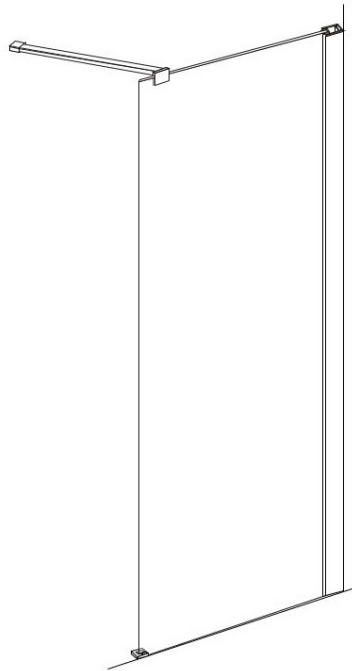


# USE INSTRUCTION HANDBOOK

## ISTRUZIONI DI MONTAGGIO



SIZE: 90\*190CM  
SIZE: 100\*190CM  
SIZE: 110\*190CM




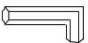


## Important Reminder

1. Please install shower enclosure in strict accordance to the instructions provided. Failure to adhere will affect the operational performance.
2. Before installation please check all parts against the parts list.
3. Please handle glass with care and avoid impacts to prevent damage.
4. Please wait a minimum of 24 hours after installation before first use.


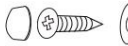


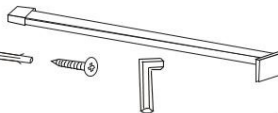


## Notice

1. During installation and 24 hours after please keep children, elderly or disabled persons away from the shower enclosure.
2. Do not climb or hang heavy things on the shower enclosure.
3. Avoid knocks and impacts to the glass at all times.
4. Caution shower enclosure can be slippery when in use.
5. A non-abrasive detergent should be used with a soft cloth for cleaning.
6. Apply silicone correctly to prevent water leakage.
7. Keep the tray clean, avoid hair and sundries to jam the drain.

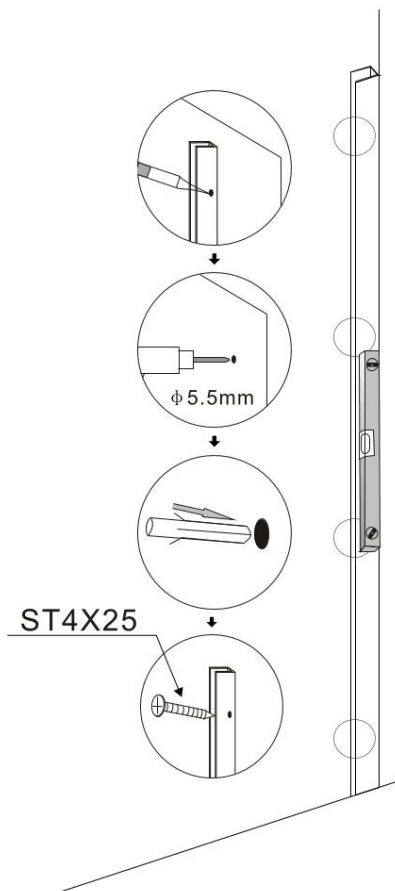
## Tools:

 Drill	 Tape measure	 Cross screw driver
 Hexagon ring spanner	 Hammer	 Silicone Gun

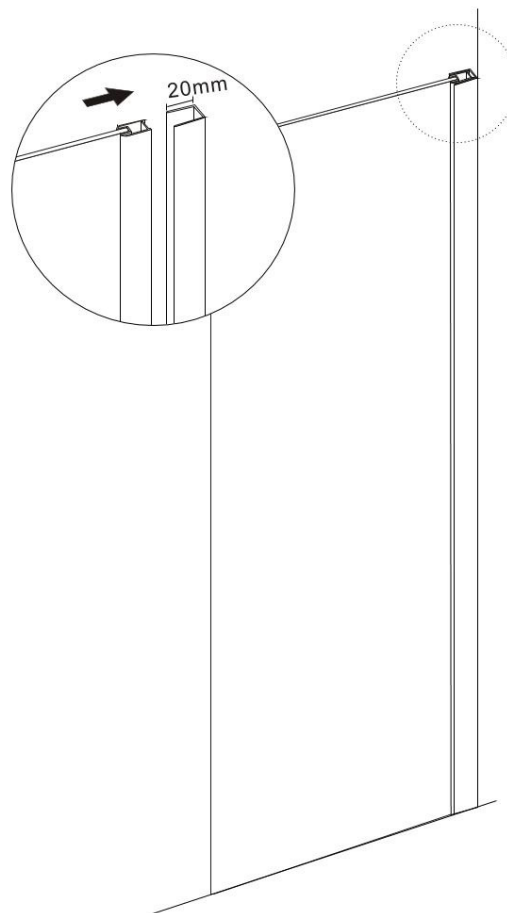
## Part list

 Screws ST4X25 X4	 Screws ST4X12 X4	 Flathead screws ST4X35 X2
 Wall plug X6	 X1	
 Wall Profile X1	 X1	

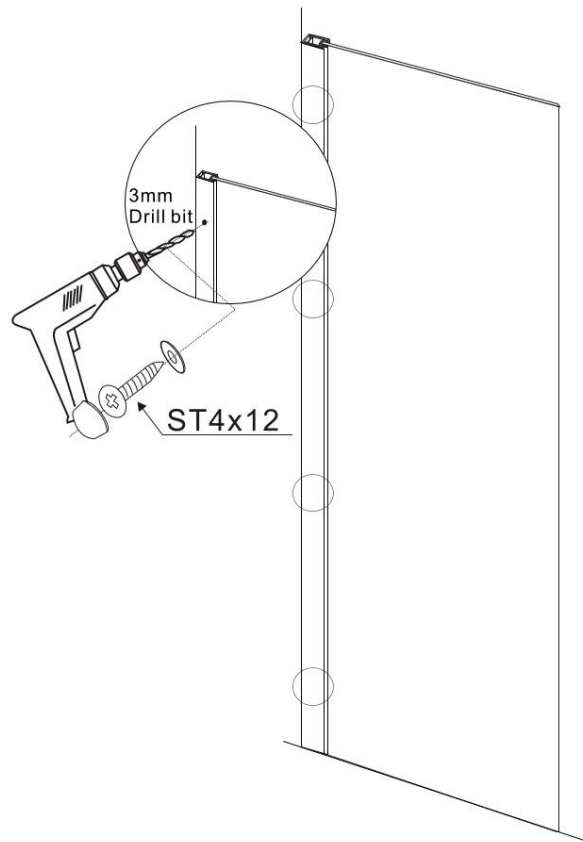
## STEP1:



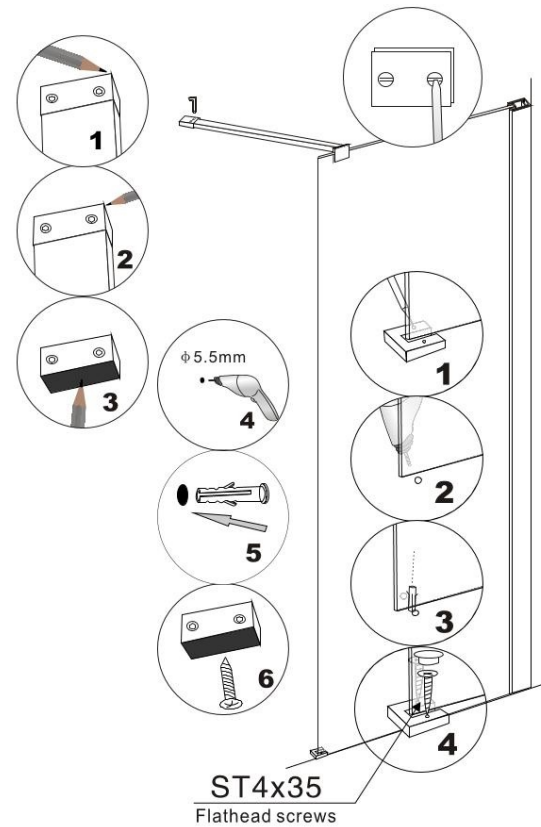
## STEP2:



### STEP3:



### STEP4:



**STEP5:**  
**Silicone Application**



- Apply silicone sealant to all joints between wall profiles and tray.
- Do not use the enclosure for 24hours, to allow the silicone to dry completely.