

Made in CHINA by / Fabriqué en CHINE par / Hergestellt in CHINA von /  
Gemaakt in CHINA door / Fabricado en CHINA por / Prodotto in CINA da /  
Fabricado na CHINA por / Vyrobené v ČINE od / Vyrobené v ČINE od /  
Wyprodukowane w CHINACH przez: **Varan Motors**



Imported by / Importé par / Importiert durch / Geïmporteerd door / Importado  
por / Importato da / Importado por / Importované spoločnosťou / Dovezeno  
spoločnosťou / Importowane przez:

**BCIE SARL**  
**15 rue de Mensdorf,**  
**L-5380 Uebersyren,**  
**Luxembourg,**  
**+352/26908036**



"© 2024 BCIE SARL. All rights reserved."  
"© 2024 BCIE SARL. Tous droits réservés."  
"© 2024 BCIE SARL. Alle Rechte vorbehalten."  
"© 2024 BCIE SARL. Alle rechten voorbehouden."  
"© 2024 BCIE SARL. Todos los derechos reservados."  
"© 2024 BCIE SARL. Tutti i diritti riservati."  
"© 2024 BCIE SARL. Todos os direitos reservados."  
"© 2024 BCIE SARL. Všetky práva vyhradené."  
"© 2024 BCIE SARL. Všechna práva vyhrazena."  
"© 2024 BCIE SARL. Wszelkie prawa zastrzeżone."



# **CABLE HOIST**

## **Original Operating Instructions**

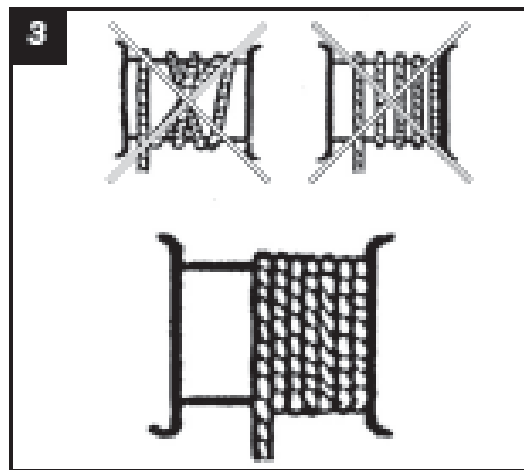
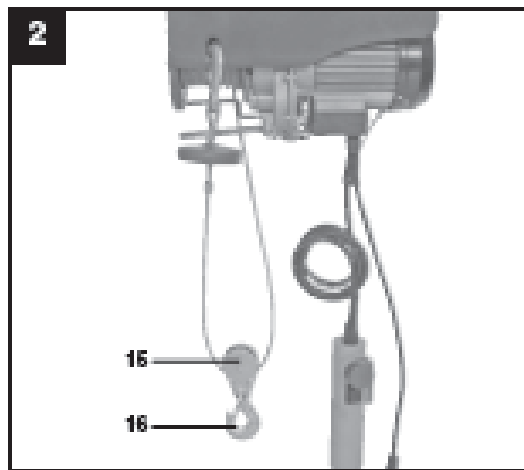
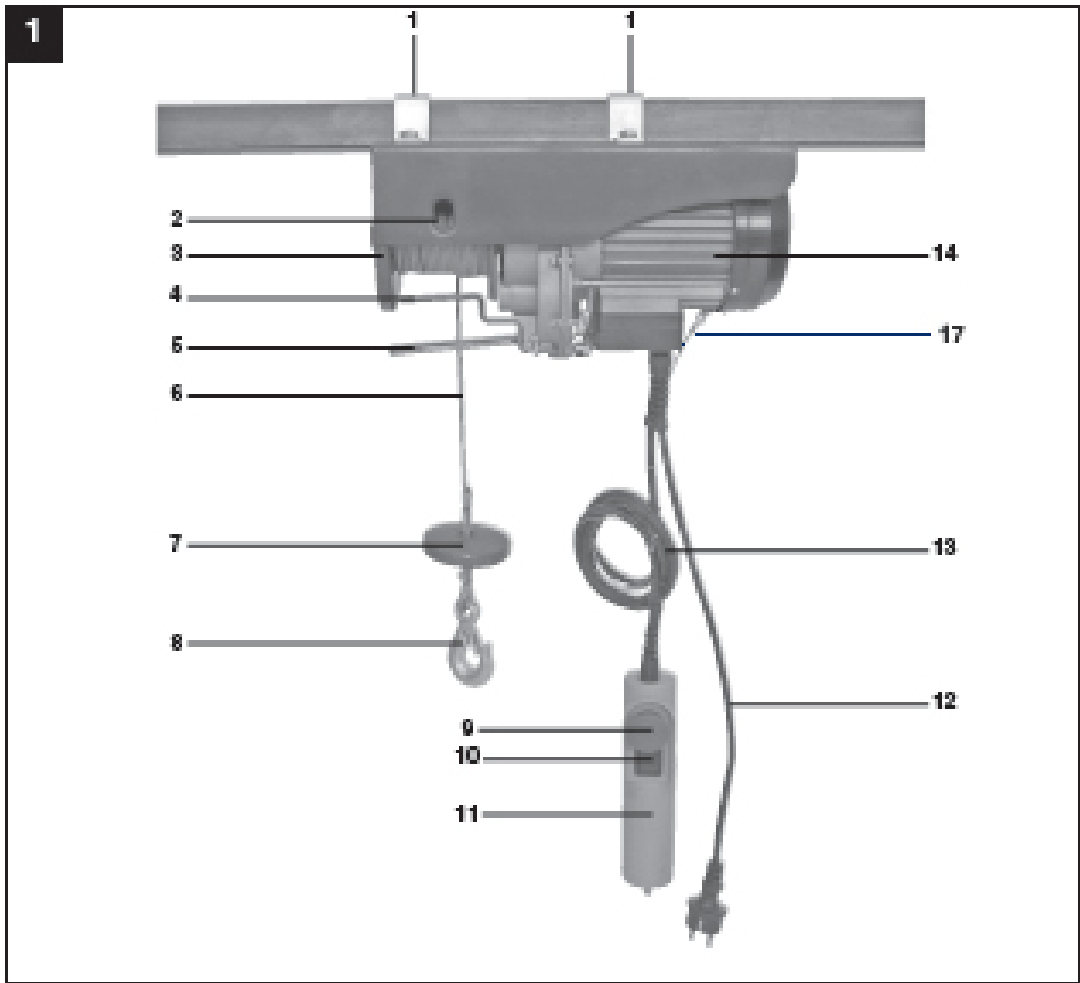


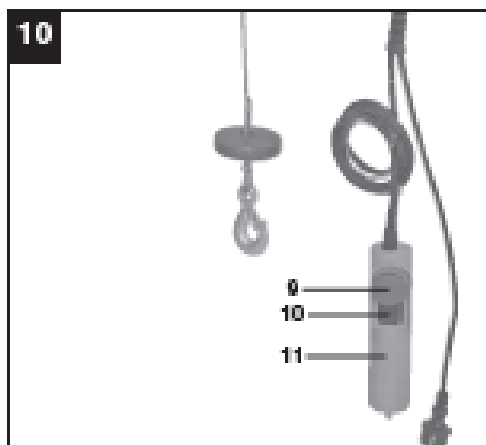
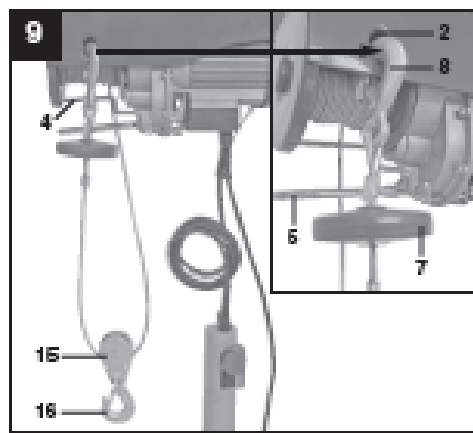
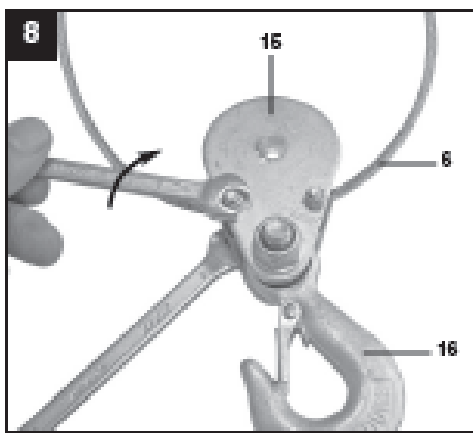
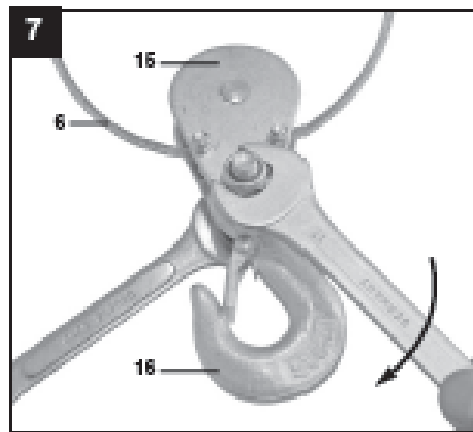
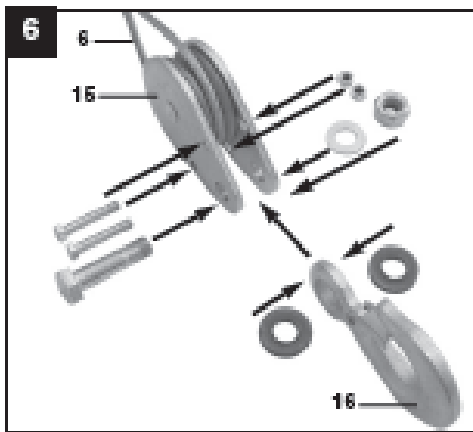
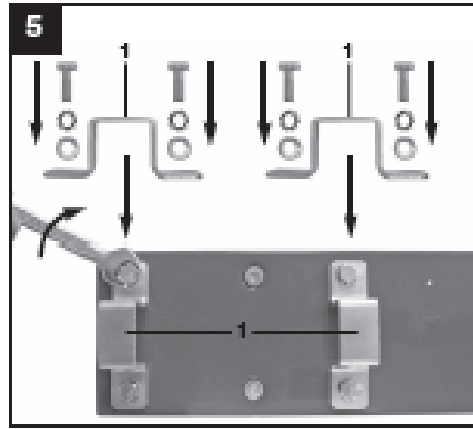
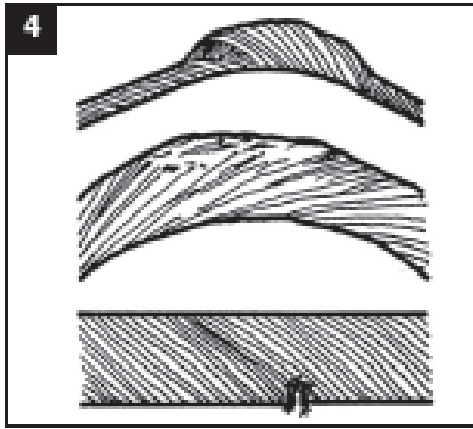
**PA200M    PA300M**  
**PA400M    PA500M**  
**PA600M    PA800M**  
**PA1000M**

**BCIE SARL**

Gruuss-strooss 28,  
L-9991 Weiswampach

**RoHS** 





## **Important!**

When using this equipment, a few safety precautions must be observed to avoid injuries and damage. Please read the complete operating manual with due care.

Keep this manual in a safe place, so that the information is available at all times.

If you give the equipment to any other person, give them these operating instructions as well.

We accept no liability for damage or accidents which arise due to non-observance of these instructions and the safety information.

### **1. Safety regulations**

**Never use the machine to transport persons!**

**Never stand or work under the hoisted load!**

## **CAUTION!**

**Read all safety regulations and instructions.**

Any errors made in following the safety regulations and instructions may result in an electric shock, fire and/or serious injury.

**Keep all safety regulations and instructions in a safe place for future use.**

1. Always check that the mains voltage is identical to the voltage quoted on the rating plate. In the event that the mains voltage is not suitable, it may cause the machine to work abnormally and thus result in personal injury.
2. The power supply must be earthed and be secured by a residual current operated circuit breaker (RCCB).
3. Keep the immediate working environment clean. Disordered work spaces and workbenches can cause accidents.
4. Protect yourself from electrical shock. Avoid physical contact with grounded surfaces (e.g. pipes, heat radiators, stoves or refrigerators).
5. Do not attempt to lift loads that exceed the rated load (see the data plate).  
Do not use 2 or more machines to load same object.
6. Always wear safety equipment (such as rubber gloves, non-slip footwear, hearing and hair protection and etc.) when working.  
Never wear loose clothing or jewelry; this could be caught by movable parts of the machine.
7. Use the machine only for the purpose for which it is designed.  
Never lift personnel using the cable hoist.
8. Only be used indoors.  
This cable winch can't be used out-doors, it is suitable for using indoors.
9. Do not pull the power cable in order to pull out the plug. Protect the power cable from heat, oil and sharp edges.
10. Never attempt to raise fixed or jammed loads.  
It is prohibited, to lift a weight crookedly, or to pull it along the floor.  
It is prohibited, to transport hot molten masses.
11. Prohibit unwanted start-ups on loose steel rope.  
Be sure to hoist the loads with lowest speed from the ground.  
And the cable should be tense but not unwound when start loading from the ground.
12. Pull out the plug when the cable hoist is not in use.

13. Keep children and other unauthorized persons away from the machine.
14. Do not pull loads sideways or from one side. Do not allow the load to swing.
15. Ensure that the hook moves in the same direction as shown on the control switch.
16. The end switch (#5, Automatic stop mechanism lever) is not allowed to be used as an off-switch or be dismantled, which is a safety device to prevent that the weight is lifted over the boundary.
17. Do not leave the load hanging in the air long-term, to prevent the deformation of the pieces. While the machine is in operation do not carry out any repairs or inspections.
18. Check the cable hoist at regular intervals for signs of damage. The control switch must be in good condition.
19. Store the cable winch in a proper manner when it is not in use.  
Store the machine at a dry, high or lockable place, out of the reach of children including plastic bags, boxes, Styrofoam and etc.
20. Have repair and service work carried out only by authorized workshops by a trained electrician. Repair work must only be carried out by a trained electrician, otherwise the machine may cause accidents.
21. Do not switch the machine on and off quickly (inching mode).
22. Always concentrate fully when operating the cable hoist.
23. Do not stand or work under the raised load.
24. Depending on the frequency of use, after 20 hours of continuous operation, the machine must be taken in for a thorough maintenance (at least once a year).
25. If the brakes stop functioning and the load lowers quickly, one should press the off-switch immediately and then the On-switch.  
After unloading, please send the machine to a qualified professional for repairs.



**Push the E-stop button on time in case of danger or emergency.  
To release the button turn it in arrow direction.**

## **2. Layout (Fig. 1-2)**

1. Fastening clamp
2. Fastening hole for hook
3. Drum
4. Lever for maximum cable length
5. Automatic stop mechanism lever
6. Steel cable
7. Cut-out weight
8. Load Hook
9. Emergency Stop switch
10. Pushbutton

11. Remote control
12. Power cable
13. Control cable
14. Motor
15. Return roller
16. Additional hook
17. Cable for remote control

### 3. Technical data

Type	PA200M	PA300M	PA400M	PA500M	PA600M	PA800M	PA1000M
Rated voltage	230V~	230V~	230V~	230V~	230V~	230V~	230V~
Rated frequency	50 Hz	50 Hz	50 Hz	50 Hz	50 Hz	50 Hz	50 Hz
Power consumption	500W	550W	1000W	1000W	1050W	1300W	1300W
Rated current	2.18A	2.4A	4.35A	4.35A	4.56A	5.65A	5.65A
Rated load -for single cable -for double cable	100kg 200kg	150kg 300kg	200kg 400kg	250kg 500kg	300kg 600kg	400kg 800kg	500kg 999kg
Rated speed -for single cable -For double cable	8m/min 4m/min	8m/min 4m/min	8m/min 4m/min	8m/min 4m/min	8m/min 4m/min	9m/min 4.5m/min	8m/min 4m/min
Hoisting height -for single cable -For double cable	12m 6m	12m 6m	12m 6m	12m 6m	12m 6m	12m 6m	12m 6m
Cable diameter	3.0 mm	3.0 mm	4.0 mm	4.0 mm	4.5 mm	5.0 mm	6.0 mm
Protection class	IP54	IP54	IP54	IP54	IP54	IP54	IP54
Motor category	M1	M1	M1	M1	M1	M1	M1
Operation mode	S3 20%-10 min	S3 20%-10 min	S3 20%-10 min	S3 20%-10 min	S3 20%-10 min	S3 20%-10 min	S3 25%-10 min
Tensile strength of the steel cable	1870 N/mm <sup>2</sup>	1870 N/mm <sup>2</sup>	1870 N/mm <sup>2</sup>	1870 N/mm <sup>2</sup>	1870 N/mm <sup>2</sup>	1960 N/mm <sup>2</sup>	1870 N/mm <sup>2</sup>
Insulation class	B	B	B	B	B	B	B
Protection rating	I	I	I	I	I	I	I
Sound pressure level (LWA)	71 dB(A)	71 dB(A)	71 dB(A)	71 dB(A)	71 dB(A)	71 dB(A)	71 dB(A)
Weight	10.5 kg	10.6 kg	16.2 kg	16.2 kg	16.5 kg	19.2 kg	26 kg

Operating mode S3 – 20% - 10 minutes: S3 =Intermittent mode without influencing the starting process. This means that the maximum operating period over a time of 10 minutes is 20% (2.0 minutes).

- Only use appliances which are in perfect working order.
- Service and clean the appliance regularly.
- Adapt your working style to suit the appliance.
- Do not overload the appliance.
- Have the appliance serviced whenever necessary.
- Switch the appliance off when it is not in use.
- Wear protective gloves.

### 4. Proper use

The cable hoist is designed for lifting and lowering loads in enclosed areas commensurate with

the machine's capacity.

The equipment is to be used only for its prescribed purpose. Any other use is deemed to be a case of misuse. The user / operator and not the manufacturer will be liable for any damage or injuries of any kind caused as a result of this.

Please note that our equipment has not been designed for use in commercial, trade or industrial applications.

Our warranty will be voided if the machine is used in commercial, trade or industrial businesses or for equivalent purposes.

## **5. Before starting the equipment**

- Before you connect the equipment to the mains supply make sure that the data on the rating plate are identical to the mains data.
- Always pull out the power plug before making adjustments to the equipment.
- Please make no-loading test before start-up operation at first, and please check:
  - a, The flexibility of up/down operating switch to insure the controlling of the hoisting and lowering of load hook..
  - b, The flexibility of up limit bracket to make sure the cut-off of circuit.
  - c. The flexibility of down limit bracket to make sure the cut-off circuit when the steel cable is nearly used up.
  - d, Any abnormal sounds when start-up operation.
  - e, The steel rope is possible damaged (split or bent), or reach 20 hours after using, change the rope immediately.
- The cable hoist is not suitable for transporting hot and/or molten masses and in addition it is not suitable for use at low temperatures or in aggressive atmospheres.
- It is in mechanical group M1.
- Read and absorb the operating instructions before you use the cable hoist.
- Ensure that the operator knows how the machine works and how it should be operated.
- The user should always operate as set out in the operating instructions.
- The cable hoist is not designed for continuous operation. Its mode of operation is: Intermittent mode without influencing the starting process.
- The rated capacity of the machine does not vary due to the position of the load.
- Please inspect the hook before operation is possible damaged or distortion replace it in time.
- The service life of the cable hoist is approximately 8000 cycles (excluding wearing parts). When the hoist has completed 8000 cycles, all its mechanical parts must be checked and overhauled.
- Operation using a residual current protective device (Red Emergency Stop Switch) offers additional protection under danger and in emergency circumstances, then screw the switch head as the arrow direction to recover operation after remove the damages.
- Please be sure to the enough lubricant on parts. Daub the lubricant on the load hook, cable drum shaft, gear box, and bearing every half a year.

## **6.1 Unpacking**

After opening the packaging, inspect the frame, the steel cable, the hook and the electric



control mechanism for signs of possible transit damage.

## 6.2 Assembly (Fig. 5)

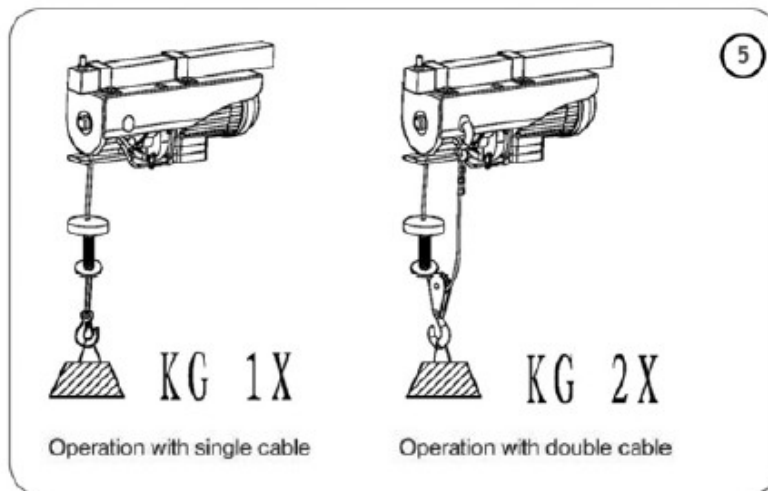
The cable hoist is fitted with two fastening clamps (1) with which it has to be fastened to a rectangular tube. The dimensions of the arm must conform with the size of the fastening clamps and must be capable of supporting twice the rated load. We recommend that you seek advice from a qualified technician.

All screws must be tightened correctly. A qualified technician should check the anchoring of the arm before the machine is started.

## 6.3 Block and tackle function (Fig. 6 – 9)

The cable hoist is fitted with a return roller (15) and an additional hook (16). If these parts are used correctly, the cable hoist can lift twice its rated load.

Fit the return roller (15) and additional hook (16) as shown in Figure 6 – 8. The permanent hook (8) must be attached to the fastening hole (2) (Fig. 9). The load is now raised by two steel cables, which means that the cable hoist can lift twice its rated load.



## 7. Operation

### 7.1 Information for operation

1. Remove the adhesive tape from the drum (3) before using the hoist for the first time.
2. The value of the A-rated noise emissions at the operator's position is less than 70 dB.
3. Supply voltage: 230 V  $\pm$  10%, 50 Hz  $\pm$  1%.
4. The cable hoist must be operated in ambient temperatures of between 5°C and 40°C with a relative humidity of less than 90%. Height above sea level: max. 1,000 m.
5. The temperature for transport and storage may be between -25°C and 55°C. The maximum temperature must not exceed 70°C.
6. The user should lift the load off the ground at the slowest possible speed. The cable should

be taut when the load is raised.

7. The motor (14) for the cable hoist is fitted with a thermostat switch. Whilst the cable hoist is operating, the motor (14) may therefore stop. It will restart automatically when it has cooled down.
8. The electric cable hoist is not fitted with a rated power limiter. You should therefore not repeat attempts to lift a load if the overload trip is limiting the hoist's operation. In this case the load exceeds the rated capacity of the cable hoist.
9. Do not leave any suspended loads unsupervised without first taking the appropriate safety precautions.
10. Fit the machine with a 10 A fuse or a 10 A residual current operated circuit breaker (RCCB) to protect the circuit
11. Do not use the lever (4/5) as a routine stopping device. It should only be used to stop the machine in an emergency.
12. Before you start, ensure that the steel cable (6) is correctly wound around the drum (3) and that the spacing between the winds is smaller than the steel cable (Fig. 3)
13. Ensure that the load is correctly secured to the hook (8) or, if you are using the block and tackle, the additional hook (16) and always maintain a safe distance from the load and the steel cable (6).

## **7.2 Operation (Fig. 9)**

- Check whether the Emergency Stop switch (9) is pressed. Turn the red stop switch clockwise to release it.
- Press the pushbutton ▲ (10) to raise the load.
- Press the pushbutton ▼ (10) to lower the load.
- Automatic stop mechanism lever (5): When the maximum lifting height has been reached, the cut-out weight (7) presses the lever (5) upwards.  
This trips a limit switch after which the load cannot be raised any further.
- Lever for maximum cable length (4): When the load has reached its lowest possible position, a limit switch is tripped which makes it impossible to lower the load any further. This limit switch also prevents the cable hoist operating in the wrong direction (hook moving in the opposite direction to the arrow shown on the control switch).
- The cable hoist will stop if the Emergency Stop switch (9) is pressed.
- In an emergency, immediately press the  
Emergency Stop switch (9) to stop the cable hoist. The cable hoist cannot be operated if the Emergency Stop switch has been pressed.

### **Intermittent rating**

This machine is designed for operating type S3 20% - 10 min (periodic intermittent operation). The relative duty cycle is 20%, which means that the device can be operated at rated load for 2.0 minutes during each operating cycle and must then be switched off for 8.0 minutes to cool off. The device can therefore be continuously used for a duration of 20% of the total operating cycle of 10 minutes at rated load.

## **Overload**

- a) The cable winch is not suitable for continuous operation. The motor is protected from overload and overheating by a temperature switch.
- b) If the permissible operating time is exceeded, the motor temperature will increase and the temperature switch will shut the cable winch off. The temperature switch will automatically switch back on after a cooling phase.
- c) In case of a strain on the cable hoist with a lesser load, the operating time will increase and the cooling time will decrease.
- d) Attention! In case of direct exposure to sunlight, the temperature of the casing will increase significantly, which will also decrease the permissible operating time. It is therefore possible that the temperature switch will switch off after a short time period and the cable winch will shut down. Please wait until the device is cooled off.

## **8. Cleaning, maintenance and ordering of spare parts**

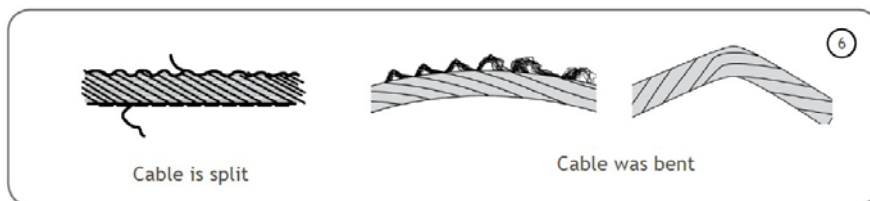
Always pull out the mains power plug before starting any cleaning work.

### **8.1 Cleaning**

- Keep all safety devices, air vents and the motor housing free of dirt and dust as far as possible.  
Wipe the equipment with a clean cloth or blow it with compressed air at low pressure.
- We recommend that you clean the device immediately each time you have finished using it.
- Clean the equipment regularly with a moist cloth and some soft soap. Do not use cleaning agents or solvents; these could attack the plastic parts of the equipment. Ensure that no water can seep into the device.

### **8.2 Maintenance**

A check must be made every 30 cycles, as shown in Fig. 4 or below showing, to find whether the entire steel cable (6) is in good condition. If it is damaged, it must be replaced by a steel cable of the type specified in the technical data.



During assembly of the cable, it is imperative to remember the Cut-out weight (7) in order to ensure a secure limit stop.

### **8.3 Servicing**

**Important. Always ensure that the machine is not connected to the mains supply before you start any servicing work.**

- In the following: One cycle means one raising and lowering movement of a load. Periodic inspection means an inspection after 100 cycles.
- Test periodically that the limit switches on the cable hoist are in correct working order. Conduct this test as follows: When the cable has reached the maximum height, the lever on the automatic stopping mechanism (5) will be actuated. The motor (14) must then stop. (Test without a load).  
When the steel cable (6) has been unwound as far as possible, the lever for the maximum cable length (4) will be actuated. The motor (14) must then stop.
- Inspect the mains cable (12) and the control cable (13) periodically.
- The steel cable (6) and return roller (15) must be greased every 200 cycles.
- Check every 1000 cycles whether the screws for the fastening clamps (1) and return roller (15) are properly tightened.
- Check every 1000 cycles whether the hooks (8/16) and return roller (15) are in good condition.
- Check before using the cable hoist whether the Emergency Stop switch (9) and pushbuttons (10) are in perfect working order.
- Check the braking system every 1000 cycles. If the motor (14) makes any unusual noises or cannot raise the rated load, it is possible that the braking system requires an overhaul:
  - Replace damaged or worn parts and keep the service documentation relating to this in a safe place.
  - Please contact an authorized service center for any unscheduled maintenance work.

#### **8.4 Ordering replacement parts:**

Please quote the following data when ordering replacement parts:

- Type of machine
- Article number of the machine
- Identification number of the machine
- Replacement part number of the part required

#### **9. Storage**

Store the equipment and accessories out of children' reach in a dark and dry place at above freezing temperature. The ideal storage temperature is between 5 and 30 °C. Store the electric tool in its original packaging.

#### **10. Disposal and recycling**

The unit is supplied in packaging to prevent its being damaged in transit. This packaging is raw material and can therefore be reused or can be returned to the raw material system.

The unit and its accessories are made of various types of material, such as metal and plastic. Defective components must be disposed of as special waste. Ask your dealer or your local council.



Never place any electric tools in your household refuse.

To comply with European Directive 2012/19/EV concerning old electric and electronic equipment and its implementation in national laws, old electric tools have to be separated from other waste and disposed of in an environment-friendly fashion, e.g. by taking to a recycling depot.

Recycling alternative to the demand to return electrical devices:

As an alternative to returning the electrical device, the owner is obliged to cooperate in ensuring that the device is properly recycled if ownership is relinquished. This can also be done by handing over the used device to a returns center, which will dispose of it in accordance with national commercial and industrial waste management legislation. This does not apply to the accessories and auxiliary equipment without any electrical components which are included with the used device.

## Problem-Solving

Common Malfunction	Cause	Solution
The Off-On-Switch is used but the motor does not turn	<ol style="list-style-type: none"> <li>1. It is not plugged into the power supply.</li> <li>2. The wires are broken or ripped.</li> <li>3. Switch Malfunction</li> <li>4. The capacitor is burned through.</li> <li>5. End-switch has not been reset or a limit switch error</li> <li>6. The thermal switch has suffered a wire break.</li> </ol>	<ol style="list-style-type: none"> <li>1. Connect the item to the power supply.</li> <li>2. Check the wires and plug it in again to the outlet.</li> <li>3. Repair switch or change it</li> <li>4. Change your capacitor</li> <li>5. Check the end-switch and replace the limit switch.</li> <li>6. Wait until the item cools down, or replace the thermal switch.</li> </ol>
The dual-direction switch has been activated. The motor is very loud, can however not pick-up the load.	<ol style="list-style-type: none"> <li>1. The voltage offered is too small.</li> <li>2. The capacitor has become damaged.</li> <li>3. The brake is not completely open.</li> </ol>	<ol style="list-style-type: none"> <li>1. Adjust the work, depending on the power supply.</li> <li>2. Change power supply.</li> <li>3. Allow the machine to be repaired from a qualified repair service.</li> </ol>
After a power loss the brakes do not hold or the machine slips down	<ul style="list-style-type: none"> <li>• The gap between the brakes is too large.</li> <li>• The brake spring is ripped.</li> <li>• The brake disk is locked.</li> <li>• The brake disk is at the start already dirty.</li> </ul>	<ul style="list-style-type: none"> <li>• Allow the machine to be repaired from a qualified repair service.</li> </ul>
The noise of the machine becomes louder	<ol style="list-style-type: none"> <li>1. Badly oiled</li> <li>2. After a long use, the cogwheel and bearings are damaged.</li> <li>3. Badly installed or dent</li> </ol>	<ol style="list-style-type: none"> <li>1. Oil/Grease machine officially.</li> <li>2. Change the cogwheel or bearings.</li> <li>3. Check installed parts.</li> </ol>
The rope winch has too much voltage.	<ol style="list-style-type: none"> <li>1. Earthed error or no earthed.</li> <li>2. The internal connectors are touching the housing</li> </ol>	<ol style="list-style-type: none"> <li>1. Checked earthed wires and properly connect them.</li> <li>2. Check all internal connections</li> </ol>
End-switch is not functioning.	<ol style="list-style-type: none"> <li>1. The end-switch is defect</li> <li>2. End-switch is blocked</li> </ol>	<ol style="list-style-type: none"> <li>1. Switch off or change</li> <li>2. Check, repair, and change End switch</li> </ol>