

Made in CHINA by / Fabriqué en CHINE par / Hergestellt in CHINA von /  
Gemaakt in CHINA door / Fabricado en CHINA por / Prodotto in CINA da /  
Fabricado na CHINA por / Vyrobené v ČINE od / Vyrobené v ČINE od /  
Wyprodukowane w CHINACH przez: **Varan Motors**



Imported by / Importé par / Importiert durch / Geïmporteerd door / Importado  
por / Importato da / Importado por / Importované spoločnosťou / Dovezeno  
spoločnosťou / Importowane przez:

**BCIE SARL**  
**15 rue de Mensdorf,**  
**L-5380 Uebersyren,**  
**Luxembourg,**  
**+352/26908036**



"© 2024 BCIE SARL. All rights reserved."  
"© 2024 BCIE SARL. Tous droits réservés."  
"© 2024 BCIE SARL. Alle Rechte vorbehalten."  
"© 2024 BCIE SARL. Alle rechten voorbehouden."  
"© 2024 BCIE SARL. Todos los derechos reservados."  
"© 2024 BCIE SARL. Tutti i diritti riservati."  
"© 2024 BCIE SARL. Todos os direitos reservados."  
"© 2024 BCIE SARL. Všetky práva vyhradené."  
"© 2024 BCIE SARL. Všechna práva vyhrazena."  
"© 2024 BCIE SARL. Wszelkie prawa zastrzeżone."

# Wire Rope Pulling Hoist

## OWNER'S MANUAL



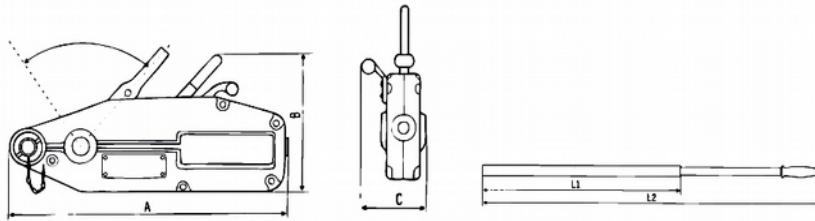
### Assembly and Operation Instructions

Read carefully and understand RULES FOR SAFE OPERATION and instructions before operating. Failure to follow the safety rules and other basic safety precautions may result in serious personal injury.

## INTRODUCTION

This Wire Rope Pulling Hoist is a versatile, portable and easy to operate tool for pulling, lifting, lowering and securing loads.

- The four-link clamping system of the front and back grip-jaws inside the Rope Puller move the wire rope by means of pumping the Operating Handle or the Reversing Handle manually.
- The upper grip jaw and the lower grip jaw of the pliers will always remain in the clamping state between the pliers and wire rope because of the tension of the spring.
- The action of the abrasive force of the clamping system and the pulling of the load causes the four-link clamping mechanism to always incline backward in the direction of the load, clamping the wire rope tightly in the process.
- With the use of other connecting levers, the front jaw and the back jaw will clamp the loading wire rope alternately, sliding it through the upper and lower jaw of another pair of jaws to lift and lower the load.
- The Wire Rope Pulling Hoist features alternate working sensitivity of tension springs, resulting in less loss of the travel, high mechanical efficiency and less rope wear.
- The steel pliers have a reliable working capacity in every position.
- The Operating Handle has a shear pin that will break when pulled too aggressively or overloaded more than 1.25 times the rated load. Be sure to adhere to the rated load when using
- The Wire Rope Pulling Hoist.

**TECHNICAL SPECIFICATIONS**


Model		HX-800
Rated capacity	(lbs.)	1760
Rated forward hand power	(lbs./force)	76.7
Rated forward travel	(in.)	≥2
Rope diameter	(in.)	5/16
Wire rope safety factor load capacity		5 X
Safety factor & static load capacity		4 X
Max. traveling load	(lbs.)	2645
Max. overall size (inches)	A	17
	B	9
	C	2.5
L2	(in.)	31.5

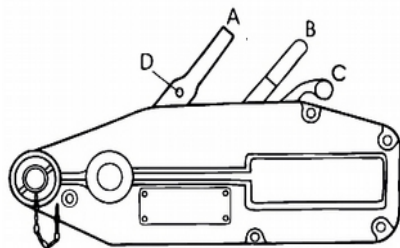


Fig.1

**OPERATION (Refer to Fig. 1 and Parts List)**

Inserting Wire Rope (33):

1. Position Operating Handle (A), Reversing Handle (B) and Rope Release Lever (C) as indicated in Fig. 1.
2. Hold Rope Puller securely with one hand, firmly grasping the Rope Release Lever and pushing it forward and up to a notched lock position. The pinchers inside the Rope Puller are now open for the Wire Rope.
3. Feed Wire Rope into the Guide T ube (29) and all the way through the Rope Puller body . After ensuring the exit is not obstructed and the Wire Rope emerges in the front, it can be pulled to the length needed. Firmly grasp the Release Lever and carefully lift it from its notched lock position and allow it to spring back to its natural position. The Wire Rope should now be tightly clamped inside the Rope Puller.
4. Attach Tube Handle (30) to Handle A. Pumping the Handle forward and back advances the Wire Rope forward.
5. Attach Tube Handle to Handle B. Pumping the Handle forward and back pulls the Wire Rope backward out of the Rope Puller.
6. When the job is complete, be sure the Wire Rope is free of its load. Repeat Step 1 to pull Wire Rope out of the Rope Puller. Release Lever should be in its natural position before starting Rope Puller.

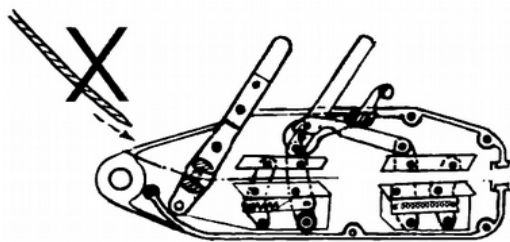
## **WARNING:**

Before operating the Rope Puller, check all screws. If any are loose, tighten them. When pumping one of the handles, make sure the other handle moves intandem. The Wire Rope must always be clean, free of grease and oil, and not twisted, cracked or fra yed, otherwise the Rope Puller will not work properly.

## **CAUTION:**

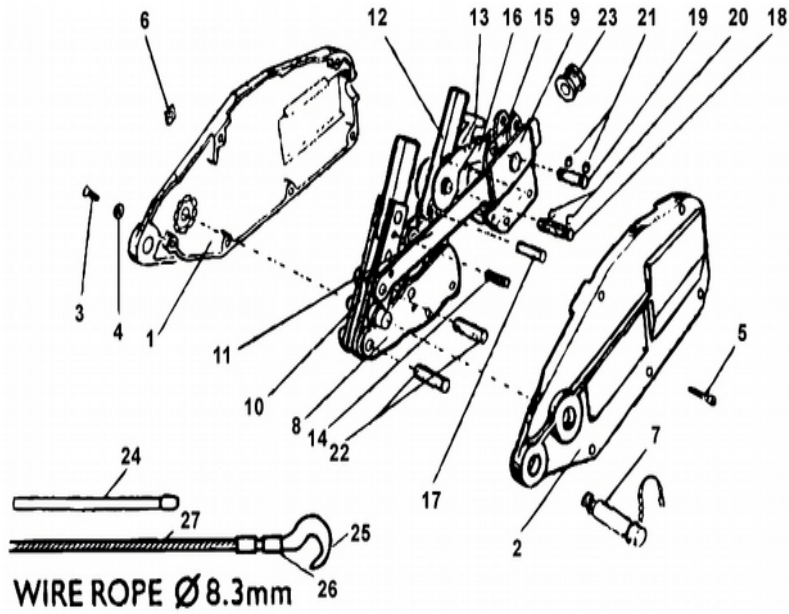
- 1) Never pull all the handles at the same time. Don't pull the Release Lever after the load is being lifted.
- 2) Never pull the handle aggressively, otherwise the Shear Pin (16) will be damaged. If the Shear Pin breaks, do not use any other kind of safety bolt other than one provide by us.
- 3) Never use a pulling handle whose length has been changed or modified by any means.
- 4) Never stand on or work beneath the load. When working in a hanger frame, the load's total supporting weight should be reduced to one third rated power of the Rope Puller and the worker in the hanger frame should take precautions to protect himself in the event of an accident.
- 5) Never let the load swing around when it is being lifted.
- 6) While working, the anchor point should be strong enough to support the load to prevent any accidents from happening.
- 7) Keep the Rope Puller clean and don't let dust, dirt, or any other material collect inside the machine. If severely clogged, the Rope Puller must be disassembled and cleaned. When reassembling, lubricate moving parts to keep them working properly.
- 8) Never use a Wire Rope other than the one designed to be used with this Rope Puller . When any part of the Wire Rope has been damaged, twisted, frayed or worn away , a new one from the manufacturer should be used.
- 9) Never feed the rope from the head of the Rope Puller (see below) or use the hook in the direction it was not intended. The Rope Puller is designed to clamp the Wire Rope in one direction only. If this is not followed, accidents and/or injuries may occur. While working, the anchor point should be strong enough to support the load to prevent any accidents.

Fig.2



## **DIAGRAM AND PART LIST**

Fig.3



Part#	Description
1	Left Side Plate
2	Right Side Plate
3	Hex-Bolt
4	Spring Washer
5	Hex-Bolt
6	Hex-Net
7	Anchor Bolt
8	Front Jaw Block
9	Back Jaw Block
10	Operating Handle
11	Long Connecting Rod
12	Reversing Handle
13	Release lever
14	Shear Pin

Part#	Description
15	Upper Grip Jaw
16	Connecting Rod
17	2 <sup>nd</sup> Pin
18	3 <sup>rd</sup> Pin
19	4 <sup>th</sup> Pin
20	Bushings
21	Bushings
22	Crank axle
23	Guide Tube of Wire Rope
24	Tube Handle
25	Hanging Hook
26	Rivet Buckle
27	Wire Rope