

Made in CHINA by / Fabriqué en CHINE par / Hergestellt in CHINA von /
Gemaakt in CHINA door / Fabricado en CHINA por / Prodotto in CINA da /
Fabricado na CHINA por / Vyrobené v ČINE od / Vyrobené v ČINE od /
Wyprodukowane w CHINACH przez: **Varan Motors**



Imported by / Importé par / Importiert durch / Geïmporteerd door / Importado
por / Importato da / Importado por / Importované spoločnosťou / Dovezeno
spoločnosťou / Importowane przez:









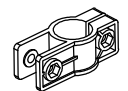
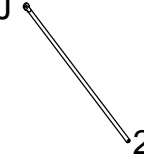
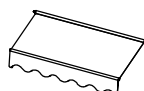





BCIE SARL
15 rue de Mensdorf,
L-5380 Uebersyren,
Luxembourg,
+352/26908036



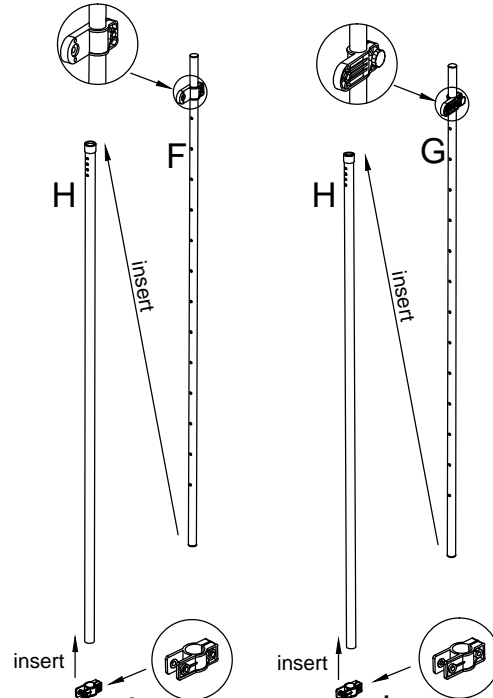
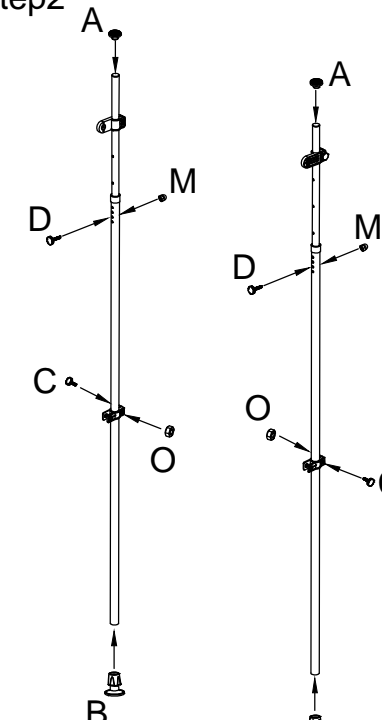
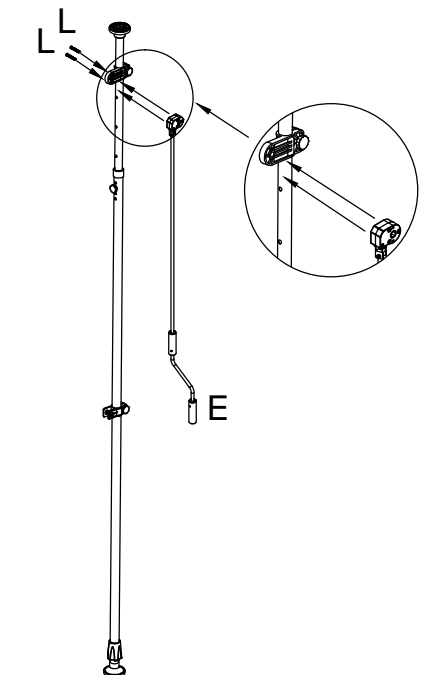
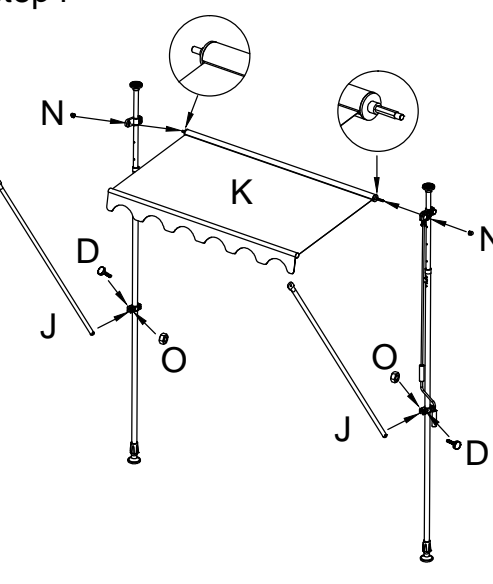
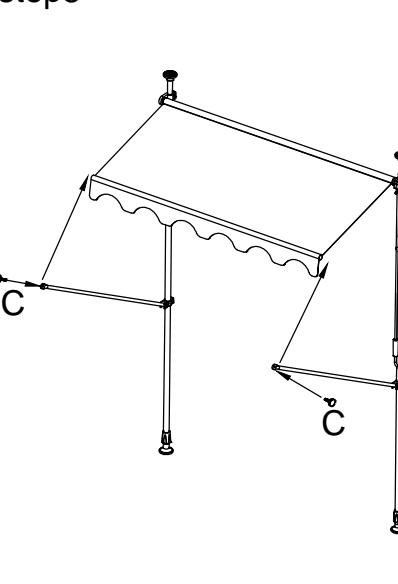
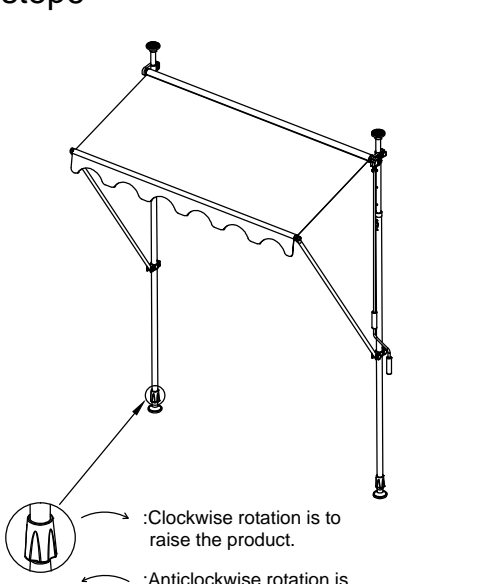

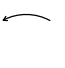
"© 2024 BCIE SARL. All rights reserved."
"© 2024 BCIE SARL. Tous droits réservés."
"© 2024 BCIE SARL. Alle Rechte vorbehalten."
"© 2024 BCIE SARL. Alle rechten voorbehouden."
"© 2024 BCIE SARL. Todos los derechos reservados."
"© 2024 BCIE SARL. Tutti i diritti riservati."
"© 2024 BCIE SARL. Todos os direitos reservados."
"© 2024 BCIE SARL. Všetky práva vyhradené."
"© 2024 BCIE SARL. Všechna práva vyhrazena."
"© 2024 BCIE SARL. Wszelkie prawa zastrzeżone."

INSTRUCTION MANUAL

vertical sunshade(150CM)




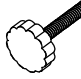




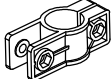
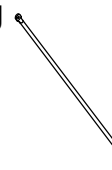


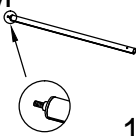
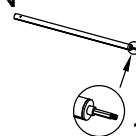
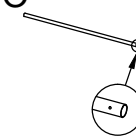
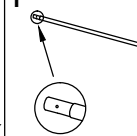
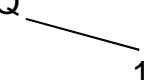






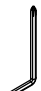
A  2x	B  2x	C  4x	D  4x	E  1x	F  1x	G  1x	H  2x
I  2x	J  2x	K  1x	L  2x	M  2x	N  2x	O  4x	P  1x

From step 1 to 4, the product can be installed on the ground, and from step 5 to 6, it should be installed vertically to the ceiling by adjusting the height of F,G and rotating the upper part of B .

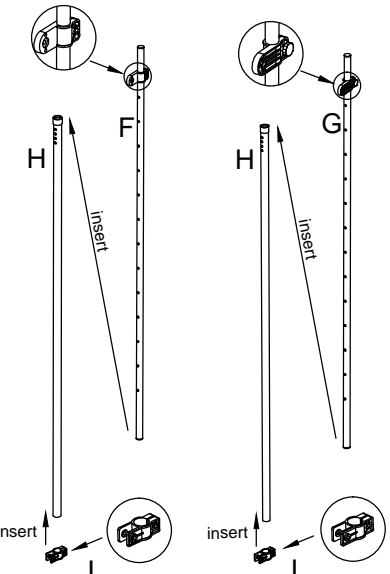
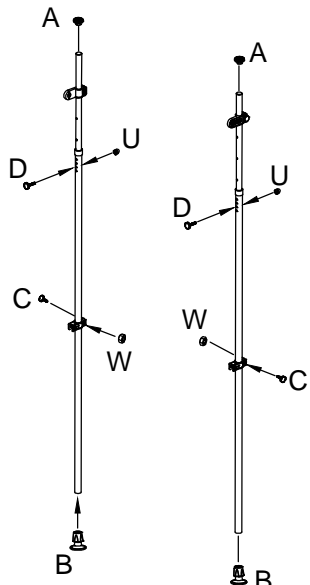
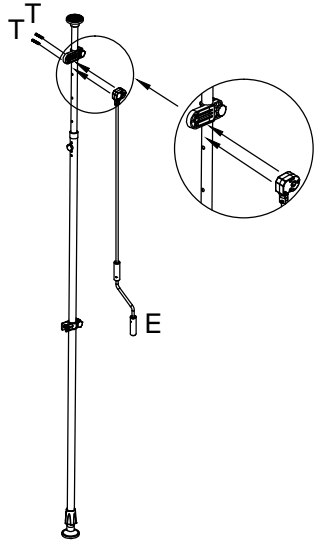
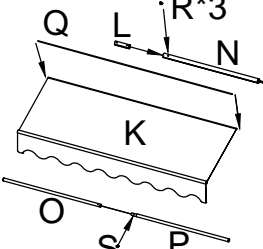
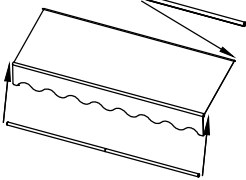
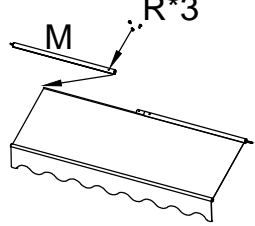
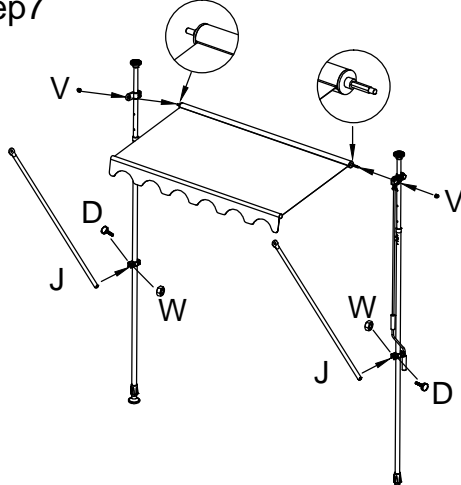
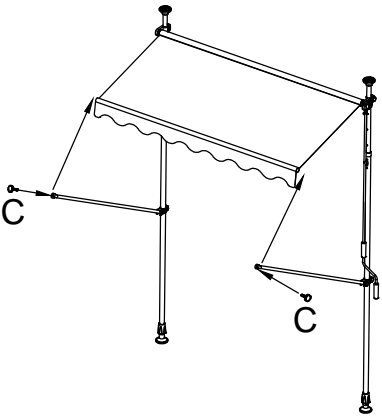
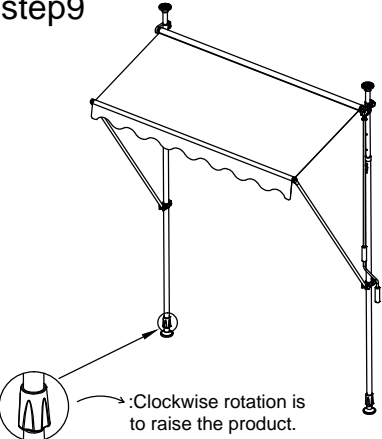


step1 	step2 	step3 
step4 	step5 	step6  <p>  :Clockwise rotation is to raise the product.  :Anticlockwise rotation is to reduce the product. </p>

INSTRUCTION MANUAL

vertical sunshade(200/250/300CM)

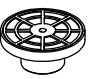




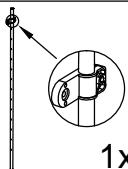
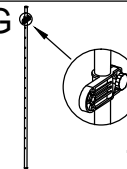
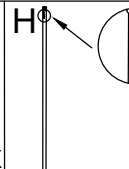
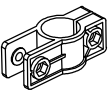
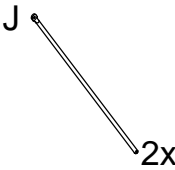
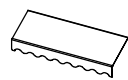

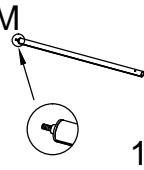
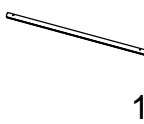
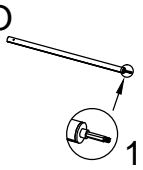
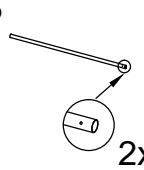
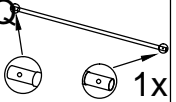
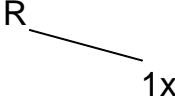







A  2x	B  2x	C  4x	D  4x	E  1x	F  1x	G  1x	H  2x
I  2x	J  2x	K  1x	L  1x	M  1x	N  1x	O  1x	P  1x
Q  1x	R  6x	S  1x	T  2x	U  2x	V  2x	W  4x	X  1x

From step 1 to 7, the product can be installed on the ground, and from step 8 to 9, it should be installed vertically to the ceiling by adjusting the height of F,G and rotating the upper part of B .

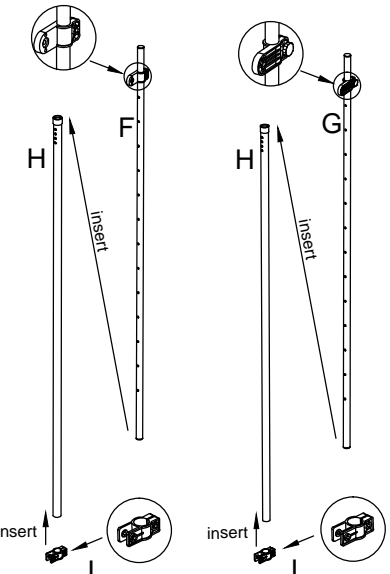
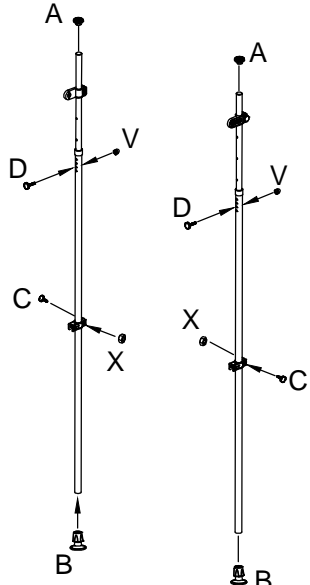
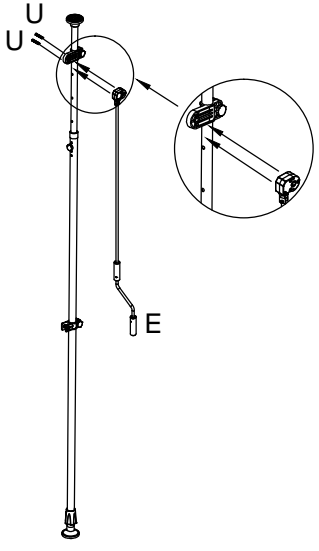
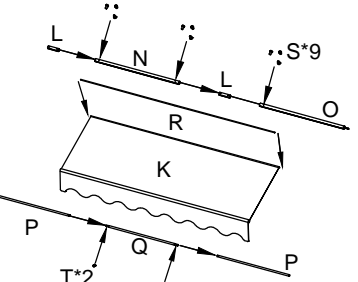
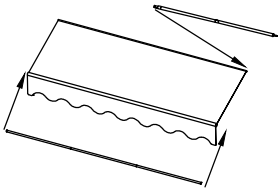
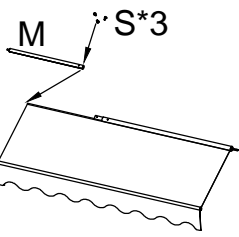
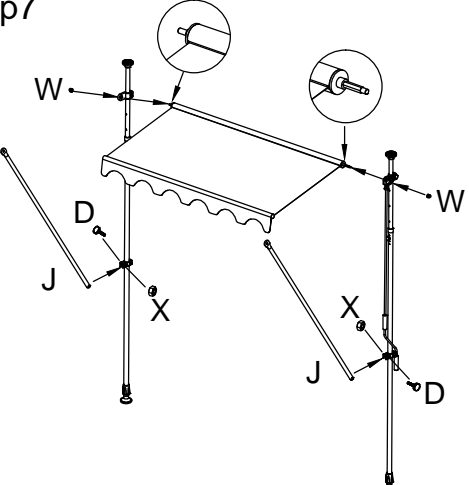
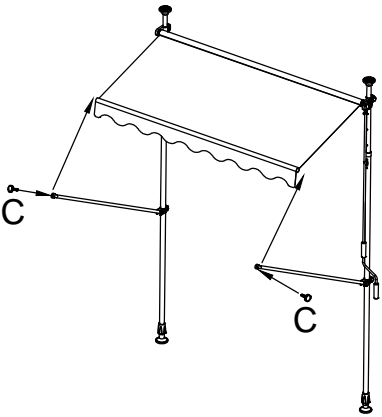
<p>step1</p> 	<p>step2</p> 	<p>step3</p> 
<p>step4</p> 	<p>step5</p> 	<p>step6</p> 
<p>step7</p> 	<p>step8</p> 	<p>step9</p>  <p>  :Clockwise rotation is to raise the product.  :Anticlockwise rotation is to reduce the product. </p>

INSTRUCTION MANUAL

vertical sunshade(350/400CM)

A  2x	B  2x	C  4x	D  4x	E  1x	F  1x	G  1x	H  2x	
I  2x	J  2x	K  1x	L  2x	M  1x	N  1x	O  1x	P  2x	
Q  1x	R  1x	S  12x	T  2x	U  2x	V  2x	W  2x	X  4x	Y  1x

From step 1 to 7, the product can be installed on the ground, and from step 8 to 9, it should be installed vertically to the ceiling by adjusting the height of F,G and rotating the upper part of B .

step1 	step2 	step3 
step4 	step5 	step6 
step7 	step8 	step9 