



VONROC®

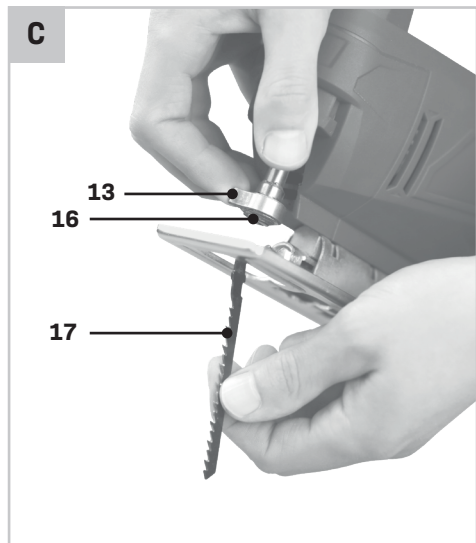
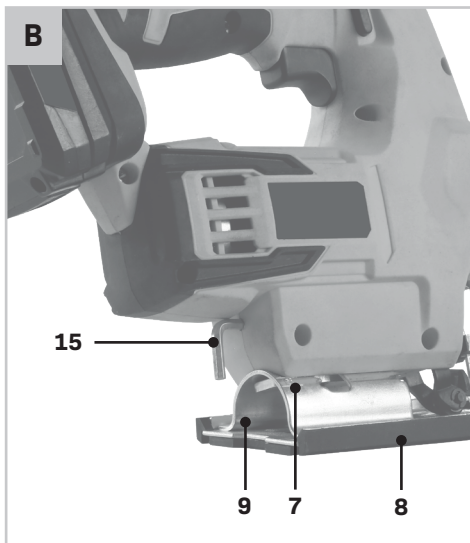
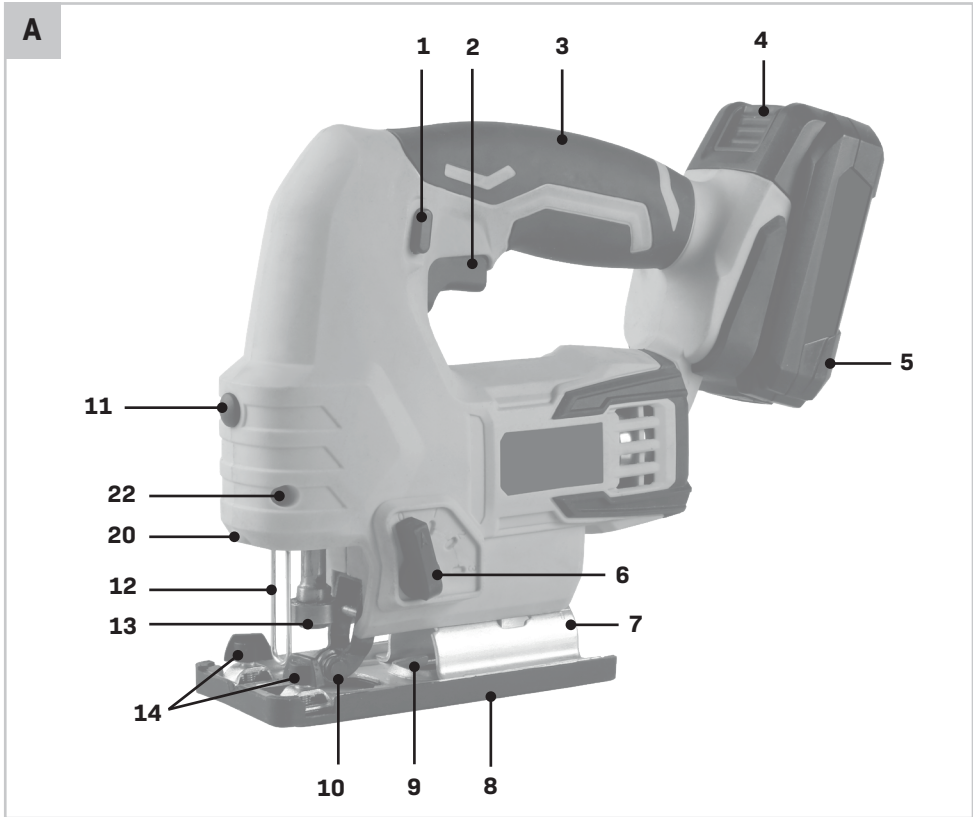
BUILD YOUR FUTURE

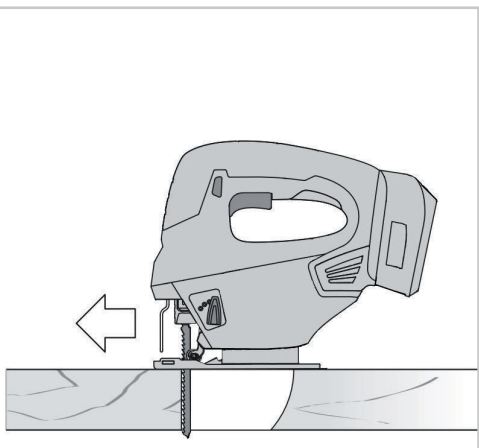
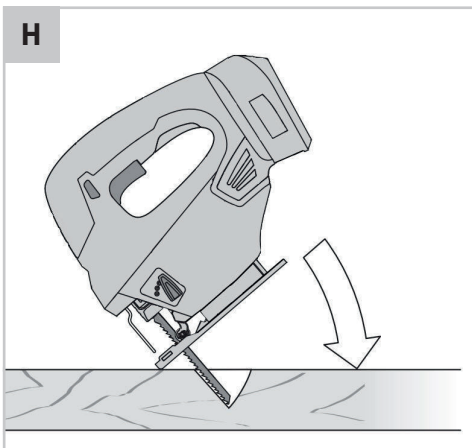
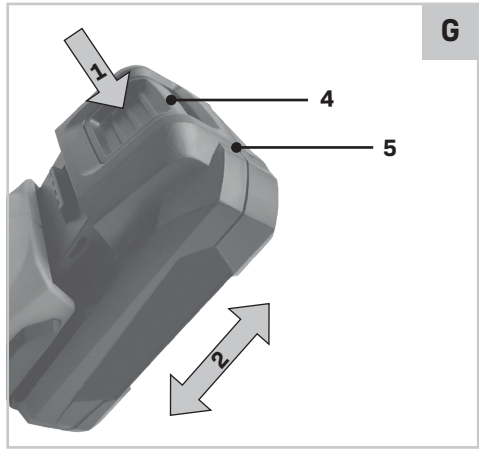
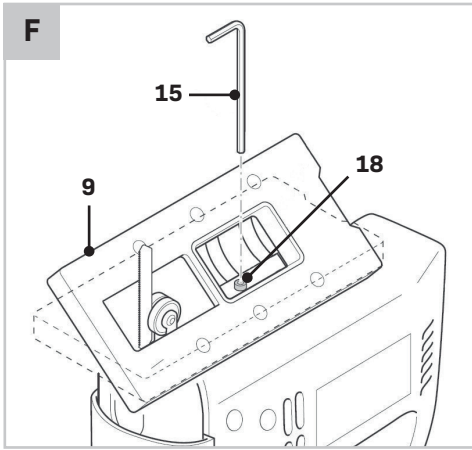
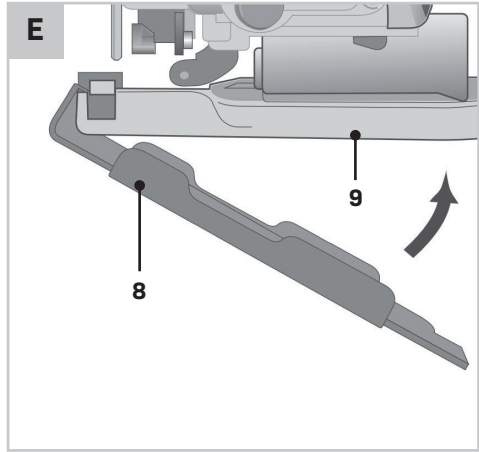
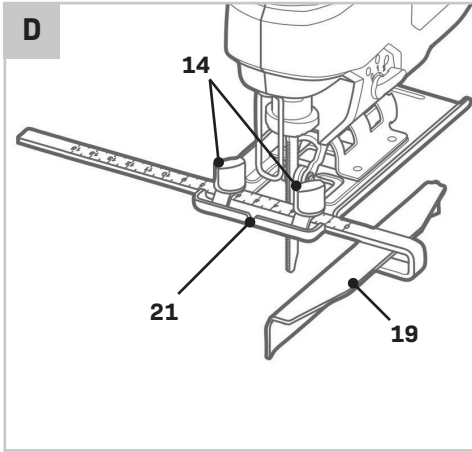
JIG SAW

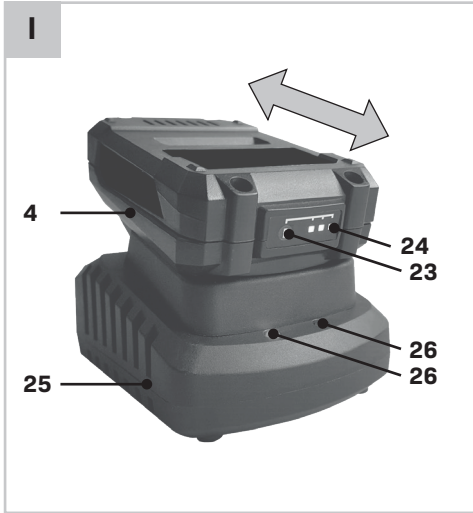
**JS501DC / S_JS501DC / S2_JS501DC
S3_JS501DC / S4_JS501DC**



EN Original Instructions	05	DA Oversættelse af den originale brugsanvisning	60
DE Übersetzung Der Originalbetriebsanleitung	12	PL Tłumaczenie instrukcji oryginalnej	67
NL Vertaling van de oorspronkelijke gebruiksaanwijzing	20	RO Traducere a instrucțiunilor originale	75
FR Traduction de la notice originale	28	PT Tradução do manual original	83
ES Traducción del manual original	36	HU Az eredeti utasítások fordítása	91
IT Traduzione delle istruzioni originali	44	CS Překlad původního návodu	99
SV Översättning av bruksanvisning i original	52	TR Orijinal talimatların çevirisi	107







1. SAFETY INSTRUCTIONS

Read the enclosed safety warnings, the additional safety warnings and the instructions. Failure to follow the safety warnings and the instructions may result in electric shock, fire and/or serious injury. Save the safety warnings and the instructions for future reference.

The following symbols are used in the user manual or on the product:



Read the user manual.



Denotes risk of personal injury, loss of life or damage to the tool in case of non-observance of the instructions in this manual.



Keep bystanders, especially children and pets, at a distance greater than 10m.



Wear eye protection.



Wear ear protection.



Wear a dust mask protection.



Danger Area! Keep hands far away (10cm) from the cutting area while the machine is running. Danger of injury when coming in contact with the saw blade.



Warning of laser radiation.



Time-lag miniature fuse-link.



Max temperature 45 °C.



Do not throw the battery into fire.



Do not throw the battery into water.



Separate collection for Li-ion battery.



The product is in accordance with the applicable safety standards in the European directives.

GENERAL POWER TOOL SAFETY WARNINGS



WARNING! Read all safety warnings and all instructions. Failure to follow the warnings and instructions may result in electric shock, fire and/or serious injury.

Save all warnings and instructions for future reference.

The term “power tool” in the warnings refers to your mains-operated (corded) power tool or battery-operated (cordless) power tool.

1) Work area safety

- Keep the work area clean and well lit.** Cluttered or dark areas invite accidents.
- Do not operate power tools in explosive atmospheres, such as in the presence of flammable liquids, gases or dust.** Power tools create sparks which may ignite the dust or fumes.
- Keep children and bystanders away while operating a power tool.** Distractions can cause you to lose control.

2) Electrical safety

- Power tool plugs must match the outlet. Never modify the plug in any way. Do not use any adapter plugs with earthed (grounded) power tools.** Unmodified plugs and matching outlets will reduce risk of electric shock.
- Avoid body contact with earthed or grounded surfaces, such as pipes, radiators, ranges and refrigerators.** There is an increased risk of electric shock if your body is earthed or grounded.
- Do not expose power tools to rain or wet conditions.** Water entering a power tool will increase the risk of electric shock.
- Do not abuse the cord. Never use the cord for carrying, pulling or unplugging the power tool. Keep cord away from heat, oil, sharp edges or moving parts.** Damaged or entangled cords increase the risk of electric shock.
- When operating a power tool outdoors, use an extension cord suitable for outdoor use.** Use of a cord suitable for outdoor use reduces the risk of electric shock.
- If operating a power tool in a damp location is unavoidable, use a residual current device (RCD) protected supply.** Use of an RCD reduces the risk of electric shock.

3) Personal safety

- a) **Stay alert, watch what you are doing and use common sense when operating a power tool. Do not use a power tool while you are tired or under the influence of drugs, alcohol or medication.**

A moment of inattention while operating power tools may result in serious personal injury.

- b) **Use personal protective equipment. Always wear eye protection.** Protective equipment such as dust mask, non-skid safety shoes, hard hat, or hearing protection used for appropriate conditions will reduce personal injuries.
- c) **Prevent unintentional starting. Ensure the switch is in the off-position before connecting to power source and/or battery pack, picking up or carrying the tool.** Carrying power tools with your finger on the switch or energising power tools that have the switch on invites accidents.
- d) **Remove any adjusting key or wrench before turning the power tool on.** A wrench or a key left attached to a rotating part of the power tool may result in personal injury.
- e) **Do not overreach. Keep proper footing and balance at all times.** This enables better control of the power tool in unexpected situations.
- f) **Dress properly. Do not wear loose clothing or jewellery. Keep your hair, clothing and gloves away from moving parts.** Loose clothes, jewellery or long hair can be caught in moving parts.
- g) **If devices are provided for the connection of dust extraction and collection facilities, ensure these are connected and properly used.** Use of dust collection can reduce dust related hazards.
- h) **Do not let familiarity gained from frequent use of tools allow you to become complacent and ignore tool safety principles.** A careless action can cause severe injury within a fraction of a second.

4) Power tool use and care

- a) **Do not force the power tool. Use the correct power tool for your application.** The correct power tool will do the job better and safer at the rate for which it was designed.
- b) **Do not use the power tool if the switch does not turn it on and off.** Any power tool that cannot be controlled with the switch is dangerous and must be repaired.
- c) **Disconnect the plug from the power source and/or the battery pack from the power tool before making any adjustments, changing accessories, or storing power tools.** Such preventive safety

measures reduce the risk of starting the power tool accidentally.

- d) **Store idle power tools out of the reach of children and do not allow persons unfamiliar with the power tool or these instructions to operate the power tool.** Power tools are dangerous in the hands of untrained users.
- e) **Maintain power tools. Check for misalignment or binding of moving parts, breakage of parts and any other condition that may affect the power tool's operation. If damaged, have the power tool repaired before use.** Many accidents are caused by poorly maintained power tools.
- f) **Keep cutting tools sharp and clean.** Properly maintained cutting tools with sharp cutting edges are less likely to bind and are easier to control.
- g) **Use the power tool, accessories and tool bits etc. in accordance with these instructions, taking into account the working conditions and the work to be performed.** Use of the power tool for operations different from those intended could result in a hazardous situation.
- h) **Keep handles and grasping surfaces dry, clean and free from oil and grease.** Slippery handles and grasping surfaces do not allow for safe handling and control of the tool in unexpected situations.

5) Battery tool use and care

- a) **Recharge only with the charger specified by the manufacturer.** A charger that is suitable for one type of battery pack may create a risk of fire when used with another battery pack.
- b) **Use power tools only with specifically designated battery packs.** Use of any other battery packs may create a risk of injury and fire.
- c) **When battery pack is not in use, keep it away from other metal objects, like paper clips, coins, keys, nails, screws or other small metal objects that can make a connection from one terminal to another.** Shorting the battery terminals together may cause burns or a fire.
- d) **Under abusive conditions, liquid may be ejected from the battery; avoid contact. If contact accidentally occurs, flush with water. If liquid contacts eyes, additionally seek medical help.** Liquid ejected from the battery may cause irritation or burns.
- e) **Do not use a battery pack or tool that is damaged or modified.** Damaged or modified batteries may exhibit unpredictable behaviour resulting in

fire, explosion or risk of injury.

- f) **Do not expose a battery pack or tool to fire or excessive temperature.** Exposure to fire or temperature above 130 °C may cause explosion. NOTE The temperature „130 °C“ can be replaced by the temperature „265 °F“.
- g) **Follow all charging instructions and do not charge the battery pack or tool outside the temperature range specified in the instructions.** Charging improperly or at temperatures outside the specified range may damage the battery and increase the risk of fire.
- 6) **Service**
- a) **Have your power tool serviced by a qualified repair person using only identical replacement parts.** This will ensure that the safety of the power tool is maintained.
- b) **Never service damaged battery packs.** Service of battery packs should only be performed by the manufacturer or authorized service providers.

SAFETY WARNINGS FOR JIG SAWS

- **Warning of laser radiation.** Laser class 2, P max.: <1 mW, λ: 650 nm, EN 60825-1:2014. Do not look directly into the laser beam or the opening from which it emerges. Never point the laser beam at people, animals or reflective surfaces. Even brief eye contact can lead to eye damage. Examining the laser output aperture by use of optical instruments (e.g. magnifying glass, magnifiers and the like) entails the risk of eye damage. When working with a laser of class 2, observe the national regulations on wearing eye protection.
- **Hold power tool by insulated gripping surfaces, when performing an operation where the cutting accessory may contact hidden wiring.** Cutting accessory contacting a “live” wire may make exposed metal parts of the power tool “live” and could give the operator an electric shock.
- **Keep hands away from the sawing range.** Do not reach under the workpiece. Contact with the saw blade can lead to injuries.
- **Apply the machine to the workpiece only when switched on.** Otherwise there is danger of kickback when the cutting tool jams in the workpiece.
- **Pay attention that the base plate rests securely on the material while sawing.** A jammed saw blade can break or lead to kickback.
- **When the cut is completed, switch off the**

machine and then pull the saw blade out of the cut only after it has come to a standstill. In this manner you can avoid kickback and can place down the machine securely.

- **Use only undamaged saw blades that are in perfect condition.** Bent or dull saw blades can break, negatively influence the cut, or lead to kickback.
- **Do not brake the saw blade to a stop by applying side pressure after switching off.** The saw blade can be damaged, break or cause kickback.
- **Use appropriate detectors to determine if utility lines are hidden in the work area or call the local utility company for assistance.** Contact with electric lines can lead to fire and electric shock. Damaging a gas line can lead to explosion. Penetrating a water line causes property damage.
- **Secure the workpiece.** A workpiece clamped with clamping devices or in a vice is held more secure than by hand.
- **Always wait until the machine has come to a complete stop before placing it down.** The tool insert can jam and lead to loss of control over the power tool.
- **Use clamps or another practical way to secure and support the workpiece to a stable platform.** Holding the workpiece by hand or against your body leaves it unstable and may lead to loss of control.

SAFETY WARNINGS FOR BATTERY

- a) **Do not open the battery.** Danger of shortcircuiting.
- b) **Protect the battery against heat, e. g., against continuous intense sunlight, fire, water, and moisture.** Danger of explosion.
- c) **In case of damage and improper use of the battery, vapours may be emitted. Ventilate the area and seek medical help in case of complaints.** The vapours can irritate the respiratory system.
- d) **Use the battery only in conjunction with your Vonroc product.** This measure alone protects the battery against dangerous overload.
- e) **The battery can be damaged by pointed objects such as nails or screwdrivers or by force applied externally.** An internal short circuit can occur and the battery can burn, smoke, explode or overheat.

SAFETY WARNINGS FOR CHARGER

Intended use

Charge only CD801AA and CD803AA type rechargeable Battery packs with the charger. Other types of batteries may burst causing personal injury and damage.

- The appliance is not to be used by persons (including children) with reduced physical, sensory or mental capabilities, or lack of experience and knowledge, unless they have been given supervision or instruction.**
- Children being supervised not to play with the appliance.**
- Do not recharging non-rechargeable batteries!**
- During charging, batteries must be placed in the well ventilated area!**

2. MACHINE INFORMATION

Intended use

The machine is intended for sawing wood, metal, plastics, ceramics, rubber, etc. to any required size and in any required shape, while keeping the baseplate resting firmly on the workpiece. A suitable saw blade must always be used.

TECHNICAL SPECIFICATIONS



This manual has been drawn up for different sets / article numbers. Check the corresponding article number in below specifications table for the correct composition and contents of your set.

Model No	Batteries included	Chargers included
JS501DC	-	-
S_JS501DC	CD801AA	CD802AA
S2_JS501DC	2 x CD801AA	CD802AA
S3_JS501DC	CD803AA	CD802AA
S4_JS501DC	CD801AA	CD802AA

Machine information	
Rated voltage	20V
No load speed	0-2500/min
Saw stroke	25mm
Max. saw capacity wood 0°	50mm
Max. saw capacity steel 0°	8mm

Weight	1.85 kg
Sound pressure level LPA	82.0 dB(A), K=3dB(A)
Sound power level LWA	93.0 dB(A), K=3dB(A)
Vibration 'sawing sheet metal'	5.459 m/s ² K=1.5 m/s ²
Vibration 'sawing plywood'	5.658 m/s ² K=1.5 m/s ²

Model No	CD801AA
Battery Type	Lithium-Ion
Voltage	20V
Capacity	2.0 Ah
Recommended charger	CD802AA
Weight	0.3 kg

Model No	CD802AA
Charger input	220-240V,50Hz 0.4A
Charger output	21V 2.5A
Charging time 2Ah battery	60 minutes
Charging time 4Ah battery	120 minutes
Recommended batteries	CD801AA, CD803AA
Weight	0.36 kg

Model No	CD803AA
Battery Type	Lithium-Ion
Voltage	20V
Capacity	4.0 Ah
Recommended charger	CD802AA
Weight	0.65 kg

Only use the following batteries of the VONROC VPOWER 20V battery platform. Using any other batteries could cause serious injury or damage the tool.

CD801AA 20V, 2Ah Lithium-Ion
CD803AA 20V, 4Ah Lithium-Ion

The following charger of the can be used to charge these batteries.

CD802AA Quick charger

The batteries of the VONROC VPOWER 20V battery platform are interchangeable with all the VONROC VPOWER 20V battery platform tools.

Vibration level

The vibration emission level stated in this instruction manual has been measured in accordance with a standardized test given in EN 62841; it may be used to compare one tool with another and as a preliminary assessment of exposure to vibration when using the tool for the applications mentioned.

- Using the tool for different applications, or with different or poorly maintained accessories, may significantly increase the exposure level.
- The times when the tool is switched off or when it is running but not actually doing the job, may significantly reduce the exposure level.

Protect yourself against the effects of vibration by maintaining the tool and its accessories, keeping your hands warm, and organizing your work patterns.

DESCRIPTION

The numbers in the text refer to the diagrams on page 2-4.

1. Lock-off button
2. On/off switch
3. Handle
4. Battery
5. Battery unlock button
6. Pendulum action switch
7. Scale for bevel angle
8. Baseplate cover
9. Baseplate
10. Guide roller
11. Laser switch
12. Guard
13. Clamping lever
14. Wing bolts for parallel guide
15. Hex key
16. Chuck
17. Saw blade
18. Bolt for baseplate
19. Parallel guide
20. Laser
21. Cutting mark
22. Laser adjustment screw
23. Battery LED indicators button
24. Battery LED indicators
25. Charger
26. Charger LED indicators

3. ASSEMBLY



Before any work on the power tool, remove the battery.



The battery must be charged before first use.

Inserting the battery into the machine (Fig. A, G)



Ensure that the exterior of the battery is clean and dry before connecting to the charger or machine.

1. Insert the battery (4) into the base of the machine as shown in Fig. G.
2. Push the battery further forward until it clicks into place.

Removing the battery from the machine (Fig. A, G)

1. Push the battery unlock button (5)
2. Pull the battery out of the machine like shown in Fig. G.

Checking the battery charging status (Fig. I)

- To check the battery charge status, push the button (23) on battery shortly.
- The battery has 3 lights indicating the charge level, the more lights that burn, the more charge the battery has left.
- When the lights are not burning it means the battery is empty and must be charged immediately.

Charging the battery with the charger (Fig. I)

1. Take the battery (4) from the machine.
2. Turn the battery (4) to upside down position and slide it onto the charger (25) as shown in Fig. I.
3. Push the battery until it is fully pushed into the slot.
4. Plug the charger plug into an electrical outlet and wait for a while. The LED indicators on the charger (26) will lighten up and show the charger status.

The charger has 2 LED indicators (26) which indicate the status of the charging process:

Red LED Status	Green LED status	Charger status
Off	Off	No power
Off	On	Standby mode: - No battery is inserted or, - Battery inserted but charging has finished
On	Off	Battery charging in progress

- Fully charging the 2Ah battery may take up to 60 minutes.
- Fully charging the 4Ah battery may take up to 120 minutes.

After the battery is fully charged remove the charger plug from the outlet and remove the battery from the charger.



When the machine is not being used over a longer period of time it is best to store the battery in charged condition.

Replacing the saw blade (Fig. A, C)



When mounting the saw blade, wear protective gloves. Danger of injury when touching the saw blade.



Only use saw blades that correspond with the characteristic data given in the operating instructions.

Mounting the saw blade



Make sure the blade holder is free of material debris (such as splinters of wood or metal).

1. Turn the clamping lever (13) as far to the left as possible and hold it in this position.
2. Insert the saw blade in the chuck (16). Check that the saw blade is securely fixed and that the teeth are pointing in the cutting direction.
3. Let go of the clamping lever. Check whether the back of the saw blade is positioned in the centre of the guide roller (10).

Make sure to use the right sawblade for the corresponding material. Included with the machine is a coarse sawblade for wood and a fine sawblade for metal and plastics.

Removing the saw blade

1. Turn the clamping lever (13) as far to the left as possible and hold it in this position.
2. Remove the saw blade from the chuck (16).
3. Let go of the clamping lever.

Attaching the parallel guide (Fig. D)

1. Loosen the wing bolts (14).
2. Mount the parallel guide (19) onto the baseplate (9).
3. Set the desired cutting width using the scale

- on the parallel guide (14) and the cutting mark on the baseplate (20). The cutting mark (20) indicates the position of the saw blade.
4. Tighten the wing bolt (14).

4. OPERATION

Switching the machine on/off (Fig. A)

The on/off switch (2) is used for activating the machine and adjusting speed.

- To start the machine, press and hold the lock-off button (1) and press the on/off switch (2).
- The further the on/off switch (2) is being pushed, the faster the blade will move. The required speeds depends on the material and can be determined by practical testing.
- To stop the machine, release the on/off switch (2).

Switching the laser on/off (Fig. A)

- Press the laser switch (11) to switch the laser on or off. The laser switch (11) also turns on the LED worklight.

Fine-tuning the laser

Note: To test the laser function, the battery must be inserted into the power tool.



While adjusting the laser, never activate the on/off switch. Accidental starting of the power tool can lead to injuries.

If the laser (11) ceases to indicate the correct cutting line, you can readjust the laser. To do so, adjust the laser adjustment screw (22) and set the laser until it indicates a correct cutting line.

Adjusting the bevel angle (Fig. B, F)

1. Loosen the bolt (18), using the hex key (15).
2. Adjust the baseplate (9) to the desired position (0°- 45°). The sawing angle (bevel) can be read on the scale (7).
3. Tighten the bolt (7), using the hex key (15). It is possible to store the hex key onto the machine, as shown on Fig. B.

Adjusting the pendulum action (Fig. A)

The pendulum action switch is used to set the way in which the teeth of the saw blade grip the material. The pendulum action switch can be set to 4 positions:

0 - No pendulum action
1 - Small pendulum action

2 - Medium pendulum action

3 - Large pendulum action

The required pendulum action can be determined by practical testing, although the following instructions can be observed:

- Soft material (wood, plastics etc.): set the pendulum to level II or III. For a finer and cleaner saw cut, use pendulum level 0 or I.
- Thin material, use pendulum level 0.
- Hard material (steel etc.): set the pendulum to level 0.
- Curves: set pendulum to level 0.

Plunge cutting (Fig. H)

Plunge cutting may only be used on soft materials such as wood, aerated concrete, gypsum plaster boards, etc. However, this requires a certain practise and is only possible with short saw blades.

1. Place the saw onto the workpiece and switch it on.
2. Ensure that the bottom edge of the footplate rests on the workpiece surface as shown on Fig. H.
3. Slowly saw into the workpiece at an angle, moving the saw to a vertical position and continue to saw along the cutting line.
4. Switch the saw off and lift off the workpiece when the work is complete.

Optimum use

- Clamp the workpiece. Use a clamping device for small workpieces.
- Draw a line to define the direction in which to guide the saw blade.
- Firmly hold the machine by the grip.
- Set the sawing speed.
- Set the mitre angle.
- Switch on the machine.
- Wait until the machine has reached full speed.
- Place the saw shoe on the workpiece.
- Slowly move the machine along the pre-drawn line, firmly pressing the saw shoe against the workpiece.
- Do not apply too much pressure on the machine. Let the machine do the work.
- Switch off the machine and wait for the machine to come to a complete standstill before putting the machine down.

5. MAINTENANCE



Before cleaning and maintenance, always switch off the machine and remove the battery pack from the machine.

Clean the machine casings regularly with a soft cloth, preferably after each use. Make sure that the ventilation openings are free of dust and dirt. Remove very persistent dirt using a soft cloth moistened with soapsuds. Do not use any solvents such as gasoline, alcohol, ammonia, etc. Chemicals such as these will damage the synthetic components.

ENVIRONMENT



Faulty and/or discarded electrical or electronic apparatus have to be collected at the appropriate recycling locations.

Only for EC countries

Do not dispose of power tools into domestic waste. According to the European Guideline 2012/19/EC for Waste Electrical and Electronic Equipment and its implementation into national right, power tools that are no longer usable must be collected separately and disposed of in an environmentally friendly way.

WARRANTY

VONROC products are developed to the highest quality standards and are guaranteed free of defects in both materials and workmanship for the period lawfully stipulated starting from the date of original purchase. Should the product develop any failure during this period due to defective material and/or workmanship then contact VONROC directly.

The following circumstances are excluded from this guarantee:

- Repairs and or alterations have been made or attempted to the machine by unauthorized service centers;
- Normal wear and tear;
- The tool has been abused, misused or improperly maintained;
- Non-original spare parts have been used.

This constitutes the sole warranty made by company either expressed or implied. There are no other warranties expressed or implied which extend beyond the face hereof, herein, including the im-

plied warranties of merchantability and fitness for a particular purpose. In no event shall VONROC be liable for any incidental or consequential damages. The dealers remedies shall be limited to repair or replacement of nonconforming units or parts.

The product and the user manual are subject to change. Specifications can be changed without further notice.

1. SICHERHEITSANWEISUNGEN

Lesen Sie die beiliegenden Sicherheitsanweisungen, die zusätzlichen Sicherheitsanweisungen sowie diese Bedienungsanleitung sorgfältig durch. Bei Nichtbeachten der Sicherheitsanweisungen und der Bedienungsanleitung kann es zu einem Stromschlag, einem Brand und/oder schweren Verletzungen kommen. Bewahren Sie die Sicherheitsanweisungen und die Bedienungsanleitung zur künftigen Bezugnahme sicher auf.

Folgende Symbole werden im Benutzerhandbuch oder auf dem Produkt verwendet:



Benutzerhandbuch/Bedienungsanleitung lesen.



Lebens- und Verletzungsgefahr und Gefahr von Beschädigungen am Werkzeug/Gerät bei Nichteinhaltung der Anweisungen in dieser Bedienungsanleitung.



Halten Sie Zuschauer fern.



Augenschutz tragen.



Ohrenschützer tragen.



Tragen Sie eine Staubschutzmaske.



Gefahrenbereich! Halten Sie die Hände (10 cm) vom Schnittbereich entfernt während die Maschine in Betrieb ist. Verletzungsgefahr, wenn man in Kontakt mit dem Sägeblatt gerät.



Warnung vor Laserstrahlung.



Sicherungseinsatz für träge Sicherungen.



Höchsttemperatur 45°C.



Batterien/Akkus nicht in offene Feuer werfen.



Batterien/Akkus nicht ins Wasser werfen.



Der Li-Ionen-Akku muss separat der Wertstoffsammlung zugeführt werden.

CE Das Produkt entspricht den geltenden Sicherheitsnormen der europäischen Richtlinien.

ALLGEMEINE SICHERHEITSHINWEISE



WARNUNG Lesen Sie alle Sicherheitshinweise, Anweisungen, Bebilderungen und technischen Daten, mit denen dieses Elektrowerkzeug versehen ist. Versäumnisse bei der Einhaltung der nachfolgenden Anweisungen können elektrischen Schlag, Brand und/oder schwere Verletzungen verursachen.

Bewahren Sie alle Sicherheitshinweise und Anweisungen für die Zukunft auf.

Der in den Sicherheitshinweisen verwendete Begriff „Elektrowerkzeug“ bezieht sich auf netzbetriebene Elektrowerkzeuge (mit Netzleitung) oder auf akkubetriebene Elektrowerkzeuge (ohne Netzleitung).

1) Arbeitsplatzsicherheit

- a) **Halten Sie Ihren Arbeitsbereich sauber und gut beleuchtet.** Unordnung oder unbeleuchtete Arbeitsbereiche können zu Unfällen führen.
- b) **Arbeiten Sie mit dem Elektrowerkzeug nicht in explosionsgefährdeter Umgebung, in der sich brennbare Flüssigkeiten, Gase oder Stäube befinden.** Elektrowerkzeuge erzeugen Funken, die den Staub oder die Dämpfe entzünden können.
- c) **Halten Sie Kinder und andere Personen während der Benutzung des Elektrowerkzeugs fern.** Bei Ablenkung können Sie die Kontrolle über das Elektrowerkzeug verlieren.

2) Elektrische Sicherheit

- a) **Der Anschlussstecker des Elektrowerkzeugs muss in die Steckdose passen. Der Stecker darf in keiner Weise verändert werden. Verwenden Sie keine Adapterstecker gemeinsam mit schutzgeerdeten Elektrowerkzeugen.** Unveränderte Stecker und passende Steckdosen verringern das Risiko eines elektrischen Schlages.
- b) **Vermeiden Sie Körperkontakt mit geerdeten Oberflächen wie von Rohren, Heizungen, Herden und Kühlschränken.** Es besteht ein erhöhtes Risiko durch elektrischen Schlag, wenn Ihr Körper geerdet ist.
- c) **Halten Sie Elektrowerkzeuge von Regen oder Nässe fern.** Das Eindringen von Wasser in ein Elektrowerkzeug erhöht das Risiko eines elektrischen Schlages.

- d) **Zweckentfremden Sie die Anschlussleitung nicht, um das Elektrowerkzeug zu tragen, aufzuhängen oder um den Stecker aus der Steckdose zu ziehen. Halten Sie die Anschlussleitung fern von Hitze, Öl, scharfen Kanten oder sich bewegenden Teilen.** Beschädigte oder verwickelte Anschlussleitungen erhöhen das Risiko eines elektrischen Schlages.
- e) **Wenn Sie mit einem Elektrowerkzeug im Freien arbeiten, verwenden Sie nur Verlängerungsleitungen, die auch für den Außenbereich geeignet sind.** Die Anwendung einer für den Außenbereich geeigneten Verlängerungsleitung verringert das Risiko eines elektrischen Schlages.
- f) **Wenn der Betrieb des Elektrowerkzeugs in feuchter Umgebung nicht vermeidbar ist, verwenden Sie einen Fehlerstromschutzschalter.** Der Einsatz eines Fehlerstromschutzschalters vermindert das Risiko eines elektrischen Schlages.

3) Sicherheit von Personen

- a) **Seien Sie aufmerksam, achten Sie darauf, was Sie tun, und gehen Sie mit Vernunft an die Arbeit mit einem Elektrowerkzeug. Benutzen Sie kein Elektrowerkzeug, wenn Sie müde sind oder unter dem Einfluss von Drogen, Alkohol oder Medikamenten stehen.** Ein Moment der Unachtsamkeit beim Gebrauch des Elektrowerkzeugs kann zu ernsthaften Verletzungen führen.
- b) **Tragen Sie persönliche Schutzausrüstung und immer eine Schutzbrille.** Das Tragen persönlicher Schutzausrüstung, wie Staubmaske, rutschfeste Sicherheitsschuhe, Schutzhelm oder Gehörschutz, je nach Art und Einsatz des Elektrowerkzeugs, verringert das Risiko von Verletzungen.
- c) **Vermeiden Sie eine unbeabsichtigte Inbetriebnahme. Vergewissern Sie sich, dass das Elektrowerkzeug ausgeschaltet ist, bevor Sie es an die Stromversorgung und/oder den Akku anschließen, es aufnehmen oder tragen.** Wenn Sie beim Tragen des Elektrowerkzeugs den Finger am Schalter haben oder das Elektrowerkzeug eingeschaltet an die Stromversorgung anschließen, kann dies zu Unfällen führen.
- d) **Entfernen Sie Einstellwerkzeuge oder Schraubenschlüssel, bevor Sie das Elektrowerkzeug einschalten.** Ein Werkzeug oder Schlüssel, der sich in einem drehenden Teil des Elektrowerkzeugs befindet, kann zu Verletzungen führen.
- e) **Vermeiden Sie eine abnormale Körperhaltung. Sorgen Sie für einen sicheren Stand und halten**

Sie jederzeit das Gleichgewicht. Dadurch können Sie das Elektrowerkzeug in unerwarteten Situationen besser kontrollieren.

- f) **Tragen Sie geeignete Kleidung. Tragen Sie keine weite Kleidung oder Schmuck. Halten Sie Haare und Kleidung fern von sich bewegenden Teilen.** Lockere Kleidung, Schmuck oder lange Haare können von sich bewegenden Teilen erfasst werden.
 - g) **Wenn Staubabsaug- und -auffangeinrichtungen montiert werden können, sind diese anzuschließen und richtig zu verwenden.** Verwendung einer Staubabsaugung kann Gefährdungen durch Staub verringern.
 - h) **Wiegen Sie sich nicht in falscher Sicherheit und setzen Sie sich nicht über die Sicherheitsregeln für Elektrowerkzeuge hinweg, auch wenn Sie nach vielfachem Gebrauch mit dem Elektrowerkzeug vertraut sind.** Achtloses Handeln kann binnen Sekundenbruchteilen zu schweren Verletzungen führen.
- 4) **Verwendung und Behandlung des Elektrowerkzeugs**
- a) **Überlasten Sie das Elektrowerkzeug nicht. Verwenden Sie für Ihre Arbeit das dafür bestimmte Elektrowerkzeug.** Mit dem passenden Elektrowerkzeug arbeiten Sie besser und sicherer im angegebenen Leistungsbereich.
 - b) **Benutzen Sie kein Elektrowerkzeug, dessen Schalter defekt ist.** Ein Elektrowerkzeug, das sich nicht mehr ein- oder ausschalten lässt, ist gefährlich und muss repariert werden.
 - c) **Ziehen Sie den Stecker aus der Steckdose und/oder entfernen Sie einen abnehmbaren Akku, bevor Sie Geräteeinstellungen vornehmen, Einsatzwerkzeugteile wechseln oder das Elektrowerkzeug weglegen.** Diese Vorsichtsmaßnahme verhindert den unbeabsichtigten Start des Elektrowerkzeugs.
 - d) **Bewahren Sie unbenutzte Elektrowerkzeuge außerhalb der Reichweite von Kindern auf. Lassen Sie keine Personen das Elektrowerkzeug benutzen, die mit diesem nicht vertraut sind oder diese Anweisungen nicht gelesen haben.** Elektrowerkzeuge sind gefährlich, wenn sie von unerfahrenen Personen benutzt werden.
 - e) **Pflegen Sie Elektrowerkzeuge und Einsatzwerkzeug mit Sorgfalt. Kontrollieren Sie, ob bewegliche Teile einwandfrei funktionieren und nicht klemmen, ob Teile gebrochen oder**
- so beschädigt sind, dass die Funktion des Elektrowerkzeugs beeinträchtigt ist. Lassen Sie beschädigte Teile vor dem Einsatz des Elektrowerkzeugs reparieren.** Viele Unfälle haben ihre Ursache in schlecht gewarteten Elektrowerkzeugen.
- f) **Halten Sie Schneidwerkzeuge scharf und sauber.** Sorgfältig gepflegte Schneidwerkzeuge mit scharfen Schneidkanten verklemmen sich weniger und sind leichter zu führen.
 - g) **Verwenden Sie Elektrowerkzeug, Zubehör, Einsatzwerkzeuge usw. entsprechend diesen Anweisungen. Berücksichtigen Sie dabei die Arbeitsbedingungen und die auszuführende Tätigkeit.** Der Gebrauch von Elektrowerkzeugen für andere als die vorgesehenen Anwendungen kann zu gefährlichen Situationen führen.
 - h) **Halten Sie Griffe und Griffflächen trocken, sauber und frei von Öl und Fett.** Rutschige Griffe und Griffflächen erlauben keine sichere Bedienung und Kontrolle des Elektrowerkzeugs in unvorhergesehenen Situationen.
- 5) **Verwendung und Behandlung des Akkuwerkzeugs**
- a) **Laden Sie die Akkus nur mit Ladegeräten auf, die vom Hersteller empfohlen werden.** Durch ein Ladegerät, das für eine bestimmte Art von Akkus geeignet ist, besteht Brandgefahr, wenn es mit anderen Akkus verwendet wird.
 - b) **Verwenden Sie nur die dafür vorgesehenen Akkus in den Elektrowerkzeugen.** Der Gebrauch von anderen Akkus kann zu Verletzungen und Brandgefahr führen.
 - c) **Halten Sie den nicht benutzten Akku fern von Büroklammern, Münzen, Schlüsseln, Nägeln, Schrauben oder anderen kleinen Metallgegenständen, die eine Überbrückung der Kontakte verursachen könnten.** Ein Kurzschluss zwischen den Akkukontakten kann Verbrennungen oder Feuer zur Folge haben.
 - d) **Bei falscher Anwendung kann Flüssigkeit aus dem Akku austreten. Vermeiden Sie den Kontakt damit. Bei zufälligem Kontakt mit Wasser abspülen. Wenn die Flüssigkeit in die Augen kommt, nehmen Sie zusätzlich ärztliche Hilfe in Anspruch.** Austretende Akkuflüssigkeit kann zu Hautreizungen oder Verbrennungen führen.
 - e) **Benutzen Sie keinen beschädigten oder veränderten Akku.** Beschädigte oder veränderte Akkus können sich unvorhersehbar verhalten und zu

Feuer, Explosion oder Verletzungsgefahr führen.

- f) **Setzen Sie einen Akku keinem Feuer oder zu hohen Temperaturen aus.** Feuer oder Temperaturen über 130 °C können eine Explosion hervorrufen.
 - g) **Befolgen Sie alle Anweisungen zum Laden und laden Sie den Akku oder das Akkuwerkzeug niemals außerhalb des in der Betriebsanleitung angegebenen Temperaturbereichs.** Falsches Laden oder Laden außerhalb des zugelassenen Temperaturbereichs kann den Akku zerstören und die Brandgefahr erhöhen.
- 6) **Service**
- a) **Lassen Sie Ihr Elektrowerkzeug nur von qualifiziertem Fachpersonal und nur mit Original-Ersatzteilen reparieren.** Damit wird sichergestellt, dass die Sicherheit des Elektrowerkzeugs erhalten bleibt.
 - b) **Warten Sie niemals beschädigte Akkus.** Sämtliche Wartung von Akkus sollte nur durch den Hersteller oder bevollmächtigte Kundendienststellen erfolgen.

SICHERHEITSHINWEISE FÜR STICHSÄGEN

- **Warnung vor Laserstrahlung.** Laserklasse 2, Pmax: <1 mW, λ: 650 nm, EN 60825-1: 2014. Richten Sie den Laserstrahl nicht auf Personen oder Tiere und starren Sie nicht in den Laserstrahl, auch nicht aus der Distanz. Dieses Elektrowerkzeug erzeugt einen Laser mit einer Laserstrahlung der Klasse 2 gemäß EN 60825-1. Diese kann dazu führen, dass Personen erblinden.
- **Halten Sie das Gerät an den isolierten Griffflächen, wenn Sie Arbeiten ausführen, bei denen das Einsatzwerkzeug verborgene Stromleitungen treffen kann.** Der Kontakt mit einer spannungsführenden Leitung kann auch metallene Geräteteile unter Spannung setzen und zu einem elektrischen Schlag führen.
- **Halten Sie die Hände vom Sägebereich fern.** Greifen Sie nicht unter das Werkstück. Bei Kontakt mit dem Sägeblatt besteht Verletzungsgefahr.
- **Führen Sie das Elektrowerkzeug nur eingeschaltet gegen das Werkstück.** Es besteht sonst die Gefahr eines Rückschlages, wenn sich das Einsatzwerkzeug im Werkstück verhakt.
- **Achten Sie darauf, dass die Fußplatte beim Sägen sicher aufliegt.** Ein verkantetes Sägeblatt kann brechen oder zum Rückschlag führen.
- **Schalten Sie nach Beendigung des Arbeitsvorgangs das Elektrowerkzeug aus und ziehen**

Sie das Sägeblatt erst dann aus dem Schnitt, wenn dieses zum Stillstand gekommen ist. So vermeiden Sie einen Rückschlag und können das Elektrowerkzeug sicher ablegen.

- **Verwenden Sie nur unbeschädigte, einwandfreie Sägeblätter.** Verbogene oder unscharfe Sägeblätter können brechen, den Schnitt negativ beeinflussen oder einen Rückschlag verursachen.
- **Bremsen Sie das Sägeblatt nach dem Ausschalten nicht durch seitliches Gegendrücken ab.** Das Sägeblatt kann beschädigt werden, brechen oder einen Rückschlag verursachen.
- **Verwenden Sie geeignete Suchgeräte, um verborgene Versorgungsleitungen aufzuspüren, oder ziehen Sie die örtliche Versorgungsgesellschaft hinzu.** Kontakt mit Elektroleitungen kann zu Feuer und elektrischem Schlag führen. Beschädigung einer Gasleitung kann zur Explosion führen. Eindringen in eine Wasserleitung verursacht Sachbeschädigung.
- **Sichern Sie das Werkstück.** Ein mit Spannvorrichtungen oder Schraubstock festgehaltenes Werkstück ist sicherer gehalten als mit Ihrer Hand.
- **Warten Sie, bis das Elektrowerkzeug zum Stillstand gekommen ist, bevor Sie es ablegen.** Das Einsatzwerkzeug kann sich verhaken und zum Verlust der Kontrolle über das Elektrowerkzeug führen.
- **Verwenden Sie Halteklammern oder eine andere praktikable Methode, um das Werkstück auf einer stabilen Plattform zu sichern.** Das Halten oder Stützen des Werkstücks mit der Hand oder dem Körper führt zu Instabilität und kann einen Kontrollverlust verursachen.

SICHERHEITSHINWEISE FÜR AKKU

- a) **Öffnen Sie den Akku nicht.** Es besteht die Gefahr eines Kurzschlusses.
- b) **Schützen Sie den Akku vor Hitze, z. B. auch vor dauernder Sonneneinstrahlung, Feuer, Wasser und Feuchtigkeit.** Es besteht Explosionsgefahr.
- c) **Bei Beschädigung und unsachgemäßem Gebrauch des Akkus können Dämpfe austreten. Führen Sie Frischluft zu und suchen Sie bei Beschwerden einen Arzt auf.** Die Dämpfe können die Atemwege reizen.
- d) **Verwenden Sie den Akku nur in Verbindung mit Ihrem Vonroc Produkt.** Nur so wird der Akku vor gefährlicher Überlastung geschützt.
- e) **Durch spitze Gegenstände wie z. B. Nagel oder Schrau benzieher oder durch äußere Kräftein-**

wirkung kann der Akku beschädigt werden. Es kann zu einem internen Kurzschluss kommen und der Akku brennen, rauchen, explodieren oder überhitzen.

SICHERHEITSHINWEISE FÜR DAS LADEGERÄT

Verwendungszweck

Nur für das Laden von wiederaufladbaren Li-Ionen-Akkus des Typs CD801AA und CD803AA geeignet. Andere Arten von Akkus können platzen und zu Verletzungen und Schäden führen.

- Das Gerät darf nicht von Personen (einschließlich Kindern) mit eingeschränkten körperlichen, sensorischen bzw. geistigen Fähigkeiten, mangelnder Erfahrung bzw. fehlendem Wissen verwendet werden, wenn diese nicht beaufsichtigt werden oder eine Einweisung erhalten haben.**
- Kinder sollten beaufsichtigt werden, um sicherzustellen, dass sie nicht mit dem Gerät spielen.**
- Nicht wiederaufladbare Batterien dürfen nicht aufgeladen werden!**
- Während des Ladens müssen sich die Akkus in einem gut belüfteten Raum befinden!**

2. ANGABEN ZUM WERKZEUG

Verwendungszweck

Dieses Gerät ist zum Sägen von Holz, Metall, Kunststoff, Keramik, Gummi usw. in jede gewünschte Größe und Form bestimmt, wobei die Basisplatte fest auf dem Werkstück aufliegt. Es ist immer ein geeignetes Sägeblatt zu verwenden.

TECHNISCHE DATEN



Dieses Handbuch wurde für unterschiedliche Sets / Artikelnummern erstellt. Achten Sie in der Spezifikationstabelle mit den korrekten Zusammenstellungen und Inhalten für Ihr Set auf Ihre jeweilige Artikelnummer.

Modellnummer	Batterien enthalten	Ladegerät enthalten
JS501DC	-	-
S_JS501DC	CD801AA	CD802AA
S2_JS501DC	2 x CD801AA	CD802AA
S3_JS501DC	CD803AA	CD802AA
S4_JS501DC	CD801AA	CD802AA

Angaben zum Werkzeug	
Netzspannung	20V
Leerlaufdrehzahl	0-2500/min
Sägehub	25mm
Max. Sägeleistung Holz 0°	50mm
Max. Sägeleistung Stahl 0°	8mm
Gewicht	1,85 kg
Schalldruckpegel LPA	82,0 dB(A), K=3dB(A)
Schallleistungspegel LWA	93,0 dB(A), K=3dB(A)
Schwingung 'sagen blech'	5,459 m/s ² K=1,5 m/s ²
Schwingung 'sagen sperrholz'	5,658 m/s ² K=1,5 m/s ²

Modellnummer	CD801AA
Akkutyp	Lithium-Ion
Spannung	20V
Kapazität	2,0 Ah
Empfohlene Ladegeräte	CD802AA
Gewicht	0,3 kg

Modellnummer	CD802AA
Ladegerät Eingang	220-240V, 50Hz 0,4A
Ladegerät Ausgang	21V 2,5A
Ladezeit 2Ah Akku	60 Minuten
Ladezeit 4Ah Akku	120 Minuten
Empfohlene Akkus	CD801AA, CD803AA
Gewicht	0,36 kg

Modellnr.	CD803AA
Akkutyp	Lithium-Ion
Spannung	20V
Kapazität	4,0 Ah
Empfohlene Ladegeräte	CD802AA
Gewicht	0,65 kg

Verwenden Sie nur folgende Akkus der VONROC VPOWER 20V-Akku-Plattform. Die Verwendung anderer Akkus kann zu schweren Verletzungen oder einer Beschädigung des Werkzeugs führen.

CD801AA 20V, 2Ah Lithium-Ion
 CD803AA 20V, 4Ah Lithium-Ion

Folgendes Ladegerät ist zum Aufladen dieser Akkus vorgesehen.
CD802AA Schnellladegerät

Die Akkus der VONROC VPOWER 20V-Akku-Plattform sind unter allen Werkzeugen der VONROC VPOWER 20V-Akku-Plattform austauschbar.

Vibrationsintensität

Die in dieser Bedienungsanleitung angegebene Vibrationsintensität wurde mit einem standardisierten Test gemäß EN 62841 gemessen. Anhand dieser Größe können Werkzeuge miteinander verglichen werden. Außerdem eignet sich diese Größe für eine erste Beurteilung der Vibrationsbelastung bei Verwendung des Werkzeugs für die angegebenen Anwendungszwecke.

- Bei Verwendung des Werkzeugs für andere Anwendungen oder mit anderem oder unzureichend gewartetem Zubehör kann sich die Vibrationsbelastung erheblich erhöhen.
- Wenn das Werkzeug ausgeschaltet ist, oder wenn es eingeschaltet ist, jedoch nicht genutzt wird, kann sich die Vibrationsbelastung erheblich verringern.

Schützen Sie sich vor den Auswirkungen der Vibration durch Wartung des Werkzeugs und des Zubehörs, halten Sie Ihre Hände warm, und organisieren Sie Ihren Arbeitsablauf.

BESCHREIBUNG

Die Buchstaben und Ziffern im folgenden Text verweisen auf die Abbildungen auf den Seiten 2 bis 4.

1. Lock-Off-Taste
2. Ein-/Ausschalter
3. Griff
4. Akku
5. Taste zum Entsperren des Akkus
6. Orbitalhubschalter
7. Skala für Gehrungswinkel
8. Basisplattenabdeckung
9. Basisplatte
10. Führungsrolle
11. Laser-Schalter
12. Schutzvorrichtung
13. Klemmhebel
14. Flügelschrauben für Parallelführung
15. Sechskantschlüssel
16. Spannfutter
17. Sägeblatt

18. Schraube für Basisplatte
19. Parallelführung
20. Laser
21. Schnittmarke
22. Schraube zur Lasereinstellung
23. Knopf für Akku-LED-Anzeigen
24. Akku-LED-Anzeigen
25. Ladegerät
26. Ladegerät-LED-Anzeigen

3. MONTAGE



Nehmen Sie vor allen Arbeiten am Elektrowerkzeug den Akku heraus.



Vor der ersten Verwendung muss der Akku aufgeladen werden.

Einsetzen des Akkus in das Werkzeug (Abb. A, G)



Überprüfen Sie, ob die Außenflächen des Akkus sauber und trocken sind, bevor Sie den Akku an das Ladegerät anschließen oder in das Werkzeug einsetzen.

1. Setzen Sie den Akku (4) in das Gerät ein.
2. Drücken Sie den Akku soweit nach vorn, bis der Akku hörbar einrastet.

Entnehmen des Akkus aus dem Werkzeug (Abb. A, G)

1. Drücken Sie die Akku-Freigabetast (5)
2. Ziehen Sie den Akku aus dem Werkzeug, wie in Abb. G dargestellt.

Überprüfen des Akkuladezustands (Abb. I)

- Drücken Sie zum Überprüfen des Ladezustands kurz die Taste (23) auf dem Akku.
- Der Akku ist mit 3 Leuchten zur Anzeige des Ladezustands ausgestattet. Je mehr davon leuchten, desto höher der Ladezustand.
- Wenn keine der Leuchten an ist, bedeutet das, dass der Akku leer ist und sofort aufgeladen werden muss.

Laden des Akkus über das Ladegerät (Abb. I)

1. Entnehmen Sie den Akku (4) aus dem Werkzeug.
2. Drehen Sie den Akku (4) mit der Unterseite nach oben, und schieben Sie ihn in das Ladegerät (25), wie in Abb. I dargestellt.
3. Drücken Sie den Akku vollständig in die Aufnahme.
4. Stecken Sie den Netzstecker des Ladegeräts in eine Steckdose, und warten Sie einen Moment.

Die LED-Anzeigen am Ladegerät (26) leuchten zur Anzeige des Ladezustands auf.

Das Ladegerät verfügt über 2 LED-Anzeige (26), die den Ladevorgang anzeigt:

Rote LED	Grüne LED:	Status Ladegerät
Aus	Aus	Keine Stromversorgung
Aus	An	Standby-Modus: - Kein Akku eingelegt oder - Akku eingelegt, aber Ladevorgang seit abgeschlossen
An	Aus	Akku wird geladen

- Das vollständige Laden des 2Ah-Akkus kann bis zu 60 Minuten dauern.
- Das vollständige Laden des 4Ah-Akkus kann bis zu 120 Minuten dauern.

Ziehen Sie nach dem vollständigen Laden des Akkus den Stecker des Ladegeräts aus der Netzsteckdose, und entnehmen Sie den Akku aus dem Ladegerät.



Wenn das Werkzeug für einen längeren Zeitraum nicht verwendet wird, sollte das Werkzeug möglichst mit einem voll aufgeladenen Akku aufbewahrt werden.

Wechseln des Sägeblatts (Abb. A, C)



Tragen Sie beim Anbringen des Sägeblatts Schutzhandschuhe. Verletzungsgefahr beim Berühren des Sägeblattes.



Verwenden Sie nur Sägeblätter, die den Kenndaten in der Betriebsanleitung entsprechen.

Anbringen des Sägeblatts



Achten Sie darauf, dass der Sägeblatthalter frei von Materialrückständen ist (zum Beispiel Holz- oder Metallsplinter).

1. Drehen Sie den Klemmhebel (13) so weit wie möglich nach links und halten Sie ihn in dieser Position fest.
2. Setzen Sie das Sägeblatt in das Spannfutter (16) ein. Überprüfen Sie, dass das Sägeblatt

sicher befestigt ist und die Zähne in die Schnitttrichtung zeigen.

3. Lassen Sie den Klemmhebel los. Überprüfen Sie, ob sich die Rückseite des Sägeblatts in der Mitte der Führungsrolle (10) befindet.

Stellen Sie sicher, immer das richtige Sägeblatt für das jeweilige Material zu verwenden. Zum Lieferumfang des Geräts gehört ein grobzahnes Sägeblatt für Holz und ein feinzahnes Sägeblatt für Metall und Kunststoff.

Abnehmen des Sägeblatts

1. Drehen Sie den Klemmhebel (13) so weit wie möglich nach links und halten Sie ihn in dieser Position fest.
2. Nehmen Sie das Sägeblatt aus dem Spannfutter (16).
3. Lassen Sie den Klemmhebel los.

Anbringen der Parallelführung (Abb. D)

1. Lösen Sie die Flügelschrauben (14).
2. Montieren Sie die Parallelführung (19) an der Basisplatte (9).
3. Stellen Sie mit der Skala auf der Parallelführung (14) und der Schnittmarke auf der Basisplatte (20) die gewünschte Schnittbreite ein. Die Schnittmarke (20) zeigt die Position des Sägeblatts an.
4. Ziehen Sie die Flügelschraube (14) fest.

4. BETRIEB

Ein-/Ausschalten der Maschine (Abb. A)

- Um die Maschine zu starten, halten Sie die Lock-Off-Taste (1) gedrückt und drücken den Ein-/Ausschalter (2).
- Je weiter der Ein-/Ausschalter (2) gedrückt wird, desto schneller bewegt sich das Sägeblatt. Die erforderliche Geschwindigkeit hängt vom Material ab und kann durch praktische Tests ermittelt werden.
- Um die Maschine anzuhalten, lassen Sie den Ein-/Ausschalter (2) los.

Ein- und Ausschalten des Lasers (Abb. A)

- Drücken Sie den Laser-Schalter (11), um den Laser ein- oder auszuschalten. Der Laser-Schalter (11) schaltet auch die LED-Arbeitsleuchte ein.

Feinabstimmung des Lasers

Hinweis: Um die Laserfunktion zu testen, muss der Akku in das Elektrowerkzeug eingelegt werden.



Betätigen Sie beim Justieren des Lasers niemals den Ein- / Ausschalter. Ein versehentliches Starten des Elektrowerkzeugs kann zu Verletzungen führen.

Wenn der Laser (11) nicht mehr die richtige Schnittlinie anzeigt, können Sie den Laser neu justieren. Stellen Sie dazu die Schraube zur Lasereinstellung (22) ein und stellen Sie den Laser so ein, dass eine korrekte Schnittlinie angezeigt wird.

Einstellen des Gehrungswinkels (Abb. B, F)

1. Lösen Sie die Schraube (18) mit dem Sechskantschlüssel (15).
2. Stellen Sie die Basisplatte (9) auf die gewünschte Position ein (0°- 45°). Der Sägewinkel (Gehrung) kann an der Skala (7) abgelesen werden.
3. Ziehen Sie die Schraube (7) mit dem Sechskantschlüssel (15) fest. Der Sechskantschlüssel kann wie in Abb. B gezeigt an der Maschine aufbewahrt werden.

Einstellen des Orbitalhubs (Abb. A)

Mit dem Pendelhubschalter wird eingestellt, wie die Zähne des Sägeblatts das Material greifen. Für den Pendelschalter gibt es 4 Positionen:

- 0 - Kein Orbitalhub
- 1 - Geringer Orbitalhub
- 2 - Mittlerer Orbitalhub
- 3 - Starker Orbitalhub

Der erforderliche Orbitalhub kann durch Ausprobieren festgestellt werden, wobei folgende Empfehlungen gelten:

- Weiches Material (Holz, Plastik usw.): Pendel auf Stufe II oder III stellen. Verwenden Sie für einen feineren und saubereren Sägeschnitt die Pendelstufe 0 oder I.
- Für dünnes Material Pendelstufe 0 verwenden.
- Für hartes Material (Stahl usw.) das Pendel auf Stufe 0 stellen.
- Für Kurven das Pendel auf Stufe 0 stellen.

Tauchschnitte (Abb. H)

Tauchschnitte dürfen nur in weiche Materialien wie Holz, Porenbeton, Gipskarton usw. gemacht werden. Dies erfordert jedoch eine gewisse Übung

und ist nur mit kurzen Sägeblättern möglich.

1. Setzen Sie die Säge auf das Werkstück und schalten Sie sie ein.
2. Achten Sie darauf, dass die Unterkante der Basisplatte wie in Abb. H gezeigt auf der Werkstückoberfläche aufliegt.
3. Sägen Sie langsam in einem Winkel in das Werkstück hinein, bringen Sie die Säge dann in eine vertikale Position und sägen Sie weiter entlang der Schnittlinie.
4. Schalten Sie die Säge aus und heben Sie sie nach Abschluss der Arbeit vom Werkstück ab.

Optimale Nutzung

- Spannen Sie das Werkstück ein. Verwenden Sie für kleine Werkstücke eine Spannvorrichtung.
- Zeichnen Sie eine Linie, um die Richtung vorzugeben, in der das Sägeblatt geführt wird.
- Halten Sie die Maschine sicher am Griff fest.
- Stellen Sie die Sägegeschwindigkeit ein.
- Stellen Sie den Gehrungswinkel ein.
- Stellen Sie die Pendelhubposition ein.
- Schalten Sie die Maschine ein.
- Warten Sie, bis die Maschine ihre volle Geschwindigkeit erreicht hat.
- Setzen Sie den Sägeschuh auf das Werkstück.
- Bewegen Sie die Maschine langsam die vorgezeichnete Linie entlang, wobei Sie den Sägeschuh fest gegen das Werkstück drücken.
- Üben Sie nicht zu viel Druck auf die Maschine aus. Lassen Sie die Maschine die Arbeit verrichten.
- Schalten Sie die Maschine aus und warten Sie, bis sie vollkommen zum Stillstand gekommen ist, bevor Sie sie ablegen.

5. WARTUNG



Schalten Sie das Werkzeug immer aus, und entnehmen Sie den Akku aus dem Gerät, bevor Sie Reinigungs- oder Wartungsarbeiten am Werkzeug vornehmen.

Reinigen Sie das Werkzeuggehäuse regelmäßig mit einem weichen Lappen, vorzugsweise nach jeder Verwendung. Stellen Sie sicher, dass die Lüftungsöffnungen frei von Staub und Schmutz sind. Entfernen Sie anhaftenden Schmutz mit einem weichen Lappen, der leicht mit Seifenwasser befeuchtet wurde. Verwenden Sie keine Lösungsmittel wie Benzin, Alkohol, Ammoniak usw., da Chemikalien dieser Art die Kunststoffteile beschädigen.

UMWELTSCHUTZ



Schadhafte und/oder zu entsorgende elektrische oder elektronische Werkzeuge und Geräte müssen an den dafür vorgesehenen Recycling-Stellen abgegeben werden.

Nur für EG-Länder

Entsorgen Sie Elektrowerkzeuge nicht über den Hausmüll. Entsprechend der EU-Richtlinie 2012/19/EG über Elektro- und Elektronik-Altgeräte sowie der Umsetzung in nationales Recht müssen Elektrowerkzeuge, die nicht mehr im Gebrauch sind, getrennt gesammelt und umweltschonend entsorgt werden.

GARANTIE

VONROC-Produkte werden nach den höchsten Qualitätsstandards entwickelt und sind für den gesetzlich festgelegten Zeitraum, ausgehend von dem ursprünglichen Kaufdatum, garantiert frei von Fehlern in Material und Ausführung. Sollte das Produkt in diesem Zeitraum aufgrund von Material- und/oder Verarbeitungsmängeln Fehler aufweisen, wenden Sie sich bitte direkt an VONROC Kundendienst.

Folgende Umstände sind von der Garantie ausgeschlossen:

- Reparaturen und oder Änderungen an der Maschine, die durch nicht-autorisierte Servicetechniken vorgenommen oder versucht wurden.
- Normale Abnutzung und Verschleiß.
- Das Werkzeug wurde übermäßig beansprucht, missbräuchlich verwendet oder falsch gewartet.
- Es wurden keine Original-Ersatzteile verwendet.

Dies stellt die einzige Gewährleistung des Unternehmens dar, sowohl ausdrücklich als auch implizit. Es gibt keine anderen ausdrücklichen oder stillschweigenden Garantien, die über das hier Genannte hinausgehen, einschließlich der stillschweigenden Garantien der Marktgängigkeit oder Eignung für einen bestimmten Zweck. In keinem Fall ist VONROC haftbar für Neben- oder Folgeschäden. Die Rechtsmittel des Händlers beschränken sich auf Reparatur oder Ersatz fehlerhafter Einheiten oder Teile.

Am Produkt und am Benutzerhandbuch können Änderungen vorgenommen werden. Die technischen Daten können sich ohne Vorankündigung ändern.

1. VEILIGHEIDSVOORSCHRIFTEN

Lees de bijgesloten veiligheidswaarschuwingen, de aanvullende veiligheidswaarschuwingen en de instructies. Het niet opvolgen van de veiligheidswaarschuwingen kan elektrische schokken, brand en/of ernstig letsel tot gevolg hebben. Bewaar de veiligheidswaarschuwingen en instructies als naslagwerk voor later.

De volgende symbolen worden gebruikt in de gebruikershandleiding of op het product:



Lees de gebruikershandleiding.



Gevaar voor lichamelijk letsel, overlijden of schade aan de machine wanneer de instructies in deze handleiding niet worden opgevolgd.



Houd omstanders op afstand.



Draag oogbescherming.



Draag gehoorbescherming.



Draag een stofmasker.



Gevaarlijk gebied! Houd uw handen (10cm) van het zaaggebied verwijderd.



Waarschuwing voor laserstraling.



Miniatuurzekering met vertragingstijd.



Max temperatuur 45°C.



Accu niet verbranden.



Accu niet in het water gooien.



Aparte inzameling van Li-ion-accu's.



Het product is in overeenstemming met de van toepassing zijnde veiligheidsnormen in de Europese richtlijnen.

ALGEMENE VEILIGHEIDSVOORSCHRIFTEN



**WAARSCHUWING! Lees alle veiligheids-
waarschuwingen en alle instructies. Het
niet opvolgen van onderstaande instructies
kan leiden tot een elektrische schok, brand
en/of ernstig persoonlijk letsel.**

Bewaar deze instructies.

De term "elektrisch gereedschap" in onderstaande waarschuwingen heeft betrekking op zowel apparatuur met een vaste elektriciteitskabel als op apparatuur met een accu (draadloze apparatuur).

1) Werkgebied

- a) **Zorg voor een opgeruimde en goed verlichte werkomgeving.** Rommelige en donkere werkomgevingen leiden tot ongelukken
- b) **Gebruik elektrisch gereedschap nooit in een omgeving waar explosiegevaar bestaat, zoals in de nabijheid van ontvlambare vloeistoffen, gassen, dampen of andere stoffen.** Elektrische gereedschappen kunnen vonken veroorzaken, die deze stoffen tot ontbranding kunnen brengen.
- c) **Wanneer u elektrisch gereedschap gebruikt, houd dan kinderen en omstanders op afstand.** Wanneer u wordt afgeleid, kunt u de controle over het gereedschap verliezen.

2) Elektrische veiligheid

- a) **Stekkers van elektrische gereedschappen moeten probleemloos passen op het stopcontact. Breng nooit wijzigingen aan in of aan de stekker. Gebruik geen adapters voor geaarde elektrische gereedschappen.** Standaardstekkers en passende stopcontacten verkleinen de kans op een elektrische schok.
- b) **Voorkom lichamelijk contact met geaarde oppervlakken van bijvoorbeeld pijpen, leidingen, radiatoren, fornuizen en koelkasten.** Wanneer uw lichaam geaard is, wordt de kans op een elektrische schok groter.
- c) **Stel elektrische gereedschappen nooit bloot aan regen of vocht.** Wanneer er water binnendringt in een elektrisch gereedschap, wordt de kans op een elektrische schok groter.
- d) **Gebruik het snoer niet om het elektrisch gereedschap te dragen, te verplaatsen of de stekker uit het stopcontact te trekken. Bescherm het snoer tegen olie, warmte, scherpe randen en bewegende delen.** Beschadigde of vastzittende snoeren vergroten

de kans op een elektrische schok.

- e) **Wanneer u elektrische gereedschappen buiten gebruikt, gebruik dan een verlengkabel die geschikt is voor buitengebruik.** Door een kabel te gebruiken die geschikt is voor buitengebruik, wordt de kans op een elektrische schok kleiner.
 - f) **Gebruik een aardlekbeveiliging (RCD) als niet te voorkomen is dat een powertool moet worden gebruikt in een vochtige omgeving.** Gebruik van een RCD vermindert het risico van elektrische schokken.
- #### 3) Persoonlijke veiligheid
- a) **Blijf altijd alert, kijk goed wat u doet en gebruik uw gezonde verstand wanneer u een elektrisch gereedschap gebruikt. Gebruik geen elektrische gereedschappen wanneer u moe bent, of drugs, alcohol of medicijnen hebt gebruikt.** Eén moment van onachtzaamheid bij het gebruik van elektrische gereedschappen kan ernstige verwondingen tot gevolg hebben.
 - b) **Gebruik persoonlijke beschermingsmiddelen. Draag altijd een veiligheidsbril.** Een gepast gebruik van veiligheidsvoorzieningen, zoals een stof masker, speciale werkschoenen met antislipzolen, een veiligheidshelm en gehoorbescherming verkleinen de kans op persoonlijk letsel.
 - c) **Voorkom dat het gereedschap per ongeluk wordt gestart. Zorg dat de schakelaar op de UITpositie staat, voordat u de stekker in het stopcontact steekt.** Draag elektrisch gereedschap nooit met uw vinger op de schakelaar en steek ook nooit de stekker van ingeschakelde elektrische gereedschappen in het stopcontact: dit leidt tot ongelukken.
 - d) **Verwijder alle instel en andere sleutels uit het elektrisch gereedschap voordat u hem inschakelt.** Instel en andere sleutels aan een ronddraaiend onderdeel van het elektrisch gereedschap kunnen tot verwondingen leiden.
 - e) **Zorg dat u nooit uw evenwicht kunt verliezen; houd altijd twee voeten stevig op de vloer.** Hierdoor kunt u het elektrisch gereedschap in onverwachte situaties beter onder controle houden.
 - f) **Zorg dat u geschikte kleding draagt. Draag geen loshangende kleding of sieraden. Houd uw haar, kleding en handschoenen uit de buurt van bewegende delen.** Loshangende kleding, sieraden en lang haar kunnen vast komen te zitten in bewegende delen.

- g) **Wanneer er voorzieningen zijn voor de aansluiting van stofafzuiginstallaties, zorg dan dat ze op de juiste wijze worden aangesloten en gebruikt.** Gebruik van deze voorzieningen vermindert de gevaren die door stof worden veroorzaakt.
- h) **Denk niet dat doordat u gereedschap vaak gebruikt, u wel weet hoe het allemaal werkt en dat u de veiligheidsbeginselen voor het gebruik van het gereedschap wel kunt negeren.** Een onbezonnen actie kan in een fractie van een seconde ernstig letsel tot gevolg hebben.
- 4) Gebruik en onderhoud van elektrisch gereedschap**
- a) **Oefen geen overmatige kracht uit op elektrisch gereedschap. Gebruik het juiste gereedschap voor uw specifieke toepassing.** Met het juiste elektrische gereedschap voert u de taak beter en veiliger uit wanneer dit op de snelheid gebeurt waarvoor het apparaat is ontworpen.
- b) **Gebruik nooit elektrisch gereedschap waarvan de AAN/UITschakelaar niet werkt.** Ieder elektrisch gereedschap dat niet kan worden in en uitgeschakeld met de schakelaar is gevaarlijk en moet worden gerepareerd.
- c) **Trek de stekker uit het stopcontact voordat u wijzigingen aanbrengt aan elektrische gereedschappen, accessoires verwisselt of het elektrisch gereedschap opbergt.** Wanneer u zich aan deze preventieve veiligheidsmaatregelen houdt, beperkt u het risico dat het gereedschap per ongeluk wordt gestart.
- d) **Berg elektrisch gereedschap dat niet in gebruik is op buiten bereik van kinderen en laat personen die niet bekend zijn met het gereedschap of deze instructies het apparaat niet gebruiken.** Elektrisch gereedschap is gevaarlijk in de handen van ongeoeffende gebruikers.
- e) **Zorg voor een goed onderhoud van elektrisch gereedschap. Controleer of bewegende delen op de juiste wijze zijn vastgezet. Controleer ook of er geen onderdelen defect zijn of dat er andere omstandigheden zijn die van invloed kunnen zijn op de werking van het gereedschap. Laat het gereedschap bij beschadigingen repareren vóór gebruik.** Veel ongelukken worden veroorzaakt door slecht onderhoud van het gereedschap.
- f) **Zorg dat snij en zaagwerktuigen scherp en schoon blijven.** Goed onderhouden snij en zaagwerktuigen met scherpe randen zullen minder snel vastlopen en zijn eenvoudiger onder controle te houden.
- g) **Gebruik alle elektrische gereedschappen, accessoires, bitjes etc., zoals aangegeven in deze instructies en op de wijze waarvoor het gereedschap is ontworpen. Houd daarbij rekening met de werkomstandigheden en de uit te voeren taak.** Gebruik van elektrisch gereedschap voor handelingen die afwijken van de taken waarvoor het apparaat is ontworpen kunnen leiden tot gevaarlijke situaties.
- h) **Houd handgrepen en greepoppervlakken droog, schoon en vrij van olie en vet.** Gladde handgrepen en greepoppervlakken maken veilig werken en controle over het gereedschap in onverwachte situaties onmogelijk.
- 5) Gebruik en onderhoud accugereedschap**
- a) **Laad alleen op met de lader die door de fabrikant is gespecificeerd.** Een lader die voor een bepaalde accu geschikt is, kan brand veroorzaken wanneer deze met een andere accu wordt gebruikt.
- b) **Gebruik elektrisch gereedschap alleen met de speciaal hiervoor bedoelde accu's.** Gebruik van andere accu's kan kans op letsel en brand geven.
- c) **Wanneer de accu niet in gebruik is, houd deze dan uit de buurt van andere metalen voorwerpen zoals paperclips, munten, sleutels, spijkers, schroeven of andere kleine metalen voorwerpen die een verbinding tussen twee polen kunnen maken.** Kortsluiting tussen de accupolen kan brandwonden of brand veroorzaken.
- d) **Wanneer de accu niet juist wordt gebruikt, kan er vloeistof uit lopen; raak dit niet aan. Wanneer dit per ongeluk wel gebeurt, spoel dan met water. Wanneer de vloeistof in de ogen komt, moet u een arts raadplegen.** De vloeistof uit de accu kan irritaties of brandwonden veroorzaken.
- e) **Gebruiken niet een accu of gereedschap dat beschadigd is of gemodificeerd.** Beschadigde of gemodificeerde accu's kunnen onvoorspelbaar gedrag vertonen, wat brand, explosie of een risico van letsel met zich meebrengt.
- f) **Stel een accu over het gereedschap niet bloot aan open vuur of een uitzonderlijk hoge temperatuur.** Blootstelling aan vuur of een temperatuur hoger dan 130 °C, kan een explosie veroorzaken. NB De temperatuur van "130 °C" kan worden vervangen door de temperatuur van "265 °F".
- g) **Houd u aan alle instructies voor het laden en**

laad de accu of het gereedschap niet op buiten het temperatuurbereik dat in de instructies wordt aangeduid. Op een onjuiste wijze laden of laden bij temperaturen buiten het aangeduide bereik kan de accu beschadigen en het risico van brand doen toenemen.

6) Service

- Laat uw gereedschap onderhouden door een gekwalificeerde onderhoudstechnicus die alleen gebruikmaakt van identieke vervangingsonderdelen.** Dit zorgt ervoor dat de veiligheid van de power tool intact blijft.
- Voer nooit servicewerkzaamheden uit aan beschadigde accu's.** Alleen de fabrikant of geautoriseerde service-providers mogen servicewerkzaamheden aan accu's uitvoeren.

VEILIGHEIDSVOORSCHRIFTEN VOOR DECOUPEERZAGEN

- Waarschuwing voor laserstraling.** Laserklasse 2, P max.: <1 mW, λ: 650 nm, EN 60825-1: 2014. Richt de laserstraal niet op personen of dieren en kijk zelf ook niet in de laser, zelfs niet van een afstand. Dit elektrisch gereedschap gebruikt een klasse 2 straling in overeenstemming met de NEN-EN 60825-1. Deze straling kan personen verblinden.
- Houd het gereedschap aan de geïsoleerde greepvlakken vast als u werkzaamheden uitvoert waarbij het inzetgereedschap verborgen stroomleidingen kan raken.** Contact met een onder spanning staande leiding kan ook metalen delen van het gereedschap onder spanning zetten en tot een elektrische schok leiden.
- Houd uw handen uit de buurt van de plaats waar wordt gezaagd.** Grijp niet onder het werkstuk. Bij aanraking van het zaagblad bestaat verwondingsgevaar.
- Beweeg het elektrische gereedschap alleen ingeschakeld naar het werkstuk.** Anders bestaat er gevaar voor een terugslag als het inzetgereedschap in het werkstuk vasthaakt.
- Let erop dat de voetplaat bij het zagen stabiel ligt.** Een schuin zaagblad kan breken of tot een terugslag leiden.
- Schakel het elektrische gereedschap na beëindiging van de werkzaamheden uit en trek het zaagblad pas uit de zaagsnede nadat het gereedschap tot stilstand is gekomen.** Zo voorkomt u een terugslag en kunt u het elektrische gereedschap veilig neerleggen.

- Gebruik alleen onbeschadigde zaagbladen die helemaal in orde zijn.** Verbogen of niet-scherpe zaagbladen kunnen breken, het zagen negatief beïnvloeden of een terugslag veroorzaken.
- Rem het zaagblad na het uitschakelen niet af door er aan de zijkant tegen te drukken.** Anders kan het zaagblad beschadigd worden, breken of een terugslag veroorzaken.
- Gebruik een geschikt detectieapparaat om verborgen stroom-, gas- of waterleidingen op te sporen of raadpleeg het plaatselijke energie- of waterleidingbedrijf.** Contact met elektrische leidingen kan tot brand of een elektrische schok leiden. Beschadiging van een gasleiding kan tot een explosie leiden. Breuk van een waterleiding veroorzaakt materiële schade.
- Zet het werkstuk vast.** Een met spanvoorzieningen of een bankschroef vastgehouden werkstuk wordt beter vastgehouden dan u met uw hand kunt doen.
- Wacht tot het elektrische gereedschap tot stilstand is gekomen voordat u het neerlegt.** Het inzetgereedschap kan vasthaken en dit kan tot het verlies van de controle over het elektrische gereedschap leiden.
- Gebruik klemmen of een andere praktische manier om het werkstuk op een stabiele ondergrond te ondersteunen en vast te zetten.** Wanneer u het werkstuk in uw handen vasthoudt of tegen uw lichaam klemt kunt u de controle over het werkstuk verliezen.

VEILIGHEIDSVOORSCHRIFTEN VOOR DE ACCU

- Open de accu niet.** Er bestaat gevaar voor kortsluiting.
- Bescherm de accu tegen hitte, bijvoorbeeld ook tegen voortdurend zonlicht, vuur, water en vocht.** Er bestaat explosiegevaar.
- Bij beschadiging en onjuist gebruik van de accu kunnen er dampen vrijkomen. Zorg voor frisse lucht en raadpleeg bij klachten een arts.** De dampen kunnen de lucht wegen irriteren.
- Gebruik de accu alleen in combinatie met uw Vonroc product.** Alleen zo wordt de accu tegen gevaarlijke overbelasting beschermd.
- Door scherpe voorwerpen, zoals bijv. spijkers of schroevendraaiers of door krachthinwerking van buitenaf kan de accu beschadigd worden.** Het kan tot een interne kortsluiting leiden en de accu doen branden, roken, exploderen of oververhitten.

VEILIGHEIDSVOORSCHRIFTEN VOOR DE LADER**Bedoeld gebruik**

Laad uitsluitend herlaadbare accupacks van het type CD801AA en CD803AA. Andere typen accu's kunnen exploderen, wat lichamelijk letsel en schade kan veroorzaken.

- Het apparaat dient niet te worden gebruikt door personen (inclusief kinderen) met verminderde fysieke, zintuiglijke of mentale functies of personen zonder enige ervaring en kennis, tenzij zij onder toezicht staan of zijn geïnstrueerd.**
- Laat kinderen onder toezicht niet met het apparaat spelen.**
- Laad niet-herlaadbare accu's niet opnieuw op!**
- Plaats de accu's tijdens het opladen in een goed geventileerde ruimte!**

2. TECHNISCHE INFORMATIE**Bedoeld gebruik**

De machine is bedoeld voor het zagen van hout, metaal, kunststoffen, keramiek, rubber, enz. in ieder gewenst formaat en iedere gewenste vorm, terwijl de grondplaat stevig op het werkstuk blijft rusten. Er moet altijd een geschikt zaagblad worden gebruikt.

TECHNISCHE SPECIFICATIES

Deze gebruikshandleiding is opgesteld voor verschillende sets / artikelnummers.

Controleer het bijbehorende artikelnummer in de onderstaande specificaties voor de juiste samenstelling en inhoud van uw set.

Model Nr.	Batterijen meegeleverd	Acculader meegeleverd
JS501DC	-	-
S_JS501DC	CD801AA	CD802AA
S2_JS501DC	2 x CD801AA	CD802AA
S3_JS501DC	CD803AA	CD802AA
S4_JS501DC	CD801AA	CD802AA

Technische informatie	
Spanning	20V
Onbelast toerental	0-2500/min
Zaagbeweging	25mm
Max. zaagcapaciteit hout 0°	50mm
Max. zaagcapaciteit staal 0°	8mm

Gewicht	1,85 kg
Geluidsdruk LPA	82,0 dB(A), K=3dB(A)
Geluidsniveau LWA	93,0 dB(A), K=3dB(A)
Trillingen 'zagen metalen plaat'	5,459 m/s ² K=1,5 m/s ²
Trillingen 'zagen multiplex'	5,658 m/s ² K=1,5 m/s ²

Model Nr.	CD801AA
Accu type	Lithium-Ion
Voltage	20V
Vermogen	2,0 Ah
Aanbevolen laadapparaat	CD802AA
Gewicht	0,3 kg

Model Nr.	CD802AA
Acculader ingang	220-240V, 50Hz 0,4A
Acculader uitgangsvermogen	21V 2,5A
Oplaadtijd 2Ah accu	60 minuten
Oplaadtijd 4Ah accu	120 minuten
Aanbevolen accu's	CD801AA, CD803AA
Gewicht	0,36 kg

Model Nr.	CD803AA
Accu type	Lithium-Ion
Voltage	20V
Vermogen	4,0 Ah
Aanbevolen laadapparaat	CD802AA
Gewicht	0,65 kg

Gebruik uitsluitend de volgende accu's van het VONROC VPOWER 20V accu-platform. Gebruik van andere accu's kan leiden tot ernstig letsel of tot beschadiging van het gereedschap.

CD801AA 20V, 2Ah Lithium-Ion
 CD803AA 20V, 4Ah Lithium-Ion

De volgende lader kan worden gebruikt voor het opladen van deze accu's.

CD802AA Snellader

De accu's van het VONROC VPOWER 20V accu-platform kunnen worden gewisseld tussen alle gereedschappen van het VONROC VPOWER 20V accu-platform.

Trillingsniveau

Het trillingsemissieniveau, dat in deze gebruiksaanwijzing wordt vermeld, is gemeten in overeenstemming met een gestandaardiseerde test volgens EN 62841; deze mag worden gebruikt om twee machines met elkaar te vergelijken en als voorlopige beoordeling van de blootstelling aan trilling bij gebruik van de machine voor de vermelde toepassingen.

- Het gebruik van de machine voor andere toepassingen, of met andere of slecht onderhouden accessoires, kan het blootstellingsniveau aanzienlijk verhogen.
- Wanneer de machine is uitgeschakeld of wanneer deze loopt maar geen werk verricht, kan dit het blootstellingsniveau aanzienlijk reduceren.

Bescherm uzelf tegen de gevolgen van trilling door de machine en de accessoires te onderhouden, uw handen warm te houden en uw werkwijze te organiseren.

BESCHRIJVING

De nummers in de tekst verwijzen naar de diagrammen op pagina 2-4.

1. Knop voor vergrendeling in de Uit-stand
2. Aan/Uit-schakelaar
3. Handgreep
4. Accu
5. Ontgrendelingsknop accu
6. Schakelaar voor rondgaande werking
7. Schaalverdeling voor verstekhoek
8. Grondplaatafdekking
9. Grondplaat
10. Geleideroller
11. Laser-schakelaar
12. Beschermkap
13. Klemhendel
14. Vleugelbouten voor parallelle geleiding
15. Inbussleutel
16. Zaaghouder
17. Zaagblad
18. Bout voor grondplaat
19. Parallelle geleider
20. Laser
21. Zaagmerkteken
22. Schroef voor laserafstelling
23. Knop LED-indicatielampjes accu
24. LED-indicatielampjes accu
25. Lader
26. LED-indicatielampjes accu

3. ASSEMBLAGE



Neem altijd voor werkzaamheden aan het elektrische gereedschap de accu uit het gereedschap.



De accu moet zijn opgeladen voordat deze voor het eerst wordt gebruikt.

De accu in de machine plaatsen (Afb. A, G)



Zorg ervoor dat het oppervlak van de accu schoon en droog is voordat u deze op de acculader of de machine aansluit.

1. Plaats de accu (4) in de onderkant van de machine, zoals is weergegeven in Fig. G.
2. Duw de accu verder naar voren tot deze vastklikt.

De accu van de machine verwijderen (Afb. A, G)

1. Duw op de ontgrendelingsknop van de accu (5)
2. Trek de accu uit de machine zoals afgebeeld in Fig. G.

De laadstatus van de accu controleren (Afb. I)

- Druk kort op de knop (23) op de accu om de laadstatus van de accu te controleren.
- Op de accu bevinden zich 3 lampjes die het laadniveau aangeven. Hoe meer lampjes branden, des te meer is de accu opgeladen.
- Wanneer de lampjes niet branden, wil dit zeggen dat de accu leeg is en onmiddellijk moet worden opgeladen.

De accu laden met de acculader (Afb. I)

1. Haal de accu (4) uit de machine.
2. Draai de accu (4) ondersteboven en schuif deze op de acculader (25), zoals is weergegeven in Afb. I.
3. Duw op de accu tot deze volledig in de sleuf zit.
4. Steek de stekker van de acculader in een stopcontact en wacht even. De LED-lampjes op de acculader (26) gaan branden en tonen de status van de lader.

De acculader heeft 2 led-controlelampjes (26) dat de status van het laadproces aangeeft:

Status rode LED	Status groene LED	Status van acculader
Uit	Uit	Geen stroom
Uit	Aan	Standby mode: - Geen accu geplaatst, of - Opladen van de accu is beëindigd, de accu is volledig opgeladen
Aan	Uit	Bezig met opladen van accu

- Het kan tot 60 minuten duren voordat de 2Ah accu volledig is opgeladen.
- Het kan tot 120 minuten duren voordat de 4Ah accu volledig is opgeladen.

Verwijder, als de accu volledig is opgeladen, de stekker van de acculader uit het stopcontact en haal de accu uit de acculader.



Wanneer deze machine gedurende een langere tijd niet wordt gebruikt, is het raadzaam de accu te bewaren in opgeladen toestand.

Het zaagblad vervangen (Afb. A, C)



Draag beschermende handschoenen wanneer u het zaagblad monteert. Gevaar voor persoonlijk letsel wanneer u het zaagblad aanraakt.



Gebruik alleen zaagbladen waarvan de typische gegevens overeenkomen met die in de bedieningsinstructies.

Het zaagblad monteren



Let erop dat de zaagbladhouders vrij is van resten van materiaal (zoals splinters van hout of metaal).

1. Draai de klemhendel (13) zover mogelijk naar links en houd de hendel in die positie.
2. Steek het zaagblad in de zaaghouder (16). Controleer dat het zaagblad stevig bevestigd is en dat de tanden in de zaagrichting wijzen.
3. Laat de klemhendel los. Controleer dat de ach-

terzijde van het zaagblad in het midden van de geleideroller (10) is bevestigd.

Gebruik vooral het juiste zaagblad voor het te zagen metaal. Bij de machine wordt een grof zaagblad voor hout en een fijn zaagblad voor metaal en kunststoffen geleverd.

Het zaagblad verwijderen

1. Draai de klemhendel (13) zover mogelijk naar links en houd de hendel in die positie.
2. Haal het zaagblad uit de zaaghouder (16).
3. Laat de klemhendel los.

De parallelle geleiding bevestigen (Afb. D)

1. Draai de vleugelbouten (14) los.
2. Monteer de parallelle geleiding (19) op de grondplaat (9).
3. Stel de gewenste zaagbreedte in met de schaalverdeling op de parallelle geleiding (14) en met het zaagmerkteken op de grondplaat (20). Het zaagmerkteken (20) geeft de positie van het zaagblad aan.
4. Zet de vleugelbouten (14) vast.

4. BEDIENING

De machine in-/uitschakelen (Afb. A)

- U kunt de machine starten door op de knop (1) voor vergrendeling de Uit-stand te drukken en ingedrukt te houden en op de Aan/Uit-schakelaar (2) te drukken.
- Hoe verder u de Aan/Uit-schakelaar (2) duwt, des te sneller zal het zaagblad bewegen. Welke snelheid nodig is, is afhankelijk van het materiaal en kan door middel van een zaagtest worden vastgesteld.
- U kunt de machine uitschakelen door de Aan/Uit-schakelaar (2) los te laten.

De laser in-/uitschakelen (Afb. A)

- Schakel de laser in of uit door op de laser-schakelaar (11) te drukken. De laser-schakelaar (11) schakelt ook het LED-werklicht in.

Fijnafstemming van de laser

Opmerking: om de laserfunctie te testen, moet de batterij in het elektrisch gereedschap worden geplaatst.



Pas tijdens het instellen van de laser nooit de aan / uit-schakelaar aan. Het per ongeluk starten van het elektrische gereedschap kan tot letsel leiden.

Als de laser (11) niet meer de juiste zaaglijn aangeeft, kunt u de laser opnieuw afstellen. Dat doet u door de Schroef voor laserafstelling (22) af te stellen, totdat de laser in een correcte zaaglijn aangeeft.

De verstekhoek aanpassen (Afb. B, F)

1. Draai de bout (18) los met de inbussleutel (15).
2. Stel de grondplaat (9) af in de gewenste positie (0°- 45°). De zaaghoek (verstek) kan worden afgelezen van de schaalverdeling (7).
3. Draai de bout (7) vast met de inbussleutel (15). U kunt de inbussleutel op de machine opbergen, zoals wordt getoond in Afb. B.

De functie voor rondgaande werking (Afb. A)

Met de schakelaar voor de slingerwerking stelt u in hoe de tanden van het zaagblad in het materiaal grijpen. De schakelaar voor de slingerwerking kan in 4 standen worden gezet:

- 0 - Niet rondgaande werking
- 1 - Weinig rondgaande werking
- 2 - Middelste stand rondgaande werking
- 3 - Veel rondgaande werking

Hoeveel de functie voor de rondgaande werking moet worden toegepast kan worden bepaald door praktijktests, maar u kunt de volgende instructies in acht nemen:

- Zacht materiaal (hout, kunststoffen, enz.): stel de slinger in op niveau II of III. Met de slingerwerking ingesteld op niveau 0 of I bereikt u een fijnere en schonere zaagsnede.
- Dun materiaal, slingerwerking op niveau 0.
- Hard materiaal (staal etc.): stel de slingerwerking in op niveau 0.
- Krommingen: stel de slingerwerking in op niveau 0.

Insteekzagen (Afb. H)

U kunt de functie insteekzagen alleen gebruiken in zachte materialen, zoals hout, gasbeton, gipsplaten, enz. Dit vraagt echter enige oefening en is alleen mogelijk met korte zaagbladen.

1. Plaats de zaag op het werkstuk en schakel de zaag in.

2. Let erop dat de onderste rand van de voetplaat op het oppervlak van het werkstuk rust, zoals wordt getoond in Afb. H.
3. Zaag langzaam onder een hoek in het werkstuk, terwijl u de zaag naar een verticale stand langs de zaaglijn beweegt.
4. Schakel de zaag uit en haal de zaag van het werkstuk wanneer het werk is voltooid.

Optimaal gebruik

- Klem het werkstuk vast. Gebruik klemgereedschap voor kleine werkstukken.
- Teken een lijn om de richting te bepalen waarin het zaagblad moet worden geleid.
- Houd de machine stevig vast bij de handgreep.
- Stel de zaagsnelheid in.
- Stel de verstekhoek in.
- Stel de pendelpositie in.
- Schakel de machine in.
- Wacht totdat de machine volledig op snelheid is.
- Plaats de zaagschoen op het werkstuk.
- Beweeg de machine langs de vooraf getekende lijn, waarbij de zaagschoen stevig tegen het werkstuk wordt gedrukt.
- Oefen niet te veel druk uit op de machine. Laat de machine het werk doen.
- Schakel de machine uit en wacht totdat de machine volledig tot stilstand is gekomen voordat u de machine wegzet.

5. ONDERHOUD



Schakel, voordat u met de reiniging en het onderhoud begint, altijd de machine uit en haal het accupack uit de machine.

Reinig de machinebehuizing regelmatig met een zachte doek, bij voorkeur iedere keer na gebruik. Zorg dat de ventilatiesleuven vrij van stof en vuil zijn. Gebruik bij hardnekkig vuil een zachte doek bevochtigd met zeepwater. Gebruik geen oplosmiddelen als benzine, alcohol, ammonia, etc. Dergelijke stoffen beschadigen de kunststof onderdelen.

MILIEU



Defecte en/of afgedankte elektrische of elektronische gereedschappen dienen ter verwerking te worden aangeboden aan een daarvoor verantwoordelijke instantie.

Uitsluitend voor EG-landen

Werp elektrisch gereedschap niet weg bij het huisvuil. Conform de Europese Richtlijn 2012/19/EG voor Afdankte Elektrische en Elektronische Apparatuur en de implementatie ervan in nationaal recht moet niet langer te gebruiken elektrisch gereedschap gescheiden worden verzameld en op een milieuvriendelijke wijze worden verwerkt.

GARANTIE

VONROC producten zijn ontworpen volgens de hoogste kwaliteitsstandaarden en gegarandeerd vrij van defecten, zowel materieel als fabrieksfouten, tijdens de wettelijk vastgestelde garantieperiode vanaf de eerste aankoopdatum. Mocht het product tijdens deze periode gebreken vertonen veroorzaakt door defecte materialen en/of fabrieksfouten, neem dan rechtstreeks contact op met VONROC.

De volgende situaties vallen niet onder de garantie:

- Er zijn reparaties of aanpassingen aan de machine uitgevoerd, of er is een poging daartoe ondernomen, door een nietgeautoriseerd servicecentrum.
- Normale slijtage.
- De machine is misbruikt, verkeerd gebruikt of slecht onderhouden.
- Er zijn niet-originele reserveonderdelen gebruikt.

Dit vormt de enige garantie opgesteld door het bedrijf zowel expliciet als impliciet. Er bestaan geen andere garanties expliciet of impliciet welke verder gaan dan deze garantie, inclusief impliciete garanties van verkoopbaarheid en geschiktheid voor bepaalde doeleinden. In geen enkel geval kan VONROC aansprakelijk worden gesteld voor incidentele schade of gevolgschade. Reparaties van dealers zijn gelimiteerd tot de reparatie of vervanging van defecte producten of onderdelen.

Het product en de gebruikershandleiding zijn onderhevig aan wijzigingen. Specificaties kunnen zonder opgave van redenen worden gewijzigd.

1. CONSIGNES DE SÉCURITÉ

En plus des avertissements de sécurité suivants, veuillez également lire les avertissements de sécurité additionnels ainsi que les instructions. Le non-respect des avertissements de sécurité et des instructions peut entraîner une décharge électrique, un incendie et/ou des blessures graves. Veuillez conserver les avertissements de sécurité et les instructions pour consultation ultérieure.

Les symboles suivants sont utilisés dans le manuel d'utilisation ou apposés sur le produit:



Lisez le manuel d'utilisation.



Signale un risque de blessures, un danger mortel ou un risque d'endommagement de l'outil en cas de non-respect des instructions de ce manuel.



Tenir les autres personnes à distance.



Porter une protection oculaire.



Porter une protection auditive.



Porter un masque antipoussière.



Zone de danger ! Tenir les mains éloignées (10 cm) de la zone de coupe lorsque la machine est en marche. Risque de blessure en cas de contact avec la lame de scie.



Avertissement de rayonnement laser.



Fusible miniature à fusion lente.



Température max. 45°C.



Ne jetez pas la batterie au feu.



Ne jetez pas la batterie dans de l'eau.



Separate collection for Li-ion battery.



Le produit est conforme aux normes de sécurité en vigueur spécifiées dans les directives européennes.

CONSIGNES GÉNÉRALES DE SÉCURITÉ



AVERTISSEMENT! Veuillez lire l'intégralité des avertissements de sécurité et des instructions. Le nonrespect de toutes les instructions indiquées cidessous peut entraîner un risque de choc électrique, d'incendie et/ou de blessures graves.

Conservez ces instructions.

Le terme "appareil électrique" mentionné dans tous les avertissements cidessous se rapporte à un appareil électrique qui se branche au réseau électrique (grâce à un câble d'alimentation) ou à un appareil électrique (sans fil) fonctionnant grâce à une batterie.

1) espace de travail

- a) **Veillez toujours à garder votre espace de travail propre et bien éclairé.** Les espaces mal rangés et sombres peuvent être la cause d'accidents.
- b) **N'utilisez pas les appareils électriques dans des environnements susceptibles d'explosion, par exemple en présence de liquides inflammables, de gaz ou de particules.** Les appareils électriques provoquent des étincelles qui peuvent enflammer les particules des émanations.
- c) **Veillez à garder éloignés les enfants et les personnes se trouvant dans votre voisinage, lors de l'utilisation d'un appareil électrique.** Les distractions peuvent vous faire perdre le contrôle de l'appareil.

2) mesures de sécurité électriques

- a) **Les prises des appareils électriques doivent être raccordées à la prise murale correspondante. Ne modifiez jamais la prise de l'appareil, de quelque façon que ce soit. N'utilisez pas d'adaptateurs qui mettent les appareils électriques à la terre (mise à la masse).** Des prises non modifiées et branchées à la prise murale correspondante réduiront les risques de choc électrique.
- b) **Évitez le contact direct avec les surfaces mises à la terre ou mises à la masse comme les canalisations, les radiateurs, les cuisinières et les réfrigérateurs.** En effet, le risque de choc électrique s'accrut si votre corps est mis à la terre ou à la masse.
- c) **N'utilisez pas d'outils électriques dans des environnements pluvieux ou humides.** Si de l'eau s'introduit dans un appareil électrique, le risque

de choc électrique augmentera.

- d) **N'utilisez pas le câble de manière abusive. N'utilisez jamais le câble pour transporter, tirer ou débrancher l'appareil électrique. Veillez à garder le câble éloigné des sources de chaleur, des huiles, des rebords coupants ou des pièces actionnées.** Les câbles endommagés ou entremêlés augmentent le risque de choc électrique.
- e) **Lorsque un appareil est utilisé à l'extérieur, utilisez uniquement un câble prolongateur prévu à cet effet.** L'utilisation d'un câble à usage extérieur réduit le risque de choc électrique.
- f) **Si vous êtes contraint d'utiliser un outil électrique dans un environnement humide, utilisez une alimentation protégée par un dispositif à courant résiduel (RCD).** L'utilisation d'un RCD réduit le risque de décharge électrique.

3) Sécurité personnelle

- a) **Restez vigilant, gardez un œil sur ce que vous faites et utilisez votre sens commun lors de l'utilisation d'un appareil électrique. N'utilisez pas un appareil électrique si vous êtes fatigué ou si vous êtes sous l'influence de drogues, d'alcool ou si vous prenez des médicaments.** Un moment d'inattention lors de l'utilisation des appareils électriques peut entraîner des blessures graves.
- b) **Utilisez un équipement de protection personnelle. Protégez-vous toujours les yeux.** Les équipements de protection, tels qu'un masque à poussière, des chaussures antidérapantes, des protections auditives ou un casque de sécurité, utilisés dans de bonnes conditions, réduiront le risque de blessures.
- c) **Prévenez tout démarrage involontaire. Assurez-vous que l'interrupteur est sur la position "arrêt avant de brancher l'appareil.** En effet, le transport des appareils électriques en gardant vos doigts sur l'interrupteur, ou le branchement de ces appareils en ayant l'interrupteur sur "marche accidents.
- d) **Retirez les clés de réglage ou les clés de vis de réglage avant d'allumer l'appareil électrique.** Une clé de vis de réglage ou une clé, laissée sur une pièce en mouvement de l'appareil électrique, peut entraîner des lésions corporelles.
- e) **Ne pas se précipiter. Gardez toujours vos pieds à plat et gardez votre équilibre.** Ceci permet de mieux contrôler l'appareil électrique dans des situations imprévues.
- f) **Habilitez-vous convenablement. Ne portez pas**

- de vêtements lâches ou de bijoux. Gardez vos cheveux, vêtements et gants éloignés des pièces actionnées.** En effet, ces derniers peuvent être pris dans les pièces en action.
- g) **Si les appareils sont fournis pour la connexion des équipements d'évacuation et de récupération de la poussière, assurez-vous que ces derniers soient correctement connectés et utilisés.** L'utilisation de ces appareils peut réduire les risques liés à la poussière.
- h) **Ne pensez pas être familiarisé avec l'outil après l'avoir utilisé à de nombreuses reprises, au point de ne plus rester vigilant et d'en oublier les consignes de sécurité.** Toute action imprudente peut engendrer de graves blessures en une fraction de seconde.
- 4) **Utilisation et entretien d'un appareil électrique**
- a) **Ne forcez pas l'appareil électrique. Utilisez l'appareil électrique adéquat pour votre application.** Un appareil électrique correct me choisi assurera un meilleur travail et un travail sans danger, au rythme auquel il a été conçu.
- b) **N'utilisez pas l'appareil électrique si l'interrupteur marche/arrêt ne fonctionne pas.** Un appareil électrique qui ne peut pas être commandé par l'interrupteur de contrôle est dangereux et doit être réparé.
- c) **Débranchez la prise du bloc d'alimentation avant d'effectuer des réglages, de changer des accessoires, ou de ranger les appareils électriques.** Ces mesures de sécurité préventives réduiront le risque de démarrage involontaire de l'appareil électrique.
- d) **Rangez les appareils électriques arrêtés hors de la portée des enfants et ne laissez aucune personne, non familiarisée avec l'outil ou ces instructions, utiliser l'appareil électrique.** Les appareils électriques sont dangereux entre les mains d'utilisateurs non formés.
- e) **Entretenez les appareils électriques. Vérifiez tout défaut d'alignement et l'enchaînement des pièces actionnées, la rupture de ces dernières, et les autres conditions qui peuvent affecter le fonctionnement des appareils électriques. En cas de dommages, faites réparer l'appareil électrique avant de le réutiliser.** Nombreux sont les accidents provoqués par des appareils électriques mal entretenus.
- f) **Veillez à garder les outils coupants aiguisés et propres.** Des outils coupants correctement entretenus avec des lames aiguisées sont moins susceptibles de se bloquer et sont plus faciles à contrôler.
- g) **Utilisez l'appareil électrique, les accessoires et les embouts, etc., conformément à ces instructions et de la manière prévue pour le type spécifique de l'appareil électrique, en prenant en compte les conditions de travail et le travail à effectuer.** L'utilisation de l'appareil électrique dans des applications différentes de celles prévues peut entraîner des situations dangereuses.
- h) **Gardez les poignées et les surfaces de préhension sèches, propres et exemptes d'huile et de graisse.** Des poignées et des surfaces de préhension glissantes ne permettent pas de manipuler et de contrôler l'outil correctement en cas de situations inattendues.
- h) **Gardez les poignées et les surfaces de préhension sèches, propres et exemptes d'huile et de graisse.** Des poignées et des surfaces de préhension glissantes ne permettent pas de manipuler et de contrôler l'outil correctement en cas de situations inattendues.
- 5) **Utiliser et soigner les outils à batterie**
- a) **Rechargez la batterie uniquement avec le chargeur spécifié par le fabricant.** Un chargeur adapté à une certaine batterie peut être cause de danger d'incendie quand on l'utilise avec une batterie différente.
- b) **Utilisez chaque outil uniquement avec la batterie conçue pour lui.** L'utilisation de toute autre batterie peut être cause de danger de blessure ou d'incendie.
- c) **Lorsque une batterie n'est pas en usage, gardez-la hors d'atteinte d'objets métalliques tels que les trombones, pièces de monnaie, clés, clous, vis et autres petits objets métalliques pouvant faire le contact entre une borne et l'autre.** Un court-circuit entre les bornes de la batterie peut être cause de brûlures ou d'incendie.
- d) **Dans des circonstances extrêmes, du liquide peut gicler hors de la batterie ; évitez tout contact. En cas de contact accidentel, rincez à l'eau. En cas de contact du liquide avec les yeux, consultez un médecin.** Le liquide qui gicle d'une batterie peut causer irritations ou brûlures.
- e) **N'utilisez pas un bloc-batterie ou un outil endommagé ou modifié.** Une batterie endommagée ou altérée peut avoir un comportement imprévisible qui peut conduire à un incendie, une explosion ou un risque de blessure.
- f) **N'exposez pas le bloc-batterie ou l'outil au feu**

ou à des températures excessives. L'exposition au feu ou à des températures dépassant 130 °C peut provoquer une explosion. REMARQUE La température de "130°C" peut être remplacé par la température de "265°F".

- g) **Respectez les instructions pour la charge et ne rechargez pas le bloc-batterie ou l'outil à une plage de températures hors de celle spécifiée dans les instructions.** Une charge mal effectuée ou à des températures hors de la plage spécifiée peut endommager la batterie et augmente le risque d'incendie.

6) Maintenance

- a) **L'entretien de votre outil électrique doit être confié à un réparateur qualifié qui utilise uniquement des pièces de rechange identiques aux pièces d'origine.** Cela permet d'assurer la sécurité de l'outil électrique.
- b) **Ne réparez jamais des blocs-batteries endommagés.** Les réparations sur les blocs-batteries ne doivent être effectuées que par le fabricant ou l'un de ses prestataires de services agréés.

INSTRUCTIONS DE SÉCURITÉ POUR SCIES SAUTEUSES

- **Avertissement de rayonnement laser.** Classe de laser 2, P max.: <1 mW, λ: 650 nm, EN 60825-1: 2014 Ne pas diriger le faisceau laser vers les personnes ou les animaux et ne pas regarder directement le faisceau laser, même de loin. Cet outil électrique génère une radiation laser de classe 2 selon EN 60825-1. Il est capable de provoquer la cécité.
- **Tenir l'outil par les surfaces de préhension isolées, lors de la réalisation d'une opération au cours de laquelle l'organe de coupe peut entrer en contact avec un câblage non apparent.** Le contact avec un fil « sous tension » peut également mettre « sous tension » les parties métalliques exposées de l'outil électrique et provoquer un choc électrique sur l'opérateur.
- **Garder les mains à distance de la zone de sciage.** Ne pas passer les mains sous la pièce à travailler. Lors d'un contact avec la lame de scie, il y a risque de blessures.
- **N'approchez l'outil électroportatif de la pièce à travailler que quand l'appareil est en marche.** Sinon, il y a risque d'un contrecoup, au cas où l'outil se coincerait dans la pièce.
- **Veiller à ce que la plaque de base repose bien**

sur le matériau lors du sciage. Une lame de scie coincée peut casser ou entraîner un contrecoup.

- **Une fois l'opération terminée, arrêter l'outil électroportatif et ne retirer la lame de scie de sa ligne de coupe que lorsque celle-ci est complètement à l'arrêt.** Ainsi, un contrecoup est évité et l'outil électroportatif peut être retiré en toute sécurité.
- **N'utiliser que des lames de scie en parfait état.** Les lames de scie déformées ou émoussées peuvent se casser, avoir des effets négatifs sur la qualité de la coupe ou causer un contrecoup.
- **Une fois l'appareil arrêté, ne pas stopper la lame de scie en exerçant une pression latérale sur celle-ci.** La lame de scie peut être endommagée, se casser ou causer un contrecoup.
- **Utiliser des détecteurs appropriés afin de déceler des conduites cachées ou consulter les entreprises d'approvisionnement locales.** Un contact avec des conduites d'électricité peut provoquer un incendie ou un choc électrique. Un endommagement d'une conduite de gaz peut provoquer une explosion. La perforation d'une conduite d'eau provoque des dégâts matériels.
- **Bloquer la pièce à travailler.** Une pièce à travailler serrée par des dispositifs de serrage appropriés ou dans un étau est fixée de manière plus sûre que tenue dans les mains.
- **Avant de déposer l'outil électroportatif, attendre que celui-ci soit complètement à l'arrêt.** L'outil risque de se coincer, ce qui entraînerait une perte de contrôle de l'outil électroportatif.
- **Utilisez des pinces ou tout autre moyen pratique pour fixer et soutenir l'ouvrage sur une plateforme stable.** Tenir l'ouvrage à la main ou contre votre corps le rend instable et peut conduire à une perte de contrôle.

AVERTISSEMENTS DE SECURITE POUR L'ACCU

- a) **Ne pas ouvrir l'accu.** Risque de court-circuit.
- b) **Protéger l'accu de toute source de chaleur, comme p. ex. l'exposition directe au soleil, au feu, à l'eau et à l'humidité.** Il y a risque d'explosion.
- c) **En cas d'endommagement et d'utilisation non conforme de l'accu, des vapeurs peuvent s'échapper. Ventiler le lieu de travail et, en cas de malaises, consulter un médecin.** Les vapeurs peuvent entraîner des irritations des voies respiratoires.
- d) **N'utilisez l'accumulateur qu'avec votre produit Vonroc.** Ceci protège l'accumulateur contre une surcharge dangereuse.
- e) **Les objets pointus comme un clou ou un tour-**

nevis et le fait d'exercer une force extérieure sur le boîtier risque d'endommager l'accu.

Il peut en résulter un court-circuit interne et l'accu risque de s'enflammer, de dégager des fumées, d'exploser ou de surchauffer.

AVERTISSEMENTS DE SECURITE POUR LE CHARGEUR

Utilisation prévue

Chargez uniquement à l'aide de la batterie Li-ion rechargeable CD801AA un CD803AA . Tout autre type de batterie est susceptible d'éclater et de provoquer des blessures et des dommages matériels.

- L'appareil n'est pas destiné à être utilisé par des personnes (notamment des enfants) souffrant de déficiences physiques, sensorielles ou mentales, ou par des personnes inexpérimentées ou non formées. Toute utilisation doit se faire sous la surveillance d'une personne responsable et avec les instructions appropriées.**
- Même sous surveillance, les enfants ne doivent pas jouer avec l'appareil.**
- Ne rechargez pas les batteries non rechargeables!**
- Veuillez effectuer la recharge des batteries dans un endroit bien ventilé!**

2. INFORMATIONS RELATIVES À LA MACHINE

Utilisation prévue

La machine est conçue pour scier le bois, le métal, le plastique, la céramique, le caoutchouc, etc, quelles que soient la taille et la forme requises, en maintenant la semelle reposer fermement sur l'ouvrage. Une lame de scie adaptée doit toujours être utilisée.

SPÉCIFICATIONS TECHNIQUES



Ce manuel a été élaboré pour plusieurs kits / numéros d'articles différents. Consultez le numéro d'article correspondant à votre produit dans le tableau des caractéristiques qui suit pour obtenir la composition et le contenu corrects de votre kit.

N° de modèle	Batteries incluses	Chargeur inclus
JS501DC	-	-
S_JS501DC	CD801AA	CD802AA
S2_JS501DC	2 x CD801AA	CD802AA

S3_JS501DC	CD803AA	CD802AA
S4_JS501DC	CD801AA	CD802AA

Informations relatives à la machine

Tension du reseau	20V
Vitesse a vide	0-2500/min
Course de la scie	25mm
Capacite maximale, bois 0°	50mm
Capacite maximale, acier 0°	8mm
Poids	1,85 kg
Pression sonore LPA	82,0 dB(A), K=3dB(A)
Puissance sonore LWA	93,0 dB(A), K=3dB(A)
Vibration 'sciage tole'	5,459 m/s2 K=1,5 m/s2
Vibration 'sciage contre-plaque'	5,658 m/s2 K=1,5 m/s2

N° de modèle	CD801AA
Type de batterie	Lithium-Ion
Tension	20V
Capacité	2,0 Ah
Chargeurs recommandés	CD802AA
Poids	0,3 kg

N° de modèle	CD802AA
Entrée chargeur	220-240V,50Hz 0,4A
Sortie chargeur	21V 2,5A
Durée de charge 2Ah Batterie	60 minutes
Durée de charge 4Ah Batterie	120 minutes
Accus recommandés	CD801AA, CD803AA
Poids	0,36 kg

N° de modèle	CD803AA
Type de batterie	Lithium-Ion
Tension	20V
Capacite	4,0 Ah
Chargeurs recommandes	CD802AA
Poids	0,65 kg

N'utilisez que les batteries suivantes de la plateforme Batterie VONROC VPOWER 20V. L'utilisation de toute autre batterie pourrait provoquer de graves blessures ou endommager l'outil.

CD801AA	20V, 2Ah Lithium-Ion
CD803AA	20V, 4Ah Lithium-Ion

Le chargeur suivant peut être utilisé pour recharger ces batteries.

CD802AA	Chargeur rapide
---------	-----------------

Les batteries de la plateforme Batterie VONROC VPOWER 20V sont interchangeables pour tous les outils de la plateforme Batterie VONROC VPOWER 20V.

Niveau de vibrations

Le niveau des vibrations émises, indiqué dans ce manuel, a été mesuré conformément à la procédure décrite par la norme EN 62841. Il peut être utilisé pour comparer deux outils ou pour réaliser une estimation préalable de l'exposition aux vibrations lors de l'utilisation de l'outil pour les applications mentionnées.

- L'utilisation de l'outil dans d'autres applications ou avec des accessoires différents ou mal entretenus peut considérablement augmenter le niveau d'exposition.
- La mise hors tension de l'outil et sa non-utilisation pendant qu'il est allumé peuvent considérablement réduire le niveau d'exposition.

Protégez-vous contre les effets des vibrations par un entretien correct de l'outil et de ses accessoires, en vous échauffant les mains et en organisant vos rythmes de travail.

DESCRIPTION

Les numéros dans le texte se rapportent aux schémas des pages 2-4.

1. Bouton de verrouillage
2. Interrupteur Marche/Arrêt
3. Poignée
4. Batterie
5. Bouton de libération Batterie
6. Interrupteur Mouvement orbital
7. Échelle de graduation de l'angle du biseau
8. Cache-semelle
9. Semelle
10. Rouleau de guidage
11. Interrupteur du laser
12. Carter de lame
13. Levier de serrage
14. Boulons à ailette pour le guide parallèle
15. Clé à six pans
16. Mandrin

17. Lame de scie
18. Boulon de la semelle
19. Guide parallèle
20. Laser
21. Repère de coupe
22. Vis de réglage du laser
23. Témoins de la batterie
24. Témoins de la batterie
25. Chargeur
26. Témoins du chargeur

3. MONTAGE



Avant tous travaux sur l'outil électroportatif, sortez l'accu.



Vous devez charger la batterie avant la première utilisation.

Insertion de la batterie dans la machine (Fig. A, G)



Vérifiez que la surface extérieure de la batterie est propre et sèche avant de brancher le chargeur ou la machine.

1. Insérez la batterie (4) dans la base de la machine, comme illustré à la Fig. G.
2. Poussez la batterie vers l'avant jusqu'à ce qu'elle s'enclenche.

Retrait de la batterie de la machine (Fig. A, G)

1. Poussez les bouton de déverrouillage de la batterie (5).
2. Retirez la batterie de la machine, comme illustré à la Fig. G.

Contrôle de l'état de charge de la batterie (Fig. I)

- Pour vérifier l'état de charge de la batterie, appuyez brièvement sur le bouton (23) de la batterie.
- Quatre voyants indiquent le niveau de charge de la batterie. Plus il y a de voyants allumés, plus la charge est importante.
- Lorsque les voyants sont éteints cela indique que la batterie est vide et qu'elle doit être rechargée immédiatement.

Recharge de la batterie avec le chargeur (Fig. I)

1. Retirez la batterie (4) de la machine.
2. Retournez la batterie (4) et faites-la glisser dans le chargeur (25), comme illustré à la Fig. I.
3. Enfoncez la batterie tout au fond du logement.
4. Branchez la fiche du chargeur dans une prise

électrique et patientez. Les indicateurs à LED sur le chargeur (26) s'allument et indiquent l'état du chargeur.

Le chargeur possède deux indicateur à LED (26) qui indique l'état du processus de charge:

État de l'indicateur à LED rouge	État de l'indicateur à LED vert	État du chargeur
Éteint	Éteint	Aucune alimentation
Éteint	Allumé	Mode veille: - Aucune batterie n'est insérée ou - La batterie est insérée, mais la charge s'est achevée
Allumé	Éteint	Batterie en cours de charge

- Il faut compter jusqu'à 60 minutes pour recharger complètement la batterie 2Ah.
- Il faut compter jusqu'à 120 minutes pour recharger complètement la batterie 4Ah.

Lorsque la batterie est entièrement chargée, débranchez le chargeur de la prise secteur et retirez la batterie du chargeur.



Quand la machine n'est pas utilisée pendant une période prolongée, il est préférable d'entreposer la batterie rechargée.

Remplacer la lame de scie (Fig. A, C)



Portez des gants de protection pour installer la lame de scie. Risque de blessure en cas de contact avec la lame.



N'utilisez que des lames de scie correspondant aux caractéristiques mentionnées dans les instructions d'utilisation.

Installer la lame de scie



Assurez-vous que le porte-lame est exempt de tout débris de matériau (éclats de bois ou de métal par exemple).

1. Tournez le levier de serrage (13) aussi loin que possible vers la gauche et maintenez-le en position.
2. Insérez la lame de scie dans le mandrin (16). Contrôlez que la lame de scie est bien sécurisée

- et que les dents pointent dans le sens de coupe.
3. Relâchez le levier de serrage. Contrôlez que l'arrière de la lame de scie est positionnée au centre du rouleau de guidage (10).

Assurez-vous d'utiliser la bonne lame de scie en fonction de la matière à scier. Une lame de scie à grosses dents pour le bois et une lame de scie à dents fines pour le métal et le plastique sont fournies avec la machine.

Retirer la lame de scie

1. Tournez le levier de serrage (13) aussi loin que possible vers la gauche et maintenez-le en position.
2. Retirez la lame de scie du mandrin (16).
3. Relâchez le levier de serrage.

Installer le guide parallèle (Fig. D)

1. Desserrez le boulon à ailette (14).
2. Installez le guide parallèle (19) sur la semelle (9).
3. Réglez la largeur de coupe voulue à l'aide de l'échelle de graduation du guide parallèle (14) et du repère de coupe sur la semelle (20). Le repère de coupe (20) indique la position de la lame de scie.

4. FONCTIONNEMENT

Allumer et éteindre la machine (Fig. A)

- Pour démarrer la machine, maintenez le bouton de verrouillage (1) enfoncé et appuyez sur l'interrupteur Marche/Arrêt (2).
- Plus l'interrupteur Marche/Arrêt (2) est enfoncé, plus la lame se déplace rapidement. La vitesse requise dépend de la matière de la pièce et elle peut être définie après des tests pratiques.
- Pour éteindre la machine, relâchez l'interrupteur Marche/Arrêt (2).

Allumer et éteindre le laser (Fig. A)

- Appuyez sur l'interrupteur du laser (11) pour allumer et éteindre le laser. L'interrupteur du laser (11) allume également l'éclairage de travail LED.

Réglage fin du laser

Remarque: pour tester la fonction laser, la batterie doit être insérée dans l'outil électrique.



Lors du réglage du laser, n'activez jamais le commutateur marche / arrêt. Un démarrage accidentel de l'outil électrique peut entraîner des blessures.

Si le laser (11) cesse d'indiquer la ligne de coupe correcte, vous pouvez réajuster le laser. Pour ce faire, réglez la vis de réglage du laser (22) et réglez le laser jusqu'à ce qu'il indique une ligne de coupe correcte.

Régler l'angle de biseau (Fig. B, F)

1. Desserrez le boulon (18), à l'aide de la clé à six pans (15).
2. Réglez la semelle (9) à la position voulue (entre 0° et 45°). L'angle de coupe (biseau) peut être lu sur l'échelle de graduation (7).
3. Resserrez le boulon (7), à l'aide de la clé à six pans (15). Il est possible de ranger la clé à six pans dans la machine, comme illustré par la Fig. B.

Régler le mouvement orbital (Fig. A)

L'interrupteur du mouvement pendulaire sert à régler la façon dont les dents de la lame de scie accrochent la matière. L'interrupteur du mouvement pendulaire permet 4 positions de réglage :

- 0 - Aucun mouvement orbital
- 1 - Faible mouvement orbital
- 2 - Mouvement orbital moyen
- 3 - Grand mouvement orbital

Le mouvement orbital requis peut être défini par des tests en respectant les instructions suivantes :

- Matière tendre (bois, plastique, etc.) : réglez le mouvement pendulaire au niveau II ou III. Pour une coupe plus fine et plus propre, utilisez le niveau 0 ou I.
- Matière fine, utilisez le niveau de mouvement pendulaire 0.
- Matière dure (acier, etc.) : réglez le mouvement pendulaire au niveau 0.
- Courbes : réglez le mouvement pendulaire au niveau 0.

Coupes plongeantes (Fig. H)

Les coupes plongeantes ne peuvent être réalisées que dans des matières tendres comme le bois, le béton cellulaire, le plâtre, etc. Elles requièrent cependant une certaine pratique et nécessitent des lames de scie courtes.

1. Posez la scie sur l'ouvrage et allumez-la.
2. Assurez-vous que le bord inférieur de la semelle repose sur l'ouvrage comme illustré par la figure H.
3. Sciez lentement la matière à un certain angle en déplaçant la scie à la verticale et continuez à scier le long de la ligne de coupe.
4. Éteignez la scie et retirez l'ouvrage lorsque la tâche est terminée.

Utilisation optimale

- Serrez la pièce à ouvrir. Utilisez un appareil de serrage pour les petites pièces.
- Tirez une ligne définissant la direction de guidage de la lame de scie.
- Tenez fermement la machine par la poignée.
- Réglez la vitesse de coupe.
- Réglez l'angle d'onglet.
- Réglez la position pendulaire.
- Mettez la machine en marche.
- Attendez que la machine atteigne son régime maximum.
- Placez le patin de scie sur la pièce à ouvrir.
- Déplacez lentement la machine le long de la ligne tracée en appuyant le patin de scie fermement contre le mur.
- N'exercez pas de pression excessive sur la machine. Laissez la machine faire le travail.
- Éteignez la machine et attendez son immobilisation totale avant de la reposer.

5. ENTRETIEN



Avant le nettoyage et l'entretien, mettez toujours la machine hors tension et retirez la batterie de la machine.

Nettoyez le corps de la machine régulièrement au moyen d'un chiffon doux, de préférence après chaque utilisation. Vérifiez que les ouvertures d'aération ne sont pas obstruées ni sales. Utilisez un chiffon doux légèrement humidifié avec de la mousse de savon pour nettoyer les taches persistantes. N'utilisez pas de produits de nettoyage tels que l'essence, l'alcool, l'ammoniac, etc.; ces produits peuvent endommager les parties synthétiques.

ENVIRONNEMENT



Les équipements électroniques ou électriques défectueux ou destinés à être mis au rebut doivent être déposés aux points de recyclage appropriés.

Uniquement pour les pays de l'UE

Ne jetez pas les outils électriques avec les déchets domestiques. Selon la Directive européenne 2012/19/CE relative aux déchets d'équipements électriques et électroniques et sa mise en œuvre dans le droit national, les outils électriques hors d'usage doivent être collectés séparément et mis au rebut de manière écologique.

GARANTIE

Les produits VONROC sont développés aux plus hauts standards de qualité et ils sont garantis contre les défauts de pièces et de main d'œuvre pendant la durée légale stipulée à partir de la date d'achat d'origine du produit. En cas d'une quelconque panne du produit pendant cette durée qui serait due à un défaut matériel et/ou de main d'œuvre, contactez directement VONROC.

Les circonstances suivantes ne sont pas prises en charge par la garantie:

- Des réparations ou altérations ont été effectuées ou tentées sur la machine par un centre de réparation non agréé.
- L'usure normale.
- L'outil a été maltraité, mal utilisé ou mal entretenu.
- Des pièces détachées non d'origine ont été utilisées.

Ceci constitue l'unique garantie accordée par la société explicitement ou implicitement. Il n'existe aucune autre garantie, explicite ou implicite, qui peut s'étendre au delà du contenu ici présent, y compris les garanties marchandes ou d'adaptation à des fins particulières. En aucun cas VONROC ne sera tenu responsable de dommages accidentels ou consécutifs. Les solutions proposées par les revendeurs devront se limiter à la réparation ou le remplacement des éléments ou pièces non conformes.

Le produit et le manuel d'utilisation sont sujets à modifications. Les spécifications peuvent changer sans préavis.

1. INSTRUCCIONES DE SEGURIDAD

Lea las advertencias de seguridad, las advertencias de seguridad adicionales y las instrucciones adjuntas. De no respetarse las advertencias de seguridad y las instrucciones, podrían producirse descargas eléctricas, incendios y/o lesiones graves. Conserve las advertencias de seguridad y las instrucciones para su posterior consulta.

Los siguientes símbolos se utilizan en el manual de usuario o en el producto:



Lea el manual de usuario.



Riesgo de lesiones personales.



Mantenga a terceros, especialmente niños y mascotas, a una distancia superior a 10 m.



Use protección ocular.



Use protectores auditivos.



Use mascarilla contra el polvo.



¡Área de peligro! Mantenga las manos alejadas (10 cm) del área de corte cuando la máquina está en funcionamiento. Peligro de lesiones al entrar en contacto con la hoja de la sierra.



Avvertenza di radiazione laser.



Fusible cinta miniatura de tipo retardado.



Temperatura máx. 45°C.



No arroje la batería al fuego.



No arroje la batería al agua.



Recogida selectiva de la batería de iones de litio.



El producto es conforme con las normas de seguridad vigentes en las Directivas Europeas.

INSTRUCCIONES GENERALES DE SEGURIDAD



PRECAUCIÓN! Lea todas las advertencias de seguridad y todas las instrucciones. Si no lo hace, el uso indebido puede acarrear cortocircuitos, fuego o lesiones graves.

Conserve estas instrucciones.

El término “herramienta eléctrica”, en todas las advertencias enumeradas a continuación se refiere a su herramienta eléctrica (i nalámbrica) que funciona con una batería o a través de la red eléctrica.

1) Área de trabajo

- Trabaje en un lugar limpio y bien iluminado.** Lugares no iluminados o sucios propician accidentes.
- No use herramientas eléctricas donde haya riesgo de fuego o explosión, p.ej: cerca de líquidos o gases inflamables, polvo etc.** Las herramientas eléctricas producen chispas que pueden producir la ignición de partículas de humo.
- Mantenga a los niños y otras personas alejados mientras utiliza la herramienta eléctrica.** Las distracciones pueden hacer que pierda el control de la herramienta.

2) Seguridad eléctrica

- Cerciórese de que las clavijas de la herramienta eléctrica están correctamente enchufadas. Nunca modifique la clavija. No utilice ningún adaptador para la clavija de una herramienta eléctrica con conexión a tierra.** Las clavijas que no se hayan cambiado y los enchufes adecuados reducen el riesgo de cortocircuitos.
- Evite el contacto humano con superficies con conexiones a tierra como tubos metálicos, conductos, tubos de la calefacción, radiadores y refrigeradores.** El riesgo de cortocircuitos es mayor cuando el cuerpo está en contacto con el suelo.
- No use herramientas eléctricas bajo la lluvia o en entornos húmedos.** Si entra agua en una herramienta eléctrica aumenta el riesgo de cortocircuito.
- No utilice el cable para todo. Nunca utilice el cable para mover la máquina, empujarla o sacar la clavija del enchufe. Mantenga el cable alejado del calor, aceite, zonas cortantes o piezas en movimiento.** Los cables dañados o enredados aumentan el riesgo de cortocircuito.
- Use un cable alargador impermeable adecuado para exteriores cuando trabaje con la herramienta eléctrica al aire libre.**

El riesgo de cortocircuito es menor si utiliza un cable alargador adecuado para exteriores.

- Si no se puede evitar el uso de la herramienta eléctrica en un lugar húmedo, use suministro protegido mediante dispositivo diferencial residual (DDR).** El uso de un DDR reduce el riesgo de choque eléctrico.
 - No permita que la familiaridad adquirida con el uso frecuente de las herramientas le haga confiarse e ignorar los principios de seguridad de las herramientas.** Una acción descuidada puede causar lesiones graves en una fracción de segundo.
- #### 3) Seguridad personal
- No se descuide, preste atención a lo que está haciendo y utilice el sentido común mientras trabaje con esta herramienta. No use herramientas eléctricas cuando esté cansado o esté bajo los efectos del alcohol, las drogas o los medicamentos.** Un momento de distracción, mientras utilice la herramienta eléctrica, puede provocar lesiones personales graves.
 - Use equipo de protección individual. Use siempre gafas protectoras.** El uso en condiciones apropiadas del equipo de seguridad como por ejemplo: mascarilla antipolvo, zapatos antideslizantes de seguridad, casco o protección para los oídos, disminuye el riesgo de sufrir lesiones personales.
 - Evite arranques involuntarios. Asegúrese de que el interruptor está en la posición de apagado antes de conectarlo a la fuente de electricidad.** Transportar herramientas eléctricas con el dedo puesto sobre el interruptor o enchufarlas con el interruptor encendido puede causar accidentes.
 - Quite cualquier llave de ajuste antes de encender la herramienta eléctrica.** Una llave olvidada junto a una pieza móvil de la herramienta eléctrica puede provocar lesiones personales graves.
 - No se estire demasiado. Mantenga siempre el equilibrio y tenga los pies en el suelo.** Esto permite un mayor control de la herramienta eléctrica en situaciones inesperadas.
 - Vístase apropiadamente. No lleve prendas holgadas o joyas. Mantenga su pelo, ropa y guantes alejados de las piezas móviles.** Las prendas holgadas, las joyas y el pelo largo pueden quedar atrapados en las piezas móviles.
 - Si se han suministrado dispositivos para la extracción y recogida de polvo asegúrese de que estos estén conectados y se utilicen correctamente.** El uso de estos dispositivos puede

reducir los riesgos relacionados con el polvo.

- h) **Mantenga las asas y las superficies de agarre secas, limpias y libres de aceite y grasa.** Las asas y las superficies de agarre resbaladizas no permiten un manejo y control seguros de la herramienta en situaciones inesperadas.
- 4) Utilización y cuidados de la herramienta eléctrica**
- a) **No fuerce la herramienta eléctrica. Utilice la herramienta eléctrica adecuada para el trabajo que vaya a realizar.** Una herramienta eléctrica apropiada realizará un trabajo mejor y más seguro si se utiliza para el objetivo con el que ha sido diseñada.
- b) **No use herramientas que no pueden encenderse o apagarse con el interruptor.** Las herramientas que ya no se puedan encender y apagar son peligrosas y deben repararse.
- c) **Desenchufe la clavija de la toma de electricidad antes de realizar modificaciones, cambiar accesorios o guardar las herramientas eléctricas.** Tales medidas de seguridad preventivas reducen el riesgo de la puesta en marcha accidental.
- d) **Mantenga a los niños alejados de una herramienta eléctrica sin utilizar y no permita a personas que no estén familiarizadas con la máquina o estas instrucciones utilizar la herramienta.** La herramienta eléctrica puede ser peligrosa cuando la utilicen personas sin experiencia.
- e) **Conserve sus herramientas cuidadosamente. Verifique cualquier desalineación o agarrotamiento de piezas móviles, piezas dañadas y cualquier otra causa, que pudiera repercutir en el buen funcionamiento de la herramienta eléctrica. Si la herramienta está estropeada, repárela antes de utilizarla.** Muchos de los accidentes están causados por un mantenimiento insuficiente del equipo eléctrico.
- f) **Mantenga las herramientas de corte limpias y afiladas.** Sierras con esquinas cortantes con un buen mantenimiento se bloquean menos y son más fáciles de controlar.
- g) **Utilice la herramienta eléctrica, accesorios y brocas etc. Siguiendo las instrucciones atendiendo al tipo de herramienta eléctrica y tenga en cuenta las condiciones de trabajo y el tipo de trabajo que se va a realizar.** Puede ser peligroso realizar trabajos con la herramienta diferentes de aquellos para los que está diseñada.
- 5) Uso y cuidado de las herramientas alimentadas por batería**
- a) **Recargue las baterías únicamente con el cargador recomendado por el fabricante.** Un cargador que es apto para un tipo de baterías determinado puede provocar riesgo de incendio si se usa para cargar otra clase de baterías.
- b) **Use las herramientas eléctricas sólo con las baterías indicadas específicamente.** El uso de otra clase de baterías diferente puede ocasionar el riesgo de derivar en lesiones o un incendio.
- c) **Cuando el paquete de baterías no esté en uso, consérvelo retirado de objetos metálicos como sujetapapeles, monedas, llaves, clavos, tornillos o cualquier otro objeto metálico pequeño que pueda hacer puente entre las terminales.** El contacto entre las terminales de la batería puede causar quemaduras o incendio.
- d) **Bajo condiciones extremas de abuso la batería podría expulsar un líquido; evite todo contacto. Si se produjese contacto accidentalmente, lávese bien con agua. Si el líquido hace contacto con los ojos, consulte también al médico.** El líquido emanado de la batería puede causar irritaciones o quemaduras.
- e) **No utilice una batería o una herramienta que esté dañada o modificada.** Las baterías dañadas o modificadas pueden presentar un comportamiento impredecible y provocar un incendio, una explosión o riesgo de lesiones.
- f) **No exponga una batería o una herramienta al fuego o a temperatura excesiva.** La exposición al fuego o a temperaturas superiores a 130 °C puede provocar una explosión. NOTA La temperatura "130 °C" puede sustituirse por la temperatura "265 °F".
- g) **Siga todas las instrucciones de carga y no cargue la batería o la herramienta fuera del rango de temperatura especificado en las instrucciones.** La carga incorrecta o a temperaturas fuera del rango especificado puede causar daños a la batería y aumentar el riesgo de incendio.
- 6) Servicio**
- a) **Haga reparar su herramienta eléctrica por una persona cualificada, usando solo piezas de repuesto idénticas.** Esto garantiza que se mantenga la seguridad de la herramienta eléctrica.
- b) **Nunca repare las baterías dañadas.** El mantenimiento de las baterías debe ser realizado solo por el fabricante o los proveedores de servicio

autorizados.

ADVERTENCIAS DE SEGURIDAD PARA SIERRAS DE VAIVÉN

- **Advertencia de radiación láser.** Láser de clase 2, P máx.: <1 mW, λ: 650 nm, EN 60825-1:2014. No mire directamente al haz del láser ni a la abertura de la que sale. Nunca dirija el haz del láser hacia personas, animales o superficies reflectantes. Incluso un contacto visual breve puede causar daños en la vista. Examinar la abertura de salida del láser usando instrumentos ópticos (por ejemplo, lupas, vidrios de aumento y otros dispositivos similares) conlleva el riesgo de daño ocular. Al trabajar con un láser de clase 2, observe las normas nacionales sobre el uso de protección ocular.
- **Aferre la herramienta eléctrica por las superficies de agarre aisladas cuando realice alguna operación en la que el accesorio de corte pueda entrar en contacto con cables ocultos.** Si el accesorio de corte entra en contacto con un cable bajo tensión, puede exponer las partes metálicas de la herramienta a tensión y ocasionar una descarga eléctrica al operador.
- **Mantenga las manos alejadas de la zona de corte.** No ponga las manos debajo de la pieza de trabajo. El contacto con la hoja de la sierra puede causar lesiones.
- **Coloque la máquina sobre la pieza de trabajo solo cuando la máquina está encendida.** De lo contrario, existe el riesgo de contragolpes si la herramienta de corte se atasca en la pieza de trabajo.
- **Preste atención a que la placa de base esté bien apoyada sobre el material cuando corte.** Si la hoja de la sierra se atasca puede romperse o causar contragolpes.
- **Después de terminar el corte, desconecte la máquina y extraiga la hoja de la sierra del corte solo después de que se haya detenido.** De esta manera puede evitar el contragolpe y puede apoyar la máquina de forma segura.
- **Use solo hojas de sierra en perfecto estado y que no estén dañadas.** Las hojas de sierra dobladas o desafiladas pueden romperse, arruinar el corte o causar un contragolpe.
- **No frene la hoja de sierra para pararla aplicando una presión lateral después de desconectarla.** La hoja de la sierra puede dañarse, romperse o causar un contragolpe.
- **Use detectores apropiados para determinar si**

hay líneas de servicios ocultas en el área de trabajo o llame a la compañía de servicios local para obtener información. Cualquier contacto con las líneas eléctricas puede provocar incendios y descargas eléctricas. Si se daña un tubo de gas, se puede provocar una explosión. Si se penetra en una línea de agua, se pueden causar daños a la propiedad.

- **Inmovilice la pieza de trabajo.** Una pieza de trabajo fijada con dispositivos de fijación o en un tornillo de banco se sujeta de forma más segura que con la mano.
- **Espere siempre a que la máquina se detenga completamente antes de apoyarla.** La pieza insertada puede atascarse y provocar la pérdida de control de la herramienta eléctrica.
- **Utilice prensas o cualquier otro medio práctico de asegurar y sostener la pieza de trabajo en una plataforma segura.** Si sujeta la pieza de trabajo con las manos o contra su cuerpo, la pieza perderá estabilidad y podría perder el control de la misma.

ADVERTENCIAS DE SEGURIDAD PARA LA BATERÍA

- a) **No abra la batería.** Existe peligro de cortocircuito.
- b) **Proteja la batería del calor, p. ej., de la luz solar intensa continua, los incendios, el agua y la humedad.** Peligro de explosión.
- c) **En caso de daño y uso incorrecto de la batería, esta puede emitir vapores. Ventile el área y consulte un médico si se siente mal.** Los vapores pueden irritar el sistema respiratorio.
- d) **Utilice la batería solo junto con su producto Vonroc.** Esta medida protege la batería de sobrecargas peligrosas.
- e) **La batería se puede dañar con objetos puntiagudos como clavos o destornilladores o si se somete a alguna fuerza exterior.** Puede producirse un cortocircuito interno que dé lugar a que la batería se incendie, emita humo, explote o se sobrecaliente.

ADVERTENCIAS DE SEGURIDAD PARA EL CARGADOR

Uso previsto

Cargue solo las baterías recargables CD801AA y CD803AA con el cargador. Otros tipos de baterías pueden estallar y causar lesiones y daños.

- a) **El aparato no debe ser usado por personas (incluidos niños) con capacidad física, sensorial o**

mental reducida, o que no tengan experiencia o conocimiento suficientes, salvo que hayan sido capacitadas o estén bajo supervisión.

- b) Controle que los niños no jueguen con el aparato.**
- c) No recargue baterías no recargables.**
- d) Durante la carga, las baterías deben colocarse en un lugar bien ventilado.**

2. INFORMACIÓN DE LA MÁQUINA

Uso previsto

La máquina ha sido diseñada para cortar madera, metales, plásticos, cerámica, caucho, etc. de cualquier tamaño y forma que sea necesario, manteniendo la placa de base bien apoyada contra la pieza de trabajo. Siempre se debe usar una hoja de sierra adecuada.

ESPECIFICACIONES TÉCNICAS



Este manual ha sido redactado para diferentes números de juegos / artículos. Compruebe el número de artículo correspondiente en la siguiente tabla de especificaciones para conseguir la composición y el contenido correctos de su juego.

Modelo n.º	Baterías incluidas	Cargador incluido
JS501DC	-	-
S_JS501DC	CD801AA	CD802AA
S2_JS501DC	2 x CD801AA	CD802AA
S3_JS501DC	CD803AA	CD802AA
S4_JS501DC	CD801AA	CD802AA

Información de la máquina	
Voltaje principal	20V
Velocidad sin carga	0-2500/min
Carrera de la sierra	25mm
Cap. max. de la sierra, madera 0°	50mm
Cap. max. de la sierra, acero 0°	8mm
Peso	1,85 kg
Nivel de presión sonora LPA	82,0 dB(A), K=3dB(A)
Nivel de potencia sonora LWA	93,0 dB(A), K=3dB(A)
Vibración "Corte de chapa"	5,459 m/s ² K=1,5 m/s ²

Vibración "Cortar madera contrachapada"	5,658 m/s ² K=1,5 m/s ²
---	---

Modelo n.º	CD801AA
Tipo de batería	Iones de litio
Voltaje	20V
Capacidad	2,0 Ah
Cargador recomendado	CD802AA
Peso	0,3 kg

Modelo n.º	CD802AA
Entrada del cargador	220-240V, 50Hz 0,4A
Salida del cargador	21V 2,5A
Tiempo de carga de la batería de 2 Ah	60 minutos
Tiempo de carga de la batería de 4 Ah	120 minutos
Baterías recomendadas	CD801AA, CD803AA
Peso	0,36 kg

Modelo n.º	CD803AA
Tipo de batería	Liones de litio
Voltaje	20V
Capacidad	4,0 Ah
Cargador recomendado	CD802AA
Peso	0,65 kg

Use solo las siguientes baterías de la plataforma de baterías VONROC POWER 20V. El uso de cualquier otra batería puede causar lesiones graves o dañar la herramienta.

CD801AA 20V, 2 Ah de iones de litio
 CD803AA 20V, 4 Ah de iones de litio

Para cargar estas baterías se puede utilizar el siguiente cargador de batería.
 Cargador rápido CD802AA

Las baterías de la plataforma de baterías VONROC POWER 20V son intercambiables con todas las herramientas de la plataforma de baterías VONROC POWER 20V.

Nivel de vibración

El nivel de emisión de vibraciones indicado en este manual de instrucciones ha sido medido según una prueba estándar proporcionada en EN 62841; puede utilizarse para comparar una herramienta con otra y como valoración preliminar de la exposición a las vibraciones al utilizar la herramienta con las aplicaciones mencionadas

- al utilizarla para distintas aplicaciones o con accesorios diferentes o con un mantenimiento deficiente, podría aumentar de forma notable el nivel de exposición
- en las ocasiones en que se apaga la herramienta o cuando está funcionando pero no está realizando ningún trabajo, se podría reducir el nivel de exposición de forma importante

Protéjase contra los efectos de la vibración realizando el mantenimiento de la herramienta y sus accesorios, manteniendo sus manos calientes y organizando sus patrones de trabajo

DESCRIPCIÓN

Los números del texto se refieren a los diagramas de las páginas 2-4.

1. Botón de bloqueo
2. Interruptor de encendido/apagado
3. Empuñadura
4. Batería
5. Botón de desbloqueo de la batería
6. Interruptor pendular
7. Escala para ángulo de bisel
8. Cubierta de la placa de base
9. Placa de base
10. Rodillo de guía
11. Interruptor del láser
12. Protector
13. Palanca de sujeción
14. Tornillos de mariposa de la guía paralela
15. Llave hexagonal
16. Portaherramienta
17. Hoja de la sierra
18. Tornillo para la placa de base
19. Guía paralela
20. Láser
21. Marca de corte
22. Tornillo de ajuste del láser
23. Botón de indicadores LED de batería
24. Indicadores LED de la batería
25. Cargador
26. Indicadores LED del cargador

3. MONTAJE



Antes de realizar cualquier trabajo en la herramienta eléctrica, extraiga la batería.



Debe cargarse la batería antes de usar por primera vez la herramienta.

Insertar la batería en la máquina (Fig. A, G)



Compruebe que la parte exterior de la batería esté limpia y seca antes de colocarla en el cargador o en la máquina.

1. Inserte la batería (4) en la base de la máquina como se muestra en la Fig. F.
2. Pulse la batería más hacia delante hasta que haga clic en su sitio.

Extraer la batería de la máquina (Fig. A, G)

1. Apriete los botones de desbloqueo de la batería (5).
2. Saque batería de la máquina como se muestra en la Fig. G.

Comprobación del estado de carga de la batería (Fig. I)

- Para comprobar el estado de carga de la batería, apriete brevemente el botón (23) de la batería.
- La batería tiene 3 luces que indican el nivel de carga, cuantas más luces estén encendidas, más batería queda.
- Cuando las luces están apagadas significa que la batería está vacía y debe cargarse inmediatamente.

Carga de la batería con el cargador (Fig. I)

1. Extraiga la batería (4) de la máquina.
2. Dé vuelta la batería (4) y deslícela en el cargador (25) como se muestra en la Fig. I.
3. Empuje la batería hasta que quede totalmente colocada en la ranura.
4. Enchufe el enchufe del cargador en una toma de corriente eléctrica y espere un poco. Los indicadores de LED del cargador (26) se encenderán y mostrarán el estado del cargador.

El cargador tiene 2 indicadores de LED (26) que indican el estado del proceso de carga:

LED de estado ROJO	LED de estado verde	Estado de la carga
Desactivado	Desactivado	Sin alimentación
Desactivado	Activado	Modo espera: - No hay ninguna batería insertada o, - Se ha insertado la batería pero el proceso de carga ha finalizado
Activado	Desactivado	Carga de la batería en curso

- La carga completa de la batería de 2 Ah puede llevar hasta 60 minutos.
- La carga completa de la batería de 4 Ah puede llevar hasta 120 minutos.

Después de que la batería esté totalmente cargada, desenchufe el enchufe del cargador de la toma de corriente y extraiga la batería del cargador.



Cuando la no vaya a utilizarse la máquina durante un período de tiempo prolongado, es conveniente guardar la batería cargada.

Sustitución de la hoja de la sierra (Fig. A, C)



Cuando monte la hoja de la sierra, use guantes protectores. Peligro de lesiones al tocar la hoja de la sierra.



Utilice únicamente hojas de sierra que correspondan con los datos de las características indicados en las instrucciones de funcionamiento.

Montar la hoja de la sierra



Compruebe que el portahoja no tenga restos de material (como astillas de madera o metal).

1. Gire la palanca de sujeción (13) lo más a la izquierda posible y mantenerla en esa posición.
2. Insertar la hoja de la sierra en el mandril (16). Compruebe que la hoja de la sierra está bien sujeta y que los dientes apuntan hacia abajo.
3. Suelte la palanca de sujeción. Compruebe si la hoja de la sierra está bloqueada en su sitio.

Asegúrese de usar la hoja de sierra adecuada para el material que corresponda. La máquina se suministra con una hoja de sierra para madera y una hoja de sierra fina para metal y plástico.

Desmontar la hoja de la sierra

3. Gire la palanca de sujeción (13) lo más a la izquierda posible y mantenerla en esa posición.
4. Extraer la hoja de sierra del mandril (16).
5. Suelte la palanca de sujeción.

Colocación de la guía paralela (Fig. D)

1. Afloje los tornillos de mariposa (14).
2. Monte la guía paralela (19) en la placa de base (9).
3. Ajuste el ancho de corte deseado utilizando la escala de la guía paralela (14) y la marca de corte de la placa de base (20). La marca de corte (20) indica la posición de la hoja de la sierra.
4. Apriete los tornillos de mariposa (14).

4. FUNCIONAMIENTO

Encendido y apagado de la máquina (Fig. A)

El interruptor de encendido / apagado (2) se utiliza para activar la máquina y ajustar la velocidad.

- Para encender la máquina, mantenga pulsado el botón de desbloqueo (1) y después pulse el interruptor de Encendido/Apagado (2).
- Cuanto más se pulse el interruptor de encendido/apagado (2), más rápido se moverá la hoja. La velocidad requerida depende del material y puede establecerse mediante pruebas prácticas.
- Para parar la máquina, suelte el interruptor de encendido/apagado (2).

Encendido y apagado del láser (Fig. A)

- Pulse el interruptor del láser (11) para encender o apagar el láser. El interruptor láser (11) también enciende la luz de trabajo de LED.

Realice el ajuste fino del láser

Nota: Para probar el funcionamiento del láser, la batería debe estar colocada en la herramienta eléctrica.



Mientras ajusta el láser, nunca toque el interruptor de encendido/apagado. El arranque accidental de la herramienta eléctrica puede causar lesiones.

Si el láser (11) deja de indicar la línea de corte correcta, tiene que reajustar el láser. Para ello, ajuste el tornillo de ajuste láser (22) y el láser hasta que este indique una línea de corte correcta.

Ajuste del ángulo de bisel (Fig. B, F)

1. Afloje los tornillos de la placa de base (18) utilizando la llave hexagonal (15).
2. Ajuste la placa de base (9) en la posición deseada (0° - 45°). El ángulo de aserrado (bisel) se puede leer en la escala (7).
3. Apriete el tornillo (7) con la llave hexagonal (15). La llave hexagonal puede guardarse en la máquina como se muestra en la Fig. B.

Ajuste del interruptor pendular (Fig. A)

El interruptor pendular se utiliza para ajustar el modo en que los dientes de la hoja de la sierra agarran el material.

El interruptor pendular se puede ajustar en 4 posiciones:

- 0 - Sin péndulo
- 1 - Péndulo pequeño
- 2 - Péndulo medio
- 3 - Péndulo grande.

La acción pendular requerida puede determinarse mediante pruebas prácticas, pero se pueden seguir las siguientes instrucciones:

- Material blando (madera, plástico, etc.): ajuste el péndulo en el nivel II o III. Para un corte de sierra más fino y neto, utilice un péndulo de nivel 0 o I.
- Material delgado, use el péndulo de nivel 0.
- Material duro (acero, etc.): ajuste el péndulo en el nivel 0.
- Curvas: ajuste el péndulo en el nivel 0.

Corte de desplome (Fig. H)

El corte de desplome tan sólo puede utilizarse con materiales suaves como la madera, el hormigón aireado, los paneles de yeso, etc.

Sin embargo, exige una determinada práctica y tan sólo es posible con hojas de sierra cortas.

1. Coloque la sierra en la pieza de trabajo y enciéndala.
2. Asegúrese de que el borde inferior de la placa base permanece en la pieza de trabajo tal y como se indica.
3. Corte lentamente la pieza de trabajo en ángulo,

moviendo la sierra en posición vertical a lo largo de la línea de corte.

4. Apague la sierra y retírela de la pieza cuando haya acabado el trabajo.

Consejos para un uso óptimo

- Fije la pieza de trabajo. Utilice un dispositivo de fijación para piezas de trabajo pequeñas.
- Trace una línea para definir la dirección en la que guiar la hoja de sierra.
- Sujete la máquina firmemente por la empuñadura.
- Ajuste la velocidad de serrado.
- Ajuste el ángulo de inglete.
- Ajuste la posición pendular.
- Encienda la máquina.
- Espere hasta que la máquina alcance la máxima velocidad.
- Coloque la base de la sierra sobre la pieza de trabajo.
- Mueva lentamente la máquina por la línea pretrazada, presionando firmemente la base de la sierra contra la pieza de trabajo.
- No aplique demasiada presión sobre la máquina. Deje que la máquina haga el trabajo.
- Apague la máquina y espere que ésta se detenga completamente antes de dejarla.

5. MANTENIMIENTO



Antes de realizar la limpieza y el mantenimiento, apague siempre la máquina y extraiga el paquete de baterías de la máquina.

Limpie regularmente la carcasa de la máquina con un paño suave, preferentemente después de cada uso. Compruebe que los orificios de ventilación estén libres de polvo y suciedad. Elimine el polvo persistente utilizando un paño suave humedecido con agua y jabón. No use disolventes tales como gasolina, alcohol, amoníaco, etc. Tales productos químicos pueden dañar los componentes sintéticos.

MEDIO AMBIENTE



Los aparatos eléctricos o electrónicos defectuosos y/o desechados deben recogerse en lugares de reciclado apropiado.

Sólo para países CE

No deseche las herramientas eléctricas con los residuos domésticos. De conformidad con la Directiva Europea 2012/19/EU sobre residuos de aparatos eléctricos y electrónicos y su implementación en el derecho nacional, las herramientas eléctricas que dejen de funcionar deben recogerse por separado y desecharse de forma respetuosa con el medio ambiente.

CONDICIONES DE GARANTÍA

Los productos VONROC han sido desarrollados con los más altos estándares de calidad y VONROC garantiza que están exentos de defectos relacionados con los materiales y la fabricación durante el periodo legalmente estipulado, a contar desde la fecha de compra original. En caso de que el producto presente defectos relacionados con los materiales y/o la fabricación durante este periodo, póngase directamente en contacto VONROC.

La presente garantía se excluye en los siguientes casos:

- Si centros de servicios no autorizados han realizado o han intentado realizar reparaciones y/o alteraciones a la máquina.
- Si se ha producido un desgaste normal.
- Si la herramienta ha sido mal tratada o usada en modo impropio, o se ha realizado incorrectamente su mantenimiento.
- Si se han utilizado piezas de repuesto no originales.

La presente constituye la única garantía implícita y explícita que ofrece la compañía. No existen otras garantías explícitas o implícitas que excedan las citadas aquí, incluidas las garantías implícitas de comerciabilidad e idoneidad para una finalidad en especial. VONROC no será considerada responsable en ningún caso por daños incidentales o consecuentes. Los recursos a disposición de los distribuidores se limitan a la reparación o a la sustitución de las unidades o piezas no conformes.

El producto y el manual de usuario están sujetos a variaciones. Las especificaciones pueden variarse sin previo aviso.

1. ISTRUZIONI DI SICUREZZA

Leggere accuratamente gli avvisi di sicurezza, gli avvisi di sicurezza aggiuntivi e le istruzioni. La mancata osservanza degli avvisi di sicurezza e delle istruzioni potrebbe causare scosse elettriche, incendio e/o gravi lesioni. Mantenere gli avvisi di sicurezza e le istruzioni a portata di mano per future consultazioni.

I seguenti simboli sono utilizzati nel presente manuale utente o sul prodotto:



Leggere il manuale utente.



Pericolo di lesioni personali.



Tenere i presenti (in particolare bambini e animali domestici) a più di 10 metri di distanza.



Indossare dispositivi di protezione per gli occhi.



Indossare dispositivi di protezione per l'udito.



Indossare una maschera antipolvere.



Area di pericolo! Tenere le mani a debita distanza (10 cm) dall'area di taglio mentre l'elettrotensile è in funzione. Pericolo di lesioni personali in caso di contatto con la lama.



Avvertenza di radiazione laser.



Fusibile miniaturizzato a tempo ritardato.



Temperatura massima 45° C.



Non gettare la batteria nel fuoco.



Non gettare la batteria nell'acqua.



Raccolta differenziata per la batteria agli ioni di litio.



Il prodotto è conforme agli standard pertinenti in materia di sicurezza previsti dalla legislazione Europea.

REGOLE GENERALI DI SICUREZZA



ATTENZIONE! Leggere tutte le avvertenze di sicurezza e tutte le istruzioni. Se non si seguono tutte le istruzioni sotto elencate, si può incorrere in uno shock elettrico, in un incendio e/o in lesioni serie.

Conservare queste istruzioni.

Il termine "arnese elettrico" in tutti gli avvertimenti sotto elencati si riferisce al vostro arnese elettrico che funziona a corrente (con filo) o ad un arnese che funziona a pile (senza filo).

1) Area di lavoro

- a) **Mantenere l'area di lavoro pulita e ben illuminata.** Aree buie e disordinate favoriscono gli incidenti.
- b) **Non usare arnesi elettrici in atmosfere esplosive, come vicino ai liquidi infiammabili, gas o polveri.** Gli arnesi elettrici creano scintille che possono incendiare la polvere dei vapori.
- c) **Tenere lontani bambini e altre persone mentre si accende l'arnese elettrico.** Le distrazioni possono farvi perdere il controllo.

2) Sicurezza elettrica

- a) **Le spine dell'arnese elettrico devono andare bene per la presa di corrente. Non modificare mai la spina in alcun modo. Non usare alcun adattatore con arnesi elettrici a terra (messo a terra).** Spine non modificate che vanno bene per le prese di corrente ridurranno il rischio di shock elettrico.
- b) **Evitare il contatto corporeo con superfici a terra come tubature, radiatori, fornelli e frigoriferi.** C'è un rischio maggiore di shock elettrico se il vostro corpo è a terra.
- c) **Non esporre arnesi elettrici alla pioggia o a condizioni di umidità.** Se dell'acqua penetra nell'arnese elettrico aumenterà il rischio di shock elettrico.
- d) **Non abusare del filo. Non usare mai il filo per trasportare, spingere o staccare dalla presa l'arnese elettrico. Tenere il filo lontano da calore, olio, bordi taglienti o parti mobili.** Fili danneggiati o aggrovigliati aumentano il rischio di shock elettrico.
- e) **Quando si accende un arnese elettrico all'aperto, usare una prolunga adatta a tale uso.** Usare un filo adatto all'uso all'aperto ridurrà il rischio di shock elettrico.
- f) **Se non è possibile evitare l'uso di un elettrotensile in ambiente umido, usare una**

rete di alimentazione protetta da un interruttore differenziale (salvavita). L'uso di un salvavita riduce il rischio di scosse elettriche.

3) Sicurezza personale

- a) **Stare vigili e attento quando si accende un arnese elettrico. Non usare un arnese elettrico mentre si è stanco o sotto l'effetto di droghe, alcool o medicinali.** Un momento di disattenzione mentre si accendono arnesi elettrici può causare delle gravi lesioni personali.
- b) **Usare dispositivi di protezione individuale. Indossare sempre una protezione per gli occhi.** Dispositivi di sicurezza come mascherina per la polvere, scarpe di sicurezza antiscivolo, casco, o protezioni per le orecchie usate nelle appropriate condizioni, ridurranno le lesioni personali.
- c) **Prevenire l'avvio accidentale. Assicurarsi che l'interruttore sia spento prima di collegarsi.** Trasportare elettrotensili tenendo il dito sull'interruttore di accensione o dare corrente ad elettrotensili con l'interruttore acceso può dare luogo a incidenti.
- d) **Rimuovere ogni chiave regolatrice o chiave per dadi prima di accendere l'arnese elettrico.** Una chiave per dadi o una chiave lasciata attaccata ad una parte rotante dell'arnese elettrico può provocare lesioni personali.
- e) **Cercare di mantenere l'equilibrio. Mantenere sempre un punto d'appoggio appropriato.** Questo consente un controllo migliore dell'arnese elettrico in situazioni inaspettate.
- f) **Vestirsi adeguatamente. Non indossare vestiti larghi o gioielli. Tenere lontano capelli, vestiti e guanti dalle parti mobili.** Vestiti larghi, gioielli o capelli lunghi possono essere presi nelle parti mobili.
- g) **Se vengono forniti dispositivi per la connessione dell'estrazione della polvere e attrezzature di raccolta, assicurarsi che questi siano collegati e usati correttamente.** L'uso di questi dispositivi può ridurre i rischi correlati alla polvere.
- h) **Non lasciare che la confidenza acquisita dall'uso frequente induca l'utilizzatore ad assumere comportamenti imprudenti e a ignorare i principi di sicurezza per l'utensile.** Una semplice distrazione può provocare gravi lesioni personali in una frazione di secondo.

4) Uso e manutenzione dell'arnese elettrico

- a) **Non forzare l'arnese elettrico. Usare l'arnese elettrico corretto per il vostro impiego.** L'arnese elettrico corretto farà il lavoro meglio e in maniera più sicura alla velocità per la quale è stato progettato.
- b) **Non usare l'arnese elettrico se l'interruttore non si accende o non si spegne.** Ogni arnese elettrico che non può essere controllato con l'interruttore è pericoloso e deve essere riparato.
- c) **Scollegare la spina dalla sorgente di elettricità prima di fare qualsiasi regolazione, cambiare gli accessori, o conservare arnesi elettrici.** Tali misure di sicurezza preventive riducono il rischio di accendere l'arnese elettrico accidentalmente.
- d) **Conservare gli arnesi elettrici inattivi fuori dalla portata dei bambini e non permettere a persone che non hanno confidenza con l'arnese elettrico o con queste istruzioni di usare l'arnese elettrico.** Gli arnesi elettrici sono pericolosi per utenti inesperti.
- e) **Mantenere gli arnesi elettrici. Controllare il non allineamento o l'attacco di parti mobili, la rottura di parti ed ogni altra condizione che può influire sul funzionamento degli arnesi elettrici. Se è danneggiato, far riparare l'arnese elettrico prima dell'uso.** Molti incidenti sono causati da arnesi elettrici mantenuti male.
- f) **Mantenere gli arnesi da taglio affilati e puliti.** È meno probabile che si attacchino degli arnesi da taglio mantenuti correttamente con tagli affilate e questi sono anche più facili da controllare.
- g) **Usare l'arnese elettrico, gli accessori e le parti dell'arnese ecc, secondo queste istruzioni e nel modo pensato per il particolare tipo di arnese elettrico, tenendo conto delle condizioni di lavoro e del lavoro da svolgere.** L'uso dell'arnese elettrico per operazioni diverse da quelle pensate potrebbe causare situazioni pericolose.
- h) **Mantenere le impugnature e le superfici di presa asciutte, pulite e libere da olio e grasso.** Impugnature e superfici di presa scivolose non consentono di maneggiare e controllare in sicurezza l'utensile in situazioni impreviste.

5) Uso e manutenzione dell'utensile a batteria

- a) **Ricaricare l'apparecchio esclusivamente con il caricabatterie specificato dal fabbricante.** Se si utilizza un caricabatterie di diverso tipo potrebbero verificarsi incendi.
- b) **Utilizzare gli utensili elettrici solo con i pacchi batterie appositamente prescritti.** L'uso di

pacchi batterie di diverso tipo aumenta il rischio di infortunio o incendio.

- c) **Quando il pacco batterie non è in uso, tenerlo lontano da oggetti metallici quali fermagli, monete, chiavi, chiodi, viti o altri piccoli oggetti metallici che potrebbero mettere in collegamento i due poli.** Se i poli vengono messi in corto circuito, la batteria potrebbe emettere scintille o fiammate.
- d) **In condizioni di uso scorretto, la batteria potrebbe emettere liquido: evitare pertanto di entrarvi in contatto. In caso di contatto accidentale, risciacquare con acqua. Se il liquido entra a contatto con gli occhi, consultare immediatamente un medico.** Il liquido emesso dalla batteria può causare irritazioni o ustioni.
- e) **Non utilizzare un pacco batterie o l'utensile se danneggiati o manomessi.** Pacchi batterie danneggiati o manomessi potrebbero avere comportamenti imprevisti con il rischio di incendiarsi, esplodere o provocare lesioni a persone.
- f) **Non esporre un pacco batterie o l'utensile alle fiamme o a temperature eccessivamente elevate.** L'esposizione alle fiamme o a temperature superiori a 130 °C potrebbe provocare un'esplosione. NOTA: la temperatura di "130 °C" corrisponde a "265 °F".
- g) **Seguire tutte le istruzioni per la ricarica e non caricare il pacco batterie o l'utensile a temperature che non rientrino nell'intervallo specificato nelle istruzioni.** Se si effettua la ricarica in modo improprio o a temperature non comprese nell'intervallo specificato, il pacco batterie potrebbe subire danni e potrebbe aumentare il rischio di incendi.

6) Riparazione

- a) **L'assistenza per l'elettro utensile deve essere prestata da un tecnico qualificato che utilizzi soltanto ricambi originali.** In questo modo viene garantita la sicurezza dell'elettro utensile.
- b) **Non tentare di riparare pacchi batterie danneggiati.** La riparazione dei pacchi batteria deve essere effettuata esclusivamente dal produttore o presso centri di assistenza autorizzati.

AVVERTENZE DI SICUREZZA PER I SEGHETTI ALTERNATIVI

- **Avvertenza di radiazione laser.** Laser di classe 2, P max.: <1 mW, λ: 650 nm, EN 60825-1:2014. Non fissare direttamente il raggio laser o il rispettivo foro di uscita. Non dirigere il raggio laser

verso persone, animali o superfici riflettenti. Anche un breve contatto con gli occhi può provocare danni alla vista. Esaminare il foro di uscita del laser con l'uso di strumenti ottici (come lenti di ingrandimento, ingranditori o simili) comporta rischi di lesioni agli occhi. Quando si lavora con laser di classe 2, rispettare le normative nazionali che prevedono di indossare delle protezioni oculari.

- **Quando si eseguono operazioni in cui l'accessorio da taglio potrebbe entrare in contatto con fili elettrici nascosti, tenerlo esclusivamente dalle superfici di presa isolate.** Gli accessori da taglio che vengono a contatto con un cavo sotto tensione trasmettono la corrente elettrica anche alle parti metalliche esposte dell'elettrotensile, con il pericolo di provocare la folgorazione dell'operatore.
- **Tenere le mani lontane dalla zona di taglio.** Non sporgersi sotto il pezzo in lavorazione. Il contatto con la lama del seghetto può provocare lesioni personali.
- **Appoggiare la lama sul pezzo in lavorazione solo una volta acceso l'elettrotensile.** In caso contrario sussiste il pericolo di contraccolpo, se l'utensile da taglio si dovesse inceppare nel pezzo in lavorazione.
- **Prestare attenzione a che la piastra di base poggi saldamente sul materiale durante l'esecuzione del taglio.** Se la lama si inceppa può rompersi o provocare un contraccolpo.
- **Una volta terminata l'esecuzione del taglio, spegnere l'elettrotensile e, prima di estrarre la lama dal taglio eseguito, attendere che si sia arrestata completamente.** In questo modo è possibile evitare contraccolpi e appoggiare la macchina in sicurezza.
- **Usare esclusivamente lame integre, in perfette condizioni.** Lame deformate o non affilate possono rompersi, influenzare negativamente il taglio oppure causare un contraccolpo.
- **Dopo aver spento l'elettrotensile, non cercare di arrestare la lama esercitando una pressione laterale.** La lama può danneggiarsi, rompersi o provocare un contraccolpo.
- **Utilizzare rilevatori appropriati per stabilire se nell'area di lavoro sono presenti fili elettrici o tubature nascosti oppure telefonare all'azienda di erogazione locale per richiedere assistenza.** Un contatto accidentale con un filo elettrico può provocare un incendio e una scossa elettrica.

Una tubatura del gas danneggiata può causare un'esplosione. La perforazione di una tubatura dell'acqua provoca danni materiali.

- **Fissare il pezzo in lavorazione.** Un pezzo bloccato con dispositivi di bloccaggio o in una morsa viene tenuto fermo più saldamente che con le mani.
- **Attendere sempre che l'elettrotensile si sia arrestato completamente prima di appoggiarlo.** L'utensile accessorio può incepparsi e portare alla perdita di controllo dell'elettrotensile.
- **Usare i morsetti o un altro mezzo pratico per fissare e puntellare il pezzo in lavorazione su una piattaforma stabile.** Reggendo il pezzo in lavorazione in mano o premendolo contro il proprio corpo, esso rimane instabile e potrebbe verificarsi una perdita di controllo.

AVVERTENZE DI SICUREZZA PER LA BATTERIA

- a) **Non aprire la batteria.** Pericolo di cortocircuito.
- b) **Proteggere la batteria dal calore, ad esempio dalla luce solare intensa, dal fuoco, dall'acqua e dall'umidità.** Pericolo di esplosione.
- c) **In caso di danni e uso improprio della batteria, potrebbero essere emessi dei vapori. Ventilare l'area e rivolgersi a un medico in caso di malessere.** I vapori possono irritare il sistema respiratorio.
- d) **Utilizzare la batteria solo in combinazione con il prodotto Vonroc.** Questo accorgimento protegge la batteria da un sovraccarico pericoloso.
- e) **La batteria può essere danneggiata da oggetti appuntiti come chiodi o cacciaviti o da una forza applicata esternamente.** Si può verificare un cortocircuito interno e la batteria potrebbe bruciare, fumare, esplodere o surriscaldarsi.

AVVERTENZE DI SICUREZZA PER IL CARICABATTERIE

Uso previsto

Caricare solo pacchi batteria ricaricabili di tipo CD801AA e CD803AA con il caricabatterie. Batterie di tipi diversi potrebbero esplodere provocando lesioni personali e danni.

- a) **L'apparecchio non deve essere usato da persone con capacità fisiche, sensoriali o mentali ridotte (bambini inclusi) o che non hanno alcuna esperienza o conoscenza dell'apparecchio, a meno che non siano sorvegliate o siano state istruite sull'uso del prodotto.**
- b) **Accertarsi che i bambini non giochino con il caricabatterie.**

- c) **Non ricaricare batterie non ricaricabili!**
 d) **Durante la carica le batterie devono rimanere inserite nell'area adeguatamente ventilata!**

2. INFORMAZIONI RELATIVE ALL'ELETTROUTENSILE

Uso previsto

Questo elettroutensile è destinato all'esecuzione di tagli di qualsiasi dimensione e forma in legno, materie plastiche, ceramica, gomma, ecc., mantenendo la piastra di base saldamente appoggiata sul pezzo in lavorazione. Usare sempre una lama idonea.

DATI TECNICI



Il presente manuale è stato predisposto per diversi assortimenti / codici articolo.

Verificare il codice articolo corrispondente nella tabella di specificazione sottostante per la composizione e i contenuti corretti per il proprio assortimento.

Numero modello	Batterie incluse	Caricabatterie incluso
JS501DC	-	-
S_JS501DC	CD801AA	CD802AA
S2_JS501DC	2 x CD801AA	CD802AA
S3_JS501DC	CD803AA	CD802AA
S4_JS501DC	CD801AA	CD802AA

Informazioni relative all'elettroutensile

Tensione di corrente	20V
Velocità in assenza di carico	0-2500/min
Corsa della sega	25mm
Max. capacità di segatura legno 0°	50mm
Max. capacità di segatura acciaio 0°	8mm
Peso	1,85 kg
Livello pressione sonora LPA	82,0 dB(A), K=3dB(A)
Livello di potenza sonora LWA	93,0 dB(A), K=3dB(A)
Vibrazioni "Segatura di lamiera"	5,459 m/s ² K=1,5 m/s ²
Vibrazioni 'Segare compensato'	5,658 m/s ² K=1,5 m/s ²

Numero modello	CD801AA
Tipo di batteria	Ioni di litio
Tensione	20V
Capacità	2,0 Ah
Caricabatterie consigliato	CD802AA
Peso	0,3 kg

Numero modello	CD802AA
Ingresso del caricabatterie	220-240V,50Hz 0,4A
Uscita del caricabatterie	21V 2,5A
Tempo di ricarica batteria 2Ah	60 minuti
Tempo di ricarica batteria 4Ah	120 minuti
Batterie consigliate	CD801AA, CD803AA
Peso	0,36 kg

Modelo n.º	CD803AA
Tipo di batteria	Ioni di litio
Tensione	20V
Capacità	4,0,Ah
Caricabatterie consigliato	CD802AA
Peso	0,65 kg

Utilizzare esclusivamente le batterie seguenti della piattaforma di batterie da 20 V VONROC POWER. L'uso di batterie diverse potrebbe causare gravi lesioni personali o danni all'elettroutensile. Batteria agli ioni di litio da 20 V 2 Ah, CD801AA. Batteria agli ioni di litio da 20 V 4 Ah, CD803AA.

Il caricabatterie seguente può essere usato per caricare queste batterie.

Caricabatterie rapido CD802AA

Le batterie della piattaforma di batterie da 20 V VONROC POWER sono intercambiabili con tutti gli elettroutensili con batterie della piattaforma da 20 V VONROC POWER.

Livello delle vibrazioni

Il livello di emissione delle vibrazioni indicato sul retro di questo manuale di istruzioni è stato misurato in conformità a un test standardizzato stabilito dalla norma EN 62841; questo valore può essere utilizzato per mettere a confronto un l'utensile con un altro o come valutazione preliminare di esposi-

zione alla vibrazione quando si impiega l'utensile per le applicazioni menzionate

- se si utilizza l'utensile per applicazioni diverse, oppure con accessori differenti o in scarse condizioni, il livello di esposizione potrebbe aumentare notevolmente
- i momenti in cui l'utensile è spento oppure è in funzione ma non viene effettivamente utilizzato per il lavoro, possono contribuire a ridurre il livello di esposizione

Proteggersi dagli effetti della vibrazione effettuando la manutenzione dell'utensile e dei relativi accessori, mantenendo le mani calde e organizzando i metodi di lavoro.

DESCRIZIONE

I numeri che compaiono nel testo si riferiscono agli schemi riportati alle pagine 2-4.

1. Pulsante di sicurezza
2. Interruttore di accensione/spengimento
3. Impugnatura
4. Batteria
5. Pulsante di sblocco batteria
6. Selettore del movimento pendolare
7. Scala per angolo di taglio inclinato
8. Coperchio della piastra di base
9. Piastra di base
10. Rullo guida
11. Interruttore laser
12. Carter di protezione
13. Leva di bloccaggio
14. Bulloni ad alette per guida parallela
15. Chiave a brugola
16. Mandrino
17. Lama del seghetto
18. Bullone piastra di base
19. Guida parallela
20. Laser
21. Marcatura di taglio
22. Vite di regolazione raggio laser
23. Pulsante per spie a LED batteria
24. Spie a LED batteria
25. Caricabatterie
26. Indicatori a LED caricabatterie

3. MONTAGGIO



Prima di compiere qualsiasi intervento sull'elettro utensile rimuovere la batteria.



Prima del primo utilizzo la batteria deve essere caricata.

Inserimento della batteria nell'elettro utensile (Fig. A, G)



Assicurarsi che la batteria sia pulita esternamente prima di collegarla al caricabatterie o all'elettro utensile.

1. Inserire la batteria (4) nella base dell'elettro utensile, come illustrato nella Figura F.
2. Spingere in avanti la batteria finché scatta in posizione con un clic.

Rimozione della batteria dall'elettro utensile (Fig. A, G)

1. Premere i pulsanti di sblocco della batteria (5)
2. Estrarre la batteria dall'elettro utensile, come illustrato nella Fig. G.

Verifica dello stato di carica della batteria (Fig. I)

- Per verificare lo stato di carica della batteria, premere brevemente il pulsante (23) sulla batteria.
- La batteria presenta 3 spie che indicano il livello di carica: più spie sono accese più la batteria è carica.
- Se le spie non sono illuminate di rosso, significa che la batteria è completamente scarica e deve essere ricaricata immediatamente.

Carica della batteria con il caricabatterie (Fig. I)

1. Rimuovere la batteria (4) dalla macchina.
2. Capovolgere la batteria (4) e inserirla nel caricabatterie (25), come illustrato nella Fig. I.
3. Spingere la batteria finché si incastra nell'apposito alloggiamento.
4. Collegare la spina del caricabatterie a una presa elettrica e attendere un momento. Gli indicatori a LED sul caricabatterie (26) si illuminano e mostrano lo stato di carica della batteria.

Sul caricabatterie sono presenti 2 indicatori a LED (26) che mostrano lo stato del processo di carica:

Stato LED rosso	Stato LED verde	Stato del carica-batterie
Spento	Spento	Nessuna alimentazione
Spento	Acceso stabile	Modalità standby: - Nessuna batteria inserita oppure, - Batteria inserita ma la ricarica è terminata
Acceso stabile	Spento	Carica della batteria in corso

- Per caricare completamente la batteria da 2Ah possono essere necessari fino a 60 minuti.
- Per caricare completamente la batteria da 4Ah possono essere necessari fino a 120 minuti.



Una volta caricata la batteria, rimuovere la spina del caricabatterie dalla presa di corrente e rimuovere la batteria dal caricabatterie.

Sostituzione della lama (Fig. A e C)



Per installare la lama indossare guanti di protezione. Pericolo di lesioni personali in caso di contatto con la lama della sega.



Utilizzare esclusivamente lame che corrispondano alle caratteristiche riportate nelle istruzioni per l'uso.

Installazione della lama



Assicurarsi che il portalama sia libero da residui di materiale (come schegge di legno o di metallo).

1. Ruotare la leva di bloccaggio lama (13) il più possibile verso sinistra e mantenerla in quella posizione.
2. Inserire la lama nel mandrino (16). Verificare che la lama sia fissata saldamente e che i denti siano rivolti verso il basso.
3. Lasciare la leva di bloccaggio lama. Controllare che la lama sia bloccata in posizione.

Assicurarsi di utilizzare la lama idonea per il materiale da tagliare. In dotazione con la sega viene

fornita una lama da legno per tagli grossolani e una lama da metalli e materiali plastici per tagli fini.

Rimozione della lama

1. Ruotare la leva di bloccaggio lama (13) il più possibile verso sinistra e mantenerla in quella posizione.
2. Rimuovere la lama dal mandrino (16). Lasciare la leva di bloccaggio lama.

Fissaggio della guida parallela (Fig. D)

1. Allentare i bulloni ad alette (14).
2. Fissare la guida parallela (19) sulla piastra di base (9).
3. Regolare la profondità di tagli desiderata utilizzando la scala sulla guida parallela (14) e la marcatura di taglio sulla piastra di base (20). La marcatura di taglio (20) indica la posizione della lama.
4. Serrare i bulloni ad alette (14).

4. FUNZIONAMENTO

Accensione e spegnimento dell'elettrotensile (Fig. A)

- Per accendere l'elettrotensile tenere premuto il pulsante di sicurezza (1), quindi premere l'interruttore di accensione/spegnimento (2).
- L'ulteriore pressione dell'interruttore di accensione/spegnimento (2) provocherà un'accelerazione del movimento della lama. La velocità richiesta dipende dal materiale e può essere stabilita con una prova pratica.
- Per arrestare l'elettrotensile rilasciare l'interruttore di accensione/spegnimento (2).

Accensione e spegnimento del laser (Fig. A)

- Premere l'interruttore del laser (11) per accendere/spegnere il raggio laser. L'interruttore del laser (11) accende anche la luce di lavoro a LED.

Regolazione fine del laser

Nota: per testare la funzione laser è necessario che la batteria sia inserita nell'elettrotensile.



Durante la regolazione del laser non azionare mai l'interruttore di accensione/spegnimento. L'avvio accidentale dell'elettrotensile può provocare lesioni personali.

Se il laser (11) cessa di indicare la linea di taglio corretta è possibile ripetere la regolazione. A tale scopo,

registrare la vite di regolazione laser (22) e regolare il raggio laser finché indica una linea di taglio corretta.

Regolazione dell'angolo di taglio inclinato (Fig. B e F)

1. Allentare il bullone (18) con la chiave a brugola (15) in dotazione.
2. Regolare la piastra di base (9) nella posizione desiderata (0°- 45°). Il corrispondente angolo di taglio inclinato può essere letto sulla scala (7).
3. Serrare il bullone (18) con la chiave a brugola (15) in dotazione. La chiave a brugola può essere conservata sulla macchina, come illustrato nella Fig. B.

Regolazione del movimento pendolare (Fig. A)

L'interruttore del movimento pendolare viene usato per stabilire il modo in cui i denti della lama fanno presa sul materiale.

Il selettore del movimento pendolare può essere regolato in 4 posizioni:

- 0 - Nessun movimento pendolare
- 1 - Movimento pendolare ridotto
- 2 - Movimento pendolare medio
- 3 - Movimento pendolare elevato

Il movimento pendolare richiesto può essere stabilito con una prova pratica, tuttavia è possibile attenersi alle indicazioni seguenti:

- Materiale morbido (legno, materiale plastico, ecc.): utilizzare il movimento pendolare al livello II o III. Per ottenere un taglio più fine e più pulito utilizzare il movimento pendolare al livello 0 o I.
- Materiale di spessore ridotto: utilizzare il movimento pendolare al livello 0.
- Materiale duro (acciaio, ecc.): utilizzare il movimento pendolare al livello 0.
- Curve: utilizzare il movimento pendolare al livello 0.

Taglio a tuffo (Fig. H)

Il taglio a tuffo può essere utilizzato solo su materiali morbidi come legno, calcestruzzo aerato, cartoni in pietra da gesso, ecc.

Tuttavia, questo richiede un certo esercizio ed è possibile solamente con lame di sega corte.

1. Posizionare la sega sul pezzo da lavorare e accenderla.
2. Assicurarsi che l'estremità inferiore della piastra di base sia appoggiata sulla superficie del pezzo da lavorare come indicato.
3. Segare lentamente il pezzo da lavorare ad

un'angolazione, spostando la sega in posizione verticale e continuando a segare lungo la linea di taglio.

4. Spegnerne la sega e sollevare il pezzo da lavorare quando il lavoro è completato.

Suggerimenti per un uso ottimale

- Bloccare il pezzo in lavorazione. Utilizzare un dispositivo di bloccaggio per eseguire tagli su piccoli pezzi.
- Tracciare una linea per definire la direzione in cui muovere la lama.
- Tenere saldamente l'elettrotensile mediante l'impugnatura.
- Impostare la velocità di segatura.
- Impostare l'angolo di quartabuono.
- Impostare la posizione pendolare.
- Accendere l'elettrotensile.
- Attendere finché l'elettrotensile non ha raggiunto la massima velocità.
- Posizionare la scarpa della sega sul pezzo in lavorazione.
- Muovere lentamente l'elettrotensile lungo la linea tracciata precedentemente, premendo saldamente la scarpa della sega contro il pezzo in lavorazione.
- Non esercitare una pressione eccessiva sull'elettrotensile. Lasciare che l'elettrotensile effettui il lavoro di taglio.
- Prima di appoggiare l'elettrotensile, spegnerlo e attendere che si arresti completamente.

5. MANUTENZIONE



Prima di eseguire qualsiasi operazione di pulizia e intervento di manutenzione spegnere sempre l'elettrotensile e rimuovere la batteria dall'elettrotensile.

Pulire regolarmente il corpo dell'elettrotensile con un panno morbido, preferibilmente dopo ogni uso. Assicurarsi che le prese d'aria siano libere da polvere e sporizia. Rimuovere lo sporco particolarmente ostinato con un panno morbido inumidito con acqua e sapone. Non utilizzare solventi come benzina, alcol, ammoniaca, ecc. Le sostanze chimiche di questo tipo danneggiano i componenti sintetici.

AMBIENTE



Le apparecchiature elettriche o elettroniche difettose e/o scartate devono essere raccolte presso gli opportuni siti di riciclaggio.

Solo per i Paesi CE

Non smaltire gli elettrodomestici insieme ai rifiuti domestici. Secondo la Direttiva europea 2012/19/ EC sui rifiuti delle apparecchiature elettriche ed elettroniche e relativa implementazione nelle normative locali, gli elettrodomestici ormai inutilizzabili devono essere raccolti separatamente e smaltiti in modo ecologico.

DEFINIZIONI DELLA GARANZIA

I prodotti VONROC sono sviluppati secondo i più elevati standard di qualità e viene garantita l'assenza di difetti nei materiali e nella manodopera per il periodo contrattuale a partire dalla data di acquisto originale. Qualora il prodotto dovesse subire un guasto qualsiasi durante questo periodo a causa di difetti nei materiali e/o nella manodopera, si prega di contattare direttamente il VONROC.

Le seguenti circostanze sono escluse da questa garanzia:

- Riparazioni e/o modifiche alla macchina sono state eseguite o tentate da centri di assistenza non autorizzati.
- Normale usura.
- L'utensile è stato abusato, utilizzato o manutenu- to in modo improprio.
- Sono state utilizzate parti di ricambio non originali

Ciò costituisce l'unica garanzia espressa o implicita fornita dall'azienda. Non esistono altre garanzie espresse o implicite che si estendono oltre il presente documento, ivi comprese le garanzie implicite di commerciabilità e idoneità per uno scopo particolare. In nessun caso VONROC sarà responsabile di eventuali danni incidentali o consequenziali. I rimedi dei rivenditori saranno limitati alla riparazione o sostituzione di unità o parti non conformi.

Il prodotto e il manuale per l'utente sono soggetti a modifiche. I dati tecnici possono essere modificati senza ulteriore notifica.

1. SÄKERHETSANVISNINGAR

Läs de medföljande säkerhetsvarningarna, de kompletterande säkerhetsvarningarna och anvisningarna. Underlåtenhet att följa säkerhetsvarningarna och anvisningarna kan orsaka elstöt, brand och/ eller allvarlig skada. Spara säkerhetsvarningarna och anvisningarna för framtida bruk.

Följande symboler används i användarhandboken eller på produkten:



Läs användarhandboken.



Anger risk för personskada, dödsfall eller skada på verktyget om anvisningarna i denna handbok inte följs.



Håll åskådare, särskilt barn och husdjur på ett avstånd större än 10 meter.



Använd skyddsglasögon.



Använd hörselskydd.



Använd en dammask.



Riskområde! Håll händerna långt borta (10 cm) från skårområdet när maskinen är igång. Risk för skador om man kommer i kontakt med sågklingen.



Varning för laserstrålning.



Länk till tidsfördröjd miniatyrsäkring.



Maxtemperatur 45°C



Kasta inte batteriet i elden.



Kasta inte batteriet i vatten.



Separat återvinning av litiumjonbatteriet.



Produkten uppfyller gällande säkerhetsnormer i EU-direktiven.

ALLMÄNNA SÄKERHETSFÖRESKRIFTER FÖR ELVERKTYG



VARNING! Läs alla säkerhetsvarningar och alla anvisningar. Underlåtenhet att följa varningar och instruktioner kan resultera i elstötar, brand och/eller allvarliga skador.

Spara alla varningar och instruktioner för framtida referens.

Termen "elverktyg" i varningarna hänvisar till ditt elverktyg (med sladd) eller batteridrivet (sladdlöst) elverktyg.

1) Arbetsplats säkerhet

- Håll arbetsplatsen ren och välbelyst.** Belamrade eller mörka områden inbjuder till olyckor.
- Använd inte elektriska verktyg i explosiva atmosfärer, såsom i närvaro av lättantändliga vätskor, gaser eller damm.** Elverktyg skapar gnistor som kan antända damm eller ångor.
- Håll barn och åskådare borta medan du arbetar med ett elverktyg.** Om du blir distraherad kan du tappa kontrollen.

2) Elsäkerhet

- Verktygets elkontakt måste passa till vägguttaget. Ändra inte kontakten på något sätt. Använd inte adapterkontakter med jordade elverktyg.** Omodifierade kontakter och matchande uttag minskar risken för elektrisk stöt.
- Undvik kroppskontakt med jordade ytor såsom rör, värmeelement, spisar och kylskåp.** Det finns en ökad risk för elektrisk stöt om din kropp är jordansluten eller jordad.
- Utsätt inte elektriska verktyg för regn eller väta.** Vatten som tränger in i ett elverktyg ökar risken för elstöt.
- Hantera inte elkabeln felaktigt. Använd aldrig sladden för att bära, dra eller koppla bort elverktyget från uttaget. Håll sladden borta från värme, olja, vassa kanter eller rörliga delar.** Skadade eller tilltrasslade sladdar ökar risken för elektrisk stöt.
- När du arbetar med ett elverktyg utomhus, använd en förlängningssladd som passar för utomhusanvändning.** Användning av en sladd som passar för utomhusanvändning minskar risken för elektrisk stöt.
- Om arbete med ett elverktyg i en fuktig lokal är oundvikligt, använd ett uttag som är skyddat med jordfelsbrytare.** Användning av jordfelsbry-

tare minskar risken för elstöt.

3) Personlig säkerhet

- Var uppmärksam, kontrollera vad du gör och använd sunt förnuft när du arbetar med ett elektriskt verktyg. Använd inte ett elverktyg när du är trött eller påverkad av droger, alkohol eller medicinering.** Ett ögonblicks ouppmärksamhet under arbetet kan resultera i allvarliga personskador.
 - Använd personlig skyddsutrustning. Bär alltid ögonskydd.** Skyddsutrustning såsom dammfilterskydd, halksäkra säkerhetsskor, skyddshjälm eller hörselskydd som används för lämpliga förhållanden minskar personskador.
 - Förebygg oavsiktlig igångsättning. Se till att strömbrytaren är i avstängd position innan anslutning till strömkällan och/eller batteriet, verktyget lyfts upp eller bärs.** Om du bär elverktyg med ditt finger på strömbrytaren eller ansluter ett påkopplat elverktyg till nätströmmen kan en olycka inträffa.
 - Avlägsna eventuell justeringsnyckel eller skiftnyckel innan du sätter på elverktyget.** En skiftnyckel eller en nyckel som sitter kvar på en roterande del av elverktyget kan resultera i personskada.
 - Böj dig inte för långt. Bibehåll alltid ordentlig fotfäste och balans.** Detta möjliggör bättre kontroll av elverktyget i oväntade situationer.
 - Bär lämpliga kläder. Använd inte vida kläder eller smycken. Håll hår, kläder och handskar borta från rörliga delar.** Lösa kläder, smycken eller långt hår kan fastna i rörliga delar.
 - Om enheten är försedd med anslutning av dammsug och uppsamlingsmöjlighet, se till att dessa är anslutna och används korrekt.** Dammpptagning minskar dammrelaterade risker.
 - Låt inte erfarenheten som uppnås vid frekvent användning av verktyg låta dig bli för självsäker och ignorera verktygs säkerhetsprinciperna.** En oförsiktig handling kan orsaka allvarliga skador under bråkdelen av en sekund.
- ### 4) Användning och skötsel av elverktyg
- Tvinga inte elverktyget. Använd rätt slags elektriska verktyg för ditt arbete.** Rätt elverktyg gör arbetet bättre och säkrare vid den hastighet som det har konstruerats för.
 - Använd inte elverktyget om strömbrytaren inte**

- sätter på och stänger av det.** Ett elverktyg som inte kan kontrolleras med strömbrytaren är farligt och måste repareras.
- c) **Dra ur kontakten från strömkällan och/eller batteriet från elverktyget innan du gör några justeringar, byter tillbehör eller lägger undan elverktygen för förvaring.** Sådana förebyggande säkerhetsåtgärder minskar risken för att elverktyget startar oavsiktligt.
- d) **Förvara elverktyg oåtkomliga för barn och låt inte personer som är obekanta med verktyget eller dessa instruktioner använda verktyget.** Elektriska verktyg är farliga i händerna på oerfarna användare.
- e) **Underhåll elektriska verktyg. Kontrollera för feljustering eller om rörliga delar har fastnat, bristning hos delar och andra eventuella förhållanden som kan komma att påverka elverktygets funktion. Om det är skadat, se till att elverktyget blir reparerat före användning.** Många olyckor orsakas av dåligt underhållna elektriska verktyg.
- f) **Håll kapverktyg vassa och rena.** Korrekt underhållna kapverktyg med vassa kanter är mindre troliga att kärva och lättare att kontrollera.
- g) **Använd elverktyget, dess tillbehör och verktyg i enlighet med dessa instruktioner och under beaktande av arbetsförhållandena och det arbete som ska utföras.** Användning av elverktyget för andra uppgifter än vad som avsetts kan resultera i farliga situationer.
- h) **Se till att handtagen är torra, rena och fria från olja och fett.** Hala handtag och greppytor tillåter inte säker hantering och kontroll av verktyget i oväntade situationer.
- 5) Användning och skötsel av batteridrivna verktyg**
- a) **Ladda endast med den laddare som är specificerad av tillverkaren.** En laddare som passar för en typ av batteri kan medföra risk för brand när den används med en annat batteri.
- b) **Använd elverktygen enbart med det därtill avsedda batteriet.** Användning av andra batteri kan skapa en risk för skada och brand.
- c) **När batteriet inte används, håll det borta från andra metallföremål, såsom gem, mynt, nycklar, spikar, skruvar eller andra små metallföremål som kan skapa en förbindelse från ena polen till den andra.** Kortslutning av batteriets terminaler kan leda till brännskada eller brand.
- d) **Vid felaktig hantering kan vätska komma ut från batteriet, undvik kontakt med denna. Spola med vatten vid oavsiktlig kontakt. Sök läkarhjälp om vätskan kommer i kontakt med ögon.** Vätska som kommer ut från batteriet kan orsaka irritation eller brännskada.
- e) **Använd inte batterier eller verktyg som är skadade eller modifierade.** Skadade eller modifierade batterier kan uppvisa oförutsägbart beteende som kan leda till brand, explosion eller risk för skada.
- f) **Utsätt inte batteri eller verktyg för eld eller överdriven temperatur.** Exponering för brand eller temperatur över 130 °C kan orsaka explosion. OBS! Temperaturen "130 °C" kan ersättas med temperaturen "265 °F".
- g) **Följ alla laddningsanvisningar och ladda inte batteriet eller verktyget utanför det temperaturområde som anges i instruktionerna.** Om du laddar batteriet felaktigt eller vid temperaturer utanför det angivna området kan det skada batteriet och öka risken för brand.
- 6) Service**
- a) **Se till att ditt elverktyg får service av en kvalificerad reparatör, som endast använder identiska ersättningsdelar.** Detta säkerställer att elverktygets säkerhet upprätthålls.
- b) **Utför aldrig service på skadade batterier.** Service av batteri ska endast utföras av tillverkaren eller auktoriserade serviceleverantörer.
- SÄKERHETSVARNINGAR FÖR STICKSÅGAR**
- **Varning för laserstrålning.** Laserklass 2, P max: <1 mW, λ: 650 nm, EN 60825-1:2014. Titta inte direkt in i laserstrålen eller öppningen från vilken den kommer ut. Rikta aldrig laserstrålen mot människor, djur eller reflekterande ytor. Även kort ögonkontakt kan leda till ögonskador. Undersökning av laserutgångsöppningen med optiska instrument (t.ex. förstoringsglas, kikare och liknande) medför risk för ögonskador. När du arbetar med en laser av klass 2, följ de nationella föreskrifterna för användning av ögonskydd.
 - **Håll elverktyget i de isolerade greppytorna när du utför arbete där kaptillbehör kan komma i kontakt med dolda ledningar.** Kaptillbehör som kommer i kontakt med en strömförande ledning kan göra att exponerade metalldelar hos elverktyget blir strömförande och kan ge användaren en elstö.

- **Håll händerna borta från sågområdet.** Sträck dig inte in under arbetsstycket. Kontakt med sågbladet kan leda till personskador.
- **Applicera maskinen på arbetsstycket endast när den är påslagen.** Annars finns det risk för kast när kapverktyget fastnar i arbetsstycket.
- **Var uppmärksam på att bottenplattan vilar säkert på materialet under sågningen.** Ett fastnat sågblad kan gå sönder eller leda till kast.
- **När kapningen är klar, stäng av maskinen och dra sedan sågklingan ur snittet först när den har stannat.** På det här sättet kan du undvika kast och placera maskinen säkert.
- **Använd endast oskadade sågblad som är i perfekt skick.** Böjda eller slöa sågblad kan gå sönder, påverka snittet negativt eller leda till kast.
- **Bromsa inte sågklingan genom att applicera sidotryck efter avstängning.** Sågbladet kan skadas, gå sönder eller orsaka kast.
- **Använd lämpliga detektorer för att avgöra om det finns dolda ledningar inom arbetsområdet eller ring lokalt elbolag för hjälp.** Kontakt med elektriska ledningar kan leda till brand och elektrisk stöt. Skador på en gasledning kan leda till explosion. Penetrering av en vattenledning kan orsaka egendomsskador.
- **Säkra arbetsstycket.** Ett arbetsstycke som klämts fast med klämmor eller i ett skruvstöd hålls säkrare än det görs för hand.
- **Vänta alltid till maskinen stannat helt innan den läggs ned.** Verktygets insats kan fastna och leda till att kontrollen förloras över verktyget.
- **Använd klämmor eller något annat praktiskt sätt att stödja arbetsstycket vid ett stabilt underlag.** Att hålla arbetsstycket för hand eller mot kroppen är instabilt och kan göra att du förlorar kontrollen.

SÄKERHETSVARNINGAR FÖR BATTERI

- a) **Öppna inte batteriet.** Risk för kortslutning.
- b) **Skydda batteriet mot hetta, t.ex. mot kontinuerlig intensiv solstrålning, brand, vatten och fukt.** Risk för explosion.
- c) **Vid skada och felaktig användning av batteriet kan ångor läcka ut. Ventilera området och sök medicinsk hjälp vid besvär.** Ångorna kan irritera andningssystemet.
- d) **Använd endast batteriet i kombination med din Ferm industriprodukt.** Denna åtgärd ensamt skyddar batteriet mot farlig överbelastning.
- e) **Batteriet kan skadas av vassa föremål såsom**

spikar eller skruvmejslar eller externa krafter. En intern kortslutning kan uppstå och batteriet kan brinna, avge rök, explodera eller överhettas.

SÄKERHETSVARNINGAR FÖR LADDARE

Avsedd användning

Ladda endast uppladdningsbara batterier av typen CD801AA och CD803AA med laddaren. Andra typer av batterier kan explodera och orsaka personskada och skada.

- a) **Apparaten får inte användas av personer (inklusive barn) med nedsatt fysisk eller mental förmåga eller brist på erfarenhet och kunskap, såvida de inte övervakas eller instrueras.**
- b) **Barn skall övervakas så att de inte leker med apparaten.**
- c) **Ladda inte batterier som inte är uppladdningsbara!**
- d) **Batterierna måste placeras i ett väl ventilerat område under laddning!**

2. MASKININFORMATION

Avsedd användning

Maskinen är avsedd för sågning av trä, metall, plast, keramik, gummi etc. i önskad storlek och i önskad form, samtidigt som bottenplattan ligger stadigt på arbetsstycket. Ett lämpligt sågblad måste alltid användas.


TEKNISKA SPECIFIKATIONER





Denna handbok har tagits fram för olika uppsättningar / artikelnummer. Kontrollera motsvarande artikelnummer i specifikationstabellen nedan för korrekt sammansättning och innehåll i din uppsättning.

Modellnr	Batterier ingår	Laddare ingår
JS501DC	-	-
S_JS501DC	CD801AA	CD802AA
S2_JS501DC	2 x CD801AA	CD802AA
S3_JS501DC	CD803AA	CD802AA
S4_JS501DC	CD801AA	CD802AA

Maskininformation	
Nominell spänning	20V
Varvtal utan belastning	0-2500/min
Sågslag	25 mm
Max. sågkapacitet trä 0°	50 mm
Max. sågkapacitet stål 0°	8 mm
Vikt	1,85 kg
Ljudtrycknivå LPA	82,0 dB(A), K=3dB(A)
Ljudeffektnivå LWA	93,0 dB(A), K=3dB(A)
Vibration vid sågning av plåt	5,459 m/s ² K=1,5 m/s ²
Vibration vid sågning av plywood	5,658 m/s ² K=1,5 m/s ²

Modellnr	CD801AA
Batterityp	Litiumjonteknik
Spänning	20 V 
Kapacitet	2,0 Ah
Rekommenderad laddare	CD802AA
Vikt	0,3 kg

Modellnr	CD802AA
Laddare in	220-240V,50Hz 0,4A
Laddare ut	21V  2,5A
Laddningstid 2 Ah batteri	60 minuter
Laddningstid 4 Ah batteri	120 minuter
Rekommenderade batterier	CD801AA, CD803AA
Vikt	0,36 kg

Modellnr	CD803AA
Batterityp	Litiumjonteknik
Spänning	20 V 
Kapacitet	4,0 Ah
Rekommenderad laddare	CD802AA
Vikt	0,65 kg

Använd endast följande batterier från VONROC VPOWER 20V batteriplattform. Användning av andra batterier kan orsaka allvarliga skador eller skador på verktyget.

CD801AA 20V, 2Ah litiumjon
CD803AA 20V, 4Ah litiumjon

Följande laddare kan användas för att ladda dessa batterier.

CD802AA snabbaddare

Batterierna från VONROC VPOWER 20V batteriplattform är utbytbara mellan alla VONROC VPOWER 20V batteriplattformens verktyg.

Vibrationsnivå

Vibrationsutsläppsnivån som anges i denna bruksanvisning har uppmätts i enlighet med ett standardiserat test i EN 62841, som kan användas för att jämföra verktyg med varandra och som en preliminär bedömning av exponering för vibrationer när du använder verktyget för angivna arbeten.

- Användning av verktyget för andra tillämpningar, eller med olika eller dåligt underhållna tillbehör kan avsevärt öka exponeringsnivån.
- De gånger då verktyget stängs av eller är på men egentligen inte används kan minska exponeringsnivån betydligt.

Skydda dig mot effekterna av vibrationer genom att underhålla verktyget och dess tillbehör, hålla händerna varma och organisera ditt arbetsmönster.

BESKRIVNING

Siffrorna i texten hänvisar till diagrammen på sidorna 2-4.

1. Låsknapp
2. Strömbrytare
3. Handtag
4. Batteri
5. Upplåsningsknapp för batteriet
6. Pendelverkansbrytare
7. Skala för fasningsvinkel
8. Skydd för bottenplattan
9. Basplatta
10. Styrulle
11. Laserreglage
12. Skydd
13. Klämspak
14. Vingmuttrar för parallellanslag
15. Insexnyckel
16. Chuck
17. Sågklinga
18. Bult för bottenplatta
19. Parallellanslag
20. Laser
21. Skärmärke
22. Ställskruv för laser

- 23. Knapp för batteri-LED-indikatorer
- 24. Batteri-LED-indikatorer
- 25. Laddare
- 26. LED-laddningsindikering

3. MONTERING



Ta bort batteriet innan du utför något arbete på elverktyget.



Batteriet måste laddas innan det används för första gången.

Insättning av batteriet i maskinen (fig. A, G)



Se till att batteriets utsida är ren och torr innan du ansluter det till laddaren eller maskinen.

1. Sätt in batteriet (4) i maskinens bas enligt fig. G.
2. Skjut batteriet framåt tills det klickar på plats.

Borttagning av batteriet från maskinen (fig. A, G)

1. Tryck på batterilåsningknappen (5)
2. Dra ut batteriet ur maskinen enligt fig. G.

Kontroll av batteriets laddningsstatus (fig. I)

- Tryck kort på knappen (23) på batteriet för att kontrollera batteriets laddningsstatus.
- Batteriet har 3 lampor som indikerar laddningsnivån. Ju fler lampor som lyser, desto mer är batteriet laddat.
- När lamporna inte lyser betyder det att batteriet är tomt och måste laddas omedelbart.

Laddning av batteriet med laddaren (fig. I)

1. Ta ut batteriet (4) från maskinen.
2. Vänd batteriet (4) upp och ner och tryck in det i laddaren (25) enligt fig. I.
3. Tryck in batteriet tills det kommer in i luckan helt.
4. Koppla in laddarens kontakt i ett eluttag och vänta en stund. Laddarens LED-indikering (26) kommer att lysa och visa laddningsstatusen.

Laddaren har två laddningsindikeringslampor (26) som indikerar laddningsprocessens status:

Röd LED-status	Grön LED-STATUS	Laddningsstatus
Av	Av	Ingen ström
Av	På	Standbyläge: - Inget batteri insatt eller - Batteriet är isatt men laddningen är klar
På	Av	Batteriladdning pågår

- Det kan ta upp till 60 minuter att fulladda 2 Ah-batteriet.
- Det kan ta upp till 120 minuter att fulladda 4 Ah-batteriet.

Ta ut laddningskontakten från uttaget och ta ut batteriet från laddaren när batteriet har fulladdats.



När maskinen inte används under längre tid är det bäst att lagra batteriet i laddat tillstånd.

Byte av sågblad (fig. A, C)



När du monterar sågbladet, använd skyddshandskar. Risk för skador om man kommer i kontakt med sågbladet.



Använd endast sågblad som motsvarar de karakteristiska data som anges i bruksanvisningen.

Montering av sågklinga



Se till att bladhållaren är fri från materialrester (t.ex. spån av trä eller metall).

1. Vrid klämspanen (13) så långt till vänster som möjligt och håll den i detta läge.
2. För in sågklingan i chucken (16). Kontrollera att sågbladet sitter ordentligt och att tänderna pekar i sågriktningen.
3. Släpp klämspanen. Kontrollera att baksidan på sågbladet är placerat i mitten på styrrullen (10).

Se till att använda rätt sågklinga för motsvarande material. Med maskinen medföljer en grov sågklinga för trä och en fin sågklinga för metall och plast.

Borttagning av sågklinga

1. Vrid klämspanen (13) så långt till vänster som möjligt och håll den i detta läge.
2. Ta ur sågklingan från chucken (16).
3. Släpp klämspanen.

Montera parallellanslag (fig. D)

1. Lossa vingmuttrarna (14).
2. Montera parallellanslaget (19) på basplattan (9).
3. Ställ in önskad skärbredd med hjälp av skalan på parallellanslaget (14) och sågmarkeringen på basplattan (20). Sågmärket (20) anger sågbladets läge.
4. Dra åt vingmuttern (14).

4. HANTERING**Igångsättning och avstängning av maskinen (fig. A)**

Växelbrytaren (2) används för aktivering av maskinen och justering av hastigheten.

- För att starta maskinen, håll in låsknappen (1) och tryck på strömbrytaren (2).
- Ju längre strömbrytaren (2) trycks in, desto snabbare rör sig bladet. Den hastighet som krävs beror på materialet och kan avgöras genom praktiskt test.
- Släpp strömbrytaren (2) för att stoppa maskinen.

Igångsättning och avstängning av laser (fig. A)

- Tryck på laserbrytaren (11) för att slå på eller av lasern. Laserbrytaren (11) tändes också LED-arbetsbelysningen.

Finjustera lasern

Notera: För att testa laserfunktionen måste batteriet sättas i elverktyget.



När du justerar lasern, aktivera aldrig strömbrytaren. Oavsiktlig start av elverktyget kan leda till personskador.

Om lasern (11) slutar att indikera rätt såglinje kan du justera lasern. För att göra det, justera laserjusteringskruven (22) och ställ in lasern tills den visar en korrekt såglinje.

Inställning av fasnivån (fig. B, F)

1. Lossa bulten (18) med insexnyckeln (15).
2. Justera basplattan (9) till önskat läge (0°- 45°). Sågvinkeln (fasnivån) kan avläsas på skalan (7).
3. Dra åt bulten (7) med insexnyckeln (15). Det är

möjligt att förvara insexnyckeln på maskinen, som visas på fig. B.

Inställning av pendelfunktionen (fig. A)

Pendelfunktionen används för att ställa in hur sågbladets tändare greppar materialet. Pendelfunktionen kan ställas in i 4 lägen:

- 0 - ingen pendelverkan
- 1 - liten pendelverkan
- 2 - medelstor pendelverkan
- 3 - stor pendelverkan

Vilken pendelverkan som krävs kan bestämmas genom praktisk testning, även om följande instruktioner kan observeras:

- Mjukt material (trä, plast etc.): ställ pendeln till nivå II eller III. För ett finare och renare sågsnitt, använd pendelnivå 0 eller I.
- Tunt material, använd pendelnivå 0.
- Hårt material (stål etc.): ställ pendeln till nivå 0.
- Kurvor: ställ pendeln till nivå 0.

Instickssågning (fig. H)

Instickssågning får endast användas på mjuka material som trä, luftbetong, gipsskivor etc. Detta kräver dock en viss övning och är endast möjlig med korta sågblad.

1. Placera sågen på arbetsstycket och slå på den.
2. Se till att fotplattans nedre kant vilar på arbetsstyckets yta enligt fig. H.
3. Såga långsamt in i arbetsstycket i en vinkel, flytta sågen till ett vertikalt läge och fortsatt såga längs skärinjen.
4. Stäng av sågen och lyft av arbetsstycket när arbetet är klart.

Optimal användning

- Kläm fast arbetsstycket. Använd en spännethet för små arbetsstycken.
- Rita linjer för att definiera i vilken riktning sågbladet ska styras.
- Håll maskinen stadigt i handtaget.
- Ställ in såghastigheten.
- Ställ in geringsvinkeln.
- Slå på maskinen.
- Vänta tills maskinen har uppnått full hastighet.
- Placera sågskon mot arbetsstycket.
- Flytta långsamt maskinen längs den förritade linjen, tryck sågskon mot arbetsstycket.
- Tryck inte för hårt på maskinen. Låt maskinen göra arbetet.

- Stäng av maskinen och vänta tills maskinen står helt still innan du lägger ifrån dig den.

5. UNDERHÅLL



Stäng alltid av maskinen och ta ut batteriet från maskinen innan rengöring och underhåll.

Rengör maskinen hus regelbundet med en mjuk trasa, helst efter varje gång du använder maskinen. Se till att ventilationsöppningarna är fria från damm och smuts. Ta bort mycket ihållande smuts med en mjuk trasa fuktad med tvållösning. Använd inte lösningsmedel som bensin, alkohol, ammoniak osv. Sådana kemikalier skadar de syntetiska komponenterna.

MILJÖ



Felaktig och/eller kasserad elektrisk eller elektronisk utrustning måste lämnas in på lämpliga återvinningsstationer.

Endast för EU-länder

Kassera inte elverktyg i hushållsavfall. Enligt den europeiska riktlinjen 2012/19/EC om kasserad elektrisk och elektronisk utrustning och dess tillämpning i nationell rätt måste elverktyg som inte längre är användbara samlas in separat och kasseras på ett miljövänligt sätt.

GARANTI

VONROC-produkter är utvecklade enligt högsta kvalitetsstandard och garanteras fria från defekter i både material och utförande under den period som lagen föreskriver från och med inköpsdatumet. Om produkten skulle utveckla fel under denna period på grund av defekt material och/eller utförande, kontakta då VONROC direkt.

Följande omständigheter är undantagna från denna garanti:

- Reparationer och/eller ändringar har gjorts eller försökts utföras på maskinen av obehöriga servicecenter;
- Normalt slitage;
- Verktyget har missbrukats, använts på fel sätt eller underhållits felaktigt;
- Reservdelar som inte är original har använts.

Detta utgör den enda garantin som företaget ger antingen uttryckt eller underförstått. Det finns inga andra garantier uttryckta eller underförstådda som sträcker sig bortom detta, inklusive de underförstådda garantierna för säljbarhet och lämplighet för ett visst syfte. Under inga omständigheter ska VONROC hållas ansvarigt för indirekta skador eller följdskador. Återförsäljarnas åtgärder ska begränsas till reparation eller byte av enheter eller delar som inte uppfyller kraven.

Produkten och användarhandboken kan ändras. Specifikationerna kan ändras utan förvarning.

1. SIKKERHEDSANVISNINGER

Læs de vedlagte sikkerhedsadvarsler, de yderligere sikkerhedsadvarsler og vejledningen. Hvis sikkerhedsadvarslerne og vejledningen ikke følges, kan det resultere i elektrisk stød, brand og/eller alvorlige personskader. Gem sikkerhedsadvarslerne og vejledningen til fremtidig brug.

Følgende symboler anvendes i brugervejledningen eller på produktet:



Læs brugervejledningen.



Angiver risiko for personskade, dødsfald eller beskadigelse af værktøjet i tilfælde af manglende overholdelse af anvisningerne i denne vejledning.



Hold omkringstående, især børn og kæledyr, på en afstand af mindst 10 meter.



Bær beskyttelsesbriller.



Brug høreværn.



Bær en støvmaskebeskyttelse.



Fareområde! Hold hænderne langt væk (10 cm) fra skægeområdet, mens maskinen kører. Fare for personskade, når man kommer i kontakt med savklingen.



Advarsel om laserstråling.



Tidsforskudt miniature sikringsindsats.



Maks. temperatur 45°C.



Kast ikke batteriet ind i åben ild.



Kast ikke batteriet ned i vand.



Separat aflevering af Li-ion batteri.



Produktet er i overensstemmelse med de gældende sikkerhedsstandarder i EU-direktiverne.

GENERELLE SIKKERHEDSADVARSLER FOR ELVÆRKTØJ



ADVARSEL! Læs alle sikkerhedsadvarsler og alle anvisninger. Hvis advarslerne og vejledningen ikke følges, kan det resultere i elektrisk stød, brand og/eller alvorlige personskader.

Gem alle advarsler og instruktioner til fremtidig brug.

Udtrykket "el-værktøj" i advarslerne refererer til dit strømdrevne el-værktøj (med ledning) eller dit batteridrevne el-værktøj (uden ledning).

1) Sikkerhed på arbejdsområdet

- Hold arbejdsområdet rent og godt oplyst.** Der er risiko for ulykker på rodede eller mørke områder.
- Brug ikke el-værktøj i eksplosive atmosfærer, f.eks. i nærheden af brandfarlige væsker, gasser eller støv.** El-værktøj danner gnister, der kan antænde støv eller dampe.
- Hold børn og tilskuere væk, mens du bruger et el-værktøj.** Distractioner kan få dig til at miste kontrollen.

2) El-sikkerhed

- Stik på el-værktøj skal passe til stikkontakten. Stikket må aldrig modificeres på nogen måde. Brug ikke adapterstik med jordforbundne (jordede) el-værktøj.** Umodificerede stik og tilsvarende stikkontakter reducerer risikoen for elektrisk stød.
- Undgå kropskontakt med jordede overflader, såsom rør, radiatorer, områder og køleskabe.** Der er en øget risiko for elektrisk stød, hvis din krop er jordet.
- El-værktøjer må ikke udsættes for regn eller våde omgivelser.** Vand, der trænger ind i et el-værktøj, vil øge risikoen for elektrisk stød.
- Misbrug ikke ledningen. Brug ikke ledningen til at bære, trække eller frakoble el-værktøjet. Hold ledningen væk fra varme, olie, skarpe kanter eller dele i bevægelse.** Beskadigede eller sammenfildrede ledninger øger risikoen for elektrisk stød.
- Når du betjener et el-værktøj udendørs, skal du bruge en forlængerledning, der er velegnet til udendørs brug.** Brug af en ledning, der er velegnet til udendørs brug, reducerer risikoen for elektrisk stød.

- f) **Hvis det ikke kan undgås at bruge et maskinværktøj i et fugtigt miljø, bør du anvende en forsyning, der er beskyttet af en fejlstrømsafbryder (RCD).** Brugen af en RCD reducerer risikoen for elektrisk stød.
- 3) Personlig sikkerhed**
- a) **Vær opmærksom, se hvad du laver, og brug din sunde fornuft, når du bruger et el-værktøj. Brug ikke et el-værktøj, når du er træt eller påvirket af stoffer, alkohol eller medicin.** Et øjeblik uopmærksomhed under brug af el-værktøj kan resultere i alvorlig personskade.
- b) **Brug personligt sikkerhedsudstyr. Bær altid øjenværn.** Beskyttelsesudstyr såsom støvmaske, skridsikre sikkerhedssko, hjelm eller høreværn, der bruges til passende forhold, reducerer personskader.
- c) **Undgå utilsigtet start. Sørg for, at kontakten er slukket, før du tilslutter strømkilden og/eller batteripakken, tager maskinen op eller bærer værktøjet.** Hvis el-værktøj bæres med fingeren på kontakten, eller når el-værktøj strømføres med tændt kontakt, kan der nemt ske ulykker.
- d) **Fjern en eventuel justeringsnøgle eller skruenøgle, inden du tænder for el-værktøjet.** En skruenøgle eller en justeringsnøgle, der er fastgjort til en roterende del af el-værktøjet, kan resultere i personskade.
- e) **Ræk dig ikke for langt. Hold altid et korrekt fodfæste og balancen.** Dette giver bedre kontrol over el-værktøjet i uventede situationer.
- f) **Klæd dig korrekt. Bær ikke løst tøj eller smykker. Hold dit hår, tøj og handsker væk fra bevægelige dele.** Løst tøj, smykker eller langt hår kan sætte sig fast i bevægelige dele.
- g) **Hvis der leveres enheder til tilslutning af støvudsugnings- og opsamlingsfaciliteter, skal du sikre, at disse er tilsluttet og bliver brugt korrekt.** Brug af støvopsamling kan reducere støvrelaterede farer.
- h) **Lad ikke kendskab opnået gennem hyppig brug af værktøj lade dig blive tilbagelænet og ignorere værktøjssikkerhedsprincipper.** En skødesløs handling kan forårsage alvorlig personskade inden for en brøkdæl af et sekund.
- 4) Brug og pleje af el-værktøj**
- a) **Tving ikke el-værktøjet. Brug det korrekte el-værktøj til din opgave.** Det korrekte el-værktøj vil gøre et bedre stykke arbejde og vil være mere sikkert ved den hastighed, det var beregnet til.
- b) **Brug ikke el-værktøjet, hvis kontakten ikke tænder og slukker.** Ethvert el-værktøj, der ikke kan styres med kontakten, er farligt og skal repareres.
- c) **Tag stikket ud af strømkilden og/eller fjern batteripakken fra el-værktøjet, før du foretager justeringer, skifter tilbehør eller opbevarer el-værktøj.** Disse forebyggende sikkerhedsforanstaltninger reducerer risikoen for at starte el-værktøjet ved et uheld.
- d) **Opbevar inaktivt el-værktøj uden for børns rækkevidde, og lad ikke personer, der ikke har kendskab til el-værktøjet eller disse instruktioner, betjene el-værktøjet.** El-værktøjer er farlige i hænderne på utrænede brugere.
- e) **Vedligehold el-værktøjer. Se efter forkert justering eller binding af bevægelige dele, ødelagte dele og enhver anden tilstand, der kan påvirke el-værktøjets drift. Hvis det er beskadiget, bør du få el-værktøjet repareret før brug.** Mange ulykker forårsages af dårligt vedligeholdt el-værktøj.
- f) **Hold skæreværktøj skarpt og rent.** Korrekt vedligeholdt skæreværktøjer med skarpe skærekanter har mindre tilbøjelighed til at binde og er lettere at styre.
- g) **Brug el-værktøj, tilbehør og værktøjsbor osv. i overensstemmelse med disse instruktioner under hensyntagen til arbejdsforholdene og det arbejde, der skal udføres.** Brug af el-værktøjet til andet arbejde end det tilsigtede kan resultere i en farlig situation.
- h) **Hold håndtag og gribeblader tørre, rene og fri fra olie og fedtstof.** Glatte håndtag og gribeblader giver ikke mulighed for sikker håndtering og kontrol af værktøjet i uventede situationer.
- 5) Brug og pleje af værktøjsbatterier**
- a) **Brug kun den oplader, der er specificeret af producenten, til opladning.** En oplader, der er egnet til én type batteripakke, kan forårsage risiko for brand, når den anvendes med en anden batteripakke.
- b) **Brug kun el-værktøj med specifikt udformede batteripakker.** Brug af andre batteripakker kan resultere i risiko for personskader og brand.
- c) **Når batteripakken ikke er i brug, skal den holdes væk fra andre metalgenstande, som f.eks. papirclips, mønter, nøgler, søm, skruer eller**

andre små metalgenstande, der kan skabe en forbindelse fra den ene terminal til den anden.

Hvis batteriterminalerne kortsluttes, kan det forårsage forbrændinger eller en brand.

- d) **Ved forkert anvendelse kan der slippe væske ud af batteriet; undgå kontakt. Skyl med vand, hvis der skulle opstå kontakt ved et uheld. Søg derudover lægehjælp, hvis der kommer væske ind i øjnene.** Væske fra batteriet kan forårsage irritation eller forbrændinger.
- e) **Brug ikke en batteripakke eller et værktøj, der er beskadiget eller modificeret.** Beskadede eller modificerede batterier kan udvise uforudsigelig adfærd, hvilket resulterer i brand, eksplosion eller risiko for personskade.
- f) **Undlad at udsætte en batteripakke eller et værktøj for åben ild eller for høj temperatur.** Udsættelse for åben ild eller temperatur over 130 °C kan forårsage eksplosion. BEMÆRK Temperaturen „130 °C“ kan erstattes af temperaturen „265 °F“.
- g) **Følg alle opladningsinstruktioner, og oplad ikke batteripakken eller værktøjet uden for temperaturintervallet specificeret i instruktionerne.** Forkert opladning eller opladning ved temperaturer uden for det specificerede interval kan beskadige batteriet og øge risikoen for brand.
- 6) Service**
- a) **Lad dit el-værktøj blive servicert af en kvalificeret reparatør, der kun bruger identiske reservedele.** Dette sikrer, at maskinværktøjet fortsat er sikkert at bruge.
- b) **Foretag aldrig service på beskadigede batteripakker.** Service af batteripakker bør kun udføres af producenten eller autoriserede serviceudbydere.

SIKKERHEDSADVARSLER FOR STIKSAVE

- **Advarsel om laserstråling.** Laserklasse 2, P maks.: <1 mW, λ: 650 nm, EN 60825-1:2014. Kig ikke direkte ind i laserstrålen eller åbningen, som den kommer fra. Ret aldrig laserstrålen mod mennesker, dyr eller reflekterende overflader. Selv kort øjenkontakt kan føre til øjenskader. Undersøgelse af laserudgangsåbningen ved brug af optiske instrumenter (f.eks. forstørrelsesglas, lupper og lignende) medfører risiko for øjenskader. Overhold de nationale bestemmelser om at bruge beskyttelsesbriller, når du arbejder med en laser af klasse 2.

- **Hold fast rundt om el-værktøjet på de isolerede gribeflader, når der bliver udført arbejde, hvor skæretilbehøret muligvis kan komme i kontakt med skjulte ledninger.** Hvis skæretilbehøret kommer i kontakt med en strømførende ledning, kan det forårsage at el-værktøjets eksponerede metaldele bliver strømførende og udsætter brugeren for elektrisk stød.
- **Hold hænderne væk fra saveområdet.** Ræk ikke ind under arbejdsemnet. Kontakt med savklingen kan føre til personskader.
- **Brug kun maskinen på arbejdsemnet, når den er tændt.** Ellers er der fare for tilbageslag, når skæreværktøjet sætter sig fast i arbejdsemnet.
- **Vær opmærksom på, at bundpladen hviler sikkert på materialet under savning.** En savklinge, der sidder fast, kan blive ødelagt eller føre til tilbageslag.
- **Når skæringen er afsluttet, skal du slukke for maskinen og derefter trække savklingen ud af snittet, når den holder stille.** På denne måde kan du undgå tilbageslag og stille maskinen sikkert ned.
- **Brug kun ubeskadigede savklinger, der er i perfekt stand.** Bøjede eller stumpede savklinger kan gå i stykker, påvirke snittet negativt eller føre til tilbageslag.
- **Brems ikke savklingen ved at lægge pres på siden efter slukning.** Savklingen kan blive beskadiget, gå i stykker eller forårsage tilbageslag.
- **Brug passende detektorer til at afgøre, om der er skjulte forsyningsledninger på arbejdsområdet, eller ring til den lokale forsyningsvirksomhed for hjælp.** Kontakt med elektriske ledninger kan føre til brand og elektrisk stød. Beskadigelse af en gasledning kan føre til eksplosion. Gennemtrængning af en vandledning forårsager ejendomsskade.
- **Fastgør arbejdsemnet.** Et arbejdsemne fastgjort med fastspændingsenheder eller i en skruestik holdes mere sikkert end med hånden.
- **Vent altid, til maskinen er standset helt, inden du lægger den ned.** Værktøjsindsatsen kan sidde fast og føre til mistet kontrol over elværktøjet.
- **Brug klemmer eller en anden praktisk måde til at fastgøre og støtte arbejdsemnet på en stabil platform.** Hvis du holder arbejdsemnet i hånden eller mod din krop, bliver det ustabil og kan føre til tab af kontrol.

SIKKERHEDSADVARSLER FOR BATTERI

- a) **Åbn ikke batteriet.** Fare for kortslutning.
- b) **Beskyt batteriet mod varme, f.eks. mod kontinuerligt intenst sollys, brand, vand og fugt.** Fare for eksplosion.
- c) **I tilfælde af skade og forkert brug af batteriet, kan der blive udsendt dampe. Udluft området, og søg lægehjælp i tilfælde af klager.** Dampene kan irritere åndedrætssystemet.
- d) **Brug kun batteriet sammen med dit Vonroc-produkt.** Denne foranstaltning alene beskytter batteriet mod farlig overbelastning.
- e) **Batteriet kan blive beskadiget af spidse genstande såsom søm eller skruetrækkere eller af eksternt påført kraft.** Der kan opstå en intern kortslutning, og batteriet kan brænde, ryge, eksplodere eller bliver overophedet.

SIKKERHEDSADVARSLER FOR OPLADER

Tilsigtet brug

Oplad kun genopladelige batteripakker af type CD801AA og CD803AA med opladeren. Andre typer batterier kan sprænge og dermed forårsage personskader og beskadigelser.

- a) **Dette apparat er ikke beregnet til at blive anvendt af personer (herunder børn) med reducerede fysiske, sansemæssige eller mentale evner samt med manglende erfaring eller viden, med mindre de er under opsyn eller bliver instrueret.**
- b) **Børn skal være under opsyn, så de ikke leger med apparatet.**
- c) **Oplad ikke batterier, der ikke er genopladelige!**
- d) **Under opladningen skal batterierne befinde sig i et område med god udluftning!**

2. MASKINOPLYSNINGER

Tilsigtet brug

Maskinen er beregnet til at save træ, metal, plast, keramik, gummi osv. til enhver ønsket størrelse og i enhver ønsket form, samtidig med at bundpladen hviler fast på arbejdsemnet. Der skal altid bruges en passende savklinge.

TEKNISKE SPECIFIKATIONER




Denne vejledning er udarbejdet til forskellige sæt/varenumre. Kontroller det tilsvarende varenummer i nedenstående tabel med specifikationer for den korrekte sammensætning og indholdet af dit sæt.

Model nr.	Batterier medfølger	Opladere medfølger
JS501DC	-	-
S_JS501DC	CD801AA	CD802AA
S2_JS501DC	2 x CD801AA	CD802AA
S3_JS501DC	CD803AA	CD802AA
S4_JS501DC	CD801AA	CD802AA

Maskinoplysninger	
Nominal spænding	20 V
Hastighed uden last	0-2500/min
Savslag	25 mm
Maks. savkapacitet træ 0°	50 mm
Maks. savkapacitet stål 0°	8 mm
Vægt	1,85kg
Lydtrykniveau LPA	82,0 dB(A), K=3 dB(A)
Lydeffektniveau LWA	93,0 dB(A), K=3 dB(A)
Vibration 'savning af metalplade'	5,459 m/s ² K=1,5 m/s ²
Vibration 'savning af krydsfiner'	5,658 m/s ² K=1,5 m/s ²

Model nr.	CD801AA
Batteritype	Lithium-Ion
Spænding	20 V
Kapacitet	2,0 Ah
Anbefalet oplader	CD802AA
Vægt	0,3kg

Model nr.	CD802AA
Opladerinput	220-240 V, 50 Hz 0,4 A
Opladeroutput	21 V 2,5 A
Opladningstid 2 Ah batteri	60 minutter
Opladningstid 4 Ah batteri	120 minutter
Anbefalede batterier	CD801AA, CD803AA
Vægt	0,36kg

Model nr.	CD803AA
Batteritype	Lithium-Ion
Spænding	20 V 
Kapacitet	4,0 Ah
Anbefalet oplader	CD802AA
Vægt	0,65kg

Brug kun de følgende batterier af VONROC VPOWER 20V-batteriplatformen. Brug af andre batterier kan forårsage personskade eller beskadigelse af værktøjet.

CD801AA	20 V, 2 Ah Lithium-Ion
CD803AA	20 V, 4 Ah Lithium-Ion

Den følgende oplader kan bruges til at oplade disse batterier.

CD802AA	Hurtig oplader
---------	----------------

Batterierne af VONROC VPOWER 20V-batteriplatformen kan udskiftes med alle værktøjer af VONROC VPOWER 20V-batteriplatformen.

Vibrationsniveau

Det udsendte vibrationsniveau, der er angivet i denne brugsvejledning, er blevet målt i overensstemmelse med en standardiseret test i henhold til EN 62841.

Den kan bruges til at sammenligne et værktøj med et andet og som en indledende vurdering af eksponering for vibration, når værktøjet bruges til de nævnte anvendelser.

- Når værktøjet bruges til forskellige anvendelser, eller med forskelligt eller dårligt vedligeholdet tilbehør, kan eksponeringsniveauet øges betydeligt.
- De gange, hvor værktøjet er slukket, eller når det er tændt, men ikke bruges til opgaven på det pågældende tidspunkt, kan det reducere eksponeringsniveauet betydeligt.

Beskyt dig mod vibrationseffekterne ved at vedligeholde værktøjet og dets tilbehør, holde dine hænder varme og organisere dine arbejdsmønstre.

BESKRIVELSE

Tallene i teksten henviser til diagrammerne på side 2-4.

- Låseknop
- Tænd/sluk-kontakt
- Håndtag
- Batteri

- Knap til oplåsning af batteri
- Kontakt til pendulhandling
- Skala for skrå vinkel
- Bundpladedæksel
- Bundplade
- Styrerulle
- Laserkontakt
- Beskyttelse
- Spændearm
- Vingeskruer til parallelføring
- Sekskantnøgle
- Spændepatron
- Savklinge
- Bolt til bundplade
- Parallelføring
- Laser
- Skæremærke
- Laserjusteringsskruer
- Knap til LED-indikatorer for batteri
- LED-indikatorer for batteri
- Oplader
- LED-indikatorer for oplader

3. MONTERING



Tag batteriet ud, inden der udføres arbejde på el-værktøjet.



Batteriet skal oplades inden første brug.

Sådan sættes batteriet ind i maskinen (fig. A, G)



Sørg for, at batteriets yderside er ren og tør, inden du forbinder det til opladeren eller maskinen.

- Sæt batteriet (4) ind i maskinens base, som vist på Fig. G.
- Skub batteriet længere frem, indtil det klikker på plads.

Sådan tages batteriet ud af maskinen (fig. A, G)

- Tryk på knappen til oplåsning af batteri (5)
- Træk batteriet ud af maskinen, som vist på fig. G.

Kontrol af batteriets opladestatus (fig. I)

- Tryk kortvarigt på knappen (23) på batteriet for at kontrollere batteriets opladningsstatus.
- Batteriet har 3 lamper, der angiver opladningsniveauet. Jo flere lamper, der lyser, des mere opladning er der tilbage i batteriet.

- Når lamperne ikke lyser, betyder det, at batteriet er tomt og skal oplades med det samme.

Opladning af batteriet med opladeren (fig. I)

1. Tag batteriet (4) ud af maskinen.
2. Vend batteriet (4) på hovedet, og skub det ind i opladeren (25), som vist på fig. I.
3. Skub batteriet, indtil det er helt inde i åbningen.
4. Sæt opladerstikket i en stikkontakt, og vent et øjeblik. LED-indikatorerne på opladeren (26) lyser og viser opladerens status.

Opladeren har 2 LED-indikatorer (26), som indikerer opladningsprocessens status:

Rød LED-status	Grøn LED-status	Opladerstatus
Slukket	Slukket	Ingen strøm
Slukket	Tændt	Standby-tilstand: - Intet batteri isat, eller - Batteri isat, men opladning er afsluttet
Tændt	Slukket	Batteriopladning i gang

- Det kan tage op til 60 minutter at lade 2 Ah batteriet helt op.
- Det kan tage op til 120 minutter at lade 4 Ah batteriet helt op.

Når batteriet er ladet helt op, skal du tage opladerens stik ud af kontakten og fjerne batteriet fra opladeren.



Når maskinen ikke bruges gennem en længere periode, er det bedst at opbevare batteriet i opladet tilstand.

Udskiftning af savklingen (fig. A, C)



Bær beskyttelsehandsker ved montering af savklingen. Fare for personskade, når savklingen berøres.



Brug kun savklinger, der stemmer overens med de karakteristiske data, der er angivet i brugsanvisningerne.

Montering af savklingen



Sørg for, at klingeholderen er fri for materiale-rester (f.eks. træ- eller metalsplinter).

1. Drej spændearmen (13) så langt til venstre som muligt, og hold den i denne position.
2. Indsæt savklingen i spændepatronen (16). Kontroller, at savklingen sidder godt fast, og at tænderne peger i skæreretningen.
3. Slip spændearmen. Kontroller, om savklingens bagside er placeret i midten af styrerullen (10).

Sørg for at bruge den rette savklinge til det tilsvarende materiale. Med maskinen følger der en grov savklinge til træ og en fin savklinge til metal og plast.

Fjernelse af savklingen

1. Drej spændearmen (13) så langt til venstre som muligt, og hold den i denne position.
2. Fjern savklingen fra spændepatronen (16).
3. Slip spændearmen.

Påmontering af parallelføringen (fig. D)

1. Løsn vingeskruerne (14).
2. Monter parallelføringen (19) på bundpladen (9).
3. Indstil den ønskede skærebredde ved hjælp af skalaen på parallelføringen (14) og skæremærket på bundpladen (20). Skæremærket (20) indikerer positionen af savklingen.
4. Stram vingeskruen (14).

4. BETJENING

Sådan tændes/slukkes maskinen (fig. A)

Tænd/sluk-kontakten (2) bruges til at aktivere maskinen og justere hastigheden.

- Start maskinen ved at trykke og holde på låseknappen (1) og trykke på tænd/sluk-kontakten (2).
- Jo længere tænd/sluk-kontakten (2) trykkes, des hurtigere bevæger klingen sig. De påkrævede hastigheder afhænger af materialet og kan afgøres gennem praktisk test.
- Stop maskinen ved at slippe tænd/sluk-kontakten (2).

Tænd/sluk laseren (fig. A)

- Tryk på laserkontakten (11) for at tænde eller slukke for laseren. Laserkontakten (11) tænder også for LED-arbejdslyset.

Finjustering af laseren

Bemærk: For at teste laserfunktionen skal batteriet indsættes i elværktøjet.



Aktiver aldrig tænd/sluk-kontakten, mens du justerer laseren. Utilsigtet start af elværktøjet kan føre til personskader.

Hvis laseren (11) stopper med at indikere den rigtige skærelinje, kan du genjustere laseren. For at gøre dette skal du justere laserjusteringsskruen (22) og indstille laseren, indtil den indikerer en korrekt skærelinje.

Justering af smigvinklen (fig. B, F)

1. Løsn bolten (18) ved hjælp af sekskantnøglen (15).
2. Juster bundpladen (9) til den ønskede position (0°- 45°). Savvinklen (smig) kan læses på skalaen (7).
3. Stram bolten (7) ved hjælp af sekskantnøglen (15). Sekskantnøglen kan opbevares på maskinen, som vist på fig. B.

Justering af pendulhandlingen (fig. A)

Kontakten til pendulhandlingen bruges til at indstille den måde, savklingsens tænder griber fat i materialet. Kontakten til pendulhandling kan indstilles i 4 positioner:

0 - Ingen pendulhandling

1 - Lille pendulhandling

2 - Mellemstor pendulhandling

3 - Stor pendulhandling

Den nødvendige pendulhandling kan bestemmes gennem en praktisk test, selvom følgende instruktioner kan følges:

- Blødt materiale (træ, plast osv.): Indstil pendulet til niveau II eller III. For et finere og renere savsnit skal du bruge pendulniveau 0 eller I.
- Tyndt materiale, brug pendul niveau 0.
- Hårdt materiale (stål osv.): Indstil pendulet til niveau 0.
- Kurver: indstil pendul til niveau 0.

Dyksavning (fig. H)

Dyksavning må kun bruges på bløde materialer som træ, luftindblandet beton, gipsplader osv. Dette kræver dog en vis praksis og kan kun lade sig gøre med korte savklinger.

1. Placer saven på arbejdsemnet og tænd den.
2. Sørg for, at fodpladens nederste kant hviler på arbejdsemnets overflade som vist på fig. H.
3. Sav langsomt ind i arbejdsemnet ved en vinkel ved at flytte saven til en lodret position og fortsætte med at save langs skærelinjen.
4. Sluk for saven, og løft arbejdsemnet, når arbejdet er afsluttet.

Optimal brug

- Fastspænd arbejdsemnet. Brug en fastspændingsenhed til små arbejdsstykker.
- Tegn en linje for at definere den retning, savklingen skal føres i.
- Hold maskinen godt fast i grebet.
- Indstil savhastigheden.
- Indstil geringsvinklen.
- Tænd for maskinen.
- Vent, til maskinen har nået fuld hastighed.
- Placer savskoen på arbejdsemnet.
- Bevæg maskinen langs den forhåndstegnede linje, og tryk savskoen fast mod arbejdsemnet.
- Påfør ikke for meget tryk på maskinen. Lad maskinen gøre arbejdet.
- Sluk for maskinen, og vent på, at den standser helt, inden du lægger maskinen fra dig.

5. VEDLIGEHOLDELSE



Før rengøring og vedligeholdelse skal du altid slukke for maskinen og fjerne batteripakken fra maskinen.

Rengør maskinbeklædningerne regelmæssigt med en blød klud, helst efter hver anvendelse. Sørg for, at der ikke er støv eller snavs i ventilationsåbningerne. Fjern snavs, der sidder meget godt fast, med en blød klud, der er fugtet i sæbevand. Brug ikke opløsningsmidler, som f.eks. benzin, sprit, ammoniak osv. Kemikalier som disse beskadiger de syntetiske komponenter.

MILJØ



Defekte og/eller bortskaffede elektriske og elektroniske apparater skal afleveres på en passende genbrugsstation.

Kun for lande i EU

Maskinværktøj må ikke bortskaffes sammen med husholdningsaffald. Ifølge EC-direktiv 2012/19/EU

om affald af elektrisk og elektronisk udstyr og dets gennemførelse i den nationale lovgivning skal maskinværktøjer, der ikke længere anvendes, afleveres separat og bortskaffes på en miljøvenlig måde.

GARANTI

VONROC-produkter er udviklet til de højeste kvalitetsstandarder og er garanteret fri for defekter i både materialer og udførelse i den periode, der er retsligt angivet fra datoen for det originale køb. Hvis produktet skulle udvikle fejl i denne periode på grund af defekt materiale og/eller udførelse, bedes du kontakte VONROC direkte.

Følgende omstændigheder er udelukket fra denne garanti:

- Uautoriserede servicecentre har foretaget eller gjort forsøg på at foretage reparationer og/eller ændringer på maskinen;
- Normal slitage;
- Værktøjet er blevet misbrugt, brugt forkert eller ikke passende vedligeholdt;
- Der er anvendt ikke-originale reservedele.

Dette udgør den eneste garanti, virksomheden har givet, enten udtrykt eller underforstået. Der er ingen andre garantier, udtrykt eller underforstået, som strækker sig ud over denne, herunder de underforståede garantier for salgbarhed og egnethed til et bestemt formål. Under ingen omstændigheder skal VONROC holdes ansvarlig for tilfældige skader eller følgeskader. Forhandlerens retsmidler skal være begrænset til reparation eller udskiftning af enheder eller dele, der ikke overholder kravene.

Produktet og brugervejledningen er genstand for ændringer. Specifikationer kan ændres uden yderligere varsel.

1. INSTRUKCJE BEZPIECZEŃSTWA

Przeczytać dołączone ostrzeżenia dotyczące bezpieczeństwa, dodatkowe ostrzeżenia dotyczące bezpieczeństwa oraz instrukcje. Nieprzestrzeganie ostrzeżeń dotyczących bezpieczeństwa oraz instrukcji może prowadzić do porażenia prądem, pożaru i/lub poważnych obrażeń ciała. Zachować ostrzeżenia dotyczące bezpieczeństwa oraz instrukcje na przyszłość.

Następujące symbole są umieszczone w instrukcji obsługi lub na produkcie:



Przeczytać instrukcję obsługi.



Oznacza ryzyko obrażeń ciała, śmierci lub uszkodzenia narzędzia w razie nieprzestrzegania poleceń z instrukcji.



Osoby postronne, zwłaszcza dzieci, oraz zwierzęta powinny się znajdować w odległości większej niż 10 metrów od maszyny.



Korzystaj ze środków ochrony wzroku.



Korzystaj ze środków ochrony słuchu.



Noś maskę przeciwpyłową.



Obszar niebezpieczny! Trzymać dłoń z dala (10 cm) od obszaru cięcia podczas pracy maszyny. Ryzyko obrażeń ciała w wyniku zetknięcia się z brzeszczotem.



Ostrzeżenie przed promieniowaniem laserowym.



Miniaturowy topik z opóźnieniem czasowym



Maks. temperatura 45° C.



Nie wrzucać akumulatora do ognia



Nie wrzucać akumulatora do wody



Zbiórka selektywna akumulatora litowo jonowego.



Produkt spełnia wymogi odpowiednich norm bezpieczeństwa podanych w dyrektywach UE.

OGÓLNE ZALECENIA DOTYCZĄCE BEZPIECZEŃSTWA



UWAGA! *Przeczytać wszystkie ostrzeżenia dotyczące bezpieczeństwa i wszystkie instrukcje. Nieprzestrzeganie wszystkich poniższych instrukcji może być przyczyną porażenia prądem, pożaru i/lub poważnych obrażeń.*

Zachowaj poniższe instrukcje.

Termin „elektronarzędzia akumulatorowe” we wszystkich ostrzeżeniach zamieszczonych poniżej odnosi się do elektronarzędzi akumulatorowych zasilanych sieciowo (przewodowych) lub elektronarzędzi akumulatorowych działających na baterie (bezprowadowych).

1) Obszar roboczy

- a) **Obszar roboczy należy utrzymywać w czystości.** Powinien on być dobrze oświetlony. Nieład i złe oświetlenie mogą z łatwością doprowadzić do wypadku.
- b) **Nie korzystaj z elektronarzędzi akumulatorowych w warunkach, w których łatwo może dojść do wybuchu, np. w obecności łatwopalnych cieczy, gazów lub pyłu.** Podczas pracy elektronarzędzi akumulatorowych powstają iskry, które mogą doprowadzić do zapłonu pyłu lub oparów.
- c) **Dzieci i inne osoby postronne powinny pozostać w bezpiecznej odległości od pracującego urządzenia.** Rozproszenie uwagi może spowodować utratę kontroli nad urządzeniem.

2) Bezpieczeństwo związane z elektrycznością

- a) **Wtyczki elektronarzędzi akumulatorowych muszą być odpowiednie do danego gniazda. Pod żadnym pozorem nie należy modyfikować wtyczki w jakikolwiek sposób. Nie należy używać adapterów, które uziemiają elektronarzędzia akumulatorowe.** Stosowanie wtyczek nie poddanych modyfikacjom oraz odpowiednich gniazd zmniejsza ryzyko porażenia prądem.
- b) **Należy unikać bezpośredniego kontaktu fizycznego z powierzchniami uziemionymi, takimi jak rury, grzejniki, kuchenki, lodówki.** Ryzyko porażenia prądem jest większe, jeśli ciało osoby obsługującej urządzenie jest uziemione.
- c) **Nie należy wystawiać elektronarzędzi akumulatorowych na działanie deszczu lub wilgoci.** Dostanie się wody do wnętrza elektronarzędzia akumulatorowego zwiększy ryzyko porażenia prądem.

- d) **Nie należy używać przewodu w niewłaściwy sposób. Pod żadnym pozorem nie należy wykorzystywać przewodu do przeniesienia lub ciągnięcia elektronarzędzia akumulatorowego, ani do jego odłączania od sieci. Przewodu nie należy wystawiać na działanie ciepła, smarów. Powinien on znajdować się w bezpiecznej odległości od ostrych krawędzi i części ruchomych.** Przewody uszkodzone lub poplątane zwiększają ryzyko porażenia prądem.
- e) **Podczas korzystania z elektronarzędzia akumulatorowego na wolnym powietrzu, należy używać przewodu przedłużacza przystosowanego do użytku na zewnątrz.** Używanie przewodu nadającego się do użytku na wolnym powietrzu zmniejsza ryzyko porażenia prądem.
- f) **Jeśli obsługa elektronarzędzia w wilgotnym miejscu jest nieunikniona, użyć zasilania wyposażonego w wyłącznik różnicowo-prądowy.** Użycie wyłącznika różnicowo-prądowego zmniejsza ryzyko porażenia prądem.

3) Bezpieczeństwo osoby obsługującej urządzenie

- a) **Przez cały czas należy mieć się na baczności, uważać na to, co się robi, a w czasie obsługi elektronarzędzia akumulatorowego postępować mając na uwadze zdrowy rozsądek. Urządzenia nie powinny obsługiwać osoby zmęczone lub będące pod wpływem narkotyków, alkoholu lub leków.** Chwila nieuwagi w czasie obsługi elektronarzędzi akumulatorowych może być przyczyną powstania poważnych obrażeń ciała.
- b) **Należy korzystać ze sprzętu ochronnego oraz zawsze nosić okulary ochronne.** Sprzęt ochronny, jak na przykład maska przeciwpyłowa, antypoślizgowe obuwie ochronne, kask lub słuchawki ochronne używany we właściwych sytuacjach pozwoli na zmniejszenie ryzyka obrażeń ciała.
- c) **Unikać niezamierzonego uruchomienia. Przed podłączeniem urządzenia do sieci, zawsze sprawdzić, czy przełącznik znajduje się w pozycji „wyłączony”.** Przenoszenie elektronarzędzi z palcem na przełączniku lub włączonych elektronarzędzi z przełącznikiem w położeniu włączenia jest bardzo niebezpieczne i może powodować wypadki.
- d) **Przed włączeniem elektronarzędzia akumulatorowego należy usunąć z niego wszystkie klucze nastawcze lub maszynowe.** Pozostawienie klucza zamocowanego na jednej z części obrotowych urządzenia może spowodować

powstanie obrażeń ciała.

- e) **Nie należy sięgać ponad urządzeniem. Przez cały czas należy zachować odpowiednią równowagę i zapewnić odpowiednie oparcie dla stóp.** Pozwoli to na lepsze kontrolowanie urządzenia w nieoczekiwanych sytuacjach.
 - f) **Należy nosić odpowiednie ubranie. Do pracy z urządzeniem nie wkładać luźnych ubrań ani biżuterii. Włosy, ubranie i rękawiczki trzymać z dala od części ruchomych.** Luźne części ubrania, biżuteria lub długie włosy mogą zostać wciągnięte przez części ruchome.
 - g) **Jeśli w urządzeniu przewidziano elementy służące do odprowadzania i zbierania pyłu, należy sprawdzić, czy są podłączone, i czy działają we właściwy sposób.** Korzystanie z tego typu elementów pozwala ograniczyć ryzyko związane z wydzielaniem pyłu podczas pracy urządzenia.
 - h) **Nie zezwalać na to, aby rutyna związana z częstym korzystaniem z narzędzi powodowała nadmierne pewność siebie i ignorowanie zasad bezpiecznego korzystania z narzędzi.** Nieodpowiedzialne działanie może spowodować poważne obrażenia ciała w ułamku sekundy.
- 4) Obsługa i konserwacja elektronarzędzi akumulatorowych**
- a) **Urządzenia nie należy przeciążać. Należy korzystać z narzędzia odpowiedniego do danego typu pracy.** Odpowiednio dobrane urządzenie pozwoli na lepsze i bezpieczniejsze wykonanie pracy, we właściwym dla urządzenia tempie.
 - b) **Z elektronarzędzia akumulatorowego nie należy korzystać, jeśli nie można go włączyć i wyłączyć przy pomocy przełącznika.** Urządzenie, którego nie można kontrolować używając przełącznika jest niebezpieczne i powinno być oddane do naprawy.
 - c) **Przed przystąpieniem do regulowania elektronarzędzi akumulatorowych, wymiany akcesoriów lub przygotowywania urządzeń do okresu przechowywania, należy odłączyć wtyczkę od źródła zasilania.** Tego typu środki ostrożności zmniejszają ryzyko przypadkowego uruchomienia urządzenia.
 - d) **Nieczynne elektronarzędzia akumulatorowe należy przechowywać poza zasięgiem dzieci. Nie należy pozwolić, aby osoby nie znające urządzenia lub niniejszych instrukcji obsługiwały urządzenie.** Elektronarzędzia akumulatorowe w rękach niekompetentnych użytkowników stanowią zagrożenie.
 - e) **Elektronarzędzia akumulatorowe należy utrzymywać w dobrym stanie technicznym. Należy**

sprawdzać, czy części ruchome są właściwie założone, i czy się nie zacinają. Należy również sprawdzić, czy jakieś części nie są uszkodzone oraz sprawdzać wszelkie inne elementy, które mogą wpłynąć na pracę urządzeń. Jeśli urządzenie jest uszkodzone, przed przystąpieniem do jego użytkowania, należy je naprawić. Częstą przyczyną wypadków jest zły stan techniczny urządzeń.

- f) **Narzędzia służące do cięcia powinny być naostrzone i utrzymywane w czystości.** Jeśli narzędzia służące do cięcia, które posiadają ostre krawędzie tnące, są właściwie konserwowane, istnieje mniejsze prawdopodobieństwo ich zacinania się. Ponadto, łatwiej je kontrolować.
 - g) **Elektronarzędzia akumulatorowego, akcesoriów, nakładek, itp. należy używać zgodnie z niniejszymi instrukcjami oraz w sposób właściwy dla danego rodzaju urządzenia, z u wzięciem warunków pracy oraz jej rodzaju.** Używanie urządzenia niezgodnie z przeznaczeniem może prowadzić do powstania sytuacji niebezpiecznych.
 - h) **Uchwyty należy utrzymywać w stanie suchym, czystym i niezabrudzonym olejem lub smarem.** Śliskie uchwyty i powierzchnie do chwytania nie pozwalają na bezpieczne obchodzenie się z narzędziem i panowanie nad nim w nieoczekiwanych sytuacjach.
- 5) Użytkowanie i konserwacja urządzenia zasilanego akumulatorami**
- a) **Ładować tylko przy użyciu ładowarki określonej przez producenta.** Ładowarka przewidziana dla jednego rodzaju akumulatorów stwarza ryzyko pożaru w przypadku użycia jej z innym zestawem akumulatorów.
 - b) **Należy używać jedynie akumulatorów przeznaczonych dla danego urządzenia.** Użycie innych akumulatorów stwarza ryzyko wystąpienia obrażeń ciała lub pożaru.
 - c) **Kiedy akumulatorki nie są używane, należy przechowywać je z dala od przedmiotów metalowych, takich jak spinacze do papieru, monety, klucze, gwoździe, śruby lub inne niewielkie przedmioty metalowe, które mogłyby spowodować zwarcie pomiędzy stykami.** Zwarcie styków akumulatora może spowodować pożar.
 - d) **W przypadku przeciążenia z akumulatora może wycieknąć płyn; nie należy go dotykać. W razie przypadkowego kontaktu przemyć skórę wodą. W przypadku dostania się płynu do oczu należy skontaktować się z lekarzem.** Płyn z akumulator-

- ka może powodować podrażnienia lub oparzenia.
- e) **Nie używać uszkodzonego ani zmodyfikowanego akumulatora lub narzędzia.** Uszkodzone lub zmodyfikowane akumulatory mogą działać w sposób nieoczekiwany, co może powodować pożar, wybuch lub ryzyko obrażeń ciała.
- f) **Nie wystawiać akumulatora ani narzędzia na działanie płomienia lub zbyt wysokiej temperatury.** Narażenie na działanie płomienia lub temperatury powyżej 130°C może spowodować wybuch. UWAGA Temperaturę „130 °C“ można zastąpić temperaturą „265 °F“.
- g) **Przestrzegać wszystkich instrukcji ładowania i nie ładować akumulatora ani narzędzia poza zakresem temperatury podanym w instrukcji.** Nieprawidłowe ładowanie lub ładowanie w temperaturze poza podanym zakresem może spowodować uszkodzenie akumulatora i zwiększyć ryzyko pożaru.

6) Serwis

- a) **Zlecać serwisowanie elektronarzędzie wykwalifikowanemu technikowi stosującymi jedynie części zamienne identyczne z oryginalnymi.** Zapewni to zachowanie bezpieczeństwa elektronarzędzia.
- b) **Nigdy nie serwisować uszkodzonych akumulatorów.** Serwisowanie akumulatorów może przeprowadzać wyłącznie producent lub autoryzowany serwis.

OSTRZEŻENIA DOTYCZĄCE BEZPIECZEŃSTWA DLA WYRZYNAK WAHADŁOWYCH

- **Ostrzeżenie przed promieniowaniem laserowym.** Laser klasy 2, P maks.: <1 mW, λ: 650 nm, EN 60825-1:2014. Nie patrzeć bezpośrednio w wiązkę lasera ani w otwór, przez który jest emitowana. Nigdy nie kierować lasera na ludzi, zwierzęta lub powierzchnie odbijające światło. Nawet krótka styczność z okiem może powodować uszkodzenie wzroku. Badanie otworu, przez który emitowana jest wiązka z użyciem przyrządów optycznych (np. szkła powiększającego itp.) niesie ryzyko uszkodzenia wzroku. Podczas pracy laserem klasy 2 przestrzegać przepisów krajowych dotyczących korzystania z ochrony wzroku.
- **Trzymać elektronarzędzie tylko za izolowane powierzchnie do chwytania podczas wykonywania prac, podczas których akcesorium tnące może zetknąć się z ukrytym okablowaniem.** Zetknięcie się osprzętu tnącego z przewodem pod napięciem może sprawić, że odstłonięte metalowe

- części narzędzia również będą pod napięciem i spowodować porażenie operatora prądem.
- **Trzymać dłonie z dala od zakresu pracy brzeszczota.** Nie sięgać pod obrabiany element. Kontakt z brzeszczotem może prowadzić do obrażeń ciała.
 - **Przykładać maszynę do obrabianego elementu tylko wtedy, gdy jest włączona.** W przeciwnym razie istnieje ryzyko odrzucenia maszyny po utknięciu brzeszczota w obrabiany element.
 - **Uważać, aby płyta podstawy spoczywała pewnie na materiale podczas piłowania.** Zablokowany brzeszczot może pęknąć lub spowodować odskoczenie narzędzia.
 - **Po zakończeniu piłowania wyłączyć maszynę, a następnie wyjąć brzeszczot z cięcia, dopiero gdy się zatrzyma.** W ten sposób można uniknąć odrzutu i bezpiecznie odłożyć maszynę.
 - **Używać wyłącznie nieuszkodzonych brzeszczotów w idealnym stanie.** Zgięte lub stępione brzeszczoty mogą pękać, negatywnie wpływać na jakość cięcia lub prowadzić do odrzutu.
 - **Nie hamować brzeszczota do zatrzymania poprzez naciskanie na brzeszczot z boku po wyłączeniu.** Brzeszczot może ulec uszkodzeniu, pęknąć lub spowodować odrzut.
 - **Użyć odpowiednich detektorów do sprawdzenia, czy w miejscu pracy nie znajdują się ukryte kable elektryczne/rury wodne/gazowe lub skontaktować się z lokalnym dostawcą energii/wody/gazu w celu uzyskania pomocy.** Kontakt z kablem elektrycznym może prowadzić do pożaru i porażenia prądem. Uszkodzenie rury z gazem może prowadzić do wybuchu. Przebicie rury z wodą spowoduje uszkodzenie mienia.
 - **Zamocować obrabiany element.** Obrabiany element zaciśnięty zaciskami lub w imadle jest zamocowany mocniej niż trzymany ręką.
 - **Przed odłożeniem maszyny zawsze poczekać na jej całkowite zatrzymanie.** Końcówka narzędziowa może utknąć i doprowadzić do utraty panowania nad elektronarzędziem.
 - **Użyć zacisków lub innego praktycznego sposobu do przymocowania obrabianego elementu do stabilnego podłoża i jego podparcia.** Trzymanie obrabianego elementu ręką lub opieranie go o ciało powoduje jego niestabilność, co może prowadzić do utraty panowania nad narzędziem.

OSTRZEŻENIA DOTYCZĄCE AKUMULATORA

- a) **Nie otwierać akumulatora.** Ryzyko zwarcia.
- b) **Chronić akumulator przed gorącem, np. dług-**

otrwałym silnym nasłonecznieniem, ogniem, wodą i wilgocią. Ryzyko wybuchu.

- c) **W razie uszkodzenia i błędnego użytkowania akumulatora, może dojść do emisji oparów. Przewietrzyc miejsce emisji i uzyskać pomoc lekarską w razie dolegliwości.** Opary mogą powodować podrażnienie układu oddechowego.
- d) **Używać akumulatora wyłącznie w połączeniu z produktem marki Vonroc.** Takie postępowanie chroni akumulator przed niebezpiecznym przeciążeniem.
- e) **Akumulator może zostać uszkodzony przez ostro zakończone przedmioty, jak gwoździe lub wkrętaki, albo przez uderzenie z zewnątrz.** Może dojść do wewnętrznego zwarcia i akumulator może zacząć się palić, dymić, wybuchnąć lub przegrzać się.

OSTRZEŻENIA DOTYCZĄCE ŁADOWARKI

Przeznaczenie

Za pomocą ładowarki ładować wyłącznie akumulatory typu CD801AA i CD803AA. Baterie mogą pękać, powodując obrażenia ciała i uszkodzenia mienia.

- a) **Urządzenie nie jest przeznaczone do użytku przez osoby (w tym dzieci) o ograniczonych zdolnościach fizycznych, czuciowych lub umysłowych albo nie posiadające doświadczenia i wiedzy, chyba że zostały one odpowiednio poinstruowane i są pod nadzorem.**
- b) **Dzieciom nie wolno pozwalać bawić się urządzeniem.**
- c) **Nie ładować zwykłych baterii!**
- d) **Podczas ładowania akumulatory muszą znajdować się w dobrze wentylowanym miejscu!**

2. INFORMACJE O MASZYNIE

Przeznaczenie

Maszyna jest przeznaczona do wycinania drewna, metalu, tworzyw sztucznych, ceramiki, gumy itp. w dowolny wybrany kształt i w dowolnym rozmiarze. Podczas wycinania płyta podstawy musi spoczywać na obrabianym elemencie. Należy zawsze używać właściwego brzeszczota.

DANE TECHNICZNE



Niniejsza instrukcja dotyczy różnych zestawów/numerów artykułów. Sprawdzić odpowiedni numer artykułu w poniższej tabeli, aby uzyskać informacje na temat zawartości zestawu.

Nr modelu	Baterie w komplecie	Ładowarka w komplecie
JS501DC	-	-
S_JS501DC	CD801AA	CD802AA
S2_JS501DC	2 x CD801AA	CD802AA
S3_JS501DC	CD803AA	CD802AA
S4_JS501DC	CD801AA	CD802AA

Informacje o maszynie	
Napięcie znamionowe	20V
Obroty bez obciążenia	0-2500/min
Skok piły	25mm
Maks. głębokość piłowania drewna 0°	50mm
Maks. głębokość piłowania stali 0°	8mm
Ciężar	1,85 kg
Ciężenie akustyczne LPA	82,0 dB(A), K=3dB(A)
Moc akustyczna LWA	93,0 dB(A), K=3dB(A)
Drgania „piłowanie blachy”	5,459 m/s2 K=1,5 m/s2
Drgania „piłowanie sklejki”	5,658 m/s2 K=1,5 m/s2

Nr modelu	CD801AA
Typ akumulatora	Litowo-jonowy
Napięcie	20V
Pojemność	2.0 Ah
Zalecana ładowarka	CD802AA
Ciężar	0.3 kg

Nr modelu	CD802AA
Parametry wejściowe ładowarki	220-240V, 50Hz 0.4A
Parametry wyjściowe ładowarki	21V 2.5A
Czas ładowania akumulatora 2 Ah	60 minutes
Czas ładowania akumulatora 4 Ah	120 minutes
Recommended batteries	CD801AA, CD803AA
Ciezar	0.36 kg

Nr modelu	CD803AA
Typ akumulatora	Litowo-jonowy
Napięcie	20V

Pojemność	4,0 Ah
Zalecana ładowarka	CD802AA
Ciężar	0,65 kg

Akumulatory należące do platformy VONROC POWER 20 V można stosować we wszystkich narzędziach z platformy VONROC POWER 20 V.
 CD801AA 20V, 2Ah Litowo-jonowy
 CD803AA 20V, 4Ah Litowo-jonowy

Następującej ładowarki można używać do ładowania tych akumulatorów.

CD802AA Szybka ładowarka

Akumulatory należące do platformy VONROC POWER 20 V można stosować we wszystkich narzędziach z platformy VONROC POWER 20 V.

Poziom drgań

Poziom emisji drgań podany w tej instrukcji obsługi został zmierzony zgodnie ze standaryzowanym testem podanym w normie EN 62841; może on służyć do porównywania narzędzi ze sobą oraz do wstępnego oszacowania ekspozycji na drgania podczas użytkowania narzędzia do podanych zastosowań

- używanie narzędzia do innych zastosowań lub z innymi lub źle konserwowanymi akcesoriami może znacząco zwiększać poziom ekspozycji
- okresy, gdy narzędzie jest wyłączone lub okresy, gdy jest włączone, ale nie pracuje, mogą znacząco zmniejszać poziom ekspozycji

Chronić się przed wpływem drgań, konserwując odpowiednio narzędzie i akcesoria, utrzymując ciepłotę dłoni oraz odpowiednio organizując pracę.

OPIS

Liczby w tekście odnoszą się do rysunków na Stronach 2-4

1. Przycisk wyłączania blokady
2. Włącznik
3. Uchwyt
4. Akumulator
5. Przycisk odblokowania akumulatora
6. Przełącznik trybu wahadłowego
7. Podziałka kąta cięcia ukośnego wzdłużnego
8. Pokrywa płyty podstawy
9. Płyta podstawy
10. Rolka prowadząca
11. Włącznik lasera

12. Osłona
13. Dźwignia zaciskająca
14. Śruba motylkowa przewodnicy równoległej
15. Kluczek imbusowy
16. Uchwyt
17. Tarcza
18. Śruba płyty podstawy
19. Prowadnica równoległa
20. Laser
21. Oznaczenie cięcia
22. Śruba regulacji lasera
23. Przycisk diod LED akumulatora
24. Diody LED akumulatora
25. Ładowarka
26. Diody LED ładowarki

3. MONTAŻ



Przed rozpoczęciem jakichkolwiek prac dotyczących elektronarzędzia, wyjąć akumulator.



Zawsze wyjmować akumulator przed zamocowaniem akcesorium

Wkładanie akumulatora do narzędzia (Rys. A, G)



Dopilnować, aby zewnętrzna powierzchnia akumulatora była czysta i sucha przed podłączeniem do ładowarki lub narzędzia.

1. Włożyć akumulator (4) w podstawę narzędzia, zgodnie z Rys. G.
2. Wcisnąć akumulator dalej, aż zatrzaśnie się w poprawnym położeniu.

Wymywanie akumulatora z narzędzia (Rys. A, G)

1. Wcisnąć przyciski odblokowania akumulatora (5)
2. Wyjąć akumulator z narzędzia zgodnie z Rys. G

Sprawdzanie stanu naładowania akumulatora (Rys. I)

- Aby sprawdzić stan naładowania akumulatora, wcisnąć przycisk (23) na akumulatorze na chwilę.
- Akumulator ma 3 diody informujące o poziomie naładowania. Im więcej świeci diod, tym wyższy poziom naładowania akumulatora.
- Jeśli diody nie świecą, oznacza to, że akumulator jest rozładowany i wymaga niezwłocznego naładowania.

Ładowanie akumulatora (ładowarką) (Rys. I)

1. Wyjąć akumulator (4) z narzędzia.

2. Ustawić akumulator (4) spodem do góry i wsunąć go na ładowarkę (25) zgodnie z Rys. A.
3. Wcisnąć akumulator do oporu do gniazda.
4. Podłączyć ładowarkę do gniazda i poczekać chwilę. Dioda LED na Akumulator (26) zaświeci się, informując o stanie ładowania.

Akumulator jest wyposażona w 2 diodę LED (26), informującą o stanie procesu ładowania:

Stan czerwonej diody LED	Stan zielonej diody LED	Stan ładowarki
Wył.	Wył.	Brak zasilania
Wył.	Wł.	Tryb gotowości: - Nie włożono akumulatora lub - Włożono akumulator, ale ładowanie zostało zakończone
Wł.	Wył.	Ładowanie akumulatora w toku

- Całkowite naładowanie akumulatora 2Ah może trwać do 60 minut.
- Całkowite naładowanie akumulatora 4Ah może trwać do 120 minut.

Po całkowitym naładowaniu akumulatora wyjąć wtyczkę ładowarki z gniazda i wyjąć akumulator z ładowarki.



Kiedy narzędzie nie jest używane przez długi okres, najlepiej przechowywać akumulator w stanie naładowanym.

Wymiana tarczy (Rys. A, C)



Podczas montażu tarczy nosić rękawice ochronne. Ryzyko obrażeń ciała w wyniku dotknięcia tarczy pilarki.



Używać wyłącznie tarcz zgodnych z danymi technicznymi podanymi w instrukcji.

Montaż brzeszczota



Dopilnować, aby uchwyt brzeszczota był wolny od resztek materiału (np. drewnianych lub metalowych wiórów)

1. Obrócić dźwignię zaciskającą (13) do oporu w lewo i zatrzymać ją w tym położeniu.
2. Włożyć brzeszczot w uchwyt (16). Sprawdzić,

czy brzeszczot jest mocno zamocowany i jego zęby są skierowane w kierunku cięcia.

3. Puścić dźwignię zaciskającą. Sprawdzić, czy tył brzeszczota jest umieszczony pośrodku rolki prowadzącej (10).

Dopilnować stosowania brzeszczota dopasowanego do obrabianego materiału. Do maszyny dołączony jest brzeszczot do drewna z dużymi zębami i brzeszczot do metalu i tworzyw sztucznych z małymi zębami.

Zdejmowanie brzeszczota

1. Obrócić dźwignię zaciskającą (13) do oporu w lewo i zatrzymać ją w tym położeniu.
2. Wyjąć brzeszczot z uchwytu (16).
3. Puść pierścień zaciskający

Montaż prowadnicy równoległej (Rys. D)

1. Poluzować śruby motylkowe (14).
2. Zamontować prowadnicę równoległą (19) na płycie podstawy (9).
3. Ustawić żądaną szerokość cięcia z użyciem podziałki na prowadnicy równoległej (14) i oznaczenia cięcia na płycie podstawy (20). Oznaczenie cięcia (20) oznacza położenie brzeszczota.
4. Dokręcić śrubę motylkową (14).

4. OBSŁUGA

Włączanie i wyłączanie narzędzia (Rys. A)

Włącznik (2) służy do włączania narzędzia i regulacji prędkości.

- Aby włączyć maszynę, wcisnąć i przytrzymać przycisk wyłączania blokady (1) i wcisnąć włącznik (2).
- Im dalej włącznik (2) jest wciśnięty, tym szybciej porusza się brzeszczot. Wymagana prędkość zależy od materiału i można ją stwierdzić, wykonując testy praktyczne.
- Aby zatrzymać maszynę, zwolnić włącznik (2).

Włączanie i wyłączanie lasera (Rys. A)

- Wcisnąć włącznik lasera (11), aby włączyć lub wyłączyć laser. Włącznik lasera (11) włącza również światło robocze LED.

Precyzyjna regulacja lasera

Uwaga: Przetestowanie funkcji lasera wymaga włożenia baterii do elektronarzędzia.



Podczas regulacji lasera nigdy nie używać włącznika. Przypadkowe uruchomienie elektronarzędzia może prowadzić do obrażeń ciała.

Jeśli laser (11) przestanie pokazywać prawidłową linię cięcia, można go wyregulować. W tym celu obracać śrubę regulacji lasera (22) i ustawiać laser, aż będzie wskazywać prawidłową linię cięcia.

Regulacja kąta cięcia skośnego (Rys. B, F)

1. Poluzować śrubę (18) kluczem imbusowym (15).
2. Przesunąć płytę podstawy (9) w żądane położenie (0°- 45°). Kąt piłowania (cięcia skośnego) można odczytać na podziałce (7).
3. Dokręcić śrubę (7) kluczem imbusowym (15). Klucz imbusowy można przechowywać na maszynie zgodnie z Rys. B.

Regulacja ruchu wahadłowego (Rys. A)

Włącznik ruchu wahadłowego służy do regulacji sposobu, w jaki zęby brzeszczota wgrzają się w materiał. Przełącznik ruchu wahadłowego można ustawić na jedno z 4 położenia:

- 0 - Brak ruchu wahadłowego
- 1 - Niewielki ruch wahadłowy
- 2 - Średni ruch wahadłowy
- 3 - Duży ruch wahadłowy

Wymagane ustawienie ruchu wahadłowego można stwierdzić w praktyce, ale zalecamy przestrzeganie poniższych zaleceń:

- Miękki materiał (drewno, tworzywo sztuczne itp.): ustawić ruch wahadłowy na II lub III. Aby uzyskać bardziej precyzyjne i czyste cięcie, użyć ustawienia ruchu wahadłowego 0 lub I.
- Do cienkich materiałów użyć ustawienia ruchu wahadłowego 0.
- Twarde materiały (stal itp.): ustawić ruch wahadłowy na 0.
- Krzywe: ustawić ruch wahadłowy na 0.

Piłowanie wgłębne (Rys. H)

Piłowanie wgłębne można stosować wyłącznie do materiałów miękkich, jak drewno, gazobeton, płyta gipsowo-kartonowa itp. Wymaga to jednak pewnej wprawy i jest możliwe wyłącznie w połączeniu z krótkimi brzeszczotami.

1. Umieścić piłę na obrabianym przedmiocie i włączyć ją.

2. Dopilnować, aby dolna krawędź płyty podstawy spoczywała na powierzchni obrabianego elementu zgodnie z rysunkiem H.
3. Powoli wcinać się piłą w obrabiany element pod kątem, przesuwając piłę do położenia pionowego, a następnie piłować dalej wzdłuż linii cięcia.
4. Wyłączyć piłę i unieść ją z obrabianego elementu po zakończeniu pracy.

Optymalne stosowanie

- Zacisnąć obrabiany element. Używać urządzenia ściskającego (np. imadła) do małych obrabianych przedmiotów.
- Narysować linię, aby określić kierunek prowadzenia brzeszczota.
- Mocno trzymać maszynę za uchwyt.
- Ustawić prędkość piłowania.
- Ustawić kąt cięcia skośnego.
- Włączyć maszynę.
- Począć, aż maszyna osiągnie maksymalne obroty.
- Przyłożyć stopę narzędzia do obrabianego elementu.
- Powoli przesunąć maszynę wzdłuż narysowanej wcześniej linii, mocno dociskając stopę narzędzia do obrabianego elementu.
- Nie naciskać maszyny za mocno. Pozwolić jej wykonać swoją pracę.
- Wyłączyć maszynę i poczekać, aż całkowicie się zatrzyma przed jej odłożeniem.

5. KONSERWACJA



Przed rozpoczęciem czyszczenia i konserwacji zawsze wyluzować maszynę i wyjąć z niej akumulator.

Czyścić obudowę maszyny regularnie miękką ściereczką, najlepiej po każdym użyciu. Dopilnować, aby otwory wentylacyjne były wolne od pyłu, kurzu i zabrudzeń. Usuwać odporne zabrudzenia miękką ściereczką zwilżoną mydlinami. Nie używać żadnych rozpuszczalników, takich jak benzyna, alkohol, amoniak itp. Takie substancje chemiczne spowodują uszkodzenie części z tworzywa sztucznego.

SRODOWISKO



Uszkodzone i/lub niepotrzebne urządzenia elektryczne lub elektroniczne podlegają zbiórce w odpowiednich punktach recyklingu.

Tylko kraje WE

Nie wyrzucac elektronarzedzi wraz z odpadami z gospodarstw domowych. Zgodnie z dyrektywa 2012/19/WE dotyczaca zuzytych urzadzen elektrycznych i elektronicznych oraz jej wdrozeniem do prawodawstwa krajowego, elektronarzedzia, które juz nie nadaja sie do uzytku, podlegaja oddzielnej zbiórce oraz utylizacji w sposób przyjazny dla srodowiska.

GWARANCJA

Produkty VONROC są wytwarzane zgodnie z najwyższymi standardami jakości i producent udziela gwarancji na wady materiałowe i wady wykonania na okres wymagany prawem, licząc od dnia zakupu. Jeśli wystąpi usterka produktu w tym okresie spowodowana wadą materiałową i/lub wadą wykonania, proszę bezpośrednio skontaktować się ze sprzedawcą VONROC.

Następujące okoliczności powodują unieważnienie gwarancji:

- Przeprowadzono naprawy lub modyfikacje narzędzia w serwisie innym lub autoryzowany lub podjęto ich próbe;
- Normalne zużycie nie jest objęte gwarancją;
- Narzędzie było używane niezgodnie z przeznaczeniem, źle z nim się obchodzono lub było nieprawidłowo konserwowane;
- Użyto części zamiennych innych niż oryginalne.

Niniejsza gwarancja to wyłączna gwarancja producenta i nie obowiązują żadne inne wyrażone ani dorozumiane gwarancje. Nie obowiązują żadne inne wyrażone ani dorozumiane gwarancje o zakresie przekraczającym niniejszą gwarancję, co obejmuje dorozumiane gwarancje przydatności do sprzedaży i przydatności do określonego celu. W żadnym przypadku firma VONROC nie ponosi odpowiedzialności za straty przypadkowe lub wynikowe. Zadośćuczynienie sprzedawcy jest ograniczone do naprawy lub wymiany niezgodnych urządzeń lub części.

Produkt i instrukcja obsługi podlegają zmianom. Dane techniczne podlegają zmianom bez uprzedzenia.

1. INSTRUCȚIUNI DE SIGURANȚĂ

Citiți avertizările de siguranță, avertizările de siguranță suplimentare și instrucțiunile. Nerespectarea avertizărilor de siguranță poate cauza producerea de electrocutări, incendii și/sau răniri grave. Păstrați avertizările de siguranță și instrucțiunile pentru referințe viitoare.

În manualul de utilizare sau pe produs se utilizează următoarele simboluri:



Citiți manualul de utilizare.



Indică riscul de rănire personală, pierderea vieții sau deteriorarea sculei în cazul în care nu se respectă instrucțiunile din acest manual.



Țineți persoanele din jur, în special copiii și animalele de companie, la o distanță mai mare de 10m.



Purtați echipament de protecție pentru ochi.



Purtați echipament de protecție pentru urechi.



Purtați mască de protecție antipraf.



Zonă de pericol! Păstrați mâinile la distanță (10 cm) față de zona de tăiere în timp ce mașina este în funcțiune. Pericol de rănire atunci când intrați în contact cu lama ferăstrăului.



Pericol de radiații laser.



Legătură de siguranță în miniatură de tip Time-lag.



Temperatură maximă 45 °C.



Nu aruncați bateria în foc.



Nu aruncați bateria în apă.



Colectare separată pentru bateria Li-ion.

CE *Produsul este în conformitate cu standardele de siguranță aplicabile din directivele europene.*

AVERTISMENTE GENERALE DE SIGURANȚĂ PRIVIND UNELELE ELECTRICE



AVERTISMENT! Citiți toate avertismentele de siguranță și toate instrucțiunile.

Nerespectarea avertismentelor și instrucțiunilor poate cauza producerea de electrocutări, incendii și/sau răniri grave.

Păstrați toate avertizările și instrucțiunile pentru consultare ulterioară.

Termenul „unealtă electrică” din avertismente se referă la unealta electrică (cu cablu) alimentată de la rețea sau la unealta electrică cu acumulator (fără fir).

1) Siguranța zonei de lucru

- a) **Păstrați zona de lucru curată și bine iluminată.** Zonele dezordonate sau întunecate duc la accidente.
- b) **Nu operați uneltele electrice în atmosfere explozive, cum ar fi în prezența lichidelor, gazelor sau pulberilor explozive.** Uneltele electrice generează scântei care pot aprinde pulberea sau fumul inflamabile.
- c) **Țineți la distanță copiii și persoanele din jur în timp ce operați o unealtă electrică.** Distragerile vă pot cauza pierderea controlului.

2) Siguranța electrică

- a) **Ștecherile uneltelor electrice trebuie să se potrivească cu priza. Nu modificați niciodată în nici un fel mufele. Nu folosiți adaptoare de priză cu scule electrice legate de pământ (impământate).** Mufele nemodificate și prizele adecvate reduc riscul șocului electric.
- b) **Evitați contactul corpului cu suprafețele împământate precum țevi, radiatoare, cuptoare și frigider.** Există un risc mai mare de electrocutare dacă vă este corpul împământat.
- c) **Nu expuneți uneltele electrice la ploaie sau condiții de umezeală.** Apa care pătrunde într-o unealtă electrică va spori riscul de electrocutare.
- d) **Nu manipulați necorespunzător cablul. Nu folosiți niciodată cordonul pentru a purta, a trage sau a deconecta unealta. Feriți cordonul de căldură, ulei, margini ascuțite sau piese mobile.** Cordoane distruse sau încurcate cresc riscul de electrocutare.

- e) **Atunci când operați o unealtă de lucru în aer liber, utilizați un prelungitor pentru exterior.** Folosirea unui cordon adecvat pentru uzul în aer liber scade riscul de electrocutare.
- f) **În cazul în care operarea unei unelte electrice într-un spațiu cu umiditate nu poate fi evitată, utilizați o alimentare cu protecție pentru dispozitivele de curent rezidual (RCD).** Utilizarea unui RCD reduce riscul de electrocutare.

3) Siguranța personală

- a) **Fiți precauți, fiți atenți la ceea ce faceți și respectați regulile de bun simț atunci când operați o unealtă electrică. Nu folosiți unealta electrică atunci când sunteți obosit sau sub influența drogurilor, alcoolului sau unui tratament medicamentos.** Un moment de neatenție în timpul operării uneltelor electrice poate cauza vătămări corporale grave.
- b) **Utilizați echipamentul de protecție corporală. Purtați întotdeauna protecție pentru ochi.** Echipamentul de protecție precum masca de praf, pantofii de protecție antiderapanți, casca de protecție sau protecția auzului utilizate în condiții adecvate vor reduce rănille personale.
- c) **Preîntâmpinați pornirea accidentală. Asigurați-vă că comutatorul este în poziția oprit înainte de a vă conecta la sursa de alimentare și / sau la baterie, de a ridica sau purta instrumentul.** Purtarea de unelte electrice ținând degetul pe comutator sau alimentarea uneltelor electrice care au comutatorul pornit duce la accidente.
- d) **Îndepărtați orice cheie sau clește de reglare înainte de a porni unealta electrică.** Un clește sau o cheie lăsată atașată unei piese rotative a uneltei electrice poate cauza vătămări corporale.
- e) **Nu vă întindeți pentru a apuca unealta de lucru. Mențineți-vă întotdeauna stabilitatea și echilibrul.** Acest lucru permite un control mai bun al uneltei electrice în situații neașteptate.
- f) **Îmbrăcați-vă corespunzător. Nu purtați haine largi sau bijuterii. Țineți-vă părul, îmbrăcămintea și mânușile departe de piesele mobile.** Hainele largi, bijuteriile sau părul lung pot fi prinse în părțile mobile.
- g) **În cazul în care dispozitivele prezintă posibilitatea conectării de accesorii pentru aspirația și colectarea prafului, asigurați-vă că aceste accesorii sunt conectate și utilizate în mod corespunzător.** Utilizarea colectării prafului poate reduce pericolele legate de praf.

- h) **Nu lăsați ca obișnuința obținută prin utilizarea frecventă a uneltelor să vă permită să deveniți impasibil și să ignorați principiile de siguranță în utilizarea uneltelor.** O acțiune neglijentă poate provoca accidente grave într-o fracțiune de secundă.
- 4) Utilizarea și îngrijirea unelei electrice**
- a) **Nu forțați unealta electrică. Utilizați unealta electrică adecvată aplicației dvs.** Unealta electrică corectă va face munca mai bine și mai sigur la rata pentru care a fost proiectată.
- b) **Nu utilizați unealta electrică în cazul în care întrerupătorul nu comută în poziția pornit și oprit.** Orice unealtă electrică care nu poate fi controlată cu comutatorul este periculoasă și trebuie reparată.
- c) **Deconectați ștecherul de la sursa de alimentare și/sau acumulatorul de la unealta electrică înaintea efectuării oricărui reglaje, modificării accesoriilor sau depozitării uneltelor electrice.** Aceste măsuri preventive de precauție reduc riscul de pornire accidentală.
- d) **Nu depozitați uneltele electrice în stare inactivă la îndemâna copiilor și nu permiteți persoanelor nefamiliarizate cu unealta de lucru sau cu aceste instrucțiuni să o utilizeze.** Uneltele electrice sunt periculoase în mâinile utilizatorilor neinstruiți.
- e) **Efectuați întreținerea uneltelor electrice. Verificați alinierea sau configurarea greșită a pieselor mobile, ruperea pieselor și orice alte condiții care ar putea afecta funcționarea unelei electrice.** În cazul deteriorării, reparați unealta electrică înainte de uz. Multe accidente sunt cauzate de unelte electrice slab întreținute.
- f) **Păstrați uneltele de tăiat ascuțite și curate.** Uneltele de tăiat corect întreținute cu muchii ascuțite au mai puține șanse să se lege și sunt mai ușor de controlat.
- g) **Utilizați unealta electrică, accesoriile și cuțitele unelei etc. conform acestor instrucțiuni, ținând cont de condițiile de lucru și de lucrarea ce trebuie să fie efectuată.** Folosirea unelei electrice pentru operații diferite decât acelea destinate pot cauza o situație periculoasă.
- h) **Țineți mânerul și suprafețele de prindere uscate, curate și lipsite de ulei și unsoare.** Mânere și suprafețele de prindere alunecoase nu permit manipularea și controlul unelei în de siguranță în situații neașteptate.
- 5) Utilizarea și îngrijirea bateriei unelei**
- a) **Reîncărcați folosind exclusiv încărcătorul specificat de către producător.** Dacă un încărcător conceput pentru un anumit tip de acumulatori este folosit cu alt acumulator, acest lucru poate genera risc de incendiu.
- b) **Utilizați uneltele electrice exclusiv împreună cu acumulatorii specificați.** Utilizarea altor acumulatori poate cauza risc de rănire și incendiu.
- c) **Atunci când acumulatorul nu este utilizat, păstrați-l ferit de alte obiecte metalice, precum agrafe de birou, monede, chei, cuie, șuruburi sau alte obiecte metalice mici ce ar putea crea prin contact conexiunea între cele două borne.** Scurtcircuitarea bornelor bateriei poate cauza arsuri sau incendiu.
- d) **În condiții de utilizare incorectă, este posibil să fie evacuat lichid din baterie; evitați contactul cu acesta. În cazul în care se produce accidental contactul, clătiți cu apă. Dacă lichidul intră în contact cu ochii, solicitați ajutor medical suplimentar.** Lichidul scurs din acumulator poate cauza iritații sau arsuri.
- e) **Nu folosiți un acumulator sau o unealtă care este deteriorată sau modificată.** Acumulatorii deteriorați sau modificați pot avea un comportament imprevizibil care rezultă în foc, explozie sau risc de rănire.
- f) **Nu expuneți acumulatorul sau unealta la foc sau temperatură excesivă.** Expunerea la foc sau temperaturi de peste 130 °C poate provoca explozie. OBSERVAȚIE Temperatura „130 °C” poate fi înlocuită cu temperatura „265 °F”.
- g) **Respectați toate instrucțiunile de încărcare și nu încărcați acumulatorul sau unealta în afara intervalului de temperatură specificat în instrucțiuni.** Încărcarea necorespunzătoare sau la temperaturi în afara domeniului specificat poate deteriora acumulatorul și poate crește riscul de incendiu.
- 6) Service**
- a) **Prevedeți repararea unelei de lucru de către o persoană calificată, folosind exclusiv piese de schimb identice.** Acest lucru va garanta păstrarea în siguranță a unelei electrice.
- b) **Niciodată nu servișați acumulatorii deteriorați.** Servisarea acumulatorilor ar trebui să fie efectuată numai de către producător sau furnizorii autorizați de service.

AVERTIZĂRI DE SIGURANȚĂ PENTRU FIERĂȘ-TRIALE PENDULARE

- **Pericol de radiații laser.** Clasă laser 2, putere max.: <1 mW, λ : 650 nm, EN 60825-1:2014. Nu priviți direct în fasciculul laser sau în deschiderea din care iese. Nu îndreptați niciodată fasciculul laser către oameni, animale sau suprafețe reflectorizante. Chiar și un scurt contact vizual poate duce la leziuni oculare. Examinarea diafragmei de ieșire a laserului prin utilizarea instrumentelor optice (de ex. lupă, dispozitive de mărit și altele asemenea) implică riscul de leziuni ale ochilor. Când lucrați cu un laser de clasa 2, respectați reglementările naționale privind purtarea protecției ochilor.
- **Țineți unealta electrică de suprafețele izolate pentru prindere atunci când efectuați o operație în care accesoriile de debitare pot atinge cabluri ascunse.** Tăierea unui cablu sub tensiune de către accesoriul de debitat ar putea determina scurgerea curentului în componentele metalice expuse ale unelei electrice și ar putea electrocuta operatorul.
- **Țineți mâinile la distanță de spațiul de tăiere.** Nu băgați mâinile sub piesa de lucru. Contactul cu lama fierăstrăului poate duce la vătămări corporale.
- **Aplicați mașina pe piesa de lucru numai când aceasta este pornită.** În caz contrar, există pericolul de recul atunci când scula de tăiere se blochează în piesa de lucru.
- **Acordați atenție ca placa de bază să se sprijine sigur pe material în timpul tăierii.** O lamă de ferăstrău blocată se poate rupe sau duce la recul.
- **La finalizarea tăierii, opriți mașina și scoateți lama fierăstrăului din tăietură numai după oprire.** Astfel, puteți evita reculul și puteți pune deoparte mașina în siguranță.
- **Utilizați numai lame de fierăstrău nedeteriorate care sunt în stare perfectă.** Lamele de fierăstrău îndoite sau tocite se pot rupe, pot impacta negativ tăietura sau pot provoca recul.
- **Nu opriți lama fierăstrăului aplicând presiune laterală după oprire.** Lama de fierăstrău se poate deteriora, rupe sau poate cauza recul.
- **Utilizați detectoare adecvate pentru a determina dacă liniile de utilități sunt ascunse în zona de lucru sau pentru a solicita asistență companiei locale de utilități.** Contactul cu liniile electrice poate duce la incendii și șocuri electrice. Deteriorarea unei conducte de gaz poate

duce la explozie. Penetrarea unei linii de apă provoacă daune materiale.

- **Fixați piesa de prelucrat.** O piesă de prelucrat prinsă în dispozitive de prindere sau într-o menghină este fixată mai sigur decât cu mâinile.
- **Întotdeauna așteptați până când mașina s-a oprit complet înainte de a o așeza jos.** Inserția sculei se poate bloca și poate duce la pierderea controlului asupra unelei electrice.
- **Utilizați clești sau o altă modalitate practică de a fixa și sprijini piesa de prelucrat pe o platformă stabilă.** Ținând piesa în mână sau sprijinită de corp, aceasta va fi instabilă și poate conduce la pierderea controlului.

AVERTISMENTE DE SIGURANȚĂ PENTRU BATERIE

- a) **Nu deschideți bateria.** Pericol de scurtcircuit.
- b) **Protejați bateria împotriva căldurii, de ex. împotriva expunerii puternice la soare, foc, apă și umiditate.** Pericol de explozie.
- c) **În cazul deteriorării și utilizării necorespunzătoare a bateriei, pot fi emiși vapori. Ventilați zona și solicitați asistență medicală în caz de sesizări.** Vaporii pot irita sistemul respirator.
- d) **Utilizați bateria numai împreună cu produsul dvs. Vonroc.** Numai această măsură protejează bateria împotriva supraîncărcării periculoase.
- e) **Bateria poate fi deteriorată de obiecte ascuțite, cum ar fi cuie sau șurubelnițe sau prin forță aplicată extern.** Poate apărea un scurtcircuit intern și bateria poate arde, exploda sau supraîncălzi.

AVERTISMENTE DE SIGURANȚĂ PENTRU STAȚII DE ÎNCĂRCARE

Domeniu de utilizare

Încărcați doar acumulatorii de tip CD801AA și CD803AA cu încărcătorul. Alte tipuri de acumulatori pot exploda provocând răniri personale și daune.

- a) **Aparatul nu trebuie utilizat de către persoane (inclusiv copii) cu capacități fizice, senzoriale sau mentale reduse, sau de către persoane lipsite de experiență și cunoștințe, cu excepția cazului în care acestea au fost supravegheate și instruite.**
- b) **Nu lăsați copiii nesupravegheați să se joace cu aparatul.**
- c) **Nu reîncărcați bateriile ne-reîncărcabile!**
- d) **În timpul încărcării, acumulatorii trebuie amplasați într-o zonă bine ventilată!**

2. INFORMAȚII CU PRIVIRE LA MAȘINĂ

Domeniul de utilizare

Mașina este destinată tăierii lemnului, metalului, materialelor plastice, ceramicii, cauciucului, la orice dimensiune și în orice formă necesară, păstrând placa de bază pe piesa de lucru. Trebuie utilizată întotdeauna o lamă de fierăstrău adecvată.

SPECIFICAȚII TEHNICE



Acest manual a fost realizat pentru diferite numere de seturi/articole. Verificați numărul articolului corespunzător în tabelul de specificații de mai jos pentru a vedea compoziția și conținutul exact al setului.

Nr. model	Acumulatori inclus	Încărcătoare inclus
JS501DC	-	-
S_JS501DC	CD801AA	CD802AA
S2_JS501DC	2 x CD801AA	CD802AA
S3_JS501DC	CD803AA	CD802AA
S4_JS501DC	CD801AA	CD802AA

Informații despre mașină	
Tensiune nominală	20V
Turație la mers în gol	0-2500/min
Cursa fierăstrăului	25 mm
Capacitate max. de tăiere în lemn 0°	50 mm
Capacitate max. de tăiere în oțel 0°	8 mm
Greutate	1,85 kg
Nivelul presiunii sonore LPA	82,0 dB(A), K=3dB(A)
Nivelul puterii sonore LWA	93,0 dB(A), K=3dB(A)
Vibrații „tăierea tablei”	5,459 m/s ² K=1,5 m/s ²
Vibrații „tăierea placajului”	5,658 m/s ² K=1,5 m/s ²

Nr. model	CD801AA
Tip acumulator	Litiu ion
Tensiune	20 V
Capacitate	2,0 Ah
Încărcător recomandat	CD802AA
Greutate	0,3 kg

Nr. model	CD802AA
Intrare încărcător	220-240 V,50 Hz 0,4 A
Ieșire încărcător	21 V 2,5 A
Timp de încărcare acumulator 2 Ah	60 minute
Timp de încărcare acumulator 4 Ah	120 minute
Acumulatori recomandați	CD801AA, CD803AA
Greutate	0,36 kg

Nr. model	CD803AA
Tip acumulator	Litiu ion
Tensiune	20 V
Capacitate	4,0 Ah
Încărcător recomandat	CD802AA
Greutate	0,65 kg

Utilizați numai următoarele baterii ale platformei VONROC VPOWER 20V. Utilizarea altor baterii poate provoca vătămări corporale grave sau defectarea unelei.

CD801AA 20 V, 2 Ah Litiu-Ion
 CD803AA 20 V, 4 Ah Litiu-Ion

Următorul încărcător al dispozitivului poate fi utilizat pentru a încărca aceste baterii.
 CD802AA Încărcător rapid

Bateriile platformei VONROC VPOWER 20V sunt interschimbabile cu toate unelele VONROC VPOWER 20V.

Nivelul vibrațiilor

Nivelul emisiilor de vibrații menționat în acest manual de instrucțiuni a fost măsurat în conformitate cu un test standardizat precizat în EN 62841; poate fi folosit pentru a compara o sculă cu alta și ca evaluare preliminară a expunerii la vibrații atunci când folosiți scula pentru aplicațiile menționate.

- Utilizarea unelei pentru aplicații diferite sau cu accesorii diferite și prost întreținute, poate crește semnificativ nivelul de expunere.
- Momentele în care uneala este oprită sau când funcționează dar nu execută nicio lucrare, pot reduce semnificativ nivelul de expunere.

Protejați-vă împotriva efectelor vibrațiilor prin întreținerea sculei și a accesoriilor sale, păstrând mâinile calde și organizând procesele de lucru.

DESCRIERE

Numerale din text se referă la diagramele de la paginile 2-4.

1. Buton blocare
2. Comutator pornire/oprire
3. Mâner
4. Acumulator
5. Buton deblocare acumulator
6. Comutator acțiune pendulară
7. Scală pentru unghi de teșire
8. Capacul plăcii de bază
9. Placă de bază
10. Rola de ghidare
11. Comutator laser
12. Apărătoare
13. Manetă de prindere
14. Șuruburi fluture pentru ghidaj paralel
15. Cheie hexagonală
16. Mandrină
17. Lamă de fierăstrău
18. Șurub pentru placa de bază
19. Ghidaj paralel
20. Laser
21. Semn de tăiere
22. Șurub de reglare laser
23. Buton indicator cu LED pentru acumulator
24. Indicatori acumulator LED
25. Încărcător
26. Indicatori LED încărcător

3. ASAMBLAREA



Înainte de orice lucrare asupra uneltei, decuplați bateria.



Înainte de prima utilizare, acumulatorul trebuie să fie încărcat.

Introducerea acumulatorului în mașină (Fig. A, G)



Asigurați-vă că exteriorul acumulatorului este curat și uscat înainte de a îl conecta la acumulator sau la mașină.

1. Introduceți bateria (4) în suportul mașinii, așa cum este indicat în Fig G.
2. Apăsăți acumulatorul până când se fixează în poziție.

Scoaterea acumulatorului din mașină (Fig. A, G)

1. Apăsăți butonul de deblocare a acumulatorului (5)
2. Trageți acumulatorul din mașină, așa cum este indicat în Fig. G.

Verificarea nivelului de încărcare a acumulatorului (Fig. I)

- Pentru a verifica nivelul de încărcare a acumulatorului, apăsați scurt butonul (23) de pe acumulator.
- Acumulatorul este prevăzut cu 3 lumini care indică nivelul de încărcare, numărul de lumini aprinse semnifică gradul de încărcare a bateriei.
- Atunci când luminile sunt stinse, acest lucru semnifică faptul că acumulatorul este descărcat și trebuie încărcat imediat.

Încărcarea acumulatorului folosind încărcătorul (Fig. I)

1. Scoateți acumulatorul (4) din mașină.
2. Întoarceți invers acumulatorul (4) și împingeți-l în încărcător (25), așa cum este indicat în Fig. I.
3. Apăsăți acumulatorul până când este introdus complet în locaș.
4. Conectați mufa încărcătorului la o priză electrică și așteptați o perioadă. Indicatorii LED de pe încărcător (26) se vor aprinde și vor indica nivelul de încărcare.

Încărcătorul are 2 indicatori LED (26), care indică nivelul procesului de încărcare:

LED roșu de stare	LED verde de stare	Stare încărcător
Oprit	Oprit	Fără alimentare
Oprit	Pornit	Mod de așteptare: - Nu este niciun acumulator introdus sau, - Acumulator introdus dar încărcarea s-a sfârșit
Pornit	Oprit	Încărcare acumulator în progres

- Încărcarea completă a acumulatorului de 2Ah poate dura până la 60 minute.
- Încărcarea completă a acumulatorului de 4Ah poate dura până la 120 minute.

După încărcarea completă a acumulatorului, scoateți mufa încărcătorului din priză și îndepărtați acumulatorul din încărcător.



Atunci când nu folosiți mașina, este indicat să depozitați acumulatorul în stare încărcată.

Înlocuirea lamei de fierăstrău (Fig. A, C)



La montarea lamei de fierăstrău, purtați mănuși de protecție. Pericol de rănire atunci când atingeți lama ferăstrăului.



Utilizați numai lame care corespund datelor caracteristice din instrucțiunile de operare.

Montarea lamei de ferăstrău



Asigurați-vă că suportul lamei nu prezintă reziduuri de material (cum ar fi așchii de lemn sau metal).

1. Rotiți maneta de prindere (13) cât mai mult posibil spre stânga și mențineți-o în această poziție.
2. Introduceți lama de fierăstrău în mandrină (16). Verificați dacă lama de fierăstrău este fixată în siguranță, iar dinții sunt îndreptați în direcția de tăiere.
3. Eliberați maneta de prindere. Verificați dacă spatele lamei de ferăstrău este poziționat în centrul rolei de ghidaj (10).

Asigurați-vă că utilizați lama adecvată pentru tipul de material respectiv. Alături de mașina este inclusă o lamă pentru tăiere grosieră pentru lemn și o lamă pentru tăiere fină pentru metal și plastic.

Îndepărtarea lamei de ferăstrău

1. Rotiți maneta de prindere (13) cât mai mult posibil spre stânga și mențineți-o în această poziție.
2. Scoateți lama de fierăstrău din mandrină (16).
3. Eliberați maneta de prindere.

Atașarea ghidajului paralel (Fig. D)

1. Slăbiți șuruburile fluture (14).
2. Montați ghidajul paralel (19) pe placa de bază (9).
3. Setati lățimea de tăiere dorită folosind indicatorul de pe ghidajul paralel (14) și marcajul de tăiere de pe placa de bază (20). Marcajul de tăiere (20) indică poziția lamei de ferăstrău.
4. Strângeți șurubul fluture (14).

4. UTILIZAREA

Pornirea/oprirea mașinii (Fig. A)

Comutatorul de pornire/oprire (2) este utilizat pentru acționarea mașinii și reglarea vitezei.

- Pentru a porni mașina, apăsați și mențineți apăsat butonul de blocare (1) și apăsați butonul de pornire/oprire (2).
- Cu cât este mai apăsat comutatorul de pornire/oprire (2), cu atât lama se va mișca mai repede. Viteza necesară depinde de material și poate fi determinată prin teste practice.
- Pentru a opri mașina, eliberați comutatorul de pornire/oprire (2).

Pornirea/oprirea laserului (Fig. A)

- Apăsați comutatorul laserului (11) pentru a porni sau opri laserul. Comutatorul laserului (11) pornește, de asemenea, lumina de lucru cu LED-uri.

Ajustarea de precizie a laserului

Notă: Pentru a testa funcția laser, bateria trebuie introdusă în unealta electrică.



În timp ce reglați laserul, nu activați niciodată comutatorul de pornire/oprire. Pornirea accidentală a sculei electrice poate duce la răniri.

Dacă laserul (11) nu mai indică linia de tăiere corectă, puteți reajusta laserul. Pentru aceasta, reglați șurubul de ajustare a laserului (22) și setați laserul până când indică o linie de tăiere corectă.

Reglarea unghiului înclinat (Fig. B, F)

1. Slăbiți șurubul (18) folosind cheia hexagonală (15).
2. Reglați placa de bază (9) în poziția dorită (0°-45°). Unghiul de tăiere (înclinația) poate fi citit pe indicator (7).
3. Strângeți șurubul (7) folosind cheia hexagonală (15). Este posibil să depozitați cheia hexagonală în mașină, așa cum este indicat în Fig. B.

Reglarea acțiunii de pendulare (Fig. A)

Comutatorul acțiunii de pendulare este utilizat pentru a seta modul în care dinții lamei de ferăstrău prind materialul. Comutatorul acțiunii de pendulare poate fi setat pe 4 poziții:

- 0 - Fără acțiune de pendulare
- 1 - Acțiune de pendulare mică

2 - Acțiune de pendulare medie

3 - Acțiune de pendulare mare

Acțiunea de pendulare necesară poate fi determinată prin testare practică, deși se pot respecta următoarele instrucțiuni:

- Material moale (lemn, materiale plastice etc.): setați pendularea la nivelul II sau III. Pentru o tăietură de ferăstrău mai fină și mai curată, utilizați nivelul de pendulare 0 sau I.
- Material subtire, folosiți nivelul de pendulare 0.
- Material dur (oțel etc.): setați pendularea la nivelul 0.
- Curbe: setați pendularea la nivelul 0.

Decuparea (Fig. H)

Decuparea se poate realiza numai pe materialele moi, cum ar fi lemn, beton aerat, plăci din gips, etc. Cu toate acestea, acest lucru necesită o anumită practică și este posibil numai cu lame de ferăstrău scurte.

1. Așezați fierăstrăul pe piesa de lucru și porniți-l.
2. Asigurați-vă că marginea inferioară a plăcii se sprijină pe suprafața piesei de lucru așa cum este indicat în Fig. H.
3. Începeți să tăiați încet în piesa de lucru la un unghi, deplasând ferăstrăul într-o poziție verticală și continuați să tăiați de-a lungul liniei de tăiere.
4. Opriti fierăstrăul și ridicați piesa de lucru la finalizarea sarcinii.

Utilizare optimă

- Fixați piesa de lucru. Utilizați un dispozitiv de fixare pentru piese de prelucrat mici.
- Trasați o linie pentru a defini direcția în care trebuie ghidat decât discul de polizat.
- Țineți cu fermitate mașina de mână.
- Setați adâncimea de tăiere.
- Setați unghiul de tăiere în unghi.
- Porniți mașina.
- Așteptați până când mașina atinge turația maximă.
- Poziționați accesoriul pe piesa de lucru.
- Deplasați încet mașina de-a lungul liniei trasate anterior, apăsând cu fermitate accesoriul pe piesa de lucru.
- Nu aplicați o presiune excesivă asupra mașinii. Lăsați mașina să execute operația.
- Opriti mașina și așteptați oprirea completă a mașinii înainte de a așeza mașina.

5. ÎNTREȚINEREA



Înainte de curățare și întreținere, opriți alimentarea electrică a mașinii și scoateți acumulatorul din mașină.

Curățați regulat carcasa cu o cârpă moale, de preferat după fiecare utilizare. Curățați fantele de aerisire de praf și murdărie. Îndepărtați murdăria persistentă cu o cârpă moale înmuiată în clăbuci de săpun. Nu folosiți solvenți precum benzină, alcool, amoniac, etc. Astfel de substanțe chimice vor deteriora componentele sintetice.

MEDIU



Aparatele electrice sau electronice deteriorate și/sau defecte trebuie colectate în locurile de reciclare corespunzătoare.

Numai pentru țările din CE

Nu aruncați echipamentele acționate electric împreună cu gunoiul menajer. Conform Indicației europene 2012/19/CE pentru echipamente electrice și electronice uzate și a implementării sale la nivel național, echipamentele acționate electric scoase din uz trebuie colectate separat și evacuate într-o manieră ecologică.

GARANȚIE

Produsele VONROC sunt realizate la cele mai înalte standarde de calitate și sunt garantate în privința materialelor și a manoperei pentru întreaga perioadă de utilizare în garanție, începând cu data achiziției. În cazul în care produsul prezintă defecțiuni în perioada de garanție din cauza materialului defect și/sau a manoperei, contactați direct VONROC.

Următoarele circumstanțe sunt excluse de la această garanție:

- Reparațiile sau modificările care realizate sau care s-au încercat a fi efectuate de centre de service neautorizate;
- Uzura în condiții normale de utilizare;
- Unealta care a fost abuzată, utilizată într-un mod neglijent sau întreținută în mod inadecvat;
- Folosirea unor piese de schimb neoriginale.

Aceasta acoperă garanția companiei, explicită sau implicită. Nu există alte garanții explicite sau impli-

cite care să se extindă dincolo de cele indicate aici, incluzând garanțiile, vandabilitatea sau adecvarea pentru un anumit scop. În nicio situație, VONROC nu este responsabil pentru daunele incidentale sau consecvențiale. Reparațiile efectuate de reprezentant trebuie să fie limitate la reparațiile sau la înlocuirea unităților sau a pieselor neconforme.

Produsul și manualul de utilizare pot suferi modificări. Specificațiile se pot modifica fără notificare prealabilă.

1. INSTRUÇÕES DE SEGURANÇA

Leia os avisos de segurança fornecidos, os avisos de segurança adicionais e as instruções. O não cumprimento dos avisos de segurança e das instruções pode resultar em choque eléctrico, incêndio e/ou ferimentos graves. Guarde os avisos de segurança e as instruções para referência futura.

Os seguintes símbolos são utilizados no manual do utilizador ou no produto:



Leia o manual do utilizador.



Indica o risco de ferimentos, morte ou danos na ferramenta se as instruções indicadas neste manual não forem seguidas.



As pessoas presentes, em especial crianças e animais de estimação, devem manter-se a uma distância superior a 10 m.



Use protecção ocular.



Use protecção auricular.



Use uma máscara de poeiras.



Área de perigo! Mantenha as mãos afastadas (10 cm) da área de corte enquanto a máquina estiver em funcionamento. Há o risco de ferimentos se entrar em contacto com a lâmina da serra.



Aviso de radiação laser.



Fusível miniatura com desfasamento.



Temperatura máx. de 45 °C.



Não deite a bateria no fogo.



Não coloque a bateria dentro de água.



Recolha selectiva para bateria de iões de lítio.



O produto está em conformidade com as normas de segurança aplicáveis nas directivas europeias.

AVISOS GERAIS DE SEGURANÇA SOBRE A FERRAMENTA ELÉCTRICA



AVISO! Leia todos os avisos de segurança e instruções. O não cumprimento dos avisos de segurança e as instruções podem resultar em choque eléctrico, incêndio e/ou ferimentos graves.

Guarde todos os avisos e instruções para referência futura.

O termo “ferramenta eléctrica” indicado nos avisos diz respeito à ferramenta eléctrica com alimentação pela rede (com fio) ou por bateria (sem fio).

1) Segurança da área de trabalho

- a) **Mantenha a área de trabalho limpa e devidamente iluminada.** As áreas obstruídas ou escuras são propícias a acidentes.
- b) **Não utilize ferramentas eléctricas em atmosferas explosivas, por exemplo, na presença de líquidos inflamáveis, gases ou poeiras.** As ferramentas eléctricas produzem faíscas que podem causar ignição de poeiras ou vapores.
- c) **Quando utilizar uma ferramenta eléctrica, mantenha as crianças e transeuntes afastados.** As distrações podem causar perda de controlo.

2) Segurança eléctrica

- a) **As fichas da ferramenta eléctrica devem corresponder à tomada. Nunca modifique, de forma alguma, a ficha. Não utilize quaisquer fichas adaptadoras com ferramentas eléctricas ligadas à terra (massa).** As fichas e tomadas correspondentes não modificadas reduzem o risco de choque eléctrico.
- b) **Evite o contacto do corpo com superfícies ligadas à terra ou massa, como tubos, radiadores, fogões ou frigoríficos.** Há um maior risco de choque eléctrico se o corpo estiver ligado à terra ou à massa.
- c) **Não exponha as ferramentas eléctricas à chuva ou a ambientes húmidos.** A entrada de água numa ferramenta eléctrica aumenta o risco de choque eléctrico.
- d) **Não utilize o cabo de maneira abusiva. Nunca utilize o cabo para transportar, puxar ou desligar a ferramenta eléctrica. Mantenha o cabo afastado de fontes de calor, óleo, extremidades afiadas ou peças móveis.** Cabos danificados ou enrolados aumenta o risco de choque eléctrico.
- e) **Quando utilizar uma ferramenta eléctrica no exterior, opte por uma extensão adequada para**

utilização no exterior. A utilização de um cabo adequado para utilização no exterior reduz o risco de choque eléctrico.

- f) **Se não for possível evitar trabalhar com uma ferramenta eléctrica num local húmido, utilize uma fonte de alimentação protegida por um dispositivo de corrente residual (DCR).** A utilização de um DCR reduz o risco de choque eléctrico.
- ### 3) Segurança eléctrica
- a) **Esteja atento, preste atenção ao que está a fazer e tenha bom senso quando utilizar uma ferramenta eléctrica. Não utilize uma ferramenta eléctrica quando estiver cansado ou sob o efeito de drogas, álcool ou medicamentos.** Um momento de distração durante a utilização de ferramentas eléctricas pode resultar em ferimentos graves.
 - b) **Use equipamento de protecção individual. Use sempre protecção ocular.** O equipamento de protecção, como, por exemplo, máscara de poeiras, sapatos de segurança antiderrapantes, capacete de segurança ou protecção auditiva, utilizado nas condições adequadas, reduz o risco de ferimentos.
 - c) **Evite acionamentos acidentais. Assegure-se de que o gatilho está desligado antes de ligar a ferramenta à corrente eléctrica e/ou as baterias e antes de levantar ou transportar a ferramenta.** O transporte de ferramentas eléctricas com o dedo colocado no interruptor ou a ligação à corrente das ferramentas eléctricas com o interruptor ligado pode dar origem a acidentes.
 - d) **Retire eventuais chaves de ajuste ou chaves de fendas antes de ligar a ferramenta eléctrica.** Uma chave de fenda ou de ajuste montada numa peça rotativa da ferramenta eléctrica pode causar ferimentos.
 - e) **Não tente chegar a pontos fora do alcance. Mantenha-se sempre numa posição firme e bem equilibrada.** Desta forma, será mais fácil controlar a ferramenta eléctrica em situações inesperadas.
 - f) **Use vestuário adequado. Não use roupa larga ou jóias. Mantenha o cabelo, a roupa e as jóias afastados das peças móveis.** As roupas largas, as jóias ou o cabelo comprido podem ficar presos nestas peças.
 - g) **Se for prevista a montagem de dispositivos de extracção e recolha de poeiras, assegure-se de que estão ligados e que são utilizados de forma**

- correcta.** A utilização de dispositivos de extracção de poeiras pode reduzir os riscos inerentes.
- h) **Não permita que a familiaridade obtida através do uso frequente de ferramentas faça com que seja complacente e ignore os princípios de segurança da ferramenta.** Uma acção irreflectida pode causar ferimentos graves numa fracção de segundos.
- 4) Utilização e cuidados a ter com a ferramenta eléctrica**
- a) **Não sobrecarregue a ferramenta eléctrica. Utilize a ferramenta eléctrica correcta para o seu trabalho.** A ferramenta eléctrica adequada efectua o trabalho de maneira mais eficiente e segura se for utilizada de acordo com a capacidade para a qual foi concebida.
- b) **Não utilize a ferramenta eléctrica se não conseguir ligar ou desligar o gatilho.** Qualquer ferramenta eléctrica que não possa ser controlada através do gatilho é perigosa e tem de ser reparada.
- c) **Retire a ficha da fonte de alimentação e/ou a bateria da ferramenta eléctrica, caso seja possível fazê-lo, antes de efectuar quaisquer ajustes, substituir acessórios ou guardar ferramentas eléctricas.** Estas medidas de segurança preventivas reduzem o risco de ligar a ferramenta eléctrica acidentalmente.
- d) **Mantenha as ferramentas eléctricas que não estiverem a ser utilizadas fora do alcance das crianças. Não permita que a ferramenta eléctrica seja utilizada por pessoas não familiarizadas com a mesma ou que não tenham lido estas instruções.** As ferramentas eléctricas são perigosas nas mãos de pessoas que não possuam as qualificações necessárias para manuseá-las.
- e) **Faça a manutenção das ferramentas eléctricas. Verifique se as peças móveis da ferramenta eléctrica estão alinhadas e não bloqueiam, bem como se existem peças partidas ou danificadas ou quaisquer outras condições que possam afectar o funcionamento da mesma. Se a ferramenta eléctrica estiver danificada, esta não deve ser utilizada até que seja reparada.** Muitos acidentes têm como principal causa ferramentas eléctricas com uma manutenção insuficiente.
- f) **Mantenha as ferramentas de corte afiadas e limpas.** As ferramentas de corte sujeitas a uma manutenção adequada, com arestas de corte afiadas, bloqueiam com menos frequência e controlam-se com maior facilidade.
- g) **Utilize a ferramenta eléctrica, os acessórios e as peças de ferramenta, etc., de acordo com estas instruções, considerando as condições de trabalho e a tarefa a ser executada.** A utilização da ferramenta eléctrica para fins diferentes dos previstos pode resultar em situações perigosas.
- h) **Mantenha as pegas e as superfícies de fixação secas, limpas e sem óleo e gordura.** Os punhos e as pegas não permitem o manuseamento e o controlo seguro da ferramenta em situações imprevistas.
- 5) Utilização e cuidados a ter com a ferramenta com baterias**
- a) **Recarregue apenas com o carregador especificado pelo fabricante.** Um carregador adequado para um tipo de bateria pode causar um incêndio se for utilizado com outra bateria.
- b) **Utilize apenas ferramentas eléctricas que tenham baterias especificamente concebidas.** A utilização de outro tipo de baterias pode causar ferimentos e incêndio.
- c) **Quando não utilizar a bateria, mantenha-a afastada de outros objectos metálicos, tais como cliques para papel, moedas, chaves, pregos, parafusos ou outros pequenos objectos metálicos que permitam fazer a ligação entre um terminal e outro.** O curto-circuito dos terminais da bateria pode causar queimaduras ou um incêndio.
- d) **Em condições abusivas, pode derramar líquido da bateria, devendo evitar o contacto. Se tocar acidentalmente no líquido, lave bem com água. Se o líquido entrar em contacto com os olhos, consulte um médico.** O líquido derramado da bateria pode causar irritação ou queimaduras.
- e) **Não utilize baterias ou ferramentas danificadas ou modificadas.** As baterias danificadas ou modificadas podem ter um comportamento inesperado, resultando em incêndio, explosão ou risco de ferimentos.
- f) **Não exponha a bateria ou as ferramenta ao fogo ou a temperaturas excessivas.** A exposição a fogo ou a temperaturas superiores a 130 °C podem causar uma explosão. NOTA: a temperatura "130 °C" pode ser substituída pela temperatura "265 °F".
- g) **Siga todas as instruções de carga e não carregue a bateria ou ferramenta fora do intervalo de temperaturas especificado nas instruções.** A carga inadequada ou de acordo com temperaturas fora do intervalo especificado pode danificar a bateria e aumentar o risco de incêndio.

6) Assistência

- a) **A sua ferramenta eléctrica só deve ser reparada por pessoal qualificado e só devem ser utilizadas peças sobresselentes idênticas.** Desta forma, é garantida a segurança da ferramenta eléctrica.
- b) **Nunca repare baterias danificadas.** A reparação de baterias deve ser efectuada apenas pelo fabricante ou fornecedores de assistência autorizados.

AVISOS DE SEGURANÇA PARA SERRAS DE VAIVÉM

- **Aviso de radiação laser.** Classe de laser 2, P máx.: <1 mW, λ: 650 nm, EN 60825-1:2014. Não olhe directamente para o feixe do laser ou para a abertura através da qual emerge. Nunca aponte o feixe do laser para as pessoas, animais ou superfícies reflectoras. Até o contacto ocular breve pode causar danos oculares. A observação da abertura da saída do laser com instrumentos ópticos (por exemplo, uma lupa, ampliadores e objectos semelhantes) implica o risco de danos oculares. Quando trabalhar com um laser de classe 2, respeite os regulamentos nacionais ou use protecção ocular.
- **Segure na ferramenta eléctrica pelas superfícies de fixação isoladas quando efectuar uma operação em que o acessório de corte possa entrar em contacto com fios ocultos.** Um acessório de corte que entre em contacto com um fio sob tensão eléctrica pode fazer com que as peças de metal expostas da ferramenta conduzam electricidade e electrocutem o utilizador.
- **Mantenha as mãos afastadas do alcance da serra.** Nunca manuseie a parte inferior da peça de trabalho. O contacto com a lâmina da serra pode causar ferimentos.
- **Só deve colocar a máquina em contacto com a peça de trabalho depois de ligá-la.** Caso contrário, há o risco do efeito de recuo se a ferramenta de corte ficar encravada na peça de trabalho.
- **Quando estiver a serrar, a placa de base deve assentar com firmeza no material.** Uma lâmina de serra encravada pode partir-se ou causar o efeito de recuo.
- **Quando o corte for concluído, desligue a máquina e depois puxe a lâmina da serra para fora da área de corte depois de parar por completo.** Assim, pode evitar o efeito de recuo e pode pousar a máquina em segurança.

- **Utilize apenas lâminas de serra não danificadas que estejam em perfeitas condições.** As lâminas de serra dobradas ou embotadas podem partir-se, o que pode afectar o corte ou causar o efeito de recuo.
- **Depois de desligar a ferramenta, não aplique uma pressão lateral para parar a rotação da lâmina da serra.** A lâmina da serra pode ficar danificada, partir-se ou causar o efeito de recuo.
- **Utilize detectores adequados para determinar se as linhas de abastecimento de energia estão ocultadas na área de trabalho ou contacte a empresa de serviços públicos para obter assistência.** O contacto com linhas eléctricas pode dar origem a um incêndio e choque eléctrico. Os danos numa conduta de gás podem dar origem a uma explosão. A perfuração de uma linha de água causa danos materiais.
- **Fixe a peça de trabalho.** É aconselhável apertar uma peça de trabalho com dispositivos de fixação ou num torno do que fazê-lo à mão.
- **Antes de pousar a máquina, aguarde sempre até esta parar por completo.** O suporte de ferramentas pode encravar e resultar em perda de controlo da ferramenta eléctrica.
- **Utilize grampos ou outra maneira de fixar e suportar a peça de trabalho numa plataforma estável.**
Se segurar a peça de trabalho com a mão ou contra o corpo, a peça pode ficar instável e causar perda de controlo.

AVISOS DE SEGURANÇA SOBRE A BATERIA

- a) **Não abra a bateria.** Perigo de curto-circuito.
- b) **Proteja a bateria do calor, por exemplo, contra exposição contínua a luz solar, fogo, água e humidade.** Perigo de explosão.
- c) **Em caso de danos e uso inadequado da bateria, podem ser emitidos vapores.** Ventile a área e contacte um médico se houver queixas. Os vapores podem irritar o sistema respiratório.
- d) **Utilize a bateria apenas em conjunto com o seu produto da Vonroc.** Esta é a única protecção contra sobrecarga perigosa.
- e) **A bateria pode ser danificada por objectos afiados, como pregos ou chaves de fendas ou se for aplicada força externa.** Pode ocorrer um curto-circuito interno e a bateria pode queimar, causar fumo, explodir ou sobreaquecer.

AVISOS DE SEGURANÇA SOBRE O CARREGADOR

Utilização pretendida

Deve utilizar apenas as baterias recarregáveis CD801AA e CD803AA no carregador. Outros tipos de baterias podem rebentar, causando ferimentos e danos.

- a) O equipamento não deve ser utilizado por pessoas (incluindo crianças) com capacidades físicas, sensoriais ou mentais reduzidas ou com falta de experiência e conhecimentos, a menos que tenham supervisão ou instrução.
- b) As crianças devem ser vigiadas, para que não brinquem com o equipamento.
- c) Não recarregue baterias não recarregáveis!
- d) Durante o carregamento, as baterias devem ser colocadas em locais bem ventilados!

2. INFORMAÇÕES SOBRE A MÁQUINA

Utilização pretendida

A máquina foi concebida para serrar madeira, metal, plásticos, cerâmica, borracha, etc., para qualquer tamanho necessário e qualquer forma pretendida, devendo manter a placa de base apoiada com firmeza sobre a peça de trabalho. Deve ser sempre utilizada uma lâmina de serra adequada.

ESPECIFICAÇÕES TÉCNICAS



Este manual foi elaborado para conjuntos/ números de artigos diferentes. Verifique o número do artigo correspondente na tabela de especificações indicada abaixo para obter a composição e conteúdos correctos do seu conjunto.

Modelo n.º	Baterias incluídas	Carregadores incluídos
JS501DC	-	-
S_JS501DC	CD801AA	CD802AA
S2_JS501DC	2 CD801AA	CD802AA
S3_JS501DC	CD803AA	CD802AA
S4_JS501DC	CD801AA	CD802AA

Informações sobre a máquina	
Tensão nominal	20 V
Sem velocidade de carga	0 - 2500/min
Curso da serra	25 mm

Informações sobre a máquina	
Capacidade máx. de serragem em madeira de 0°	50 mm
Capacidade máx. de serragem em aço de 0°	8 mm
Peso	1,85 kg
Nível de pressão acústica LPA	82,0 dB (A), K=3 dB (A)
Nível de potência acústica LWA	93,0 dB (A), K=3 dB (A)
Vibração em serragem de chapas metálicas	5,459 m/s ² K=1,5 m/s ²
Vibração durante a serragem de madeira compensada	5,658 m/s ² K=1,5 m/s ²

Modelo n.º	CD801AA
Tipo de bateria	lões de lítio
Tensão	20 V
Capacidade	2,0 Ah
Carregador recomendado	CD802AA
Peso	0,3 kg

Modelo n.º	CD802AA
Entrada do carregador	220 - 240 V,50 Hz, 0,4 A
Saída do carregador	21 V 2,5 A
Tempo de carregamento de uma bateria de 2 Ah	60 minutos
Tempo de carregamento de uma bateria de 4 Ah	120 minutos
Baterias recomendadas	CD801AA, CD803AA
Peso	0,36 kg

Modelo n.º	CD803AA
Tipo de bateria	lões de lítio
Tensão	20 V
Capacidade	4,0 Ah
Carregador recomendado	CD802AA
Peso	0,65 kg

Utilize apenas as seguintes baterias da plataforma de baterias VONROC VPOWER, 20 V. A utilização de quaisquer outras baterias podem causar ferimentos graves ou danos na ferramenta.

CD801AA Iões de lítio, 20 V, 2 Ah

CD803AA Iões de lítio, 20 V, 4 Ah

O seguinte carregador pode ser utilizado para carregar estas baterias.

CD802AA Carregador rápido

As baterias da plataforma de baterias VPOWER de 20 V da VONROC podem ser utilizadas com todas as ferramentas da plataforma de baterias VPOWER de 20 V da VONROC.

Nível de vibração

O nível de emissão de vibrações indicado neste manual de instruções foi medido em conformidade com um teste padrão especificado pela norma EN 62841; pode ser utilizado para comparar ferramentas e como avaliação preliminar da exposição a vibrações quando utilizar a ferramenta nas aplicações indicadas.

- A utilização da ferramenta para aplicações diferentes, ou com acessórios diferentes ou com uma manutenção deficiente, pode aumentar consideravelmente o nível de exposição.
- O número de vezes que a ferramenta é desligada ou ligada, mas não está a ser utilizada, pode reduzir significativamente o nível de exposição.

Proteja-se contra os efeitos da vibração, através de uma manutenção da ferramenta e dos respectivos acessórios, mantendo as mãos quentes e organizando os seus padrões de trabalho.

DESCRIÇÃO

Os números indicados no texto dizem respeito aos diagramas nas páginas 2 e 4.

1. Botão de desbloqueio
2. Interruptor para ligar/desligar
3. Pega
4. Bateria
5. Botão de desbloqueio da bateria
6. Interruptor de acção pendular
7. Régua para ângulo de bisel
8. Tampa da placa de base
9. Placa da base
10. Rolo-guia
11. Interruptor do laser
12. Protecção
13. Alavanca de fixação
14. Parafuso de aletas para guia paralela
15. Chave hexagonal

16. Mandril
17. Lâmina da serra
18. Parafuso para a placa de base
19. Guia paralela
20. Laser
21. Marca de corte
22. Parafuso de regulação do laser
23. Botão dos indicadores LED da bateria
24. Indicadores LED da bateria
25. Carregador
26. LED de indicação do carregador

3. MONTAGEM



Retire a bateria antes de efectuar qualquer tarefa na ferramenta eléctrica.



A bateria deve ser carregada antes de utilizá-la pela primeira vez.

Inserir a bateria na máquina (Fig. A, G)



Assegure-se de que o exterior da bateria está limpo e seco antes de ligá-lo ao carregador ou máquina.

1. Insira a bateria (4) na base da máquina, como indicado na Fig. G.
2. Empurre a bateria ainda mais até encaixar no respectivo local.

Retirar a bateria da máquina (Fig. A, G)

1. Carregue na patilha de desbloqueio da bateria (5)
2. Retire a bateria da máquina, como indicado na Fig. G.

Verificar o estado de carregamento da bateria (Fig. I)

- Para verificar o estado de carga da bateria, prima ligeiramente o botão (23) na bateria.
- A bateria tem 3 indicadores luminosos que indicam o nível de carga, quanto maior for o número de indicadores luminosos que se acenderem, maior é a carga restante na bateria.
- Se os indicadores luminosos não se acenderem, isso significa que a bateria não tem carga e que deve carregá-la de imediato.

Carregar a máquina com o carregador (Fig. I)

1. Retire a bateria (4) da máquina.
2. Vire a bateria (4) ao contrário e deslize-a para dentro do carregador (25) como indicado na Fig. I.


- Empurre a bateria até estar totalmente encaixada na ranhura.
- Ligue a ficha do carregador numa tomada eléctrica e aguarde uns instantes. Os indicadores LED no carregador (26) acendem-se e mostram o estado de carregador.

O carregador tem 2 indicadores LED (26), que indicam o estado do processo de carregamento:


Estado do LED vermelho	Estado do LED verde	Estado do carregador
Desligado	Desligado	Sem energia
Desligado	Ligado	Modo de espera: - A bateria não foi inserida ou - a bateria foi inserida, mas o carregamento foi concluído
Ligado	Desligado	Carregamento da bateria em curso


- O carregamento total da bateria de 2 Ah pode demorar até cerca de 60 minutos.
- O carregamento total da bateria de 4 Ah pode demorar até cerca de 120 minutos.

Quando a bateria estiver totalmente carregada, retire a ficha do carregador da tomada e retire a bateria do carregador.


 Se não utilizar a máquina durante um período de tempo mais prolongado, é aconselhável armazenar a bateria no estado carregado.

Substituir a lâmina da serra (Fig. A, C)

 Quando montar a lâmina da serra, use luvas de protecção. Há o risco de ferimentos se tocar na lâmina da serra.

 Utilize apenas lâminas da serra de acordo com os dados de características indicados nas instruções de funcionamento.

Montar a lâmina da serra

 O suporte da lâmina não deve ter quaisquer resíduos de material (como, por exemplo, farpas de madeira ou metal).

- Rode a alavanca de fixação (13) o máximo possível para a esquerda e segure-a nesta posição.
- Insira a lâmina da serra no mandril (16). Verifique se a lâmina da serra está bem fixada e que os dentes estão a apontar para a direcção de corte.
- Liberte a alavanca de fixação. Verifique se a parte de trás da lâmina da serra está posicionada no centro do rolo-guia (10).

Deve utilizar a lâmina da serra do material correspondente. A máquina inclui uma lâmina de serra grossa para madeira e uma lâmina de serra fina para metal e plástico.

Retirar a lâmina da serra

- Rode a alavanca de fixação (13) o máximo possível para a esquerda e segure-a nesta posição.
- Retire a lâmina da serra do mandril (16).
- Liberte a alavanca de fixação.

Montar a guia paralela (Fig. D)

- Desaperte os parafusos de aletas (14).
- Monte a guia paralela (19) na placa de base (9).
- Regule a largura de corte pretendida com a régua na guia paralela (14) e a marca de corte na placa de base (20). A marca de corte (20) indica a posição da lâmina da serra.
- Aperte o parafuso de aletas (14).

4. FUNCIONAMENTO

Ligar/desligar a máquina (Fig. A)

O interruptor para ligar/desligar (2) é utilizado para activar a máquina e regular a velocidade.

- Para ligar a máquina, mantenha o botão de desbloqueio (1) premido e, em seguida, carregue no botão para ligar/desligar (2).
- Quanto mais pressionar o interruptor para ligar/desligar (2), maior é a velocidade da lâmina. As velocidades necessárias dependem do material e podem ser determinadas por testes práticos.
- Para parar a máquina, liberte o interruptor para ligar/desligar (2).

Ligar/desligar o laser (Fig. A)

- Carregue no interruptor do laser (11) para ligar ou desligar o laser. O interruptor do laser (11) também serve para ligar a luz de trabalho LED.

Regulação do laser por incrementos

Nota: Para testar o funcionamento do laser, a bateria deve ser inserida na ferramenta eléctrica.



Quando regular o laser, nunca active o interruptor para ligar/desligar. O arranque accidental da ferramenta eléctrica pode causar ferimentos.

Se o laser (11) deixar de indicar a linha de corte correcta, pode regular o laser novamente. Para fazê-lo, ajuste o parafuso de regulação do laser (22) e regule o laser até indicar uma linha de corte correcta.

Regular o ângulo de bisel (Fig. B, F)

1. Desaperte o parafuso (18) com a chave hexagonal (15).
2. Regule a placa de base (9) para a posição pretendida (0° a 45°). O ângulo de serragem (bisel) pode ser verificado na régua (7).
3. Aperte o parafuso (7) com a chave hexagonal (15). É possível armazenar a chave hexagonal na máquina, como indicado na Fig. B.

Regular a acção pendular (Fig. A)

O interruptor de acção pendular é utilizado para regular a maneira como os dentes da lâmina da serra fixam o material. O interruptor de acção pendular pode ser regulado para 4 posições:

- 0 - Sem acção pendular
- 1 - Acção pendular ligeira
- 2 - Acção pendular média
- 3 - Acção pendular elevada

A acção pendular necessária pode ser determinada através de um ensaio, mas é necessário respeitar as seguintes instruções:

- Material macio (madeira, plásticos, etc.): regule o pêndulo para o nível II ou III. Para um corte com a serra mais fino e preciso, utilize o nível de pêndulo 0 ou I.
- Para material fino, utilize o nível de pêndulo 0.
- Material duro (aço, etc.): regule o pêndulo para o nível 0.
- Curvas: regula o pêndulo para o nível 0.

Corte longitudinal (Fig. H)

O corte longitudinal só pode ser utilizado em materiais macios, como madeira, betão arejado, placas de gesso, etc. No entanto, isto requer alguma práti-

ca e é possível apenas com lâmina de serra curtas.

1. Coloque a serra sobre a peça de trabalho e ligue-a.
2. Verifique se a extremidade inferior da plataforma fica assente na superfície da peça de trabalho, como indicado na Fig. H.
3. Serre lentamente a serra na lâmina em ângulo, movendo a serra para uma posição vertical e continue a serrar ao longo da linha de corte.
4. Desligue a serra e retire a peça de trabalho quando a tarefa estiver concluída.

Utilização adequada

- Fixe a peça de trabalho. Utilize um dispositivo de fixação para peças de trabalho pequenas.
- Faça uma linha para definir a direcção de orientação da lâmina da serra.
- Segure a máquina com firmeza pela pega.
- Regule a velocidade de serragem.
- Regule o ângulo de esquadria.
- Ligue a máquina.
- Aguarde até a máquina atingir a velocidade máxima.
- Coloque a sapata da serra na peça de trabalho.
- Mova a máquina lentamente ao longo da linha desenhada previamente, premindo a sapata da serra com firmeza contra a peça de trabalho.
- Não aplique demasiada pressão na máquina. Deixe a máquina fazer o trabalho.
- Desligue a máquina e aguarde até esta parar por completo antes de colocar a máquina no chão.

5. MANUTENÇÃO



Antes de efectuar a limpeza e a manutenção, desligue sempre a máquina e retire a bateria da máquina.

Limpe a carcaça da máquina com regularidade com um pano macio, de preferência após cada utilização. Certifique-se de que as aberturas de ventilação não têm pó ou sujidade. Retire a sujidade muito persistente com um pano macio humedecido com água de sabão. Não utilize solventes, como gasolina, álcool, amoníaco, etc. Este tipo de produtos químicos danificam os componentes sintéticos.

AMBIENTE



Os equipamentos eléctricos ou electrónicos defeituosos e/ou eliminados devem ser recolhidos em locais de reciclagem adequados.

Apenas para os países da CE

Não elimine as ferramentas eléctricas em conjunto com os resíduos domésticos. De acordo com a directiva europeia 2012/19/CE sobre resíduos de equipamentos eléctricos e electrónicos e a respectiva implementação na legislação nacional, as ferramentas eléctricas que já não sejam utilizadas devem ser recolhidas em separado e eliminadas de maneira ecológica.

GARANTIA

Os produtos da VONROC são desenvolvidos de acordo com os padrões de qualidade mais elevados e não apresentam quaisquer defeitos em termos de materiais e mão-de-obra em relação ao período estipulado por lei, cujo início é a partir da data de compra original. Se o produto apresentar qualquer falha durante este período devido a qualquer defeito no material e/ou de mão-de-obra, contacte a VONROC directamente.

As seguintes circunstâncias estão excluídas desta garantia:

- Se forem efectuadas ou tentadas quaisquer reparações e/ou alterações na máquina por centros de assistência não autorizados;
- Desgaste normal;
- Se a ferramenta foi utilizada de maneira abusiva, indevida ou a manutenção for efectuada de maneira incorrecta;
- Se forem utilizadas peças sobresselentes não originais.

Isto constitui a única garantia feita pela empresa, de maneira expressa ou implícita. Não existem quaisquer outras garantias expressas ou implícitas que se prolonguem, incluindo as garantias implícitas de comercialização e adequação para fins específicos. A VONROC não será, em nenhuma circunstância, responsável por danos incidentais ou indirectos. Os fornecedores devem estar limitados a reparar ou substituir as unidades ou peças que não estejam em conformidade.

O equipamento e o manual do utilizador estão sujeitos a alterações sem aviso prévio. As especificações podem ser alteradas sem aviso prévio.

1. BIZTONSÁGI UTASÍTÁSOK

Olvassa el az összes mellékelt biztonsági figyelmeztetést. A figyelmeztetések és utasítások be nem tartása áramütéshez, tűz keletkezéséhez vagy akár súlyos személyi sérüléshez vezethet. Őrizze meg a biztonsági figyelmeztetéseket és utasításokat későbbre is.

A használati útmutatóban és a terméken a következő jelölésekkel találkozhat:



Olvassa el a használati útmutatót.



Jelzi a személyi sérülések, az életveszély vagy a szerszám károsodásának veszélyét.



Ügyeljen rá, hogy a közelben tartózkodók, különösen a gyermekek és a kisállatok legalább 10 méteres távolságot tartsanak a berendezéstől.



Viseljen védőszemüveget.



Viseljen fülvédőt.



Viseljen porvédő álarcot.



Veszélyes terület! A kezeket tartsa a vágási területtől biztonságos (legalább 10 cm) távolságban, amikor a gép működésben van. A fűrészlap megérintése súlyos személyi sérülést eredményezhet.



Figyelmeztetés lézersugárzásra.



Késleltető miniatűr olvadóbetét.



Max. hőmérséklet 45 °C.



Az akkumulátort tűzbe dobni tilos.



Az akkumulátort vízbe dobni tilos.



Li-ion akkumulátor szelektív gyűjtése.



A termék megfelel az európai irányelvek releváns biztonsági követelményeinek.

AZ ELEKTROMOS SZERSZÁMOKRA VONATKOZÓ ÁLTALÁNOS BIZTONSÁGI FIGYELMEZTETÉSEK



FIGYELMEZTETÉS! Olvasson el minden biztonsági figyelmeztetést és utasítást.

A figyelmeztetések és utasítások be nem tartása áramütést, tüzet és/vagy súlyos sérülést okozhat.

Az összes figyelmeztetést és utasítást őrizze meg, mert később még szüksége lehet rájuk.

A figyelmeztetésekben szereplő „elektromos szerszám” kifejezés az Ön hálózatról működő (vezetékes) elektromos szerszámára vagy akkumulátorral működő (vezeték nélküli) elektromos szerszámra utal.

1) A munkaterület biztonsága

- a) **Gondoskodjon a munkaterület tisztaságáról és megfelelő megvilágításáról.** A rendezetlen és sötét területeken valószínűbb a balesetek előfordulása.
- b) **Ne használjon elektromos szerszámot robbanásveszélyes környezetben (pl. gyúlékony folyadékok, gázok és por jelenlétében).** Az elektromos szerszám használata során keletkező szikra lángra lobbanthatja a port és füstöt.
- c) **Az elektromos szerszám használata során a gyermekeket és a közelben tartózkodó személyeket tartsa távol a munkaterülettől.** Ha valami eltereli a figyelmét, elveszítheti az irányítást.

2) Elektromos biztonság

- a) **Az elektromos termék dugóinak megfelelőnek kell lenniük az aljzathoz. Soha ne próbálja semmilyen módon módosítani a dugót. Földelt elektromos szerszámhoz ne használjon semmilyen adapterdugót.** Az eredeti (értsd: módosítás nélküli) dugók és megfelelő hálózati aljzatok használatával mérsékelhető az elektromos áramütés veszélye.
- b) **Testével ne érjen földelt vagy testelt felületekhez, például csövekhez, radiátorokhoz, tűzhelyekhez vagy hűtőszekrényekhez.** Ha teste földelődik vagy testelődik, megnő az áramütés kockázata.
- c) **Óvja az elektromos szerszámot az esőtől és nedves környezettől.** Az elektromos szerszámba kerülő víz növeli az elektromos áramütés veszélyét.

- d) **Ne használja helytelenül (nem előírászerűen) a kábelt. A kábelt soha ne használja az elektromos szerszám hordozására, húzására vagy az aljzathoz történő kihúzására. A kábelt tartsa távol hőforrásoktól, olajtól, hegyes élektől és mozgó alkatrészekről.** A sérült vagy megrepedett kábelek növelik az elektromos áramütés veszélyét.
- e) **Az elektromos termék kültéri használata esetén kültéri használatra alkalmas hosszabbító kábelt használjon.** A kültéri használatra alkalmas kábel használatával mérsékelhető az elektromos áramütés veszélye.
- f) **Ha az elektromos terméket mindenképpen nedves környezetben kell használni, akkor használjon áramvédő kapcsolóval (RCD) ellátott tápforrást.** Az áramvédő kapcsolóval ellátott tápforrás használatával mérsékelhető az elektromos áramütés veszélye.

3) Személyi biztonság

- a) **Az elektromos termék használata során maradjon éber, koncentráljon az éppen végzett műveletre és használja a józan ítélőképességét. Ha fáradt, vagy ha kábítószert, alkoholt vagy gyógyszer hatása alatt áll, ne használjon elektromos terméket.** Az elektromos termékek használata közben egyetlen pillanatnyi figyelmetlenség is súlyos személyi sérülést okozhat.
- b) **Használjon egyéni védőeszközöket. Mindig viseljen szemvédő felszerelést.** A megfelelő körülményekhez való védőeszközökkel (például pormaszkkal, csúszásgátló biztonsági cipővel, munkavédelmi sisakkal vagy hallásvédő eszközzel) csökkenthető a személyi sérülések kockázata.
- c) **Gondoskodjon a gép véletlen elindulásának a megelőzéséről. A szerszám tápforráshoz és/vagy akkumulátorcsomaghoz történő csatlakoztatása, kézbevétele vagy hordozása előtt győződjön meg róla, hogy a kapcsoló OFF (kikapcs.) állásban van.** Ha úgy hordozza az elektromos szerszámot, hogy az ujjá a kapcsolón van, vagy úgy helyezi feszültség alá, hogy a kapcsolója ON (bekapcs.) helyzetben van, ez növeli a balesetek kockázatát.
- d) **Az elektromos szerszám bekapcsolása előtt távolítsa el a csavarkulcsokat vagy beállító kulcsokat.** Az elektromos szerszám forgó alkatrészein felejtett csavarkulcs vagy beállító kulcs személyi sérülést okozhat.

- e) **Ne próbáljon túlnyújtóztatva vagy kitekeredett testhelyzetben dolgozni. Mindig két lábbal, egyensúlyát megtartva álljon a talajon.** Így könnyebben tudja irányítani az elektromos szerszámot a váratlan helyzetekben.
- f) **Megfelelő öltözéket viseljen. Ne viseljen laza ruhát vagy ékszert. Haját, ruháját és kesztyűjét tartsa távol a mozgó alkatrészekről.** A mozgó alkatrészek behúzzhatják a ruhákat, az ékszereket és a hosszú haját.
- g) **Ha rendelkezésre állnak a porszivó és -gyűjtő rendszerek csatlakoztatására szolgáló eszközök, csatlakoztassa ezeket az eszközöket és használja őket megfelelően.** A porgyűjtő rendszerek használatával csökkenthetők a porral kapcsolatos veszélyek.
- h) **Ne engedje, hogy a szerszámok gyakori használata során szerzett tapasztalatai túlzott biztonságérzetet keltsenek Önben, és amiatt elhanyagolja a biztonsági alapelveket.** Gondatlan cselekvés már a másodperc töredéke alatt is súlyos sérülést okozhat.
- 4) Az elektromos szerszám használata és ápolása**
- a) **Az elektromos szerszámot tilos túlzott erő-kifejtéssel használni. Az alkalmazási célnak megfelelő elektromos szerszámot használja.**
A megfelelő elektromos szerszám biztonságosabban és hatékonyabban végzi a munkát azon a fordulatszámra, amire azt tervezték.
- b) **Ne használja az elektromos szerszámot, ha az nem kapcsolható be/ki a főkapcsolóval.** Bármely elektromos szerszám veszélyes lehet, amit a kapcsolóval nem lehet irányítani, ezért az ilyen elektromos terméket meg kell javíttatni.
- c) **Válassza le a dugót a tápforrásról és/vagy az akkumulátorcsomagot az elektromos szerszámról, mielőtt bármilyen módosítást végez, tartozékokat cserél vagy eltávolítja az elektromos szerszámot.** Ezekkel a megelőző biztonsági intézkedésekkel csökkenthető az elektromos szerszám véletlen elindulásának a kockázata.
- d) **Az éppen nem használt elektromos szerszámot olyan helyen tárolja, ahol a gyermekek nem férhetnek hozzájuk, és ne engedje, hogy olyan személyek használják az elektromos szerszámot, akik nem ismerik az elektromos szerszámot és ezeket az utasításokat.** Az elektromos szerszám rendkívül veszélyes lehet szakképzettlen felhasználók kezében.
- e) **Tartsa karban az elektromos szerszámot. Ellenőrizze, hogy a mozgó alkatrészek nem állítód-tak-e el vagy nem szorulnak-e, nincsenek-e az elektromos szerszámon törött alkatrészek, és nem állnak-e fenn olyan körülmények, amelyek befolyásolhatják az elektromos szerszám működését. Ha az elektromos szerszám sérült, használat előtt javíttassa meg.** A hanyagul karbantartott elektromos szerszámok sok balesetet okoznak.
- f) **Tartsa élesen és tisztán a vágószerszámokat.** A megfelelően karbantartott, éles vágószerszámok beszorulásának kisebb a valószínűsége, ráadásul könnyebben irányíthatók.
- g) **Az elektromos szerszámot, a tartozékokat és a számszárakat stb. a jelen utasításoknak megfelelően használja, a munkakörülmények és az elvégzendő feladat figyelembevételével.** Ha az elektromos terméket a rendeltetési céljától eltérően használják, ez veszélyhelyzetet teremthet.
- h) **Tartsa a fogantyúkat és egyéb markolási felületeket szárazon, tisztán, olajtól és zsírtól mentesen.** Váratlan helyzetekben a csúszós fogantyúk és egyéb markolási felületek akadályozzák a szerszám biztonságos kezelését és irányítását.
- 5) Az akkumulátoros szerszám használata és ápolása**
- a) **Újratöltéshez csak a gyártó által megjelölt töltőt használja.** Az egyik akkumulátorhoz megfelelő töltő másikfajta töltővel használva tűzveszélyes lehet.
- b) **Csak a kifejezetten hozzájuk készült akkumulátorral használja az elektromos termékeket.** Bármilyen másfajta akkumulátor használata tűz- és balesetveszélyt idézhet elő.
- c) **Amikor nem használja az akkumulátorcsomagot, tartsa azt távol minden fémes tárgytól, például tűzőka-pocstól, érmétől, kulctól, szögtől, csavartól és minden más apró fémtárgytól, amely a sarukat rövidre zárhatná.** Az akkumulátor kapcsok rövidre zárása égési sérülést vagy tüzet okozhat.
- d) **Agresszív körülmények között az akkumulátorból folyadék kerülhet ki; kerülje a vele való érintkezést. Ha véletlenül mégis a bőrre kerül, vízzel öblítse le. Ha a folyadék szembe kerül, forduljon orvoshoz is.** Az akkumulátorból származó folyadék bőrizgató hatású, égési sérülést is okozhat.

- e) **Sérült vagy átalakított akkucsomagot és szerszámot ne használjon.** A sérült vagy átalakított akkumulátorok kiszámíthatatlanul viselkedhetnek, tüzet, robbanást vagy sérülést okozhatnak.
- f) **Tűztől és szélsőséges hőmérséklettől óvja az akkucsomagot és a szerszámot.** Ha tűznek vagy 130 °C-on felüli hőmérsékletnek teszi ki, robbanást okozhat. MEGJEGYZÉS: a „130 °C” „265 °F”-nak (Fahrenheit foknak) felel meg.
- g) **Tartsa be a töltésre vonatkozó összes útmutatást, és ne töltsen se az akkucsomagot se a szerszámot a kezelési útmutatóban megadott tartományon kívül eső hőmérséklet mellett.** Nem megfelelő vagy a megadott tartományon kívüli hőmérséklet mellett történő töltés károsíthatja az akkumulátort, és tűzveszéllyel jár.

6) Szerviz

- a) **Az elektromos szerszámot képzett szakemberrel javíttassa, csakis az eredetivel azonos pótalkatrészeket használjon fel.** Ez biztosítja, hogy az elektromos szerszám továbbra is biztonságos maradjon.
- b) **Sérült akkucsomagot soha ne szervizeljen.** Akkucsomagok szervizelését csak a gyártó vagy annak megbízott szolgáltatója végezheti.

A DEKOPÍRFŰRÉSRE VONATKOZÓ BIZTONSÁGI FIGYELMEZTETÉSEK

- **Figyelmeztetés lézersugárra** Lézerbesorolás 2, P max.: <1 mW, λ: 650 nm, EN 60825-1:2014. Ne nézzen közvetlenül a lézersugárba vagy abba a nyílásba, ahonnan a lézersugár ered. Soha ne irányítsa a lézersugarat emberekre, állatokra vagy tükröződő felületekre. A szemet ért rövid ideig tartó sugárzás is tartós szemkárosodáshoz vezethet. Ha optikai eszközzel (pl. nagyítóval stb.) vizsgálja meg a lézer kimeneti nyílását, az szemkárosodás veszélyével jár. Ha 2-es besorolású lézerrel dolgozik, tartsa be a védőszemüveg viselésére vonatkozó nemzeti szabályokat.
- **Az elektromos szerszámot a szigetelt markolási felületein fogja, amikor olyan munkát végez vele, ahol a vágószerszám rejtett vezetékek érhet.** Ha a vágószerszám feszültség alatt levő vezetékekhez ér, a szerszám fém részei feszültség alá kerülnek, és a kezelőt áramütés érheti.
- **Tartsa távol a kezét a fűrész működési hatótávolságától.** Ne nyúljon a munkadarab alá. A fűrészlap érintése sérüléshez vezethet.

- **A gépet csak akkor helyezze a munkadarabra, amikor a gép be van kapcsolva.** Máskülönben a vágószerszám beragadhat a munkadarabra, ami veszélyes visszarúgást eredményezhet.
- **Ügyeljen arra, hogy fűrészelés közben a talplemez biztonságosan fekdűjön az anyagra.** A beszorult fűrészlap eltörhet, vagy akár visszarúgást is okozhat.
- **Amikor a vágás befejeződött, kapcsolja ki a gépet, és csak azt követően húzza ki a fűrészlapot a vágatból, hogy a fűrészlap teljesen megállt.** Így elkerülheti a visszarúgást, és biztonságosan leteheti a gépet.
- **Kizárólag tökéletes állapotban lévő, sérülés nélküli fűrészlapokat használjon.** A meghajlott vagy éleetlen fűrészlapok eltörhetnek, kedvezőtlenül befolyásolhatják a vágást, vagy akár visszarúgáshoz is vezethetnek.
- **Ne fékezze le a fűrészlapot úgy, hogy a gép kikapcsolása után oldalirányú nyomást fejt ki a fűrészlapra.** A fűrészlap megsérülhet, eltörhet, vagy akár visszarúgást is okozhat.
- **Erre a műveletre alkalmas detektorral ellenőrizze, vannak-e rejtett közmű vezetékek a területen, amelyen dolgozni fog, vagy kérjen segítséget a helyi közművektől.** Elektromos vezetékek érintése tüzet vagy áramütést okozhat. Gázvezeték sérülése robbanáshoz vezethet. Vízvezeték sérülése anyagi kárt okoz.
- **Rögzítse a munkadarabot.** Sokkal biztonságosabb a munkadarabot szorítóeszközzel vagy satuban rögzíteni, mint kézzel.
- **Mindig várja meg a gép teljes leállását, mielőtt letenné.** A szerszámszár megszorulhat, és az elektromos szerszám feletti uralom elvesztését okozhatja.
- **Használjon szorítókat vagy más praktikus módszert a munkadarab stabil platformhoz való rögzítéséhez és megtámasztásához.** A készülék feletti uralmának elvesztéséhez vezethet, ha a munkadarabot a kezében tartja vagy a testéhez támasztja.

AZ AKKUMULÁTORRAL KAPCSOLATOS BIZTONSÁGI FIGYELMEZTETÉSEK

- a) **Ne bontsa szét az akkumulátort.** Rövidzárlat veszélye.
- b) **Hőbehatástól védje az akkumulátort, pl. ne tegye ki folyamatos erős napsugárzásnak, tűztől, víztől és más nedvességtől is védje.** Robbanásveszély.

- c) **Ha az akkumulátor sérült, vagy rendellenesen használják, gőzök áramolhatnak belőle. Szellőztesse át a munkaterületet, és ha egészségi panaszai vannak, kérjen orvosi segítséget.**
A gőzök irritálhatják a légutakat.
- d) **Az akkumulátort csak az Ön Vonroc-termékéhez használja.** Ezzel az intézkedéssel veszélyes túlterheléstől védi az akkumulátorát.
- e) **Az akkumulátor megsérülhet, ha a külsejét hegyes tárggyal (pl. szeggel, csavarhúzóval) vagy erőszakosan manipulálják.** Belső rövidzárlat következhet be, amittől az akkumulátor leéghet, füstölhet, robbanhat vagy túlmelegedhet.

A TÖLTŐRE VONATKOZÓ BIZTONSÁGI FIGYELMEZTETÉSEK

Rendeltetés

A töltővel kizárólag CD801AA és CD803AA típusú újratölthető akkumulátorcsomagokat töltsön fel. Másfajta akkumulátorok használata személyi sérülést és károkat okozhat.

- a) **A villamos készüléket csökkent fizikai, érzékszervi vagy szellemi képességű személyek (gyermeket is ideértve) vagy tapasztalat, ismeret híján csak felügyelet vagy útmutatás mellett használhatják.**
- b) **Figyelni kell, nehogy a gyerekek játszanak a készülékkel.**
- c) **Nem újratölthető elemek újratöltésével próbálkozni tilos!**
- d) **Az akkumulátorok töltését jól szellőző helyen kell végezni!**

2. GÉPINFORMÁCIÓK

Rendeltetés

A gép fa, fém, műanyag, kerámia, gumi stb. kívánt méretre és formára való fűrészelésére szolgál, a talplemezt erősen a munkadarabra fektetve tartva. Minden esetben a célra alkalmas fűrészlapot kell használni.

MŰSZAKI ADATOK



Ez az útmutató különböző készletekhez / cikkszámokhoz készült. A készlet megfelelő összetételéhez és tartalmához ellenőrizze a műszaki adatokat tartalmazó lenti táblázat vonatkozó cikkszámát.

Típus sz.	Akkumulátorok a csomagban	Töltők a csomagban
JS501DC	-	-
S_JS501DC	CD801AA	CD802AA
S2_JS501DC	2 x CD801AA	CD802AA
S3_JS501DC	CD803AA	CD802AA
S4_JS501DC	CD801AA	CD802AA

A gép adatai

Névleges feszültség	20 V
Üresjárat fordulatszám	0-2500/perc
Fűrészlöklet	25 mm
Max. fa fűrészelési kapacitás 0°	50 mm
Max. acél fűrészelési kapacitás 0°	8 mm
Súly	1,85 kg
Hangnyomásszint LPA	82,0 dB(A) K= 3 dB(A)
Hangteljesítményszint LWA	93,0 dB(A) K= 3 dB(A)
Rezgés fémlemez fűrészelésekor	5,459 m/s ² K=1,5 m/s ²
Rezgés furnérlemez fűrészelésekor	5,658 m/s ² K=1,5 m/s ²

Típus sz.	CD801AA
Akkumulátor típusa	Lítium-ion
Feszültség	20 V
Kapacitás	2,0 Ah
Ajánlott töltő	CD802AA
Súly	0,3 kg

Típus sz.	CD802AA
A töltő bemenete	220-240 V, 50 Hz 0,4 A
A töltő kimenete	21 V 2,5 A
2 Ah-s akkumulátor töltési ideje	60 perc
4 Ah-s akkumulátor töltési ideje	120 perc
Ajánlott akkumulátorok	CD801AA, CD803AA
Súly	0,36 kg

Típus sz.	CD803AA
Akkumulátor típusa	Lítium-ion
Feszültség	20 V

Típus sz.	CD803AA
Kapacitás	4,0 Ah
Ajánlott töltő	CD802AA
Súly	0,65 kg

VONROC VPOWER 20 V akkumulátorplatformból csak a következő akkumulátorokat használja. Más akkumulátor használata súlyos sérüléshez és a szerszám károsodásához vezethet.

CD801AA 20 V, 2 Ah-s lítium-ion

CD803AA 20 V, 4 Ah-s lítium-ion

Ezek az akkumulátorok az alábbi töltővel tölthetők.
CD802AA Gyorstöltő

A VONROC VPOWER 20V platform akkumulátorai csereszabatosak minden VONROC VPOWER 20V akkumulátor platform szerszámmal.

Rezgés értékek

A használati útmutatóban megadott rezgés kibocsátási értékek mérése az EN 62841 sz. szabvány szerinti egységesített eljárással történt; az értékek használhatók gépek összehasonlítására és a munkavégzés közbeni rezgés terhelés előzetes megbecslésére az adott alkalmazási területen.

- Ha az elektromos kéziszerszámot más területen használják vagy más vagy rossz karban tartott tartozékkal, a rezgés terhelés jelentősen megnövekedhet.
- Azok az időtartamok, amely alatt a gép üresen jár vagy áll, jelentősen csökkenthetik a tényleges terhelést.

Védje magát a rezgés hatásától, tartsa karban a gépet és a tartozékokat, melegítsen be és szervezze meg okosan a munkáját.

LEÍRÁS

A szövegbeli számok a 2–4. oldal képeire utalnak.

1. Reteszgomb
2. Főkapcsoló
3. Fogantyú
4. Akkumulátor
5. Akkumulátor kioldó gomb
6. Ingalóket kapcsoló
7. Ferdeszög skála
8. Talplemez fedele
9. Talplemez

10. Terelőgörgő
11. Lézerkapcsoló
12. Védőburkolat
13. Befogókar
14. Párhuzamvezető szárnyascsavarjai
15. Imbuszkulcs
16. Tokmány
17. Fűrészlap
18. Talplemezcsavar
19. Párhuzamvezető
20. Lézer
21. Vágásjelző
22. Lézerállító csavar
23. Akkumulátor LED-jelzőlámpák gomb
24. Akkumulátor LED-jelzőlámpák
25. Töltő
26. Töltésjelző LED-ek

3. ÖSSZESZERELÉS



Az elektromos szerszámon végzett bármilyen mű munka előtt távolítsa el az akkumulátort.



Az akkumulátort első használat előtt először fel kell tölteni.

Az akkumulátor behelyezése a gépbe (A, G ábra)



A töltőre vagy a gépre csatlakoztatás előtt ellenőrizze, hogy az akkumulátor külseje tiszta és száraz legyen.

1. Tegye az akkumulátort (4) a gép talpába a „G” ábrán látható módon.
2. Kattanásig nyomja az akkumulátort a helyére.

Az akkumulátor kivétele a gépből (A, G ábra)

1. Nyomja meg az akkumulátor kioldó gombját (5)
2. Vegye ki az akkumulátort a gépből a G ábrán látható módon.

Az akkumulátor töltési állapotának ellenőrzése (I ábra)

- A töltöttségi szint ellenőrzéséhez nyomja meg röviden a gombot (23).
- Az akkumulátor 3 lámpával mutatja a töltési szintet, minél több világít, annál több töltése van még az akkumulátornak.
- Ha a lámpák nem világítanak, az akkumulátor lemerült, azonnal tölteni kell.

Az akkumulátor töltése a töltővel (1 ábra)

1. Vegye ki a gépből az akkumulátort (4).
2. Fordítsa fejjel lefelé az akkumulátort (4) és csúsztassa a töltőre (25) az 1 ábrán látható módon.
3. Nyomja be egészen az akkumulátort a nyílásba.
4. Dugja a töltő dugót villamos aljzatba és várjon.
A gépen a LED jelzők (26) világitani kezdenek és jelzik a töltő állapotát.

A töltőn 2 LED jelzőlámpa (26) van, amelyek mutatják a töltési folyamatot:

Piros LED állapot	Zöld LED állapot	Töltés állapot
Nem világit	Nem világit	Nincs áramellátás
Nem világit	Világit	Készenlét mód: - Nincs behelyezve akkumulátor vagy - Akkumulátor behelyezve, de a töltés befejeződött
Világit	Nem világit	Akkumulátor töltődik

- A 2 Ah-s akkumulátor teljes feltöltése 60 percet vesz igénybe.
- A 4 Ah-s akkumulátor teljes feltöltése 120 percet vesz igénybe.

Az akkumulátor teljes feltöltése után húzza ki a töltődugót az aljzataból és vegye ki az akkumulátort a töltőből.



Ha a gépet hosszabb ideig nem használják, jobb az akkumulátort töltött állapotban tárolni.

Fűrészlap cseréje (A és C ábra)



A fűrészlap felszereléséhez viseljen védőkesztyűt. A fűrészlap megérintése sérülést eredményezhet.



Csak olyan fűrészlapot használjon, amely megfelel a kezelési útmutatóban megadott jellemző adatoknak.

A fűrészlap felszerelése



Győződjön meg arról, hogy a fűrészlaptartó anyag törmelékectől mentes (például fa- vagy fémszilánkoktól).

1. Forgassa el teljesen balra a befogókart (13), és tartsa ebben a pozícióban.
2. Helyezze be a fűrészlapot a tokmányba (16). Győződjön meg róla, hogy a fűrészlap stabilan rögzült, valamint hogy a vágás irányába néznek.
3. Engedje el a befogókart. Ellenőrizze, hogy a fűrészlap hátsó része a terelőgörgő (10) közepén helyezkedik el.

Az anyagnak megfelelő fűrészlapot használjon. A géphez mellékelünk egy durva fűrészlapot, amivel fát lehet vágni, valamint egy finom fűrészlapot, amivel fémet és műanyagot lehet vágni.

A fűrészlap leszerelése

1. Forgassa el teljesen balra a befogókart (13), és tartsa ebben a pozícióban.
2. Távolítsa el a fűrészlapot a tokmányból (16).
3. Engedje el a befogókart.

A párhuzamvezető csatlakoztatása (D ábra)

1. Lazítsa meg a szárnyascsavarokat (14).
2. Szerelje fel a párhuzamvezetőt (19) a talplemezre (9).
3. Állítsa be a kívánt vágási szélességet a párhuzamvezetőn (14) lévő skála és a talplemezen (20) lévő vágásjelző segítségével. A fűrészlap helyzetét a vágásjelző (20) jelzi.
4. Húzza meg a szárnyascsavart (14).

4. HASZNÁLAT

A gép be- és kikapcsolása (A ábra)

A főkapcsoló (2) a gép bekapcsolására és a fordulatszám beállítására szolgál.

- A gép beindításához nyomja és tartsa lenyomva a reteszgombot (1), majd nyomja le az üzemi kapcsolót (2).
- Minél jobban benyomja a főkapcsolót (2), annál gyorsabban fog mozogni a lap. A kívánt fordulatszám a munkadarab anyagától függ, és próbálgatással határozható meg.
- A gép kikapcsolásához engedje el az üzemi kapcsolót (2).

A lézer be- és kikapcsolása (A ábra)

- A lézer kapcsolójának (11) megnyomásával kapcsolja be vagy ki a lézert. A lézerkapcsoló (11) egyúttal a LED-munkalámpát is bekapcsolja.

A lézerekészülék finombeállítása

Megjegyzés: A lézerfunkció teszteléséhez az akkumulátort be kell helyezni az elektromos szerszámba.



A lézer beállítása során soha ne aktiválja a főkapcsolót. Az elektromos szerszám véletlen elindítása sérülésekhez vezethet.

Ha a lézer (11) már nem mutatja pontosan a vágási vonalat, újra be kell állítani. Ehhez állítsa be a lézerállító csavart (22) és állítsa be a lézert, amíg az a megfelelő vágási vonalat nem adja.

A ferdevágási szög beállítása (B, F ábra)

1. Lazítsa meg a csavart (18) imbuszkulcs (15) segítségével.
2. Állítsa a talplemezt (9) a kívánt pozícióba (0°-45°). A vágás szöge (ferdevágás) a skáláról (7) leolvasható.
3. Húzza meg a csavart (7) imbuszkulcs (15) segítségével. Az imbuszkulcs eltávolítható a gépen (lásd a B ábrát).

Az ingalököt beállítása (A ábra)

Az ingalököt kapcsolóval kiválasztható a fűrészlap fogainak anyaghoz való tapadási módja. Az ingalököt kapcsoló 4 pozícióba állítható:

0 - Nincs ingalököt

1 - Alacsony fokozatú ingalököt

2 - Közepes fokozatú ingalököt

3 - Magas fokozatú ingalököt

A szükséges ingalököt gyakorlati teszteléssel határozható meg, azonban a következő útmutatás alkalmazható:

- Puha anyag (fa, műanyag stb.): állítsa az ingalököt a II. vagy III. fokozatba. Finomabb és tisztább vágáshoz használja az ingalököt 0. vagy I. fokozatát.
- Vékony anyag esetében használja az ingalököt 0. fokozatát.
- Kemény anyag (keményfa, acél stb.): állítsa az ingalököt 0. fokozatba.
- Ívek: állítsa az ingalököt 0. fokozatba.

Beszúró fűrészelés (H ábra)

Csak puha anyagokon (például fa, gázbeton, gipszkartonlemez stb.) lehet beszúró fűrészeléssel végezni. Megfelelő tapasztalat szükséges hozzá, és csak rövid fűrészlapokkal lehet végezni.

1. Helyezze a fűrészelt munkadarabra, és kapcsolja be a fűrészelt.

2. Ügyeljen rá, hogy a talplemez alsó széle a H ábrán látható módon felfeküdjön a munkadarab felületére.
3. Fűrészljen bele rézsúsen és lassan a munkadarabba. Fokozatosan mozgassa a fűrészelt függőleges helyzetig, majd folytassa a fűrészeléssel a vágóvonal mentén.
4. Amikor végzett a munkával, kapcsolja ki a fűrészelt, majd emelje ki a munkadarabból.

Optimális használat

- Rögzítse a munkadarabot. Kis munkadaraboknál használjon satut.
- Húzzon egy vonalat a fűrészlap vezetési irányának meghatározására.
- Erősen fogja meg a gépet a markolatnál fogva.
- Állítsa be a fűrészelés sebességét.
- Állítsa be a gérszöget.
- Kapcsolja be a gépet.
- Várja meg, amíg a gép teljes fordulatszámra gyorsul.
- Helyezze a fűrészlapot a munkadarabra.
- Lassan mozgassa a gépet az előre megrajzolt vonal mentén, a fűrészlapot erősen a munkadarabhoz szorítva.
- Ne nyomja túl erősen a gépet. Hagyja, hogy a gép dolgozzon.
- Kapcsolja ki a gépet, majd várja meg, amíg teljesen leáll, csak utána tegye le.

5. KARBANTARTÁS



Tisztítás és karbantartás előtt mindig kapcsolja ki a gépet és vegye ki belőle az akkumulátort.

A gép burkolatát rendszeresen, lehetőleg minden használat után törölje át puha ronggyal. Ügyeljen arra, hogy a szellőzőnyílások portól és piszoktól mentesek. Makacs szennyeződésekhez használjon szappanos vízzel átitatott ruhát. Oldószert, benzint, alkoholt, ammóniát stb. ne használjon. Ezek a vegyszerek kárt tesznek a szintetikus részekben.

KÖRNYEZETVÉDELEM



A hibás vagy már feleslegessé vált elektromos, elektronikus készülékeket az ezzel foglalkozó hulladékgyűjtő helyeken kell leadni.

Csak EU országokban

Elektromos szerszámot ne dobjon a háztartási hulladékba. Az elektromos és elektronikai hulladékra vonatkozó, 2012/19/EU európai irányelv és annak a nemzeti törvénykezésbe történő átültetése értelmében az elhasználódott elektromos készülékeket külön kell gyűjteni és környezetbarát módon kell kiselejtezni.

JÓTÁLLÁS

A VONROC termékei a legmagasabb minőségi normák szerint készülnek, és az eredeti vásárlás napjától számított, törvényileg előírt időtartamig garatáljuk, hogy anyag- és gyártási hibáktól mentesen fognak működni. Ha a termékben ezen időszak alatt bármilyen hiba jelentkezik anyag- és/vagy gyártási hiba miatt, kérjük, forduljon közvetlenül az Ön VONROC kapcsolattartójához.

A szavatosság nem érvényes a következő körülmények egyikére sem:

- Nem hivatalos szervizközpontok javítást vagy módosítást végeztek (vagy megkíséreltek javítást vagy módosítást végezni) a gépen.
- Normál elhasználódás és kopás.
- A szerszámot szabálytalanul vagy nem rendeltetésszerűen használták, vagy a karbantartása nem volt megfelelő;
- Nem eredeti pótalkatrészeket használtak.

A jelen garancia a vállalat által (akár kifejezetten, akár hallgatólagosan) biztosított kizárólagos garancia. Nem léteznek olyan egyéb garanciák (sem kifejezett, sem hallgatólagos garanciák, beleértve az értékesíthetőségre és az adott célra való alkalmasságra vonatkozó hallgatólagos garanciákat is), amelyek a jelen garancia hatókörén túlmutatnak. A VONROC semmilyen esetben sem felelős semmilyen járulékos vagy következményes kárért. A forgalmazók jogorvoslati teendői az előírásoknak nem megfelelő egységek vagy alkatrészek javítására és cseréjére korlátozódnak.

A termék és a használati útmutató változtatásának jogát fenntartjuk. A műszaki adatok előzetes bejelentés nélkül változhatnak.

1. BEZPEČNOSTNÍ POKYNY

Přečtete si příložené bezpečnostní výstrahy, dodatečné bezpečnostní výstrahy a bezpečnostní pokyny. Nebudete-li dodržovat tyto bezpečnostní výstrahy a pokyny, může dojít k úrazu elektrickým proudem, k vzniku požáru nebo k vážnému zranění. Uchovejte tyto bezpečnostní výstrahy a pokyny pro budoucí použití.

V tomto návodu k obsluze a na tomto výrobku jsou použity následující symboly:



Přečtete si návod k obsluze.



Upozorňuje na riziko zranění osob, ztráty života nebo poškození zařízení, nebudou-li dodržovány pokyny uvedené v tomto návodu.



Udržujte přihlízející, zejména děti a domácí zvířata, ve vzdálenosti větší než 10 metrů.



Používejte ochranu zraku.



Používejte ochranu sluchu.



Používejte ochrannou masku proti prachu.



Nebezpečný prostor! Udržujte ruce v bezpečné vzdálenosti (10 cm) od místa řezu, když je nářadí v provozu. Nebezpečí zranění při kontaktu s pilovým listem.



Varování před laserovým zářením.



Miniaturní pomalá pojistka s tavnou vložkou.



Maximální teplota 45 °C.



Nevhazujte akumulátor do ohně.



Nevhazujte akumulátor do vody.



Použijte tříděný odpad pro akumulátory Li-Ion.



Tento výrobek je vyroben v souladu s platnými bezpečnostními normami, které jsou uvedeny ve směrnicích EU.

OBECNÉ BEZPEČNOSTNÍ VÝSTRAHY TÝKAJÍCÍ SE ELEKTRICKÉHO NÁŘADÍ



VAROVÁNÍ! Přečtěte si všechny bezpečnostní výstrahy a všechny pokyny.

Nebudete-li dodržovat tyto bezpečnostní výstrahy a pokyny, může dojít k úrazu elektrickým proudem, ke vzniku požáru nebo k vážnému zranění.

Uchovejte všechny bezpečnostní výstrahy a pokyny pro budoucí použití.

Pojem elektrické nářadí v těchto varováních odkazuje na elektrické nářadí napájené z elektrické sítě (s napájecím kabelem) nebo z akumulátoru (bez napájecího kabelu).

1) Bezpečnost pracovního prostoru

- a) **Udržujte čistotu na pracovišti a zajistěte jeho řádné osvětlení.** Neuklizená nebo tmavá místa přivolávají nehody.
- b) **Nepoužívejte elektrická nářadí ve výbušných prostředích, jako jsou místa, kde se vyskytují hořlavé kapaliny, plyny nebo prašné látky.** V elektrickém nářadí dochází k jiskření, které může způsobit vznícení prachu nebo výparů.
- c) **Při práci s tímto elektrickým nářadím udržujte děti a okolo stojící osoby v bezpečné vzdálenosti.** Rozptylování může způsobit ztrátu kontroly nad nářadím.

2) Elektrická bezpečnost

- a) **Zástrčka napájecího kabelu nářadí musí odpovídat zásuvce. Zástrčku nikdy žádným způsobem neupravujte. Nepoužívejte u uzemněného elektrického nářadí žádné adaptéry zástrček.** Neupravené zástrčky a odpovídající zásuvky sníží riziko úrazu elektrickým proudem.
- b) **Vyvarujte se kontaktu těla s uzemněnými povrchy, jako jsou potrubí, radiátory, trouby a ledničky.** Dojde-li k uzemnění vašeho těla, hrozí zvýšené riziko způsobení úrazu elektrickým proudem.
- c) **Nevystavujte elektrické nářadí dešti ani vlhkému prostředí.** Dostane-li se do elektrického nářadí voda, zvýší se riziko úrazu elektrickým proudem.
- d) **Nezacházejte špatně s napájecím kabelem. Nikdy nepoužívejte napájecí kabel pro přenášení nebo tahání elektrického nářadí ani netahejte za tento kabel při vypořádání zástrčky ze zásuvky. Dbejte na to, aby tento kabel nepřecházel**

přes horké a mastné povrchy ani přes ostré hrany a aby se nedostal do kontaktu s pohyblivými se díly. Poškozené nebo zamotané kabely zvyšují riziko úrazu elektrickým proudem.

- e) **Používáte-li elektrické nářadí venku, použijte prodlužovací kabel vhodný pro venkovní použití.** Použití prodlužovacího kabelu pro venkovní použití snižuje riziko úrazu elektrickým proudem.
 - f) **Musíte-li používat toto elektrické nářadí ve vlhkém prostředí, použijte v elektrickém obvodu proudový chránič (RCD).** Použití proudového chrániče (RCD) snižuje riziko úrazu elektrickým proudem.
- #### 3) Bezpečnost osob
- a) **Při práci s tímto elektrickým nářadím buďte stále pozorní, sledujte, co provádíte a používejte zdravý rozum. Nepoužívejte elektrické nářadí, jste-li unaveni nebo jste-li pod vlivem drog, alkoholu nebo léků.** Malá nepozornost při práci s elektrickým nářadím může mít za následek velmi nebezpečné zranění.
 - b) **Vždy používejte osobní ochranné prostředky. Vždy používejte ochranu zraku.** Ochranné prostředky, jako jsou maska proti prachu, neklouzavá pracovní ochranná obuv, pevná přilba nebo chrániče sluchu, které jsou používány v příslušných podmínkách, zmenšují riziko způsobení zranění osob.
 - c) **Zabraňte náhodnému spuštění nářadí. Před připojením elektrického nářadí k napájecímu zdroji nebo před vložením akumulátoru do nářadí, před zvednutím nářadí nebo před jeho přenášením se ujistěte, zda je spínač nářadí v poloze vypnuto.** Přenášení elektrického nářadí s prstem na vypínači nebo připojení elektrického nářadí ke zdroji elektrické energie, když je vypínač v poloze zapnuto, zvyšuje pravděpodobnost vzniku nehod.
 - d) **Před zapnutím elektrického nářadí vždy odstraňte všechny klíče a seřizovací přípravky.** Klíče nebo seřizovací přípravky ponechané na rotující části elektrického nářadí mohou způsobit zranění osob.
 - e) **Nepřeceňujte své síly. Vždy udržujte správný postoj a rovnováhu.** Tak si zachováte lepší kontrolu nad nářadím v neočekávaných situacích.
 - f) **Vhodně se oblékejte. Nenoste volný oděv ani šperky. Udržujte vlasy, oblečení a rukavice v bezpečné vzdálenosti od všech pohyblivých částí.** Volný oděv, šperky nebo dlouhé vlasy

mohou být zachyceny pohybujícími se díly.

- g) **Jsou-li zařízení vybavena adaptérem pro připojení odsávacího systému, ujistěte se, zda je odsávací zařízení správně připojeno a zda správně plní svoji funkci.** Použití odsávání prachu může snížit rizika spojená prací v prašném prostředí.
- h) **Nedovolte, aby jistota získaná častým používáním náradí vedla ke snížení vaší pozornosti a ignorování zásad bezpečné práce s nářadím.** Chvilková nepozornost může během zlomku sekundy způsobit vážné zranění.
- 4) Použití elektrického náradí a jeho údržba**
- a) **Nepřetěžujte elektrické nářadí. Používejte pro prováděnou práci správné elektrické nářadí.** Správné elektrické nářadí provede práci lépe a bezpečněji, je-li použito pro práce, pro které je určeno.
- b) **Nepoužívejte elektrické nářadí, nepracuje-li správně jeho spouštěcí spínač.** Nemůžete-li elektrické nářadí ovládat pomocí spouštěcího spínače, takové nářadí je velmi nebezpečné a musí být opraveno.
- c) **Před prováděním jakéhokoliv seřízení, před výměnou příslušenství nebo před uložením odpojte napájecí kabel nářadí od napájecího zdroje nebo z nářadí vyjměte akumulátor.** Tato preventivní bezpečnostní opatření snižují riziko náhodného spuštění elektrického nářadí.
- d) **Uložte nepoužívané elektrické nářadí mimo dosah dětí a nedovolte osobám, které nejsou obeznámeny s tímto nářadím nebo s těmito pokyny, aby toto elektrické nářadí používaly.** Elektrické nářadí je v rukách neproškolených osob nebezpečné.
- e) **Provádějte údržbu elektrického nářadí. Zkontrolujte nevyrovnaní nebo vážnutí pohyblivých částí, poškození součástí a jiné stavy, které by mohly mít vliv na správnou funkci nářadí. Je-li elektrické nářadí poškozeno, zajistěte jeho opravu dříve, než ho použijete.** Mnohé nehody bývají způsobeny nedostatečnou údržbou elektrického nářadí.
- f) **Udržujte řezné nástroje ostré a čisté.** U správně udržovaných řezných nástrojů s ostrými řeznými břity je menší pravděpodobnost jejich zablokování a lépe se s nimi pracuje.
- g) **Používejte elektrické nářadí, příslušenství, pracovní nástroje atd., podle těchto pokynů a berte v úvahu pracovní podmínky a práci, která bude prováděna.** Použití elektrického nářadí

pro operace, pro které není určeno, může vést k nebezpečným situacím.

- h) **Dbejte na to, aby byly rukojeti a úchopné povrchy suché, čisté a zbavené olejí a maziv.** Kluzké rukojeti a úchopné plochy neumožňují bezpečnou manipulaci a ovládání náradí v neočekávaných situacích.
- 5) Použití a údržba akumulátorového náradí**
- a) **K nabíjení používejte výhradně nabíječku předepsanou výrobcem.** Nabíječka vhodná pro jeden typ akumulátoru může způsobit požár při vložení jiného, nevhodného typu.
- b) **Používejte elektrické nářadí pouze s předepsanými akumulátory.** Použití jiných typů akumulátoru může způsobit požár nebo zranění.
- c) **Není-li akumulátor používán, uložte ho mimo dosah kovových předmětů, jako jsou kancelářské sponky, mince, klíče, hřebíky, šroubky nebo jiné malé kovové předměty, které by mohly zkratovat jeho kontakty.** Zkratování kontaktů akumulátoru může způsobit popáleniny nebo požár.
- d) **Za nevhodných podmínek může z akumulátoru unikat kapalina. Vyvarujte se kontaktu s touto kapalinou. Dojde-li k náhodnému kontaktu s touto kapalinou, zasažené místo omyjte vodou. Dostane-li se kapalina do očí, ihned si je vypláchněte vodou a vyhledejte lékařskou pomoc.** Unikající kapalina z akumulátoru může způsobit podráždění pokožky nebo popáleniny.
- e) **Nepoužívejte poškozený nebo upravený akumulátor či nářadí.** Poškozené nebo upravené akumulátory se mohou chovat nepředvídatelně, což může způsobit požár, výbuch nebo nebezpečí zranění.
- f) **Nevystavujte akumulátor ani nářadí ohni ani nadměrným teplotám.** Vystavení účinkům ohně nebo teplot nad 130 °C může způsobit výbuch. POZNÁMKA: Teplota „130 °C“ odpovídá teplotě „265 °F“.
- g) **Dodržujte všechny pokyny pro nabíjení a nenabíjejte akumulátor ani nářadí mimo teplotní rozsah předepsaný v těchto pokynech.** Nesprávné nabíjení nebo nabíjení při teplotě mimo specifikovaný rozsah může poškodit akumulátor a zvýšit nebezpečí vzniku požáru.
- 6) Servis**
- a) **Svěřte opravu svého elektrického nářadí pouze osobě s příslušnou kvalifikací, která bude používat výhradně originální náhradní díly.**

Tím zajistíte bezpečný provoz tohoto elektrického nářadí.

- b) **Nikdy neopravujte poškozené akumulátorové moduly.** Opravy akumulátorů smí provádět výhradně výrobce nebo technik autorizovaného servisu.

BEZPEČNOSTNÍ VÝSTRAHY PRO PŘÍMOČARÉ PÍLY

- **Varování před laserovým zářením.** Laser třídy 2, P_{max}: <1 mW, λ: 650 nm, EN 60825-1:2014. Nedívejte se přímo do laserového paprsku nebo do otvoru, z jakého tento laserový paprsek vychází. Nikdy nemířte laserovým paprskem na osoby, zvířata nebo na odrazové plochy. Do konce i krátký kontakt oka s laserem může vést k poškození zraku. Zkoumání výstupního otvoru laserového paprsku pomocí optických nástrojů (například lupy, zvětšovacího skla atd.) představuje riziko poškození zraku. Při práci s laserem třídy 2 dodržujte platné národní předpisy týkající se ochrany zraku.
- **Při provádění prací, během kterých se může pracovní příslušenství dostat do kontaktu se skrytou elektroinstalací, držte toto elektrické nářadí za izolované plochy určené pro úchop.** Pracovní příslušenství, které se dostane do kontaktu s „živým“ elektrickým vodičem, může způsobit, že nechráněné kovové části nářadí budou také „živé“, což by mohlo vést k úrazu obsluhy elektrickým proudem.
- **Udržujte ruce v bezpečné vzdálenosti od místa řezu.** Nesahejte pod obrobek. Kontakt s pilovým listem může způsobit zranění.
- **Přikládejte toto nářadí k obrobku pouze v případě, je-li zapnuto.** Nedodržíte-li tento pokyn, bude hrozit riziko zpětného rázu, když se pilový list při spuštění nářadí zablokuje v obrobku.
- **Při řezání věnujte pozornost tomu, aby se deska základny bezpečně opírala o materiál.** Zablkovaný pilový list se může zlomit nebo může způsobit zpětný ráz.
- **Po dokončení řezu vypněte nářadí a, jakmile se pilový list zcela zastaví, vytáhněte jej z řezu.** Tímto způsobem můžete zabránit zpětnému rázu a můžete bezpečně odložit nářadí.
- **Používejte pouze nepoškozené pilové listy, které jsou v perfektním stavu.** Ohnuté nebo tupé pilové listy se mohou zlomit, budou negativně ovlivňovat kvalitu řezu nebo budou způsobovat zpětné rázy.
- **Nezastavujte pilový list po vypnutí nářadí vyvíjením bočního tlaku na tento pilový list.** Pilový list

může být poškozen, zlomen nebo může způsobit zpětný ráz.

- **Použijte vhodné detektory pro detekci skrytých inženýrských sítí v pracovním prostoru nebo požádejte o pomoc rozvodnou společnost.**

Kontakt s elektrickým vedením může způsobit požár a úraz elektrickým proudem. Poškození plynového potrubí může způsobit výbuch. Narušení vodovodního potrubí může mít za následek poškození majetku.

- **Zajistěte obrobek.** Obrobek upevněný v upínacím zařízení nebo ve svěráku je zajištěn lépe než při držení rukou.
- **Před odložením nářadí vždy počkejte, dokud nedojde k jeho úplnému zastavení.** Pilový list se může zablokovat, což může vést k ztrátě kontroly nad tímto elektrickým nářadím.
- **Použijte svorky nebo jiný praktický způsob, jak podepřít obrobek a zajistit ho na stabilní podložce.** Když držíte obrobek rukou nebo opřený o tělo, zůstává nestabilní a můžete nad ním ztratit kontrolu.

BEZPEČNOSTNÍ VAROVÁNÍ PRO AKUMULÁTORY

- a) **Akumulátor nerozebírejte.** Nebezpečí zkratu.
- b) **Chraňte akumulátor před teplem, např. před nepřetržitým intenzivním slunečním světlem, ohněm, vodou a vlhkostí.** Nebezpečí výbuchu.
- c) **V případě poškození a nesprávného použití akumulátoru se mohou uvolňovat výpary. V případě potíží vyvětrejte místnost a vyhledejte lékařskou pomoc.** Výpary mohou dráždit dýchací ústrojí.
- d) **Používejte tento akumulátor výhradně s výrobkem značky Vonroc.** Toto opatření samo o sobě chrání akumulátor před nebezpečným přetížením.
- e) **Akumulátor může být poškozen ostrými předměty, jako například hřebíky nebo šroubováky, nebo větší silou.** Může dojít k vnitřnímu zkratu a vznícení, vzniku kouře, výbuchu nebo přehřátí akumulátoru.

BEZPEČNOSTNÍ VAROVÁNÍ PRO NABÍJEČKU Zamýšlené použití

Touto nabíječkou nabíjejte výhradně akumulátorové moduly typu CD801AA a CD803AA. Ostatní typy akumulátorů mohou prasknout a způsobit zranění a poškození.

- a) Tento výrobek není určen k použití osobami (včetně dětí) se sníženými fyzickými, smyslovými nebo duševními schopnostmi, nebo s nedostatkem zkušeností a znalostí, pokud jim nebyl stanoven dohled nebo pokud jim nebyly poskytnuty potřebné instrukce.
- b) Děti musí být pod dozorem, aby si s tímto zařízením nehrály.
- c) Nenabíjejte baterie, které nejsou k nabíjení určeny!
- d) Během nabíjení musí být akumulátory umístěny na dobře větraném místě!

2. INFORMACE O ZAŘÍZENÍ

Zamýšlené použití

Toto nářadí je určeno pro řezání dřeva, kovů, plastů, keramiky, pryže atd., na jakýkoli požadovaný rozměr a tvar v případě, kdy je deska základny opřena pevně o obrobek. Vždy musí být použit vhodný pilový list.

TECHNICKÉ ÚDAJE



Tato uživatelská příručka platí pro různá čísla zboží / různé sady. V níže uvedené tabulce specifikací si můžete ověřit správný obsah vaší sady podle odpovídajícího čísla.

Číslo modelu	Akumulátory v dodávce	Nabíječky v dodávce
JS501DC	-	-
S_JS501DC	CD801AA	CD802AA
S2_JS501DC	2 x CD801AA	CD802AA
S3_JS501DC	CD803AA	CD802AA
S4_JS501DC	CD801AA	CD802AA

Informace o nářadí	
Jmenovité napětí	20 V
Otáčky naprázdno	0–2500/min
Zdvih pilového listu	25 mm
Maximální kapacita řezu do dřeva 0°	50 mm
Maximální kapacita řezu do oceli 0°	8 mm
Hmotnost	1,85 kg
Akustický tlak LPA	82,0 dB(A), K = 3 dB(A)

Informace o nářadí	
Akustický výkon LWA	93,0 dB(A), K = 3 dB(A)
Vibrace při řezání plechů	5,459 m/s ² K = 1,5 m/s ²
Vibrace při řezání překližky	5,658 m/s ² K = 1,5 m/s ²

Číslo modelu	CD801AA
Typ akumulátoru	Lithium-Ion
Napětí	20 V
Kapacita	2,0 Ah
Doporučená nabíječka	CD802AA
Hmotnost	0,3 kg

Číslo modelu	CD802AA
Vstup nabíječky	220–240 V, 50 Hz 0,4 A
Výstup nabíječky	21V 2,5 A
Doba nabíjení 2Ah akumulátoru	60 minut
Doba nabíjení 4Ah akumulátoru	120 minut
Doporučené akumulátory	CD801AA, CD803AA
Hmotnost	0,36 kg

Číslo modelu	CD803AA
Typ akumulátoru	Lithium-Ion
Napětí	20 V
Kapacita	4,0 Ah
Doporučená nabíječka	CD802AA
Hmotnost	0,65 kg

Používejte pouze následující akumulátory z platformy VONROC VPOWER 20 V. Použití jakýchkoliv jiných akumulátorů může způsobit vážné zranění nebo poškození nářadí.

CD801AA 20 V, 2Ah lithium-iontový
 CD803AA 20 V, 4Ah lithium-iontový

Pro nabíjení těchto akumulátorů se může používat následující nabíječka.

CD802AA Rychlonabíječka

Akumulátory platformy VONROC VPOWER 20V se mohou používat ve všech akumulátorových nářadích na platformě VONROC VPOWER 20V.

Úroveň vibrací

Deklarovaná úroveň vibrací uvedená v tomto návodu byla měřena v souladu se standardní zkušební metodou předepsanou normou EN 62841. Tato úroveň vibrací může být použita pro srovnání jednotlivých nářadí mezi sebou a také při předběžném posouzení působících vibrací při používání nářadí při uvedených.

- Použití tohoto nářadí pro jiné aplikace nebo s odlišným nebo špatně udržovaným příslušenstvím může značně zvýšit působení vibrací.
- Doba, kdy je nářadí vypnuto nebo kdy je v chodu, ale aktuálně nevykonává žádnou práci, může působení vibrací značně zmírnit.

Chraňte se před působením vibrací prováděním řádné údržby tohoto nářadí i jeho příslušenství, udržujte ruce v teple a provádějte práci správným způsobem.

POPIS

Čísla v následujícím textu odkazují na obrázky na stranách 2-4.

1. Odjišťovací tlačítko
2. Vypínač
3. Rukojeť
4. Akumulátor
5. Tlačítko pro uvolnění akumulátoru
6. Spínač předkmitu
7. Měřítko úhlů šikmého řezu
8. Kryt základny
9. Základna
10. Vodicí kladka
11. Spínač laseru
12. Kryt
13. Zajišťovací páčka
14. Křídlové šrouby paralelního vodička
15. Šestihranný klíč
16. Sklíčidlo
17. Pilový list
18. Šroub základny
19. Paralelní vodičko
20. Laser
21. Značka řezu
22. Seřizovací šroub laseru
23. Tlačítko LED indikátorů akumulátoru
24. LED indikátory akumulátoru
25. Nabíječka
26. LED indikátory nabíječky

3. SESTAVENÍ



Před zahájením jakékoliv práce na elektrickém nářadí vyjměte z tohoto nářadí akumulátor.



Před prvním použitím musí být akumulátor nabit.

Vložení akumulátoru do stroje (obr. A, G)



Před vložením do nabíječky nebo do nářadí zkontrolujte, že je povrch akumulátoru čistý a suchý.

1. Zasuňte akumulátor (4) do základny nářadí, jak je zobrazeno na obr. C.
2. Zatlačte akumulátor až na doraz, aby se řádně zajistil.

Vyjmutí akumulátoru ze stroje (obr. A, G)

1. Stiskněte tlačítko pro uvolnění akumulátoru (5)
2. Vytáhněte akumulátor z nářadí, jak je zobrazeno na obr. G.

Kontrola stavu nabití akumulátoru (obr. I)

- Chcete-li zkontrolovat stav nabití akumulátoru, krátce stiskněte tlačítko (23) na akumulátoru.
- Akumulátor je vybaven 3 kontrolkami, které indikují stav jeho nabití: čím více kontrolky svítí, tím více je akumulátor nabit.
- Pokud tyto kontrolky nesvítí, znamená to, že je akumulátor vybitý a musíte ho okamžitě nabít.

Nabíjení akumulátoru pomocí nabíječky (obr. I)

1. Vyjměte akumulátor (4) ze stroje.
2. Obráťte akumulátor (4) spodní stranou nahoru a zasuňte ho do nabíječky (25), jak je zobrazeno na obr. I.
3. Zatlačte na akumulátor, dokud není zcela zasunut do slotu.
4. Připojte zástrčku nabíječky do elektrické zásuvky a chvíli počkejte. LED indikátory na nabíječce (26) se rozsvítí a zobrazí aktuální stav nabití akumulátoru.

Tato nabíječka je vybavena 2 LED indikátory (26), které indikují stav procesu nabíjení:

Stav červené LED	Stav zelené LED	Stav nabíječky
Nesvítí	Nesvítí	Žádné napájení

Stav červené LED	Stav zelené LED	Stav nabíječky
Nesvítí	Svítí	Pohotovostní režim: - Není vložen žádný akumulátor nebo - Akumulátor je vložen, ale nabíjení skončilo
Svítí	Nesvítí	Probíhá nabíjení akumulátoru

- Úplné nabití 2Ah akumulátoru může trvat až 60 minut.
- Úplné nabití 4Ah akumulátoru může trvat až 120 minut.

Jakmile bude akumulátor zcela nabit, odpojte zástrčku kabelu nabíječky ze zásuvky a vyjměte akumulátor z nabíječky.



Nebude-li tento stroj používán delší dobu, dohlédněte na to, aby akumulátor byl před uložením nabit.

Výměna pilového listu (obr. A, C)



Při manipulaci s pilovým listem používejte rukavice. Nebezpečí zranění při kontaktu s pilovým listem.



Používejte pouze pilové listy, které splňují požadavky technických údajů uvedených v tomto návodu.

Nasazení pilového listu



Ujistěte se, zda v držáku pilového listu nejsou žádné nečistoty (jako dřevěné nebo kovové piliny).

1. Otočte upínací páčku (13) pokud možno co nejvíce doleva a držte ji v této poloze.
2. Vložte pilový list do držáku (16). Zkontrolujte, zda je pilový list v držáku bezpečně upevněn a zda jeho zuby směřují dolů.
3. Pusťte upínací páčku. Zkontrolujte, zda je zadní část pilového listu umístěna uprostřed vodící kladky (10).

Dohlédněte na to, abyste pro daný materiál použili správný pilový list. S touto pilou je dodáván pilový list s hrubými zuby na dřevo a pilový list s jemnými zuby na kovy a plasty.

Vyjmutí pilového listu

1. Otočte upínací páčku (13) pokud možno co nejvíce doleva a držte ji v této poloze.
2. Vyjměte pilový list z držáku (16).
3. Pusťte upínací páčku.

Upevnění paralelního vodítka (obr. D)

1. Povolte křídlové šrouby (14).
2. Namontujte paralelní vodítko (19) na základnu (9).
3. Pomocí měřítka na paralelním vodítku (14) a značky řezu na základně (20) nastavte požadovanou šířku řezu. Tato značka řezu (20) indikuje polohu pilového listu.
4. Utáhněte křídlový šroub (14).

4. OVLÁDÁNÍ

Zapnutí a vypnutí nářadí (obr. A)

Vypínač (2) slouží k zapnutí nářadí a pro nastavení otáček.

- Chcete-li spustit toto nářadí, stiskněte a držte odjišťovací tlačítko (1) a stiskněte vypínač (2).
- Čím více vypínač stisknete (2), tím rychleji se bude pilový list pohybovat. Požadované otáčky závisí na zpracovávaném materiálu a mohou být určeny praktickou zkouškou.
- Chcete-li nářadí vypnout, uvolněte spínač zapnuto/vypnuto (2).

Zapnutí a vypnutí laseru (obr. A)

- Stisknutím spínače laseru (11) ho můžete zapnout nebo vypnout. Spínač laseru (11) zapíná také pracovní LED svítílnu.

Jemné nastavení laseru

Poznámka: Chcete-li vyzkoušet funkci laseru, do nářadí musí být vložen akumulátor.



Při seřizování laseru nikdy nezapínejte vypínač. Náhodné spuštění elektrického nářadí může vést k způsobení zranění.

Přestane-li laser (11) správně ukazovat čáru řezu, můžete laser znovu nastavit. Při tomto úkonu otáčejte seřizovacím šroubem laseru (22) a seřídte laser tak, aby správně indikoval čáru řezu.

Nastavení úhlu šikmého řezu (obr. B, F)

1. Povolte šroub základny (18) pomocí šestihranového klíče (15).

- Nastavte základnu (9) do požadované polohy (0° až 45°). Úhel řezu (šikmého) může být odečítán na měřítku (7).
- Utáhněte šroub (7) pomocí šestihranného klíče (15). Šestihranný klíč může být uložen na nářadí, jak je zobrazeno na obr. B.

Nastavení předkmitu (obr. A)

Spínač předkmitu je používán pro nastavení způsobu, jakým se budou pohybovat zuby pilového listu v řezaném materiálu. Spínač předkmitu může být nastaveno do 4 poloh:

0 – Žádný předkmit

1 – Malý předkmit

2 – Střední předkmit

3 – Velký předkmit

Požadovaný předkmit může být určen pomocí praktického zkoušení a při dodržování následujících pokynů:

- Měkký materiál (dřevo, plasty atd.): nastavte předkmit na polohu II nebo III. Pro jemnější a čistější řezy používejte polohu 0 nebo I.
- Tenké materiály, používejte polohu předkmitu 0.
- Tvrdé materiály (ocel atd.): nastavte předkmit na polohu 0.
- Obloukové řezy: nastavte předkmit na polohu 0.

Ponorné řezy (obr. H)

Ponorné řezy mohou být použity pouze na měkkých materiálech, jako je dřevo, pórobeton, sádrokartonové desky atd. Vyžaduje to ovšem určitou praxi a je to možné pouze s krátkými pilovými listy.

- Položte pilu na obrobek a zapněte ji.
- Ujistěte se, zda se spodní hrana základny opírá o povrch obrobku, jak ukazuje obrázek G.
- Pomalou řezte šikmo do obrobku, nastavujte pilu do svislé polohy a potom pokračujte v řezání podél čáry řezu.
- Jakmile bude práce dokončena, vypněte pilu a zvedněte ji z obrobku.

Optimální použití

- Upněte si obrobek. Pro malé obrobky používejte upínací zařízení.
- Nakreslete si čáru, která bude určovat směr, jakým bude veden pilový list.
- Držte nářadí pevně za rukojeť.
- Nastavte rychlost řezání.
- Nastavte úhel pokosového řezu.
- Zapněte nářadí.

- Počkejte, dokud nářadí nedosáhne maximálních otáček.
- Položte základnu pily na obrobek.
- Pomalou vedte nářadí podél nakreslené čáry a pevně přitlačujte základnu pily na obrobek.
- Nevyvíjejte na toto nářadí příliš velký tlak. Nechejte nářadí pracovat jeho vlastním tempem.
- Před odložením nářadí vypněte a počkejte, dokud nedojde k úplnému zastavení jeho pracovního příslušenství.

5. ÚDRŽBA



Před čištěním a prováděním údržby vždy stroj vypněte a vyjměte z něj akumulátor.

Pravidelně čistěte kryt zařízení jemným hadříkem, ideálně po každém použití. Ujistěte se, že nejsou větrací otvory zaneseny prachem nebo jinými nečistotami. Odolnější nečistoty odstraňte pomocí jemného hadříku navlhčeného v mýdlové pěně. Nepoužívejte žádná rozpouštědla, jako je benzín, líh, čpavek atd. Takové chemické látky mohou způsobit poškození dílů z umělé hmoty.

OCHRANA ŽIVOTNÍHO PROSTŘEDÍ



Poškozená a likvidovaná elektrická nebo elektronická zařízení musí být odevzdána ve sběrných dvorech, které jsou určeny pro tento účel.

Pouze pro země EU

Nevyhazujte elektrická nářadí do běžného domácího odpadu. Podle evropské směrnice 2012/19/EC týkající se likvidace elektrických a elektronických zařízení a její implementace do vnitrostátního práva, musí být nepoužívaná elektrická nářadí shromažďována odděleně a jejich likvidace musí být provedena tak, aby nedošlo k ohrožení životního prostředí.

ZÁRUKA

Výrobky VONROC jsou vyvíjeny v souladu s požadavky norem na nejvyšší kvalitu a je zaručeno, že po dobu platné záruky, která začíná běžet dnem původního nákupu, nebudou na těchto výrobcích žádné vady materiálu, ani vady způsobené špatným dílenským zpracováním. Dojde-li během tohoto období k závadě v důsledku vady materiálu nebo dílenského zpracování, kontaktujte přímo firmu VONROC.

Z této záruky jsou vyloučeny následující případy:

- Opravy nebo úpravy tohoto zařízení byly provedeny nebo byly provedeny pokusy o jejich provedení v neautorizovaných servisech;
- Běžné opotřebení;
- Toto zařízení bylo nesprávně použito, nevhodně použito nebo nebyla prováděna jeho správná údržba;
- Byly použity neoriginální náhradní díly.

Výše uvedené představuje jedinou záruku poskytovanou společností, ať už výslovnou nebo předpokládanou. Neexistují žádné další záruky, výslovné ani nebo předpokládané, které přesahují rámec zde uvedeného, včetně předpokládaných záruk prodejnosti a vhodnosti pro určitý účel. VONROC v žádném případě neodpovídá za jakékoliv náhodné nebo následné škody. Opravné prostředky prodejců se omezují výhradně na opravu nebo výměnu nevyhovujících jednotek nebo dílů.

Na tomto výrobku a v tomto návodu mohou být prováděny změny. Technické údaje mohou být změněny bez předchozího upozornění.

1. GÜVENLİK TALİMATLARI

Ekteki güvenlik uyarılarını, ilave güvenlik uyarılarını ve talimatları okuyun. Güvenlik uyarılarını ve talimatları izlememek elektrik çarpması, yangın ve/veya ciddi yaralanma ile sonuçlanabilir. Güvenlik uyarılarını ve talimatları ilerde bakmak üzere muhafaza edin.

Aşağıdaki semboller kullanıcı kılavuzunda veya ürün üzerinde kullanılmaktadır:



Kullanıcı kılavuzunu okuyun.



Bedensel yaralanma riski.



Başta çocuklar ve evcil hayvanlar olmak üzere etrafta bulunanları yaklaşık 10 m'den daha uzak mesafede tutun.



Göz koruması giyin.



Duyma koruması takın.



Bir toz maskesi takın.



Tehlike Bölgesi! Makine çalışırken elinizi kesme alanından uzak tutun (10 cm). Testere bıçağına temas ettiğinizde yaralanma tehlikesi mevcuttur.



Lazer radyasyonu uyarısı.



Gecikmeli minyatür sigorta bağlantısı.



Maksimum sıcaklık 45 °C.



Pili ateşe atmayın.



Pili suya atmayın.



Ürün, Avrupa yönergelerindeki geçerli güvenlik standartlarına uygundur.



Ürün, Avrupa yönergelerindeki geçerli güvenlik standartlarına uygundur.

GENEL ELEKTRIKLI ALET GÜVENLİK UYARILARI



UYARI Tüm güvenlik uyarılarını ve tüm talimatları okuyun. Uyarılara uyulmadı ve talimatlar elektrik çarpmasına, yangına ve/veya ciddi yaralanmalara neden olabilir.

Tüm uyarıları ve talimatları gelecekte başvurmak üzere saklayın.

Uyarılardaki "elektrikli alet" terimi, şebeke elektriği ile çalışan (kablolu) elektrikli alet veya pil ile çalışan (kablesiz) elektrikli alet anlamına gelir.

1) İş aşanı güvenliği

- İş alanını temiz ve aydınlık tutun.** Dağınık veya karanlık bölgeler, kazalara davetiye çıkarır.
- Elektrikli aletleri, yanıcı sıvıların, gazların veya tozun var olduğu patlayıcı atmosferlerde kullanmayın.** Elektrikli aletler, tozu veya dumanları ateşleyebilecek kıvılcımlar oluşturur.
- Bir elektrikli aleti kullanırken, çocukları ve çevredekileri uzak tutun.** Dikkatiniz dağılırsa kontrolü kaybedebilirsiniz.

2) Elektrik güvenliği

- Elektrikli alet fişleri, prize uygun olmalıdır. Fişi, hiçbir şekilde modifiye etmeyin. Topraklı elektrikli aletlerle, herhangi bir fiş adaptörü kullanmayın.** Modifiye edilmemiş fişler ve buna uygun prizler, elektrik çarpması riskini azaltır.
- Borular, radyatörler, ocaklar ve buzdolapları gibi topraklı yüzeylerle temastan kaçınin.** Eğer vücudunuz topraklanmışsa, elektrik çarpması riski daha fazla olur.
- Elektrikli aletleri yağmura veya ıslaklığa maruz bırakmayın.** Bir elektrikli alete su girmesi durumunda, elektrik çarpması riski artacaktır.
- Kabloya kötü davranmayın. Kabloyu taşıma amacıyla, elektrikli aleti ya da elektrikli aletin fişini çekmek için kullanmayın. Kabloyu ısıdan, yağdan, keskin kenarlardan ya da hareketli parçalardan uzak tutun.** Hasar görmüş ya da dolmuş kablolar, elektrik çarpması riskini artırır.
- Bir elektrikli aleti dış mekanlarda kullanırken, dış mekan kullanımına uygun bir uzatma kablosu kullanın.** Dış mekan kullanımına uygun ir kablo kullanıldığında, elektrik çarpması riski azalır.
- Elektrikli aleti nemli bir konumda çalıştırmak kaçınılmazsa, kaçak akım cihazı (RCD) korumalı bir kaynak kullanın.** RCD kullanımı elektrik çarpması riskini azaltır.

3) Kişisel güvenlik

- Elektrikli aleti kullanırken tetikte kalın, ne yaptığınıza dikkat edin ve sağduyulu davranın. Bir elektrikli aleti yorgun olduğunuzda ya da uyuşturucu, alkol veya ilaç etkisindeyken kullanmayın.** Elektrikli aleti kullanırken bir anlık dikkatsizlik ciddi kişisel yaralanmalara neden olabilir.

- Kişisel koruyucu donanım kullanın. Her zaman göz koruması takın.** Uygun durumlar için kullanılan toz maskesi, kaymaz güvenlik ayakkabıları, baret veya kulak tıkacı gibi koruyucu donanımlar, kişisel yaralanma riskini azaltacaktır.
- Kasıtsız çalışmayı önleyin. Bir elektrik kaynağını ve/veya pil takımını bağlamadan, aleti kaldırmadan ya da taşımadan önce elektrikli aletin anahtarının kapalı durumda olduğundan emin olun.** Elektrikli aletleri parmağınız anahtar üzerindeyken taşımak veya anahtarı açık elektrikli aletleri harekete geçirmek kazalara davetiye çıkarır.
- Elektrikli aleti açık duruma getirmeden önce her türlü ayar anahtarını çıkarın.** Elektrikli aletin dönen bir parçasında kalan bir anahtar, kişisel yaralanmalara neden olabilir.
- Fazla uzanmayın. Ayaklarınızı sağlam basın ve her zaman dengeli olun.** Böylece beklenmeyen durumlarda elektrikli aleti daha iyi kontrol edebilirsiniz.
- Uygun kıyafetler giyin. Bol kıyafetler giymeyin, takılar takmayın. Saçınızı, kıyafetlerinizi ve eldivenlerinizi, hareketli parçalardan uzak tutun.** Bol kıyafetler, takılar veya uzun saç, hareketli parçalara takılabilir.
- Eğer cihazlar toz giderme ve toplama tesislerinin bağlantısı için sağlanmışsa, bunların bağlandığından ve düzgün bir şekilde kullanıldığından emin olun.** Toz toplama ile tozla ilgili tehlikeleri azaltılabilir.
- Aletlerin sık kullanılmasından edindiğiniz bilgi birikiminin sizi aşırı rehavete sürüklemesine izin vermeyin ve araç güvenliği ilkelerini göz ardı etmeyin.** Dikkatsiz bir hareket, bir saniyeden bile kısa sürede ciddi yaralanmalara neden olabilir.

4) Elektrikli alet kullanımı ve bakımı

- Elektrikli aleti zorlamayın. Uygulanamaz için doğru elektrikli aleti kullanın.** Doğru elektrikli alet, tasarıma uygun olarak işi daha iyi yapacaktır.
- Eğer anahtarlar açılıp kapatılamıyorsa, elektrikli aleti kullanmayın.** Anahtarla kumanda edilemeyen elektrikli aletler tehlikelidir ve tamir edilmelidir.
- Herhangi bir ayar, aksesuar değişimi ya da depolama işleminden önce elektrikli aletin fişini elektrik kaynağından çıkarın ve/veya pil takımını elektrikli alettten çıkarın.** Bu tür önleyici güvenlik önlemleri, elektrikli aletin kazara çalışma riskini azaltır.

- d) **Boş durumdaki elektrikli aletleri çocukların erişemeyeceği bir yerde muhafaza edin ve elektrikli aletin nasıl çalıştığını ya da bu talimatları bilmeyen kişilerin elektrikli aleti kullanmasına izin vermeyin.** Elektrikli aletler, eğitimsiz kullanıcıların elinde tehlikeli olur.
- e) **Elektrikli aletlerin bakımını yapın. Hatalı ayarlar veya hareketli parçaların bağlanması, parça kırılmaları ve elektrikli aletin çalışmasını etkileyecek diğer durumlar için kontrol gerçekleştirin. Eğer herhangi bir hasar varsa, elektrikli alet kullanılmadan önce tamir edilmelidir.** Çoğu kazaya bakımı iyi yapılmayan elektrikli aletler neden olur.
- f) **Kesme aletlerini keskin ve temiz tutun.** Bakımı iyi yapılan ve keskin kenarlara sahip kesme aletlerinde donmalar daha az yaşanır ve kontrol edilmeleri daha kolay olur.
- g) **Elektrikli aleti, aksesuarlarını ve torna kalemlerini bu talimatlara uygun olarak kullanın, çalışma koşullarını ve gerçekleştirilecek olan işi dikkate alın.** Elektrikli aletin kullanım amacı dışında kullanılması, tehlikeli durumlarla sonuçlanabilir.
- h) **Tutamakları ve tutma yerlerini kuru, temiz ve yağdan arındırılmış şekilde muhafaza edin.** Kaygan tutamaklar ve tutma yerleri, beklenmedik durumlarda aletin güvenli şekilde taşınmasına ve kontrol edilmesine izin vermez.
- 5) Pili alet kullanımı ve bakımı**
- a) **Yalnızca üretici tarafından belirtilen şarj aletiyle şarj edin.** Bir türde pil takımı için uygun bir şarj cihazı, başka bir pil takımı ile kullanıldığında yangın riski oluşturabilir.
- b) **Elektrikli aletleri yalnızca özel olarak belirlenmiş pil takımlarıyla kullanın.** Başka pil takımlarının kullanımı yaralanma ve yangın riski oluşturabilir.
- c) **Pil takımı kullanılmadığı zamanda, ataşlar, bozuk paralar, anahtarlar, çiviler, vidalar veya diğer küçük metal nesnelere gibi bir uçtan diğerine bir bağlantı yapabilecek diğer metal nesnelere uzak tutun.** Pil uçlarını birbirine kısa devre yaptırmak yanıklara veya yangına neden olabilir.
- d) **Bozulma durumlarında pilden sıvı çıkabilir; temastan kaçının. Kazara temas gerçekleşirse, suyla yıkayın. Sıvı gözlerle temas ederse ayrıca tıbbi yardım isteyin.** Pilden çıkan sıvı tahriş veya yanıklara neden olabilir.
- e) **Hasarlı veya üzerinde değişiklik yapılmış bir batarya veya aleti kullanmayın.** Hasarlı veya üzerinde değişiklik yapılmış bataryalar, yangın, patlama ya da yaralanma riskiyle sonuçlanan beklenmedik davranışlar sergileyebilir.
- f) **Batarya veya aleti ateşe veya aşırı sıcaklığa maruz bırakmayın.** Ateşe veya 130 °C üzeri sıcaklıklara maruz kalması patlamaya yol açabilir. NOT Sıcaklık birimi olarak kullanılan „130 °C“ yerine „265 °F“ kullanılabilir.
- g) **Tüm şarj talimatlarına uyun ve batarya veya aleti talimatlarda belirtilen sıcaklık aralığının dışındaki ortamlarda şarj etmeyin.** Yanlış şekilde veya belirtilen aralığın dışındaki sıcaklıklarda şarj etmek bataryaya zarar verebilir ve yangın riskini artırabilir.
- 6) Servis**
- a) **Elektrikli aletinizin servis işlemlerini, yalnızca aynı yedek parçaları kullanan vasıflı bir tamircinin yapmasını sağlayın.** Bu, elektrikli aletin güvenliğini korumasını sağlayacaktır.
- b) **Hasarlı bataryalara asla kendiniz bakım yapmaya çalışmayın.** Bataryadaki bakım işlemleri sadece üretici veya yetkili servisler tarafından yapılmalıdır.

DEKUPAJ TESTERELER İÇİN GÜVENLİK UYARILARI

- **Lazer radyasyonu uyarısı.** Lazer sınıfı 2, P maks.: <1 mW, λ: 650 nm, EN 60825-1:2014. Doğrudan lazer ışınına veya ortaya çıktığı çıkış yerine bakmayın. Lazer ışınına asla insanlara, hayvanlara veya yansıtıcı yüzeylere doğrultmayın. Kısa süreli göz teması bile göz hasarına neden olabilir. Lazer çıkış açıklığının optik aletlerin (örneğin büyüteç, büyüteçler ve benzeri) kullanılmasıyla incelenmesi, göze zarar gelmesi riskini doğurur. Sınıf 2 bir lazerle çalışırken, göz koruması kullanımına dönük ulusal düzenlemelere uyun.
- **Bir işlem sırasında kesme aleti gizli kablolarla temas edebileceği için kesim aksesuarını yalıtımlı tutma yüzeylerinden tutun.** Kesici aletin, “elektrik akımı” bulunan kablolarla temas halinde “akım”, elektrikli aletin iletken metal parçaları üzerinden operatöre iletilerek elektrik çarpmasına yol açabilir.
- **Ellerinizi kesim alanından uzak tutun.** Üzerinde çalıştığınız parçaya altından ulaşmayı denemeyin. Testere bıçağı ile temas yaralanmalara neden olabilir.

- **Makineyi ancak çalıştırıldıktan sonra iş parçasına doğru ilerletin.** Aksi halde, kesici alet iş parçasında sıkıştığında geri tepme tehlikesi vardır.
- **Kesim yapılrken taban plakasının malzemeye sağlam bir şekilde oturmasına dikkat edin.** Sıkışmış bir testere bıçağı kırılabilir veya geri tepmeye neden olabilir.
- **Kesim tamamlandığında, makineyi kapatın ve ardından testere bıçağını kesilen yerden ancak durduktan sonra çekin.** Bu şekilde geri tepmeyi önleyebilir ve makineyi güvenli bir şekilde yerleştirebilirsiniz.
- **Sadece hasar görmemiş, mükemmel durumda olan testere bıçaklarını kullanın.** Kıvrılmış veya körelmiş testere bıçakları kırılabilir, kesimi olumsuz etkileyebilir veya geri tepmeye neden olabilir.
- **Kapattıktan sonra yandan baskı uygulayarak testere bıçağını durdurmayın.** Testere bıçağı zarar görebilir, kırılabilir veya geri tepmeye neden olabilir.
- **Çalışma alanında gizli tesisat hattı olup olmadığını belirlemek için uygun detektörler kullanın veya yardım için yerel kamu hizmet şirketini arayın.** Elektrik hatları ile temas yangına ve elektrik çarpmasına neden olabilir. Bir doğalgaz hattının hasar görmesi patlamaya neden olabilir. Su hattını delmek maddi hasara neden olur.
- **İş parçasını sabitleyin.** Kelepçeleme aletleriyle veya bir mengene ile sıkıştırılmış bir iş parçası, elle olduğundan daha güvenli tutulur.
- **Makineyi yere koymadan önce tamamen durmasını bekleyin.** Alet ek parçası sıkışabilir ve elektrikli alet üzerinde kontrol kaybına yol açabilir.
- **İş parçasını sabit bir platforma sıkıca tutturmak ve desteklemek için kelepçeler veya başka bir pratik yöntem kullanın.** İş parçasını elle tutmak veya vücudunuza dayamak dengesiz durmasını neden olur ve bu da kontrol kaybına yol açabilir.

BATARYA İÇİN GÜVENLİK UYARILARI

- a) **Bataryanın içini açmayın.** Kısa devre tehlikesi.
- b) **Bataryayı ısıya, sürekli yoğun güneş ışığına, yangına, suya ve neme karşı koruyun.** Patlama tehlikesi.
- c) **Bataryanın hasar görmesi ve yanlış kullanılması durumunda duman çıkabilir. Bölgeyi havalandırın ve şikayet durumunda tıbbi yardım alın.** Duman solunum sistemini tahriş edebilir.
- d) **Bataryayı sadece Vonroc ürününüzle bağlantılı olarak kullanın.** Bu önlem tek başına bataryayı tehlikeli aşırı yüklenmeye karşı korur.
- e) **Batarya, çivi veya tornavida gibi sivri uçlu**

nesnelere veya dışarıdan uygulanan kuvvetten ötürü zarar görebilir. Dahili bir kısa devre oluşabilir ve batarya yanabilir, duman çıkabilir, patlayabilir veya aşırı ısınabilir.

ŞARJ ALETİ İÇİN GÜVENLİK UYARILARI

Kullanım amacı

Şarj aleti ile yalnızca CD801AA ve CD803AA tipi Şarj edilebilir bataryaları şarj edin. Diğer pil türleri patlayarak fiziksel yaralanma ve hasara neden olabilir.

- a) **Cihaz, gözetim veya talimat verilmedikleri takdirde kısıtlı düzeyde fiziksel, duyuusal veya zihinsel becerilere sahip olan veya deneyim ve bilgiden yoksun bulunan kişiler (çocuklar dahil) tarafından kullanılmalıdır.**
- b) **Çocuklar cihazla oynamaları için gözetim altında tutulmalıdır.**
- c) **Şarj edilebilir olmayan özellikte pilleri şarj etmeyin!**
- d) **Şarj sırasında piller iyi havalandırılmalı bir bölgeye yerleştirilmelidir!**

2. MAKİNE BİLGİSİ

Kullanım amacı

Makine, taban plakasını iş parçası üzerinde sıkıca tutarken istenen herhangi bir büyüklükte ve şekilde ahşap, metal, lastik, seramik, kauçuk vb. kesmek için tasarlanmıştır. Her zaman uygun bir testere bıçağı kullanılmalıdır.

TEKNİK SPESİFİKASYONLAR




Bu kılavuz farklı takımlar/ürün numaraları için hazırlanmıştır. Takımınızın doğru bileşenleri ve içeriği için aşağıdaki özellikler tablosundaki ilgili ürün numarasına bakın.


Model No.	Batarya dahildir	Şarj cihazları dahildir
JS501DC	-	-
S_JS501DC	CD801AA	CD802AA
S2_JS501DC	2 x CD801AA	CD802AA
S3_JS501DC	CD803AA	CD802AA
S4_JS501DC	CD801AA	CD802AA


Makine bilgisi

Şebeke voltajı	20V
Yüksüz devir	0-2500/min

Makine bilgisi	
Testere vuruşu	25mm
Maks. testere kapasitesi ahşap 0°	50mm
Maks. testere kapasitesi çelik 0°	8mm
Ağırlık	1,85 kg
Ses basıncı seviyesi LPA	82,0 dB(A), K=3dB(A)
Ses şiddeti seviyesi LWA	93,0 dB(A), K=3dB(A)
Vibrasyon 'Sac levhanın testere'	5,459 m/s ² K=1,5 m/s ²
Vibrasyon 'Kontrplak gördüm'	5,658 m/s ² K=1,5 m/s ²

Model No.	CD801AA
Pil tipi	Lityum-İyon
Voltajı	20V 
Kapasitesi	2,0 Ah
Önerilen şarj cihazı	CD802AA
Ağırlık	0,3 kg

Model No	CD802AA
Şarj cihazı girişi	220-240V,50Hz 0,4A
Şarj cihazı çıkışı	21V  2,5A
Şarj süresi 2Ah batarya	60 dakika
Şarj süresi 4Ah batarya	120 dakika
Önerilen bataryalar	CD801AA, CD803AA
Ağırlık	0,36 kg

Model No	CD803AA
Pil tipi	Lityum-İyon
Voltajı	20V 
Kapasitesi	4.0 Ah
Önerilen şarj cihazı	CD802AA
Ağırlık	0.65 kg

Sadece aşağıdaki VONROC POWER 20V batarya platformuna ait bataryaları kullanın. Başka batarya kullanmak, ciddi yaralanmalara neden olabilir veya alete zarar verebilir.

CD801AA 20V, 2Ah Lityum-İyon
CD803AA 20V, 4Ah Lityum-İyon

Bu bataryaları şarj etmek için aşağıdaki şarj aleti kullanılabilir.

CD802AA Hızlı şarj aleti

VONROC POWER 20V batarya platformuna ait bataryalar, tüm VONROC POWER 20V batarya platformu aletleriyle karşılıklı değiştirilebilir.

Vibrasyon seviyesi

Bu talimat kılavuzunda belirtilen vibrasyon emisyon seviyesi EN 62841 içinde verilen bir standart teste uygun olarak ölçülmüştür; bir aleti başka bir aletle karşılaştırmak için ve aleti adı geçen uygulamalar için kullanırken bir ilk maruz kalma değerlendirmesi olarak kullanılabilir

- aleti farklı uygulamalar için veya farklı ya da kötü bakılan aksesuarlarla kullanmak maruz kalma seviyesini büyük ölçüde artırabilir
- aletin kapalı olduğu veya çalışıp da gerçekten işi yapmadığı zamanlar maruz kalma seviyesini büyük ölçüde azaltabilir

Aletin ve aksesuarların bakımını yaparak, ellerinizi sıcak tutarak ve çalışma düzenlerinizi organize ederek vibrasyonun etkilerine karşı kendinizi koruyun.

AÇIKLAMA

Metindeki numaralar sayfa 2-4'deki çizimleri işaret etmektedir.

1. Kilitleme düğmesi
2. Açma / kapama düğmesi
3. Tutamak
4. Pil
5. Pil kilidini açma düğmesi
6. Sarkaç hareketi düğmesi
7. Eğim açısı için ölçek
8. Taban plakası kapağı
9. Taban plakası
10. Kılavuz silindiri
11. Lazer düğmesi
12. Siper
13. Kelepçeleme kolu
14. Paralel korkuluk kelebek civatası
15. Alyan anahtarı
16. Matkap kovanı
17. Testere bıçağı
18. Taban plakası civatası
19. Paralel korkuluk
20. Lazer
21. Kesme işareti

- 22. Lazer ataşman vidası
- 23. PİL LED göstergeleri düğmesi
- 24. PİL LED göstergeleri
- 25. Şarj aleti
- 26. Şarj aleti LED göstergesi

3. MONTAJ



Elektrikli alet üzerinde herhangi bir çalışma yapmadan önce, pili çıkarın.



İlk kullanımdan önce pil şarj edilmelidir.

Pilin makineye takılması (Şekil A, G)



Şarj aletine veya makineye bağlamadan önce pilin dış kısmının temiz ve kuru olmasını sağlayın.

1. Pili (4) Şekil G'de gösterildiği gibi makinenin alt kısmına takın.
2. Yerine oturana kadar pili daha ileriye itin.

Pilin makineden çıkartılması (Şekil A, G)

1. PİL kilit açma düğmesine (5) basın.
2. Pili Şekil G'de gösterildiği gibi makineden çıkartın.

Batarya şarj durumunun kontrol edilmesi (Şekil I)

- Batarya şarj durumunu kontrol etmek için, batarya üzerindeki düğmeye (23) kısa süreli basın.
- Batarya, şarj seviyesini belirten 3 ışığa sahiptir, ne kadar çok ışık yanarsa, bataryada o kadar çok şarj kalmış demektir.
- Işıklar yanmıyorsa batarya boş demektir ve hemen şarj edilmelidir.

Bataryanın şarj cihazıyla şarj edilmesi (Şekil I)

1. Bataryayı (4) makineden çıkartın.
2. Bataryayı (4) baş aşağı konuma çevirin ve Şekil F'de gösterildiği gibi şarj cihazının (25) üzerine kaydırın.
3. Yuvaya tamamen itilene kadar bataryayı itin.
4. Şarj cihazı fişini bir elektrik çıkışına takın ve bir süre bekleyin. Şarj cihazı (26) üzerindeki LED göstergeleri yanacak ve şarj durumunu gösterecektir

Şarj cihazı, şarj sürecinin durumunu gösteren 2 LED göstergesine (26) sahiptir.

Kırmızı LED Durumu	Yeşil LED Durumu	Şarj Cihazı
Kapalı	Kapalı	Güç yok
Kapalı	Açık	Bekleme modu: - Batarya yerleştirilmemiş veya, - Batarya yerleştirilmiş fakat şarj işlemi sona ermiş
Açık	Kapalı	Batarya şarja devam ediyor

- 2Ah bataryayı tam olarak şarj etmek 60 dakika sürebilir.
- 4Ah bataryayı tam olarak şarj etmek 120 dakika sürebilir.

Batarya tamamen şarj olduktan sonra şarj cihazı fişini prizden çıkarın ve bataryayı şarj cihazından çıkarın.



Makine daha uzun bir süre kullanılmadığında, bataryayı şarj edilmiş durumda saklamak en iyisidir.

Testere bıçağının değiştirilmesi (Şekil A, C)



Testere bıçağını monte ederken koruyucu eldiven kullanın. Testere bıçağına dokunulduğunda yaralanma tehlikesi.



Sadece kullanım talimatlarında verilen karakteristik verilere karşılık gelen testere bıçaklarını kullanın.

Testere bıçağının takılması



Bıçak tutucusunda malzeme artıkları (tahta kıymıkları veya metal gibi) bulunmadığından emin olun.

1. Kelepçeleme kolunu (13) mümkün olduğunca sola çevirin ve bu konumda tutun.
2. Testere bıçağını kovana (16) yerleştirin. Testere bıçağının sağlam bir şekilde sabitlendiğinden ve dişlerin aşağıya dönük olduğundan emin olun.
3. Kelepçeleme kolunu bırakın. Testere bıçağının yerine kilitlenip kilitlenmediğini kontrol edin.

İlgili malzeme için doğru testere bıçağını kullandığınızdan emin olun. Makine ile birlikte ahşap için kalın dişli bir testere bıçağı ve metal ve plastik için ince dişli bir testere bıçağı verilir.

Testere bıçağının çıkartılması

1. Kelepçeleme kolunu (13) mümkün olduğunca sola çevirin ve bu konumda tutun.
2. Testere bıçağını kovandan (16) çıkartın.
3. Kelepçeleme kolunu bırakın.

Paralel kılavuzun takılması (Şekil D)

1. Kelebek civatalarını (14) gevşetin.
2. Paralel korkuluğu (19) taban plakasına (9) yerleştirin.
3. Paralel kılavuzdaki ölçüğü (14) ve taban plakasındaki (20) kesme işaretini kullanarak istenen kesme genişliğini ayarlayın. Kesme işareti (20) testere bıçağının konumunu gösterir.
4. Kelebek civatalarını (14) sıkın.

4. ÇALIŞTIRMA**Makinenin açılması/kapatılması (Şekil A)**

Açma/kapama düğmesi (2) makineyi çalıştırmak ve hızı ayarlamak için kullanılır.

- Makineyi çalıştırmak için, kilitleme düğmesine (1) basılı tutun ve açma/kapama düğmesine (2) basın.
- Açma/kapama düğmesine (2) ne kadar çok basılırsa, bıçak o kadar hızlı hareket eder. Gerçekli hız, malzemeye bağlıdır ve pratik testlerle belirlenebilir.
- Makineyi durdurmak için açma/kapama düğmesini (2) bırakın.

Lazerin açılması/kapatılması (Şekil A)

- Lazeri açmak veya kapatmak için lazer düğmesine (11) basın. Lazer düğmesi (11) aynı zamanda LED çalışma ışığını da açar.

Lazerin inde ayarı

Not: Lazer işlevini test etmek için, pili alete takılması gerekir.



Lazeri ayarlarken, hiçbir zaman açma/kapama düğmesini etkinleştirmeyin. Elektrikli el aletinin yanlışlıkla çalıştırılması yaralanmalara neden olabilir.

Lazer (11) doğru kesim çizgisini göstermeyi bırakırsa, lazeri yeniden ayarlayabilirsiniz. Bunu yapmak için, lazer ayar vidasını (22) kullanın ve doğru kesim çizgisini gösterene kadar lazeri ayarlayın.

Eğim açısının ayarlanması (Şekil B, F)

1. Allen anahtarını (15) kullanarak civatayı (18) gevşetin.

2. Taban plakasını (9) istenen pozisyona (0°- 45°) ayarlayın. Kesme açısı (eğim) açısı göstergesinde (7) okunabilir.
3. Allen anahtarını (15) kullanarak civatayı (7) sıkın. Allen anahtarını, Şekil B'de gösterildiği gibi makinede saklamak mümkündür.

Sarkaç hareketinin ayarlanması (Şekil A)

Sarkaç hareketi düğmesi testere bıçağı dişlerinin malzemeyi kavrama şeklini ayarlamak için kullanılır. Sarkaç hareketi düğmesi 4 farklı konuma ayarlanabilir:

- 0 - Sarkaç hareketi yok
- 1 - Küçük sarkaç hareketi
- 2 - Orta sarkaç hareketi
- 3 - Büyük sarkaç hareketi

Gerekli sarkaç eylemi, aşağıdaki talimatlara uyulmasına rağmen, pratik testlerle belirlenebilir:

- Yumuşak malzeme (ahşap, plastik vb.): Sarkaç seviyesini II veya III konumuna getirin. Testere ile daha pürüzsüz ve temiz bir kesimi için, sarkaç seviye 0 veya I kullanın.
- İnce malzemede, sarkaç seviye 0 kullanın.
- Sert malzeme (çelik vb.): sarkacı seviye 0 konumuna ayarlayın.
- Kıvrımlar: sarkacı seviye 0 konumuna ayarlayın.

Daldırma kesimi (Şekil H)

Daldırma kesimi sadece ahşap, gözenekli beton, alçı levha ürünleri gibi yumuşak materyallerle kullanılabilir. Bununla birlikte bu kesim için belirli bir pratik gerekir ve sadece kısa testere bıçaklarıyla mümkündür.

1. Testere tabanını iş parçası üzerine koyun ve aleti çalıştırın.
2. Ayaklığın alt kenarının şekilde gösterildiği gibi iş parçasına yaslandığından emin olun.
3. Testereyi dikey bir konuma hareket ettirerek iş parçasını yavaşça kesin ve kesim çizgisi boyunca kesme işlemine devam edin.
4. İş tamamlandığında testereyi kapatın ve iş parçasını kaldırın.

İdeal kullanım için ipuçları

- İş parçasını kelepçe ile sabitleyin. Küçük iş parçaları için bir sıkma aleti kullanın.
- Testere bıçağının ilerleyeceği yönü tanımlamak için bir çizgi çizin.
- Makineyi sapından sıkıca tutun.
- Kesim hızını ayarlayın.
- Gönye açısını ayarlayın.

- Sarkaç konumunu ayarlayın.
- Makineyi açın.
- Makine tam hıza ulaşına dek bekleyin.
- Testere pabucunu iş parçasının üzerine getirin.
- Makineyi, testere pabucunu iş parçasına sıkıca bastırarak önceden çizilmiş çizgi boyunca yavaşça hareket ettirin .
- Makine üzerinde çok fazla basınç uygulamayın. İş makinenin yapmasına izin verin.
- Makineyi kapatın ve makineyi bir kenara koymadan önce makinenin tamamen durmasını bekleyin.

4. BAKIM



Temizlik ve bakımdan önce her zaman makineyi kapatın ve pil takımını makineden çıkarın.

Makine kaplamalarını yumuşak bir bezle, tercihen her kullanımdan sonra düzenli olarak temizleyin. Havalandırma deliklerinin toz ve kirden arınmış olduğundan emin olun. Çok inatçı kirleri sabun köpüğüyle ıslatılmış yumuşak bir bezle çıkarın. Benzin, alkol, amonyak vs. gibi çözücü maddeleri kullanmayın. Bunlar gibi kimyasallar sentetik bileşenlere zarar verecektir.

ÇEVRE



Arızalı ve/veya atılmış elektrikli veya elektronik ekipmanların uygun geri dönüşüm konumlarında toplanması gerekir.

Yalnızca AT ülkeleri için

Elektrikli aletleri evsel atık olarak atmayın. Atık Elektrikli ve Elektronik Donanım için Avrupa İlkeleri 2012/19/EU'ya ve bunun yerel hukuk çerçevesinde uygulamasına göre, artık kullanılamaz olan elektrikli aletler ayrı olarak toplanmalı ve çevre dostu bir yolla imha edilmelidir.

GARANTİ

VONROC ürünleri yüksek kalite standartları doğrultusunda geliştirilmiştir ve ilk satın alımdan itibaren kanunen belirlenen süre boyunca materyal ve işçilik açısından kusursuz olacağı garanti edilmektedir. Bu süre zarfında, kusurlu materyal ve/veya işçilikten dolayı üründe herhangi bir arıza meydana gelmesi durumunda, doğrudan VONROC iletişim kurun. Takip eden durumlar bu garanti kapsamı dışındadır:

- Yetkisiz servis merkezleri tarafından yapılan veya yapılmaya teşebbüs edilen onarım ve/veya değişiklikler.
- Normal aşınma ve eskime.
- Cihazın kötü ve yanlış kullanılması veya cihazla yanlış bakım yapılması.
- Orijinal olmayan yedek parçaların kullanılması

Bu, şirket tarafından açık ya da zımni verilmiş tek garantiyi oluşturur. Belirli bir amaç için ticarete elverişlilik ve uygunluğun zımni garantileri dahil dış görünüşünün ötesine uzanan açık veya zımni başka hiçbir garanti yoktur. VONROC herhangi bir arıza veya dolaylı zarardan hiçbir halükarda sorumlu olmayacaktır. Bayilerin getireceği çözümler uygunsuz birimlerin veya parçaların onarımı veya değiştirilmesiyle sınırlı olacaktır.

Ürün ve kullanıcı kılavuzu değişikliğe tabidir. Spesifikasyonlar başka bir uyarı olmaksızın değiştirilebilir.



DECLARATION OF CONFORMITY
JS501DC / S_JS501DC / S2_JS501DC / S3_JS501DC / S4_JS501DC - JIG SAW

- (EN) We declare under our sole responsibility that this product is in conformity with directive 2011/65/EU of the European parliament and of the council of 8 June on the restriction of the use of certain hazardous substances in electrical and electronic equipment is in conformity and accordance with the following standards and regulations:
- (DE) Der Hersteller erklärt eigenverantwortlich, dass dieses Produkt der Direktive 2011/65/ EU des Europäischen Parlaments und des Rats vom 8. Juni 2011 über die Einschränkung der Anwendung von bestimmten gefährlichen Stoffen in elektrischen und elektronischen Geräten entspricht. den folgenden Standards und Vorschriften entspricht:
- (NL) Wij verklaren onder onze volledige verantwoordelijkheid dat dit product voldoet aan de conform Richtlijn 2011/65/EU van het Europees Parlement en de Raad van 8 juni 2011 betreffende beperking van het gebruik van bepaalde gevaarlijke stoffen in elektrische en elektronische apparatuur en in overeenstemming is met de volgende standaarden en reguleringen:
- (FR) Nous déclarons sous notre seule responsabilité que ce produit est conforme aux standards et directives suivants: est conforme à la Directive 2011/65/EU du Parlement Européen et du Conseil du 8 juin 2011 concernant la limitation d'usage de certaines substances dangereuses dans l'équipement électrique et électronique.
- (ES) Declaramos bajo nuestra exclusiva responsabilidad que este producto cumple con las siguientes normas y estándares de funcionamiento: se encuentra conforme con la Directiva 2011/65/UE del Parlamento Europeo y del Consejo de 8 de junio de 2011 sobre la restricción del uso de determinadas sustancias peligrosas en los equipos eléctricos y electrónicos.
- (IT) Dichiariamo, sotto la nostra responsabilità, che questo prodotto è conforme alle normative e ai regolamenti seguenti: è conforme alla Direttiva 2011/65/UE del Parlamento Europeo e del Consiglio dell'8 giugno 2011 sulla limitazione dell'uso di determinate sostanze pericolose nelle apparecchiature elettriche ed elettroniche.
- (SV) Vi försäkrar under vårt eget ansvar att denna produkt överensstämmer med Europaparlamentets och rådets direktiv 2011/65/EU av den 8 juni om begränsning av användningen av vissa farliga ämnen i elektrisk och elektronisk utrustning och är i överensstämmelse och enlighet med följande standarder och föreskrifter:
- (DA) Vi erklærer under eget ansvar, at dette produkt er i overensstemmelse med Europa-Parlamentets og Rådets direktiv 2011/65/EU af 8. juni om begrænsning af brugen af visse farlige stoffer i elektrisk og elektronisk udstyr og overholder og er i overensstemmelse med følgende standarder og regler:
- (PL) Deklarujemy na własną odpowiedzialność, że ten produkt spełnia wymogi zawarte w następujących normach i przepisach: jest zgodny z Dyrektywą 2011/65/UE Parlamentu Europejskiego i Rady z dnia 8 czerwca 2011 r. w sprawie ograniczenia stosowania niektórych niebezpiecznych substancji w sprzęcie elektrycznym i elektronicznym.
- (RO) Declaram sub responsabilitatea exclusivă că acest produs este în conformitate cu Directiva 2011/65/UE a Parlamentului și a Consiliului European din 8 iunie privind restricționarea utilizării anumitor substanțe periculoase în echipamentele electrice și electronice și în conformitate cu următoarele standarde și reglementări:
- (PT) Declaramos, sob nossa exclusiva responsabilidade, que este produto está em conformidade com a directiva 2011/65/UE do Parlamento Europeu e com a do conselho de 8 de Junho sobre a restrição da utilização de determinadas substâncias perigosas em equipamento eléctrico e electrónico está em conformidade e de acordo com as seguintes normas e regulamentações:
- (HU) Kizárólagos felelősségünk tudatában kijelentjük, hogy ez a termék megfelel az Európai Parlamentnek és a Tanácsnak az egyes veszélyes anyagok elektromos és elektronikus berendezésekben való alkalmazásának korlátozásáról szóló 2011/65/EU irányelvének (2011. június 8.), valamint a következő szabványoknak és jogszabályoknak:
- (CS) Prohlašujeme na svou výhradní odpovědnost, že tento výrobek splňuje požadavky směrnice 2011/65/EU Evropské rady a parlamentu ze dne 8. června, která se týká omezení používání určitých nebezpečných látek v elektrických a elektronických zařízeních, a splňuje také všechny požadavky následujících norem a předpisů:
- (TR) Tek sorumlusu biz olmak üzere bu ürünün Avrupa Parlamentosunun 2011/65/EU ve 8 Haziran 2011 tarihli konseyin elektrikli ve elektronik ekipmanlarda belirlenmiş tehlikeli malzeme kullanımının kısıtlanması hakkındaki talimatları ile birlikte aşağıda belirtilen standart ve yönergelere uygun ve uyumlu olduğunu beyan ederiz:

EN 55014-1, EN 55014-2, EN 61000-3-2, EN 61000-3-3, EN 62841-1, EN 62841-2-11, EN 60335-1, EN 60335-2-29, EN 60825-1, 2006/42/EC, 2014/30/EU, 2014/35/EU, 2012/19/EU, 2011/65/EU

Zwolle, 01-05-2022

H.G.F Rosberg
CEO

VONROC • Lingenstraat 6 • 8028 PM Zwolle • The Netherlands



VONROC®
BUILD YOUR FUTURE

©2022 VONROC
WWW.VONROC.COM

2205-19