



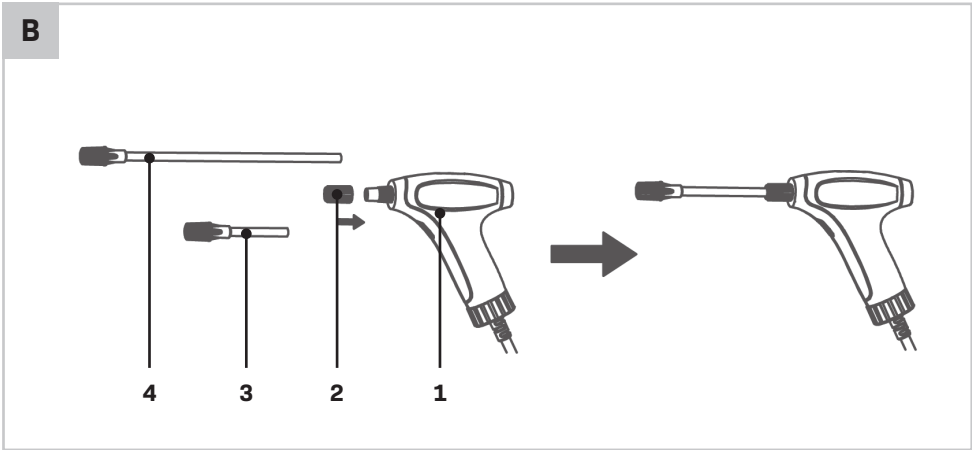
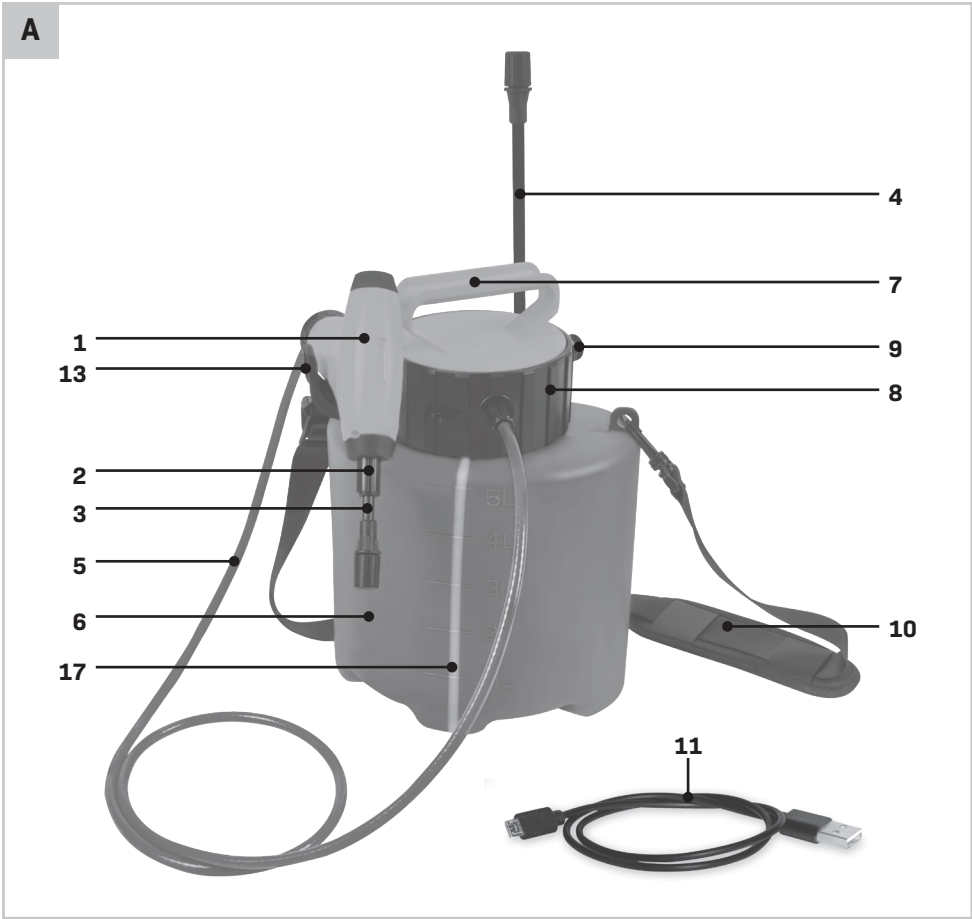
VONROC®

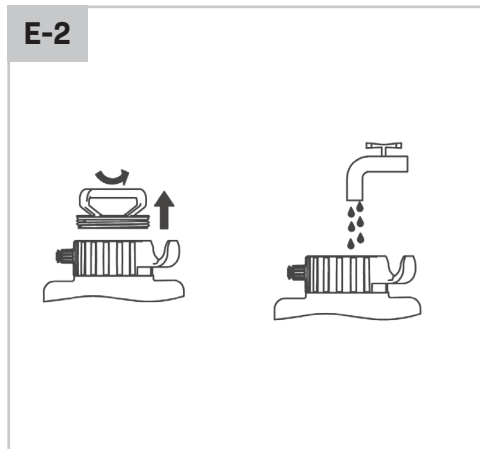
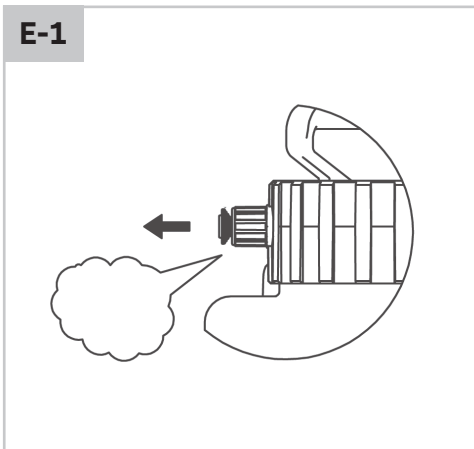
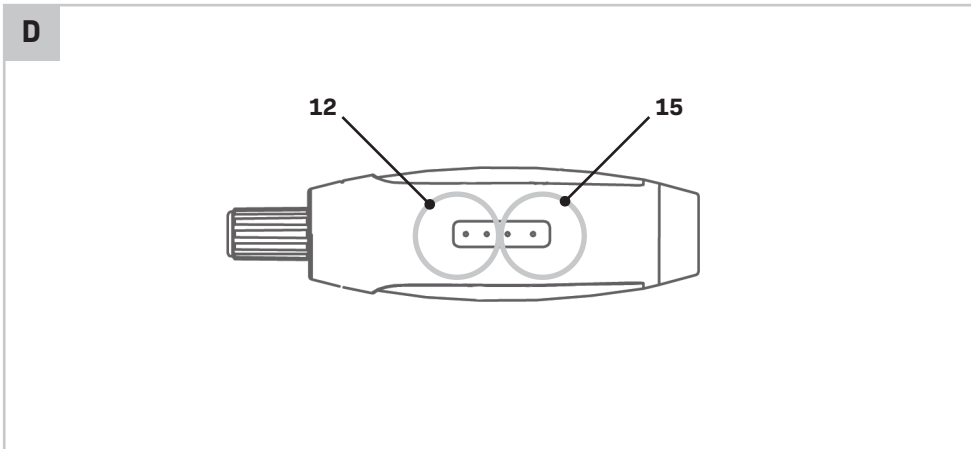
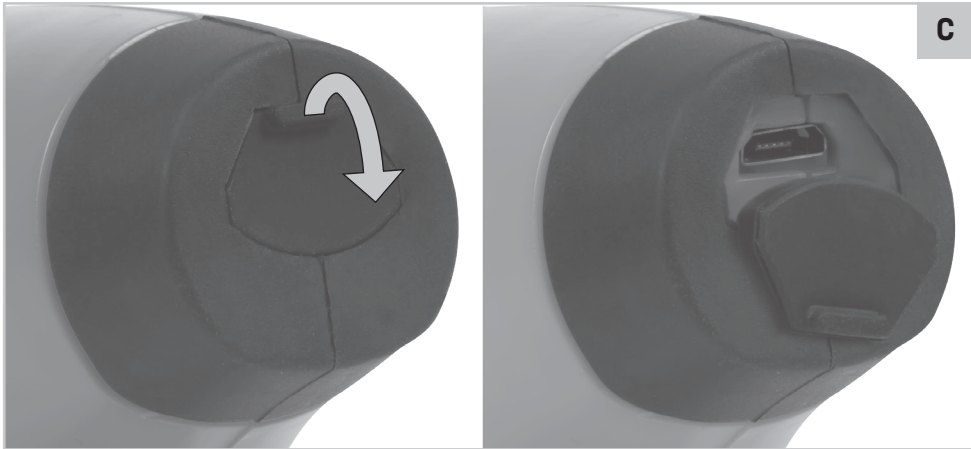
BUILD YOUR FUTURE

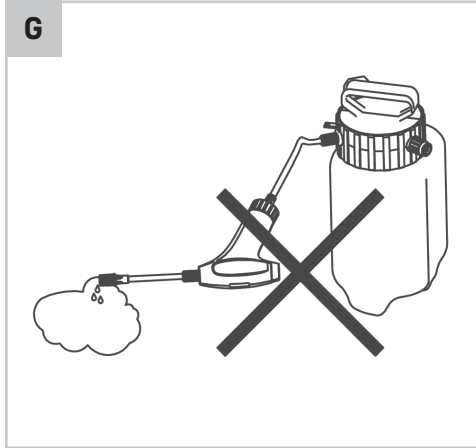
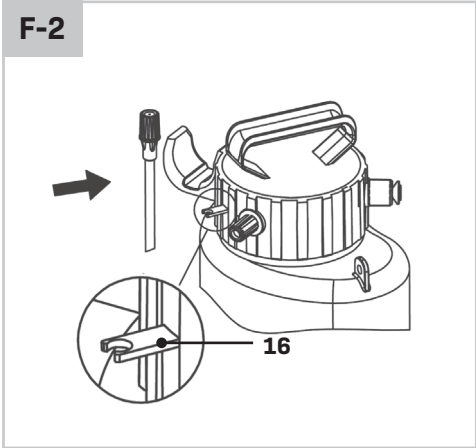
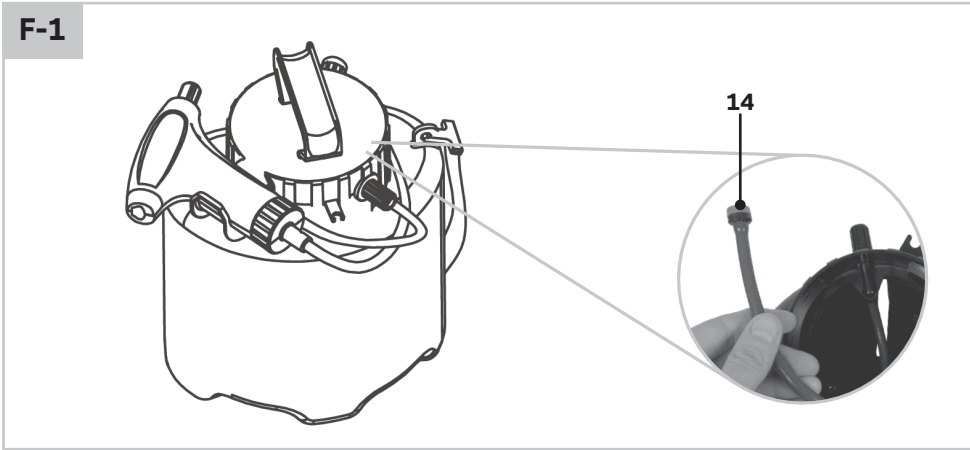
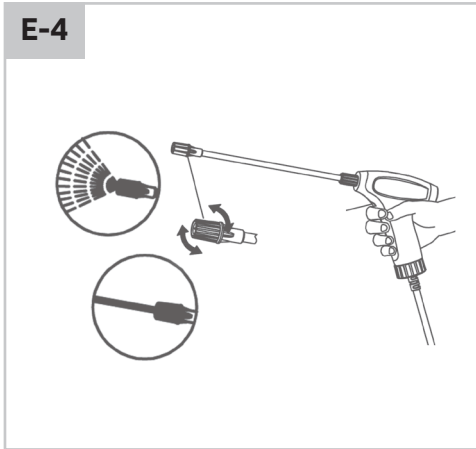
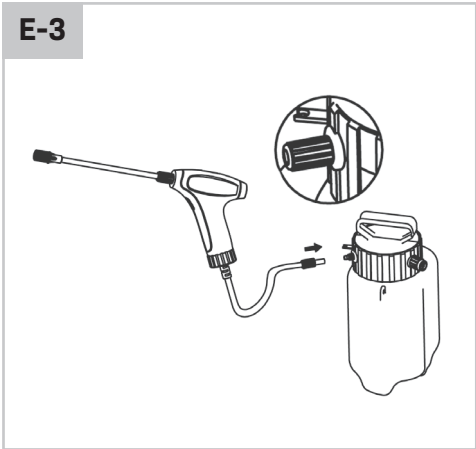
PRESSURE SPRAYER 5L-4V PS504DC



EN	Original Instructions	05
DE	Übersetzung Der Originalbetriebsanleitung	10
NL	Vertaling van de oorspronkelijke gebruiksaanwijzing	17
FR	Traduction de la notice originale	23
ES	Traducción del manual original	30
IT	Traduzione delle istruzioni originali	36
SV	Översättning av bruksanvisning i original	42
DA	Oversættelse af den originale brugsanvisning	47
PL	Tłumaczenie instrukcji oryginalnej	53
RO	Traducere a instrucțiunilor originale	59
PT	Tradução do manual original	65
HU	Eredeti használati utasítás fordítása	72
CS	Překlad původního návodu k používání	78







1. SAFETY INSTRUCTIONS

Read the enclosed safety warnings, the additional safety warnings and the instructions. Failure to follow the safety warnings and the instructions may result in electric shock, fire and/or serious injury. Save the safety warnings and the instructions for future reference.

The following symbols are used in the user manual or on the product:



Read the user manual.



Denotes risk of personal injury, loss of life or damage to the tool in case of non-observance of the instructions in this manual.



Risk of electric shock.



Wear eye protection.



Wear a dust mask.



Protect the appliance against frost.



Do not throw the battery into fire.



Do not throw the battery into water.



Do not dispose of the product in unsuitable containers.



Separate collection for Li-ion battery.



The product is in accordance with the applicable safety standards in the European directives.

GENERAL POWER TOOL SAFETY WARNINGS



WARNING! Read all safety warnings and all instructions. Failure to follow the warnings and instructions may result in electric shock, fire and/or serious injury.

Save all warnings and instructions for future reference.

The term “power tool” in the warnings refers to your mains-operated (corded) power tool or battery-operated (cordless) power tool.

1) Work area safety

- a) **Keep the work area clean and well lit.** Cluttered or dark areas invite accidents.
- b) **Do not operate power tools in explosive atmospheres, such as in the presence of flammable liquids, gases or dust.** Power tools create sparks which may ignite the dust or fumes.
- c) **Keep children and bystanders away while operating a power tool.** Distractions can cause you to lose control.

2) Electrical safety

- a) **Power tool plugs must match the outlet. Never modify the plug in any way. Do not use any adapter plugs with earthed (grounded) power tools.** Unmodified plugs and matching outlets will reduce risk of electric shock.
- b) **Avoid body contact with earthed or grounded surfaces, such as pipes, radiators, ranges and refrigerators.** There is an increased risk of electric shock if your body is earthed or grounded.
- c) **Do not expose power tools to rain or wet conditions.** Water entering a power tool will increase the risk of electric shock.
- d) **Do not abuse the cord. Never use the cord for carrying, pulling or unplugging the power tool. Keep cord away from heat, oil, sharp edges or moving parts.** Damaged or entangled cords increase the risk of electric shock.
- e) **When operating a power tool outdoors, use an extension cord suitable for outdoor use.** Use of a cord suitable for outdoor use reduces the risk of electric shock.
- f) **If operating a power tool in a damp location is unavoidable, use a residual current device (RCD) protected supply.** Use of an RCD reduces the risk of electric shock.

3) Personal safety

- a) **Stay alert, watch what you are doing and use common sense when operating a power tool. Do not use a power tool while you are tired or under the influence of drugs, alcohol or medication.** A moment of inattention while operating power tools may result in serious personal injury.
- b) **Use personal protective equipment. Always wear eye protection.** Protective equipment such as dust mask, non-skid safety shoes, hard hat, or hearing protection used for appropriate conditions will reduce personal injuries.

- c) **Prevent unintentional starting. Ensure the switch is in the off-position before connecting to power source and/or battery pack, picking up or carrying the tool.** Carrying power tools with your finger on the switch or energising power tools that have the switch on invites accidents.
 - d) **Remove any adjusting key or wrench before turning the power tool on.** A wrench or a key left attached to a rotating part of the power tool may result in personal injury.
 - e) **Do not overreach. Keep proper footing and balance at all times.** This enables better control of the power tool in unexpected situations.
 - f) **Dress properly. Do not wear loose clothing or jewellery. Keep your hair, clothing and gloves away from moving parts.** Loose clothes, jewellery or long hair can be caught in moving parts.
 - g) **If devices are provided for the connection of dust extraction and collection facilities, ensure these are connected and properly used.** Use of dust collection can reduce dust related hazards.
 - h) **Do not let familiarity gained from frequent use of tools allow you to become complacent and ignore tool safety principles.** A careless action can cause severe injury within a fraction of a second.
- 4) Power tool use and care**
- a) **Do not force the power tool. Use the correct power tool for your application.** The correct power tool will do the job better and safer at the rate for which it was designed.
 - b) **Do not use the power tool if the switch does not turn it on and off.** Any power tool that cannot be controlled with the switch is dangerous and must be repaired.
 - c) **Disconnect the plug from the power source and/or the battery pack from the power tool before making any adjustments, changing accessories, or storing power tools.** Such preventive safety measures reduce the risk of starting the power tool accidentally.
 - d) **Store idle power tools out of the reach of children and do not allow persons unfamiliar with the power tool or these instructions to operate the power tool.** Power tools are dangerous in the hands of untrained users.
 - e) **Maintain power tools. Check for misalignment or binding of moving parts, breakage of parts and any other condition that may affect the power tool's operation. If damaged, have the power tool repaired before use.** Many accidents are caused by poorly maintained power tools.
 - f) **Keep cutting tools sharp and clean.** Properly maintained cutting tools with sharp cutting edges are less likely to bind and are easier to control.
 - g) **Use the power tool, accessories and tool bits etc. in accordance with these instructions, taking into account the working conditions and the work to be performed.** Use of the power tool for operations different from those intended could result in a hazardous situation.
 - h) **Keep handles and grasping surfaces dry, clean and free from oil and grease.** Slippery handles and grasping surfaces do not allow for safe handling and control of the tool in unexpected situations.
- 5) Battery tool use and care**
- a) **Recharge only with the charger specified by the manufacturer.** A charger that is suitable for one type of battery pack may create a risk of fire when used with another battery pack.
 - b) **Use power tools only with specifically designed battery packs.** Use of any other battery packs may create a risk of injury and fire.
 - c) **When battery pack is not in use, keep it away from other metal objects, like paper clips, coins, keys, nails, screws or other small metal objects that can make a connection from one terminal to another.** Shorting the battery terminals together may cause burns or a fire.
 - d) **Under abusive conditions, liquid may be ejected from the battery; avoid contact. If contact accidentally occurs, flush with water. If liquid contacts eyes, additionally seek medical help.** Liquid ejected from the battery may cause irritation or burns.
 - e) **Do not use a battery pack or tool that is damaged or modified.** Damaged or modified batteries may exhibit unpredictable behaviour resulting in fire, explosion or risk of injury.
 - f) **Do not expose a battery pack or tool to fire or excessive temperature.** Exposure to fire or temperature above 130 °C may cause explosion. NOTE The temperature „130 °C“ can be replaced by the temperature „265 °F“.
 - g) **Follow all charging instructions and do not charge the battery pack or tool outside the temperature range specified in the instructions.** Charging improperly or at temperatures outside the specified range may damage the battery and increase the risk of fire.

6) Service

- a) **Have your power tool serviced by a qualified repair person using only identical replacement parts.** This will ensure that the safety of the power tool is maintained.
- b) **Never service damaged battery packs.** Service of battery packs should only be performed by the manufacturer or authorized service providers.

Electrical safety

It must be observed that no liquid may be directed directly at electrical devices and equipment containing electrical components. If used incorrectly or if the batteries are damaged, flammable liquid may be ejected from the batteries. Contact with this liquid should be avoided. If contact accidentally occurs, rinse off with water. If the liquid comes into contact with your eyes, seek additional medical attention.

- Never open the Pressure Sprayer or unscrew the nozzle when the Pressure Sprayer is still pressurised. To prevent injury, never connect the Pressure Sprayer to an air-compressor.
- Always hold the Pressure Sprayer upright before the safety relief valve is pulled. When spraying insecticides, herbicides and fungicides or other liquid plant protection products, you must comply with all special precautionary measures specified by the manufacturer of the product you are using.



Before opening the tank of the Pressure Sprayer, thoroughly release pressure by pulling the safety relief valve.

DANGER! Small parts can be easily swallowed. There is also a risk that the polybag can suffocate toddlers. Keep toddlers away when you assemble the product.

Operational safety

CAUTION: The tank may only be filled with a maximum of 5 litres liquid.

- Inspect the Pressure Sprayer visually before each use.
- Never leave your Pressure Sprayer unattended and do not store for long periods when long periods when full and pressurised.
- Keep the unit out of the reach of children. You are responsible for the safety of others.

- Keep your Pressure Sprayer away from heat sources and hot environments.
- Screw on the pump handle tightly by hand (do not use tools) and ensure that the O-ring is positioned correctly.
- The On / Off switch may only be switched to "I" when the pump handle is screwed on the container.
- Only charge the battery at an ambient temperature which is between 0 °C and + 40 °C. If the temperature of the battery is outside the permissible charging temperature range, the battery cannot be charged. As soon as the permitted temperature range is reached, the battery is charged.

Cleaning Safety

- Release the pressure after each use, empty the container, clean it carefully and rinse with clear water. Then leave the pressure sprayer open and allow it to dry.
- Do not dispose of residual fluids in the sewerage system (local disposal systems).
- Always clean the Pressure Sprayer before using a different product to avoid chemical reactions.
- When using several Pressure Sprayers, the tanks and spray nozzle may not be exchanged between them.

Storage safety

- Before storing, loosen the tank cap and always empty your Pressure Sprayer completely (also after cleaning with water).
- Store away from frost.
- Carry the pressure sprayer by the carrying strap or the handle.
- Make sure that the product is protected from direct sunlight. The product may heat up.

2. MACHINE INFORMATION**Intended use**

The pressure sprayer is intended for distributing solvent-free liquid, for example: pesticides¹, herbicides¹, fertilisers¹ and window cleaners¹ in domestic gardens and allotments.

It must not be used in public places, parks, sport arenas, or in agriculture or forestry. Compliance with the specifications in this operating manual is

a requirement for the proper use of the Pressure Sprayer.



Warning!

1. Do not use guns for spraying flammable materials.
2. Be aware of any hazards presented by the material being sprayed and instruction to consult the markings on the container or the information supplied by the manufacturer of the material to be sprayed.
3. Do not spray any material where the hazard is not known.
4. Do not clean guns with flammable solvents.

¹ According to the Plant Protection Law as well as the Detergents and Cleaning Agents Law, only approved agents may be used (authorised specialist dealers).

TECHNICAL SPECIFICATIONS

Model No.	PS504DC
Max Capacity	5L
Voltage	4V
USB connection	USB-C
Spray tube length (including sprayhandle)	15-50CM
Working time	2 hours
Charging time	2 hours
Pressure output	0.3L/Min
Max water operating temperature	60 °C
Sound pressure (Lpa)	52.8 + 3 dB(A)
Acoustic power (Lwa)	63.8 + 3 dB(A)
Vibration	0.205 + 1.5 m/s ²

Vibration level

The declared vibration total value has been measured in accordance with a standard test method EN 60745-1 & EN50580 and may be used for comparing one tool with another; The declared vibration total value may also be used in a preliminary assessment of exposure.

- The vibration emission during actual use of the power tool can differ from the declared total

value depending on the ways in which the tool is used.

- Need to identify safety measures to protect the operator that are based on an estimation of exposure in the actual conditions of use (taking account of all parts of the operating cycle such as the times when the tool is switched off and when it is running idle in addition to the trigger time).

DESCRIPTION

The numbers in the text refer to the diagrams on page 2-4.

1. Sprayer
2. Nozzle closing nut
3. Short nozzle
4. Long nozzle
5. Hose
6. Tank
7. Tank handle
8. Tank ring
9. Relief valve
10. Carrying strap
11. Charging cable (included)
12. Charging indication light
13. On/off switch
14. Hose filter
15. Battery indication light
16. Nozzle storage
17. Liquid level indicator

3. ASSEMBLY

Nozzles (Fig. B)

With first use the short nozzle (3) is assembled on the sprayer (1).

- Remove the nozzle closing nut (2)
- Remove and replace the short (3) or long nozzle (4)
- Place the nozzle closing nut (2) and tighten by hand.



Check if the hose (5) is still well connected to the sprayer (1) and to the tank ring (8), if necessary tighten the nuts by hand.

Carrying strap

- Attach the carrying strap to the tank.

4. OPERATION

Charging the sprayer (Fig. C)

Plug the charger cable (11) (included) into an adapter (not included).

- Plug the charger cable (11) into the sprayer
- Plug the charger plug into an electrical outlet after a few seconds the charger indication light (12) will lighten up and show the charging status.

Fully charging the battery may take up to 2 hours.

Checking the battery status (Fig. D)

The battery indication light (15) shows the remaining battery level when the on/off switch (13) is pressed.

The battery indication light (15) has two lights indicating the remaining level. The more lights that burn, the more capacity the battery has left.

When the one light is burning, it means the battery is almost empty and should be charged.

To spray the liquid (Fig. E)

Note: Please observe the safety and proportioning instructions provided by the manufacturer of the product you are going to spray.

1. Pull the safety relief valve (9). See Fig. E1.
2. Unscrew the tank handle (7) and fill the tank (6). See Fig. E2.
* If necessary, add additive liquid.
3. Screw the tank handle (7) back on the tank (6).



Check if the hose (5) is still well connected to the sprayer (1) and to the tank ring (8), if necessary tighten the nuts by hand.

4. Press and hold the on/off switch (13) on the sprayer in order to spray
5. When done spraying, release the button on the sprayer so it stops

Adjust spray from nozzle tip (Fig. E4)

Water may be sprayed out of the nozzle tip (3+4) either linearly or in a fan shape. Turn on the sprayer first, and then adjust the nozzle tip by turning it clock and counter clockwise. As shown in Fig. E4.

Liquid level indicator (17)

The tank (6) has a transparent line that shows the liquid level in the tank.

This can also be used as an measuring cup, indicated per litre.

5. MAINTENANCE

Cleaning

Always clean your Pressure Sprayer after spraying. Use the Pressure Sprayer only with clear water (possibly with addition of dish detergent) and spray empty. The valves, the sprayer (1), the nozzles (3+4), hose (5) and hose filter (14) inside the tank are cleaned.

Pull the safety relief valve (9) to see if has any blockage for smooth running.

Storage (Fig F1, F2)

- Place the sprayer onto the holder positioned on the tank ring. As shown in Fig. F1
- The nozzle not attached to the sprayer can be stored on to the nozzles storage (16) as shown in Fig. F2.



Store the pressure sprayer in a frost-free place.

To clean the hose filter (Fig. F1)

Unscrew the tank handle and remove the hose inside the tank. Clean the filter (14). After cleaning place attached filter back on to the tank hose and the hose inside the tank.

There is liquid in the tank but sprayer will not spray

- Check if the sprayer is fully charged
- Check if all hoses (inside the tank as well) are properly connected, if necessary reconnect and tighten necessary nuts.
- Relief the pressure by pulling the relief valve.

ENVIRONMENT



Faulty and/or discarded electrical or electronic apparatus have to be collected at the appropriate recycling locations.

Only for EC countries

Do not dispose of power tools into domestic waste. According to the European Guideline 2012/19/EC

for Waste Electrical and Electronic Equipment and its implementation into national right, power tools that are no longer usable must be collected separately and disposed of in an environmentally friendly way.

WARRANTY

VONROC products are developed to the highest quality standards and are guaranteed free of defects in both materials and workmanship for the period lawfully stipulated starting from the date of original purchase. Should the product develop any failure during this period due to defective material and/or workmanship then contact VONROC directly.

The following circumstances are excluded from this guarantee:

- Repairs and or alterations have been made or attempted to the machine by unauthorized service centers;
- Normal wear and tear;
- The tool has been abused, misused or improperly maintained;
- Non-original spare parts have been used.

This constitutes the sole warranty made by company either expressed or implied. There are no other warranties expressed or implied which extend beyond the face hereof, herein, including the implied warranties of merchantability and fitness for a particular purpose. In no event shall VONROC be liable for any incidental or consequential damages. The dealers remedies shall be limited to repair or replacement of nonconforming units or parts.

The product and the user manual are subject to change. Specifications can be changed without further notice.

1. SICHERHEITSANWEISUNGEN

Lesen Sie die beiliegenden Sicherheitsanweisungen, die zusätzlichen Sicherheitsanweisungen sowie diese Bedienungsanleitung sorgfältig durch. Bei Nichtbeachten der Sicherheitsanweisungen und der Bedienungsanleitung kann es zu einem Stromschlag, einem Brand und/oder schweren Verletzungen kommen. Bewahren Sie die Sicherheitsanweisungen und die Bedienungsanleitung zur künftigen Bezugnahme sicher auf.

Folgende Symbole werden im Benutzerhandbuch oder auf dem Produkt verwendet:



Lesen Sie das Benutzerhandbuch.



Bedeutet, dass bei Nichtbeachtung der Anweisungen in dieser Anleitung Verletzungen, Tod oder Beschädigung des Werkzeugs die Folge sein können.



Stromschlagrisiko.



Schutzbrille tragen!



Tragen Sie eine Staubmaske.



Das Gerät muss vor Frost geschützt werden.



Werfen Sie den Akku nicht ins Feuer.



Werfen Sie den Akku nicht ins Wasser.



Das Produkt nicht in ungeeigneten Behältern entsorgen.



Li-Ionen-Akkus müssen separat entsorgt werden.



Das Produkt entspricht den geltenden Sicherheitsstandards in den europäischen Richtlinien.

ALLGEMEINE SICHERHEITSHINWEISE



WARNUNG! Lesen Sie alle Sicherheitshinweise, Anweisungen, Bilderungen und technischen Daten, mit denen dieses Elektrowerkzeug versehen ist. Versäumnisse bei der Einhaltung der nachfolgenden Anweisungen können elektrischen Schlag,

Brand und/oder schwere Verletzungen verursachen.

Bewahren Sie alle Sicherheitshinweise und Anweisungen für die Zukunft auf.

Der in den Sicherheitshinweisen verwendete Begriff „Elektrowerkzeug“ bezieht sich auf netzbetriebene Elektrowerkzeuge (mit Netzleitung) oder auf akkubetriebene Elektrowerkzeuge (ohne Netzleitung).

1) Arbeitsplatzsicherheit

- a) **Halten Sie Ihren Arbeitsbereich sauber und gut beleuchtet.** Unordnung oder unbeleuchtete Arbeitsbereiche können zu Unfällen führen.
- b) **Arbeiten Sie mit dem Elektrowerkzeug nicht in explosionsgefährdeter Umgebung, in der sich brennbare Flüssigkeiten, Gase oder Stäube befinden.** Elektrowerkzeuge erzeugen Funken, die den Staub oder die Dämpfe entzünden können.
- c) **Halten Sie Kinder und andere Personen während der Benutzung des Elektrowerkzeugs fern.** Bei Ablenkung können Sie die Kontrolle über das Elektrowerkzeug verlieren.

2) Elektrische Sicherheit

- a) **Der Anschlussstecker des Elektrowerkzeugs muss in die Steckdose passen. Der Stecker darf in keiner Weise verändert werden. Verwenden Sie keine Adapterstecker gemeinsam mit geschützten Elektrowerkzeugen.** Unveränderte Stecker und passende Steckdosen verringern das Risiko eines elektrischen Schlages.
- b) **Vermeiden Sie Körperkontakt mit geerdeten Oberflächen wie von Rohren, Heizungen, Herden und Kühlschränken.** Es besteht ein erhöhtes Risiko durch elektrischen Schlag, wenn Ihr Körper geerdet ist.
- c) **Halten Sie Elektrowerkzeuge von Regen oder Nässe fern.** Das Eindringen von Wasser in ein Elektrowerkzeug erhöht das Risiko eines elektrischen Schlages.
- d) **Zweckentfremden Sie die Anschlussleitung nicht, um das Elektrowerkzeug zu tragen, aufzuhängen oder um den Stecker aus der Steckdose zu ziehen. Halten Sie die Anschlussleitung fern von Hitze, Öl, scharfen Kanten oder sich bewegenden Teilen.** Beschädigte oder verwickelte Anschlussleitungen erhöhen das Risiko eines elektrischen Schlages.
- e) **Wenn Sie mit einem Elektrowerkzeug im Freien arbeiten, verwenden Sie nur Verlängerungsleitungen, die auch für den Außenbereich geeignet**

sind. Die Anwendung einer für den Außenbereich geeigneten Verlängerungsleitung verringert das Risiko eines elektrischen Schlages.

- f) **Wenn der Betrieb des Elektrowerkzeugs in feuchter Umgebung nicht vermeidbar ist, verwenden Sie einen Fehlerstromschutzschalter.** Der Einsatz eines Fehlerstromschutzschalters vermindert das Risiko eines elektrischen Schlages.

3) Sicherheit von Personen

- a) **Seien Sie aufmerksam, achten Sie darauf, was Sie tun, und gehen Sie mit Vernunft an die Arbeit mit einem Elektrowerkzeug. Benutzen Sie kein Elektrowerkzeug, wenn Sie müde sind oder unter dem Einfluss von Drogen, Alkohol oder Medikamenten stehen.** Ein Moment der Unachtsamkeit beim Gebrauch des Elektrowerkzeugs kann zu ernsthaften Verletzungen führen.
- b) **Tragen Sie persönliche Schutzausrüstung und immer eine Schutzbrille.** Das Tragen persönlicher Schutzausrüstung, wie Staubmaske, rutschfeste Sicherheitsschuhe, Schutzhelm oder Gehörschutz, je nach Art und Einsatz des Elektrowerkzeugs, verringert das Risiko von Verletzungen.
- c) **Vermeiden Sie eine unbeabsichtigte Inbetriebnahme. Vergewissern Sie sich, dass das Elektrowerkzeug ausgeschaltet ist, bevor Sie es an die Stromversorgung und/oder den Akku anschließen, es aufnehmen oder tragen.** Wenn Sie beim Tragen des Elektrowerkzeugs den Finger am Schalter haben oder das Elektrowerkzeug eingeschaltet an die Stromversorgung anschließen, kann dies zu Unfällen führen.
- d) **Entfernen Sie Einstellwerkzeuge oder Schraubenschlüssel, bevor Sie das Elektrowerkzeug einschalten.** Ein Werkzeug oder Schlüssel, der sich in einem drehenden Teil des Elektrowerkzeugs befindet, kann zu Verletzungen führen.
- e) **Vermeiden Sie eine abnormale Körperhaltung. Sorgen Sie für einen sicheren Stand und halten Sie jederzeit das Gleichgewicht.** Dadurch können Sie das Elektrowerkzeug in unerwarteten Situationen besser kontrollieren.
- f) **Tragen Sie geeignete Kleidung. Tragen Sie keine weite Kleidung oder Schmuck. Halten Sie Haare und Kleidung fern von sich bewegenden Teilen.** Lockere Kleidung, Schmuck oder lange Haare können von sich bewegenden Teilen erfasst werden.
- g) **Wenn Staubabsaug- und -auffangeinrichtungen montiert werden können, sind diese anzuschließen und richtig zu verwenden.** Verwen-

dung einer Staubabsaugung kann Gefährdungen durch Staub verringern.

- h) **Wiegen Sie sich nicht in falscher Sicherheit und setzen Sie sich nicht über die Sicherheitsregeln für Elektrowerkzeuge hinweg, auch wenn Sie nach vielfachem Gebrauch mit dem Elektrowerkzeug vertraut sind.** Achtloses Handeln kann binnen Sekundenbruchteilen zu schweren Verletzungen führen.
- 4) **Verwendung und Behandlung des Elektrowerkzeugs**
- a) **Überlasten Sie das Elektrowerkzeug nicht. Verwenden Sie für Ihre Arbeit das dafür bestimmte Elektrowerkzeug.** Mit dem passenden Elektrowerkzeug arbeiten Sie besser und sicherer im angegebenen Leistungsbereich.
- b) **Benutzen Sie kein Elektrowerkzeug, dessen Schalter defekt ist.** Ein Elektrowerkzeug, das sich nicht mehr ein- oder ausschalten lässt, ist gefährlich und muss repariert werden.
- c) **Ziehen Sie den Stecker aus der Steckdose und/oder entfernen Sie einen abnehmbaren Akku, bevor Sie Geräteeinstellungen vornehmen, Einsatzwerkzeugteile wechseln oder das Elektrowerkzeug weglegen.** Diese Vorsichtsmaßnahme verhindert den unbeabsichtigten Start des Elektrowerkzeugs.
- d) **Bewahren Sie unbenutzte Elektrowerkzeuge außerhalb der Reichweite von Kindern auf. Lassen Sie keine Personen das Elektrowerkzeug benutzen, die mit diesem nicht vertraut sind oder diese Anweisungen nicht gelesen haben.** Elektrowerkzeuge sind gefährlich, wenn sie von unerfahrenen Personen benutzt werden.
- e) **Pflegen Sie Elektrowerkzeuge und Einsatzwerkzeug mit Sorgfalt. Kontrollieren Sie, ob bewegliche Teile einwandfrei funktionieren und nicht klemmen, ob Teile gebrochen oder so beschädigt sind, dass die Funktion des Elektrowerkzeugs beeinträchtigt ist. Lassen Sie beschädigte Teile vor dem Einsatz des Elektrowerkzeuges reparieren.** Viele Unfälle haben ihre Ursache in schlecht gewarteten Elektrowerkzeugen.
- f) **Halten Sie Schneidwerkzeuge scharf und sauber.** Sorgfältig gepflegte Schneidwerkzeuge mit scharfen Schneidkanten verklemmen sich weniger und sind leichter zu führen.
- g) **Verwenden Sie Elektrowerkzeug, Zubehör, Einsatzwerkzeuge usw. entsprechend diesen Anweisungen. Berücksichtigen Sie dabei die Arbeitsbedingungen und die auszuführende**
- Tätigkeit.** Der Gebrauch von Elektrowerkzeugen für andere als die vorgesehenen Anwendungen kann zu gefährlichen Situationen führen.
- h) **Halten Sie Griffe und Griffflächen trocken, sauber und frei von Öl und Fett.** Rutschige Griffe und Griffflächen erlauben keine sichere Bedienung und Kontrolle des Elektrowerkzeugs in unvorhergesehenen Situationen.
- 5) **Verwendung und Behandlung des Akkuwerkzeugs**
- a) **Laden Sie die Akkus nur mit Ladegeräten auf, die vom Hersteller empfohlen werden.** Durch ein Ladegerät, das für eine bestimmte Art von Akkus geeignet ist, besteht Brandgefahr, wenn es mit anderen Akkus verwendet wird.
- b) **Verwenden Sie nur die dafür vorgesehenen Akkus in den Elektrowerkzeugen.** Der Gebrauch von anderen Akkus kann zu Verletzungen und Brandgefahr führen.
- c) **Halten Sie den nicht benutzten Akku fern von Büroklammern, Münzen, Schlüsseln, Nägeln, Schrauben oder anderen kleinen Metallgegenständen, die eine Überbrückung der Kontakte verursachen könnten.** Ein Kurzschluss zwischen den Akkukontakten kann Verbrennungen oder Feuer zur Folge haben.
- d) **Bei falscher Anwendung kann Flüssigkeit aus dem Akku austreten. Vermeiden Sie den Kontakt damit. Bei zufälligem Kontakt mit Wasser abspülen. Wenn die Flüssigkeit in die Augen kommt, nehmen Sie zusätzlich ärztliche Hilfe in Anspruch.** Austretende Akkuflüssigkeit kann zu Hautreizungen oder Verbrennungen führen.
- e) **Benutzen Sie keinen beschädigten oder veränderten Akku.** Beschädigte oder veränderte Akkus können sich unvorhersehbar verhalten und zu Feuer, Explosion oder Verletzungsgefahr führen.
- f) **Setzen Sie einen Akku keinem Feuer oder zu hohen Temperaturen aus.** Feuer oder Temperaturen über 130 °C können eine Explosion hervorrufen.
- g) **Befolgen Sie alle Anweisungen zum Laden und laden Sie den Akku oder das Akkuwerkzeug niemals außerhalb des in der Betriebsanleitung angegebenen Temperaturbereichs.** Falsches Laden oder Laden außerhalb des zugelassenen Temperaturbereichs kann den Akku zerstören und die Brandgefahr erhöhen.
- 6) **Service**
- a) **Lassen Sie Ihr Elektrowerkzeug nur von qualifiziertem Fachpersonal und nur mit Original-**

Ersatzteilen reparieren. Damit wird sichergestellt, dass die Sicherheit des Elektrowerkzeugs erhalten bleibt.

- b) **Warten Sie niemals beschädigte Akkus.** Sämtliche Wartung von Akkus sollte nur durch den Hersteller oder bevollmächtigte Kundendienststellen erfolgen.

Elektrische Sicherheit

Es ist zu beachten, dass keine Flüssigkeiten direkt auf elektrische Geräte und Anlagen mit elektrischen Bauteilen gerichtet werden dürfen. Bei unsachgemäßer Verwendung oder Beschädigung der Akkus kann entzündliche Flüssigkeit aus den Akkus austreten. Kontakt mit dieser Flüssigkeit sollte vermieden werden. Bei versehentlichem Kontakt gut mit Wasser abspülen. Sollte die Flüssigkeit mit den Augen in Berührung kommen, suchen Sie zusätzlich einen Arzt auf.

- Öffnen Sie niemals den Drucksprüher oder schrauben Sie die Düse ab, wenn der Drucksprüher noch unter Druck steht. Schließen Sie den Drucksprüher niemals an einen Luftkompressor an, da sonst ein Verletzungsrisiko besteht.
- Halten Sie den Drucksprüher immer aufrecht, bevor Sie am Sicherheitsventil ziehen. Beim Versprühen von Insektiziden, Herbiziden und Fungiziden oder anderen flüssigen Pflanzenschutzmitteln sind alle spezifischen Vorsichtsmaßnahmen zu beachten, die der Hersteller des verwendeten Produkts vorschreibt.



Bevor Sie den Tank des Drucksprühers öffnen, lassen Sie den Druck durch Ziehen des Sicherheitsventils vollständig ab.

GEFAHR! Kleinteile können leicht verschluckt werden. Außerdem besteht durch den Plastikbeutel Erstickungsgefahr für Kleinkinder. Halten Sie Kleinkinder fern, wenn Sie das Produkt zusammenbauen.

Sicherheit während des Betriebs

VORSICHT: Der Tank darf nur mit maximal 5 Litern Flüssigkeit gefüllt werden.

- Führen Sie vor jedem Gebrauch eine Sichtkontrolle des Drucksprühers durch.
- Lassen Sie den Drucksprüher niemals unbeaufsichtigt und lagern Sie ihn nicht über längere

Zeiträume, wenn er voll ist und unter Druck steht.

- Halten Sie das Gerät von Kindern fern. Sie sind für die Sicherheit anderer mitverantwortlich.
- Halten Sie den Drucksprüher von Wärmequellen und heißen Umgebungen fern.
- Schrauben Sie den Pumpengriff von Hand fest (kein Werkzeug verwenden) und achten Sie auf den richtigen Sitz des O-Rings.
- Der Ein-/Ausschalter darf nur auf „I“ (Ein) gestellt werden, wenn der Pumpengriff auf den Behälter geschraubt ist.
- Laden Sie den Akku nur bei einer Umgebungstemperatur zwischen 0 °C und + 40 °C. Liegt die Temperatur des Akkus außerhalb des zulässigen Ladetemperaturbereichs, kann der Akku nicht geladen werden. Sobald der zulässige Temperaturbereich erreicht ist, wird der Akku geladen.

Sicherheit bei der Reinigung

- Lassen Sie nach jedem Gebrauch den Druck ab, leeren Sie den Behälter, reinigen Sie ihn sorgfältig und spülen Sie ihn mit klarem Wasser aus. Dann lassen Sie den Drucksprüher offen, damit er trocknen kann.
- Restflüssigkeiten nicht in die Kanalisation entsorgen (kommunale Entsorgungssysteme nutzen).
- Reinigen Sie den Drucksprüher immer, bevor Sie ein anderes Produkt verwenden, um chemische Reaktionen zu vermeiden.
- Bei der Verwendung mehrerer Drucksprüher dürfen die Behälter und Spritzdüsen nicht untereinander ausgetauscht werden.

Sicherheit bei der Aufbewahrung

- Lockern Sie vor der Aufbewahrung den Tankdeckel und entleeren Sie den Drucksprüher immer vollständig (auch nach der Reinigung mit Wasser).
- Vor Frost geschützt lagern.
- Tragen Sie den Drucksprüher am Tragegurt oder am Griff.
- Schützen Sie das Produkt vor direkter Sonneneinstrahlung. Das Gerät kann sich erhitzen.

2. MASCHINENDATEN

Verwendungszweck

Der Drucksprüher ist für das Ausbringen von lösungsmittelfreien Flüssigkeiten, wie z. B. Pestizi-

den¹, Herbiziden¹, Düngemitteln¹ und Fensterreinigern¹ in Haus- und Kleingärten vorgesehen.

Er darf nicht auf öffentlichen Plätzen, in Parks, Sportarenen oder in der Land- und Forstwirtschaft verwendet werden. Die Einhaltung der Spezifikationen in dieser Betriebsanleitung ist Voraussetzung für den ordnungsgemäßen Gebrauch des Drucksprühers.



Warnung!

1. Verwenden Sie für brennbare Materialien keine Sprühpistolen.
2. Seien Sie sich der Gefahren bewusst, die von dem zu versprühenden Material ausgehen, und beachten Sie die Kennzeichnungen auf dem Behälter oder die Informationen des Herstellers des zu versprühenden Materials.
3. Versprühen Sie kein Material, dessen Gefährlichkeit nicht bekannt ist.
4. Reinigen Sie Sprühpistolen nicht mit brennbaren Lösungsmitteln.

¹ Nach den Gesetzen zum Pflanzenschutz sowie zu Wasch- und Reinigungsmitteln dürfen nur zugelassene Mittel verwendet werden (erhältlich im autorisierten Fachhandel).

TECHNISCHE DATEN

Modellnr.	PS504DC
Max. Kapazität	5L
Spannung	4V
USB-Anschluss	USB-C
Sprührohrlänge (einschließlich Sprühgriff)	15-50CM
Betriebsdauer	2 Stunden
Ladedauer	2 Stunden
Druckausgabe	0,3 l/min
Maximale Betriebstemperatur des Wassers	60 °C
Schalldruck (Lpa)	52,8 + 3 dB(A)
Schallleistung (Lwa)	63,8 + 3 dB(A)
Vibration	0,205 + 1,5 m/s ²

Schwingungsniveau

Der angegebene Schwingungsgesamtwert wurde nach einem Standardprüfverfahren gemäß EN

60745-1 & EN50580 gemessen und kann zum Vergleich eines Werkzeugs mit anderen verwendet werden; Der angegebene Schwingungsgesamtwert kann auch für eine vorläufige Beurteilung der Exposition verwendet werden.

- Die Schwingungsemission bei der tatsächlichen Verwendung des Elektrowerkzeugs kann je nach Art der Verwendung des Werkzeugs vom angegebenen Gesamtwert abweichen.
- Es ist notwendig, Sicherheitsmaßnahmen zum Schutz des Bedieners zu ermitteln, die auf einer Einschätzung der Exposition unter den tatsächlichen Einsatzbedingungen beruhen (dabei sind alle Teile des Betriebszyklus zu berücksichtigen, z. B. die Zeiten, in denen das Werkzeug ausgeschaltet ist und in denen es im Leerlauf läuft, zusätzlich zur Auslösezeit).

BESCHREIBUNG

Die Zahlen im Text beziehen sich auf die Abbildungen auf den Seiten 2-4.

1. Sprühgerät
2. Mutter zum Schließen der Düse
3. Kurze Düse
4. Lange Düse
5. Schlauch
6. Tank
7. Tankgriff
8. Tankring
9. Sicherheitsventil
10. Tragegurt
11. Ladekabel (mitgeliefert)
12. Ladestandsanzeigeleuchte
13. Ein-/Ausschalter
14. Schlauchfilter
15. Akku-Anzeigelicht
16. Düsenaufbewahrung
17. Flüssigkeitsstandsanzeige

3. MONTAGE

Düsen (Abb. B)

Vor dem ersten Gebrauch ist die kurze Düse (3) am Sprühgerät (1) montiert.

- Entfernen Sie die Mutter zum Schließen der Düse (2).
- Entfernen Sie die kurze (3) bzw. die lange Düse (4) und bringen Sie die gewünschte Düse an.
- Setzen Sie die Mutter zum Schließen der Düse (2) wieder auf und ziehen Sie sie von Hand fest.



Prüfen Sie, ob der Schlauch (5) noch gut mit dem Sprühgerät (1) und dem Tankring (8) verbunden ist, ggf. die Muttern von Hand nachziehen.



Prüfen Sie, ob der Schlauch (5) noch gut mit dem Sprühgerät (1) und dem Tankring (8) verbunden ist, ggf. die Muttern von Hand nachziehen.

Tragegurt

- Befestigen Sie den Tragegurt am Tank.

4. BETRIEB

Aufladen des Sprühgeräts (Abb. C)

Stecken Sie das Ladekabel (11) (mitgeliefert) in ein Netzteil (nicht mitgeliefert).

- Stecken Sie das Ladekabel (11) in das Sprühgerät.
- Stecken Sie den Stecker des Ladegeräts in eine Steckdose. Nach ein paar Sekunden leuchtet die Anzeigeleuchte des Ladegeräts (12) auf und zeigt den Ladestatus an.

Das vollständige Aufladen des Akkus kann bis zu 2 Stunden dauern.

Überprüfen des Akkuladestatus (Abb. D)

Die Anzeigeleuchte des Akkus (15) zeigt den verbleibenden Akkustand an, wenn der Ein-/Ausschalter (13) gedrückt wird.

Die Anzeigeleuchte des Akkus (15) hat zwei Leuchten, die den verbleibenden Ladestand anzeigen. Je mehr Leuchten brennen, desto mehr Kapazität hat der Akku noch.

Wenn nur eine Leuchte an ist, bedeutet das, dass der Akku fast leer ist und aufgeladen werden sollte.

Versprühen von Flüssigkeit (Abb. E)

Hinweis: Bitte beachten Sie die Sicherheits- und Dosierungshinweise des Herstellers des zu versprühenden Produkts.

1. Ziehen Sie am Sicherheitsventil (9). Siehe Abb. E1.
2. Schrauben Sie den Tankgriff (7) ab und füllen Sie den Tank (6). Siehe Abb. E2.
*Falls erforderlich, zusätzliche Flüssigkeit hinzufügen.
3. Schrauben Sie den Tankgriff (7) wieder auf den Tank (6).

4. Halten Sie zum Sprühen den Ein-/Ausschalter (13) des Sprühgeräts gedrückt.
5. Zum Beenden des Sprühvorgangs lassen Sie den Knopf am Sprühgerät los.

Einstellen des Sprühstrahls an der Düsen Spitze (Abb. E4)

Das Wasser kann aus der Düse (3+4) entweder als Strahl oder in Fächerform gesprüht werden. Schalten Sie zuerst das Sprühgerät ein und stellen Sie dann die Düsen Spitze durch Drehen im bzw. gegen den Uhrzeigersinn ein. Siehe Abb. E4.

Flüssigkeitsstandsanzeige (17)

Der Tank (6) ist mit einer transparenten Linie versehen, die den Flüssigkeitsstand darin anzeigt. Der Tank besitzt eine Einteilung in Litern und kann auch als Messbecher verwendet werden.

5. WARTUNG

Reinigung

Der Drucksprüher muss nach dem Sprühen immer gereinigt werden. Verwenden Sie den Drucksprüher nur mit klarem Wasser (eventuell mit Zusatz von Spülmittel) und sprühen Sie ihn leer. Dadurch werden die Ventile, das Sprühgerät (1), die Düsen (3+4), der Schlauch (5) und der Schlauchfilter (14) im Inneren des Tanks gereinigt.

Ziehen Sie am Sicherheitsventil (9), um zu überprüfen, dass es nicht verstopft ist und sich reibungslos bewegt.

Aufbewahrung (Abb. F1, F2)

- Setzen Sie das Sprühgerät auf die Halterung, die sich auf dem Tankring befindet. Siehe Abb. F1.
- Die nicht am Sprühgerät befestigte Düse kann an der Düsenaufbewahrung (16) angebracht werden, wie in Abb. F2 dargestellt.



Lagern Sie den Drucksprüher an einem frostfreien Ort.

Reinigen des Schlauchfilters (Abb. F1)

Schrauben Sie den Tankgriff ab und entfernen Sie den Schlauch aus dem Inneren des Tanks. Reinigen Sie den Filter (14). Stecken Sie den Filter nach der Reinigung wieder auf den Tankschlauch und auf den Schlauch im Tank.

Es ist Flüssigkeit im Tank, aber das Gerät versprüht sie nicht.

- Prüfen, ob das Sprühergerät vollständig aufgeladen ist.
- Prüfen, ob alle Schläuche (auch im Inneren des Tanks) richtig angeschlossen sind; schließen Sie sie ggf. neu an und ziehen Sie die jeweiligen Muttern fest.
- Entlasten Sie den Druck durch Ziehen am Sicherheitsventil.

UMWELTSCHUTZ

Schadhafte und/oder zu entsorgende elektrische oder elektronische Werkzeuge und Geräte müssen an den dafür vorgesehenen Recycling-Stellen abgegeben werden.

Nur für EG-Länder

Entsorgen Sie Elektrowerkzeuge nicht über den Hausmüll. Entsprechend der EU-Richtlinie 2012/19/EG über Elektro- und Elektronik-Altgeräte sowie der Umsetzung in nationales Recht müssen Elektrowerkzeuge, die nicht mehr im Gebrauch sind, getrennt gesammelt und umweltschonend entsorgt werden.

GARANTIE

VONROC-Produkte werden nach den höchsten Qualitätsstandards entwickelt und sind für den gesetzlich festgelegten Zeitraum, ausgehend von dem ursprünglichen Kaufdatum, garantiert frei von Fehlern in Material und Ausführung. Sollte das Produkt in diesem Zeitraum aufgrund von Material- und/oder Verarbeitungsmängeln Fehler aufweisen, wenden Sie sich bitte direkt an VONROC Kundendienst.

Folgende Umstände sind von der Garantie ausgeschlossen:

- Reparaturen und oder Änderungen an der Maschine, die durch nicht-autorisierte Servicestellen vorgenommen oder versucht wurden.
- Normale Abnutzung und Verschleiß.

- Das Werkzeug wurde übermäßig beansprucht, missbräuchlich verwendet oder falsch gewartet.
- Es wurden keine Original-Ersatzteile verwendet.

Dies stellt die einzige Gewährleistung des Unternehmens dar, sowohl ausdrücklich als auch implizit.

Es gibt keine anderen ausdrücklichen oder stillschweigenden Garantien, die über das hier Genannte hinausgehen, einschließlich der stillschweigenden Garantien der Marktgängigkeit oder Eignung für einen bestimmten Zweck. In keinem Fall ist VONROC haftbar für Neben- oder Folgeschäden. Die Rechtsmittel des Händlers beschränken sich auf Reparatur oder Ersatz fehlerhafter Einheiten oder Teile.

Am Produkt und am Benutzerhandbuch können Änderungen vorgenommen werden. Die technischen Daten können sich ohne Vorankündigung ändern.

1. VEILIGHEIDSVOORSCHRIFTEN

Lees de bijgesloten veiligheidswaarschuwingen, de aanvullende veiligheidswaarschuwingen en de instructies. Het niet opvolgen van de veiligheidswaarschuwingen kan elektrische schokken, brand en/of ernstig letsel tot gevolg hebben. Bewaar de veiligheidswaarschuwingen en instructies als naslagwerk voor later.

De volgende symbolen worden gebruikt in de gebruikershandleiding of op het product:



Lees de gebruikershandleiding.



Duidt op het risico van lichamelijk letsel, overlijden en/of beschadiging van het gereedschap, als de instructies in deze gebruiksaanwijzing niet in acht worden genomen.



Gevaar voor elektrische schokken.



Draag altijd een veiligheidsbril!



Draag een stofmasker.



Bescherm het apparaat tegen vorst.



Gooi de accu niet in het vuur.



Gooi de accu niet in het water.



Gooi het product niet weg in containers die daarvoor niet geschikt zijn.



Gescheiden inzameling voor Li-ion-accu.



Het product voldoet aan de geldende veiligheidsnormen in de Europese richtlijnen.

ALGEMENE VEILIGHEIDSVOORSCHRIFTEN



WAARSCHUWING! Lees alle veiligheidswaarschuwingen en alle instructies. Het niet opvolgen van onderstaande instructies kan leiden tot een elektrische schok, brand en/of ernstig persoonlijk letsel.

Bewaar deze instructies.

De term “elektrisch gereedschap” in onderstaande waarschuwingen heeft betrekking op zowel apparatuur met een vaste elektriciteitskabel als op apparatuur met een accu (draadloze apparatuur).

1) Werkgebied

- Zorg voor een opgeruimde en goed verlichte werkomgeving.** Rommelige en donkere werkomgevingen leiden tot ongelukken
- Gebruik elektrisch gereedschap nooit in een omgeving waar explosiegevaar bestaat, zoals in de nabijheid van ontvlambare vloeistoffen, gassen, dampen of andere stoffen.** Elektrische gereedschappen kunnen vonken veroorzaken, die deze stoffen tot ontbranding kunnen brengen.
- Wanneer u elektrisch gereedschap gebruikt, houd dan kinderen en omstanders op afstand.** Wanneer u wordt afgeleid, kunt u de controle over het gereedschap verliezen.

2) Elektrische veiligheid

- Stekkers van elektrische gereedschappen moeten probleemloos passen op het stopcontact. Breng nooit wijzigingen aan in of aan de stekker. Gebruik geen adapters voor gearde elektrische gereedschappen.** Standaardstekkers en passende stopcontacten verkleinen de kans op een elektrische schok.
- Voorkom lichamelijk contact met gearde oppervlakken van bijvoorbeeld pijpen, leidingen, radiatoren, fornuizen en koelkasten.** Wanneer uw lichaam geaard is, wordt de kans op een elektrische schok groter.
- Stel elektrische gereedschappen nooit bloot aan regen of vocht.** Wanneer er water binnendringt in een elektrisch gereedschap, wordt de kans op een elektrische schok groter.
- Gebruik het snoer niet om het elektrisch gereedschap te dragen, te verplaatsen of de stekker uit het stopcontact te trekken. Bescherm het snoer tegen olie, warmte, scherpe randen en bewegende delen.** Beschadigde of vastzittende snoeren vergroten de kans op een elektrische schok.
- Wanneer u elektrische gereedschappen buiten gebruikt, gebruik dan een verlengkabel die geschikt is voor buitengebruik.** Door een kabel te gebruiken die geschikt is voor buitengebruik, wordt de kans op een elektrische schok kleiner.
- Gebruik een aardlekbeveiliging (RCD) als niet te**

voorkomen is dat een powertool moet worden gebruikt in een vochtige omgeving. Gebruik van een RCD vermindert het risico van elektrische schokken.

3) Persoonlijke veiligheid

- a) **Blijf altijd alert, kijk goed wat u doet en gebruik uw gezonde verstand wanneer u een elektrisch gereedschap gebruikt. Gebruik geen elektrische gereedschappen wanneer u moe bent, of drugs, alcohol of medicijnen hebt gebruikt.** Eén moment van onachtzaamheid bij het gebruik van elektrische gereedschappen kan ernstige verwondingen tot gevolg hebben.
- b) **Gebruik persoonlijke beschermingsmiddelen. Draag altijd een veiligheidsbril.** Een gepast gebruik van veiligheidsvoorzieningen, zoals een stof masker, speciale werkschoenen met antislipzolen, een veiligheidshelm en gehoorbescherming verkleinen de kans op persoonlijk letsel.
- c) **Voorkom dat het gereedschap per ongeluk wordt gestart. Zorg dat de schakelaar op de UITpositie staat, voordat u de stekker in het stopcontact steekt.** Draag elektrisch gereedschap nooit met uw vinger op de schakelaar en steek ook nooit de stekker van ingeschakelde elektrische gereedschappen in het stopcontact: dit leidt tot ongelukken.
- d) **Verwijder alle instel en andere sleutels uit het elektrisch gereedschap voordat u hem inschakelt.** Instel en andere sleutels aan een ronddraaiend onderdeel van het elektrisch gereedschap kunnen tot verwondingen leiden.
- e) **Zorg dat u nooit uw evenwicht kunt verliezen; houd altijd twee voeten stevig op de vloer.** Hierdoor kunt u het elektrisch gereedschap in onverwachte situaties beter onder controle houden.
- f) **Zorg dat u geschikte kleding draagt. Draag geen loshangende kleding of sieraden. Houd uw haar, kleding en handschoenen uit de buurt van bewegende delen.** Loshangende kleding, sieraden en lang haar kunnen vast komen te zitten in bewegende delen.
- g) **Wanneer er voorzieningen zijn voor de aansluiting van stofafzuiginstallaties, zorg dan dat ze op de juiste wijze worden aangesloten en gebruikt.** Gebruik van deze voorzieningen vermindert de gevaren die door stof worden veroorzaakt.
- h) **Denk niet dat doordat u gereedschap vaak gebruikt, u wel weet hoe het allemaal werkt en**

dat u de veiligheidsbeginselen voor het gebruik van het gereedschap wel kunt negeren. Een onbezonnen actie kan in een fractie van een seconde ernstig letsel tot gevolg hebben.

4) Gebruik en onderhoud van elektrisch gereedschap

- a) **Oefen geen overmatige kracht uit op elektrisch gereedschap. Gebruik het juiste gereedschap voor uw specifieke toepassing.** Met het juiste elektrische gereedschap voert u de taak beter en veiliger uit wanneer dit op de snelheid gebeurt waarvoor het apparaat is ontworpen.
- b) **Gebruik nooit elektrisch gereedschap waarvan de AAN/UITschakelaar niet werkt.** Ieder elektrisch gereedschap dat niet kan worden in en uitgeschakeld met de schakelaar is gevaarlijk en moet worden gerepareerd.
- c) **Trek de stekker uit het stopcontact voordat u wijzigingen aanbrengt aan elektrische gereedschappen, accessoires verwisselt of het elektrisch gereedschap opbergt.** Wanneer u zich aan deze preventieve veiligheidsmaatregelen houdt, beperkt u het risico dat het gereedschap per ongeluk wordt gestart.
- d) **Berg elektrisch gereedschap dat niet in gebruik is op buiten bereik van kinderen en laat personen die niet bekend zijn met het gereedschap of deze instructies het apparaat niet gebruiken.** Elektrisch gereedschap is gevaarlijk in de handen van ongeoeffende gebruikers.
- e) **Zorg voor een goed onderhoud van elektrisch gereedschap. Controleer of bewegende delen op de juiste wijze zijn vastgezet. Controleer ook of er geen onderdelen defect zijn of dat er andere omstandigheden zijn die van invloed kunnen zijn op de werking van het gereedschap. Laat het gereedschap bij beschadigingen repareren vóór gebruik.** Veel ongelukken worden veroorzaakt door slecht onderhoud van het gereedschap.
- f) **Zorg dat snij en zaagwerktuigen scherp en schoon blijven.** Goed onderhouden snij en zaagwerktuigen met scherpe randen zullen minder snel vastlopen en zijn eenvoudiger onder controle te houden.
- g) **Gebruik alle elektrische gereedschappen, accessoires, bitjes etc., zoals aangegeven in deze instructies en op de wijze waarvoor het gereedschap is ontworpen. Houd daarbij rekening met de werkomstandigheden en de uit te voeren taak.** Gebruik van elektrisch

gereedschap voor handelingen die afwijken van de taken waarvoor het apparaat is ontworpen kunnen leiden tot gevaarlijke situaties.

- h) **Houd handgrepen en greepoppervlakken droog, schoon en vrij van olie en vet.** Gladde handgrepen en greepoppervlakken maken veilig werken en controle over het gereedschap in onverwachte situaties onmogelijk.

5) Gebruik en onderhoud accugereedschap

- a) **Laad alleen op met de lader die door de fabrikant is gespecificeerd.** Een lader die voor een bepaalde accu geschikt is, kan brand veroorzaken wanneer deze met een andere accu wordt gebruikt.
- b) **Gebruik elektrisch gereedschap alleen met de speciaal hiervoor bedoelde accu's.** Gebruik van andere accu's kan kans op letsel en brand geven.
- c) **Wanneer de accu niet in gebruik is, houd deze dan uit de buurt van andere metalen voorwerpen zoals paperclips, munten, sleutels, spijkers, schroeven of andere kleine metalen voorwerpen die een verbinding tussen twee polen kunnen maken.** Kortsluiting tussen de accupolen kan brandwonden of brand veroorzaken.
- d) **Wanneer de accu niet juist wordt gebruikt, kan er vloeistof uit lopen; raak dit niet aan. Wanneer dit per ongeluk wel gebeurt, spoel dan met water. Wanneer de vloeistof in de ogen komt, moet u een arts raadplegen.** De vloeistof uit de accu kan irritaties of brandwonden veroorzaken.
- e) **Gebruiken niet een accu of gereedschap dat beschadigd is of gemodificeerd.** Beschadigde of gemodificeerde accu's kunnen onvoorspelbaar gedrag vertonen, wat brand, explosie of een risico van letsel met zich meebrengt.
- f) **Stel een accu over het gereedschap niet bloot aan open vuur of een uitzonderlijk hoge temperatuur.** Blootstelling aan vuur of een temperatuur hoger dan 130 °C, kan een explosie veroorzaken. NB De temperatuur van "130 °C" kan worden vervangen door de temperatuur van "265 °F".
- g) **Houd u aan alle instructies voor het laden en laad de accu of het gereedschap niet op buiten het temperatuurbereik dat in de instructies wordt aangeduid.** Op een onjuiste wijze laden of laden bij temperaturen buiten het aangeduide bereik kan de accu beschadigen en het risico van brand doen toenemen.

6) Service

- a) **Laat uw gereedschap onderhouden door een gekwalificeerde onderhoudstechnicus die alleen gebruikmaakt van identieke vervangingsonderdelen.** Dit zorgt ervoor dat de veiligheid van de powertool intact blijft.
- b) **Voer nooit servicewerkzaamheden uit aan beschadigde accu's.** Alleen de fabrikant of geautoriseerde service-providers mogen servicewerkzaamheden aan accu's uitvoeren.

Elektriciteit - Veiligheid

Opgelet dient te worden dat geen vloeistof wordt gericht op elektrische apparatuur of op apparaten die elektrische componenten bevatten. Als het apparaat onjuist wordt gebruikt of als de accu's beschadigd zijn, kan ontlambare vloeistof uit de accu's worden geworpen. Contact met deze vloeistof dient vermeden te worden. Als dat per ongeluk toch gebeurt, spoel het aangedane gebied dan met water. Als de vloeistof in contact komt met de ogen, dient tevens medische hulp ingeroepen te worden.

- U dient de drukspuit nooit te openen of de schroeven van het spuitstuk nooit los te draaien als de drukspuit nog onder druk staat. Om letsel te voorkomen dient u de drukspuit nooit aan een luchtcompressor aan te sluiten.
- Houd de drukspuit altijd rechtop voordat de veiligheidsklep wordt geactiveerd. Als wordt gespoten met insecticiden, herbiciden, fungiciden of andere vloeibare gewasbeschermingsmiddelen, dient u te voldoen aan de speciale voorzorgsmaatregelen die door de fabrikant van het door u gebruikte product zijn gespecificeerd.



Voorafgaand aan het openen van de tank van de drukspuit, dient de druk vrijgegeven te worden door te veiligheidsklep te activeren.

GEVAAR! Kleine onderdelen kunnen gemakkelijk worden ingeslikt. Ook bestaat het gevaar dat kleuters of kleine kinderen in kunststof verpakkingen kunnen stikken. Houd kleuters/kleine kinderen uit de buurt als u het product samenstelt.

Veiligheid tijdens het gebruik

VOORZICHTIG: De tank mag maximaal met 5 liter vloeistof worden gevuld.

- Voorafgaand aan het gebruik de drukspuit eerst visueel controleren.
- Laat de drukspuit nooit onbeheerd achter en berg het apparaat niet gedurende langere tijd op als deze volledig gevuld is en onder druk staat.
- De eenheid buiten bereik van kinderen houden. U bent verantwoordelijk voor de veiligheid van anderen.
- Houd de drukspuit uit de buurt van warmtebronnen en hete omgevingen.
- Schroef de handgreep van de pomp handmatig op (gebruik geen gereedschap) en zorg ervoor dat de O-ring op de juiste manier gepositioneerd is.
- De Aan/Uit-schakelaar mag alleen in de stand 'I' worden ingesteld als de handgreep van de pomp op de container is vastgeschroefd.
- De accu uitsluitend laden bij een omgevingstemperatuur tussen de 0 °C en +40 °C. Als de temperatuur van de accu hoger of lager is dan de hiervoor genoemde, toegestane temperatuur, mag de accu niet worden geladen. Zodra de toegestane temperatuur is bereikt, wordt de accu geladen.

Veiligheid tijdens het schoonmaken

- Na elk gebruik de druk vrijgeven, de container legen en het apparaat goed reinigen en afspoeien met schoon water. Vervolgens de drukspuit in een geopende toestand laten drogen.
- Resterende vloeistoffen niet weggooien in de riool (plaatselijke afvoersystemen).
- Altijd de drukspuit schoonmaken als u een ander product gaat gebruiken. Op deze manier wordt een chemische reactie voorkomen.
- Als meerdere drukspuiten worden gebruikt, mogen de tanks en spuitstukken onderling niet worden verwisseld.

Veiligheid tijdens de opslag

- Voorafgaand aan het opslaan dient de dop van de tank losgedraaid te worden en dient de drukspuit te allen tijde volledig geleegd te worden (ook na het reinigen met water).
- De opslag mag niet worden blootgesteld aan vorst.
- De drukspuit dient aan de draagriem of aan de handgreep gedragen te worden.

- Zorg ervoor dat het product niet aan direct zonlicht wordt blootgesteld. Het apparaat kan opwarmen.

2. INFORMATIE OVER DE MACHINE

Bedoeld gebruik

De drukspuit is bedoeld voor het verspreiden van een oplosmiddelvrije vloeistof, zoals pesticiden¹, herbiciden¹, meststoffen¹ en ruitenreinigers¹ in particuliere tuinen en volkstuinten.

Het dient niet gebruikt te worden in openbare ruimtes, parken, sportterreinen, of in de landbouw of bosbouw. Het voldoen aan de specificaties zoals opgenomen in deze gebruiksaanwijzing is een vereiste voor het op de juiste manier gebruiken van deze drukspuit.



Waarschuwing!

1. Gebruik geen spuitpistool voor het spuiten van ontvlambare materialen.
2. Wees alert op enige risico's die het gevolg kunnen zijn van het te spuiten materiaal. Lees ook de markeringen op de container of de informatie afkomstig van de fabrikant van het materiaal dat gespoten gaat worden.
3. Nooit materiaal spuiten waarvan de mogelijke risico's onbekend zijn.
4. Het spuitpistool niet met ontvlambare oplosmiddelen reinigen.

¹ Volgens de Wet inzake gewasbescherming en de Wet gewasbeschermingsmiddelen en biociden mogen alleen goedgekeurde middelen worden gebruikt (geautoriseerde, gespecialiseerde dealers).

TECHNISCHE SPECIFICATIES

Modelnr.	PS504DC
Max.inhoud	5 L
Voltage	4V
USB-aansluiting	USB-C
Lengte van de sproeibuis (inclusief de handgreep)	15-50 CM
Werktijd	2 uur
Laadtijd	2 uur

Uitgaande druk	0,3 l/min.
Max bedrijfstemperatuur van het water	60 °C
Geluidsdruk (Lpa)	52,8 + 3 dB(A)
Akoestisch vermogen (Lwa)	63,8 + 3 dB(A)
Trilling	0,205 + 1,5 m/s ²

Trillingsniveau

De verklaarde totale waarde voor vibratie werd gemeten overeenkomstig de standaard testmethodes EN 60745-1 & EN50580 en kan worden gebruikt voor het vergelijken van het ene gereedschap met het andere; De verklaarde totale waarde voor vibratie kan ook worden gebruikt in een voorlopige beoordeling van blootstelling.

- De vibratie-emissie tijdens het gebruik van het elektrisch gereedschap, kan afwijken van de verklaarde totale waarde, afhankelijk van de manieren waarop het gereedschap wordt gebruikt.
- Er moeten veiligheidsmaatregelen worden geïdentificeerd om de gebruiker te beschermen, die zijn gebaseerd op een schatten van de blootstelling bij de werkelijke gebruiksomstandigheden (rekening houdend met alle delen van de gebruikscyclus, zoals de momenten waarop het gereedschap uitgeschakeld is en wanneer het stand-by staat, naast de tijd dat het in werking is).

BESCHRIJVING

De nummers in deze tekst verwijzen naar de diagrammen op pagina 2-4.

- Sproeier
- Spuitstuk - afsluitmoer
- Kort spuitstuk
- Lang spuitstuk
- Slang
- Slang
- Handgreep van de tank
- Ring van de tank
- Veiligheidsklep
- Draagriem
- Laadkabel (meegeleverd)
- Indicatielampje - lader
- Aan/Uit-schakelaar
- Slangfilter
- Indicatielampje accu

- Opslag spuitstukken
- Indicator vloeistofniveau

3. MONTAGE

Spuitstukken (Afb. B)

Voor het eerste gebruik wordt het korte spuitstuk (3) op de sproeier (1) bevestigd

- Verwijder de afsluitmoer (2) van het spuitstuk
- Verwijder en vervang het korte (3) of lange spuitstuk(4)
- Plaats de afsluitmoer (2) van het spuitstuk en draai de moer handmatig vast.



Controleer of de slang (5) nog goed op de sproeier (1) en de ring van de tank (8) is aangesloten. De moeren handmatig aandraaien, indien vereist.

Draagriem

- Bevestig de draagriem aan de tank.

4. WERKING

Het laden van de drukspuit (Afb. C)

Steek de stekker van de laadkabel (11) (meegeleverd) in een adapter (niet meegeleverd).

- Steek de stekker van de laadkabel (11) in de drukspuit
- Steek de stekker van de laadkabel in een stopcontact. Na enkele seconden gaat het indicatielampje van de lader (12) branden en wordt de laadstatus getoond.

Het volledig opladen van de accu kan tot 2 uur in beslag nemen.

Het controleren van de status van de accu (Afb. D)

Het indicatielampje (15) van de accu toont het resterende laadniveau als op de Aan/Uit-schakelaar (13) wordt gedrukt.

Het indicatielampje (15) van de accu heeft twee lampjes die het resterende niveau tonen. Hoe meer lampjes branden, hoe hoger het resterende vermogen van de accu is.

Als slechts één brandend lampje wordt getoond, geeft dat aan dat de accu bijna leeg is en dat de accu moet worden opgeladen.

Om de vloeistof te spuiten (Afb. E)

NB: Volg de veiligheidsinstructies en de aanwijzingen voor de verdeling op zoals gespecificeerd door de fabrikant van het product waarmee u gaat sproeien.

1. Trek aan de veiligheidsklep (9). Zie Afb. E1.
2. Draai de handgreep van de tank (7) los en vul de tank (6). Zie Afb. E2.
* Voeg indien nodig extra vloeistof toe.
3. Bevestig de handgreep van de tank (7) weer op de tank (6).



Controleer of de slang (5) nog goed op de sproeier (1) en de ring van de tank (8) is aangesloten. De moeren handmatig aandraaien, indien vereist.

4. Druk op de Aan/Uit-schakelaar (13) op de sproeier en blijf deze ingedrukt houden om te kunnen sproeien
5. Als het sproeien gereed is, dient de schakelaar losgelaten worden zodat de sproeier stopt

Aan de bovenkant van het spuitstuk de sproeier instellen (Afb. E4)

Het water kan uit de bovenkant van het spuitstuk (3+4) worden gespoten, in een lineaire vorm of in waaivorm. Eerst de sproeier inschakelen, vervolgens de bovenkant van het spuitstuk instellen door deze naar rechts of naar links te draaien. Zoals afgebeeld op Afb. E4.

Indicator vloeistofniveau (17)

De tank (6) heeft een transparante lijn die het vloeistofniveau in de tank weergeeft. Deze kan ook worden gebruikt als een maatbeker, aangegeven per liter.

5. ONDERHOUD**Schoonmaken**

De drukspuit na het sproeien altijd reinigen. Gebruik de drukspuit alleen met schoon water (mogelijk met toevoeging van een afwasmiddel) en sproei totdat de tank leeg is. De kleppen, de sproeier (1), de spuitstukken (3+4), de slang (5) en het slangfilter (14) in de tank worden gereinigd.

Trek aan de veiligheidsklep (9) om te beoordelen of ergens een blokkade is opgetreden die het probleemloos functioneren kan belemmeren.

Opslag (Afb. F1, F2)

- Plaats de sproeier op de houder, zoals aanwezig op de ring van de tank. Zoals afgebeeld op Afb. F1.
- Het spuitstuk dat niet op de sproeier is bevestigd, kan in de opbergruimte voor spuitstukken (16) worden opgeborgen, zoals weergegeven in Afb. F2.



Berg de drukspuit op in een vorstvrije ruimte.

Het reinigen van het slangfilter (Afb. F.1)

Draai de handgreep van de tank los en verwijder de slang die in de tank aanwezig is. Reinig het filter (14). Na het reinigen dient het bevestigde filter weer in de tankslang geplaatst te worden, waarna de slang weer in de tank geplaatst dient te worden.

In de tank is vloeistof aanwezig, maar de sproeier sproeit niet

- Controleer of de drukspuit volledig geladen is.
- Controleer of alle slangen (ook in de tank) op de juiste manier zijn aangesloten. Indien nodig de slangen opnieuw aansluiten en de noodzakelijke moeren aandraaien.
- Ontlast de druk door de veiligheidsklep te activeren.

MILIEU

Defecte en/of afgedankte elektrische of elektronische gereedschappen dienen ter verwerking te worden aangeboden aan een daarvoor verantwoordelijke instantie.

Uitsluitend voor EG-landen

Werp elektrisch gereedschap niet weg bij het huisvuil. Conform de Europese Richtlijn 2012/19/EG voor Afgedankte Elektrische en Elektronische Apparatuur en de implementatie ervan in nationaal recht moet niet langer te gebruiken elektrisch gereedschap gescheiden worden verzameld en op een milieuvriendelijke wijze worden verwerkt.

GARANTIE

VONROC producten zijn ontworpen volgens de hoogste kwaliteitsstandaarden en gegarandeerd vrij van defecten, zowel materieel als fabrieksfouten, tijdens de wettelijk vastgestelde garantieperiode vanaf de eerste aankoopdatum. Mocht het product tijdens deze periode gebreken vertonen veroorzaakt door defecte materialen en/of fabrieksfouten, neem dan rechtstreeks contact op met VONROC.

De volgende situaties vallen niet onder de garantie:

- Er zijn reparaties of aanpassingen aan de machine uitgevoerd, of er is een poging daartoe ondernomen, door een niet-geautoriseerd servicecentrum.
- Normale slijtage.
- De machine is misbruikt, verkeerd gebruikt of slecht onderhouden.
- Er zijn niet-originele reserveonderdelen gebruikt.

Dit vormt de enige garantie opgesteld door het bedrijf zowel expliciet als impliciet. Er bestaan geen andere garanties expliciet of impliciet welke verder gaan dan deze garantie, inclusief impliciete garanties van verkoopbaarheid en geschiktheid voor bepaalde doeleinden. In geen enkel geval kan VONROC aansprakelijk worden gesteld voor incidentele schade of gevolgschade. Reparaties van dealers zijn gelimiteerd tot de reparatie of vervanging van defecte producten of onderdelen.

Het product en de gebruikershandleiding zijn onderhevig aan wijzigingen. Specificaties kunnen zonder opgaaf van redenen worden gewijzigd.

1. CONSIGNES DE SÉCURITÉ

En plus des avertissements de sécurité suivants, veuillez également lire les avertissements de sécurité additionnels ainsi que les instructions. Le non-respect des avertissements de sécurité et des instructions peut entraîner une décharge électrique, un incendie et/ou des blessures graves. Veuillez conserver les avertissements de sécurité et les instructions pour consultation ultérieure.

Les symboles suivants sont utilisés dans le manuel d'utilisation ou apposés sur le produit:



Lisez le manuel d'utilisation.



Indique un risque de blessure, de décès ou de détérioration de l'outil en cas de non-respect des consignes de ce manuel.



Risque de décharge électrique.



Portez toujours des lunettes de protection!



Portez un masque anti-poussière.



Protégez l'appareil du gel.



Ne jetez pas la batterie au feu



Ne jetez pas la batterie dans l'eau



Ne jetez pas le produit de façon inappropriée.



Recyclez la batterie Li-Ion.



Le produit est conforme aux normes de sécurité en vigueur des directives européennes.

CONSIGNES GÉNÉRALES DE SÉCURITÉ



AVERTISSEMENT! Veuillez lire l'intégralité des avertissements de sécurité et des instructions. Le non-respect de toutes les instructions indiquées cidessous peut entraîner un risque de choc électrique, d'incendie et/ou de blessures graves.

Conservez ces instructions.

Le terme "appareil électrique" mentionné dans tous les avertissements cidessous se rapporte à un appareil électrique qui se branche au réseau électrique (grâce à un câble d'alimentation) ou à un appareil électrique (sans fil) fonctionnant grâce à une batterie.

1) Espace de travail

- a) **Veillez toujours à garder votre espace de travail propre et bien éclairé.** Les espaces mal rangés et sombres peuvent être la cause d'accidents.
- b) **N'utilisez pas les appareils électriques dans des environnements susceptibles d'explosion, par exemple en présence de liquides inflammables, de gaz ou de particules.** Les appareils électriques provoquent des étincelles qui peuvent enflammer les particules des émanations.
- c) **Veillez à garder éloignés les enfants et les personnes se trouvant dans votre voisinage, lors de l'utilisation d'un appareil électrique.** Les distractions peuvent vous faire perdre le contrôle de l'appareil.

2) Mesures de sécurité électriques

- a) **Les prises des appareils électriques doivent être raccordées à la prise murale correspondante. Ne modifiez jamais la prise de l'appareil, de quelque façon que ce soit. N'utilisez pas d'adaptateurs qui mettent les appareils électriques à la terre (mise à la masse).** Des prises non modifiées et branchées à la prise murale correspondante réduiront les risques de choc électrique.
- b) **Évitez le contact direct avec les surfaces mises à la terre ou mises à la masse comme les canalisations, les radiateurs, les cuisinières et les réfrigérateurs.** En effet, le risque de choc électrique s'accroît si votre corps est mis à la terre ou à la masse.
- c) **N'utilisez pas d'outils électriques dans des environnements pluvieux ou humides.** Si de l'eau s'introduit dans un appareil électrique, le risque de choc électrique augmentera.
- d) **N'utilisez pas le câble de manière abusive. N'utilisez jamais le câble pour transporter, tirer ou débrancher l'appareil électrique. Veillez à garder le câble éloigné des sources de chaleur, des huiles, des rebords coupants ou des pièces actionnées.** Les câbles endommagés ou entremêlés augmentent le risque de choc électrique.

- e) **Lorsque un appareil est utilisé à l'extérieur, utilisez uniquement un câble prolongateur prévu à cet effet.** L'utilisation d'un câble à usage extérieur réduit le risque de choc électrique.
- f) **Si vous êtes contraint d'utiliser un outil électrique dans un environnement humide, utilisez une alimentation protégée par un dispositif à courant résiduel (RCD).** L'utilisation d'un RCD réduit le risque de décharge électrique.

3) Sécurité personnelle

- a) **Restez vigilant, gardez un œil sur ce que vous faites et utilisez votre sens commun lors de l'utilisation d'un appareil électrique. N'utilisez pas un appareil électrique si vous êtes fatigué ou si vous êtes sous l'influence de drogues, d'alcool ou si vous prenez des médicaments.** Un moment d'inattention lors de l'utilisation des appareils électriques peut entraîner des blessures graves.
- b) **Utilisez un équipement de protection personnelle. Protégezvous toujours les yeux.** Les équipements de protection, tels qu'un masque à poussière, des chaussures antidérapantes, des protections auditives ou un casque de sécurité, utilisés dans de bonnes conditions, réduiront le risque de blessures.
- c) **Prévenez tout démarrage involontaire. Assurez-vous que l'interrupteur est sur la position "arrêt avant de brancher l'appareil.** En effet, le transport des appareils électriques en gardant vos doigts sur l'interrupteur, ou le branchement de ces appareils en ayant l'interrupteur sur "marche accidents.
- d) **Retirez les clés de réglage ou les clés de vis de réglage avant d'allumer l'appareil électrique.** Une clé de vis de réglage ou une clé, laissée sur une pièce en mouvement de l'appareil électrique, peut entraîner des lésions corporelles.
- e) **Ne pas se précipiter. Gardez toujours vos pieds à plat et gardez votre équilibre.** Ceci permet de mieux contrôler l'appareil électrique dans des situations imprévues.
- f) **Habillezvous convenablement. Ne portez pas de vêtements lâches ou de bijoux. Gardez vos cheveux, vêtements et gants éloignés des pièces actionnées.** En effet, ces derniers peuvent être pris dans les pièces en action.
- g) **Si les appareils sont fournis pour la connexion des équipements d'évacuation et de récupération de la poussière, assurez-vous que ces derniers soient correctement connectés**

et utilisés. L'utilisation de ces appareils peut réduire les risques liés à la poussière.

- h) **Ne pensez pas être familiarisé avec l'outil après l'avoir utilisé à de nombreuses reprises, au point de ne plus rester vigilant et d'en oublier les consignes de sécurité.** Toute action imprudente peut engendrer de graves blessures en une fraction de seconde.
- 4) **Utilisation et entretien d'un appareil électrique**
 - a) **Ne forcez pas l'appareil électrique. Utilisez l'appareil électrique adéquat pour votre application.** Un appareil électrique correctement choisi assurera un meilleur travail et un travail sans danger, au rythme auquel il a été conçu.
 - b) **N'utilisez pas l'appareil électrique si l'interrupteur marche/arrêt ne fonctionne pas.** Un appareil électrique qui ne peut pas être commandé par l'interrupteur de contrôle est dangereux et doit être réparé.
 - c) **Débranchez la prise du bloc d'alimentation avant d'effectuer des réglages, de changer des accessoires, ou de ranger les appareils électriques.** Ces mesures de sécurité préventives réduiront le risque de démarrage involontaire de l'appareil électrique.
 - d) **Rangez les appareils électriques arrêtés hors de la portée des enfants et ne laissez aucune personne, non familiarisée avec l'outil ou ces instructions, utiliser l'appareil électrique.** Les appareils électriques sont dangereux entre les mains d'utilisateurs non formés.
 - e) **Entretenez les appareils électriques. Vérifiez tout défaut d'alignement et l'enchaînement des pièces actionnées, la rupture de ces dernières, et les autres conditions qui peuvent affecter le fonctionnement des appareils électriques. En cas de dommages, faites réparer l'appareil électrique avant de le réutiliser.** Nombreux sont les accidents provoqués par des appareils électriques mal entretenus.
 - f) **Veillez à garder les outils coupants aiguisés et propres.** Des outils coupants correctement entretenus avec des lames aiguisées sont moins susceptibles de se bloquer et sont plus faciles à contrôler.
 - g) **Utilisez l'appareil électrique, les accessoires et les embouts, etc., conformément à ces instructions et de la manière prévue pour le type spécifique de l'appareil électrique, en prenant en compte les conditions de travail et**

le travail à effectuer. L'utilisation de l'appareil électrique dans des applications différentes de celles prévues peut entraîner des situations dangereuses.

- h) **Gardez les poignées et les surfaces de préhension sèches, propres et exemptes d'huile et de graisse.** Des poignées et des surfaces de préhension glissantes ne permettent pas de manipuler et de contrôler l'outil correctement en cas de situations inattendues.
- h) **Gardez les poignées et les surfaces de préhension sèches, propres et exemptes d'huile et de graisse.** Des poignées et des surfaces de préhension glissantes ne permettent pas de manipuler et de contrôler l'outil correctement en cas de situations inattendues.
- 5) **Utiliser et soigner les outils à batterie**
 - a) **Rechargez la batterie uniquement avec le chargeur spécifié par le fabricant.** Un chargeur adapté à une certaine batterie peut être cause de danger d'incendie quand on l'utilise avec une batterie différente.
 - b) **Utilisez chaque outil uniquement avec la batterie conçue pour lui.** L'utilisation de toute autre batterie peut être cause de danger de blessure ou d'incendie.
 - c) **Lorsque une batterie n'est pas en usage, gardez-la hors d'atteinte d'objets métalliques tels que les trombones, pièces de monnaie, clés, clous, vis et autres petits objets métalliques pouvant faire le contact entre une borne et l'autre.** Un court-circuit entre les bornes de la batterie peut être cause de brûlures ou d'incendie.
 - d) **Dans des circonstances extrêmes, du liquide peut gicler hors de la batterie ; évitez tout contact. En cas de contact accidentel, rincez à l'eau. En cas de contact du liquide avec les yeux, consultez un médecin.** Le liquide qui gicle d'une batterie peut causer irritations ou brûlures.
 - e) **N'utilisez pas un bloc-batterie ou un outil endommagé ou modifié.** Une batterie endommagée ou altérée peut avoir un comportement imprévisible qui peut conduire à un incendie, une explosion ou un risque de blessure.
 - f) **N'exposez pas le bloc-batterie ou l'outil au feu ou à des températures excessives.** L'exposition au feu ou à des températures dépassant 130 °C peut provoquer une explosion. REMARQUE La température de "130°C" peut être remplacé par la température de "265°F".

- g) **Respectez les instructions pour la charge et ne rechargez pas le bloc-batterie ou l'outil à une plage de températures hors de celle spécifiée dans les instructions.** Une charge mal effectuée ou à des températures hors de la plage spécifiée peut endommager la batterie et augmente le risque d'incendie.

6) Maintenance

- a) **L'entretien de votre outil électrique doit être confié à un réparateur qualifié qui utilise uniquement des pièces de rechange identiques aux pièces d'origine.** Cela permet d'assurer la sécurité de l'outil électrique.
- b) **Ne réparez jamais des blocs-batteries endommagés.** Les réparations sur les blocs-batteries ne doivent être effectuées que par le fabricant ou l'un de ses prestataires de services agréés.

Sécurité électrique :

Veillez à vous assurer qu'aucun liquide ne soit dirigé vers les équipements électriques ou des équipements contenant des composants électriques. Si l'appareil n'est pas utilisé correctement ou si les batteries sont endommagées, il est possible que du liquide inflammable soit éjecté des batteries. Évitez tout contact avec ce liquide. En cas de contact accidentel, rincez à l'eau. Si du liquide entre en contact avec vos yeux, consultez en plus un médecin.

- N'ouvrez jamais le pulvérisateur sous pression et ne dévissez jamais l'embout du pulvérisateur s'il est toujours sous pression. Afin d'éviter les blessures, ne raccordez jamais le pulvérisateur sous pression à un compresseur d'air.
- Tenez toujours le pulvérisateur sous pression à la verticale avant de tirer sur la soupape de détente. Si vous pulvérisez des insecticides, des herbicides, des fongicides ou d'autres liquides pour protéger vos végétaux, vous devez respecter toutes les mesures de précaution spécifiques, notifiées par le fabricant du produit que vous utilisez.



Avant d'ouvrir le réservoir du pulvérisateur, purgez complètement la pression en tirant sur la soupape de détente.

DANGER ! Les petites pièces sont facilement ingérables. Il existe également un risque d'étouffement avec le sac pour les tout-petits. Gardez les tout petits à l'écart au moment d'assembler le produit.

Sûreté du fonctionnement

ATTENTION : Le réservoir ne peut contenir que 5 litres de liquide maximum.

- Inspectez visuellement le pulvérisateur avant chaque utilisation.
- Ne laissez jamais le pulvérisateur sans surveillance et ne le rangez jamais alors qu'il est encore plein et sous pression.
- Gardez l'appareil hors de la portée des enfants. Vous êtes responsable de la sécurité des autres personnes.
- Tenez votre pulvérisateur à l'écart des sources de chaleur et des environnements trop chauds.
- Veillez à fermement visser la poignée de la pompe à la main (n'utilisez aucun outil) et veillez à ce que le joint torique soit correctement positionné.
- L'interrupteur Marche/Arrêt ne peut être placé sur "I" que si la poignée de la pompe est correctement vissée sur le réservoir.
- Ne rechargez la batterie qu'à une température ambiante comprise entre 0 °C et + 40 °C. La batterie ne peut pas être rechargée si sa température est en dehors de la plage admissible pour sa recharge. La batterie est rechargée, dès que la plage de températures admissible est atteinte.

Sécurité pour le nettoyage :

- Purgez la pression après chaque utilisation, videz le réservoir, nettoyez-le avec soin et rincez-le à l'eau claire. Laissez ensuite le pulvérisateur ouvert pour le laisser sécher.
- Ne jetez pas les restes de liquides dans les canalisations (utilisez un système de collecte local).
- Veillez à toujours laver le pulvérisateur avant de changer de produit fin d'éviter toute réaction chimique.
- Si vous utilisez plusieurs pulvérisateurs, vous ne pouvez pas interchanger les embouts et les réservoirs.

Sécurité pour le rangement :

- Avant de ranger le pulvérisateur, dévissez le couvercle du réservoir et videz-le complètement (même après l'avoir lavé à l'eau).
- Rangez-le à l'abri du gel.
- Portez le pulvérisateur par la bandoulière ou la poignée.

- Veillez à protéger le produit des rayons directs du soleil. Le produit pourrait chauffer.

2. INFORMATIONS SUR LA MACHINE

Utilisation prévue

Le pulvérisateur sous pression est destiné à pulvériser des liquides sans solvants, par exemple : des pesticides¹, des herbicides¹, des engrais¹ ou du produit pour nettoyer les vitres¹ dans les jardins et les habitations.

Il ne doit pas être utilisé dans les lieux publics, parcs, stades ou en agriculture et foresterie. Le respect des spécifications de la présente notice est essentielle à la bonne utilisation du pulvérisateur sous pression.



Avertissement

1. N'utilisez les pistolets pour vaporiser des substances inflammables.
2. Gardez à l'esprit tous les risques que représentent les produits que vous pulvérisez et pensez à consulter et respecter les mentions apposées sur le réservoir et les informations fournies par le fabricant des produits que vous pulvérisez.
3. Ne pulvérisez jamais un produit dont vous ne connaissez pas les risques.
4. Ne nettoyez pas les pistolets à l'aide de solvants.

¹ Conformément à la loi sur la protection des végétaux et à la loi sur les détergents et les agents de nettoyage, vous ne pouvez utiliser que des agents autorisés (revendeurs spécialisés agréés).

SPÉCIFICATIONS TECHNIQUES

N° de modèle	PS504DC
Capacité maxi	5L
Tension	4V
Prise USB	USB-C
Longueur du tube (avec la poignée)	15-50CM
Autonomie	2 heures
Durée de la charge	2 heures
Pression en sortie	0,3L/min

Température de service de l'eau maxi	60 °C
Pression sonore (Lpa)	52,8 + 3 dB(A)
Puissance sonore (Lwa)	63,8 + 3 dB(A)
Vibrations	0,205 + 1,5 m/s ²

Niveau des vibrations

La valeur totale des vibrations déclarée a été mesurée conformément à une méthode de test normalisée (EN 60745-1 et EN50580) et elle peut être utilisée pour comparer un outil à un autre ; La valeur totale des vibrations déclarée peut également être utilisée pour une évaluation préliminaire à l'exposition.

- En fonction de la manière dont l'outil est utilisé, les vibrations réellement émises pendant son utilisation peuvent différer par rapport à la valeur déclarée.
- Il est nécessaire d'identifier des mesures de sécurité pour protéger l'opérateur, basées sur une estimation de l'exposition dans les conditions réelles d'utilisation (en prenant en compte toutes les parties du cycle de fonctionnement, comme le nombre de fois où l'outil est éteint et lorsqu'il fonctionne à vide, en plus des durées de déclenchement).

PRÉSENTATION

Les numéros dans le texte renvoient aux diagrammes des pages 2 à 4.

1. Pulvérisateur
2. Écrou de fixation de l'embout
3. Embout court
4. Embout long
5. Tuyau
6. Réservoir
7. Poignée du réservoir
8. Bague du réservoir
9. Soupape de détente
10. Bandoulière
11. Câble de charge (fourni)
12. Voyant de charge
13. Interrupteur Marche/Arrêt
14. Filtre du tuyau
15. Voyant de la batterie
16. Rangement pour les embouts
17. Indicateur du niveau de liquide

3. ASSEMBLAGE

Buses (Fig. B)

À la première utilisation, l'embout court (3) est installé sur le pulvérisateur (1)

- Retirez l'écrou de fixation de l'embout (2)
- Retirez l'embout et remplacez-le par l'embout court (3) ou l'embout long (4)
- Installez l'écrou de fixation de l'embout (2) et serrez-le à la main.



Contrôlez que le tuyau (5) est toujours bien raccordé au pulvérisateur (1) et à la bague du réservoir (8). Si nécessaire, resserrez les écrous à la main.

Bandoulière

- Fixez la bandoulière sur le réservoir.

4. UTILISATION

Remplir le pulvérisateur (Fig. C)

Branchez le câble du chargeur (fourni) dans un adaptateur (non fourni).

- Branchez le câble du chargeur (11) dans le pulvérisateur
- Branchez le chargeur dans une prise de courant. Après quelques secondes le voyant de charge (12) s'allume pour indiquer que la charge est en cours.

La charge complète de la batterie peut prendre jusqu'à 2 heures.

Contrôler le niveau de charge de la batterie (Fig. D)

Le voyant de la batterie (15) indique le niveau de charge restant lorsque l'interrupteur Marche/Arrêt (13) est enfoncé.

Le voyant de la batterie (15) dispose de deux voyants indiquant le niveau de charge restant. Plus il y a de voyants allumés, plus la capacité de la batterie est importante.

Lorsqu'il n'y a plus qu'un seul voyant allumé, cela indique que la batterie est presque vide et qu'elle doit être rechargée.

Pour pulvériser des liquides (Fig. E)

Remarque : Veillez à respecter les consignes de sécurité et les consignes sur les proportions fournies par le fabricant du produit que vous allez pulvériser.

1. Tirez sur la soupape de détente (9). Consultez la Fig. E1
2. Dévissez la poignée du réservoir (7) et remplissez le réservoir (6). Consultez la Fig. E2.
 - * Si nécessaire, ajoutez un additif liquide
3. Revissez la poignée du réservoir (7) sur le réservoir (6).



Contrôlez que le tuyau (5) est toujours bien raccordé au pulvérisateur (1) et à la bague du réservoir (8). Si nécessaire, resserrez les écrous à la main.

4. Maintenez l'interrupteur Marche/Arrêt (13) enfoncée pour pouvoir pulvériser
5. Une fois la pulvérisation terminée, relâchez le bouton sur le pulvérisateur

Régler le jet de l'embout (Fig. E4)

Le jet d'eau sortant de l'embout (3+4) peut être réglé de fin à large. Mettez d'abord le pulvérisateur en marche puis réglez l'embout en le tournant dans le sens des aiguilles d'une montre ou dans le sens inverse. Comme illustré par Fig. E4.

Indicateur du niveau de liquide (17)

Le réservoir (6) intègre une ligne transparente qui permet de voir le niveau de liquide dans le réservoir.

Elle peut également servir comme doseur, le marquage est en litres.

5. MAINTENANCE

Nettoyage

Veillez à toujours laver le pulvérisateur après chaque utilisation. N'utilisez le pulvérisateur sous pression qu'avec de l'eau claire (avec un peu liquide vaisselle au besoin) et videz-le en pulvérisant toute l'eau. Les soupapes, le pulvérisateur (1), les embouts (3+4), le tuyau (5) et le filtre du tuyau (14) à l'intérieur du réservoir sont propres.

Tirez sur la soupape de détente (9) pour contrôler l'absence de blocage dans son fonctionnement.

Rangement (Fig. F1, F2)

- Placez le pulvérisateur sur son support sur la bague du réservoir. Comme illustré par Fig. F1
- L'embout qui n'est pas sur le pulvérisateur peut être rangée dans le compartiment de rangement (16), comme illustré par la Fig. F2.



Rangez le pulvérisateur à l'abri du gel.

Pour nettoyer le filtre du tuyau (Fig. F1)

Dévissez la poignée du réservoir et retirez le tuyau à l'intérieur du réservoir. Nettoyez le filtre (14).

Après le nettoyage, réinstallez le filtre sur le tuyau du réservoir et le tuyau dans le réservoir.

Il y a du liquide dans le réservoir mais le pulvérisateur ne fonctionne pas

- Contrôlez que le pulvérisateur est parfaitement rechargé
- Contrôlez que les tuyaux (à l'intérieur du réservoir également) sont bien raccordés. Au besoin, rebranchez-les et resserrez les écrous.
- Purgez la pression en tirant sur la soupape de détente.

ENVIRONNEMENT

Les équipements électroniques ou électriques défectueux ou destinés à être mis au rebut doivent être déposés aux points de recyclage appropriés.

Uniquement pour les pays de l'UE

Ne jetez pas les outils électriques avec les déchets domestiques. Selon la Directive européenne 2012/19/CE relative aux déchets d'équipements électriques et électroniques et sa mise en oeuvre dans le droit national, les outils électriques hors d'usage doivent être collectés séparément et mis au rebut de manière écologique.

GARANTIE

Les produits VONROC sont développés aux plus hauts standards de qualité et ils sont garantis contre les défauts de pièces et de main d'oeuvre pendant la durée légale stipulée à partir de la date d'achat d'origine du produit. En cas d'une quelconque panne du produit pendant cette durée qui serait due à un défaut matériel et/ou de main d'oeuvre, contactez directement VONROC.

Les circonstances suivantes ne sont pas prises en charge par la garantie:

- Des réparations ou altérations ont été effectuées ou tentées sur la machine par un centre de réparation non agréé.
- L'usure normale.
- L'outil a été maltraité, mal utilisé ou mal entretenu.
- Des pièces détachées non d'origine ont été utilisées.

Ceci constitue l'unique garantie accordée par la société explicitement ou implicitement. Il n'existe aucune autre garantie, explicite ou implicite, qui peut s'étendre au delà du contenu ici présent, y compris les garanties marchandes ou d'adaptation à des fins particulières. En aucun cas VONROC ne sera tenu responsable de dommages accidentels ou consécutifs. Les solutions proposées par les revendeurs devront se limiter à la réparation ou le remplacement des éléments ou pièces non conformes.

Le produit et le manuel d'utilisation sont sujets à modifications. Les spécifications peuvent changer sans préavis.

1. INSTRUCCIONES DE SEGURIDAD

Lea las advertencias de seguridad, las advertencias de seguridad adicionales y las instrucciones adjuntas. De no respetarse las advertencias de seguridad y las instrucciones, podrían producirse descargas eléctricas, incendios y/o lesiones graves. Conserve las advertencias de seguridad y las instrucciones para su posterior consulta.

Los siguientes símbolos se utilizan en el manual de usuario o en el producto:



Lea el manual de usuario.



Denota riesgo de lesiones personales, pérdida de vida o daños a la herramienta en caso de incumplimiento de las instrucciones del presente manual.



Riesgo de descarga eléctrica.



¡Use siempre protectores oculares!



Lleve una máscara antipolvo.



Proteja el aparato contra el hielo.



No arroje la batería al fuego.



No arroje la batería al agua.



No tire el producto en contenedores inadecuados.



Efectúe la recogida selectiva de la batería de iones de litio.



El producto es conforme a las normas de seguridad aplicables establecidas en las directivas europeas.

INSTRUCCIONES GENERALES DE SEGURIDAD



PRECAUCIÓN! Lea todas las advertencias de seguridad y todas las instrucciones. Si no lo hace, el uso indebido puede acarrear cortocircuitos, fuego o lesiones graves.

Conserve estas instrucciones.

El término "herramienta eléctrica", en todas las advertencias enumeradas a continuación se refiere

a su herramienta eléctrica (i nalámbrica) que funciona con una batería o a través de la red eléctrica.

1) Área de trabajo

- Trabaje en un lugar limpio y bien iluminado.** Lugares no iluminados o sucios propician accidentes.
- No use herramientas eléctricas donde haya riesgo de fuego o explosión, p.ej: cerca de líquidos o gases inflamables, polvo etc.** Las herramientas eléctricas producen chispas que pueden producir la ignición de partículas de humo.
- Mantenga a los niños y otras personas alejados mientras utiliza la herramienta eléctrica.** Las distracciones pueden hacer que pierda el control de la herramienta.

2) Seguridad eléctrica

- Cerciórese de que las clavijas de la herramienta eléctrica están correctamente enchufadas. Nunca modifique la clavija. No utilice ningún adaptador para la clavija de una herramienta eléctrica con conexión a tierra.** Las clavijas que no se hayan cambiado y los enchufes adecuados reducen el riesgo de cortocircuitos.
- Evite el contacto humano con superficies con conexiones a tierra como tubos metálicos, conductos, tubos de la calefacción, radiadores y refrigeradores.** El riesgo de cortocircuitos es mayor cuando el cuerpo está en contacto con el suelo.
- No use herramientas eléctricas bajo la lluvia o en entornos húmedos.** Si entra agua en una herramienta eléctrica aumenta el riesgo de cortocircuito.
- No utilice el cable para todo. Nunca utilice el cable para mover la máquina, empujarla o sacar la clavija del enchufe. Mantenga el cable alejado del calor, aceite, zonas cortantes o piezas en movimiento.** Los cables dañados o enredados aumentan el riesgo de cortocircuito.
- Use un cable alargador impermeable adecuado para exteriores cuando trabaje con la herramienta eléctrica al aire libre.** El riesgo de cortocircuito es menor si utiliza un cable alargador adecuado para exteriores.
- Si no se puede evitar el uso de la herramienta eléctrica en un lugar húmedo, use suministro protegido mediante dispositivo diferencial residual (DDR).** El uso de un DDR reduce el riesgo de choque eléctrico.
- No permita que la familiaridad adquirida con el uso frecuente de las herramientas le haga**

confiarse e ignorar los principios de seguridad de las herramientas. Una acción descuidada puede causar lesiones graves en una fracción de segundo.

3) Seguridad personal

- a) **No se descuide, preste atención a lo que está haciendo y utilice el sentido común mientras trabaje con esta herramienta. No use herramientas eléctricas cuando esté cansado o esté bajo los efectos del alcohol, las drogas o los medicamentos.** Un momento de distracción, mientras utilice la herramienta eléctrica, puede provocar lesiones personales graves.
- b) **Use equipo de protección individual. Use siempre gafas protectoras.** El uso en condiciones apropiadas del equipo de seguridad como por ejemplo: mascarilla antipolvo, zapatos antideslizantes de seguridad, casco o protección para los oídos, disminuye el riesgo de sufrir lesiones personales.
- c) **Evite arranques involuntarios. Asegúrese de que el interruptor está en la posición de apagado antes de conectarlo a la fuente de electricidad.** Transportar herramientas eléctricas con el dedo puesto sobre el interruptor o enchufarlas con el interruptor encendido puede causar accidentes.
- d) **Quite cualquier llave de ajuste antes de encender la herramienta eléctrica.** Una llave olvidada junto a una pieza móvil de la herramienta eléctrica puede provocar lesiones personales graves.
- e) **No se estire demasiado. Mantenga siempre el equilibrio y tenga los pies en el suelo.** Esto permite un mayor control de la herramienta eléctrica en situaciones inesperadas.
- f) **Vístase apropiadamente. No lleve prendas holgadas o joyas. Mantenga su pelo, ropa y guantes alejados de las piezas móviles.** Las prendas holgadas, las joyas y el pelo largo pueden quedar atrapados en las piezas móviles.
- g) **Si se han suministrado dispositivos para la extracción y recogida de polvo asegúrese de que estos estén conectados y se utilicen correctamente.** El uso de estos dispositivos puede reducir los riesgos relacionados con el polvo.
- h) **Mantenga las asas y las superficies de agarre secas, limpias y libres de aceite y grasa.** Las asas y las superficies de agarre resbaladizas no permiten un manejo y control seguros de la herramienta en situaciones inesperadas.

4) Utilización y cuidados de la herramienta eléctrica

- a) **No fuerce la herramienta eléctrica. Utilice la herramienta eléctrica adecuada para el trabajo que vaya a realizar.** Una herramienta eléctrica apropiada realizará un trabajo mejor y más seguro si se utiliza para el objetivo con el que ha sido diseñada.
 - b) **No use herramientas que no pueden encenderse o apagarse con el interruptor.** Las herramientas que ya no se puedan encender y apagar son peligrosas y deben repararse.
 - c) **Desenchufe la clavija de la toma de electricidad antes de realizar modificaciones, cambiar accesorios o guardar las herramientas eléctricas.** Tales medidas de seguridad preventivas reducen el riesgo de la puesta en marcha accidental.
 - d) **Mantenga a los niños alejados de una herramienta eléctrica sin utilizar y no permita a personas que no estén familiarizadas con la máquina o estas instrucciones utilizar la herramienta.** La herramienta eléctrica puede ser peligrosa cuando la utilicen personas sin experiencia.
 - e) **Conserve sus herramientas cuidadosamente. Verifique cualquier desalineación o agarrotamiento de piezas móviles, piezas dañadas y cualquier otra causa, que pudiera repercutir en el buen funcionamiento de la herramienta eléctrica. Si la herramienta está estropeada, repárela antes de utilizarla.** Muchos de los accidentes están causados por un mantenimiento insuficiente del equipo eléctrico.
 - f) **Mantenga las herramientas de corte limpias y afiladas.** Sierras con esquinas cortantes con un buen mantenimiento se bloquean menos y son más fáciles de controlar.
 - g) **Utilice la herramienta eléctrica, accesorios y brocas etc. Siguiendo las instrucciones atendiendo al tipo de herramienta eléctrica y tenga en cuenta las condiciones de trabajo y el tipo de trabajo que se va a realizar.** Puede ser peligroso realizar trabajos con la herramienta diferentes de aquellos para los que está diseñada.
- ### 5) Uso y cuidado de las herramientas alimentadas por batería
- a) **Recargue las baterías únicamente con el cargador recomendado por el fabricante.** Un cargador que es apto para un tipo de baterías determinado puede provocar riesgo de incendio si se usa para cargar otra clase de baterías.

- b) **Use las herramientas eléctricas sólo con las baterías indicadas específicamente.** El uso de otra clase de baterías diferente puede ocasionar el riesgo de derivar en lesiones o un incendio.
- c) **Cuando el paquete de baterías no esté en uso, consérvelo retirado de objetos metálicos como sujetapapeles, monedas, llaves, clavos, tornillos o cualquier otro objeto metálico pequeño que pueda hacer puente entre las terminales.** El contacto entre las terminales de la batería puede causar quemaduras o incendio.
- d) **Bajo condiciones extremas de abuso la batería podría expulsar un líquido; evite todo contacto. Si se produjese contacto accidentalmente, lávese bien con agua. Si el líquido hace contacto con los ojos, consulte también al médico.** El líquido emanado de la batería puede causar irritaciones o quemaduras.
- e) **No utilice una batería o una herramienta que esté dañada o modificada.** Las baterías dañadas o modificadas pueden presentar un comportamiento impredecible y provocar un incendio, una explosión o riesgo de lesiones.
- f) **No exponga una batería o una herramienta al fuego o a temperatura excesiva.** La exposición al fuego o a temperaturas superiores a 130 °C puede provocar una explosión. NOTA La temperatura "130 °C" puede sustituirse por la temperatura "265 °F".
- g) **Siga todas las instrucciones de carga y no cargue la batería o la herramienta fuera del rango de temperatura especificado en las instrucciones.** La carga incorrecta o a temperaturas fuera del rango especificado puede causar daños a la batería y aumentar el riesgo de incendio.
- 6) Servicio**
- a) **Haga reparar su herramienta eléctrica por una persona cualificada, usando solo piezas de repuesto idénticas.** Esto garantiza que se mantenga la seguridad de la herramienta eléctrica.
- b) **Nunca repare las baterías dañadas.** El mantenimiento de las baterías debe ser realizado solo por el fabricante o los proveedores de servicio autorizados.

Seguridad eléctrica

No dirija ningún líquido directamente hacia dispositivos y equipos eléctricos que contengan componentes eléctricos. Si las baterías se utilizan en modo incorrecto o están dañadas, puede emitir

líquido inflamable. Debe evitarse el contacto con este líquido. En caso de contacto accidental, aclare con agua. Si el líquido entra en contacto con los ojos, consulte a un médico.

- No abra nunca el pulverizador a presión ni desenrosque la boquilla cuando el pulverizador aún está bajo presión. Para evitar lesiones, nunca conecte nunca el pulverizador a presión a un compresor de aire.
- Mantenga siempre el pulverizador a presión en posición vertical antes de tirar de la válvula de seguridad. Cuando pulverice insecticidas, herbicidas y fungicidas u otros productos fitosanitarios líquidos, debe respetar todas las medidas de precaución especiales especificadas por el fabricante del producto que vaya a pulverizar.



Antes de abrir el depósito del pulverizador a presión, libere completamente la presión tirando de la válvula de seguridad.

¡PELIGRO! Contiene piezas pequeñas pueden ingerirse fácilmente. También existe el riesgo de que la bolsa de polietileno cause asfixia a niños pequeños. Mantenga a los niños pequeños alejados cuando monte el producto.

Seguridad durante el uso

PRECAUCIÓN: El depósito puede llenarse con un máximo de 5 litros de líquido.

- Controle visualmente el pulverizador a presión antes de cada uso.
- No deje nunca su pulverizador a presión sin vigilancia y no lo guarde durante mucho tiempo si está lleno y presurizado.
- Mantenga la unidad fuera del alcance de los niños. Usted es responsable de la seguridad de los demás.
- Mantenga el pulverizador a presión alejado de fuentes de calor y entornos calientes.
- Enrosque bien el asa de la bomba a mano (no utilice herramientas) y compruebe que la junta tórica esté colocada correctamente.
- El interruptor de encendido/apagado puede ponerse en "I" solo cuando el asa de la bomba está enroscada en el depósito.
- Cargue la batería únicamente a una temperatura ambiente comprendida entre 0 °C y + 40 °C. Si la temperatura de la batería está fuera del intervalo de temperatura de carga permitido, la

batería no se carga. Tan pronto como alcanza el intervalo de temperatura permitido, la batería se carga.

Seguridad durante la limpieza

- Libere la presión después de cada uso, vacíe el depósito, límpielo con cuidado y aclárelo con agua limpia. Después deje el pulverizador a presión abierto para que se seque.
- No elimine los líquidos residuales en el sistema de alcantarillado (sistemas locales de eliminación).
- Limpie siempre el pulverizador a presión antes de utilizar un producto diferente, para evitar reacciones químicas.
- Cuando utilice varios pulverizadores a presión, no intercambie los depósitos y las boquillas de pulverización.

Seguridad para el almacenamiento

- Antes de guardar el pulverizador a presión, afloje el tapón del depósito y vacíelo siempre completamente (también después de limpiarlo con agua).
- Guárdelo en un lugar protegido contra las heladas.
- Transporte el pulverizador a presión por la correa de transporte o el asa.
- Asegúrese de que el producto esté protegido de la luz solar directa. El producto puede calentarse.

2. INFORMACIÓN SOBRE LA MÁQUINA

Uso previsto

El pulverizador a presión ha sido concebido para pulverizar líquidos sin disolventes, como, por ejemplo, pesticidas¹, herbicidas¹, fertilizantes¹ y limpiacristales¹, y para pulverizar jardines domésticos y huertos.

No debe utilizarse en lugares públicos, parques, estadios deportivos, ni en agricultura o silvicultura. El cumplimiento de las especificaciones de este manual de usuario es un requisito para el uso correcto del pulverizador a presión.



Advertencia

1. No utilice pistolas para pulverizar materiales inflamables.
2. Tenga en cuenta los peligros que presenta el material vaya a pulverizar y consulte las marcas

del envase o la información suministrada por el fabricante del material.

3. No pulverice ningún material del cual no conozca los riesgos.
4. No limpie pistolas con disolventes inflamables.

¹ De acuerdo con la Ley de Protección Fitosanitaria y con la Ley de Detergentes y Productos Limpiadores, pueden utilizarse solo los productos aprobados (de distribuidores especializados autorizados).

ESPECIFICACIONES TÉCNICAS

Modelo n.º	PS504DC
Capacidad máx.	5 L
Voltaje	4 V
Conexión USB	USB-C
Longitud del tubo de pulverización (incluida el asa del pulverizador)	15-50 CM
Tiempo de trabajo	2 horas
Tiempo de carga	2 horas
Salida de presión	0,3 L/Min
Temperatura máx. agua funcionamiento	60 °C
Presión acústica (Lpa)	52,8 +3 dB(A)
Potencia acústica (Lwa)	63,8 +3 dB(A)
Vibración	0,205 + 1,5 m/s ²

Nivel de vibración

El valor total de vibración declarado ha sido medido de acuerdo con un método de prueba normalizado indicado en las normas EN 60745-1 y EN50580 y puede utilizarse para comparar herramientas entre sí; El valor total de vibración declarado también puede utilizarse para una valoración previa de la exposición.

- La emisión de vibraciones durante el uso real de la herramienta eléctrica puede diferir del valor total declarado en función de cómo se use la herramienta.
- Es necesario identificar medidas de seguridad para proteger al operador, basadas en una estimación de la exposición en las condiciones reales de uso (teniendo en cuenta todas las partes del ciclo de funcionamiento, como el tiempo en que la herramienta está apagada y cuando funciona en vacío, además del tiempo de disparo).

DESCRIPCIÓN

Los números del texto se refieren a los diagramas de las páginas 2-4.

1. Pulverizador
2. Tuerca de cierre de la boquilla
3. Boquilla corta
4. Boquilla larga
5. Manguera
6. Depósito
7. Asa del depósito
8. Anillo del depósito
9. Válvula de seguridad
10. Correa de transporte
11. Cable de carga (incluido)
12. Luz indicadora de carga
13. Interruptor de encendido/apagado
14. Filtro de la manguera
15. Luz indicadora de carga de la batería
16. Almacenamiento de boquillas
17. Indicador de nivel de líquido

3. MONTAJE

Boquillas (Fig. B)

La boquilla corta (3) está montada en el pulverizador (1) para el primer uso.

- Retire la tuerca de cierre de la boquilla (2)
- Retire y sustituya la boquilla corta (3) o la larga (4).
- Coloque la tuerca de cierre de la boquilla (2) y apriétela a mano.



Compruebe si la manguera (5) está bien conectada al pulverizador (1) y al anillo del depósito (8), y si es necesario apriete las tuercas a mano.

Correa de transporte

- Coloque la correa de transporte en el depósito.

4. FUNCIONAMIENTO

Carga del pulverizador (Fig. C)

Enchufe el cable del cargador (suministrado) en un adaptador (no suministrado).

- Enchufe el cable del cargador (11) en el pulverizador.
- Enchufe el enchufe del cargador en una toma de corriente, en unos segundos se encenderá la luz indicadora del cargador (12) y mostrará el estado de carga.

Cargar totalmente la batería puede llevar hasta 2 horas.

Comprobación del estado de carga de la batería (Fig. D)

Cuando se pulsa el botón de encendido/apagado (13), la luz indicadora de carga de la batería (15) muestra la carga restante de la batería.

La luz indicadora de la batería (15) tiene dos luces que indican el nivel restante de carga. Cuantas más luces encendidas haya, más carga le queda a la batería.

Cuando hay una luz encendida, la batería está casi vacía y debe cargarse.

Para rociar un líquido (Fig. E)

Nota: Respete las instrucciones de seguridad y dosificación indicadas por el fabricante del producto que vaya a pulverizar.

1. Tire de la válvula de seguridad (9). Consulte la Fig. E1
2. Desenrosque el asa del depósito (7) y llene el depósito (6). Consulte la Fig. E2.
* Si es necesario, añada un aditivo líquido.
3. Vuelva a enroscar el asa del depósito (7) en el depósito (6).



Compruebe si la manguera (5) está bien conectada al pulverizador (1) y al anillo del depósito (8), y si es necesario apriete las tuercas a mano.

4. Para pulverizar, pulse y mantenga pulsado el interruptor de encendido/apagado (13) del pulverizador.
5. Después de pulverizar, suelte el botón del pulverizador para pararlo.

Ajuste la pulverización usando la punta de la boquilla (Fig. E4)

Con la punta de la boquilla (3+4) pueden pulverizarse los líquidos en modo lineal o en forma de abanico. Primero encienda el pulverizador y después ajuste la punta de la boquilla girándola en sentido horario. Como se muestra en la Fig. E4.

Indicador de nivel de líquido (17)

El depósito (6) tiene una línea transparente que muestra el nivel de líquido en el depósito. También puede usarse como vaso medidor, indicado por litro.

5. MANTENIMIENTO**Limpieza**

Limpie siempre su pulverizador a presión después de pulverizar. Use solo con agua limpia (posiblemente con detergente para vajillas) y pulverice en vacío. Se limpiarán las válvulas, el pulverizador (1), las boquillas (3+4), la manguera (5) y el filtro de la manguera (14) y el interior del depósito.

Tire de la válvula de seguridad (9) para ver si tiene alguna obstrucción que impida el buen funcionamiento.

Almacenamiento (Fig. F1, F2)

- Coloque el pulverizador en el soporte colocado en el anillo del depósito. Como se muestra en la Fig. F1
- Las boquillas que no estén colocadas en el pulverizador pueden guardarse en el depósito de boquillas (16), como se muestra en la Fig. F2.



Guarde el pulverizador a presión en un lugar libre de heladas.

Para limpiar el filtro de la manguera (Fig. F1)

Desenrosque el asa del depósito y retire la manguera del interior del depósito. Limpie el filtro (14). Después de la limpieza, vuelva a colocar el filtro en la manguera del tanque, y la manguera dentro del tanque.

Hay líquido en el depósito, pero el pulverizador no pulveriza.

- Compruebe si el pulverizador está completamente cargado.
- Compruebe si todas las mangueras (también las del interior del depósito) están bien conectadas, si es necesario vuelva a conectarlas y apriete las tuercas necesarias.
- Alivie la presión tirando de la válvula de seguridad.

MEDIOAMBIENTE

Los aparatos eléctricos o electrónicos defectuosos y/o desechados deben recogerse en lugares de reciclado apropiado.

Solo para países de la Comunidad Europea

No elimine las herramientas eléctricas como residuos domésticos. De acuerdo con la Directiva europea 2012/19/CE sobre residuos de aparatos eléctricos y electrónicos, y su transposición a las legislaciones nacionales, las herramientas eléctricas que ya no se utilizan deben recogerse por separado y eliminarse en modo ecológico.

CONDICIONES DE GARANTÍA

Los productos VONROC han sido desarrollados con los más altos estándares de calidad y VONROC garantiza que están exentos de defectos relacionados con los materiales y la fabricación durante el periodo legalmente estipulado, a contar desde la fecha de compra original. En caso de que el producto presente defectos relacionados con los materiales y/o la fabricación durante este periodo, póngase directamente en contacto VONROC.

La presente garantía se excluye en los siguientes casos:

- Si centros de servicios no autorizados han realizado o han intentado realizar reparaciones y/o alteraciones a la máquina.
- Si se ha producido un desgaste normal.
- Si la herramienta ha sido mal tratada o usada en modo impropio, o se ha realizado incorrectamente su mantenimiento.
- Si se han utilizado piezas de repuesto no originales.

La presente constituye la única garantía implícita y explícita que ofrece la compañía. No existen otras garantías explícitas o implícitas que excedan las citadas aquí, incluidas las garantías implícitas de comerciabilidad e idoneidad para una finalidad en especial. VONROC no será considerada responsable en ningún caso por daños incidentales o consecuentes. Los recursos a disposición de los distribuidores se limitan a la reparación o a la sustitución de las unidades o piezas no conformes.

El producto y el manual de usuario están sujetos a variaciones. Las especificaciones pueden variarse sin previo aviso.

1. ISTRUZIONI DI SICUREZZA

Leggere accuratamente gli avvisi di sicurezza, gli avvisi di sicurezza aggiuntivi e le istruzioni. La mancata osservanza degli avvisi di sicurezza e delle istruzioni potrebbe causare scosse elettriche, incendio e/o gravi lesioni. Mantenere gli avvisi di sicurezza e le istruzioni a portata di mano per future consultazioni.

I seguenti simboli sono utilizzati nel presente manuale utente o sul prodotto:



Leggere il manuale per l'utente.



Denota il rischio di lesioni personali, morte o danni all'utensile in caso di mancata osservanza delle istruzioni contenute nel presente manuale.



Rischio di scosse elettriche.



Indossare sempre occhiali protettivi!



Indossare una mascherina anti-polvere.



Proteggere la macchina dal gelo.



Non gettare la batteria nel fuoco



Non gettare la batteria nell'acqua



Non smaltire il prodotto in contenitori non idonei.



Raccolta differenziata per la batteria agli ioni di litio.



Il prodotto è conforme alle norme di sicurezza applicabili ai sensi delle direttive europee vigenti.

REGOLE GENERALI DI SICUREZZA



ATTENZIONE! Leggere tutte le avvertenze di sicurezza e tutte le istruzioni. Se non si seguono tutte le istruzioni sotto elencate, si può incorrere in uno shock elettrico, in un incendio e/o in lesioni serie.

Conservare queste istruzioni.

Il termine "arnese elettrico" in tutti gli avvertimenti sotto elencati si riferisce al vostro arnese elettrico

che funziona a corrente (con filo) o ad un arnese che funziona a pile (senza filo).

1) Area di lavoro

- Mantenere l'area di lavoro pulita e ben illuminata.** Aree buie e disordinate favoriscono gli incidenti.
- Non usare arnesi elettrici in atmosfere esplosive, come vicino ai liquidi infiammabili, gas o polveri.** Gli arnesi elettrici creano scintille che possono incendiare la polvere dei vapori.
- Tenere lontani bambini e altre persone mentre si accende l'arnese elettrico.** Le distrazioni possono farvi perdere il controllo.

2) Sicurezza elettrica

- Le spine dell'arnese elettrico devono andare bene per la presa di corrente. Non modificare mai la spina in alcun modo. Non usare alcun adattatore con arnesi elettrici a terra (messo a terra).** Spine non modificate che vanno bene per le prese di corrente ridurranno il rischio di shock elettrico.
- Evitare il contatto corporeo con superfici a terra come tubature, radiatori, fornelli e refrigeratori.** C'è un rischio maggiore di shock elettrico se il vostro corpo è a terra.
- Non esporre arnesi elettrici alla pioggia o a condizioni di umidità.** Se dell'acqua penetra nell'arnese elettrico aumenterà il rischio di shock elettrico.
- Non abusare del filo. Non usare mai il filo per trasportare, spingere o staccare dalla presa l'arnese elettrico. Tenere il filo lontano da calore, olio, bordi taglienti o parti mobili.** Fili danneggiati o aggrovigliati aumentano il rischio di shock elettrico.
- Quando si accende un arnese elettrico all'aperto, usare una prolunga adatta a tale uso.** Usare un filo adatto all'uso all'aperto ridurrà il rischio di shock elettrico.
- Se non è possibile evitare l'uso di un elettroutensile in ambiente umido, usare una rete di alimentazione protetta da un interruttore differenziale (salvavita).** L'uso di un salvavita riduce il rischio di scosse elettriche.

3) Sicurezza personale

- Stare vigili e attento quando si accende un arnese elettrico. Non usare un arnese elettrico mentre si è stanco o sotto l'effetto di droghe, alcool o medicinali.** Un momento di disattenzione mentre si accendono arnesi

- elettrici può causare delle gravi lesioni personali.
- b) **Usare dispositivi di protezione individuale. Indossare sempre una protezione per gli occhi.** Dispositivi di sicurezza come mascherina per la polvere, scarpe di sicurezza antiscivolo, casco, o protezioni per le orecchie usate nelle appropriate condizioni, ridurranno le lesioni personali.
- c) **Prevenire l'avvio accidentale. Assicurarsi che l'interruttore sia spento prima di collegarsi.** Trasportare elettrotensili tenendo il dito sull'interruttore di accensione o dare corrente ad elettrotensili con l'interruttore acceso può dare luogo a incidenti.
- d) **Rimuovere ogni chiave regolatrice o chiave per dadi prima di accendere l'arnese elettrico.** Una chiave per dadi o una chiave lasciata attaccata ad una parte rotante dell'arnese elettrico può provocare lesioni personali.
- e) **Cercare di mantenere l'equilibrio. Mantenere sempre un punto d'appoggio appropriato.** Questo consente un controllo migliore dell'arnese elettrico in situazioni inaspettate.
- f) **Vestirsi adeguatamente. Non indossare vestiti larghi o gioielli. Tenere lontano capelli, vestiti e guanti dalle parti mobili.** Vestiti larghi, gioielli o capelli lunghi possono essere presi nelle parti mobili.
- g) **Se vengono forniti dispositivi per la connessione dell'estrazione della polvere e attrezzature di raccolta, assicurarsi che questi siano collegati e usati correttamente.** L'uso di questi dispositivi può ridurre i rischi correlati alla polvere.
- h) **Non lasciare che la confidenza acquisita dall'uso frequente induca l'utilizzatore ad assumere comportamenti imprudenti e a ignorare i principi di sicurezza per l'utensile.** Una semplice distrazione può provocare gravi lesioni personali in una frazione di secondo.
- 4) Uso e manutenzione dell'arnese elettrico**
- a) **Non forzare l'arnese elettrico. Usare l'arnese elettrico corretto per il vostro impiego.** L'arnese elettrico corretto farà il lavoro meglio e in maniera più sicura alla velocità per la quale è stato progettato.
- b) **Non usare l'arnese elettrico se l'interruttore non si accende o non si spegne.** Ogni arnese elettrico che non può essere controllato con l'interruttore è pericoloso e deve essere riparato.
- c) **Scollegare la spina dalla sorgente di elettricità prima di fare qualsiasi regolazione, cambiare gli accessori, o conservare arnesi elettrici.** Tali misure di sicurezza preventive riducono il rischio di accendere l'arnese elettrico accidentalmente.
- d) **Conservare gli arnesi elettrici inattivi fuori dalla portata dei bambini e non permettere a persone che non hanno confidenza con l'arnese elettrico o con queste istruzioni di usare l'arnese elettrico.** Gli arnesi elettrici sono pericolosi per utenti inesperti.
- e) **Mantenere gli arnesi elettrici. Controllare il non allineamento o l'attacco di parti mobili, la rottura di parti ed ogni altra condizione che può influire sul funzionamento degli arnesi elettrici. Se è danneggiato, far riparare l'arnese elettrico prima dell'uso.** Molti incidenti sono causati da arnesi elettrici mantenuti male.
- f) **Mantenere gli arnesi da taglio affilati e puliti.** È meno probabile che si attacchino degli arnesi da taglio mantenuti correttamente con tagli affilate e questi sono anche più facili da controllare.
- g) **Usare l'arnese elettrico, gli accessori e le parti dell'arnese ecc, secondo queste istruzioni e nel modo pensato per il particolare tipo di arnese elettrico, tenendo conto delle condizioni di lavoro e del lavoro da svolgere.** L'uso dell'arnese elettrico per operazioni diverse da quelle pensate potrebbe causare situazioni pericolose.
- h) **Mantenere le impugnature e le superfici di presa asciutte, pulite e libere da olio e grasso.** Impugnature e superfici di presa scivolose non consentono di maneggiare e controllare in sicurezza l'utensile in situazioni impreviste.
- 5) Uso e manutenzione dell'utensile a batteria**
- a) **Ricaricare l'apparecchio esclusivamente con il caricabatterie specificato dal fabbricante.** Se si utilizza un caricabatterie di diverso tipo potrebbero verificarsi incendi.
- b) **Utilizzare gli utensili elettrici solo con i pacchi batterie appositamente prescritti.** L'uso di pacchi batterie di diverso tipo aumenta il rischio di infortunio o incendio.
- c) **Quando il pacco batterie non è in uso, tenerlo lontano da oggetti metallici quali fermagli, monete, chiavi, chiodi, viti o altri piccoli oggetti metallici che potrebbero mettere in collegamento i due poli.** Se i poli vengono messi in corto circuito, la batteria potrebbe emettere scintille o fiammate.
- d) **In condizioni di uso scorretto, la batteria potrebbe emettere liquido: evitare pertanto di entrarvi in contatto. In caso di contatto accidentale, risciacquare con acqua. Se il**

liquido entra a contatto con gli occhi, consultare immediatamente un medico. Il liquido emesso dalla batteria può causare irritazioni o ustioni.

- e) **Non utilizzare un pacco batterie o l'utensile se danneggiati o manomessi.** Pacchi batterie danneggiati o manomessi potrebbero avere comportamenti imprevedibili con il rischio di incendiarsi, esplodere o provocare lesioni a persone.
- f) **Non esporre un pacco batterie o l'utensile alle fiamme o a temperature eccessivamente elevate.** L'esposizione alle fiamme o a temperature superiori a 130 °C potrebbe provocare un'esplosione. NOTA: la temperatura di "130 °C" corrisponde a "265 °F".
- g) **Seguire tutte le istruzioni per la ricarica e non caricare il pacco batterie o l'utensile a temperature che non rientrino nell'intervallo specificato nelle istruzioni.** Se si effettua la ricarica in modo improprio o a temperature non comprese nell'intervallo specificato, il pacco batterie potrebbe subire danni e potrebbe aumentare il rischio di incendi.

6) Riparazione

- a) **L'assistenza per l'elettrodomestico deve essere prestata da un tecnico qualificato che utilizzi soltanto ricambi originali.** In questo modo viene garantita la sicurezza dell'elettrodomestico.
- b) **Non tentare di riparare pacchi batterie danneggiati.** La riparazione dei pacchi batteria deve essere effettuata esclusivamente dal produttore o presso centri di assistenza autorizzati.

Sicurezza elettrica

Va osservato che nessun liquido può essere diretto direttamente su dispositivi elettrici e apparecchiature contenenti componenti elettrici. In caso di utilizzo erraneo o se le batterie sono danneggiate, il liquido infiammabile può essere espulso dalle batterie. Evitare il contatto con questo liquido. In caso di contatto accidentale, sciacquare con abbondante acqua. Se il liquido entra in contatto con gli occhi, richiedere ulteriore assistenza medica.

- Non aprire mai l'irroratore a pressione o svitare l'ugello quando l'irroratore a pressione è ancora pressurizzato. Per evitare lesioni, non collegare mai l'irroratore a pressione a un compressore d'aria.
- Tenere sempre l'irroratore a pressione in posizione verticale prima di tirare la valvola di sicurezza. Quando si spruzzano insetticidi,

erbicidi e fungicidi o altri prodotti fitosanitari liquidi, è necessario rispettare tutte le misure precauzionali speciali specificate dal produttore del prodotto che si sta utilizzando.



Prima di aprire il serbatoio dell'irroratore a pressione, rilasciare completamente la pressione tirando la valvola di sicurezza.

PERICOLO! Le parti di piccole dimensioni possono essere facilmente ingerite. Inoltre, il sacchetto di plastica presenta un rischio di soffocamento per i bambini. Tenere lontani i bambini durante l'assemblaggio del prodotto.

Sicurezza operativa

ATTENZIONE: il serbatoio può essere riempito soltanto con un massimo di 5 litri di liquido.

- Ispezionare visivamente l'irroratore a pressione prima di ogni utilizzo.
- Non lasciare mai l'irroratore a pressione incustodito e non conservarlo per lunghi periodi quando è pieno e pressurizzato per lunghi periodi.
- Tenere l'unità fuori dalla portata dei bambini. L'utente è responsabile della sicurezza degli altri.
- Tenere l'irroratore a pressione lontano da fonti di calore e ambienti caldi.
- Avvitare saldamente a mano l'impugnatura della pompa (non utilizzare attrezzi) e assicurarsi che l'O-ring sia posizionato correttamente.
- L'interruttore di accensione/spengimento può essere posizionato su "I" soltanto quando l'impugnatura della pompa è avvitata sul contenitore.
- Caricare la batteria soltanto a una temperatura ambiente compresa tra 0 °C e + 40 °C. Se la temperatura della batteria è al di fuori dell'intervallo di temperatura di carica consentito, non è possibile ricaricare la batteria. Non appena viene raggiunto l'intervallo di temperatura consentito, la batteria viene caricata.

Sicurezza della pulizia

- Scaricare la pressione dopo ogni utilizzo, svuotare il contenitore, pulirlo accuratamente e sciacquare con acqua pulita. Quindi lasciare aperto l'irroratore a pressione e lasciarlo asciugare.
- Non smaltire fluidi residui nella rete fognaria (impianti di smaltimento locali).

- Pulire sempre l'irroratore a pressione prima di utilizzare un prodotto diverso per evitare reazioni chimiche.
- Quando si utilizzano più irroratori a pressione, i serbatoi e l'ugello di spruzzatura non possono essere scambiati tra loro.

Sicurezza di conservazione:

- Prima di riporlo, allentare il tappo del serbatoio e svuotare sempre completamente l'irroratore a pressione (anche dopo averlo pulito con acqua).
- Conservare al riparo dal gelo.
- Trasportare l'irroratore a pressione per la cinghia di trasporto o per la maniglia.
- Assicurarsi che il prodotto sia protetto dalla luce solare diretta. Il prodotto potrebbe riscaldarsi.

2. INFORMAZIONI RELATIVE ALL'APPARECCHIO

Uso previsto

L'irroratore a pressione è destinato alla distribuzione di liquidi privi di solventi, ad esempio: pesticidi¹, erbicidi¹, fertilizzanti¹ e detersivi per finestre¹ nei giardini e negli orti domestici.

Non deve essere utilizzato in luoghi pubblici, parchi, palazzetti dello sport o in agricoltura o silvicoltura. La conformità alle specifiche di questo manuale operativo è un requisito per l'uso corretto dell'irroratore a pressione.



Avvertenza

1. Non utilizzare pistole per spruzzare materiali infiammabili.
2. Tenere presenti eventuali pericoli presentati dal materiale da spruzzare e le istruzioni per consultare i contrassegni sul contenitore o le informazioni fornite dal produttore del materiale da spruzzare.
3. Non spruzzare materiali ove non sono noti i rischi.
4. Non pulire le pistole con solventi infiammabili.

¹ Secondo la legge sulla protezione delle piante, nonché la legge sui detersivi e sui detergenti, possono essere utilizzati esclusivamente agenti autorizzati (rivenditori specializzati autorizzati).

DATI TECNICI

N° modello.	PS504DC
Capacità max	5L
Tensione	4V
Connessione USB	USB-C
Lunghezza del tubo della pistola a spruzzo (compresa l'impugnatura della pistola a spruzzo)	15-50CM
Tempo di funzionamento	2 ore
Tempo di ricarica	2 ore
Uscita della pressione	0,3L/Min
Temperatura di funzionamento dell'acqua max	60 °C
Pressione sonora (Lpa)	52,8 + 3 dB(A)
Potenza acustica (Lwa)	63,8 + 3 dB(A)
Vibrazioni	0,205 + 1,5 m/s ²

Livello di emissione di vibrazioni

Il valore totale delle vibrazioni dichiarato è stato misurato secondo un metodo di collaudo standard EN 60745-1 & EN50580 e può essere utilizzato per confrontare uno utensile con un altro; Il valore totale delle vibrazioni dichiarato può essere utilizzato anche in una valutazione preliminare dell'esposizione.

- L'emissione di vibrazioni durante l'uso effettivo dell'elettro utensile può differire dal valore totale dichiarato a seconda delle modalità di utilizzo dell'utensile.
- Necessità di individuare misure di sicurezza a tutela dell'operatore che si basino su una stima dell'esposizione nelle condizioni effettive di utilizzo (tenendo conto di tutte le parti del ciclo operativo quali i tempi di spegnimento dell'utensile e di funzionamento a vuoto in aggiunta al tempo di attivazione).

DESCRIZIONE

I numeri che compaiono nel testo si riferiscono alle figure riportate alle pagine 2-4.

1. Irroratore
2. Dado di chiusura dell'ugello
3. Ugello corto
4. Ugello lungo
5. Tubo flessibile
6. Serbatoio
7. Maniglia del serbatoio

8. Anello del serbatoio
9. Valvola di sicurezza
10. Cinghia di trasporto
11. Cavo di ricarica (in dotazione)
12. Indicatore di carica
13. Interruttore di accensione/spegnimento
14. Filtro del tubo
15. Spia di indicazione della batteria
16. Alloggiamento ugello
17. Indicatore del livello del liquido

3. ASSEMBLAGGIO

Ugelli (Fig. B)

Al primo utilizzo, l'ugello corto (3) è assemblato sull'irroratore (1)

- Rimuovere il dado di chiusura dell'ugello (2)
- Rimuovere e sostituire l'ugello corto (3) o lungo (4)
- Posizionare il dado di chiusura dell'ugello (2) e serrare a mano.



Verificare che il tubo (5) sia ancora ben collegato all'irroratore (1) e all'anello del serbatoio (8), se necessario serrare i dadi a mano.

Cinghia di trasporto

- Fissare la cinghia di trasporto al serbatoio.

4. FUNZIONAMENTO

Caricamento dell'irroratore (Fig. C)

Inserire il cavo del caricabatterie (in dotazione) nell'adattatore (non in dotazione).

- Inserire il cavo del caricabatterie (11) nell'irroratore
- Inserire la spina del caricabatterie in una presa elettrica; dopo alcuni secondi la spia di indicazione del caricabatterie (12) si accende e mostra lo stato di carica.

Per caricare completamente la batteria possono essere necessarie fino a 2 ore.

Controllo dello stato della batteria (Fig. D)

La spia di indicazione della batteria (15) mostra il livello residuo della batteria quando viene premuto l'interruttore di accensione/spegnimento (13).

La spia di indicazione della batteria (15) ha due luci che indicano il livello residuo. A seconda del numero di luci acceso si determina la capacità di carica della batteria.

Se è illuminata una luce, significa che la batteria è quasi completamente scarica e dovrebbe essere ricaricata immediatamente.

Per spruzzare il liquido (Fig. E)

Nota: Si prega di osservare le istruzioni di sicurezza e di dosaggio fornite dal produttore del prodotto che si intende irrorare.

1. Tirare la valvola di sicurezza (9). Vedere la Fig. E1
2. Svitare la maniglia del serbatoio (7) e riempire il serbatoio (6). Vedere la Fig. E2.
* Se necessario, aggiungere liquido additivo
3. Riavvitare la maniglia del serbatoio (7) sul serbatoio (6).



Verificare che il tubo (5) sia ancora ben collegato all'irroratore (1) e all'anello del serbatoio (8), se necessario serrare i dadi a mano.

4. Premere e tenere premuto l'interruttore di accensione/spegnimento (13) sull'irroratore per spruzzare
5. Quando si è terminata l'operazione, rilasciare il pulsante sull'irroratore per arrestarlo

Regolare la pistola di spruzzo dalla punta dell'ugello (Fig. E4)

L'acqua può essere spruzzata dalla punta dell'ugello (3+4) sia linearmente che a ventaglio. Per prima cosa accendere l'irroratore, quindi regolare la punta dell'ugello ruotandola in senso orario e antiorario, come illustrato nella Fig. E4.

Indicatore del livello del liquido (17)

Il serbatoio (6) ha una linea trasparente che mostra il livello del liquido nel serbatoio.

Questo può essere utilizzato anche come misurino, con indicazione per litri.

5. MANUTENZIONE

Pulizia

Pulisci sempre l'irroratore a pressione dopo la spruzzatura. Utilizzare l'irroratore a pressione solo con acqua pulita (possibilmente con l'aggiunta di detersivo per piatti) e spruzzare a vuoto. Vengono pulite le valvole, l'irroratore (1), gli ugelli (3+4), il tubo (5) e il filtro del tubo (14) all'interno del serbatoio.

Tirare la valvola di sicurezza (9) per vedere se presenta qualche blocco per garantire un funzionamento regolare.

Conservazione (Fig F1, F2)

- Posizionare l'irroratore sul supporto posizionato sull'anello del serbatoio, come mostrato nella Fig. F1.
- L'ugello non collegato all'irroratrice può essere riposto nell'apposito alloggiamento (16) come mostrato in Fig. F2.



Conservare l'irroratore a pressione in un luogo protetto dal gelo.

Per pulire il filtro del tubo (Fig. F1)

Svitare la maniglia del serbatoio e rimuovere il tubo all'interno del serbatoio. Pulire il filtro (14). Dopo la pulizia, riposizionare il filtro sul tubo del serbatoio e il tubo all'interno del serbatoio.

È presente del liquido nel serbatoio ma l'irroratore non spruzza

- Verificare che l'irroratore sia completamente carico
- Verificare che tutti i tubi (anche all'interno del serbatoio) siano collegati correttamente, se necessario ricollegare e serrare i dadi necessari.
- Scaricare la pressione tirando la valvola di sicurezza.

RISPETTO AMBIENTALE



Le apparecchiature elettriche o elettroniche difettose e/o scartate devono essere raccolte presso gli opportuni siti di riciclaggio.

Solo per i Paesi CE

Non smaltire gli elettrodomestici insieme ai rifiuti domestici. Secondo la Direttiva europea 2012/19/

EC sui rifiuti delle apparecchiature elettriche ed elettroniche e relativa implementazione nelle normative locali, gli elettrodomestici ormai inutilizzabili devono essere raccolti separatamente e smaltiti in modo ecologico.

DEFINIZIONI DELLA GARANZIA

I prodotti VONROC sono sviluppati secondo i più elevati standard di qualità e viene garantita l'assenza di difetti nei materiali e nella manodopera per il periodo contrattuale a partire dalla data di acquisto originale. Qualora il prodotto dovesse subire un guasto qualsiasi durante questo periodo a causa di difetti nei materiali e/o nella manodopera, si prega di contattare direttamente il VONROC.

Le seguenti circostanze sono escluse da questa garanzia:

- Riparazioni e/o modifiche alla macchina sono state eseguite o tentate da centri di assistenza non autorizzati.
- Normale usura.
- L'utensile è stato abusato, utilizzato o manuttenuto in modo improprio.
- Sono state utilizzate parti di ricambio non originali

Ciò costituisce l'unica garanzia espressa o implicita fornita dall'azienda. Non esistono altre garanzie espresse o implicite che si estendono oltre il presente documento, ivi comprese le garanzie implicite di commerciabilità e idoneità per uno scopo particolare. In nessun caso VONROC sarà responsabile di eventuali danni incidentali o consequenziali. I rimedi dei rivenditori saranno limitati alla riparazione o sostituzione di unità o parti non conformi.

Il prodotto e il manuale per l'utente sono soggetti a modifiche. I dati tecnici possono essere modificati senza ulteriore notifica.

1. SÄKERHETSFÖRESKRIFTER

Läs de medföljande säkerhetsvarningarna, de tillkommande säkerhetsvarningarna och anvisningarna. Om inte säkerhetsvarningarna och anvisningarna följs kan detta orsaka elstötar, brand och/eller allvarliga kroppsskador. Behåll säkerhetsvarningarna och anvisningarna för framtida bruk.

Följande symboler används i bruksanvisningen eller på produkten:



Läs igenom bruksanvisningen.



Anger risk för personskada, dödsfall eller skada på verktyget om anvisningarna i denna handbok inte följs.



Deutet das Vorhandensein elektrischer Spannung an.



Använd skyddsglasögon.



Använd skyddsmask.



Skydda apparaten mot frost.



Kasta inte batteriet i eld.



Kasta inte batteriet i vatten.



Släng inte produkten i olämpliga behållare.



Separat återvinning av litiumjonbatteriet.



Produkten är i överensstämmelse med tillämpliga säkerhetsstandarder i EU-direktiven.

ALLMÄNNA SÄKERHETSFORESKRIFTER



Varning! Läs alla säkerhetsvarningar och alla anvisningar. Om inte alla instruktioner som anges nedan efterföljs kan detta leda till elstötar, eldsvåda och/eller allvarliga skada.

Spara dessa instruktioner.

Termen "elektriskt redskap" i varningarna som anges nedan hänvisar till elektriska verktyg (med sladd, anslutet till el-nätet) eller batteridrivna (sladdlösa) elektriska verktyg.

1) Arbetsutrymme

- Se till att arbetsutrymmet är städad och väl upplyst.** Stökiga och mörka utrymmen ger anledning till olyckor.
- Använd inte elektriska verktyg i explosiv luft, såsom i närheten av lättantändliga vätskor, gaser eller damm.** Elektriska verktyg åstadkommer gnistor som kan sätta eld på damm eller gas.
- Håll barn och obehöriga på avstånd när du använder ett elektriskt verktyg.** Om du blir distraherad kan du tappa kontrollen över verktyget.

2) El-säkerhet

- Stickkontakten till elektriska verktyg måste passa el-uttaget. Ändra aldrig på något sätt på stickkontakten. Använd inte adapterkontakter till jordade elektriska verktyg.** Oförändrade stickkontakter och passande uttag minskar risken för el-stötar.
- Undvik kroppskontakt med jordade ytor såsom rör, element, spisar och kylskåp.** Risken för el-stötar är större om din kropp är jordad.
- Låt inte elektriska verktyg utsättas för regn eller våta förhållanden.** Om det kommer in vatten i ett elektriskt verktyg ökar risken för el-stötar.
- Skada inte kabeln. Använd aldrig kabeln för att bära eller dra det elektriska verktyget eller för att dra ut stickkontakten. Håll sladden borta från höga temperaturer, olja, vassa kanter eller rörliga delar.** Skadade eller hoptrasslade kablar ökar risken för el-stötar.
- När du använder ett elektriskt verktyg utomhus måste förlängningskabeln vara lämplig för utomhusbruk.** Om man använder en förlängningskabel för utomhusbruk minskar risken för el-stötar.
- Använd jordfelskydd (RCD) om arbete med ett elverktyg i fuktig miljö är oundvikligt.** Användning av RCD minskar risken för elstötar.

3) Personlig säkerhet

- Var uppmärksam, titta på det du håller på med och använd sunt förnuft när du arbetar med ett elektriskt verktyg. Använd inte elektriska verktyg när du är trött eller står under inflytande av droger, alkohol eller mediciner.** Ett ögonblick ouppmärksamhet vid användandet av elektriska verktyg kan leda till allvarliga personskador.
- Använd personlig skyddsutrustning. Bär alltid skyddsglasögon.** Säkerhetsutrustning såsom skyddsmasker, skor med anti-halksula, hjälm eller hörselskydd som används vid rätt omständigheter kommer att minska personskador.

- c) **Förhindra oavsiktlig igångsättning. Se till att strömbrytaren är avslagen innan du sätter stickkontakten i eluttaget.** Om du bär elverktyg med fingret på brytaren eller strömsätter elverktyg vars brytare är aktiverad kan du råka ut för en olycka.
- d) **Ta bort skiftnycklar och skruvnycklar innan ett elektriskt verktyg slås på.** En skift- eller skruvnyckel som lämnas kvar fastsatt vid det elektriska verktygets roterande delar kan leda till personskada.
- e) **Sträck dig inte för långt. Se till att du alltid står stadigt och i balans.** På så sätt har du bättre kontroll över det elektriska verktyget i oväntade situationer.
- f) **Klä dig rätt. Bär inte löst sittande kläder eller smycken. Håll håret, kläder och handskar borta från rörliga delar.** Löst sittande kläder, smycken eller långt hår kan fastna i de rörliga delarna.
- g) **Om apparater för uppsugning och uppsamling av damm finns tillgängliga, se till att de ansluts och används korrekt.** Om sådana apparater används kan dammrelaterade faror minskas.
- h) **Låt inte erfarenheten som uppnås vid frekvent användning av verktyg låta dig bli för självsäker och ignorera verktygs säkerhetsprinciperna.** En oförsiktig handling kan orsaka allvarliga skador under bråkdelen av en sekund.
- 4) **Underhåll av elektriska verktyg**
- a) **Överbelasta inte ett elektriskt verktyg. Använd rätt sorts verktyg till det arbete du vill utföra.** Rätt sorts elektriskt verktyg gör arbetet bättre och säkrare i den hastighet det var designat för.
- b) **Använd inte verktyget om strömbrytaren är trasig.** Om ett elektriskt verktyg inte kan kontrolleras med hjälp av en strömbrytare är det farligt och måste lagas.
- c) **Koppla loss stickkontakten från verktyget innan du utför några justeringar, byter tillbehör eller förvarar det.** Med dessa preventiva säkerhetsåtgärder minskas risken för att det elektriska verktyget går på av misstag.
- d) **Förvara elektriska verktyg som inte är i bruk utom räckhåll för barn och låt inte personer som inte känner till verktyget eller dessa instruktioner använda det.** Elektriska verktyg är farliga i händerna på oerfarna användare.
- e) **Underhåll elektriska verktyg. Kontrollera att alla rörliga delar är i rät linje och fastsatta, att inga delar är trasiga och att de är korrekt monterade. Kontrollera även annat som kan påverka verktygets funktion. Om det elektriska verktyget är trasigt måste det repareras innan det tas i bruk.** Många olyckor förorsakas av dåligt underhållna elektriska verktyg.
- f) **Håll alltid sågande och skärande verktyg vassa och rena.** Sågande och skärande verktyg med vassa eggar/skär fastnar inte så lätt och är enklare att hålla kontroll över.
- g) **Använd det elektriska verktyget, dess tillbehör, borrar eller skärande delar etc. enligt dessa instruktioner och på det sätt som det är avsett för. Ta med förutsättningarna och det arbete som ska utföras i beräkningarna.** Att använda ett elektriskt verktyg för andra arbeten än det är avsett för kan resultera i farliga situationer.
- h) **Se till att handtagen är torra, rena och fria från olja och fett.** Hala handtag och grepppytor tillåter inte säker hantering och kontroll av verktyget i oväntade situationer.
- 5) **Användning och skötsel av batteri och laddare**
- a) **Använd endast den laddare som anges av tillverkaren.** En laddare som passar en typ av batteri kan orsaka brand om den används för ett annat batteri.
- b) **Använd endast elverktyget med ett batteripack som är avsett för verktyget.** Användning av andra batteripack kan medföra risk för skador och brand.
- c) **När du inte använder batteriet ska det förvaras så att inga små metallföremål som t.ex. gem, mynt, spikar, skruvar osv. kan kortsluta kontaktarna på batteriet.** Kortslutning av batterikontaktarna kan orsaka brännskador eller brand.
- d) **Under extrema förhållanden kan vätska läcka ut från batteriet; undvik kontakt. Skölj med vatten vid kontakt med kroppsdelar. Uppsök genast en läkare om du får vätska i ögonen.** Vätska från batteriet kan orsaka irritation eller frätskador.
- e) **Använd inte batterier eller verktyg som är skadade eller modifierade.** Skadade eller modifierade batterier kan uppvisa oförutsägbart beteende som kan leda till brand, explosion eller risk för skada.
- f) **Utsätt inte batteri eller verktyg för eld eller överdriven temperatur.** Exponering för brand eller temperatur över 130 °C kan orsaka explosion. OBS! Temperaturen "130 °C" kan ersättas med temperaturen "265 °F".
- g) **Följ alla laddningsanvisningar och ladda inte batteriet eller verktyget utanför det temperaturområde som anges i instruktionerna.** Om du laddar batteriet felaktigt eller vid temperaturer

utanför det angivna området kan det skada batteriet och öka risken för brand.

6) Service

- a) **Låt ditt elverktyg servas av en kvalificerad reparatör och enbart med originalreservdelar.** Detta säkerställer att elverktygets säkerhet upprätthålls.
- b) **Utför aldrig service på skadade batterier.** Service av batteri ska endast utföras av tillverkaren eller auktoriserade serviceleverantörer.

Elsäkerhet

Se till att ingen vätska kan komma i direkt kontakt med elektriska enheter eller utrustning som innehåller elektriska komponenter. Vid felaktig användning, eller om batterierna är skadade, kan brandfarlig vätska läcka från batterierna. Kontakt med denna vätska ska undvikas. Skölj med vatten vid oavsiktlig kontakt. Om vätskan kommer i kontakt med ögonen, sök läkarhjälp.

- Öppna aldrig trycksprutan eller skruva av munstycket när trycksprutan fortfarande är under tryck. För att förhindra skada får trycksprutan aldrig anslutas till en lufttryckskompressor.
- Håll alltid trycksprutan upprätt innan säkerhetsventilen dras av. Vid sprutning av insekticider, herbicider och fungicider eller andra flytande växtskyddsmedel måste du följa alla särskilda försiktighetsåtgärder som anges av tillverkaren av produkten du använder.



Innan tanken på trycksprutan öppnas måste trycket frigöras genom att dra i säkerhetsventilen.

FARA! Smådelar kan lätt sväljas. Det finns även risk att polypåsen kan kväva småbarn. Håll småbarn borta när du monterar produkten.

Driftsäkerhet

FÖRSIKTIGHET: Tanken får endast fyllas med högst 5 liter vätska.

- Inspektera trycksprutan visuellt före varje användning.
- Lämna aldrig din tryckspruta utan tillsyn och förvara den inte under långa perioder när den är full och trycksatt.
- Förvaras utom räckhåll för barn. Du är ansvarig för andras säkerhet.

- Håll din tryckspruta på avstånd från värmekällor och heta miljöer.
- Skruva fast pumphandtaget ordentligt för hand (använd inga verktyg) och se till att O-ringen är korrekt placerad.
- Strömbrytaren får endast ställas på "I" när pumphandtaget skruvats på behållaren.
- Ladda batteriet endast vid en omgivningstemperatur som är mellan 0 °C och +40 °C. Om batteriets temperatur ligger utanför det tillåtna laddningstemperaturområdet kan batteriet inte laddas. När det tillåtna temperaturintervallet uppnåtts är batteriet laddat.

Säkerhet vid rengöring

- Frigör trycket efter varje användning, töm behållaren, rengör den noggrant och skölj med rent vatten. Låt sedan tryckbehållaren vara öppen och torka.
- Kassera inga restvätskor i avloppssystemet (lokala deponeringssystem).
- Rengör alltid trycksprutan innan någon annan produkt används för att undvika kemiska reaktioner.
- När flera trycksprutor används får inte tankar och sprejmunstycken bytas mellan dem.

Säkerhet vid förvaring

- Innan förvaring, lossa tanklocket och töm alltid din tryckspruta helt (även efter rengöring med vatten).
- Förvaras frostfritt.
- Bär trycksprutan i bärremmen eller handtaget.
- Se till att produkten skyddas från direkt solljus. Produkten kan bli varm.

2. MASKININFORMATION

Avsedd användning

Trycksprutan är avsedd för att distribuera lösningsmedelsfri vätska, till exempel: bekämpningsmedel¹, herbicider¹, konstgödsel¹ och fönsterputsmedel¹ i hushållsträdgårdar och kolonilotter.

Den får inte användas på offentliga platser, i parker, sportanläggningar eller i jordbruk eller skogsbruk. Överensstämmelse med specifikationerna i denna bruksanvisning är ett krav för korrekt användning av trycksprutan.



Varning!

1. Använd inte pistoler för att spreja brandfarligt material.

2. Var uppmärksam på eventuella faror med materialet som sprutas och instruktioner att följa markeringarna på behållaren eller informationen från tillverkaren av materialet som ska sprutas.
3. Spreja inte något material där faran inte är känd.
4. Rengör inte pistoler med brandfarliga rengöringsmedel.

¹ Enligt växtskyddslagen samt lagen om tvätt- och rengöringsmedel får endast godkända medel användas (auktoriserade fackhandlare).

TEKNISKA SPECIFIKATIONER

Modellnr.	PS504DC
Maxkapacitet	5L
Spänning	4V
USB-anslutning	USB-C
Sprejrörlängd (inklusive sprejhandtag)	15-50CM
Arbetstid	2 timmar
Laddningstid	2 timmar
Utgångstryck	0,3L/Min
Max driftstemperatur på vattnet	60 °C
Ljudtrycknivå LPA	52,8 + 3 dB(A)
Ljudeffekt (LWA)	63,8 + 3 dB(A)
Vibration	0,205 + 1,5 m/s ²

Vibrationsnivå

Det deklarerade totala vibrationsvärdet har uppmätts i enlighet med en standardtestmetod EN 60745-1 & EN50580 och kan användas för att jämföra ett verktyg med ett annat; Det deklarerade vibrationsvärdet kan även användas i en preliminär exponeringsbedömning.

- Vibrationen under faktisk användning av elverktyget kan skilja sig från det deklarerade totala värdet beroende på hur verktyget används.
- Behov att identifiera säkerhetsåtgärder för att skydda operatören baserat på en uppskattning av exponeringen under de faktiska användningsförhållandena (bedömningen ska även ta hänsyn till alla moment i arbetscykeln, t.ex. när verktyget är avstängt och när det går på tomgång såväl som när det faktiskt används).

BESKRIVNING

Siffrorna i texten hänvisar till diagrammen på sidorna 2-4.

1. Spruta
2. Munstycksmutter
3. Kort munstycke
4. Långt munstycke
5. Slang
6. Tank
7. Tankhandtag
8. Tankring
9. Frigöringsventil
10. Bärrem
11. Laddkabel (medföljer)
12. Laddningsindikeringslampa
13. Strömbrytare
14. Slangfilter
15. Batterindikeringslampa
16. Munstycksförvaring
17. Vätskenivåindikator

3. MONTERING

Munstycken (Fig. B)

Vid första användning monteras det korta munstycket (3) på sprutan (1)

- Avlägsna munstycksmuttern (2)
- Avlägsna och sätt tillbaka det korta (3) eller långa munstycket (4)
- Placera munstycksmuttern (2) och skruva åt för hand.



Kontrollera om slangen (5) fortfarande är ordentligt ansluten till sprutan (1) och till tankringen (8), vid behov dras muttrarna åt för hand.

Bärrem

- Fäst bärremmen på tanken.

4. ANVÄNDNING

Laddning av spruta (Fig. C)

Anslut laddarkabeln (11) (ingår) i en adapter (ingår ej).

- Anslut laddarkabeln (11) till sprutan.
- Anslut laddarens kontakt till ett eluttag. Efter några sekunder tänds laddarens indikeringslampa (12) och visar laddningsstatus.

Det kan ta upp till 2 timmar att fulladda batteriet.

Kontroll av batteristatus (Fig. D)

Batteriidikeringslampan (15) visar återstående batterinivå när strömbrytaren (13) trycks ned.

Batteriidikeringslampan (15) har två lampor som indikerar återstående nivå. Ju fler lampor som är tända, desto mer kapacitet har batteriet kvar.

När en lampa lyser betyder det att batteriet nästan är tomt och måste laddas.

För att spreja vätskan (Fig. E)

Notera: Observera säkerhets- och doseringsinstruktionerna från tillverkaren av produkten du ska spreja.

1. Dra ut frigöringsventilen (9). Se Fig. E1.
2. Skruva av tankhandtaget (7) och fyll tanken (6). Se Fig. E2.
* Tillsätt eventuellt tillsatsvätska.
3. Skruva tillbaka tankhandtaget (7) på tanken (6).



Kontrollera om slang (5) fortfarande är ordentligt ansluten till sprutan (1) och till tankringen (8), vid behov dras muttrarna åt för hand.

4. Tryck och håll in strömbrytaren (13) på sprutan för att spreja
5. När du sprejat klart, släpp knappen på sprutan så att den stannar

Justera sprej får munstycksspetsen (Fig. E4)

Vatten kan sprejas ut från munstycksspetsen (3+4), antingen linjärt eller i en fläktform. Starta först sprutan och justera sedan munstycksspetsen genom att vrida den med- eller moturs. Såsom visas i Fig. E4.

Vätskenivåindikator (17)

Tanken (6) har en transparent linje som visar vätskenivån i tanken. Denna kan även utnyttjas som mätkopp, angivet per liter.

5. UNDERHÅLL**Rengöring**

Rengör alltid din tryckspruta efter användning. Använd trycksprutan endast med rent vatten (eventuellt med tillsats av diskmedel) och spreja den tom. Ventilerna, sprutan (1), munstyckena (3+4), slang (5) och slangfiltret (14) inuti tanken rengörs.

Dra frigöringsventilen (9) för att se om något förhindrar smidigt flöde.

Förvaring (Fig F1, F2)

- Placera sprutan på hållaren på tankringen. Såsom visas i Fig. F1
- Munstycket som inte är monterat på sprutan kan förvaras på munstycksförvaringen (16) såsom visas på Fig. F2.



Förvara trycksprutan på en frostfri plats.

Rengöring av slangfilter (Fig. F1)

Skruva av tankhandtaget och lossa slang (5) inuti tanken. Rengör filtret (14). Efter rengöring placeras filtret tillbaka på tankslangen och slang (5) inuti tanken.

Det finns vätska i tanken men sprutan sprejar inte.

- Kontrollera om sprutan är fulladdad
- Kontrollera att alla slangar (även inne i tanken) är ordentligt anslutna, anslut om nödvändigt och dra åt nödvändiga muttrar.
- Frigör trycket genom att dra i frigöringsventilen.

MILJÖ

Felaktig och/eller kasserad elektrisk eller elektronisk utrustning måste lämnas in på lämpliga återvinningsstationer.

Endast för EU-länder

Släng inte elverktyg i hushållsavfallet. Enligt det europeiska WEEE-direktivet 2012/19/EU för avfall från elektrisk och elektronisk utrustning och dess tillämpning nationellt ska elverktyg som inte längre kan användas samlas in separat och kasseras på ett miljövänligt sätt.

GARANTI

VONROC produkter är utvecklade enligt högsta kvalitetsstandard och garanteras vara utan defekter både vad gäller material och tillverkning under den period som stipuleras enligt lag med början från ursprungligt inköpsdatum. Om något fel uppstår på produkten under denna period på grund av material- och/eller tillverkningsfel skall VONROC kontaktas direkt.

Följande omständigheter exkluderas från denna garanti:

- Reparationer eller ändringar som gjorts eller försökt göras på maskinen av ett icke auktoriserat servicecenter.
- Normalt slitage.
- Verktøget har missbrukats, använts fel eller underhållits på felaktigt sätt.
- Icke-originalreservdelar har använts.

Detta utgör hela garantin från företaget, antingen uttryckt eller underförstått. Det finns inga andra garantier, uttalade eller underförstådda som gäller utöver ordalydelsen härav, häri, inklusive de uttalade garantierna för säljbarhet och lämplighet för ett särskilt syfte. Under inga omständigheter skall VONROC hållas ansvarig för några oförutsedda eller indirekta skador. Återförsäljarens åtgärder skall begränsas till reparation eller byte av felaktiga enheter eller delar.

Med förbehåll för ändringar i produkten och bruksanvisningen. Specifikationer kan ändras utan förvarning.

1. SIKKERHEDSANVISNINGER

Læs de medfølgende sikkerhedsadvarsler, de supplerende sikkerhedsadvarsler og instruktionerne. Såfremt sikkerhedsadvarsler og instruktioner ikke følges, kan dette medføre elektriske stød, brand og/eller alvorlige ulykker. Gem alle sikkerhedsadvarsler og instruktioner til fremtidig reference.

Følgende symboler anvendes i denne brugermanual eller på produktet:



Læs brugermanualen.



Angiver risiko for personskade, dødsfald eller beskadigelse af varmeren i tilfælde af manglende overholdelse af anvisningerne i denne vejledning.



Indikerer farer for elektrisk stød.



Brug beskyttelsesbriller.



Bær en støvmaske.



Beskyt apparatet mod frost.



Kast ikke batteriet ind i åben ild.



Kast ikke batteriet ind i vand.



Kassér ikke produktet i en forkert container.



Separat aflevering af Li-ion batteri.



Produktet overholder de gældende sikkerhedsstandarder i de europæiske direktiver.

GENERELLE SIKKERHEDSFORSKRIFTER



Advarsel! Læs alle sikkerhedsadvarsler og alle anvisninger. Hvis alle nedenstående instruktioner ikke følges, kan det resultere i elektrisk stød, brand og/eller alvorlig personskade.

Gem disse instruktioner.

Udtrykket "elektrisk maskine" i alle advarslerne nedenfor henviser til elektriske maskiner/værktøj/redskaber, der via en ledning tilkobles elnettet eller strømforsynes via batteri (accu).

1) Arbejdsområde

- a) **Arbejdsområdet skal være rent og tilstrækkeligt belyst.** Rodede og mørke arbejdsområder giver større risiko for ulykker.
- b) **Brug ikke elektriske maskiner i eksplosive omgivelser, f.eks. i nærheden af brandfarlige væsker, gasser eller støv.** Elektriske maskiner frembringer gnister, som kan antænde støv eller dampe.
- c) **Hold børn og omkringstående på afstand, når der bruges elektriske maskiner.** Hvis man distraheres, kan man miste kontrollen over den elektriske maskine.

2) Elektrisk sikkerhed

- a) **Stik til elektriske maskiner skal passe til stikkontakten. Der må ikke foretages ændringer af stikket. Brug ikke snydepropper til jordede (jordforbundne) elektriske maskiner.** Originale stik og tilsvarende kontakter mindsker risikoen for elektrisk stød.
- b) **Undgå kropskontakt med jordede eller jordforbundne overflader som f.eks. rør, radiatorer, komfurer og køleskabe.** Der er øget risiko for elektrisk stød, hvis kroppen er jordet eller jordforbundet.
- c) **Elektriske maskiner må ikke udsættes for regn eller våde omgivelser.** Hvis der kommer vand i den elektriske maskine, øges risikoen for elektrisk stød.
- d) **Brug ikke ledningen forkert. Brug ikke ledningen til at bære eller trække maskinen og heller ikke for at tage ledningen ud af stikkontakten. Hold ledningen væk fra stærk varme, olie, skarpe kanter og bevægelige dele.** Beskadigede eller filtrerede ledninger øger risikoen for elektrisk stød.
- e) **Når en elektrisk maskine bruges udendørs, skal man bruge en forlængerledning, der er beregnet til udendørs brug.** Hvis der bruges en forlængerledning, der er beregnet til udendørs brug, mindskes risikoen for elektrisk stød.
- f) **Hvis det ikke kan undgås at bruge et maskinværktøj i et fugtigt miljø, bør du anvende en forsyning, der er beskyttet af en fejlstrømsafbryder (RCD).** Brugen af en RCD reducerer risikoen for elektrisk stød.

3) Personlig sikkerhed

- a) **Vær agtpågivende, hold øjnene rette mod det, du laver, og brug almindelig sund fornuft, når du bruger en elektrisk maskine. Brug ikke en elektrisk maskine, hvis du er træt eller er under påvirkning af narkotika, alkohol eller medicin.** Et øjeblikks uopmærksomhed under arbejdet med en elektrisk

maskine kan resultere i alvorlig personskade.

- b) **Brug personligt sikkerhedsudstyr. Brug altid beskyttelsesbriller.** Sikkerhedsudstyr som støvmaske, skridsikre sko, hjelm eller høreværn, brugt når det er nødvendigt, mindsker risikoen for personskade.
- c) **Undgå utilsigtet start. Sørg for, at der er slukket på afbryderen, før stikket sættes i stikkontakten.** Hvis maskinværktøj bæres med fingeren på kontakten, eller når maskinværktøj strømføres med tændt kontakt, kan der nemt ske ulykker.
- d) **Fjern justeringsnøgler og tænger, før der tændes for den elektriske maskine.** En tang eller nøgle, der sidder på en roterende del af den elektriske maskine, kan resultere i personskade.
- e) **Ræk ikke for langt ud. Stå sikkert på fødderne og vær altid i god balance.** Det giver bedre kontrol over maskinen i uventede situationer.
- f) **Tag passende tøj på. Bær ikke løstsiddende tøj eller smykker. Hold hår, tøj og handsker væk fra bevægelige dele.** Løstsiddende tøj, smykker eller langt hår kan blive grebet af bevægelige dele.
- g) **Hvis der forefindes tilslutning til støvudsugning og -opsamling, skal man sørge for, at udstyret er tilsluttet og bruges.** Brug disse muligheder for at mindske risikoen for støvrelaterede risici.
- h) **Lad ikke kendskab opnået gennem hyppig brug af værktøj lade dig blive tilbagelænet og ignorere værktøjssikkerhedsprincipper.** En skodesløs handling kan forårsage alvorlig personskade inden for en brøkdels af et sekund.

4) Brug og behandling af elektriske maskiner

- a) **Brug ikke magt på den elektriske maskine. Brug kun den elektriske maskine til det, den er beregnet til.** Den rette elektriske maskine gør arbejdet bedre og mere sikkert ved den effekt, der er foreskrevet.
- b) **Brug ikke den elektriske maskine, hvis afbryderen ikke kan tænde og slukke.** En elektrisk maskine, der ikke kan tændes og slukkes på afbryderen, er farlig og skal repareres.
- c) **Tag stikket ud af stikkontakten før justering, udskiftning af tilbehør, og før den elektriske maskine gemmes væk.** Sådanne forebyggende sikkerhedsforanstaltninger mindsker risikoen for, at den elektriske maskine starter ved et uheld.
- d) **Elektriske maskiner, der ikke bruges, skal opbevares utilgængeligt for børn, og personer, der ikke har kendskab til den elektriske maskine eller disse instruktioner, må ikke bruge den elektriske maskine.** Elektriske maskiner er

- farlige i hænderne på uøvede personer.
- e) **Elektriske maskiner skal vedligeholdes. Check for forkert justering og fastsiddende bevægelige dele, defekte dele og andre ting, som kan påvirke den elektriske maskines korrekte funktion. Hvis den elektriske maskine er beskadiget, skal den repareres før brug.** Mange ulykker skyldes, at elektriske maskiner er dårligt vedligeholdt.
- f) **Skærende værktøj skal holdes skarpe og rene.** Korrekt vedligeholdt skærende værktøj med skarpe skær kommer ikke så let til at sidde fast og er nemmere at styre.
- g) **Brug den elektriske maskine, tilbehør, tool-bits osv. i henhold til disse instruktioner og på den måde, som denne specielle maskine er beregnet til, idet man skal tage hensyn til arbejdsforholdene og arbejdet, der skal udføres.** Brug af den elektriske maskine til andet, end den er beregnet til, kan resultere i farlige situationer.
- h) **Hold håndtag og gribeblader tørre, rene og fri fra olie og fedtstof.** Glatte håndtag og gribeblader giver ikke mulighed for sikker håndtering og kontrol af værktøjet i uventede situationer.
- 5) Batteriværktøj anvendelse og vedligeholdelse**
- a) **Genoplad kun med oplader som er specificeret af fabrikanten.** En oplader som er anvendelig for en type batteripakning kan forårsage brand, når den anvendes med en anden batteripakning.
- b) **Anvend kun elektroværktøj med særlig egnede batteripakninger.** Anvendelse af enhver anden batteripakning kan give risiko for ulykker og brandfare.
- c) **Når batteripakning ikke anvendes, holdes det altid på afstand af enhver metalgenstand såsom papirklips, mønter, nøgler, søm eller andre små metal genstande der kan lave en forbindelse fra én terminal til en anden.** Ved at kortslutte batteriterminalerne sammen kan forårsage brandfare.
- d) **Under dårlige forhold kan væske udløbe fra batteriet; undgå kontakt med dette. Hvis kontakt alligevel forekommer, skylles der med vand. Hvis væske kommer i øjnene, skal der øjeblikkeligt søges lægehjælp.** Væske som udløber fra batteriet kan forårsage irritationer og forbrændinger.
- e) **Brug ikke en batteripakke eller et værktøj, der er beskadiget eller modificeret.** Beskadigede eller modificerede batterier kan udvise uforudsigelig adfærd, hvilket resulterer i brand, eksplosion eller risiko for personskade.
- f) **Undlad at udsætte en batteripakke eller et værktøj for åben ild eller for høj temperatur.**

Udsættelse for åben ild eller temperatur over 130 °C kan forårsage eksplosion.
BEMÆRK Temperaturen „130 °C“ kan erstattes af temperaturen „265 °F“.

- g) **Følg alle opladningsinstruktioner, og oplad ikke batteripakken eller værktøjet uden for temperaturintervallet specificeret i instruktionerne.** Forkert opladning eller opladning ved temperaturer uden for det specificerede interval kan beskadige batteriet og øge risikoen for brand.
- 6) Service**
- a) **Få foretaget service på dit maskinværktøj af en kvalificeret reparatør, der kun bruger identiske udskiftingsdele.** Dette sikrer, at maskinværktøjet fortsat er sikkert at bruge.
- b) **Foretag aldrig service på beskadigede batteripakker.** Service af batteripakker bør kun udføres af producenten eller autoriserede serviceudbydere.

El-sikkerhed

Det skal bemærkes, at der ikke må rettes nogen væske direkte mod elektriske apparater og udstyr, der indeholder elektriske komponenter. Hvis batterierne bruges forkert, eller hvis batterierne er beskadigede, kan der komme brændbar væske ud af batterierne. Kontakt med denne væske bør undgås. Skyl af med vand, hvis der skulle opstå kontakt ved et uheld. Søg yderligere lægehjælp, hvis væsken kommer i kontakt med dine øjne.

- Du må aldrig åbne tryksprøjten eller skruer dysen af, mens tryksprøjten stadig er under tryk. For at forhindre personskade må du aldrig slutte tryksprøjten til en luftkompressor.
- Hold altid tryksprøjten lodret, før der trækkes i sikkerhedsventilen. Når du sprøjter insekticider, herbicider og fungicider eller andre flydende plantebeskyttelsesmidler skal du overholde alle specielle forholdsregler, som er angivet af producenten af det produkt, du bruger.



Før du åbner tryksprøjten tank, skal du frigive trykket grundigt ved at trække i sikkerhedsventilen.

FARE! Små dele kan let sluges. Der er også risiko for, at plastikposen kan kvæle småbørn. Hold småbørn væk, når du samler produktet.

Driftssikkerhed

FORSIGTIG: Tanken må kun fyldes med maks. 5 liter væske.

- Efterse tryksprøjterens visuelt før hver brug.
- Efterlad aldrig din tryksprøjte uden opsyn, og læg den ikke til opbevaring i lange perioder, når den er fyldt og under tryk.
- Hold enheden uden for børns rækkevidde. Du er ansvarlig for andres sikkerhed.
- Hold din tryksprøjte væk fra varmekilder og varme omgivelser.
- Skru pumpehåndtaget fast med hånden (brug ikke værktøj), og sørg for, at O-ringen er placeret korrekt.
- Tænd/sluk-kontakten må kun stilles på "I", når pumpehåndtaget er skruet på beholderen.
- Oplad kun batteriet ved en omgivelsestemperatur, som er mellem 0 °C og + 40 °C. Hvis batteriets temperatur er uden for det tilladte opladningstemperaturområde, kan batteriet ikke oplades. Så snart det tilladte temperaturområde er nået, oplades batteriet.

Sikkerhed ved rengøring

- Frigiv trykket efter hver brug, tøm beholderen, rengør den omhyggeligt og skyl den med rent vand. Lad derefter tryksprøjten stå åben og lad den tørre.
- Bortskaf ikke væskerester i kloaksystemet (lokale bortskaffelsessystemer).
- Rengør altid tryksprøjten, før du bruger et andet produkt, med henblik på at undgå kemiske reaktioner.
- Når du bruger flere tryksprøjter, må tankene og sprøjtedysen ikke udskiftes mellem dem.

Sikkerhed ved opbevaring

- Før opbevaring skal du løsne tankdækslet og altid tømme din tryksprøjte helt (også efter rengøring med vand).
- Opbevar den væk fra frost.
- Bær tryksprøjten i bæreremmen eller håndtaget.
- Sørg for, at produktet er beskyttet mod direkte sollys. Produktet kan blive varmet op.

2. MASKINOPLYSNINGER**Tilsigtet brug**

Tryksprøjten er beregnet til at distribuere opløsningsmiddelfri væske, for eksempel: pesticider¹, herbicider¹, gødning¹ og vinduespudsemiddel¹ i husholdningshaver og kolonihaver.

Den må ikke bruges på offentlige steder, i parker, sportsarenaer eller i landbrug eller skovbrug. Det er et krav, at specifikationerne i denne betjeningsvejledning overholdes for korrekt brug af tryksprøjten.

**Advarsel!**

1. Brug ikke pistoler til at sprøjte brandfarlige materialer.
2. Vær opmærksom på eventuelle farer forbundet med det materiale, der sprøjtes, og instruktioner om at se markeringerne på beholderen eller oplysningerne fra producenten af det materiale, der skal sprøjtes.
3. Sprøjt ikke noget materiale, hvor faren ikke er kendt.
4. Rengør ikke pistoler med brændbare opløsningsmidler.

¹ I henhold til loven om plantebeskyttelse samt loven om vaske- og rengøringsmidler må der kun anvendes godkendte midler (autoriserede specialforhandlere).

TEKNISKE SPECIFIKATIONER

Model nr.	PS504DC
Maks. kapacitet	5L
Spænding	4V
USB-forbindelse	USB-C
Sprøjteslangens længde (inklusive sprøjtehåndtag)	15-50CM
Driftstid	2 timer
Opladningstid	2 timer
Trykeffekt	0,3L/Min
Maks. vanddriftstemperatur	60 °C
Lydtrykniveau (LPA)	52,8 + 3 dB(A)
Lydeffekt (LWA)	63,8 + 3 dB(A)
Vibration	0,205 + 1,5 m/s ²

Vibrationsniveau

Den erklærede samlede vibrationsværdi er blevet målt i overensstemmelse med en standardtestmetode EN 60745-1 og EN50580 og kan bruges til at sammenligne et værktøj med et andet; Den erklærede samlede vibrationsværdi kan også bruges i en foreløbig vurdering af eksponeringen.

- Vibrationsemissionen under den reelle brug af el-værktøjet kan afvige fra den erklærede sam-

lede værdi afhængigt af de måder, værktøjet bruges på.

- Behovet for at identificere sikkerhedsforanstaltninger for at beskytte operatøren, der er baseret på en evaluering af eksponeringen under de faktiske anvendelsesbetingelser (hvor der bliver taget højde for alle procedurer under driftscyklussen, f.eks. de tidspunkter, hvor værktøjet er slukket, og når det kører i tomgang ud over udløsertiden).

BESKRIVELSE

Tallene i teksten henviser til diagrammerne på side 2-4.

1. Sprøjte
2. Møtrik til dyselukning
3. Kort dyse
4. Lang dyse
5. Slange
6. Tank
7. Tankhåndtag
8. Tankring
9. Sikkerhedsventil
10. Bærerem
11. Opladningskabel (inkluderet)
12. Indikatorlampe for opladning
13. Tænd/sluk-kontakt
14. Slangefilter
15. Batteriindikationslys
16. Dyseopbevaring
17. Indikator for væskniveau

3. SAMLING

Dyser (Fig. B)

Ved første brug monteres den korte dyse (3) på sprøjten (1)

- Fjern møtrikken til dyselukning (2).
- Fjern og udskift den korte (3) eller lange dyse (4).
- Placer møtrikken til dyselukning (2) og stram den med hånden.



Kontrollér, at slangen (5) stadig er forbundet godt til sprøjten (1) og til tankringen (8), og stram om nødvendigt møtrikkerne med hånden.

Bærerem

- Fastgør bæreremmen til tanken.

4. DRIFT

Opladning af sprøjten (Fig. C)

Sæt opladerkablet (11) (medfølger) ind i en adapter (medfølger ikke).

- Sæt opladerkablet (11) i sprøjten.
- Sæt opladerstikket ind i en stikkontakt, og efter et par sekunder vil opladerens indikatorlampe (12) lyse og vise opladningsstatussen.

Det kan tage op til 2 timer at lade batteriet helt op.

Kontrol af batteriets status (Fig. D)

Batteriindikationslyset (15) viser det resterende batteriniveau, når der trykkes på tænd/sluk-kontakten (13).

Batteriindikationslyset (15) har to lys, der indikerer det resterende niveau. Jo flere lys, der er tændt, des større kapacitet har batteriet tilbage.

Når et lys ikke lyser, betyder det, at batteriet næsten er tomt og bør oplades.

Sådan sprøjtes væsken (Fig. E)

Bemærk: Overhold sikkerheds- og doseringsinstruktionerne fra producenten af det produkt, du skal sprøjte.

1. Træk i sikkerhedsventilen (9). Se fig. E1.
2. Løsn tankhåndtaget (7) og fyld tanken (6). Se fig. E2.
* Tilsæt eventuelt tilsætningsvæske.
3. Skru tankhåndtaget (7) tilbage på tanken (6).



Kontrollér, at slangen (5) stadig er forbundet godt til sprøjten (1) og til tankringen (8), og stram om nødvendigt møtrikkerne med hånden.

4. Tryk og hold tænd/sluk-kontakten (13) nede på sprøjten for at sprøjte
5. Efter sprøjtingen skal du slippe knappen på sprøjten, så den stopper.

Juster sprøjten fra dysespidsen (Fig. E4)

Vand kan enten sprøjtes ud af dysen (3+4) lineært eller i en blæserform. Tænd først for sprøjten, og juster derefter dysespidsen ved at dreje den med og mod uret. Som vist i fig. E4.

Indikator for væskniveau (17)

Tanken (6) har en gennemsigtig linje, der viser væskniveauet i tanken. Denne kan også bruges som en målekop, indikeret pr. liter.

5. VEDLIGEHOLDELSE**Rengøring**

Rengør altid din tryksprøjte efter sprøjtning. Brug kun tryksprøjteren med rent vand (muligvis med tilføjelse af opvaskemiddel) og sprøjt, til den er tom. Ventilene, sprøjten (1), dyserne (3+4), slangen (5) og slangefilteret (14) i tanken rengøres.

Træk i sikkerhedsventilen (9) for at se, om der er en blokage, med henblik på problemfri drift.

Opbevaring (Fig F1, F2)

- Placer sprøjten på holderen, der er placeret på tankringen. Som vist i fig. F1
- Dysen, der ikke er fastgjort til sprøjten, kan opbevares på dyseopbevaringen (16), som vist i fig. F2.



Opbevar tryksprøjten et frostfrit sted.

Sådan rengøres slangefilteret (Fig. F1)

Løsn tankhåndtaget og fjern slange i tanken. Rengør filteret (14). Efter rengøring skal du sætte det påmonterede filter tilbage på tankslangen og slangen inde i tanken.

Der er væske i tanken, men sprøjten sprøjter ikke

- Kontrollér, om sprøjten er helt opladet
- Kontrollér, om alle slanger (også i tanken) er korrekt tilsluttet, og tilslut dem om nødvendigt og stram nødvendige møtrikker.
- Frigiv trykket ved at trække i sikkerhedsventilen.

MILJØ

Defekte og/eller bortskaffede elektriske og elektroniske apparater skal afleveres på en passende genbrugsstation.

Kun for EU-lande

Smid ikke el-værktøjer ud sammen med almindeligt affald. I henhold til de europæiske direktiver 2012/19/EU for elektrisk og elektronisk udstyr og er implementeret i henhold til nationale rettigheder, el-værktøj som ikke længere er anvendelig skal indsamles separat og genbruges på en miljøvenlig måde.

GARANTIVILKÅR

VONROC produkter er udviklet efter de højeste kvalitetsstandarder og er garanteret fri for mangler i såvel materialer som udførelse i den lovpligtige periode, der starter fra datoen for det oprindelige køb. Skulle produktet udvikle nogen fejl i løbet af denne periode på grund af defekte materialer og/eller fabriktionsfejl, så kontakt VONROC direkte.

De følgende forhold er udelukket fra denne garanti:

- Reparationer og eller rettelser er blevet foretaget eller forsøgt foretaget på maskinen af uautoriserede servicecentre.
- Normal slitage.
- Værktøjet har været misligholdt, misbrugt eller vedligeholdt forkert.
- Ikke originale reservedele er blevet anvendt.

Dette udgør den eneste garanti fra virksomheden enten udtrykt eller underforstået. Der er ingen andre garantier udtrykt eller underforstået, som strækker sig ud over forsiden heraf, heri, herunder underforståede garantier for salgbarhed og egnethed til et bestemt formål. VONROC vil under ingen omstændigheder være ansvarlig for hændelige skader eller følgeskader. Forhandlernes afhjælpningsmidler vil være begrænsede til reparation eller udskiftning af fejlbehæftede enheder eller dele.

Produktet og brugermanualen kan ændres. Specifikationer kan ændres uden forudgående varsel.

1. INSTRUKCJE BEZPIECZEŃSTWA

Przeczytać dołączone ostrzeżenia dotyczące bezpieczeństwa, dodatkowe ostrzeżenia dotyczące bezpieczeństwa oraz instrukcję. Nieprzestrzeganie ostrzeżeń dotyczących bezpieczeństwa oraz instrukcji może prowadzić do porażenia prądem, pożaru i/lub poważnych obrażeń ciała. Zachować ostrzeżenia dotyczące bezpieczeństwa oraz instrukcje na przyszłość.

Następujące symbole są umieszczone w instrukcji obsługi lub na produkcie:



Przeczytać instrukcje obsługi.



Oznacza ryzyko obrażeń ciała, śmierci lub uszkodzenia narzędzia w razie nieprzestrzegania poleceń z instrukcji.



Ryzyko porażenia prądem.



Zawsze nosić okulary ochronne!



Nos maskę przeciwpyłową.



Chronić urządzenie przed zamarzaniem.



Nie wrzucać akumulatora do ognia.



Nie wrzucać akumulatora do wody.



Nie wyrzucać produktu do nieodpowiednich pojemników.



Zbiórka selektywna akumulatora litowo-jonowego.



Produkt spełnia wymogi odpowiednich norm bezpieczeństwa podanych w dyrektywach UE.

OGÓLNE ZALECENIA DOTYCZĄCE BEZPIECZEŃSTWA



UWAGA! Przeczytać wszystkie ostrzeżenia dotyczące bezpieczeństwa i wszystkie instrukcje. Nieprzestrzeganie wszystkich poniższych instrukcji może być przyczyną porażenia prądem, pożaru i/lub poważnych obrażeń.

Zachowaj poniższe instrukcje.

Termin „elektronarzędzia akumulatorowe” we wszystkich ostrzeżeniach zamieszczonych poniżej odnosi się do elektronarzędzi akumulatorowych zasilanych sieciowo (przewodowych) lub elektronarzędzi akumulatorowych działających na baterie (bezzprzewodowych).

1) Obszar roboczy

- Obszar roboczy należy utrzymywać w czystości.** Powinien on być dobrze oświetlony. Nieład i złe oświetlenie mogą z łatwością doprowadzić do wypadku.
- Nie korzystaj z elektronarzędzi akumulatorowych w warunkach, w których łatwo może dojść do wybuchu, np. w obecności łatwopalnych cieczy, gazów lub pyłu.** Podczas pracy elektronarzędzi akumulatorowych powstają iskry, które mogą doprowadzić do zapłonu pyłu lub oparów.
- Dzieci i inne osoby postronne powinny pozostać w bezpiecznej odległości od pracującego urządzenia.** Rozproszenie uwagi może spowodować utratę kontroli nad urządzeniem.

2) Bezpieczeństwo związane z elektrycznością

- Wtyczki elektronarzędzi akumulatorowych muszą być odpowiednie do danego gniazda. Pod żadnym pozorem nie należy modyfikować wtyczki w jakikolwiek sposób. Nie należy używać adapterów, które uziemiają elektronarzędzia akumulatorowe.** Stosowanie wtyczek nie poddanych modyfikacjom oraz odpowiednich gniazd zmniejsza ryzyko porażenia prądem.
- Należy unikać bezpośredniego kontaktu fizycznego z powierzchniami uziemionymi, takimi jak rury, grzejniki, kuchenki, lodówki.** Ryzyko porażenia prądem jest większe, jeśli ciało osoby obsługującej urządzenie jest uziemione.
- Nie należy wystawiać elektronarzędzi akumulatorowych na działanie deszczu lub wilgoci.** Dostanie się wody do wnętrza elektronarzędzia akumulatorowego zwiększy ryzyko porażenia prądem.
- Nie należy używać przewodu w niewłaściwy sposób. Pod żadnym pozorem nie należy wykorzystywać przewodu do przenoszenia lub ciągnięcia elektronarzędzia akumulatorowego, ani do jego odłączania od sieci. Przewodu nie należy wystawiać na działanie ciepła, smarów. Powinien on znajdować się w bezpiecznej odległości od ostrych krawędzi i części ruchomych.** Przewody uszkodzone lub poplątane zwiększają ryzyko porażenia prądem.

- e) **Podczas korzystania z elektronarzędzia akumulatorowego na wolnym powietrzu, należy używać przewodu przedłużacza przystosowanego do użytku na zewnątrz.** Używanie przewodu nadającego się do użytku na wolnym powietrzu zmniejsza ryzyko porażenia prądem.
- f) **Jeśli obsługa elektronarzędzia w wilgotnym miejscu jest nieunikniona, użyć zasilania wyposażonego w wyłącznik różnicowo-prądowy.** Użycie wyłącznika różnicowo-prądowego zmniejsza ryzyko porażenia prądem.
- 3) **Bezpieczeństwo osoby obsługującej urządzenie**
- a) **Przez cały czas należy mieć się na baczności, uważać na to, co się robi, a w czasie obsługi elektronarzędzia akumulatorowego postępować mając na uwadze zdrowy rozsądek. Urządzenia nie powinny obsługiwać osoby zmęczone lub będące pod wpływem narkotyków, alkoholu lub leków.** Chwila nieuwagi w czasie obsługi elektronarzędzi akumulatorowych może być przyczyną powstania poważnych obrażeń ciała.
- b) **Należy korzystać ze sprzętu ochronnego oraz zawsze nosić okulary ochronne.** Sprzęt ochronny, jak na przykład maska przeciwpyłowa, antypoślizgowe obuwie ochronne, kask lub słuchawki ochronne używany we właściwych sytuacjach pozwoli na zmniejszenie ryzyka obrażeń ciała.
- c) **Unikać niezamierzonego uruchomienia. Przed podłączeniem urządzenia do sieci, zawsze sprawdzić, czy przełącznik znajduje się w pozycji „wyłączony”.** Przenoszenie elektronarzędzi z palcem na przełączniku lub włączonych elektronarzędzi z przełącznikiem w położeniu włączenia jest bardzo niebezpieczne i może powodować wypadki.
- d) **Przed włączeniem elektronarzędzia akumulatorowego należy usunąć z niego wszystkie klucze nastawcze lub maszynowe.** Pozostawienie klucza zamocowanego na jednej z części obrotowych urządzenia może spowodować powstanie obrażeń ciała.
- e) **Nie należy sięgać ponad urządzeniem. Przez cały czas należy zachować odpowiednią równowagę i zapewnić odpowiednie oparcie dla stóp.** Pozwoli to na lepsze kontrolowanie urządzenia w nieoczekiwanych sytuacjach.
- f) **Należy nosić odpowiednie ubranie. Do pracy z urządzeniem nie wkładać luźnych ubrań ani biżuterii. Włosy, ubranie i rękawiczki trzymać z dala od części ruchomych.** Luźne części ubrania, biżuteria lub długie włosy mogą zostać wciągnięte przez części ruchome.
- g) **Jeśli w urządzeniu przewidziano elementy służące do odprowadzania i zbierania pyłu, należy sprawdzić, czy są podłączone, i czy działają we właściwy sposób.** Korzystanie z tego typu elementów pozwala ograniczyć ryzyko związane z wydzielaniem pyłu podczas pracy urządzenia.
- h) **Nie zezwalać na to, aby rutyna związana z częstym korzystaniem z narzędzi powodowała nadmierną pewność siebie i ignorowanie zasad bezpiecznego korzystania z narzędzi.** Nieodpowiedzialne działanie może spowodować poważne obrażenia ciała w ułamku sekundy.
- 4) **Obsługa i konserwacja elektronarzędzi akumulatorowych**
- a) **Urządzenia nie należy przeciążać. Należy korzystać z narzędzia odpowiedniego do danego typu pracy.** Odpowiednio dobrane urządzenie pozwoli na lepsze i bezpieczniejsze wykonanie pracy, we właściwym dla urządzenia tempie.
- b) **Z elektronarzędzia akumulatorowego nie należy korzystać, jeśli nie można go wyłączyć i wyłączyć przy pomocy przełącznika.** Urządzenie, którego nie można kontrolować używając przełącznika jest niebezpieczne i powinno być oddane do naprawy.
- c) **Przed przystąpieniem do regulowania elektronarzędzi akumulatorowych, wymiany akcesoriów lub przygotowywania urządzeń do okresu przechowywania, należy odłączyć wtyczkę od źródła zasilania.** Tego typu środki ostrożności zmniejszają ryzyko przypadkowego uruchomienia urządzenia.
- d) **Nieczynne elektronarzędzia akumulatorowe należy przechowywać poza zasięgiem dzieci. Nie należy pozwolić, aby osoby nie znające urządzeń lub niniejszych instrukcji obsługi włączyły urządzenie.** Elektronarzędzia akumulatorowe w rękach niekompetentnych użytkowników stanowią zagrożenie.
- e) **Elektronarzędzia akumulatorowe należy utrzymywać w dobrym stanie technicznym. Należy sprawdzać, czy części ruchome są właściwie założone, i czy się nie zacinają. Należy również sprawdzać, czy jakieś części nie są uszkodzone oraz sprawdzać wszelkie inne elementy, które mogą wpłynąć na pracę urządzeń. Jeśli urządzenie jest uszkodzone, przed przystąpieniem do jego użytkowania, należy je naprawić.**

- Częstą przyczyną wypadków jest zły stan techniczny urządzeń.
- f) **Narzędzia służące do cięcia powinny być naostrzone i utrzymywane w czystości.** Jeśli narzędzia służące do cięcia, które posiadają ostre krawędzie tnące, są właściwie konserwowane, istnieje mniejsze prawdopodobieństwo ich zacinania się. Ponadto, łatwiej je kontrolować.
- g) **Elektronarzędzia akumulatorowego, akcesoriów, nakładek, itp. należy używać zgodnie z niniejszymi instrukcjami oraz w sposób właściwy dla danego rodzaju urządzenia, z uwzględnieniem warunków pracy oraz jej rodzaju.** Używanie urządzenia niezgodnie z przeznaczeniem może prowadzić do powstania sytuacji niebezpiecznych.
- h) **Uchwyty należy utrzymywać w stanie suchym, czystym i niezabrudzonym olejem lub smarem.** Śliskie uchwyty i powierzchnie do chwytania nie pozwalają na bezpieczne obchodzenie się z narzędziem i panowanie nad nim w nieoczekiwanych sytuacjach.
- 5) Użytkowanie i konserwacja urządzenia zasilanego akumulatorami**
- a) **Ładować tylko przy użyciu ładowarki określonej przez producenta.** Ładowarka przewidziana dla jednego rodzaju akumulatorów stwarza ryzyko pożaru w przypadku użycia jej z innym zestawem akumulatorów.
- b) **Należy używać jedynie akumulatorów przeznaczonych dla danego urządzenia.** Użycie innych akumulatorów stwarza ryzyko wystąpienia obrażeń ciała lub pożaru.
- c) **Kiedy akumulatorki nie są używane, należy przechowywać je z dala od przedmiotów metalowych, takich jak szpilki, śruby, monety, klucze, gwoździe, śruby lub inne niewielkie przedmioty metalowe, które mogłyby spowodować zwarcie pomiędzy stykami.** Zwarcie styków akumulatorka może spowodować pożar.
- d) **W przypadku przeciążenia z akumulatorka może wycieknąć płyn; nie należy go dotykać. W razie przypadkowego kontaktu przemyć skórę wodą. W przypadku dostania się płynu do oczu należy skontaktować się z lekarzem.** Płyn z akumulatorka może powodować podrażnienia lub oparzenia.
- e) **Nie używać uszkodzonego ani zmodyfikowanego akumulatora lub narzędzia.** Uszkodzone lub zmodyfikowane akumulatory mogą działać w sposób nieoczekiwany, co może powodować pożar, wybuch lub ryzyko obrażeń ciała.

- f) **Nie wystawiać akumulatora ani narzędzia na działanie płomienia lub zbyt wysokiej temperatury.** Narażenie na działanie płomienia lub temperatury powyżej 130°C może spowodować wybuch. UWAGA Temperaturę „130 °C” można zastąpić temperaturą „265 °F”.
- g) **Przestrzegać wszystkich instrukcji ładowania i nie ładować akumulatora ani narzędzia poza zakresem temperatury podanym w instrukcji.** Nieprawidłowe ładowanie lub ładowanie w temperaturze poza podanym zakresem może spowodować uszkodzenie akumulatora i zwiększyć ryzyko pożaru.
- 6) Serwis**
- a) **Zlecać serwisowanie elektronarzędzie wykwalifikowanemu technikowi stosującymi jedynie części zamienne identyczne z oryginalnymi.** Zapewni to zachowanie bezpieczeństwa elektronarzędzia.
- b) **Nigdy nie serwisować uszkodzonych akumulatorów.** Serwisowanie akumulatorów może przeprowadzać wyłącznie producent lub autoryzowany serwis.

Bezpieczeństwo elektryczne

Nie wolno kierować żadnej cieczy bezpośrednio na żadne urządzenia elektryczne ani urządzenia zawierające części elektryczne. W przypadku nieprawidłowej obsługi lub uszkodzenia akumulatorów, z akumulatorów może wydostać się łatwopalna ciecz. Należy unikać styczności z tą cieczą. W razie przypadkowej styczności niezwłocznie przepłukać miejsce styczności wodą. Jeśli ciecz dostanie się do oczu, dodatkowo uzyskać pomoc lekarską.

- Nigdy nie otwierać opryskiwacza ciśnieniowego ani nie odkręcać dyszy, gdy opryskiwacz nadal znajduje się pod ciśnieniem. Aby zapobiegać obrażeniom ciała, nigdy nie podłączać opryskiwacza ciśnieniowego do sprężarki powietrza.
- Zawsze trzymać opryskiwacz ciśnieniowy pionowo przed pociągnięciem zwalnającego zaworu bezpieczeństwa. Podczas rozpylania środków owadobójczych, chwastobójczych, grzybobójczych i innych płynnych środków ochrony roślin należy przestrzegać wszystkich szczególnych środków ostrożności wyznaczonych przez producenta używanego środka.



Przed otwarciem zbiornika opryskiwacza ciśnieniowego, całkowicie zwolnić ciśnienie, pociągając za zwalniający zawór bezpieczeństwa.

NIEBEZPIECZEŃSTWO! Może dojść do łatwego poślknięcia małych części. Istnieje ryzyko uduszenia się małych dzieci workiem z tworzywa sztucznego. Podczas montażu produktu nie pozwalać, by małe dzieci się do niego zbliżyły.

Bezpieczeństwo eksploatacji

PRZESTROGA: Zbiornik można wypełnić maksymalnie 5 litrami cieczy.

- Sprawdzić opryskiwacz ciśnieniowy przed każdym użyciem.
- Nigdy nie pozostawiać opryskiwacza ciśnieniowego bez nadzoru i nie przechowywać go przez długi okres, gdy jest napełniony i pod ciśnieniem.
- Przechowywać urządzenie w miejscu niedostępnym dla dzieci. Ponosisz odpowiedzialność za bezpieczeństwo innych osób.
- Przechowywać opryskiwacz ciśnieniowy z dala od źródeł ciepła i gorących miejsc.
- Nakręcić uchwyt pompy mocno ręką (nie używać narzędzi) i dopilnować, aby pierścień uszczelniający był prawidłowo umieszczony.
- Włącznik można przestawić w położenie włączone „I”, tylko wtedy, gdy uchwyt pompy jest nakręcony na zbiornik.
- Ładować akumulator wyłącznie w temperaturze otoczenia od 0°C do + 40°C. Jeśli temperatura akumulatora znajduje się poza zakresem dopuszczalnej temperatury ładowania, ładowanie akumulatora jest niemożliwe. Po osiągnięciu dopuszczalnego zakresu temperatury rozpocząć ładowanie akumulatora.

Bezpieczeństwo podczas czyszczenia

- Zwalniać ciśnienie po każdym użyciu, opróżnić zbiornik, dokładnie go oczyszczać i wypłukiwać czystą wodą. Następnie pozostawić opryskiwacz otwarty i poczekać, aż wyschnie.
- Nie usuwać resztek płynów do kanalizacji (lokalnej).
- Zawsze myć opryskiwacz przed użyciem innego produktu w celu uniknięcia reakcji chemicznych.
- W przypadku korzystania z wielu opryskiwaczy ciśnieniowych nie można wymieniać zbiorników i dysz opryskowych między opryskiwaczami.

Bezpieczeństwo podczas przechowywania

- Przed rozpoczęciem przechowywania poluzować korek zbiornika i zawsze opróżniać całkowicie opryskiwacz (również po umyciu czystą wodą).
- Chronić w miejscu, w którym temperatura nie spada poniżej zera.
- Przenosić opryskiwacz za pasek do przenoszenia lub uchwyt.
- Chronić produkt przed bezpośrednim nasłonecznieniem. Produkt może się rozgrzać.

2. INFORMACJE O URZĄDZENIU

Przeznaczenie

Opryskiwacz ciśnieniowy jest przeznaczony do rozpylania cieczy niezawierających rozpuszczalników, np.: środków owadobójczych¹, chwastobójczych¹, nawozów¹ i środków do czyszczenia szyb¹ w ogrodach przydomowych i na działkach.

Nie wolno używać go w miejscach publicznych, parkach, boiskach sportowych, w rolnictwie i w leśnictwie. Prawidłowe użytkowanie opryskiwacza ciśnieniowego wymaga przestrzegania treści niniejszej instrukcji obsługi.



Ostrzeżenie

1. Nie używać opryskiwaczy do rozpylania materiałów łatwopalnych.
2. Zwracać uwagę na zagrożenia związane z rozpylanymi materiałami i zapoznać się z instrukcją oraz oznaczeniami na zbiorniku środka lub informacjami dostarczonymi przez producenta materiału do rozpylenia.
3. Nie rozpylać żadnych materiałów, jeśli zagrożenia związane z jego użytkowaniem nie są znane.
4. Nie czyścić opryskiwaczy łatwopalnymi rozpuszczalnikami.

¹ Zgodnie z odpowiednimi przepisami dotyczącymi środków ochrony roślin oraz detergentów i środków czyszczących, stosować można wyłącznie zatwierdzone środki (zakupione w punktach sprzedaży posiadających odpowiednie uprawnienia),

DANE TECHNICZNE

Nr modelu	PS504DC
Maks. pojemność	5 l
Napięcie	4 V
Złącze USB	USB-C
Długość rury opryskiwacza (wraz z uchwytem)	15-50 CM
Czas pracy	2 godziny
Czas ładowania	2 godziny
Wydajność	0,3 l/min
Maks. temperatura robocza wody	60°C
Ciśnienie akustyczne (L _{pa})	52,8 + 3 dB(A)
Moc akustyczna (L _{wa})	63,8 + 3 dB(A)
Drgania	0,205 + 1,5 m/s ²

Poziom drgań

Zadeklarowana całkowita wartość drgań została zmierzona zgodnie ze znormalizowaną metodą testową wg norm EN 60745-1 i EN50580 i może być stosowana do porównywania narzędzi; Zadeklarowana całkowita wartość drgań może być również stosowana do wstępnej oceny ekspozycji.

- Drgania podczas rzeczywistego użytkowania elektronarzędzia może różnić się od zadeklarowanej wartości całkowitej w zależności od sposobu użytkowania narzędzia.
- Jest określenie środków ochrony operatora w oparciu o szacowane narażenie w rzeczywistych warunkach użytkowania (z uwzględnieniem wszystkich części cyklu pracy, np. czasu, kiedy narzędzie jest wyłączone oraz gdy pracuje na biegu jałowym, poza samym czasem jego włączenia).

OPIS

Liczby w tekście odnoszą się do rysunków na stronach 2-4.

1. Opryskiwacz
2. Nakrętka zamykająca dyszy
3. Krótka dysza
4. Długa dysza
5. Wąż
6. Zbiornik
7. Uchwyt zbiornika
8. Pierścień zbiornika

9. Zawór zwalniający
10. Pasek do przenoszenia
11. Kabel do ładowania (dołączony)
12. Kontrolka ładowania
13. Włącznik
14. Filtr węża
15. Kontrolka akumulatora
16. Schówek na dysze
17. Wskaźnik poziomu cieczy

3. MONTAŻ**Dysze (Rys. B)**

W celu pierwszego użycia krótka dysza (3) jest zamontowana na opryskiwaczu (1)

- Odkręcić nakrętkę zamykającą dyszy (2)
- Usunąć dyszę i zamontować krótką (3) lub długą (4) dyszę.
- Założyć nakrętkę zamykającą dyszy (2) i dokręcić ją ręką.



Sprawdzić, czy wąż (5) jest nadal dobrze podłączony do opryskiwacza (1) i do pierścienia zbiornika (8). W razie potrzeby dokręcić nakrętkę ręcznie.

Pasek do przenoszenia

- Przymocować pasek do przenoszenia do zbiornika.

4. OBSŁUGA**Ładowanie opryskiwacza (Rys. C)**

Podłączyć kabel ładowania (dołączony) do zasilacza (nie dołączony).

- Podłączyć kabel ładowania (11) do opryskiwacza.
- Podłączyć wtyczkę ładowarki do gniazdka elektrycznego. Po kilku sekundach kontrolka ładowania (12) zacznie świecić i wskazywać stan ładowania.

Pełne naładowanie akumulatora może trwać do 2 godzin.

Sprawdzanie stanu akumulatora (Rys. D)

Kontrolka akumulatora (15) pokazuje pozostały poziom naładowania akumulatora, gdy włącznik (13) jest wciśnięty.

Kontrolka akumulatora (15) jest wyposażona w dwie diody informujące o pozostałym poziomie

naładowania. Im więcej diod świeci, tym wyższy jest poziom naładowania akumulatora.

Kiedy świeci jedna dioda, oznacza to, że akumulator jest bliski rozładowania i należy go naładować.

Aby rozpylać ciecz (Rys. E)

Uwaga: Przestrzegać instrukcji bezpieczeństwa i rozcieńczenia dostarczonych przez producenta środka, który ma być rozpylony.

1. Pociągnąć za zwalniający zawór bezpieczeństwa (9). Patrz rys. E1
2. Odkręcić uchwyt zbiornika (7) i napełnić zbiornik (6). Patrz rys. E2.
* W razie potrzeby dolać cieczy.
3. Nakręcić uchwyt zbiornika (7) z powrotem na zbiornik (6).



Sprawdzić, czy wąż (5) jest nadal dobrze podłączony do opryskiwacza (1) i do pierścienia zbiornika (8). W razie potrzeby dokręcić nakrętki ręczne.

4. Wcisnąć i przytrzymać włącznik (13) na opryskiwaczu, aby rozpylać ciecz.
5. Po zakończeniu rozpylania zwolnić przycisk włącznika na opryskiwaczu, aby przestał pracować.

Regulować kształt rozpylanego strumienia za pomocą końcówki dyszy (Rys. E4)

Woda może tryskać z dyszy (3+4) prostym strumieniem lub strumieniem o kształcie wachlarza. Najpierw włączyć opryskiwacz, a następnie wyregulować końcówkę dyszy, obracając ją zgodnie ze wskazówkami zegara i w przeciwnym kierunku. Zgodnie z rys. E4.

Wskaźnik poziomu cieczy (17)

Zbiornik (6) jest wyposażony w przezroczystą część wskazującą poziom cieczy w zbiorniku.

Można również używać wskaźnika do odmierzania objętości w litrach.

5. KONSERWACJA

Czyszczenie

Zawsze myć opryskiwacz po zakończeniu rozpylania. Płukać opryskiwacz tylko czystą wodą (ewentualnie z dodatkiem detergentu do mycia naczyń) i całkowicie ją usunąć z opryskiwacza poprzez

opryskiwanie. Spowoduje to oczyszczenie zaworów, opryskiwacza (1), dyszy (3+4), węża (5) i filtra węża (14) wewnątrz zbiornika.

Pociągnąć za zwalniający zawór bezpieczeństwa (9), aby sprawdzić, czy nie występują żadne zatory i pracuje bez przeszkód.

Przechowywanie (Rys. F1, F2)

- Ustawić opryskiwacz na uchwycie postawionym na pierścieniu zbiornika. Zgodnie z rys. F1
- Dysze niepodłączone do opryskiwacza można przechowywać w schowku na dysze (16) zgodnie z rys. F2.



Przechowywać opryskiwacz ciśnieniowy w miejscu, w którym nie występuje temperatura poniżej zera.

Aby oczyścić filtr węża (Rys. F1)

Odkręcić uchwyt zbiornika i wyjąć wąż z wnętrza zbiornika. Oczyścić filtr (14). Po oczyszczeniu umieścić filtr z powrotem na wężu zbiornika i włożyć wąż do zbiornika.

W zbiorniku znajduje się ciecz, ale opryskiwacz nie rozpyla cieczy

- Sprawdzić, czy opryskiwacz jest całkowicie naładowany.
- Sprawdzić, czy wszystkie węże (również wewnątrz zbiornika) są właściwie podłączone. W razie potrzeby ponownie podłączyć i dokręcić wymagane nakrętki.
- Zwolnić ciśnienie, pociągając za zawór zwalniający.

SRODOWISKO



Uszkodzone i/lub niepotrzebne urządzenia elektryczne lub elektroniczne podlegają zbiórce w odpowiednich punktach recyklingu.

Tylko kraje WE

Nie wyrzucac elektronarzędzi wraz z odpadami z gospodarstw domowych. Zgodnie z dyrektywa 2012/19/WE dotycząca zużytych urządzeń elektrycznych i elektronicznych oraz jej wdrożeniem do prawodawstwa krajowego, elektronarzędzia, które już nie nadają się do użytku, podlegają oddzielnej zbiórce oraz utylizacji w sposób przyjazny dla środowiska.

GWARANCJA

Produkty VONROC są wytwarzane zgodnie z najwyższymi standardami jakości i producent udziela gwarancji na wady materiałowe i wady wykonania na okres wymagany prawem, licząc od dnia zakupu. Jeśli wystąpi usterka produktu w tym okresie spowodowana wadą materiałową i/lub wadą wykonania, proszę bezpośrednio skontaktować się ze sprzedawcą VONROC.

Następujące okoliczności powodują unieważnienie gwarancji:

- Przeprowadzono naprawy lub modyfikacje narzędzia w serwisie innym lub autoryzowany lub podjęto ich próbę;
- Normalne zużycie nie jest objęte gwarancją;
- Narzędzie było używane niezgodnie z przeznaczeniem, źle z nim się obchodzono lub było nieprawidłowo konserwowane;
- Użyto części zamiennych innych niż oryginalne.

Niniejsza gwarancja to wyłączna gwarancja producenta i nie obowiązują żadne inne wyrażone ani dorozumiane gwarancje. Nie obowiązują żadne inne wyrażone ani dorozumiane gwarancje o zakresie przekraczającym niniejszą gwarancję, co obejmuje dorozumiane gwarancje przydatności do sprzedaży i przydatności do określonego celu. W żadnym przypadku firma VONROC nie ponosi odpowiedzialności za straty przypadkowe lub wynikowe. Zadośćuczynienie sprzedawcy jest ograniczone do naprawy lub wymiany niezgodnych urządzeń lub części.

Produkt i instrukcja obsługi podlegają zmianom. Dane techniczne podlegają zmianom bez uprzedzenia.

1. INSTRUCȚIUNI DE SIGURANȚĂ

Citiți avertizările de siguranță, avertizările de siguranță suplimentare și instrucțiunile. Nerespectarea avertizărilor de siguranță poate cauza producerea de electrocutări, incendii și/sau răniri grave. Păstrați avertizările de siguranță și instrucțiunile pentru referințe viitoare.

În manualul de utilizare sau pe produs se utilizează următoarele simboluri:



Citiți manualul de utilizare.



Indică riscul de rănire personală, pierderea vieții sau deteriorarea încălzitorului în cazul în care nu se respectă instrucțiunile din acest manual.



Indica riscul electrocutării.



Purtați ochelari de protecție.



Purtați o mască antipraf.



Protejați aparatul împotriva înghețului.



Nu aruncați bateria în foc.



Nu aruncați bateria în apă.



Nu scoateți din uz produsul în containere neadecvate.



Colectare separată pentru bateria Li-ion.



Produsul este în conformitate cu standardele de siguranță aplicabile din directivele europene.

REGULI GENERALE DE PROTECȚIA MUNCII



AVERTISMENT! Citiți toate avertizările de siguranță și toate instrucțiunile. Respectarea tuturor instrucțiunilor prezentate în cele ce urmează este obligatorie pentru evitarea riscurilor de electrocutare, incendiu și/sau de vătămări grave.

Păstrați aceste instrucțiuni.

Termenul "sculă electrică" ce apare în toate avertismentele de mai jos se referă la scula electrică

alimentată la priză (prin cablu de alimentare) sau la scula electrică alimentată prin acumulatori (fără cablu de alimentare).

1) Spațiul de lucru

- a) **Mențineți spațiul de lucru curat și bine iluminat.** Spațiile de lucru dezordonate și întunecate predisun la accidente.
- b) **Nu utilizați sculele electrice în medii explozive, ca de exemplu în prezența unor materiale inflamabile cum ar fi lichide, gaze sau praf.** Sculele electrice produc scântei, care pot aprinde praful sau vaporii.
- c) **În timpul lucrului cu o sculă electrică, nu lăsați copiii sau privitorii să se apropie.** Micșorarea atenției vă poate face să pierdeți controlul.

2) Securitatea din punct de vedere electric

- a) **Ștecherile sculelor electrice trebuie să se potrivească în priza de alimentare. Nu modificați ștecherul niciodată și în nici un fel. Nu folosiți ștechere de adaptare pentru sculele electrice cu legare la pământ (împământate).** Ștecherele nemodificate și prizele de alimentare corespunzătoare vor reduce riscul de electrocutare.
- b) **Evitați contactul corporal cu suprafețele împământate, cum ar fi conducte, radiatoare, plite sau frigidere.** Există un risc sporit de electrocutare în cazul în care corpul dumneavoastră este legat la pământ.
- c) **Nu expuneți sculele electrice la ploaie sau la umezeală.** În urma intrării apei într-o sculă electrică va crește riscul de electrocutare.
- d) **Nu forțați cablul de alimentare. Nu folosiți niciodată cablul de alimentare pentru transportul, tragerea sau scoaterea din priză a sculei electrice. Țineți cablul de alimentare departe de sursele de căldură, petrol, vârfuri ascuțite sau de piese în mișcare.** Cablurile de alimentare deteriorate sau încălțite duc la creșterea riscului de electrocutare.
- e) **Atunci când folosiți o sculă electrică în exterior, utilizați un prelungitor corespunzător lucrului în exterior.** Utilizarea unui prelungitor corespunzător lucrului în exterior reduce riscul de electrocutare.
- f) **În cazul în care operarea unei unelte electrice într-un spațiu cu umiditate nu poate fi evitată, utilizați o alimentare cu dispozitiv de protecție la curent rezidual (RCD).** Utilizarea unui dispozitiv RCD reduce riscul electrocutării.

3) Securitatea personală

- a) **Atunci când folosiți o sculă electrică fiți concentrat, fiți atent la ceea ce faceți și acționați conform bunului simț. Nu folosiți o sculă electrică atunci când sunteți sub influența drogurilor, alcoolului sau a medicamentelor.** Un moment de neatenție în timpul utilizării sculelor electrice poate duce la vătămări personale grave.
- b) **Utilizați echipamentul de protecție corporală. Folosiți întotdeauna ochelari de protecție.** Folosirea echipamentelor de protecție conform condițiilor de lucru, ca de exemplu măști de praf, încălțăminte de protecție anti-alunecare, căști de protecție sau antifoane va reduce vătămările personale.
- c) **Evitați pornirea accidentală. Înainte de a introduce scula electrică în priza de alimentare, asigurați-vă că aveți comutatorul de acționare în poziția oPRIT (off).** Transportarea uneltelor electrice ținând degetul pe întrerupător sau alimentarea cu tensiune a uneltelor electrice ce au întrerupătorul în poziția pornit înlesnesc producerea.
- d) **Înainte de a pune în funcțiune scula electrică, îndepărtați toate penele sau cheile de reglare.** O cheie sau o pană care au fost lăsate atașate de o parte rotativă a sculei electrice poate duce la vătămări personale.
- e) **Nu vă întindeți pentru a ajunge la punctul de lucru.** Mențineți permanent un contact ferm al piciorului și un echilibru stabil. În acest fel puteți controla mai bine scula electrică în situații neprevăzute.
- f) **Îmbrăcați-vă în mod adecvat. Nu purtați haine largi sau bijuterii. Părul, hainele și mânușile trebuie menținute departe de părțile în mișcare.** Hainele largi, părul și bijuteriile pot fi agățate și prinse de părțile în mișcare.
- g) **Dacă dispozitivele sunt construite pentru a fi conectate la echipamente de extragere și colectare a prafului, asigurați-vă că aceste echipamente sunt conectate și funcționează corect.** Folosirea unor astfel de echipamente poate reduce pericolele legate de praf.
- h) **Nu lăsați ca obișnuința obținută prin utilizarea frecventă a uneltelor să vă permită să deveniți impasibil și să ignorați principiile de siguranță în utilizarea uneltelor.** O acțiune neglijentă poate provoca accidente grave într-o fracțiune de secundă.

- 4) Utilizarea și întreținerea sculei electrice**
- a) **Nu forțați scula electrică. Folosiți scula electrică adecvată operațiunii care trebuie efectuată.** O sculă electrică adecvată își va efectua mai bine și mai în siguranță sarcina deoarece este folosită la parametrii pentru care a fost proiectată.
- b) **Nu folosiți scula electrică în cazul în care comutatorul de acționare nu realizează pornirea și oprirea acesteia.** Orice sculă electrică ce nu poate fi comandată cu ajutorul comutatorului de acționare este periculoasă și trebuie reparată.
- c) **Înainte de a efectua orice fel de reglaje, schimbări ale accesoriilor sau pe perioada depozitării sculelor electrice deconectați ștecherul de la sursa de energie electrică.** Astfel de măsuri preventive reduc riscul de pornire accidentală a sculei electrice.
- d) **Nu depozitați sculele electrice neutilizate la îndemâna copiilor și nu permiteți persoanelor care nu sunt familiare cu sculele electrice sau cu prezentele instrucțiuni să le utilizeze.** Sculele electrice sunt periculoase atunci când sunt utilizate de către persoane neinstruite.
- e) **Întrețineți sculele electrice. Verificați alinierea sau prinderea părților în mișcare, verificați componentele sculei pentru a vă asigura că nu sunt sparte și, de asemenea, verificați orice alte situații care ar putea afecta funcționarea sculei electrice. Dacă scula electrică se defectează, reparați-o înainte de a o refolosi.** Sculele electrice întreținute necorespunzător duc la producerea multor accidente.
- f) **Mențineți sculele așchietoare ascuțite și curate.** Sculele așchietoare întreținute corespunzător, având muchiile tăietoare ascuțite, se înțepenesc mai greu și sunt mai ușor de controlat.
- g) **Utilizați sculele electrice, accesoriile și burghiile etc., în conformitate cu prezentele instrucțiuni și în mod corespunzător tipului de sculă electrică utilizat, ținând seama de condițiile de lucru și de sarcina care trebuie efectuată.** Utilizarea unor scule electrice pentru operații diferite de cele pentru care acestea au fost proiectate poate duce la situații periculoase.
- h) **Țineți mânerul și suprafețele de prindere uscate, curate și lipsite de ulei și unsoare.** Mânere și suprafețele de prindere alunecoase nu permit manipularea și controlul uneltei în de siguranță în situații neașteptate.
- 5) Utilizarea și întreținerea uneltei cu acumulator**
- a) **Încărcați din nou numai cu încărcătorul specificat de producătorul.** Încărcătorul potrivit cu un tip de acumulator poate crea riscul incendiului dacă este utilizat cu un alt acumulator.
- b) **Folosiți instrumentele electrice numai cu acumuloare proiectate specific.** Utilizarea oricăror alte acumuloare pot crea riscul accidentului personal și al incendiului.
- c) **În timp ce acumulatorul nu este utilizat, feriți-l de alte obiecte metalice cum ar fi cleme de birou, monede, chei, cuie, șuruburi ori alte obiecte metalice mărunte care ar putea crea conexiunea de la un terminal până la celălalt.** Scurtcircuitarea terminalelor baterii poate cauza arsuri sau incendiu.
- d) **Ca urmare a folosirii necorespunzătoare, din acumulator se poate scurge lichid. Evitați contactul cu acesta. În caz de contact accidental, clătiți cu apă. Dacă lichidul intră în contact cu ochi, pe lângă măsurile amintite consultați și un medic.** Lichidul care se scurge din acumulator poate provoca iritarea pielii sau arsuri.
- e) **Nu folosiți un acumulator sau o unealtă care este deteriorată sau modificată.** Acumulatorii deteriorați sau modificați pot avea un comportament imprevizibil care rezultă în foc, explozie sau risc de rănire.
- f) **Nu expuneți acumulatorul sau unealta la foc sau temperatură excesivă.** Expunerea la foc sau temperaturi de peste 130 °C poate provoca explozie. OBSERVAȚIE Temperatura „130 °C” poate fi înlocuită cu temperatura „265 °F”.
- g) **Respectați toate instrucțiunile de încărcare și nu încărcați acumulatorul sau unealta în afara intervalului de temperatură specificat în instrucțiuni.** Încărcarea necorespunzătoare sau la temperaturi în afara domeniului specificat poate deteriora acumulatorul și poate crește riscul de incendiu.
- 6) Service**
- a) **Prevedeți repararea uneltei de lucru de către o persoană calificată, folosind exclusiv piese de schimb identice.** Astfel, vă asigurați că este păstrată siguranța uneltei electrice.
- b) **Niciodată nu serviți acumulatorii deteriorați.** Servisarea acumulatorilor ar trebui să fie efectuată numai de către producător sau furnizorii autorizați de service.

Siguranța electrică

Trebuie respectat faptul că niciun lichid nu poate fi îndreptat direct spre dispozitivele electrice și echipamentele care conțin componente electrice. În cazul unei utilizări incorecte sau dacă bateriile sunt deteriorate, din ele poate ieși lichid inflamabil. Trebuie evitat contactul cu acest lichid. În caz de contact accidental, clătiți cu apă. În cazul în care lichidul intră în contact cu ochii, solicitați asistență medicală suplimentară.

- Nu deschideți niciodată pulverizatorul sub presiune și nu deșurubați duza când pulverizatorul sub presiune este încă sub presiune. Pentru a preveni rănirea, nu conectați niciodată pulverizatorul sub presiune la un compresor de aer.
- Țineți întotdeauna pulverizatorul sub presiune în poziție verticală înainte de a trage supapa de siguranță. Atunci când pulverizați insecticide, erbicide și fungicide sau alte produse fitosanitare lichide, trebuie să respectați toate măsurile speciale de precauție specificate de producătorul produsului pe care îl utilizați.



Înainte de a deschide rezervorul pulverizatorului sub presiune, eliberați bine presiunea prin tragerea supapei de siguranță.

PERICOL! Piesele mici pot fi înghițite cu ușurință. Există, de asemenea, riscul ca sacul de polietilenă să sufocă copiii mici. Țineți copiii mici la distanță atunci când asamblați produsul.

Siguranța operațională

ATENȚIE: Rezervorul poate fi umplut doar cu maximum 5 litri de lichid.

- Inspectați vizual pulverizatorul sub presiune înainte de fiecare utilizare.
- Nu lăsați niciodată pulverizatorul sub presiune nesupravegheat și nu îl depozitați pentru perioade lungi de timp atunci când este plin și presurizat pentru mult timp.
- A se ține într-un loc ferit de accesul copiilor. Sunteți responsabil pentru siguranța celorlalți.
- Țineți pulverizatorul sub presiune departe de sursele de căldură și de mediile fierbinți.
- Înșurubați bine mânerul pompei cu mâna (nu folosiți unelte) și asigurați-vă că inelul O este poziționat corect.
- Întrerupătorul pornit/oprit poate fi comutat pe „I” numai atunci când mânerul pompei este

înșurubat pe recipient.

- Încărcați acumulatorul numai la o temperatură ambiantă cuprinsă între 0 °C și + 40 °C. În cazul în care temperatura acumulatorului este în afara intervalului de temperatură de încărcare permis, acumulatorul nu poate fi încărcat. Imediat ce este atins intervalul de temperatură permis, acumulatorul este încărcat.

Siguranța curățării

- Eliberați presiunea după fiecare utilizare, goliți recipientul, curățați-l cu grijă și clătiți-l cu apă curată. Apoi lăsați pulverizatorul sub presiune deschis și lăsați-l să se usuce.
- Nu aruncați lichidele reziduale în sistemul de canalizare (sisteme locale de eliminare).
- Curățați întotdeauna pulverizatorul sub presiune înainte de utilizare cu un alt produs pentru a evita reacțiile chimice.
- Atunci când se utilizează mai multe pulverizatoare sub presiune, rezervoarele și duzele de pulverizare nu pot fi schimbate între ele.

Siguranța depozitării

- Înainte de depozitare, slăbiți capacul rezervorului și goliți întotdeauna pulverizatorul sub presiune complet (inclusiv după curățarea cu apă).
- Depozitați la adăpost de îngheț.
- Transportați pulverizatorul sub presiune prin intermediul curelei de transport sau al mânerului.
- Asigurați-vă că produsul este protejat de lumina directă a soarelui. Produsul se poate încălzi.

2. INFORMAȚII CU PRIVIRE LA MAȘINA

Domeniul de utilizare

Pulverizatorul sub presiune este destinat distribuirii de lichide fără solvenți, de exemplu: pesticide¹, erbicide¹, îngrășăminte¹ și detergenți pentru ferestre¹, în grădinile casnice și în grădini.

Acesta nu trebuie utilizat în locuri publice, parcuri, arene sportive, în agricultură sau în silvicultură. Respectarea specificațiilor din acest manual de utilizare este o cerință pentru utilizarea corectă a pulverizatorului sub presiune.



Avertisment!

1. Nu folosiți pistoale pentru pulverizarea substanțelor inflamabile.
2. Fiți conștienți de orice pericol prezentat de materialul care se pulverizează și de instrucțiunile de a consulta marcajele de pe recipient sau informațiile furnizate de producătorul materialului care urmează să fie pulverizat.
3. Nu pulverizați substanțe acolo unde există riscul de pericole.
4. Nu curățați pistoalele cu solvenți inflamabili.

¹ În conformitate cu Legea privind protecția plantelor, precum și cu Legea privind detergenții și agenții de curățare, pot fi utilizați numai agenți autorizați (distribuitori specializați autorizați).

SPECIFICAȚII TEHNICE

Nr. model	PS504DC
Capacitate max	5L
Tensiunea	4V
Conexiune USB	USB-C
Lungimea tubului de pulverizare (inclusiv mânerul de pulverizare)	15-50CM
Timp de funcționare	2 ore
Timp de încărcare	2 ore
Capacitate de presiune	0,3L/Min
Temperatura maximă de funcționare a apei	60 °C
Nivelul presiunii sonore LPA	52,8 + 3 dB(A)
Putere acustică (LWA)	63,8 + 3 dB(A)
Vibrație	0,205 + 1,5 m/s ²

Nivelul vibrațiilor

Valoarea totală a vibrațiilor declarată a fost măsurată în conformitate cu o metodă de testare standard EN 60745-1 și EN50580 și poate fi utilizată pentru a compara o unealtă cu alta; Valoarea totală declarată a emisiilor de vibrații poate fi utilizată, de asemenea, în cadrul unei evaluări preliminare în privința expunerii.

- Emisia de vibrații în timpul utilizării efective a sculei electrice poate fi diferită de valoarea totală declarată, în funcție de modul în care este utilizată scula.
- Necesitatea de a identifica măsuri de siguranță pentru a proteja operatorul care se bazează pe o estimare a expunerii în condițiile reale

de utilizare (luând în considerare toate părțile ciclului de funcționare, cum ar fi momentele în care unealta este oprită și în care funcționează în gol, pe lângă timpul de declanșare).

DESCRIERE

Numeralele din text se refera la diagramele de la paginile 2-4.

1. Pulverizator
2. Piuliță de închidere a duzei
3. Duză scurtă
4. Duză lungă
5. Furtun
6. Rezervor
7. Mânerul rezervorului
8. Inel rezervor
9. Supapă de eliberare
10. Curea de transportare
11. Cablu de alimentare (inclus)
12. Lumină indicare încărcare
13. Comutator pornire/oprire
14. Filtru pentru furtun
15. Lumină indicare baterie
16. Depozitare duză
17. Indicator pentru nivelul de lichid

3. ASAMBLAREA

Duze (Fig. B)

La prima utilizare, duza scurtă (3) este montată pe pulverizator (1)

- Îndepărtați piulița de închidere a duzei (2)
- Îndepărtați și înlocuiți duza scurtă (3) sau lungă (4) Așezați piulița de închidere a duzei (2) și strângeți-o cu mâna.



Verificați dacă furtunul (5) este încă bine conectat la pulverizator (1) și la inelul rezervorului (8), dacă este necesar, strângeți piulițele cu mâna.

Curea de transportare

- Atașați cureaua de transport la rezervor.

4. OPERAREA

Încărcarea pulverizatorului (Fig. C)

Conectați cablul încărcătorului (11) (inclus) la un adaptor (nu este inclus).

- Conectați cablul de încărcare (11) la pulverizator.

- Conectați fișa încărcătorului la o priză electrică, după câteva secunde, indicatorul luminos al încărcătorului (12) se va aprinde și va arăta starea de încărcare.

Încărcarea completă a acumulatorului poate dura 2 ore.

Verificarea nivelului de încărcare a acumulatorului (Fig. D)

Lumina de indicare a acumulatorului (15) arată nivelul rămas al acumulatorului atunci când este apăsat comutatorul pornit/oprit (13).

Lumina de indicare a acumulatorului (15) are două lumini care indică nivelul rămas. Cu cât mai multe lumini sunt aprinse, cu atât mai multă capacitate mai are acumulatorul.

Atunci când o lumină este aprinsă, bateria este aproape goală și ar trebui încărcată.

Pentru a pulveriza lichidul (Fig. E)

Notă: Vă rugăm să respectați instrucțiunile de siguranță și de dozare furnizate de producătorul produsului pe care urmează să îl pulverizați.

1. Trageți supapa de siguranță (9). Consultați Fig. E1.
2. Deșurubați mânerul rezervorului (7) și umpleți rezervorul (6). Consultați Fig. E2.
* Dacă este necesar, adăugați aditiv lichid.
3. Înșurubați mânerul rezervorului (7) înapoi pe rezervor (6).



Verificați dacă furtunul (5) este încă bine conectat la pulverizator (1) și la inelul rezervorului (8), dacă este necesar, strângeți piulițele cu mâna.

4. Apăsați și mențineți apăsat comutatorul pornit/oprit (13) de pe pulverizator pentru a pulveriza
5. După ce ați terminat de pulverizat, eliberați butonul de pe pulverizator pentru ca acesta să se oprească

Reglați pulverizarea de la vârful duzei (Fig. E4)

Apa poate fi pulverizată din vârful duzei (3+4) fie liniar, fie în formă de evantai. Porniți mai întâi pulverizatorul, apoi reglați vârful duzei, rotindu-l în sensul acelor de ceasornic și în sens invers. Conform ilustrației din Fig. E4.

Indicator de nivel al lichidului (17)

Rezervorul (6) are o linie transparentă care arată nivelul lichidului din rezervor. Acesta poate fi folosit și ca pahar de măsurare, indicat la litru,

5. INTREȚINERE

Curățarea

Curățați întotdeauna pulverizatorul sub presiune după pulverizare. Utilizați pulverizatorul sub presiune numai cu apă curată (eventual cu adaos de detergent de vase) și pulverizați în gol. Se curăță supapele, pulverizatorul (1), duzele (3+4), furtunul (5) și filtrul pentru furtun (14) din interiorul rezervorului.

Trageți de supapa de siguranță (9) pentru a vedea dacă are blocaje pentru o funcționare fără probleme.

Depozitarea (Fig. F1, F2)

- Așezați pulverizatorul pe suportul poziționat pe inelul rezervorului. Conform ilustrației din Fig. F1.
- Duza care nu este atașată la pulverizator poate fi depozitată în depozitul de duze (16), așa cum se arată în figura F2.



Depozitați pulverizatorul sub presiune într-un loc ferit de îngheț.

Pentru a curăța filtrul furtunului (Fig. F1)

Deșurubați mânerul rezervorului și scoateți furtunul din interiorul rezervorului. Curățați filtrul (14). După curățare, așezați filtrul atașat înapoi pe furtunul rezervorului și pe furtunul din interiorul rezervorului.

Există lichid în rezervor, dar pulverizatorul nu pulverizează

- Verificați dacă pulverizatorul este complet încărcat.
- Verificați dacă toate furtunurile (inclusiv cele din interiorul rezervorului) sunt conectate corect, dacă este necesar, reconectați-le și strângeți piulițele necesare.
- Eliberați presiunea prin tragerea supapei de siguranță.

MEDIU



Aparatele electrice sau electronice deteriorate și/sau defecte trebuie colectate în locurile de reciclare corespunzătoare.

Numai pentru țările din CE

Nu aruncați echipamentele acționate electric împreună cu gunoii menajer. Conform Indicației europene 2012/19/EU pentru echipamente electrice și electronice uzate și a implementării sale la nivel național, echipamentele acționate electric scoase din uz trebuie colectate separat și evacuate într-o manieră ecologică.

GARANȚIE

Produsele VONROC sunt realizate la cele mai înalte standarde de calitate și sunt garantate în privința materialelor și a manoperei pentru întreaga perioadă de utilizare în garanție, începând cu data achiziției. În cazul în care produsul se defectează în timpul perioadei de utilizare, contactați direct VONROC.

Următoarele circumstanțe sunt excluse de la această garanție:

- Reparațiile sau modificările care realizate sau care s-au încercat a fi efectuate de centre de service neautorizate.
- Uzura în condiții normale.
- Unealta care a fost abuzată, utilizată într-un mod neglijent sau întreținută în mod inadecvat.
- Folosirea unor piese de schimb neoriginale.

Aceasta acoperă garanția companiei, explicită sau implicită. Nu există alte garanții explicite sau implicite care să se extindă dincolo de cele indicate aici, incluzând garanțiile, vandabilitatea sau adecvarea pentru un anumit scop. În nicio situație, VONROC nu este responsabil pentru daunele incidentale sau consecvențiale. Reparațiile efectuate de reprezentant trebuie să fie limitate la reparațiile sau la înlocuirea unităților sau a pieselor neconforme.

Produsul și manualul de utilizare pot suferi modificări. Specificațiile se pot modifica fără notificare prealabilă.

1. INSTRUÇÕES DE SEGURANÇA

Leia os avisos de segurança fornecidos, os avisos de segurança adicionais e as instruções. O não cumprimento dos avisos de segurança e das instruções pode resultar em choque eléctrico, incêndio e/ou ferimentos graves. Guarde os avisos de segurança e as instruções para referência futura.

Os seguintes símbolos são utilizados no manual do utilizador ou no produto:



Leia o manual do utilizador.



Indica o risco de ferimentos, morte ou danos na ferramenta se as instruções indicadas neste manual não forem seguidas.



Risco de choque eléctrico.



Use protecção ocular.



Use uma máscara de poeiras.



Proteja o equipamento do gelo.



Não deite a bateria no fogo.



Não coloque a bateria dentro de água.



Não elimine o equipamento em depósitos não adequados.



Faça a recolha selectiva de baterias de iões de lítio.



O produto está em conformidade com as normas de segurança aplicáveis nas directivas europeias.

AVISOS GERAIS DE SEGURANÇA SOBRE A FERRAMENTA ELÉCTRICA



AVISO! Leia todos os avisos de segurança e instruções. O não cumprimento dos avisos e das instruções pode causar choque eléctrico, incêndio e/ou ferimentos graves.

Guarde todos os avisos e instruções para referência futura.

O termo “ferramenta eléctrica” indicado nos avisos diz respeito à ferramenta eléctrica alimentada pela rede de electricidade (com fio) ou à ferramenta eléctrica que funciona com baterias recarregáveis (sem fio).

1) Segurança na área de trabalho

- a) **Mantenha a área de trabalho limpa e devidamente iluminada.** As áreas obstruídas ou escuras são propícias a acidentes.
- b) **Não utilize ferramentas eléctricas em atmosferas explosivas, por exemplo, na presença de líquidos inflamáveis, gases ou pó.** As ferramentas eléctricas produzem faíscas que podem causar ignição de pó ou vapores.
- c) **Quando utilizar uma ferramenta eléctrica, mantenha as crianças e transeuntes afastados.** As distrações podem causar perda de controlo.

2) Segurança eléctrica

- a) **As fichas da ferramenta eléctrica devem corresponder à tomada. Nunca modifique, de forma alguma, a ficha. Não utilize quaisquer fichas adaptadoras com ferramentas eléctricas ligadas à terra (massa).** As fichas e tomadas correspondentes não modificadas reduzem o risco de choque eléctrico.
- b) **Evite o contacto do corpo com superfícies ligadas à terra ou massa, como tubos, radiadores, fogões ou frigoríficos.** Há maior risco de choque eléctrico se o corpo estiver ligado à terra ou à massa.
- c) **Não exponha as ferramentas eléctricas à chuva ou a ambientes húmidos.** A entrada de água numa ferramenta eléctrica aumenta o risco de choque eléctrico.
- d) **Não utilize o cabo de maneira abusiva. Nunca utilize o cabo para transportar, puxar ou desligar a ferramenta eléctrica. Mantenha o cabo afastado de fontes de calor, óleo, extremidades afiadas ou peças móveis.** Se os cabos estiverem danificados ou enrolados, há maior risco de choque eléctrico.
- e) **Quando utilizar uma ferramenta eléctrica no exterior, opte por uma extensão adequada para utilização no exterior.** A utilização de um cabo adequado para utilização no exterior reduz o risco de choque eléctrico.

- f) **Se não for possível evitar trabalhar com uma ferramenta eléctrica num local húmido, utilize uma fonte de alimentação protegida por um dispositivo diferencial residual (DDR).** A utilização de um DDR reduz o risco de choque eléctrico.

3) Segurança eléctrica

- a) **Esteja atento, preste atenção ao que está a fazer e tenha bom senso quando utilizar uma ferramenta eléctrica. Não utilize uma ferramenta eléctrica se estiver cansado ou sob o efeito de drogas, álcool ou medicamentos.** Um momento de distração durante a utilização de ferramentas eléctricas pode resultar em ferimentos graves.
- b) **Use equipamento de protecção individual. Use sempre protecção ocular.** O equipamento de protecção, como, por exemplo, máscara de poeiras, sapatos de segurança antiderrapantes, capacete de segurança ou protecção auditiva, utilizado nas condições adequadas, reduz o risco de ferimentos.
- c) **Evite accionamentos acidentais. O gatilho deve estar desligado antes de ligar a ferramenta à corrente eléctrica e/ou as baterias e antes de levantar ou transportar a ferramenta.** O transporte de ferramentas eléctricas com o dedo no gatilho ou a ligação à corrente das ferramentas eléctricas com o interruptor ligado pode dar origem a acidentes.
- d) **Retire eventuais chaves de ajuste ou chaves de fendas antes de ligar a ferramenta eléctrica.** Uma chave de fendas ou de ajuste montada numa peça rotativa da ferramenta eléctrica pode causar ferimentos.
- e) **Não tente chegar a pontos fora do alcance. Mantenha-se sempre numa posição firme e bem equilibrada.** Desta forma, é mais fácil controlar a ferramenta eléctrica em situações inesperadas.
- f) **Use vestuário adequado. Não use roupa larga ou jóias. Mantenha o cabelo, a roupa e as jóias afastados das peças móveis.** As roupas largas, as jóias ou o cabelo comprido podem ficar presos nestas peças.
- g) **Se for prevista a montagem de dispositivos de extracção e recolha de pó, assegure-se de que estão ligados e que são utilizados de forma correcta.** A utilização de dispositivos de extracção de pó pode reduzir os riscos inerentes.

- h) **Não permita que a familiaridade obtida através do uso frequente de ferramentas faça com que seja complacente e ignore os princípios de segurança da ferramenta.** Uma acção irreflectida pode causar ferimentos graves numa fracção de segundos.
- 4) **Utilização e cuidados a ter com a ferramenta com baterias**
- a) **Não sobrecarregue a ferramenta eléctrica. Utilize a ferramenta eléctrica correcta para o seu trabalho.** A ferramenta eléctrica adequada efectua o trabalho de maneira mais eficiente e segura se for utilizada de acordo com a capacidade para a qual foi concebida.
- b) **Não utilize a ferramenta eléctrica se não conseguir ligar ou desligar o interruptor.** Qualquer ferramenta eléctrica que não possa ser controlada através do gatilho é perigosa e deve ser reparada.
- c) **Retire a ficha da fonte de alimentação e/ou a bateria da ferramenta eléctrica antes de efectuar quaisquer ajustes, substituir acessórios ou guardar ferramentas eléctricas.** Estas medidas de segurança preventivas reduzem o risco de ligar a ferramenta eléctrica acidentalmente.
- d) **Mantenha as ferramentas eléctricas que não estiverem a ser utilizadas fora do alcance das crianças. Não permita que a ferramenta eléctrica seja utilizada por pessoas não familiarizadas com a mesma ou que não tenham lido estas instruções.** As ferramentas eléctricas são perigosas nas mãos de pessoas que não possuam as qualificações necessárias para manuseá-las.
- e) **Faça a manutenção das ferramentas eléctricas. Verifique se as peças móveis da ferramenta eléctrica estão alinhadas e não emperram, bem como se existem peças partidas ou danificadas ou quaisquer outras situações que possam afectar o funcionamento da mesma. Se a ferramenta eléctrica estiver danificada, esta só deve ser utilizada depois de ser reparada.** Muitos acidentes têm como principal causa ferramentas eléctricas com uma manutenção insuficiente.
- f) **Mantenha as ferramentas de corte afiadas e limpas.** As ferramentas de corte sujeitas a uma manutenção adequada, com arestas de corte afiadas, bloqueiam com menos frequência e controlam-se com maior facilidade.
- g) **Utilize a ferramenta eléctrica, os acessórios e as peças de ferramenta, etc., de acordo com estas instruções, considerando as condições de trabalho e a tarefa a ser executada.** A utilização da ferramenta eléctrica para fins diferentes dos previstos pode resultar em situações perigosas.
- h) **Mantenha as pegas e as superfícies de fixação secas, limpas e sem óleo e gordura.** Os punhos e pegas não permitem o manuseamento e o controlo seguros da ferramenta em situações inesperadas.
- 5) **Utilização e cuidados a ter com a ferramenta com baterias**
- a) **Recarregue apenas com o carregador especificado pelo fabricante.** Um carregador adequado para um tipo de bateria pode causar um incêndio se for utilizado com outra bateria.
- b) **Utilize apenas ferramentas eléctricas que tenham baterias especificamente concebidas.** A utilização de outro tipo de baterias pode causar ferimentos e incêndio.
- c) **Quando não utilizar a bateria, mantenha-a afastada de outros objectos metálicos, tais como cliques para papel, moedas, chaves, pregos, parafusos ou outros pequenos objectos metálicos que permitam fazer a ligação entre terminais.** O curto-circuito dos terminais da bateria pode causar queimaduras ou um incêndio.
- d) **Em condições abusivas, pode derramar líquido da bateria, devendo evitar o contacto. Se tocar acidentalmente no líquido, lave bem com água. Se o líquido entrar em contacto com os olhos, consulte um médico.** O líquido derramado da bateria pode causar irritação ou queimaduras.
- e) **Não utilize baterias ou ferramentas danificadas ou modificadas.** As baterias danificadas ou modificadas podem ter um comportamento inesperado, resultando em incêndio, explosão ou risco de ferimentos.
- f) **Não exponha a bateria ou a ferramenta ao fogo ou a temperaturas excessivas.** A exposição a fogo ou a temperaturas superiores a 130 °C pode causar uma explosão. NOTA: a temperatura "130 °C" pode ser substituída pela temperatura "265 °F".
- g) **Siga todas as instruções de carregamento e não carregue a bateria ou a ferramenta fora do intervalo de temperaturas especificado nas instruções.** O carregamento inadequado ou de

acordo com temperaturas fora do intervalo especificado pode danificar a bateria e aumentar o risco de incêndio.

6) Assistência

- a) **A sua ferramenta eléctrica deve ser reparada apenas por pessoal qualificado e só devem ser utilizadas peças sobresselentes idênticas.** Desta forma, é garantida a segurança da ferramenta eléctrica.
- b) **Nunca repare baterias danificadas.** A reparação de baterias deve ser efectuada apenas pelo fabricante ou fornecedores de assistência autorizados.

Segurança eléctrica

Não deve ser apontado nenhum líquido directamente para dispositivos eléctricos e equipamento que contenha componentes eléctricos. Se for utilizado de maneira incorrecta ou se as baterias estiverem danificadas, pode ser ejectado líquido inflamável das baterias. Deve evitar o contacto com este líquido. Se tocar acidentalmente no líquido, enxágue com água. Se o líquido entrar em contacto com os olhos, são necessários cuidados médicos adicionais.

- Nunca abra o pulverizador de pressão nem desaperte o bico se o pulverizador de pressão ainda estiver sob pressão. Para evitar ferimentos, nunca ligue o pulverizador de pressão num compressor de ar.
- Segure sempre o pulverizador de pressão na vertical antes de puxar a válvula de sobrepresão. Quando pulverizar insecticidas, herbicidas, fungicidas ou outros produtos líquidos de protecção de plantas, deve respeitar todas as medidas de precaução especiais especificadas pelo fabricante do produto que utilizar.



Antes de abrir o depósito do pulverizador de pressão, puxe a válvula de sobrepresão para libertar totalmente a pressão.

PERIGO! As peças podem ser facilmente engolidas. Há também o risco da embalagem de polietileno sufocar as crianças. Quando montar o produto, mantenha as crianças afastadas.

Segurança da exploração

ATENÇÃO: O depósito tem uma capacidade máxima de 5 litros de líquido.

- Inspeccione o pulverizador de pressão antes de cada utilização.
- Nunca deixe o pulverizador de pressão sem vigilância e não o armazene durante períodos prolongados quando estiver cheio e sob pressão.
- Mantenha a unidade afastada do alcance das crianças. O utilizador é responsável pela segurança das outras pessoas.
- Mantenha o pulverizador de pressão afastado de fontes de calor e ambientes quentes.
- Aperte a alavanca da bomba à mão (não utilize ferramentas) e certifique-se de que a junta tórica está posicionada correctamente.
- O interruptor para ligar/desligar só pode ser colocado na posição "I" se a alavanca da bomba estiver aparafusada no depósito.
- Carregue a bateria apenas a uma temperatura ambiente que se situe entre 0 °C e + 40 °C. Se a temperatura da bateria estiver fora do intervalo de temperatura de carregamento permitido, isso significa que a bateria não pode ser carregada. Quando for atingido o intervalo de temperaturas permitido, isso significa que a bateria está carregada.

Segurança durante a limpeza

- Depois de cada utilização, liberte a pressão, esvazie o depósito, limpe-o com cuidado e enxágue com água limpa. Em seguida, deixe o pulverizador de pressão aberto e deixe-o a secar.
- Não elimine os líquidos residuais no sistema de águas residuais (sistemas de esgotos locais).
- Limpe sempre o pulverizador de pressão antes de utilizar um produto diferente, para evitar reacções químicas.
- Quando utilizar vários pulverizadores de pressão, os depósitos e o bico de pulverização não podem ser alternados.

Segurança de armazenamento

- Antes de armazenar, desaperte a tampa do depósito e esvazie sempre o pulverizador de pressão por completo (deve fazê-lo também depois de limpar com água).
- Armazene num local onde não haja formação de gelo.

- Transporte o pulverizador de pressão pela alça de transporte ou pela pega.
- Certifique-se de que mantém o produto afastado de luz solar directa. O produto pode ficar quente.

2. INFORMAÇÕES SOBRE A MÁQUINA

Utilização pretendida

O pulverizador de pressão é concebido para distribuir líquido sem solventes, por exemplo: pesticidas¹, herbicidas¹, fertilizantes¹ e produtos de limpeza de janelas¹ em jardins domésticos e lotes.

Não deve ser utilizado em locais públicos, parques, arenas desportivas ou em tarefas agrícolas ou de silvicultura. A conformidade com as especificações indicadas neste manual de utilização é um requisito para a utilização adequada do pulverizador de pressão.



Aviso!

1. Não utilize pistolas para pulverizar materiais inflamáveis.
2. Esteja ciente de quaisquer perigos apresentados pelo material que vai ser pulverizado e das instruções para consultar as marcações indicadas no depósito ou das informações fornecidas pelo fabricante do material que vai ser pulverizado.
3. Não pulverize material se não tiver noção do risco.
4. Não limpe as pistolas com solventes inflamáveis.

¹ De acordo com a Lei de Protecção Vegetal, bem como a Lei de Detergentes e Produtos de Limpeza, apenas podem ser utilizados produtos aprovados (revendedores especialistas autorizados).

ESPECIFICAÇÕES TÉCNICAS

Modelo n.º	PS504DC
Capacidade máx.	5 l
Tensão	4 V
Ligação USB	USB-C
Comprimento do tubo de pulverização (incluindo a pega de pulverização)	15 a 50 cm
Período de funcionamento	2 horas
Duração da carga	2 horas
Saída de pressão	0,3 l/min
Temperatura máx. de funcionamento da água	60 °C
Pressão sonora (Lpa)	52,8 + 3 dB(A)
Potência sonora (Lwa)	63,8 + 3 dB(A)
Vibração	0,205 + 1,5 m/s ²

Nível de vibração

O valor total de vibrações declarado foi medido de acordo com o método de ensaio normalizado EN 60745-1 e EN50580 e pode ser utilizado para comparar ferramentas. O valor total de vibração declarado pode também ser utilizado numa avaliação preliminar da exposição.

- O nível de emissão de vibrações durante a utilização efectiva da ferramenta eléctrica pode ser diferente do valor total declarado, dependendo da maneira como a ferramenta for utilizada.
- É necessário para identificar medidas de segurança para proteger o utilizador que se baseiam num nível estimado de exposição nas condições efectivas de utilização (tendo em consideração todos os passos do ciclo de funcionamento, como os períodos em que a ferramenta é desligada e quando está a funcionar ao ralenti, além do tempo de accionamento).

DESCRIÇÃO

Os números indicados no texto dizem respeito aos diagramas nas páginas 2 e 4.

1. Pulverizador
2. Porca de fixação do bico
3. Bico curto
4. Bico comprido
5. Tubo

6. Depósito
7. Pega do depósito
8. Anel do depósito
9. Válvula de descarga
10. Alça de transporte
11. Cabo de carregamento (incluído)
12. Luz indicadora de carregamento
13. Interruptor para ligar/desligar
14. Filtro da mangueira
15. Luz indicadora da bateria
16. Compartimento para arrumar bicos
17. Indicador do nível de líquido

3. MONTAGEM

Bicos (Fig. B)

Na primeira utilização, o bico curto (3) é montado no pulverizador (1).

- Retire a porca de fixação do bico (2).
- Retire e substitua o bico curto (3) ou bico comprido (4).
- Coloque a porca de fixação do bico (2) e aperte à mão.



Verifique se a mangueira (5) continua bem ligada ao pulverizador (1) e ao anel do depósito (8), se necessário aperte as porcas à mão.

Alça de transporte

- Prenda a alça de transporte no depósito.

4. FUNCIONAMENTO

Carregar o pulverizador (Fig. C)

Ligue o cabo do carregador (11) (incluído) num adaptador (não incluído).

- Ligue o cabo do carregador (11) no pulverizador.
- Ligue a ficha do carregador numa tomada elétrica. Após alguns segundos, a luz indicadora do carregador (12) acende-se e mostra o estado de carregamento.

O carregamento total da bateria pode demorar até 2 horas.

Verificar o estado de carregamento da bateria (Fig. D)

A luz indicadora da bateria (15) mostra o nível restante da bateria quando carrega no interruptor para ligar/desligar (13).

A luz indicadora da bateria (15) tem dois indicadores luminosos que mostram o nível restante. Quanto maior for o número de luzes acesas, maior é a capacidade restante na bateria.

Quando um indicador luminoso se acende, isso significa que a bateria está a ficar sem carga e que deve carregá-la.

Pulverizar o líquido (Fig. E)

Nota: Respeite as instruções de segurança e dosagem fornecidas pelo fabricante do produto que vai pulverizar.

1. Puxe a válvula de sobrepressão (9). Consulte a Fig. E1.
2. Desaperte a pega do depósito (7) e encha o depósito (6). Consulte a Fig. E2.
* Se necessário, adicione aditivo líquido.
3. Aperte a pega do depósito (7) de novo no depósito (6).



Verifique se a mangueira (5) continua bem ligada ao pulverizador (1) e ao anel do depósito (8), se necessário aperte as porcas à mão.

4. Pressione e mantenha pressionado o interruptor para ligar/desligar (13) no pulverizador para pulverizar.
5. Quando terminar a pulverização, liberte o botão no pulverizador para que este pare.

Ajustar o pulverizador da ponta do bico (Fig. E4)

A água pode ser pulverizada para fora da ponta do bico (3+4) de maneira linear ou sob a forma de leque. Primeiro, ligue o pulverizador e, em seguida, ajuste a ponta do bico, rodando-a para a direita e para a esquerda. Como indicado na Fig. E4.

Indicador do nível de líquido (17)

O depósito (6) tem uma linha transparente que mostra o nível do líquido no depósito.

Pode ser utilizada também como copo de medição, indicado por litros.

5. MANUTENÇÃO

Limpeza

Limpe sempre o pulverizador de pressão depois de pulverizar. Utilize o pulverizador de pressão apenas

com água limpa (se possível adicione detergente para a louça) e pulverize sem líquido. As válvulas, o pulverizador (1), os bicos (3+4), a mangueira (5) e o filtro da mangueira (14) no interior do depósito estão limpos.

Puxe a válvula de sobrepressão (9) para verificar se existe alguma obstrução que impeça um funcionamento sem problemas.

Armazenamento (Fig F1, F2)

- Coloque o pulverizador no suporte junto do anel do depósito. Como indicado na Fig. F1.
- Depois de ser retirado do pulverizador, o bico pode ser armazenado no compartimento para arrumar bicos (16), como indicado na Fig. F2.



Armazene o pulverizador de pressão num local sem gelo.

Limpar o filtro da mangueira (Fig. F1)

Desaperte a pega do depósito e retire a mangueira dentro do depósito. Limpe o filtro (14). Depois de limpá-lo, coloque o filtro montado de novo na mangueira do depósito e a mangueira dentro do depósito.

Há líquido no depósito, mas não sai do pulverizador

- Verifique se o pulverizador está totalmente carregado.
- Verifique se todas as mangueiras (incluindo as que estão no depósito) estão ligadas correctamente. Se necessário, ligue novamente e aperte as porcas necessárias.
- Puxe a válvula de descarga para libertar pressão.

AMBIENTE



Os equipamentos eléctricos ou electrónicos defeituosos e/ou eliminados devem ser recolhidos em locais de reciclagem adequados.

Apenas para os países da CE

Não elimine as ferramentas eléctricas em conjunto com os resíduos domésticos. De acordo com a directiva europeia 2012/19/CE sobre resíduos de equipamentos eléctricos e electrónicos e a respectiva implementação na legislação nacional, as

ferramentas eléctricas que já não sejam utilizadas devem ser recolhidas em separado e eliminadas de maneira ecológica.

GARANTIA

Os produtos da VONROC são desenvolvidos de acordo com os padrões de qualidade mais elevados e não têm quaisquer defeitos em termos de materiais e mão-de-obra em relação ao período estipulado por lei, cujo início é a partir da data de compra original. Se o equipamento apresentar qualquer falha durante este período devido a qualquer defeito no material e/ou de mão-de-obra, contacte a VONROC directamente.

As seguintes circunstâncias estão excluídas desta garantia:

- Se forem efectuadas ou tentadas quaisquer reparações e/ou alterações na máquina por centros de assistência não autorizados;
- Desgaste normal;
- Se a ferramenta foi utilizada de maneira abusiva, indevida ou a manutenção for efectuada de maneira incorrecta;
- Se forem utilizadas peças sobresselentes não originais.

Isto constitui a única garantia feita pela empresa, de maneira expressa ou implícita. Não existem quaisquer outras garantias expressas ou implícitas que se prolonguem, incluindo as garantias implícitas de comercialização e adequação para fins específicos. A VONROC não será, em nenhuma circunstância, responsável por danos incidentais ou indirectos. Os fornecedores devem estar limitados a reparar ou substituir as unidades ou peças que não estejam em conformidade.

O equipamento e o manual do utilizador estão sujeitos a alterações sem aviso prévio. As especificações podem ser alteradas sem aviso prévio.

1. BIZTONSÁGI UTASÍTÁSOK

Olvassa el a mellékelt biztonsági figyelmeztetéseket, a kiegészítő biztonsági figyelmeztetéseket és az utasításokat. A figyelmeztetések és utasítások be nem tartása áramütéshez, tűz keletkezéséhez vagy akár súlyos személyi sérüléshez vezethet.

Őrizze meg a biztonsági figyelmeztetéseket és az utasításokat, hogy azokat később is használhassa referenciaként.

A használati útmutatóban és a terméken a következő jelölésekkel találkozhat:



Olvassa el a használati útmutatót.



Jelzi a személyi sérülések, az életveszély vagy a szerszám károsodásának veszélyét.



Áramütés veszélye.



Viseljen védőszemüveget.



Viseljen porvédő álarcot.



Óvja a készüléket a fagytól.



Az akkumulátort tűzbe dobni tilos.



Az akkumulátort vízbe dobni tilos.



A terméket hulladékként ne tegye arra nem alkalmas konténerbe.



Li-ion akkumulátor szelektív gyűjtése.



A termék megfelel az európai irányelvek releváns biztonsági követelményeinek.

AZ ELEKTROMOS SZERSZÁMOKRA VONATKOZÓ ÁLTALÁNOS BIZTONSÁGI FIGYELMEZTETÉSEK



FIGYELMEZTETÉS! *Olvasson el minden biztonsági figyelmeztetést és utasítást.*

A figyelmeztetések és az utasítások be nem tartása áramütést, tüzet és/vagy súlyos sérülést okozhat.

Az összes figyelmeztetést és utasítást őrizze meg, mert később még szüksége lehet rájuk.

A figyelmeztetésben használt „elektromos szerszám” kifejezés a hálózatról működtetett (vezetékes) elektromos szerszámra vagy akkumulátoros (vezeték nélküli) elektromos szerszámra utal.

1) A munkaterület biztonsága

- Gondoskodjon a munkaterület tisztaságáról és megfelelő megvilágításáról.** A rendezetlen és sötét területeken valószínűbb a balesetek előfordulása.
- Ne használjon elektromos szerszámokat robbanásveszélyes környezetben, pl. gyúlékony folyadékok, gázok vagy por jelenlétében.** Az elektromos szerszámok használata során keletkező szikra lángra lobbantathatja a port és füstöt.
- Az elektromos szerszám használata során a gyermekeket és a közelben tartózkodó személyeket tartsa távol a munkaterülettől.** Ha valami eltereli a figyelmét, elveszítheti az irányítást.

2) Elektromos biztonság

- Az elektromos szerszám dugóinak megfelelőnek kell lenniük az aljzathoz. Soha ne próbálja semmilyen módon módosítani a dugót. Földelt elektromos szerszámokhoz ne használjon semmilyen adapterdugót.** Az eredeti (értsd: módosítás nélküli) dugók és megfelelő hálózati aljzatok használatával mérsékelhető az elektromos áramütés veszélye.
- Ügyeljen arra, hogy teste ne érintkezzen földelt felületekkel, például csővezetékekkel, radiátorral, tűzhellyel vagy hűtőszekrényel.** Ha teste földelődik, megnő az áramütés kockázata.
- Óvja az elektromos szerszámokat az esőtől és nedves környezettől.** Az elektromos szerszámokban kerülő víz növeli az elektromos áramütés veszélyét.
- Ne használja helytelenül (nem előírászerűen) a kábelt. A kábelt soha ne használja az elektromos szerszám hordozására, húzására vagy az aljzathoz történő kihúzására. A kábelt tartsa távol hőforrásoktól, olajtól, hegyes élektől és mozgó alkatrészeketől.** A sérült vagy megrepedett kábelek növelik az elektromos áramütés veszélyét.

- e) **Az elektromos szerszám kültéri használata esetén kültéri használatra alkalmas hosszabító kábelt használjon.** A kültéri használatra alkalmas kábel használatával mérsékelhető az elektromos áramütés veszélye.
- f) **Ha az elektromos szerszámot mindenképpen nedves környezetben kell használni, akkor használjon áramvédő kapcsolóval (RCD) ellátott tápforrást.** Az áramvédő kapcsolóval ellátott tápforrás használatával mérsékelhető az elektromos áramütés veszélye.
- 3) Személyi biztonság**
- a) **Az elektromos szerszám használata során maradjon éber, koncentráljon az éppen végzett műveletre és használja a józan ítélőképességét. Ha fáradt, vagy ha kábítószert, alkoholt vagy gyógyszer hatása alatt áll, ne használjon elektromos szerszámot.** Az elektromos szerszámok használata közben egyetlen pillanatnyi figyelmetlenség is súlyos személyi sérülést okozhat.
- b) **Használjon egyéni védőfelszerelést. Mindig viseljen szemvédő felszerelést.** A megfelelő körülményekhez való védőeszközökkel (például pormaszkkal, csúszásgátló biztonsági cipővel, munkavédelmi sisakkal vagy hallásvédő eszközzel) csökkenthető a személyi sérülések kockázata.
- c) **Gondoskodjon a gép véletlen elindulásának a megelőzéséről. A szerszám tápforráshoz és/vagy akkumulátorcsomaghoz történő csatlakoztatása, kézbevétele vagy hordozása előtt győződjön meg róla, hogy a kapcsoló OFF (kikapcsolt) állásban van.** Ha úgy hordozza az elektromos szerszámot, hogy az ujjá a kapcsolón van, vagy úgy helyezi feszültség alá, hogy a kapcsolója ON (bekapcs.) helyzetben van, ez növeli a balesetek kockázatát.
- d) **Az elektromos szerszám bekapcsolása előtt távolítsa el a csavarkulcsokat vagy beállító kulcsokat.** Az elektromos szerszám forgó alkatrészein felejtett csavarkulcs vagy beállító kulcs személyi sérülést okozhat.
- e) **Ne próbáljon túlnyújtóztatni vagy kitekeredett testhelyzetben dolgozni. Mindig két lábbal, egyensúlyát megtartva álljon a talajon.** Így könnyebben tudja irányítani az elektromos szerszámot a váratlan helyzetekben.
- f) **Viseljen megfelelő öltözetet. Ne viseljen laza ruhát vagy ékszert. Haját, ruháját és kesztyűjét tartsa távol a mozgó alkatrészekről.** A mozgó alkatrészek behúzzhatják a ruhákat, az ékszereket és a hosszú hajat.
- g) **Ha a szerszámhoz porelszívó és porgyűjtő eszköz is lehet csatlakoztatni, akkor gondoskodjon ezek csatlakoztatásáról és megfelelő használatáról.** A porgyűjtő rendszerek használatával csökkenthető a porral kapcsolatos veszélyek.
- h) **Ne engedje, hogy a szerszámok gyakori használata során szerzett tapasztalatai túlzott biztonságérzetet keltsenek Önben, és amiatt elhanyagolja a biztonsági alapelveket.** Gondatlan cselekvés már a másodperc töredéke alatt is súlyos sérülést okozhat.
- 4) Az elektromos szerszám használata és ápolása**
- a) **Az elektromos szerszámot tilos túlzott erőfeszítéssel használni. Az alkalmazási célnak megfelelő elektromos szerszámot használjon.** A megfelelő elektromos szerszám jobban és biztonságosabban végzi a munkát azon a fordulatszámra, amire azt tervezték.
- b) **Ne használja az elektromos szerszámot, ha az nem kapcsolható be/ki a főkapcsolóval.** Bár mely elektromos szerszám veszélyes lehet, amit a kapcsolóval nem lehet irányítani, ezért az ilyen elektromos szerszámot meg kell javíttatni.
- c) **Válassza le a dugót a tápforrásról és/vagy az akkumulátorcsomagot az elektromos szerszámról, mielőtt bármilyen módosítást végez, tartozékot cserél vagy eltávolítja az elektromos szerszámot.** Ezekkel a megelőző biztonsági intézkedésekkel csökkenthető az elektromos szerszám véletlen elindulásának a kockázata.
- d) **A használaton kívüli elektromos szerszámot olyan helyen tárolja, ahol gyermekek nem férhetnek hozzá; ne engedje, hogy olyan személyek használják, akik az elektromos szerszámot és ezeket az utasításokat nem ismerik.** Az elektromos szerszámok rendkívül veszélyesek lehetnek szakképzetlen felhasználók kezeiben.
- e) **Tartsa karban az elektromos szerszámokat. Ellenőrizze, hogy a mozgó alkatrészek nem állítódtak-e el vagy nem szorulnak-e, nincsenek-e a szerszámon törött alkatrészek, és nem állnak-e fenn olyan körülmények, amelyek befolyásolhatják a szerszám működését. Ha az elektromos szerszám sérült, használat előtt javíttassa meg.** A nem megfelelően karbantartott elektromos szerszámok számos balesetet okoznak.

- f) **Tartsa élesen és tisztán a vágószerszámokat.** A megfelelően karbantartott, éles vágószerszámok beszorulásának kisebb a valószínűsége, ráadásul könnyebben irányíthatók.
- g) **Az elektromos szerszámot, tartozékokat és szerszámszárakat stb. a használati útmutatónak megfelelően használja, a munkakörülmények és az elvégzendő feladat figyelembevételével.** Ha az elektromos szerszámot a rendeltetési céljától eltérően használják, ez veszélyhelyzetet teremthet.
- h) **Tartsa a fogantyúkat és egyéb markolási felületeket szárazon, tisztán, olajtól és zsírtól mentesen.** Váratlan helyzetekben a csúszós fogantyúk és egyéb markolási felületek akadályozzák a szerszám biztonságos kezelését és irányítását.
- 5) **Az akkumulátoros szerszám használata és gondozása**
- a) **Újratöltéshez csak a gyártó által megjelölt töltőt használja.** Az egyik akkumulátorhoz megfelelő töltő másikat töltővel használva tűzveszélyes lehet.
- b) **Csak a kifejezetten hozzájuk készült akkumulátorral használja az elektromos szerszámokat.** Bármilyen másfajta akkumulátor használata tűz- és balesetveszélyt idézhet elő.
- c) **Amikor nem használja az akkucsomagot, tartsa azt távol minden fémes tárgytól, például tűzőkapecstől, érmétől, kulcstól, szögtől, csavartól és minden más apró fémtárgytól, amely a sarukat rövidre zárhatná.** Az akkumulátor kapcsok rövidre zárása égési sérülést vagy tüzet okozhat.
- d) **Nem előírászerű körülmények között folyadék szivároghat az akkumulátorból; ne érjen hozzá. Ha véletlenül mégis a bőrre kerül, vízzel öblítse le. Ha a folyadék szembe kerül, ezenkívül forduljon orvoshoz is.** Az akkumulátorból származó folyadék bőrizgató hatású, égési sérülést is okozhat.
- e) **Sérült vagy átalakított akkucsomagot és szerszámot ne használjon.** A sérült vagy átalakított akkumulátorok kiszámíthatatlanul viselkedhetnek, tüzet, robbanást vagy sérülést okozhatnak.
- f) **Tűztől és szélsőséges hőmérséklettől óvja az akkucsomagot és a szerszámot.** Ha tűznek vagy 130 °C-on felüli hőmérsékletnek teszi ki, robbanást okozhat. MEGJEGYZÉS: a „130 °C” „265 °F”-nak (Fahrenheit foknak) felel meg.
- g) **Tartsa be a töltésre vonatkozó összes utasítást, és ne töltse az akkucsomagot vagy a szerszámot a kezelési útmutatóban megadott tartományon kívül eső hőmérséklet mellett.** Nem megfelelő vagy a megadott tartományon kívüli hőmérséklet mellett történő töltés károsíthatja az akkumulátort, és tűzveszéllyel jár.

6) Szerviz

- a) **Az elektromos szerszámot képzett javító szakemberrel javíttassa, csakis az eredetivel azonos pótalkatrészeket használjon fel.** Ez biztosítja, hogy a villamos kéziszerszám továbbra is biztonságos maradjon.
- b) **Sérült akkucsomagot soha ne szervelizzen.** Akkucsomagok szervizelését csak a gyártó vagy annak megbízott szolgáltatója végezheti.

Elektromos biztonság

Soha semmilyen folyadékot nem szabad közvetlenül elektromos készülékre vagy elektromos alkatrészt tartalmazó berendezésre irányítani. Ezt a szabályt minden esetben tartsa be! Helytelen használata vagy sérülésük esetén gyűlékony folyadék szivároghat ki az akkumulátorból. Ne érjen ehhez a folyadékhoz! Ha véletlenül mégis a bőrre kerül, vízzel öblítse le! Ha a folyadék szembe kerül, azonnal keressen fel egy orvost!

- Soha ne nyissa ki a kézi pumpás permetezőt és ne csavarja ki a fűvókát, amikor a kézi pumpás permetező még nyomás alatt van. A személyi sérülés elkerülése érdekében soha ne csatlakoztassa a kézi pumpás permetezőt légkompresszorhoz.
- A biztonsági leengedőszelep meghúzása előtt mindig tartsa függőlegesen a kézi pumpás permetezőt. Rovarölő, gyomirtó vagy gombaölő szerek vagy más folyékony növényvédő szerek permetezése során be kell tartania az alkalmazott termék gyártója által előírt összes különleges óvintézkedést.



Mielőtt kinyitná a kézi pumpás permetező tartályát, alaposan engedje le a nyomást a biztonsági leengedőszelep meghúzásával.

VESZÉLY! Az apró alkatrészeket könnyű lenyelni. Továbbá a nejlonzacsók fulladásveszélyt okozhatnak a kisgyermeknek. A termék összeszerelésekor tartsa távol a kisgyermeket.

Üzembiztonság

VIGYÁZAT: A tartály maximum 5 liter vízzel tölthető fel.

- Minden egyes használat előtt ellenőrizze a kézi pumpás permetezőzt!
- Soha ne hagyja a kézi pumpás permetezőzt felügyelet nélkül! Ne tárolja hosszabb ideig, ha folyadékkal van tele és nyomás alatt van.
- Gyermekektől tartsa távol! Mások biztonságáért Ön tartozik felelősséggel.
- A kézi pumpás permetezőzt hőforrástól és forró környezettől tartsa távol!
- A pumpás kart kézzel csavarja fel, és jól húzza meg (szerszám nélkül!). Győződjön meg arról, hogy az O-gyűrűt a megfelelő módon helyezte fel!
- A főkapcsolót kizárólag akkor kapcsolja be (l állás), ha a pumpás kart már rácsavarta a tartályra!
- Az akkumulátort kizárólag környezeti (0 °C és + 40 °C közötti) hőmérséklet mellett töltsen fel. Ha az akkumulátor hőmérséklete kívül esik a megengedett töltési hőmérsékleten, az elem nem tölthető fel. A megengedett hőmérsékleti tartomány elérésekor az akkumulátor töltődni kezd.

A tisztításra vonatkozó biztonsági utasítások

- Minden egyes használat után engedje le a nyomást, ürítse ki a tartályt, alaposan tisztítsa meg és tiszta vízzel öblítse ki! Majd hagyja szétszerelt állapotban, hogy az megszáradhasson!
- A megmaradt folyadékot nem szabad csatornahálózatba engedni (helyi selejtezőrendszerek).
- A vegyi reakciók elkerülése érdekében, az egyes termékek használata között mindig tisztítsa ki a kézi pumpás permetezőzt!
- Amennyiben több kézi pumpás permetezőzt használ, tilos egymással felcserélni az egyes permetezők permetező fúvókáit és tartályait!

A tárolásra vonatkozó biztonsági utasítások

- Tárolás előtt lazítsa meg a tartály sapkáját és minden esetben teljesen ürítse ki a kézi pumpás permetezőzt (a vízzel való tisztítást követően is)!
- Ne tárolja fagyveszélyes helyen!
- A kézi pumpás permetezőzt a hordozósíjnál vagy a fogantyúnál fogva hordozza.

- A terméket óvja a közvetlen napsugárzástól!
A termék felmelegedhet!

2. AZ ESZKÖZ ADATAI**Rendeltetésszerű használat**

A kézi pumpás permetezőzt oldószermentes folyadékok, például rovarirtók¹, gyomirtók¹, műtrágyák¹ és ablaktisztító szerek¹ kiskeretekben történő elosztatására terveztük.

Használata közterületeken, parkokban, sportarénákban, mezőgazdasági területeken és erdőkben tilos! A kézi pumpás permetező megfelelő használatához be kell tartani és meg kell felelni a használati utasításban szereplő előírásoknak.

**Figyelmeztetés!**

1. A pisztolyokkal ne permetezzen gyúlékony anyagokat.
2. Vegye figyelembe a permetezni kívánt anyaggal összefüggésben esetlegesen felmerülő veszélyeket és az egyes utasításokat a tartályon lévő jelölések és a kipermetezni kívánt anyag gyártója által szolgáltatott információ megismerésére!
3. Ne permetezzen ki semmilyen anyagot, ha a kapcsolódó veszélyek nem ismertek!
4. A pisztolyokat tilos gyúlékony oldószerekkel tisztítani.

¹ A növényvédelemről, valamint a tisztító- és takarítószerekről szóló jogszabály értelmében kizárólag jóváhagyott tisztítószerek alkalmazhatók (hivatalos specialista forgalmazók).

MŰSZAKI ADATOK

Modellazonosító	PS504DC
Maximális kapacitás	5L
Feszültség	4 V
USB-csatlakozás	USB-C
A permetezőcső hossza (beleértve a permetezőfogantyút)	15-50CM
Üzemidő	2 óra
Töltési idő	2 óra
Nyomásteljesítmény	0,3 liter/perc
Víz max. üzemi hőmérséklete	60 °C
Hangnyomás (Lpa)	52,8 + 3 dB(A)
Hangteljesítmény (Lwa)	63,8 + 3 dB(A)
Rezgés	0,205 + 1,5 m/s ²

Rezgésszint

A nyilatkozatban szereplő teljes rezgésértéket az EN 60745-1 és EN 50580 szerinti szabványos vizsgálati módszerrel összhangban mérték, és felhasználható egy szerszámnak egy másik szerszámmal történő összehasonlítására. A nyilatkozatban szereplő teljes rezgésérték a kitettség előzetes értékeléséhez is felhasználható.

- Az elektromos szerszám használata közben jellemző rezgés kibocsátása a megadott teljes értéktől eltérő lehet a szerszám használati módjától függően.
- A gépkészítő védelme érdekében olyan biztonsági intézkedéseket kell meghatározni, amelyek az aktuális felhasználási körülményekben jellemző expozíció előzetes becsülésén alapulnak (figyelembe véve a működési ciklus valamennyi részét, tehát a szerszám aktív működtetésén kívül a kikapcsolt állapotban és az üresjáratú állapotban töltött időket is).

LEÍRÁS

A szövegbeli számok a 2–4. oldal képeire utalnak.

1. Permetező
2. Fúvókázáró anya
3. Rövid fúvóka
4. Hosszú fúvóka
5. Tömlő
6. Tartály
7. Tartályfogantyú

8. Tartálygyűrű
9. Leengedőszelep
10. Hordozósíj
11. Töltőkábel (tartozék)
12. Töltésjelző fény
13. Főkapcsoló
14. Tömlőszűrő
15. Töltésjelző lámpa
16. Fúvókatároló
17. Folyadékszint-jelző

3. ÖSSZESZERELÉS**Fúvókák (B ábra)**

Az első használatkor a rövid fúvóka (3) van felszerelve a permetezőre (1).

- Távolítsa el a fúvókázáró anyát (2).
- Távolítsa el és cserélje ki a rövid (3) vagy a hosszú fúvókát (4).
- Tegye fel a fúvókázáró anyát (2), és kézzel húzza meg.



Ellenőrizze, hogy a tömlő (5) továbbra is jól csatlakozik-e a permetezőhöz (1) és a tartálygyűrűhöz (8) – szükség esetén kézzel húzza meg az anyákat.

Hordozósíj

- Csatlakoztassa a hordozósíját a tartályhoz.

4. HASZNÁLAT**A permetező feltöltése (C ábra)**

Csatlakoztassa a töltőkábelt (11) (mellékelve a termékhez) egy adapterhez (nem része a csomagnak).

- Csatlakoztassa a töltőkábelt (11) a permetezőhöz.
- Dugja be a töltő dugóját egy elektromos aljzatba. Pár másodperc elteltével a töltésjelző lámpa (12) világítani kezd, jelezve a töltöttségi állapotot.

Az akkumulátor teljes feltöltése 2 órát is igénybe vehet.

Az akkumulátor állapotának ellenőrzése (D ábra)

A töltésjelző lámpa (15) a főkapcsoló (13) megnyomásakor jelzi a hátralévő akkumulátorszintet.

A töltésjelző lámpa (15) két lámpából áll, jelezve a hátralévő töltöttségi szintet. Minél több lámpa

kigyullad, annál több a kapacitás az akkumulátorban.

Ha egy lámpa világít, akkor az akkumulátor majdnem teljesen lemerült, azt tölteni kell.

A folyadék permetezése („E” ábra)

Megjegyzés: Vegye figyelembe a permetezni kívánt termék gyártója által megadott biztonsági és adagolási utasításokat!

1. Húzza meg a biztonsági leengedőszelepet (9). Lásd az E1 ábrát.
2. Csavarja le a tartályfogantyút (7), majd töltsen meg a tartályt (6). Lásd az E2 ábrát.
* Szükség esetén adjon hozzá adalékfolyadékot.
3. Csavarja vissza a tartályfogantyút (7) a tartályra (6).



Ellenőrizze, hogy a tömlő (5) továbbra is jól csatlakozik-e a permetezőhöz (1) és a tartálygyűrűhöz (8) – szükség esetén kézzel húzza meg az anyákat.

4. A permetezéshez nyomja meg hosszan a főkapcsoló gombot (13).
5. Amikor befejezte a permetezést, engedje el a permetező gombját – a permetező ekkor leáll.

A permetszórás beállítása a fúvóka hegyénél (E4 ábra)

A víz a fúvóka hegyén (3+4) keresztül lineárisan vagy legyező alakban permetezhető ki. Először kapcsolja be a permetezőt, majd állítsa be a fúvóka hegyét. Ezt a hegy óramutató járásával megegyező vagy ellentétes irányban történő elforgatással tudja megtenni. Ezt az E4 ábra szemlélteti.

Folyadékszintjelző (17)

A tartályon (6) átlátszó vonal jelzi a tartályban található folyadék szintjét.

Liters jelzésű mérőpohárként is használható.

5. KARBANTARTÁS

Tisztítás

A kézi pumpás permetezőt minden egyes használatot követően tisztítsa meg! A kézi pumpás permetezőt csak tiszta vízzel (esetleg mosogatószer hozzáadásával) használja, amíg a tartály ki nem ürül. A szelepek, a permetező (1), a fúvókák (3+4),

a tömlő (5) és a tartályban lévő tömlőszűrő (14) megtisztul.

A zavartalan működés érdekében a biztonsági leengedőszelep (9) meghúzásával ellenőrizze, nincs-e dugulás.

Tárolás (F1, F2 ábra)

- Tegye a permetezőt a tartálygyűrűn lévő tartóra. Ezt az F1 ábra szemlélteti.
- A permetezőhöz éppen nem csatlakoztatott fúvóka az F2 ábrán látható módon a fúvókátárolóban (16) tárolható.



A kézi pumpás permetezőt fagymentes helyen tárolja!

A tömlőszűrő tisztítása (F1 ábra)

Csavarja le a tartályfogantyút, és távolítsa el a tartályban lévő tömlőt. Tisztítsa meg a szűrőt (14). A tisztítást követően tegye vissza a csatlakoztatott szűrőt a tartálytömlőre és a tartályban lévő tömlőre.

Van folyadék a tartályban, de a permetező mégsem permetez

- Ellenőrizze, hogy a permetező teljesen fel van-e töltve!
- Győződjön meg róla, hogy az összes tömlő (a tartályon belül is) megfelelően csatlakoztatva van – szükség esetén csatlakoztassa újra őket, és húzza meg a szükséges anyákat.
- Engedje le a nyomást a leengedőszelep meghúzásával.

KÖRNYEZETVÉDELEM



A hibás vagy már feleslegessé vált elektromos, elektronikus készülékeket az ezzel foglalkozó gyűjtőpontokon kell leadni.

Csak EU országokban

Elektromos eszközt ne dobjon a háztartási hulladékba. Az elektromos és elektronikai hulladékokra vonatkozó, 2012/19/EU európai irányelv és annak a nemzeti törvénykezésbe történő átültetése értelmében az elhasználandó elektromos készülékeket külön kell gyűjteni és környezetbarát módon kell kiselejtezni.

JÓTÁLLÁS

A VONROC termékei a legmagasabb minőségi normák szerint készülnek, és az eredeti vásárlás napjától számított, törvényileg előírt időtartamig garantáljuk, hogy anyag- és gyártási hibáktól mentesen fognak működni. Ha a termékben ezen időszak alatt bármilyen hiba jelentkezik anyag- és/ vagy gyártási hiba miatt, kérjük, forduljon közvetlenül az Ön VONROC kapcsolattartójához.

A szavatosság nem vonatkozik a következő körülmények semelyikére sem:

- Nem hivatalos szervizközpontok javítást vagy módosítást végeztek (vagy megkíséreltek javítást vagy módosítást végezni) a gépen;
- Normál elhasználódás és kopás.
- A terméket szabálytalanul vagy rendeltetésellenesen használták, vagy a karbantartása nem volt megfelelő;
- Nem eredeti pótalkatrészeket használtak.

A jelen garancia a vállalat által (akár kifejezetten, akár hallgatólagosan) biztosított kizárólagos garancia. Nem léteznek olyan egyéb garanciák (sem kifejezett, sem hallgatólagos garanciák, beleértve az értékesíthetőségre és az adott célra való alkalmasságra vonatkozó hallgatólagos garanciákat is), amelyek a jelen garancia hatókörén túlmutatnak. A VONROC semmilyen esetben sem felelős semmilyen járulékos vagy következményes kárért. A forgalmazók javításai kizárólag az előírásoknak nem megfelelő egységek vagy alkatrészek javítására és cseréjére vonatkoznak.

A termék és a használati útmutató változtatásának jogát fenntartjuk. A műszaki adatok előzetes bejelentés nélkül változhatnak.

1. BEZPEČNOSTNÍ POKYNY

Přečtěte si přiložené bezpečnostní výstrahy, dodatečné bezpečnostní výstrahy a bezpečnostní pokyny. Nebudete-li dodržovat tyto bezpečnostní výstrahy a pokyny, může dojít k úrazu elektrickým proudem, k vzniku požáru nebo k vážnému zranění. Uschovejte tyto bezpečnostní výstrahy a pokyny pro budoucí použití.

V tomto návodu k obsluze a na tomto výrobku jsou použity následující symboly:



Přečtěte si návod k obsluze.



Upozorňuje na riziko zranění osob, ztráty života nebo poškození zařízení, nebudou-li dodržovány pokyny uvedené v tomto návodu.



Nebezpečí úrazu elektrickým proudem.



Používejte ochranu zraku.



Používejte masku proti prachu.



Chraňte zařízení před mrazem.



Nevhazujte akumulátor do ohně.



Nevhazujte akumulátor do vody.



Nevyhazujte tento výrobek do nevhodného kontajneru.



Použijte tříděný odpad pro akumulátory Li-Ion.



Tento výrobek je vyroben v souladu s platnými bezpečnostními normami, které jsou uvedeny ve směrnících EU.

ZÁKLADNÍ BEZPEČNOSTNÍ VÝSTRAHY PRO ELEKTRICKÉ NÁŘADÍ



VAROVÁNÍ! Přečtěte si všechny bezpečnostní výstrahy a všechny pokyny.

Nebudete-li dodržovat tyto bezpečnostní výstrahy a pokyny, může dojít k úrazu elektrickým proudem, ke vzniku požáru nebo k vážnému zranění.

Uschovejte všechny bezpečnostní výstrahy a pokyny pro budoucí použití.

Pojem elektrické nářadí v těchto varováních odkazuje na elektrické nářadí napájené z elektrické sítě (s napájecím kabelem) nebo z akumulátoru (bez napájecího kabelu).

1) Bezpečnost pracovního prostoru

- a) **Udržujte pracoviště uklizené a dobře osvětlené.** Neuklizená nebo tmavá místa přivolávají nehody.
- b) **Nepoužívejte elektrické nářadí ve výbušných prostředích, jako jsou místa s přítomností hořlavých kapalin, plynů nebo prachu.** V elektrickém nářadí dochází k jiskření, které může způsobit vznícení prachu nebo výparů.
- c) **Při práci s tímto elektrickým nářadím udržujte děti a okolo stojící osoby v bezpečné vzdálenosti.** Rozptylování může způsobit ztrátu kontroly nad nářadím.

2) Elektrická bezpečnost

- a) **Zástrčka napájecího kabelu nářadí musí odpovídat zásuvce. Zástrčku nikdy žádným způsobem neupravujte. Nepoužívejte u uzemněného elektrického nářadí žádné adaptéry zástrček.** Neupravené zástrčky a odpovídající zásuvky snižují riziko úrazu elektrickým proudem.
- b) **Vyvarujte se kontaktu s uzemněnými povrchy, jako jsou potrubí, radiátory, trouby a ledničky.** Dojde-li k uzemnění vašeho těla, hrozí zvýšené riziko způsobení úrazu elektrickým proudem.
- c) **Nevystavujte elektrické nářadí dešti ani vlhkému prostředí.** Dostane-li se do elektrického nářadí voda, zvýší se riziko úrazu elektrickým proudem.
- d) **Nezacházejte špatně s napájecím kabelem. Nikdy nepoužívejte napájecí kabel pro přenášení nebo tahání tohoto elektrického nářadí a netahejte za tento kabel při vypořádání zástrčky ze zásuvky. Dbejte na to, aby tento kabel nepřecházel přes horké a mastné povrchy ani přes ostré hrany a aby se nedostal do kontaktu s pohyblivými částmi.** Poškozené nebo zamořené kabely zvyšují riziko úrazu elektrickým proudem.
- e) **Používáte-li elektrické nářadí venku, používejte prodlužovací kabel vhodný pro venkovní použití.** Použití prodlužovacího kabelu pro

venkovní použití snižuje riziko úrazu elektrickým proudem.

- f) **Musíte-li používat toto elektrické nářadí ve vlhkém prostředí, používejte v elektrickém obvodu proudový chránič (RCD).** Použití proudového chrániče (RCD) snižuje riziko úrazu elektrickým proudem.
- #### 3) Bezpečnost osob
- a) **Při práci s tímto elektrickým nářadím buďte stále pozorní; sledujte, co provádíte, a používejte zdravý rozum. Nepoužívejte elektrické nářadí, jste-li unaveni nebo jste-li pod vlivem drog, alkoholu nebo léků.** Chvilková nepozornost při práci s elektrickým nářadím může vést k velmi nebezpečným zraněním.
 - b) **Používejte osobní ochranné prostředky. Vždy používejte ochranu zraku.** Ochranné prostředky, jako jsou maska proti prachu, neklouzavá pracovní ochranná obuv, pevná přilba nebo chrániče sluchu, které jsou používány v příslušných podmínkách, zmenšují riziko způsobení zranění osob.
 - c) **Zabraňte náhodnému spuštění nářadí. Před připojením elektrického nářadí k napájecímu zdroji nebo před vložením akumulátoru do nářadí a také před zvednutím nářadí nebo před jeho přenášením se ujistěte, zda je vypínač na nářadí v poloze vypnuto.** Přenášení elektrického nářadí s prstem na spínači nebo připojení elektrického nářadí ke zdroji elektrické energie, je-li spínač v poloze zapnuto, zvyšuje pravděpodobnost vzniku nehod.
 - d) **Před zapnutím elektrického nářadí vždy odstraňte všechny klíče a seřizovací přípravky.** Klíče nebo seřizovací přípravky ponechané na rotující části elektrického nářadí mohou způsobit zranění osob.
 - e) **Nepřeceňujte své síly. Vždy udržujte správný postoj a rovnováhu.** Tak si zachováte lepší kontrolu nad nářadím v neočekávaných situacích.
 - f) **Vhodně se oblékejte. Nenoste volný oděv nebo šperky. Udržujte vlasy, oblečení a rukavice v bezpečné vzdálenosti od všech pohyblivých částí.** Volný oděv, šperky nebo dlouhé vlasy mohou být zachyceny pohyblivými částmi.
 - g) **Jsou-li zařízení vybavena adaptérem pro připojení odsávacího systému, ujistěte se, zda je odsávací zařízení správně připojeno a zda správně plní svoji funkci.** Použití odsávání prachu může snížit rizika spojená s prací v prašném prostředí.

- h) **Nedovolte, aby jistota získaná častým používáním nářadí vedla ke snížení vaší pozornosti a ignorování zásad bezpečné práce s nářadím.** Chvilková nepozornost může během zlomku sekundy způsobit vážné zranění.
- 4) Použití elektrického nářadí a jeho údržba**
- a) **Nepřetěžujte elektrické nářadí. Používejte pro prováděnou práci správné elektrické nářadí.** Správné elektrické nářadí provede práci lépe a bezpečněji, je-li použito pro práce, pro které je určeno.
- b) **Nepoužívejte elektrické nářadí, nepracuje-li správně jeho spouštěcí spínač.** Elektrické nářadí, které nelze ovládat pomocí spouštěcího spínače, je velmi nebezpečné a musí být opraveno.
- c) **Před prováděním jakéhokoliv seřízení, před výměnou příslušenství a/nebo před uložením odpojte napájecí kabel nářadí od napájecího zdroje, nebo z nářadí vyjměte akumulátor.** Tato preventivní bezpečnostní opatření snižují riziko náhodného spuštění elektrického nářadí.
- d) **Uložte nepoužívané elektrické nářadí mimo dosah dětí a nedovolte osobám, které nejsou obeznámeny s tímto nářadím nebo s těmito pokyny, aby toto elektrické nářadí používaly.** Elektrické nářadí je v rukách neproškolených osob nebezpečné.
- e) **Provádějte údržbu elektrického nářadí. Zkontrolujte nevyrovnaní nebo vážnutí pohyblivých částí, poškození součástí a jiné stavy, které by mohly mít vliv na správnou funkci nářadí. Je-li elektrické nářadí poškozeno, zajistěte jeho opravu dříve, než jej použijete.** Mnohé nehody bývají způsobeny nedostatečnou údržbou elektrického nářadí.
- f) **Udržujte řezné nástroje ostré a čisté.** U správně udržovaných řezných nástrojů s ostrými řeznými břity je menší pravděpodobnost jejich zablokování a lépe se s nimi pracuje.
- g) **Používejte elektrické nářadí, příslušenství, pracovní nástroje atd. v souladu s těmito pokyny a berte v úvahu pracovní podmínky a práci, která má být provedena.** Použití elektrického nářadí pro operace, pro které není určeno, může vést k nebezpečným situacím.
- h) **Dbejte na to, aby byly rukojeti a úchopné povrchy suché, čisté a zbavené olejů a maziv.** Kluzké rukojeti a úchopné plochy neumožňují bezpečnou manipulaci a ovládnání nářadí v neočekávaných situacích.
- 5) Použití a údržba akumulátorového nářadí**
- a) **K nabíjení používejte výhradně nabíječku předepsanou výrobcem.** Nabíječka vhodná pro jeden typ akumulátoru může způsobit požár při vložení jiného, nevhodného typu.
- b) **Používejte elektrické nářadí pouze s předepsanými akumulátory.** Použití jiných typů akumulátoru může způsobit požár nebo zranění.
- c) **Není-li akumulátor používán, uložte jej mimo dosah kovových předmětů, jako jsou kancelářské sponky, mince, klíče, hřebíky, šroubky nebo jiné malé kovové předměty, které by mohly zkratovat jeho kontakty.** Zkratování kontaktů akumulátoru může způsobit popáleniny nebo požár.
- d) **Za nevhodných podmínek může z akumulátoru unikat kapalina. Vyvarujte se kontaktu s touto kapalinou. Dojde-li k náhodnému kontaktu s touto kapalinou, zasažené místo omyjte vodou. Dostane-li se kapalina do očí, ihned si je vypláchněte vodou a vyhledejte lékařskou pomoc.** Unikající kapalina z akumulátoru může způsobit podráždění pokožky nebo popáleniny.
- e) **Nepoužívejte poškozený nebo upravený akumulátor či nářadí.** Poškozené nebo upravené akumulátory se mohou chovat nepředvídatelně, což může způsobit požár, výbuch nebo nebezpečí zranění.
- f) **Nevystavujte akumulátor nebo nářadí ohni ani nadměrným teplotám.** Vystavení účinkům ohně nebo teplot nad 130 °C může způsobit výbuch. POZNÁMKA: Teplota „130 °C“ odpovídá teplotě „265 °F“.
- g) **Dodržujte všechny pokyny pro nabíjení a nenabíjejte akumulátor ani nářadí mimo teplotní rozsah předepsaný v těchto pokynech.** Nesprávné nabíjení nebo nabíjení při teplotě mimo předepsaný rozsah může poškodit akumulátor a zvýšit nebezpečí vzniku požáru.
- 6) Servis**
- a) **Svěřte opravu svého elektrického nářadí pouze osobě s příslušnou kvalifikací, která bude používat výhradně originální náhradní díly.** Tím zajistíte bezpečný provoz tohoto elektrického nářadí.
- b) **Nikdy neopravujte poškozené akumulátorové moduly.** Opravy akumulátorů smí provádět výhradně výrobce nebo technik autorizovaného servisu.

Elektrická bezpečnost

Je třeba dbát na to, aby žádná kapalina nesměřovala přímo na elektrická zařízení ani na zařízení obsahující elektrické součásti. Při nesprávném použití nebo při poškození akumulátoru může z akumulátoru unikat hořlavá kapalina. Je třeba se vyhnout kontaktu s touto kapalinou. Dojde-li k náhodnému kontaktu s touto kapalinou, zasažené místo opláchněte vodou. Pokud se vám kapalina dostane do očí, vyhledejte další lékařskou pomoc.

- Nikdy neotevírejte tlakový postřikovač ani neodšroubovávejte hubici, pokud je tlakový postřikovač stále pod tlakem. Aby nedošlo ke zranění, nikdy nepřipojujte tlakový postřikovač ke vzduchovému kompresoru.
- Před vytažením pojistného ventilu vždy držte tlakový postřikovač svisle. Při postřiku insekticidy, herbicidy a fungicidy nebo jinými kapalnými přípravky na ochranu rostlin musíte dodržovat všechna zvláštní preventivní opatření stanovená výrobcem vámi používaného přípravku.



Před otevřením nádrže tlakového postřikovače vždy důkladně uvolněte tlak zatažením za pojistný odlehčovací ventil.

NEBEZPEČÍ! Malé části lze snadno spolknout. Existuje také nebezpečí, že by se batolata mohla udusit igelitovým sáčkem. Při sestavování zařízení nesmí být batolata v jeho blízkosti.

Bezpečnost při používání

UPOZORNĚNÍ: Do nádrže může být naplněno maximálně 5 litrů kapaliny.

- Před každým použitím tlakový postřikovač zkontrolujte.
- Nikdy nenechávejte tlakový postřikovač bez dozoru ani ho neskladujte dlouhou dobu, když je plný a pod tlakem.
- Udržujte toto zařízení mimo dosah dětí. Vy jste zodpovědní za bezpečnost ostatních.
- Udržujte tlakový postřikovač mimo zdroje tepla a horké prostředí.
- Rukou pevně našroubujte rukojeť čerpadla (nepoužívejte nástroje) a ujistěte se, že O-kroužek je správně nasazen.
- Vypínač lze přepnout do polohy „I“ pouze tehdy, když je rukojeť čerpadla našroubována na nádrž.
- Akumulátor nabíjejte pouze při okolní teplotě v rozmezí od 0 °C do +40 °C. Pokud je teplo-

ta akumulátoru mimo povolený rozsah teplot nabíjení, nelze akumulátor nabíjet. Jakmile je dosaženo přípustného rozmezí teplot, může nabíjení akumulátoru proběhnout.

Bezpečnost při čištění

- Po každém použití uvolněte tlak, vyprázdněte nádrž, pečlivě ji vyčistěte a vypláchněte čistou vodou. Potom nechejte tlakový postřikovač otevřený, aby mohl vyschnout.
- Nevylévejte zbytky kapalin do kanalizace (místní sítě).
- Před použitím jiného produktu tlakový postřikovač důkladně vyčistěte, aby nedošlo k chemické reakci.
- Při použití několika tlakových postřikovačů nelze mezi nimi zaměňovat nádrže a postřikovací hubici.

Bezpečnost při skladování

- Před uložením povolte uzávěr nádrže a vždy svůj tlakový postřikovač úplně vyprázdněte (i po čištění vodou).
- Chraňte před mrazem.
- Tlakový postřikovač přenášejte za popruh nebo rukojeť.
- Zajistěte, aby byl výrobek chráněn před přímým slunečním světlem. Výrobek se může zahřívát.

2. INFORMACE O ZAŘÍZENÍ

Zamýšlené použití

Tlakový postřikovač je určen pro rozprašování kapalin bez obsahu rozpouštědel, např.: pesticidů¹, herbicidů¹, hnojiv¹ čističů oken¹ na soukromých zahradách a pozemcích.

Nesmí se používat na veřejných místech, v parcích, na sportovištích, v zemědělství ani v lesnictví. Shoda se specifikacemi v tomto návodu k obsluze je podmínkou pro správné používání tlakového postřikovače.



Varování!

1. Nepoužívejte pistole ke stříkání hořlavých materiálů.
2. Uvědomte si veškerá nebezpečí spojená s materiálem, který je rozprašován, dodržujte pokyny uvedené na obalu nebo v informacích poskytnutých výrobcem rozprašovaného materiálu.

3. Nestříkejte žádný materiál, jehož rizika nejsou známa.
4. Nečistěte pistole hořlavými rozpouštědly.

¹ Podle zákona o ochraně rostlin a také zákona o detergentech a čisticích prostředcích lze používat pouze schválené prostředky (autorizovaní specializovaní prodejci).

TECHNICKÉ SPECIFIKACE

Model č.	PS504DC
Max. objem	5 l
Napětí	4 V
USB připojení	USB-C
Délka stříkací trubice (včetně stříkací pistole)	15–50 cm
Doba práce	2 hodiny
Doba nabíjení	2 hodiny
Tlakový výstup	0,3 l/min
Max. provozní teplota vody	60 °C
Akustický tlak (Lpa)	52,8 + 3 dB(A)
Akustický výkon (Lwa)	63,8 + 3 dB(A)
Vibrace	0,205 + 1,5 m/s ²

Úroveň vibrací

Deklarovaná celková hodnota vibrací byla stanovena standardní zkušební metodou podle norem EN 60745-1 a EN50580 a lze ji používat pro srovnání jednoho nářadí; Deklarovaná celková hodnota vibrací může být použita i při předběžném vyhodnocení expozice.

- Emise vibrací během skutečného používání elektrického nářadí se však mohou lišit od deklarované celkové hodnoty, a to v závislosti na způsobech používání tohoto nářadí.
- Je nutné určit bezpečnostní opatření na ochranu obsluhy, která jsou založena na odhadu expozice v aktuálních podmínkách používání (s ohledem na všechny části pracovního cyklu, jako jsou doby, kdy je toto nářadí vypnuto a kdy je v chodu naprázdno).

POPIS

Čísla v následujícím textu odkazují na obrázky na stranách 2-4.

1. Postřikovač
2. Zajišťovací matice hubice
3. Krátká hubice
4. Dlouhá hubice
5. Hadice
6. Nádrž
7. Rukojeť nádrže
8. Prsteneц nádrže
9. Odlehčovací ventil
10. Popruh na přenášení
11. Nabíjecí kabel (součást dodávky)
12. Indikátor nabíjení
13. Vypínač
14. Filtr hadice
15. Indikátor akumulátoru
16. Místo pro uložení hubice
17. Indikátor hladiny kapaliny

3. SESTAVENÍ

Hubice (obr. B)

Při prvním použití je na postřikovači (1) nasazena krátká hubice (3).

- Odšroubujte zajišťovací matici hubice (2).
- Sejměte nebo nasadte krátkou (3) nebo dlouhou hubici (4).
- Nasadte zajišťovací matici hubice (2) a utáhněte ji rukou.



Zkontrolujte, zda je hadice (5) dobře připojena k postřikovači (1) a k prstenci nádrže (8), popřípadě dotáhněte matici rukou.

Popruh na přenášení

- Připevněte popruh na přenášení k nádrži.

4. POUŽITÍ

Nabíjení postřikovače (obr. C)

Zapojte nabíjecí kabel (11) (je součástí dodávky) do adaptéru (není součástí dodávky).

- Zapojte kabel nabíječky (11) do postřikovače.
- Zapojte zástrčku nabíječky do elektrické zásuvky, po několika sekundách se indikátor nabíjení (12) rozsvítí a zobrazí se stav nabíjení.

Úplné nabití akumulátoru může trvat až 2 hodiny.

Kontrola stavu akumulátoru (obr. D)

Kontrolka akumulátoru (15) ukáže zbývající úroveň nabití akumulátoru, když stisknete vypínač (13).

Indikátor akumulátoru (15) používá dvě kontrolky k indikaci zbývající úrovně nabití. Čím více kontrolky svítí, tím více kapacity akumulátoru ještě zůstalo.

Když svítí jedna kontrolka, znamená to, že je akumulátor téměř vybitý a měli byste jej nabít.

Stříkání kapaliny (obr. E)

Poznámka: Dodržujte prosím bezpečnostní pokyny a pokyny pro dávkování poskytnuté výrobcem produktu, kterým budete provádět postřik.

1. Zatáhněte za odlehčovací ventil (9). Viz Obr. E1.
2. Odšroubujte rukojeť nádrže (7) a naplňte nádrž (6). Viz Obr. E2.
* V případě potřeby kapalinu zředte.
3. Našroubujte rukojeť nádrže (7) zpět na nádrž (6).



Zkontrolujte, zda je hadice (5) dobře připojena k postřikovači (1) a k prstenci nádrže (8), popřípadě dotáhněte matice rukou.

4. Když podržíte stisknutý vypínač (13) na postřikovači, bude kapalina stříkat.
5. Až budete s postřikem hotoví, vypínač uvolněte a stříkání ustane.

Nastavení stříkání pomocí trysky hubice (obr. E4)

Kapalina může vycházet z trysky hubice (3+4) buďto ve tvaru proudu nebo vějíře. Nejprve zapněte postřikovač a potom nastavte trysku hubice jejím otočením po směru nebo proti směru hodinových ručiček. Jak je zobrazeno na Obr. E4.

Ukazatel hladiny kapaliny (17)

Nádržka (6) má průhlednou část, ve které je vidět hladina kapaliny v nádrži. Díky stupnici se může použít i jako odměrná nádoba.

5. ÚDRŽBA**Čištění**

Po použití tlakový postřikovač vždy vyčistěte. Do tlakového rozprašovače nalijte pouze čistou vodu (případně s přidavkem mycího prostředku na nádobí) a obsah vystříkejte. Ventily, postřikovač (1), hubice (3+4), hadice (5) a hadicový filtr (14) uvnitř nádrže se vyčistí.

Zatáhněte za odlehčovací ventil (9), abyste se ujistili, že se volně pohybuje.

Uložení (obr. F1, F2)

- Uložte pistoli do držáku na prstenci nádrže. Jak je zobrazeno na Obr. F1.
- Hubice nepřipojené k postřikovači je možné uložit do speciálního držáku (16), jak je naznačeno na Obr. F2.



Tlakový postřikovač skladujte na místě, kde nemrzne.

Jak vyčistit filtr hadice (obr. F1)

Odšroubujte rukojeť nádrže a vytáhněte hadici z nádrže. Vyčistěte filtr (14). Po vyčištění připojte filtr zpět na hadici a hadici vložte do nádrže.

V nádrži je kapalina, ale postřikovač nestříká

- Zkontrolujte, zda je postřikovač plně nabitý.
- Zkontrolujte, že jsou všechny hadice (i uvnitř nádrže) správně připojeny. Podle potřeby je připojte a dotáhněte příslušné matice.
- Uvolněte tlak zatažením za odlehčovací ventil.

OCHRANA ŽIVOTNÍHO PROSTŘEDÍ

Poškozená a likvidovaná elektrická nebo elektronická zařízení musí být odevzdána ve sběrných dvorech, které jsou určeny pro tento účel.

Pouze pro země EU

Nevyhazujte elektrická nářadí do běžného domácího odpadu. Podle evropské směrnice 2012/19/EC týkající se likvidace elektrických a elektronických zařízení a její implementace do vnitrostátního práva, musí být nepoužívaná elektrická nářadí shromažďována odděleně a jejich likvidace musí být provedena tak, aby nedošlo k ohrožení životního prostředí.

ZÁRUKA

Výrobky VONROC jsou vyvíjeny v souladu s požadavky norem na nejvyšší kvalitu a je zaručeno, že po dobu platné záruky, která začíná běžet dnem původního nákupu, nebudou na těchto výrobcích žádné vady materiálu, ani vady způsobené špatným dílenským zpracováním. Dojde-li během tohoto období k závadě v důsledku vady materiálu nebo dílenského zpracování, kontaktujte přímo firmu VONROC.

Z této záruky jsou vyloučeny následující případy:

- Opravy nebo úpravy tohoto zařízení byly provedeny nebo byly provedeny pokusy o jejich provedení v neautorizovaných servisních střediscích;
- Běžné opotřebování;
- Toto zařízení bylo nesprávně použito, nevhodně použito nebo nebyla prováděna jeho správná údržba;
- Byly použity neoriginální náhradní díly.

Výše uvedené představuje jedinou záruku poskytovanou společností, ať už výslovnou nebo předpokládanou. Neexistují žádné další záruky, výslovné ani nebo předpokládané, které přesahují rámec zde uvedeného, včetně předpokládaných záruk prodejnosti a vhodnosti pro určitý účel. Společnost VONROC v žádném případě neodpovídá za jakékoli náhodné ani následné škody. Opravné prostředky prodejců se omezují výhradně na opravu nebo výměnu nevyhovujících jednotek nebo dílů.

Na tomto výrobku a v tomto návodu mohou být prováděny změny. Specifikace mohou být měněny bez dalšího upozornění.



DECLARATION OF CONFORMITY PS504DC - PRESSURE SPRAYER 5L-4V

- (EN) We declare under our sole responsibility that this product is in conformity with directive 2011/65/EU of the European parliament and of the council of 8 June on the restriction of the use of certain hazardous substances in electrical and electronic equipment is in conformity and accordance with the following standards and regulations:
- (DE) Der Hersteller erklärt eigenverantwortlich, dass dieses Produkt der Direktive 2011/65/EU des Europäischen Parlaments und des Rats vom 8. Juni 2011 über die Einschränkung der Anwendung von bestimmten gefährlichen Stoffen in elektrischen und elektronischen Geräten entspricht. den folgenden Standards und Vorschriften entspricht:
- (NL) Wij verklaren onder onze volledige verantwoordelijkheid dat dit product voldoet aan de conform Richtlijn 2011/65/EU van het Europees Parlement en de Raad van 8 juni 2011 betreffende beperking van het gebruik van bepaalde gevaarlijke stoffen in elektrische en elektronische apparatuur en in overeenstemming is met de volgende standaarden en reguleringen:
- (FR) Nous déclarons sous notre seule responsabilité que ce produit est conforme aux standards et directives suivants: est conforme à la Directive 2011/65/EU du Parlement Européen et du Conseil du 8 juin 2011 concernant la limitation d'usage de certaines substances dangereuses dans l'équipement électrique et électronique.
- (ES) Declaramos bajo nuestra exclusiva responsabilidad que este producto cumple con las siguientes normas y estándares de funcionamiento: se encuentra conforme con la Directiva 2011/65/UE del Parlamento Europeo y del Consejo de 8 de junio de 2011 sobre la restricción del uso de determinadas sustancias peligrosas en los equipos eléctricos y electrónicos.
- (IT) Dichiariamo, sotto la nostra responsabilità, che questo prodotto è conforme alle normative e ai regolamenti seguenti: è conforme alla Direttiva 2011/65/UE del Parlamento Europeo e del Consiglio dell'8 giugno 2011 sulla limitazione dell'uso di determinate sostanze pericolose nelle apparecchiature elettriche ed elettroniche.
- (SV) Vi garanterar på eget ansvar att denna produkt uppfyller och följer följande standarder och bestämmelser: uppfyller direktiv 2011/65/EU från Europeiska parlamentet och EG-rådet från den 8 juni 2011 om begränsningen av användning av farliga substanser i elektrisk och elektronisk utrustning.
- (DA) Vi erklærer under eget ansvar, at dette produkt er i overensstemmelse med følgende standarder og bestemmelser: er i overensstemmelse med direktiv 2011/65/EU fra Europa-Parlamentet og Rådet af 8. juni 2011 om begrænsning af anvendelsen af visse farlige stoffer i elektrisk og elektronisk udstyr.
- (PL) Deklarujemy na własną odpowiedzialność, że ten produkt spełnia wymogi zawarte w następujących normach i przepisach: jest zgodny z Dyrektywą 2011/65/UE Parlamentu Europejskiego i Rady z dnia 8 czerwca 2011 r. w sprawie ograniczenia stosowania niektórych niebezpiecznych substancji w sprzęcie elektrycznym i elektronicznym.
- (RO) Declărăm prin aceasta cu răspunderea deplină că produsul acesta este în conformitate cu următoarele standarde sau directive: este în conformitate cu Directiva 2011/65/UE a Parlamentului European și a Consiliului din 8 iunie 2011 cu privire la interzicerea utilizării anumitor substanțe periculoase la echipamentele electrice și electronice.
- (PT) Declaramos, sob nossa exclusiva responsabilidade, que este produto está em conformidade com a directiva 2011/65/UE do Parlamento Europeu e com a directiva do conselho de 8 de Junho sobre a restrição da utilização de determinadas substâncias perigosas em equipamento eléctrico e electrónico está em conformidade e de acordo com as seguintes normas e regulamentações:
- (HU) Kizárólagos felelősségünk tudatában kijelentjük, hogy a termék megfelel az Európai Parlamentnek és a Tanácsnak az egyes veszélyes anyagok elektromos és elektronikus berendezésekben való alkalmazásának korlátozásáról szóló 2011/65/EU irányelvének (VI.8.), valamint a következő szabványoknak és jogszabályoknak:
- (CS) Prohlašujeme na svou výhradní odpovědnost, že tento výrobek splňuje požadavky směrnice 2011/65/EU Evropské rady a parlamentu ze dne 8. června, která se týká omezení používání určitých nebezpečných látek v elektrických a elektronických zařízeních, a splňuje také všechny požadavky následujících norem a předpisů:

**EN 60745-1, EN 50580, EN 55014-1, EN 55014-2, EN 61000-3-2, EN 61000-3-3
2006/42/EC, 2014/30/EU, 2011/65/EU**

Zwolle, 01-04-2024

H.G.F Rosberg
CEO



VONROC®
BUILD YOUR FUTURE

©2024 VONROC
WWW.VONROC.COM

2404-11