



**VONROC®**

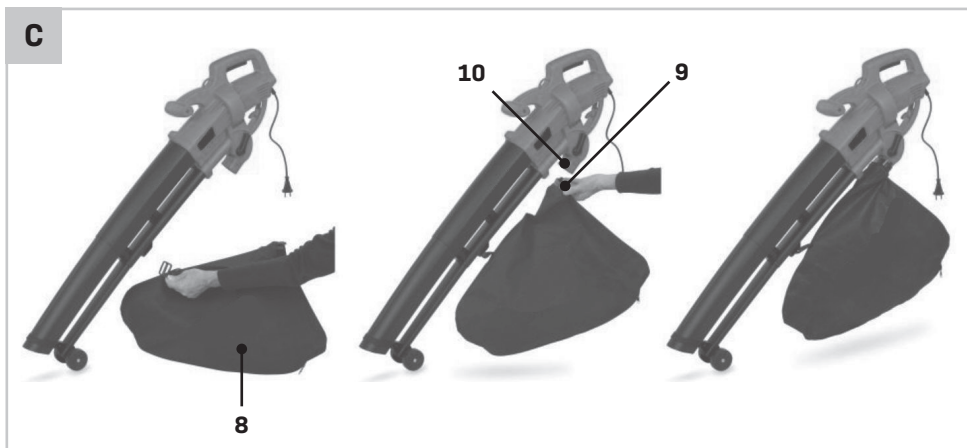
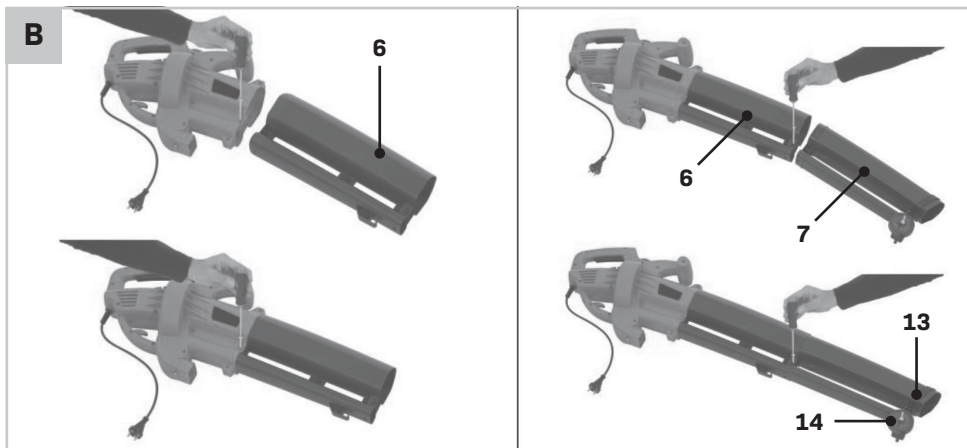
BUILD YOUR FUTURE

# LEAF BLOWER / LEAF VACUUM LB501AC



<b>EN</b>	Original Instructions	04
<b>DE</b>	Übersetzung Der Originalbetriebsanleitung	09
<b>NL</b>	Vertaling van de oorspronkelijke gebruiksaanwijzing	16
<b>FR</b>	Traduction de la notice originale	22
<b>ES</b>	Traducción del manual original	28
<b>IT</b>	Traduzione delle istruzioni originali	34
<b>SV</b>	Översättning av bruksanvisning i original	40
<b>DA</b>	Oversættelse af den originale brugsanvisning	46
<b>PL</b>	Tłumaczenie instrukcji oryginalnej	51
<b>RO</b>	Traducere a instrucțiunilor originale	58
<b>PT</b>	Tradução do manual original	64
<b>HU</b>	Az eredeti utasítások fordítása	70
<b>CS</b>	Překlad původního návodu	76





## 1. SAFETY INSTRUCTIONS

Read the enclosed safety warnings, the additional safety warnings and the instructions. Failure to follow the safety warnings and the instructions may result in electric shock, fire and/or serious injury. Save the safety warnings and the instructions for future reference.

The following symbols are used in the user manual or on the product:



*Read the user manual.*



*Denotes risk of personal injury, loss of life or damage to the tool in case of nonobservance of the instructions in this manual.*



*Risk of electric shock.*



*Risk of flying objects. Keep bystanders away from the work area.*



*Do not use in the rain or leave outdoors while it is raining.*



*Wear safety goggles.  
Wear hearing protection.*



*Warning: the fan is still rotating when open or close the cover, be careful, especially the inlet cover.*



*Immediately remove the mains plug from the mains if the mains cable becomes damaged and during cleaning and maintenance.*



*Class II machine - Double insulation - You don't need any earthed plug.*



*Do not dispose of the product in unsuitable containers.*



*The product is in accordance with the applicable safety standards in the European directives.*

## GENERAL POWER TOOL SAFETY WARNINGS



### **WARNING!**

**Read all safety warnings and all instructions.** Failure to follow the warnings and instructions may result in electric shock, fire and/or serious injury.

### **Save all warnings and instructions for future reference.**

The term "power tool" in the warnings refers to your mains-operated (corded) power tool or battery-operated (cordless) power tool.

#### **1) Work area safety**

- a) **Keep work area clean and well lit.** Cluttered or dark areas invite accidents.
- b) **Do not operate power tools in explosive atmospheres, such as in the presence of flammable liquids, gases or dust.** Power tools create sparks which may ignite the dust or fumes.
- c) **Keep children and bystanders away while operating a power tool.** Distractions can cause you to lose control.

#### **2) Electrical safety**

- a) **Power tool plugs must match the outlet. Never modify the plug in any way. Do not use any adapter plugs with earthed (grounded) power tools.** Unmodified plugs and matching outlets will reduce risk of electric shock.
- b) **Avoid body contact with earthed or grounded surfaces, such as pipes, radiators, ranges and refrigerators.** There is an increased risk of electric shock if your body is earthed or grounded.
- c) **Do not expose power tools to rain or wet conditions.** Water entering a power tool will increase the risk of electric shock.
- d) **Do not abuse the cord. Never use the cord for carrying, pulling or unplugging the power tool. Keep cord away from heat, oil, sharp edges or moving parts.** Damaged or entangled cords increase the risk of electric shock.
- e) **When operating a power tool outdoors, use an extension cord suitable for outdoor use.** Use of a cord suitable for outdoor use reduces the risk of electric shock.
- f) **If operating a power tool in a damp location is unavoidable, use a residual current device (RCD) protected supply.** Use of an RCD reduces the risk of electric shock.

### 3) Personal safety

- a) **Stay alert, watch what you are doing and use common sense when operating a power tool. Do not use a power tool while you are tired or under the influence of drugs, alcohol or medication.**

*A moment of inattention while operating power tools may result in serious personal injury.*

- b) **Use personal protective equipment. Always wear eye protection.** *Protective equipment such as dust mask, non-skid safety shoes, hard hat, or hearing protection used for appropriate conditions will reduce personal injuries.*

- c) **Prevent unintentional starting. Ensure the switch is in the off-position before connecting to power source and/or battery pack, picking up or carrying the tool.** *Carrying power tools with your finger on the switch or energising power tools that have the switch on invites accidents.*

- d) **Remove any adjusting key or wrench before turning the power tool on.** *A wrench or a key left attached to a rotating part of the power tool may result in personal injury.*

- e) **Do not overreach. Keep proper footing and balance at all times.** *This enables better control of the power tool in unexpected situations.*

- f) **Dress properly. Do not wear loose clothing or jewellery. Keep your hair, clothing and gloves away from moving parts.** *Loose clothes, jewellery or long hair can be caught in moving parts.*

- g) **If devices are provided for the connection of dust extraction and collection facilities, ensure these are connected and properly used.** *Use of dust collection can reduce dust related hazards.*

- h) **Do not let familiarity gained from frequent use of tools allow you to become complacent and ignore tool safety principles. A careless action can cause severe injury within a fraction of a second.**

### 4) Power tool use and care

- a) **Do not force the power tool. Use the correct power tool for your application.** *The correct power tool will do the job better and safer at the rate for which it was designed.*

- b) **Do not use the power tool if the switch does not turn it on and off.** *Any power tool that cannot be controlled with the switch is dangerous and must be repaired.*

- c) **Disconnect the plug from the power source and/or the battery pack from the power tool before making any adjustments, changing accessories, or storing power tools.** *Such preventive*

*safety measures reduce the risk of starting the power tool accidentally.*

- d) **Store idle power tools out of the reach of children and do not allow persons unfamiliar with the power tool or these instructions to operate the power tool.** *Power tools are dangerous in the hands of untrained users.*

- e) **Maintain power tools. Check for misalignment or binding of moving parts, breakage of parts and any other condition that may affect the power tool's operation. If damaged, have the power tool repaired before use.** *Many accidents are caused by poorly maintained power tools.*

- f) **Keep cutting tools sharp and clean.** *Properly maintained cutting tools with sharp cutting edges are less likely to bind and are easier to control.*

- g) **Use the power tool, accessories and tool bits etc. in accordance with these instructions, taking into account the working conditions and the work to be performed.** *Use of the power tool for operations different from those intended could result in a hazardous situation.*

- h) **Keep handles and grasping surfaces dry, clean and free from oil and grease.** *Slippery handles and grasping surfaces do not allow for safe handling and control of the tool in unexpected situations.*

### 5) Battery tool use and care

- a) **Recharge only with the charger specified by the manufacturer.** *A charger that is suitable for one type of battery pack may create a risk of fire when used with another battery pack.*

- b) **Use power tools only with specifically designed battery packs.** *Use of any other battery packs may create a risk of injury and fire.*

- c) **When battery pack is not in use, keep it away from other metal objects, like paper clips, coins, keys, nails, screws or other small metal objects that can make a connection from one terminal to another.** *Shorting the battery terminals together may cause burns or a fire.*

- d) **Under abusive conditions, liquid may be ejected from the battery; avoid contact. If contact accidentally occurs, flush with water. If liquid contacts eyes, additionally seek medical help.** *Liquid ejected from the battery may cause irritation or burns.*

- e) **Do not use a battery pack or tool that is damaged or modified.** *Damaged or modified batteries may exhibit unpredictable behaviour resulting in fire, explosion or risk of injury.*

- f) **Do not expose a battery pack or tool to fire or excessive temperature.** *Exposure to fire or temperature above 130 °C may cause explosion. NOTE The temperature „130 °C“ can be replaced by the temperature „265 °F“.*
- g) **Follow all charging instructions and do not charge the battery pack or tool outside the temperature range specified in the instructions.** *Charging improperly or at temperatures outside the specified range may damage the battery and increase the risk of fire.*
- 6) Service**
- a) **Have your power tool serviced by a qualified repair person using only identical replacement parts.** *This will ensure that the safety of the power tool is maintained.*
- b) **Never service damaged battery packs.** *Service of battery packs should only be performed by the manufacturer or authorized service providers.*

### **ADDITIONAL SAFETY WARNINGS FOR BLOWER/VACS**

- Dispose of plastic bags safely - they are a suffocation hazard for young children.
- Keep the area you are working in clean and tidy. Do not use power tools in the rain or wet environments.
- We strongly recommend the use of an RCD (Residual Current Device) of not more than 30 mA, at the plug socket when using this appliance.
- Do not use power tools where there is a risk of fire or explosion - i.e. near flammable liquids or gases.
- Do not allow people especially children or pets into the area where you are working.
- Do not let children or other people touch power tools.
- Store in a dry place well out of reach of children.
- Always use safety glasses. We also recommend the use of ear protectors.
- Wear the right clothes (long trousers) - not loose fitting or jewellery and ensure garments cannot come into contact with moving parts.
- Wear non-slip shoes. Do not wear sandals or open-toed shoes.
- If you have long hair, tie it back safely to avoid tangling it in moving parts.
- Before using any power tool, check first for damaged parts and if found do not use them before the part or parts have been replaced with new ones.
- Do not use power tools when you are tired or have been drinking alcohol.
- Do not overreach while working - you may lose your balance.
- You must switch off your tool at the tool's on/off switch after use.
- Only use this appliance for its intended purpose - blowing or sucking up leaves.
- Do not point the blower at people or animals.
- Do not blow debris in the direction of people or animals.
- Operate the appliance only in daylight or in a good artificial light.
- Do not place your hand inside the blower tube or bag until the blower has been switched off and the plug removed from the power supply.
- Only use extension leads that are suitable for outdoor use. The cord must be kept away from excessive heat, oil, solvents and sharp edges.
- Do not use the vacuum to remove liquids of any kind.
- Do not vacuum up hot or burning materials i.e. fire embers, matches, recently extinguished cigarette stubs.
- Never operate the vacuum without the bag securely fitted.
- Periodically check that all bolts and screws are tight.
- The operator or user is responsible for accidents or hazards occurring to other people or their property.
- To prevent dust irritation we recommend the wearing of a face mask.
- Always direct the cable to the rear away from the appliance.
- Do not carry the appliance by the cable.
- Disconnect the appliance from the mains supply
- Before clearing a blockage.
- Before checking, cleaning or maintaining the appliance.
- If the appliance starts to vibrate abnormally.
- Whenever you leave the machine.
- Always be sure of your footing on slopes.
- Walk, never run.
- Keep all cooling air inlets clear of debris or obstructions.
- Keep all nuts, bolts and screws tight to be sure the appliance is in safe working condition.
- Check the debris collector frequently for wear or deterioration.
- Replace worn or damaged parts.

- Use only genuine replacement parts and accessories.

Immediately switch off the machine when:

- Excessive sparking of the carbon brushes and clutter in the collector.
- Interruption of the mains plug, mains lead or mains lead damage.
- Defect switch.
- Smoke or stench of scorched isolation.

### Electrical safety



*Always check that the voltage of the power supply corresponds to the voltage on the rating plate label.*

- Do not use the machine if the mains cable or the mains plug is damaged.
- Only use extension cables that are suitable for the power rating of the machine with a minimum thickness of 1.5 mm<sup>2</sup>. If you use an extension cable reel, always fully unroll the cable.

## 2. MACHINE INFORMATION

### Intended use

The leaf blowers are developed to remove leaves from the street, garden and lawn. A fan inside the leaf blower causes a flow of air, which can be used to blow leaves away or to vacuum the leaves into the collection bag.

### TECHNICAL SPECIFICATIONS

Model No.	LB501AC
Voltage	230-240V 50Hz
Input power	3300 W
No load speed	14000 rpm
Max. blower velocity	270 km/h
Max air volume	13.2 m <sup>3</sup> /min
Shredding ratio	10:1
Blower bag capacity	35 L
Weight	3.0 kg
Sound pressure level (Lpa)	84.1dB(A), K=3dB(A)
Acoustic power level (Lwa)	95.8dB(A), K=2.21 dB(A)
Vibration	7.490m/s <sup>2</sup> , k=1.5m/s <sup>2</sup>

### Vibration level

The vibration emission level stated in this instruction manual has been measured in accordance with a standardized test given in EN60745; it may be used to compare one tool with another and as a preliminary assessment of exposure to vibration when using the tool for the applications mentioned.

- Using the tool for different applications, or with different or poorly maintained accessories, may significantly increase the exposure level.
- The times when the tool is switched off or when it is running but not actually doing the job, may significantly reduce the exposure level.

Protect yourself against the effects of vibration by maintaining the tool and its accessories, keeping your hands warm, and organizing your work patterns.

### DESCRIPTION

The numbers in the text refer to the diagrams on pages 2-3.

1. Main handle
2. Auxiliary handle
3. Power cord
4. Cable hook
5. On/off switch
6. Upper tube
7. Lower tube
8. Vacuum bag
9. Vacuum bag inlet tube
10. Leaf bag securing clip
11. Blow/vacuum option lever
12. Carrying belt hook
13. Wheel holder
14. Wheels
15. Carrying belt

## 3. ASSEMBLY



*Before assembly, always switch off the machine and remove the mains plug from the mains.*

### Assembling the tubes (Fig. A, B)

- Screw the upper tube (6) onto the motor housing.
- Screw the lower tube section (7) onto the upper tube (6).
- Mount the included wheel holder (13) by sliding it onto the lower tube section (7) until the

foreseen stop on the lower tube (7). Screw the mounting screw until the wheel holder (13) is tight securely.

- Screw the wheels (14) onto the wheel holder (13).

#### Shoulder strap (Fig. A)

Attach the Carrying belt (15) to the Shoulder strap hook (12) on the handle. To adjust the shoulder strap to the required length, simply slide the adjustable strap buckle forward or backwards.

#### Attach the collection bag (Fig. A, C)



*Always use the collection bag (8) when using vacuum mode.*

Attach the hook to the upperpart of the housing (9). Slide the open end of the collection bag over the tube (9) and connect it to the housing. Attach the hook to the lower part of the housing.



*Always check the vacuum bag for signs of damage before each use. Small, sharp objects can be sucked up and if the bag is damaged or worn the objects might be thrown in your direction or the direction of others. This could lead to serious injury so please check. If your bag is damaged or badly worn please replace it with a new one.*

## 4. OPERATION

#### Operation (Fig. A)

Plug in your appliance at the mains (or extension lead) and when you are ready and well balanced, press the ON/OFF button (5) and it will start. Press again to turn it off.

Note: We recommend the use of a heavy-duty outdoor extension cable.

Alter the harness length so that you can stand up straight and allow the blower to rest on its wheels when in use. This will lighten the load across your shoulders and back. Use in a forward and backward direction, not side to side.

#### Changing operation mode (Fig. A)

When you want to change from one mode to another, simply pull the option lever (11) to suit your requirement. Turn it clockwise to blower mode and

anti-clockwise to vacuum mode (remember to fit the bag if you want vacuum mode).

## 5. MAINTENANCE



*Before cleaning and maintenance, always switch off the machine and remove the mains plug from the mains.*

Clean the machine casings regularly with a soft cloth, preferably after each use. Make sure that the ventilation openings are free of dust and dirt. Remove very persistent dirt using a soft cloth moistened with soapsuds. Do not use any solvents such as gasoline, alcohol, ammonia, etc. Chemicals such as these will damage the synthetic components.

## ENVIRONMENT



*Faulty and/or discarded electrical or electronic apparatus have to be collected at the appropriate recycling locations.*

#### Only for EC countries

Do not dispose of power tools into domestic waste. According to the European Guideline 2012/19/EC for Waste Electrical and Electronic Equipment and its implementation into national right, power tools that are no longer usable must be collected separately and disposed of in an environmentally friendly way.

## WARRANTY

VONROC products are developed to the highest quality standards and are guaranteed free of defects in both materials and workmanship for the period lawfully stipulated starting from the date of original purchase. Should the product develop any failure during this period due to defective material and/or workmanship then contact VONROC directly.

The following circumstances are excluded from this guarantee:

- Repairs and/or alterations have been made or attempted to the machine by unauthorized service centers;
- Normal wear and tear;
- The tool has been abused, misused or improperly maintained;
- Non-original spare parts have been used.



This constitutes the sole warranty made by company either expressed or implied. There are no other warranties expressed or implied which extend beyond the face hereof, herein, including the implied warranties of merchantability and fitness for a particular purpose. In no event shall VONROC be liable for any incidental or consequential damages. The dealers remedies shall be limited to repair or replacement of nonconforming units or parts.

**The product and the user manual are subject to change. Specifications can be changed without further notice.**

## 1. SICHERHEITSANWEISUNGEN

Lesen Sie die beiliegenden Sicherheitsanweisungen, die zusätzlichen Sicherheitsanweisungen sowie diese Bedienungsanleitung sorgfältig durch. Bei Nichtbeachten der Sicherheitsanweisungen und der Bedienungsanleitung kann es zu einem Stromschlag, einem Brand und/oder schweren Verletzungen kommen. Bewahren Sie die Sicherheitsanweisungen und die Bedienungsanleitung zur künftigen Bezugnahme sicher auf.

Folgende Symbole werden im Benutzerhandbuch oder auf dem Produkt verwendet:



*Benutzerhandbuch/Bedienungsanleitung lesen.*



*Lebens- und Verletzungsgefahr und Gefahr von Beschädigungen am Werkzeug/Gerät bei Nichteinhaltung der Anweisungen in dieser Bedienungsanleitung.*



*Gefahr eines Stromschlags.*



*Gefahr von herumfliegenden Gegenständen. Halten Sie Unbeteiligte vom Arbeitsbereich fern.*



*Nicht im Regen verwenden oder bei Regen im Freien lassen.*



*Tragen Sie eine Schutzbrille.  
Tragen Sie einen Gehörschutz.*



*Warnung: Der Lüfter kann sich noch weiterdrehen, wenn die Abdeckung geöffnet oder geschlossen wird; seien Sie daher insbesondere an der Einlassabdeckung vorsichtig.*



*Ziehen Sie sofort den Netzstecker aus der Steckdose, falls das Netzkabel beschädigt wird sowie bei der Reinigung und Wartung.*



*Werkzeug/Gerät der Schutzklasse II - geschützt - kein Schutzkontaktanschluss erforderlich.*



Produkt vorschriftsmäßig entsorgen, nicht über den Hausmüll.



Das Produkt entspricht den geltenden Sicherheitsnormen der europäischen Richtlinien.

## ALLGEMEINE SICHERHEITSHINWEISE



**WARNUNG Lesen Sie alle Sicherheitshinweise, Anweisungen, Bilderungen und technischen Daten, mit denen dieses Elektrowerkzeug versehen ist. Versäumnisse bei der Einhaltung der nachfolgenden Anweisungen können elektrischen Schlag, Brand und/oder schwere Verletzungen verursachen.**

### Bewahren Sie alle Sicherheitshinweise und Anweisungen für die Zukunft auf.

Der in den Sicherheitshinweisen verwendete Begriff „Elektrowerkzeug“ bezieht sich auf netzbetriebene Elektrowerkzeuge (mit Netzleitung) oder auf akkubetriebene Elektrowerkzeuge (ohne Netzleitung).

#### 1) Arbeitsplatzsicherheit

- a) **Halten Sie Ihren Arbeitsbereich sauber und gut beleuchtet.** Unordnung oder unbeleuchtete Arbeitsbereiche können zu Unfällen führen.
- b) **Arbeiten Sie mit dem Elektrowerkzeug nicht in explosionsgefährdeter Umgebung, in der sich brennbare Flüssigkeiten, Gase oder Stäube befinden.** Elektrowerkzeuge erzeugen Funken, die den Staub oder die Dämpfe entzünden können.
- c) **Halten Sie Kinder und andere Personen während der Benutzung des Elektrowerkzeugs fern.** Bei Ablenkung können Sie die Kontrolle über das Elektrowerkzeug verlieren.

#### 2) Elektrische Sicherheit

- a) **Der Anschlussstecker des Elektrowerkzeugs muss in die Steckdose passen. Der Stecker darf in keiner Weise verändert werden. Verwenden Sie keine Adapterstecker gemeinsam mit schutzgeerdeten Elektrowerkzeugen.** Unveränderte Stecker und passende Steckdosen verringern das Risiko eines elektrischen Schlages.
- b) **Vermeiden Sie Körperkontakt mit geerdeten Oberflächen wie von Rohren, Heizungen, Herden und Kühlschränken.** Es besteht ein erhöhtes Risiko durch elektrischen Schlag, wenn

Ihr Körper geerdet ist.

- c) **Halten Sie Elektrowerkzeuge von Regen oder Nässe fern.** Das Eindringen von Wasser in ein Elektrowerkzeug erhöht das Risiko eines elektrischen Schlages.
  - d) **Zweckentfremden Sie die Anschlussleitung nicht, um das Elektrowerkzeug zu tragen, aufzuhängen oder um den Stecker aus der Steckdose zu ziehen. Halten Sie die Anschlussleitung fern von Hitze, Öl, scharfen Kanten oder sich bewegenden Teilen.** Beschädigte oder verwickelte Anschlussleitungen erhöhen das Risiko eines elektrischen Schlages.
  - e) **Wenn Sie mit einem Elektrowerkzeug im Freien arbeiten, verwenden Sie nur Verlängerungsleitungen, die auch für den Außenbereich geeignet sind.** Die Anwendung einer für den Außenbereich geeigneten Verlängerungsleitung verringert das Risiko eines elektrischen Schlages.
  - f) **Wenn der Betrieb des Elektrowerkzeugs in feuchter Umgebung nicht vermeidbar ist, verwenden Sie einen Fehlerstromschutzschalter.** Der Einsatz eines Fehlerstromschutzschalters vermindert das Risiko eines elektrischen Schlages.
- #### 3) Sicherheit von Personen
- a) **Seien Sie aufmerksam, achten Sie darauf, was Sie tun, und gehen Sie mit Vernunft an die Arbeit mit einem Elektrowerkzeug. Benutzen Sie kein Elektrowerkzeug, wenn Sie müde sind oder unter dem Einfluss von Drogen, Alkohol oder Medikamenten stehen.** Ein Moment der Unachtsamkeit beim Gebrauch des Elektrowerkzeugs kann zu ernsthaften Verletzungen führen.
  - b) **Tragen Sie persönliche Schutzausrüstung und immer eine Schutzbrille.** Das Tragen persönlicher Schutzausrüstung, wie Staubmaske, rutschfeste Sicherheitsschuhe, Schutzhelm oder Gehörschutz, je nach Art und Einsatz des Elektrowerkzeugs, verringert das Risiko von Verletzungen.
  - c) **Vermeiden Sie eine unbeabsichtigte Inbetriebnahme. Vergewissern Sie sich, dass das Elektrowerkzeug ausgeschaltet ist, bevor Sie es an die Stromversorgung und/oder den Akku anschließen, es aufnehmen oder tragen.** Wenn Sie beim Tragen des Elektrowerkzeugs den Finger am Schalter haben oder das Elektrowerkzeug eingeschaltet an die Stromversorgung anschließen, kann dies zu Unfällen führen.
  - d) **Entfernen Sie Einstellwerkzeuge oder Schrau-**

**benschlüssel, bevor Sie das Elektrowerkzeug einschalten.** Ein Werkzeug oder Schlüssel, der sich in einem drehenden Teil des Elektrowerkzeugs befindet, kann zu Verletzungen führen.

- e) **Vermeiden Sie eine abnormale Körperhaltung. Sorgen Sie für einen sicheren Stand und halten Sie jederzeit das Gleichgewicht.** Dadurch können Sie das Elektrowerkzeug in unerwarteten Situationen besser kontrollieren.
  - f) **Tragen Sie geeignete Kleidung. Tragen Sie keine weite Kleidung oder Schmuck. Halten Sie Haare und Kleidung fern von sich bewegenden Teilen.** Lockere Kleidung, Schmuck oder lange Haare können von sich bewegenden Teilen erfasst werden.
  - g) **Wenn Staubabsaug- und -auffangeinrichtungen montiert werden können, sind diese anzuschließen und richtig zu verwenden.** Verwendung einer Staubabsaugung kann Gefährdungen durch Staub verringern.
  - h) **Wiegen Sie sich nicht in falscher Sicherheit und setzen Sie sich nicht über die Sicherheitsregeln für Elektrowerkzeuge hinweg, auch wenn Sie nach vielfachem Gebrauch mit dem Elektrowerkzeug vertraut sind.** Achtloses Handeln kann binnen Sekundenbruchteilen zu schweren Verletzungen führen.
- 4) Verwendung und Behandlung des Elektrowerkzeugs**
- a) **Überlasten Sie das Elektrowerkzeug nicht. Verwenden Sie für Ihre Arbeit das dafür bestimmte Elektrowerkzeug.** Mit dem passenden Elektrowerkzeug arbeiten Sie besser und sicherer im angegebenen Leistungsbereich.
  - b) **Benutzen Sie kein Elektrowerkzeug, dessen Schalter defekt ist.** Ein Elektrowerkzeug, das sich nicht mehr ein- oder ausschalten lässt, ist gefährlich und muss repariert werden.
  - c) **Ziehen Sie den Stecker aus der Steckdose und/oder entfernen Sie einen abnehmbaren Akku, bevor Sie Geräteeinstellungen vornehmen, Einsatzwerkzeugteile wechseln oder das Elektrowerkzeug weglegen.** Diese Vorsichtsmaßnahme verhindert den unbeabsichtigten Start des Elektrowerkzeugs.
  - d) **Bewahren Sie unbenutzte Elektrowerkzeuge außerhalb der Reichweite von Kindern auf. Lassen Sie keine Personen das Elektrowerkzeug benutzen, die mit diesem nicht vertraut sind oder diese Anweisungen nicht gelesen haben.**

Elektrowerkzeuge sind gefährlich, wenn sie von unerfahrenen Personen benutzt werden.

- e) **Pflegen Sie Elektrowerkzeuge und Einsatzwerkzeug mit Sorgfalt. Kontrollieren Sie, ob bewegliche Teile einwandfrei funktionieren und nicht klemmen, ob Teile gebrochen oder so beschädigt sind, dass die Funktion des Elektrowerkzeugs beeinträchtigt ist. Lassen Sie beschädigte Teile vor dem Einsatz des Elektrowerkzeugs reparieren.** Viele Unfälle haben ihre Ursache in schlecht gewarteten Elektrowerkzeugen.
  - f) **Halten Sie Schneidwerkzeuge scharf und sauber.** Sorgfältig gepflegte Schneidwerkzeuge mit scharfen Schneidkanten verklemmen sich weniger und sind leichter zu führen.
  - g) **Verwenden Sie Elektrowerkzeug, Zubehör, Einsatzwerkzeuge usw. entsprechend diesen Anweisungen. Berücksichtigen Sie dabei die Arbeitsbedingungen und die auszuführende Tätigkeit.** Der Gebrauch von Elektrowerkzeugen für andere als die vorgesehenen Anwendungen kann zu gefährlichen Situationen führen.
  - h) **Halten Sie Griffe und Griffflächen trocken, sauber und frei von Öl und Fett.** Rutschige Griffe und Griffflächen erlauben keine sichere Bedienung und Kontrolle des Elektrowerkzeugs in unvorhergesehenen Situationen.
- 5) Verwendung und Behandlung des Akkuwerkzeugs**
- a) **Laden Sie die Akkus nur mit Ladegeräten auf, die vom Hersteller empfohlen werden.** Durch ein Ladegerät, das für eine bestimmte Art von Akkus geeignet ist, besteht Brandgefahr, wenn es mit anderen Akkus verwendet wird.
  - b) **Verwenden Sie nur die dafür vorgesehenen Akkus in den Elektrowerkzeugen.** Der Gebrauch von anderen Akkus kann zu Verletzungen und Brandgefahr führen.
  - c) **Halten Sie den nicht benutzten Akku fern von Büroklammern, Münzen, Schlüsseln, Nägeln, Schrauben oder anderen kleinen Metallgegenständen, die eine Überbrückung der Kontakte verursachen könnten.** Ein Kurzschluss zwischen den Akkukontakten kann Verbrennungen oder Feuer zur Folge haben.
  - d) **Bei falscher Anwendung kann Flüssigkeit aus dem Akku austreten. Vermeiden Sie den Kontakt damit. Bei zufälligem Kontakt mit Wasser abspülen. Wenn die Flüssigkeit in die Augen**

**kommt, nehmen Sie zusätzlich ärztliche Hilfe in Anspruch.** Austretende Akkufflüssigkeit kann zu Hautreizungen oder Verbrennungen führen.

- e) **Benutzen Sie keinen beschädigten oder veränderten Akku.** Beschädigte oder veränderte Akkus können sich unvorhersehbar verhalten und zu Feuer, Explosion oder Verletzungsgefahr führen.
- f) **Setzen Sie einen Akku keinem Feuer oder zu hohen Temperaturen aus.** Feuer oder Temperaturen über 130 °C können eine Explosion hervorrufen.
- g) **Befolgen Sie alle Anweisungen zum Laden und laden Sie den Akku oder das Akkuwerkzeug niemals außerhalb des in der Betriebsanleitung angegebenen Temperaturbereichs.** Falsches Laden oder Laden außerhalb des zugelassenen Temperaturbereichs kann den Akku zerstören und die Brandgefahr erhöhen.

## 6) Service

- a) **Lassen Sie Ihr Elektrowerkzeug nur von qualifiziertem Fachpersonal und nur mit Original-Ersatzteilen reparieren.** Damit wird sichergestellt, dass die Sicherheit des Elektrowerkzeugs erhalten bleibt.
- b) **Warten Sie niemals beschädigte Akkus.** Sämtliche Wartung von Akkus sollte nur durch den Hersteller oder bevollmächtigte Kundendienststellen erfolgen.

## ZUSÄTZLICHE SICHERHEITSHINWEISE FÜR LAUBBLÄSER/- SAUGER

- Kunststoffbeutel sicher entsorgen - sie stellen für kleine Kinder ein Erstickenrisiko dar.
- Halten Sie Ihren Arbeitsbereich sauber und ordentlich.
- Benutzen Sie Elektrowerkzeuge nicht im Regen oder in feuchten Umgebungen.
- Wir empfehlen beim Gebrauch dieses Geräts dringend die Benutzung einer Fehlerstrom-Schutzeinrichtung (RCD - Residual Current Device) von nicht mehr als 30 mA in der Steckdose.
- Benutzen Sie Elektrowerkzeuge nicht an Stellen mit Brand- oder Explosionsgefahr - d.h. in der Nähe von entzündbaren Flüssigkeiten oder Gasen.
- Halten Sie andere Personen, insbesondere Kinder, oder Tiere aus Ihrem Arbeitsbereich fern.
- Lassen Sie Elektrowerkzeuge nicht von Kindern oder anderen Personen berühren.
- Gerät an einer trockenen, für Kinder nicht erreichbaren Stelle aufbewahren.
- Tragen Sie immer eine Schutzbrille. Wir empfehlen auch den Gebrauch von Gehörschützern.
- Tragen Sie die richtige Kleidung (lange Hose) - keine losen Teile oder Schmuckstücke - und stellen Sie sicher, dass Kleidungsstücke nicht mit sich bewegenden Teilen in Berührung kommen können.
- Tragen Sie rutschfeste Schuhe. Tragen Sie keine Sandalen oder vorne offene Schuhe.
- Wenn Sie langes Haar tragen, binden Sie es nach hinten zurück, damit es nicht in sich bewegende Teile gerät.
- Kontrollieren Sie jedes Elektrowerkzeug vor Benutzung zuerst auf beschädigte Teile und benutzen Sie es, falls solche Teile gefunden werden, nicht, bevor das (die) betreffende(n) Teil(e) durch neue Teile ersetzt wurde(n).
- Benutzen Sie Elektrowerkzeuge nicht, wenn Sie müde sind oder Alkohol zu sich genommen haben.
- Lehnen Sie sich bei der Arbeit nicht zu weit hinüber - Sie könnten das Gleichgewicht verlieren.
- Nach Gebrauch müssen Sie Ihr Gerät mit Hilfe des Ein/Aus-Schalters ausschalten.
- Benutzen Sie dieses Gerät nur für den vorgesehenen Verwendungszweck - das Wegblasen oder Einsaugen von Blättern.
- Richten Sie die Spitze des Laubsaugers nicht auf Menschen oder Tiere.
- Blasen Sie keine Abfälle in Richtung von Menschen oder Tieren.
- Benutzen Sie das Gerät nur bei Tageslicht oder gutem künstlichem Licht.
- Greifen Sie mit der Hand nicht in das Blasrohr oder den Beutel, bevor der Laubsauger ausgeschaltet und der Stecker aus der Steckdose gezogen wurde.
- Benutzen Sie nur Verlängerungskabel, die für den Gebrauch im Freien geeignet sind. Das Kabel muss von übermäßiger Hitze, von Öl, Lösungsmitteln und scharfen Kanten ferngehalten werden.
- Saugen Sie mit dem Gerät keinerlei Flüssigkeiten auf.
- Saugen Sie kein heißes oder brennendes Material auf, d.h. keine Glutasche, Streichhölzer, vor kurzem ausgelöschte Zigarettenstummel.
- Betätigen Sie den Laubsauger nie, wenn der Beutel nicht sicher befestigt ist.
- Überprüfen Sie in periodischen Abständen, ob alle Bolzen und Schrauben fest angezogen sind.
- Der Bediener oder Benutzer ist für Unfälle oder Gefahrensituationen verantwortlich, denen andere Personen oder deren Eigentum ausgesetzt

werden.

- Um Reizungen durch Staub zu vermeiden, empfehlen wir das Tragen einer Gesichtsmaske.
- Halten Sie das Kabel auf der Rückseite immer von dem Gerät fern.
- Tragen Sie das Gerät nicht am Kabel.
- Trennen Sie das Gerät vom Stromnetz.
- Vor Beseitigung einer Verstopfung.
- Vor Überprüfung, Reinigung oder Wartung des Geräts.
- Wenn das Gerät übermäßig zu vibrieren beginnt.
- Wenn Sie das Gerät zurücklassen.
- Verschaffen Sie sich an Hängen stets guten Halt.
- Mit dem Gerät nur gehen, niemals laufen.
- Halten Sie alle Kühllufteintritte frei von Abfällen oder Verstopfungen.
- Halten Sie alle Muttern, Bolzen und Schrauben fest angezogen, damit ein sicheres Arbeiten mit dem Gerät gewährleistet ist.
- Überprüfen Sie den Abfallsammler häufiger auf Verschleiß oder Beschädigung.
- Erneuern Sie abgenutzte oder beschädigte Teile.
- Verwenden Sie nur Original-Ersatzteile und -Zubehör.

Das Gerät sofort ausschalten bei:

- Übermäßigen Funken der Kohlebürsten und Ringfeuer im Kollektor.
- Störung im Netzstecker, dem Netzkabel oder Schnurbeschädigung.
- Defektem Schalter.
- Rauch oder Gestank verschmorter Isolation.

**Sicherheit bei Elektrizität**



*Achten Sie stets darauf, dass die Spannung der Stromversorgung mit der Spannung auf dem Typenschild übereinstimmt.*

- Verwenden Sie die Maschine nicht, wenn das Netzkabel oder der Netzstecker beschädigt ist.
- Verwenden Sie nur Verlängerungskabel, die für die Leistungsaufnahme der Maschine geeignet sind und eine Mindestaderstärke von 1,5 mm<sup>2</sup> haben. Falls Sie eine Kabeltrommel verwenden, rollen Sie das Kabel immer vollständig ab.

**2. ANGABEN ZUM WERKZEUG**

**Einführung**

Die Laubsauger wurden entwickelt, um Blätter von Straße, Garten und Rasen zu entfernen. Ein Gebläse im Innern des Laubsaugers erzeugt einen Luftstrom, der benutzt werden kann, um Blätter wegzublasen oder die Blätter in den Sammelbeutel einzusaugen.

**TECHNISCHE DATEN**

Modellnummer	LB501AC
Spannung	230-240V 50Hz
Leistungsaufnahme	3300 W
Leerlaufdrehzahl	14000 rpm
Max. Gebläsegeschwindigkeit	270 km/h
Maximales Luftvolumen	13,2 m <sup>3</sup> /min
Zerkleinerungsrate Fassungsvermögen	10:1
Sammelbeutel	35 L
Gewicht	3,0 kg
Schalldruckpegel (Lpa)	84,1dB(A), K=3dB(A)
Schalleistungspegel (Lwa)	95,8dB(A), K=2,21 dB(A)
Schwingung	7,490m/s <sup>2</sup> , k=1,5m/s <sup>2</sup>

**Vibrationsstufe**

Die im dieser Bedienungsanleitung angegebene Vibrationsemissionsstufe wurde mit einem standardisierten Test gemäß EN60745 gemessen; Sie kann verwendet werden, um ein Werkzeug mit einem anderen zu vergleichen und als vorläufige Beurteilung der Vibrationsexposition bei Verwendung des Werkzeugs für die angegebenen Anwendungszwecke.

- die Verwendung des Werkzeugs für andere Anwendungen oder mit anderem oder schlecht gewartetem Zubehör kann die Expositionsstufe erheblich erhöhen.
- Zeiten, zu denen das Werkzeug ausgeschaltet ist, oder wenn es läuft aber eigentlich nicht eingesetzt wird, können die Expositionsstufe erheblich verringern.

Schützen Sie sich vor den Auswirkungen der Vibration durch Wartung des Werkzeugs und des Zubehörs, halten Sie Ihre Hände warm und organisieren Sie Ihren Arbeitsablauf.

## BESCHREIBUNG

Die Buchstaben und Ziffern im folgenden Text verweisen auf die Abbildungen auf den Seiten 2 bis 3.

1. Hauptgriff
2. Zusatzgriff
3. Stromkabel
4. Kabelhaken
5. Ein-/Ausschalter
6. Oberes Rohr
7. Unteres Rohr
8. Sammelbeutel
9. Einlassrohr für Sammelbeutel
10. Sammelbeutel-Sicherungsklammer
11. Hebel zur Auswahl der Blas-/Saugfunktion
12. Schultergurthaken
13. Radhalter
14. Räder
15. Schultergurt

## 3. MONTAGE



Schalten Sie die Maschine vor der Montage aus und ziehen Sie den Netzstecker aus der Steckdose.

### Montage der Rohre (Abb. A, B)

- Schrauben Sie das obere Rohr (6) an das Motorgehäuse.
- Schrauben Sie den unteren Rohrabschnitt (7) an das obere Rohr (6).
- Montieren Sie den mitgelieferten Radhalter (13), indem Sie ihn bis zum Anschlag am unteren Rohr (7) auf den unteren Rohrabschnitt (7) schieben. Ziehen Sie die Befestigungsschraube an, bis der Radhalter (13) fest sitzt.
- Schrauben Sie die Räder (14) an den Radhalter (13).

### Schultergurt (Abb. A)

Befestigen Sie den Schultergurt (15) an dem Schultergurthaken (12), der sich am Griff befindet. Um den Schultergurt auf die gewünschte Länge einzustellen, schieben Sie einfach die Gurtschnalle nach vorne oder hinten.

### Anbringen des Sammelbeutels (Abb. A, C)



Bringen Sie immer den Sammelbeutel (8) an, wenn Sie den Saugmodus verwenden.

Befestigen Sie den Haken am oberen Teil des Gehäuses (9). Schieben Sie das offene Ende des Sammelbeutels über das Rohr (9) und verbinden Sie es mit dem Gehäuse. Befestigen Sie den Haken am unteren Teil des Gehäuses.



Überprüfen Sie den Sammelbeutel vor jedem Gebrauch auf Anzeichen von Beschädigungen. Es könnten kleine, scharfe Gegenstände aufgesaugt werden, und wenn der Sammelbeutel beschädigt oder verschlissen ist, können diese Gegenstände in Ihre Richtung oder in die Richtung anderer Personen ausgeworfen werden. Dies kann zu ernsthaften Verletzungen führen. Wenn der Sammelbeutel beschädigt oder stark verschlissen ist, muss er ersetzt werden.

## 4. BETRIEB

### Bedienung (Abb. A)

Verbinden Sie das Gerätekabel (oder das Verlängerungskabel) mit einer Steckdose. Wenn Sie bereit sind und einen sicheren Stand eingenommen haben, drücken Sie zum Starten die EIN/AUS-Taste (5). Zum Ausschalten müssen Sie diese Taste erneut drücken.

Hinweis: Wir empfehlen die Verwendung eines robusten Verlängerungskabels, das für den Außenbereich zugelassen ist.

Passen Sie die Gurtlänge so an, dass Sie aufrecht stehen und der Laubbläser während des Gebrauchs auf seinen Rädern ruhen kann. Dadurch belasten Sie Schultern und Rücken weniger. Verwenden Sie das Gerät mit Vorwärts- und Rückwärtsbewegungen, nicht mit Seitwärtsbewegungen.

### Ändern des Betriebsmodus (Abb. A)

Wenn Sie den Betriebsmodus ändern möchten, ziehen Sie einfach den Auswahlhebel (11) in die gewünschte Position. Drehen Sie ihn im Uhrzeigersinn, um den Gebläsemodus zu aktivieren, und gegen den Uhrzeigersinn, um den Saugmodus einzustellen.

## 5. WARTUNG



*Sie die Maschine vor der Reinigung und Wartung immer aus und ziehen Sie den Netzstecker aus der Steckdose.*

Reinigen Sie das Werkzeuggehäuse regelmäßig mit einem weichen Lappen, vorzugsweise nach jeder Verwendung. Stellen Sie sicher, dass die Lüftungsöffnungen frei von Staub und Schmutz sind. Entfernen Sie anhaftenden Schmutz mit einem weichen Lappen, der leicht mit Seifenwasser befeuchtet wurde. Verwenden Sie keine Lösungsmittel wie Benzin, Alkohol, Ammoniak usw., da Chemikalien dieser Art die Kunststoffteile beschädigen.

## UMWELTSCHUTZ



*Schadhafte und/oder zu entsorgende elektrische oder elektronische Werkzeuge und Geräte müssen an den dafür vorgesehenen Recycling-Stellen abgegeben werden.*

### Nur für EG-Länder

Entsorgen Sie Elektrowerkzeuge nicht über den Hausmüll. Entsprechend der EU-Richtlinie 2012/19/EG über Elektro- und Elektronik-Altgeräte sowie der Umsetzung in nationales Recht müssen Elektrowerkzeuge, die nicht mehr im Gebrauch sind, getrennt gesammelt und umweltschonend entsorgt werden.

## GARANTIE

VONROC-Produkte werden nach den höchsten Qualitätsstandards entwickelt und sind für den gesetzlich festgelegten Zeitraum, ausgehend von dem ursprünglichen Kaufdatum, garantiert frei von Fehlern in Material und Ausführung. Sollte das Produkt in diesem Zeitraum aufgrund von Material- und/oder Verarbeitungsmängeln Fehler aufweisen, wenden Sie sich bitte direkt an VONROC Kundendienst.

Folgende Umstände sind von der Garantie ausgeschlossen:

- Reparaturen und oder Änderungen an der Maschine, die durch nicht-autorisierte Servicestellen vorgenommen oder versucht wurden.
- Normale Abnutzung und Verschleiß.
- Das Werkzeug wurde übermäßig beansprucht, missbräuchlich verwendet oder falsch gewartet.

- Es wurden keine Original-Ersatzteile verwendet.

Dies stellt die einzige Gewährleistung des Unternehmens dar, sowohl ausdrücklich als auch implizit. Es gibt keine anderen ausdrücklichen oder stillschweigenden Garantien, die über das hier Genannte hinausgehen, einschließlich der stillschweigenden Garantien der Marktgängigkeit oder Eignung für einen bestimmten Zweck. In keinem Fall ist VONROC haftbar für Neben- oder Folgeschäden. Die Rechtsmittel des Händlers beschränken sich auf Reparatur oder Ersatz fehlerhafter Einheiten oder Teile.

**Am Produkt und am Benutzerhandbuch können Änderungen vorgenommen werden. Die technischen Daten können sich ohne Vorankündigung ändern.**

## 1. VEILIGHEIDSVOORSCHRIFTEN

Lees de bijgesloten veiligheidswaarschuwingen, de aanvullende veiligheidswaarschuwingen en de instructies. Het niet opvolgen van de veiligheidswaarschuwingen kan elektrische schokken, brand en/of ernstig letsel tot gevolg hebben. Bewaar de veiligheidswaarschuwingen en instructies als naslagwerk voor later.

De volgende symbolen worden gebruikt in de gebruikershandleiding of op het product:



Lees de gebruikershandleiding.



Gevaar voor lichamelijk letsel, overlijden of schade aan de machine wanneer de instructies in deze handleiding niet worden opgevolgd.



Gevaar voor elektrische schokken.



Gevaar voor rondvliegende voorwerpen. Houd omstanders uit de buurt van het werkgebied.



Niet gebruiken in de regen of buiten laten als het regent.



Draag een veiligheidsbril.  
Draag gehoorbescherming.



Waarschuwing: de ventilator draait nog steeds wanneer u de klep opent of sluit, wees voorzichtig, vooral bij de klep van de inlaat.



Verwijder onmiddellijk de netstekker uit het stopcontact indien de netkabel beschadigd raakt en tijdens reiniging en onderhoud.



Klasse II apparaat - Dubbel geïsoleerd - Een geaarde stekker is niet noodzakelijk.



Werp het product niet weg in ongeschikte containers.



Het product is in overeenstemming met de van toepassing zijnde veiligheidsnormen in de Europese richtlijnen.

## ALGEMENE VEILIGHEIDSVOORSCHRIFTEN



### WAARSCHUWING!

Lees alle veiligheidswaarschuwingen en alle instructies. Het niet opvolgen van onderstaande instructies kan leiden tot een elektrische schok, brand en/of ernstig persoonlijk letsel.

### Bewaar deze instructies.

De term "elektrisch gereedschap" in onderstaande waarschuwingen heeft betrekking op zowel apparatuur met een vaste elektriciteitskabel als op apparatuur met een accu (draadloze apparatuur).

### 1) Werkgebied

- Zorg voor een opgeruimde en goed verlichte werkomgeving.** Rommelige en donkere werkomgevingen leiden tot ongelukken.
- Gebruik elektrisch gereedschap nooit in een omgeving waar explosiegevaar bestaat, zoals in de nabijheid van ontvlambare vloeistoffen, gassen, dampen of andere stoffen.** Elektrische gereedschappen kunnen vonken veroorzaken, die deze stoffen tot ontbranding kunnen brengen.
- Wanneer u elektrisch gereedschap gebruikt, houd dan kinderen en omstanders op afstand.** Wanneer u wordt afgeleid, kunt u de controle over het gereedschap verliezen.

### 2) Elektrische veiligheid

- Stekkers van elektrische gereedschappen moeten probleemloos passen op het stopcontact. Breng nooit wijzigingen aan in of aan de stekker. Gebruik geen adapters voor geaarde elektrische gereedschappen.** Standaardstekkers en passende stopcontacten verkleinen de kans op een elektrische schok.
- Voorkom lichamelijk contact met geaarde oppervlakken van bijvoorbeeld pijpen, leidingen, radiatoren, fornuizen en koelkasten.** Wanneer uw lichaam geaard is, wordt de kans op een elektrische schok groter.
- Stel elektrische gereedschappen nooit bloot aan regen of vocht.** Wanneer er water binnendringt in een elektrisch gereedschap, wordt de kans op een elektrische schok groter.
- Gebruik het snoer niet om het elektrisch gereedschap te dragen, te verplaatsen of de stekker uit het stopcontact te trekken.** Bescherm het snoer tegen olie, warmte, scherpe randen en bewegende delen. Beschadigde of



*vastzittende snoeren vergroten de kans op een elektrische schok.*

- e) **Wanneer u elektrische gereedschappen buiten gebruikt, gebruik dan een verlengkabel die geschikt is voor buitengebruik.** *Door een kabel te gebruiken die geschikt is voor buitengebruik, wordt de kans op een elektrische schok kleiner.*
- f) **Gebruik een aardlekbeveiliging (RCD) als niet te voorkomen is dat een powertool moet worden gebruikt in een vochtige omgeving.** *Gebruik van een RCD vermindert het risico van elektrische schokken.*

### 3) Persoonlijke veiligheid

- a) **Blijf altijd alert, rijk goed wat u doet en gebruik uw gezonde verstand wanneer u een elektrisch gereedschap gebruikt. Gebruik geen elektrische gereedschappen wanneer u moe bent, of drugs, alcohol of medicijnen hebt gebruikt.** *Eén moment van onachtzaamheid bij het gebruik van elektrische gereedschappen kan ernstige verwondingen tot gevolg hebben.*
- b) **Gebruik persoonlijke beschermingsmiddelen. Draag altijd een veiligheidsbril.** *Een gepast gebruik van veiligheidsvoorzieningen, zoals een stof masker, speciale werkschoenen met antislipzolen, een veiligheidshelm en gehoor bescherming verkleinen de kans op persoonlijk letsel.*
- c) **Voorkom dat het gereedschap per ongeluk wordt gestart. Zorg dat de schakelaar op de UITpositie staat, voordat u de stekker in het stopcontact steekt.** *Draag elektrisch gereedschap nooit met uw vinger op de schakelaar en steek ook nooit de stekker van ingeschakelde elektrische gereedschappen in het stopcontact: dit leidt tot ongelukken.*
- d) **Verwijder alle instel en andere sleutels uit het elektrisch gereedschap voordat u hem inschakelt.** *Instel en andere sleutels aan een ronddraaiend onderdeel van het elektrisch gereedschap kunnen tot verwondingen leiden.*
- e) **Zorg dat u nooit uw evenwicht kunt verliezen; houd altijd twee voeten stevig op de vloer.** *Hierdoor kunt u het elektrisch gereedschap in onverwachte situaties beter onder controle houden.*
- f) **Zorg dat u geschikte kleding draagt. Draag geen loshangende kleding of sieraden. Houd uw haar, kleding en handschoenen uit de buurt van bewegende delen.** *Loshangende kleding, sieraden en lang haar kunnen vast komen te zitten in bewegende delen.*

- g) **Wanneer er voorzieningen zijn voor de aansluiting van stofafzuiginstallaties, zorg dan dat ze op de juiste wijze worden aangesloten en gebruikt.** *Gebruik van deze voorzieningen vermindert de gevaren die door stof worden veroorzaakt.*

- h) Denk niet dat doordat u gereedschap vaak gebruikt, u wel weet hoe het allemaal werkt en dat u de veiligheidsbeginselen voor het gebruik van het gereedschap wel kunt negeren. Een onbezonnen actie kan in een fractie van een seconde ernstig letsel tot gevolg hebben.

### 4) Gebruik en onderhoud van elektrisch gereedschap

- a) **Oefen geen overmatige kracht uit op elektrisch gereedschap. Gebruik het juiste gereedschap voor uw specifieke toepassing.** *Met het juiste elektrische gereedschap voert u de taak beter en veiliger uit wanneer dit op de snelheid gebeurt waarvoor het apparaat is ontworpen.*
- b) **Gebruik nooit elektrisch gereedschap waarvan de AAN/UITschakelaar niet werkt.** *Ieder elektrisch gereedschap dat niet kan worden in en uitgeschakeld met de schakelaar is gevaarlijk en moet worden gerepareerd.*
- c) **Trek de stekker uit het stopcontact voordat u wijzigingen aanbrengt aan elektrische gereedschappen, accessoires verwisselt of het elektrisch gereedschap opbergt.** *Wanneer u zich aan deze preventieve veiligheidsmaatregelen houdt, beperkt u het risico dat het gereedschap per ongeluk wordt gestart.*
- d) **Berg elektrisch gereedschap dat niet in gebruik is op buiten bereik van kinderen en laat personen die niet bekend zijn met het gereedschap of deze instructies het apparaat niet gebruiken.** *Elektrisch gereedschap is gevaarlijk in de handen van ongeoefende gebruikers.*
- e) **Zorg voor een goed onderhoud van elektrisch gereedschap. Controleer of bewegende delen op de juiste wijze zijn vastgezet. Controleer ook of er geen onderdelen defect zijn of dat er andere omstandigheden zijn die van invloed kunnen zijn op de werking van het gereedschap. Laat het gereedschap bij beschadigingen repareren vóór gebruik.** *Veel ongelukken worden veroorzaakt door slecht onderhoud van het gereedschap.*
- f) **Zorg dat snij en zaagwerktuigen scherp en schoon blijven.** *Goed onderhouden snij en zaagwerktuigen met scherpe randen zullen minder snel vastlopen en zijn eenvoudiger onder controle te houden.*

- g) **Gebruik alle elektrische gereedschappen, accessoires, bitjes etc., zoals aangegeven in deze instructies en op de wijze waarvoor het gereedschap is ontworpen. Houd daarbij rekening met de werkomstandigheden en de uit te voeren taak.** *Gebruik van elektrisch gereedschap voor handelingen die afwijken van de taken waarvoor het apparaat is ontworpen kunnen leiden tot gevaarlijke situaties.*
- h) **Houd handgrepen en greepoppervlakken droog, schoon en vrij van olie en vet.** *Gladder handgrepen en greepoppervlakken maken veilig werken en controle over het gereedschap in onverwachte situaties onmogelijk.*
- 5) **Gebruik en onderhoud accugereedschap**
- a) **Laad alleen op met de lader die door de fabrikant is gespecificeerd.** *Een lader die voor een bepaalde accu geschikt is, kan brand veroorzaken wanneer deze met een andere accu wordt gebruikt.*
- b) **Gebruik elektrisch gereedschap alleen met de speciaal hiervoor bedoelde accu's.** *Gebruik van andere accu's kan kans op letsel en brand geven.*
- c) **Wanneer de accu niet in gebruik is, houd deze dan uit de buurt van andere metalen voorwerpen zoals paperclips, munten, sleutels, spijkers, schroeven of andere kleine metalen voorwerpen die een verbinding tussen twee polen kunnen maken.** *Kortsluiting tussen de accupolen kan brandwonden of brand veroorzaken.*
- d) **Wanneer de accu niet juist wordt gebruikt, kan er vloeistof uit lopen; raak dit niet aan. Wanneer dit per ongeluk wel gebeurt, spoel dan met water. Wanneer de vloeistof in de ogen komt, moet u een arts raadplegen.** *De vloeistof uit de accu kan irritaties of brandwonden veroorzaken.*
- e) **Gebruiken niet een accu of gereedschap dat beschadigd is of gemodificeerd.** *Beschadigde of gemodificeerde accu's kunnen onvoorspelbaar gedrag vertonen, wat brand, explosie of een risico van letsel met zich meebrengt.*
- f) **Stel een accu over het gereedschap niet bloot aan open vuur of een uitzonderlijk hoge temperatuur.** *Blootstelling aan vuur of een temperatuur hoger dan 130 °C, kan een explosie veroorzaken. NB De temperatuur van "130 °C" kan worden vervangen door de temperatuur van "265 °F".*
- g) **Houd u aan alle instructies voor het laden en laad de accu of het gereedschap niet op buiten het temperatuurbereik dat in de instructies wordt aangeduid.** *Op een onjuiste wijze laden*

*of laden bij temperaturen buiten het aangeduide bereik kan de accu beschadigen en het risico van brand doen toenemen.*

## 6) Service

- a) **Laat uw gereedschap onderhouden door een gekwalificeerde onderhoudstechnicus die alleen gebruikmaakt van identieke vervangingsonderdelen.** *Dit zorgt ervoor dat de veiligheid van de power tool intact blijft.*
- b) **Voer nooit servicewerkzaamheden uit aan beschadigde accu's.** *Alleen de fabrikant of geautoriseerde service-providers mogen servicewerkzaamheden aan accu's uitvoeren.*

## EXTRA VEILIGHEIDVOORSCHRIFTEN VOOR-BLADBLAZERS

- Ruim de plastic verpakkingszakken veilig op; deze kunnen verstikkingsgevaar opleveren voor kleine kinderen.
- Zorg dat het werkgebied altijd goed opgeruimd is.
- Gebruik elektrische apparaten nooit in vochtige of natte omgevingen.
- Wij raden u ten eerste aan voor deze machine bij de wandcontactdoos een reststroombeveiliging (RCD) te gebruiken van niet meer dan 30 mA.
- Gebruik een elektrisch apparaat nooit op een plek waar het brand of een explosie kan veroorzaken, bijvoorbeeld in de buurt van ontvlambare vloeistoffen of gassen.
- Houd anderen op afstand, met name kinderen en dieren.
- Zorg er te allen tijde voor dat kinderen of anderen niet aan het elektrische apparaat zitten.
- Berg elektrische apparaten altijd op een droge, hooggelegen of afgesloten plek op, buiten het bereik van kinderen.
- Draag altijd een veiligheidsbril. Wij raden u ook aan om oorbescherming te dragen.
- Draag geschikte kleding (een lange broek) zorg dat u geen loshangende kleding of sieraden draagt en dat er geen kledingstukken verstrikt kunnen raken in bewegende delen.
- Draag stevige antislipschoenen. Draag geen sandalen of schoenen met een open voorkant.
- Wanneer u lang haar hebt, bind het dan op, zodat het niet verstrikt kan raken in bewegende delen.
- Voordat u een elektrisch apparaat gebruikt, dient u altijd eerst te controleren of er beschadigde onderdelen zijn; zo ja, gebruik het

apparaat dan niet voordat deze zijn vervangen door nieuwe onderdelen.

- Gebruik geen elektrische apparaten wanneer u moe bent of alcohol hebt gedronken.
- Zorg te allen tijde dat u stevig staat en uw evenwicht niet verliest.
- Na gebruik dient u het apparaat uit te schakelen met de aan/uit-schakelaar.
- Gebruik dit apparaat alleen voor het werk waarvoor hij bedoeld is: het wegblazen of opzuigen van blad.
- Richt de blazer niet op mensen of dieren.
- Blaas geen afval in de richting van mensen of dieren.
- Gebruik het apparaat alleen bij daglicht of bij een andere goede verlichting.
- Reik niet met uw hand in de blazerbuis of opvangzak tot de blazer is uitgeschakeld en de stekker uit het stopcontact is getrokken.
- Gebruik alleen verlengkabels die zijn goedgekeurd voor buitengebruik. Houd de kabel uit de buurt van overmatige hitte, olie, oplosmiddelen en scherpe randen.
- Gebruik de bladblazer niet voor het opzuigen van vloeistoffen.
- Zuig geen hete of brandende materialen op, zoals gloeiende stukjes kool of hout, lucifers, sigarettenpeuken die net zijn uitgemaakt, etc.
- Gebruik de bladblazer niet tenzij de opvangzak goed is vastgemaakt.
- Controleer regelmatig of alle bouten en schroeven nog goed vast zitten.
- De gebruiker is verantwoordelijk voor ongelukken of schades die tijdens het gebruik optreden bij andere mensen of eigendommen.
- Om stofirritatie te voorkomen, raden wij u aan een gezichtsmasker te dragen.
- Zorg er altijd voor dat de stroomkabel aan de achterzijde van het apparaat ligt.
- Draag het apparaat niet aan de stroomkabel.
- Trek de stekker uit het stopcontact:
- Voordat u een verstopping verwijdert.
- Voordat u het apparaat controleert, schoonmaakt of onderhoudt.
- Wanneer het apparaat overmatig begint te trillen.
- Wanneer u de machine onbeheerd achterlaat.
- Zorg op hellende vlakken altijd dat uzelf en het apparaat stevig staan.
- Loop, ren niet.
- Zorg dat alle ventilatiesleuven vrij blijven van afval en andere materialen.

- Zorg ervoor dat alle moeren, bouten en schroeven altijd goed aangedraaid zijn; dit zorgt ervoor dat het apparaat optimaal blijft functioneren.
- Controleer de afvalopvanginstallatie regelmatig op slijtage en beschadiging.
- Vervang versleten en beschadigde onderdelen.
- Gebruik alleen originele vervangingsonderdelen en accessoires.

Het apparaat onmiddellijk uitzetten bij:

- Overmatig vonken van de koolborstels en ringvuur in de collector.
- Storing in de netstekker, netsnoer of snoerbeschadiging.
- Defecte schakelaar.
- Rook of stank van verschroeide isolatie.

### Elektrische veiligheid



*Controleer altijd of de spanning van de voedingstoevoer overeenkomt met de spanning op het typeplaatje.*

- Gebruik de machine niet indien het netsnoer of de netstekker zijn beschadigd.
- Gebruik uitsluitend verlengkabels die geschikt zijn voor het vermogen van de machine met een minimale dikte van 1,5 mm<sup>2</sup>. Indien u een verlengkabelhaspel gebruikt, rol dan altijd de kabel volledig uit.

## 2. TECHNISCHE INFORMATIE

### Bedoeld gebruik

De bladblazers zijn ontwikkeld om blad te verwijderen van straten en gazons en uit tuinen. Een ventilator in de bladblazer zorgt voor een luchtstroom die kan worden gebruikt om bladeren weg te blazen of op te zuigen in de opvangzak.

## 1. MACHINE INFORMATION

### TECHNICAL SPECIFICATIONS

Model Nr.	LB501AC
Spanning	230-240V 50Hz
Vermogen	3300 W
Toerental, onbelast	14000 rpm
Max. blaassnelheid	270 km/h
Max luchtvolume	13,2 m <sup>3</sup> /min
Versnipper ratio	10:1

Capaciteit opvangzak	35 L
Gewicht	3,0 kg
Geluidsdruk (Lpa)	84,1dB(A), K=3dB(A)
Geluidsvermogen (Lwa)	95,8dB(A), K=2,21 dB(A)
Vibratie	7,490m/s <sup>2</sup> , k=1,5m/s <sup>2</sup>

### Trillingsniveau

Het trillingsemissieniveau, dat in deze gebruiksaanwijzing wordt vermeld, is gemeten in overeenstemming met een gestandaardiseerde test volgens EN 60745; deze mag worden gebruikt om twee machines met elkaar te vergelijken en als voorlopige beoordeling van de blootstelling aan trilling bij gebruik van de machine voor de vermelde toepassingen.

- gebruik van de machine voor andere toepassingen, of met andere of slecht onderhouden accessoires, kan het blootstellingsniveau aanzienlijk verhogen.
- wanneer de machine is uitgeschakeld of wanneer deze loopt maar geen werk verricht, kan dit het blootstellingsniveau aanzienlijk reduceren.

Bescherm uzelf tegen de gevolgen van trilling door de machine en de accessoires te onderhouden, uw handen warm te houden en uw werkwijze te organiseren.

## BESCHRIJVING

De nummers in de tekst verwijzen naar de diagrammen op pagina 2 – 3.

1. Primaire handvat
2. Extra handgreep
3. Netsnoer
4. Kabelhaak
5. Aan / uit schakelaar
6. Bovenste buis
7. Onderste buis
8. Opvangzak
9. Inlaat voor opvangzak
10. Vergrendelingsklem opvangzak
11. Keuzehendel blazen / zuigen
12. Draagriem haak
13. Wielhouder
14. Wielen
15. Draagriem

## 3. ASSEMBLAGE



*Schakel voor de montage altijd de machine uit en haal de stekker uit het stopcontact.*

### Monteren van de buizen (Afb. A, B)

- Schroef de bovenste buis (6) op motorbehuizing.
- Schroef het onderste buisgedeelte (7) vast aan de bovenste buis (6).
- Monteer de meegeleverde wielhouder (13) door deze op het onderste buisgedeelte (7) te schuiven tot de daarvoor bedoelde locatie op de onderste buis (7). Draai de montageschroef totdat de wielhouder (13) goed vast zit.
- Schroef de wielen (14) op de wielhouder (13).

### Schouderriem (Afb. A)

Maak de Draagriem (15) vast aan de draagriem haak (12) op de handgreep. Als u de schouderriem op de gewenste lengte wilt instellen, schuift u de verstelbare gesp naar voren of naar achteren.

### Bevestig de verzamelzak (Afb. A, C)



*Gebruik altijd de opvangzak (8) wanneer u de vacuümmodus gebruikt.*

Bevestig de haak aan het bovenste deel van de behuizing (9). Schuif het open uiteinde van de opvangzak over de buis (9) en sluit deze aan op de behuizing. Bevestig de haak aan het onderste deel van de behuizing.



*Controleer de vacuümzak altijd vóór elk gebruik op tekenen van schade. Kleine, scherpe voorwerpen kunnen worden opgezogen en als de tas is beschadigd of versleten, kunnen de voorwerpen in uw richting of in de richting van anderen worden geworpen. Dit kan tot ernstig letsel leiden, dus controleer altijd. Als uw opvangzak is beschadigd of hevig versleten, vervangt u deze door een nieuwe.*

## 4. BEDIENING

### Bediening (Afb. A)

Sluit uw apparaat aan op het lichtnet (of verlengsnoer) en wanneer u klaar bent en goed stevig staat, drukt u op de AAN / UIT-knop (5) en de machine zal starten. Laat de knop los om uit te schakelen.

Opmerking: We adviseren het gebruik van een verlengkabel voor zwaar gebruik buitenshuis.

Pas de lengte van de draagriem aan, zodat u rechtop kunt staan en de blazer tijdens gebruik op zijn wielen kunt laten rusten. Dit verlicht de belasting op uw schouders en rug. Gebruik in een voorwaartse en achterwaartse richting, niet van links naar rechts.

#### Veranderen van bedieningsmodus (Afb. A)

Wanneer u van de ene naar de andere modus wilt overschakelen, gebruikt u eenvoudig de optionele hendel (11) om uw keuze te maken. Draai met de klok mee naar de blazerstand en tegen de klok in naar de vacuümmodus (vergeet niet om de zak te plaatsen als u de vacuümmodus wilt gebruiken).

## 5. ONDERHOUD



*Schakel voor reiniging en onderhoud altijd de machine uit en verwijder de netstekker uit het stopcontact.*

Reinig de machinebehuizing regelmatig met een zachte doek, bij voorkeur iedere keer na gebruik. Zorg dat de ventilatiesleuven vrij van stof en vuil zijn. Gebruik bij hardnekkig vuil een zachte doek bevochtigd met zeepwater. Gebruik geen oplosmiddelen

als benzine, alcohol, ammonia, etc. Dergelijke stoffen beschadigen de kunststof onderdelen.

## MILIEU



*Defecte en/of afgedankte elektrische of elektronische gereedschappen dienen ter verwerking te worden aangeboden aan een daarvoor verantwoordelijke instantie.*

#### Uitsluitend voor EG-landen

Werp elektrisch gereedschap niet weg bij het huisvuil. Conform de Europese Richtlijn 2012/19/EG voor Afgedankte Elektrische en Elektronische Apparatuur en de implementatie ervan in nationaal recht moet niet langer te gebruiken elektrisch gereedschap gescheiden worden verzameld en op een milieuvriendelijke wijze worden verwerkt.

## GARANTIE

VONROC producten zijn ontworpen volgens de hoogste kwaliteitsstandaarden en gegarandeerd vrij van defecten, zowel materieel als fabrieksfouten, tijdens de wettelijk vastgestelde garantieperiode vanaf de eerste aankoopdatum. Mocht het product tijdens deze periode gebreken vertonen veroorzaakt door defecte materialen en/of fabrieksfouten, neem dan rechtstreeks contact op met VONROC.

De volgende situaties vallen niet onder de garantie:

- Er zijn reparaties of aanpassingen aan de machine uitgevoerd, of er is een poging daartoe ondernomen, door een nietgeautoriseerd servicecentrum.
- Normale slijtage.
- De machine is misbruikt, verkeerd gebruikt of slecht onderhouden.
- Er zijn niet-originele reserveonderdelen gebruikt

Dit vormt de enige garantie opgesteld door het bedrijf zowel expliciet als impliciet. Er bestaan geen andere garanties expliciet of impliciet welke verder gaan dan deze garantie, inclusief impliciete garanties van verkoopbaarheid en geschiktheid voor bepaalde doeleinden. In geen enkel geval kan VONROC aansprakelijk worden gesteld voor incidentele schade of gevolgschade. Reparaties van dealers zijn gelimiteerd tot de reparatie of vervanging van defecte producten of onderdelen.

**Het product en de gebruikershandleiding zijn onderhevig aan wijzigingen. Specificaties kunnen zonder opgaaf van redenen worden gewijzigd.**

## 1. CONSIGNES DE SÉCURITÉ

En plus des avertissements de sécurité suivants, veuillez également lire les avertissements de sécurité additionnels ainsi que les instructions. Le non-respect des avertissements de sécurité et des instructions peut entraîner une décharge électrique, un incendie et/ou des blessures graves. Veuillez conserver les avertissements de sécurité et les instructions pour consultation ultérieure.

Les symboles suivants sont utilisés dans le manuel d'utilisation ou apposés sur le produit:



Lisez le manuel d'utilisation.



Signale un risque de blessures, un danger mortel ou un risque d'endommagement de l'outil en cas de non-respect des instructions de ce manuel.



Risque d'électrocution.



Ne laissez aucune personne s'approcher de la zone de travail.



Ne jamais faire fonctionner ou laisser la machine sous la pluie ou dans un environnement humide.



Portez des lunettes de protection.  
Portez une protection auditive.



Avertissement : le ventilateur tourne toujours, faites attention lorsque vous ouvrez ou fermez le capot, en particulier au niveau du capot d'admission.



Débranchez immédiatement la fiche de la prise secteur si le câble secteur est endommagé ainsi que durant le nettoyage et la maintenance.



Machine de classe II - Double isolation - Vous n'avez pas besoin de prise avec mise à la terre.



Ne jetez pas le produit dans des conteneurs qui ne sont pas prévus à cet effet.



Le produit est conforme aux normes de sécurité applicables des directives européennes.

## CONSIGNES GÉNÉRALES DE SÉCURITÉ



### AVERTISSEMENT!

**Veuillez lire l'intégralité des avertissements de sécurité et des instructions.** Le

nonrespect de toutes les instructions indiquées cidessous peut entraîner un risque de choc électrique, d'incendie et/ou de blessures graves.

### Conservez ces instructions.

Le terme "appareil électrique" mentionné dans tous les avertissements cidessous se rapporte à un appareil électrique qui se branche au réseau électrique (grâce à un câble d'alimentation) ou à un appareil électrique (sans fil) fonctionnant grâce à une batterie.

### 1) Espace de travail

- a) **Veillez toujours à garder votre espace de travail propre et bien éclairé.** Les espaces mal rangés et sombres peuvent être la cause d'accidents.
- b) **N'utilisez pas les appareils électriques dans des environnements susceptibles d'explosion, par exemple en présence de liquides inflammables, de gaz ou de particules.** Les appareils électriques provoquent des étincelles qui peuvent enflammer les particules des émanations.
- c) **Veillez à garder éloignés les enfants et les personnes se trouvant dans votre voisinage, lors de l'utilisation d'un appareil électrique.** Les distractions peuvent vous faire perdre le contrôle de l'appareil.

### 2) Mesures de sécurité électriques

- a) **Les prises des appareils électriques doivent être raccordées à la prise murale correspondante. Ne modifiez jamais la prise de l'appareil, de quelque façon que ce soit. N'utilisez pas d'adaptateurs qui mettent les appareils électriques à la terre (mise à la masse).** Des prises non modifiées et branchées à la prise murale correspondante réduiront les risques de choc électrique.
- b) **Évitez le contact direct avec les surfaces mises à la terre ou mises à la masse comme les canalisations, les radiateurs, les cuisinières et**

**les réfrigérateurs.** *En effet, le risque de choc électrique s'accroît si votre corps est mis à la terre ou à la masse.*

- c) **N'utilisez pas d'outils électriques dans des environnements pluvieux ou humides.** *Si de l'eau s'introduit dans un appareil électrique, le risque de choc électrique augmentera.*
- d) **N'utilisez pas le câble de manière abusive. N'utilisez jamais le câble pour transporter, tirer ou débrancher l'appareil électrique. Veillez à garder le câble éloigné des sources de chaleur, des huiles, des rebords coupants ou des pièces actionnées.** *Les câbles endommagés ou entremêlés augmentent le risque de choc électrique.*
- e) **Lorsque un appareil est utilisé à l'extérieur, utilisez uniquement un câble prolongateur prévu à cet effet.** *L'utilisation d'un câble à usage extérieur réduit le risque de choc électrique.*
- f) **Si vous êtes contraint d'utiliser un outil électrique dans un environnement humide, utilisez une alimentation protégée par un dispositif à courant résiduel (RCD).** *L'utilisation d'un RCD réduit le risque de décharge électrique.*

### 3) Sécurité personnelle

- a) **Restez vigilant, gardez un œil sur ce que vous faites et utilisez votre sens commun lors de l'utilisation d'un appareil électrique. N'utilisez pas un appareil électrique si vous êtes fatigué ou si vous êtes sous l'influence de drogues, d'alcool ou si vous prenez des médicaments.** *Un moment d'inattention lors de l'utilisation des appareils électriques peut entraîner des blessures graves.*
- b) **Utilisez un équipement de protection personnelle. Protégez-vous toujours les yeux.** *Les équipements de protection, tels qu'un masque à poussière, des chaussures antidérapantes, des protections auditives ou un casque de sécurité, utilisés dans de bonnes conditions, réduiront le risque de blessures.*
- c) **Prévenez tout démarrage involontaire. Assurez-vous que l'interrupteur est sur la position "arrêt avant de brancher l'appareil.** *En effet, le transport des appareils électriques en gardant vos doigts sur l'interrupteur, ou le branchement de ces appareils en ayant l'interrupteur sur "marche accidents.*
- d) **Retirez les clés de réglage ou les clés de vis de réglage avant d'allumer l'appareil électrique.** *Une clé de vis de réglage ou une clé, laissée*

*sur une pièce en mouvement de l'appareil électrique, peut entraîner des lésions corporelles.*

- e) **Ne pas se précipiter. Gardez toujours vos pieds à plat et gardez votre équilibre.** *Ceci permet de mieux contrôler l'appareil électrique dans des situations imprévues.*
- f) **Habillez-vous convenablement. Ne portez pas de vêtements lâches ou de bijoux. Gardez vos cheveux, vêtements et gants éloignés des pièces actionnées.** *En effet, ces derniers peuvent être pris dans les pièces en action.*
- g) **Si les appareils sont fournis pour la connexion des équipements d'évacuation et de récupération de la poussière, assurez-vous que ces derniers soient correctement connectés et utilisés.** *L'utilisation de ces appareils peut réduire les risques liés à la poussière.*
- h) **Ne pensez pas être familiarisé avec l'outil après l'avoir utilisé à de nombreuses reprises, au point de ne plus rester vigilant et d'en oublier les consignes de sécurité.** *Toute action imprudente peut engendrer de graves blessures en une fraction de seconde.*

### 4) Utilisation et entretien d'un appareil électrique

- a) **Ne forcez pas l'appareil électrique. Utilisez l'appareil électrique adéquat pour votre application.** *Un appareil électrique correctement choisi assurera un meilleur travail et un travail sans danger, au rythme auquel il a été conçu.*
- b) **N'utilisez pas l'appareil électrique si l'interrupteur marche/arrêt ne fonctionne pas.** *Un appareil électrique qui ne peut pas être commandé par l'interrupteur de contrôle est dangereux et doit être réparé.*
- c) **Débranchez la prise du bloc d'alimentation avant d'effectuer des réglages, de changer des accessoires, ou de ranger les appareils électriques.** *Ces mesures de sécurité préventives réduiront le risque de démarrage involontaire de l'appareil électrique.*
- d) **Rangez les appareils électriques arrêtés hors de la portée des enfants et ne laissez aucune personne, non familiarisée avec l'outil ou ces instructions, utiliser l'appareil électrique.** *Les appareils électriques sont dangereux entre les mains d'utilisateurs non formés.*
- e) **Entretenez les appareils électriques. Vérifiez tout défaut d'alignement et l'enchaînement des pièces actionnées, la rupture de ces dernières, et les autres conditions qui peuvent affecter**

- le fonctionnement des appareils électriques. En cas de dommages, faites réparer l'appareil électrique avant de le réutiliser.** *Nombreux sont les accidents provoqués par des appareils électriques mal entretenus.*
- f) **Veillez à garder les outils coupants aiguisés et propres.** *Des outils coupants correctement entretenus avec des lames aiguisées sont moins susceptibles de se bloquer et sont plus faciles à contrôler.*
- g) **Utilisez l'appareil électrique, les accessoires et les embouts, etc., conformément à ces instructions et de la manière prévue pour le type spécifique de l'appareil électrique, en prenant en compte les conditions de travail et le travail à effectuer.** *L'utilisation de l'appareil électrique dans des applications différentes de celles prévues peut entraîner des situations dangereuses.*
- h) **Gardez les poignées et les surfaces de préhension sèches, propres et exemptes d'huile et de graisse.** *Des poignées et des surfaces de préhension glissantes ne permettent pas de manipuler et de contrôler l'outil correctement en cas de situations inattendues.*
- 5) **Utiliser et soigner les outils à batterie**
- a) **Rechargez la batterie uniquement avec le chargeur spécifié par le fabricant.** *Un chargeur adapté à une certaine batterie peut être cause de danger d'incendie quand on l'utilise avec une batterie différente.*
- b) **Utilisez chaque outil uniquement avec la batterie conçue pour lui.** *L'utilisation de toute autre batterie peut être cause de danger de blessure ou d'incendie.*
- c) **Lorsque une batterie n'est pas en usage, gardez-la hors d'atteinte d'objets métalliques tels que les trombones, pièces de monnaie, clés, clous, vis et autres petits objets métalliques pouvant faire le contact entre une borne et l'autre.** *Un court-circuit entre les bornes de la batterie peut être cause de brûlures ou d'incendie.*
- d) **Dans des circonstances extrêmes, du liquide peut gicler hors de la batterie ; évitez tout contact. En cas de contact accidentel, rincez à l'eau. En cas de contact du liquide avec les yeux, consultez un médecin.** *Le liquide qui gicle d'une batterie peut causer irritations ou brûlures.*
- e) **N'utilisez pas un bloc-batterie ou un outil endommagé ou modifié.** *Une batterie endommagée ou altérée peut avoir un comportement imprévisible qui peut conduire à un incendie, une explosion ou un risque de blessure.*
- f) **N'exposez pas le bloc-batterie ou l'outil au feu ou à des températures excessives.** *L'exposition au feu ou à des températures dépassant 130 °C peut provoquer une explosion. REMARQUE La température de "130°C" peut être remplacé par la température de "265°F".*
- g) **Respectez les instructions pour la charge et ne rechargez pas le bloc-batterie ou l'outil à une plage de températures hors de celle spécifiée dans les instructions.** *Une charge mal effectuée ou à des températures hors de la plage spécifiée peut endommager la batterie et augmente le risque d'incendie.*
- 6) **Maintenance**
- a) **L'entretien de votre outil électrique doit être confié à un réparateur qualifié qui utilise uniquement des pièces de rechange identiques aux pièces d'origine.** *Cela permet d'assurer la sécurité de l'outil électrique*
- b) **Ne réparez jamais des blocs-batteries endommagés.** *Les réparations sur les blocs-batteries ne doivent être effectuées que par le fabricant ou l'un de ses prestataires de services agréés.*

## CONSIGNES SUPPLÉMENTAIRES DE SÉCURITÉ DU SOUFFLEUR/ASPIRATEUR

- Jetez soigneusement les sacs en plastique : risque d'asphyxie pour les jeunes enfants.
- Gardez la zone de travail propre et bien rangé.
- Ne pas utiliser d'outils électriques dans les environnements pluvieux ou humides.
- Nous vous recommandons fortement d'utiliser un dispositif de courant différentiel résiduel inférieur ou égal à 30 Ma, branché sur la prise de courant lors de l'utilisation de l'appareil.
- N'utilisez pas d'outils électriques lorsqu'il y a danger d'incendie ou d'explosion : par exemple, à proximité de produits ou de gaz inflammables.
- Ne laissez approcher personne de la zone de travail, notamment les enfants ou les animaux de compagnie.
- Ne laissez pas les enfants ou les autres personnes toucher aux appareils électriques.
- Stockez l'appareil dans un endroit sec hors de la portée des enfants.
- Utilisez toujours des lunettes de protection. Nous vous recommandons également l'utilisation de bouchons d'oreille.



- Portez les vêtements adéquats (pantalon long), et non pas de vêtements lâches ou de bijoux, et assurez-vous que les vêtements n'entrent pas en contact avec les pièces en mouvement.
  - Portez des chaussures non glissantes. Évitez de porter des sandales ou des nu-pieds.
  - Si vous avez des cheveux longs, attachez-les soigneusement pour éviter de les emmêler dans les pièces en mouvement.
  - Avant d'utiliser un outil électrique, vérifiez d'abord qu'il ne comporte pas de pièces endommagées et si c'est le cas, remplacez le ou les éléments par des pièces neuves avant de pouvoir les utiliser.
  - Ne pas utiliser d'outils électriques en cas de fatigue ou à la suite d'une consommation d'alcool.
  - Ne tendez pas votre bras trop loin en utilisant l'appareil : vous risquez de perdre votre équilibre.
  - Vous devez éteindre votre appareil grâce à l'interrupteur on/off après chaque utilisation.
  - Utilisez uniquement cet appareil dans le but pour lequel il a été destiné, à savoir souffler ou aspirer les feuilles mortes.
  - Ne visez pas les personnes ou les animaux à l'aide du souffleur.
  - Ne soufflez pas les débris en direction des personnes ou des animaux.
  - Utilisez l'appareil uniquement le jour ou sous un bon éclairage artificiel.
  - Ne placez pas votre main à l'intérieur du tube souffleur ou du sac collecteur tant que la machine n'a pas été coupée et que la prise de courant n'a pas été débranchée.
  - Utilisez uniquement des rallonges appropriées pour l'utilisation en extérieur. Le câble doit rester éloigné de toute source excessive de chaleur, de l'essence, de produits solvants et de rebords tranchants.
  - N'utilisez pas l'aspirateur pour enlever tout type de liquides.
  - N'aspirez pas de matériaux chauds ou brûlants : par exemple, des braises, des allumettes, des mégots de cigarette récemment éteints.
  - N'utilisez jamais l'aspirateur sans avoir raccordé soigneusement le sac collecteur.
  - Vérifiez régulièrement que tous les vis et les boulons soient bien serrés.
  - L'utilisateur de l'appareil est responsable des accidents ou des dangers qui se présentent aux autres personnes ou à leurs biens.
  - Pour prévenir l'irritation par la poussière, nous vous recommandons le port d'un masque protecteur.
  - Dirigez toujours le câble à distance de l'arrière de l'appareil.
  - Ne transportez pas l'appareil en tirant sur le câble.
  - Débranchez l'appareil du réseau électrique :
    - avant de résoudre un blocage,
    - avant la vérification, le nettoyage ou l'entretien de l'appareil,
    - si l'appareil vibre de façon anormale,
    - après chaque utilisation de la machine.
  - Assurez-vous de votre équilibre en pente.
  - Ne courez jamais, préférez la marche.
  - Gardez les conduits d'air exempts de tout débris ou de toute obstruction.
  - Vérifiez que les écrous, boulons et vis soient bien serrés pour une utilisation sûre de l'appareil.
  - Vérifiez fréquemment le collecteur de débris pour rechercher une quelconque usure ou détérioration.
  - Remplacez les éléments usés ou endommagés.
  - Utilisez uniquement les accessoires et pièces de rechange en cas de réel besoin.
- Arrêtez immédiatement l'appareil en cas de:
- Étinceler démesurément des balais et feu annulaire dans le collecteur.
  - Court-circuit de la fiche-secteur ou du fil d'alimentation ou endommagement du fil d'alimentation.
  - Interrupteur défectueux.
  - Fumée ou odeur d'isolant brûlé.

### Sécurité électrique



Vérifiez que la tension d'alimentation correspond à la tension nominale indiquée sur la plaque signalétique.

- N'utilisez pas la machine si le câble secteur ou la fiche secteur est endommagé.
- Utilisez uniquement des rallonges adaptées à la puissance nominale de la machine et d'une section minimum de 1,5 mm<sup>2</sup>. Si vous utilisez une bobine de rallonge, déroulez toujours complètement le câble.

## 2. INFORMATIONS RELATIVES À LA MACHINE

### Utilisation prévue

Les souffleurs de feuilles sont conçus pour enlever les feuilles mortes de la rue, du jardin et de la pelouse. Un ventilateur situé à l'intérieur du souffleur de feuille entraîne un flux d'air, qui peut être utilisé pour souffler les feuilles ou pour les aspirer dans le collecteur.

### SPÉCIFICATIONS TECHNIQUES

N° de modèle	LB501AC
Voltage	230-240V 50Hz
Puissance d'entrée	3300 W
Vitesse à vide	14000 rpm
Vitesse maximum du souffleur	270 km/h
Volume d'air max.	13,2 m <sup>3</sup> /min
Broyage	10:1
Capacité du Sac à feuilles	35 L
Poids	3,0 kg
Pression acoustique (Lpa)	84,1dB(A), K=3dB(A)
Puissance acoustique (Lwa)	95,8dB(A), K=2,21 dB(A)
Vibration	7,490m/s <sup>2</sup> , k=1,5m/s <sup>2</sup>

### Niveau de vibrations

Le niveau des vibrations émises, indiqué dans ce manuel, a été mesuré conformément à la procédure décrite par la norme EN60745. Il peut être utilisé pour comparer deux outils ou pour réaliser une estimation préalable de l'exposition aux vibrations lors de l'utilisation de l'outil pour les applications mentionnées.

- L'utilisation de l'outil dans d'autres applications ou avec des accessoires différents ou mal entretenus peut considérablement augmenter le niveau d'exposition.
- La mise hors tension de l'outil et sa non-utilisation pendant qu'il est allumé peuvent considérablement réduire le niveau d'exposition.

Protégez-vous contre les effets des vibrations par un entretien correct de l'outil et de ses accessoires, en vous échauffant les mains et en organisant vos rythmes de travail.

### DESCRIPTION

Les numéros dans le texte se rapportent aux schémas de la page 2-3.

1. Poignée principale
2. Poignée auxiliaire
3. Câble électrique
4. Crochet de halage
5. Interrupteur On/Off
6. Partie supérieure du tube
7. Partie inférieure du tube
8. Sac collecteur
9. Tube d'entrée du sac collecteur
10. Clip de fixation du sac collecteur
11. Manette de commutation soufflage/aspiration
12. Clip de fixation du ceinture de transport
13. Support de roue
14. Roues
15. Ceinture de transport

## 3. MONTAGE



*Avant toute intervention sur la machine, débrancher la fiche de l'alimentation électrique.*

### Assemblage des tubes (Fig. A, B)

- Vissez le tube supérieur (6) sur le bloc-moteur.
- Vissez la section de tube inférieure (7) sur le tube supérieur (6).
- Installez le support de roues fourni (13) en le glissant sur la section de tube inférieure (7) jusqu'à la butée présente sur le tube inférieur (7). Vissez les vis de fixation jusqu'à ce que le support de roues (13) soit parfaitement sécurisé.
- Vissez les roues (14) sur le support de roues (13).

### Bandoulière (Fig. A)

Fixez la bandoulière (15) au crochet (12) situé sur la poignée. Pour régler la bandoulière à la longueur désirée, poussez simplement la boucle réglable de la bandoulière vers l'avant ou l'arrière.

### Attacher le sac (Fig. A, C)



*Utilisez toujours le sac (8) lorsque vous travaillez en mode aspirateur.*

Attachez le crochet sur la partie supérieure (9) du corps. Glissez l'extrémité ouverte du sac sur le tuyau (9) et connectez-le sur le corps. Attachez le crochet sur la partie inférieure du corps.



Vérifiez toujours le sac collecteur d'aspiration pour rechercher tout signe de dommage avant chaque utilisation. Les petits objets coupants peuvent être aspirés et si le sac collecteur est endommagé ou usé, les objets peuvent se jeter dans votre direction ou dans celle des autres. De graves blessures peuvent être infligées, alors veuillez faire une vérification. Si votre sac collecteur est endommagé ou fortement usé, veuillez le remplacer par un sac neuf.

## 4. FONCTIONNEMENT

### Utilisation (Fig. A)

Branchez votre appareil au réseau électrique (ou à la rallonge), et lorsque vous êtes prêt et bien en équilibre, appuyez sur l'interrupteur ON/OFF (5) et l'appareil démarrera. Appuyez à nouveau sur l'interrupteur pour éteindre l'appareil.

Nota: Nous vous recommandons d'utiliser une rallonge extérieure robuste.

Modifiez la longueur du harnais de manière à vous tenir droit et de manière à permettre le souffleur de reposer sur ses roues lors de l'utilisation. Cela allègera le poids sur vos épaules et votre dos. Utilisez l'appareil d'avant en arrière, et non pas sur les côtés.

### Changement du mode d'utilisation (souffle/ aspiration) (Fig. A)

Si vous souhaitez changer de mode, tirez simplement la manette de commutation (11) selon votre besoin. Tournez-la dans le sens des aiguilles d'une montre pour le mode souffleur et dans le sens contraire pour le mode aspirateur (pensez à assembler le sac collecteur si vous souhaitez le mode aspirateur).

## 5. ENTRETIEN



Avant le nettoyage et la maintenance, mettez toujours la machine hors tension et débranchez la fiche de la prise secteur.

Nettoyez le corps de la machine régulièrement au moyen d'un chiffon doux, de préférence après chaque utilisation. Vérifiez que les ouvertures

d'aération ne sont pas obstruées ni sales. Utilisez un chiffon doux légèrement humidifié avec de la mousse de savon pour nettoyer les taches persistantes. N'utilisez pas de produits de nettoyage tels que l'essence, l'alcool, l'ammoniac, etc.; ces produits peuvent endommager les parties synthétiques.

## ENVIRONNEMENT



Les équipements électroniques ou électriques défectueux ou destinés à être mis au rebut doivent être déposés aux points de recyclage appropriés.

### Uniquement pour les pays de l'UE

Ne jetez pas les outils électriques avec les déchets domestiques. Selon la Directive européenne 2012/19/CE relative aux déchets d'équipements électriques et électroniques et sa mise en œuvre dans le droit national, les outils électriques hors d'usage doivent être collectés séparément et mis au rebut de manière écologique.

## GARANTIE

Les produits VONROC sont développés aux plus hauts standards de qualité et ils sont garantis contre les défauts de pièces et de main d'oeuvre pendant la durée légale stipulée à partir de la date d'achat d'origine du produit. En cas d'une quelconque panne du produit pendant cette durée qui serait due à un défaut matériel et/ou de main d'oeuvre, contactez directement VONROC.

Les circonstances suivantes ne sont pas prises en charge par la garantie:

- Des réparations ou altérations ont été effectuées ou tentées sur la machine par un centre de réparation non agréé.
- L'usure normale.
- L'outil a été maltraité, mal utilisé ou mal entretenu.
- Des pièces détachées non d'origine ont été utilisées

Ceci constitue l'unique garantie accordée par la société explicitement ou implicitement. Il n'existe aucune autre garantie, explicite ou implicite, qui peut s'étendre au delà du contenu ici présent, y compris les garanties marchandes ou d'adaptation à des fins particulières. En aucun cas VONROC ne

sera tenu responsable de dommages accidentels ou consécutifs. Les solutions proposées par les revendeurs devront se limiter à la réparation ou le remplacement des éléments ou pièces non conformes.

**Le produit et le manuel d'utilisation sont sujets à modifications. Les spécifications peuvent changer sans préavis.**

## 1. INSTRUCCIONES DE SEGURIDAD

Lea las advertencias de seguridad, las advertencias de seguridad adicionales y las instrucciones adjuntas. De no respetarse las advertencias de seguridad y las instrucciones, podrían producirse descargas eléctricas, incendios y/o lesiones graves. Conserve las advertencias de seguridad y las instrucciones para su posterior consulta.

Los siguientes símbolos se utilizan en el manual de usuario o en el producto:



*Lea el manual de usuario.*



*Denota riesgo de lesiones personales, pérdida de vida o daños a la herramienta en caso de incumplimiento de las instrucciones del presente manual.*



*Riesgo de choque eléctrico.*



*Mantenga a los presentes a una distancia prudencial de la zona de trabajo.*



*No utilice la herramienta bajo la lluvia ni la utilice en el exterior cuando llueva.*



*Lleve gafas de seguridad.  
Lleve protección auditiva.*



*Advertencia: el ventilador sigue rotando cuando se abra o cierre la tapadera, preste atención a la tapadera de entrada en particular.*



*Saque inmediatamente el enchufe de alimentación de red si el cable de red está dañado y cuando realice operaciones de limpieza y mantenimiento.*



*Máquina de clase II - Doble aislamiento - No necesita enchufe con puesta a tierra.*



*No tire el producto en contenedores no apropiados.*



*El producto es conforme con las normas de seguridad vigentes en las Directivas Europeas.*

## INSTRUCCIONES GENERALES DE SEGURIDAD



### PRECAUCIÓN!

**Lea todas las advertencias de seguridad y todas las instrucciones.** Si no lo hace, el uso indebido puede acarrear cortocircuitos, fuego o lesiones graves.

### Conserve estas instrucciones.

El término “herramienta eléctrica”, en todas las advertencias enumeradas a continuación se refiere a su herramienta eléctrica (i nalámbrica) que funciona con una batería o a través de la red eléctrica.

#### 1) Área de trabajo

- a) **Trabaje en un lugar limpio y bien iluminado.** Lugares no iluminados o sucios propician accidentes.
- b) **No use herramientas eléctricas donde haya riesgo de fuego o explosión, p.ej: cerca de líquidos o gases inflamables, polvo etc.** Las herramientas eléctricas producen chispas que pueden producir la ignición de partículas de humo.
- c) **Mantenga a los niños y otras personas alejados mientras utiliza la herramienta eléctrica.** Las distracciones pueden hacer que pierda el control de la herramienta.

#### 2) Seguridad eléctrica

- a) **Cerciórese de que las clavijas de la herramienta eléctrica están correctamente enchufadas. Nunca modifique la clavija. No utilice ningún adaptador para la clavija de una herramienta eléctrica con conexión a tierra.** Las clavijas que no se hayan cambiado y los enchufes adecuados reducen el riesgo de cortocircuitos.
- b) **Evite el contacto humano con superficies con conexiones a tierra como tubos metálicos, conductos, tubos de la calefacción, radiadores y refrigeradores.** El riesgo de cortocircuitos es mayor cuando el cuerpo está en contacto con el suelo.
- c) **No use herramientas eléctricas bajo la lluvia o en entornos húmedos.** Si entra agua en una herramienta eléctrica aumenta el riesgo de cortocircuito.
- d) **No utilice el cable para todo. Nunca utilice el cable para mover la máquina, empujarla o sacar la clavija del enchufe.** Mantenga el cable alejado del calor, aceite, zonas cortantes o piezas en

**movimiento.** Los cables dañados o enredados aumentan el riesgo de cortocircuito.

- e) **Use un cable alargador impermeable adecuado para exteriores cuando trabaje con la herramienta eléctrica al aire libre.**

*El riesgo de cortocircuito es menor si utiliza un cable alargador adecuado para exteriores.*

- f) **Si no se puede evitar el uso de la herramienta eléctrica en un lugar húmedo, use suministro protegido mediante dispositivo diferencial residual (DDR).** El uso de un DDR reduce el riesgo de choque eléctrico.
- h) **No permita que la familiaridad adquirida con el uso frecuente de las herramientas le haga confiarse e ignorar los principios de seguridad de las herramientas.** Una acción descuidada puede causar lesiones graves en una fracción de segundo.

#### 3) Seguridad personal

- a) **No se descuide, preste atención a lo que está haciendo y utilice el sentido común mientras trabaje con esta herramienta. No use herramientas eléctricas cuando esté cansado o esté bajo los efectos del alcohol, las drogas o los medicamentos.** Un momento de distracción, mientras utilice la herramienta eléctrica, puede provocar lesiones personales graves.
- b) **Use equipo de protección individual. Use siempre gafas protectoras.** El uso en condiciones apropiadas del equipo de seguridad como por ejemplo: mascarilla antipolvo, zapatos antideslizantes de seguridad, casco o protección para los oídos, disminuye el riesgo de sufrir lesiones personales.
- c) **Evite arranques involuntarios. Asegúrese de que el interruptor está en la posición de apagado antes de conectarlo a la fuente de electricidad.** Transportar herramientas eléctricas con el dedo puesto sobre el interruptor o enchufarlas con el interruptor encendido puede causar accidentes.
- d) **Quite cualquier llave de ajuste antes de encender la herramienta eléctrica.** Una llave olvidada junto a una pieza móvil de la herramienta eléctrica puede provocar lesiones personales graves.
- e) **No se estire demasiado. Mantenga siempre el equilibrio y tenga los pies en el suelo.** Esto permite un mayor control de la herramienta eléctrica en situaciones inesperadas.

- f) **Vístase apropiadamente. No lleve prendas holgadas o joyas. Mantenga su pelo, ropa y guantes alejados de las piezas móviles.** *Las prendas holgadas, las joyas y el pelo largo pueden quedar atrapados en las piezas móviles.*
- g) **Si se han suministrado dispositivos para la extracción y recogida de polvo asegúrese de que estos estén conectados y se utilicen correctamente.** *El uso de estos dispositivos puede reducir los riesgos relacionados con el polvo.*
- h) **Mantenga las asas y las superficies de agarre secas, limpias y libres de aceite y grasa.** *Las asas y las superficies de agarre resbaladizas no permiten un manejo y control seguros de la herramienta en situaciones inesperadas.*
- 4) Utilización y cuidados de la herramienta eléctrica**
- a) **No fuerce la herramienta eléctrica. Utilice la herramienta eléctrica adecuada para el trabajo que vaya a realizar.** *Una herramienta eléctrica apropiada realizará un trabajo mejor y más seguro si se utiliza para el objetivo con el que ha sido diseñada.*
- b) **No use herramientas que no pueden encenderse o apagarse con el interruptor.** *Las herramientas que ya no se puedan encender y apagar son peligrosas y deben repararse.*
- c) **Desenchufe la clavija de la toma de electricidad antes de realizar modificaciones, cambiar accesorios o guardar las herramientas eléctricas.** *Tales medidas de seguridad preventivas reducen el riesgo de la puesta en marcha accidental.*
- d) **Mantenga a los niños alejados de una herramienta eléctrica sin utilizar y no permita a personas que no estén familiarizadas con la máquina o estas instrucciones utilizar la herramienta.** *La herramienta eléctrica puede ser peligrosa cuando la utilicen personas sin experiencia.*
- e) **Conserve sus herramientas cuidadosamente.** **Verifique cualquier desalineación o agarrotamiento de piezas móviles, piezas dañadas y cualquier otra causa, que pudiera repercutir en el buen funcionamiento de la herramienta eléctrica.** *Si la herramienta está estropeada, repárela antes de utilizarla. Muchos de los accidentes están causados por un mantenimiento insuficiente del equipo eléctrico.*
- f) **Mantenga las herramientas de corte limpias y afiladas.** *Sierras con esquinas cortantes con un buen mantenimiento se bloquean menos y son más fáciles de controlar.*
- g) **Utilice la herramienta eléctrica, accesorios y brocas etc. Siguiendo las instrucciones atendiendo al tipo de herramienta eléctrica y tenga en cuenta las condiciones de trabajo y el tipo de trabajo que se va a realizar.** *Puede ser peligroso realizar trabajos con la herramienta diferentes de aquellos para los que está diseñada.*
- 5) Uso y cuidado de las herramientas alimentadas por batería**
- a) **Recargue las baterías únicamente con el cargador recomendado por el fabricante.** *Un cargador que es apto para un tipo de baterías determinado puede provocar riesgo de incendio si se usa para cargar otra clase de baterías.*
- b) **Use las herramientas eléctricas sólo con las baterías indicadas específicamente.** *El uso de otra clase de baterías diferente puede ocasionar el riesgo de derivar en lesiones o un incendio.*
- c) **Cuando el paquete de baterías no esté en uso, consérvelo retirado de objetos metálicos como sujetapapeles, monedas, llaves, clavos, tornillos o cualquier otro objeto metálico pequeño que pueda hacer puente entre las terminales.** *El contacto entre las terminales de la batería puede causar quemaduras o incendio.*
- d) **Bajo condiciones extremas de abuso la batería podría expulsar un líquido; evite todo contacto.** **Si se produjese contacto accidentalmente, lávese bien con agua. Si el líquido hace contacto con los ojos, consulte también al médico.** *El líquido emanado de la batería puede causar irritaciones o quemaduras.*
- e) **No utilice una batería o una herramienta que esté dañada o modificada.** *Las baterías dañadas o modificadas pueden presentar un comportamiento impredecible y provocar un incendio, una explosión o riesgo de lesiones.*
- f) **No exponga una batería o una herramienta al fuego o a temperatura excesiva.** *La exposición al fuego o a temperaturas superiores a 130 °C puede provocar una explosión.*  
**NOTA:** *La temperatura "130 °C" puede sustituirse por la temperatura "265 °F".*
- g) **Siga todas las instrucciones de carga y no cargue la batería o la herramienta fuera del rango de temperatura especificado en las instrucciones.** *La carga incorrecta o a temperaturas fuera del rango especificado puede causar daños a la batería y aumentar el riesgo de incendio.*

**6) Servicio**

- a) **Haga reparar su herramienta eléctrica por una persona cualificada, usando solo piezas de repuesto idénticas.** *Esto garantiza que se mantenga la seguridad de la herramienta eléctrica.*
- b) **Nunca repare las baterías dañadas.** *El mantenimiento de las baterías debe ser realizado solo por el fabricante o los proveedores de servicio autorizados.*

**ADVERTENCIAS DE SEGURIDAD ADICIONALES PARA VENTILADOR/ASPIRADORA**

- Deshágase de las bolsas de plástico de forma segura - son un peligro de asfixia para los niños pequeños.
- Mantenga limpia y ordenada el área en la que está trabajando.
- No use herramientas eléctricas bajo la lluvia o en entornos húmedos.
- Le recomendamos encarecidamente que utilice un DDR (Dispositivo Diferencial Residual) de no más de 30 mA. en el enchufe de clavija cuando utilice la herramienta.
- No use herramientas eléctricas donde haya riesgo de fuego o explosión - p. ej. cerca de líquidos o gases inflamables.
- No permita que nadie y especialmente los niños o mascotas se acerquen al área de trabajo.
- No permita que los niños u otras personas toquen las herramientas eléctricas.
- Guárdela en un lugar seco y fuera del alcance de los niños.
- Utilice siempre gafas protectoras. También le recomendamos que use protectores para los oídos.
- Utilice ropas adecuadas (pantalones largos) - no lleve prendas holgadas o joyas y asegúrese de que la ropa no entre en contacto con piezas móviles.
- Utilice zapatos que no resbalen. No lleve sandalias o zapatos descubiertos por delante.
- Si tiene pelo largo, recójase de forma segura para impedir que se enrede con las piezas móviles.
- Antes de utilizar cualquier herramienta eléctrica, compruebe que las piezas no estén dañadas y si es así no las utilice hasta que hayan sido cambiadas por unas nuevas.
- No use herramientas eléctricas cuando esté cansado o haya bebido alcohol.
- No se estire demasiado mientras trabaja - podría perder el equilibrio.
- Debe apagar la herramienta con el interruptor de encendido/apagado después de usar.
- Utilice esta herramienta exclusivamente para el propósito indicado - esparcir o aspirar las hojas.
- No apunte con el ventilador a gente o animales.
- No esparza los desechos en la dirección de la gente o los animales.
- Utilice la herramienta sólo durante el día o con una buena luz artificial.
- No coloque la mano dentro del tubo del ventilador o la bolsa hasta que el ventilador haya sido apagado y se haya retirado la clavija del suministrador de corriente.
- Utilice sólo cables de extensión que sean adecuados para su empleo en exteriores. El cable debe mantenerse alejado del calor excesivo, aceite, disolventes y esquinas cortantes.
- No utilice la aspiradora para retirar ningún tipo de líquidos.
- No aspire materiales calientes o ardientes, por ejemplo ascuas, cerillas, colillas de cigarrillos que se hayan apagado hace poco.
- Nunca ponga en funcionamiento la aspiradora sin haber fijado adecuadamente la bolsa.
- Compruebe con regularidad que todas las tuercas y tornillos están fijos.
- El operador o usuario es responsable de accidentes o peligros que les ocurran a otras personas o a la propiedad.
- Para evitar irritación por el polvo, recomendamos que lleven una máscara para la cara.
- Dirija siempre el cable hacia la parte posterior, alejándolo de la herramienta.
- No transporte la herramienta agarrándola por el cable.
- Desconecte la herramienta de la corriente eléctrica.
- Antes de despejar un atasco.
- Antes de comprobar, limpiar o reparar la herramienta.
- Si la herramienta comienza a vibrar de forma anormal.
- En cualquier momento que abandone la posición de trabajo.
- Asegúrese siempre de que mantiene el equilibrio.
- Camine, nunca corra.
- Mantenga todas las entradas de aire refrigerante limpias de cualquier resto u obstrucción.
- Mantenga todas las tuercas, pernos y tornillos fijos para asegurar que la herramienta funciona correctamente y de forma segura.

- Revise con regularidad el colector de restos por si existe desgaste o deterioro.
- Reemplace las piezas desgastadas o dañadas.
- Utilice exclusivamente piezas y accesorios de repuesto originales.

La maquina se debe apagar inmediatamente en caso de:

- Clavija de red defectuosa, cable de conexión a la red defectuoso o deterioros del cable;
- Interruptor defectuoso.
- Humo o mal olor de aislamiento quemado.

### Seguridad eléctrica



*Compruebe siempre que la tensión del suministro eléctrico corresponda con la tensión de la placa de características.*

- No utilice la máquina si el cable o el enchufe eléctrico han sufrido daños.
- Utilice únicamente cables alargadores que sean adecuados para la potencia nominal de la máquina con un grosor mínimo de 1,5 mm<sup>2</sup>. Si utiliza un cable alargador en rollo, desenrolle totalmente el cable.

## 2. INFORMACIÓN DE LA MÁQUINA

### Uso previsto

El aspirador de hojas está diseñado para retirar las hojas de la calle, jardines y césped. Un ventilador situado dentro del aspirador de hojas proporciona un soplo de aire, que puede usarse para alejar las hojas o para aspirarlas a la bolsa de recogida.

### ESPECIFICACIONES TÉCNICAS

<b>Modelo n.º</b>	<b>LB501AC</b>
Voltaje	230-240V 50Hz
Potencia	3300 W
Velocidad en vacío	14000 rpm
Velocidad máxima de la aspiradora	270 km/h
Volumen máximo de aire	13,2 m <sup>3</sup> /min
Coefficiente de triturado	10:1
Capacidad de la bolsa de la aspiradora	35 L
Peso	3,0 kg

Nivel de presión acústica (Lpa)	84,1dB(A), K=3dB(A)
Nivel de presión acústica (Lwa)	95,8dB(A), K=2,21 dB(A)
Vibración	7,490m/s <sup>2</sup> , k=1,5m/s <sup>2</sup>

### Nivel de vibración

El nivel de emisión de vibraciones indicado en este manual de instrucciones ha sido medido según una prueba estándar proporcionada en EN 60745; puede utilizarse para comparar una herramienta con otra y como valoración preliminar de la exposición a las vibraciones al utilizar la herramienta con las aplicaciones mencionadas.

- al utilizarla para distintas aplicaciones o con accesorios diferentes o con un mantenimiento deficiente, podría aumentar de forma notable el nivel de exposición.
- en las ocasiones en que se apaga la herramienta o cuando está funcionando pero no está realizando ningún trabajo, se podría reducir el nivel de exposición de forma importante.

Protéjase contra los efectos de la vibración realizando el mantenimiento de la herramienta y sus accesorios, manteniendo sus manos calientes y organizando sus patrones de trabajo.

### DESCRIPCIÓN

Los números del texto se refieren a los diagramas de las páginas 2 – 3.

1. Empuñadura principal
2. Empuñadura auxiliar
3. Cable de alimentación
4. Gancho para el cable
5. Interruptor de encendido/apagado
6. Tubo superior
7. Tubo inferior
8. Bolsa de aspiración
9. Tubo de entrada de la bolsa de aspiración
10. Pinza de seguridad de la bolsa para hojas
11. Selector de soplado/aspiración
12. Gancho para la cinta de transporte
13. Soporte de la ruedas
14. Ruedas
15. Cinta de transporte

## 3. MONTAJE



*Antes del montaje, apague siempre la máquina y saque el enchufe de la toma.*



**Montaje de los tubos (Fig. A, B)**

- Fije mediante tornillos el tubo superior (6) al compartimento del motor.
- Fije mediante tornillos la parte del tubo inferior (7) al tubo superior (6).
- Instale el soporte de la ruedas incluido (13) deslizándolo en la parte del tubo inferior (7) hasta el tope previsto situado en el tubo inferior (7). Atornille el tornillo de fijación hasta apretar firmemente el soporte de la ruedas (13).
- Atornille las ruedas (14) al soporte de la ruedas (13).

**Correa para el hombro (Fig. A)**

Acople la cinta de transporte (15) al gancho de la correa para el hombro (12) en la empuñadura. Para ajustar la longitud necesaria de la correa para el hombro, deslice la hebilla de la correa ajustable hacia delante o hacia atrás.

**Conecte la bolsa de recogida (Fig. A, C)**

*Utilice siempre la bolsa de recogida (8) cuando utilice el modo de aspiración.*

Acople el gancho a la parte superior del compartimento (9). Deslice el extremo abierto de la bolsa de recogida sobre el tubo (9) y conéctelo al compartimento. Fije el gancho a la parte inferior del compartimento.



*Antes de cada uso, compruebe que la bolsa de aspiración no presente signos de daños. Pueden aspirarse pequeños objetos puntiagudos que, en caso de que la bolsa esté dañada o desgastada, pueden salir disparados hacia usted o hacia otras personas, lo que podría causar graves lesiones, por lo que es necesario comprobarlo. Cuando la bolsa esté dañada o muy desgastada, cámbiela por una nueva.*

**4. FUNCIONAMIENTO****Funcionamiento (Fig. A)**

Enchufe la herramienta al suministro eléctrico (o cable de extensión) y, cuando esté listo y guardando bien el equilibrio, pulse el botón ON/OFF (5) para arrancarla. Púlselo de nuevo para apagarla.

Nota: Recomendamos el uso de un cable de extensión extrafuerte especial para exteriores.

Modifique la longitud del arnés para poder ponerse de pie recto y dejar que el soplador repose en sus ruedas cuando esté en funcionamiento. De esta forma, aliviará la carga de los hombros y la espalda. Utilice la herramienta hacia adelante y hacia atrás, no hacia los lados.

**Cambio de modo de funcionamiento (Fig. A)**

Cuando desee cambiar de un modo a otro, tire del selector (11) según su requisito. Gire el selector en sentido horario para el modo de soplador y en sentido antihorario para el modo de aspiración (recuerde fijar la bolsa cuando vaya a utilizar el modo de aspiración).

**5. MANTENIMIENTO**

*Desconecte siempre la máquina de la red eléctrica principal antes de realizar cualquier trabajo de mantenimiento.*

Limpie regularmente la carcasa de la máquina con un paño suave, preferentemente después de cada uso. Compruebe que los orificios de ventilación estén libres de polvo y suciedad. Elimine el polvo persistente utilizando un paño suave humedecido con agua y jabón. No use disolventes tales como gasolina, alcohol, amoníaco, etc. Tales productos químicos pueden dañar los componentes sintéticos.

**MEDIOAMBIENTE**

*Los aparatos eléctricos o electrónicos defectuosos y/o desechados deben recogerse en lugares de reciclado apropiado.*

**Solo para países de la Comunidad Europea**

No elimine las herramientas eléctricas como residuos domésticos. De acuerdo con la Directiva europea 2012/19/CE sobre residuos de aparatos eléctricos y electrónicos, y su transposición a las legislaciones nacionales, las herramientas eléctricas que ya no se utilizan deben recogerse por separado y eliminarse en modo ecológico.

**CONDICIONES DE GARANTÍA**

Los productos VONROC han sido desarrollados con los más altos estándares de calidad y VONROC garantiza que están exentos de defectos relacionados con los materiales y la fabricación durante

el periodo legalmente estipulado, a contar desde la fecha de compra original. En caso de que el producto presente defectos relacionados con los materiales y/o la fabricación durante este periodo, póngase directamente en contacto VONROC.

La presente garantía se excluye en los siguientes casos:

- Si centros de servicios no autorizados han realizado o han intentado realizar reparaciones y/o alteraciones a la máquina.
- Si se ha producido un desgaste normal.
- Si la herramienta ha sido mal tratada o usada en modo impropio, o se ha realizado incorrectamente su mantenimiento.
- Si se han utilizado piezas de repuesto no originales.

La presente constituye la única garantía implícita y explícita que ofrece la compañía. No existen otras garantías explícitas o implícitas que excedan las citadas aquí, incluidas las garantías implícitas de comerciabilidad e idoneidad para una finalidad en especial. VONROC no será considerada responsable en ningún caso por daños incidentales o consecuentes. Los recursos a disposición de los distribuidores se limitan a la reparación o a la sustitución de las unidades o piezas no conformes.

**El producto y el manual de usuario están sujetos a variaciones. Las especificaciones pueden variarse sin previo aviso.**

## 1. ISTRUZIONI DI SICUREZZA

Leggere accuratamente gli avvisi di sicurezza, gli avvisi di sicurezza aggiuntivi e le istruzioni. La mancata osservanza degli avvisi di sicurezza e delle istruzioni potrebbe causare scosse elettriche, incendio e/o gravi lesioni. Mantenere gli avvisi di sicurezza e le istruzioni a portata di mano per future consultazioni.

I seguenti simboli sono utilizzati nel presente manuale utente o sul prodotto:



*Leggere il manuale per l'utente.*



*Denota il rischio di lesioni personali, morte o danni all'utensile in caso di mancata osservanza delle istruzioni contenute nel presente manuale.*



*Indica un pericolo di scossa elettrica.*



*Rischio di oggetti volanti. Tenere lontano chiunque si trovi nelle vicinanze dall'area di lavoro.*



*Non usare l'apparecchio sotto la pioggia e non lasciarlo all'aperto mentre piove.*



*Indossare occhiali di protezione. Indossare protezioni per l'udito.*



*Avvertenza: la ventola continua a girare quando si apre o si chiude il coperchio, prestare attenzione, in particolare con il coperchio di ingresso.*



*Staccare immediatamente la spina dalla presa di corrente se il cavo è danneggiato e durante le operazioni di pulizia e di manutenzione.*



*Apparecchio di Classe II - Doppio isolamento - Non è necessario il collegamento a terra.*



*Non smaltire il prodotto in contenitori non idonei.*

**CE** Il prodotto è conforme agli standard pertinenti in materia di sicurezza previsti dalla legislazione Europea.

## REGOLE GENERALI DI SICUREZZA



### ATTENZIONE!

**Leggere tutte le avvertenze di sicurezza e tutte le istruzioni.** Se non si seguono tutte

le istruzioni sotto elencate, si può incorrere in uno shock elettrico, in un incendio e/o in lesioni serie.

### Conservare queste istruzioni.

Il termine "arnese elettrico" in tutti gli avvertimenti sotto elencati si riferisce al vostro arnese elettrico che funziona a corrente (con filo) o ad un arnese che funziona a pile (senza filo).

#### 1) Area di lavoro

- a) **Mantenere l'area di lavoro pulita e ben illuminata.** Aree buie e disordinate favoriscono gli incidenti.
- b) **Non usare arnesi elettrici in atmosfere esplosive, come vicino ai liquidi infiammabili, gas o polveri.** Gli arnesi elettrici creano scintille che possono incendiare la polvere dei vapori.
- c) **Tenere lontani bambini e altre persone mentre si accende l'arnese elettrico.** Le distrazioni possono farvi perdere il controllo.

#### 2) Sicurezza elettrica

- a) **Le spine dell'arnese elettrico devono andare bene per la presa di corrente. Non modificare mai la spina in alcun modo. Non usare alcun adattatore con arnesi elettrici a terra (messo a terra).** Spine non modificate che vanno bene per le prese di corrente ridurranno il rischio di shock elettrico.
- b) **Evitare il contatto corporeo con superfici a terra come tubature, radiatori, fornelli e frigoriferi.** C'è un rischio maggiore di shock elettrico se il vostro corpo è a terra.
- c) **Non esporre arnesi elettrici alla pioggia o a condizioni di umidità.** Se dell'acqua penetra nell'arnese elettrico aumenterà il rischio di shock elettrico.
- d) **Non abusare del filo. Non usare mai il filo per trasportare, spingere o staccare dalla presa l'arnese elettrico. Tenere il filo lontano da calore, olio, bordi taglienti o parti mobili.** Fili danneggiati o aggrovigliati aumentano il rischio di shock elettrico.

- e) **Quando si accende un arnese elettrico all'aperto, usare una prolunga adatta a tale uso.** Usare un filo adatto all'uso all'aperto ridurrà il rischio di shock elettrico.
- f) **Se non è possibile evitare l'uso di un elettrodomestico in ambiente umido, usare una rete di alimentazione protetta da un interruttore differenziale (salvavita).** L'uso di un salvavita riduce il rischio di scosse elettriche.

#### 3) Sicurezza personale

- a) **Stare vigili e attento quando si accende un arnese elettrico. Non usare un arnese elettrico mentre si è stanco o sotto l'effetto di droghe, alcool o medicinali.** Un momento di disattenzione mentre si accendono arnesi elettrici può causare delle gravi lesioni personali.
- b) **Usare dispositivi di protezione individuale. Indossare sempre una protezione per gli occhi.** Dispositivi di sicurezza come mascherina per la polvere, scarpe di sicurezza antiscivolo, casco, o protezioni per le orecchie usate nelle appropriate condizioni, ridurranno le lesioni personali.
- c) **Prevenire l'avvio accidentale. Assicurarsi che l'interruttore sia spento prima di collegarsi.** Trasportare elettrodomestici tenendo il dito sull'interruttore di accensione o dare corrente ad elettrodomestici con l'interruttore acceso può dare luogo a incidenti.
- d) **Rimuovere ogni chiave regolatrice o chiave per dadi prima di accendere l'arnese elettrico.** Una chiave per dadi o una chiave lasciata attaccata ad una parte rotante dell'arnese elettrico può provocare lesioni personali.
- e) **Cercare di mantenere l'equilibrio. Mantenere sempre un punto d'appoggio appropriato.** Questo consente un controllo migliore dell'arnese elettrico in situazioni inaspettate.
- f) **Vestirsi adeguatamente. Non indossare vestiti larghi o gioielli. Tenere lontano capelli, vestiti e guanti dalle parti mobili.** Vestiti larghi, gioielli o capelli lunghi possono essere presi nelle parti mobili.
- g) **Se vengono forniti dispositivi per la connessione dell'estrazione della polvere e attrezzature di raccolta, assicurarsi che questi siano collegati e usati correttamente.** L'uso di questi dispositivi può ridurre i rischi correlati alla polvere.
- h) **Non lasciare che la confidenza acquisita dall'uso frequente induca l'utilizzatore ad assumere comportamenti imprudenti e a ignorare i prin-**

- cipi di sicurezza per l'utensile.** *Una semplice distrazione può provocare gravi lesioni personali in una frazione di secondo.*
- 4) Uso e manutenzione dell'arnese elettrico**
- Non forzare l'arnese elettrico. Usare l'arnese elettrico corretto per il vostro impiego.** *L'arnese elettrico corretto farà il lavoro meglio e in maniera più sicura alla velocità per la quale è stato progettato.*
  - Non usare l'arnese elettrico se l'interruttore non si accende o non si spegne.** *Ogni arnese elettrico che non può essere controllato con l'interruttore è pericoloso e deve essere riparato.*
  - Scollare la spina dalla sorgente di elettricità prima di fare qualsiasi regolazione, cambiare gli accessori, o conservare arnesi elettrici.** *Tali misure di sicurezza preventive riducono il rischio di accendere l'arnese elettrico accidentalmente.*
  - Conservare gli arnesi elettrici inattivi fuori dalla portata dei bambini e non permettere a persone che non hanno confidenza con l'arnese elettrico o con queste istruzioni di usare l'arnese elettrico.** *Gli arnesi elettrici sono pericolosi per utenti inesperti.*
  - Mantenere gli arnesi elettrici. Controllare il non allineamento o l'attacco di parti mobili, la rottura di parti ed ogni altra condizione che può influire sul funzionamento degli arnesi elettrici. Se è danneggiato, far riparare l'arnese elettrico prima dell'uso.** *Molti incidenti sono causati da arnesi elettrici mantenuti male.*
  - Mantenere gli arnesi da taglio affilati e puliti.** *È meno probabile che si attacchino degli arnesi da taglio mantenuti correttamente con tagli affilati e questi sono anche più facili da controllare.*
  - Usare l'arnese elettrico, gli accessori e le parti dell'arnese ecc, secondo queste istruzioni e nel modo pensato per il particolare tipo di arnese elettrico, tenendo conto delle condizioni di lavoro e del lavoro da svolgere.** *L'uso dell'arnese elettrico per operazioni diverse da quelle pensate potrebbe causare situazioni pericolose.*
  - Mantenere le impugnature e le superfici di presa asciutte, pulite e libere da olio e grasso.** *Impugnature e superfici di presa scivolose non consentono di maneggiare e controllare in sicurezza l'utensile in situazioni impreviste.*
- 5) Uso e manutenzione dell'utensile a batteria**
- Ricaricare l'apparecchio esclusivamente con il caricabatterie specificato dal fabbricante.** *Se si utilizza un caricabatterie di diverso tipo potrebbero verificarsi incendi.*
  - Utilizzare gli utensili elettrici solo con i pacchi batterie appositamente prescritti.** *L'uso di pacchi batterie di diverso tipo aumenta il rischio di infortunio o incendio.*
  - Quando il pacco batterie non è in uso, tenerlo lontano da oggetti metallici quali fermagli, monete, chiavi, chiodi, viti o altri piccoli oggetti metallici che potrebbero mettere in collegamento i due poli.** *Se i poli vengono messi in corto circuito, la batteria potrebbe emettere scintille o fiammate.*
  - In condizioni di uso scorretto, la batteria potrebbe emettere liquido: evitare pertanto di entrarvi in contatto. In caso di contatto accidentale, risciacquare con acqua.** *Se il liquido entra a contatto con gli occhi, consultare immediatamente un medico. Il liquido emesso dalla batteria può causare irritazioni o ustioni.*
  - Non utilizzare un pacco batterie o l'utensile se danneggiati o manomessi.** *Pacchi batterie danneggiati o manomessi potrebbero avere comportamenti imprevisti con il rischio di incendiarsi, esplodere o provocare lesioni a persone.*
  - Non esporre un pacco batterie o l'utensile alle fiamme o a temperature eccessivamente elevate.** *L'esposizione alle fiamme o a temperature superiori a 130 °C potrebbe provocare un'esplosione. **NOTA:** la temperatura di "130 °C" corrisponde a "265 °F".*
  - Seguire tutte le istruzioni per la ricarica e non caricare il pacco batterie o l'utensile a temperature che non rientrino nell'intervallo specificato nelle istruzioni.** *Se si effettua la ricarica in modo improprio o a temperature non comprese nell'intervallo specificato, il pacco batterie potrebbe subire danni e potrebbe aumentare il rischio di incendi.*
- 6) Riparazione**
- L'assistenza per l'elettrooutensile deve essere prestata da un tecnico qualificato che utilizzi soltanto ricambi originali.** *In questo modo viene garantita la sicurezza dell'elettrooutensile.*
  - Non tentare di riparare pacchi batterie danneggiati.** *La riparazione dei pacchi batteria deve essere effettuata esclusivamente dal produttore o presso centri di assistenza autorizzati.*

**Istruzione di sicurezza per aspiratore/soffiatore**

- Disponga i sacchi di plastica sicuramente – pericolo di asfissia per bambini piccoli.
- Tenga l'area di lavoro pulita ed organizzata.
- Non utilizzare attrezzi meccanici nella pioggia o nelle aree bagnate.
- Raccomandiamo l'uso di un RCD (Residual Current Device- Dispositivo di corrente residua) di massimo 30 mA usando questo apparecchio.
- Non usare la macchina in un'area dove potrebbe causare un'esplosione o un incendio; tenere lontano da liquidi e gas infiammabili.
- Non permettere ai bambini e agli animali l'accesso nell'area di lavoro.
- Non permettere mai ai bambini o ad altre persone di toccare gli attrezzi meccanici.
- Conservi l'apparecchio in un posto sicuro e fuori dalla portata dei bambini.
- Indossi sempre occhiali protettivi. Raccomandiamo anche di indossare una protezione per gli orecchi.
- Indossi vestiti appropriati e stretti (un pantalone lungo). Togliere i gioielli e fare attento che i vestiti non vengano in contatto con i parti mobili.
- Calzi scarpe antiscivolo, soprattutto fuori. Non calzare sandali o scarpe aperte.
- Se ha capelli lunghi, si faccia la coda per evitare che si ingarbugolino con i parti mobili.
- Prima di usare un attrezzo meccanico, controlli se si presentano danni. Se necessario, sostituire le parti danneggiate.
- Non utilizzare attrezzi meccanici in caso di stanchezza o ubriachezza.
- Non sporgersi in avanti durante il lavoro – potrebbe perdere l'equilibrio.
- Spenga l'apparecchio con il tasto ON/OFF.
- Utilizzare l'apparecchio solo per l'uso al quale è destinato: aspirare e ritirare foglie.
- Non indicare il soffiatore a persone o animali.
- Non soffiare detriti nella direzione di persone o animali.
- Solamente utilizzare alla luce del giorno o a luce artificiale.
- Stacchi la spina prima di mettere la mano nel tubo o nel sacco.
- Usi le prolunghe soltanto all'aperto. Il cavo di energia non può venire in contatto con calore, oli, solventi e oggetti affilati.
- Non utilizzare l'aspiratore per aspirare liquidi.
- Non aspirare materiali caldi o brucianti come braci, fiammiferi, mozziconi.

- Sempre ben fissare il sacco di aspiratore prima di uso.
- Controlli regolarmente che tutte le viti e rondelle siano ben avvitate.
- L'operatore è responsabile di danni a proprietà privata o di rischi per altre persone.
- Raccomandiamo di indossare una maschera antipolvere durante l'uso.
- Ponga sempre il cavo dietro all'apparecchio.
- Non trasportare l'apparecchio portandolo con il cavo.
- Stacchi la linea principale:
- Prima di riparare dei blocchi.
- Prima di controlli, pulizie o manutenzioni.
- In caso di vibrazioni anormali.
- Ogni volta che l'apparecchio non sarà più sorvegliato.
- Cerchi di rimanere in equilibrio su delle salite.
- Non correre mai mentre l'uso di questo apparecchio.
- I presi d'aria devono essere liberi da detriti o da ostruzioni.
- Controlli che i dadi, le viti e le rondelle siano ben avvitate.
- Controlli regolarmente se il collettore di detriti presenta dei danni.
- Sostituisca delle parti danneggiate o logore.
- Usi soltanto dei pezzi ed accessori di ricambio adatti.

**Arresto immediato del ` apparecchio in caso di:**

- Scintillare smisurato delle spazzole a fuoco anulare nel collettore.
- Corto circuito della presa o del filo di alimentazione o danneggiamento del filo di alimentazione.
- Interruttore difettoso.
- Fumo ed odore di isolante bruciato.

**Sicurezza elettrica**

*Controllare sempre che la tensione di alimentazione corrisponda alla tensione indicata sulla targhetta delle caratteristiche.*

- Non utilizzare l'elettrotensile quando il cavo o la spina di alimentazione sono danneggiati.
- Utilizzare esclusivamente cavi di prolunga idonei per la potenza nominale dell'elettrotensile, con conduttori di sezione minima di 1,5 mm<sup>2</sup>. Quando si utilizza un cavo di prolunga con avvolgicavo, svolgere sempre completamente il cavo.

## 2. INFORMAZIONI RELATIVE ALL'ELETTROUTENSILE

### Uso previsto

L'aspiratore/soffiatore di foglie sono disegnati per ritirare fogli dalla strada, dal giardino e dal prato. Un ventilatore nell'aspiratore produce un corrente d'aria, che serve a far volare via o ad aspirare foglie nel sacco di aspiratore.

### DATI TECNICI

Numero modello	LB501AC
Voltaggio	230-240V 50Hz
Potenza d'ingresso	3300 W
Velocità senza carico	14000 rpm
Velocità massima del soffiatore	270 km/h
Volume d'aria massimo	13,2 m <sup>3</sup> /min
Rapporto di triturazione	10:1
Sacco di aspiratore	35 L
Peso	3,0 kg
Livello di pressione sonora (L <sub>pa</sub> )	84,1dB(A), K=3dB(A)
Livello di potenza sonora (L <sub>wa</sub> )	95,8dB(A), K=2,21 dB(A)
Vibrazione	7,490m/s <sup>2</sup> , k=1,5m/s <sup>2</sup>

### Livello delle vibrazioni

Il livello di emissione delle vibrazioni indicato sul retro di questo manuale di istruzioni è stato misurato in conformità a un test standardizzato stabilito dalla norma EN 60745; questo valore può essere utilizzato per mettere a confronto un l'utensile con un altro o come valutazione preliminare di esposizione alla vibrazione quando si impiega l'utensile per le applicazioni menzionate.

- se si utilizza l'utensile per applicazioni diverse, oppure con accessori differenti o in scarse condizioni, il livello di esposizione potrebbe aumentare notevolmente.
- i momenti in cui l'utensile è spento oppure è in funzione ma non viene effettivamente utilizzato per il lavoro, possono contribuire a ridurre il livello di esposizione.

Protegersi dagli effetti della vibrazione effettuando la manutenzione dell'utensile e dei relativi accessori, mantenendo le mani calde e organizzando i metodi di lavoro.

### DESCRIZIONE

I numeri che compaiono nel testo si riferiscono agli schemi riportati alle pagine 2 - 3.

1. Impugnatura principale
2. Impugnatura ausiliaria
3. Cavo di alimentazione
4. Gancio per cavi
5. Interruttore di avvio/arresto
6. Tubo superiore
7. Tubo inferiore
8. Sacchetto dell'aspirapolvere
9. Tubo di ingresso del sacchetto dell'aspirapolvere
10. Clip di fissaggio per il sacchetto di raccolta foglie
11. Leva opzione soffiaggio/aspirazione
12. Gancio per cinghia di trasporto
13. Portaruota
14. Ruote
15. Cinghia di trasporto

## 3. MONTAGGIO



*Prima del montaggio, spegnere sempre l'elettrodomestico e disconnettere la spina di alimentazione dalla rete elettrica.*

### Assemblaggio dei tubi (Fig. A, B)

- Avvitare il tubo superiore (6) sull'alloggiamento del motore.
- Avvitare la sezione del tubo inferiore (7) sul tubo superiore (6).
- Montare il portaruota incluso (13) facendolo scorrere sulla sezione del tubo inferiore (7) fino all'arresto previsto sul tubo inferiore (7). Avvitare le viti di montaggio finché il portaruota (13) non è ben saldo.
- Avvitare le ruote (14) sul portaruota (13).

### Tracolla (Fig. A)

Fissare la cinghia di trasporto (15) al gancio della tracolla (12) sull'impugnatura. Per regolare la tracolla alla lunghezza desiderata, è sufficiente far scorrere la fibbia della cinghia regolabile in avanti o indietro.

### Fissare il sacchetto di raccolta (Fig. A, C)



*Utilizzare sempre il sacchetto di raccolta (8) quando si utilizza la modalità di aspirazione.*

Fissare il gancio alla parte superiore dell'alloggiamento (9). Far scorrere l'estremità aperta del sacchetto di raccolta sul tubo (9) e collegarlo all'alloggiamento. Attaccare il gancio alla parte inferiore dell'alloggiamento.



*Controllare sempre il sacchetto dell'aspirapolvere per rilevare la presenza di segni di danni prima di ogni utilizzo. Piccoli oggetti appuntiti possono essere risucchiati e se il sacchetto dell'aspirapolvere è danneggiato o usurato, gli oggetti potrebbero venire scagliati verso di sé o altri. Ciò potrebbe causare lesioni gravi, pertanto si prega di effettuare le verifiche del caso. Se la il sacchetto è danneggiato o molto usurato, sostituirlo con uno nuovo.*

## 4. FUNZIONAMENTO

### Funzionamento (Fig. A)

Collegare l'apparecchio alla presa di corrente (o al cavo di prolunga) e quando si è pronti e dotati di buon equilibrio, premere il pulsante ON/OFF (5) e si avvierà. Premere nuovamente per spegnerlo.

Nota: raccomandiamo l'uso di un cavo di prolunga per esterni a uso intensivo.

Alterare la lunghezza del cablaggio in modo che sia possibile alzarsi in piedi e consentire al soffiatore di appoggiarsi sulle ruote quando è in uso. Così facendo si alleggerirà il carico sulle spalle e sulla schiena. Utilizzare in senso avanti e indietro, non di lato.

### Modifica della modalità di funzionamento (Fig. A)

Quando si desidera passare da una modalità all'altra, è sufficiente tirare la leva opzione (1.1) in base alle proprie esigenze. Girare in senso orario per la modalità di soffiaggio e in senso antiorario per la modalità di aspirazione (ricordarsi di montare il sacchetto se si desidera la modalità di aspirazione).

## 5. MANUTENZIONE



*Le apparecchiature elettriche o elettroniche difettose e/o scartate devono essere raccolte presso gli opportuni siti di riciclaggio.*

Pulire regolarmente il corpo dell'elettrotensile con un panno morbido, preferibilmente dopo ogni uso. Assicurarsi che le prese d'aria siano libere da polvere e sporizia. Rimuovere lo sporco particolarmente ostinato con un panno morbido inumidito con acqua e sapone. Non utilizzare solventi come benzina, alcol, ammoniacca, ecc. Le sostanze chimiche di questo tipo danneggiano i componenti sintetici.

## RISPETTO AMBIENTALE



*Le apparecchiature elettriche o elettroniche difettose e/o scartate devono essere raccolte presso gli opportuni siti di riciclaggio.*

### Solo per i Paesi CE

Non smaltire gli elettrotensili insieme ai rifiuti domestici. Secondo la Direttiva europea 2012/19/EC sui rifiuti delle apparecchiature elettriche ed elettroniche e relativa implementazione nelle normative locali, gli elettrotensili ormai inutilizzabili devono essere raccolti separatamente e smaltiti in modo ecologico.

## DEFINIZIONI DELLA GARANZIA

I prodotti VONROC sono sviluppati secondo i più elevati standard di qualità e viene garantita l'assenza di difetti nei materiali e nella manodopera per il periodo contrattuale a partire dalla data di acquisto originale. Qualora il prodotto dovesse subire un guasto qualsiasi durante questo periodo a causa di difetti nei materiali e/o nella manodopera, si prega di contattare direttamente il VONROC.

Le seguenti circostanze sono escluse da questa garanzia:

- Riparazioni e/o modifiche alla macchina sono state eseguite o tentate da centri di assistenza non autorizzati.
- Normale usura.
- L'utensile è stato abusato, utilizzato o manutenu- to in modo improprio.
- Sono state utilizzate parti di ricambio non originali

Ciò costituisce l'unica garanzia espressa o implicita fornita dall'azienda. Non esistono altre garanzie espresse o implicite che si estendono oltre il presente documento, ivi comprese le garanzie im-

plicite di commerciabilità e idoneità per uno scopo particolare. In nessun caso VONROC sarà responsabile di eventuali danni incidentali o consequenziali. I rimedi dei rivenditori saranno limitati alla riparazione o sostituzione di unità o parti non conformi.

**Il prodotto e il manuale per l'utente sono soggetti a modifiche. I dati tecnici possono essere modificati senza ulteriore notifica.**

## 1. SÄKERHETSANVISNINGAR

Läs de medföljande säkerhetsvarningarna, de kompletterande säkerhetsvarningarna och anvisningarna. Underlåtenhet att följa säkerhetsvarningarna och anvisningarna kan orsaka elstöt, brand och/eller allvarlig skada. Spara säkerhetsvarningarna och anvisningarna som framtida referensmaterial.

Följande symboler används i användarhandboken eller på produkten:



Läs användarhandboken.



Anger risk för personskada, dödsfall eller skada på verktyget om anvisningarna i denna handbok inte följs.



Risk för elstöt.



Risk för flygande föremål. Håll kringstående borta från arbetsområdet.



Använd den inte när det regnar eller lämna utomhus när det regnar.



Använd skyddsglasögon.  
Använd hörselskydd.



Varning: fläkten roterar fortfarande när luckan öppnas eller stängs, var försiktig, särskilt vid insugsluckan.



Ta genast ut strömkontakten från strömkämlan om strömkabeln skadas samt vid rengöring och underhåll.



Klass II-maskin - dubbelisolering - Du behöver ingen jordad kontakt.



Kassera inte produkten i olämpliga containrar.



Produkten uppfyller gällande säkerhetsnormer i EU-direktiven.



## ALLMÄNNA SÄKERHETSFÖRESKRIFTER FÖR ELVERKTYG



### VARNING!

Läs alla säkerhetsvarningar och alla anvisningar. Underlåtenhet att följa varningar och instruktioner kan resultera i elstötar, brand och/eller allvarliga skador.

### Spara alla varningar och instruktioner för framtida referens.

Uttrycket "elverktyg" i varningarna avser ditt nätanslutna (med sladd) verktyg eller batteridrivna (sladdlösa) elektriska verktyg.

#### 1) Arbetsplats säkerhet

- Håll arbetsplatsen ren och välbelyst.** Belamrade eller mörka områden inbjuder till olyckor.
- Använd inte elektriska verktyg i explosiva atmosfärer, såsom i närvaro av lättantändliga vätskor, gaser eller damm.** Elverktyg skapar gnistor som kan antända damm eller ångor.
- Håll barn och åskådare borta medan du arbetar med ett elverktyg.** Om du blir distraherad kan du tappa kontrollen.

#### 2) Elsäkerhet

- Verktygets elkontakt måste passa till vägguttaget. Ändra inte kontakten på något sätt. Använd inte adapterkontakter med jordade elverktyg.** Omodifierade kontakter och matchande uttag minskar risken för elektrisk stöt.
- Undvik kroppskontakt med jordade ytor såsom rör, värmeelement, spisar och kylskåp.** Det finns en ökad risk för elektrisk stöt om din kropp är jordansluten eller jordad.
- Utsätt inte elektriska verktyg för regn eller väta.** Vatten som tränger in i ett elverktyg ökar risken för elstötar.
- Hantera inte elkabeln felaktigt. Använd aldrig sladden för att bära, dra eller koppla bort elverktyget från uttaget. Håll sladden borta från värme, olja, vassa kanter eller rörliga delar.** Skadade eller tilltrasslade sladdar ökar risken för elektrisk stöt.
- När du arbetar med ett elverktyg utomhus, använd en förlängningssladd som passar för utomhusanvändning. Användning av en sladd som passar för utomhusanvändning minskar risken för elektrisk stöt.**
- Om arbete med ett elverktyg i en fuktig lokal är**

oundvikligt, använd ett uttag som är skyddat med jordfelsbrytare (RCD). Användning av jordfelsbrytare minskar risken för elstötar.

#### 3) Personlig säkerhet

- Var uppmärksam, kontrollera vad du gör och använd sunt förnuft när du arbetar med ett elektriskt verktyg. Använd inte ett elverktyg när du är trött eller påverkad av droger, alkohol eller medicinering. Ett ögonblicks ouppmärksamhet under arbetet kan resultera i allvarliga personskador.**
- Använd personlig skyddsutrustning. Bär alltid ögonskydd. Skyddsutrustning såsom dammfilterskydd, halksäkra säkerhetsskor, skyddshjälm eller hörselskydd som används för lämpliga förhållanden minskar personskador.**
- Förebygg oavsiktlig igångsättning. Se till att strömbrytaren är i avstängd position innan anslutning till strömkällan och/eller batteriet, verktyget lyfts upp eller bärs. Om du bär elverktyg med ditt finger på strömbrytaren eller ansluter ett påkopplat elverktyg till nätströmmen kan en olycka inträffa.**
- Avlägsna eventuell justeringsnyckel eller skiftnyckel innan du sätter på elverktyget. En skiftnyckel eller en nyckel som sitter kvar på en roterande del av elverktyget kan resultera i personskada.**
- Böj dig inte för långt. Bibehåll alltid ordentlig fotfäste och balans. Detta möjliggör bättre kontroll av elverktyget i oväntade situationer.**
- Bär lämpliga kläder. Använd inte vida kläder eller smycken. Håll hår, kläder och handskar borta från rörliga delar. Lösa kläder, smycken eller långt hår kan fastna i rörliga delar.**
- Om enheten är försedd med anslutning av dammsug och uppsamlingsmöjlighet, se till att dessa är anslutna och används korrekt. Dammpptagning minskar dammrelaterade risker.**
- Låt inte erfarenheten som uppnås vid frekvent användning av verktyg låta dig bli för självsäker och ignorera verktygsäkerhetsprinciperna. En oförsiktig handling kan orsaka allvarliga skador under bråkdelen av en sekund.**


#### 4) Användning och skötsel av elverktyg

- Tvinga inte elverktyget. Använd rätt slags elektriska verktyg för ditt arbete. Rätt elverktyg gör arbetet bättre och säkrare vid den hastighet som det har konstruerats för.**

- b) **Använd inte elverktyget om strömbrytaren inte sätter på och stänger av det.** Ett elverktyg som inte kan kontrolleras med strömbrytaren är farligt och måste repareras.
- c) **Dra ur kontakten från strömkällan och/eller batteriet från elverktyget innan du gör några justeringar, byter tillbehör eller lägger undan elverktygen för förvaring.** Sådana förebyggande säkerhetsåtgärder minskar risken att oavsiktligt starta elverktyget.
- d) **Förvara elverktyg oåtkomliga för barn och låt inte personer som är obekanta med verktyget eller dessa instruktioner använda verktyget.** Elektriska verktyg är farliga i händerna på oerfarna användare.
- e) **Underhåll elektriska verktyg. Kontrollera för feljustering eller om rörliga delar har fastnat, bristning hos delar och andra eventuella förhållanden som kan komma att påverka elverktygets funktion. Om det är skadat, se till att elverktyget blir reparerat före användning.** Många olyckor orsakas av dåligt underhållna elektriska verktyg.
- f) **Håll kapverktyg vassa och rena.** Korrekt underhållna kapverktyg med vassa kanter är mindre troliga att kärva och lättare att kontrollera.
- g) **Använd elverktyget, dess tillbehör och verktyg i enlighet med dessa instruktioner och under beaktande av arbetsförhållandena och det arbete som ska utföras.** Användning av elverktyget för andra uppgifter än vad som avsetts kan resultera i farliga situationer.
- h) **Se till att handtagen är torra, rena och fria från olja och fett.** Hala handtag och greppytor tillåter inte säker hantering och kontroll av verktyget i oväntade situationer.
- 5) Användning och skötsel av batteridrivna verktyg**
- a) **Ladda endast med den laddare som är specificerad av tillverkaren.** En laddare som passar för en typ av batteri kan medföra risk för brand när den används med en annat batteri.
- b) **Använd elverktygen enbart med det därtill avsedda batteriet.** Användning av andra batteri kan skapa en risk för skada och brand.
- c) **När batteriet inte används, håll det borta från andra metallföremål, såsom gem, mynt, nycklar, spikar, skruvar eller andra små metallföremål som kan skapa en förbindelse från ena polen till den andra.** Kortslutning av batteriets terminaler kan leda till brännkada eller brand.
- d) **Vid felaktig hantering kan vätska komma ut från batteriet, undvik kontakt med denna. Spola med vatten vid oavsiktlig kontakt. Sök läkarhjälp om vätskan kommer i kontakt med ögon.** Vätska som kommer ut från batteriet kan orsaka irritation eller brännkada.
- e) **Använd inte batterier eller verktyg som är skadade eller modifierade.** Skadade eller modifierade batterier kan uppvisa oförutsägbart beteende som kan leda till brand, explosion eller risk för skada.
- f) **Utsätt inte batteri eller verktyg för eld eller överdriven temperatur.** Exponering för brand eller temperatur över 130 °C kan orsaka explosion. OBS! Temperaturen "130 °C" kan ersättas med temperaturen "265 °F".
- g) **Följ alla laddningsanvisningar och ladda inte batteriet eller verktyget utanför det temperaturområde som anges i instruktionerna.** Om du laddar batteriet felaktigt eller vid temperaturer utanför det angivna området kan det skada batteriet och öka risken för brand.
- 6) Service**
- a) **Se till att ditt elverktyg får service av en kvalificerad reparatör, som endast använder identiska ersättningsdelar.** Detta säkerställer att elverktygets säkerhet upprätthålls.
- b) **Utför aldrig service på skadade batterier.** Service av batteri ska endast utföras av tillverkaren eller auktoriserade serviceleverantörer.

#### YTTERLIGARE SÄKERHETSANVISNINGAR FÖR BLÅSAR/SUGAR

- Kasta plastpåsar på ett säkert sätt, de utgör en kvävningsrisk för små barn.
- Håll arbetsområdet rent och städat. Använd inte elverktyg när det regnar eller i fuktiga miljöer.
- Vi rekommenderar starkt att använda en jordfelsbrytare på högst 30 mA vid uttaget när denna apparat används.
- Använd inte elverktyg där det finns risk för brand eller explosion - dvs nära brännbara vätskor eller gaser.
- Låt eller husdjur inte barn befinna sig i arbetsområdet.
- Låt inte barn eller andra personer vidröra elverktyg.
- Förvaras på en torr plats utom räckhåll för barn.
- Använd alltid skyddsglasögon. Vi rekommenderar också användning av hörselskydd.

- Använd rätt klädsel (långbyxor. - inga löst sittande kläder eller smycken och se till att kläderna inte kan komma i kontakt med rörliga delar.
  - Använd halkfria skor. Använd inte tofflor eller öppna skor.
  - Om du har långt hår, sätt upp håret för att undvika att det trasslar in sig i rörliga delar.
  - Innan elverktuget används, kontrollera först om det finns skadade delar och vid skadade delar skall inte enheten användas innan delen eller delarna har bytts ut.
  - Använd inte elverktyg när du är trött eller druckit alkohol.
  - Sträck dig inte för långt under arbetet - du kan förlora balansen.
  - Du måste stänga av ditt verktyg med verktygets strömbrytare efter användning.
  - Använd endast denna apparat för dess avsedda syfte med att suga upp eller blåsa bort löv.
  - Rikta aldrig verktyget mot människor eller djur.
  - Blås inte skräp i riktning mot människor eller djur.
  - Använd endast lövblåsen i dagsljus eller i bra artificiellt ljus.
  - Placera inte handen inuti fläktröret förrän fläkten har stängts av och kontakten tagits ur eluttaget.
  - Använd endast förlängningssladdar som är lämpliga för utomhusbruk. Sladden måste hållas borta från överdriven värme, olja, lösningsmedel och vassa kanter.
  - Sänk inte ned enheten i någon form av vätska.
  - Dammsug inte upp heta eller brinnande material, t.ex. glöd, tändstickor, nyligen släckta cigarettfimpar.
  - Använd aldrig dammsugaren utan att påsen är ordentligt monterad.
  - Kontrollera regelbundet att muttrar alla bultar och skruvar är åtdragna.
  - Operatören eller användaren är ansvarig för olyckor eller risker som uppstår för andra personer och deras egendom.
  - För att förhindra dammirritation rekommenderar vi att du bär en ansiktsmask.
  - Håll alltid strömsladden riktad bakåt bort från apparaten.
  - Bär inte enheten i kabeln.
  - Koppla bort maskinen från elnätet
  - Innan du tar bort en blockering.
  - Innan du kontrollerar, rengör eller arbetar på maskinen.
  - Om apparaten börjar vibrera på ett onormalt sätt.
  - När du lämnar maskinen.
  - Se alltid till så att du har ett bra fotfäste i sluttingar.
  - Gå, spring aldrig.
  - Håll alla kylflutntag fria från skräp eller blockeringar.
  - Håll alla muttrar, bultar och skruvar åtdragna för att vara säker på att utrustningen är säker att arbeta med.
  - Kontrollera skräpbehållaren regelbundet för slitage eller försämring.
  - Byt slitna eller skadade delar.
  - Använd endast originalreservdelar och tillbehör.
- Stäng av maskinen omedelbart om:
- Mycket gnistor från kolborstarna och skräp i uppsamlaren.
  - Strömkontakten eller strömsladden bryts eller strömsladden skadas.
  - Brytaren är defekt.
  - Det kommer rök eller dålig lukt från bränd isole-ring.
- Elsäkerhet**
-  *Kontrollera alltid så att spänningen på nätet motsvarar den spänning som finns angiven på märkplåten.*
- Använd inte maskinen om nätkabeln eller nätkontakten är skadad.
  - Använd endast förlängningskablar som är lämpliga för maskinens effekt med en minsta tjocklek på 1,5 mm<sup>2</sup>. Om du använder en kabelvinda, rulla alltid ut kabeln helt.

## 2. MASKININFORMATION

### Avsedd användning

Lövblåsen är utvecklad för att ta bort löv från gatan, trädgården och gräsmattan. En fläkt inuti lövblåsen orsakar ett luftflöde, som kan användas för att blåsa bort löv eller suga upp löv i uppsamlingspåsen.

**TEKNISKA SPECIFIKATIONER**

Modell-nr	LB501AC
Spänning	230-240V 50Hz
Ingångseffekt	3300 W
Varvtal utan belastning	14000 rpm
Max. blåshastighet	270 km/h
Max luftvolym	13,2 m <sup>3</sup> /min
Rivförhållande	10:1
Uppsamlingspåskapacitet	35 l
Vikt	3,0 kg
Ljudtrycksnivå (Lpa)	84,1 dB(A), K=3dB(A)
Ljudeffektnivå (Lwa)	95,8 dB(A), K=2,21dB(A)
Vibration	7,490 m/s <sup>2</sup> , k=1,5 m/s <sup>2</sup>

**Vibrationsnivå**

Vibrationsutsläppsnivån som anges i denna bruksanvisning har uppmätts i enlighet med ett standardiserat test i EN60745, som kan användas för att jämföra verktyg med varandra och som en preliminär bedömning av exponering för vibrationer när du använder verktyget för angivna arbeten.

- Användning av verktyget för andra tillämpningar, eller med olika eller dåligt underhållna tillbehör kan avsevärt öka exponeringsnivån.
- De gånger då verktyget stängs av eller är på men egentligen inte används kan minska exponeringsnivån betydligt.

Skydda dig mot effekterna av vibrationer genom att underhålla verktyget och dess tillbehör, hålla händerna varma och organisera ditt arbetsmönster.

**BESKRIVNING**

Siffrorna i texten hänvisar till diagrammen på sidorna 2-3.

1. Huvudhandtag
2. Extrahandtag
3. Strömkabel
4. Kabelkrok
5. Strömbrytare
6. Övre rör
7. Nedre rör
8. Uppsamlingspåsen
9. Uppsamlingspåse inloppsrör
10. Säkerhetsfäste uppsamlingspåse
11. Spak för tillval för blås/sug

12. Bärremskrok

13. Hjulhållare

14. Hjul

15. Bärrem

**3. MONTERING**

*Stäng alltid av maskinen och ta ut strömkontakten från strömkällan innan montering.*

**Montering av rören (bild A, B)**

- Skruva fast det övre röret (6) på motorhöljet.
- Skruva fast den nedre rörsektionen (7) på det övre röret (6).
- Montera den medföljande hjulhållaren (13) genom att skjuta den på den nedre rörsektionen (7) till det förinställda stoppet på den nedre röret (7). Skruva fast monteringssskruven tills hjulhållaren (13) sitter fast.
- Skruva fast hjulen (14) på hjulhållaren (13).

**Axelrem (bild A)**

Fäst bärremmen (15) på axelremskroken (12) på handtaget. För att ställa in önskad längd på axelremmen skjut bara det justerbara remspännet framåt eller bakåt.

**Montera uppsamlingspåsen (fig. A, C)**

*Använd alltid uppsamlingspåsen (8) när du använder sugläge.*

Fäst kroken på den övre delen av huset (9). Skjut den öppna änden av uppsamlingspåsen över röret (9) och anslut den till huset. Fäst kroken på den nedre delen av huset.



*Kontrollera alltid uppsamlingspåsen för tecken på skador före varje användning. Små, vassa föremål kan sugas upp och om påsen är skadad eller sliten kan föremålen kastas i din riktning eller i andras riktning. Detta kan leda till allvarliga skador så kontrollera därför. Byt påsen är om den är skadad eller sliten.*

## 4. DRIFT

### Drift (fig. A)

Anslut din apparat till vägguttaget (eller förlängningsssladden) och när du är redo och välbalanserad, tryck på strömbrytaren (5) så startar den. Tryck igen för att stänga av den.

Notera: Vi rekommenderar att du använder en kraftig utomhusförlängningskabel.

Ändra selens längd så att du kan stå rakt och låt lövblåsen vila på hjulen när den används. Detta kommer att lätta belastningen över dina axlar och rygg. Använd i riktning framåt och bakåt, inte sida till sida.

### Ändra driftläge (fig. A)

När du vill byta från ett läge till ett annat, dra helt enkelt i tillvalsspaken (11) för att passa dina behov. Vrid den medurs till blåsläge och moturs till sugläge (kom ihåg att montera påsen om du vill ha sugläge).

## 5. UNDERHÅLL



*Stäng alltid av maskinen och ta ut strömkontakten från strömkällan innan rengöring och underhåll.*

Rengör maskinens hus regelbundet med en mjuk trasa, helst efter varje gång du använder maskinen. Se till att ventilationsöppningarna är fria från damm och smuts. Ta bort mycket ihållande smuts med en mjuk trasa fuktad med tvållösning. Använd inte lösningsmedel som bensin, alkohol, ammoniak osv. Sådana kemikalier skadar de syntetiska komponenterna.

## MILJÖ



*Felaktig och/eller kasserad elektrisk eller elektronisk utrustning måste lämnas in på lämpliga återvinningsstationer.*

### Endast för EU-länder

Kassera inte elverktyg i hushållsavfall. Enligt den europeiska riktlinjen 2012/19/EG om kasserad elektrisk och elektronisk utrustning och dess tillämpning i nationell rätt måste elverktyg som inte längre är användbara samlas in separat och kasseras på ett miljövänligt sätt.

## GARANTI

VONROC-produkter är utvecklade enligt högsta kvalitetsstandard och garanteras fria från defekter i både material och utförande under den period som lagen föreskriver från och med inköpsdatumet. Om produkten skulle utveckla fel under denna period på grund av defekt material och/eller utförande, kontakta då VONROC direkt.

Följande omständigheter är undantagna från denna garanti:

- Reparationer och/eller ändringar har gjorts eller försökts utföras på maskinen av obehöriga servicecenter;
- Normalt slitage;
- Verktyget har missbrukats, använts på fel sätt eller underhållits felaktigt;
- Reservdelar som inte är original har använts.

Detta utgör den enda garantin som företaget ger antingen uttryckt eller underförstått. Det finns inga andra garantier uttryckta eller underförstådda som sträcker sig bortom detta, inklusive de underförstådda garantierna för säljbarhet och lämplighet för ett visst syfte. Under inga omständigheter ska VONROC hållas ansvarigt för indirekta skador eller följdskador. Återförsäljarnas åtgärder ska begränsas till reparation eller byte av enheter eller delar som inte uppfyller kraven.

**Produkten och användarhandboken kan ändras. Specifikationerna kan ändras utan förvarning.**

## 1. SIKKERHEDSANVISNINGER

Læs de vedlagte sikkerhedsadvarsler, de yderligere sikkerhedsadvarsler og vejledningen. Hvis sikkerhedsadvarslerne og vejledningen ikke følges, kan det resultere i elektrisk stød, brand og/eller alvorlige personskader. Gem sikkerhedsadvarslerne og vejledningen til fremtidig brug.

Følgende symboler anvendes i brugervejledningen eller på produktet:



Læs brugervejledningen.



Angiver risiko for personskade, dødsfald eller beskadigelse af værktøjet i tilfælde af manglende overholdelse af anvisningerne i denne vejledning.



Risiko for elektrisk stød.



Risiko for flyvende genstande. Tilskuere skal holde sig på afstand af arbejdsområdet.



Brug ikke i regnvejr, og lad ikke stå udendørs i regnvejr.



Bær sikkerhedsbriller.  
Bær høreværn.



Advarsel: ventilatoren roterer stadig, når dækslet åbnes eller lukkes, vær forsigtig, især med indsugningsdækslet.



Tag øjeblikkeligt netstikket ud af stikkontakten, hvis netkablet bliver beskadiget, samt under rengøring og vedligeholdelse.



Klasse II maskine - Dobbelt isolering - Du har ikke brug for et jordforbundet stik.



Bortskaf ikke produktet i uegnede beholdere.



Produktet er i overensstemmelse med de gældende sikkerhedsstandarder i EU-direktiverne.

## GENERELLE SIKKERHEDSADVARSLER FOR ELVÆRKTØJ



### ADVARSEL!

Læs alle sikkerhedsadvarsler og alle instruktioner. Hvis advarslerne og instruktionerne ikke følges, kan det resultere i elektrisk stød, brand og/eller alvorlige personskader.

### Gem alle advarsler og instruktioner til fremtidig brug.

Udtrykket "el-værktøj" i advarslerne refererer til dit el-værktøj (med ledning) eller dit batteridrevet (ledningsfri) el-værktøj.

#### 1) Sikkerhed på arbejdsområdet

- Hold arbejdsområdet rent og godt oplyst.** Der er risiko for ulykker på rodede eller mørke områder.
- Brug ikke el-værktøj i eksplosive atmosfærer, f.eks. i nærheden af brandfarlige væsker, gasser eller støv.** El-værktøj danner gnister, der kan antænde støv eller dampe.
- Hold børn og tilskuere væk, mens du bruger et el-værktøj.** Distractioner kan få dig til at miste kontrollen.

#### 2) El-sikkerhed

- Stik på el-værktøj skal passe til stikkontakten. Stikket må aldrig modificeres på nogen måde. Brug ikke adapterstik med jordforbundne (jordede) el-værktøj. Umodificerede stik og tilsvarende stikkontakter reducerer risikoen for elektrisk stød.**
- Undgå kropskontakt med jordede overflader, såsom rør, radiatorer, områder og køleskabe.** Der er en øget risiko for elektrisk stød, hvis din krop er jordet.
- El-værktøjer må ikke udsættes for regn eller våde omgivelser. Vand, der trænger ind i et el-værktøj, vil øge risikoen for elektrisk stød.**
- Misbrug ikke ledningen. Brug ikke ledningen til at bære, trække eller frakoble el-værktøjet. Hold ledningen væk fra varme, olie, skarpe kanter eller dele i bevægelse. Beskadigede eller sammenflettede ledninger øger risikoen for elektrisk stød.**
- Når du betjener et el-værktøj udendørs, skal du bruge en forlængerledning, der er velegnet til udendørs brug, reducerer risikoen for elektrisk stød.**

- f) Hvis det ikke kan undgås at bruge et elværktøj i et fugtigt miljø, bør du anvende en strømforsyning, der er beskyttet af en fejlstrømsafbryder (RCD). Brugen af en RCD reducerer risikoen for elektrisk stød.
- 3) Personlig sikkerhed**
- a) Vær opmærksom, se hvad du laver, og brug din sunde fornuft, når du bruger et el-værktøj. Brug ikke et el-værktøj, når du er træt eller påvirket af stoffer, alkohol eller medicin. Et øjeblikks uopmærksomhed under brug af el-værktøj kan resultere i alvorlig personskade.
- b) Brug personligt sikkerhedsudstyr. Bær altid øjenværn. Beskyttelsesudstyr såsom støvmaske, skridsikre sikkerhedssko, hjelm eller høreværn, der bruges til passende forhold, reducerer personskader.
- c) Undgå tilsigtet start. Sørg for, at kontakten er slukket, før du tilslutter strømkilden og/eller batteripakken, tager maskinen op eller bærer værktøjet. Hvis el-værktøj bæres med fingrene på kontakten, eller når el-værktøj strømføres med tændt kontakt, kan der nemt ske ulykker.
- d) Fjern en eventuel justeringsnøgle eller skrue-nøgle, inden du tænder for el-værktøjet. En skrue-nøgle eller en justeringsnøgle, der er fastgjort til en roterende del af el-værktøjet, kan resultere i personskade.
- e) Ræk dig ikke for langt. Hold altid et korrekt fodfæste og balancen. Dette giver bedre kontrol over el-værktøjet i uventede situationer.
- f) Klæd dig korrekt. Bær ikke løst tøj eller smykker. Hold dit hår, tøj og handsker væk fra bevægelige dele. Løst tøj, smykker eller langt hår kan sætte sig fast i bevægelige dele.
- g) Hvis der leveres enheder til tilslutning af støvudsugnings- og opsamlingsfaciliteter, skal du sikre, at disse er tilsluttet og bliver brugt korrekt. Brug af støvopsamling kan reducere støvrelaterede farer.
- h) Lad ikke kendskab opnået gennem hyppig brug af værktøj lade dig blive tilbagelænet og ignorere værktøjsikkerhedsprincipper. En skødesløs handling kan forårsage alvorlig personskade inden for en brøkdelt af et sekund.
- 4) Brug og pleje af el-værktøj**
- a) Tving ikke el-værktøjet. Brug det korrekte el-værktøj til din opgave. Det korrekte el-værktøj vil gøre et bedre stykke arbejde og vil være mere sikkert ved den hastighed, det var beregnet til.
- b) Brug ikke el-værktøjet, hvis kontakten ikke tænder og slukker. Ethvert el-værktøj, der ikke kan styres med kontakten, er farligt og skal repareres.
- c) Tag stikket ud af strømkilden og/eller fjern batteripakken fra el-værktøjet, før du foretager justeringer, skifter tilbehør eller opbevarer el-værktøjet. Disse forebyggende sikkerhedsforanstaltninger reducerer risikoen for at tænde el-værktøjet ved et uheld.
- d) Opbevar inaktivt el-værktøj uden for børns rækkevidde, og lad ikke personer, der ikke har kendskab til el-værktøjet eller disse instruktioner, betjene el-værktøjet. El-værktøjer er farlige i hænderne på utrænede brugere.
- e) Vedligehold el-værktøjer. Se efter forkert justering eller binding af bevægelige dele, ødelagte dele og enhver anden tilstand, der kan påvirke el-værktøjets drift. Hvis det er beskadiget, bør du få el-værktøjet repareret før brug. Mange ulykker forårsages af dårligt vedligeholdt el-værktøj.
- f) Hold skæreværktøj skarpt og rent. Korrekt vedligeholdt skæreværktøjer med skarpe skærekanter har mindre tilbøjelighed til at binde og er lettere at styre.
- g) Brug el-værktøj, tilbehør og værktøjsbor osv. i overensstemmelse med disse instruktioner under hensyntagen til arbejdsforholdene og det arbejde, der skal udføres. Brug af el-værktøjet til andet arbejde end det tilsigtede kan resultere i en farlig situation.
- h) Hold håndtag og gribeblader tørre, rene og fri fra olie og fedtstof. Glatte håndtag og gribeblader muliggør ikke sikker håndtering og kontrol af værktøjet i uventede situationer.
- 5) Brug og pleje af værktøjsbatteri**
- a) Brug kun den oplader, der er specificeret af producenten, til opladning. En oplader, der er egnet til én type batteripakke, kan forårsage risiko for brand, når den anvendes med en anden batteripakke.
- b) Brug kun el-værktøj med specifikt udformede batteripakker. Brug af andre batteripakker kan resultere i risiko for personskader og brand.
- c) Når batteripakken ikke er i brug, skal den holdes væk fra andre metalgenstande, som f.eks. papirclips, mønter, nøgler, søm, skruer eller andre små metalgenstande, der kan skabe en

- forbindelse fra den ene terminal til den anden.** Hvis batteriterminalerne kortsluttes, kan det forårsage forbrændinger eller en brand.
- d) **Ved forkert anvendelse kan der slippe væske ud af batteriet; undgå kontakt. Skyl med vand, hvis der skulle opstå kontakt ved et uheld. Søg derudover lægehjælp, hvis der kommer væske ind i øjnene.** Væske fra batteriet kan forårsage irritation eller forbrændinger.
- e) **Brug ikke en batteripakke eller et værktøj, der er beskadiget eller modificeret.** Beskadigede eller modificerede batterier kan udvise uforudsigelig adfærd, hvilket resulterer i brand, eksplosion eller risiko for personskade.
- f) **Undlad at udsætte en batteripakke eller et værktøj for åben ild eller for høj temperatur.** Udsættelse for åben ild eller temperatur over 130 °C kan forårsage eksplosion. **BEMÆRK** Temperaturen „130 °C“ kan erstattes af temperaturen „265 °F“.
- g) **Følg alle opladningsinstruktioner, og oplad ikke batteripakken eller værktøjet uden for temperaturintervallet specificeret i instruktionerne.** Forkert opladning eller opladning ved temperaturer uden for det specificerede interval kan beskadige batteriet og øge risikoen for brand.
- 6) Service**
- a) **Lad dit el-værktøj blive servicert af en kvalificeret reparatør, der kun bruger identiske reservedele.** Dette sikrer, at maskinværktøjet fortsat er sikkert at bruge.
- b) **Foretag aldrig service på beskadigede batteripakker.** Service af batteripakker bør kun udføres af producenten eller autoriserede serviceudbydere.

#### YDERLIGERE SIKKERHEDSADVARSLER FOR BLÆSER/VAKUUM

- Smid plastikposer væk på sikker vis – de udgør en kvælningsfare for små børn.
- Hold det område, du arbejder i, rent og ryddeligt. Brug ikke elværktøjer i regnvejrr eller våde omgivelser.
- Vi anbefaler kraftigt at bruge en RCD (fejlstømsafbryder) på ikke mere end 30 mA ved stikkontakten, når du bruger dette apparat.
- Brug ikke elværktøjer, hvor der er risiko for brand eller eksplosion – dvs. i nærheden af brandfarlige væsker eller gasser.
- Lad ikke børn komme ind i det område, hvor du arbejder.
- Lad ikke børn eller andre røre ved elværktøjer.
- Opbevar det på et tørt sted uden for børns rækkevidde.
- Bær altid sikkerhedsbriller. Vi anbefaler også at bruge høreværn.
- Hav det rette tøj på (lange bukser) – ikke løstsiddende tøj, og ingen smykker, og sørg for, at beklædningsgenstande ikke kan komme i kontakt med bevægelige dele.
- Bær skridsikre sko. Bær ikke sandaler eller sko med åben snude.
- Hvis du har langt hår, skal du sætte det i en hestehale for at undgå, at det bliver viklet ind i bevægelige dele.
- Før du bruger et elværktøj, skal du først kontrollere, om der er beskadigede dele, og hvis du finder sådanne dele, skal du ikke bruge dem, før delen eller delene er blevet udskiftet med nye.
- Brug ikke elværktøjer, når du er træt eller har drukket alkohol.
- Stræk dig ikke for langt frem under arbejde – du kan miste balancen.
- Du skal slukke for dit værktøj på dets tænd/sluk-kontakt efter brug.
- Brug kun dette apparat til det formål, det er beregnet til – at blæse eller suge løv op.
- Ret aldrig blæseren mod mennesker eller dyr.
- Blæs ikke affald i retning af mennesker eller dyr.
- Betjen kun apparatet i dagslys eller god kunstig belysning.
- Placer ikke hånden inde i blæserrøret, før blæseren er slukket og stikket taget ud af strømforsyningen.
- Brug kun forlængerledninger, som er egnet til udendørs brug. Ledningen skal holdes væk fra overdreven varme, olie, opløsningsmidler og skarpe kanter.
- Brug ikke vakuumsugeren til at fjerne nogen former for væske.
- Støvsug ikke varme eller brændende materialer, f.eks. gløder, tændstikker, nyligt slukkede cigaretskodder.
- Betjen aldrig vakuumsugeren uden at posen er forsvarligt monteret.
- Kontroller jævnligt, at møtrikker, bolte og skruer er stramme.
- Operatøren eller brugeren er ansvarlig for ulykker eller faren, der opstår for andre mennesker eller deres ejendom.



- For at forhindre støv Irritation anbefaler vi at bære en ansigtsmaske.
- Ret altid kablet bagud væk fra apparatet.
- Bær ikke apparatet i kablet.
- Frakobl apparatet fra netforsyningen
- Inden du fjerner en blokering.
- Inden du kontrollerer, rengør eller vedligeholder apparatet.
- Hvis apparatet begynder at vibrere unormalt.
- Hver gang du forlader maskinen.
- Hav altid et sikkert fodfæste på skrånninger.
- Gå, løb aldrig.
- Hold alle køleluftindtag fri for snavs eller forhindringer.
- Hold alle møtrikker, bolte og skruer stramme for at sikre, at apparatet er i sikker driftstilstand.
- Kontroller hyppigt beholderen for slid eller nedbrydning.
- Udskift slidte eller beskadigede dele.
- Brug kun originale reservedele og tilbehør.

Sluk øjeblikkeligt for maskinen, når:

- Overdreven gnistdannelse af kulbørsterne og rod i beholderen.
- Netstikket eller netledningen afbrydes, eller der opstår skader på netledningen.
- Defekt kontakt.
- Røg eller stank af svedet isolering.

#### El-sikkerhed



Kontroller altid, at strømforsyningens spænding stemmer overens med spændingen på ydelsesskiltmærket.

- Brug ikke maskinen, hvis netledningen eller netstikket er beskadiget.
- Brug kun forlængerledninger, der er velegnede til maskinens effekt med en minimumstykkelse på 1,5 mm<sup>2</sup>. Hvis du bruger en forlængerkabel-rulle, skal du altid rulle kablet helt ud.

## 2. MASKINOPLYSNINGER

#### Tilsigtet brug

Løvblesere er udviklet til at fjerne blade fra gaden, haven og græsplænen. En vifte inden i løvblæseren skaber en luftstrøm, som kan bruges til at blæse bladene væk eller til at støvsuge bladene ind i opsamlingsposen.

#### TEKNISKE SPECIFIKATIONER

Model nr.	LB501AC
Spænding	230-240 V 50 Hz
Indgangseffekt	3300 W
Hastighed uden last	14000 rpm
Maks. blæsehastighed	270 km/t
Maks. luftvolumen	13,2 m <sup>3</sup> /min
Makuleringsratio	10:1
Blæserposens kapacitet	35 L
Vægt	3,0kg
Lydtrykniveau (Lpa)	84,1 dB(A), K=3 dB(A)
Lydtrykeffekt (Lwa)	95,8 dB(A), K=2,21 dB(A)
Vibration	7.490 m/s <sup>2</sup> , k=1,5 m/s <sup>2</sup>

#### Vibrationsniveau

Det udsendte vibrationsniveau, der er angivet i denne brugsvejledning, er blevet målt i overensstemmelse med en standardiseret test i henhold til EN60745. Den kan bruges til at sammenligne et værktøj med et andet og som en indledende vurdering af eksponering for vibration, når værktøjet bruges til de nævnte anvendelser.

- Værktøjet bruges til forskellige anvendelser, eller med forskelligt eller dårligt vedligeholdet tilbehør, kan eksponeringsniveauet øges betydeligt.
- De gange, hvor værktøjet er slukket, eller når det er tændt, men ikke bruges til opgaven på det pågældende tidspunkt, kan det reducere eksponeringsniveauet betydeligt.

Beskyt dig mod vibrationseffekterne ved at vedligeholde værktøjet og dets tilbehør, holde dine hænder varme og organisere dine arbejdsmønstre.

#### BESKRIVELSE

Tallene i teksten henviser til diagrammerne på side 2-3.

1. Hovedhåndtag
2. Hjælpehåndtag
3. Elledning
4. Kabelkrog
5. Tænd/sluk-kontakt
6. Øvre rør
7. Nedre rør
8. Vakuumpose

9. Vakuumpose indgangsrør
10. Sikringsklips til løvpose
11. Håndtag til blæs-/støvsugfunktion
12. Bærekrog til bælte
13. Hjulholder
14. Hjul
15. Bærebælte

### 3. MONTERING



*Før monteringen skal du altid slukke for maskinen og trække netstikket ud af kontakten.*

#### Montering af rørene (fig. A, B)

- Skru det øverste rør (6) på motorhuset.
- Sæt nu det nederste rør (7) på det øverste rør (6).
- Monter den medfølgende hjulholder (13) ved at skubbe den på den nederste rørasektion (7) indtil det stoppet på det nederste rør (7). Skru monteringskruen, indtil hjulholderen (13) sidder godt fast.
- Skru hjulene (14) på hjulholderen (13).

#### Skulderstrop (fig. A)

Fastgør bæreselen (15) til skulderremskrogen (12) på håndtaget. For at justere skulderremmen til den ønskede længde skal du blot skubbe det justerbare bæltespænde frem eller tilbage.

#### Fastgørelse af opsamlingsposen (fig. A, C)



*Brug altid opsamlingsposen (8), når du bruger vakuumposefunktion.*

Fastgør krogen til den øverste del af huset (9). Skub den åbne ende af opsamlingsposen over røret (9), og tilslut den til huset. Fastgør krogen til den nederste del af huset.



*Kontroller altid vakuumposen for tegn på skade før hver brug. Små, skarpe genstande kan blive suget op, og hvis posen er beskadiget eller slidt, kan genstandene blive slynget i din retning eller i retning af andre. Dette kan føre til alvorlig personska-  
de, så kontroller at posen er intakt. Hvis din pose er beskadiget eller slidt, skal du udskifte den med en ny.*

### 4. BETJENING

#### Drift (fig. A)

Sæt dit apparat i stikkontakten (eller forlængerledningen), og når du er klar og har fundet balancen med den, skal du trykke på ON/OFF-knappen (5), så vil den starte. Tryk igen for at slukke.

Bemærk: Vi anbefaler brug af et kraftigt forlænger-kabel til udendørs brug.

Juster selens længde, så du kan stå oprejst og lade blæseren hvile på hjulene, når den er i brug. Dette vil lette belastningen af dine skuldre og din ryg. Brug i en fremad- og bagudgående bevægelse, ikke fra side til side.

#### Skift af driftsfunktion (fig. A)

Når du vil skifte fra en tilstand til en anden, skal du blot trække i funktionshåndtaget (11) så det passer til dit behov. Drej den med uret til blæsertilstand og mod uret til vakuumentilstand (husk at montere posen, hvis du ønsker vakuumentilstand).

### 5. VEDLIGEHOLDELSE



*Før rengøring og vedligeholdelse skal du altid slukke for maskinen og trække netstikket ud af kontakten.*

Rengør maskinbeklædningerne regelmæssigt med en blød klud, helst efter hver anvendelse. Sørg for, at der ikke er støv eller snavs i ventilationsåbningerne. Fjern snavs, der sidder meget godt fast, med en blød klud, der er fugtet i sæbevand. Brug ikke opløsningsmidler, som f.eks. benzin, sprit, ammoniak osv. Kemikalier som disse beskadiger de syntetiske komponenter.

### MILJØ



*Defekte og/eller bortskaffede elektriske og elektroniske apparater skal afleveres på en passende genbrugsstation.*

#### Kun for lande i EU

Maskinværktøj må ikke bortskaffes sammen med husholdningsaffald. Ifølge EC-direktiv 2012/19/EU om affald af elektrisk og elektronisk udstyr og dets gennemførelse i den nationale lovgivning skal maskinværktøjer, der ikke længere anvendes, afleveres separat og bortskaffes på en miljøvenlig måde.

## GARANTI

VONROC-produkter er udviklet til de højeste kvalitetsstandarder og er garanteret fri for defekter i både materialer og udførelse i den periode, der er retsligt angivet fra datoen for det originale køb. Hvis produktet skulle udvikle fejl i denne periode på grund af defekt materiale og/eller udførelse, bedes du kontakte VONROC direkte.

Følgende omstændigheder er udelukket fra denne garanti:

- Uautoriserede servicecentre har foretaget eller gjort forsøg på at foretage reparationer og/eller ændringer på maskinen;
- Normal slitage;
- Værktøjet er blevet misbrugt, brugt forkert eller ikke passende vedligeholdt;
- Der er anvendt ikke-originale reservedele.

Dette udgør den eneste garanti, virksomheden har givet, enten udtrykt eller underforstået. Der er ingen andre garantier, udtrykt eller underforstået, som strækker sig ud over denne, herunder de underforståede garantier for salgbarhed og egnethed til et bestemt formål. Under ingen omstændigheder skal VONROC holdes ansvarlig for tilfældige skader eller følgeskader. Forhandlerens retsmidler skal være begrænset til reparation eller udskiftning af enheder eller dele, der ikke overholder kravene.

**Produktet og brugervejledningen er genstand for ændringer. Specifikationer kan ændres uden yderligere varsel.**

## 1. INSTRUKCJE BEZPIECZEŃSTWA

Przeczytać dołączone ostrzeżenia dotyczące bezpieczeństwa, dodatkowe ostrzeżenia dotyczące bezpieczeństwa oraz instrukcję. Nieprzestrzeganie ostrzeżeń dotyczących bezpieczeństwa oraz instrukcji może prowadzić do porażenia prądem, pożaru i/lub poważnych obrażeń ciała. Zachować ostrzeżenia dotyczące bezpieczeństwa oraz instrukcje na przyszłość.

Następujące symbole są umieszczone w instrukcji obsługi lub na produkcie:



*Przeczytać instrukcję obsługi.*



*W razie nie przestrzegania danej instrukcji obsługi może powstać ryzyko zranienia oraz zginięcia personelu lub uszkodzenia narzędzia.*



*Ryzyko porażenia prądem.*



*Ryzyko wyrzucenia przedmiotów w powietrze. Nie pozwalaj osobom postronnym zbliżać się do obszaru pracy.*



*Nie używać na deszczu ani nie pozostawiać kosiarki na zewnątrz podczas deszczu.*



*Używać gogli ochronnych. Stosować osłonę dla uszu.*



*Ostrzeżenie: wentylator nadal się obraca, gdy pokrywa jest otwarta, dlatego zachować ostrożność podczas otwierania i zamykania pokrywy, szczególnie pokrywy wlotowej.*



*Niezwłocznie odłączyć wtyczkę zasilania sieciowego od gniazdka sieciowego, jeśli przewód zasilania sieciowego zostanie uszkodzony, a także na czas czyszczenia i konserwacji.*



*Maszyna klasy II - Podwójna izolacja - Nie trzeba stosować wtyczek z uziemieniem.*



*Nie wyrzucać produktu do nieodpowiednich pojemników.*

**CE** Produkt spełnia wymogi odpowiednich norm bezpieczeństwa podanych w dyrektywach UE.

## OGÓLNE ZALECENIA DOTYCZĄCE BEZPIECZEŃSTWA



**UWAGA! Przeczytać wszystkie ostrzeżenia dotyczące bezpieczeństwa i wszystkie instrukcje.** Nieprzestrzeganie wszystkich poniższych instrukcji może być przyczyną porażenia prądem, pożaru i/lub poważnych obrażeń.

### Zachowaj poniższe instrukcje.

Termin „elektronarzędzia akumulatorowe” we wszystkich ostrzeżeniach zamieszczonych poniżej odnosi się do elektronarzędzi akumulatorowych zasilanych sieciowo (przewodowych) lub elektronarzędzi akumulatorowych działających na baterie (beprzewodowych).

#### 1) Obszar roboczy

- a) **Obszar roboczy należy utrzymywać w czystości.** Powinien on być dobrze oświetlony. Nieład i złe oświetlenie mogą z łatwością doprowadzić do wypadku.
- b) **Nie korzystaj z elektronarzędzi akumulatorowych w warunkach, w których łatwo może dojść do wybuchu, np. w obecności łatwopalnych cieczy, gazów lub pyłu.** Podczas pracy elektronarzędzi akumulatorowych powstają iskry, które mogą doprowadzić do zapłonu pyłu lub oparów.
- c) **Dzieci i inne osoby postronne powinny pozostać w bezpiecznej odległości od pracującego urządzenia.** Rozproszenie uwagi może spowodować utratę kontroli nad urządzeniem.

#### 2) Bezpieczeństwo związane z elektrycznością

- a) **Wtyczki elektronarzędzi akumulatorowych muszą być odpowiednie do danego gniazda. Pod żadnym pozorem nie należy modyfikować wtyczki w jakikolwiek sposób. Nie należy używać adapterów, które uziemiają elektronarzędzia akumulatorowe.** Stosowanie wtyczek nie poddanych modyfikacjom oraz odpowiednich gniazd zmniejsza ryzyko porażenia prądem.
- b) **Należy unikać bezpośredniego kontaktu fizycznego z powierzchniami uziemionymi, takimi jak rury, grzejniki, kuchenki, lodówki.** Ryzyko porażenia prądem jest większe, jeśli ciało osoby

obsługującej urządzenie jest uziemione.

- c) **Nie należy wystawiać elektronarzędzi akumulatorowych na działanie deszczu lub wilgoci.** Dostanie się wody do wnętrza elektronarzędzia akumulatorowego zwiększy ryzyko porażenia prądem.
- d) **Nie należy używać przewodu w niewłaściwy sposób. Pod żadnym pozorem nie należy wykorzystywać przewodu do przenoszenia lub ciągnięcia elektronarzędzia akumulatorowego, ani do jego odłączania od sieci. Przewodu nie należy wystawiać na działanie ciepła, smarów. Powinien on znajdować się w bezpiecznej odległości od ostrych krawędzi i części ruchomych.** Przewody uszkodzone lub poplątane zwiększają ryzyko porażenia prądem.
- e) **Podczas korzystania z elektronarzędzia akumulatorowego na wolnym powietrzu, należy używać przewodu przedłużacza przystosowanego do użytku na zewnątrz.** Używanie przewodu nadającego się do użytku na wolnym powietrzu zmniejsza ryzyko porażenia prądem.
- f) **Jeśli obsługa elektronarzędzia w wilgotnym miejscu jest nieunikniona, użyć zasilania wyposażonego w wyłącznik różnicowo-prądowy.** Użycie wyłącznika różnicowo-prądowego zmniejsza ryzyko porażenia prądem.

#### 3) Bezpieczeństwo osoby obsługującej urządzenie

- a) **Przez cały czas należy mieć się na baczności, uważać na to, co się robi, a w czasie obsługi elektronarzędzia akumulatorowego postępować mając na uwadze zdrowy rozsądek. Urządzenia nie powinny obsługiwać osoby zmęczone lub będące pod wpływem narkotyków, alkoholu lub leków.** Chwila nieuwagi w czasie obsługi elektronarzędzi akumulatorowych może być przyczyną powstania poważnych obrażeń ciała.
- b) **Należy korzystać ze sprzętu ochronnego oraz zawsze nosić okulary ochronne.** Sprzęt ochronny, jak na przykład maska przeciwpyłowa, antypoślizgowe obuwie ochronne, kask lub słuchawki ochronne używany we właściwych sytuacjach pozwoli na zmniejszenie ryzyka obrażeń ciała.
- c) **Unikać niezamierzonego uruchomienia. Przed podłączeniem urządzenia do sieci, zawsze sprawdzić, czy przełącznik znajduje się w pozycji „wyłączony”.** Przenoszenie elektronarzędzi z palcem na przełączniku lub włączonych elektronarzędzi z przełącznikiem w położeniu włączenia jest bardzo niebezpieczne i może powodować wypadki.

- d) **Przed włączeniem elektronarzędzia akumulatorowego należy usunąć z niego wszystkie klucze nastawcze lub maszynowe.** Pozostawienie klucza zamocowanego na jednej z części obrotowych urządzenia może spowodować powstanie obrażeń ciała.
  - e) **Nie należy sięgać ponad urządzeniem. Przez cały czas należy zachować odpowiednią równowagę i zapewnić odpowiednie oparcie dla stóp.** Pozwoli to na lepsze kontrolowanie urządzenia w nieoczekiwanych sytuacjach.
  - f) **Należy nosić odpowiednie ubranie. Do pracy z urządzeniem nie wkładać luźnych ubrań ani biżuterii. Włosy, ubranie i rękawiczki trzymać z dala od części ruchomych.** Luźne części ubrania, biżuteria lub długie włosy mogą zostać wciągnięte przez części ruchome.
  - g) **Jeśli w urządzeniu przewidziano elementy służące do odprowadzania i zbierania pyłu, należy sprawdzić, czy są podłączone, i czy działają we właściwy sposób.** Korzystanie z tego typu elementów pozwala ograniczyć ryzyko związane z wydzielaniem pyłu podczas pracy urządzenia.
  - h) **Nie zezwalać na to, aby rutyna związana z częstym korzystaniem z narzędzi powodowała nadmierną pewność siebie i ignorowanie zasad bezpiecznego korzystania z narzędzi.** Nieodpowiedzialne działanie może spowodować poważne obrażenia ciała w ułamku sekundy.
- 4) Obsługa i konserwacja elektronarzędzi akumulatorowych**
- a) **Urządzenia nie należy przeciążać. Należy korzystać z narzędzia odpowiedniego do danego typu pracy.** Odpowiednio dobrane urządzenie pozwoli na lepsze i bezpieczniejsze wykonanie pracy, we właściwym dla urządzenia tempie.
  - b) **Z elektronarzędzia akumulatorowego nie należy korzystać, jeśli nie można go wyłączyć i wyłączyć przy pomocy przełącznika.** Urządzenie, którego nie można kontrolować używając przełącznika jest niebezpieczne i powinno być oddane do naprawy.
  - c) **Przed przystąpieniem do regulowania elektronarzędzi akumulatorowych, wymiany akcesoriów lub przygotowywania urządzeń do okresu przechowywania, należy odłączyć wtyczkę od źródła zasilania.** Tego typu środki ostrożności zmniejszają ryzyko przypadkowego uruchomienia urządzenia.
  - d) **Nieczyste elektronarzędzia akumulatorowe należy przechowywać poza zasięgiem dzieci.**

**Nie należy pozwolić, aby osoby nie znające urządzenia lub niniejszych instrukcji obsługiwały urządzenie.** Elektronarzędzia akumulatorowe w rękach niekompetentnych użytkowników stanowią zagrożenie.

- e) **Elektronarzędzia akumulatorowe należy utrzymywać w dobrym stanie technicznym. Należy sprawdzać, czy części ruchome są właściwie założone, i czy się nie zacinają. Należy również sprawdzać, czy jakieś części nie są uszkodzone oraz sprawdzać wszelkie inne elementy, które mogą wpłynąć na pracę urządzeń. Jeśli urządzenie jest uszkodzone, przed przystąpieniem do jego użytkowania, należy je naprawić.** Często przyczyną wypadków jest zły stan techniczny urządzeń.
  - f) **Narzędzia służące do cięcia powinny być naostrzone i utrzymywane w czystości.** Jeśli narzędzia służące do cięcia, które posiadają ostre krawędzie tnące, są właściwie konserwowane, istnieje mniejsze prawdopodobieństwo ich zacinania się. Ponadto, łatwiej je kontrolować.
  - g) **Elektronarzędzia akumulatorowe, akcesoriów, nakładek, itp. należy używać zgodnie z niniejszymi instrukcjami oraz w sposób właściwy dla danego rodzaju urządzenia, z u wzięciem warunków pracy oraz jej rodzaju.** Używanie urządzenia niezgodnie z przeznaczeniem może prowadzić do powstania sytuacji niebezpiecznych.
  - h) **Uchwyty należy utrzymywać w stanie suchym, czystym i niezabrudzonym olejem lub smarem.** Śliskie uchwyty i powierzchnie do chwytania nie pozwalają na bezpieczne obchodzenie się z narzędziem i panowanie nad nim w nieoczekiwanych sytuacjach.
- 5) Użytkowanie i konserwacja urządzenia zasilanego akumulatorami**
- a) **Ładować tylko przy użyciu ładowarki określonej przez producenta.** Ładowarka przewidziana dla jednego rodzaju akumulatorów stwarza ryzyko pożaru w przypadku użycia jej z innym zestawem akumulatorów.
  - b) **Należy używać jedynie akumulatorów przeznaczonych dla danego urządzenia.** Użycie innych akumulatorów stwarza ryzyko wystąpienia obrażeń ciała lub pożaru.
  - c) **Kiedy akumulatorki nie są używane, należy przechowywać je z dala od przedmiotów metalowych, takich jak spinacze do papieru, monety, klucze, gwoździe, śruby lub inne niewielkie**

**przedmioty metalowe, które mogłyby spowodować zwarcie pomiędzy stykami.** Zwarcie styków akumulatora może spowodować pożar.

**d) W przypadku przecięcia z akumulatora może wycieknąć płyn; nie należy go dotykać.**

**W razie przypadkowego kontaktu przemycić skórę wodą. W przypadku dostania się płynu do oczu należy skontaktować się z lekarzem.** Płyn z akumulatora może powodować podrażnienia lub oparzenia.

**e) Nie używać uszkodzonego ani zmodyfikowanego akumulatora lub narzędzia.** Uszkodzone lub zmodyfikowane akumulatory mogą działać w sposób nieoczekiwany, co może spowodować pożar, wybuch lub ryzyko obrażeń ciała.

**f) Nie wystawiać akumulatora ani narzędzia na działanie płomienia lub zbyt wysokiej temperatury.** Narażenie na działanie płomienia lub temperatury powyżej 130°C może spowodować wybuch.

UWAGA Temperaturę „130 °C“ można zastąpić temperaturą „265 °F“.

**g) Przestrzegać wszystkich instrukcji ładowania i nie ładować akumulatora ani narzędzia poza zakresem temperatury podanym w instrukcji.**

Nieprawidłowe ładowanie lub ładowanie w temperaturze poza podanym zakresem może spowodować uszkodzenie akumulatora i zwiększyć ryzyko pożaru.

**6) Serwis**

**a) Zlecać serwisowanie elektronarzędzie wykwalifikowanemu technikowi stosującymi jedynie części zamienne identyczne z oryginalnymi.** Zapewni to zachowanie bezpieczeństwa elektronarzędzia.

**b) Nigdy nie serwisować uszkodzonych akumulatorów.** Serwisowanie akumulatorów może przeprowadzać wyłącznie producent lub autoryzowany serwis.

**DODATKOWE OSTRZEŻENIA DOTYCZĄCE BEZPIECZEŃSTWA DLA DMUCHAW/ODKURZACZY**

- Zutilizować plastikowe torby w bezpieczny sposób – mogą one spowodować uduszenie się małych dzieci.
- Miejsce pracy utrzymywać w porządku i czystości. Nie używać elektronarzędzi podczas deszczu lub w wilgotnych środowiskach.
- Podczas korzystania z tego urządzenia zdecydowanie zalecamy używanie wyłącznika różnicowoprądowego o prądzie zadziałania nie

większym niż 30 mA, podłączonego do gniazdka zasilającego.

- Nie używać elektronarzędzi, jeśli występuje ryzyko pożaru lub eksplozji – np. w pobliżu płynów lub gazów łatwopalnych.
- Nie należy pozwalać nikomu, a w szczególności dzieciom i zwierzętom domowym, przebywać w miejscu pracy.
- Dzieci ani osoby postronne nie powinny dotykać elektronarzędzi.
- Przechowywać w suchym miejscu poza zasięgiem dzieci.
- Zawsze korzystać z okularów ochronnych. Zalecamy także korzystanie z ochraniaczy słuchu.
- Należy nosić odpowiednie ubrania (długie spodnie) – unikać luźnych strojów i biżuterii, pilnować, by ubiór nie wszedł w kontakt z ruchomymi częściami narzędzia.
- Nosić obuwie antypoślizgowe. Nie nosić sandałów ani butów z odstąpionymi palcami.
- Nie używać elektronarzędzi pod wpływem alkoholu lub zmęczenia.
- Nie należy sięgać zbyt daleko podczas pracy – można stracić równowagę.
- Po użytku wyłączać narzędzie wyłącznikiem.
- Z narzędzia należy korzystać wyłącznie zgodnie z przeznaczeniem – do zdmuchiwania lub wssania liści.
- Nie kierować dmuchawy na ludzi ani zwierzęta.
- Nie zdmuchiwać zanieczyszczeń w stronę ludzi lub zwierząt.
- Korzystać z urządzenia wyłącznie w świetle dnia lub przy dobrym oświetleniu sztucznym.
- Nie wkładać dłoni do rury ani worka dmuchawy, dopóki dmuchawa nie zostanie wyłączona i wtyczka zasilania wyjęta z gniazdka zasilania.
- Używać wyłącznie przedłużaczy przeznaczonych do użytku na wolnym powietrzu. Kabel zasilający należy chronić przed nadmiernym gorącej, olejami, rozpuszczalnikami i ostrymi krawędziami.
- Nie używać odkurzacza do usuwania żadnych cieczy.
- Nie zasysać gorących ani palących się materiałów, jak rozżarzone węgle, żar, zapalki, niedawno zgaszone niedopałki papierosów.
- Nigdy nie używać odkurzacza bez prawidłowo zamontowanego worka.
- Regularnie sprawdzać, czy wszystkie śruby i wkręty są dokręcone.
- Operator lub użytkownik jest odpowiedzialny za wypadki i zagrożenia dotyczące innych ludzi lub ich mienia.

- Aby zapobiec podrażnieniom pyłem, zalecamy korzystanie z maski przeciwpyłowej.
- Zawsze kierować kabel do tyłu, z dala od urządzenia.
- Nie przenosić urządzenia za przewód.
- Odłączać urządzenie do zasilania sieciowego:
- Przed usunięciem zatoru.
- przed rozpoczęciem kontroli, czyszczenia i napraw lub regulacji urządzenia,
- jeśli urządzenie zacznie nietypowo wibrować,
- w przypadku pozostawienia narzędzia bez nadzoru.
- Stawać pewnie na pochyłościach.
- Chodzić, a nie biegać z urządzeniem.
- Utrzymywać wszystkie otwory wentylacyjne wolne od resztek i przeszkód.
- Dbać o prawidłowe dokręcenie wszystkich nakrętek i śrub, aby zapewnić sprawność urządzenia.
- Często sprawdzać worek na odpadki pod kątem zużycia lub uszkodzenia.
- Wymieniać zużyte lub uszkodzone części.
- Długie włosy należy związać, aby nie wplątały się w ruchome części narzędzia.
- Przed użyciem jakichkolwiek elektronarzędzi należy najpierw sprawdzić, czy nie ma uszkodzonych części, a jeśli tak, nie należy używać narzędzia przed wymianą części na nowe.
- Stosować wyłącznie oryginalne części zamienne i akcesoria.

### NIEZWŁOCZNIE WYŁĄCZAĆ MASZYNĘ W PRZYPADKU:

- Nadmiernego iskrzenia szczotek węglowych i przepełnienia worka.
- Przerwania wtyczki zasilania sieciowego albo przewodu sieciowego lub uszkodzenia przewodu sieciowego.
- Usterki włącznika.
- Pojawienia się dymu lub zapachu palonej izolacji.

#### Bezpieczeństwo elektryczne



*Zawsze sprawdzać, czy napięcie zasilania jest zgodne z napięciem podanym na tabliczce znamionowej.*

Nie używać urządzenia, jeśli jego kabel zasilający jest uszkodzony lub wtyczka kabla zasilającego jest uszkodzona.

Używać wyłącznie przedłużaczy przystosowanych do pracy z parametrami zasilania urządzenia o minimalnej grubości 1,5 mm<sup>2</sup>. W przypadku korzystania z przedłużacza w zwoju, zawsze całkowicie rozwinąć zwój.

## 2. INFORMACJE O MASZYNIE

### Przeznaczenie

Dmuchawa do liści jest przeznaczona do usuwania liści z ulic, ogrodów i trawników. Wentylator wewnątrz dmuchawy do liści generuje strumień powietrza, którego można używać do zdmuchiwania liści lub wsysania liści do worka na liście.

### DANE TECHNICZNE

Nr modelu	LB501AC
Napięcie	230-240V 50Hz
Pobór mocy	3300 W
Obroty bez obciążenia	14000 rpm
Maks. prędkość powietrza z dmuchawy	270 km/h
Maks. objętość powietrza	13.2 m <sup>3</sup> /min
Stopień zmielenia	10:1
Blower bag capacity	35 L
Ciezar	3.0 kg
Poziom ciśnienia akustycznego L <sub>PA</sub>	84.1dB(A), K=3dB(A)
Poziom mocy akustycznej L <sub>WA</sub>	95.8dB(A), K=2.21 dB(A)
Drgania	7.490m/s <sup>2</sup> , k=1.5m/s <sup>2</sup>

### Poziom drgań

Poziom emisji drgań podany w tej instrukcji obsługi został zmierzony zgodnie ze standaryzowanym testem podanym w normie EN 60745; może on służyć do porównywania narzędzi ze sobą oraz do wstępnego oszacowania ekspozycji na drgania podczas użytkowania narzędzia do podanych zastosowań

- używanie narzędzia do innych zastosowań lub z innymi lub źle konserwowanymi akcesoriami może znacząco zwiększać poziom ekspozycji
- okresy, gdy narzędzie jest wyłączone lub okresy, gdy jest włączone, ale nie pracuje, mogą znacząco zmniejszać poziom ekspozycji

Chronić się przed wpływem drgań, konserwując odpowiednio narzędzie i akcesoria, utrzymując ciepłotę dłoni oraz odpowiednio organizując pracę.

## OPIS

Liczby w tekście odnoszą się do rysunków na Stronach 2-3.

1. Główny uchwyt
2. Uchwyt pomocniczy
3. Kabel sieciowy
4. Zaczep na kabel
5. Włącznik
6. Górna rura
7. Dolna rura
8. Worek odkurzacza
9. Rura wlotowa worka odkurzacza
10. Zacisk mocujący worka na liście
11. Dźwignia przełączania trybu dmuchawa/odkurzacz
12. Hak paska do przenoszenia
13. Mocowanie kółek
14. Kółka
15. Pasek do przenoszenia

## 3. MONTAŻ



*Przed rozpoczęciem montażu zawsze wyłączać maszynę i wyjmować wtyczkę zasilania sieciowego z gniazdka.*

### Montaż rur (Rys. A, B)

- Wkręcić górną rurę (6) na obudowę silnika.
- Wkręcić dolną rurę (7) na górną rurę (6).
- Zamontować dołączone do zestawu mocowanie kółek (13), wsuwając je na dolną rurę (7) po blokadę na dolnej rurze (7). Dokręcać śrubę mocującą, aż mocowanie kółek (13) będzie solidnie zamocowane.
- Nakręcić kółka (14) na mocowanie kółek (13).

### Pasek na ramię (Rys. A)

Przymocować pasek do przenoszenia (15) do haka paska do przenoszenia (12) na uchwycie. Aby dostosować długość paska na ramię, po prostu przesunąć sprzączkę regulacji do przodu lub wstecz.

### Mocowanie worka odkurzacza (Rys. A, C)

Zawsze korzystać z worka odkurzacza (8) podczas korzystania w trybie odkurzacza.

Przymocować hak do górnej części obudowy (9). Nasunąć otwarty koniec worka na rurę (9) i podłączyć z obudową. Przymocować hak do dolnej części obudowy.

Zawsze sprawdzać worek odkurzacza pod kątem oznak uszkodzenia przed każdym użyciem. Małe i ostre przedmioty mogą zostać zassane i, jeśli worek jest uszkodzony lub zużyty, przedmioty te mogą zostać wyrzucone w stronę użytkownika lub innych osób. Może to prowadzić do poważnych obrażeń ciała, dlatego proszę koniecznie przeprowadzać kontrolę. Jeśli worek jest uszkodzony lub silnie zużyty, wymienić go na nowy.

## 4. OBSŁUGA

### Obsługa (Rys. A)

Podłączyć urządzenie do zasilania (lub przedłużacza) i, po przyjęciu wyważonej pozycji, wcisnąć włącznik (5), aby uruchomić urządzenie. Nacisnąć włącznik ponownie, aby wyłączyć urządzenie.

**Uwaga:** Zalecamy korzystanie z wytrzymałego przedłużacza przeznaczonego do użytku na wolnym powietrzu.

Dostosować długość uprząży, aby operator mógł stać prosto, a dmuchawa mogła spoczywać na kółkach podczas użytku. Zmniejszy to obciążenie ramion i pleców. Poruszać narzędzie naprzód i wstecz, a nie na boki.

### Zmiana trybu pracy (Rys. A)

Aby przełączyć tryb pracy, po prostu pociągnąć za dźwignię (11) i ustawić ją w prawidłowym położeniu. Obracać ją zgodnie ze wskazówkami zegara, aby ustawić tryb dmuchawy, lub przeciwnie do wskazówek zegara, aby ustawić tryb odkurzenia (pamiętać o zamocowaniu worka w przypadku odkurzania).

## 5. KONSERWACJA



*Przed rozpoczęciem czyszczenia i konserwacji zawsze wyłączać maszynę i wyjąć wtyczkę zasilania sieciowego z gniazdka.*



Czyścić obudowę maszyny regularnie miękką ściereczką, najlepiej po każdym użyciu. Dopilnować, aby otwory wentylacyjne były wolne od pyłu, kurzu i zabrudzeń. Usuwać oporne zabrudzenia miękką ściereczką zwilżoną mydlinami. Nie używać żadnych rozpuszczalników, takich jak benzyna, alkohol, amoniak itp. Takie substancje chemiczne spowodują uszkodzenie części z tworzyw sztucznych.

## SRODOWISKO



*Uszkodzone i/lub niepotrzebne urządzenia elektryczne lub elektroniczne podlegają zbiórce w odpowiednich punktach recyklingu.*

### Tylko kraje WE

Nie wyrzucac elektronarzędzi wraz z odpadami z gospodarstw domowych. Zgodnie z dyrektywa 2012/19/WE dotycząca zużytych urządzeń elektrycznych i elektronicznych oraz jej wdrożeniem do prawodawstwa krajowego, elektronarzędzia, które już nie nadają się do użytku, podlegają oddzielnej zbiórce oraz utylizacji w sposób przyjazny dla środowiska.

## GWARANCJA

Produkty VONROC są wytwarzane zgodnie z najwyższymi standardami jakości i producent udziela gwarancji na wady materiałowe i wady wykonania na okres wymagany prawem, licząc od dnia zakupu. Jeśli wystąpi usterka produktu w tym okresie spowodowana wadą materiałową i/lub wadą wykonania, proszę bezpośrednio skontaktować się ze sprzedawcą VONROC.

Następujące okoliczności powodują unieważnienie gwarancji:

- Przeprowadzono naprawy lub modyfikacje narzędzia w serwisie innym lub autoryzowany lub podjęto ich próbę;
- Normalne zużycie nie jest objęte gwarancją;
- Narzędzie było używane niezgodnie z przeznaczeniem, źle z nim się obchodzono lub było nieprawidłowo konserwowane;
- Użyto części zamiennych innych niż oryginalne.

Niniejsza gwarancja to wyłączna gwarancja producenta i nie obowiązują żadne inne wyrażone ani dorozumiane gwarancje. Nie obowiązują żadne inne wyrażone ani dorozumiane gwarancje o zakresie

przekraczającym niniejszą gwarancję, co obejmuje dorozumiane gwarancje przydatności do sprzedaży i przydatności do określonego celu. W żadnym przypadku firma VONROC nie ponosi odpowiedzialności za straty przypadkowe lub wynikowe. Zadośćuczynienie sprzedawcy jest ograniczone do naprawy lub wymiany niezgodnych urządzeń lub części.

**Produkt i instrukcja obsługi podlegają zmianom. Dane techniczne podlegają zmianom bez uprzedzenia.**

## 1. INSTRUCȚIUNI DE SIGURANȚĂ

Citiți avertizările de siguranță, avertizările de siguranță suplimentare și instrucțiunile. Nerespectarea avertizărilor de siguranță poate cauza producerea de electrocutări, incendii și/sau răniri grave. Păstrați avertizările de siguranță și instrucțiunile pentru referințe viitoare.

În manualul de utilizare sau pe produs se utilizează următoarele simboluri:



*Citiți manualul de utilizare.*



*Indică riscul de rănire personală, pierderea vieții sau deteriorarea sculei în cazul în care nu se respectă instrucțiunile din acest manual.*



*Pericol de electrocutare.*



*Pericol de proiectare a obiectelor.  
Nu permiteți accesul altor persoane în zona de lucru.*



*A nu se utiliza în ploaie și a nu se lăsa afară atunci când plouă.*



*Purtați ochelari de protecție.  
Purtați protecții antifonice.*



*Avertizare: țineți cont de faptul că ventilatorul se rotește la deschiderea sau închiderea capacului, în special a capacului de admisie.*



*Îndepărtați imediat fișa de la priza de rețea în cazul în care cablul de alimentare se deteriorează în timpul procedurilor de curățare și de întreținere.*



*Mașină din clasa II - Izolație dublă -  
Nu este necesară o priză cu împământare.*



*Nu scoateți din uz produsul în containere neadecvate.*



*Produsul este în conformitate cu standardele de siguranță aplicabile din directivele europene.*

## AVERTISMENTE GENERALE DE SIGURANȚĂ PRIVIND UNELTELE ELECTRICE



### AVERTISMENT!

**Citiți toate avertismentele de siguranță și toate instrucțiunile.** Nerespectarea avertis-

mentelor și instrucțiunilor poate cauza producerea de electrocutări, incendii și/sau răniri grave.

### Păstrați toate avertismentele și instrucțiunile pentru consultare ulterioară.

Termenul „unealtă electrică” din avertismente se referă la scula electrică (cu fir) sau la unealta electrică cu baterie (fără fir).

#### 1) Siguranța zonei de lucru

- a) **Păstrați zona de lucru curată și bine iluminată.** Zonele dezordonate sau întunecate duc la accidente.
- b) **Nu operați uneltele electrice în atmosfere explozive, cum ar fi în prezența lichidelor, gazelor sau pulberilor explozive.** Uneltele electrice generează scânteii care pot aprinde pulberea sau fumurile inflamabile.
- c) **Țineți la distanță copiii și persoanele din jur în timp ce operați o unealtă electrică.** Distragerile vă pot cauza pierderea controlului.

#### 2) Siguranța electrică

- a) **Ștecherile uneltelor electrice trebuie să se potrivească cu priza. Nu modificați niciodată în nici un fel mufele. Nu folosiți adaptoare de priză cu scule electrice legate de pământ (împământate). Mufele nemodificate și prizele adecvate reduc riscul șocului electric.**
- b) **Evitați contactul corpului cu suprafețele împământate precum țevi, radiatoare, cuptoare și frigider.** Există un risc mai mare de electrocutare dacă vă este corpul împământat.
- c) **Nu expuneți uneltele electrice la ploaie sau condiții de umezeală. Apa care pătrunde într-o unealtă electrică va spori riscul de electrocutare.**
- d) **Nu manipulați necorespunzător cablul. Nu folosiți niciodată cordonul pentru a purta, a trage sau a deconecta unealta. Feriți cordonul de căldură, ulei, margini ascuțite sau piese mobile. Cordoane distruse sau încurcate cresc riscul de electrocutare.**
- e) **Atunci când operați o unealtă de lucru în aer liber, utilizați un prelungitor pentru exterior.** Folosirea unui cordon adecvat pentru uzul în aer

*liber scade riscul de electrocutare.*

- f) **În cazul în care operarea unei unelte electrice într-un spațiu cu umiditate nu poate fi evitată, utilizați o alimentare cu protecție pentru dispozitivele de curent rezidual (RCD).** *Utilizarea unui RCD reduce riscul de electrocutare.*

### 3) Siguranța personală

- a) **Fiți precauți, fiți atenți la ceea ce faceți și respectați regulile de bun simț atunci când operați o unealtă electrică. Nu folosiți unealta electrică atunci când sunteți obosit sau sub influența drogurilor, alcoolului sau unui tratament medicamentos.** *Un moment de neatenție în timpul operării uneltelor electrice poate cauza vătămări corporale grave.*
- b) **Utilizați echipamentul de protecție corporală. Purtați întotdeauna protecție pentru ochi.** *Echipamentul de protecție precum masca de praf, pantofii de protecție antiderapați, casca de protecție sau protecția auzului utilizate în condiții adecvate vor reduce rănille personale.*
- c) **Preîntâmpinați pornirea accidentală. Asigurați-vă că comutatorul este în poziția-oprit înainte de a vă conecta la sursa de alimentare și / sau la baterie, de a ridica sau purta instrumentul.** *Purtarea de unelte electrice ținând degetul pe comutator sau alimentarea uneltelor electrice care au comutatorul pornit duce la accidente.*
- d) **Îndepărtați orice cheie sau clește de reglare înainte de a porni unealta electrică.** *Un clește sau o cheie lăsată atașată unei piese rotative a uneltei electrice poate cauza vătămări corporale.*
- e) **Nu vă întindeți pentru a utiliza unealta de lucru. Mențineți-vă întotdeauna stabilitatea și echilibrul.** *Acest lucru permite un control mai bun al uneltei electrice în situații neașteptate.*
- f) **Îmbrăcați-vă corespunzător. Nu purtați haine largi sau bijuterii. Țineți-vă părul, îmbrăcămintea și mânușile departe de piesele mobile.** *Hainele largi, bijuteriile sau părul lung pot fi prinse în părțile mobile.*
- g) **În cazul în care dispozitivele prezintă posibilitatea conectării de accesorii pentru aspirația și colectarea prafului, asigurați-vă că aceste accesorii sunt conectate și utilizate în mod corespunzător.** *Utilizarea colectării prafului poate reduce pericolele legate de praf.*
- h) **Nu lăsați ca obișnuința obținută prin utilizarea frecventă a uneltelor să vă permită să deveniți imposibil și să ignorați principiile de siguranță în**

**utilizarea uneltelor. O acțiune neglijentă poate provoca accidente grave într-o fracțiune de secundă.**

### 4) Utilizarea și îngrijirea uneltelor electrice

- a) **Nu forțați unealta electrică. Utilizați unealta electrică adecvată aplicației dvs.** *Unealta electrică corectă va face munca mai bine și mai sigur la rata pentru care a fost proiectată.*
- b) **Nu utilizați unealta electrică în cazul în care întrerupătorul nu comută în poziția pornit și oprit.** *Orice unealtă electrică care nu poate fi controlată cu comutatorul este periculoasă și trebuie reparată.*
- c) **Deconectați ștecherul de la sursa de alimentare și/sau acumulatorul de la unealta electrică înainte efectuării oricăror reglaje, modificării accesoriilor sau depozitării uneltelor electrice.** *Aceste măsuri preventive de precauție reduc riscul de pornire accidentală.*
- d) **Nu depozitați unelte electrice în stare inactivă la îndemâna copiilor și nu permiteți persoanelor nefamiliarizate cu unealta de lucru sau cu aceste instrucțiuni să o utilizeze.** *Unelte electrice sunt periculoase în mâinile utilizatorilor neinstruiți.*
- e) **Efectuați întreținerea uneltelor electrice. Verificați alinierea sau configurarea greșită a pieselor mobile, ruperea pieselor și orice alte condiții care ar putea afecta funcționarea uneltei electrice.** *În cazul deteriorării, reparați unealta electrică înainte de uz.* *Multe accidente sunt cauzate de unelte electrice slab întreținute.*
- f) **Păstrați uneltele de tăiat ascuțite și curate.** *Uneltele de tăiat corect întreținute cu muchii ascuțite au mai puține șanse să se lege și sunt mai ușor de controlat.*
- g) **Utilizați unealta electrică, accesorii și cuțitele uneltei etc. conform acestor instrucțiuni, ținând cont de condițiile de lucru și de lucrarea ce trebuie să fie efectuată.** *Folosirea uneltei electrice pentru operații diferite decât celea destinate pot cauza o situație periculoasă.*
- h) **Țineți mânerul și suprafețele de prindere uscate, curate și lipsite de ulei și unsoare.** *Mânere și suprafețele de prindere alunecoase nu permit manipularea și controlul uneltei în de siguranță în situații neașteptate.*
- 5) **Utilizarea și îngrijirea uneltelor cu acumulator**
- a) **Reîncărcați folosind exclusiv încărcătorul spe-**

**cificat de către producător.** Dacă un încărcător conceput pentru un anumit tip de acumulatori este folosit cu alt acumulator, acest lucru poate genera risc de incendiu.

- b) **Utilizați uneltele electrice exclusiv împreună cu acumulatorii specificați.** Utilizarea altor acumulatori poate cauza risc de rănire și incendiu.
  - c) **Atunci când nu folosiți acumulatorul, păstrați-l ferit de alte obiecte metalice, precum agrafe de birou, monede, chei, cuie, șuruburi sau alte obiecte metalice mici care pot realiza conexiunea între cele două borne.** Scurtcircuitarea bornelor bateriei poate cauza arsuri sau incendiu.
  - d) **În condiții de utilizare incorectă, este posibil să fie evacuat lichid din baterie; evitați contactul cu acesta. În cazul în care se produce accidental contactul, clătiți cu apă. Dacă lichidul intră în contact cu ochii, solicitați ajutor medical suplimentar.** Lichidul scurs din acumulator poate cauza iritații sau arsuri.
  - e) **Nu folosiți un acumulator sau o unealtă care este deteriorată sau modificată.** Acumulatorii deteriorați sau modificați pot avea un comportament imprevizibil care rezultă în foc, explozie sau risc de rănire.
  - f) **Nu expuneți acumulatorul sau unealta la foc sau temperatură excesivă.** Expunerea la foc sau temperaturi de peste 130 °C poate provoca explozie. **OBSERVAȚIE** Temperatura „130 °C” poate fi înlocuită cu temperatura „265 °F”.
  - g) **Respectați toate instrucțiunile de încărcare și nu încărcați acumulatorul sau unealta în afara intervalului de temperatură specificat în instrucțiuni.** Încărcarea necorespunzătoare sau la temperaturi în afara domeniului specificat poate deteriora acumulatorul și poate crește riscul de incendiu.
- 6) Service**
- a) **Prevedeți repararea uneltei de lucru de către o persoană calificată, folosind exclusiv piese de schimb identice.** Acest lucru va garanta păstrarea în siguranță a uneltei electrice.
  - b) **Niciodată nu servișați acumulatorii deteriorați.** Servisarea acumulatorilor ar trebui să fie efectuată numai de către producător sau furnizorii autorizați de service.

## AVERTIZĂRI DE SIGURANȚĂ SUPLIMENTARE PENTRU SUFLANTĂ/ASPIRATOR

- Eliminați pungile de plastic în condiții de siguranță - acestea reprezintă un pericol de sufocare pentru copiii mici.
- Păstrați zona în care lucrați curată și ordonată. Nu utilizați uneltele electrice în ploaie sau condiții de umezeală.
- Recomandăm cu tărie utilizarea unui RCD (dispozitiv de curent rezidual) de cel mult 30 mA, la ștecher, atunci când utilizați acest aparat.
- Nu utilizați uneltele electrice în locuri în care există un risc de producere a unui incendiu sau a unei explozii - de ex. în apropierea lichidelor sau gazelor inflamabile.
- Nu le permiteți accesul persoanelor, în special copiilor sau animalelor de companie, în zona în care lucrați.
- Nu lăsați copiii sau alte persoane să atingă uneltele electrice.
- Depozitați-o într-un loc uscat, unde copiii nu pot ajunge la aceasta.
- Utilizați întotdeauna ochelari de protecție. Recomandăm, de asemenea, utilizarea dispozitivelor de protecție auditivă.
- Purtați hainele potrivite (pantaloni lungi) - nu haine largi sau bijuterii și asigurați-vă că hainele nu pot intra în contact cu piesele în mișcare.
- Purtați pantofi antiderapați. Nu purtați sandale sau pantofi cu vârful deschis.
- Dacă aveți părul lung, legați-l la spate pentru a evita încurcarea acestuia în componentele în mișcare.
- Înainte de utilizarea oricărei unelte electrice, verificați mai întâi să nu existe componente deteriorate și, dacă găsiți vreuna, nu utilizați unealta înainte ca aceasta să fie înlocuită cu una nouă.
- Nu utilizați uneltele electrice când sunteți obosit sau când ați consumat alcool.
- Nu vă întindeți atunci când lucrați - vă puteți pierde echilibrul.
- După utilizare, trebuie să opriți unealta la întreprinderul de pornire/oprire al acesteia.
- Utilizați acest aparat numai în scopul pentru care a fost conceput - suflarea sau aspirarea frunzelor.
- Nu îndreptați suflanta spre oameni sau animale.
- Nu suflați resturile în direcția oamenilor sau a animalelor.
- Utilizați aparatul numai la lumina zilei sau la o

lumină artificială bună.

- Nu introduceți mâna în interiorul tubului suflantei până când suflanta nu a fost oprită și nu a fost scoasă fișa de la sursa de alimentare.
- Folosiți numai cabluri prelungitoare adecvate pentru utilizare în exterior. Cablul trebuie ținut departe de căldură excesivă, ulei, solvenți și margini ascuțite.
- Nu utilizați aspiratorul pentru îndepărtarea lichidelor.
- Nu aspirați materiale fierbinți sau aprinse, de exemplu, jar, chibrituri, mucuri de țigară abia stinse.
- Nu utilizați aspiratorul dacă sacul nu este bine fixat.
- Verificați periodic dacă toate bolțurile și șuruburile sunt strânse.
- Operatorul sau utilizatorul este responsabil pentru accidentele sau pericolele care apar la alte persoane sau proprietatea acestora.
- Pentru a preveni iritarea provocată de praf, vă recomandăm să purtați o mască de față.
- Dirijați întotdeauna cablul în partea din spate a aparatului.
- Nu transportați aparatul trăgând de cablu.
- Deconectați aparatul de la sursa de alimentare înainte de eliminarea unui blocaj.
- Înainte de a verifica, curăța sau întreține aparatul.
- Dacă aparatul începe să vibreze anormal.
- Ori de câte ori păreșiți mașina.
- Asigurați-vă că adoptați o poziție stabilă, mai ales când lucrați în pantă.
- Mergeți și nu alergați niciodată.
- Păstrați toate intrările de aer de răcire fără de resturi sau obstrucții.
- Păstrați toate piulițele, șuruburile și buloanele strânse pentru a vă asigura că echipamentul se află în stare bună de funcționare.
- Verificați frecvent cutia de iarbă pentru urme de uzură sau deteriorare.
- Înlocuiți piesele uzate sau defecte.
- Utilizați numai piese și accesorii originale.

Oprți mașina imediat dacă observați:

- Scântei excesive ale periiilor de cărbune și dezordine în colector.
- Întreruperea fișei, a cablului de rețea sau deteriorarea cablului de rețea.
- Comutatorul este defect.
- Fum sau miros cauzat de izolația arsă.

### Instrucțiuni de siguranță privind alimentarea electrică



Verificați întotdeauna ca tensiunea de la alimentarea cu energie să corespundă tensiunii de pe plăcuța cu etichetă specificații.

- Nu utilizați aparatul în cazul în care cablul de alimentare sau ștecherul este deteriorat sau defect.
- Folosiți numai cabluri prelungitoare adecvate pentru puterea mașinii cu o grosime minimă de 1,5 mm<sup>2</sup>. Dacă utilizați o bobină de cablu de extensie, derulați întotdeauna complet cablul.

## 2. INFORMAȚII CU PRIVIRE LA MAȘINĂ

### Destinația de utilizare

Suflanta de frunze este concepută pentru a îndepărta frunzele de pe stradă, grădină și gazon. Un ventilator din interiorul suflantei de frunze produce un debit de aer, care poate fi folosit pentru a sufla frunzele sau pentru a aspira frunzele în sacul colector.

### SPECIFICAȚII TEHNICE

Nr. model	LB501AC
Tensiune	230-240V 50Hz
Putere de intrare	3300W
Turație la mers în gol	14000 rpm
Viteza max. a suflantei	270 km/h
Volumul max. de aer	13,2 m <sup>3</sup> /min
Raportul de mărunțire	10:1
Capacitatea sacului suflantei	35 L
Greutate	3,0 kg
Nivelul presiunii acustice (Lpa)	84,1 dB(A), K=3dB(A)
Nivelul de putere acustică (Lwa)	95,8 dB(A), K=2,21dB(A)
Vibrație	7,490m/s <sup>2</sup> , k=1,5m/s <sup>2</sup>

### Nivelul vibrațiilor

Nivelul emisiilor de vibrații menționat în acest manual de instrucțiuni a fost măsurat în conformitate cu un test standardizat precizat în EN60745; poate fi folosit pentru a compara o sculă cu alta și ca evaluare preliminară a expunerii la vibrații atunci când folosiți scula pentru aplicațiile menționate.

- Utilizarea uneltei pentru aplicații diferite sau cu accesorii diferite și prost întreținute poate crește semnificativ nivelul de expunere.
- Momentele în care scula este oprită sau când funcționează dar nu execută nicio lucrare, pot reduce semnificativ nivelul de expunere.

Protejați-vă împotriva efectelor vibrațiilor prin întreținerea sculei și a accesoriilor sale, păstrând mâinile calde și organizând procesele de lucru.

## DESCRIERE

Numerele din text se referă la diagramele de la paginile 2-3.

1. Mâner principal
2. Mâner auxiliar
3. Cablu de alimentare
4. Cârlig pentru cablu
5. Comutator pornire/oprire
6. Tub superior
7. Tub inferior
8. Sac aspirator
9. Tub de admisie sac aspirator
10. Clemă de prindere sac pentru frunze
11. Manetă opțiune suflantă/aspirator
12. Cârlig pentru cureaua de umăr
13. Suport roți
14. Roți
15. Curea de transport

## 3. ASAMBLAREA



*Înainte de asamblare, opriți alimentarea electrică a mașinii și deconectați fișa cablului de alimentare de la priza de rețea.*

### Asamblarea tuburilor (Fig. A, B)

- Înșurubați tubul superior (6) în carcasa motorului.
- Înșurubați secțiunea tubului inferior (7) în tubul superior (6).
- Montați suportul pentru roți inclus (13) prin introducerea acestuia în secțiunea tubului inferior (7), până la opritorul prevăzut la tubul inferior (7). Înșurubați șurubul de montare până când suportul pentru roți (13) este bine fixat.
- Înșurubați roțile (14) în suportul pentru roți (13).

### Curea pentru umăr (Fig. A)

Atașați centura de transport (15) la cârligul curelei pentru umăr (12) de pe mâner. Pentru a regla cureaua pentru umăr la lungimea dorită, glisați pur și simplu catarama curelei reglabile înainte și înapoi.

### Atașarea sacului colector (Fig. A, C)



*Utilizați întotdeauna sacul colector (8), atunci când folosiți modul aspirator.*

Atașați cârligul la partea superioară a carcasei (9). Glisați capătul deschis al sacului colector peste tub (9) și conectați-l la carcasă. Atașați cârligul la partea inferioară a carcasei.



*Înainte de fiecare utilizare, verificați întotdeauna sacul aspiratorului cu privire la semne de deteriorare. Obiectele mici și ascuțite pot fi aspirate și aruncate în direcția dvs. sau a altor persoane, dacă sacul este deteriorat sau uzat. Acest lucru ar putea cauza vătămări grave, prin urmare, sacul trebuie verificat. Dacă sacul dvs. este deteriorat sau uzat excesiv, vă rugăm să îl înlocuiți cu unul nou.*

## 4. OPERAREA

### Operarea (Fig. A)

Conectați aparatul la sursa de alimentare (sau cablul prelungitor) și, atunci când sunteți pregătit și într-o poziție stabilă, apăsați butonul PORNIRE/OPRIRE (5), pentru a-l porni. Apăsăți din nou pentru a-l opri.

Notă: Vă recomandăm să utilizați un cablu prelungitor rezistent pentru exterior.

Modificați lungimea hamului, astfel încât să puteți avea o poziție dreaptă și suflanta să se sprijine pe roți în timpul utilizării. Astfel, greutatea de pe umeri și spate va fi redusă. Utilizați aparatul deplasându-l înainte și înapoi, nu în lateral.

### Schimbarea modului de operare (Fig. A)

Dacă doriți să comutați de la un mod la altul, pur și simplu trageți maneta pentru opțiuni (11), în funcție de nevoia dvs. Rotiți-o în sens orar pentru modul suflantă și în sens antiorar pentru modul aspirator (amintiți-vă să atașați sacul dacă doriți să folosiți modul aspirator).

## 5. ÎNTREȚINERE



*Înainte de curățare și întreținere, opriți alimentarea electrică a aparatului și deconectați fișa cablului de alimentare de la priza de rețea.*

Curățați regulat carcasa cu o cârpă moale, de preferat după fiecare utilizare. Curățați fantele de aerisire de praf și murdărie. Îndepărtați murdăria persistentă cu o cârpă moale înmuiată în clăbuci de săpun. Nu folosiți solvenți precum benzină, alcool, amoniac etc. Astfel de substanțe chimice vor deteriora componentele sintetice.

### MEDIU



*Aparatele electrice sau electronice deteriorate și/sau defecte trebuie colectate în locurile de reciclare corespunzătoare.*

#### Numai pentru țările din CE

Nu aruncați echipamentele acționate electric împreună cu gunoiul menajer. Conform Directivei europene 2012/19/CE pentru echipamente electrice și electronice uzate și a implementării sale la nivel național, echipamentele acționate electric scoase din uz trebuie colectate separat și evacuate într-o manieră ecologică.

## GARANȚIE

Produsele VONROC sunt realizate la cele mai înalte standarde de calitate și sunt garantate în privința materialelor și a manoperei pentru întreaga perioadă de utilizare în garanție, începând cu data achiziției. În cazul în care produsul prezintă defecțiuni în perioada de garanție din cauza materialului defect și/sau a manoperei, contactați direct VONROC.

Următoarele circumstanțe sunt excluse de la această garanție:

- Reparațiile sau modificările care realizate sau care s-au încercat a fi efectuate de centre de service neautorizate;
- Uzura în condiții normale de utilizare;
- Unealta care a fost abuzată, utilizată într-un mod neglijent sau întreținută în mod inadecvat;
- Folosirea unor piese de schimb neoriginale.

Această acoperă garanția companiei, explicită sau implicită. Nu există alte garanții explicite sau implicite care să se extindă dincolo de cele indicate aici, incluzând garanțiile, vandabilitatea sau adecvarea pentru un anumit scop. În nicio situație, VONROC nu este responsabil pentru daunele incidentale sau consecvențiale. Reparațiile efectuate de reprezentant trebuie să fie limitate la reparațiile sau la înlocuirea unităților sau a pieselor neconforme.

**Produsul și manualul de utilizare pot suferi modificări. Specificațiile se pot modifica fără notificare prealabilă.**

## 1. INSTRUÇÕES DE SEGURANÇA

Leia os avisos de segurança fornecidos, os avisos de segurança adicionais e as instruções. O não cumprimento dos avisos de segurança e das instruções pode resultar em choque eléctrico, incêndio e/ou ferimentos graves. Guarde os avisos de segurança e as instruções para referência futura.

Os seguintes símbolos são utilizados no manual do utilizador ou no produto:



*Leia o manual do utilizador.*



*Indica o risco de ferimentos, morte ou danos na ferramenta se as instruções indicadas neste manual não forem seguidas.*



*Risco de choque eléctrico.*



*Risco de projecção de objectos. Mantenha os passantes afastados da área de trabalho.*



*Não utilize à chuva nem deixe-o ao ar livre quando estiver a chover.*



*Use óculos de segurança.  
Use protecção auricular.*



*Atenção: a ventoinha continua a rodar quando abre ou fecha a tampa. Tenha cuidado, especialmente na tampa de entrada.*



*Retire de imediato a ficha da rede eléctrica se o cabo de alimentação sofrer danos e durante a limpeza e manutenção.*



*Máquina de classe II - isolamento duplo - Não é necessária uma ficha de ligação à terra.*



*Não elimine o produto em recipientes não adequados.*



*O produto está em conformidade com as normas de segurança aplicáveis nas directivas europeias.*

## AVISOS GERAIS DE SEGURANÇA SOBRE A FERRAMENTA ELÉCTRICA



### ATENÇÃO!

*Leia todos os avisos de segurança e instruções.* O não cumprimento dos avisos de segurança e as instruções podem resultar em choque eléctrico, incêndio e/ou ferimentos graves.

### Guarde todos os avisos e instruções para referência futura.

O termo “ferramenta eléctrica” indicado nos avisos diz respeito à ferramenta eléctrica com alimentação pela rede (com fio) ou por bateria (sem fio).

#### 1) Segurança na área de trabalho

- a) **Mantenha a área de trabalho limpa e devidamente iluminada.** As áreas obstruídas ou escuras são propícias a acidentes.
- b) **Não utilize ferramentas eléctricas em atmosferas explosivas, por exemplo, na presença de líquidos, gases ou poeiras inflamáveis.** As ferramentas eléctricas produzem faíscas que podem causar ignição de poeiras ou vapores.
- c) **Quando utilizar uma ferramenta eléctrica, mantenha as crianças e transeuntes afastados.** As distrações podem causar perda de controlo.

#### 2) Segurança eléctrica

- a) **As fichas da ferramenta eléctrica devem corresponder à tomada. Nunca modifique, de forma alguma, a ficha. Não utilize quaisquer fichas adaptadoras com ferramentas eléctricas ligadas à terra (massa).** As fichas e tomadas correspondentes não modificadas reduzem o risco de choque eléctrico.
- b) **Evite o contacto do corpo com superfícies ligadas à terra ou massa, como tubos, radiadores, fogões ou frigoríficos.** Há um maior risco de choque eléctrico se o corpo estiver ligado à terra ou à massa.
- c) **Não exponha as ferramentas eléctricas à chuva ou a ambientes húmidos.** A entrada de água numa ferramenta eléctrica aumenta o risco de choque eléctrico.
- d) **Não utilize o cabo de maneira abusiva. Nunca utilize o cabo para transportar, puxar ou desligar a ferramenta eléctrica. Mantenha o cabo afastado de fontes de calor, óleo, extremidades afiadas ou peças móveis.** Cabos danificados ou enrolados aumenta o risco de choque eléctrico.



- e) **Quando utilizar uma ferramenta eléctrica no exterior, opte por uma extensão adequada para utilização no exterior.** *A utilização de um cabo adequado para utilização no exterior reduz o risco de choque eléctrico.*
- f) **Se não for possível evitar trabalhar com uma ferramenta eléctrica num local húmido, utilize uma fonte de alimentação protegida por um dispositivo de corrente residual (DCR).** *A utilização de um DCR reduz o risco de choque eléctrico.*
- 3) Segurança eléctrica**
- a) **Esteja atento, preste atenção ao que está a fazer e tenha senso comum quando utilizar uma ferramenta eléctrica.** *Não utilize uma ferramenta eléctrica quando estiver cansado ou sob o efeito de drogas, álcool ou medicamentos. Um momento de distração durante a utilização de ferramentas eléctricas pode resultar em ferimentos graves.*
- b) **Use equipamento de protecção individual. Use sempre protecção ocular.** *O equipamento de protecção, como, por exemplo, máscara de poeiras, sapatos de segurança antiderrapantes, capacete de segurança ou protecção auditiva, utilizado nas condições adequadas, reduz o risco de ferimentos.*
- c) **Evite accionamentos acidentais. Assegure-se de que o gatilho está desligado antes de ligar a ferramenta à corrente eléctrica e/ou as baterias e antes de levantar ou transportar a ferramenta.** *O transporte de ferramentas eléctricas com o dedo colocado no interruptor ou a ligação à corrente das ferramentas eléctricas com o interruptor ligado pode dar origem a acidentes.*
- d) **Retire eventuais chaves de ajuste ou chaves de fendas antes de ligar a ferramenta eléctrica.** *Uma chave de fenda ou de ajuste montada numa peça rotativa da ferramenta eléctrica pode causar ferimentos.*
- e) **Não tente chegar a pontos fora do alcance. Mantenha-se sempre numa posição firme e bem equilibrada.** *Desta forma, será mais fácil controlar a ferramenta eléctrica em situações inesperadas.*
- f) **Use vestuário adequado. Não use roupa larga ou jóias. Mantenha o cabelo, a roupa e as jóias afastados das peças móveis.** *As roupas largas, as jóias ou o cabelo comprido podem ficar presos nestas peças.*
- g) **Se for prevista a montagem de dispositivos de extracção e recolha, assegure-se de que estão ligados e que são utilizados de maneira correcta.** *A utilização de dispositivos de extracção de poeiras pode reduzir os riscos inerentes.*
- h) **Não permita que a familiaridade obtida através do uso frequente de ferramentas faça com que seja complacente e ignore os princípios de segurança da ferramenta.** *Uma acção irreflectida pode causar ferimentos graves numa fracção de segundos.*
- 4) Utilização e cuidados a ter com a ferramenta com baterias**
- a) **Não sobrecarregue a ferramenta eléctrica. Utilize a ferramenta eléctrica correcta para o seu trabalho.** *A ferramenta eléctrica adequada efectua o trabalho de maneira mais eficiente e segura se for utilizada de acordo com a capacidade para a qual foi concebida.*
- b) **Não utilize a ferramenta eléctrica se não conseguir ligar ou desligar o gatilho.** *Qualquer ferramenta eléctrica que não possa ser controlada através do gatilho é perigosa e tem de ser reparada.*
- c) **Retire a ficha da fonte de alimentação e/ou a bateria da ferramenta eléctrica, antes de efectuar quaisquer ajustes, substituir acessórios ou guardar ferramentas eléctricas.** *Estas medidas de segurança preventivas reduzem o risco de ligar a ferramenta eléctrica acidentalmente.*
- d) **Mantenha as ferramentas eléctricas que não estiverem a ser utilizadas fora do alcance das crianças.** *Não permita que a ferramenta eléctrica seja utilizada por pessoas não familiarizadas com a mesma ou que não tenham lido estas instruções. As ferramentas eléctricas são perigosas nas mãos de pessoas que não possuam as qualificações necessárias para manuseá-las.*
- e) **Faça a manutenção das ferramentas eléctricas. Verifique se as peças móveis da ferramenta eléctrica estão alinhadas e não emperram, bem como se existem peças partidas ou danificadas ou quaisquer outras condições que possam afectar o funcionamento da mesma.** *Se a ferramenta eléctrica estiver danificada, esta não deve ser utilizada até que seja reparada. Muitos acidentes têm como principal causa ferramentas eléctricas com uma manutenção insuficiente.*
- f) **Mantenha as ferramentas de corte afiadas e limpas.** *As ferramentas de corte sujeitas a uma*

manutenção adequada, com arestas de corte afiadas, bloqueiam com menos frequência e controlam-se com maior facilidade.

- g) **Utilize a ferramenta eléctrica, os acessórios e as peças de ferramenta, etc., de acordo com estas instruções, considerando as condições de trabalho e a tarefa a ser executada.** A utilização da ferramenta eléctrica para fins diferentes dos previstos pode resultar em situações perigosas.
- h) **Mantenha as pegas e as superfícies de fixação secas, limpas e sem óleo e gordura.** As pegas escorregadias e as superfícies de fixação não permitem o manuseamento seguro e o controlo da ferramenta em situações imprevistas.

#### 5) Utilização e cuidados a ter com a ferramenta com baterias

- a) **Recarregue apenas com o carregador especificado pelo fabricante.** Um carregador adequado para um tipo de bateria pode causar um incêndio se for utilizado com outra bateria.
- b) **Utilize apenas ferramentas eléctricas que tenham pilhas especificamente concebidas.** A utilização de outro tipo de baterias pode causar lesões e incêndio.
- c) **Quando não utilizar a bateria, mantenha-a afastada de outros objectos metálicos, tais como cliques para papel, moedas, chaves, pregos, parafusos ou outros pequenos objectos metálicos que permitam fazer a ligação entre um terminal e outro.** O curto-circuito dos terminais da bateria pode causar queimaduras ou um incêndio.
- d) **Em condições abusivas, pode derramar líquido da bateria, devendo evitar o contacto. Se tocar acidentalmente no líquido, lave bem com água. Se o líquido entrar em contacto com os olhos, consulte um médico.** O líquido derramado da bateria pode causar irritação ou queimaduras.
- e) **Não utilize baterias ou ferramentas danificadas ou modificadas.** As baterias danificadas ou modificadas podem ter um comportamento inesperado, resultando em incêndio, explosão ou risco de ferimentos.
- f) **Não exponha as baterias ou as ferramentas a fogo ou a temperaturas excessivas.** A exposição a fogo ou a temperaturas superiores a 130 °C podem causar uma explosão. **NOTA:** a temperatura "130 °C" pode ser substituída pela temperatura "265 °F".
- g) **Siga todas as instruções de carregamento**

**e não carregue a bateria ou ferramenta fora do intervalo de temperaturas especificado nas instruções.** O carregamento inadequado ou de acordo com temperaturas fora do intervalo especificado pode danificar a bateria e aumentar o risco de incêndio.

#### 6) Assistência

- a) **A sua ferramenta eléctrica só deve ser reparada por pessoal qualificado e só devem ser utilizadas peças sobressalentes idênticas.** Desta forma, é garantida a segurança da ferramenta eléctrica.
- b) **Nunca repare baterias danificadas.** A reparação de baterias deve ser efectuada apenas pelo fabricante ou fornecedores de assistência autorizados.

#### AVISOS DE SEGURANÇA ADICIONAIS PARA SOPRADORES/ASPIRADORES

- Elimine os sacos de plástico em segurança, são perigosos para as crianças porque há o risco de asfixia.
- Mantenha a área de trabalho limpa e arrumada. Não exponha as ferramentas eléctricas à chuva ou a ambientes húmidos.
- Recomendamos vivamente a utilização de um DCR (Dispositivo de corrente residual) com uma amperagem não superior a 30 mA na tomada quando utilizar este equipamento.
- Não utilize ferramentas eléctricas se houver o risco de incêndio ou explosão, ou seja, perto de líquidos ou gases inflamáveis.
- Não permita a entrada de pessoas, em especial de crianças ou animais de estimação, na área onde está a trabalhar.
- Não permita que crianças ou outras pessoas toquem em ferramentas eléctricas.
- Armazene-as num local seco, fora do alcance das crianças.
- Utilize sempre óculos de segurança. Recomendamos também o uso de protecção auricular.
- Use roupa adequada (calças compridas). Não use roupa larga ou jóias. A roupa não pode entrar em contacto com peças móveis.
- Use sapatos antiderrapantes. Não use sandálias ou sapatos abertos.
- Se tem o cabelo comprido, prenda-o em segurança, para evitar que fique emaranhado em peças móveis.
- Antes de utilizar qualquer ferramenta eléctrica

ca, verifique se existem peças danificadas. Se houver, só deve utilizar a ferramenta depois de substituir a peça ou peças por novas.

- Não utilize ferramentas eléctricas se estiver cansado ou tiver consumido álcool.
- Não se estique demasiado quando estiver a trabalhar, porque pode perder o equilíbrio.
- Depois de utilizar a ferramenta, deve desligá-la com o interruptor para ligar/desligar.
- Utilize este equipamento apenas para a finalidade para a qual foi concebida, ou seja, para soprar ou aspirar folhas.
- Não aponte o soprador para pessoas ou animais.
- Não sopre resíduos na direcção de pessoas ou animais.
- Só deve utilizar o equipamento com luz natural ou se houver luz artificial adequada.
- Só pode colocar a mão dentro do tubo do aspirador depois de desligá-lo e retirar a ficha da fonte de alimentação.
- Utilize apenas extensões que sejam adequadas para utilização ao ar livre. A extensão deve ser mantida afastada de excesso de calor, óleo, solventes e arestas afiadas.
- Não mergulhe a unidade dentro de qualquer tipo de líquido.
- Não aspire materiais quentes ou ardentes, ou seja, carvão incandescente, fósforos, beatas de cigarro apagadas recentemente.
- Nunca utilize o aspirador sem o saco devidamente montado.
- Inspeccione periodicamente se todas as cavilhas e parafusos estão apertados.
- O operador ou o utilizador são responsáveis por acidentes ou riscos que ocorram noutras pessoas ou propriedade.
- Para evitar irritação causada pelo pó, recomendamos o uso de máscara facial.
- Afaste sempre o cabo da parte de trás do equipamento.
- Não transporte o equipamento pelo cabo.
- Desligue o equipamento da fonte de alimentação.
- Antes de retirar um objecto obstruído.
- Antes de verificar, limpar ou efectuar a manutenção do equipamento.
- Se o equipamento começar a vibrar de maneira anormal.
- Sempre que deixar de utilizar a máquina.
- Coloque sempre numa posição equilibrada em declives.
- Ande, nunca corra.

- Retire os resíduos e objectos obstruídos das entradas de ar de arrefecimento.
- Mantenha todas as porcas, cavilhas e parafusos apertados para garantir que o equipamento está em boas condições de funcionamento.
- Verifique com frequência se o sistema de recolha de resíduos apresenta sinais de desgaste ou deterioração.
- Substitua as peças gastas ou danificadas.
- Utilize apenas acessórios e peças sobresselentes originais.

Desligue a máquina de imediato se:

- As escovas de carbono produzirem muitas faíscas ou houver demasiados resíduos no sistema de recolha.
- Interrupção da ficha, cabo de rede ou danos no cabo de rede.
- Interruptor defeituoso.
- Fumo ou mau cheiro proveniente do isolamento queimado.

### Segurança eléctrica



*Verifique sempre se a tensão da fonte de alimentação corresponde à tensão indicada na etiqueta da placa sinalética.*

- Não utilize a máquina se o cabo de alimentação ou a ficha estiver danificada.
- Utilize apenas extensões que sejam adequadas para a potência nominal da máquina com uma espessura mínima de 1,5 mm<sup>2</sup>. Se utilizar um enrolador de extensão, desenrole sempre o cabo por completo.

## 2. INFORMAÇÕES SOBRE A MÁQUINA

### Utilização pretendida

Os sopradores de folhas são concebidos para retirar folhas de ruas, jardins e relvados. A ventoinha no interior do soprador de folhas gera fluxo de ar, que pode ser utilizado para soprar folhas ou aspirar folhas para o saco de recolha.

## ESPECIFICAÇÕES TÉCNICAS

Modelo n.º	LB501AC
Tensão	230 - 240 V, 50 Hz
Potência de entrada	3300 W
Sem velocidade de carga	14 000 rpm
Velocidade máx. do soprador	270 km/h
Volume máx. do ar	13,2 m³/min
Relação de retalhamento	10:1
Capacidade do saco do soprador	35 l
Peso	3,0 kg
Nível de pressão sonora (Lpa)	84,1 dB (A), K=3 dB (A)
Nível de potência sonora (Lwa)	95,8 dB (A), K=2,21 dB (A)
Vibração	7,490m/s², k = 1,5 m/s²

### Nível de vibração

O nível de emissão de vibrações indicado neste manual de instruções foi medido em conformidade com um teste padrão especificado pela norma EN60745. Pode ser utilizado para comparar ferramentas e como avaliação preliminar da exposição a vibrações quando utilizar a ferramenta para as aplicações indicadas.

- A utilização da ferramenta para aplicações diferentes, ou com acessórios diferentes ou com uma manutenção deficiente, pode aumentar consideravelmente o nível de exposição.
- O número de vezes que a ferramenta é desligada ou está ligada, mas não está a ser utilizada, pode reduzir significativamente o nível de exposição.

Proteja-se contra os efeitos da vibração, através de uma manutenção da ferramenta e dos respectivos acessórios, mantendo as mãos quentes e organizando os seus padrões de trabalho.

### DESCRIÇÃO

Os números indicados no texto dizem respeito aos diagramas nas páginas 2-3.

1. Pega principal
2. Pega auxiliar
3. Cabo de alimentação
4. Gancho do cabo
5. Interruptor para ligar/desligar

6. Tubo superior
7. Tubo inferior
8. Saco do aspirador
9. Tubo de entrada do saco do aspirador
10. Clipe de fixação do saco da folhas
11. Alavanca opcional para soprar/aspirar
12. Gancho do cinto de transporte
13. Suporte das rodas
14. Rodas
15. Correia de transporte

## 3. MONTAGEM



Antes de efectuar a montagem, desligue sempre a máquina e retire a ficha da tomada de corrente.

### Montagem dos tubos (Fig. A, B)

- Aperte o tubo superior (6) na caixa do motor.
- Aperte a secção do tubo inferior (7) no tubo superior (6).
- Monte o suporte das rodas incluído (13), deslizando-o na secção do tubo inferior (7) até à paragem previsível no tubo inferior (7). Aperte o parafuso de fixação até o suporte das rodas (13) ser apertado com firmeza.
- Aperte as rodas (14) no suporte das rodas (13).

### Alça para o ombro (Fig. A)

Monte a correia de transporte (15) no gancho da alça de ombro (12) na pega. Para regular a alça de ombro para o comprimento pretendido, basta deslizar a fivela da alça regulável para a frente ou para trás.

### Montar o saco de recolha (Fig. A, C)



Quando utilizar o modo de vácuo, utilize o saco de recolha (8).

Fixe o gancho da parte superior da caixa (9). Deslize a extremidade aberta do saco de recolha sobre o tubo (9) e ligue-o à caixa. Fixe o gancho na parte inferior da caixa.



Verifique sempre se o saco apresenta sinais de danos antes de cada utilização. Os objectos pequenos e afiados podem ser aspirados e se o saco apresentar danos ou desgaste, os objectos podem ser projectados na sua direcção ou na direcção de outras pessoas. Isto pode causar ferimentos

*graves, por isso faça esta verificação. Se o seu saco estiver danificado ou muito desgastado, substitua-o por um novo.*

## 4. FUNCIONAMENTO

### Funcionamento (Fig. A)

Ligue o equipamento à rede (ou à extensão) e quando estiver pronto e devidamente equilibrado, carregue no botão para ligar/desligar (5) e é iniciado. Carregue de novo para desligá-lo.

Nota: Recomendamos a utilização de uma extensão para exterior de uso intensivo.

Altere o comprimento do arnês para que possa sentar-se direito e permita que o soprador fique apoiado nas respectivas rodas quando estiver a ser utilizado. Isto torna a carga mais leve nos seus ombros e costas. Utilize para a frente e para trás, e não para os lados.

### Alterar o modo de funcionamento (Fig. A)

Se quiser alternar entre modos, basta puxar a alavanca opcional (11) para adequar-se aos seus requisitos. Rode-a para a direita para o modo de soprador e para a esquerda para o modo de aspirador (se utilizar o modo de vácuo, encaixe o saco).

## 5. MANUTENÇÃO



*Antes de efectuar a limpeza e a manutenção, desligue sempre a máquina e retire a ficha de alimentação da tomada de corrente.*

Limpe a caixa da máquina com regularidade com um pano macio, de preferência após cada utilização. Certifique-se de que as aberturas de ventilação não têm pó ou sujidade. Retire a sujidade muito persistente com um pano macio humedecido com água de sabão. Não utilize solventes, como gasolina, álcool, amoníaco, etc. Este tipo de produtos químicos danificam os componentes sintéticos.

## AMBIENTE



*Os equipamentos eléctricos ou electrónicos defeituosos e/ou eliminados devem ser recolhidos em locais de reciclagem adequados.*

### Apenas para os países da CE

Não elimine as ferramentas eléctricas em conjunto com os resíduos domésticos. De acordo com a directiva europeia 2012/19/CE sobre resíduos de equipamentos eléctricos e electrónicos e a respectiva implementação na legislação nacional, as ferramentas eléctricas que já não sejam utilizadas devem ser recolhidas em separado e eliminadas de maneira ecológica.

## GARANTIA

Os produtos da VONROC são desenvolvidos de acordo com os padrões de qualidade mais elevados e não apresentam quaisquer defeitos em termos de materiais e mão-de-obra em relação ao período estipulado por lei, cujo início é a partir da data de compra original. Se o produto apresentar qualquer falha durante este período devido a qualquer defeito no material e/ou de mão-de-obra, contacte a VONROC directamente.

As seguintes circunstâncias estão excluídas desta garantia:

- Se forem efectuadas ou tentadas quaisquer reparações e/ou alterações na máquina por centros de assistência não autorizados;
- Desgaste normal;
- Se a ferramenta foi utilizada de maneira abusiva, indevida ou a manutenção for efectuada de maneira incorrecta;
- Se forem utilizadas peças sobresselentes não originais.

Isto constitui a única garantia feita pela empresa, de maneira expressa ou implícita. Não existem quaisquer outras garantias expressas ou implícitas que se prolonguem, incluindo as garantias implícitas de comercialização e adequação para fins específicos. A VONROC não será, em nenhuma circunstância, responsável por danos incidentais ou indirectos. Os fornecedores devem estar limitados a reparar ou substituir as unidades ou peças que não estejam em conformidade.

**O equipamento e o manual do utilizador estão sujeitos a alterações sem aviso prévio. As especificações podem ser alteradas sem aviso prévio.**

## 1. BIZTONSÁGI UTASÍTÁSOK

Olvassa el az összes mellékelt biztonsági figyelmeztetést. A figyelmeztetések és utasítások be nem tartása áramütéshez, tűz keletkezéséhez vagy akár súlyos személyi sérüléshez vezethet. Őrizze meg a biztonsági figyelmeztetéseket és utasításokat későbbre is.

A használati útmutatóban és a terméken a következő jelölésekkel találkozhat:



*Olvassa el a használati útmutatót.*



*Jelzi a személyi sérülések, az életveszély vagy a szerszám károsodásának veszélyét a jelen útmutató utasításainak be nem tartása esetén.*



*Áramütés veszélye.*



*Repülő tárgyak veszélye. Ne engedje a munkaterületre a közelben tartózkodókat.*



*Ne használja esős időben, illetve ne hagyja a szabadban, ha esik az eső.*



*Viseljen biztonsági szemüveget. Vegyen fel hallásvédelmet.*



*Figyelmeztetés: a ventilátor még mindig forog, amikor kinyitja vagy bezárja a fedelet, legyen óvatos, különösen a bemeneti fedél esetében.*



*Azonnal húzza ki a hálózati csatlakozódugót, ha a kábel megsérült, amikor takarít és, ha karbantartást végez.*



*II. osztályú gép - Dupla szigetelés - Nincs szükség földelt csatlakozódugóra.*



*A terméket hulladékként ne tegye arra nem alkalmas konténerbe.*



*A termék megfelel az európai irányelvek rá vonatkozó biztonsági követelményeinek.*

## A SZERSZÁMGÉPRE VONATKOZÓ ÁLTALÁNOS BIZTONSÁGI FIGYELMEZTETÉSEK



### FIGYELMEZTETÉS!

*Olvasson el minden biztonsági figyelmeztetést és utasítást.* A biztonsági figyelmeztetések és útmutatások be nem tartása áramütést, tüzet és/vagy súlyos sérülést okozhat.

**Az összes figyelmeztetést és utasítást őrizze meg, mert később még szüksége lehet rájuk.**

A figyelmeztetésekben szereplő „elektromos szerszám” kifejezés az Ön hálózatról működő (vezeték) elektromos szerszámára vagy akkumulátorral működő (vezeték nélküli) elektromos szerszámára utal.

### 1) A munkaterület biztonsága

- Gondoskodjon a munkaterület tisztaságáról és megfelelő megvilágításáról.** A rendezetlen és sötét területeken valószínűbb a balesetek előfordulása.
- Ne használja az elektromos szerszámokat robbanásveszélyes légterben, például ahol gyúlékony folyadékok, gázok vagy por vannak jelen.** Az elektromos szerszámok használata során keletkező szikra lángra lobbanthatja a port és füstöt.
- A szerszám gép használata során a gyermekeket és a közelben tartózkodó személyeket tartsa távol a munkaterülettől.** Ha valami eltereli a figyelmét, elveszítheti az irányítást.

### 2) Elektromos biztonság

- Az elektromos szerszám dugóinak megfelelőnek kell lenniük az aljzathoz. Soha ne próbálja semmilyen módon módosítani a dugót. Földelt elektromos szerszámokhoz ne használjon semmilyen adapterdugót.** Az eredeti (értsd: módosítás nélküli) dugók és megfelelő hálózati aljzatok használatával mérsékelhető az elektromos áramütés veszélye.
- Ügyeljen arra, hogy teste ne érintkezzen földelt felületekkel, például csövezetekkel, radiátorral, tűzhellyel vagy hűtőszekrényvel.** Ha teste földelődik, megnő az áramütés kockázata.
- Óvja az elektromos szerszámokat az esőtől és nedves környezettől.** A szerszám gépbe kerülő víz növeli az elektromos áramütés veszélyét.
- Ne használja helytelenül (nem előírászerűen) a kábelt. A kábelt soha ne használja az elekt-**

romos szerszám hordozására, húzására vagy az aljzatból történő kihúzására. A kábelt tartsa távol hőforrásoktól, olajtól, hegyes élektől és mozgó alkatrészekről. A sérült vagy megtekeredett kábelek növelik az elektromos áramütés veszélyét.

- e) **Az elektromos szerszám kültéri használata esetén kültéri használatra alkalmas hosszabító kábelt használjon.** A kültéri használatra alkalmas kábel használatával mérsékelhető az elektromos áramütés veszélye.
- f) **Ha az elektromos szerszámot mindenképpen nedves környezetben kell használni, akkor használjon áramvédő kapcsolóval (RCD) ellátott tápforrást.** Az áramvédő kapcsolóval ellátott tápforrás használatával mérsékelhető az elektromos áramütés veszélye.
- 3) Személyi biztonság**
- a) **Az elektromos szerszám használata során maradjon éber, koncentráljon az éppen végzett műveletre és használja a józan ítélőképességét.** Ha fáradt, vagy ha kábítószert, alkoholt vagy gyógyszer hatása alatt áll, ne használjon szerszámgépet. A szerszámgépek használata közben egyetlen pillanatnyi figyelmetlenség is súlyos személyi sérülést okozhat.
- b) **Használjon egyéni védőfelszerelést. Mindig viseljen szemvédő felszerelést.** A megfelelő körülményekhez való védőeszközökkel (például pormaszkkal, csúszásgátló biztonsági cipővel, munkavédelmi sisakkal vagy hallásvédő eszközzel) csökkenthető a személyi sérülések kockázata.
- c) **Gondoskodjon a gép véletlen elindulásának megelőzéséről. A szerszám tápforráshoz és/vagy akkumulátorcsomaghoz történő csatlakoztatása, kézbevétele vagy hordozása előtt győződjön meg róla, hogy a kapcsoló OFF (kikapcs.) állásban van.** Ha úgy hordozza az elektromos szerszámot, hogy az ujjja a kapcsolón van, vagy úgy helyezi feszültség alá az elektromos szerszámot, hogy a kapcsolója ON (bekapcs.) helyzetben van, ez növeli a balesetek kockázatát.
- d) **Az elektromos szerszám bekapcsolása előtt távolítsa el a csavarkulcsokat vagy beállító kulcsokat.** A szerszám forgó alkatrészein felejtett csavarkulcs vagy beállító kulcs személyi sérülést okozhat.
- e) **Ne próbáljon túlnyújtóztatni vagy kitekeredett testhelyzetben dolgozni. Mindig két lábbal, egyensúlyát megtartva álljon a talajon.** Így

könnyebben tudja irányítani az elektromos szerszámot a váratlan helyzetekben.

- f) **Viseljen megfelelő öltözetet. Ne viseljen laza ruhát vagy ékszert. Haját, ruháját és kesztyűjét tartsa távol a mozgó alkatrészekről.** A mozgó alkatrészek behúzhatják a ruhákat, az ékszereket és a hosszú haját.
- g) **Ha rendelkezésre állnak a porfelszívó és -gyűjtő rendszerek csatlakoztatására szolgáló eszközök, csatlakoztassa ezeket az eszközöket és használja őket megfelelően.** A porgyűjtő rendszerek használatával csökkenthetők a porral kapcsolatos veszélyek.
- h) **Ne engedje, hogy a szerszámok gyakori használata során szerzett tapasztalatai túlzott biztonságérzetet keltsenek Önben, és amiatt elhanyagolja a biztonsági alapelveket. Gondatlan cselekvés már a másodperc töredéke alatt is súlyos sérülést okozhat.**
- 4) A szerszám gép használata és ápolása**
- a) **Az elektromos szerszámot tilos túlzott erő-kifejtéssel használni. Az alkalmazási célnak megfelelő elektromos szerszámot használjon.** A megfelelő szerszám gép biztonságosabban és hatékonyabban végzi a munkát azon a fordulatszámra, amire azt tervezték.
- b) **Ne használja az elektromos szerszámot, ha az nem kapcsolható be/ki a főkapcsolóval.** Bármely elektromos szerszám veszélyes lehet, amit a kapcsolóval nem lehet irányítani, ezért az ilyen elektromos szerszámot meg kell javíttatni.
- c) **Válassza le a dugót a tápforrásról és/vagy az akkumulátorcsomagot az elektromos szerszámról, mielőtt bármilyen módosítást végez, tartozékot cserél vagy eltávolítja az elektromos szerszámot.** Ezekkel a megelőző biztonsági intézkedésekkel csökkenthető az elektromos szerszám véletlen elindulásának a kockázata.
- d) **A használaton kívüli elektromos szerszámot olyan helyen tárolja, ahol gyermekek nem férhetnek hozzá; ne engedje, hogy olyan személyek használják, akik az elektromos szerszámot és ezeket az utasításokat nem ismerik.** Az elektromos szerszámok rendkívül veszélyesek lehetnek szakképzetlen felhasználók kezében.
- e) **Tartsa karban az elektromos szerszámokat. Ellenőrizze, hogy a mozgó alkatrészek nem állították-e el vagy nem szorulnak-e, nincsenek-e a szerszámon törött alkatrészek, és nem állnak-e fenn olyan körülmények, amelyek**

- befolyásolhatják a szerszám működését. Ha az elektromos szerszám sérült, használat előtt javíttassa meg. A nem megfelelően karbantartott szerszámgépek számos balesetet okoznak.
- f) **Tartsa élesen és tisztán a vágószerszámokat.** A megfelelően karbantartott, éles vágószerszámok beszorulásának kisebb a valószínűsége, ráadásul könnyebben irányíthatók.
- g) **Az elektromos szerszámot, tartozékokat és szerszámszárakat stb. a használati útmutatónak megfelelően használja, a munkakörülmények és az elvégzendő feladat figyelembevételével.** Ha a szerszámgépet a rendeltetési céljától eltérően használják, ez veszélyhelyzetet teremthet.
- h) **Tartsa a fogantyúkat és egyéb markolási felületeket szárazon, tisztán, olajtól és zsírtól mentesen.** Váratlan helyzetekben a csúszós fogantyúk és egyéb markolási felületek akadályozzák a szerszám biztonságos kezelését és irányítását.
- 5) **Az akkumulátoros szerszám használata és ápolása**
- a) **Újratöltéshez csak a gyártó által megjelölt töltőt használja.** Az egyik akkumulátorhoz megfelelő töltő másikkal töltővel használva tűzveszélyes lehet.
- b) **Csak a kifejezetten hozzájuk készült akkumulátorral használja az elektromos szerszámokat.** Bármilyen másfajta akkumulátor használata tűz- és balesetveszélyt idézhet elő.
- c) **Amikor nem használja az akkucsomagot, tartsa azt távol minden fémestől, például tűzkapocstól, érmétől, kulcstól, szögől, csavartól és minden más apró fémtárgytól, amely az érintkezőket rövidre zárhatná.** Az akkumulátor kapcsok rövidre zárása égési sérülést vagy tüzet okozhat.
- d) **Nem előírászerű körülmények között az akkumulátorból folyadék szivároghat; kerülje a vele való érintkezést. Ha véletlenül mégis a bőrre kerül, vízzel öblítse le. Ha a folyadék szembe kerül, forduljon orvoshoz is.** Az akkumulátorból származó folyadék bőrirritató hatású, égési sérülést is okozhat.
- e) **Sérült vagy átalakított akkucsomagot és szerszámot ne használjon.** A sérült vagy átalakított akkumulátorok kiszámíthatatlanul viselkedhetnek, tüzet, robbanást vagy sérülést okozhatnak.
- f) **Tűztől és szélsőséges hőmérséklettől óvja az akkucsomagot és a szerszámot.** Ha tűznek vagy 130 °C-on felüli hőmérsékletnek teszi ki, robbanást okozhat. MEGJEGYZÉS: a „130 °C” „265 °F”-nak (Fahrenheit foknak) felel meg.
- g) **Tartsa be a töltésre vonatkozó összes utasítást, és ne töltsen az akkucsomagot vagy a szerszámot a kezelési útmutatóban megadott tartományon kívül eső hőmérséklet mellett.** Nem megfelelő vagy a megadott tartományon kívüli hőmérséklet mellett történő töltés károsíthatja az akkumulátort, és tűzveszéllyel jár.
- 6) **Szerviz**
- a) **A szerszámgépet képzett javító szakemberrel javíttassa, csakis az eredetivel azonos pótalkatrészeket használjon fel.** Ez biztosítja, hogy a villamos kéziszerszám továbbra is biztonságos maradjon.
- b) **Sérült akkucsomagot soha ne szervizeljen.** Akkucsomagok szervizelését csak a gyártó vagy annak megbízott szolgáltatója végezheti.

#### TOVÁBBI BIZTONSÁGI FIGYELMEZTETÉSEK FŰVŐKRA/SZÍVÓKRA VONATKOZÓAN

- Gondoskodjon a műanyag zacskók biztonságosan leselejtezéséről – kisgyermek számára fulladásveszélyesek.
- Tartsa tisztán és rendezten azt a területet, ahol dolgozik. Ne használja a szerszámgépet esőben vagy nedves környezetben.
- A készülék használatakor erősen javasolt legfeljebb 30 mA-es RCD (áramvédő kapcsoló) használata a csatlakozójáratnál.
- Ne használjon szerszámgépet olyan helyen, ahol tűz vagy robbanás veszélye áll fenn – vagyis gyúlékony folyadékok és gázok közelében.
- Ne engedjen senkit, különösen a gyermekeket vagy a háziállatokat a munkaterületre.
- Ne engedje, hogy gyermekek vagy más személyek hozzáérjenek a szerszámgéphez.
- Tárolja száraz, gyermekektől elzárt helyen.
- Mindig használjon védőszemüveget. Javasoljuk továbbá fülvédő használatát is.
- Viseljen megfelelő ruházatot (hosszú nadrágot) – ne viseljen bő ruhát vagy ékszereket, és ügyeljen arra, hogy a ruhadarabok ne érintkezzenek a mozgó alkatrészekkel.
- Viseljen csúszásgátló cipőt. Ne viseljen szandált vagy nyitott orrú cipőt.
- Ha hosszú haja van, kösse össze, hogy az ne akadhat bele a mozgó alkatrészekbe.
- Mielőtt bármilyen szerszámgépet használna,



először ellenőrizze, hogy nem lát-e rajta sérült alkatrészeket. Amennyiben igen, ne használja, amíg az alkatrész(eke)t ki nem cserélték.

- Ne használjon szerszámgépet, ha fáradt vagy alkoholt fogyasztott.
- Ne próbáljon túlnyújtóztatva vagy kitekeredett testhelyzetben dolgozni – elveszítheti az egyensúlyát.
- Használat után kapcsolja ki a szerszámot a szerszám főkapcsolójával.
- A készüléket csak rendeltetésszerűen – levelek fújására vagy felszívására – használja.
- Ne irányítsa a fúvógépet emberekre vagy állatokra.
- Ne fújja a növényi hulladékot emberek vagy állatok irányába.
- A készüléket csak nappali fényben vagy megfelelő mesterséges fényben működtesse.
- Ne tegye a kezét a fúvócső vagy -zsák belsejébe, amíg a fúvógépet ki nem kapcsolta, és a dugót le nem választotta a tápellátásról.
- Csak olyan hosszabbító vezetékét használjon, amely kültéri használatra alkalmas. Tartsa távol a vezetékét a túlzott hőtől, olajtól, oldószerektől és éles peremektől.
- Ne használja a lombszívót folyadék eltávolítására.
- Ne szívjon fel forró vagy égő anyagokat, pl. paraszt, gyufát, közelmúltban eloltott cigaret-tacsikkot.
- Soha ne működtesse a lombszívót a zsák biztonságos felhelyezése nélkül.
- Rendszeresen ellenőrizze, hogy minden csavar meg van-e húzva.
- A gépkezelő vagy felhasználó felelős a más személyeket vagy tulajdonukat érő balesetekért vagy veszélyekért.
- A porirritáció megelőzése érdekében arcmaszk viselése ajánlott.
- A kábelt mindig a készüléktől távolabb, mögötte vezesse.
- Ne a kábelnél fogva vigye a készüléket.
- Válassza le a készüléket az elektromos hálózatról:
- Mielőtt megszüntetné az eltömődést.
- A készülék ellenőrzése, tisztítása vagy karbantartása előtt.
- Ha a készülék rendellenes rezgésbe kezd.
- Amikor felügyelet nélkül hagyja a gépet.
- Lejtőn mindig ügyeljen rá, hogy szilárdan álljon a lábán.
- Gyalogos tempóban haladjon, ne fusson.

- Tartsa az összes hűtőlevegő-bemenetet zöldhulladéktól és akadályoktól mentesen.
- Mindig ellenőrizze az összes anya és csavar szoros illeszkedését, hogy a készülék biztonságos működési állapotban legyen.
- Gyakran ellenőrizze a zöldhulladék-gyűjtőt, hogy az nem kopott vagy romlott-e el.
- Cserélje ki a kopott vagy sérült alkatrészeket.
- Kizárólag eredeti pótalkatrészeket és tartozékokat használjon.

Azonnal kapcsolja le a gépet a következő esetekben:

- A szénkefék túlzott szikrázása és a zöldhulladék-gyűjtő megteleése.
- A hálózati csatlakozódugó, a kábel megszakadása, a kábel sérülése.
- Hibás kapcsoló.
- Füst vagy pörkölődött szigetelés szaga.

### Elektromos biztonság



*Mindig ellenőrizze, hogy a tápellátás megfelel-e az adattáblán feltüntetett feszültségnek.*

- Ne használja a gépet, ha a hálózati kábel vagy a hálózati csatlakozódugó sérült.
- Csak olyan hosszabbító kábelt használjon amely megfelel a berendezés névleges teljesítményének és legalább 1,5 mm<sup>2</sup> vastag. Ha tekercset használ a hosszabbító kábelhez, mindig teljesen tekerje le a kábelt.

## 2. A GÉP ISMERTETÉSE

### Rendeltetése

A lombfúvót arra fejlesztették ki, hogy eltávolítsa a leveleket az utcáról, a kertből és a gyepről. A lombfúvó belsejében található ventilátor légáramlást okoz, amellyel a levelek elfújhatók vagy felszívhatók a gyűjtőzsákba.

### MŰSZAKI ADATOK

Modellazonosító	LB501AC
Feszültség	230-240 V 50 Hz
Bemeneti teljesítmény	3300 W
Üresjárat fordulatszám	14000 1/min
Max. fúvósebesség	270 km/h
Max légmennyiség	13,2 m <sup>3</sup> /perc

Aprítási arány	10:1
Fúvósák kapacitása	35 l
Súly	3,0 kg
Hangnyomásszint (Lpa)	84,1 dB(A) K= 3 dB(A)
Hangteljesítményszint (Lwa)	95,8 dB(A) K= 2,21 dB(A)
Rezgés	7.490 m/s <sup>2</sup> , k=1,5 m/s <sup>2</sup>

### Rezgés értékek

A használati útmutatóban megadott rezgés kibocsátási értékek mérése az EN 60745 sz. szabvány szerinti egységesített eljárással történt; az értékek használhatók gépek összehasonlítására és a munkavégzés közbeni rezgésterhelés előzetes megbecslésére az adott alkalmazási területen.

- Ha az elektromos kéziszerszámot más területen használják vagy más vagy rossz karban tartott tartozékkal, a rezgés terhelés jelentősen megnövekedhet.
- Azok az időtartamok, amely alatt a gép üresen jár vagy áll, jelentősen csökkenthetik a tényleges terhelést.

Védje magát a rezgés hatásától, tartsa karban a gépet és a tartozékokat, melegítsen be és szervezze meg okosan a munkáját.

### LEÍRÁS

A szövegbeli számok a 2-3 oldal képeire utalnak.

- Főfogantyú
- Segédfogantyú
- Csatlakozóvezeték
- Kábelkampó
- Üzemi kapcsoló
- Felső cső
- Alsó cső
- Lombszívósák
- Lombszívósák bemeneti csöve
- Lombsákrögzítő kapocs
- Fúvási/szívási opciókar
- Hordpántkampó
- Keréktartó
- Kerekek
- Hordpánt

## 3. ÖSSZESZERELÉS



*Szerelés előtt mindig kapcsolja ki a gépet, és húzza ki a hálózati csatlakozódugót.*

### A csövek összeszerelése (A, B ábra)

- Csavarozza a felső csövet (6) a motorházra.
- Csavarozza az alsó csőszakaszt (7) a felső csőre (6).
- Szerelje fel a mellékelt keréktartót (13) úgy, hogy az alsó csőszakaszra (7) csúsztatja az alsó cső (7) látható ütközőjéig. Csavarja be a rögzítőcsavart, amíg a keréktartó (13) biztonságosan meg nem feszül.
- Csavarja a kerekeket (14) a keréktartóra (13).

### Vállpánt (A ábra)

Csatlakoztassa a hordpántot (15) a fogantyún lévő vállpántkampóhoz (12). A vállpánt kívánt hosszúságúra állításához egyszerűen csúsztassa előre vagy hátra az állítható pántcsatot.

### A gyűjtőzsák csatlakoztatása (A, C ábra)



*Mindig használjon gyűjtőzsákot (8) lombszívó üzemmódban.*

Rögzítse a kampót a ház felső részéhez (9). Csúsztassa a gyűjtőzsák nyitott végét a csőre (9), és csatlakoztassa a házhoz. Rögzítse a kampót a ház alsó részéhez.



*Minden egyes használat előtt ellenőrizze a lombszívózsákot a sérülés jeleinek szempontjából. Apró, éles tárgyak felszívódhatnak, és ha a zsák sérült vagy kopott, a tárgyak az ön vagy más személyek irányába repülhetnek. Súlyos sérüléshez vezethet, ezért kérjük, ellenőrizze. Cserélje ki a kopott vagy sérült zsákot.*

## 4. HASZNÁLAT

### Használat (A-ábra)

Csatlakoztassa a készüléket a hálózathoz (vagy hosszabbítóhoz), és amikor készen áll az egyensúlyát is jól megtartva, nyomja meg az üzemi kapcsolót (5), és a készülék elindul. Kikapcsoláskor nyomja meg ismét.

Megjegyzés: Nagy teherbírású kültéri hosszabbító kábel használata javasolt.

Állítsa be a heveder hosszát úgy, hogy egyenesen tudjon állni, és a lombfűvő használat közben a kerekekre támaszkodjon. Ez könnyíti a vállakra és a hátra nehezedő terhet. Előre és hátrafelé használja, nem pedig oldalirányban.

#### Működési üzemmód változtatása (A ábra)

Egyik üzemmódról a másikra váltáshoz egyszerűen húzza meg az opciókart (11) az igényeinek megfelelően. Fordítsa el az óramutató járásával megegyező irányba a lombfűvő üzemmódhoz és az óramutató járásával ellentétes irányba a lombszívó üzemmódhoz (ne felejtse el felszerelni a zsákot, ha lombszívó üzemmódot választ).

## 5. KARBANTARTÁS



*Tisztítás és karbantartás előtt mindig kapcsolja ki a gépet, és húzza ki a hálózati csatlakozódugót.*

A gép burkolatát rendszeresen, lehetőleg minden használat után törölje át puha ronggyal. Ügyeljen arra, hogy a szellőzőnyílások portól és piszoktól mentesek legyenek. Makacs szennyeződésekhez használjon szappanos vízzel átitatott ruhát. Oldószert, benzint, alkoholt, ammóniát stb. ne használjon. Ezek a vegyszerek kárt tesznek a szintetikus részekben.

## KÖRNYEZETVÉDELEM



*A hibás vagy már feleslegessé vált elektromos, elektronikus készülékeket az ezzel foglalkozó begyűjtő helyeken kell leadni.*

#### Csak EU országokban

Elektromos szerszámokat ne dobjon a háztartási hulladékba. Az elektromos és elektronikai hulladékokra vonatkozó, 2012/19/EU európai irányelv és annak a nemzeti törvénykezésbe történő átültetése értelmében az elhasznált elektromos készülékeket külön kell gyűjteni és környezetbarát módon kell kiselejtezni.

## JÓTÁLLÁS

A VONROC termékei a legmagasabb minőségi normák szerint készülnek, és az eredeti vásárlás napjától számított, törvényileg előírt időtartamig garantáljuk, hogy anyag- és gyártási hibáktól mentesen fognak működni. Ha a terméken ezen időszak alatt bármilyen hiba jelentkezik anyag- és/vagy gyártási hiba miatt, kérjük, forduljon közvetlenül a VONROC vállalathoz.

A szavatosság nem érvényes a következő körülmények egyikére sem:

- Nem hivatalos szervizközpontok javítást vagy módosítást végeztek (vagy megkíséreltek javítást vagy módosítást végezni) a gépen;
- Normál elhasználódás és kopás;
- A szerszámot erőszakosan vagy nem rendeltetésszerűen használták, vagy a karbantartása nem volt megfelelő;
- Nem eredeti pótalkatrészeket használtak.

A jelen garancia a vállalat által (akár kifejezetten, akár hallgatólagosan) biztosított kizárólagos garancia. Nem léteznek olyan egyéb garanciák (sem kifejezett, sem hallgatólagos garanciák, beleértve az értékesíthetőségre és az adott célra való alkalmasságra vonatkozó hallgatólagos garanciákat is), amelyek a jelen garancia hatókörén túlmutatnak. A VONROC semmilyen esetben sem felelős semmilyen járulékos vagy következményes kárért. A forgalmazók jogorvoslati teendői az előírásoknak nem megfelelő egységek vagy alkatrészek javítására és cseréjére korlátozódik.

**A termék és a használati útmutató változtatásának jogát fenntartjuk. A műszaki adatok előzetes bejelentés nélkül változhatnak.**

## 1. BEZPEČNOSTNÍ POKYNY

Přečtěte si přiložené bezpečnostní výstrahy, dodatečné bezpečnostní výstrahy a bezpečnostní pokyny. Nebudete-li dodržovat tyto bezpečnostní výstrahy a pokyny, může dojít k úrazu elektrickým proudem, k vzniku požáru nebo k vážného zranění. Uschovejte tyto bezpečnostní výstrahy a pokyny pro budoucí použití.

V této uživatelské příručce a na tomto výrobku jsou použity následující symboly:



*Přečtěte si uživatelskou příručku.*



*Upozorňuje na nebezpečí zranění osob, ztráty života nebo poškození náradí, nebudou-li dodržovány pokyny uvedené v tomto návodu.*



*Nebezpečí úrazu elektrickým proudem.*



*Riziko zranění odlétávajícími předměty. Zamezte přístupu nepovolaných osob do pracovního prostoru.*



*Nepoužívejte za deště, ani nenechávejte venku, když prší.*



*Používejte ochranné brýle. Používejte ochranu sluchu.*



*Varování: ventilátor se otáčí i při otevření nebo zavření krytu, dávejte pozor zejména u krytu vstupu.*



*Ohned odpojte zástrčku napájecího kabelu od síťové zásuvky, dojde-li k jeho poškození a také v průběhu čištění nebo údržby.*



*Stroj třídy II – Dvojitá izolace – Nemusí být použit uzemňovací vodič.*



*Nelikvidujte tento výrobek do nevhodného kontejneru.*



*Tento výrobek je vyroben v souladu s platnými bezpečnostními normami, které jsou uvedeny ve směrnících EU.*

## OBECNÉ BEZPEČNOSTNÍ VÝSTRAHY TÝKAJÍCÍ SE ELEKTRICKÉHO NÁRADÍ



### **VAROVÁNÍ!**

**Přečtěte si všechny bezpečnostní výstrahy a všechny pokyny.** Nebudete-li dodržovat tyto bezpečnostní výstrahy a pokyny, může dojít k úrazu elektrickým proudem, k vzniku požáru nebo k způsobení vážného zranění.

### **Uschovejte všechny bezpečnostní výstrahy a pokyny pro budoucí použití.**

Termín elektrické náradí v těchto varováních odkazuje na elektrické náradí napájené z elektrické sítě (s napájecím kabelem) nebo z akumulátoru (bez napájecího kabelu).

- 1) Bezpečnost pracovního prostoru**
  - a) **Udržujte čistotu na pracovišti a zajistěte jeho řádné osvětlení.** Neuklizená nebo tmavá místa přivolávají nehody.
  - b) **Nepoužívejte elektrická náradí ve výbušných prostředích, jako jsou místa s přítomností hořlavých kapalin, plynů nebo prachu.** V elektrickém náradí dochází k jiskření, které může způsobit vznícení prachu nebo výparů.
  - c) **Při práci s tímto elektrickým náradím udržujte děti a okolostojící osoby v bezpečné vzdálenosti.** Rozptylování může způsobit ztrátu kontroly nad náradím.
- 2) Elektrická bezpečnost**
  - a) **Zástrčka napájecího kabelu náradí musí odpovídat zásuvce. Zástrčku nikdy žádným způsobem neupravujte. Nepoužívejte u uzemněného elektrického náradí žádné adaptéry zástrček.** Neupravené zástrčky a odpovídající zásuvky budou snižovat riziko úrazu elektrickým proudem.
  - b) **Vyvarujte se kontaktu s uzemněnými povrchy, jako jsou potrubí, radiátory, trouby a ledničky.** Dojde-li k uzemnění vašeho těla, hrozí zvýšené riziko způsobení úrazu elektrickým proudem.
  - c) **Nevystavujte elektrické náradí dešti ani vlhkému prostředí. Dostane-li se do elektrického náradí voda, zvýší se riziko úrazu elektrickým proudem.**
  - d) **Nezacházejte špatně s napájecím kabelem. Nikdy nepoužívejte napájecí kabel pro přenášení nebo tahání elektrického náradí a netahajte za tento kabel při odpojování zástrčky od zásuvky. Dbejte na to, aby tento kabel nepřecházel přes**

- horké a mastné povrchy nebo přes ostré hrany, a aby se nedostal do kontaktu s pohyblivými se díly. Poškozené nebo zamotané kabely zvyšují riziko úrazu elektrickým proudem.**
- e) **Používáte-li elektrické nářadí venku, použijte prodlužovací kabel vhodný pro venkovní použití. Použití prodlužovacího kabelu pro venkovní použití snižuje riziko úrazu elektrickým proudem.**
- f) **Musíte-li používat toto elektrické nářadí ve vlhkém prostředí, používejte v elektrickém obvodu proudový chránič (RCD). Použití proudového chrániče (RCD) snižuje riziko úrazu elektrickým proudem.**
- 3) Bezpečnost osob**
- a) **Při práci s tímto elektrickým nářadím buďte stále pozorní, sledujte, co provádíte, a používejte zdravý rozum. Nepoužívejte elektrické nářadí, jste-li unaveni nebo jste-li pod vlivem drog, alkoholu nebo léků. Nepozornost při práci s elektrickým nářadím může vést k velmi nebezpečným zraněním.**
- b) **Používejte osobní ochranné prostředky. Vždy používejte ochranu zraku. Ochranné prostředky, jako jsou maska proti prachu, neklouzavá pracovní ochranná obuv, pevná přilba nebo chrániče sluchu, které jsou používány v příslušných podmínkách, zmenšují riziko způsobení zranění osob.**
- c) **Zabraňte náhodnému spuštění nářadí. Před připojením elektrického nářadí k napájecímu zdroji nebo před vložením akumulátoru do nářadí také před zvednutím nářadí nebo před jeho přenášením se ujistěte, zda je vypínač na nářadí v poloze vypnuto. Přenášení elektrického nářadí s prstem na spouštěcím spínači nebo připojení elektrického nářadí k zdroji elektrické energie, je-li spouštěcí spínač v poloze zapnuto, zvyšuje pravděpodobnost vzniku nehod.**
- d) **Před zapnutím elektrického nářadí vždy odstraňte všechny klíče a seřizovací přípravky. Klíče nebo seřizovací přípravky ponechané na rotující části elektrického nářadí mohou způsobit zranění osob.**
- e) **Nepřeceňujte své síly. Vždy udržujte správný postoj a rovnováhu. Tak si zachováte lepší kontrolu nad nářadím v neočekávaných situacích.**
- f) **Vhodně se oblékejte. Nenoste volný oděv nebo šperky. Udržujte vlasy, oblečení a rukavice v bezpečné vzdálenosti od všech pohyblivých částí. Volný oděv, šperky nebo dlouhé vlasy mohou být zachyceny pohyblivými se díly.**
- g) **Jsou-li zařízení vybavena adaptérem pro připojení odsávacího systému, ujistěte se, zda je odsávací zařízení správně připojeno a zda správně vykonává svou práci. Použití odsávání prachu může snížit rizika spojená s prací v prašném prostředí.**
- h) **Nedovoľte, aby jistota získaná častým používáním nářadí vedla ke snížení vaší pozornosti a ignorování zásad bezpečné práce s nářadím. Chvilková nepozornost může během zlomku sekundy způsobit vážné zranění.**
- 4) Použití elektrického nářadí a jeho údržba**
- a) **Nepřetěžujte elektrické nářadí. Používejte pro prováděnou práci správné elektrické nářadí. Správné elektrické nářadí provede práci lépe a bezpečněji, je-li použito pro práce, pro které je určeno.**
- b) **Nepoužívejte elektrické nářadí, nepracuje-li správně jeho spouštěcí spínač. Nemůžete-li elektrické nářadí ovládat pomocí spouštěcího spínače, takové nářadí je velmi nebezpečné a musí být opraveno.**
- c) **Před prováděním jakéhokoliv seřízení, před výměnou příslušenství nebo před uložení odpojte napájecí kabel nářadí od napájecího zdroje nebo z nářadí vyjměte akumulátor. Tato preventivní bezpečnostní opatření snižují riziko náhodného spuštění elektrického nářadí.**
- d) **Uložte nepoužívané elektrické nářadí mimo dosah dětí a nedovoľte osobám, které nejsou obeznámeny s tímto nářadím nebo s těmito pokyny, aby toto elektrické nářadí používaly. Elektrické nářadí je v rukách neproškolených osob nebezpečné.**
- e) **Provádějte údržbu elektrického nářadí. Zkontrolujte vychýlení nebo zablokování pohyblivých částí, poškození dílů a stavy nářadí, které by mohly mít vliv na správnou funkci nářadí. Je-li elektrické nářadí poškozeno, před použitím zajistěte jeho opravu. Mnoho nehod bývá způsobeno nedostatečnou údržbou elektrického nářadí.**
- f) **Udržujte řezné nástroje ostré a čisté. U správně udržovaných řezných nástrojů s ostrými řeznými břity je menší pravděpodobnost jejich zablokování a lépe se s nimi pracuje.**
- g) **Používejte elektrické nářadí, příslušenství, pracovní nástroje atd. v souladu s těmito pokyny a berte v úvahu pracovní podmínky a práci,**

která má být provedena. Použití elektrického nářadí pro operace, pro které není určeno, může vést k nebezpečným situacím.

- h) **Dbejte na to, aby byly rukojeti a úchopné povrchy suché, čisté a zbavené olejů a maziv.** Kluzké rukojeti a úchopné plochy neumožňují bezpečnou manipulaci a ovládání nářadí v neočekávaných situacích.
- 5) **Použití a údržba akumulátorového nářadí**
- a) **K nabíjení používejte výhradně nabíječku předepsanou výrobcem.** Nabíječka vhodná pro jeden typ akumulátoru může způsobit požár při vložení jiného, nevhodného typu.
- b) **Používejte elektrické nářadí pouze s předepsanými akumulátory.** Použití jiných typů akumulátoru může způsobit požár nebo zranění.
- c) **Když akumulátor nepoužíváte, uložte ho mimo dosah kovových předmětů, jako jsou kancelářské sponky, mince, klíče, hřebíky, šroubky nebo jiné malé kovové předměty, které by mohly zkratovat jeho kontakty.** Zkratování kontaktů akumulátoru může způsobit popáleniny nebo požár.
- d) **V nevhodných podmínkách může z akumulátoru unikat kapalina. Vyvarujte se kontaktu s touto kapalinou. Dojde-li k náhodnému kontaktu s touto kapalinou, zasažené místo omyjte vodou. Dostane-li se kapalina do očí, ihned si je vypláchněte vodou a vyhledejte lékařskou pomoc. Unikající kapalina z akumulátoru může způsobit podráždění pokožky nebo popáleniny.**
- e) **Nepoužívejte poškozený nebo upravený akumulátor či nářadí.** Poškozené nebo upravené akumulátory se mohou chovat nepředvídatelně, což může způsobit požár, výbuch nebo nebezpečí zranění.
- f) **Nevystavujte akumulátor a nářadí ohni ani nadměrným teplotám.** Vystavení účinkům ohně nebo teplot nad 130 °C může způsobit výbuch. **POZNÁMKA** Teplota „130 °C“ odpovídá teplotě „265 °F“.
- g) **Dodržujte všechny pokyny pro nabíjení a nenabíjejte akumulátor ani nářadí mimo teplotní rozsah předepsaný v těchto pokynech.** Nesprávné nabíjení nebo nabíjení při teplotě mimo předepsaný rozsah může poškodit akumulátor a zvýšit nebezpečí vzniku požáru.
- 6) **Servis**
- a) **Svěřte opravu svého elektrického nářadí pouze**

osobě s příslušnou kvalifikací, která bude používat výhradně originální náhradní díly. Tím zajistíte bezpečný provoz tohoto elektrického nářadí.

- b) **Nikdy neopravujte poškozené akumulátorové moduly.** Opravy akumulátorů smí provádět výhradně výrobce nebo technik autorizovaného servisu.

## DOPLŇKOVÁ BEZPEČNOSTNÍ VAROVÁNÍ PRO FUKARY/VYSAVAČE

- Bezpečně zlikvidujte plastové obaly - jsou nebezpečím zadušení pro malé děti.
- Udržujte pracovní prostor čistý a uklizený. Nepoužívejte elektrické nářadí v dešti nebo v mokřem prostředí.
- Při použití tohoto zařízení vám zásadně doporučujeme, abyste v zásuvce použili proudový chránič (RCD) s proudovou hodnotou nižší než 30 mA.
- Nepoužívejte elektrické nářadí na místech, kde hrozí riziko požáru nebo výbuchu - například v blízkosti hořlavých kapalin nebo plynů.
- Nedovolte ostatním, a to zejména dětem nebo domácím zvířatům, pohybovat se v prostoru, kde pracujete.
- Nedovolte dětem nebo jiným osobám dotýkat se elektrického nářadí.
- Skladujte na suchém místě mimo dosah dětí.
- Vždy používejte ochranné brýle. Doporučujeme také používat ochranu sluchu.
- Používejte správné oblečení (dlouhé kalhoty) - žádné volné doplňky nebo šperky a ujistěte se, zda se oděv nedostane do kontaktu s pohyblivými částmi.
- Noste neklouzavou obuv. Nenoste sandály nebo obuv s otevřenou špičkou.
- Máte-li dlouhé vlasy, svažte si je, abyste zabránili jejich zachycení do pohyblivých částí.
- Před použitím jakéhokoli elektrického nářadí proveďte nejdříve jeho kontrolu z hlediska poškozených dílů a pokud takové díly objevíte, nepoužívejte toto nářadí, dokud tyto díly nebudou vyměněny za nové.
- Nepoužívejte elektrické nářadí, jste-li unavení nebo pokud jste požili alkohol.
- Při práci nepřeceňujte své síly - mohlo by dojít k ztrátě vaší rovnováhy.
- Po použití musíte toto nářadí vypnout pomocí spínače zapnuto/vypnuto.
- Používejte toto zařízení pouze k jeho určenému

účelu – odfuk nebo vysávání listů.

- Nemiřte tímto fukarem na osoby nebo na zvířata.
- Neprovádějte odfuk nečistot ve směru, kde se nachází osoby nebo zvířata.
- Pracujte pouze za denního světla nebo při kvalitním umělém osvětlení.
- Nevkládejte ruce do trubice fukaru nebo do sběrného vaku, dokud nebude tento fukar vypnutý a dokud nebude odpojena zástrčka jeho kabelu od zásuvky.
- Pracujte pouze s prodlužovacími kabely, které jsou určeny pro venkovní použití. Napájecí kabel nesmí přecházet přes nadměrně horké povrchy, mastné plochy, místa pokrytá rozpouštědly a ostré hrany.
- Vysavač nepoužívejte k odstraňování žadných kapalin.
- Nevysávejte horké nebo hořící materiály, tj. žhavé uhlíky, zápalky, před chvílí uhašené nedopalky cigaret.
- Vysavač neprovazujte bez spolehlivě nainstalovaného vaku.
- Pravidelně kontrolujte, zda jsou řádně utaženy matice, šrouby a vruty.
- Obsluha nebo uživatel odpovídá za nehody nebo rizika hrozící jiným osobám nebo jejich majetku.
- Doporučujeme vám používat masku proti prachu, abyste zabránili podráždění způsobenému rozvířeným prachem.
- Vždy vedte napájecí kabel tak, aby se nacházel za tímto zařízením.
- Nepřenášejte toto nářadí uchopením za kabel.
- Odpojte nářadí od elektrické sítě
- Před odstraněním zablokování.
- Před kontrolou, čištěním nebo údržbou tohoto nářadí.
- Začne-li toto nářadí abnormálně vibrovat.
- Před každým opuštěním tohoto nářadí.
- Na svahu vždy udržujte správný postoj.
- Chodte, nikdy neběhejte.
- Stále udržujte čisté a průchozí větrací otvory na tomto nářadí.
- Udržujte všechny matice, šrouby a vruty řádně utaženy, abyste se ujistili, zda je toto nářadí v bezpečném provozním stavu.
- Často kontrolujte sběrný vak z hlediska jeho opotřebování a poškození.
- Opotřebované nebo poškozené díly vyměňte.
- Používejte pouze originální náhradní díly a příslušenství.

V následujících případech toto nářadí okamžitě vypněte:

- Dochází-li k nadměrnému jiskření uhlíků na kolektoru.
- Dojde-li k přerušení nebo poškození síťové zástrčky nebo k poškození napájecího kabelu.
- Dojde-li k poškození spínače.
- Objeví-li se kouř nebo zápach spálené izolace.

### Elektrická bezpečnost



*Vždy zkontrolujte, zda se napájecí napětí sítě shoduje s napájecím napětím na výkonovém štítku.*

- Nepoužívejte tento výrobek, je-li poškozen jeho napájecí kabel nebo zástrčka.
- Používejte pouze prodlužovací kabely, které jsou vhodné pro příkon tohoto zařízení a které mají minimální průřez 1,5 mm<sup>2</sup>. Budete-li používat prodlužovací kabel na cívce, vždy odмотejte celý kabel.

## 2. INFORMACE O ZAŘÍZENÍ

### Zamýšlené použití

Tyto fukary na listy jsou určeny k odstraňování listů z ulic, zahrad a trávníků. Ventilátor nacházející se uvnitř fukaru vytváří proud vzduchu, který může být používán pro odfuk spadaneho listů nebo jeho vysávání do vaku.

### TECHNICKÉ ÚDAJE

Model č.	LB501AC
Napětí	230–240 V 50 Hz
Příkon	3300 W
Otáčky naprázdno	14 000 ot./min
Max. rychlost fukaru	270 km/h
Max. objem vzduchu	13,2 m <sup>3</sup> /min
Poměr drcení	10:1
Kapacita vaku fukaru	35 L
Hmotnost	3,0 kg
Úroveň akustického tlaku (Lpa)	84,1 dB(A), K = 3 dB(A)
Úroveň akustického výkonu (Lwa)	95,8 dB(A), K = 2,21 dB(A)
Vibrace	7,490 m/s <sup>2</sup> , k=1,5 m/s <sup>2</sup>

### Úroveň vibrací

Deklarovaná úroveň vibrací uvedená v tomto návodu byla měřena v souladu se standardní zkušební metodou předepsanou normou EN 60745. Tato úroveň vibrací může být použita pro srovnání jednotlivých nářadí mezi sebou a také při předběžném posouzení působících vibrací při používání nářadí při uvedených aplikacích.

- Použití tohoto nářadí pro jiné aplikace nebo s odlišným nebo špatně udržovaným příslušenstvím může značně zvýšit působení vibrací.
- Doba, kdy je nářadí vypnuto nebo kdy je v chodu, ale aktuálně nevykonává žádnou práci, může působení vibrací značně zmírnit.

Chraňte se před působením vibrací prováděním řádné údržby tohoto nářadí i jeho příslušenství, udržujte ruce v teple a provádějte práci správným způsobem.

### POPIS

Čísla v následujícím textu odkazují na obrázky na stranách 2 - 3.

1. Hlavní rukojeť
2. Přídavná rukojeť
3. Napájecí kabel
4. Hák na kabel
5. Vypínač
6. Horní trubice
7. Spodní trubice
8. Vak vysavače
9. Vstupní trubka vaku vysavače
10. Zajišťovací spona vaku na listí
11. Volicí páka fukaru/vysavače
12. Hák popruhu na přenášení
13. Držák kolečka
14. Kolečka
15. Popruh na přenášení

## 3. SESTAVENÍ



*Před sestavením nářadí vždy vypněte a odpojte zástrčku napájecího kabelu od síťové zásuvky.*

### Nasazení trubic (Obr. A, B)

- Našroubujte horní trubku (6) na skříň motoru.
- Našroubujte spodní část trubky (7) na horní trubku (6).
- Namontujte přiložený držák kolečka (13) nasazením na spodní část trubky (7) až na doraz

na spodní trubce (7). Zašroubujte upevňovací šroub tak, aby byl spolehlivě utažen držák kolečka (13).

- Našroubujte kolečka (14) na držák kolečka (13).

### Ramenní popruh (obr. A)

Připojte popruh na přenášení (15) k háku na ramenní popruh (12) na rukojeti. Pro nastavení ramenního popruhu na požadovanou délku jednoduše posuňte nastavitelnou sponu popruhu dopředu nebo dozadu.

### Připojení sběrného vaku (obr. A, C)



*Při použití režimu vysavače vždy používejte sběrný vak (8).*

Připojte hák k horní části skříně (9). Nasadte otevřený konec sběrného vaku na trubku (9) a připojte ke skříni. Připojte hák ke spodní části skříně.



*Vak vysavače před každým použitím zkontrolujte z hlediska známek poškození. Malé ostré předměty se mohou nasát a pokud je vak poškozený nebo opotřebený, mohou být vymršťovány na vás nebo na někoho jiného. To by mohlo vést ke zranění, a proto provádějte kontrolu. Pokud je vak poškozený nebo silně opotřebený, vyměňte jej za nový.*

## 4. POUŽITÍ

### Použití (Obr. A)

Připojte zástrčku spotřebiče k síti (nebo prodlužovacímu kabelu) a když jste připraveni a v rovnováze, stisknutím tlačítka ON/OFF (5) zapnete spotřebič. Opětovným stisknutím tohoto spínače dojde k vypnutí nářadí.

Poznámka: Doporučujeme používat odolný prodlužovací kabel do venkovního prostředí.

Změňte délku postroje tak, abyste mohli stát vzpřímeně a aby se fukar mohl opírat během provozu o svá kolečka. Tím se omezí zatížení vašich ramen a zad. Používejte směrem dopředu a dozadu, ne ze strany na stranu.

### Změna provozního režimu (obr. A)

Pokud chcete přepnout provozní režim z jednoho do druhého, jednoduše zatáhněte za volicí páku



(11). Otočte ji doprava do režimu fukaru a doleva do režimu vysavače (pokud chcete režim vysavače, nezapomeňte nasadit vak).

## 5. ÚDRŽBA



*Před čištěním a prováděním údržby nářadí vždy vypněte a vypojte zástrčku napájecího kabelu ze síťové zásuvky.*

Pravidelně čistěte kryt zařízení jemným hadříkem, ideálně po každém použití. Ujistěte se, zda nejsou větrací otvory zaneseny prachem nebo jinými nečistotami. Odolnější nečistoty odstraňte pomocí jemného hadříku navlhčeného v mýdlové pěně. Nepoužívejte žádná rozpouštědla, jako jsou benzín, líh, čpavek atd. Takové chemické látky mohou způsobit poškození dílů z umělé hmoty.

## OCHRANA ŽIVOTNÍHO PROSTŘEDÍ



*Poškozená a likvidovaná elektrická nebo elektronická zařízení musí být odevzdána ve sběrných dvorech, které jsou určeny pro tento účel.*

### Pouze pro země EU

Nevyhazujte elektrická nářadí do běžného domácího odpadu. Podle evropské směrnice 2012/19/EC týkající se likvidace elektrických a elektronických zařízení a její implementace do vnitrostátního práva, musí být nepoužívaná elektrická nářadí shromažďována odděleně a jejich likvidace musí být provedena tak, aby nedošlo k ohrožení životního prostředí.

## ZÁRUKA

Výrobky VONROC jsou vyvíjeny v souladu s požadavky norem na nejvyšší kvalitu a je zaručeno, že po dobu platné záruky, která začíná běžet dnem původního nákupu, nebudou na těchto výrobcích žádné vady materiálu, ani vady způsobené špatným dílenským zpracováním. Dojde-li během tohoto období k závadě v důsledku vady materiálu nebo dílenského zpracování, kontaktujte přímo firmu VONROC.

Z této záruky jsou vyloučeny následující případy:

- Opravy nebo úpravy tohoto zařízení byly provedeny nebo byly provedeny pokusy o jejich provedení v neautorizovaných servisech;

- Běžné opotřebování;
- Toto zařízení bylo nesprávně použito, nevhodně použito nebo nebyla prováděna jeho správná údržba;
- Byly použity neoriginální náhradní díly.

Výše uvedené představuje jedinou záruku poskytovanou společností, ať už výslovnou nebo předpokládanou. Neexistují žádné další záruky, výslovné ani nebo předpokládané, které přesahují rámec zde uvedeného, včetně předpokládaných záruk prodejnosti a vhodnosti pro určitý účel. VONROC v žádném případě neodpovídá za jakékoliv náhodné nebo následné škody. Opravné prostředky prodejců se omezují výhradně na opravu nebo výměnu nevyhovujících jednotek nebo dílů.

**Na tomto výrobku a v tomto návodu mohou být prováděny změny. Technické údaje mohou být změněny bez předchozího upozornění.**



**DECLARATION OF CONFORMITY**  
**LB501AC - LEAF BLOWER / LEAF VACUUM**

- (EN) We declare under our sole responsibility that this product is in conformity with directive 2011/65/EU of the European parliament and of the council of 8 June on the restriction of the use of certain hazardous substances in electrical and electronic equipment is in conformity and accordance with the following standards and regulations:
- (DE) Der Hersteller erklärt eigenverantwortlich, dass dieses Produkt der Direktive 2011/65/ EU des Europäischen Parlaments und des Rats vom 8. Juni 2011 über die Einschränkung der Anwendung von bestimmten gefährlichen Stoffen in elektrischen und elektronischen Geräten entspricht. den folgenden Standards und Vorschriften entspricht:
- (NL) Wij verklaren onder onze volledige verantwoordelijkheid dat dit product voldoet aan de conform Richtlijn 2011/65/EU van het Europees Parlement en de Raad van 8 juni 2011 betreffende beperking van het gebruik van bepaalde gevaarlijke stoffen in elektrische en elektronische apparatuur en in overeenstemming is met de volgende standaarden en reguleringen:
- (FR) Nous déclarons sous notre seule responsabilité que ce produit est conforme aux standards et directives suivants: est conforme à la Directive 2011/65/EU du Parlement Européen et du Conseil du 8 juin 2011 concernant la limitation d'usage de certaines substances dangereuses dans l'équipement électrique et électronique.
- (ES) Declaramos bajo nuestra exclusiva responsabilidad que este producto cumple con las siguientes normas y estándares de funcionamiento: se encuentra conforme con la Directiva 2011/65/UE del Parlamento Europeo y del Consejo de 8 de junio de 2011 sobre la restricción del uso de determinadas sustancias peligrosas en los equipos eléctricos y electrónicos.
- (IT) Dichiariamo, sotto la nostra responsabilità, che questo prodotto è conforme alle normative e ai regolamenti seguenti: è conforme alla Direttiva 2011/65/UE del Parlamento Europeo e del Consiglio dell'8 giugno 2011 sulla limitazione dell'uso di determinate sostanze pericolose nelle apparecchiature elettriche ed elettroniche.
- (SV) Vi försäkrar under vårt eget ansvar att denna produkt överensstämmer med Europaparlamentets och rådets direktiv 2011/65/EU av den 8 juni om begränsning av användningen av vissa farliga ämnen i elektrisk och elektronisk utrustning och är i överensstämmelse och enlighet med följande standarder och föreskrifter:
- (DA) Vi erklærer under eget ansvar, at dette produkt er i overensstemmelse med Europa-Parlamentets og Rådets direktiv 2011/65/EU af 8. juni om begrænsning af brugen af visse farlige stoffer i elektrisk og elektronisk udstyr og overholder og er i overensstemmelse med følgende standarder og regler:
- (PL) Deklarujemy na własną odpowiedzialność, że ten produkt spełnia wymogi zawarte w następujących normach i przepisach: jest zgodny z Dyrektywą 2011/65/UE Parlamentu Europejskiego i Rady z dnia 8 czerwca 2011 r. w sprawie ograniczenia stosowania niektórych niebezpiecznych substancji w sprzęcie elektrycznym i elektronicznym.
- (RO) Declărăm sub responsabilitatea exclusivă că acest produs este în conformitate cu Directiva 2011/65/EU a Parlamentului și a Consiliului European din 8 iunie privind restricționarea utilizării anumitor substanțe periculoase în echipamentele electrice și electronice și în conformitate cu următoarele standarde și reglementări:
- (PT) Declaramos, sob nossa exclusiva responsabilidade, que este produto está em conformidade com a directiva 2011/65/UE do Parlamento Europeu e com a do conselho de 8 de Junho sobre a restrição da utilização de determinadas substâncias perigosas em equipamento eléctrico e electrónico está em conformidade e de acordo com as seguintes normas e regulamentações:
- (CS) Prohlašujeme na svou výhradní odpovědnost, že tento výrobek splňuje požadavky směrnice 2011/65/EU Evropské rady a parlamentu ze dne 8. června, která se týká omezení používání určitých nebezpečných látek v elektrických a elektronických zařízeních, a splňuje také všechny požadavky následujících norem a předpisů:
- (TR) Tek sorumlusu biz olmak üzere bu ürünün Avrupa Parlamentosunun 2011/65/EU ve 8 Haziran 2011 tarihli konseyin elektrikli ve elektronik ekipmanlarda belirlenmiş tehlikeli malzeme kullanımının kısıtlanması hakkındaki talimatları ile birlikte aşağıda belirtilen standart ve yönergelere uygun ve uyumlu olduğunu beyan ederiz:

**EN55014-1, EN55014-2, EN 60335-1, EN 61000-3-2, EN 61000-3-3, EN 50636-2-100, EN 62233, EN 2006/42/EC, 2014/30/EU, 2005/88/EC, 2000/14/EC, 2011/65/EU, 2012/19/EU**

Zwolle, 01-04-2022

H.G.F Rosberg  
CEO

**VONROC • Lingenstraat 6 • 8028 PM Zwolle • The Netherlands**





**VONROC®**  
BUILD YOUR FUTURE

©2022 VONROC  
[WWW.VONROC.COM](http://WWW.VONROC.COM)  
2204-11