



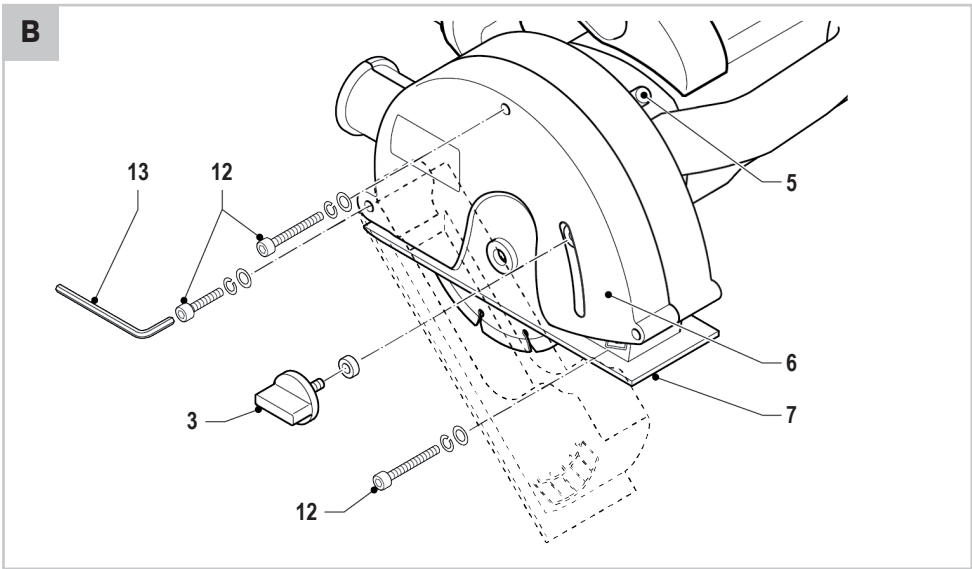
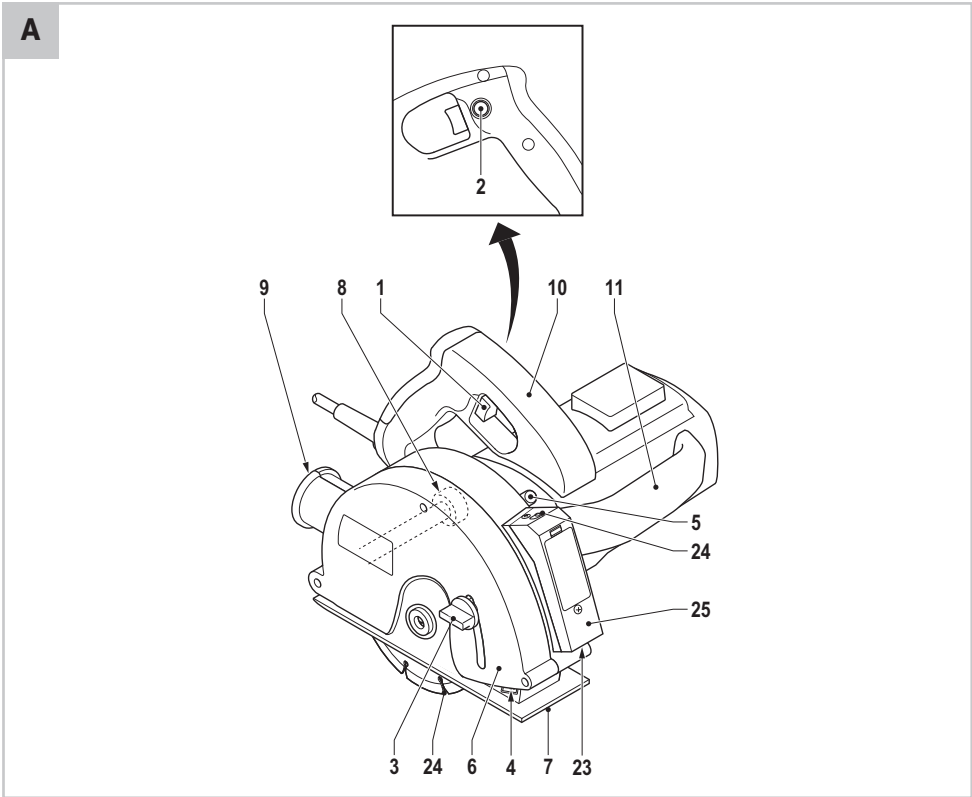
VONROC®

BUILD YOUR FUTURE

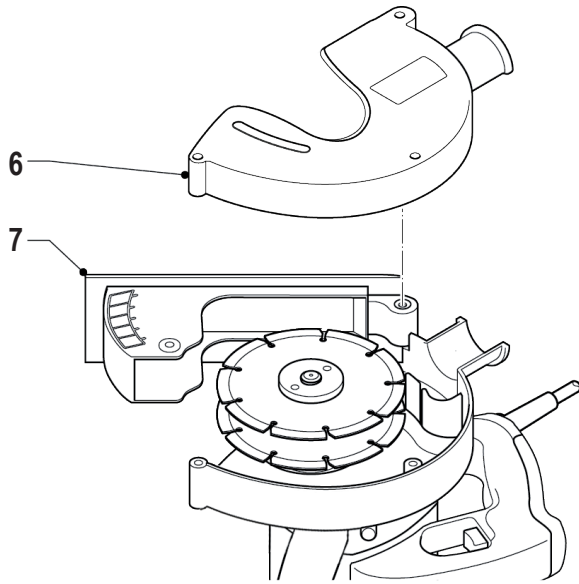
WALL CHASER WC502AC / S_WC502AC S2_WC502AC



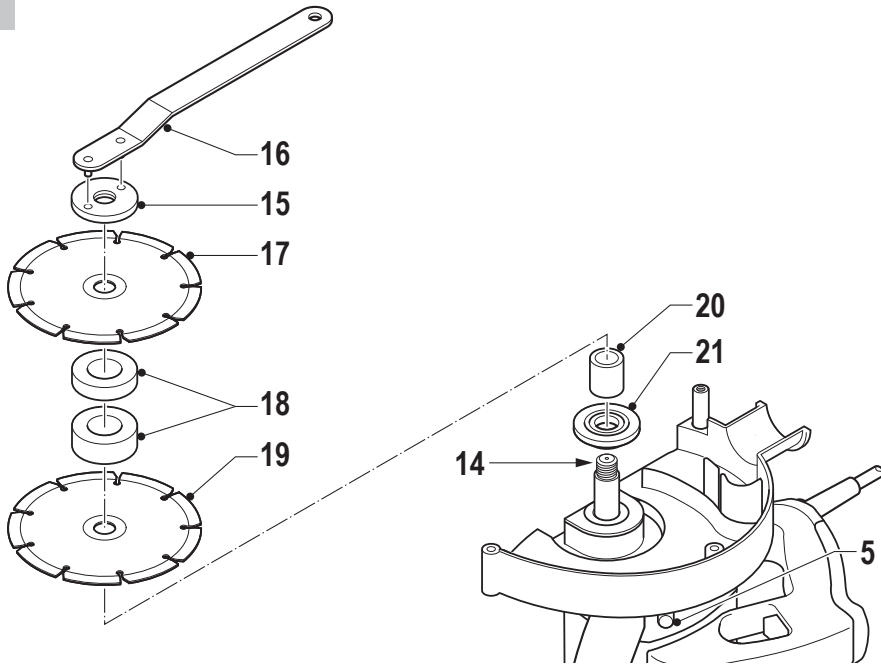
EN	Original Instructions	06
DE	Übersetzung Der Originalbetriebsanleitung	12
NL	Vertaling van de oorspronkelijke gebruiksaanwijzing	20
FR	Traduction de la notice originale	27
ES	Traducción del manual original	34
IT	Istruções originais	41
SV	Traduzione delle istruzioni originali	48
DA	Bruksanvisning i original	55
PL	Original vejledning	62
RO	Eredeti utasítások	69
PT	Překlad originálního návodu k obsluze	76
HU	Tłumaczenie instrukcji oryginalnej	83
CS	Traducere a instrucțiunilor originale	90
TR	Orijinal talimatların çevirisi	97

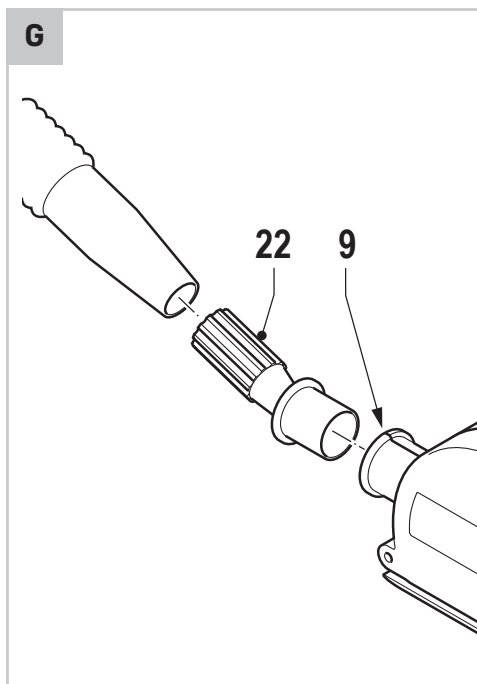
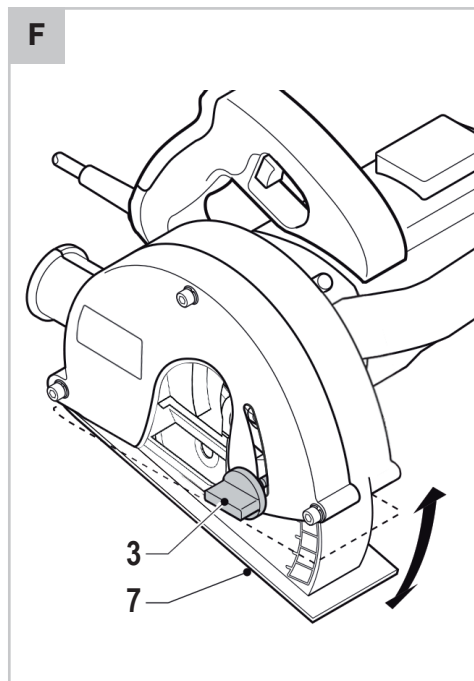
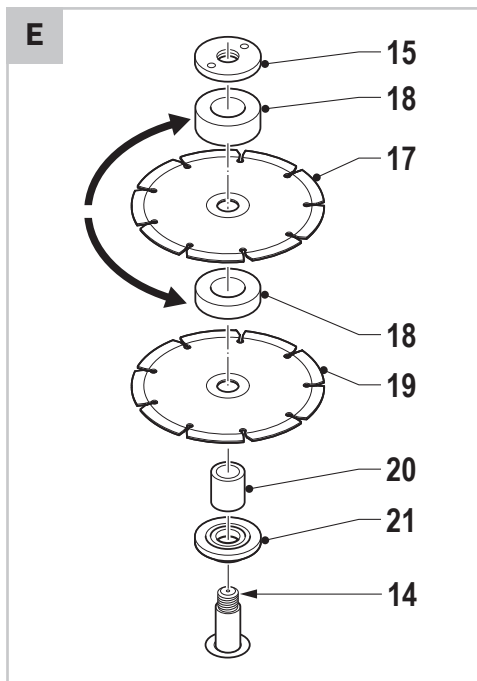


C

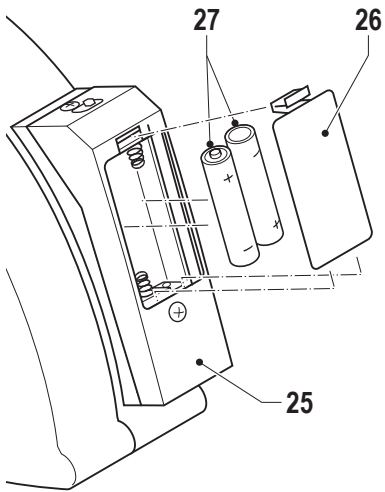


D





E



1. SAFETY INSTRUCTIONS

Read the enclosed safety warnings, the additional safety warnings and the instructions. Failure to follow the safety warnings and the instructions may result in electric shock, fire and/or serious injury. Save the safety warnings and the instructions for future reference.

The following symbols are used in the user manual or on the product:



Read the user manual.



Risk of personal injury.



Risk of electric shock.



Immediately remove the mains plug from the mains if the mains cable becomes damaged and during cleaning and maintenance.



Wear safety goggles.

Wear hearing protection.



Wear a dust mask.



Risk of flying objects. Keep bystanders away from the work area.



Class II machine - Double insulation - You don't need any earthed plug.



Warning of laser radiation.



Do not dispose of the product in unsuitable containers.



The product is in accordance with the applicable safety standards in the European directives.

GENERAL POWER TOOL SAFETY WARNINGS



WARNING! Read all safety warnings and all instructions. Failure to follow the warnings and instructions may result in electric shock, fire and/or serious injury.

Save all warnings and instructions for future reference. The term "power tool" in the warnings

refers to your mains-operated (corded) power tool or battery-operated (cordless) power tool.

1) Work area safety

- a) **Keep the work area clean and well lit.** Cluttered or dark areas invite accidents.
- b) **Do not operate power tools in explosive atmospheres, such as in the presence of flammable liquids, gases or dust.** Power tools create sparks which may ignite the dust or fumes.
- c) **Keep children and bystanders away while operating a power tool.** Distractions can cause you to lose control.

2) Electrical safety

- a) **Power tool plugs must match the outlet. Never modify the plug in any way. Do not use any adapter plugs with earthed (grounded) power tools.** Unmodified plugs and matching outlets will reduce risk of electric shock.
- b) **Avoid body contact with earthed or grounded surfaces, such as pipes, radiators, ranges and refrigerators.** There is an increased risk of electric shock if your body is earthed or grounded.
- c) **Do not expose power tools to rain or wet conditions.** Water entering a power tool will increase the risk of electric shock.
- d) **Do not abuse the cord. Never use the cord for carrying, pulling or unplugging the power tool. Keep cord away from heat, oil, sharp edges or moving parts.** Damaged or entangled cords increase the risk of electric shock.
- e) **When operating a power tool outdoors, use an extension cord suitable for outdoor use.** Use of a cord suitable for outdoor use reduces the risk of electric shock.
- f) **If operating a power tool in a damp location is unavoidable, use a residual current device (RCD) protected supply.** Use of an RCD reduces the risk of electric shock.

3) Personal safety

- a) **Stay alert, watch what you are doing and use common sense when operating a power tool. Do not use a power tool while you are tired or under the influence of drugs, alcohol or medication.** A moment of inattention while operating power tools may result in serious personal injury.
- b) **Use personal protective equipment. Always wear eye protection.** Protective equipment

such as dust mask, non-skid safety shoes, hard hat, or hearing protection used for appropriate conditions will reduce personal injuries.

- c) **Prevent unintentional starting. Ensure the switch is in the off-position before connecting to power source and/or battery pack, picking up or carrying the tool.** Carrying power tools with your finger on the switch or energising power tools that have the switch on invites accidents.
 - d) **Remove any adjusting key or wrench before turning the power tool on.** A wrench or a key left attached to a rotating part of the power tool may result in personal injury.
 - e) **Do not overreach. Keep proper footing and balance at all times.** This enables better control of the power tool in unexpected situations.
 - f) **Dress properly. Do not wear loose clothing or jewellery. Keep your hair, clothing and gloves away from moving parts.** Loose clothes, jewellery or long hair can be caught in moving parts.
 - g) **If devices are provided for the connection of dust extraction and collection facilities, ensure these are connected and properly used.** Use of dust collection can reduce dust related hazards.
 - h) **Do not let familiarity gained from frequent use of tools allow you to become complacent and ignore tool safety principles.** A careless action can cause severe injury within a fraction of a second.
- 4) Power tool use and care**
- a) **Do not force the power tool. Use the correct power tool for your application.** The correct power tool will do the job better and safer at the rate for which it was designed.
 - b) **Do not use the power tool if the switch does not turn it on and off.** Any power tool that cannot be controlled with the switch is dangerous and must be repaired.
 - c) **Disconnect the plug from the power source and/or the battery pack from the power tool before making any adjustments, changing accessories, or storing power tools.** Such preventive safety measures reduce the risk of starting the power tool accidentally.
 - d) **Store idle power tools out of the reach of children and do not allow persons unfamiliar with the power tool or these instructions to operate the power tool.** Power tools are dangerous in

the hands of untrained users.

- e) **Maintain power tools. Check for misalignment or binding of moving parts, breakage of parts and any other condition that may affect the power tool's operation. If damaged, have the power tool repaired before use.** Many accidents are caused by poorly maintained power tools.
 - f) **Keep cutting tools sharp and clean.** Properly maintained cutting tools with sharp cutting edges are less likely to bind and are easier to control.
 - g) **Use the power tool, accessories and tool bits etc. in accordance with these instructions, taking into account the working conditions and the work to be performed.** Use of the power tool for operations different from those intended could result in a hazardous situation.
 - h) **Keep handles and grasping surfaces dry, clean and free from oil and grease.** Slippery handles and grasping surfaces do not allow for safe handling and control of the tool in unexpected situations.
- 5) Battery tool use and care**
- a) **Recharge only with the charger specified by the manufacturer.** A charger that is suitable for one type of battery pack may create a risk of fire when used with another battery pack.
 - b) **Use power tools only with specifically designed battery packs.** Use of any other battery packs may create a risk of injury and fire.
 - c) **When battery pack is not in use, keep it away from other metal objects, like paper clips, coins, keys, nails, screws or other small metal objects that can make a connection from one terminal to another.** Shorting the battery terminals together may cause burns or a fire.
 - d) **Under abusive conditions, liquid may be ejected from the battery; avoid contact. If contact accidentally occurs, flush with water. If liquid contacts eyes, additionally seek medical help.** Liquid ejected from the battery may cause irritation or burns.
 - e) **Do not use a battery pack or tool that is damaged or modified.** Damaged or modified batteries may exhibit unpredictable behaviour resulting in fire, explosion or risk of injury.
 - f) **Do not expose a battery pack or tool to fire or excessive temperature.** Exposure to fire or temperature above 130 °C may cause explo-

sion. NOTE The temperature „130 °C“ can be replaced by the temperature „265 °F“.

- g) **Follow all charging instructions and do not charge the battery pack or tool outside the temperature range specified in the instructions.** Charging improperly or at temperatures outside the specified range may damage the battery and increase the risk of fire.
- 6) **Service**
- a) **Have your power tool serviced by a qualified repair person using only identical replacement parts.** This will ensure that the safety of the power tool is maintained.
- b) **Never service damaged battery packs.** Service of battery packs should only be performed by the manufacturer or authorized service providers.

ADDITIONAL SAFETY WARNINGS FOR WALL CHASER

- **Warning of laser radiation.** Laser class 2, P max.: <1 mW, λ: 650 nm, EN 60825-1:2014. Do not look directly into the laser beam or the opening from which it emerges. Never point the laser beam at people, animals or reflective surfaces. Even brief eye contact can lead to eye damage. Examining the laser output aperture by use of optical instruments (e.g. magnifying glass, magnifiers and the like) entails the risk of eye damage. When working with a laser of class 2, observe the national regulations on wearing eye protection.
- Do not work materials containing asbestos. Asbestos is considered carcinogenic.
- Wear safety goggles, hearing protection and if necessary other protective means, such as safety gloves, safety shoes, etc.
- Before use, remove all nails and other metal objects from the wall.
- Be aware of hidden pipes and wiring when cutting slots into walls.
- Always hold the machine with two hands.
- Do not use the machine without the guard.
- Inspect the cutting discs before each use. Do not use cutting discs which are bent, cracked, or otherwise damaged.
- Make sure that the cutting discs are properly mounted.
- Make sure that the cutting discs rotate in the correct direction.
- Do not use the machine with the cutting discs

facing upwards or to the side.

- Only use cutting discs that are suitable for use with the machine.
- Only use cutting discs with the correct dimensions.
- Do not use other accessories than cutting discs.
- Do not use the machine when a maximum slot depth is required that exceeds the maximum slot depth of the cutting discs.
- Make sure that your hands do not touch the rotating parts.
- Always work in the correct working direction (see indication on the base).
- Let the machine run at no load in a safe area after mounting the cutting discs. If the machine vibrates strongly, immediately switch off the machine, remove the mains plug from the mains, and try to solve the problem.
- Beware that the cutting discs continue to rotate for a short period after switching off the machine. Do not attempt to bring the cutting discs to a standstill yourself.
- Never put the machine down on a table or a workbench before it has been switched off.

Kickback

Kickback is the upward and backward movement of the cutting discs when the cutting discs unexpectedly touch an object. Securely hold the machine with both hands during use. Keep your attention focused on the operation.

Kickback is usually caused by:

- unintentionally touching hard objects or materials with the rotating cutting discs;
- blunt cutting discs;
- cutting discs that are not properly mounted;
- cutting into a previous cut;
- a lack of attention to the operation;
- an instable stance.

Electrical safety



Always check that the voltage of the power supply corresponds to the voltage on the rating plate.

- Do not use the machine if the mains cable or the mains plug is damaged.
- Only use extension cables that are suitable for the power rating of the machine with a minimum thickness of 1.5 mm². If you use an extension cable reel, always fully unroll the cable.

2. MACHINE INFORMATION

Intended use

Your wall chaser has been designed for making slots in masonry. The machine is only suitable for right-hand use.

TECHNICAL SPECIFICATIONS

Model No.	WC502AC / S_WC502AC / S2_WC502AC
Mains voltage	230V~
Mains frequency	50Hz
Power input	1700W
No-load speed	4000 min ⁻¹
Slot width	14/19/29mm
Slot depth	5-40mm
Cutting disc Diameter:	150mm
Bore:	22.2mm
Spindle thread	M12
Protection class	IP20
Weight	5.1kg
Sound pressure L _{PA}	85.3 dB(A)
Acoustic power L _{WA}	96.3 dB(A)
Uncertainty (K)	3 dB(A)
Vibration (main grip)	7.214 m/s ²
Vibration (auxiliary grip)	5.843 m/s ²
Uncertainty (K)	1.5 m/s ²



Wear hearing protection.

Vibration level

The vibration emission level stated in this instruction manual has been measured in accordance with a standardized test given in EN60745; it may be used to compare one tool with another and as a preliminary assessment of exposure to vibration when using the tool for the applications mentioned.

- Using the tool for different applications, or with different or poorly maintained accessories, may significantly increase the exposure level.
- The times when the tool is switched off or when it is running but not actually doing the job, may significantly reduce the exposure level.

Protect yourself against the effects of vibration by maintaining the tool and its accessories, keeping your hands warm, and organizing your work patterns.

DESCRIPTION

The numbers in the text refer to the diagrams on pages 2 - 5.

1. On/off switch
2. Lock-off button
3. Locking knob for slot depth
4. Scale for slot depth
5. Spindle lock button
6. Guard
7. Base
8. Guide roller
9. Dust extraction connection
10. Main grip
11. Auxiliary grip
12. Allen screws
13. Allen key
14. Spindle
15. Outer flange
16. Flange key
17. Cutting disc
18. Spacers
19. Cutting disc
20. Spindle sleeve
21. Inner flange
22. Dust extraction adapter
23. Laser
24. On/off switch for laser
25. Battery compartment

3. ASSEMBLY



Before assembly, always switch off the machine and remove the mains plug from the mains.

Replacing the cutting discs (fig. B - D)

Worn or damaged cutting discs must be replaced immediately.



- Only use sharp and undamaged cutting discs.
- Only use cutting discs that are suitable for the material to be worked.
- Only use cutting discs with a maximum permitted speed that is equal to or exceeds the maximum no-load speed

of the machine.

- Only use diamond cutting discs that are suitable for dry cutting.
 - Always replace both cutting discs at the same time.
 - Never attempt to remove the guard.
- Place the machine on a stable surface.
 - Loosen the Allen screws (12) using the Allen key (13).
 - Loosen the locking knob (3) and lower the base (7).
 - Remove the guard (6).
 - Keep the spindle lock button (5) pressed to lock the spindle (14).
 - Loosen the outer flange (15) using the flange key (16). To untighten, turn clockwise. To tighten, turn anti-clockwise.
 - Remove the old cutting disc (17), the spacers (18), the old cutting disc (19), the spindle sleeve (20), and the inner flange (21).
 - If necessary, clean the flanges (15 & 21).
 - Mount the inner flange (21), the spindle sleeve (20), the new cutting disc (19), the spacers (18), and the new cutting disc (17).
 - Firmly tighten the outer flange (15) using the flange key (16).
 - Release the spindle lock button (5).
 - Mount the guard (6).
 - Raise the base (7) and tighten the locking knob (3).
 - Firmly tighten the Allen screws (12) using the Allen key (13).

4. OPERATION

Setting the slot width (fig. B - E)

The slot width can be set using the spacers between the cutting discs. The number of spacers between the cutting discs determine the slot width.



- Do not set the slot width during use.
- Always mount at least one spacer between the cutting discs.

- Determine the slot width.
- Mount the spacers (18) around the cutting discs (17 & 19) in the required order. Refer to the chapter "Replacing the cutting discs".

Setting the slot depth (fig. A & F)

The slot depth is variable between 5 and 40 mm. The slot depth can be read from the scale (4).



Do not set the slot depth during use.

- Slacken the locking knob (3).
- Tilt the base (7) to the required position. Set a slot depth approximately 3 mm deeper than the required depth to compensate for possible unevenness of the wall surface.
- Tighten the locking knob (3).

Switching on and off (fig. A)

- To switch on the machine, keep the lock-off button (2) pressed and simultaneously press the on/off switch (1).
- To switch off the machine, release the on/off switch (1).

Using the laser (fig. A)

- To switch on the laser (23), press the on/off switch (24).
- To switch off the laser (23), release the on/off switch (24).

Overload protection

The machine is equipped with an overload protection device which automatically switches off the machine if the machine is overloaded.

- Switch off the machine.
- Remove the machine from the workpiece.
- Switch on the machine.
- Run the machine at no-load for approximately 1 minute to allow the machine to cool down.

Dust extraction (fig. G)

Only use the machine when it is connected to a vacuum device which is approved for stone dust. The vacuum device must be suitable for the material to be worked. Use a special vacuum device when working with toxic materials or where toxic dust is produced.



- Never use a household vacuum cleaner. The use of a household vacuum cleaner can easily damage both your health and the vacuum cleaner.
- Always use the dust extraction adapter.
- Make sure that the hose of the vacuum device is securely connected to the

dust extraction adapter.

- *If the vacuum device breaks down, stop work immediately, switch off the machine, remove the mains plug from the mains, and try to solve the problem.*

- Insert the dust extraction adapter (22) into the dust extraction connection (9).
- Connect the hose of a vacuum device to the dust extraction adapter (22).

Hints for optimum use

- Draw lines to define the direction in which to guide the cutting discs.
- Hold the machine with both hands. Keep your second hand on the auxiliary grip (11).
- Set the slot width.
- Take one of the following steps:
 - Lower the machine into the wall and set the slot depth (recommended). The machine is placed against the wall and the cutting discs lower into the wall in order to set the slot depth more accurately.
 - Set the slot depth and lower the machine into the wall.
- Place the machine with the guide roller (8) on the wall. Make sure that the cutting discs align with the drawn lines on the wall.
- Set the slot depth.
- Switch on the machine.
- Wait until the machine has reached full speed.
- Slowly move the machine along the pre-drawn lines from top to bottom, firmly pressing the guide roller (8) against the wall (fig.H).
- Do not apply too much pressure on the machine. Let the machine do the work.
- Switch off the machine and wait for the machine to come to a complete standstill before putting the machine down.

5. MAINTENANCE



Always disconnect the machine from the main power supply before carrying out any maintenance work.

Clean the machine casings regularly with a soft cloth, preferably after each use. Make sure that the ventilation openings are free of dust and dirt. Remove very persistent dirt using a soft cloth moistened with soapsuds. Do not use any solvents

such as gasoline, alcohol, ammonia, etc. Chemicals such as these will damage the synthetic components.

Replacing the batteries (fig. I)

The laser uses 2 AAA batteries. If the laser stops working, the batteries must be replaced.

- Remove the cover (26) from the battery compartment (25).
- Remove the old batteries (27).
- Place the new batteries (27).
- Mount the cover (27) to the battery compartment (25).

ENVIRONMENT



Faulty and/or discarded electrical or electronic apparatus have to be collected at the appropriate recycling locations.

Only for EC countries

Do not dispose of power tools into domestic waste. According to the European Guideline 2012/19/EC for Waste Electrical and Electronic Equipment and its implementation into national right, power tools that are no longer usable must be collected separately and disposed of in an environmentally friendly way.

WARRANTY

VONROC products are developed to the highest quality standards and are guaranteed free of defects in both materials and workmanship for the period lawfully stipulated starting from the date of original purchase. Should the product develop any failure during this period due to defective material and/or workmanship then contact VONROC directly.

The following circumstances are excluded from this guarantee:

- Repairs and or alterations have been made or attempted to the machine by unauthorized service centers;
- Normal wear and tear;
- The tool has been abused, misused or improperly maintained;
- Non-original spare parts have been used.

This constitutes the sole warranty made by company either expressed or implied. There are no other warranties expressed or implied which extend

beyond the face hereof, herein, including the implied warranties of merchantability and fitness for a particular purpose. In no event shall VONROC be liable for any incidental or consequential damages. The dealers remedies shall be limited to repair or replacement of nonconforming units or parts.

The product and the user manual are subject to change. Specifications can be changed without further notice.

1. SICHERHEITSANWEISUNGEN

Lesen Sie die beiliegenden Sicherheitsanweisungen, die zusätzlichen Sicherheitsanweisungen sowie diese Bedienungsanleitung sorgfältig durch.

Bei Nichtbeachten der Sicherheitsanweisungen und der Bedienungsanleitung kann es zu einem Stromschlag, einem Brand und/oder schweren Verletzungen kommen. Bewahren Sie die Sicherheitsanweisungen und die Bedienungsanleitung zur künftigen Bezugnahme sicher auf.

Folgende Symbole werden im Benutzerhandbuch oder auf dem Produkt verwendet:



Benutzerhandbuch/Bedienungsanleitung lesen.



Gefahr von Personenverletzungen.



Gefahr eines Stromschlags.



Ziehen Sie sofort den Netzstecker aus der Steckdose, falls das Netzkabel beschädigt wird sowie bei der Reinigung und Wartung.



Tragen Sie eine Schutzbrille. Tragen Sie einen Gehörschutz.



Tragen Sie eine Staubmaske.



Gefahr von herumfliegenden Gegenständen. Halten Sie Unbeteiligte vom Arbeitsbereich fern.



Werkzeug/Gerät der Schutzklasse II - schutzisoliert - kein Schutzkontaktanschluss erforderlich.



Warnung vor Laserstrahlung.



Produkt vorschriftsmäßig entsorgen, nicht über den Hausmüll.



Das Produkt entspricht den geltenden Sicherheitsnormen der europäischen Richtlinien.

ALLGEMEINE SICHERHEITSHINWEISE

ACHTUNG! Lesen Sie alle Sicherheitshinweise und Anweisungen. Fehler bei der Einhaltung der nachstehend aufgeführten Anweisungen können elektrischen Schlag, Brand und/oder schwere Verletzungen verursachen.

Bewahren Sie diese Anweisungen gut auf. Der nachfolgend verwendete Begriff „Elektrowerkzeug“ bezieht sich auf netzbetriebene Elektrowerkzeuge (mit Netzkabel) und auf akkubetriebene Elektrowerkzeuge (ohne Netzkabel).

1) Arbeitsplatz

- a) **Halten Sie Ihren Arbeitsbereich sauber und aufgeräumt.** Unordnung und unbeleuchtete Arbeitsbereiche können zu Unfällen führen.
- b) **Arbeiten Sie mit dem Gerät nicht in explosionsgefährdeter Umgebung, in der sich brennbare Flüssigkeiten, Gase oder Staub befinden.** Elektrowerkzeuge erzeugen Funken, die den Staub oder die Dämpfe entzünden können.
- c) **Halten Sie Kinder und andere Personen während der Benutzung des Elektrowerkzeugs fern.** Bei Ablenkung können Sie die Kontrolle über das Gerät verlieren.

2) Elektrische Sicherheit

- a) **Der Anschlussstecker des Gerätes muss in die Steckdose passen. Der Netzstecker darf in keiner Weise verändert werden. Verwenden Sie keine Adapterstecker gemeinsam mit schutzgeerdeten Geräten. Unveränderte Netzstecker** und passende Steckdosen verringern das Risiko eines elektrischen Schlages.
- b) **Vermeiden Sie Körperkontakt mit geerdeten Oberflächen, wie von Rohren, Heizungen, Herden und Kühlschränken.** Es besteht ein erhöhtes Risiko durch elektrischen Schlag, wenn Ihr Körper geerdet ist.
- c) **Halten Sie das Gerät von Regen oder Nässe fern.** Das Eindringen von Wasser in ein Elektrogerät erhöht das Risiko eines elektrischen Schlages.
- d) **Zweckfremden Sie das Netzkabel nicht, um das Gerät zu tragen, aufzuhängen oder um den Netzstecker aus der Steckdose zu ziehen. Halten Sie das Netzkabel fern von Hitze, Öl, scharfen Kanten oder sich bewegenden Geräteteilen.** Beschädigte oder verwickelte Netzkabel erhöhen das Risiko eines elektrischen Schlages.
- e) **Wenn Sie mit einem Elektrowerkzeug**

im Freien arbeiten, verwenden Sie nur Verlängerungskabel, die auch für den Außenbereich zugelassen sind. Die Anwendung eines für den Außenbereich geeigneten Verlängerungskabels verringert das Risiko eines elektrischen Schlages

- f) **Wenn sich Arbeiten mit einem Elektrowerkzeug in feuchten Umgebungen nicht vermeiden lassen, verwenden Sie eine Stromversorgung mit einer Fehlerstrom-Schutzeinrichtung (RCD).** Durch die Verwendung einer RCD wird die Gefahr eines elektrischen Schlages verringert.

3) Sicherheit von Personen

- a) **Seien Sie aufmerksam. Achten Sie darauf, was Sie tun, und gehen Sie mit Vernunft an die Arbeit mit einem Elektrowerkzeug. Benutzen Sie das Gerät nicht, wenn Sie müde sind oder unter dem Einfluss von Drogen, Alkohol oder Medikamenten stehen.** Ein Moment der Unachtsamkeit beim Gebrauch des Gerätes kann zu ernsthaften Verletzungen führen.
- b) **Tragen Sie persönliche Schutzausrüstung und immer eine Schutzbrille.** Das Tragen persönlicher Schutzausrüstung, wie Staubmaske, rutschfeste Sicherheitsschuhe, Schutzhelm oder Gehörschutz, je nach Art und Einsatz des Elektrowerkzeuges, verringert das Risiko von Verletzungen.
- c) **Vermeiden Sie eine unbeabsichtigte Inbetriebnahme. Vergewissern Sie sich, dass der Schalter in der Position „AUS(0)“ ist, bevor Sie den Netzstecker in die Steckdose stecken.** Wenn Sie beim Tragen des Gerätes den Finger am Schalter haben oder das Gerät eingeschaltet an die Stromversorgung anschließen, kann dies zu Unfällen führen.
- d) **Entfernen Sie Einstellwerkzeuge oder Schraubenschlüssel, bevor Sie das Gerät einschalten.** Ein Werkzeug oder Schlüssel, der sich in einem drehenden Geräteteil befindet, kann zu Verletzungen führen.
- e) **Überschätzen Sie sich nicht. Sorgen Sie für einen sicheren Stand und halten Sie jederzeit das Gleichgewicht.** Dadurch können Sie das Gerät in unerwarteten Situationen besser kontrollieren.
- f) **Tragen Sie geeignete Kleidung. Tragen Sie keine weite Kleidung oder Schmuck. Halten Sie Haare, Kleidung und Handschuhe fern von sich bewegenden Teilen.** Lockere Kleidung, Schmuck oder lange Haare können von sich

bewegenden Teilen erfasst werden.

- g) **Wenn Staubabsaug- und -auffangeinrichtungen montiert werden können, vergewissern Sie sich, dass diese angeschlossen sind und richtig verwendet werden.** Das Verwenden dieser Einrichtungen verringert Gefährdungen durch Staub.
- h) **Achten Sie darauf, nicht durch häufigen Gebrauch von Werkzeugen nachlässig zu werden und die Prinzipien zum sicheren Umgang mit den Werkzeugen zu ignorieren.** Eine unachtsame Handlung kann innerhalb von Sekundenbruchteilen schwere Verletzungen verursachen.

4) Sorgfältiger Umgang und Gebrauch von Elektrowerkzeugen

- a) Überlasten Sie das Gerät nicht. Verwenden **Sie für Ihre Arbeit das dafür bestimmte Elektrowerkzeug.** Mit dem passenden Elektrowerkzeug arbeiten Sie besser und sicherer im angegebenen Leistungsbereich.
- b) **Benutzen Sie kein Elektrowerkzeug, dessen Schalter defekt ist.** Ein Elektrowerkzeug, das sich nicht mehr ein- oder ausschalten lässt, ist gefährlich und muss repariert werden.
- c) **Ziehen Sie den Netzstecker aus der Steckdose, bevor Sie Geräteeinstellungen vornehmen, Zubehörteile wechseln oder das Gerät weglegen.** Diese Vorsichtsmaßnahme verhindert den unbeabsichtigten Start des Geräts.
- d) **Bewahren Sie unbenutzte Elektrowerkzeuge außerhalb der Reichweite von Kindern auf. Lassen Sie Personen das Gerät nicht benutzen, die mit diesem nicht vertraut sind oder diese Anweisungen nicht gelesen haben.** Elektrowerkzeuge sind gefährlich, wenn Sie von unerfahrenen Personen benutzt werden.
- e) **Pflegen Sie das Gerät mit Sorgfalt. Kontrollieren Sie, ob bewegliche Geräteteile einwandfrei funktionieren und nicht klemmen, ob Teile gebrochen oder so beschädigt sind, dass die Funktion des Gerätes beeinträchtigt ist. Lassen Sie beschädigte Teile vor dem Einsatz des Gerätes reparieren.** Viele Unfälle haben ihre Ursache in schlecht gewarteten Elektrowerkzeugen.
- f) **Halten Sie Schneidwerkzeuge scharf und sauber.** Sorgfältig gepflegte Schneidwerkzeuge mit scharfen Schneidkanten verklemmen sich weniger und sind leichter zu führen.
- g) **Verwenden Sie Elektrowerkzeug, Zubehör, Einsatzwerkzeuge usw. entsprechend**

diesen Anweisungen und so, wie es für diesen speziellen Gerätetyp vorgeschrieben ist. Berücksichtigen Sie dabei die Arbeitsbedingungen und die auszuführende Tätigkeit.

Der Gebrauch von Elektrowerkzeugen für andere als die vorgesehenen Anwendungen kann zu gefährlichen Situationen führen.

- h) **Halten Sie Griffe und Greifflächen immer trocken, sauber und frei von Öl und Fett.** Rutschige Griffe und Greifflächen verhindern in unerwarteten Situationen den sicheren Umgang mit dem Werkzeug und die richtige Kontrolle darüber.

5) Umgang mit Akkuwerkzeugen

- a) **Zum Laden ist ausschließlich das vom Hersteller angegebene Ladegerät zu verwenden.** Ein Ladegerät, das für eine Art von Akkus geeignet ist, kann bei Verwendung mit einer anderen Art von Akku Brandgefahr verursachen.
- b) **Elektrowerkzeuge dürfen nur mit speziell dazu bestimmten Akkus verwendet werden,** da bei der Verwendung anderer Akkus Verletzungs- und Brandgefahr entstehen kann.
- c) **Wenn der Akku nicht in Gebrauch ist, ist er von Büroklammern, Münzen, Schlüssel, Nägel, Schrauben und anderen kleinen Metallobjekten fernzuhalten, die eine Verbindung zwischen den Polen bilden können.** Kurzschließen der Pole kann Brand oder Verbrennungen verursachen.
- d) **Bei falschem Umgang mit dem Akku kann Flüssigkeit aus dem Akku austreten. Die Berührung dieser Flüssigkeit ist zu vermeiden. Bei Berührung den betroffenen Körperteil mit Wasser abspülen. Bei Berührung der Flüssigkeit mit den Augen muss zusätzlich ärztliche Hilfe gerufen werden.** Die Akkuflüssigkeit kann Reizungen oder Verbrennungen verursachen.
- e) **Verwenden Sie keinesfalls Akkus und Werkzeuge, die beschädigt oder verändert wurden.** Beschädigte oder veränderte Akkus können ein unvorhersehbares Verhalten zeigen, das zu Feuer, Explosionen oder Verletzungsgefahren führt.
- f) **Setzen Sie Akkus oder Werkzeuge keinem Feuer oder übermäßigen Temperaturen aus.** Feuer oder Temperaturen über 130 °C können zu Explosionen führen. HINWEIS: Die Temperaturangabe „130 °C“ kann durch die Temperaturangabe „265 °F“ ersetzt werden.
- g) **Beachten Sie alle Hinweise zum Aufladen**

und laden Sie Akkus oder Werkzeuge nicht außerhalb der in der Anleitung angegebenen Temperaturbereiche auf. Unsachgemäßes Aufladen oder Aufladen bei Temperaturen außerhalb des angegebenen Bereichs kann den Akku schädigen und die Brandgefahr erhöhen.

6) Service

- a) **Lassen Sie Ihre Werkzeuge durch einen qualifizierten Reparaturtechniker ausschließlich mit identischen Ersatzteilen warten.** So lässt sich eine gleich bleibende Sicherheit des Elektrowerkzeugs gewährleisten.
- b) **Beschädigte Akkus dürfen keinesfalls gewartet werden.** Die Wartung von Akkus darf nur vom Hersteller oder von Vertragswerkstätten durchgeführt werden.

ZUSÄTZLICHE SICHERHEITSHINWEISE FÜR MAUERNUTFRÄSE

- **Warnung vor Laserstrahlung.** Laserklasse 2, Pmax: <1 mW, λ: 650 nm, EN 60825-1: 2014 Richten Sie den Laserstrahl nicht auf Personen oder Tiere und starren Sie nicht in den Laserstrahl, auch nicht aus der Distanz. Dieses Elektrowerkzeug erzeugt einen Laser mit einer Laserstrahlung der Klasse 2 gemäß EN 60825-1. Diese kann dazu führen, dass Personen erblinden.
- Bearbeiten Sie keine asbesthaltigen Materialien. Asbest wird als krebserregend eingestuft.
- Tragen Sie eine Schutzbrille, einen Gehörschutz und gegebenenfalls weitere Schutzausrüstung wie Sicherheitshandschuhe, Sicherheitsschuhe, usw.
- Entfernen Sie vor dem Gebrauch alle Nägel und sonstigen Gegenstände aus der Wand.
- Achten Sie beim Fräsen von Schlitten in Wände auf versteckte Rohrleitungen und Drähte.
- Halten Sie die Maschine stets mit beiden Händen fest.
- Verwenden Sie die Maschine nicht ohne Schutzzvorrichtung.
- Überprüfen Sie die Schneidscheiben vor jedem Gebrauch. Verwenden Sie keine verbogenen, gerissenen oder anderweitig beschädigten Schneidscheiben.
- Vergewissern Sie sich, dass die Schneidscheiben richtig angebracht sind.
- Vergewissern Sie sich, dass sich die Schneidscheiben in die richtige Richtung drehen.
- Verwenden Sie die Maschine nicht mit den Sch-

- neidscheiben nach oben oder zur Seite weisend.
- Verwenden Sie nur Schneidscheiben, die für den Gebrauch mit der Maschine geeignet sind.
- Verwenden Sie nur Schneidscheiben mit den richtigen Maßen.
- Verwenden Sie kein anderes Zubehör als Schneidscheiben.
- Verwenden Sie die Maschine nicht, wenn eine maximale Schlitztiefe erforderlich ist, die die maximale Schlitztiefe der Schneidscheiben überschreitet.
- Achten Sie darauf, dass Ihre Hände nicht die rotierenden Teile berühren.
- Arbeiten Sie stets in der richtigen Arbeitsrichtung (siehe Anzeige auf dem Fuß).
- Lassen Sie die Maschine nach dem Anbringen der Schneidscheiben in einem sicheren Bereich im Leerlauf laufen. Vibriert die Maschine stark, schalten Sie sie sofort aus, ziehen Sie den Netzstecker aus der Steckdose und versuchen Sie, das Problem zu beheben.
- Seien Sie sich darüber im Klaren, dass die Schneidscheiben nach dem Abschalten der Maschine noch etwas nachlaufen. Versuchen Sie nicht, die Schneidscheiben selbst zum Stillstand zu bekommen.
- Legen Sie die Maschine niemals auf einem Tisch oder einer Werkbank ab, bevor sie nicht abgeschaltet wurde.

Rückschlag

Als Rückschlag wird die Auf- und Rückwärtsbewegung der Schneidscheiben bezeichnet, wenn diese unerwartet auf einen Gegenstand treffen. Halten Sie die Maschine beim Gebrauch sicher mit beiden Händen fest. Konzentrieren Sie sich auf die Arbeit.

Ein Rückschlag wird normalerweise verursacht durch:

- ein unbeabsichtigtes Berühren harter Gegenstände oder Materialien mit den rotierenden Schneidscheiben;
- stumpfe Schneidscheiben;
- Schneidscheiben, die nicht richtig montiert sind;
- Fräsen in einem vorherigen Schnitt;
- mangelnde Aufmerksamkeit bei der Arbeit;
- eine instabile Haltung.

Elektrische Sicherheit



Achten Sie stets darauf, dass die Spannung der Stromversorgung mit der Spannung auf dem Typenschild übereinstimmt.

- Verwenden Sie die Maschine nicht, wenn das Netzkabel oder der Netzstecker beschädigt ist.
- Verwenden Sie nur Verlängerungskabel, die für die Leistungsaufnahme der Maschine geeignet sind und eine Mindestaderstärke von 1.5 mm² haben. Falls Sie eine Kabeltrommel verwenden, rollen Sie das Kabel immer vollständig ab.

2. ANGABEN ZUM WERKZEUG

Einführung

Ihre Mauernutfräse wurde konstruiert, um Schlitze in Mauerwerk zu fräsen. Die Maschine eignet sich nur für rechtshändigen Gebrauch.

TECHNISCHE DATEN

Modellnummer	WC502AC / S_WC502AC / S2_WC502AC
Netzspannung	230V~
Netzfrequenz	50Hz
Leistungsaufnahme	1700W
Leerlaufgeschwindigkeit	4000 min ⁻¹
Schlitzbreite	14/19/29mm
Schlitztiefe	5-40mm
Schneidscheibe Durchmesser:	150mm
Bohrung:	22,2mm
Spindelgewinde	M12
Schutzklasse	IP20
Gewicht	5,1kg
Schalldruck L _{PA}	85,3 dB(A)
Schalleistung L _{WA}	96,3 dB(A)
Unsicherheitsfaktor (K)	3 dB(A)
Vibrationen (Haupthandgriff)	7,214 m/s ²
Vibrationen (Zusatzhandgriff)	5,843 m/s ²
Unsicherheitsfaktor (K)	1,5 m/s ²



Tragen Sie einen Gehörschutz.

Vibrationsintensität

Die in dieser Bedienungsanleitung angegebene Vibrationsintensität wurde mit einem standardisierten Test gemäß EN60745 gemessen. Anhand dieser Größe können Werkzeuge miteinander verglichen werden. Außerdem eignet sich diese Größe für

eine erste Beurteilung der Vibrationsbelastung bei Verwendung des Werkzeugs für die angegebenen Anwendungszwecke.

- Bei Verwendung des Werkzeugs für andere Anwendungen oder mit anderem oder unzureichend gewartetem Zubehör kann sich die Vibrationsbelastung erheblich erhöhen.
- Wenn das Werkzeug ausgeschaltet ist, oder wenn es eingeschaltet ist, jedoch nicht genutzt wird, kann sich die Vibrationsbelastung erheblich verringern.

Schützen Sie sich vor den Auswirkungen der Vibration durch Wartung des Werkzeugs und des Zubehörs, halten Sie Ihre Hände warm, und organisieren Sie Ihren Arbeitsablauf.

BESCHREIBUNG

Die Buchstaben und Ziffern im folgenden Text verweisen auf die Abbildungen auf den Seiten 2 bis 5.

1. Ein-/Ausschalter
2. Ausschalter
3. Arretierknopf für Schlitztiefe
4. Skala für Schlitztiefe
5. Spindelverriegelungstaste
6. Schutzvorrichtung
7. Basis
8. Führungsrolle
9. Anschluss für Staubabsaugvorrichtung
10. Hauptgriff
11. Zusatzgriff
12. Inbusschrauben
13. Inbusschlüssel
14. Spindel
15. Außenflansch
16. Flanschschlüssel
17. Trennscheibe
18. Abstandsscheiben
19. Trennscheibe
20. Spindelhülse
21. Innenflansch
22. Adapter für Staubabsaugvorrichtung
23. Laser
24. Ein-/Aus-Schalter für Laser
25. Batteriefach

3. MONTAGE



Schalten Sie die Maschine vor der Montage aus und ziehen Sie den Netzstecker aus der Steckdose.

Erneuerung der Schneidscheiben (Abb. B - D)

Verschlossene oder beschädigte Schneidscheiben müssen unverzüglich erneuert werden.



- Verwenden Sie ausschließlich scharfe und unbeschädigte Schneidscheiben.
- Verwenden Sie nur Schneidscheiben, die für das zu bearbeitende Material geeignet sind.
- Verwenden Sie nur Schneidscheiben mit einer maximal zulässigen Geschwindigkeit, die der maximalen Leerlaufgeschwindigkeit der Maschine entspricht bzw. diese überschreitet.
- Verwenden Sie ausschließlich Diamant-Schneidscheiben, die für Trockenschnitte geeignet sind.
- Erneuern Sie stets beide Schneidscheiben gleichzeitig.
- Versuchen Sie niemals, die Schutzvorrichtung zu entfernen.

- Legen Sie die Maschine auf eine stabile Oberfläche.
- Lösen Sie die Inbusschrauben (12) mit dem Inbusschlüssel (13).
- Lösen Sie den Sicherungsknopf (3) und senken Sie den Fuß (7).
- Entfernen Sie die Schutzvorrichtung (6).
- Halten Sie die Spindelarrretierungstaste (5) gedrückt, um die Spindel (14) zu arretieren.
- Lösen Sie den Außenflansch (15) mit dem Flanschschlüssel (16). Zum Lösen im Uhrzeigersinn drehen. Zum Festziehen gegen den Uhrzeigersinn drehen.
- Entfernen Sie die alte Schneidscheibe (17), die Abstandsstücke (18), die alte Schneidscheibe (19), die Spindelmanschette (20) und den Innenflansch (21).
- Reinigen Sie gegebenenfalls die Flansche (15 & 21).
- Montieren Sie den Innenflansch (21), die Spindelmanschette (20), die neue Schneidscheibe (19), die Abstandsstücke (18) und die neue Schneidscheibe (17).

- Ziehen Sie den Außenflansch (15) mit dem Flanschschlüssel (16) fest an.
- Lösen Sie die Spindelarrretierungstaste (5) los.
- Bringen Sie die Schutzvorrichtung (6) an.
- Heben Sie den Fuß (7) an und ziehen Sie die Sicherungsknopf (3) an.
- Ziehen Sie die Inbusschrauben (12) mit dem Inbusschlüssel (13) fest an.

4. BETRIEB

Einstellung der Schlitzbreite (Abb. B - E)

Die Schlitzbreite lässt sich durch Verwendung der Abstandsstücke zwischen den Schneidscheiben einstellen. Die Anzahl der Abstandsstücke zwischen den Schneidscheiben bestimmt die Schlitzbreite.



- Stellen Sie die Schlitzbreite nicht während des Gebrauchs ein.
- Bringen Sie mindestens ein Abstandsstück zwischen den Schneidscheiben an.

- Legen Sie die Schlitzbreite fest.
- Bringen Sie die Abstandsstücke (18) in der erforderlichen Reihenfolge um die Schneidscheiben (17 & 19) herum an. Schlagen Sie im Kapitel "Erneuerung der Schneidscheiben" nach.

Einstellung der Schlitztiefe (Abb. A & F)

Die Schlitztiefe ist zwischen 5 und 40 mm einstellbar und kann auf der Skala (4) abgelesen werden.



Stellen Sie die Schlitztiefe nicht während des Gebrauchs ein.

- Lockern Sie den Sicherungsknopf (3).
- Schwenken Sie den Maschinenfuß (7) in die erforderliche Position. Stellen Sie eine Schlitztiefe ein, die ca. 3 mm tiefer ist als die erforderliche Tiefe, um eventuelle Unebenheiten auf der Wandoberfläche auszugleichen.
- Ziehen Sie den Sicherungsknopf (3) an.

Ein- und Ausschalten (Abb. A)

- Um die Maschine einzuschalten, halten Sie die Einschaltsperrle (2) gedrückt und drücken Sie gleichzeitig auf den Ein-/Aus-Schalter (1).
- Um die Maschine auszuschalten, lassen Sie den Ein-/Aus-Schalter (1) los.

Verwendung des Lasers (Abb. A)

- Um den Laser (23) einzuschalten, drücken Sie auf den Ein-/Aus-Schalter (24).
- Um den Laser (8) auszuschalten, lassen Sie den Ein-/Aus-Schalter (24) los.

Überlastungsschutz

Die Maschine ist mit einem Überlastungsschutz ausgerüstet, der die Maschine im Falle einer Überlastung automatisch abschaltet.

- Schalten Sie die Maschine aus.
- Entfernen Sie die Maschine aus dem Werkstück.
- Schalten Sie die Maschine ein.
- Lassen Sie die Maschine ca. 1 Minute im Leerlauf laufen, damit sie sich abkühlt.

Staubabsaugung (Abb. G)

Verwenden Sie die Maschine nur, wenn sie an einer Absaugvorrichtung angeschlossen ist, die für Steinstaub zugelassen ist. Die Absaugvorrichtung muss für das zu bearbeitende Material geeignet sein. Verwenden sie eine spezielle Absaugvorrichtung, wenn Sie mit giftigen Materialien arbeiten oder wenn giftiger Staub verursacht wird.



- *Verwenden Sie niemals einen Haushaltsstaubsauger. Durch die Verwendung eines Haushaltsstaubsaugers schaden Sie sowohl Ihrer Gesundheit als auch dem Staubsauger.*
- *Verwenden Sie stets den Staubabsaugadapter.*
- *Vergewissern Sie sich, dass der Schlauch der Absaugvorrichtung sicher mit dem Staubabsaugadapter verbunden ist.*
- *Falls die Absaugvorrichtung ausfällt, stellen Sie die Arbeit unverzüglich ein, schalten Sie die Maschine aus, ziehen Sie den Netzstecker aus der Steckdose und versuchen Sie, das Problem zu beheben.*

- Stecken Sie den Staubabsaugadapter (22) in die Staubabsaugverbindung (9).
- Verbinden Sie den Schlauch einer Absaugvorrichtung mit dem Staubabsaugadapter (22).

Ratschläge für optimale Arbeitsergebnisse

- Zeichnen Sie Linien, um die Richtung vorzugeben, in der die Schneidscheiben geführt werden.
- Halten Sie die Maschine mit beiden Händen fest.

Lassen Sie die andere Hand am Zusatzgriff (11).

- Stellen Sie die Schlitzbreite ein.
- Führen Sie einen der folgenden Schritte durch:
 - Senken Sie die Maschine in die Wand und stellen Sie die Schlitztiefe (empfohlen) ein. Die Maschine wird gegen die Wand gehalten und die Schneidscheiben werden in die Wand gesenkt, um die Schlitztiefe noch genauer einzustellen.
 - Stellen Sie die Schlitztiefe ein und senken Sie die Maschine in die Wand.
- Halten Sie die Maschine mit der Führungsrolle (8) an die Wand. Vergewissern Sie sich, dass die Schneidscheiben mit den auf die Wand gezeichneten Linien übereinstimmen.
- Stellen Sie die Schlitztiefe ein.
- Schalten Sie die Maschine ein.
- Warten Sie, bis die Maschine ihre volle Geschwindigkeit erreicht hat.
- Bewegen Sie die Maschine langsam die gezeichnete Linie entlang, wobei Sie die Führungsrolle (8) fest gegen die Wand drücken (Abb. H).
- Üben Sie nicht zu viel Druck auf die Maschine aus. Lassen Sie die Maschine die Arbeit verrichten.
- Schalten Sie die Maschine aus und warten Sie, bis sie vollkommen zum Stillstand gekommen ist, bevor Sie sie ablegen.

5. WARTUNG

Trennen Sie die Maschine vom Netz, wenn Sie am Mechanismus Wartungsarbeiten ausführen müssen.

Reinigen Sie das Werkzeuggehäuse regelmäßig mit einem weichen Lappen, vorzugsweise nach jeder Verwendung. Stellen Sie sicher, dass die Lüftungsöffnungen frei von Staub und Schmutz sind. Entfernen Sie anhaftenden Schmutz mit einem weichen Lappen, der leicht mit Seifenwasser befeuchtet wurde. Verwenden Sie keine Lösungsmittel wie Benzin, Alkohol, Ammoniak usw., da Chemikalien dieser Art die Kunststoffteile beschädigen.

Austausch der Batterien (Abb. I)

Der Laser arbeitet mit 2 AAA-Batterien. Sobald der Laser nicht mehr arbeitet, müssen die Batterien ausgetauscht werden.

- Entfernen Sie den Deckel (26) vom Batteriefach (25).
- Entfernen Sie die alten Batterien (27).

- Setzen Sie die neuen Batterien (27) ein.
- Bringen Sie den Deckel (26) am Batteriefach (9) an.

Am Produkt und am Benutzerhandbuch können Änderungen vorgenommen werden. Die technischen Daten können sich ohne Vorankündigung ändern.

UMWELTSCHUTZ



Schadhafte und/oder zu entsorgende elektrische oder elektronische Werkzeuge und Geräte müssen an den dafür vorgesehenen Recycling-Stellen abgegeben werden.

Nur für EG-Länder

Entsorgen Sie Elektrowerkzeuge nicht über den Hausmüll. Entsprechend der EU-Richtlinie 2012/19/EG über Elektro- und Elektronik-Altgeräte sowie der Umsetzung in nationales Recht müssen Elektrowerkzeuge, die nicht mehr im Gebrauch sind, getrennt gesammelt und umweltschonend entsorgt werden.

GARANTIE

VONROC-Produkte werden nach den höchsten Qualitätsstandards entwickelt und sind für den gesetzlich festgelegten Zeitraum, ausgehend von dem ursprünglichen Kaufdatum, garantiert frei von Fehlern in Material und Ausführung. Sollte das Produkt in diesem Zeitraum aufgrund von Material- und/oder Verarbeitungsmängeln Fehler aufweisen, wenden Sie sich bitte direkt an VONROC Kundendienst.

Folgende Umstände sind von der Garantie ausgeschlossen:

- Reparaturen und oder Änderungen an der Maschine, die durch nicht-autorisierte Servicestellen vorgenommen oder versucht wurden.
- Normale Abnutzung und Verschleiß.
- Das Werkzeug wurde übermäßig beansprucht, missbräuchlich verwendet oder falsch gewartet.
- Es wurden keine Original-Ersatzteile verwendet.

Dies stellt die einzige Gewährleistung des Unternehmens dar, sowohl ausdrücklich als auch implizit. Es gibt keine anderen ausdrücklichen oder stillschweigenden Garantien, die über das hier Genannte hinausgehen, einschließlich der stillschweigenden Garantien der Marktgängigkeit oder Eignung für einen bestimmten Zweck. In keinem Fall ist VONROC haftbar für Neben- oder Folgeschäden. Die Rechtsmittel des Händlers beschränken sich auf Reparatur oder Ersatz fehlerhafter Einheiten oder Teile.

1. VEILIGHEIDSVOORSCHRIFTEN

Lees de bijgesloten veiligheidswaarschuwingen, de aanvullende veiligheidswaarschuwingen en de instructies. Het niet opvolgen van de veiligheidswaarschuwingen kan elektrische schokken, brand en/of ernstig letsel tot gevolg hebben. Bewaar de veiligheidswaarschuwingen en instructies als naslagwerk voor later.

De volgende symbolen worden gebruikt in de gebruikershandleiding of op het product:



Lees de gebruikershandleiding.



Gevaar voor persoonlijk letsel.



Gevaar voor elektrische schokken.



Verwijder onmiddellijk de netstekker uit het stopcontact indien de netkabel beschadigd raakt en tijdens reiniging en onderhoud.



*Draag een veiligheidsbril.
Draag gehoorbescherming.*



Draag een stofmasker.



*Gevaar voor rondvliegende voorwerpen.
Houd omstanders uit de buurt van het werkgebied.*



Klasse II apparaat - Dubbel geïsoleerd - Een geaarde stekker is niet noodzakelijk.



Waarschuwing voor laserstraling.



Werp het product niet weg in ongeschikte containers.



Het product is in overeenstemming met de van toepassing zijnde veiligheidsnormen in de Europese richtlijnen.

ALGEMENE VEILIGHEIDSVOORSCHRIFTEN



WAARSCHUWING! Lees alle veiligheidswaarschuwingen en alle instructies. Het niet opvolgen van onderstaande instructies kan leiden tot een elektrische schok, brand en/of ernstig persoonlijk letsel.

Bewaar deze instructies.

De term “elektrisch gereedschap” in onderstaande waarschuwingen heeft betrekking op zowel apparatuur met een vaste elektriciteitskabel als op apparatuur met een accu (draadloze apparatuur).

1) Werkgebied

- Zorg voor een opgeruimde en goed verlichte werkomgeving.** Rommelige en donkere werkomgevingen leiden tot ongelukken
- Gebruik elektrisch gereedschap nooit in een omgeving waar explosiegevaar bestaat, zoals in de nabijheid van ontvlambare vloeistoffen, gassen, dampen of andere stoffen.** Elektrische gereedschappen kunnen vonken veroorzaken, die deze stoffen tot ontbranding kunnen brengen.
- Wanneer u elektrisch gereedschap gebruikt, houd dan kinderen en omstanders op afstand.** Wanneer u wordt afgeleid, kunt u de controle over het gereedschap verliezen.

2) Elektrische veiligheid

- Stekkers van elektrische gereedschappen moeten probleemloos passen op het stopcontact. Breng nooit wijzigingen aan in of aan de stekker. Gebruik geen adapters voor geaarde elektrische gereedschappen.** Standaardstekkers en passende stopcontacten verkleinen de kans op een elektrische schok.
- Voorkom lichamelijk contact met geaarde oppervlakken van bijvoorbeeld pijpen, leidingen, radiatoren, fornuizen en koelkasten.** Wanneer uw lichaam geaard is, wordt de kans op een elektrische schok groter.
- Stel elektrische gereedschappen nooit bloot aan regen of vocht.** Wanneer er water binnendringt in een elektrisch gereedschap, wordt de kans op een elektrische schok groter.
- Gebruik het snoer niet om het elektrisch gereedschap te dragen, te verplaatsen of de stekker uit het stopcontact te trekken. Bescherm het snoer tegen olie, warmte, scherpe randen en bewegende delen.** Beschadigde of vastzittende snoeren vergroten de kans op een elektrische schok.
- Wanneer u elektrische gereedschappen buiten gebruikt, gebruik dan een verlengkabel die geschikt is voor buitengebruik.** Door een kabel te gebruiken die geschikt is voor buitengebruik, wordt de kans op een elektrische schok kleiner.

- f) **Gebruik een aardlekbeveiliging (RCD) als niet te voorkomen is dat een power tool moet worden gebruikt in een vochtige omgeving.** Gebruik van een RCD vermindert het risico van elektrische schokken.
- 3) Persoonlijke veiligheid**
- a) **Blijf altijd alert, kijk goed wat u doet en gebruik uw gezonde verstand wanneer u een elektrisch gereedschap gebruikt. Gebruik geen elektrische gereedschappen wanneer u moe bent, of drugs, alcohol of medicijnen hebt gebruikt.** Eén moment van onachtzaamheid bij het gebruik van elektrische gereedschappen kan ernstige verwondingen tot gevolg hebben.
- b) **Gebruik persoonlijke beschermingsmiddelen. Draag altijd een veiligheidsbril.** Een gepast gebruik van veiligheidsvoorzieningen, zoals een stof masker, speciale werkschoenen met antislipzolen, een veiligheidshelm en gehoorbescherming verkleinen de kans op persoonlijk letsel.
- c) **Voorkom dat het gereedschap per ongeluk wordt gestart. Zorg dat de schakelaar op de UITpositie staat, voordat u de stekker in het stopcontact steekt.** Draag elektrisch gereedschap nooit met uw vinger op de schakelaar en steek ook nooit de stekker van ingeschakelde elektrische gereedschappen in het stopcontact: dit leidt tot ongelukken.
- d) **Verwijder alle instel en andere sleutels uit het elektrisch gereedschap voordat u hem inschakelt.** Instel en andere sleutels aan een ronddraaiend onderdeel van het elektrisch gereedschap kunnen tot verwondingen leiden.
- e) **Zorg dat u nooit uw evenwicht kunt verliezen; houd altijd twee voeten stevig op de vloer.** Hierdoor kunt u het elektrisch gereedschap in onverwachte situaties beter onder controle houden.
- f) **Zorg dat u geschikte kleding draagt. Draag geen loshangende kleding of sieraden. Houd uw haar, kleding en handschoenen uit de buurt van bewegende delen.** Loshangende kleding, sieraden en lang haar kunnen vast komen te zitten in bewegende delen.
- g) **Wanneer er voorzieningen zijn voor de aansluiting van stofafzuiginstallaties, zorg dan dat ze op de juiste wijze worden aangesloten en gebruikt.** Gebruik van deze voorzieningen vermindert de gevaren die door stof worden veroorzaakt.
- h) **Denk niet dat doordat u gereedschap vaak gebruikt, u wel weet hoe het allemaal werkt en dat u de veiligheidsbeginselen voor het gebruik van het gereedschap wel kunt negeren.** Een onbezonnen actie kan in een fractie van een seconde ernstig letsel tot gevolg hebben.
- 4) Gebruik en onderhoud van elektrisch gereedschap**
- a) **Oefen geen overmatige kracht uit op elektrisch gereedschap. Gebruik het juiste gereedschap voor uw specifieke toepassing.** Met het juiste elektrische gereedschap voert u de taak beter en veiliger uit wanneer dit op de snelheid gebeurt waarvoor het apparaat is ontworpen.
- b) **Gebruik nooit elektrisch gereedschap waarvan de AAN/UITschakelaar niet werkt.** Ieder elektrisch gereedschap dat niet kan worden in en uitgeschakeld met de schakelaar is gevaarlijk en moet worden gerepareerd.
- c) **Trek de stekker uit het stopcontact voordat u wijzigingen aanbrengt aan elektrische gereedschappen, accessoires verwisselt of het elektrisch gereedschap opbergt.** Wanneer u zich aan deze preventieve veiligheidsmaatregelen houdt, beperkt u het risico dat het gereedschap per ongeluk wordt gestart.
- d) **Berg elektrisch gereedschap dat niet in gebruik is op buiten bereik van kinderen en laat personen die niet bekend zijn met het gereedschap of deze instructies het apparaat niet gebruiken.** Elektrisch gereedschap is gevaarlijk in de handen van ongevoefde gebruikers.
- e) **Zorg voor een goed onderhoud van elektrisch gereedschap. Controleer of bewegende delen op de juiste wijze zijn vastgezet. Controleer ook of er geen onderdelen defect zijn of dat er andere omstandigheden zijn die van invloed kunnen zijn op de werking van het gereedschap. Laat het gereedschap bij beschadigingen repareren vóór gebruik.** Veel ongelukken worden veroorzaakt door slecht onderhoud van het gereedschap.
- f) **Zorg dat snij en zaagwerktuigen scherp en schoon blijven.** Goed onderhouden snij en zaagwerktuigen met scherpe randen zullen minder snel vastlopen en zijn eenvoudiger onder controle te houden.

- g) **Gebruik alle elektrische gereedschappen, accessoires, bitjes etc., zoals aangegeven in deze instructies en op de wijze waarvoor het gereedschap is ontworpen. Houd daarbij rekening met de werkomstandigheden en de uit te voeren taak.** Gebruik van elektrisch gereedschap voor handelingen die afwijken van de taken waarvoor het apparaat is ontworpen kunnen leiden tot gevaarlijke situaties.
- h) **Houd handgrepen en greepoppervlakken droog, schoon en vrij van olie en vet.** Gladde handgrepen en greepoppervlakken maken veilig werken en controle over het gereedschap in onverwachte situaties onmogelijk.
- 5) Gebruik en onderhoud accugereedschap**
- a) **Laad alleen op met de lader die door de fabrikant is gespecificeerd.** Een lader die voor een bepaalde accu geschikt is, kan brand veroorzaken wanneer deze met een andere accu wordt gebruikt.
- b) **Gebruik elektrisch gereedschap alleen met de speciaal hiervoor bedoelde accu's.** Gebruik van andere accu's kan kans op letsel en brand geven.
- c) **Wanneer de accu niet in gebruik is, houd deze dan uit de buurt van andere metalen voorwerpen zoals paperclips, munten, sleutels, spijkers, schroeven of andere kleine metalen voorwerpen die een verbinding tussen twee polen kunnen maken.** Kortsluiting tussen de accupolen kan brandwonden of brand veroorzaken.
- d) **Wanneer de accu niet juist wordt gebruikt, kan er vloeistof uit lopen; raak dit niet aan. Wanneer dit per ongeluk wel gebeurt, spoel dan met water. Wanneer de vloeistof in de ogen komt, moet u een arts raadplegen.** De vloeistof uit de accu kan irritaties of brandwonden veroorzaken.
- e) **Gebruiken niet een accu of gereedschap dat beschadigd is of gemodificeerd.** Beschadigde of gemodificeerde accu's kunnen onvoorspelbaar gedrag vertonen, wat brand, explosie of een risico van letsel met zich meebrengt.
- f) **Stel een accu over het gereedschap niet bloot aan open vuur of een uitzonderlijk hoge temperatuur.** Blootstelling aan vuur of een temperatuur hoger dan 130 °C, kan een explosie veroorzaken. NB De temperatuur van "130 °C" kan worden vervangen door de

temperatuur van "265 °F".

- g) **Houd u aan alle instructies voor het laden en laad de accu of het gereedschap niet op buiten het temperatuurbereik dat in de instructies wordt aangeduid.** Op een onjuiste wijze laden of laden bij temperaturen buiten het aangeduide bereik kan de accu beschadigen en het risico van brand doen toenemen.
- 6) Service**
- a) **Laat uw gereedschap onderhouden door een gekwalificeerde onderhoudstechnicus die alleen gebruikmaakt van identieke vervangingsonderdelen.** Dit zorgt ervoor dat de veiligheid van de powertool intact blijft.
- b) **Voer nooit servicewerkzaamheden uit aan beschadigde accu's.** Alleen de fabrikant of geautoriseerde service-providers mogen servicewerkzaamheden aan accu's uitvoeren.

AANVULLENDE VEILIGHEIDSWAARSCHUWINGEN VOOR MUURFREES

- **Waarschuwing voor laserstraling.** Laserklasse 2, P max.: <1 mW, λ: 650 nm, EN 60825-1: 2014 Richt de laserstraal niet op personen of dieren en kijk zelf ook niet in de laser, zelfs niet van een afstand. Dit elektrisch gereedschap gebruikt een klasse 2 straling in overeenstemming met de NEN-EN 60825-1. Deze straling kan personen verblinden.
- Bewerk geen materialen die asbest bevatten. Asbest wordt als kankerverwekkend beschouwd.
- Draag een veiligheidsbril, gehoorbescherming en indien nodig andere beschermingsmiddelen, zoals veiligheidshandschoenen, veiligheidsschoenen, etc.
- Verwijder voor gebruik alle spijkers en andere metalen voorwerpen uit de muur.
- Wees bewust van verborgen leidingen en bedrading bij het frezen van sleuven in muren.
- Houd de machine altijd met twee handen vast.
- Gebruik de machine niet zonder de beschermkap.
- Controleer de doorslijpschijven voor ieder gebruik. Gebruik geen doorslijpschijven die verbogen, vervormd of op andere wijze beschadigd zijn.
- Zorg ervoor dat de doorslijpschijven correct zijn gemonteerd.
- Zorg ervoor dat de doorslijpschijven in de juiste richting draaien.

- Gebruik de machine niet met de doorslijpschijven naar boven of zijwaarts gericht.
- Gebruik uitsluitend doorslijpschijven die geschikt zijn voor gebruik met de machine.
- Gebruik uitsluitend doorslijpschijven met de juiste afmetingen.
- Gebruik geen andere accessoires dan doorslijpschijven.
- Gebruik de machine niet wanneer een maximale sleufdiepte nodig is die hoger is dan de maximale sleufdiepte van de doorslijpschijven.
- Zorg ervoor dat uw handen niet in aanraking komen met de draaiende delen.
- Werk altijd in de juiste werkrichting (zie indicatie op de zool).
- Laat na het monteren van de doorslijpschijven de machine onbelast draaien op een veilige plek. Indien de machine sterk vibreert, schakel dan onmiddellijk de machine uit, verwijder de netstekker uit het stopcontact en probeer het probleem te verhelpen.
- Wees erop bedacht dat de doorslijpschijven na het uitschakelen van de machine nog korte tijd blijven doordraaien. Probeer niet zelf de doorslijpschijven tot stilstand te brengen.
- Plaats de machine nooit op een tafel of een werkbank voordat deze is uitgeschakeld.

Terugslag

Terugslag is de op- en achterwaartse beweging die de doorslijpschijven maken wanneer de doorslijpschijven onverwachts met een voorwerp in aanraking komen. Houd de machine tijdens gebruik stevig met beide handen vast. Houd uw aandacht bij de werkzaamheden.

Terugslag wordt meestal veroorzaakt door:

- het met de draaiende doorslijpschijven onbedoeld raken van harde voorwerpen of materialen;
- botte doorslijpschijven;
- verkeerd gemonteerde doorslijpschijven;
- nogmaals door een bestaande snede gaan;
- gebrek aan aandacht bij de werkzaamheden;
- een instabiele werkhouding.

Elektrische veiligheid



Controleer altijd of de spanning van de stroomtoevoer overeenkomt met de spanning op het typeplaatje.

- Gebruik de machine niet indien het netsnoer of de netstekker zijn beschadigd.
- Gebruik uitsluitend verlengkabels die geschikt zijn voor het vermogen van de machine met een minimale dikte van 1.5 mm². Indien u een verlengkabelhaspel gebruikt, rol dan altijd de kabel volledig uit.

2. TECHNISCHE INFORMATIE

Bedoeld gebruik

Uw muurfrees is ontworpen voor het maken van sleuven in metselwerk. De machine is uitsluitend geschikt voor rechtshandig gebruik.

TECHNISCHE SPECIFICATIES

Model Nr.	WC502AC / S_WC502AC / S2_WC502AC
Netspanning	230V~
Netfrequentie	50Hz
Ingangsspanning	1700W
Toerental onbelast	4000 min ⁻¹
Sleufbreedte	14/19/29mm
Sleufdiepte	5-40mm
Doorslijpschijf Diameter:	150mm
Asgat:	22,2mm
Asdraad	M12
Beschermingsklasse	IP20
Gewicht	5,1kg
Geluidsdruk L _{pk}	85,3 dB(A)
Geluidsvermogen L _{wa}	96,3 dB(A)
Onzekerheid (K)	3 dB(A)
Vibratie (hoofdhandgreep)	7,214 m/s ²
Vibratie (extra handgreep)	5,843 m/s ²
Onzekerheid (K)	1,5 m/s ²



Draag gehoorbescherming.

Trillingsniveau

Het trillingsemissieniveau, dat in deze gebruiksaanwijzing wordt vermeld, is gemeten in overeenstemming met een gestandaardiseerde test volgens EN 60745; deze mag worden gebruikt om twee machines met elkaar te vergelijken en als voorlopige be-

oordeling van de blootstelling aan trilling bij gebruik van de machine voor de vermelde toepassingen.

- Het gebruik van de machine voor andere toepassingen, of met andere of slecht onderhouden accessoires, kan het blootstellingsniveau aanzienlijk verhogen.
- Wanneer de machine is uitgeschakeld of wanneer deze loopt maar geen werk verricht, kan dit het blootstellingsniveau aanzienlijk reduceren.

Bescherm uzelf tegen de gevolgen van trilling door de machine en de accessoires te onderhouden, uw handen warm te houden en uw werkwijze te organiseren.

BESCHRIJVING

De nummers in de tekst verwijzen naar de diagrammen op pagina 2 -5.

1. Aan/Uit-schakelaar
2. Knop voor vergrendeling in de Uit-stand
3. Vergrendelingsknop voor sleufdiepte
4. Schaalverdeling voor sleufdiepte
5. Asvergrendelingsknop
6. Beschermkap
7. Grondplaat
8. Geleideroller
9. Aansluiting stofafzuiging
10. Hoofdhandgreep
11. Hulphandgreep
12. Inbusschroeven
13. Inbussleutel
14. As
15. Buitenste flens
16. Flenssleutel
17. Zaagschijf
18. Tussenringen
19. Zaagschijf
20. Askraag
21. Binnenste flens
22. Adapter stofafzuiging
23. Laser
24. Aan/uit-schakelaar voor laser
25. Batterijcompartiment

3. ASSEMBLAGE



Schakel voor assemblage altijd de machine uit en verwijder de netstekker uit het stopcontact.

Vervangen van de doorslijpschijven (fig. B - D)

Versleten of beschadigde doorslijpschijven moeten onmiddellijk worden vervangen.



- *Gebruik uitsluitend scherpe en onbeschadigde doorslijpschijven.*
- *Gebruik uitsluitend doorslijpschijven die geschikt zijn voor het te bewerken materiaal.*
- *Gebruik uitsluitend doorslijpschijven met een maximaal toegestane snelheid die gelijk is aan of hoger is dan de maximale snelheid van de machine in onbelaste toestand.*
- *Gebruik uitsluitend doorslijpschijven die geschikt zijn voor droog frezen.*
- *Vervang beide doorslijpschijven altijd tegelijkertijd.*
- *Probeer nooit de beschermkap te verwijderen.*

- Plaats de machine op een stabiel oppervlak.
- Draai de inbusschroeven (12) los met behulp van de inbussleutel (13).
- Draai de vergrendelingsknop (3) los en breng de zool (7) naar beneden.
- Verwijder de beschermkap (6).
- Houd de asvergrendelingsknop (5) ingedrukt om de as (14) te vergrendelen.
- Draai de buitenste flens (15) los met behulp van de flenssleutel (16). Draai met de klok mee om los te draaien. Draai om vast te draaien tegen de klok in.
- Verwijder de oude doorslijpschijf (17), de afstandsrings (18), de oude doorslijpschijf (19), de opnamehuls (20) en de binnenste flens (21).
- Reinig indien nodig de flenzen (15 & 21).
- Monteer de binnenste flens (21), de opnamehuls (20), de nieuwe doorslijpschijf (19), de afstandsrings (18) en de nieuwe doorslijpschijf (17).
- Draai de buitenste flens (15) stevig vast met behulp van de flenssleutel (16).
- Laat de asvergrendelingsknop (5) los.
- Monteer de beschermkap (6).
- Breng de zool (7) omhoog en draai de vergrendelingsknop (3) vast.
- Draai de inbusschroeven (12) stevig vast met behulp van de inbussleutel (13).

4. BEDIENING

Instellen van de sleufbreedte (fig. B - E)

De sleufbreedte kan worden ingesteld met behulp van de afstandsringen tussen de doorslijpschijven. Het aantal afstandsringen tussen de doorslijpschijven bepaalt de sleufbreedte.



- *Stel de sleufbreedte niet in tijdens gebruik.*
- *Monteer altijd minimaal één afstandsring tussen de doorslijpschijven.*

- Bepaal de sleufbreedte.
- Monteer de afstandsringen (18) in de gewenste volgorde rond de doorslijpschijven (17 & 19). Zie het hoofdstuk "Vervangen van de doorslijpschijven".

Instellen van de sleufdiepte (fig. A & F)

De sleufdiepte is variabel tussen 5 en 40 mm. De sleufdiepte kan worden afgelezen op de schaal (4).



Stel de sleufdiepte niet in tijdens gebruik.

- Draai de vergrendelingsknop (3) een paar slagen los.
- Kantel de zool (7) naar de gewenste positie. Stel een sleufdiepte in die ongeveer 3 mm dieper is dan de gewenste diepte om eventuele oneffenheden in het muuroppervlak te compenseren.
- Draai de vergrendelingsknop (3) vast.

In- en uitschakelen (fig. A)

- Om de machine in te schakelen, houdt u de ontgrendelingsknop (2) ingedrukt en drukt gelijktijdig de aan/uit-schakelaar (1) in.
- Om de machine uit te schakelen, laat u de aan/uit-schakelaar (1) los.

Gebruiken van de laser (fig. A)

- Om de laser (23) in te schakelen, drukt u de aan/uit-schakelaar (24) in.
- Om de laser (23) uit te schakelen, laat u de aan/uit-schakelaar (24) los.

Overbelastingsbeveiliging

De machine is voorzien van een overbelastingsbeveiliging die de machine in geval van overbelasting automatisch uitschakelt.

- Schakel de machine uit.
- Verwijder de machine van het werkstuk.
- Schakel de machine in.
- Laat de machine ongeveer 1 minuut onbelast draaien om de machine te laten afkoelen.

Stofafzuiging (fig. G)

Gebruik de machine uitsluitend wanneer ze is aangesloten op een stofafzuigvoorziening die is goedgekeurd voor steenstof. De stofafzuigvoorziening moet geschikt zijn voor het te bewerken materiaal. Gebruik een speciale stofafzuigvoorziening bij het werken met giftige materialen of op plaatsen waar giftige stof wordt geproduceerd.



- *Gebruik nooit een huishoudstofzuiger. Het gebruik van een huishoudstofzuiger kan eenvoudig schade toebrengen aan uw gezondheid en aan de stofzuiger.*
- *Gebruik altijd de stofafzuigadapter.*
- *Zorg ervoor dat de slang van de stofafzuigvoorziening stevig is aangesloten op de stofafzuigadapter.*
- *Indien de stofafzuigvoorziening uitvalt, stop dan onmiddellijk met werken, schakel de machine uit, verwijder de netstekker uit het stopcontact en probeer het probleem te verhelpen.*

- Plaats de stofafzuigadapter (22) in de stofafzuigaansluiting (9).
- Sluit de slang van een stofafzuigvoorziening aan op de stofafzuigadapter (22).

Aanwijzingen voor optimaal gebruik

- Teken lijnen om de richting te bepalen waarin de doorslijpschijven moeten worden geleid.
- Houd de machine met beide handen vast. Houd uw andere hand op de hulphandgreep (11).
- Stel de sleufbreedte in.
- Verricht een van de volgende stappen:
 - *Breng de machine omlaag in de muur en stel de sleufdiepte in (aanbevolen).* De machine wordt tegen de muur geplaatst en de doorslijpschijven gaan omlaag de muur in. Zodoende wordt de sleufdiepte nauwkeuriger ingesteld.

- Stel de sleufdiepte in en breng de machine omlaag in de muur.
- Plaats de machine met de geleiderol (8) op de muur. Zorg ervoor dat de doorslijpschijven op een lijn zijn met de getekende lijnen op de muur.
- Stel de sleufdiepte in.
- Schakel de machine in.
- Wacht totdat de machine volledig op snelheid is.
- Beweeg de machine langs de vooraf getekende lijnen van boven naar beneden, waarbij de geleiderol (8) stevig tegen de muur wordt gedrukt (fig.H).
- Oefen niet te veel druk uit op de machine. Laat de machine het werk doen.
- Schakel de machine uit en wacht tot de machine volledig tot stilstand is gekomen voordat u de machine wegzet.

5. ONDERHOUD



Zorg dat de machine niet onder spanning staat wanneer onderhoudswerkzaamheden aan het mechaniek worden uitgevoerd.

Reinig de machinebehuizing regelmatig met een zachte doek, bij voorkeur iedere keer na gebruik. Zorg dat de ventilatiesleuven vrij van stof en vuil zijn. Gebruik bij hardnekkig vuil een zachte doek bevochtigd met zeepwater. Gebruik geen oplosmiddelen als benzine, alcohol, ammonia, etc. Dergelijke stoffen beschadigen de kunststof onderdelen.

Vervangen van de batterijen (fig. I)

De laser maakt gebruik van 2 AAA-batterijen. Indien de laser stopt met werken, moeten de batterijen worden vervangen.

- Verwijder het deksel (26) van het batterijcompartiment (25).
- Verwijder de oude batterijen (227).
- Plaats de nieuwe batterijen (27).
- Monteer het deksel (26) op het batterijcompartiment (25).

MILIEU



Defecte en/of afgedankte elektrische of elektronische gereedschappen dienen ter verwerking te worden aangeboden aan een daarvoor verantwoordelijke instantie.

Uitsluitend voor EG-landen

Werp elektrisch gereedschap niet weg bij het huisvuil. Conform de Europese Richtlijn 2012/19/EG voor Afgedankte Elektrische en Elektronische Apparatuur en de implementatie ervan in nationaal recht moet niet langer te gebruiken elektrisch gereedschap gescheiden worden verzameld en op een milieuvriendelijke wijze worden verwerkt.

GARANTIE

VONROC producten zijn ontworpen volgens de hoogste kwaliteitsstandaarden en gegarandeerd vrij van defecten, zowel materieel als fabrieksfouten, tijdens de wettelijk vastgestelde garantieperiode vanaf de eerste aankoopdatum. Mocht het product tijdens deze periode gebreken vertonen veroorzaakt door defecte materialen en/of fabrieksfouten, neem dan rechtstreeks contact op met VONROC.

De volgende situaties vallen niet onder de garantie:

- Er zijn reparaties of aanpassingen aan de machine uitgevoerd, of er is een poging daartoe ondernomen, door een nietgeautoriseerd servicecentrum.
- Normale slijtage.
- De machine is misbruikt, verkeerd gebruikt of slecht onderhouden.
- Er zijn niet-originele reserveonderdelen gebruikt

Dit vormt de enige garantie opgesteld door het bedrijf zowel expliciet als impliciet. Er bestaan geen andere garanties expliciet of impliciet welke verder gaan dan deze garantie, inclusief impliciete garanties van verkoopbaarheid en geschiktheid voor bepaalde doeleinden. In geen enkel geval kan VONROC aansprakelijk worden gesteld voor incidentele schade of gevolgschade. Reparaties van dealers zijn gelimiteerd tot de reparatie of vervanging van defecte producten of onderdelen.

Het product en de gebruikershandleiding zijn onderhevig aan wijzigingen. Specificaties kunnen zonder opgaaf van redenen worden gewijzigd.

1. CONSIGNES DE SÉCURITÉ

En plus des avertissements de sécurité suivants, veuillez également lire les avertissements de sécurité additionnels ainsi que les instructions. Le non-respect des avertissements de sécurité et des instructions peut entraîner une décharge électrique, un incendie et/ou des blessures graves. Veuillez conserver les avertissements de sécurité et les instructions pour consultation ultérieure.

Les symboles suivants sont utilisés dans le manuel d'utilisation ou apposés sur le produit:



Lisez le manuel d'utilisation.



Risque de blessures.



Risque d'électrocution.



Débranchez immédiatement la fiche de la prise secteur si le câble secteur est endommagé ainsi que durant le nettoyage et la maintenance.



Portez des lunettes de protection.
Portez une protection auditive.



Portez un masque anti-poussière.



Risque de projection d'objets. Maintenez les passants à l'écart de la zone de travail.



Machine de classe II - Double isolation - Vous n'avez pas besoin de prise avec mise à la terre.



Avertissement de rayonnement laser.



Ne jetez pas le produit dans des conteneurs qui ne sont pas prévus à cet effet.



Le produit est conforme aux normes de sécurité en vigueur spécifiées dans les directives européennes.

CONSIGNES GÉNÉRALES DE SÉCURITÉ



AVERTISSEMENT! Veuillez lire l'intégralité des avertissements de sécurité et des instructions. Le nonrespect de toutes les instructions indiquées cidessous peut entraîner un risque de choc électrique, d'incendie et/ou de blessures graves.

Conservez ces instructions.

Le terme "appareil électrique" mentionné dans tous les avertissements cidessous se rapporte à un appareil électrique qui se branche au réseau électrique (grâce à un câble d'alimentation) ou à un appareil électrique (sans fil) fonctionnant grâce à une batterie.

1) espace de travail

- a) **Veillez toujours à garder votre espace de travail propre et bien éclairé.** Les espaces mal rangés et sombres peuvent être la cause d'accidents.
- b) **N'utilisez pas les appareils électriques dans des environnements susceptibles d'explosion, par exemple en présence de liquides inflammables, de gaz ou de particules.** Les appareils électriques provoquent des étincelles qui peuvent enflammer les particules des émanations.
- c) **Veillez à garder éloignés les enfants et les personnes se trouvant dans votre voisinage, lors de l'utilisation d'un appareil électrique.** Les distractions peuvent vous faire perdre le contrôle de l'appareil.

2) mesures de sécurité électriques

- a) **Les prises des appareils électriques doivent être raccordées à la prise murale correspondante. Ne modifiez jamais la prise de l'appareil, de quelque façon que ce soit. N'utilisez pas d'adaptateurs qui mettent les appareils électriques à la terre (mise à la masse).** Des prises non modifiées et branchées à la prise murale correspondante réduiront les risques de choc électrique.
- b) **Évitez le contact direct avec les surfaces mises à la terre ou mises à la masse comme les canalisations, les radiateurs, les cuisinières et les réfrigérateurs.** En effet, le risque de choc électrique s'accrut si votre corps est mis à la terre ou à la masse.
- c) **N'utilisez pas d'outils électriques dans des environnements pluvieux ou humides.** Si de l'eau s'introduit dans un appareil électrique, le risque de choc électrique augmentera.

- d) **N'utilisez pas le câble de manière abusive. N'utilisez jamais le câble pour transporter, tirer ou débrancher l'appareil électrique. Veillez à garder le câble éloigné des sources de chaleur, des huiles, des rebords coupants ou des pièces actionnées.** Les câbles endommagés ou entremêlés augmentent le risque de choc électrique.
- e) **Lorsque un appareil est utilisé à l'extérieur, utilisez uniquement un câble prolongateur prévu à cet effet.** L'utilisation d'un câble à usage extérieur réduit le risque de choc électrique.
- f) **Si vous êtes contraint d'utiliser un outil électrique dans un environnement humide, utilisez une alimentation protégée par un dispositif à courant résiduel (RCD).** L'utilisation d'un RCD réduit le risque de décharge électrique.
- 3) Sécurité personnelle**
- a) **Restez vigilant, gardez un œil sur ce que vous faites et utilisez votre sens commun lors de l'utilisation d'un appareil électrique. N'utilisez pas un appareil électrique si vous êtes fatigué ou si vous êtes sous l'influence de drogues, d'alcool ou si vous prenez des médicaments.** Un moment d'inattention lors de l'utilisation des appareils électriques peut entraîner des blessures graves.
- b) **Utilisez un équipement de protection personnelle. Protégez-vous toujours les yeux.** Les équipements de protection, tels qu'un masque à poussière, des chaussures antidérapantes, des protections auditives ou un casque de sécurité, utilisés dans de bonnes conditions, réduiront le risque de blessures.
- c) **Prévenez tout démarrage involontaire. Assurez-vous que l'interrupteur est sur la position "arrêt avant de brancher l'appareil.** En effet, le transport des appareils électriques en gardant vos doigts sur l'interrupteur, ou le branchement de ces appareils en ayant l'interrupteur sur "marche" accidents.
- d) **Retirez les clés de réglage ou les clés de vis de réglage avant d'allumer l'appareil électrique.** Une clé de vis de réglage ou une clé, laissée sur une pièce en mouvement de l'appareil électrique, peut entraîner des lésions corporelles.
- e) **Ne pas se précipiter. Gardez toujours vos pieds à plat et gardez votre équilibre.** Ceci permet de mieux contrôler l'appareil électrique dans des situations imprévues.
- f) **Habillez-vous convenablement. Ne portez pas de vêtements lâches ou de bijoux. Gardez vos cheveux, vêtements et gants éloignés des pièces actionnées.** En effet, ces derniers peuvent être pris dans les pièces en action.
- g) **Si les appareils sont fournis pour la connexion des équipements d'évacuation et de récupération de la poussière, assurez-vous que ces derniers soient correctement connectés et utilisés.** L'utilisation de ces appareils peut réduire les risques liés à la poussière.
- h) **Ne pensez pas être familiarisé avec l'outil après l'avoir utilisé à de nombreuses reprises, au point de ne plus rester vigilant et d'en oublier les consignes de sécurité.** Toute action imprudente peut engendrer de graves blessures en une fraction de seconde.
- 4) Utilisation et entretien d'un appareil électrique**
- a) **Ne forcez pas l'appareil électrique. Utilisez l'appareil électrique adéquat pour votre application.** Un appareil électrique correctement choisi assurera un meilleur travail et un travail sans danger, au rythme auquel il a été conçu.
- b) **N'utilisez pas l'appareil électrique si l'interrupteur marche/arrêt ne fonctionne pas.** Un appareil électrique qui ne peut pas être commandé par l'interrupteur de contrôle est dangereux et doit être réparé.
- c) **Débranchez la prise du bloc d'alimentation avant d'effectuer des réglages, de changer des accessoires, ou de ranger les appareils électriques.** Ces mesures de sécurité préventives réduiront le risque de démarrage involontaire de l'appareil électrique.
- d) **Rangez les appareils électriques arrêtés hors de la portée des enfants et ne laissez aucune personne, non familiarisée avec l'outil ou ces instructions, utiliser l'appareil électrique.** Les appareils électriques sont dangereux entre les mains d'utilisateurs non formés.
- e) **Entretenez les appareils électriques. Vérifiez tout défaut d'alignement et l'enchaînement des pièces actionnées, la rupture de ces dernières, et les autres conditions qui peuvent affecter le fonctionnement des appareils électriques. En cas de dommages, faites réparer l'appareil électrique avant de le réutiliser.** Nombreux sont les accidents provoqués par des appareils électriques mal entretenus.
- f) **Veillez à garder les outils coupants aiguisés et propres.** Des outils coupants correctement

entretenus avec des lames aiguisées sont moins susceptibles de se bloquer et sont plus faciles à contrôler.

- g) **Utilisez l'appareil électrique, les accessoires et les embouts, etc., conformément à ces instructions et de la manière prévue pour le type spécifique de l'appareil électrique, en prenant en compte les conditions de travail et le travail à effectuer.**

L'utilisation de l'appareil électrique dans des applications différentes de celles prévues peut entraîner des situations dangereuses.

- h) **Gardez les poignées et les surfaces de préhension sèches, propres et exemptes d'huile et de graisse.**

Des poignées et des surfaces de préhension glissantes ne permettent pas de manipuler et de contrôler l'outil correctement en cas de situations inattendues.

- h) **Gardez les poignées et les surfaces de préhension sèches, propres et exemptes d'huile et de graisse.**

Des poignées et des surfaces de préhension glissantes ne permettent pas de manipuler et de contrôler l'outil correctement en cas de situations inattendues.

- 5) **Utiliser et soigner les outils à batterie**

- a) **Rechargez la batterie uniquement avec le chargeur spécifié par le fabricant.** Un chargeur adapté à une certaine batterie peut être cause de danger d'incendie quand on l'utilise avec une batterie différente.
- b) **Utilisez chaque outil uniquement avec la batterie conçue pour lui.** L'utilisation de toute autre batterie peut être cause de danger de blessure ou d'incendie.
- c) **Lorsque une batterie n'est pas en usage, gardez-la hors d'atteinte d'objets métalliques tels que les trombones, pièces de monnaie, clés, clous, vis et autres petits objets métalliques pouvant faire le contact entre une borne et l'autre.** Un court-circuit entre les bornes de la batterie peut être cause de brûlures ou d'incendie.
- d) **Dans des circonstances extrêmes, du liquide peut gicler hors de la batterie ; évitez tout contact. En cas de contact accidentel, rincez à l'eau. En cas de contact du liquide avec les yeux, consultez un médecin.** Le liquide qui gicle d'une batterie peut causer irritations ou brûlures.
- e) **N'utilisez pas un bloc-batterie ou un outil endommagé ou modifié.** Une batterie endommagée ou altérée peut avoir un comportement imprévisible qui peut conduire à un

incendie, une explosion ou un risque de blessure.

- f) **N'exposez pas le bloc-batterie ou l'outil au feu ou à des températures excessives.** L'exposition au feu ou à des températures dépassant 130 °C peut provoquer une explosion. REMARQUE La température de "130°C" peut être remplacé par la température de "265°F".
- g) **Respectez les instructions pour la charge et ne rechargez pas le bloc-batterie ou l'outil à une plage de températures hors de celle spécifiée dans les instructions.** Une charge mal effectuée ou à des températures hors de la plage spécifiée peut endommager la batterie et augmente le risque d'incendie.

- 6) **Maintenance**

- a) **L'entretien de votre outil électrique doit être confié à un réparateur qualifié qui utilise uniquement des pièces de rechange identiques aux pièces d'origine.** Cela permet d'assurer la sécurité de l'outil électrique.
- b) **Ne réparez jamais des blocs-batteries endommagés.** Les réparations sur les blocs-batteries ne doivent être effectuées que par le fabricant ou l'un de ses prestataires de services agréés.

AVERTISSEMENTS DE SÉCURITÉ ADDITIONNELS POUR LE FRAISEUSE MURALE

- **Avertissement de rayonnement laser.** Classe de laser 2, P max : <1 mW, λ: 650 nm, EN 60825-1: 2014 Ne pas diriger le faisceau laser vers les personnes ou les animaux et ne pas regarder directement le faisceau laser, même de loin. Cet outil électrique génère une radiation laser de classe 2 selon EN 60825-1. Il est capable de provoquer la cécité.
- Ne travaillez pas sur des matériaux contenant de l'amiante. L'amiante est considéré comme carcinogène.
- Portez des lunettes de sécurité, une protection auditive et, si nécessaire, d'autres moyens de protection personnelle comme des gants de sécurité, des chaussures de sécurité, etc.
- Avant toute utilisation, retirez tous les clous et autres objets métalliques du mur.
- Faites attention aux tuyaux et aux câblages cachés lorsque vous pratiquez des saignées dans les murs.
- Maintenez toujours la machine à deux mains.
- N'utilisez pas la machine sans le carter

de protection.

- Vérifiez l'état des disques de coupe avant chaque utilisation. N'utilisez pas de disques de coupe courbés, fissurés ou autrement endommagés.
- Assurez-vous que les disques de coupe sont correctement montés.
- Assurez-vous que les disques de coupe tournent dans le sens correct.
- N'utilisez pas la machine avec les disques de coupe dirigés vers le haut ou latéralement.
- Utilisez uniquement des disques de coupe adaptés à cette machine.
- Utilisez uniquement des disques de coupe aux dimensions correctes.
- N'utilisez pas d'autre accessoire que les disques de coupe.
- N'utilisez pas la machine si la profondeur de saignée maximum nécessaire dépasse celle des disques de coupe.
- Assurez-vous de maintenir vos mains hors de portée des pièces rotatives.
- Travaillez toujours dans le sens de travail correct (voir indication sur la base).
- Une fois les disques de coupe en place, laissez la machine tourner sans charge dans une zone sécurisée. En cas de fortes vibrations de la machine, mettez-la immédiatement hors tension, débranchez la fiche de la prise secteur et essayez de résoudre le problème.
- Attention: après avoir mis la machine hors tension, les disques de coupe continuent de tourner pendant une période brève. N'essayez jamais d'immobiliser vous-même les disques de coupe.
- Ne posez jamais la machine sur une table ou un établi sans l'avoir mise hors tension.

Recul

Le recul correspond au mouvement vers le haut et l'arrière des disques de coupe lorsqu'ils touchent inopinément un objet. Tenez fermement la machine des deux mains pendant l'utilisation. Restez concentré sur le travail effectué.

Le recul est habituellement provoqué par:

- un contact inattendu avec des objets ou des matériaux durs alors que les disques de coupe tournent;
- des disques de coupe émoussés;
- un montage incorrect des disques de coupe;
- la découpe dans une trace de coupe existante;

- un défaut d'attention lors du travail;
- une position instable.

Sécurité électrique



Vérifiez si la tension d'alimentation électrique correspond bien à celle de la plaque signalétique.

- N'utilisez pas la machine si le câble secteur ou la fiche secteur est endommagé.
- Utilisez uniquement des rallonges adaptées à la puissance nominale de la machine et d'une section minimum de 1,5 mm². Si vous utilisez une bobine de rallonge, déroulez toujours complètement le câble.

2. INFORMATIONS RELATIVES À LA MACHINE

Utilisation prévue

Votre rainureuse a été conçue pour pratiquer des saignées dans la maçonnerie. La machine est uniquement adaptée à un usage par des droitiers.

SPÉCIFICATIONS TECHNIQUES

N° de modèle	WC502AC / S_WC502AC / S2_WC502AC
Tension secteur	230V~
Fréquence secteur	50Hz
Puissance	1700W
Vitesse à vide	4000 min ⁻¹
Largeur de saignée	14/19/29mm
Profondeur de saignée	5-40mm
Disque de coupe	
Diamètre:	150mm
Trou d'axe:	22,2mm
Filetage d'axe	M12
Classe de protection	IP20
Poids	5,1kg
Pression acoustique L _{PA}	85,3 dB(A)
Puissance acoustique L _{WA}	96,3 dB(A)
Incertitude (K)	3 dB(A)
Vibration (poignée principale)	7,214 m/s ²
Vibration (poignée auxiliaire)	5,843 m/s ²
Incertitude (K)	1,5 m/s ²



Portez une protection auditive.

Niveau de vibrations

Le niveau des vibrations émises, indiqué dans ce manuel, a été mesuré conformément à la procédure décrite par la norme EN60745. Il peut être utilisé pour comparer deux outils ou pour réaliser une estimation préalable de l'exposition aux vibrations lors de l'utilisation de l'outil pour les applications mentionnées.

- L'utilisation de l'outil dans d'autres applications ou avec des accessoires différents ou mal entretenus peut considérablement augmenter le niveau d'exposition.
- La mise hors tension de l'outil et sa non-utilisation pendant qu'il est allumé peuvent considérablement réduire le niveau d'exposition.

Protégez-vous contre les effets des vibrations par un entretien correct de l'outil et de ses accessoires, en vous échauffant les mains et en organisant vos rythmes de travail.

DESCRIPTION

Les numéros dans le texte se rapportent aux schémas des pages 2 - 5.

1. Interrupteur Marche/Arrêt
2. Bouton de verrouillage
3. Bouton de verrouillage pour la profondeur du rainurage
4. Graduation pour la profondeur du rainurage
5. Bouton de verrouillage de l'axe
6. Carter de lame
7. Semelle
8. Rouleau de guidage
9. Raccord pour extraction des poussières
10. Poignée principale
11. Poignée auxiliaire
12. Vis Allen
13. Clé Allen
14. Axe
15. Bride extérieure
16. Clé pour bride
17. Disque à tronçonner
18. Entretoises
19. Disque à tronçonner
20. Douille de l'axe
21. Bride intérieure
22. Adaptateur pour extraction des poussières

23. Laser
24. Interrupteur marche/arrêt (laser)
25. Logement de pile

3. MONTAGE



Avant le montage, mettez toujours la machine hors tension et débranchez la fiche de la prise secteur.

Remplacement des disques de coupe (fig. B - D)

Des disques de coupe usés ou endommagés doivent être immédiatement remplacés.



- Utilisez uniquement des disques de coupe tranchants et en bon état.
 - Utilisez uniquement des disques de coupe adaptés au matériau à ouvrir.
 - Utilisez uniquement des disques de coupe dont la vitesse maximum autorisée est égale ou supérieure à celle de la machine à vide.
 - Utilisez uniquement des disques de coupe à diamant adaptés à la coupe à sec.
 - Remplacez toujours les deux disques de coupe en même temps.
 - N'essayez jamais d'enlever le carter de protection.
- Placez la machine sur une surface stable.
 - Desserrez les vis Allen (12) avec la clé Allen (13).
 - Desserrez le bouton de blocage (3) et abaissez la base (7).
 - Enlevez le carter de protection (6).
 - Maintenez le bouton de blocage de l'axe (5) enfoncé pour bloquer l'axe (14).
 - Desserrez la bride extérieure (15) avec la clé à bride (16). Pour desserrer, tournez dans le sens des aiguilles d'une montre. Pour serrer, tournez dans le sens anti-horaire.
 - Retirez l'ancien disque de coupe (17), les pièces d'écartement (18), le second ancien disque de coupe (19), la bague d'axe (20) et la bride intérieure (21).
 - Si nécessaire, nettoyez les brides (15 & 21).
 - Montez la bride intérieure (21), la bague d'axe (20), le nouveau disque de coupe (19), les pièces d'écartement (18) et le second nouveau disque de coupe (17).
 - Serrez fermement la bride extérieure (15) avec la clé à bride (16). Pour desserrer, tournez dans

le sens des aiguilles d'une montre. Pour serrer, tournez dans le sens anti-horaire.

- Relâchez le bouton de blocage de l'axe (5).
- Montez le carter de protection (6).
- Levez la base (7) et serrez le bouton de blocage (3).
- Serrez fermement les vis Allen (12) avec la clé Allen (13).

4. FONCTIONNEMENT

Réglage de la largeur de saignée (fig. B - E)

La largeur de saignée est réglable avec les pièces d'écartement entre les disques de coupe. Le nombre de pièces d'écartement entre les disques de coupe détermine la largeur de saignée.



- *Ne réglez pas la largeur de saignée pendant l'utilisation.*
- *Montez toujours au moins une pièce d'écartement entre les disques de coupe.*

- Déterminez la largeur de saignée.
- Montez les pièces d'écartement (18) autour des disques de coupe (17 & 19) dans l'ordre requis. Voir le chapitre "Remplacement des disques de coupe".

Réglage de la profondeur de saignée (fig. A & F)

La profondeur de saignée varie entre 5 et 40 mm. Vous pouvez contrôler la profondeur de saignée sur l'échelle (4).



Ne réglez pas la profondeur de saignée pendant l'utilisation.

- Desserrez le bouton de blocage (3).
- Inclinez la base (7) sur la position désirée. Réglez une profondeur de saignée plus profonde d'environ 3 mm que la profondeur requise afin de compenser les possibles irrégularités de la surface du mur.
- Serrez le bouton de blocage (3).

Mise en marche et arrêt (fig. A)

- Pour mettre la machine en marche, enfoncez le bouton de déblocage (2) sans le relâcher tout en appuyant sur l'interrupteur marche/arrêt (1).
- Pour arrêter la machine, relâchez l'interrupteur marche/arrêt (1).

Utilisation du laser (fig. A)

- Pour mettre le laser (23) en marche, appuyez sur l'interrupteur marche/arrêt (24).
- Pour arrêter le laser (23), relâchez l'interrupteur marche/arrêt (24).

Protection contre les surcharges

La machine comporte un dispositif de protection contre les surcharges qui l'éteint automatiquement en cas de surcharge.

- Arrêtez la machine.
- Retirez la machine de la pièce à ouvrir.
- Mettez la machine en marche.
- Faites fonctionner la machine sans charge pendant environ 1 minute pour la faire refroidir.

Aspiration de la poussière (fig. G)

Utilisez la machine uniquement si elle est raccordée à un aspirateur compatible avec la poussière de pierre. L'aspirateur doit être adapté au matériau ouvré. Utilisez un aspirateur spécial pour travailler sur des matériaux toxiques ou générant une poussière toxique.



- *N'utilisez jamais un aspirateur domestique. L'emploi d'un aspirateur domestique peut non seulement facilement endommager l'aspirateur mais également affecter votre santé.*
- *Utilisez toujours un adaptateur d'extraction de poussière.*
- *Assurez-vous que le flexible de l'aspirateur est fermement connecté à l'adaptateur d'extraction de poussière.*
- *Si l'aspirateur est endommagé, cessez immédiatement de travailler, mettez la machine hors tension, débranchez la fiche de la prise secteur et essayez de résoudre le problème.*

- Insérez l'adaptateur d'extraction de poussière (22) dans le raccord d'extraction de poussière (9).
- Connectez le flexible d'un aspirateur dans l'adaptateur d'extraction de poussière (22).

Conseils pour une utilisation optimale

- Tirez des lignes définissant la direction de guidage des disques de coupe.
- Maintenez la machine à deux mains. Gardez votre seconde main sur la poignée auxiliaire (11).
- Réglez la largeur de saignée.

- Effectuez l'une des opérations suivantes:
 - Abaissez la machine sur le mur et réglez la profondeur de saignée (recommandé). La machine est placée contre le mur et les disques de coupe plus bas sur le mur afin de régler avec davantage de précision la profondeur de saignée.
 - Réglez la profondeur de saignée et abaissez la machine sur le mur.
- Placez la machine avec les galets de guidage (8) sur le mur. Assurez-vous d'aligner les disques de coupe avec les lignes tracées au mur.
- Réglez la profondeur de saignée.
- Mettez la machine en marche.
- Attendez que la machine atteigne son régime maximum.
- Déplacez lentement la machine le long des lignes tracées en appuyant fermement le galet de guidage (8) contre le mur (fig.H).
- N'exercez pas de pression excessive sur la machine. Laissez la machine faire le travail.
- Éteignez la machine et attendez son immobilisation totale avant de la reposer.

5. ENTRETIEN



Si vous voulez procéder à des travaux d'entretien sur le mécanisme, mettez la machine hors secteur.

Nettoyez le corps de la machine régulièrement au moyen d'un chiffon doux, de préférence après chaque utilisation. Vérifiez que les ouvertures d'aération ne sont pas obstruées ni sales. Utilisez un chiffon doux légèrement humidifié avec de la mousse de savon pour nettoyer les taches persistantes. N'utilisez pas de produits de nettoyage tels que l'essence, l'alcool, l'ammoniac, etc.; ces produits peuvent endommager les parties synthétiques.

Remplacement des piles (fig. I)

Le laser utilise 2 piles AAA. Si le laser ne fonctionne plus, les piles doivent être remplacées.

- Retirez le couvercle (26) du logement des piles (25).
- Enlevez les piles usagées (27).
- Installez les piles neuves (27).
- Montez le couvercle (26) du logement des piles (25).

ENVIRONNEMENT



Les équipements électroniques ou électriques défectueux ou destinés à être mis au rebut doivent être déposés aux points de recyclage appropriés.

Uniquement pour les pays de l'UE

Ne jetez pas les outils électriques avec les déchets domestiques. Selon la Directive européenne 2012/19/CE relative aux déchets d'équipements électriques et électroniques et sa mise en œuvre dans le droit national, les outils électriques hors d'usage doivent être collectés séparément et mis au rebut de manière écologique.

GARANTIE

Les produits VONROC sont développés aux plus hauts standards de qualité et ils sont garantis contre les défauts de pièces et de main d'œuvre pendant la durée légale stipulée à partir de la date d'achat d'origine du produit. En cas d'une quelconque panne du produit pendant cette durée qui serait due à un défaut matériel et/ou de main d'œuvre, contactez directement VONROC.

Les circonstances suivantes ne sont pas prises en charge par la garantie:

- Des réparations ou altérations ont été effectuées ou tentées sur la machine par un centre de réparation non agréé.
- L'usure normale.
- L'outil a été maltraité, mal utilisé ou mal entretenu.
- Des pièces détachées non d'origine ont été utilisées

Ceci constitue l'unique garantie accordée par la société explicitement ou implicitement. Il n'existe aucune autre garantie, explicite ou implicite, qui peut s'étendre au delà du contenu ici présent, y compris les garanties marchandes ou d'adaptation à des fins particulières. En aucun cas VONROC ne sera tenu responsable de dommages accidentels ou consécutifs. Les solutions proposées par les revendeurs devront se limiter à la réparation ou le remplacement des éléments ou pièces non conformes.

Le produit et le manuel d'utilisation sont sujets à modifications. Les spécifications peuvent changer sans préavis.

1. INSTRUCCIONES DE SEGURIDAD ADVERTENCIA

Lea las advertencias de seguridad, las advertencias de seguridad adicionales y las instrucciones adjuntas. De no respetarse las advertencias de seguridad y las instrucciones, podrían producirse descargas eléctricas, incendios y/o lesiones graves. Conserve las advertencias de seguridad y las instrucciones para su posterior consulta.

Los siguientes símbolos se utilizan en el manual de usuario o en el producto:



Lea el manual de usuario.



Riesgo de lesiones personales.



Riesgo de descarga eléctrica.



Saque inmediatamente el enchufe de la toma si el cable eléctrico resulta dañado y durante la limpieza y el mantenimiento.



*Lleve gafas de seguridad.
Lleve protección auditiva.*



Lleve una máscara antipolvo.



Riesgo de objetos volantes. Mantenga a los transeúntes alejados de la zona de trabajo.



Doble aislamiento.



Advertencia de radiación láser.



No deseche el producto en contenedores no adecuados.



El producto es conforme con las normas de seguridad vigentes en las Directivas Europeas.

INSTRUCCIONES GENERALES DE SEGURIDAD



PRECAUCIÓN! *Lea todas las advertencias de seguridad y todas las instrucciones. Si no lo hace, el uso indebido puede acarrear cortocircuitos, fuego o lesiones graves.*

Conserve estas instrucciones.

El término "herramienta eléctrica", en todas las advertencias enumeradas a continuación se refiere a su herramienta eléctrica (i nalmábrica) que funciona con una batería o a través de la red eléctrica.

1) Área de trabajo

- a) **Trabaje en un lugar limpio y bien iluminado.** Lugares no iluminados o sucios propician accidentes.
- b) **No use herramientas eléctricas donde haya riesgo de fuego o explosión, p.ej: cerca de líquidos o gases inflamables, polvo etc.** Las herramientas eléctricas producen chispas que pueden producir la ignición de partículas de humo.
- c) **Mantenga a los niños y otras personas alejados mientras utiliza la herramienta eléctrica.** Las distracciones pueden hacer que pierda el control de la herramienta.

2) Seguridad eléctrica

- a) **Cerciórese de que las clavijas de la herramienta eléctrica están correctamente enchufadas. Nunca modifique la clavija. No utilice ningún adaptador para la clavija de una herramienta eléctrica con conexión a tierra.** Las clavijas que no se hayan cambiado y los enchufes adecuados reducen el riesgo de cortocircuitos.
- b) **Evite el contacto humano con superficies con conexiones a tierra como tubos metálicos, conductos, tubos de la calefacción, radiadores y refrigeradores.** El riesgo de cortocircuitos es mayor cuando el cuerpo está en contacto con el suelo.
- c) **No use herramientas eléctricas bajo la lluvia o en entornos húmedos.** Si entra agua en una herramienta eléctrica aumenta el riesgo de cortocircuito.
- d) **No utilice el cable para todo. Nunca utilice el cable para mover la máquina, empujarla o sacar la clavija del enchufe. Mantenga el cable alejado del calor, aceite, zonas cortantes o piezas en movimiento.** Los cables dañados o enredados aumentan el riesgo de cortocircuito.
- e) **Use un cable alargador impermeable adecuado para exteriores cuando trabaje con la herramienta eléctrica al aire libre.** El riesgo de cortocircuito es menor si utiliza un cable alargador adecuado para exteriores.
- f) **Si no se puede evitar el uso de la herramienta eléctrica en un lugar húmedo, use suministro protegido mediante dispositivo diferencial residual (DDR).** El uso de un DDR reduce el riesgo de

choque eléctrico.

- h) **No permita que la familiaridad adquirida con el uso frecuente de las herramientas le haga confiarse e ignorar los principios de seguridad de las herramientas.** Una acción descuidada puede causar lesiones graves en una fracción de segundo.

3) Seguridad personal

- a) **No se descuide, preste atención a lo que está haciendo y utilice el sentido común mientras trabaja con esta herramienta. No use herramientas eléctricas cuando esté cansado o esté bajo los efectos del alcohol, las drogas o los medicamentos.** Un momento de distracción, mientras utilice la herramienta eléctrica, puede provocar lesiones personales graves.
- b) **Use equipo de protección individual. Use siempre gafas protectoras.** El uso en condiciones apropiadas del equipo de seguridad como por ejemplo: mascarilla antipolvo, zapatos antideslizantes de seguridad, casco o protección para los oídos, disminuye el riesgo de sufrir lesiones personales.
- c) **Evite arranques involuntarios. Asegúrese de que el interruptor está en la posición de apagado antes de conectarlo a la fuente de electricidad.** Transportar herramientas eléctricas con el dedo puesto sobre el interruptor o enchufarlas con el interruptor encendido puede causar accidentes.
- d) **Quite cualquier llave de ajuste antes de encender la herramienta eléctrica.** Una llave olvidada junto a una pieza móvil de la herramienta eléctrica puede provocar lesiones personales graves.
- e) **No se estire demasiado. Mantenga siempre el equilibrio y tenga los pies en el suelo.** Esto permite un mayor control de la herramienta eléctrica en situaciones inesperadas.
- f) **Vístase apropiadamente. No lleve prendas holgadas o joyas. Mantenga su pelo, ropa y guantes alejados de las piezas móviles.** Las prendas holgadas, las joyas y el pelo largo pueden quedar atrapados en las piezas móviles.
- g) **Si se han suministrado dispositivos para la extracción y recogida de polvo asegúrese de que estos estén conectados y se utilicen correctamente.** El uso de estos dispositivos puede reducir los riesgos relacionados con el polvo.
- h) **Mantenga las asas y las superficies de agarre secas, limpias y libres de aceite y grasa.** Las asas y las superficies de agarre resbaladizas no permiten un manejo y control seguros de la herramienta en situaciones inesperadas.

4) Utilización y cuidados de la herramienta eléctrica

- a) **No fuerce la herramienta eléctrica. Utilice la herramienta eléctrica adecuada para el trabajo que vaya a realizar.** Una herramienta eléctrica apropiada realizará un trabajo mejor y más seguro si se utiliza para el objetivo con el que ha sido diseñada.
- b) **No use herramientas que no pueden encenderse o apagarse con el interruptor.** Las herramientas que ya no se puedan encender y apagar son peligrosas y deben repararse.
- c) **Desenchufe la clavija de la toma de electricidad antes de realizar modificaciones, cambiar accesorios o guardar las herramientas eléctricas.** Tales medidas de seguridad preventivas reducen el riesgo de la puesta en marcha accidental.
- d) **Mantenga a los niños alejados de una herramienta eléctrica sin utilizar y no permita a personas que no estén familiarizadas con la máquina o estas instrucciones utilizar la herramienta.** La herramienta eléctrica puede ser peligrosa cuando la utilicen personas sin experiencia.
- e) **Conserve sus herramientas cuidadosamente. Verifique cualquier desalineación o agarrotamiento de piezas móviles, piezas dañadas y cualquier otra causa, que pudiera repercutir en el buen funcionamiento de la herramienta eléctrica. Si la herramienta está estropeada, repárela antes de utilizarla.** Muchos de los accidentes están causados por un mantenimiento insuficiente del equipo eléctrico.
- f) **Mantenga las herramientas de corte limpias y afiladas.** Sierras con esquinas cortantes con un buen mantenimiento se bloquean menos y son más fáciles de controlar.
- g) **Utilice la herramienta eléctrica, accesorios y brocas etc. Siguiendo las instrucciones atendiendo al tipo de herramienta eléctrica y tenga en cuenta las condiciones de trabajo y el tipo de trabajo que se va a realizar.** Puede ser peligroso realizar trabajos con la herramienta diferentes de aquellos para los que está diseñada.
- 5) **Uso y cuidado de las herramientas alimentadas por batería**
- a) **Recargue las baterías únicamente con el cargador recomendado por el fabricante.** Un cargador que es apto para un tipo de baterías determinado puede provocar riesgo de incendio si se usa para cargar otra clase de baterías.
- b) **Use las herramientas eléctricas sólo con las**

baterías indicadas específicamente. El uso de otra clase de baterías diferente puede ocasionar el riesgo de derivar en lesiones o un incendio.

- c) **Cuando el paquete de baterías no esté en uso, consérvelo retirado de objetos metálicos como sujetapapeles, monedas, llaves, clavos, tornillos o cualquier otro objeto metálico pequeño que pueda hacer puente entre las terminales.** El contacto entre las terminales de la batería puede causar quemaduras o incendio.
- d) **Bajo condiciones extremas de abuso la batería podría expulsar un líquido; evite todo contacto. Si se produjese contacto accidentalmente, lávese bien con agua. Si el líquido hace contacto con los ojos, consulte también al médico.** El líquido emanado de la batería puede causar irritaciones o quemaduras.
- e) **No utilice una batería o una herramienta que esté dañada o modificada.** Las baterías dañadas o modificadas pueden presentar un comportamiento impredecible y provocar un incendio, una explosión o riesgo de lesiones.
- f) **No exponga una batería o una herramienta al fuego o a temperatura excesiva.** La exposición al fuego o a temperaturas superiores a 130 °C puede provocar una explosión. NOTA La temperatura "130 °C" puede sustituirse por la temperatura "265 °F".
- g) **Siga todas las instrucciones de carga y no cargue la batería o la herramienta fuera del rango de temperatura especificado en las instrucciones.** La carga incorrecta o a temperaturas fuera del rango especificado puede causar daños a la batería y aumentar el riesgo de incendio.
- 6) Servicio**
- a) **Haga reparar su herramienta eléctrica por una persona cualificada, usando solo piezas de repuesto idénticas.** Esto garantiza que se mantenga la seguridad de la herramienta eléctrica.
- b) **Nunca repare las baterías dañadas.** El mantenimiento de las baterías debe ser realizado solo por el fabricante o los proveedores de servicio autorizados.

ADVERTENCIAS DE SEGURIDAD ADICIONALES PARA RANURADORAS DE PAREDES.

- **Advertencia de radiación láser.** Clase de láser 2, P máx.: <1 mW, λ: 650 nm, EN 60825-1:2014. No mire directamente al haz del láser ni a la abertura de la que sale. No dirija nunca el haz del láser hacia personas, animales o superficies reflectantes. Incluso un contacto visual breve puede causar daños a la vista. Examinar la abertura de salida del láser utilizando instrumentos ópticos (por ejemplo, lupas, vidrios de aumento y otros dispositivos similares) conlleva el riesgo de daño ocular. Cuando trabaje con un láser de clase 2, observe las normas nacionales sobre el uso de protección ocular.
- No trabaje con materiales que contengan amianto. El amianto se considera cancerígeno.
- Utilice gafas de seguridad, protección auditiva y, si es necesario, otros medios de protección tales como guantes, calzado de seguridad, etc.
- Antes del uso, quite todos los clavos y otros objetos metálicos de la pared.
- Cuando corte ranuras en las paredes, tenga en cuenta las tuberías y cables ocultos.
- Sujete la máquina siempre con ambas manos.
- No utilice la máquina sin la protección.
- Inspeccione los discos de corte antes de cada uso. No utilice discos de corte curvados, agrietados ni dañados de cualquier otro modo.
- Asegúrese de que los discos de corte estén correctamente montados.
- Asegúrese de que los discos de corte giren en la dirección correcta.
- No utilice la máquina con los discos de corte orientados hacia arriba o a un lateral.
- Utilice únicamente discos de corte que sean adecuados para su uso con la máquina.
- Utilice únicamente discos de corte de las dimensiones correctas.
- No utilice otros accesorios que no sean discos de corte.
- No utilice la máquina cuando se requiera una profundidad de ranura máxima que supere la profundidad de ranura máxima de los discos de corte.
- Asegúrese de que sus manos no toquen las piezas giratorias.
- Trabaje siempre en la dirección de trabajo correcta (véase la indicación en la base).
- Deje que la máquina funcione sin carga en una zona segura tras el montaje de los discos de corte. Si la máquina vibra mucho, apáguela inmediatamente, saque el enchufe de la toma e intente solucionar el problema.
- Tenga en cuenta que los discos de corte siguen girando durante un corto periodo de tiempo

después de apagar la máquina. Nunca intente hacer que se detengan los discos de corte.

- Nunca ponga la máquina sobre una mesa o un banco de trabajo sin haberla desconectado previamente.

Retroceso

El retroceso es el movimiento hacia arriba y atrás de los discos de corte cuando éstos tocan un objeto inesperadamente. Sujete la máquina firmemente con ambas manos durante el uso. Mantenga su atención centrada en la operación.

El retroceso normalmente se produce por:

- el contacto involuntario de objetos o materiales duros con los discos de corte giratorios;
- discos de corte desafilados; - discos de corte que no se han montado correctamente;
- corte en un corte anterior;
- una falta de atención a la operación;
- una postura inestable.

Seguridad eléctrica



Compruebe siempre que la tensión del suministro eléctrico corresponda con la tensión de la placa de características.

- No utilice la máquina si el cable o el enchufe eléctrico han sufrido daños.
- Utilice únicamente cables alargadores que sean adecuados para la potencia nominal de la máquina con un grosor mínimo de 1.5 mm². Si utiliza un cable alargador en rollo, desenrolle totalmente el cable.

2. DATOS TÉCNICOS

Introducción

La ranuradora de paredes se ha diseñado para realizar ranuras en mampostería. La máquina sólo puede manejarse con la mano derecha.

DATOS TÉCNICOS

Modelo n.º	WC502AC / S_WC502AC / S2_WC502AC
Tensión de red	230V~
Frecuencia de red	50Hz
Entrada de alimentación	1700W
Velocidad sin carga	4000 min ⁻¹

Ancho de ranura	14/19/29mm
Profundidad de ranura	5-40mm
Disco de corte	
Diámetro:	150mm
Orificio interior:	22,2mm
Rosca del eje	M12
Clase de protección	IP20
Peso	5,1kg
Presión acústica L _{PA}	85,3 dB(A)
Potencia acústica L _{WA}	96,3 dB(A)
Incertidumbre (K)	3 dB(A)
Vibración (empuñadura principal)	7,214 m/s ²
Vibración (empuñadura auxiliar)	5,843 m/s ²
Incertidumbre (K)	1,5 m/s ²



Lleve protección auditiva.

Nivel de vibración

El nivel de emisión de vibraciones indicado en este manual de instrucciones ha sido medido según una prueba estándar proporcionada en EN 60745; puede utilizarse para comparar una herramienta con otra y como valoración preliminar de la exposición a las vibraciones al utilizar la herramienta con las aplicaciones mencionadas

- al utilizarla para distintas aplicaciones o con accesorios diferentes o con un mantenimiento deficiente, podría aumentar de forma notable el nivel de exposición
- en las ocasiones en que se apaga la herramienta o cuando está funcionando pero no está realizando ningún trabajo, se podría reducir el nivel de exposición de forma importante

Protéjase contra los efectos de la vibración realizando el mantenimiento de la herramienta y sus accesorios, manteniendo sus manos calientes y organizando sus patrones de trabajo

DESCRIPCIÓN

Los números contenidos en el texto siguiente se refieren a las ilustraciones de la página 2-5.

1. Interruptor de encendido/apagado
2. Botón de bloqueo

3. Botón de bloqueo de profundidad de ranura
4. Escala de profundidad de ranura
5. Botón de bloqueo del husillo
6. Protector
7. Base
8. Rodillo de guía
9. Conexión para extracción de polvo
10. Empuñadura principal
11. Empuñadura auxiliar
12. Tornillos Allen
13. Llave Allen
14. Husillo
15. Brida exterior
16. Llave para bridas
17. Disco de corte
18. Separadores
19. Disco de corte
20. Manguito del husillo
21. Brida interior
22. Adaptador de extracción de polvo
23. Láser
24. Interruptor de encendido/apagado para el láser
25. Compartimento de las pilas

3. MONTAJE



Antes del montaje, apague siempre la máquina y saque el enchufe de la toma.

Sustitución de los discos de corte (fig. B - D)

Los discos de corte desgastados o dañados deben sustituirse de inmediato.



- Utilice únicamente discos de corte afilados y en buen estado.
- Utilice únicamente discos de corte que sean adecuados para el material que se va a trabajar.
- Utilice únicamente discos de corte con una velocidad máxima permitida que sea igual o que supere la velocidad sin carga máxima de la máquina.
- Utilice únicamente discos de corte de diamante adecuados para el corte en seco.
- Sustituya siempre ambos discos de corte al mismo tiempo.
- Nunca intente quitar la protección.

- Coloque la máquina sobre una superficie estable.
- Afloje los tornillos Allen (12) con la llave Allen (13).

- Afloje el mando de bloqueo (3) y baje la base (7).
- Retire la protección (6).
- Mantenga presionado el botón de bloqueo del eje (5) para bloquear el eje (14).
- Afloje la brida exterior (15) con la llave de brida (16).
- Retire el disco de corte viejo (17), los espaciadores (18), el disco de corte viejo (19), el manguito del eje (20) y la brida interior (21).
- En caso necesario, limpie las bridas (15 & 21).
- Monte la brida interior (21), el manguito del eje (20), el disco de corte nuevo (19), los espaciadores (18) y el disco de corte nuevo (17).
- Apriete firmemente la brida exterior (15) con la llave de brida (16).
- Suelte el botón de bloqueo del eje (5).
- Monte la protección (6).
- Levante la base (7) y apriete el mando de bloqueo (3).
- Apriete firmemente los tornillos Allen (12) con la llave Allen (13).

4. MANEJO

Ajuste del ancho de ranura (fig. B - E)

El ancho de ranura puede ajustarse con los espaciadores entre los discos de corte. El número de espaciadores entre los discos de corte determina el ancho de ranura.



- No ajuste el ancho de ranura durante el uso.
- Monte siempre al menos un espaciador entre los discos de corte.
- Determine el ancho de ranura.
- Monte los espaciadores (18) alrededor de los discos de corte (17 & 19) en el orden deseado. Consulte el capítulo "Sustitución de los discos de corte".

Ajuste de la profundidad de ranura (fig. A & F)

La profundidad de ranura es variable entre 5 y 40 mm. La profundidad de ranura puede leerse en la escala (4).



- No ajuste la profundidad de ranura durante el uso.
- Afloje el mando de bloqueo (3).
- Incline la base (7) a la posición deseada. Ajuste una profundidad de ranura aproximadamente 3

- mm más profunda para compensar las posibles irregularidades de la superficie de la pared.
- Apriete el mando de bloqueo (3).

Encendido y apagado (fig. A)

- Para encender la máquina, mantenga pulsado el botón de desbloqueo (2) y pulse simultáneamente el interruptor de encendido/apagado (1).
- Para apagar la máquina, suelte el interruptor de encendido/apagado (1).

Utilización del láser (fig. A)

- Para encender el láser (23), pulse el interruptor de encendido/apagado (24).
- Para apagar el láser (23), suelte el interruptor de encendido/apagado (24).

Protección de sobrecarga

La máquina está equipada con un dispositivo de protección de sobrecarga que desconecta la máquina automáticamente en caso de que ésta se sobrecargue.

- Apague la máquina.
- Retire la máquina de la pieza de trabajo.
- Encienda la máquina.
- Haga funcionar la máquina sin carga aproximadamente 1 minuto para permitir que la máquina se enfríe.

Extracción de polvo (fig. G)

Utilice la máquina únicamente cuando esté conectada a un dispositivo de aspiración que esté homologado para el polvo de piedra. El dispositivo de aspiración debe ser adecuado para el material que se trabaja. Utilice un dispositivo de aspiración especial cuando trabaje con materiales tóxicos o cuando se produzca polvo tóxico.



- *Nunca utilice un aspirador doméstico. La utilización de un aspirador doméstico puede suponer un riesgo para su salud y dañar el aspirador.*
- *Utilice siempre el adaptador de extracción de polvo.*
- *Asegúrese de que la manguera del dispositivo de aspiración esté bien conectada al adaptador de extracción de polvo.*
- *Si el dispositivo de aspiración se avería, deje de trabajar inmediatamente, apague la máquina, saque el enchufe de la toma e intente solucionar el problema.*

- Introduzca el adaptador de extracción de polvo (22) en la conexión para extracción de polvo (9).
- Conecte la manguera de un dispositivo de aspiración al adaptador de extracción de polvo (22).

Consejos para un uso óptimo

- Trace líneas para definir la dirección en la que guiar los discos de corte.
- Sujete la máquina con ambas manos. Mantenga la segunda mano en el mango auxiliar (11).
- Ajuste el ancho de ranura.
- Realice uno de los siguientes pasos:
 - Baje la máquina en la pared y ajuste la profundidad de ranura (recomendado). La máquina se coloca contra la pared y los discos de corte bajan en la pared para ajustar con mayor precisión la profundidad de ranura.
 - Ajuste la profundidad de ranura y baje la máquina en la pared.
- Coloque la máquina con el rodillo de guía sobre la pared. Asegúrese de que los discos de corte se alineen con las líneas trazadas en la pared.
- Ajuste la profundidad de ranura.
- Encienda la máquina.
- Espere hasta que la máquina alcance la máxima velocidad.
- Mueva lentamente la máquina por las líneas pretrazadas, presionando firmemente el rodillo de guía contra la pared (Fig. H).
- No aplique demasiada presión sobre la máquina. Deje que la máquina haga el trabajo.
- Apague la máquina y espere que ésta se detenga completamente antes de dejarla.

5. MANTENIMIENTO



Desconecte siempre la máquina de la red eléctrica principal antes de realizar cualquier trabajo de mantenimiento.

Limpie regularmente la carcasa de la máquina con un paño suave, preferentemente después de cada uso. Compruebe que los orificios de ventilación estén libres de polvo y suciedad. Elimine el polvo persistente utilizando un paño suave humedecido con agua y jabón. No use disolventes tales como gasolina, alcohol, amoníaco, etc. Tales productos químicos pueden dañar los componentes sintéticos.

Sustitución de las pilas (fig. I)

El láser utiliza 2 pilas AAA. Si el láser deja de funcionar, es necesario sustituir las pilas.

- Retire la cubierta (26) del compartimento de las pilas (25).
- Retire las pilas usadas (27).
- Coloque las pilas nuevas (27).
- Monte la cubierta (26) en el compartimento de las pilas (25).

MEDIO AMBIENTE

Los aparatos eléctricos o electrónicos defectuosos y/o desechados deben recogerse en lugares de reciclado apropiado.

Sólo para países CE

No deseche las herramientas eléctricas con los residuos domésticos. De conformidad con la Directiva Europea 2012/19/EU sobre residuos de aparatos eléctricos y electrónicos y su implementación en el derecho nacional, las herramientas eléctricas que dejen de funcionar deben recogerse por separado y desecharse de forma respetuosa con el medio ambiente.

CONDICIONES DE GARANTÍA

Los productos VONROC han sido desarrollados con los más altos estándares de calidad y VONROC garantiza que están exentos de defectos relacionados con los materiales y la fabricación durante el periodo legalmente estipulado, a contar desde la fecha de compra original. En caso de que el producto presente defectos relacionados con los materiales y/o la fabricación durante este periodo, póngase directamente en contacto VONROC.

La presente garantía se excluye en los siguientes casos:

- Si centros de servicios no autorizados han realizado o han intentado realizar reparaciones y/o alteraciones a la máquina.
- Si se ha producido un desgaste normal.
- Si la herramienta ha sido mal tratada o usada en modo impropio, o se ha realizado incorrectamente su mantenimiento.
- Si se han utilizado piezas de repuesto no originales.

La presente constituye la única garantía implícita y explícita que ofrece la compañía. No existen otras garantías explícitas o implícitas que excedan las citadas aquí, incluidas las garantías implícitas de comerciabilidad e idoneidad para una finalidad en especial. VONROC no será considerada responsable en ningún caso por daños incidentales o consecuentes. Los recursos a disposición de los distribuidores se limitan a la reparación o a la sustitución de las unidades o piezas no conformes.

El producto y el manual de usuario están sujetos a variaciones. Las especificaciones pueden variar-se sin previo aviso.

1. ISTRUZIONI DI SICUREZZA

Leggere accuratamente gli avvisi di sicurezza, gli avvisi di sicurezza aggiuntivi e le istruzioni. La mancata osservanza degli avvisi di sicurezza e delle istruzioni potrebbe causare scosse elettriche, incendio e/o gravi lesioni. Mantenere gli avvisi di sicurezza e le istruzioni a portata di mano per future consultazioni.

I seguenti simboli sono utilizzati nel presente manuale utente o sul prodotto:



Leggere il manuale utente.



Pericolo di lesioni personali.



Pericolo di scosse elettriche.



Disconnettere immediatamente la spina di alimentazione dalla rete elettrica qualora il cavo di alimentazione risulti danneggiato e durante ogni operazione di pulitura e manutenzione.



*Indossare occhiali di protezione.
Indossare protezioni per l'udito.*



A Indossare una mascherina anti-polvere.



Pericolo di espulsione di frammenti ad alta velocità. Mantenere gli astanti a sufficiente distanza dall'area di lavoro.



Doppio isolamento.



Avvertenza di radiazione laser.



Non smaltire il prodotto in contenitori non idonei.



Il prodotto è conforme agli standard pertinenti in materia di sicurezza previsti dalla legislazione Europea.

REGOLE GENERALI DI SICUREZZA



ATTENZIONE! Leggere tutte le avvertenze di sicurezza e tutte le istruzioni. Se non si seguono tutte le istruzioni sotto elencate, si può incorrere in uno shock elettrico, in un incendio e/o in lesioni serie.

Conservare queste istruzioni.

Il termine "arnese elettrico" in tutti gli avvertimenti sotto elencati si riferisce al vostro arnese elettrico che funziona a corrente (con filo) o ad un arnese che funziona a pile (senza filo).

1) Area di lavoro

- Mantenere l'area di lavoro pulita e ben illuminata.** Aree buie e disordinate favoriscono gli incidenti.
- Non usare arnesi elettrici in atmosfere esplosive, come vicino ai liquidi infiammabili, gas o polveri.** Gli arnesi elettrici creano scintille che possono incendiare la polvere dei vapori.
- Tenere lontani bambini e altre persone mentre si accende l'arnese elettrico.** Le distrazioni possono farvi perdere il controllo.

2) Sicurezza elettrica

- Le spine dell'arnese elettrico devono andare bene per la presa di corrente. Non modificare mai la spina in alcun modo. Non usare alcun adattatore con arnesi elettrici a terra (messo a terra).** Spine non modificate che vanno bene per le prese di corrente ridurranno il rischio di shock elettrico.
- Evitare il contatto corporeo con superfici a terra come tubature, radiatori, fornelli e refrigeratori.** C'è un rischio maggiore di shock elettrico se il vostro corpo è a terra.
- Non esporre arnesi elettrici alla pioggia o a condizioni di umidità.** Se dell'acqua penetra nell'arnese elettrico aumenterà il rischio di shock elettrico.
- Non abusare del filo. Non usare mai il filo per trasportare, spingere o staccare dalla presa l'arnese elettrico. Tenere il filo lontano da calore, olio, bordi taglienti o parti mobili.** Fili danneggiati o aggrovigliati aumentano il rischio di shock elettrico.
- Quando si accende un arnese elettrico all'aperto, usare una prolunga adatta a tale uso.** Usare un filo adatto all'uso all'aperto ridurrà il rischio di shock elettrico.
- Se non è possibile evitare l'uso di un elettrotensile in ambiente umido, usare una rete di alimentazione protetta da un interruttore differenziale (salvavita).** L'uso di un salvavita riduce il rischio di scosse elettriche.

3) Sicurezza personale

- Stare vigili e attento quando si accende un arnese elettrico. Non usare un arnese elettrico**

- mentre si è stanco o sotto l'effetto di droghe, alcool o medicinali.** Un momento di disattenzione mentre si accendono arnesi elettrici può causare delle gravi lesioni personali.
- b) **Usare dispositivi di protezione individuale. Indossare sempre una protezione per gli occhi.** Dispositivi di sicurezza come mascherina per la polvere, scarpe di sicurezza antiscivolo, casco, o protezioni per le orecchie usate nelle appropriate condizioni, ridurranno le lesioni personali.
- c) **Prevenire l'avvio accidentale. Assicurarsi che l'interruttore sia spento prima di collegarsi.** Trasportare elettroutensili tenendo il dito sull'interruttore di accensione o dare corrente ad elettroutensili con l'interruttore acceso può dare luogo a incidenti.
- d) **Rimuovere ogni chiave regolatrice o chiave per dadi prima di accendere l'arnese elettrico.** Una chiave per dadi o una chiave lasciata attaccata ad una parte rotante dell'arnese elettrico può provocare lesioni personali.
- e) **Cercare di mantenere l'equilibrio. Mantenere sempre un punto d'appoggio appropriato.** Questo consente un controllo migliore dell'arnese elettrico in situazioni inaspettate.
- f) **Vestirsi adeguatamente. Non indossare vestiti larghi o gioielli. Tenere lontano capelli, vestiti e guanti dalle parti mobili.** Vestiti larghi, gioielli o capelli lunghi possono essere presi nelle parti mobili.
- g) **Se vengono forniti dispositivi per la connessione dell'estrazione della polvere e attrezzature di raccolta, assicurarsi che questi siano collegati e usati correttamente.** L'uso di questi dispositivi può ridurre i rischi correlati alla polvere.
- h) **Non lasciare che la confidenza acquisita dall'uso frequente induca l'utilizzatore ad assumere comportamenti imprudenti e a ignorare i principi di sicurezza per l'utensile.** Una semplice distrazione può provocare gravi lesioni personali in una frazione di secondo.
- 4) Uso e manutenzione dell'arnese elettrico**
- a) **Non forzare l'arnese elettrico. Usare l'arnese elettrico corretto per il vostro impiego.** L'arnese elettrico corretto farà il lavoro meglio e in maniera più sicura alla velocità per la quale è stato progettato.
- b) **Non usare l'arnese elettrico se l'interruttore non si accende o non si spegne.** Ogni arnese elettrico che non può essere controllato con l'interruttore è pericoloso e deve essere riparato.
- c) **Scollegare la spina dalla sorgente di elettricità prima di fare qualsiasi regolazione, cambiare gli accessori, o conservare arnesi elettrici.** Tali misure di sicurezza preventive riducono il rischio di accendere l'arnese elettrico accidentalmente.
- d) **Conservare gli arnesi elettrici inattivi fuori dalla portata dei bambini e non permettere a persone che non hanno confidenza con l'arnese elettrico o con queste istruzioni di usare l'arnese elettrico.** Gli arnesi elettrici sono pericolosi per utenti inesperti.
- e) **Mantenere gli arnesi elettrici. Controllare il non allineamento o l'attacco di parti mobili, la rottura di parti ed ogni altra condizione che può influire sul funzionamento degli arnesi elettrici. Se è danneggiato, far riparare l'arnese elettrico prima dell'uso.** Molti incidenti sono causati da arnesi elettrici mantenuti male.
- f) **Mantenere gli arnesi da taglio affilati e puliti.** È meno probabile che si attacchino degli arnesi da taglio mantenuti correttamente con tagli affilati e questi sono anche più facili da controllare.
- g) **Usare l'arnese elettrico, gli accessori e le parti dell'arnese ecc, secondo queste istruzioni e nel modo pensato per il particolare tipo di arnese elettrico, tenendo conto delle condizioni di lavoro e del lavoro da svolgere.** L'uso dell'arnese elettrico per operazioni diverse da quelle pensate potrebbe causare situazioni pericolose.
- h) **Mantenere le impugnature e le superfici di presa asciutte, pulite e libere da olio e grasso.** Impugnature e superfici di presa scivolose non consentono di maneggiare e controllare in sicurezza l'utensile in situazioni impreviste.
- 5) Uso e manutenzione dell'utensile a batteria**
- a) **Ricaricare l'apparecchio esclusivamente con il caricabatterie specificato dal fabbricante.** Se si utilizza un caricabatterie di diverso tipo potrebbero verificarsi incendi.
- b) **Utilizzare gli utensili elettrici solo con i pacchi batterie appositamente prescritti.** L'uso di pacchi batterie di diverso tipo aumenta il rischio di infortunio o incendio.
- c) **Quando il pacco batterie non è in uso, tenerlo lontano da oggetti metallici quali fermagli, monete, chiavi, chiodi, viti o altri piccoli oggetti metallici che potrebbero mettere in collegamento i due poli.** Se i poli vengono messi in corto circuito,

- la batteria potrebbe emettere scintille o fiammate.
- d) **In condizioni di uso scorretto, la batteria potrebbe emettere liquido: evitare pertanto di entrarvi in contatto. In caso di contatto accidentale, risciacquare con acqua. Se il liquido entra a contatto con gli occhi, consultare immediatamente un medico.** Il liquido emesso dalla batteria può causare irritazioni o ustioni.
- e) **Non utilizzare un pacco batterie o l'utensile se danneggiati o manomessi.** Pacchi batterie danneggiati o manomessi potrebbero avere comportamenti imprevedibili con il rischio di incendiarsi, esplodere o provocare lesioni a persone.
- f) **Non esporre un pacco batterie o l'utensile alle fiamme o a temperature eccessivamente elevate.** L'esposizione alle fiamme o a temperature superiori a 130 °C potrebbe provocare un'esplosione. **NOTA:** la temperatura di "130 °C" corrisponde a "265 °F".
- g) **Seguire tutte le istruzioni per la ricarica e non caricare il pacco batterie o l'utensile a temperature che non rientrino nell'intervallo specificato nelle istruzioni.** Se si effettua la ricarica in modo improprio o a temperature non comprese nell'intervallo specificato, il pacco batterie potrebbe subire danni e potrebbe aumentare il rischio di incendi.

6) Riparazione

- a) **L'assistenza per l'elettrotensile deve essere prestata da un tecnico qualificato che utilizzi soltanto ricambi originali.** In questo modo viene garantita la sicurezza dell'elettrotensile.
- b) **Non tentare di riparare pacchi batterie danneggiati.** La riparazione dei pacchi batteria deve essere effettuata esclusivamente dal produttore o presso centri di assistenza autorizzati.

AVVERTENZE DI SICUREZZA AGGIUNTIVE PER LO SCANALATRICE DA MURO

- **Avvertenza di radiazione laser.** Classe laser 2, P max.: <1 mW, λ: 650 nm, EN 60825-1:2014. Non guardare direttamente nel raggio laser o nell'apertura da cui esso fuoriesce. Non puntare mai il raggio laser su persone, animali o superfici riflettenti. Anche un contatto breve con gli occhi può causare lesioni ad essi. L'esame dell'apertura di fuoriuscita del laser mediante strumenti ottici (per esempio lente di ingrandimento, strumenti ingranditori o simili) causa il rischio di lesioni agli occhi. Operando con un

laser della classe 2, osservare le disposizioni nazionali riguardo all'utilizzo di protezioni per gli occhi.

- Non operare su materiali contenenti amianto. L'amianto è una sostanza considerata cancerogena.
- Indossare occhiali protettivi, protezioni per l'udito e, se necessario, altro equipaggiamento protettivo, come guanti da lavoro, scarpe di sicurezza, ecc.
- Prima dell'uso, rimuovere chiodi ed altri oggetti metallici dalla parete.
- Porre attenzione alla presenza di eventuali tubi o cavi nascosti durante il taglio di scanalature nelle pareti.
- Sostenere sempre l'elettrotensile con entrambe le mani.
- Non utilizzare l'elettrotensile senza la protezione.
- Prima di ogni uso, controllare lo stato dei dischi da taglio. Non utilizzare dischi da taglio deformati, spezzati o altrimenti danneggiati.
- Assicurarsi che i dischi da taglio siano montati correttamente.
- Verificare che i dischi da taglio ruotino nella corretta direzione.
- Non utilizzare l'elettrotensile con i dischi da taglio rivolti verso l'alto o lateralmente.
- Usare soltanto dischi da taglio idonei all'uso con l'elettrotensile.
- Usare esclusivamente dischi da taglio della corretta dimensione.
- Non utilizzare accessori diversi dai dischi da taglio.
- Non utilizzare l'elettrotensile per praticare una scanalatura la cui profondità massima superi la massima profondità di scanalatura dei dischi da taglio.
- Assicurarsi di non toccare con le mani le parti in rotazione.
- Lavorare sempre nella direzione corretta (vedere indicatore sulla base).
- Far ruotare l'elettrotensile in assenza di carico in un'area sicura dopo il montaggio dei dischi da taglio. Se l'elettrotensile vibra eccessivamente, spegnerlo immediatamente, disconnettere la spina di alimentazione dalla rete elettrica e tentare di risolvere il problema.
- Porre attenzione perché i dischi da taglio continuano a ruotare per un breve periodo dopo lo spegnimento dell'elettrotensile. Non tentare di arrestare manualmente la rotazione dei dischi da taglio.

- Non porre mai l'elettrotensile su un tavolo o un banco da lavoro senza averlo precedentemente spento.

Contraccolpo

Il contraccolpo è il brusco movimento dei dischi da taglio verso l'alto e all'indietro quando entrano accidentalmente in contatto con un oggetto. Sostenere saldamente l'elettrotensile con entrambe le mani durante l'uso. Mantenere l'attenzione concentrata sul lavoro in corso.

Il contraccolpo è generalmente causato da:

- il contatto accidentale dei dischi da taglio in rotazione con oggetti o materiali duri;
- l'uso di dischi da taglio non affilati;
- il montaggio non corretto dei dischi da taglio;
- taglio all'interno di una scanalatura precedente;
- una mancanza di attenzione durante il lavoro;
- una posizione instabile.

Sicurezza elettrica



Controllare sempre che la tensione di alimentazione corrisponda alla tensione indicata sulla targhetta delle caratteristiche.

- Non utilizzare l'elettrotensile quando il cavo o la spina di alimentazione sono danneggiati.
- Utilizzare esclusivamente cavi di prolunga idonei per la potenza nominale dell'elettrotensile, con conduttori di sezione minima di 1.5 mm². Quando si utilizza un cavo di prolunga con avvolgicavo, svolgere sempre completamente il cavo.

2. INFORMAZIONI RELATIVE ALL'ELETTROTENSILE

Informazioni sul prodotto

Questo scanalatore da parete è stato progettato per praticare scanalature su pareti in muratura. La macchina è idonea esclusivamente all'uso con la mano destra.

DATI TECNICI

Numero modello	WC502AC / S_WC502AC / S2_WC502AC
Tensione di alimentazione	230V~
Frequenza di alimentazione	50Hz
Potenza assorbita	1700W
Velocità a vuoto	4000 min ⁻¹

Larghezza di scanalatura	14/19/29mm
Profondità di scanalatura	5-40mm
Disco da taglio	
Diametro:	150mm
Foro:	22,2mm
Filettatura dell'alberino	M12
Classe di protezione	IP20
Peso	5,1kg
Pressione sonora L _{PA}	85.3 dB(A)
Potenza acustica L _{WA}	96.3 dB(A)
Incertezza (K)	3 dB(A)
Vibrazioni (impugnatura principale)	7,214 m/s ²
Vibrazioni (impugnatura ausiliaria)	5,843 m/s ²
Incertezza (K)	1,5 m/s ²



Indossare protezioni per l'udito.

Livello delle vibrazioni

Il livello di emissione delle vibrazioni indicato sul retro di questo manuale di istruzioni è stato misurato in conformità a un test standardizzato stabilito dalla norma EN 60745; questo valore può essere utilizzato per mettere a confronto un l'utensile con un altro o come valutazione preliminare di esposizione alla vibrazione quando si impiega l'utensile per le applicazioni menzionate

- se si utilizza l'utensile per applicazioni diverse, oppure con accessori differenti o in scarse condizioni, il livello di esposizione potrebbe aumentare notevolmente
- i momenti in cui l'utensile è spento oppure è in funzione ma non viene effettivamente utilizzato per il lavoro, possono contribuire a ridurre il livello di esposizione

Protegersi dagli effetti della vibrazione effettuando la manutenzione dell'utensile e dei relativi accessori, mantenendo le mani calde e organizzando i metodi di lavoro.

DESCRIZIONE

I numeri che compaiono nel testo si riferiscono agli schemi riportati alle pagine 2-5.

1. Interruttore di accensione/spegnimento

2. Pulsante di sicurezza
3. Pomello di bloccaggio della profondità scanalature
4. Scala della profondità di taglio
5. Pulsante di blocco mandrino
6. Carter di protezione
7. Base
8. Rullo guida
9. Connettore per aspiratore di polveri
10. Impugnatura principale
11. Impugnatura ausiliaria
12. Brugole
13. Chiave a barra esagonale
14. Mandrino
15. Flangia esterna
16. Chiave per flangia
17. Disco di taglio
18. Spessori
19. Disco di taglio
20. Manicotto del mandrino
21. Flangia interna
22. Adattatore per tubo di aspirazione polveri
23. Laser
24. Interruttore on/off per laser
25. Vano delle pile

3. MONTAGGIO



Prima del montaggio, spegnere sempre l'elettrotensile e disconnettere la spina di alimentazione dalla rete elettrica.

Sostituzione dei dischi da taglio (fig. B - D)

I dischi da taglio usurati o danneggiati devono essere sostituiti immediatamente.



- Utilizzare esclusivamente dischi da taglio affilati e non danneggiati.
- Utilizzare esclusivamente dischi da taglio adeguati al materiale su cui operare.
- Utilizzare esclusivamente dischi da taglio con velocità di rotazione massima nominale equivalente o superiore alla velocità massima dell'elettrotensile in assenza di carico.
- Utilizzare esclusivamente dischi da taglio diamantati idonei per taglio a secco.
- Sostituire sempre contemporaneamente entrambi i dischi da taglio.
- Non tentare mai di rimuovere la protezione.

- Collocare l'elettrotensile su una superficie

stabile.

- Utilizzando la chiave a brugola (12) allentare le viti a testa con cava (13).
- Allentare il pomello di bloccaggio (3) e abbassare la base (7).
- Rimuovere la protezione (6).
- Mantenere premuto il pulsante di blocco dell'alberino (5) per bloccare la rotazione dell'alberino (14).
- Allentare la flangia esterna (15) utilizzando l'apposita chiave per flange in dotazione (16).
- Rimuovere il disco da taglio usurato (17), i distanziatori (18), il disco da taglio usurato (19), il collare dell'alberino (20) e la flangia interna (21).
- Pulire le flange (15 & 21), se necessario.
- Montare la flangia interna (21), il collare dell'alberino (20), il nuovo disco da taglio (19), i distanziatori (18) e il nuovo disco da taglio (17).
- Serrare saldamente la flangia esterna (15) utilizzando l'apposita chiave in dotazione (16).
- Rilasciare il pulsante di blocco (5) dell'alberino.
- Montare la protezione (6).
- Sollevare la base (7) e serrare il pomello di bloccaggio (3).
- Utilizzando la chiave a brugola (12) serrare saldamente le viti a testa con cava (13).

4. UTILIZZO

Impostazione della larghezza di scanalatura (fig. B - E)

La larghezza di scanalatura può essere impostata utilizzando i distanziatori interposti tra i dischi da taglio. Il numero di distanziatori interposti tra i dischi da taglio determina la larghezza di scanalatura.



- Non impostare la larghezza di scanalatura durante l'uso.
- Montare sempre almeno un distanziatore tra i dischi da taglio.

- Determinare la larghezza di scanalatura.
- Montare i distanziatori (18) attorno ai dischi da taglio (17 & 19) nell'ordine richiesto. Vedere il capitolo "Sostituzione dei dischi da taglio".

Regolazione della profondità di scanalatura (fig. A & F)

La profondità di scanalatura è regolabile tra 5 e 40 mm. La profondità di scanalatura è indicata dalla scala (4).



Non regolare la profondità di scanalatura durante l'uso.

- Allentare il pomello di bloccaggio (3).
- Inclinare la base (7) nella posizione desiderata. Impostare una profondità di scanalatura circa 3mm superiore alla profondità richiesta, per compensare eventuali irregolarità della superficie della parete.
- Serrare il pomello di bloccaggio (3).

Accensione e spegnimento (fig. A)

- Per accendere l'elettrotensile, mantenere premuto il pulsante di sblocco (2) e contemporaneamente premere l'interruttore on/off (1).
- Per spegnere l'elettrotensile, rilasciare l'interruttore on/off (1).

Uso del laser (fig. A)

- Per accendere il laser (23), premere l'interruttore on/off (24).
- Per spegnere il laser (23), rilasciare l'interruttore on/off (24).

Protezione da sovraccarico

L'elettrotensile è dotato di un dispositivo di protezione da sovraccarico che spegne automaticamente l'elettrotensile in caso di sovraccarico.

- Spegnere l'elettrotensile.
- Rimuovere l'elettrotensile dal pezzo in lavorazione.
- Accendere l'elettrotensile.
- Azionare l'elettrotensile in assenza di carico per circa 1 minuto, per permettere all'elettrotensile di raffreddarsi.

Aspirazione della polvere (fig. G)

Utilizzare l'elettrotensile soltanto quando è connesso ad un dispositivo di aspirazione approvato per polveri di pietra. Il dispositivo di aspirazione deve essere idoneo per il materiale da lavorare. Utilizzare uno speciale aspiratore per lavorare su materiali tossici o dove si producano polveri tossiche.



- *Non utilizzare mai un aspirapolvere di tipo domestico. L'impiego di un aspirapolvere di tipo domestico può facilmente recare danni alla salute e danneggiare lo stesso aspirapolvere.*
- *Utilizzare l'adattatore per l'estrazione delle polveri.*

- *Assicurarsi che il flessibile del dispositivo di aspirazione sia saldamente connesso all'adattatore di estrazione delle polveri.*
- *Se il dispositivo di aspirazione si arresta, interrompere immediatamente il lavoro, spegnere l'elettrotensile, disconnettere la spina di alimentazione dalla rete elettrica e tentare di risolvere il problema.*

- Inserire l'adattatore per l'estrazione delle polveri (22) nel relativo raccordo (9).
- Collegare il flessibile del dispositivo di aspirazione all'adattatore di estrazione delle polveri (22).

Suggerimenti per un uso ottimale

- Tracciare delle linee per definire la direzione in cui muovere i dischi da taglio.
- Sostenere l'elettrotensile con entrambe le mani. Tenere l'altra mano sull'impugnatura ausiliaria (11).
- Regolare la larghezza di scanalatura.
- Procedere in uno dei seguenti modi:
 - Abbassare l'elettrotensile nella parete e regolare la profondità di scanalatura (procedura consigliata). L'elettrotensile si trova a contatto con la parete e i dischi da taglio penetrano nella parete per regolare la profondità di scanalatura con maggiore accuratezza.
 - Regolare la profondità di scanalatura e abbassare l'elettrotensile nella parete.
- Appoggiare l'elettrotensile con il rullo di guida a contatto con la parete. Assicurarsi che i dischi da taglio siano allineati con le linee tracciate sulla parete.
- Regolare la profondità di scanalatura.
- Accendere l'elettrotensile.
- Attendere finché l'elettrotensile non ha raggiunto la massima velocità.
- Muovere lentamente l'elettrotensile lungo le linee pretracciate, premendo saldamente il rullo di guida contro la parete (Fig.H).
- Non esercitare una pressione eccessiva sull'elettrotensile. Lasciare che l'elettrotensile effettui il lavoro di taglio.
- Prima di appoggiare l'elettrotensile, spegnerlo e attendere che si arresti completamente.

5. MANUTENZIONE



Prima di eseguire qualsiasi intervento di manutenzione scollegare sempre la macchina dalla presa di corrente.

Pulire regolarmente il corpo dell'elettrotensile con un panno morbido, preferibilmente dopo ogni uso. Assicurarsi che le prese d'aria siano libere da polvere e sporizia. Rimuovere lo sporco particolarmente ostinato con un panno morbido inumidito con acqua e sapone. Non utilizzare solventi come benzina, alcol, ammoniaca, ecc. Le sostanze chimiche di questo tipo danneggiano i componenti sintetici.

Sostituzione delle pile (fig. 1)

Il laser impiega 2 pile AAA. Se il laser cessa di funzionare, è necessario sostituire le pile.

- Rimuovere il coperchio (26) dal vano pile (25).
- Rimuovere le vecchie pile (27).
- Inserire le nuove pile (27).
- Montare il coperchio (26) sul vano pile (25).

AMBIENTE



Le apparecchiature elettriche o elettroniche difettose e/o scartate devono essere raccolte presso gli opportuni siti di riciclaggio.

Solo per i Paesi CE

Non smaltire gli elettrotensili insieme ai rifiuti domestici. Secondo la Direttiva europea 2012/19/EC sui rifiuti delle apparecchiature elettriche ed elettroniche e relativa implementazione nelle normative locali, gli elettrotensili ormai inutilizzabili devono essere raccolti separatamente e smaltiti in modo ecologico.

DEFINIZIONI DELLA GARANZIA

I prodotti VONROC sono sviluppati secondo i più elevati standard di qualità e viene garantita l'assenza di difetti nei materiali e nella manodopera per il periodo contrattuale a partire dalla data di acquisto originale. Qualora il prodotto dovesse subire un guasto qualsiasi durante questo periodo a causa di difetti nei materiali e/o nella manodopera, si prega di contattare direttamente il VONROC.

Le seguenti circostanze sono escluse da questa garanzia:

- Riparazioni e/o modifiche alla macchina sono state eseguite o tentate da centri di assistenza non autorizzati.

- Normale usura.
- L'utensile è stato abusato, utilizzato o manutenu- to in modo improprio.
- Sono state utilizzate parti di ricambio non origi- nali.

Ciò costituisce l'unica garanzia espressa o implicita fornita dall'azienda. Non esistono altre garanzie espresse o implicite che si estendono oltre il presente documento, ivi comprese le garanzie im- plicite di commerciabilità e idoneità per uno scopo particolare. In nessun caso VONROC sarà responsa- bile di eventuali danni incidentali o consequenziali. I rimedi dei rivenditori saranno limitati alla ripara- zione o sostituzione di unità o parti non conformi.

Il prodotto e il manuale per l'utente sono soggetti a modifiche. I dati tecnici possono essere modifi- cati senza ulteriore notifica.

1. SÄKERHETSANVISNINGAR

Läs de medföljande säkerhetsvarningarna, de kompletterande säkerhetsvarningarna och anvisningarna. Underlåtenhet att följa säkerhetsvarningarna och anvisningarna kan orsaka elstöt, brand och/eller allvarlig skada. Spara säkerhetsvarningarna och anvisningarna som framtida referensmaterial.

Följande symboler används i användarhandboken eller på produkten:



Läs användarhandboken.



Risk för personskada.



Risk för elstöt.



Ta genast ut strömkontakten från strömkämlan om strömkabeln skadas samt vid rengöring och underhåll.



Använd skyddsglasögon.
Använd hörselskydd.



Använd en dammask.



Risk för flygande föremål. Håll kringstående borta från arbetsområdet.



Klass II-maskin - dubbelisolering - Du behöver ingen jordad kontakt.



Varning för laserstrålning.



Kassera inte produkten i olämpliga containrar.



Produkten uppfyller gällande säkerhetsnormer i EU-direktiven.

ALLMÄNNA SÄKERHETSFORESKRIFTER FÖR ELVERKTYG



WARNING! Läs alla säkerhetsvarningar och alla anvisningar. Underlåtenhet att följa varningar och instruktioner kan resultera i elstötar, brand och/eller allvarliga skador.

Spara alla varningar och instruktioner för framtida referens. Uttrycket "elverktyg" i varningarna avser

ditt nätanslutna (med sladd) verktyg eller batteridrivna (sladdlösa) elektriska verktyg.

1) Arbetsplats säkerhet

- Håll arbetsplatsen ren och välbelyst.** Belamrade eller mörka områden inbjuder till olyckor.
- Använd inte elektriska verktyg i explosiva atmosfärer, såsom i närvaro av lättantändliga vätskor, gaser eller damm.** Elverktyg skapar gnistor som kan antända damm eller ångor.
- Håll barn och åskådare borta medan du arbetar med ett elverktyg.** Om du blir distraherad kan du tappa kontrollen.

2) Elsäkerhet

- Verktygets elkontakt måste passa till vägguttaget. Ändra inte kontakten på något sätt. Använd inte adapterkontakter med jordade elverktyg.** Omodifierade kontakter och mat-chande uttag minskar risken för elektrisk stöt.
- Undvik kroppskontakt med jordade ytor såsom rör, värmeelement, spisar och kylskåp.** Det finns en ökad risk för elektrisk stöt om din kropp är jordansluten eller jordad.
- Utsätt inte elektriska verktyg för regn eller väta.** Vatten som tränger in i ett elverktyg ökar risken för elstötar.
- Hantera inte elkabeln felaktigt. Använd aldrig sladden för att bära, dra eller koppla bort elverktyget från uttaget. Håll sladden borta från värme, olja, vassa kanter eller rörliga delar.** Skadade eller tilltrasslade sladdar ökar risken för elektrisk stöt.
- När du arbetar med ett elverktyg utomhus, använd en förlängningsladd som passar för utomhusanvändning.** Användning av en sladd som passar för utomhusanvändning minskar risken för elektrisk stöt.
- Om arbete med ett elverktyg i en fuktig lokal är oundvikligt, använd ett uttag som är skyddat med jordfelsbrytare.** Användning av jordfelsbrytare minskar risken för elstötar.

3) Personlig säkerhet

- Var uppmärksam, kontrollera vad du gör och använd sunt förnuft när du arbetar med ett elektriskt verktyg. Använd inte ett elverktyg när du är trött eller påverkad av droger, alkohol eller mediciner.** Ett ögonblicks ouppmärksamhet under arbetet kan resultera i allvarliga personskador.

- b) **Använd personlig skyddsutrustning. Bär alltid ögonskydd.** Skyddsutrustning såsom dammfiltterskydd, halksäkra säkerhetsskor, skyddshjälm eller hörselskydd som används för lämpliga förhållanden minskar personskador.
- c) **Förebygg oavsiktlig igångsättning. Se till att strömbrytaren är i avstängd position innan anslutning till strömkällan och/eller batteriet, verktyget lyfts upp eller bärs.** Om du bär elverktyg med ditt finger på strömbrytaren eller ansluter ett påkopplat elverktyg till nätströmmen kan en olycka inträffa.
- d) **Avlägsna eventuell justeringsnyckel eller skiftnyckel innan du sätter på elverktyget.** En skiftnyckel eller en nyckel som sitter kvar på en roterande del av elverktyget kan resultera i personskada.
- e) **Böj dig inte för långt. Bibehåll alltid ordentligt fotfäste och balans.** Detta möjliggör bättre kontroll av elverktyget i oväntade situationer.
- f) **Bär lämpliga kläder. Använd inte vida kläder eller smycken. Håll hår, kläder och handskar borta från rörliga delar.** Lösa kläder, smycken eller långt hår kan fastna i rörliga delar.
- g) **Om enheten är försedd med anslutning av dammsug och uppsamlingsmöjlighet, se till att dessa är anslutna och används korrekt.** Dammuttagning minskar dammrelaterade risker.
- h) **Låt inte erfarenheten som uppnås vid frekvent användning av verktyg låta dig bli för självsäker och ignorera verktygs säkerhetsprinciperna.** En oförsiktig handling kan orsaka allvarliga skador under bråkdelen av en sekund.
- 4) Användning och skötsel av elverktyg**
- a) **Bruka inte våld när du använder elverktyget. Använd rätt slags elektriska verktyg för ditt arbete.** Rätt elverktyg gör arbetet bättre och säkrare vid den hastighet som det har konstruerats för.
- b) **Använd inte elverktyget om strömbrytaren inte sätter på och stänger av det.** Ett elverktyg som inte kan kontrolleras med strömbrytaren är farligt och måste repareras.
- c) **Dra ur kontakten från strömkällan och/eller batteriet från elverktyget innan du gör några justeringar, byter tillbehör eller lägger undan elverktygen för förvaring.** Sådana förebyggande säkerhetsåtgärder minskar risken för att elverktyget startar oavsiktligt.
- d) **Förvara elverktyg oåtkomliga för barn och låt inte personer som är obekanta med verktyget eller dessa instruktioner använda verktyget.** Elektriska verktyg är farliga i händerna på oerfarna användare.
- e) **Underhåll av elektriska verktyg. Kontrollera för feljustering eller om rörliga delar har fastnat, bristning hos delar och andra eventuella förhållanden som kan komma att påverka elverktygets funktion. Om det är skadat, se till att elverktyget blir reparerat före användning.** Många olyckor orsakas av dåligt underhållna elektriska verktyg.
- f) **Håll kapverktyg vassa och rena.** Korrekt underhållna kapverktyg med vassa kanter är mindre troliga att kärva och lättare att kontrollera.
- g) **Använd elverktyget, dess tillbehör och verktyg i enlighet med dessa instruktioner och under beaktande av arbetsförhållandena och det arbete som ska utföras.** Användningen av elverktyget för andra verksamheter än de som det är avsett för skulle kunna resultera i en farlig situation.
- h) **Se till att handtagen är torra, rena och fria från olja och fett.** Hala handtag och greppyttr tillåter inte säker hantering och kontroll av verktyget i oväntade situationer.
- 5) Användning och skötsel av batteridrivna verktyg**
- a) **Ladda endast med den laddare som är specificerad av tillverkaren.** En laddare som passar till en typ av batteri kan ge upphov till brandfara när den används tillsammans med ett annat batteri.
- b) **Använd elverktygen enbart med det därtill avsedda batteriet.** Användning av andra batteri kan ge upphov till skaderisk och eldsvåda.
- c) **När batteriet inte används, håll det borta från andra metallföremål, såsom gem, mynt, nycklar, spikar, skruvar eller andra små metallföremål som kan skapa en förbindelse från ena polen till den andra.** Kortslutning av batteripolerna kan ge upphov till brännskador eller eldsvåda.
- d) **Vid felaktig hantering kan vätska komma ut från batteriet, undvik kontakt med denna. Spola med vatten vid oavsiktlig kontakt. Sök läkarhjälp om vätskan kommer i kontakt med ögon.** Vätska som kommer ut från batteriet kan orsaka irritation eller brännskada.

- e) **Använd inte batterier eller verktyg som är skadade eller modifierade.** Skadade eller modifierade batterier kan uppvisa oförutsägbart beteende som kan leda till brand, explosion eller risk för skada.
- f) **Utsätt inte batteri eller verktyg för eld eller överdriven temperatur.** Exponering för brand eller temperatur över 130 °C kan orsaka explosion. OBS! Temperaturen "130 °C" kan ersättas med temperaturen "265 °F".
- g) **Följ alla laddningsanvisningar och ladda inte batteriet eller verktyget utanför det temperaturområde som anges i instruktionerna.** Om du laddar batteriet felaktigt eller vid temperaturer utanför det angivna området kan det skada batteriet och öka risken för brand.
- 6) Service**
- a) **Se till att ditt elverktyg får service av en kvalificerad reparatör, som endast använder identiska ersättningsdelar.** Detta säkerställer att elverktygets säkerhet upprätthålls.
- b) **Utför aldrig service på skadade batterier.** Service av batteri ska endast utföras av tillverkaren eller auktoriserade serviceleverantörer.

KOMPLETTERANDE SÄKERHETSVARNINGAR FÖR SPÅRFRÄS

- **Varning för laserstrålning.** Laserklass 2, P max: <1 mW, λ: 650 nm, EN 60825-1:2014. Titta inte direkt in i laserstrålen eller öppningen från vilken den kommer ut. Rikta aldrig laserstrålen mot människor, djur eller reflekterande ytor. Även kort ögonkontakt kan leda till ögonskador. Undersökning av laserutgångsöppningen med optiska instrument (t.ex. förstoringsglas, kikare och liknande) medför risk för ögonskador. När du arbetar med en laser av klass 2, följ de nationella föreskrifterna för användning av ögonskydd.
- Arbeta inte material som innehåller asbest. Asbest anses vara cancerframkallande.
- Använd skyddsglasögon, hörselskydd och vid behov andra skyddsmedel, såsom skyddshandskar, skyddsskor m.m.
- Ta bort alla spikar och andra metallföremål från arbetsstycket före användning.
- Var uppmärksam på dolda rör och ledningar när du skär spår i väggar.
- Håll maskinen stadigt med båda händerna.
- Använd inte maskinen utan skydd.

- Inspektera slippappret före varje användning. Använd inte kapskivor som är skadade eller deformerade.
- Se till att kapskivorna är korrekt monterade.
- Se till att kapskivorna roterar i rätt riktning.
- Använd inte maskinen med kapskivorna vända uppåt eller åt sidan.
- Använd endast kapskivor som är lämpliga för användning med maskinen.
- Använd endast kapskivor med rätt mått.
- Använd inte andra tillbehör än kapskivor.
- Använd inte maskinen när ett fräsdjup krävs som överstiger kapskivans maximala fräsdjup.
- Se till att dina händer inte vidrör de roterande delarna.
- Arbeta alltid i rätt arbetsriktning (se indikation på basen).
- Låt maskinen gå utan belastning i ett säkert utrymme efter montering av kapskivor. Om maskinen vibrerar kraftigt, stäng omedelbart av maskinen, dra ut stickkontakten ur vägguttaget och försök lösa problemet.
- Tänk på att kapskivan fortsätter att rotera en kort stund efter att maskinen stängts av. Försök inte själv få kapskivan att stanna.
- Lägg aldrig ner maskinen på ett bord eller en arbetsbänk innan den har stängts av.

Kickback

Kickback är kapskivans rörelse uppåt och bakåt när kapskivan oväntat vidrör ett föremål. Håll maskinen säkert med båda händerna under användning. Håll din uppmärksamhet fokuserad på det du gör.

Kickback orsakas vanligtvis av:

- att oavsiktligt vidröra hårda föremål eller material med den roterande kapskivan;
- slöa kapskivor;
- kapskivor som inte är korrekt monterade;
- sågning i ett tidigare snitt;
- bristande uppmärksamhet på arbetsuppgiften;
- en instabil hållning.

Elsäkerhet



Kontrollera alltid så att spänningen på nätet motsvarar den spänning som finns angiven på märkplåten.

- Använd inte maskinen om nätkabeln eller nätkontakten är skadad.
- Använd endast förlängningskablar som är läm-

pliga för maskinens effekt med en minsta tjocklek på 1,5 mm². Om du använder en kabelvinda, rulla alltid ut kabeln helt.

2. MASKININFORMATION

Avsedd användning

Din spårfräs har designats för att göra spår i murverk. Maskinen är endast lämplig för högerhandsbruk.

TEKNISKA SPECIFIKATIONER

Modell-nr	WC502AC / S_WC502AC / S2_WC502AC
Strömspanning	230V ~
Strömfrekvens	50Hz
Ineffekt	1700 W
Varvtal utan belastning	4000 min ⁻¹
Spårbredd	14/19/29 mm
Spårdjup	5-40 mm
Kapskiva Diameter: Borr:	150 mm 22,2 mm
Spindelgंगा	M12
Skyddsklass	IP20
Vikt	5,1 kg
Ljudtryck L _{PA}	85,3 dB(A)
Ljudeffekt L _{WA}	96,3 dB(A)
Osäkerhet (K)	3 dB(A)
Vibration (huvudhandtag)	7,214 m/s ²
Vibration (extrahandtag)	5,843 m/s ²
Osäkerhet (K)	1,5 m/s ²



Använd hörselskydd.

Vibrationsnivå

Vibrationsutsläppsnivån som anges i denna bruksanvisning har uppmätts i enlighet med ett standardiserat test i EN62841, som kan användas för att jämföra verktyg med varandra och som en preliminär bedömning av exponering för vibrationer när du använder verktyget för angivna arbeten.

- Användning av verktyget för andra tillämpningar, eller med olika eller dåligt underhållna tillbehör kan avsevärt öka exponeringsnivån.

- De gånger då verktyget stängs av eller är på men egentligen inte används kan minska exponeringsnivån betydligt.

Skydda dig mot effekterna av vibrationer genom att underhålla verktyget och dess tillbehör, hålla händerna varma och organisera ditt arbetsmönster.

BESKRIVNING

Siffrorna i texten hänvisar till diagrammen på sidorna 2-5.

- Strömbrytare
- Låsknapp
- Låsvred för spårdjup
- Skala för spårdjup
- Spindellåsknapp
- Skydd
- Bas
- Styrulle
- Dammutsugningsanslutning
- Huvudhandtag
- Extrahandtag
- Insexskruv
- Insexnyckel
- Spindel
- Yttre fläns
- Flänsnyckel
- Kapskiva
- Brickor
- Kapskiva
- Spindelhylsa
- Inre fläns
- Dammugsadapter
- Laser
- På/av-knapp för laser
- Batterifack

3 MONTERING



Stäng alltid av maskinen och ta ut strömkontakten från strömkällan innan montering.

Byte av kapskivan (fig. B-D)

Slitna eller skadade kapskivor måste bytas omedelbart.



- Använd endast slipade och oskadade slipskivor.
- Använd endast kapskivor som är lämpliga för användning med materialet.

- Använd endast kapskivor med en högsta tillåtna hastighet som är lika med eller överstiger maskinens maximala tomgångshastighet.
- Använd endast diamanthkapskivor som är lämpliga för torrkapning.
- Byt alltid båda kapskivorna samtidigt.
- Försök aldrig ta bort skyddet.

- Placera maskinen på en stabil yta.
- Lossa insexsskruvarna (12) med insexnyckeln (13).
- Lossa låsvredet (3) och sänk ned basen (7).
- Ta bort skyddet (6).
- Håll spindellåsknappen (5) intryckt för att låsa spindeln (14).
- Lossa den yttre flänsen (15) med flänsnyckeln (16). Vrid medurs för att lossa. Vrid moturs för att dra åt.
- Ta bort den gamla kapskivan (17), distanserna (18), den gamla kapskivan (19), spindelhylsan (20) och den inre flänsen (21).
- Rengör vid behov flänsarna (15 och 21).
- Montera den inre flänsen (21), spindelhylsan (20), den nya kapskivan (19), distanserna (18) och den nya skårskivan (17).
- Dra åt den yttre flänsen (15) ordentligt med flänsnyckeln (16).
- Släpp spindellåsknappen (5).
- Montera skyddet (6).
- Lyft basen (7) och dra åt låsvredet (3).
- Dra åt insexsskruvarna (12) ordentligt med insexnyckeln (13).

4. DRIFT

Ställa in spårets bredd (fig. B-E)

Spårets bredd kan ställas in med hjälp av distanserna mellan kapskivorna. Antalet distanser mellan kapskivorna bestämmer spårets bredd.



- Ställ inte in spårbredden under användning.
- Montera alltid minst en distans mellan kapskivorna.

- Bestäm spårets bredd.
- Montera distanserna (18) runt kapskivorna (17 och 19) i önskad ordning. Se kapitlet "Byta kapskivor".

Ställa in spårdjup (fig. A och F)

Spårdjupet är variabelt mellan 5 och 40 mm. Spårdjupet kan avläsas på skalan (4).



Ställ inte in spårdjupet under användning.

- Lossa låsvredet (3).
- Luta basen (7) till önskad position. Ställ in ett spårdjup cirka 3 mm djupare än det djup som krävs för att kompensera för eventuella ojämnheter i väggytan.
- Dra åt låsvredet (3).

Igångsättning och avstängning (fig. A)

- Håll låsknappen (2) intryckt och tryck samtidigt på strömbrytaren (1) för att sätta igång maskinen.
- Släpp strömbrytaren (1) för att stänga av maskinen.

Använda lasern (fig. A)

- Tryck strömbrytaren (24) uppåt för att sätta på lasern (23).
- Släpp strömbrytaren (24) för att stänga av lasern (23).

Överbelastningskydd

Maskinen är utrustad med ett överbelastningskydd som automatiskt stänger av maskinen om maskinen är överbelastad.

- Stäng av maskinen.
- Ta bort maskinen från arbetsstycket.
- Slå på maskinen.
- Kör maskinen utan belastning i cirka en minut för att låta maskinen svalna.

Dammutsugning (fig. G)

Använd endast maskinen när den är ansluten till en dammsugningsanordning som är godkänd för stendamm. Dammsugningsanordningen måste vara lämplig för det material till som bearbetas. Använd en speciell dammsugningsanordning när du arbetar med giftiga material eller där det bildas giftigt damm.



- Använd aldrig en hushållsdammsugare. Användningen av en hushållsdammsugare kan lätt skada både din hälsa och dammsugaren.
- Använd alltid dammsugaradaptorn.
- Se till att dammsugningsanordningens slang är ordentligt ansluten till dammsugningsadaptorn.

- Om dammsugsanordningen vibrerar kraftigt, stäng omedelbart av maskinen, dra ut stickkontakten ur vägguttaget och försök lösa problemet.
- Sätt in dammsugningsadaptern (22) i dammsugningsöppningen (9).
- Anslut dammsugningsslangen till dammsugningsadaptern (22).

Tips för optimal användning

- Rita linjer för att definiera i vilken riktning kapskivorna ska styras.
- Håll maskinen med båda händerna. Håll din andra hand på extrahandtaget (11).
- Bestäm spårets bredd.
- Utför ett av följande steg.
 - Sänk ner maskinen i väggen och ställ in spår djupet (rekommenderas). Maskinen placeras mot väggen och skärskivorna sänks ner i väggen för att ställa in spår djupet mer exakt.
 - Ställ in spår djupet och sänk ner maskinen i väggen.
- Placera maskinen med styrrullen (8) på väggen. Se till att kapskivorna är i linje med de ritade linjerna på väggen.
- Bestäm spårets djup.
- Slå på maskinen.
- Vänta tills maskinen har uppnått full hastighet.
- Flytta långsamt maskinen längs de förritade linjerna nerifrån och upp, tryck styrrullen (8) fast mot väggen (fig.H).
- Tryck inte för hårt på maskinen. Låt maskinen göra arbetet.
- Stäng av maskinen och vänta tills maskinen står helt still innan du lägger ifrån dig den.

5. UNDERHÅLL



Dra alltid ut maskinen från eluttaget innan du utför något underhållsarbete.

Rengör maskinens hus regelbundet med en mjuk trasa, helst efter varje gång du använder maskinen. Se till att ventilationsöppningarna är fria från damm och smuts. Ta bort mycket ihållande smuts med en mjuk trasa fuktad med tvållösning. Använd inte lösningsmedel som bensin, alkohol, ammoniak osv. Sådana kemikalier skadar de syntetiska komponenterna.

Byte av batterier (fig. I)

Lasern använder 2 AAA-batterier. Om lasern slutar fungera måste batterierna bytas ut.

- Ta bort kåpan (26) från batterifacket (25).
- Ta ur de gamla batterierna (27).
- Sätt i nya batterier (27).
- Montera kåpan (27) på batterifacket (25).

MILJÖ



Felaktig och/eller kasserad elektrisk eller elektronisk utrustning måste lämnas in på lämpliga återvinningsstationer.

Endast för EU-länder

Kassera inte elverktyg i hushållsavfall. Enligt den europeiska riktlinjen 2012/19/EG om kasserad elektrisk och elektronisk utrustning och dess tillämpning i nationell rätt måste elverktyg som inte längre är användbara samlas in separat och kasseras på ett miljövänligt sätt.

GARANTI

VONROC-produkter är utvecklade enligt högsta kvalitetsstandard och garanteras fria från defekter i både material och utförande under den period som lagen föreskriver från och med inköpsdatumet. Om produkten skulle utveckla fel under denna period på grund av defekt material och/eller utförande, kontakta då VONROC direkt.

Följande omständigheter är undantagna från denna garanti:

- Reparationer och/eller ändringar har gjorts eller försökts utföras på maskinen av obehöriga servicecenter;
- Normalt slitage;
- Verktyget har missbrukats, använts på fel sätt eller underhållits felaktigt;
- Reservdelar som inte är original har använts.

Detta utgör den enda garantin som företaget ger antingen uttryckt eller underförstått. Det finns inga andra garantier uttryckta eller underförstådda som sträcker sig bortom detta, inklusive de underförstådda garantierna för säljbarhet och lämplighet för ett visst syfte. Under inga omständigheter ska VONROC hållas ansvarigt för indirekta skador eller följdsador. Återförsäljarnas åtgärder

ska begränsas till reparation eller byte av enheter eller delar som inte uppfyller kraven.

**Produkten och användarhandboken kan ändras.
Specifikationerna kan ändras utan förvarning.**

1. SIKKERHEDSANVISNINGER

Læs de vedlagte sikkerhedsadvarsler, de yderligere sikkerhedsadvarsler og vejledningen. Hvis sikkerhedsadvarslerne og vejledningen ikke følges, kan det resultere i elektrisk stød, brand og/eller alvorlige personskader. Gem sikkerhedsadvarslerne og vejledningen til fremtidig brug.

Følgende symboler anvendes i brugervejledningen eller på produktet:



Læs brugervejledningen.



Risiko for personskade.



Risiko for elektrisk stød.



Tag øjeblikkeligt netstikket ud af stikkontakten, hvis netkablet bliver beskadiget, samt under rengøring og vedligeholdelse.



Bær sikkerhedsbriller.
Bær høreværn.



Bær en støvmaske.



Risiko for flyvende genstande. Tilskuere skal holde sig på afstand af arbejdsområdet.



Klasse II maskine - Dobbelt isolering - Du har ikke brug for et jordforbundet stik.



Advarsel om laserstråling.



Bortskaf ikke produktet i uegnede beholdere.



Produktet er i overensstemmelse med de gældende sikkerhedsstandarder i EU-direktiverne.

GENERELLE SIKKERHEDSADVARSLER FOR ELVÆRKTØJ



ADVARSEL! Læs alle sikkerhedsadvarsler og alle anvisninger. Hvis advarslerne og vejledningen ikke følges, kan det resultere i elektrisk stød, brand og/eller alvorlige personskader.

Gem alle advarsler og instruktioner til fremtidig brug. Udtrykket "el-værktøj" i advarslerne refererer til dit el-værktøj (med ledning) eller dit batteridrevne (ledningsfri) el-værktøj.

1) Sikkerhed på arbejdsområdet

- Hold arbejdsområdet rent og godt oplyst.** Der er risiko for ulykker på rodede eller mørke områder.
- Brug ikke el-værktøj i eksplosive atmosfærer, f.eks. i nærheden af brandfarlige væsker, gasser eller støv.** El-værktøj danner gnister, der kan antænde støv eller dampe.
- Hold børn og tilskuere væk, mens du bruger et el-værktøj.** Distractioner kan få dig til at miste kontrollen.

2) El-sikkerhed

- Stik på el-værktøj skal passe til stikkontakten. Stikket må aldrig modificeres på nogen måde. Brug ikke adapterstik med jordforbundne (jordede) el-værktøj.** Umodificerede stik og tilsvarende stikkontakter reducerer risikoen for elektrisk stød.
- Undgå kropskontakt med jordede overflader, såsom rør, radiatorer, områder og køleskabe.** Der er en øget risiko for elektrisk stød, hvis din krop er jordet.
- El-værktøjer må ikke udsættes for regn eller våde omgivelser.** Vand, der trænger ind i et el-værktøj, vil øge risikoen for elektrisk stød.
- Misbrug ikke ledningen. Brug ikke ledningen til at bære, trække eller frakoble el-værktøjet. Hold ledningen væk fra varme, olie, skarpe kanter eller dele i bevægelse.** Beskadigede eller sammenfildrede ledninger øger risikoen for elektrisk stød.
- Når du betjener et el-værktøj udendørs, skal du bruge en forlængerledning, der er velegnet til udendørs brug.** Brug af en ledning, der er velegnet til udendørs brug, reducerer risikoen for elektrisk stød.
- Hvis det ikke kan undgås at bruge et maskinværktøj i et fugtigt miljø, bør du anvende en forsyning, der er beskyttet af en fejlstrømsafbryder (RCD).** Brugen af en RCD reducerer risikoen for elektrisk stød.

3) Personlig sikkerhed

- Vær opmærksom, se hvad du laver, og brug din sunde fornuft, når du bruger et el-værktøj.**

- Brug ikke et el-værktøj, når du er træt eller påvirket af stoffer, alkohol eller medicin.** Et øjeblik uopmærksomhed under brug af el-værktøj kan resultere i alvorlig personskade.
- b) **Brug personligt sikkerhedsudstyr. Bær altid øj-
enværn.** Beskyttelsesudstyr såsom støvmaske, skridsikre sikkerhedssko, hjelm eller høreværn, der bruges til passende forhold, reducerer personskader.
- c) **Undgå utilsigtet start. Sørg for, at kontakten er slukket, før du tilslutter strømkilden og/eller batteripakken, tager maskinen op eller bærer værktøjet.** Hvis el-værktøj bæres med fingeren på kontakten, eller når el-værktøj strømføres med tændt kontakt, kan der nemt ske ulykker.
- d) **Fjern en eventuel justeringsnøgle eller skrue-
nøgle, inden du tænder for el-værktøjet.** En skrue-
nøgle eller en justeringsnøgle, der er fastgjort til en roterende del af el-værktøjet, kan resultere i personskade.
- e) **Ræk dig ikke for langt. Hold altid et korrekt
fodfæste og balancen.** Dette giver bedre kontrol over el-værktøjet i uventede situationer.
- f) **Klæd dig korrekt. Bær ikke løst tøj eller
smykker. Hold dit hår, tøj og handsker væk fra
bevægelige dele.** Løst tøj, smykker eller langt hår kan sætte sig fast i bevægelige dele.
- g) **Hvis der leveres enheder til tilslutning af
støvudsugnings- og opsamlingsfaciliteter, skal
du sikre, at disse er tilsluttet og bliver brugt
korrekt.** Brug af støvopsamling kan reducere støvrelaterede farer.
- h) **Lad ikke kendskab opnået gennem hyppig
brug af værktøj lade dig blive tilbagelænet
og ignorere værktøjssikkerhedsprincipper.** En skødesløs handling kan forårsage alvorlig personskade inden for en brøkdæl af et sekund.
- 4) Brug og pleje af el-værktøj**
- a) **Tving ikke el-værktøjet. Brug det korrekte el-
værktøj til din opgave.** Det korrekte el-værktøj vil gøre et bedre stykke arbejde og vil være mere sikkert ved den hastighed, det var beregnet til.
- b) **Brug ikke el-værktøjet, hvis kontakten ikke
tænder og slukker.** Ethvert el-værktøj, der ikke kan styres med kontakten, er farligt og skal repareres.
- c) **Tag stikket ud af strømkilden og/eller fjern
batteripakken fra el-værktøjet, før du foretager
justeringer, skifter tilbehør eller opbevarer**
- el-værktøj.** Disse forebyggende sikkerhedsforanstaltninger reducerer risikoen for at tænde el-værktøjet ved et uheld.
- d) **Opbevar inaktivt el-værktøj uden for børns
rækkevidde, og lad ikke personer, der ikke har
kendskab til el-værktøjet eller disse instruktio-
ner, betjene værktøjet.** El-værktøjer er farlige i hænderne på utrænede brugere.
- e) **Vedligehold el-værktøjer. Se efter forkert juste-
ring eller binding af bevægelige dele, ødelagte
dele og enhver anden tilstand, der kan påvirke
el-værktøjets drift. Hvis det er beskadiget, bør du
få el-værktøjet repareret før brug.** Mange ulykker forårsages af dårligt vedligeholdt el-værktøj.
- f) **Hold skæreværktøj skarpt og rent.** Korrekt vedligeholdelse af skæreværktøjer med skarpe skærekanten har mindre tilbøjelighed til at binde og er lettere at styre.
- g) **Brug el-værktøj, tilbehør og værktøjsbor osv.
i overensstemmelse med disse instruktioner
under hensyntagen til arbejdsforholdene
og det arbejde, der skal udføres.** Brug af el-
værktøjet til andet arbejde end det tilsigtede kan resultere i en farlig situation.
- h) **Hold håndtag og gribeplader tørre, rene og fri
fra olie og fedtstof.** Glatte håndtag og gribeplader giver ikke mulighed for sikker håndtering og kontrol af værktøjet i uventede situationer.
- 5) Brug og pleje af værktøjsbatterier**
- a) **Brug kun den oplader, der er specificeret af
producenten, til opladning.** En oplader, der er egnet til én type batteripakke, kan forårsage risiko for brand, når den anvendes med en anden batteripakke.
- b) **Brug kun el-værktøj med specifikt udformede
batteripakker.** Brug af andre batteripakker kan resultere i risiko for personskader og brand.
- c) **Når batteripakken ikke er i brug, skal den holdes
væk fra andre metalgenstande, som f.eks.
papirclips, mønter, nøgler, søm, skruer eller
andre små metalgenstande, der kan skabe en
forbindelse fra den ene terminal til den anden.** Hvis batteriterminalerne kortsluttes, kan det forårsage forbrændinger eller en brand.
- d) **Ved forkert anvendelse kan der slippe væske
ud af batteriet; undgå kontakt. Skyl med vand,
hvis der skulle opstå kontakt ved et uheld. Søg
derudover lægehjælp, hvis der kommer væske
ind i øjnene.** Væske fra batteriet kan forårsage irritation eller forbrændinger.

- e) **Brug ikke en batteripakke eller et værktøj, der er beskadiget eller modificeret.** Beskadede eller modificerede batterier kan udvise uforudsigelig adfærd, hvilket resulterer i brand, eksplosion eller risiko for personskade.
- f) **Undlad at udsætte en batteripakke eller et værktøj for åben ild eller for høj temperatur.** Udsættelse for åben ild eller temperatur over 130 °C kan forårsage eksplosion. BEMÆRK Temperaturen „130 °C“ kan erstattes af temperaturen „265 °F“.
- g) **Følg alle opladningsinstruktioner, og oplad ikke batteripakken eller værktøjet uden for temperaturintervallet specificeret i instruktionerne.** Forkert opladning eller opladning ved temperaturer uden for det specificerede interval kan beskadige batteriet og øge risikoen for brand.
- 6) **Service**
- a) **Lad dit el-værktøj blive servicere af en kvalificeret reparatør, der kun bruger identiske reservedele.** Dette sikrer, at el-værktøjet fortsat er sikkert at bruge.
- b) **Foretag aldrig service på beskadigede batteripakker.** Service af batteripakker bør kun udføres af producenten eller autoriserede serviceudbydere.
- Vær opmærksom på skjulte rør og ledninger, når du skærer ridser i vægge.
 - Hold altid maskinen med to hænder.
 - Brug aldrig maskinen uden afskærmningen.
 - Efterse skæreskiverne før hver brug. Undlad at bruge skæreskiver, der er bøjet, revnet eller på anden vis beskadiget.
 - Sørg for, at skæreskiverne er korrekt monteret.
 - Sørg for, at skæreskiverne roterer i den rigtige retning.
 - Brug ikke maskinen med skæreskiverne opad eller til siden.
 - Brug kun skæreskiver, der er velegnet til brug med maskinen.
 - Brug kun skæreskiver med de korrekte dimensioner.
 - Brug ikke andet tilbehør en skæreskiver.
 - Brug ikke maskinen, når der kræves en maksimal rilleddybde, der overstiger skæreskivernes maksimale rilleddybde.
 - Sørg for, at dine hænder ikke rører ved de roterende dele.
 - Arbejd altid i den rigtige arbejdsretning (se angivelse på bunden).
 - Lad maskinen køre uden belastning på et sikkert område efter montering af skæreskiver. Hvis maskinen vibrerer kraftigt, skal du straks slukke for maskinen, tage netstikket ud af stikkontakten og forsøge at løse problemet.
 - Vær opmærksom på, at skæreskiverne fortsætter med at rotere i en kort periode, efter at maskinen er slukket. Forsøg ikke selv at få skæreskiverne til at standse.
 - Du må aldrig lægge maskinen ned på et bord eller en arbejdsbænk, før den er blevet slukket.

YDERLIGERE SIKKERHEDSADVARSLER FOR RILLEFRÆSER

- **Advarsel om laserstråling.** Laserklasse 2, P maks.: <1 mW, λ: 650 nm, EN 60825-1:2014. Kig ikke direkte ind i laserstrålen eller åbningen, som den kommer fra. Ret aldrig laserstrålen mod mennesker, dyr eller reflekterende overflader. Selv kort øjenkontakt kan føre til øjenskader. Undersøgelse af laserudgangsåbningen ved brug af optiske instrumenter (f.eks. forstørrelsesglas, lupper og lignende) medfører risiko for øjenskader. Overhold de nationale bestemmelser om at bruge beskyttelsesbriller, når du arbejder med en laser af klasse 2.
- Arbejd ikke med materialer, der indeholder asbest. Asbest anses for at være kræftfremkaldende.
- Bær beskyttelsesbriller, høreværn og om nødvendigt andre beskyttelsesmidler, såsom sikkerhedshandsker, sikkerhedssko mv.
- Inden brug skal du fjerne alle søm og andre metaliske dele fra væggen.

Tilbageslag

Tilbageslag er skæreskivernes op- og tilbagebevægelse, når skæreskiverne uventet rører en genstand. Hold maskinen sikkert med begge hænder under brug. Hold din opmærksomhed på betjeningen.

Tilbageslag forårsages af:

- utilsigtet berøring af hårde genstande eller materialer med de roterende skæreskiver;
- sløve skæreskiver;
- skæreskiver, der ikke er korrekt monteret;
- skæring ned i et snit, som allerede er lavet;
- manglende opmærksomhed på betjeningen;
- en ustabil holdning.

El-sikkerhed

Kontroller altid, at strømforsynings spænding stemmer overens med spændingen på ydelsesskiltet.

- Brug ikke maskinen, hvis netledningen eller netstikket er beskadiget.
- Brug kun forlængerledninger, der er velegnede til maskinens effekt med en minimumstykkelse på 1,5 mm². Hvis du bruger en forlængerkabelrulle, skal du altid rulle kablet helt ud.

2. MASKINOPLYSNINGER**Tilsigtet brug**

Din rillefræser er blevet designet til at lave riller i murværk. Maskinen er kun velegnet til brug med højre hånd.

TEKNISKE SPECIFIKATIONER

Model nr.	WC502AC / S_WC502AC / S2_WC502AC
Netspænding	230 V~
Netfrekvens	50 Hz
Indgangseffekt	1700 W
Hastighed uden last	4000 min ⁻¹
Rillebredde	14/19/29 mm
Rilledybde	5-40 mm
Skæreskive Diameter:	150 mm
Boringsdiameter:	22,2 mm
Spindelgevind	M12
Beskyttelsesklasse	IP20
Vægt	5,1kg
Lydtryk L _{PA}	85,3 dB(A)
Lydeffekt L _{WA}	96,3 dB(A)
Usikkerhed (K)	3 dB(A)
Vibration (hovedgreb)	7,214 m/s ²
Vibration (hjælpegreb)	5,843 m/s ²
Usikkerhed (K)	1,5 m/s ²



Bær høreværn.

Vibrationsniveau

Det udsendte vibrationsniveau, der er angivet

i denne brugsvejledning, er blevet målt i overensstemmelse med en standardiseret test i henhold til EN60745; Den kan bruges til at sammenligne et værktøj med et andet og som en indledende vurdering af eksponering for vibration, når værktøjet bruges til de nævnte anvendelser.

- Når værktøjet bruges til forskellige anvendelser, eller med forskelligt eller dårligt vedligeholdt tilbehør, kan eksponeringsniveauet øges betydeligt.
- De gange, hvor værktøjet er slukket, eller når det er tændt, men ikke bruges til opgaven på det pågældende tidspunkt, kan det reducere eksponeringsniveauet betydeligt.

Beskyt dig mod vibrationseffekterne ved at vedligeholde værktøjet og dets tilbehør, holde dine hænder varme og organisere dine arbejdsmønstre.

BESKRIVELSE

Tallene i teksten henviser til diagrammerne på side 2-5.

1. Tænd/sluk-kontakt
2. Låseknap
3. Låseknap til rilledybde
4. Skala for rilledybde
5. Spindellåseknap
6. Beskyttelse
7. Base
8. Styrrulle
9. Tilslutning til støvudsugning
10. Hovedgreb
11. Hjælpegreb
12. Unbrakoskruer
13. Unbrakonøgle
14. Spindel
15. Udvendig flange
16. Flangenøgle
17. Skæreskive
18. Afstandsstykker
19. Skæreskive
20. Spindelærme
21. Indvendig flange
22. Støvudsugningsadapter
23. Laser
24. Tænd/sluk-kontakt til laser
25. Batterirum

3. MONTERING



Før monteringen skal du altid slukke for maskinen og trække netstikket ud af kontakten.

Udskiftning af skæreskiverne (fig. B - D)

Slide eller beskadigede skæreskiver skal udskiftes med det samme.



- Brug kun skarpe og ubeskadigede skæreskiver.
- Brug kun skæreskiver, der er velegnede til det materiale, der skal bearbejdes.
- Brug kun skæreskiver med en maksimalt tilladt hastighed, der er lig med eller overstiger maskinens maksimale tomgangshastighed.
- Brug kun diamantskæreskiver, der er velegnede til tørskæring.
- Udskift altid begge skæreskiver på samme tid.
- Forsøg aldrig at fjerne afskærmningen.

- Stil maskinen på en stabil overflade.
- Løsn unbrakoskruerne (12) ved hjælp af unbrakonøglen (13).
- Løsn låseknoppen (3) og sænk bunden (7).
- Fjern afskærmningen (6).
- Hold spindellåseknappen (5) nede for at låse spindlen (14).
- Løsn den udvendige flange (15) ved hjælp af flangenøglen (16). Drej med uret for at løsne. Drej mod uret for at stramme.
- Fjern den gamle skæreskive (17), afstandsstykkerne (18), den gamle skæreskive (19), spindelbøsningen (20) og den indvendige flange (21).
- Rengør om nødvendigt flangerne (15 & 21).
- Monter den indvendige flange (21), spindelbøsningen (20), den nye skæreskive (19), afstandsstykkerne (18) og den nye skæreskive (17).
- Spænd den udvendige flange (15) godt fast med flangenøglen (16).
- Slip spindellåseknappen (5).
- Monter afskærmningen (6).
- Hævn bunden (7) og spænd låseknoppen (3).
- Stram unbrakoskruerne (12) godt ved hjælp af unbrakonøglen (13).

4. BETJENING

Indstilling af rillebredden (fig. B - E)

Rillebredden kan indstilles ved hjælp af afstandsstykkerne mellem skæreskiverne. Antallet af afstandsstykker mellem skæreskiverne bestemmer rillebredden.



- Indstil ikke rillebredden under brug.
- Monter altid mindst ét afstandsstykke mellem skæreskiverne.

- Afgør rillebredden.
- Monter afstandsstykkerne (18) omkring skæreskiverne (17 & 19) i den påkrævede rækkefølge. Se kapitlet "Udskiftning af skæreskiverne".

Indstilling af rilledybden (fig. A & F)

Rilledybden varierer mellem 5 og 40 mm. Rilledybden kan aflæses på skalaen (4).



- Indstil ikke rilledybden under brug.

- Løsn låseknoppen (3).
- Vip bunden (7) til den påkrævede position. Indstil en rilledybde cirka 3 mm dybere end den nødvendige dybde for at kompensere for mulige ujævnheder i vægoverfladen.
- Stram låseknoppen (3).

Tænd og sluk (fig. A)

- Tænd for maskinen ved at holde oplåseknappen (2) nede og samtidig trykke på tænd/sluk-kontakten (1).
- Sluk for maskinen ved at frigive tænd/sluk-kontakten (1).

Brug af laseren (fig. A)

- Tænd for laseren (23) ved at trykke på tænd/sluk-kontakten (24).
- Sluk for laseren (23) ved at frigive tænd/sluk-kontakten (24).

Overbelastningsbeskyttelse

Maskinen er udstyret med en overbelastningsbeskyttelse, som automatisk slukker for maskinen, hvis maskinen er overbelastet.

- Sluk for maskinen.
- Fjern maskinen fra arbejdsområdet.
- Tænd for maskinen.

- Lad maskinen køre uden belastning i cirka 1 minut for at lade maskinen køle af.

Støvsugning (fig. G)

Brug kun maskinen, når den er sluttet til en støvsugerenhed, der er godkendt til støvsug. Støvsugerenheden skal være velegnet til det materiale, der bearbejdes. Brug en speciel støvsugerenhed, når du arbejder med giftige materialer, eller hvor der produceres giftigt støv.



- Brug aldrig en husholdningsstøvsuger. Brugen af en husholdningsstøvsuger kan nemt skade både dit helbred og støvsugereren.
- Brug altid en støvsugningsadapter.
- Sørg for, at støvsugerenhedens slange er sluttet sikkert til støvsugningsadapteren.
- Hvis støvsugerenheden bryder sammen, skal du straks stoppe arbejdet, slukke for maskinen, tage netstikket ud af stik-kontakten og forsøge at løse problemet.

- Indsæt støvsugeradapteren (22) i støvsugningsforbindelsen (9).
- Slut støvsugerenhedens slange til støvsugeradapteren (22).

Tips til optimal brug

- Tegn linjer for at definere den retning, skæreskiverne skal føres i.
- Hold maskinen med begge hænder. Hold din anden hånd på hjælpehåndtaget (11).
- Indstil rillebredden.
- Tag en af de følgende trin:
 - Sænk maskinen ind i væggen og indstil rilledybden (anbefales). Maskinen placeres mod væggen og skæreskiverne sænkes ned i væggen for at indstille rilledybden mere præcist.
 - Indstil rilledybden og sænk maskinen ned i væggen.
- Placer maskinen med styrerullen (8) på væggen. Sørg for, at skæreskiverne flugter med de tegnede linjer på væggen.
- Indstil rilledybden.
- Tænd for maskinen.
- Vent, til maskinen har nået fuld hastighed.
- Bevæg langsomt maskinen langs de fortegnede linjer fra top til bund, og pres styrerullen (8) fast mod væggen (fig. H).

- Påfør ikke for meget tryk på maskinen. Lad maskinen gøre arbejdet.
- Sluk for maskinen, og vent på, at den standser helt, inden du lægger maskinen fra dig.

5. VEDLIGEHOLDELSE



Afbryd altid maskinen fra netforsyningen, inden der udføres vedligeholdelsesarbejde.

Rengør maskinbeklædningerne regelmæssigt med en blød klud, helst efter hver anvendelse. Sørg for, at der ikke er støv eller snavs i ventilationsåbningerne. Fjern snavs, der sidder meget godt fast, med en blød klud, der er fugtet i sæbevand. Brug ikke opløsningsmidler, som f.eks. benzin, sprit, ammoniak osv. Kemikalier som disse beskadiger de syntetiske komponenter.

Udskiftning af batterierne (fig. I)

Laseren bruger 2 AAA-batterier. Hvis laseren holder op med at virke, skal batterierne udskiftes.

- Fjern dækslet (26) fra batterirummet (25).
- Fjern de gamle batterier (27).
- Isæt de nye batterier (27).
- Monter dækslet (27) på batterirummet (25).

MILJØ



Defekte og/eller bortskaffede elektriske og elektroniske apparater skal afleveres på en passende genbrugsstation.

Kun for lande i EU

Maskinværktøj må ikke bortskaffes sammen med husholdningsaffald. Ifølge EC-direktiv 2012/19/EU om affald af elektrisk og elektronisk udstyr og dets gennemførelse i den nationale lovgivning skal maskinværktøjer, der ikke længere anvendes, afleveres separat og bortskaffes på en miljøvenlig måde.

GARANTI

VONROC-produkter er udviklet til de højeste kvalitetsstandarder og er garanteret fri for defekter i både materialer og udførelse i den periode, der er retsligt angivet fra datoen for det originale køb. Hvis produktet skulle udvikle fejl i denne periode på grund af defekt materiale og/eller udførelse, bedes du kontakte VONROC direkte.

Følgende omstændigheder er udelukket fra denne garanti:

- Uautoriserede servicecentre har foretaget eller gjort forsøg på at foretage reparationer og/eller ændringer på maskinen;
- Normal slitage;
- Værktøjet er blevet misbrugt, brugt forkert eller ikke passende vedligeholdt;
- Der er anvendt ikke-originale reservedele.

Dette udgør den eneste garanti, virksomheden har givet, enten udtrykt eller underforstået. Der er ingen andre garantier, udtrykt eller underforstået, som strækker sig ud over denne, herunder de underforståede garantier for salgbarhed og egnethed til et bestemt formål. Under ingen omstændigheder skal VONROC holdes ansvarlig for tilfældige skader eller følgeskader. Forhandlerens retsmidler skal være begrænset til reparation eller udskiftning af enheder eller dele, der ikke overholder kravene.

Produktet og brugervejledningen er genstand for ændringer. Specifikationer kan ændres uden yderligere varsel.

1. INSTRUKCJĘ DOTYCZĄCĄ BEZPIECZEŃSTWA OSTRZEŻENIE

Przeczytać dołączone ostrzeżenia dotyczące bezpieczeństwa, dodatkowe ostrzeżenia dotyczące bezpieczeństwa oraz instrukcje. Nieprzestrzeganie ostrzeżeń dotyczących bezpieczeństwa oraz instrukcji może prowadzić do porażenia prądem, pożaru i/lub poważnych obrażeń ciała. Zachować ostrzeżenia dotyczące bezpieczeństwa oraz instrukcje na przyszłość.

Następujące symbole są umieszczone w instrukcji obsługi lub na produkcie:



Przeczytać instrukcje obsługi.



Ryzyko obrażeń ciała



Ryzyko porażenia prądem.



Niezwłocznie odłączyć wtyczkę zasilania sieciowego od gniazdka sieciowego, jeśli przewód zasilania sieciowego zostanie uszkodzony, a także na czas czyszczenia i konserwacji.



Używać gogli ochronnych.
Stosować osłonę dla uszu.



Nos maskę przeciwpyłową.



Ryzyko wyrzucenia przedmiotów w powietrze. Nie pozwalać osobom postronnym zbliżać się do obszaru pracy.



Maszyna klasy II - Podwójna izolacja - Nie trzeba stosować wtyczek z uziemieniem.



Ostrzeżenie przed promieniowaniem laserowym.



Nie wyrzucać produktu do nieodpowiednich pojemników.



Produkt spełnia wymogi odpowiednich norm bezpieczeństwa podanych w dyrektywach UE.

OGÓLNE ZALECENIA DOTYCZĄCE BEZPIECZEŃSTWA



UWAGA! Przeczytać wszystkie ostrzeżenia dotyczące bezpieczeństwa i wszystkie instrukcje. Nieprzestrzeganie wszystkich poniższych instrukcji może być przyczyną porażenia prądem, pożaru i/lub poważnych obrażeń.

Zachowaj poniższe instrukcje.

Termin „elektronarzędzia akumulatorowe” we wszystkich ostrzeżeniach zamieszczonych poniżej odnosi się do elektronarzędzi akumulatorowych zasilanych sieciowo (przewodowych) lub elektronarzędzi akumulatorowych działających na baterie (beprzewodowych).

1) Obszar roboczy

- a) **Obszar roboczy należy utrzymywać w czystości.** Powinien on być dobrze oświetlony. Nieład i złe oświetlenie mogą z łatwością doprowadzić do wypadku.
- b) **Nie korzystaj z elektronarzędzi akumulatorowych w warunkach, w których łatwo może dojść do wybuchu, np. w obecności łatwopalnych cieczy, gazów lub pyłu.** Podczas pracy elektronarzędzi akumulatorowych powstają iskry, które mogą doprowadzić do zapłonu pyłu lub oparów.
- c) **Dzieci i inne osoby postronne powinny pozostać w bezpiecznej odległości od pracującego urządzenia.** Rozproszenie uwagi może spowodować utratę kontroli nad urządzeniem.

2) Bezpieczeństwo związane z elektrycznością

- a) **Wtyczki elektronarzędzi akumulatorowych muszą być odpowiednie do danego gniazda. Pod żadnym pozorem nie należy modyfikować wtyczki w jakikolwiek sposób. Nie należy używać adapterów, które uziemiają elektronarzędzia akumulatorowe.** Stosowanie wtyczek nie poddanych modyfikacjom oraz odpowiednich gniazd zmniejsza ryzyko porażenia prądem.
- b) **Należy unikać bezpośredniego kontaktu fizycznego z powierzchniami uziemionymi, takimi jak rury, grzejniki, kuchenki, lodówki.** Ryzyko porażenia prądem jest większe, jeśli ciało osoby obsługującej urządzenie jest uziemione.
- c) **Nie należy wystawiać elektronarzędzi akumulatorowych na działanie deszczu lub wilgoci.** Dostanie się wody do wnętrza elektronarzędzia akumulatorowego zwiększy ryzyko porażenia prądem.

- d) **Nie należy używać przewodu w niewłaściwy sposób. Pod żadnym pozorem nie należy wykorzystywać przewodu do przenoszenia lub ciągnięcia elektronarzędzia akumulatorowego, ani do jego odłączania od sieci. Przewodu nie należy wystawiać na działanie ciepła, smarów. Powinien on znajdować się w bezpiecznej odległości od ostrych krawędzi i części ruchomych.** Przewody uszkodzone lub poplątane zwiększają ryzyko porażenia prądem.
- e) **Podczas korzystania z elektronarzędzia akumulatorowego na wolnym powietrzu, należy używać przewodu przedłużacza przystosowanego do użytku na zewnątrz.** Używanie przewodu nadającego się do użytku na wolnym powietrzu zmniejsza ryzyko porażenia prądem.
- f) **Jeśli obsługa elektronarzędzia w wilgotnym miejscu jest nieunikniona, użyć zasilania wyposażonego w wyłącznik różnicowo-prądowy.** Użycie wyłącznika różnicowo-prądowego zmniejsza ryzyko porażenia prądem.
- 3) Bezpieczeństwo osoby obsługującej urządzenie**
- a) **Przez cały czas należy mieć się na baczności, uważać na to, co się robi, a w czasie obsługi elektronarzędzia akumulatorowego postępować mając na uwadze zdrowy rozsądek. Urządzenia nie powinny obsługiwać osoby zmęczone lub będące pod wpływem narkotyków, alkoholu lub leków.** Chwila nieuwagi w czasie obsługi elektronarzędzi akumulatorowych może być przyczyną powstania poważnych obrażeń ciała.
- b) **Należy korzystać ze sprzętu ochronnego oraz zawsze nosić okulary ochronne.** Sprzęt ochronny, jak na przykład maska przeciwpyłowa, antypoślizgowe obuwie ochronne, kask lub słuchawki ochronne używany we właściwych sytuacjach pozwoli na zmniejszenie ryzyka obrażeń ciała.
- c) **Unikać niezamierzonego uruchomienia. Przed podłączeniem urządzenia do sieci, zawsze sprawdzić, czy przełącznik znajduje się w pozycji „wyłączony”.** Przenoszenie elektronarzędzi z palcem na przełączniku lub włączonych elektronarzędzi z przełącznikiem w położeniu włączenia jest bardzo niebezpieczne i może powodować wypadki.
- d) **Przed włączeniem elektronarzędzia akumulatorowego należy usunąć z niego wszystkie klucze nastawcze lub maszynowe.** Pozostawienie klucza zamocowanego na jednej z części obrotowych urządzenia może spowodować powstanie obrażeń ciała.
- e) **Nie należy sięgać ponad urządzeniem. Przez cały czas należy zachować odpowiednią równowagę i zapewnić odpowiednie oparcie dla stóp.** Pozwoli to na lepsze kontrolowanie urządzenia w nieoczekiwanych sytuacjach.
- f) **Należy nosić odpowiednie ubranie. Do pracy z urządzeniem nie wkładać luźnych ubrań ani biżuterii. Włosy, ubranie i rękawiczki trzymać z dala od części ruchomych.** Luźne części ubrania, biżuteria lub długie włosy mogą zostać wciągnięte przez części ruchome.
- g) **Jeśli w urządzeniu przewidziano elementy służące do odprowadzania i zbierania pyłu, należy sprawdzić, czy są podłączone, i czy działają we właściwy sposób.** Korzystanie z tego typu elementów pozwala ograniczyć ryzyko związane z wydzielaniem pyłu podczas pracy urządzenia.
- h) **Nie zezwalać na to, aby rutyna związana z częstym korzystaniem z narzędzi powodowała nadmierną pewność siebie i ignorowanie zasad bezpiecznego korzystania z narzędzi.** Nieodpowiedzialne działanie może spowodować poważne obrażenia ciała w ułamku sekundy.
- 4) Obsługa i konserwacja elektronarzędzi akumulatorowych**
- a) **Urządzenia nie należy przeciążać. Należy korzystać z narzędzia odpowiedniego do danego typu pracy.** Odpowiednio dobrane urządzenie pozwoli na lepsze i bezpieczniejsze wykonanie pracy, we właściwym dla urządzenia tempie.
- b) **Z elektronarzędzia akumulatorowego nie należy korzystać, jeśli nie można go włączyć i wyłączyć przy pomocy przełącznika.** Urządzenie, którego nie można kontrolować używając przełącznika jest niebezpieczne i powinno być oddane do naprawy.
- c) **Przed przystąpieniem do regulowania elektronarzędzi akumulatorowych, wymiany akcesoriów lub przygotowywania urządzeń do okresu przechowywania, należy odłączyć wtyczkę od źródła zasilania.** Tego typu środki ostrożności zmniejszają ryzyko przypadkowego uruchomienia urządzenia.
- d) **Nieczynne elektronarzędzia akumulatorowe należy przechowywać poza zasięgiem dzieci. Nie należy pozwolić, aby osoby nie znające urządzenia lub niniejszych instrukcji obsługi używały urządzenia.** Elektronarzędzia akumulatorowe w

rękach niekompetentnych użytkowników stanowią zagrożenie.

- e) **Elektronarzędzia akumulatorowe należy utrzymywać w dobrym stanie technicznym. Należy sprawdzać, czy części ruchome są właściwie założone, i czy się nie zacinają. Należy również sprawdzać, czy jakieś części nie są uszkodzone oraz sprawdzać wszelkie inne elementy, które mogą wpłynąć na pracę urządzeń. Jeśli urządzenie jest uszkodzone, przed przystąpieniem do jego użytkowania, należy je naprawić.** Częstą przyczyną wypadków jest zły stan techniczny urządzeń.
 - f) **Narzędzia służące do cięcia powinny być naostrzone i utrzymywane w czystości.** Jeśli narzędzia służące do cięcia, które posiadają ostre krawędzie tnące, są właściwie konserwowane, istnieje mniejsze prawdopodobieństwo ich zacinania się. Ponadto, łatwiej je kontrolować.
 - g) **Elektronarzędzia akumulatorowe, akcesoriów, nakładek, itp. należy używać zgodnie z niniejszymi instrukcjami oraz w sposób właściwy dla danego rodzaju urządzenia, z u wzięciem w uwagę warunków pracy oraz jej rodzaju.** Używanie urządzenia niezgodnie z przeznaczeniem może prowadzić do powstania sytuacji niebezpiecznych.
 - h) **Uchwyty należy utrzymywać w stanie suchym, czystym i niezabrudzonym olejem lub smarem.** Śliskie uchwyty i powierzchnie do chwytania nie pozwalają na bezpieczne obchodzenie się z narzędziem i panowanie nad nim w nieoczekiwanych sytuacjach.
- 5) Użytkowanie i konserwacja urządzenia zasilanego akumulatorami**
- a) **Ładować tylko przy użyciu ładowarki określonej przez producenta.** Ładowarka przewidziana dla jednego rodzaju akumulatorów stwarza ryzyko pożaru w przypadku użycia jej z innym zestawem akumulatorów.
 - b) **Należy używać jedynie akumulatorów przeznaczonych dla danego urządzenia.** Użycie innych akumulatorów stwarza ryzyko wystąpienia obrażeń ciała lub pożaru.
 - c) **Kiedy akumulatorki nie są używane, należy przechowywać je z dala od przedmiotów metalowych, takich jak spinacze do papieru, monety, klucze, gwoździe, śruby lub inne niewielkie przedmioty metalowe, które mogłyby spowodować zwarcie pomiędzy stykami.** Zwarcie styków akumulatorka może spowodować pożar.

- d) **W przypadku przecięcia z akumulatorka może wycieknąć płyn; nie należy go dotykać. W razie przypadkowego kontaktu przemyć skórę wodą. W przypadku dostania się płynu do oczu należy skontaktować się z lekarzem.** Płyn z akumulatorka może powodować podrażnienia lub oparzenia.
 - e) **Nie używać uszkodzonego ani zmodyfikowanego akumulatora lub narzędzia.** Uszkodzone lub zmodyfikowane akumulatory mogą działać w sposób nieoczekiwany, co może powodować pożar, wybuch lub ryzyko obrażeń ciała.
 - f) **Nie wystawiać akumulatora ani narzędzia na działanie płomienia lub zbyt wysokiej temperatury.** Narażenie na działanie płomienia lub temperatury powyżej 130°C może spowodować wybuch. UWAGA Temperaturę „130 °C” można zastąpić temperaturą „265 °F”.
 - g) **Przestrzegać wszystkich instrukcji ładowania i nie ładować akumulatora ani narzędzia poza zakresem temperatury podanym w instrukcji.** Nieprawidłowe ładowanie lub ładowanie w temperaturze poza podanym zakresem może spowodować uszkodzenie akumulatora i zwiększyć ryzyko pożaru.
- 6) Serwis**
- a) **Zlecać serwisowanie elektronarzędzie wykwalifikowanemu technikowi stosującymi jedynie części zamienne identyczne z oryginalnymi.** Zapewni to zachowanie bezpieczeństwa elektronarzędzia.
 - b) **Nigdy nie serwisować uszkodzonych akumulatorów.** Serwisowanie akumulatorów może przeprowadzać wyłącznie producent lub autoryzowany serwis.

DODATKOWE OSTRZEŻENIA DOTYCZĄCE BEZPIECZEŃSTWA DLA BRUZDOWNICY

- **Ostrzeżenie przed promieniowaniem laserowym.** Laser klasy 2, P maks.: <1 mW, λ: 650 nm, EN 60825-1:2014. Nie patrzeć bezpośrednio w wiązkę lasera ani w otwór, przez który jest emitowana. Nigdy nie kierować lasera na ludzi, zwierzęta lub powierzchnie odbijające światło. Nawet krótka styczność z okiem może powodować uszkodzenie wzroku. Badanie otworu, przez który emitowana jest wiązka z użyciem przyrządów optycznych (np. szkła powiększającego itp.) niesie ryzyko uszkodzenia wzroku. Podczas pracy laserem klasy 2

przestrzegać przepisów krajowych dotyczących korzystania z ochrony wzroku.

- Nie pracować z materiałami zawierającymi azbest. Azbest jest uznawany za substancję rakotwórczą.
- Korzystać z okularów ochronnych, ochronników słuchu i, w razie potrzeby, innych środków ochrony, jak rękawice ochronne, buty ochronne itp.
- Przed rozpoczęciem pracy usunąć wszystkie gwoździe i inne metalowe przedmioty ze ściany.
- Uważać na ukryte rury i okablowanie podczas wycinania bruzd w ścianach.
- Zawsze trzymać narzędzie obiema rękami.
- Nie używać narzędzia bez osłony.
- Sprawdzić tarcze tnące przed każdym użyciem. Nie używać zgiętych, pękniętych lub inaczej uszkodzonych tarcz tnących.
- Zapewnić poprawne zamontowanie tarcz tnących.
- Dopilnować, aby tarcze tnące obracały się w prawidłowym kierunku.
- Nie używać narzędzia z tarczami tnącymi skierowanymi do góry lub na bok.
- Używać wyłącznie tarcz tnących nadających się do użytku w połączeniu z narzędziem.
- Używać wyłącznie tarcz tnących o właściwych wymiarach.
- Nie używać akcesoriów innych niż tarcze tnące.
- Nie używać narzędzia, jeśli maksymalna wymagana głębokość bruzdy przekracza maksymalną głębokość wycinania bruzdy tarczy tnącej.
- Dopilnować, aby nie dotykać części obracających się rękami.
- Zawsze pracować we właściwym kierunku (patrz oznaczenie na podstawie).
- Pozwolić maszynie pracować bez obciążenia w bezpiecznym miejscu po zamontowaniu tarcz tnących. Jeśli maszyna silnie drga, wyłączyć ją niezwłocznie, odłączyć wtyczkę zasilania z gniazda sieciowego i podjąć próbę usunięcia problemu.
- Pamiętać, że tarcze tnące obracają się jeszcze przez chwilę po wyłączeniu maszyny. Nie próbować własnoręcznie zatrzymać tarcz tnących.
- Nigdy nie odkładać narzędzia na stół albo blat roboczy przed jego wyłączeniem.

Odrzut

Odrzut do skierowany do góry i wstecz ruch tarcz tnących w momencie nagłego dotknięcia przedmiotu przez tarcze. Podczas użytkowania trzymać mocno narzędzie obiema rękami. Podczas używania urządzenia należy skupić się na pracy.

Odrzut jest zwykle powodowany przez:

- przypadkowe dotknięcie twardych materiałów lub przedmiotów obracającymi się tarczami tnącymi;
- tępe tarcze tnące;
- nieprawidłowo zamontowane tarcze tnące;
- cięcie w uprzednio wykonanej bruzdzie;
- brak uwagi podczas pracy;
- niestabilna postawa.

Bezpieczeństwo elektryczne



Zawsze sprawdzać, czy napięcie zasilania jest zgodne z napięciem podanym na tabliczce znamionowej.

- Nie używać urządzenia, jeśli jego kabel zasilający jest uszkodzony lub wtyczka kabla zasilającego jest uszkodzona.
- Używać wyłącznie przedłużaczy przystosowanych do pracy z parametrami zasilania urządzenia o minimalnej grubości 1,5 mm². W przypadku korzystania z przedłużacza w zwoju, zawsze całkowicie rozwinać zwój.

2. INFORMACJE O MASZYNIE

Przeznaczenie

Bruzdownica jest przeznaczona do wykonywania bruzd w murach. Narzędzie jest przeznaczone wyłącznie do użytku praworęcznego.

DANE TECHNICZNE

Nr modelu	WC502AC / S_WC502AC / S2_WC502AC
Napięcie sieciowe	230V~
Częstotliwość sieciowa	50Hz
Pobór mocy	1700W
Obroty bez obciążenia	4000 min ⁻¹
Szerokość bruzdy	14/19/29 mm
Głębokość bruzdy	5-40mm
Tarcza tnąca	
Średnica	150 mm
Otwór środkowy	22,2 mm
Gwint wrzeciona	M12
Stopień ochrony	IP20
Ciezar	5.1kg
Poziom ciśnienia akustycznego L _{PA}	85.3 dB(A), K=3 dB(A)

Poziom mocy akustycznej L_{WA}	96.3 dB(A), K=3 dB(A)
Niepewność (K)	3 dB(A)
Drgania (główny uchwyt)	7.214 m/s ² K= 1.5 m/s ²
Drgania (uchwyt pomocniczy)	5.843 m/s ² K= 1.5 m/s ²
Niepewność (K)	1.5 m/s ²



Stosować osłonę dla uszu.

Poziom drgań

Poziom emisji drgań podany w tej instrukcji obsługi został zmierzony zgodnie ze standaryzowanym testem podanym w normie EN 60745; może on służyć do porównywania narzędzi ze sobą oraz do wstępnego oszacowania ekspozycji na drgania podczas użytkowania narzędzia do podanych zastosowań

- używanie narzędzia do innych zastosowań lub z innymi lub źle konserwowanymi akcesoriami może znacząco zwiększać poziom ekspozycji
- okresy, gdy narzędzie jest wyłączone lub okresy, gdy jest włączone, ale nie pracuje, mogą znacząco zmniejszać poziom ekspozycji

Chronić się przed wpływem drgań, konserwując odpowiednio narzędzie i akcesoria, utrzymując ciepłotę dłoni oraz odpowiednio organizując pracę.

OPIS

Liczy w tekście odnoszą się do rysunków na Stronach 2-5.

1. Włacznik
2. Przycisk wyłączania blokady
3. Pokrętko blokujące dla głębokości bruzdy
4. Skala głębokości bruzdy
5. Przycisk blokady wrzeciona
6. Osłona
7. Podstawa
8. Wałek prowadniczy
9. Podłączenie odbiornika pyłu
10. Główny uchwyt
11. Uchwyt pomocniczy
12. Śruby typu „Allen“
13. Klucz typu „Allen“
14. Wrzeciono
15. Zewnętrzna podkładka kołnierзова
16. Klucz do podkładki kołnierkowej
17. Tarcza tnąca
18. Przekładki
19. Tarcza tnąca

20. Tuleja wrzeciona
21. Wewnętrzna podkładka kołnierзова
22. Złącze odsysania pyłu
23. Laser
24. Przełącznik wł./wył. Lasera
25. Pojemnik na baterię

3. MONTAŻ



Przed rozpoczęciem montażu zawsze wyłączać maszynę i wyjmować wtyczkę zasilania sieciowego z gniazdka.

Wymiana tarcz tnących (rys. B - D)

Zużyte lub uszkodzone tarcze tnące należy natychmiast wymienić.



- Używać wyłącznie ostrych i nieuszkodzonych tarcz tnących.
- Używać wyłącznie tarcz tnących nadających się do pracy z obrabianym materiałem.
- Używać wyłącznie tarcz tnących o maksymalnej dopuszczalnej prędkości równej lub wyższej od maksymalnej prędkości obrotowej narzędzia bez obciążenia.
- Używać wyłącznie diamentowych tarcz tnących przeznaczonych do cięcia na sucho.
- Zawsze jednocześnie wymieniać obie tarcze tnące.
- Nigdy nie podejmować prób demontażu osłony.

- Kłaść narzędzie na stabilnej powierzchni.
- Poluzować śruby imbusowe (12) kluczem imbusowym (13).
- Poluzować pokrętko blokujące (3) i opuścić podstawę (7).
- Zdjąć osłonę (6).
- Trzymać przycisk blokady wrzeciona (5) wciśnięty, aby zablokować wrzeciono (14).
- Poluzować zewnętrzną podkładkę kołnierзова (15) kluczem do podkładki (16). Aby odkręcić, obracać zgodnie ze wskazówkami zegara. Aby dokręcić, obracać przeciwnie do wskazówek zegara.
- Zdemonstrować starą tarczę tnącą (17), przekładki (18), starą tarczę tnącą (19), tuleję wrzeciona (20) oraz wewnętrzną podkładkę kołnierзова (21).
- W razie potrzeby oczyścić kołnierze (15 i 21).
- Zamontować wewnętrzną podkładkę kołnierзова

- (21), tuleję wrzeciona (20), nową tarczę tnącą (19), przekładki (18) i nową tarczę tnącą (17).
- Mocno dokręcić zewnętrzną podkładkę kołnier-zową (15) kluczem do podkładki (16).
- Zwolnić przycisk blokady wrzeciona (5).
- Zamontować osłonę (6).
- Unieść podstawę (7) i dokręcić pokrętko zabezpieczające (3).
- Mocno dokręcić śruby imbusowe (12) kluczem imbusowym (13).

4. OBSŁUGA

Regulacja szerokości bruzdy (rys. B - E)

Szerokość bruzdy można ustawić przekładkami umieszczonymi między tarczami tnącymi. Liczba przekładek między tarczami tnącymi określa szerokość bruzdy.



- Nie ustawiać szerokości bruzdy podczas użytku.
- Zawsze montować co najmniej jedną przekładkę między tarczami tnącymi.

- Określić szerokość bruzdy.
- Zamontować przekładki (18) wokół tarcz tnących (17 i 19) w wymaganej kolejności. Patrz rozdział „Wymiana tarcz tnących”.

Regulacja głębokości bruzdy (rys. A i F)

Zakres regulacji głębokości bruzdy wynosi od 5 do 40 mm. Głębokość bruzdy można odczytać na podziałce (4).



Nie ustawiać głębokości bruzdy podczas użytku.

- Poluzować pokrętko zabezpieczające (3).
- Przechylić podstawę (7) w żądane położenie. Ustawić głębokość bruzdy około 3 mm większą od żądanej głębokości, aby skompensować ewentualne nierówności powierzchni ściany.
- Dokręcić pokrętko zabezpieczające (3).

Włączanie i wyłączanie (rys. A)

- Aby włączyć urządzenie, należy wcisnąć przycisk blokady (2) i jednocześnie nacisnąć przełącznik wł./wył. (1).
- Aby wyłączyć urządzenie, zwolnić przełącznik wł./wył. (1).

Korzystanie z lasera (rys. A)

- Aby włączyć laser (23), należy nacisnąć przełącznik wł./wył. (24).
- Aby wyłączyć laser (23), należy zwolnić przełącznik wł./wył. (24).

Ochrona przed przeciążeniem

Narzędzie jest wyposażone w ochronę przed przeciążeniem, która automatycznie je wyłącza w razie przeciążenia narzędzia.

- Wyłączyć narzędzie.
- Zdjąć narzędzie z obrabianego elementu.
- Włączyć narzędzie.
- Uruchomić narzędzie bez obciążenia na około 1 minutę, aby pozwolić mu ostygnąć.

Odsysanie pyłu (rys. G)

Używać narzędzia wyłącznie wtedy, gdy jest podłączone do odsysacza przeznaczonego do usuwania pyłu kamiennego. Odsysacz pyłu musi być przeznaczony do pracy z obrabianym materiałem. Używać specjalnego odsysacza podczas pracy z materiałami toksycznymi lub wtedy, gdy podczas pracy powstaje toksyczny pył.



- *Nigdy nie używać domowego odkurzacza. Korzystanie z domowego odkurzacza może łatwo prowadzić do uszkodzenia odkurzacza oraz uszczerbku na zdrowiu.*
- *Zawsze używać adaptera do odsysania pyłu.*
- *Dopilnować, aby wąż odkurzacza był solidnie przymocowany do adaptera do odsysania pyłu.*
- *Jeśli odsysacz się zepsuje, niezwłocznie przerwać pracę, wyłączyć narzędzie, odłączyć wtyczkę zasilania z gniazodka sieciowego i podjąć próbę usunięcia problemu.*

- Włożyć adapter odsysania pyłu (22) w złącze odsysania pyłu (9).
- Podłączyć wąż odsysacza do adaptera do odsysania pyłu (22).

Porady dotyczące optymalnego użytkownika

- Narysować linie, aby określić kierunek prowadzenia tarczy tnących.
- Trzymać maszynę obiema rękami. Trzymać drugą dłoń na uchwycie pomocniczym (11).
- Ustawić szerokość bruzdy.
- Wykonać jedną z poniższych czynności:

- Przybliżyć narzędzie do ściany i ustawić głębokość bruzdy (zalecane). Przyłożenie narzędzia do ściany i opuszczenie tarcz tnących na ścianę pozwala dokładnej ustawić głębokość bruzdy.
- Ustawić głębokość bruzdy i opuścić narzędzie do ściany.
- Przyłożyć narzędzie z wałkiem prowadzącym (8) do ściany. Dopilnować, aby tarcze tnące były ustawione na liniach narysowanych na ścianie.
- Ustawić głębokość bruzdy.
- Włączyć narzędzie.
- Poczekać, aż maszyna osiągnie maksymalne obroty.
- Powoli przesuwając narzędzie wzdłuż narysowanych wcześniej linii, mocno dociskając wałek prowadzący (8) do ściany (rys. H).
- Nie naciskać narzędzia za mocno. Pozwoli mu wykonać swoją pracę.
- Wyłączyć narzędzie i poczekać, aż całkowicie się zatrzyma przed jego odłożeniem.

5. KONSERWACJA



Zawsze odłączać narzędzie od zasilania sieciowego przed rozpoczęciem przeprowadzania jakichkolwiek prac konserwacyjnych.

Czyścić obudowę maszyny regularnie miękką ściereczką, najlepiej po każdym użyciu. Dopilnować, aby otwory wentylacyjne były wolne od pyłu, kurzu i zabrudzeń. Usuwać odporne zabrudzenia miękką ściereczką zwilżoną mydlinami. Nie używać żadnych rozpuszczalników, takich jak benzyna, alkohol, amoniak itp. Takie substancje chemiczne spowodują uszkodzenie części z tworzywa sztucznego.

Wymiana baterii (rys. I)

Do obsługi lasera używane są 2 baterie AAA. Jeśli laser przestanie działać, należy wymienić baterie.

- Zdjąć osłonę (26) z pojemnika na baterie (25).
- Wyjąć stare baterie (27).
- Włożyć nowe baterie (27).
- Założyć osłonę (27) na pojemnika na baterie (25).

ŚRODOWISKO



Uszkodzone i/lub niepotrzebne urządzenia elektryczne lub elektroniczne podlegają zbiórce w odpowiednich punktach recyklingu.

Tylko kraje WE

Nie wyrzucać elektronarzędzi wraz z odpadami z gospodarstw domowych. Zgodnie z dyrektywą 2012/19/EU dotyczącą zużytych urządzeń elektrycznych i elektronicznych oraz jej wdrożeniem do prawodawstwa krajowego, elektronarzędzia, które już nie nadają się do użytku, podlegają oddzielnej zbiórce oraz utylizacji w sposób przyjazny dla środowiska. Produkt i instrukcja obsługi podlegają zmianom. Dane techniczne podlegają zmianom bez uprzedzenia.

GWARANCJA

Produkty VONROC są wytwarzane zgodnie z najwyższymi standardami jakości i producent udziela gwarancji na wady materiałowe i wady wykonania na okres wymagany prawem, licząc od dnia zakupu. Jeśli wystąpi usterka produktu w tym okresie spowodowana wadą materiałową i/lub wadą wykonania, proszę bezpośrednio skontaktować się ze sprzedawcą VONROC.

Następujące okoliczności powodują unieważnienie gwarancji:

- Przeprowadzono naprawy lub modyfikacje narzędzia w serwisie innym lub autoryzowany lub podjęto ich próbe;
- Normalne zużycie nie jest objęte gwarancją;
- Narzędzie było używane niezgodnie z przeznaczeniem, źle z nim się obchodzono lub było nieprawidłowo konserwowane;
- Użyto części zamiennych innych niż oryginalne.

Niniejsza gwarancja to wyłączna gwarancja producenta i nie obowiązują żadne inne wyrażone ani dorozumiane gwarancje. Nie obowiązują żadne inne wyrażone ani dorozumiane gwarancje o zakresie przekraczającym niniejszą gwarancję, co obejmuje dorozumiane gwarancje przydatności do sprzedaży i przydatności do określonego celu. W żadnym przypadku firma VONROC nie ponosi odpowiedzialności za straty przypadkowe lub wynikowe. Zadośćuczynienie sprzedawcy jest ograniczone do naprawy lub wymiany niezgodnych urządzeń lub części.

Produkt i instrukcja obsługi podlegają zmianom. Dane techniczne podlegają zmianom bez uprzedzenia.

1. INSTRUCȚIUNI DE SIGURANȚĂ

Citiți avertizările de siguranță, avertizările de siguranță suplimentare și instrucțiunile. Nerespectarea avertizărilor de siguranță poate cauza producerea de electrocutări, incendii și/sau răniri grave. Păstrați avertizările de siguranță și instrucțiunile pentru referințe viitoare.

În manualul de utilizare sau pe produs se utilizează următoarele simboluri:



Citiți manualul de utilizare.



Pericol de rănire corporală.



Pericol de electrocutare.



Îndepărtați imediat fișa de la priza de rețea în cazul în care cablul de alimentare se deteriorează în timpul procedurilor de curățare și de întreținere.



*Purtați ochelari de protecție.
Purtați protecții antifonice.*



Purtați o mască antipraf.



Pericol de obiecte zburătoare. Nu permiteți accesul altor persoane în zona de lucru.



Mașină din clasa II - Izolație dublă - Nu este necesară o priză cu împământare.



Pericol de radiații laser.



Nu scoateți din uz produsul în containere neadevrate.



Produsul este în conformitate cu standardele de siguranță aplicabile din directivele europene.

AVERTISMENTE GENERALE DE SIGURANȚĂ PRIVIND UNELTELE ELECTRICE



AVERTISMENT! Citiți toate avertismentele de siguranță și toate instrucțiunile.
Nerespectarea avertismentelor și instrucțiunilor poate cauza producerea de electrocutări, incendii și/sau răniri grave.

Păstrați toate avertismentele și instrucțiunile pentru consultare ulterioară. Termenul „unealtă electrică” din avertismente se referă la scula electrică (cu fir) sau la unealta electrică cu baterie (fără fir).

1) Siguranța zonei de lucru

- Păstrați zona de lucru curată și bine iluminată.** Zonele dezordonate sau întunecate duc la accidente.
- Nu operați uneltele electrice în atmosfere explozive, cum ar fi în prezența lichidelor, gazelor sau pulberilor explozive.** Uneltele electrice generează scântei care pot aprinde pulberea sau fumul inflamabile.
- Țineți la distanță copiii și persoanele din jur în timp ce operați o unealtă electrică.** Distragerile vă pot cauza pierderea controlului.

2) Siguranța electrică

- Ștecherile uneltelor electrice trebuie să se potrivească cu priza. Nu modificați niciodată în nici un fel mufele. Nu folosiți adaptoare de priză cu scule electrice legate de pământ (împământate).** Mufele nemodificate și prizele adecvate reduc riscul șocului electric.
- Evitați contactul corpului cu suprafețele împământate precum țevi, radiatoare, cuptoare și frigidere.** Există un risc mai mare de electrocutare dacă vă este corpul împământat.
- Nu expuneți uneltele electrice la ploaie sau condiții de umezeală.** Apa care pătrunde într-o unealtă electrică va spori riscul de electrocutare.
- Nu manipulați necorespunzător cablul. Nu folosiți niciodată cordonul pentru a purta, a trage sau a deconecta unealta. Feriți cordonul de căldură, ulei, margini ascuțite sau piese mobile.** Cordoane distruse sau încurcate cresc riscul de electrocutare.
- Atunci când operați o unealtă electrică în aer liber, utilizați un cablu prelungitor pentru exterior.** Folosirea unui cordon potrivit pentru utilizarea în exterior reduce riscul de șoc electric.
- În cazul în care operarea unei unelte electrice într-un spațiu cu umiditate nu poate fi evitată, utilizați o alimentare cu protecție pentru dispozitivele de curent rezidual (RCD).** Utilizarea unui RCD reduce riscul de electrocutare.

3) Siguranța personală

- a) **Fiți precauți, fiți atenți la ceea ce faceți și respectați regulile de bun simț atunci când operați o unealtă electrică. Nu utilizați o unealtă electrică atunci când sunteți obosit sau sub influența medicamentelor, alcoolului sau medicației.** Un moment de neatenție în timpul operării uneltelor electrice poate conduce la vătămări corporale grave.
- b) **Utilizați echipamentul de protecție corporală. Purtați întotdeauna protecție pentru ochi.** Echipamentul de protecție precum masca de praf, pantofii de protecție antiderapanți, cască de protecție sau protecția auzului utilizate în condiții adecvate vor reduce rănille personale.
- c) **Preîntâmpinați pornirea accidentală. Asigurați-vă că comutatorul este în poziția-oprit înainte de a vă conecta la sursa de alimentare și / sau la baterie, de a ridica sau purta instrumentul.** Purtarea de unelte electrice ținând degetul pe comutator sau alimentarea uneltelor electrice care au comutatorul pornit duce la accidente.
- d) **Îndepărtați orice cheie sau clește de reglare înainte de a porni unealta electrică.** O cheie sau un clește rămas atașat la o componentă rotativă a unelei electrice poate conduce la vătămări corporale.
- e) **Nu vă întindeți pentru a utiliza unealta de lucru. Mențineți-vă întotdeauna stabilitatea și echilibrul.** Acest lucru permite un control mai bun al unelei electrice în situații neașteptate.
- f) **Îmbrăcați-vă corespunzător. Nu purtați haine largi sau bijuterii. Țineți-vă părul, îmbrăcăminte și mânușile departe de piesele mobile.** Hainele largi, bijuteriile sau părul lung pot fi prinse în părțile mobile.
- g) **În cazul în care dispozitivele prezintă posibilitatea conectării de accesorii pentru aspirația și colectarea prafului, asigurați-vă că aceste accesorii sunt conectate și utilizate în mod corespunzător.** Utilizarea colectării prafului poate reduce pericolele legate de praf.
- h) **Nu lăsați ca obișnuință obținută prin utilizarea frecventă a uneltelor să vă permită să deveniți impasibil și să ignorați principiile de siguranță în utilizarea uneltelor.** O acțiune neglijentă poate provoca accidente grave într-o fracțiune de secundă.

4) Utilizarea și îngrijirea uneltelor electrice

- a) **Nu forțați unealta electrică. Utilizați unealta electrică adecvată aplicației dvs.** Unealta electrică corectă va face munca mai bine și mai sigur la rata pentru care a fost proiectată.
 - b) **Nu utilizați unealta electrică în cazul în care întrerupătorul nu comută în poziția pornit și oprit.** Orice unealtă electrică care nu poate fi controlată cu comutatorul este periculoasă și trebuie reparată.
 - c) **Deconectați ștecherul de la sursa de alimentare și/sau acumulatorul de la unealta electrică înaintea efectuării oricăror reglaje, modificării accesoriilor sau depozitării uneltelor electrice.** Aceste măsuri preventive de precauție reduc riscul de pornire accidentală.
 - d) **Nu depozitați uneltele electrice în stare inactivă la îndemâna copiilor și nu permiteți persoanelor nefamiliarizate cu unealta de lucru sau cu aceste instrucțiuni să o utilizeze.** Uneltele electrice sunt periculoase în mâinile utilizatorilor neinstruiți.
 - e) **Efectuați întreținerea uneltelor electrice. Verificați dacă piesele mobile sunt nealiniate sau înțepenite, dacă există piese sparte și în orice altă stare care poate să afecteze operarea unelei electrice. În cazul deteriorării, reparați unealta electrică înainte de uz.** Multe accidente sunt cauzate de unelte electrice slab întreținute.
 - f) **Păstrați uneltele de tăiat ascuțite și curate.** Uneltele de tăiat corect întreținute cu muchii ascuțite au mai puține șanse să se lege și sunt mai ușor de controlat.
 - g) **Utilizați unealta electrică, accesoriile și cuțitele uneltei etc. conform acestor instrucțiuni, ținând cont de condițiile de lucru și de lucrarea ce trebuie să fie efectuată.** Utilizarea unelei electrice pentru operații diferite de cele pentru care a fost proiectată poate avea ca va rezultat o situație periculoasă.
 - h) **Țineți mânerul și suprafețele de prindere uscate, curate și lipsite de ulei și unsoare.** Mânere și suprafețele de prindere alunecoase nu permit manipularea și controlul unelei în de siguranță în situații neașteptate.
- 5) Utilizarea și îngrijirea bateriei uneltei**
- a) **Reîncărcați folosind exclusiv încărcătorul specificat de către producător.** Un încărcător adecvat pentru un anumit tip de acumulator

poate genera risc de incendiu atunci când este utilizat cu un alt tip de acumulator.

- b) **Utilizați uneltele electrice exclusiv împreună cu acumulatorii specificați.** Utilizarea oricăror alți acumulatori poate genera riscuri de vătămare și incendiu.
 - c) **Atunci când nu folosiți acumulatorul, păstrați-l ferit de alte obiecte metalice, precum agrafe de birou, monede, chei, cuie, șuruburi sau alte obiecte metalice mici care pot realiza conexiunea între cele două borne.** Scurtcircuitarea bornelor acumulatorului poate determina arsuri sau incendii.
 - d) **În condiții de utilizare incorectă, este posibil să fie evacuat lichid din baterie; evitați contactul cu acesta. În cazul în care se produce accidental contactul, clătiți cu apă. Dacă lichidul intră în contact cu ochii, solicitați ajutor medical suplimentar.** Lichidul scurs din acumulator poate cauza iritații sau arsuri.
 - e) **Nu folosiți un acumulator sau o unealtă care este deteriorată sau modificată.** Acumulatorii deteriorați sau modificați pot avea un comportament imprevizibil care rezultă în foc, explozie sau risc de rănire.
 - f) **Nu expuneți acumulatorul sau unealta la foc sau temperatură excesivă.** Expunerea la foc sau temperaturi de peste 130 °C poate provoca explozie. OBSERVAȚIE Temperatura „130 °C” poate fi înlocuită cu temperatura „265 °F”.
 - g) **Respectați toate instrucțiunile de încărcare și nu încărcați acumulatorul sau unealta în afara intervalului de temperatură specificat în instrucțiuni.** Încărcarea necorespunzătoare sau la temperaturi în afara domeniului specificat poate deteriora acumulatorul și poate crește riscul de incendiu.
- 6) Service**
- a) **Prevedeți repararea uneltei electrice de către o persoană calificată, folosind exclusiv piese de schimb identice.** Acest lucru va garanta păstrarea în siguranță a uneltei electrice.
 - b) **Niciodată nu serviți acumulatorii deteriorați.** Servisarea acumulatorilor ar trebui să fie efectuată numai de către producător sau furnizorii autorizați de service.

AVERTIZĂRI DE SIGURANȚĂ SUPLIMENTARE PENTRU DEBITORUL CANALE PEREȚI

- **Pericol de radiații laser.** Clasă laser 2, putere max.: <1 mW, λ: 650 nm, EN 60825-1:2014. Nu priviți direct în fasciculul laser sau în deschiderea din care iese. Nu îndreptați niciodată fasciculul laser către oameni, animale sau suprafețe reflectorizante. Chiar și un scurt contact vizual poate duce la leziuni oculare. Examinarea diafragmei de ieșire a laserului prin utilizarea instrumentelor optice (de ex. lupă, dispozitive de mărit și altele asemenea) implică riscul de leziuni ale ochilor. Când lucrați cu un laser de clasa 2, respectați reglementările naționale privind purtarea protecției ochilor.
- Nu folosiți materiale care conțin azbest. Azbestul este considerat cancerigen.
- Purtați ochelari de protecție, protecție auditivă și, dacă este necesar, alte mijloace de protecție, cum ar fi mănuși de protecție, pantofi de protecție etc.
- Înainte de utilizare, scoateți toate cuiele și alte obiecte metalice de pe perete.
- Fiți atenți la țevile și cablurile ascunse atunci când tăiați canalele în pereți.
- Țineți întotdeauna unealta cu ambele mâini.
- Nu utilizați niciodată mașina fără calotă apărătoare.
- Verificați discurile de debitare înainte de fiecare utilizare. Nu utilizați discuri de tăiere îndoite, crăpate sau deteriorate în alt mod.
- Asigurați-vă că discurile de tăiere sunt montate corect.
- Asigurați-vă că discurile de tăiere se rotesc în direcția corectă.
- Nu utilizați mașina cu discurile de tăiere orientate în sus sau în lateral.
- Folosiți numai discuri de tăiere care sunt adecvate pentru utilizarea cu aparatul.
- Utilizați numai discuri de tăiere cu dimensiuni corecte.
- Nu utilizați alte accesorii decât discurile de tăiere.
- Nu utilizați mașina atunci când este necesară o adâncime maximă a canalului care depășește adâncimea maximă a canalului discurilor de tăiere.
- Asigurați-vă că mâinile dvs. nu ating piesele rotative.
- Lucrați întotdeauna în direcția corectă de lucru (a se vedea indicația de pe bază).

- Lăsați mașina să funcționeze fără sarcină într-o zonă sigură după montarea discurilor de tăiere. Dacă mașina vibrează puternic, opriți imediat mașina, decuplați cablul de rețea de la sursa de alimentare și încercați să remediați problema.
- Atenție, discurile de tăiere continuă să se rotească pentru o perioadă scurtă de timp după oprirea mașinii. Nu încercați să opriți singur discurile de tăiere.
- Nu așezați mașina pe o masă sau pe o suprafață de lucru înainte de oprirea acesteia.

Recul

Recul este mișcarea în sus și în spate a discurilor de tăiere atunci când acestea ating în mod neașteptat un obiect. Țineți ferm aparatul cu ambele mâini în timpul utilizării. Păstrați-vă atenția concentrată asupra operației.

Recul este cauzat de obicei de:

- atingerea neintenționată a obiectelor sau materialelor dure cu discurile de tăiere rotative;
- discuri de tăiere neascuțite;
- discurile de tăiere care nu sunt montate corespunzător;
- tăierea într-o tăietură anterioară;
- o lipsă de atenție față de operațiune;
- o poziție instabilă.

Instrucțiuni de siguranță privind alimentarea electrică



Verificați întotdeauna ca tensiunea de la alimentarea cu energie să corespundă tensiunii de pe plăcuța cu specificații.

- Nu utilizați aparatul dacă cablul de alimentare sau ștecherul de alimentare este deteriorat.
- Folosiți numai cabluri prelungitoare adecvate pentru puterea mașinii cu o grosime minimă de 1,5 mm². Dacă utilizați o bobină de cablu de extensie, derulați întotdeauna complet cablul.

2. INFORMAȚII CU PRIVIRE LA MAȘINA

Domeniul de utilizare

Dispozitivul dvs. de canelare a pereților a fost conceput pentru a face fante în zidărie. Mașina este adecvată numai pentru utilizarea cu mâna dreaptă.

SPECIFICAȚII TEHNICE

Nr. model	WC502AC / S_WC502AC / S2_WC502AC
Tensiune rețea	230V~
Frecvența prizei	50Hz
Puterea de alimentare	1700W
Turație la mers în gol	4000 min ⁻¹
Lățimea canalului	14/19/29mm
Adâncimea canalului	5-40mm
Disc de tăiere	
Diametru:	150 mm
Alezaj:	22,2 mm
Filet arbore	M12
Clasa de protecție	IP20
Greutate	5,1 kg
Presiune sonoră L _{PA}	85,3 dB(A)
Putere acustică L _{WA}	96,3 dB(A)
Marjă (K)	3 dB(A)
Vibrații (mâner principal)	7,214m/s ²
Vibrații (mâner auxiliar)	5,843m/s ²
Marjă (K)	1,5 m/s ²



Purtați protecții antifonice.

Nivelul vibrațiilor

Nivelul emisiilor de vibrații menționat în acest manual de instrucțiuni a fost măsurat în conformitate cu un test standardizat precizat în EN60745; poate fi folosit pentru a compara o sculă cu alta și ca evaluare preliminară a expunerii la vibrații atunci când folosiți scula pentru aplicațiile menționate.

- Utilizarea sculei pentru aplicații diferite sau cu accesorii diferite și prost întreținute, poate crește semnificativ nivelul de expunere.
- Momentele în care scula este oprită sau când funcționează dar nu execută nicio lucrare, pot reduce semnificativ nivelul de expunere.

Protejați-vă împotriva efectelor vibrațiilor prin întreținerea sculei și a accesoriilor sale, păstrând mâinile calde și organizând procesele de lucru.

DESCRIERE

Numerele din text se referă la diagramele de la paginile 2 - 5.

1. Comutator pornire/oprire
2. Buton blocare
3. Buton de blocare pentru adâncimea canalului
4. Scală pentru adâncimea canalului
5. Buton de blocare ax
6. Apărătoare
7. Talpă
8. Rola de ghidare
9. Conexiune pentru extragerea prafului
10. Mâner principal
11. Mâner auxiliar
12. Șuruburi cu locaș hexagonal
13. Cheie hexagonală
14. Ax
15. Flanșă exterioară
16. Cheie flanșă
17. Disc de tăiere
18. Distanțiere
19. Disc de tăiere
20. Manșon ax
21. Flanșă interioară
22. Adaptor pentru înlăturarea prafului
23. Laser
24. Comutator pornit/oprit pentru laser
25. Compartiment baterii

3. ASAMBLAREA



Înainte de asamblare, opriți alimentarea electrică a mașinii și deconectați fișa cablului de alimentare de la priza de rețea.

Înlocuirea discurilor de tăiere (fig. B - D)

Discurile de tăiere uzate sau deteriorate trebuie înlocuite imediat.



- Utilizați numai discuri de tăiere ascuțite și nedeteriorate.
- Folosiți numai discuri de tăiere care sunt adecvate pentru materialul care urmează să fie prelucrat.
- Folosiți numai discuri de tăiere cu o turație maximă admisă care este egală sau mai mare decât turația maximă fără sarcină a mașinii.
- Utilizați numai discuri de tăiere cu diamant care sunt adecvate pentru tăierea uscată.

- Înlocuiți întotdeauna ambele discuri de tăiere în același timp.
- Nu încercați niciodată să îndepărtați apărătoarea.

- Opriți mașina pe o suprafață retras uniformă.
- Slăbiți cele șuruburi cu cap imbus (12) folosind cheia imbus (13) din dotare.
- Slăbiți butonul de blocare (3) și coborâți baza (7).
- Îndepărtați apărătoarea (6).
- Țineți apăsat butonul de blocare a axului (5) pentru a bloca axul (14).
- Slăbiți flanșa exterioară (15) cu ajutorul cheii de flanșă (16). Pentru a desface, rotiți în sens orar. Pentru a strânge, rotiți în sens antiorar.
- Îndepărtați vechiul disc de tăiere (17), distanțierele (18), vechiul disc de tăiere (19), manșonul arborelui (20) și flanșa interioară (21).
- Dacă este necesar, curățați flanșele (15 și 21).
- Montați flanșa interioară (21), manșonul de arbore (20), noul disc de tăiere (19), distanțierele (18) și noul disc de tăiere (17).
- Strângeți ferm flanșa exterioară (15) cu ajutorul cheii de flanșă (16).
- Eliberați butonul de blocare a axului (5).
- Montați calota (6).
- Ridicați baza (7) și strângeți butonul de blocare (3).
- Strângeți ferm cele șuruburi cu cap imbus (12) folosind cheia imbus (13) din dotare.

4. OPERAREA

Reglarea lățimii canalului (fig. B - E)

Lățimea canalului poate fi setată cu ajutorul distanțierelor dintre discurile de tăiere. Numărul de distanțiere dintre discurile de tăiere determină lățimea canalului.



- Nu setați lățimea canalului în timpul utilizării.
- Montați întotdeauna cel puțin un distanțier între discurile de tăiere.
- Determinați lățimea canalului.
- Montați distanțierele (18) în jurul discurilor de tăiere (17 și 19) în ordinea necesară. Consultați capitolul „Înlocuirea discurilor de tăiere”.

Reglarea adâncimii canalului (fig. A și F)

Adâncimea canalului este variabilă între 5 și 40 mm. Adâncimea canalului poate fi citită pe scala (4).



Nu setați adâncimea canalului în timpul utilizării.

- Slăbiți butonul de blocare (3).
- Înclinați placa de bază (7) în poziția dorită. Setați o adâncime a canalului cu aproximativ 3 mm mai mare decât adâncimea necesară pentru a compensa eventualele denivelări ale suprafeței peretelui.
- Strângeți butonul de blocare (3).

Pornirea și oprirea (Fig. A)

- Pentru a porni mașina, mențineți butonul de deblocare (2) apăsat și apăsați simultan comutatorul de pornire/oprire (1).
- Pentru a opri mașina, eliberați comutatorul de pornire/oprire (1).

Utilizarea laserului (fig. A)

- Pentru a porni laserul (23), apăsați comutatorul de pornire/oprire (24).
- Pentru a opri laserul (23), eliberați comutatorul de pornire/oprire (24).

Protecția la suprasarcină

Mașina este echipată cu un dispozitiv de protecție împotriva suprasarcinii care oprește automat mașina în cazul în care aceasta este suprasolicitată.

- Opriți mașina.
- Îndepărtați mașina de piesa de lucru.
- Porniți mașina.
- Porniți mașina fără sarcină timp de aproximativ 1 minut pentru a permite mașinii să se răcească.

Extragerea prafului (fig. G)

Utilizați mașina numai dacă este conectată la un dispozitiv de aspirare aprobat pentru praf de piatră. Aspiratorul trebuie să fie adecvat pentru materialul care este prelucrat. Folosiți un dispozitiv special de aspirare atunci când lucrați cu materiale toxice sau când se produce praf toxic.



- *Nu folosiți niciodată un aspirator de uz casnic. Utilizarea unui aspirator de uz casnic poate afecta cu ușurință atât sănătatea dvs, cât și aspiratorul.*

- *Utilizați întotdeauna adaptorul de aspirare a prafului.*
- *Asigurați-vă că furtunul dispozitivului de aspirare este conectat în siguranță la adaptorul de aspirare a prafului.*
- *În cazul în care dispozitivul de aspirare se defectează, opriți imediat lucrul, opriți aparatul, scoateți fișa de la rețea și încercați să rezolvați problema.*

- Introduceți adaptorul de aspirare a prafului (22) în racordul de aspirare a prafului (9).
- Conectați furtunul unui dispozitiv de aspirare la adaptorul de aspirare a prafului (22).

Sfaturi pentru utilizarea optimă

- Desenați linii pentru a defini direcția în care să ghidați discurile de tăiere.
- Țineți mașina cu ambele mâini. Țineți a doua mână pe mânerul auxiliar (11).
- Setați lățimea canalului.
- Luați una dintre următoarele măsuri:
 - Coborâți aparatul în perete și setați adâncimea canalului (recomandată). Mașina este așezată pe perete, iar discurile de tăiere sunt coborâte în perete pentru a seta cu mai multă precizie adâncimea canalului.
 - Setați adâncimea canalului și coborâți mașina în perete.
- Așezați mașina cu rola de ghidare (8) pe perete. Asigurați-vă că discurile de tăiere se aliniază cu liniile trasate pe perete.
- Setați adâncimea canalului.
- Porniți mașina.
- Așteptați până când mașina atinge turația maximă.
- Deplasați încet mașina de-a lungul liniilor prestabilite de sus în jos, apăsând ferm rola de ghidare (8) pe perete (fig.H).
- Nu aplicați o presiune excesivă asupra mașinii. Lăsați mașina să execute operația.
- Opriți mașina și așteptați oprirea completă a mașinii înainte de a așeza mașina.

5. ÎNTREȚINEREA

Deconectați întotdeauna aparatul de la alimentare înainte de a efectua întreținerea.

Curățați regulat carcasa cu o cârpă moale, de preferat după fiecare utilizare. Curățați fantele de

aerisire de praf și murdărie. Îndepărtați murdăria persistentă cu o cârpă moale înmuiată în clăbuci de săpun. Nu folosiți solvenți precum benzină, alcool, amoniac, etc. Astfel de substanțe chimice vor deteriora componentele sintetice.

Înlocuirea bateriilor (fig. I)

Laserul folosește 2 baterii AAA. Dacă laserul nu mai funcționează, bateriile trebuie înlocuite.

- Scoateți capacul (26) din compartimentul pentru baterii (25).
- Scoateți bateriile vechi (27).
- Puneți bateriile noi (27).
- Montați capacul (27) pe compartimentul pentru baterii (25).

Aceasta acoperă garanția companiei, explicită sau implicită. Nu există alte garanții explicite sau implicite care să se extindă dincolo de cele indicate aici, incluzând garanțiile, vandabilitatea sau adecvarea pentru un anumit scop. În nicio situație, VONROC nu este responsabil pentru daunele incidentale sau consecvențiale. Reparațiile efectuate de reprezentant trebuie să fie limitate la reparațiile sau la înlocuirea unităților sau a pieselor neconforme.

Produsul și manualul de utilizare pot suferi modificări. Specificațiile se pot modifica fără notificare prealabilă.

MEDIU



Aparatele electrice sau electronice deteriorate și/sau defecte trebuie colectate în locurile de reciclare corespunzătoare.

Numai pentru țările din CE

Nu aruncați echipamentele acționate electric împreună cu gunoiul menajer. Conform Indicației europene 2012/19/CE pentru echipamente electrice și electronice uzate și a implementării sale la nivel național, echipamentele acționate electric scoase din uz trebuie colectate separat și evacuate într-o manieră ecologică.

GARANȚIE

Produsele VONROC sunt realizate la cele mai înalte standarde de calitate și sunt garantate în privința materialelor și a manoperei pentru întreaga perioadă de utilizare în garanție, începând cu data achiziției. În cazul în care produsul prezintă defecțiuni în perioada de garanție din cauza materialului defect și/sau a manoperei, contactați direct VONROC.

Următoarele circumstanțe sunt excluse de la această garanție:

- Reparațiile sau modificările care realizate sau care s-au încercat a fi efectuate de centre de service neautorizate;
- Uzura în condiții normale de utilizare;
- Unealta care a fost abuzată, utilizată într-un mod neglijent sau întreținută în mod inadecvat;
- Folosirea unor piese de schimb neoriginale.

1. INSTRUÇÕES DE SEGURANÇA

Leia os avisos de segurança fornecidos, os avisos de segurança adicionais e as instruções. O não cumprimento dos avisos de segurança e das instruções pode resultar em choque eléctrico, incêndio e/ou ferimentos graves. Guarde os avisos de segurança e as instruções para referência futura.

Os seguintes símbolos são utilizados no manual do utilizador ou no produto:



Leia o manual do utilizador.



Risco de ferimentos.



Risco de choque eléctrico.



Retire de imediato a ficha da tomada eléctrica se o cabo de alimentação sofrer danos e durante a limpeza e manutenção.



*Use óculos de segurança.
Use protecção auricular.*



Use uma máscara de poeiras.



Risco de projecção de objectos. Mantenha os passantes afastados da área de trabalho.



Máquina de classe II - isolamento duplo - Não é necessária uma ficha de ligação à terra.



Aviso de radiação laser.



Não elimine o produto em recipientes não adequados.



O produto está em conformidade com as normas de segurança aplicáveis nas directivas europeias.

AVISOS GERAIS DE SEGURANÇA SOBRE A FERRAMENTA ELÉCTRICA



AVISO! Leia todos os avisos de segurança e instruções. O não cumprimento dos avisos de segurança e as instruções podem resultar em choque eléctrico, incêndio e/ou ferimentos graves.

Guarde todos os avisos e instruções para referência futura. O termo “ferramenta eléctrica” indicado nos avisos diz respeito à ferramenta eléctrica com alimentação pela rede (com fio) ou por bateria (sem fio).

1) Segurança da área de trabalho

- a) **Mantenha a área de trabalho limpa e devidamente iluminada.** As áreas obscuras ou escuras são propícias para acidentes.
- b) **Não utilize ferramentas eléctricas em atmosferas explosivas, por exemplo, na presença de líquidos inflamáveis, gases ou poeiras.** As ferramentas eléctricas produzem faíscas que podem causar ignição de poeiras ou vapores.
- c) **Quando utilizar uma ferramenta eléctrica, mantenha as crianças e transeuntes afastados.** As distrações podem causar perda de controlo.

2) Segurança eléctrica

- a) **As fichas da ferramenta eléctrica devem corresponder à tomada. Nunca modifique, de forma alguma, a ficha. Não utilize quaisquer fichas adaptadoras com ferramentas eléctricas ligadas à terra (massa).** As fichas e tomadas correspondentes não modificadas reduzem o risco de choque eléctrico.
- b) **Evite o contacto do corpo com superfícies ligadas à terra ou massa, como tubos, radiadores, fogões ou frigoríficos.** Há um maior risco de choque eléctrico se o corpo estiver ligado à terra ou à massa.
- c) **Não exponha as ferramentas eléctricas à chuva ou a ambientes húmidos.** A entrada de água numa ferramenta eléctrica aumenta o risco de choque eléctrico.
- d) **Não utilize o cabo de maneira abusiva. Nunca utilize o cabo para transportar, puxar ou desligar a ferramenta eléctrica. Mantenha o cabo afastado de fontes de calor, óleo, extremidades afiadas ou peças móveis.** Cabos danificados ou enrolados aumenta o risco de choque eléctrico.
- e) **Quando utilizar uma ferramenta eléctrica no exterior, opte por uma extensão adequada para utilização no exterior.** A utilização de um cabo adequado para utilização no exterior reduz o risco de choque eléctrico.
- f) **Se não for possível evitar trabalhar com uma ferramenta eléctrica num local húmido, utilize uma fonte de alimentação protegida por um**

dispositivo de corrente residual (DCR). A utilização de um DCR reduz o risco de choque eléctrico.

3) Segurança eléctrica

- a) **Esteja atento, preste atenção ao que está a fazer e tenha bom senso quando utilizar uma ferramenta eléctrica. Não utilize uma ferramenta eléctrica quando estiver cansado ou sob o efeito de drogas, álcool ou medicamentos.** Um momento de distração durante a utilização de ferramentas eléctricas pode resultar em ferimentos graves.
- b) **Use equipamento de protecção individual. Use sempre protecção ocular.** O equipamento de protecção, como, por exemplo, máscara de poeiras, sapatos de segurança antiderrapantes, capacete de segurança ou protecção auditiva, utilizado nas condições adequadas, reduz o risco de ferimentos.
- c) **Evite accionamentos acidentais. Assegure-se de que o gatilho está desligado antes de ligar a ferramenta à corrente eléctrica e/ou as baterias e antes de levantar ou transportar a ferramenta.** O transporte de ferramentas eléctricas com o dedo colocado no interruptor ou a ligação à corrente das ferramentas eléctricas com o interruptor ligado pode dar origem a acidentes.
- d) **Retire eventuais chaves de ajuste ou chaves de fendas antes de ligar a ferramenta eléctrica.** Uma chave de fenda ou de ajuste montada numa peça rotativa da ferramenta eléctrica pode causar ferimentos.
- e) **Não tente chegar a pontos fora do alcance. Mantenha-se sempre numa posição firme e bem equilibrada.** Desta forma, será mais fácil controlar a ferramenta eléctrica em situações inesperadas.
- f) **Use vestuário adequado. Não use roupa larga ou jóias. Mantenha o cabelo, a roupa e as jóias afastados das peças móveis.** As roupas largas, as jóias ou o cabelo comprido podem ficar presos nestas peças.
- g) **Se for prevista a montagem de dispositivos de extracção e recolha de poeiras, assegure-se de que estão ligados e que são utilizados de forma correcta.** A utilização de dispositivos de extracção de poeiras pode reduzir os riscos inerentes.
- h) **Não permita que a familiaridade obtida através**

do uso frequente de ferramentas faça com que seja complacente e ignore os princípios de segurança da ferramenta. Uma acção irreflectida pode causar ferimentos graves numa fracção de segundos.

- 4) **Utilização e cuidados a ter com a ferramenta com baterias**
 - a) **Não sobrecarregue a ferramenta eléctrica. Utilize a ferramenta eléctrica correcta para o seu trabalho.** A ferramenta eléctrica adequada efectua o trabalho de maneira mais eficiente e segura se for utilizada de acordo com a capacidade para a qual foi concebida.
 - b) **Não utilize a ferramenta eléctrica se não conseguir ligar ou desligar o gatilho.** Qualquer ferramenta eléctrica que não possa ser controlada através do gatilho é perigosa e tem de ser reparada.
 - c) **Retire a ficha da fonte de alimentação e/ou a bateria da ferramenta eléctrica, caso seja possível fazê-lo, antes de efectuar quaisquer ajustes, substituir acessórios ou guardar ferramentas eléctricas.** Estas medidas de segurança preventivas reduzem o risco de ligar a ferramenta eléctrica acidentalmente.
 - d) **Mantenha as ferramentas eléctricas que não estiverem a ser utilizadas fora do alcance das crianças. Não permita que a ferramenta eléctrica seja utilizada por pessoas não familiarizadas com a mesma ou que não tenham lido estas instruções.** As ferramentas eléctricas são perigosas nas mãos de pessoas que não possuam as qualificações necessárias para manuseá-las.
 - e) **Faça a manutenção das ferramentas eléctricas. Verifique se as peças móveis da ferramenta eléctrica estão alinhadas e não bloqueiam, bem como se existem peças partidas ou danificadas ou quaisquer outras condições que possam afectar o funcionamento da mesma. Se a ferramenta eléctrica estiver danificada, esta não deve ser utilizada até que seja reparada.** Muitos acidentes têm como principal causa ferramentas eléctricas com uma manutenção insuficiente.
 - f) **Mantenha as ferramentas de corte afiadas e limpas.** As ferramentas de corte sujeitas a uma manutenção adequada, com arestas de corte afiadas, bloqueiam com menos frequência e controlam-se com maior facilidade.

- g) **Utilize a ferramenta eléctrica, os acessórios e as peças de ferramenta, etc., de acordo com estas instruções, considerando as condições de trabalho e a tarefa a ser executada.** A utilização da ferramenta eléctrica para fins diferentes dos previstos pode resultar em situações perigosas.
- h) **Mantenha as pegas e as superfícies de fixação secas, limpas e sem óleo e gordura.** As pegas escorregadias e as superfícies de fixação não permitem o manuseamento seguro e o controlo da ferramenta em situações imprevistas.
- 5) Utilização e cuidados a ter com a ferramenta com baterias**
- a) **Recarregue apenas com o carregador especificado pelo fabricante.** Um carregador adequado para um tipo de bateria pode causar um incêndio se for utilizado com outra bateria.
- b) **Utilize apenas ferramentas eléctricas que tenham pilhas especificamente concebidas.** A utilização de outro tipo de baterias pode causar ferimentos e incêndio.
- c) **Quando não utilizar a bateria, mantenha-a afastada de outros objectos metálicos, tais como cliques para papel, moedas, chaves, pregos, parafusos ou outros pequenos objectos metálicos que permitam fazer a ligação entre terminais.** O curto-circuito dos terminais da bateria pode causar queimaduras ou um incêndio.
- d) **Em condições abusivas, pode derramar líquido da pilha, devendo evitar o contacto. Se tocar acidentalmente no líquido, lave bem com água. Se o líquido entrar em contacto com os olhos, consulte um médico.** O líquido derramado da bateria pode causar irritação ou queimaduras.
- e) **Não utilize baterias ou ferramentas danificadas ou modificadas.** As baterias danificadas ou modificadas podem ter um comportamento inesperado, resultando em incêndio, explosão ou risco de ferimentos.
- f) **Não exponha a bateria ou as ferramenta ao fogo ou a temperaturas excessivas.** A exposição a fogo ou a temperaturas superiores a 130 °C podem causar uma explosão. NOTA: a temperatura "130 °C" pode ser substituída pela temperatura "265 °F".
- g) **Siga todas as instruções de carregamento e não carregue a bateria ou ferramenta fora do intervalo de temperaturas especificado nas**

instruções. O carregamento inadequado ou de acordo com temperaturas fora do intervalo especificado pode danificar a bateria e aumentar o risco de incêndio.

6) Assistência

- a) **A sua ferramenta eléctrica deve ser reparada apenas por pessoal qualificado e só devem ser utilizadas peças sobresselentes idênticas.** Desta forma, é garantida a segurança da ferramenta eléctrica.
- b) **Nunca repare baterias danificadas.** A reparação de baterias deve ser efectuada apenas pelo fabricante ou fornecedores de assistência autorizados.

AVISOS DE SEGURANÇA ADICIONAIS PARA A MÁQUINA DE ABRIR ROÇOS

- **Aviso de radiação laser.** Classe de laser 2, P máx.: <1 mW, λ: 650 nm, EN 60825-1:2014. Não olhe directamente para o feixe do laser ou para a abertura através da qual emerge. Nunca aponte o feixe do laser para as pessoas, animais ou superfícies reflectoras. Até o contacto ocular breve pode causar danos oculares. A observação da abertura da saída do laser com instrumentos ópticos (por exemplo, uma lupa, ampliadores e objectos semelhantes) implica o risco de danos oculares. Quando trabalhar com um laser de classe 2, respeite os regulamentos nacionais ou use protecção ocular.
- Não utilize materiais que contenham amianto. O amianto é considerado cancerígeno.
- Use óculos de segurança, protecção auricular e, se necessário, outros meios de protecção, como luvas de protecção, sapatos de segurança, etc.
- Antes de utilizar, retire todos os pregos e outros objectos metálicos da parede.
- Tenha cuidado com cablagem e tubos escondidos quando talhar fendas em paredes.
- Segure sempre a máquina com as mãos.
- Não utilize a máquina sem a protecção.
- Inspeccione os discos de corte antes de cada utilização. Não utilize discos de corte que estejam dobrados, rachados ou danificados.
- Verifique se os discos de corte estão montados correctamente.
- Verifique se os discos de corte rodam na direcção correcta.
- Não utilize a máquina com os disco de corte

- virados para cima ou para o lado.
- Utilize apenas discos de corte adequados para utilização com a máquina.
- Utilize apenas discos de corte com as dimensões correctas.
- Não utilize acessórios que não sejam os discos de corte.
- Não utilize a máquina se for necessária uma ranhura cuja profundidade máxima exceda a profundidade máxima de ranhura da lâmina da serra.
- Não toque com as mãos nas peças rotativas.
- Trabalhe sempre na direcção de trabalho correcta (verifique a indicação na base).
- Deixe a máquina a funcionar sem carga numa área segura depois de montar os discos de corte. Se a máquina começar a vibrar com intensidade, desligue a máquina de imediato, retire a ficha da tomada de corrente para resolver o problema.
- Tenha em atenção que os discos de corte continuam a rodar durante um breve período depois de desligar a máquina. Não tente parar os discos de corte com a mão.
- Nunca coloque a máquina virada para baixo numa mesa ou uma bancada antes de desligá-la.

Recuo

O recuo é um movimento para cima e para trás dos discos de corte quando estes tocam num objecto de maneira inesperada. Durante a utilização, segure a máquina firmemente com ambas as mãos. Deve estar concentrado durante o funcionamento.

O recuo normalmente é causado por:

- contacto involuntário dos discos de corte com objectos ou materiais duros;
- discos de corte gastos;
- discos de corte que não estão montados correctamente;
- corte num corte anterior;
- falta de atenção durante a operação;
- uma posição instável.

Segurança eléctrica



Verifique sempre se a tensão da fonte de alimentação corresponde à tensão na placa sinalética.

- Não utilize a máquina se o cabo de alimentação ou

se a tomada da rede estiver danificada.

- Utilize apenas extensões que sejam adequadas para a potência nominal da máquina com uma espessura mínima de 1,5 mm². Se utilizar um enrolador de extensão, desenrole sempre o cabo por completo.

2. INFORMAÇÕES SOBRE A MÁQUINA

Utilização pretendida

A máquina de abrir roços foi concebida para abrir roços em alvenaria. A máquina é adequada apenas para utilização com a mão direita.

ESPECIFICAÇÕES TÉCNICAS

Modelo n.º	WC502AC/S_WC502AC/ S2_WC502AC
Tensão do sector	230 V ~
Frequência da rede	50 Hz
Alimentação	1700 W
Velocidade sem carga	4000 min ⁻¹
Largura da ranhura	14/19/29 mm
Profundidade da ranhura	5 - 40 mm
Disco de corte	
Diâmetro:	150 mm
Furo:	22,2 mm
Eixo com rosca	M12
Classe de protecção	IP20
Peso	5,1 kg
Pressão sonora L _{PA}	85,3 dB (A)
Potência sonora L _{WA}	96,3 dB (A)
Variabilidade (K)	3 dB (A)
Vibração (punho principal)	7,214 m/s ²
Vibração (punho auxiliar)	5,843 m/s ²
Variabilidade (K)	1,5 m/s ²



Use protecção auricular.

Nível de vibração

O nível de emissão de vibrações indicado neste manual de instruções foi medido em conformidade com um teste padrão especificado pela norma EN60745. Pode ser utilizado para comparar ferramentas e como avaliação preliminar da exposição a vibrações quando utilizar a ferramenta para as

aplicações indicadas.

- A utilização da ferramenta para aplicações diferentes, ou com acessórios diferentes ou com uma manutenção deficiente, pode aumentar consideravelmente o nível de exposição.
- O número de vezes que a ferramenta é desligada ou está ligada, mas não está a ser utilizada, pode reduzir significativamente o nível de exposição.

Proteja-se contra os efeitos da vibração, através de uma manutenção da ferramenta e dos respectivos acessórios, mantendo as mãos quentes e organizando os seus padrões de trabalho.

DESCRIÇÃO

Os números indicados no texto dizem respeito aos diagramas nas páginas 2 - 5.

1. Botão para ligar/desligar
2. Botão de desbloqueio
3. Botão de fixação da profundidade da ranhura
4. Régua para a profundidade da ranhura
5. Botão de fixação do eixo
6. Protecção
7. Base
8. Rolo-guia
9. Ligação para extracção de poeiras
10. Punho principal
11. Punho auxiliar
12. Parafusos Allen
13. Chave Allen
14. Eixo
15. Flange exterior
16. Chave de flange
17. Disco de corte
18. Arruelas espaçadoras
19. Disco de corte
20. Manga do eixo
21. Flange interna
22. Adaptador de extracção de poeira
23. Laser
24. Botão para ligar/desligar o laser
25. Compartimento das baterias

3. MONTAGEM



Antes de efectuar a montagem, desligue sempre a máquina e retire a ficha da tomada de corrente.

Substituir os discos de corte (Fig. B - D)

Os discos de corte gastos ou danificados devem ser substituídos de imediato.



- Utilize apenas discos de corte afiados e não danificados.
- Utilize apenas discos de corte adequados para o material com que pretende trabalhar.
- Utilize apenas discos de corte de acordo com uma velocidade máxima permitida que seja igual ou exceda a velocidade máxima sem carga da máquina.
- Utilize apenas discos de corte de diamante que sejam adequados para corte a seco.
- Substitua sempre os dois discos de corte ao mesmo tempo.
- Nunca tente retirar a protecção.

- Coloque a máquina sobre uma superfície estável.
- Aperte os parafusos Allen (12) com a chave Allen (13).
- Desaperte o botão de fixação (3) e baixe a base (7).
- Retire a protecção (6).
- Mantenha o botão de fixação do eixo (5) pressionado para bloquear o eixo (14).
- Desaperte a flange exterior (15) com a chave de flange (16). Para desapertar, rode-a para a direita. Para apertar, rode-a para a esquerda.
- Retire o disco de corte antigo (17), as arruelas espaçadoras (18), o disco de corte antigo (19), a manga do eixo (20) e a flange interna (21).
- Se necessário, limpe as flanges (15 e 21).
- Monte a flange interna (21), a manga do eixo (20), o novo disco de corte (19), as arruelas espaçadoras (18) e o novo disco de corte (17).
- Aperte a flange exterior (15) firmemente com a chave de flange (16).
- Liberte o botão de fixação do eixo (5).
- Monte a protecção (6).
- Levante a base (7) e aperte o botão de fixação (3).
- Aperte os parafusos Allen (12) firmemente com a chave Allen (13).

4. FUNCIONAMENTO

Regular a largura da ranhura (Fig. B - E)

A largura da ranhura pode ser regulada com as arruelas espaçadoras entre os discos de corte. O número de arruelas espaçadoras entre os discos de corte determina a largura da ranhura.



- Não regule a ranhura durante a utilização.
- Monte sempre pelo menos uma arruela espaçadora entre os discos de corte.

- Determine a largura da ranhura.
- Monte as arruelas espaçadoras (18) à volta dos discos de corte (17 e 19) pela ordem pretendida. Consulte o capítulo “Substituir os discos de corte”.

Regular a profundidade da ranhura (Fig. A e F)

A profundidade da ranhura varia entre 5 e 40 mm. A profundidade da ranhura pode ser lida na régua (4).



Não regule a profundidade da ranhura durante a utilização.

- Afrouxe o botão de fixação (3).
- Incline a base (7) para a posição pretendida. Regule a profundidade da ranhura cerca de 3 mm para a profundidade pretendida para compensar uma possível irregularidade da superfície da parede.
- Aperte o botão de fixação (3).

Ligar e desligar (Fig. A)

- Para ligar a máquina, mantenha o botão de desbloqueio (2) premido e, em simultâneo, carregue no botão para ligar/desligar (1).
- Para desligar a máquina, liberte o botão para ligar/desligar (1).

Utilizar o laser (Fig. A)

- Para ligar o laser (23), carregue no botão para ligar/desligar (24).
- Para desligar o laser (23), liberte o botão para ligar/desligar (24).

Protecção contra sobrecarga

A máquina está equipada com um dispositivo de protecção contra sobrecarga, que desliga a máquina automaticamente se estiver sobrecarregada.

- Desligue a máquina.
- Retire a máquina da peça de trabalho.
- Ligue a máquina.
- Ligue a máquina sem carga durante cerca de 1 minuto para que a máquina arrefeça.

Extracção de poeira (Fig. G)

Só deve utilizar a máquina quando estiver ligada a um dispositivo de vácuo aprovado para pó britado. O dispositivo de vácuo deve ser adequado para o material que esteja a ser trabalhado. Utilize um dispositivo de vácuo especial quando trabalhar com materiais tóxicos ou se forem produzidas poeiras tóxicas.



- Nunca utilize um aspirador doméstico. A utilização de um aspirador doméstico pode danificá-lo e causar problemas de saúde.
- Utilize sempre o adaptador de extracção de poeira.
- Assegure-se de que o tubo do dispositivo de vácuo está ligado com firmeza ao adaptador de extracção de poeira.
- Se o dispositivo de vácuo avariar, pare de trabalhar de imediato, desligue a máquina, retire a ficha da tomada de corrente e tente resolver o problema.

- Insira o adaptador de extracção de poeiras (22) na ligação para extracção de poeiras (9).
- Ligue o tubo de um dispositivo de vácuo ao adaptador de extracção de poeiras (22).

Sugestões para uma excelente utilização

- Desenhe uma linha para definir a direcção de orientação dos discos de corte.
- Segure a máquina com ambas as mãos. Continue a segurar o punho auxiliar (11) com a outra mão.
- Regule a largura da ranhura.
- Efectue um dos seguintes passos:
 - Baixe a máquina na direcção da parede e regule a profundidade da ranhura (recomendado). A máquina é colocada contra a parede e os discos de corte baixam na parede para regular a profundidade da ranhura de maneira mais rigorosa.
 - Regule a profundidade da ranhura e baixe a máquina na parede.

- Coloque a máquina com o rolo-guia (8) na parede. Assegure-se de que os discos de corte ficam alinhados com as linhas traçadas na parede.
- Regule a profundidade da ranhura.
- Ligue a máquina.
- Aguarde até a máquina atingir a velocidade máxima.
- Mova a máquina lentamente ao longo das linhas desenhadas de cima para baixo, premindo o rolo-guia (8) contra a parede (Fig. H).
- Não aplique demasiada pressão na máquina. Deixe a máquina fazer o trabalho.
- Desligue a máquina e aguarde até esta parar por completo antes de colocar a máquina no chão.

5. MANUTENÇÃO



Desligue a máquina da fonte de alimentação antes de efectuar quaisquer tarefas de manutenção.

Limpe a carcaça da máquina com regularidade com um pano macio, de preferência após cada utilização. Certifique-se de que as aberturas de ventilação não têm pó ou sujidade. Retire a sujidade muito persistente com um pano macio humedecido com água de sabão. Não utilize solventes, como gasolina, álcool, amoníaco, etc. Este tipo de produtos químicos danificam os componentes sintéticos.

Substituir as baterias (Fig. I)

O laser utiliza 2 baterias AAA. Se o laser deixar de funcionar, deve substituir as baterias.

- Retire a tampa (26) do compartimento das baterias (25).
- Retire as baterias gastas (27).
- Coloque as novas baterias (27).
- Coloque a tampa (27) no compartimento das baterias (25).

AMBIENTE



Os equipamentos eléctricos ou electrónicos defeituosos e/ou eliminados devem ser recolhidos em locais de reciclagem adequados.

Apenas para os países da CE

Não elimine as ferramentas eléctricas em conjunto com os resíduos domésticos. De acordo com a directiva europeia 2012/19/CE sobre resíduos de equipamentos eléctricos e electrónicos e a respectiva implementação na legislação nacional, as ferramentas eléctricas que já não sejam utilizadas devem ser recolhidas em separado e eliminadas de maneira ecológica.

GARANTIA

Os produtos da VONROC são desenvolvidos de acordo com os padrões de qualidade mais elevados e não apresentam quaisquer defeitos em termos de materiais e mão-de-obra em relação ao período estipulado por lei, cujo início é a partir da data de compra original. Se o produto apresentar qualquer falha durante este período devido a qualquer defeito de material e/ou de mão-de-obra, contacte a VONROC directamente.

As seguintes circunstâncias estão excluídas desta garantia:

- Se forem efectuadas ou tentadas quaisquer reparações e/ou alterações na máquina por centros de assistência não autorizados;
- Desgaste normal;
- Se a ferramenta foi utilizada de maneira abusiva, indevida ou a manutenção for efectuada de maneira incorrecta;
- Se forem utilizadas peças sobresselentes não originais.

Isto constitui a única garantia feita pela empresa, de maneira expressa ou implícita. Não existem quaisquer outras garantias expressas ou implícitas que se prolonguem, incluindo as garantias implícitas de comercialização e adequação para fins específicos. A VONROC não será, em nenhuma circunstância, responsável por danos incidentais ou indirectos. Os fornecedores devem estar limitados a reparar ou substituir as unidades ou peças que não estejam em conformidade.

O equipamento e o manual do utilizador estão sujeitos a alterações sem aviso prévio. As especificações podem ser alteradas sem aviso prévio.

1. BIZTONSÁGI UTASÍTÁSOK

Olvassa el az összes mellékelt biztonsági figyelmeztetést. A figyelmeztetések és utasítások be nem tartása áramütéshez, tűz keletkezéséhez vagy akár súlyos személyi sérüléshez vezethet. Őrizze meg a biztonsági figyelmeztetéseket és utasításokat későbbre is.

A használati útmutatóban és a terméken a következő jelölésekkel találkozhat:



Olvassa el a használati útmutatót.



Személyi sérülés veszélye áll fenn.



Áramütés veszélye.



Azonnal húzza ki a hálózati csatlakozódugót, ha a kábel megsérült, amikor takarít és, ha karbantartást végez.



*Viseljen biztonsági szemüveget.
Viseljen hallásvédő eszközt.*



Viseljen porvédő álarcot.



Repülő tárgyak veszélye. Ne engedjen báméskodókat a munkaterületre.



II. osztályú gép - Dupla szigetelés - Nincs szükség dugóra.



Figyelmeztetés lézersugárzásra.



A terméket hulladékként ne tegye arra nem alkalmas konténerbe.



A termék megfelel az európai irányelvek rá vonatkozó biztonsági követelményeinek.

A SZERSZÁMGÉPRE VONATKOZÓ ÁLTALÁNOS BIZTONSÁGI FIGYELMEZTETÉSEK



FIGYELMEZTETÉS! *Olvasson el minden biztonsági figyelmeztetést és utasítást.*

A biztonsági figyelmeztetések és útmutatások be nem tartása áramütést, tüzet és/vagy súlyos sérülést okozhat.

Az összes figyelmeztetést és utasítást őrizze meg, mert később még szüksége lehet rájuk. A figyelmeztetésekben szereplő „szerszámgép” kifejezés az Ön hálózatról működő (vezetékes) szerszámgépére vagy akkumulátorral működő (vezeték nélküli) szerszámgépére utal.

1) A munkaterület biztonsága

- Gondoskodjon a munkaterület tisztaságáról és megfelelő megvilágításáról.** A rendezetlen és sötét területeken valószínűbb a balesetek előfordulása.
- Ne használja az elektromos szerszámokat robbanásveszélyes légtérben, például ahol gyúlékony folyadékok, gázok vagy por vannak jelen.** A szerszámgépek használata során keletkező szikra lángra lobbanthatja a port és füstöt.
- A szerszámgép használata során a gyermekeket és a közelben tartózkodó személyeket tartsa távol a munkaterülettől.** Ha valami eltereli a figyelmét, elveszítheti az irányítást.

2) Elektromos biztonság

- Az elektromos szerszám dugóinak megfelelőnek kell lenniük az aljzathoz. Soha ne próbálja semmilyen módon módosítani a dugót. Földelt elektromos szerszámokhoz ne használjon semmilyen adapterdugót.** Az eredeti (értsd: módosítás nélküli) dugók és megfelelő hálózati aljzatok használatával mérsékelhető az elektromos áramütés veszélye.
- Ügyeljen arra, hogy teste ne érintkezzen földelt felületekkel, például csövezetekkel, radiátorral, tűzhellyel vagy hűtőszekrénnel.** Ha teste földelődik, megnő az áramütés kockázata.
- Óvja az elektromos szerszámokat az esőtől és nedves környezettől.** A szerszámgépbe kerülő víz növeli az elektromos áramütés veszélyét.
- Ne használja erőszakosan a kábelt. A kábelt soha ne használja a szerszámgép hordozására, húzására vagy az aljzathól történő kihúzására. A kábelt tartsa távol hőforrásoktól, olajtól, hegyes élektől és mozgó alkatrészekről.** A sérült vagy megtekeredett kábelek növelik az elektromos áramütés veszélyét.
- A szerszámgép kültéri használata esetén kültéri használatra alkalmas hosszabbító kábelt használjon.** A kültéri használatra alkalmas kábel használatával mérsékelhető az elektromos áramütés veszélye.

f) **Ha a szerszámgépet mindenképpen nedves környezetben kell használni, akkor használjon áramvédő kapcsolóval (RCD) ellátott tápfórást.** Az áramvédő kapcsolóval ellátott tápfórást használatával mérsékelhető az elektromos áramütés veszélye.

3) Személyi biztonság

- a) **A szerszámgép használata során maradjon éber, koncentráljon az éppen végzett műveletre és használja a józan ítélőképességét. Ha fáradt, vagy ha kábítószer, alkohol vagy gyógyszer hatása alatt áll, ne használjon szerszámgépet.** A szerszámgépek használata közben egyetlen pillanatnyi figyelmetlenség is súlyos személyi sérülést okozhat.
- b) **Használjon egyéni védőfelszerelést. Mindig viseljen szemvédő felszerelést.** A megfelelő körülményekhez való védőeszközökkel (például pormaszkkal, csúszásgátló biztonsági cipővel, munkavédelmi sisakkal vagy hallásvédő eszközzel) csökkenthető a személyi sérülések kockázata.
- c) **Gondoskodjon a gép véletlen elindulásának a megelőzéséről. A szerszám tápforráshoz és/vagy akkumulátorcsomaghoz történő csatlakoztatása, kézbevétele vagy hordozása előtt győződjön meg róla, hogy a kapcsoló OFF (ki-kapcs.) állásban van.** Ha úgy hordozza a szerszámgépet, hogy az ujj a kapcsolón van, vagy úgy helyezi feszültség alá a szerszámgépet, hogy a kapcsolója ON (bekapcs.) helyzetben van, ez növeli a balesetek kockázatát.
- d) **Az elektromos szerszám bekapcsolása előtt távolítsa el a csavarkulcsokat vagy beállító kulcsokat.** A szerszámgép forgó alkatrészein felejtett csavarkulcs vagy beállító kulcs személyi sérülést okozhat.
- e) **Ne próbáljon túlnyújtózva vagy kitekeredett testhelyzetben dolgozni. Mindig két lábbal, egyensúlyban álljon a talajon.** Így könnyebben tudja irányítani a szerszámgépet a váratlan helyzetekben.
- f) **Viseljen megfelelő öltözetet. Ne viseljen laza ruhát vagy ékszert. Haját, ruháját és kesztyűjét tartsa távol a mozgó alkatrészekről.** A mozgó alkatrészek behúzhatják a ruhákat, az ékszereket és a hosszú haját.
- g) **Ha a szerszámhoz porelszívó és porgyűjtő eszközt is lehet csatlakoztatni, akkor gondoskodjon ezek csatlakoztatásáról és megfelelő**

használatáról. A porgyűjtő rendszerek használatával csökkenthető a porral kapcsolatos veszélyek.

- h) **Ne engedje, hogy a szerszámok gyakori használata során szerzett tapasztalatai túlzott biztonságérzetet keltsenek Önben, és amiatt elhanyagolja a biztonsági alapelveket.** Gondatlan cselekvés már a másodperc töredéke alatt is súlyos sérülést okozhat.
- 4) **A szerszámgép használata és ápolása**
- a) **Az elektromos szerszámot tilos túlzott erőfelfrészéssel használni. Az alkalmazási célnak megfelelő szerszámgépet használjon.** A megfelelő szerszámgép biztonságosabban és hatékonyabban végzi a munkát azon a fordulatszámon, amire azt tervezték.
- b) **Ne használja az elektromos szerszámot, ha az nem kapcsolható be/ki a főkapcsolóval.** Bármely szerszámgép veszélyes lehet, amit a kapcsolóval nem lehet irányítani, ezért az ilyen szerszámgépet meg kell javíttatni.
- c) **Válassza le a dugót a tápforrásról és/vagy az akkumulátorcsomagot az elektromos szerszámról, mielőtt bármilyen módosítást végez, tartozékot cserél vagy eltávolítja az elektromos szerszámot.** Ezekkel a megelőző biztonsági intézkedésekkel csökkenthető a szerszámgép véletlen elindulásának a kockázata.
- d) **A használaton kívüli elektromos szerszámot olyan helyen tárolja, ahol gyermekek nem férhetnek hozzá; ne engedje, hogy olyan személyek használják, akik az elektromos szerszámot és ezeket az utasításokat nem ismerik.** A szerszámgépek rendkívül veszélyesek lehetnek szakképzetlen felhasználók kezében.
- e) **Tartsa karban az elektromos szerszámokat. Ellenőrizze, hogy a mozgó alkatrészek nem állítódtak-e el vagy nem szorulnak-e, nincsenek-e a szerszámon törött alkatrészek, és nem állnak-e fenn olyan körülmények, amelyek befolyásolhatják a szerszám működését. Ha a szerszámgép sérült, használat előtt javíttassa meg.** A nem megfelelően karbantartott szerszámgépek számos balesetet okoznak.
- f) **Tartsa élesen és tisztán a vágószerszámokat.** A megfelelően karbantartott, éles vágószerszámok beszorulásának kisebb a valószínűsége, ráadásul könnyebben irányíthatók.
- g) **Az elektromos szerszámot, tartozékokat és szerszámszárakat stb. a használá-**

ti útmutatónak megfelelően használja, a munkakörülmények és az elvégzendő feladat figyelembevételével. Ha a szerszámgépet a rendeltetési céljától eltérően használják, ez veszélyhelyzetet teremthet.

- h) **Tartsa a fogantyúkat és egyéb markolási felületeket szárazon, tisztán, olajtól és zsírtól mentesen.** Váratlan helyzetekben a csúszós fogantyúk és egyéb markolási felületek akadályozzák a szerszám biztonságos kezelését és irányítását.
- 5) **Az akkumulátoros szerszám használata és ápolása**
- a) **Újratöltéshez csak a gyártó által megjelölt töltőt használja.** Az egyik akkumulátorhoz megfelelő töltő másikfajta töltővel használva tűzveszélyes lehet.
- b) **Csak a kifejezetten hozzájuk készült akkumulátorral használja az elektromos szerszámokat.** Bármilyen másfajta akkumulátor használata tűz- és balesetveszélyt idézhet elő.
- c) **Amikor nem használja az akkucsomagot, tartsa azt távol minden fémes tárgytól, például tűzőkapocstól, érmétől, kulcstól, szögtől, csavartól és minden más apró fémtárgytól, amely az érintkezőket rövidegre zárhatja.** Az akkumulátor kapcsok rövidegre zárása égési sérülést vagy tüzet okozhat.
- d) **Nem előírászerű körülmények között az akkumulátorból folyadék szivároghat; kerülje a vele való érintkezést. Ha véletlenül mégis a bőrre kerül, vízzel öblítse le. Ha a folyadék szembe kerül, forduljon orvoshoz.** Az akkumulátorból származó folyadék bőrizgató hatású, égési sérülést is okozhat.
- e) **Sérült vagy átalakított akkucsomagot és szerszámot ne használjon.** A sérült vagy átalakított akkumulátorok kiszámíthatatlanul viselkedhetnek, tüzet, robbanást vagy sérülést okozhatnak.
- f) **Tűztől és eszélsőséges hőmérséklettől óvja az akkucsomagot és a szerszámot.** Ha tűznek vagy 130 °C-on felüli hőmérsékletnek teszi ki, robbanást okozhat. MEGJEGYZÉS: a „130 °C” „265 °F”-nak (Fahrenheit foknak) felel meg.
- g) **Tartsa be a töltésre vonatkozó összes utasítást, és ne töltsen az akkucsomagot vagy a szerszámot a kezelési útmutatóban megadott tartományon kívül eső hőmérséklet mellett.** Nem megfelelő vagy a megadott tartományon

kívüli hőmérséklet mellett történő töltés károsíthatja az akkumulátort, és tűzveszéllyel jár.

6) Szerviz

- a) **Az elektromos szerszámot képzett javító szakemberrel javíttassa, csakis az eredetivel azonos pótalkatrészeket használjon fel.** Ez biztosítja, hogy a szerszámgép továbbra is biztonságos maradjon.
- b) **Sérült akkucsomagot soha ne szervizeljen.** Akkucsomagok szervizelését csak a gyártó vagy annak megbízott szolgáltatója végezheti.

TOVÁBBI MUNKAVÉDELMI FIGYELMEZTETÉSEK A FALHORONYMARÓHOZ

- **Figyelmeztetés lézersugárzásra.** Lézerbesorolás 2, P max.: <1 mW, λ: 650 nm, EN 60825-1:2014. Ne nézzen közvetlenül a lézersugárba vagy abba a nyílásba, ahonnan a lézersugár ered. Soha ne irányítsa a lézersugarat emberekre, állatokra vagy tükröződő felületekre. A szemet ért rövid ideig tartó sugárzás is tartós szemkárosodáshoz vezethet. Ha optikai eszközzel (pl. nagyítással stb.) vizsgálja meg a lézer kimeneti nyílását, az szemkárosodás veszélyével jár. Ha 2-es besorolású lézerrel dolgozik, tartsa be a védőszabályok viselésére vonatkozó nemzeti szabályokat.
- Ne dolgozzon azbeszttartalmú anyagokkal. Az azbeszt rákkeltőnek minősül.
- Viseljen biztonsági szemüveget, hallásvédelmet és szükség esetén egyéb védőeszközöket, például védőkesztyűt, biztonsági cipőt stb.
- Használat előtt távolítsa el minden szöveget és egyéb fémtárgyat a falról.
- Amikor hornyokat vág a falba, ügyeljen a falban húzódnak csövekre és vezetésekre.
- Mindig két kézzel tartsa a gépet.
- Ne használja a gépet védőburkolat nélkül.
- Minden egyes használat előtt ellenőrizze a vágókorongot. Ne használjon hajlított, repedt vagy más módon sérült vágókorongot.
- Győződjön meg arról, hogy a vágókorong megfelelően rögzítve van.
- Győződjön meg arról, hogy a vágókorong a megfelelő irányba forog.
- Ne használja úgy a gépet, hogy a vágókorongok felfelé vagy oldalirányba nézzenek.
- Kizárólag a gép használatához alkalmas vágókorongot használjon.

- Kizárólag megfelelő méretű vágókorongot használjon.
- A vágókorongon kívül más tartozékot ne használjon.
- Ne használja a gépet olyan helyzetben, amelyeknél a maximális horonymélység meghaladja a vágókorongok maximális horonymélységét.
- Győződjön meg arról, hogy a kezei ne érjenek a forgó alkatrészekhez.
- Mindig a megfelelő munkairányba dolgozzon (lásd a gép alján található jelölést).
- A vágókorong felszerelése után hagyja a gépet terhelés nélkül, biztonságos helyen futni. Ha a gép erősen rezeg, azonnal kapcsolja ki a gépet, húzza ki a hálózati csatlakozódugót, és próbálja megoldani a problémát.
- Figyeljen arra, hogy a vágókorong a gép kikapcsolása után rövid ideig még tovább forog. Ne kísérelje meg megállítani a vágókorongot.
- Soha ne tegye le a gépet asztalra vagy munkapadra, amíg ki nem kapcsolta.

Visszarúgás

A visszarúgás a vágókorong felfelé és hátrafelé irányuló mozgása, amikor a vágókorong váratlanul hozzáér egy tárgyhoz. Használat közben biztonságosan tartsa a gépet mindkét kezével. Koncentráljon a műveletre.

A visszarúgást általában a következők okozzák:

- kemény tárgyak vagy anyagok véletlen megérintése a forgó vágókoronggal;
- tompa, életlen vágókorong;
- nem megfelelően felszerelt vágókorong;
- egy korábbi vágásba történő vágás;
- a műveletre való odafigyelés hiánya;
- instabil tartás.

Elektromos biztonság



Mindig ellenőrizze, hogy a tápellátás megfelel-e az adattáblán feltüntetett feszültségnek.

- Ne használja a gépet, ha a hálózati kábel vagy a hálózati csatlakozódugó sérült.
- Csak olyan hosszabbító kábelt használjon amely megfelel a berendezés névleges teljesítményének és legalább 1,5 mm² vastag. Ha tekercset használ a hosszabbító kábelhez, mindig teljesen tekerje le a kábelt.

2. A GÉP ADATAI

Rendeltetése

A Falhoronymarót úgy terveztük meg, hogy a használatával falazatba lehessen hornyokat marni. A gépet kizárólag jobbkezesek használhatják.

MŰSZAKI ADATOK

Modellazonosító	WC502AC / S_WC502AC / S2_WC502AC
Hálózati feszültség	230 V ~
Hálózati frekvencia	50 Hz
Felvett teljesítmény	1700 W
Üresjáratú fordulatszám	4000 min ⁻¹
Horony szélessége	14/19/29 mm
Horony mélysége	5–40 mm
Vágókorong Átmérő:	150 mm
Furat:	22,2 mm
Tengelymenet	M12
Védelmi osztály	IP-20
Súly	5,1 kg
Hangnyomás L _{PA}	85,3 dB(A)
Hangteljesítmény L _{WA}	96,3 dB(A)
Mérési bizonytalanság (K)	3 dB(A)
Vibráció (fő markolat)	7,214 m/s ²
Vibráció (segédmarkolat)	5,843 m/s ²
Mérési bizonytalanság (K)	1,5 m/s ²



Viseljen hallásvédő eszközt.

Rezgés értékek

A használati útmutatóban megadott rezgés kibocsátási értékek mérése az EN60745 szabvány szerinti egységesített eljárással történt; az értékek használhatók gépek összehasonlítására és a munkavégzés közbeni rezgés terhelés előzetes megbecslésére az adott alkalmazási területen.

- Ha az elektromos kéziszerszámot más területen használják vagy más vagy rossz karban tartott tartozékkal, a rezgés terhelés jelentősen megnövekedhet.
- Azok az időtartamok, amely alatt a gép üresen jár vagy áll, jelentősen csökkenthetik a tényleges terhelést.

Védje magát a rezgés hatásától, tartsa karban a gépet és a tartozékokat, melegítsen be és szervezze meg okosan a munkáját.

LEÍRÁS

A szövegbeli számok a 2–5. oldal képeire utalnak.

1. Főkapcsoló
2. Reteszgomb
3. A horony mélységét rögzítő reteszgomb
4. A horony mélységét jelző beosztás
5. Tengelyrögzítő gomb
6. Védőburkolat
7. Alap
8. Terelőgörgő
9. Porelszíváshoz csatlakozás
10. Fő markolat
11. Segédmarkolat
12. Belső kulcsnyílású csavarok
13. Belső kulcsnyílású csavar
14. Tengely
15. Külső karima
16. Karimakulcs
17. Vágókorong
18. Távtartók
19. Vágókorong
20. Tengely perselye
21. Belső karima
22. Porelszívó adapter
23. Lézer
24. Lézer főkapcsolója
25. Elemtartó

3. SZERELÉS



Szerelés előtt mindig kapcsolja ki a gépet, és húzza ki a hálózati csatlakozódugót.

A vágókorongok cseréje (B-D ábra)

A kopott vagy sérült vágókorongot azonnal ki kell cserélni.



- *Kizárólag éles és sérülésmentes vágókorongot használjon.*
- *Kizárólag olyan vágókorongot használjon, amely alkalmas annak az anyagnak a vágására, amelyen dolgozni szeretne.*
- *Olyan maximális megengedett fordulatszámú vágókorongot használjon, ami megegyezik vagy meghaladja a gép maximális üresjárati fordulatszámát.*

Kizárólag olyan gyémánt vágókorongot használjon, amely alkalmas a száraz vágásra.

- *Csere esetén minden esetben mindkét korongot cserélje ki.*
- *Ne próbálkozzon a védőburkolat eltávolításával.*

- A gépet stabil felületen helyezze el.
- Az imbuszcsoncsavarokat (12) lazítsa meg az imbuszkulcs segítségével (13).
- Lazítsa meg a reteszelő gombot (3) és engedje le az alapot (7).
- Távolítsa el a védőburkolatot (6).
- A tengely (14) reteszeléséhez tartsa lenyomva a tengelyrögzítő gombot (5).
- Lazítsa meg a külső karimát (15) a mellékelt kulcs (16) segítségével. A meglazításhoz forgassa el az óramutató járásával megegyező irányba. A meghúzáshoz forgassa el az óramutató járásával ellentétes irányba.
- Távolítsa el az egyik régi vágókorongot (17), a távtartókat (18), a másik régi korongot (19), a tengely perselyét (20) és a belső karimát (21).
- Szükség esetén tisztítsa meg a karimákat (15 és 21).
- Szerelje vissza a belső karimát (21), a tengely perselyét (20), az egyik új vágókorongot (19), a távtartókat (18) és a másik új vágókorongot (17).
- Erősen húzza meg a külső karimát (15) a kulcs segítségével (16).
- Oldja ki a tengelyrögzítő gombot (5).
- Szerelje vissza a védőburkolatot (6).
- Emelje meg az alapot (7), majd húzza meg a reteszelő gombot (3).
- Szorosan húzza meg az imbuszcsoncsavarokat (12) az imbuszkulcs segítségével (13).

4. KEZELÉS

A horony szélességének beállítása (B-E ábra)

A horony szélességét a vágókorongok között elhelyezkedő távtartókkal lehet beállítani. A vágókorongok között található távtartók száma határozza meg a horony szélességét.



- *A gép használata közben ne állítson a horony szélességén.*
- *Minden esetben legalább egy távtartónak lennie kell a vágókorongok között.*

- Határozza meg a horony szélességét.
- Helyezze el a távtartókat (18) a vágókorongok mellett (17 és 19) a szükséges sorrendben. Olvassa el a „Vágókorong cseréje” című fejezetet.

A horony mélységének beállítása (A és F ábra)

A horony mélysége 5 és 40 mm között változhat.

A horony mélységét a besztásról (4) lehet leolvasni.



A gép használata közben ne állítson a horony mélységén.

- Lazítsa meg a reteszelő gombot (3).
- Billentse az alapot (7) a kívánt helyzetbe. A horony mélységét a kívánt mélységnél 3 mm-rel mélyebbre állítsa, hogy kompenzálni tudja a fal felületének esetleges egyenetlenségeit.
- Húzza meg a reteszelő gombot (3).

Bekapcsolás, kikapcsolás (A ábra)

- A gép bekapcsolásához tartsa lenyomva a reteszelő gombot (2), majd ezzel egyidőben nyomja meg a főkapcsolót (1).
- A gép kikapcsolásához engedje fel a főkapcsolót (1).

A lézer használata (A ábra)

- A lézer (23) bekapcsolásához nyomja meg a főkapcsolót (24).
- A lézer (23) kikapcsolásához engedje fel a főkapcsolót (24).

Túlterhelés elleni védelem

A gép túlterhelés ellen védőberendezéssel van felszerelve, amely túlterhelés esetén automatikusan kikapcsolja a gépet.

- Kapcsolja ki a gépet.
- Távolítsa el a gépet a munkadarabról.
- Kapcsolja be a gépet.
- Járassa a gépet nagyjából 1 percig, hogy lehűljön.

Porelszívás (G ábra)

A gépet kizárólag akkor használja, ha olyan porelszívó készülékhez van csatlakoztatva, amely kőporhoz engedélyezett. A vákuumberendezésnek megfelelőnek kell lennie az adott anyaggal történő munkához. Speciális vákuumberendezést használjon a mérgező anyagokkal való munka során, vagy ha mérgező por keletkezhet a munkálatok elvégzésekor.



- *Soha ne használjon háztartási porszívó készüléket! A háztartási porszívó készülékkel a saját egészségét és a porszívót is tönkretelheti!*
- Minden esetben használja a porelszívó adaptert.
- Győződjön meg arról, hogy a vákuumberendezés tömlője biztonságosan csatlakozik a porelszívó adapterhez.
- Ha a vákuumberendezés elromlik, azonnal hagyja abba a munkát és kapcsolja ki a gépet, húzza ki a hálózati csatlakozódugót, és próbálja megoldani a problémát.
- Illesze a porelszívó adaptert (22) a porelszívó csatlakozóba (9).
- Csatlakoztassa a vákuumberendezés tömlőjét a porelszívó adapterhez (22).

Hasznos ötletek

- Húzzon vonalakat vágókorongok vezetési irányának meghatározására.
- Mindkét kezével tartsa a gépet. A kevésbé ügyes kezét tartsa a segédmarkolaton (11).
- Állítsa be a horony szélességét.
- Hajtsa végre az alábbi lépéseket:
 - Engedje a gépet a falba, majd állítsa be a horony mélységét (ajánlott). A gép a falnak támaszkodva helyezkedik el, a vágókorongok belemarnak a falba, hogy pontosabban be lehessen állítani a horony mélységét.
 - Állítsa be a horony mélységét és engedje a gépet a falba.
- Helyezze a terelőgörgővel (8) ellátott gépet a falra. Győződjön meg arról, hogy a vágókorong követi a falra megrajzolt vonalakat.
- Állítsa be a horony mélységét.
- Kapcsolja be a gépet.
- Várja meg, amíg a gép teljes fordulatszámra gyorsul.
- Lassan mozgassa a gépet az előre megrajzolt vonal mentén fentről lefelé haladva, nyomja a vezetógörgőt (8) erősen a falhoz (H ábra).
- Ne nyomja túl erősen a gépet. Hagyja, hogy a gép dolgozzon.
- Kapcsolja ki a gépet, majd várja meg, amíg teljesen leáll, csak utána tegye le.

5. KARBANTARTÁS



Karbantartási munkák elvégzése előtt mindig válassza le a gépet a hálózati tápellátásról.

A gép burkolatát rendszeresen, lehetőleg minden használat után törölje át puha ronggyal. Ügyeljen arra, hogy a szellőzőnyílások portól és piszoktól mentesek. Makacs szennyeződésekhez használjon szappanos vízzel átitatott ruhát. Oldószert, benzint, alkoholt, ammóniát stb. ne használjon. Ezek a vegyszerek kárt tesznek a szintetikus alkatrészekben.

Elemek cseréje (B ábra)

A lézer működéséhez 2 darab AAA elem szükséges. Ha a lézer nem működik, az elemeket ki kell cserélni.

- Vegye le a fedelet (26) az elemtartóról (25).
- Távolítsa el a régi elemeket (27).
- Helyezze be az új elemeket (27).
- Helyezze vissza a fedelet (27) az elemtartóra (25).

KÖRNYEZETVÉDELEM



A hibás vagy már feleslegessé vált elektromos, elektronikus készülékeket az ezzel foglalkozó begyűjtő helyeken kell leadni.

Csak EU országokban

Elektromos szerszámokat ne dobjon a háztartási hulladékba. Az elektromos és elektronikai hulladékokra vonatkozó, 2012/19/EU európai irányelv és annak a nemzeti törvénykezésbe történő átültetése értelmében az elhasznált elektromos készülékeket külön kell gyűjteni és környezetbarát módon kell kiselejtezni.

JÓTÁLLÁS

A VONROC termékei a legmagasabb minőségi normák szerint készülnek, és az eredeti vásárlás napjától számított, törvényileg előírt időtartamig garantáljuk, hogy anyag- és gyártási hibáktól mentesen fognak működni. Ha a termékben ezen időszak alatt bármilyen hiba jelentkezik anyag- és/ vagy gyártási hiba miatt, kérjük, forduljon közvetlenül a VONROC-hoz.

A szavatosság nem érvényes a következő körülmények egyikére sem:

- Nem hivatalos szervizközpontok javítást vagy módosítást végeztek (vagy megkíséreltek javítást vagy módosítást végezni) a gépen;
- Normál elhasználódás és kopás;
- A szerszámot erőszakosan vagy nem rendeltetésszerűen használták, vagy a karbantartása nem volt megfelelő;
- Nem eredeti pótalkatrészeket használtak.

A jelen garancia a vállalat által (akár kifejezetten, akár hallgatólagosan) biztosított kizárólagos garancia. Nem léteznek olyan egyéb garanciák (sem kifejezett, sem hallgatólagos garanciák, beleértve az értékesíthetőségre és az adott célra való alkalmasságra vonatkozó hallgatólagos garanciákat is), amelyek a jelen garancia hatókörén túlmutatnak. A VONROC semmilyen esetben sem felelős semmilyen járulékos vagy következményes kárért. A forgalmazók jogorvoslati teendői az előírásoknak nem megfelelő egységek vagy alkatrészek javítására és cseréjére korlátozódnak.

A termék és a használati útmutató változtatásának jogát fenntartjuk. A műszaki adatok előzetes bejelentés nélkül változhatnak.

1. BEZPEČNOSTNÍ POKYNY

Přečtěte si přiložené bezpečnostní výstrahy, dodatečně bezpečnostní výstrahy a bezpečnostní pokyny. Nebudete-li dodržovat tyto bezpečnostní výstrahy a pokyny, může dojít k úrazu elektrickým proudem, k vzniku požáru nebo k vážnému zranění. Uchovejte tyto bezpečnostní výstrahy a pokyny pro budoucí použití.

V této návodu a na tomto výrobku jsou použity následující symboly:



Přečtěte si uživatelskou příručku.



Nebezpečí zranění osob.



Nebezpečí úrazu elektrickým proudem.



Ihned odpojte zástrčku napájecího kabelu od síťové zásuvky, dojde-li k jeho poškození a také v průběhu čištění nebo údržby.



Použijte ochranné brýle.

Použijte ochranu sluchu.



Použijte masku proti prachu.



Riziko zranění odlétávajícími předměty. Zamezte přístupu nepovolaných osob do pracovního prostoru.



Stroj třídy II – Dvojitá izolace – Nemusí být použit uzemňovací vodič.



Varování před laserovým zářením.



Nevyhazujte tento výrobek do nevhodného kontejneru.



Tento výrobek je vyroben v souladu s platnými bezpečnostními normami, které jsou uvedeny ve směrnících EU.

ZÁKLADNÍ BEZPEČNOSTNÍ VÝSTRAHY PRO ELEKTRICKÉ NÁŘADÍ



VAROVÁNÍ! Přečtěte si všechny bezpečnostní výstrahy a všechny pokyny. Nebudete-li dodržovat tyto bezpečnostní výstrahy a pokyny, může dojít k úrazu

elektrickým proudem, k vzniku požáru nebo k způsobení vážného zranění.

Uchovejte všechny bezpečnostní výstrahy a pokyny pro budoucí použití.

Termín elektrické nářadí v těchto varováních odkazuje na elektrické nářadí napájené z elektrické sítě (s napájecím kabelem) nebo akumulátorem (bez napájecího kabelu).

1) Bezpečnost pracovního prostoru

- Udržujte pracoviště uklizené a dobře osvětlené.** Neuklizená nebo tmavá místa přivolávají nehody.
- Nepoužívejte elektrická nářadí ve výbušných prostředích, jako jsou místa s přítomností hořlavých kapalin, plynů nebo prachu.** V elektrickém nářadí dochází k jiskření, které může způsobit vznícení prachu nebo výparů.
- Při práci s tímto elektrickým nářadím udržujte děti a okolo stojící osoby v bezpečné vzdálenosti.** Rozptylování může způsobit ztrátu kontroly nad nářadím.

2) Elektrická bezpečnost

- Zástrčka napájecího kabelu nářadí musí odpovídat zásuvce. Zástrčku nikdy žádným způsobem neupravujte. Nepoužívejte u uzemněného elektrického nářadí žádné adaptéry zástrček.** Neupravené zástrčky a odpovídající zásuvky budou snižovat riziko úrazu elektrickým proudem.
- Vyvarujte se kontaktu s uzemněnými povrchy, jako jsou potrubí, radiátory, trouby a ledničky.** Dojde-li k uzemnění vašeho těla, hrozí zvýšené riziko způsobení úrazu elektrickým proudem.
- Nevystavujte elektrické nářadí dešti ani vlhkému prostředí.** Dostane-li se do elektrického nářadí voda, zvýší se riziko úrazu elektrickým proudem.
- Nezacházejte špatně s napájecím kabelem. Nikdy nepoužívejte napájecí kabel pro přenášení nebo tahání elektrického nářadí a netahejte za tento kabel při odpojování zástrčky od zásuvky. Dbejte na to, aby tento kabel nepřecházel přes horké a masné povrchy nebo přes ostré hrany, a aby se nedostal do kontaktu s pohyblivými se díly.** Poškozené nebo zamotané kabely zvyšují riziko úrazu elektrickým proudem.
- Používáte-li elektrické nářadí venku, použijte prodlužovací kabel vhodný pro venkovní použití.** Použití prodlužovacího kabelu pro

venkovní použití snižuje riziko úrazu elektrickým proudem.

- f) **Musíte-li používat toto elektrické nářadí ve vlhkém prostředí, používejte v elektrickém obvodu proudový chránič (RCD).** Použití proudového chrániče (RCD) snižuje riziko úrazu elektrickým proudem.

3) Bezpečnost osob

- a) **Při práci s tímto elektrickým nářadím buďte stále pozorní, sledujte, co provádíte a používejte zdravý rozum. Nepoužívejte elektrické nářadí, jste-li unaveni nebo jste-li pod vlivem drog, alkoholu nebo léků.** Nepozornost při práci s elektrickým nářadím může vést k velmi nebezpečným zraněním.
- b) **Používejte osobní ochranné prostředky. Vždy používejte ochranu zraku.** Ochranné prostředky, jako jsou maska proti prachu, neklouzavá pracovní ochranná obuv, pevná přilba nebo chrániče sluchu, které jsou používány v příslušných podmínkách, zmenšují riziko způsobení zranění osob.
- c) **Zabraňte náhodnému spuštění nářadí. Před připojením elektrického nářadí k napájecímu zdroji nebo před vložením akumulátoru do nářadí také před zvednutím nářadí nebo před jeho přenášením se ujistěte, zda je spínač na nářadí v poloze vypnuto.** Přenášení elektrického nářadí s prstem na spouštěcím spínači nebo připojení elektrického nářadí ke zdroji elektrické energie, je-li spouštěcí spínač v poloze zapnuto, zvyšuje pravděpodobnost vzniku nehod.
- d) **Před zapnutím elektrického nářadí vždy odstraňte všechny klíče a seřizovací přípravky.** Klíče nebo seřizovací přípravky ponechané na rotující části elektrického nářadí mohou způsobit zranění osob.
- e) **Nepřeceňujte své síly. Vždy udržujte správný postoj a rovnováhu.** Tak si zachováte lepší kontrolu nad nářadím v neočekávaných situacích.
- f) **Vhodně se oblékejte. Nenoste volný oděv nebo šperky.** Udržujte vlasy, oblečení a rukavice v bezpečné vzdálenosti od všech pohyblivých částí. Volný oděv, šperky nebo dlouhé vlasy mohou být zachyceny pohyblivými se silami.
- g) **Jsou-li zařízení vybavena adaptérem pro připojení odsávacího systému, ujistěte se, zda je odsávací zařízení správně připojeno a zda správně plní svoji funkci.** Použití odsávání pra-

chu může snížit rizika spojená prací v prašném prostředí.

- h) **Nedovoľte, aby jistota získaná častým používáním nářadí vedla ke snížení vaší pozornosti a ignorování zásad bezpečné práce s nářadím.** Chvilková nepozornost může během zlomku sekundy způsobit vážné zranění.
- ### 4) Použití elektrického nářadí a jeho údržba
- a) **Nepřetěžujte elektrické nářadí. Používejte pro prováděnou práci správné elektrické nářadí.** Správné elektrické nářadí provede práci lépe a bezpečněji, je-li použito pro práce, pro které je určeno.
- b) **Nepoužívejte elektrické nářadí, nepracuje-li správně jeho spouštěcí spínač.** Nemůžete-li elektrické nářadí ovládat pomocí spouštěcího spínače, takové nářadí je velmi nebezpečné a musí být opraveno.
- c) **Před prováděním jakéhokoliv seřízení, před výměnou příslušenství nebo před uložením odpojte napájecí kabel nářadí od napájecího zdroje nebo z nářadí vyjměte akumulátor.** Tato preventivní bezpečnostní opatření snižují riziko náhodného spuštění elektrického nářadí.
- d) **Uložte nepoužívané elektrické nářadí mimo dosah dětí a nedovoľte osobám, které nejsou obeznámeny s tímto nářadím nebo s těmito pokyny, aby toto elektrické nářadí používaly.** Elektrické nářadí je v rukách neproškolených osob nebezpečné.
- e) **Provádějte údržbu elektrického nářadí. Zkontrolujte vychýlení nebo zablokování pohyblivých částí, poškození dílů a stavy nářadí, které by mohly mít vliv na správnou funkci nářadí. Je-li elektrické nářadí poškozeno, zajistěte jeho opravu dříve, než ho použijete.** Mnoho nehod bývá způsobeno nedostatečnou údržbou elektrického nářadí.
- f) **Udržujte řezné nástroje ostré a čisté.** U správně udržovaných řezných nástrojů s ostrými řeznými břity je menší pravděpodobnost jejich zablokování a lépe se s nimi pracuje.
- g) **Používejte elektrické nářadí, příslušenství, pracovní nástroje atd. v souladu s těmito pokyny a berte v úvahu pracovní podmínky a práci, která má být provedena.** Použití elektrického nářadí pro operace, pro které není určeno, může vést k nebezpečným situacím.
- h) **Dbejte na to, aby byly rukojeti a úchopné povrchy suché, čisté a zbavené olejů a maziv.**

Kluzké rukojeti a plochy pro úchop neumožňují bezpečnou manipulaci a ovládání nářadí v ne-
očekávaných situacích.

5) Použití a údržba akumulátorového nářadí

- a) **K nabíjení používejte výhradně nabíječku předepsanou výrobcem.** Nabíječka vhodná pro jeden typ akumulátoru může způsobit požár při vložení jiného, nevhodného typu.
- b) **Používejte elektrické nářadí pouze s předepsanými akumulátory.** Použití jiných typů akumulátoru může způsobit požár nebo zranění.
- c) **Není-li akumulátor používán, uložte jej mimo dosah kovových předmětů, jako jsou kancelářské sponky, mince, klíče, hřebíky, šroubky nebo jiné malé kovové předměty, které mohou způsobit zkratování jeho kontaktů.** Zkratování kontaktů akumulátoru může způsobit popálení nebo požár.
- d) **Za nevhodných podmínek může z akumulátoru unikat kapalina. Vyvarujte se kontaktu s touto kapalinou. Dojde-li k náhodnému kontaktu s touto kapalinou, zasažené místo omyjte vodou. Dostane-li se kapalina do očí, ihned si je vypláchněte vodou a vyhledejte lékařskou pomoc.** Unikající kapalina z akumulátoru může způsobit podráždění pokožky nebo popáleniny.
- e) **Nepoužívejte poškozený nebo upravený akumulátor či nářadí.** Poškozené nebo upravené akumulátory se mohou chovat nepředvídatelně, což může způsobit požár, výbuch nebo nebezpečí zranění.
- f) **Nevystavujte akumulátor nebo nářadí ohni ani nadměrným teplotám.** Vystavení účinkům ohně nebo teplot nad 130 °C může způsobit výbuch. POZNÁMKA: Teplota „130 °C“ odpovídá teplotě „265 °F“.
- g) **Dodržujte všechny pokyny pro nabíjení a nenabíjejte akumulátor ani nářadí mimo teplotní rozsah předepsaný v těchto pokynech.** Nesprávné nabíjení nebo nabíjení při teplotě mimo předepsaný rozsah může poškodit akumulátor a zvýšit nebezpečí vzniku požáru.

6) Servis

- a) **Svěřte opravu svého elektrického nářadí pouze osobě s příslušnou kvalifikací, která bude používat výhradně originální náhradní díly.** Tím zajistíte bezpečný provoz tohoto elektrického nářadí.

- b) **Nikdy neopravujte poškozené akumulátorové moduly.** Opravy akumulátorů smí provádět výhradně výrobce nebo technik autorizovaného servisu.

DOPLŇKOVÁ BEZPEČNOSTNÍ VAROVÁNÍ PRO DRÁŽKOVACÍ FRÉZKU

- **Varování před laserovým zářením.** Laser třídy 2, Pmax: <1 mW, λ: 650 nm, EN 60825-1:2014. Nedívejte se přímo do laserového paprsku nebo do otvoru, z jakého tento laserový paprsek vychází. Nikdy nemiřte laserovým paprskem na osoby, zvířata nebo na odrazové plochy. Dokonce i krátký kontakt oka s laserem může vést k poškození zraku. Zkoumání výstupního otvoru laserového paprsku pomocí optických nástrojů (například lupy, zvětšovacího skla atd.) představuje riziko poškození zraku. Při práci s laserem třídy 2 dodržujte platné národní předpisy týkající se ochrany zraku.
- Nepracujte s materiály, které obsahují azbest. Asbest je považován za karcinogenní látku.
- Používejte ochranné brýle, ochranu sluchu a v případě potřeby další ochranné prostředky, jako jsou ochranné rukavice, bezpečnostní obuv atd.
- Před zahájením práce odstraňte z obrobku všechny hřebíky a jiné kovové prvky.
- Při frézování drážek do stěn dávejte pozor na skryté trubky a vedení.
- Vždy držte nářadí pevně oběma rukama.
- Nepoužívejte toto nářadí bez ochranného krytu.
- Před každým použitím zkontrolujte řezné kotouče. Nepoužívejte řezné kotouče, které jsou deformované, prasklé nebo jiným způsobem poškozené.
- Ujistěte se, zda jsou řezné kotouče správně nasazeny.
- Ujistěte se, zda se řezné kotouče otáčejí správným směrem.
- Nepoužívejte toto nářadí s řeznými kotouči otočenými směrem nahoru nebo do strany.
- Používejte pouze řezné kotouče, které jsou vhodné pro použití s tímto nářadím.
- Používejte pouze řezné kotouče se správnými rozměry.
- Nepoužívejte jiné příslušenství než řezné kotouče.
- Nepoužívejte toto nářadí na obrobkách vyžadujících takovou maximální hloubku řezu, která přesahuje maximální hloubku řezu řezných kotoučů.

- Zajistěte, aby se vaše ruce nedotýkaly rotujících částí.
- Vždy pracujte ve správném pracovním směru (viz označení na základně).
- Po montáži řezných kotoučů nechejte nářadí na bezpečném místě v chodu naprázdno. Dochází-li k silným vibracím, okamžitě nářadí zastavte, odpojte jeho napájecí kabel od zásuvky a pokuste se vyřešit vzniklý problém.
- Nezapomínejte, že po vypnutí nářadí budou řezné kotouče pokračovat v otáčení ještě chvíli po vypnutí tohoto nářadí. Nepokoušejte se tyto pohybující se řezné kotouče zastavit sami.
- Nikdy neodkládejte nářadí na pracovní stůl nebo ponk, dokud nebude vypnuto a zcela zastaveno.

Zpětný ráz

Zpětný ráz je pohyb řezných kotoučů směrem nahoru a zpět, když se řezné kotouče neočekávaně dostanou do kontaktu s předmětem. Během používání držte nářadí pevně oběma rukama. Soustřeďte se na práci.

Zpětný ráz má obvykle následující příčiny:

- Neúmyslný kontakt pohybujících se řezných kotoučů s tvrdými předměty nebo materiály.
- Tupé řezné kotouče.
- Řezné kotouče nejsou správně namontovány.
- Zářez do předcházejícího řezu.
- Nedostatečná pozornost při práci.
- Nestabilní postoj.

Elektrická bezpečnost



Vždy zkontrolujte, zda se napájecí napětí sítě shoduje s napájecím napětím na výkonovém štítku.

- Nepoužívejte tento stroj, je-li poškozen jeho napájecí kabel nebo síťová zásuvka.
- Používejte pouze prodlužovací kabely, které jsou vhodné pro příkon tohoto nářadí a které mají minimální průřez 1,5 mm². Budete-li používat prodlužovací kabel na cívce, vždy odmotejte celý kabel.

2. INFORMACE O ZAŘÍZENÍ

Určené použití

Vaše drážkovací fréзка je určena pro vytváření drážek ve zdivu. Toto nářadí je vhodné pro použití v pravé ruce.

TECHNICKÉ ÚDAJE

Model č.	WC502AC / S_WC502AC / S2_WC502AC
Napájecí napětí	230 V
Frekvence sítě	50 Hz
Příkon	1 700 W
Otáčky naprázdno	4 000 min ⁻¹
Šířka drážky	14/19/29 mm
Hloubka drážky	5–40 mm
Řezný kotouč	
Průměr:	150 mm
Průměr upínacího otvoru:	22,2 mm
Závít hřídele	M12
Třída ochrany	IP 20
Hmotnost	5,1 kg
Akustický tlak L _{PA}	85,3 dB(A)
Akustický výkon L _{WA}	96,3 dB(A)
Odchyłka (K)	3 dB(A)
Vibrace (hlavní rukojeť)	7,214 m/s ²
Vibrace (přídavná rukojeť)	5,843 m/s ²
Odchyłka (K)	1,5 m/s ²



Používejte ochranu sluchu.

Úroveň vibrací

Deklarovaná úroveň vibrací uvedená v tomto návodu byla měřena v souladu se standardní zkušební metodou předepsanou normou EN 60745. Tato úroveň vibrací může být použita pro srovnání jednotlivých nářadí mezi sebou a také při předběžném posouzení působících vibrací při používání nářadí při uvedených aplikacích.

- Použití tohoto nářadí pro jiné aplikace nebo s odlišným nebo špatně udržovaným příslušenstvím může značně zvýšit působení vibrací.
- Doba, kdy je nářadí vypnuto nebo kdy je v chodu, ale aktuálně nevykonává žádnou práci, může působení vibrací značně zmírnit.

Chraňte se před působením vibrací prováděním řádné údržby tohoto nářadí i jeho příslušenství, udržujte ruce v teple a provádějte práci správným způsobem.

POPIS

Čísla v následujícím textu odkazují na obrázky na stranách 2 až 5.

1. Spínač zapnuto/vypnuto
2. Odjišťovací tlačítko
3. Upínací šroub hloubky drážky
4. Měřítka hloubky drážky
5. Zajišťovací tlačítko hřídele
6. Kryt
7. Základna
8. Vodicí kladka
9. Přípojka pro odsávání prachu
10. Hlavní rukojeť
11. Přídavná rukojeť
12. Šrouby s hlavou s vnitřním šestihranem
13. Šestihanný klíč
14. Hřídel
15. Vnější příruba
16. Klíč na přírubu
17. Řezný kotouč
18. Distanční kroužky
19. Řezný kotouč
20. Objímka hřídele
21. Vnitřní příruba
22. Adaptér pro odsávání prachu
23. Laser
24. Spínač zapnuto/vypnuto pro laser
25. Prostor pro uložení akumulátoru

3. SESTAVENÍ

Před sestavením nářadí vždy vypněte a odpojte zástrčku napájecího kabelu od síťové zásuvky.

Výměna řezných kotoučů (obr. B-D)

Poškozené nebo opotřebované řezné kotouče musí být okamžitě vyměněny.



- Používejte pouze ostré a nepoškozené řezné kotouče.
- Používejte pouze řezné kotouče, které jsou vhodné pro materiál, s jakým budete pracovat.
- Používejte pouze řezné kotouče s maximálními povolenými otáčkami, která jsou shodná nebo která překračují maximální otáčky nářadí bez zatížení.
- Používejte pouze diamantové řezné kotouče, které jsou vhodné pro suché řezání.

- Vždy provádějte výměnu obou řezných kotoučů současně.
- Nikdy se nepokoušejte sejmut kryt.

- Pokládejte toto nářadí na stabilní povrch.
- Povolte šrouby s hlavou s vnitřním šestihranem (12) pomocí šestihanného klíče (13).
- Povolte upínací šroub (3) a spusťte základnu (7).
- Sejměte kryt (6).
- Držte stisknuto tlačítko zajištění hřídele (5) aby se hřídel (14) nemohl pohybovat.
- Povolte vnější přírubu (15) pomocí klíče na přírubu (16). Provádějte povolování otáčením ve směru pohybu hodinových ručiček. Při utahování provádějte otáčení proti směru pohybu hodinových ručiček.
- Sejměte starý řezný kotouč (17), distanční kroužky (18), starý řezný kotouč (19), objímku hřídele (20) a vnitřní přírubu (21).
- Je-li to nutné, očistěte přírubu (15 a 21).
- Namontujte vnitřní přírubu (21), objímku hřídele (20), nový řezný kotouč (19), distanční kroužky (18) a nový řezný kotouč (17).
- Pevně utáhněte vnější přírubu (15) pomocí klíče na přírubu (16).
- Uvolněte blokovací tlačítko hřídele (5).
- Namontujte kryt (6).
- Zvedněte základnu (7) a utáhněte upínací šroub (3).
- Pevně utáhněte šrouby s hlavou s vnitřním šestihranem (12) pomocí šestihanného klíče (13).

4. POUŽITÍ**Nastavení šířky drážky (obr. B-E)**

Šířka drážky může být nastavena pomocí distančních kroužků mezi řeznými kotouči. Počet distančních kroužků mezi řeznými kotouči určuje šířku drážky.



- Nenastavujte šířku drážky během použití nářadí.
 - Mezi řezné kotouče vždy namontujte alespoň jeden distanční kroužek.
- Určete šířku drážky.
 - Namontujte distanční kroužky (18) kolem řezných kotoučů (17 a 19) v požadovaném množství. Viz část „Výměna řezných kotoučů“.

Nastavení hloubky drážky (obr. A a F)

Hloubka drážky může být nastavena v rozsahu od 5 do 40 mm. Tato hloubka drážky může být odečítána na měřítku (4).



Nenastavujte hloubku drážky během použití nářadí.

- Povolte upínací šroub (3).
- Nakloňte základnu pily (7) do požadované polohy. Nastavte hloubku drážky přibližně o 3 mm hlubší, než je požadovaná hloubka, abyste kompenzovali případné nerovnosti povrchu stěny.
- Utáhněte upínací šroub (3).

Zapnutí a vypnutí (obr. A)

- Chcete-li nářadí zapnout, držte stisknuto zajišťovací tlačítko (2) a potom současně stiskněte spínač zapnuto/vypnuto (1).
- Chcete-li nářadí vypnout, uvolněte spínač zapnuto/vypnuto (1).

Použití laseru (obr. A)

- Chcete-li zapnout laser (23), stiskněte spínač zapnuto/vypnuto (24).
- Chcete-li laser (23) vypnout, uvolněte spínač zapnuto/vypnuto (24).

Ochrana proti přetížení

Tento stroj je vybaven ochranou proti přetížení, která automaticky vypne toto nářadí, dojde-li k jeho přetížení.

- Vypněte nářadí.
- Vyjměte nářadí z obrobku.
- Zapněte nářadí.
- Nechejte toto nářadí v chodu naprázdno zhruba 1 minutu, abyste umožnili jeho vychladnutí.

Odsávání prachu (obr. G)

Používejte toto nářadí pouze v takovém případě, kdy je připojen k vysavači, který je schválen pro provoz s kamenným prachem. Zařízení pro odsávání prachu musí být vhodné pro materiál, jaký budete řezat. Při práci s toxickými materiály nebo na místech, kde vzniká toxický prach, používejte speciální odsávací zařízení.



- *Nikdy nepoužívejte vysavače určené pro domácnosti. Používání vysavače určeného úklid domácnosti může snadno poškodit vaše zdraví i vysavač.*
- *Vždy používejte adaptér pro odsávání prachu.*
- *Ujistěte se, zda je hadice vysavače pevně připojena k adaptéru pro odsávání prachu.*
- *Dojde-li k poruše odsávacího zařízení, okamžitě zastavte práci, odpojte napájecí kabel nářadí od zásuvky a pokuste se vyřešit vzniklý problém.*
- Zasuňte adaptér pro odsávací zařízení (22) do spojky pro odsávání prachu (9).
- Připojte hadici vysavače k adaptéru pro odsávací zařízení (22).

Rady pro optimální použití

- Nakreslete si čáry, které budou určovat směr, jakým budou vedeny řezné kotouče.
- Držte toto nářadí oběma rukama. Držte druhou ruku na přidavné rukojeti (11).
- Nastavte šířku drážky.
- Proveďte jeden z následujících kroků:
 - Přiložte nářadí na stěnu a nastavte hloubku drážky (doporučeno). Toto nářadí je umístěno na stěně a řezné kotouče budou zavedeny do stěny, aby bylo usnadněno nastavení hloubky drážky.
 - Nastavte hloubku drážky a zajedte s nářadím do stěny.
- Umístěte toto nářadí s vodící kladkou (8) na stěnu. Zajistěte, aby byly řezné kotouče srovnány s nakreslenými čarami na stěně.
- Nastavte hloubku drážky.
- Zapněte nářadí.
- Počkejte, dokud nářadí nedosáhne maximálních otáček.
- Pomalu vedte nářadí podél nakreslených čar směrem shora dolů a pevně přitlačujte kladku (8) na stěnu (obr. H).
- Nevyvíjejte na toto nářadí příliš velký tlak. Nechejte nářadí pracovat jeho vlastním tempem.
- Před odložením nářadí vypněte a počkejte, dokud nedojde k úplnému zastavení jeho pracovního příslušenství.

5. ÚDRŽBA



Před prováděním jakéhokoli úkonu údržby toto nářadí vždy odpojte od napájecího zdroje.

Pravidelně čistěte kryt zařízení jemným hadříkem, ideálně po každém použití. Ujistěte se, že nejsou větrací otvory zaneseny prachem nebo jinými nečistotami. Odolnější nečistoty odstraňte pomocí jemného hadříku navlhčeného v mýdlové pěně. Ne-používejte žádná rozpouštědla, jako je benzín, líh, čpavek atd. Takové chemické látky mohou způsobit poškození dílů z umělé hmoty.

Výměna příslušenství (obr. I)

Tento laser používá 2 baterie typu AAA. Přestane-li tento laser pracovat, jeho baterie musí být vyměněny.

- Sejměte kryt (26) z úložného prostoru pro baterie (25).
- Vyjměte staré baterie (27).
- Vložte do nářadí nové baterie (27).
- Nasaďte kryt (27) na úložný prostor pro baterie (25).

OCHRANA ŽIVOTNÍHO PROSTŘEDÍ



Poškozená a likvidovaná elektrická nebo elektronická zařízení musí být odevzdána ve sběrných dvorech, které jsou určeny pro tento účel.

Pouze pro země EU

Nevyhazujte elektrická nářadí do běžného domácího odpadu. Podle evropské směrnice 2012/19/EC týkající se likvidace elektrických a elektronických zařízení a její implementace do vnitrostátního práva, musí být nepoužívaná elektrická nářadí shromažďována odděleně a jejich likvidace musí být provedena tak, aby nedošlo k ohrožení životního prostředí.

ZÁRUKA

Výrobky VONROC jsou vyvíjeny v souladu s požadavky norem na nejvyšší kvalitu a je zaručeno, že po dobu platné záruky, která začíná běžet dnem původního nákupu, nebudou na těchto výrobcích žádné vady materiálu, ani vady způsobené špatným dílenským zpracováním. Dojde-li během tohoto

období k závadě v důsledku vady materiálu nebo dílenského zpracování, kontaktujte přímo firmu VONROC.

Z této záruky jsou vyloučeny následující případy:

- Opravy nebo úpravy tohoto zařízení byly provedeny nebo byly provedeny pokusy o jejich provedení v neautorizovaných servisech.
- Běžné opotřebování.
- Toto zařízení bylo nesprávně použito, nevhodně použito nebo nebyla prováděna jeho správná údržba.
- Byly použity neoriginální náhradní díly.

Výše uvedené představuje jedinou záruku poskytovanou společností, ať už výslovnou nebo předpokládanou. Neexistují žádné další záruky, výslovně ani nebo předpokládané, které přesahují rámec zde uvedeného, včetně předpokládaných záruk prodejnosti a vhodnosti pro určitý účel. VONROC v žádném případě neodpovídá za jakékoliv náhodné nebo následné škody. Opravné prostředky prodejců se omezují výhradně na opravu nebo výměnu nevyhovujících jednotek nebo dílů.

Na tomto výrobku a v tomto návodu mohou být prováděny změny. Technické údaje mohou být změněny bez předchozího upozornění.

1. GÜVENLİK TALİMATLARI

Ekteki güvenlik uyarılarını, ilave güvenlik uyarılarını ve talimatları okuyun. Güvenlik uyarılarını ve talimatları izlememek elektrik çarpması, yangın ve/veya ciddi yaralanma ile sonuçlanabilir. Güvenlik uyarılarını ve talimatları gelecekte referans olması için saklayın.

Aşağıdaki semboller kullanıcı kılavuzunda veya ürün üzerinde kullanılmaktadır:



Kullanıcı kılavuzunu okuyun.



Bedensel yaralanma riski.



Elektrik çarpması riski



Şebeke kablosu temizlik ve bakım sırasında hasar görürse şebeke fişini hemen prizden çıkarın.



*Koruyucu gözlük takın.
Duyma koruması takın.*



Bir toz maskesi takın.



Uçan nesne riski. Seyircileri iş alanından uzak tutun.



Sınıf II makine - Çift yalıtım - Topraklı fişe ihtiyacınız yoktur.



Lazer radyasyonu uyarısı.



Ürünü uygun olmayan kaplara atmayın.



Ürün, Avrupa yönergelerinde belirtilen, yürürlükteki güvenlik standartlarına uygundur.

GENEL ELEKTRİK ALET GÜVENLİK UYARILARI



UYARI Tüm güvenlik uyarılarını ve tüm talimatları okuyun. Uyarılara uyulmadı ve talimatlar elektrik çarpmasına, yangına ve/veya ciddi yaralanmalara neden olabilir.

Tüm uyarıları ve talimatları gelecekte başurmak üzere saklayın. Uyarılardaki “elektrikli alet” terimi, şebeke elektriği ile çalışan (kablolu) elektrikli alet veya pil ile çalışan (kablesiz) elektrikli alet anlamına gelir.

1) İş alanı güvenliği

- İş alanını temiz ve aydınlık tutun.** Dağınık veya karanlık bölgeler, kazalara davetiye çıkarır.
- Elektrikli aletleri, yanıcı sıvıların, gazların veya tozun var olduğu patlayıcı atmosferlerde kullanmayın.** Elektrikli aletler, tozu veya dumanları ateşleyebilecek kıvılcımlar oluşturur.
- Bir elektrikli aleti kullanırken, çocukları ve çevredekileri uzak tutun.** Dikkatiniz dağılırsa kontrolü kaybedebilirsiniz.

2) Elektrik güvenliği

- Elektrikli alet fişleri, prize uygun olmalıdır. Fişi, hiçbir şekilde modifiye etmeyin. Topraklı elektrikli aletlerle, herhangi bir fiş adaptörü kullanmayın.** Modifiye edilmemiş fişler ve buna uygun prizler, elektrik çarpması riskini azaltır.
- Borular, radyatörler, ocaklar ve buzdolapları gibi topraklı yüzeylerle temastan kaçının.** Eğer vücudunuz topraklanmışsa, elektrik çarpması riski daha fazla olur.
- Elektrikli aletleri yağmura veya ıslaklığa maruz bırakmayın.** Bir elektrikli alete su girmesi durumunda, elektrik çarpması riski artacaktır.
- Kabloya kötü davranmayın. Kabloyu taşıma amacıyla, elektrikli aleti ya da elektrikli aletin fişini çekmek için kullanmayın. Kabloyu ısıdan, yağdan, keskin kenarlardan ya da hareketli parçalardan uzak tutun.** Hasar görmüş ya da do-laşmış kablolar, elektrik çarpması riskini artırır.
- Bir elektrikli aleti dış mekanlarda kullanırken, dış mekan kullanımına uygun bir uzatma kablosu kullanın.** Dış mekan kullanımına uygun ir kablo kullanıldığında, elektrik çarpması riski azalır.
- Elektrikli aleti nemli bir konumda çalıştırmak kaçınılmazsa, kaçak akım cihazı (RCD) korumalı bir kaynak kullanın.** RCD kullanımı elektrik çarpması riskini azaltır.

3) Kişisel güvenlik

- Elektrikli aleti kullanırken tetikte kalın, ne yaptığınıza dikkat edin ve sağduyulu davranın. Bir elektrikli aleti yorgun olduğunuzda ya da uyuşturucu, alkol veya ilaç etkisindeyken kullanmayın.** Elektrikli aleti kullanırken bir anlık dikkatsizlik ciddi kişisel yaralanmalara neden olabilir.
- Kişisel koruyucu donanım kullanın. Her zaman göz koruması takın.** Uygun durumlar için kullanılan toz maskesi, kaymaz güvenlik ayakkabıları, baret veya kulak tıkacı gibi koruyucu donanımlar, kişisel yaralanma riskini azaltacaktır.

- c) **Kasıtsız çalışmayı önleyin. Bir elektrik kaynağını ve/veya pil takımını bağlamadan, aleti kaldırmadan ya da taşımadan önce elektrikli aletin anahtarının kapalı durumda olduğundan emin olun.** Elektrikli aletleri parmağınız anahtar üzerindeki taşıma veya anahtar açık elektrikli aletleri harekete geçirmek kazalara davetiye çıkarır.
- d) **Elektrikli aleti açık duruma getirmeden önce her türlü ayar anahtarını çıkarın.** Elektrikli aletin dönen bir parçasında kalan bir anahtar, kişisel yaralanmalara neden olabilir.
- e) **Fazla uzanmayın. Ayaklarınızı sağlam basın ve her zaman dengeli olun.** Böylece beklenmeyen durumlarda elektrikli aleti daha iyi kontrol edebilirsiniz.
- f) **Uygun kıyafetler giyin. Bol kıyafetler giymeyin, takılar takmayın. Saçınızı, kıyafetlerinizi ve eldivenlerinizi, hareketli parçalardan uzak tutun.** Bol kıyafetler, takılar veya uzun saç, hareketli parçalara takılabilir.
- g) **Eğer cihazlar toz giderme ve toplama tesislerinin bağlantısı için sağlanmışsa, bunların bağlandığından ve düzgün bir şekilde kullanıldığından emin olun.** Toz toplama ile toza ilgili tehlikeleri azaltılabilir.
- h) **Aletlerin sık kullanılmasından edindiğiniz bilgi birikiminin sizi aşırı rehavete sürüklemesine izin vermeyin ve araç güvenliği ilkelerini göz ardı etmeyin.** Dikkatsiz bir hareket, bir saniyeden bile kısa sürede ciddi yaralanmalara neden olabilir.
- 4) Elektrikli alet kullanımı ve bakımı**
- a) **Elektrikli aleti zorlamayın. Uygulamanız için doğru elektrikli aleti kullanın.** Doğru elektrikli alet, tasarım amacına uygun olarak işi daha iyi yapacaktır.
- b) **Eğer anahtarlar açılıp kapatılmıyorsa, elektrikli aleti kullanmayın.** Anahtarla kumanda edilemeyen elektrikli aletler tehlikelidir ve tamir edilmelidir.
- c) **Herhangi bir ayar, aksesuar değişimi ya da depolama işleminden önce elektrikli aletin fişini elektrik kaynağından çıkarın ve/veya pil takımını elektrikli aletten çıkarın.** Bu tür önleyici güvenlik önlemleri, elektrikli aletin kazara çalışma riskini azaltır.
- d) **Boş durumdaki elektrikli aletleri çocukların erişemeyeceği bir yerde muhafaza edin ve elektrikli aletin nasıl çalıştığını ya da bu talimatları bilmeyen kişilerin elektrikli aleti kullanmasına izin vermeyin.** Elektrikli aletler, eğitimsiz kullanıcıların elinde tehlikeli olur.
- e) **Elektrikli aletlerin bakımını yapın. Hatalı ayarlar veya hareketli parçaların bağlanması, parça kırılmaları ve elektrikli aletin çalışmasını etkileyebilecek diğer durumlar için kontrol gerçekleştirin. Eğer herhangi bir hasar varsa, elektrikli alet kullanılmadan önce tamir edilmelidir.** Çoğu kazaya bakımı iyi yapılmayan elektrikli aletler neden olur.
- f) **Kesme aletlerini keskin ve temiz tutun.** Bakımı iyi yapılan ve keskin kenarlara sahip kesme aletlerinde donmalar daha az yaşanır ve kontrol edilmeleri daha kolay olur.
- g) **Elektrikli aleti, aksesuarlarını ve torna kalemlelerini bu talimatlara uygun olarak kullanın, çalışma koşullarını ve gerçekleştirilecek olan işi dikkate alın.** Elektrikli aletin kullanım amacı dışında kullanılması, tehlikeli durumlarla sonuçlanabilir.
- h) **Tutamakları ve tutma yerlerini kuru, temiz ve yağdan arındırılmış şekilde muhafaza edin.** Kaygan tutamaklar ve tutma yerleri, beklenmedik durumlarda aletin güvenli şekilde taşınmasına ve kontrol edilmesine izin vermez.
- 5) Pili alet kullanımı ve bakımı**
- a) **Yalnızca üretici tarafından belirtilen şarj aletiyle şarj edin.** Bir türde pil takımı için uygun bir şarj cihazı, başka bir pil takımı ile kullanıldığında yangın riski oluşturabilir.
- b) **Elektrikli aletleri yalnızca özel olarak belirlenmiş pil takımlarıyla kullanın.** Başka pil takımlarının kullanımı yaralanma ve yangın riski oluşturabilir.
- c) **Pil takımı kullanılmadığı zamanda, atışlar, bozuk paralar, anahtarlar, çiviler, vidalar veya diğer küçük metal nesnelere gibi bir uçtan diğerine bir bağlantı yapabilecek diğer metal nesnelere uzak tutun.** Pil uçlarını birbirine kısa devre yaptırmak yanıklara veya yangına neden olabilir.
- d) **Bozulma durumlarında pilden sıvı çıkabilir; temastan kaçının. Kazara temas gerçekleşirse, suyla yıkayın. Sıvı gözlerle temas ederse ayrıca tıbbi yardım isteyin.** Pilden çıkan sıvı tahrişe veya yanıklara neden olabilir.
- e) **Hasarlı veya üzerinde değişiklik yapılmış bir batarya veya aleti kullanmayın.** Hasarlı veya üzerinde değişiklik yapılmış bataryalar, yangın, patlama ya da yaralanma riskiyle sonuçlanan beklenmedik davranışlar sergileyebilir.
- f) **Batarya veya aleti ateşe veya aşırı sıcaklığa maruz bırakmayın.** Ateşe veya 130 °C üzeri sı-

çaklıklara maruz kalması patlamaya yol açabilir. NOT Sıcaklık birimi olarak kullanılan „130 °C“ yerine „265 °F“ kullanılabilir.

- g) **Tüm şarj talimatlarına uyun ve batarya veya aleti talimatlarda belirtilen sıcaklık aralığının dışındaki ortamlarda şarj etmeyin.** Yanlış şekilde veya belirtilen aralığın dışındaki sıcaklıklarda şarj etmek bataryayı zarar verebilir ve yangın riskini artırabilir.

6) Servis

- a) **Elektrikli aletinizin servis işlemlerini, yalnızca aynı yedek parçaları kullanan vasıflı bir tamircinin yapmasını sağlayın.** Bu, elektrikli aletin güvenliğinin korunmasını sağlayacaktır.
- b) **Hasarlı bataryalara asla kendiniz bakım yapmaya çalışmayın.** Bataryadaki bakım işlemleri sadece üretici veya yetkili servisler tarafından yapılmalıdır.

KANAL AÇMA MAKİNESİ İÇİN İLAVE GÜVENLİK UYARILARI

- **Lazer radyasyonu uyarısı.** Lazer sınıfı 2, P maks.: <1 mW, λ: 650 nm, EN 60825-1:2014. Doğrudan lazer ışınına veya ortaya çıktığı çıkış yerine bakmayın. Lazer ışınına asla insanlara, hayvanlara veya yansıtıcı yüzeylere doğrultmayın. Kısa süreli göz teması bile göz hasarına neden olabilir. Lazer çıkış açıklığının optik aletlerin (örneğin büyüteç, büyüteçler ve benzeri) kullanılmasıyla incelenmesi, göze zarar gelmesi riskini doğurur. Sınıf 2 bir lazerle çalışırken, göz koruması kullanımına dikkatli olarak düzenlemelere uyun.
- Asbest içeren malzemelerle çalışmayın. Asbest kanserojen olarak kabul edilir.
- Koruyucu gözlük, kulaklık takın ve örneğin eldiven, güvenlik ayakkabıları vb. gibi diğer güvenlik önlemlerini alın.
- Kullanmadan önce duvardaki tüm çivileri ve diğer metal nesnelere çıkarın.
- Duvarlarda kanal açarken gömülü boru ve kabloları dikkat edin.
- Makineyi daima iki elle tutun.
- Kesinlikle makineyi sipersiz kullanmayın.
- Kullanmadan önce kesme disklerini kontrol edin. Eğilmiş, kırık veya başka bir şekilde hasar görmüş kesme disklerini kullanmayın.
- Kesme disklerinin uygun şekilde monte edildiğinden emin olun.
- Kesme disklerinin doğru yönde döndüğünden

emin olun.

- Makineyi, kesme diskleri yukarı veya yana bakacak şekilde kullanmayın.
- Sadece makineyle kullanılmaya uygun kesme diskleri kullanın.
- Sadece uygun ebatlara sahip kesme diskleri kullanın.
- Kesme disklerinden başka aksesuarları kullanmayın.
- Makineyi, kesme disklerinin maksimum kanal derinliğini aşan bir kanal derinliği gerektiğinde kullanmayın.
- Ellerinizi dönen parçalara temas etmediğinden emin olun.
- Daima doğru çalışma yönünde çalışın (tabandaki göstergeye bakın).
- Kesme disklerini monte ettikten sonra, makineyi güvenli bir yerde yüksüz çalıştırın. Makine kuvvetlice titirse, hemen makineyi kapatın, ana fişi çekin ve sorunu çözmeye çalışın.
- Makine durduktan sonra kesme disklerinin kısa bir süre dönmeye devam ettiğine dikkat edin. Kesme disklerini kendi başınıza hareketsiz hale getirmeye çalışmayın.
- Makineyi asla kapatmadan bir masa veya tezgaha koymayın.

Geri tepme

Geri tepme, kesme diskleri beklenmedik bir şekilde bir nesneye dokunduğunda kesme disklerinin yukarı ve aşağı hareket etmesidir. Makineyi kullanım sırasında iki elle sıkıca tutun. Tüm dikkatinizi iş üzerinde yoğunlaştırın.

Geri tepme genellikle şunlardan kaynaklanır:

- dönen kesme disklerinin istemeden sert nesnelere veya materyallere dokunması;
- körelmiş kesme diskleri;
- düzgün takılmamış kesme diskleri;
- önceden yapılmış bir kesim üzerinden kesim yapma;
- çalışırken dikkatsiz davranma;
- dengesiz duruş.

Elektrik güvenliği



Daima güç kaynağı geriliminin anma değerleri plakasındaki gerilime karşılık gelip gelmediğini kontrol edin.

- Güç kaynağı kablo veya şebeke fişi hasar görmüşse makineyi kullanmayın.

- Sadece makinenin güç değerleri açısından uygun, minimum 1,5 mm2 kalınlığa sahip uzatma kabloları kullanın. Bir uzatma kablosu makarası kullanıyorsanız kabloyu daima tam olarak açın.

2. MAKİNE BİLGİSİ

Kullanım amacı

Kanal açma makinesi duvarlarda kanal yapmak için tasarlanmıştır. Makine sadece sağ elle kullanım için uygundur.

TEKNİK SPESİFİKASYONLAR

Model No.	WC502AC / S_WC502AC / S2_WC502AC
Şebeke voltajı	230V~
Şebeke frekansı	50Hz
Güç girişi	1700W
Yüksüz hız	4000 dak ⁻¹
Kanal genişliği	14/19/29mm
Kanal derinliği	5-40mm
Kesme diski	
Çap:	150mm
İç çap:	22,2mm
Dingil dişi	M12
Koruma sınıfı	IP20
Ağırlık	5,1kg
Ses basıncı L _{PA}	85,3 dB(A)
Akustik güç L _{WA}	96,3 dB(A)
Belirsizlik (K)	3 dB(A)
Titreşim (ana tutamak)	7,214 m/s ²
Titreşim (ilave tutamak)	5,843 m/s ²
Belirsizlik (K)	1,5 m/s ²



Duyuma koruması takın.

Vibrasyon seviyesi

Bu talimat kılavuzunda belirtilen vibrasyon emisyon seviyesi EN 60745 içinde verilen bir standart teste uygun olarak ölçülmüştür; bir aleti başka bir aletle karşılaştırmak için ve aleti adı geçen uygulamalar için kullanırken bir ilk maruz kalma değerlendirmesi olarak kullanılabilir

- aleti farklı uygulamalar için veya farklı ya da kötü bakılan aksesuarlarla kullanmak maruz

- kalma seviyesini büyük ölçüde artırabilir
- aletin kapalı olduğu veya çalışıp da gerçekten işi yapmadığı zamanlar maruz kalma seviyesini büyük ölçüde azaltabilir

Aletin ve aksesuarların bakımını yaparak, ellerinizi sıcak tutarak ve çalışma düzenlerinizi organize ederek vibrasyonun etkilerine karşı kendinizi koruyun

AÇIKLAMA

Metindeki numaralar sayfa 2 - 5'teki şemaları işaret etmektedir.

- Açma / kapama düğmesi
- Kilitleme düğmesi
- Kanal derinliği için kilitleme düğmesi
- Kanal derinliği ölçeği
- Mil kilidi düğmesi
- Siper
- Taban
- Kılavuz silindir
- Toz çıkış bağlantısı
- Ana tutamak
- İlave tutamak
- Allen vidaları
- Allen anahtarı
- Mil
- Dış flanş
- Flanş anahtarı
- Kesme diski
- Ara parçaları
- Kesme diski
- Mil kovanı
- İç flanş
- Toz tahliye adaptörü
- Lazer
- Lazer için açma/kapama düğmesi
- Pil bölmesi

3. MONTAJ



Montajdan önce daima makineyi kapatın ve fişini prizden çıkarın.

Kesme disklerinin değiştirilmesi (Şekil B - D)

Aşınmış veya hasar görmüş kesme diskleri derhal değiştirilmelidir.



- Sadece keskin ve hasarsız kesme diskleri kullanın.
- Sadece çalışılacak malzemeye uygun kesme diskleri kullanın.
- Sadece, makinenin maksimum yüksüz hızına eşit veya bu değerin üstünde maksimum izin verilen hızda kesme diskleri kullanın.
- Sadece kuru kesim için uygun olan elmas kesme disklerini kullanın.
- Her iki kesme diskini daima aynı anda değiştirin.
- Asla siperi çıkarmaya kalkışmayın.

- Makineyi dengeli bir zemine koyun.
- Allen vidalarını (12) Allen anahtarı (13) kullanarak gevşetin.
- Kilitleme düğmesini (3) gevşetin ve tabanı indirin (7).
- Siperi (6) çıkartın.
- Mili (14) kilitlemek için mil kilitleme düğmesini (5) basılı tutun.
- Dış flanşı (15) flanş anahtarı (16) kullanarak gevşetin. Gevşetmek için saat yönünde çevirin. Sıkmak için saat yönünün tersine çevirin.
- Eski kesme diskini (17), ara parçaları (18), eski kesme diskini (19), mil kovanını (20) ve iç flanşı (21) çıkarın.
- Gerekirse, flanşları (15 & 21) temizleyin.
- İç flanşı (21), mil kovanını (20), yeni kesme diskini (19), ara parçaları (18) ve yeni kesme diskini (17) takın.
- Dış flanşı (15) flanş anahtarı (16) kullanarak iyice sıkın.
- Mil kilidi düğmesini (5) bırakın.
- Siperi (6) monte edin.
- Tabanı (7) kaldırın ve kilitleme düğmesini (3) sıkın.
- Allen vidalarını (12) Allen anahtarı (13) kullanarak iyice sıkın.

4. ÇALIŞTIRMA

Kanal genişliğinin ayarlanması (Şekil B - E)

Kanal genişliği, kesme diskleri arasındaki ara parçaları kullanılarak ayarlanabilir. Kesme diskleri arasındaki ara parçalarının sayısı, kanal genişliğini belirler.



- Kanal genişliğini kullanım sırasında ayarlamayın.

- Kesme diskleri arasına daima en az bir ara parçası yerleştirin.

- Kanal genişliğini belirleyin.
- Ara parçaları (18) kesme disklerinin etrafına (17 ve 19) gereken sırayla yerleştirin. "Kesme disklerinin değiştirilmesi" bölümüne bakın.

Kanal derinliğinin ayarlanması (Şekil A - F)

Kanal derinliği 5 ve 40 mm arasında değişir. Kanal derinliği ölçekten (4) okunabilir.



Kanal derinliğini kullanım sırasında ayarlamayın.

- Kilitleme düğmesini (3) gevşetin.
- Tabanı (7) gerekli konuma eğin. Duvar yüzeyindeki olası dengesizliği telafi etmek için kanal derinliğini gerekli derinliğin yaklaşık 3 mm altına bir değere ayarlayın.
- Kilitleme düğmesini (3) sıkın.

Açma ve kapama (şekil A)

- Makineyi çalıştırmak için, kilitleme düğmesini (2) basılı tutun ve eş zamanlı olarak açma/kapama düğmesine (1) basın.
- Makineyi kapamak için açma/kapama anahtarını (1) bırakın.

Lazerin kullanılması (Şekil A)

- Lazeri çalıştırmak için açma/kapama düğmesine (24) basın.
- Lazeri kapatmak için açma/kapama düğmesini (24) bırakın.

Aşırı yük koruması

Makine, aşırı yüklendiğinde otomatik olarak makineyi kapatan bir aşırı yük koruma cihazına sahiptir.

- Makineyi kapatın.
- Makineyi iş parçasından çıkarın.
- Makineyi açın.
- Makinenin soğumasını sağlamak için makineyi yaklaşık 1 dakika yüksüz çalıştırın.

Toz tahliyesi (şekil G)

Makineyi yalnızca taş tozu için onaylanmış bir vakum cihazına bağlıyken kullanın. Vakum cihazı, çalışılacak malzemeye uygun olmalıdır. Toksik maddelerle çalışırken veya zehirli tozların ortaya çıktığı yerlerde özel bir vakum cihazı kullanın.



- Kesinlikle ev tipi bir elektrikli süpürge kullanmayın. Ev tipi bir elektrikli süpürge kullanımı hem sağlığınıza hem de elektrikli süpürgeye zarar verebilir.
- Her zaman toz tahliye adaptörünü kullanın.
- Vakum cihazı hortumunun toz tahliye adaptörüne sıkıca bağlandığından emin olun.
- Vakum cihazı bozulursa işi derhal durdurun, makineyi hemen kapatın, ana fişi prizden çekin ve sorunu çözmeye çalışın.

- Toz tahliye adaptörünü (22) toz tahliye bağlantısına (9) takın.
- Vakum cihazının hortumunu toz tahliye adaptörüne (22) bağlayın.

İdeal kullanım için ipuçları

- Kesme disklerinin ilerleyeceği yönü belirlemek için bir çizgi çizin.
- Makineyi iki elle tutun. İkinci elinizi ilave tutamağın (11) üzerinde tutun.
- Kanal genişliğini ayarlayın.
- Aşağıdaki adımlardan birini yerine getirin:
 - Makineyi duvara doğru indirin ve kanal derinliğini ayarlayın (önerilir). Kanal derinliğini daha doğru ayarlamak için makine duvara karşı yerleştirilir ve kesme diskleri duvara indirilir.
 - Kanal derinliğini ayarlayın ve makineyi duvara indirin.
- Makineyi, kılavuz silindire (8) duvara konumlandırın. Kesme disklerinin duvara çizilen çizgilerle aynı hizada olduğundan emin olun.
- Kanal derinliğini ayarlayın.
- Makineyi açın.
- Makine tam hıza ulaşana dek bekleyin.
- Makineyi önceden çizilmiş çizgiler boyunca yukarıdan aşağıya doğru yavaşça hareket ettirin, kılavuz silindiri (8) duvara sıkıca bastırın (şekil H).
- Makine üzerinde çok fazla basınç uygulamayın. İş makinesinin yapmasına izin verin.
- Makineyi kapatın ve makineyi bir kenara koymadan önce makinesinin tamamen durmasını bekleyin.

4. BAKIM



Temizlik ve bakımdan önce her zaman makineyi kapatın ve şebeke fişini şebeke-
den çıkarın.

Makine kaplamalarını yumuşak bir bezle, tercihen her kullanımdan sonra düzenli olarak temizleyin. Havalandırma deliklerinin toz ve kirden arınmış olduğundan emin olun. Çok inatçı kirleri sabun köpüğüyle ıslatılmış yumuşak bir bezle çıkarın. Benzin, alkol, amonyak vs. gibi çözücü maddeleri kullanmayın. Bunlar gibi kimyasallar sentetik bileşenlere zarar verecektir.

Pillerin değiştirilmesi (şek. I)

Lazer 2 adet AAA pil kullanır. Lazer durursa pilleri değiştirmelisiniz.

- Kapağı (26) bataryadan çıkarın bölmesi (25).
- Eski pilleri (27) çıkartın.
- Yeni pilleri (27) yerleştirin.
- Kapağı (27) aküye monte edin bölmesi (25).

ÇEVRE



Arızalı ve/veya atılmış elektrikli veya elektronik ekipmanların uygun geri dönüşüm konumlarında toplanması gerekir.

Yalnızca AT ülkeleri için

Elektrikli aletleri evsel atık olarak atmayın. Atık Elektrikli ve Elektronik Donanım için Avrupa İlkeleri 2012/19/EU'ya ve bunun yerel hukuk çerçevesinde uygulamasına göre, artık kullanılamaz olan elektrikli aletler ayrı olarak toplanmalı ve çevre dostu bir yolla imha edilmelidir.

GARANTİ

VONROC ürünleri yüksek kalite standartları doğrultusunda geliştirilmiştir ve ilk satın alımdan itibaren kanunen belirlenen süre boyunca materyal ve işçilik açısından kusursuz olacağı garanti edilmektedir. Bu süre zarfında, kusurlu materyal ve/veya işçilikten dolayı üründe herhangi bir arıza meydana gelmesi durumunda, doğrudan VONROC iletişim kurun.

Takip eden durumlar bu garanti kapsamı dışındadır:

- Yetkisiz servis merkezleri tarafından yapılan veya yapılmaya teşebbüs edilen onarım ve/veya değişiklikler.
- Normal aşınma ve eskime.
- Cihazın kötü ve yanlış kullanılması veya cihaza yanlış bakım yapılması.
- Orijinal olmayan yedek parçaların kullanılması

Bu, şirket tarafından açık ya da zımni verilmiş tek garantiyi oluşturur. Belirli bir amaç için ticarete elverişlilik ve uygunluğun zımni garantileri dahil dış görünüşünün ötesine uzanan açık veya zımni başka hiçbir garanti yoktur. VONROC herhangi bir arıza veya dolaylı zarardan hiçbir halükarda sorumlu olmayacaktır. Bayilerin getireceği çözümler uygunsuz birimlerin veya parçaların onarımı veya değiştirilmesiyle sınırlı olacaktır.

**Ürün ve kullanıcı kılavuzu değişikliğe tabidir.
Spesifikasyonlar başka bir uyarı olmaksızın değiştirilebilir.**



DECLARATION OF CONFORMITY
WC502AC/ S_WC502AC/ S2_WC502AC - WALL CHASER

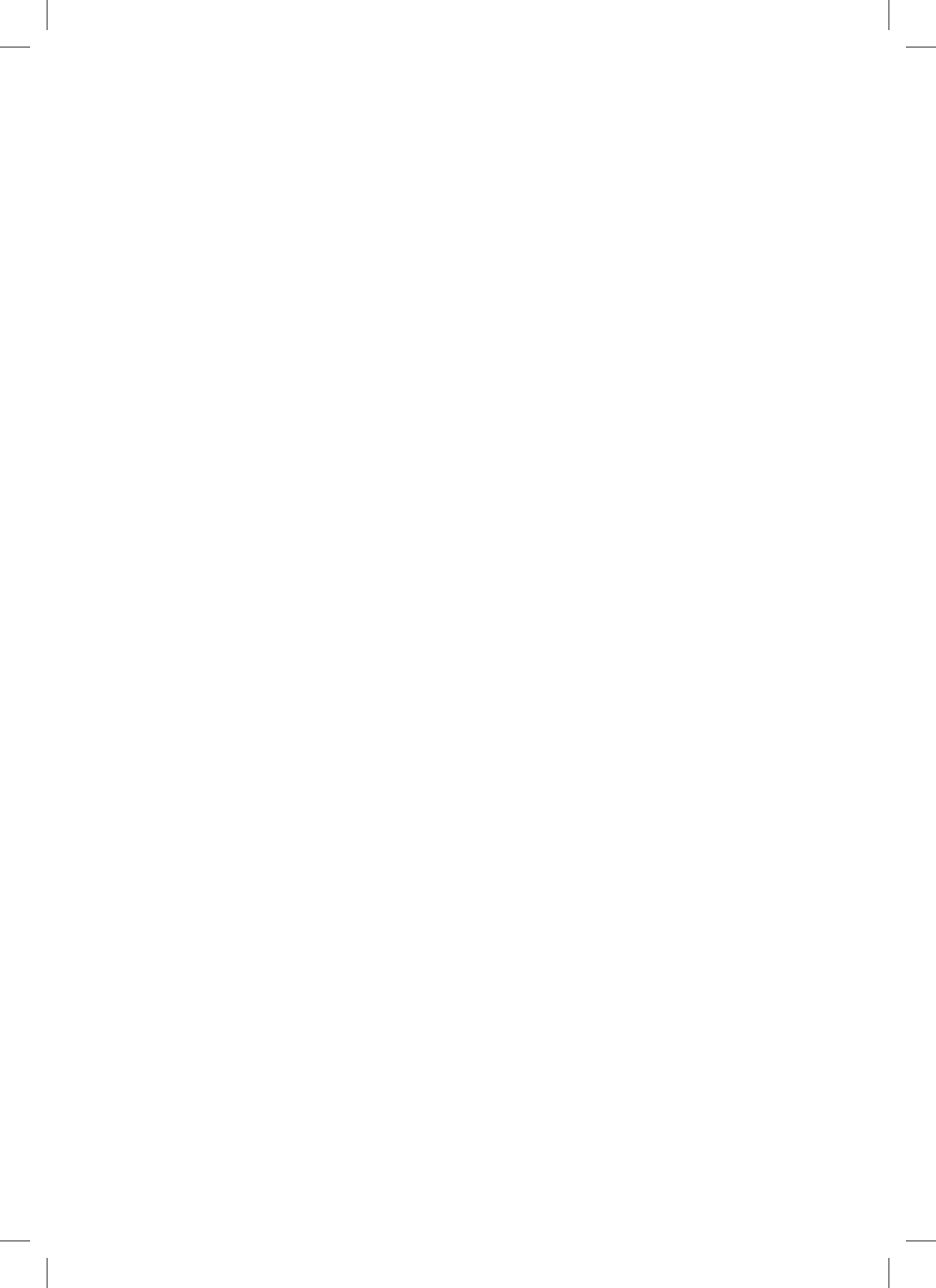
- (EN) We declare under our sole responsibility that this product is in conformity with directive 2011/65/EU of the European parliament and of the council of 8 June on the restriction of the use of certain hazardous substances in electrical and electronic equipment is in conformity and accordance with the following standards and regulations:
- (DE) Der Hersteller erklärt eigenverantwortlich, dass dieses Produkt der Direktive 2011/65/ EU des Europäischen Parlaments und des Rats vom 8. Juni 2011 über die Einschränkung der Anwendung von bestimmten gefährlichen Stoffen in elektrischen und elektronischen Geräten entspricht. den folgenden Standards und Vorschriften entspricht:
- (NL) Wij verklaren onder onze volledige verantwoordelijkheid dat dit product voldoet aan de conform Richtlijn 2011/65/EU van het Europees Parlement en de Raad van 8 juni 2011 betreffende beperking van het gebruik van bepaalde gevaarlijke stoffen in elektrische en elektronische apparatuur en in overeenstemming is met de volgende standaarden en reguleringen:
- (FR) Nous déclarons sous notre seule responsabilité que ce produit est conforme aux standards et directives suivants: est conforme à la Directive 2011/65/EU du Parlement Européen et du Conseil du 8 juin 2011 concernant la limitation d'usage de certaines substances dangereuses dans l'équipement électrique et électronique.
- (ES) Declaramos bajo nuestra exclusiva responsabilidad que este producto cumple con las siguientes normas y estándares de funcionamiento: se encuentra conforme con la Directiva 2011/65/UE del Parlamento Europeo y del Consejo de 8 de junio de 2011 sobre la restricción del uso de determinadas sustancias peligrosas en los equipos eléctricos y electrónicos.
- (PT) Declaramos, sob nossa exclusiva responsabilidade, que este produto está em conformidade com a directiva 2011/65/UE do Parlamento Europeu e com a do conselho de 8 de Junho sobre a restrição da utilização de determinadas substâncias perigosas em equipamento eléctrico e electrónico está em conformidade e de acordo com as seguintes normas e regulamentações:
- (IT) Dichiariamo, sotto la nostra responsabilità, che questo prodotto è conforme alle normative e ai regolamenti seguenti: è conforme alla Direttiva 2011/65/UE del Parlamento Europeo e del Consiglio dell'8 giugno 2011 sulla limitazione dell'uso di determinate sostanze pericolose nelle apparecchiature elettriche ed elettroniche.
- (SV) Vi försäkrar under vårt eget ansvar att denna produkt överensstämmer med Europaparlamentets och rådets direktiv 2011/65/EU av den 8 juni om begränsning av användningen av vissa farliga ämnen i elektrisk och elektronisk utrustning och är i överensstämmelse och enlighet med följande standarder och föreskrifter:
- (DA) Vi erklærer under eget ansvar, at dette produkt er i overensstemmelse med Europa-Parlamentets og Rådets direktiv 2011/65/EU af 8. juni om begrænsning af brugen af visse farlige stoffer i elektrisk og elektronisk udstyr og overholder og er i overensstemmelse med følgende standarder og regler:
- (HU) Kizárólagos felelősségünk tudatában kijelentjük, hogy ez a termék megfelel az Európai Parlamentnek és a Tanácsnak az egyes veszélyes anyagok elektromos és elektronikus berendezéseken való alkalmazásának korlátozásáról szóló 2011/65/EU irányelvének (2011. június 8.), valamint a következő szabványoknak és jogszabályoknak:
- (CS) Prohlašujeme na svou výhradní odpovědnost, že tento výrobek splňuje požadavky směrnice 2011/65/EU Evropské rady a parlamentu ze dne 8. června, která se týká omezení používání určitých nebezpečných látek v elektrických a elektronických zařízeních, a splňuje také všechny požadavky následujících norem a předpisů:
- (PL) Deklarujemy na własną odpowiedzialność, że ten produkt spełnia wymogi zawarte w następujących normach i przepisach: jest zgodny z Dyrektywą 2011/65/UE Parlamentu Europejskiego i Rady z dnia 8 czerwca 2011 r. w sprawie ograniczenia stosowania niektórych niebezpiecznych substancji w sprzęcie elektrycznym i elektronicznym.
- (RO) Declaram sub responsabilitatea exclusivă că acest produs este în conformitate cu Directiva 2011/65/EU a Parlamentului și a Consiliului European din 8 iunie privind restricționarea utilizării anumitor substanțe periculoase în echipamentele electrice și electronice și în conformitate cu următoarele standarde și reglementări:
- (TR) Tek sorumlusu biz olmak üzere bu ürünün Avrupa Parlamentosunun 2011/65/EU ve 8 Haziran 2011 tarihli konseyin elektrikli ve elektronik ekipmanlarda belirlenmiş tehlikeli malzeme kullanımının kısıtlanması hakkındaki talimatları ile birlikte aşağıda belirtilen standart ve yönergelere uygun ve uyumlu olduğunu beyan ederiz:

EN 55014-1, EN 55014-2, EN 60745-1, EN 60745-2-22, EN 61000-3-2, EN 61000-3-3, 2014/30/EU, 2006/42/EC, 2012/19/EU, 2011/65/EU

Zwolle, 01-03-2022

H.G.F Rosberg
CEO

VONROC - Lingenstraat 6 - 8028 PM Zwolle - The Netherlands









VONROC®
BUILD YOUR FUTURE

©2022 VONROC
WWW.VONROC.COM

2204-01