



VONROC®

BUILD YOUR FUTURE

ORBITAL SHEET SANDER OS501AC

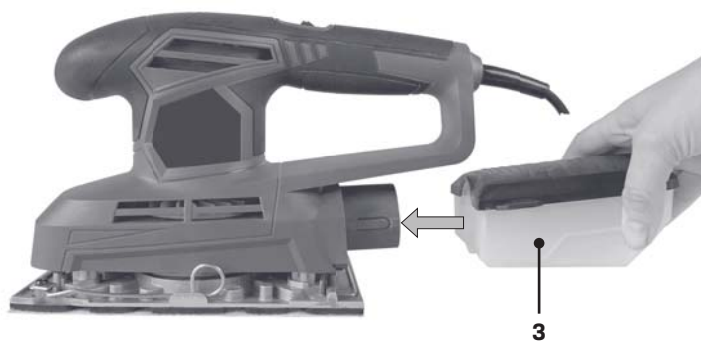


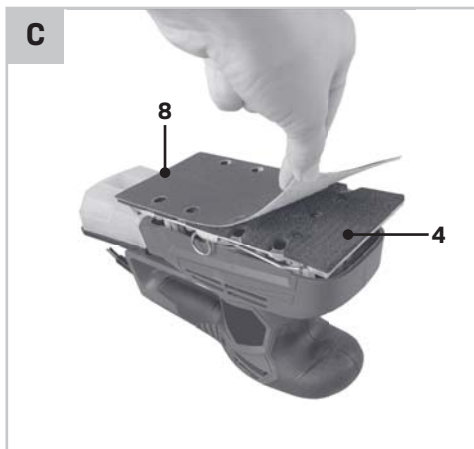
EN	Original Instructions	04
DE	Übersetzung Der Originalbetriebsanleitung	09
NL	Vertaling van de oorspronkelijke gebruiksaanwijzing	14
FR	Traduction de la notice originale	20
ES	Traducción del manual original	25
IT	Traduzione delle istruzioni originali	31
SV	Översättning av bruksanvisning i original	36
DA	Oversættelse af den originale brugsanvisning	40
PL	Tłumaczenie instrukcji oryginalnej	45
RO	Traducere a instrucțiunilor originale	51
PT	Tradução do manual original	56
HU	Az eredeti használati útmutató fordítása	61
CS	Překlad původního návodu k používání	67
TR	Orijinal talimatların çevirisi	72
BG	Превод на оригиналното ръководство за потребителя	77

A



B





1. SAFETY INSTRUCTIONS

Read the enclosed safety warnings, the additional safety warnings and the instructions. Failure to follow the safety warnings and the instructions may result in electric shock, fire and/or serious injury. Save the safety warnings and the instructions for future reference.

The following symbols are used in the user manual or on the product:



Read the user manual.



Denotes risk of personal injury, loss of life or damage to the tool in case of non-observance of the instructions in this manual.



Risk of electric shock.



*Wear safety goggles.
Wear hearing protection.*



Wear a dust mask.



*Class II machine - Double insulation -
You don't need any earthed plug.*



The product is in accordance with the applicable safety standards in the European directives.

GENERAL POWER TOOL SAFETY WARNINGS



WARNING! Read all safety warnings and all instructions. Failure to follow the warnings and instructions may result in electric shock, fire and/or serious injury.

Save all warnings and instructions for future reference.

The term “power tool” in the warnings refers to your mains-operated (corded) power tool or battery-operated (cordless) power tool.

1) Work area safety

- a) **Keep the work area clean and well lit.** Cluttered or dark areas invite accidents.
- b) **Do not operate power tools in explosive atmospheres, such as in the presence of flammable liquids, gases or dust.** Power tools create sparks which may ignite the dust or fumes.

- c) **Keep children and bystanders away while operating a power tool.** Distractions can cause you to lose control.

2) Electrical safety

- a) **Power tool plugs must match the outlet. Never modify the plug in any way. Do not use any adapter plugs with earthed (grounded) power tools.** Unmodified plugs and matching outlets will reduce risk of electric shock.
- b) **Avoid body contact with earthed or grounded surfaces, such as pipes, radiators, ranges and refrigerators.** There is an increased risk of electric shock if your body is earthed or grounded.
- c) **Do not expose power tools to rain or wet conditions.** Water entering a power tool will increase the risk of electric shock.
- d) **Do not abuse the cord. Never use the cord for carrying, pulling or unplugging the power tool. Keep cord away from heat, oil, sharp edges or moving parts.** Damaged or entangled cords increase the risk of electric shock.
- e) **When operating a power tool outdoors, use an extension cord suitable for outdoor use.** Use of a cord suitable for outdoor use reduces the risk of electric shock.
- f) **If operating a power tool in a damp location is unavoidable, use a residual current device (RCD) protected supply.** Use of an RCD reduces the risk of electric shock.

3) Personal safety

- a) **Stay alert, watch what you are doing and use common sense when operating a power tool. Do not use a power tool while you are tired or under the influence of drugs, alcohol or medication.** A moment of inattention while operating power tools may result in serious personal injury.
- b) **Use personal protective equipment. Always wear eye protection.** Protective equipment such as dust mask, non-skid safety shoes, hard hat, or hearing protection used for appropriate conditions will reduce personal injuries.
- c) **Prevent unintentional starting. Ensure the switch is in the off-position before connecting to power source and/or battery pack, picking up or carrying the tool.** Carrying power tools with your finger on the switch or energising power tools that have the switch on invites accidents.
- d) **Remove any adjusting key or wrench before turning the power tool on.** A wrench or a key left

attached to a rotating part of the power tool may result in personal injury.

- e) **Do not overreach. Keep proper footing and balance at all times.** This enables better control of the power tool in unexpected situations.
 - f) **Dress properly. Do not wear loose clothing or jewellery. Keep your hair, clothing and gloves away from moving parts.** Loose clothes, jewellery or long hair can be caught in moving parts.
 - g) **If devices are provided for the connection of dust extraction and collection facilities, ensure these are connected and properly used.** Use of dust collection can reduce dust related hazards.
 - h) **Do not let familiarity gained from frequent use of tools allow you to become complacent and ignore tool safety principles.** A careless action can cause severe injury within a fraction of a second.
- 4) Power tool use and care**
- a) **Do not force the power tool. Use the correct power tool for your application.** The correct power tool will do the job better and safer at the rate for which it was designed.
 - b) **Do not use the power tool if the switch does not turn it on and off.** Any power tool that cannot be controlled with the switch is dangerous and must be repaired.
 - c) **Disconnect the plug from the power source and/or the battery pack from the power tool before making any adjustments, changing accessories, or storing power tools.** Such preventive safety measures reduce the risk of starting the power tool accidentally.
 - d) **Store idle power tools out of the reach of children and do not allow persons unfamiliar with the power tool or these instructions to operate the power tool.** Power tools are dangerous in the hands of untrained users.
 - e) **Maintain power tools. Check for misalignment or binding of moving parts, breakage of parts and any other condition that may affect the power tool's operation. If damaged, have the power tool repaired before use.** Many accidents are caused by poorly maintained power tools.
 - f) **Keep cutting tools sharp and clean.** Properly maintained cutting tools with sharp cutting edges are less likely to bind and are easier to control.
 - g) **Use the power tool, accessories and tool bits etc. in accordance with these instructions, tak-**

ing into account the working conditions and the work to be performed. Use of the power tool for operations different from those intended could result in a hazardous situation.

- h) **Keep handles and grasping surfaces dry, clean and free from oil and grease.** Slippery handles and grasping surfaces do not allow for safe handling and control of the tool in unexpected situations.
- 5) Battery tool use and care**
- a) **Recharge only with the charger specified by the manufacturer.** A charger that is suitable for one type of battery pack may create a risk of fire when used with another battery pack.
 - b) **Use power tools only with specifically designated battery packs.** Use of any other battery packs may create a risk of injury and fire.
 - c) **When battery pack is not in use, keep it away from other metal objects, like paper clips, coins, keys, nails, screws or other small metal objects that can make a connection from one terminal to another.** Shorting the battery terminals together may cause burns or a fire.
 - d) **Under abusive conditions, liquid may be ejected from the battery; avoid contact. If contact accidentally occurs, flush with water. If liquid contacts eyes, additionally seek medical help.** Liquid ejected from the battery may cause irritation or burns.
 - e) **Do not use a battery pack or tool that is damaged or modified.** Damaged or modified batteries may exhibit unpredictable behaviour resulting in fire, explosion or risk of injury.
 - f) **Do not expose a battery pack or tool to fire or excessive temperature.** Exposure to fire or temperature above 130 °C may cause explosion. NOTE The temperature „130 °C“ can be replaced by the temperature „265 °F“.
 - g) **Follow all charging instructions and do not charge the battery pack or tool outside the temperature range specified in the instructions.** Charging improperly or at temperatures outside the specified range may damage the battery and increase the risk of fire.
- 6) Service**
- a) **Have your power tool serviced by a qualified repair person using only identical replacement parts.** This will ensure that the safety of the power tool is maintained.

- b) **Never service damaged battery packs.** Service of battery packs should only be performed by the manufacturer or authorized service providers.

ADDITIONAL SAFETY INSTRUCTIONS

- Do not use oversized sanding sheets, but follow the manufacturer's specifications for the size of sanding sheets. Sanding sheets which project over the sanding pad may cause injuries as well as block and rip the sanding sheets or cause a kickback.
- It is not recommended to sand lead paint. Lead paint should be removed by a specialist only.
- Do not work on materials which release hazardous substances (e.g. asbestos). Take precautions if hazardous, combustible or explosive dust is likely to occur. Wear protective dust mask. Use dust extraction system.
- Do not work materials containing asbestos. Asbestos is considered carcinogenic.
- Do not use the machine for sanding magnesium workpieces.
- Wear safety goggles. Wear hearing protection. If necessary, use other protective means, such as safety gloves, safety shoes, etc.
- Hold the machine by the insulated gripping surfaces where the accessory may contact hidden wiring or the mains cable. If the accessory contacts a 'live' wire, the exposed metal parts of the machine can also become 'live'. Risk of electric shock.
- Be very careful when sanding painted surfaces.
- Before use, remove all nails and other metal objects from the workpiece.
- Make sure that the workpiece is properly supported or fixed.
- Only use sanding paper that is suitable for use with the machine.
- Only use sanding paper with the correct dimensions. Make sure that the sanding paper is properly mounted.
- Inspect the sanding paper before each use. Do not use sanding paper that is worn because of prolonged use.
- Never put the machine down on a table or a workbench before it has been switched off.

Electrical safety



Always check that the voltage of the power supply corresponds to the voltage on the rating plate label.

- Do not use the machine if the mains cable or the mains plug is damaged.
- Only use extension cables that are suitable for the power rating of the machine with a minimum thickness of 1.5 mm². If you use an extension cable reel, always fully unroll the cable.

2. MACHINE INFORMATION

Intended use

The machine is designed for sanding wood, plastics and metal. This machine is suitable only for dry sanding. The machine is not suitable for processing objects containing asbestos. Improper use may damage the tool.

TECHNICAL SPECIFICATIONS

Model No.	OS501AC
Voltage	230-240V ~
Frequency	50 Hz
Power input	240W
No-load speed	6000-11000/min
Sanding pad diameter	92x187 mm
Weight	1.7 kg
Sound pressure level L_{PA}	73+3 dB(A)
Acoustic power level L_{WA}	84+3 dB(A)
Vibration	1.77+1.5 m/s ²



Wear hearing protection.

Vibration level

The vibration emission level stated in this instruction manual has been measured in accordance with a standardized test given in EN 62841; it may be used to compare one tool with another and as a preliminary assessment of exposure to vibration when using the tool for the applications mentioned.

- Using the tool for different applications, or with different or poorly maintained accessories, may significantly increase the exposure level.
- The times when the tool is switched off or when it is running but not actually doing the job, may significantly reduce the exposure level.

Protect yourself against the effects of vibration by maintaining the tool and its accessories, keeping your hands warm, and organizing your work patterns.

DESCRIPTION

The numbers in the text refer to the diagrams on page 2.

1. On/off switch
2. Main grip
3. Dust box
4. Sanding pad
5. Sanding paper clamp
6. Auxiliary grip
7. Speed adjustment wheel
8. Sanding paper

3. ASSEMBLY



Before assembly, always switch off the machine and remove the mains plug from the mains.

Connecting the dust box (Fig. B)

It is highly recommended to use the machine with the dust box (3), ensuring optimal dust collection.

- Slide the slot in the dust box over the notch on the rear dust outlet.
- To ensure the dust box is inserted securely, push the dust box until a click-noise can be heard.

Note: The dust box should be emptied when the box is half full to maintain optimal dust collection.

Mounting and removing sanding paper (Fig. C, D)

The sander is suitable for sanding paper both with and without hook and loop fastening system.

Mounting and removing sanding paper with hook and loop fastening

- Hold the machine on its side or upside down, as shown on Fig. C
- Mount sanding paper (8) with the required grain size onto the sanding pad (4). Make sure that the perforation in the sanding paper (8) corresponds with the perforation on the sanding pad (4).
- To remove the sanding paper (8), simply pull the sanding paper from the sanding pad (4).

Mounting and removing sanding paper without hook and loop fastening

- Open the sanding paper clamps (5).
- Mount sanding paper (8) with the required grain size onto the sanding pad (4).
- Fold the sanding paper (8) at both ends around the edges of the sanding pad (4).

- Close the sanding paper clamps (5) one by one. Make sure that the ends of the sanding paper (8) are clamped.
- To remove the sanding paper (8), first open the sanding paper clamps (5) and afterwards remove the sanding paper (8) from the sanding pad (4).

Note: Use coarse sanding paper for sanding rough, uneven surfaces. Use medium sanding paper for removing the remaining scratches from the coarse sanding paper. Use fine sanding paper for finishing surfaces.

4. OPERATION

Switching on and off (Fig. A)

- To switch on the machine, press the on/off switch (1) into position I.
- To switch off the machine, press the on/off switch (1) into position 0.

Setting the speed (Fig. A)

The speed adjustment wheel is used for setting the speed. The speed adjustment wheel can be set to 7 positions. The ideal speed depends on the required grain size and on the material to be worked.



Do not set the speed during use.

Hints for optimum use

- Firmly hold the machine with both hands.
- Switch on the machine.
- Place the sanding pad with sanding paper on the workpiece.
- Slowly move the machine over the workpiece, firmly pressing the sanding pad against the workpiece.
- Do not apply too much pressure on the machine. Let the machine do the work.

5. MAINTENANCE



Always disconnect the machine from the main power supply before carrying out any maintenance work.

Clean the machine casings regularly with a soft cloth, preferably after each use. Make sure that the ventilation openings are free of dust and dirt. Remove very persistent dirt using a soft cloth moistened with soapsuds. Do not use any solvents

such as gasoline, alcohol, ammonia, etc. Chemicals such as these will damage the synthetic components.

The product and the user manual are subject to change. Specifications can be changed without further notice.

ENVIRONMENT



Faulty and/or discarded electrical or electronic apparatus have to be collected at the appropriate recycling locations.

Only for EC countries

Do not dispose of power tools into domestic waste. According to the European Guideline 2012/19/EC for Waste Electrical and Electronic Equipment and its implementation into national right, power tools that are no longer usable must be collected separately and disposed of in an environmentally friendly way.

WARRANTY

VONROC products are developed to the highest quality standards and are guaranteed free of defects in both materials and workmanship for the period lawfully stipulated starting from the date of original purchase. Should the product develop any failure during this period due to defective material and/or workmanship then contact VONROC directly.

The following circumstances are excluded from this guarantee:

- Repairs and or alterations have been made or attempted to the machine by unauthorized service centers;
- Normal wear and tear;
- The tool has been abused, misused or improperly maintained;
- Non-original spare parts have been used.

This constitutes the sole warranty made by company either expressed or implied. There are no other warranties expressed or implied which extend beyond the face hereof, herein, including the implied warranties of merchantability and fitness for a particular purpose. In no event shall VONROC be liable for any incidental or consequential damages. The dealers remedies shall be limited to repair or replacement of nonconforming units or parts.

1. SICHERHEITSANWEISUNGEN

Lesen Sie die beiliegenden Sicherheitsanweisungen, die zusätzlichen Sicherheitsanweisungen sowie diese Bedienungsanleitung sorgfältig durch.

Bei Nichtbeachten der Sicherheitsanweisungen und der Bedienungsanleitung kann es zu einem Stromschlag, einem Brand und/oder schweren Verletzungen kommen. Bewahren Sie die Sicherheitsanweisungen und die Bedienungsanleitung zur künftigen Bezugnahme sicher auf.

Folgende Symbole werden im Benutzerhandbuch oder auf dem Produkt verwendet:



Lesen Sie das Benutzerhandbuch.



Lebens- und Verletzungsgefahr und Gefahr von Beschädigungen am Werkzeug/Gerät bei Nichteinhaltung der Anweisungen in dieser Bedienungsanleitung.



Gefahr eines Stromschlags.



Schutzbrille und Gehörschutz tragen.



Tragen Sie eine Staubmaske.



Gerät der Schutzklasse II – schutzisoliert – kein Schutzkontakt erforderlich.



Das Produkt entspricht den geltenden Sicherheitsnormen der europäischen Richtlinien.

ALLGEMEINE SICHERHEITSHINWEISE



ACHTUNG! Lesen Sie alle Sicherheitshinweise und Anweisungen. Fehler bei der Einhaltung der nachstehend aufgeführten Anweisungen können elektrischen Schlag, Brand und/oder schwere Verletzungen verursachen.

Bewahren Sie diese Anweisungen gut auf.

Der nachfolgend verwendete Begriff „Elektrowerkzeug“ bezieht sich auf netzbetriebene Elektrowerkzeuge (mit Netzkabel) und auf akkubetriebene Elektrowerkzeuge (ohne Netzkabel).

1) Arbeitsplatz

- Halten Sie Ihren Arbeitsbereich sauber und aufgeräumt.** Unordnung und unbeleuchtete Arbeitsbereiche können zu Unfällen führen.

- Arbeiten Sie mit dem Gerät nicht in explosionsgefährdeter Umgebung, in der sich brennbare Flüssigkeiten, Gase oder Staub befinden.** Elektrowerkzeuge erzeugen Funken, die den Staub oder die Dämpfe entzünden können.
- Halten Sie Kinder und andere Personen während der Benutzung des Elektrowerkzeugs fern.** Bei Ablenkung können Sie die Kontrolle über das Gerät verlieren.

2) Elektrische Sicherheit

- Der Anschlussstecker des Gerätes muss in die Steckdose passen. Der Netzstecker darf in keener Weise verändert werden. Verwenden Sie keine Adapterstecker gemeinsam mit schutzgeerdeten Geräten. Unveränderte Netzstecker und passende Steckdosen verringern das Risiko eines elektrischen Schlages.**
- Vermeiden Sie Körperkontakt mit geerdeten Oberflächen, wie von Rohren, Heizungen, Herden und Kühlschränken.** Es besteht ein erhöhtes Risiko durch elektrischen Schlag, wenn Ihr Körper geerdet ist.
- Halten Sie das Gerät von Regen oder Nässe fern.** Das Eindringen von Wasser in ein Elektrogerät erhöht das Risiko eines elektrischen Schlages.
- Zweckentfremden Sie das Netzkabel nicht, um das Gerät zu tragen, aufzuhängen oder um den Netzstecker aus der Steckdose zu ziehen. Halten Sie das Netzkabel fern von Hitze, Öl, scharfen Kanten oder sich bewegenden Geräteteilen.** Beschädigte oder verwickelte Netzkabel erhöhen das Risiko eines elektrischen Schlages.
- Wenn Sie mit einem Elektrowerkzeug im Freien arbeiten, verwenden Sie nur Verlängerungskabel, die auch für den Außenbereich zugelassen sind.** Die Anwendung eines für den Außenbereich geeigneten Verlängerungskabels verringert das Risiko eines elektrischen Schlages
- Wenn sich Arbeiten mit einem Elektrowerkzeug in feuchten Umgebungen nicht vermeiden lassen, verwenden Sie eine Stromversorgung mit einer Fehlerstrom-Schutzeinrichtung (RCD).** Durch die Verwendung einer RCD wird die Gefahr eines elektrischen Schlages verringert.

3) Sicherheit von Personen

- Seien Sie aufmerksam. Achten Sie darauf, was Sie tun, und gehen Sie mit Vernunft an die Arbeit mit einem Elektrowerkzeug. Benutzen Sie das Gerät nicht, wenn Sie müde sind**

- oder unter dem Einfluss von Drogen, Alkohol oder Medikamenten stehen.** Ein Moment der Unachtsamkeit beim Gebrauch des Gerätes kann zu ernsthaften Verletzungen führen.
- b) **Tragen Sie persönliche Schutzausrüstung und immer eine Schutzbrille.** Das Tragen persönlicher Schutzausrüstung, wie Staubmaske, rutschfeste Sicherheitsschuhe, Schutzhelm oder Gehörschutz, je nach Art und Einsatz des Elektrowerkzeuges, verringert das Risiko von Verletzungen.
 - c) **Vermeiden Sie eine unbeabsichtigte Inbetriebnahme. Vergewissern Sie sich, dass der Schalter in der Position „AUS(0)“ ist, bevor Sie den Netzstecker in die Steckdose stecken.** Wenn Sie beim Tragen des Geräts den Finger am Schalter haben oder das Gerät eingeschaltet an die Stromversorgung anschließen, kann dies zu Unfällen führen.
 - d) **Entfernen Sie Einstellwerkzeuge oder Schraubenschlüssel, bevor Sie das Gerät einschalten.** Ein Werkzeug oder Schlüssel, der sich in einem drehenden Geräteteil befindet, kann zu Verletzungen führen.
 - e) **Überschätzen Sie sich nicht. Sorgen Sie für einen sicheren Stand und halten Sie jederzeit das Gleichgewicht.** Dadurch können Sie das Gerät in unerwarteten Situationen besser kontrollieren.
 - f) **Tragen Sie geeignete Kleidung. Tragen Sie keine weite Kleidung oder Schmuck. Halten Sie Haare, Kleidung und Handschuhe fern von sich bewegenden Teilen.** Lockere Kleidung, Schmuck oder lange Haare können von sich bewegenden Teilen erfasst werden.
 - g) **Wenn Staubabsaug- und -auffangeinrichtungen montiert werden können, vergewissern Sie sich, dass diese angeschlossen sind und richtig verwendet werden.** Das Verwenden dieser Einrichtungen verringert Gefährdungen durch Staub.
 - h) **Achten Sie darauf, nicht durch häufigen Gebrauch von Werkzeugen nachlässig zu werden und die Prinzipien zum sicheren Umgang mit den Werkzeugen zu ignorieren.** Eine unachtsame Handlung kann innerhalb von Sekundenbruchteilen schwere Verletzungen verursachen.
- 4) **Sorgfältiger Umgang und Gebrauch von Elektrowerkzeugen**
 - a) **Überlasten Sie das Gerät nicht. Verwenden Sie für Ihre Arbeit das dafür bestimmte Elektrowerkzeug.** Mit dem passenden Elektrowerkzeug arbeiten Sie besser und sicherer im angegebenen Leistungsbereich.
 - b) **Benutzen Sie kein Elektrowerkzeug, dessen Schalter defekt ist.** Ein Elektrowerkzeug, das sich nicht mehr ein- oder ausschalten lässt, ist gefährlich und muss repariert werden.
 - c) **Ziehen Sie den Netzstecker aus der Steckdose, bevor Sie Geräteeinstellungen vornehmen, Zubehörteile wechseln oder das Gerät weglegen.** Diese Vorsichtsmaßnahme verhindert den unbeabsichtigten Start des Geräts.
 - d) **Bewahren Sie unbenutzte Elektrowerkzeuge außerhalb der Reichweite von Kindern auf. Lassen Sie Personen das Gerät nicht benutzen, die mit diesem nicht vertraut sind oder diese Anweisungen nicht gelesen haben.** Elektrowerkzeuge sind gefährlich, wenn Sie von unerfahrenen Personen benutzt werden.
 - e) **Pflegen Sie das Gerät mit Sorgfalt. Kontrollieren Sie, ob bewegliche Geräteteile einwandfrei funktionieren und nicht klemmen, ob Teile gebrochen oder so beschädigt sind, dass die Funktion des Gerätes beeinträchtigt ist. Lassen Sie beschädigte Teile vor dem Einsatz des Gerätes reparieren.** Viele Unfälle haben ihre Ursache in schlecht gewarteten Elektrowerkzeugen.
 - f) **Halten Sie Schneidwerkzeuge scharf und sauber.** Sorgfältig gepflegte Schneidwerkzeuge mit scharfen Schneidkanten verkleben sich weniger und sind leichter zu führen.
 - g) **Verwenden Sie Elektrowerkzeug, Zubehör, Einsatzwerkzeuge usw. entsprechend diesen Anweisungen und so, wie es für diesen speziellen Gerätetyp vorgeschrieben ist. Berücksichtigen Sie dabei die Arbeitsbedingungen und die auszuführende Tätigkeit.** Der Gebrauch von Elektrowerkzeugen für andere als die vorgesehenen Anwendungen kann zu gefährlichen Situationen führen.
 - h) **Halten Sie Griffe und Greifflächen immer trocken, sauber und frei von Öl und Fett.** Rutschige Griffe und Greifflächen verhindern in unerwarteten Situationen den sicheren Umgang mit dem Werkzeug und die richtige Kontrolle darüber.

5) Umgang mit Akkuwerkzeugen

- a) **Zum Laden ist ausschließlich das vom Hersteller angegebene Ladegerät zu verwenden.** Ein Ladegerät, das für eine Art von Akku geeignet ist, kann bei Verwendung mit einer anderen Art von Akku Brandgefahr verursachen.
 - b) **Elektrowerkzeuge dürfen nur mit speziell dazu bestimmten Akkus verwendet werden,** da bei der Verwendung anderer Akkus Verletzungs- und Brandgefahr entstehen kann.
 - c) **Wenn der Akku nicht in Gebrauch ist, ist er von Büroklammern, Münzen, Schlüssel, Nägel, Schrauben und anderen kleinen Metallobjekten fernzuhalten, die eine Verbindung zwischen den Polen bilden können.** Kurzschließen der Pole kann Brand oder Verbrennungen verursachen.
 - d) **Bei falschem Umgang mit dem Akku kann Flüssigkeit aus dem Akku austreten. Die Berührung dieser Flüssigkeit ist zu vermeiden. Bei Berührung den betroffenen Körperteil mit Wasser abspülen. Bei Berührung der Flüssigkeit mit den Augen muss zusätzlich ärztliche Hilfe gerufen werden.** Die Akkuflüssigkeit kann Reizungen oder Verbrennungen verursachen.
 - e) **Verwenden Sie keinesfalls Akkus und Werkzeuge, die beschädigt oder verändert wurden.** Beschädigte oder veränderte Akkus können ein unvorhersehbares Verhalten zeigen, das zu Feuer, Explosionen oder Verletzungsgefahren führt.
 - f) **Setzen Sie Akkus oder Werkzeuge keinem Feuer oder übermäßigen Temperaturen aus.** Feuer oder Temperaturen über 130 °C können zu Explosionen führen. HINWEIS: Die Temperaturangabe „130 °C“ kann durch die Temperaturangabe „265 °F“ ersetzt werden.
 - g) **Beachten Sie alle Hinweise zum Aufladen und laden Sie Akkus oder Werkzeuge nicht außerhalb der in der Anleitung angegebenen Temperaturbereiche auf.** Unsachgemäßes Aufladen oder Aufladen bei Temperaturen außerhalb des angegebenen Bereichs kann den Akku schädigen und die Brandgefahr erhöhen.
- 6) Service**
- a) **Lassen Sie Ihre Werkzeuge durch einen qualifizierten Reparaturtechniker ausschließlich mit identischen Ersatzteilen warten.** So lässt sich eine gleich bleibende Sicherheit des Elektrowerkzeugs gewährleisten.

- b) **Beschädigte Akkus dürfen keinesfalls gewartet werden.** Die Wartung von Akkus darf nur vom Hersteller oder von Vertragswerkstätten durchgeführt werden.

ZUSÄTZLICHE SICHERHEITSHINWEISE

- Benutzen Sie keine überdimensionierten Schleifblätter, sondern befolgen Sie die Herstellerangaben zur Schleifblattgröße. Schleifblätter, die über den Schleifteller hinausragen, können Verletzungen verursachen sowie zum Blockieren, Zerreißen der Schleifblätter oder zum Rückschlag führen.
- Das Abschleifen von Bleifarben wird nicht empfohlen. Das Entfernen von Bleifarben sollte nur vom Fachmann unternommen werden.
- Keine Materialien bearbeiten, bei denen gesundheitsgefährdende Stoffe freigesetzt werden (z. B. Asbest). Schutzmaßnahmen treffen, wenn gesundheitsschädliche, brennbare oder explosive Stäube entstehen können. Staubschutzmaske tragen. Absauganlagen verwenden.
- Bearbeiten Sie keine asbesthaltigen Materialien. Asbest wird als krebserregend eingestuft.
- Verwenden Sie die Maschine nicht zum Schleifen von Werkstücken aus Magnesium.
- Tragen Sie eine Schutzbrille. Tragen Sie einen Gehörschutz. Verwenden Sie ggf. weitere Schutzmittel wie beispielsweise Schutzhandschuhe, Sicherheitsschuhe, usw.
- Halten Sie die Maschine an den isolierten Griffflächen, falls die Gefahr besteht, dass das Zubehör versteckte Leitungen oder das Netzkabel berühren könnte. Falls das Zubehör einen spannungsführenden Draht berührt, können die freiliegenden Metallteile der Maschine ebenfalls spannungsführend werden. Gefahr eines Stromschlags.
- Gehen Sie beim Schleifen von lackierten Oberflächen äußerst vorsichtig vor.
- Entfernen Sie vor dem Gebrauch alle Nägel und sonstigen Metallgegenstände aus dem Werkstück.
- Vergewissern Sie sich, dass das Werkstück richtig gestützt bzw. fixiert ist.
- Verwenden Sie nur Schleifpapier, das für den Gebrauch mit der Maschine geeignet sind.
- Verwenden Sie nur Schleifpapier mit den richtigen Maßen. Vergewissern Sie sich, dass das Schleifpapier richtig angebracht ist.
- Überprüfen Sie das Schleifpapier vor jedem Gebrauch. Verwenden Sie kein verschlissenes

Schleifpapier, um es dadurch länger verwenden zu können.

- Legen Sie die Maschine niemals auf einem Tisch oder einer Werkbank ab, bevor sie nicht abgeschaltet wurde.

Sicherheit bei Elektrizität



Achten Sie stets darauf, dass die Spannung der Stromversorgung mit der Spannung auf dem Typenschild übereinstimmt.

- Verwenden Sie die Maschine nicht, wenn das Netzkabel oder der Netzstecker beschädigt ist.
- Verwenden Sie nur Verlängerungskabel, die für die Leistungsaufnahme der Maschine geeignet sind und eine Mindestaderstärke von 1,5 mm² haben. Falls Sie eine Kabeltrommel verwenden, rollen Sie das Kabel immer vollständig ab.

2. ANGABEN ZUM WERKZEUG

Verwendungszweck

Diese Maschine ist zum Schleifen von Holz, Kunststoffen und Metall vorgesehen. Diese Maschine ist nur zum Trockenschleifen geeignet. Diese Maschine ist nicht zum Bearbeiten von Gegenständen geeignet, die Asbest enthalten. Eine unsachgemäße Verwendung kann das Werkzeug beschädigen.

TECHNISCHE DATEN

Modellnummer	OS501AC
Netzspannung	230-240V~
Frequenz	50 Hz
Leistung	240 W
Leerlaufdrehzahl	6000-11000/min
Schleifkissen durchmesser	92x187 mm
Gewicht	1,7 kg
Schalldruckpegel L _{PA}	73+3 dB(A)
Schallleistungspegel L _{WA}	84+3 dB(A)
Schwingung	1,77+1,5 m/s ²



Tragen Sie einen Gehörschutz.

Vibrationsintensität

Die in dieser Bedienungsanleitung angegebene Vibrationsintensität wurde mit einem standardisierten Test gemäß EN 62841 gemessen. Anhand dieser Größe

können Werkzeuge miteinander verglichen werden. Außerdem eignet sich diese Größe für eine erste Beurteilung der Vibrationsbelastung bei Verwendung des Werkzeugs für die angegebenen Anwendungszwecke.

- Bei Verwendung des Werkzeugs für andere Anwendungen oder mit anderem oder unzureichend gewartetem Zubehör kann sich die Vibrationsbelastung erheblich erhöhen.
- Wenn das Werkzeug ausgeschaltet ist, oder wenn es eingeschaltet ist, jedoch nicht genutzt wird, kann sich die Vibrationsbelastung erheblich verringern.

Schützen Sie sich vor den Auswirkungen der Vibration durch Wartung des Werkzeugs und des Zubehörs, halten Sie Ihre Hände warm, und organisieren Sie Ihren Arbeitsablauf.

BESCHREIBUNG

Die Buchstaben und Ziffern im folgenden Text verweisen auf die Abbildungen auf Seite 2.

1. EIN/AUS-Schalter
2. Haupthandgriff
3. Staubbehälter
4. Schleifkissen
5. Schleifpapierklemme
6. Zusatzhandgriff
7. Geschwindigkeitseinstellrad
8. Schleifteller

3. MONTAGE



Schalten Sie die Maschine vor der Montage aus und ziehen Sie den Netzstecker aus der Steckdose.

Anschließen des Staubbehälters (Abb. B)

Es wird dringend empfohlen, die Maschine mit dem Staubbehälter (3) zu verwenden, um eine optimale Staubsammlung zu gewährleisten.

- Schieben Sie den Schlitz im Staubbehälter über die Kerbe am hinteren Staubauslass.
- Damit der Staubsammelbehälter sicher eingesetzt wird, drücken Sie darauf, bis ein Klickgeräusch zu hören ist.

Hinweis: Der Staubbehälter sollte entleert werden, wenn er zur Hälfte gefüllt ist, um eine optimale Staubsammlung zu gewährleisten.

Anbringen und Entfernen von Schleifpapier (Abb. C, D)

Das Schleifgerät eignet sich für Schleifpapier mit und ohne Klettverschlussystem.

Anbringen und Entfernen von Schleifpapier mit Klettverschluss

- Halten Sie die Maschine seitlich oder umgedreht, wie in Abb. Fig. C gezeigt.
- Bringen Sie Schleifpapier (8) mit der gewünschten Körnung auf den Schleifkissen (4) an. Stellen Sie sicher, dass die Perforation im Schleifpapier (8) mit der Perforation auf dem Schleifkissen (4) übereinstimmt.
- Um das Schleifpapier (8) zu entfernen, ziehen Sie einfach das Schleifpapier vom Schleifkissen (4) ab.

Anbringen und Entfernen von Schleifpapier ohne Klettverschluss

- Öffnen Sie die Schleifpapierklemmen (5).
- Bringen Sie das Schleifpapier (8) mit der erforderlichen Körnung auf dem Schleifteller (4) an.
- Falten Sie das Schleifpapier (8) an beiden Enden um die Kanten des Schleiftellers (4) herum.
- Schließen Sie die Schleifpapierklemmen (5) nacheinander. Vergewissern Sie sich, dass die Enden des Schleifpapiers (8) eingespannt sind.
- Öffnen Sie zum Entfernen des Schleifpapiers (8) zuerst die Schleifpapierklammern (5) und nehmen Sie dann das Schleifpapier (8) vom Schleifkissen (4) ab.

Hinweis: Verwenden Sie grobes Schleifpapier zum Schleifen von rauen, unebenen Oberflächen. Verwenden Sie mittleres Schleifpapier, um Spuren von grobem Schleifpapier auszugleichen. Verwenden Sie feines Schleifpapier zur Endbearbeitung von Oberflächen.

4. BETRIEB

Ein- und Ausschalten (Abb. A)

- Zum Einschalten der Maschine drücken Sie den Ein-/Ausschalter (1) in Position I.
- Zum Ausschalten der Maschine drücken Sie den Ein-/Ausschalter (1) in Position 0.

Einstellung der Geschwindigkeit (Abb. A)

Das Geschwindigkeitseinstellrad wird zur Einstellung der Geschwindigkeit verwendet. Das

Geschwindigkeitseinstellrad kann auf 7 Positionen eingestellt werden. Die ideale Geschwindigkeit hängt von der erforderlichen Körnung sowie von dem zu bearbeitenden Material ab.



Stellen Sie die Geschwindigkeit nicht während des Gebrauchs ein.

Ratschläge für optimale Arbeitsergebnisse

- Halten Sie die Maschine mit beiden Händen fest.
- Schalten Sie die Maschine ein.
- Legen Sie den Schleifteller mit dem Schleifpapier auf das Werkstück.
- Bewegen Sie die Maschine langsam über das Werkstück, wobei Sie den Schleifteller fest gegen das Werkstück drücken.
- Üben Sie nicht zu viel Druck auf die Maschine aus. Lassen Sie die Maschine die Arbeit verrichten.

5. WARTUNG



Trennen Sie die Maschine vom Netz, wenn Sie am Mechanismus Wartungsarbeiten ausführen müssen.

Reinigen Sie das Werkzeuggehäuse regelmäßig mit einem weichen Lappen, vorzugsweise nach jeder Verwendung. Stellen Sie sicher, dass die Lüftungsöffnungen frei von Staub und Schmutz sind. Entfernen Sie anhaftenden Schmutz mit einem weichen Lappen, der leicht mit Seifenwasser befeuchtet wurde. Verwenden Sie keine Lösungsmittel wie Benzin, Alkohol, Ammoniak usw., da Chemikalien dieser Art die Kunststoffteile beschädigen.

UMWELTSCHUTZ



Schadhafte und/oder zu entsorgende elektrische oder elektronische Werkzeuge und Geräte müssen an den dafür vorgesehenen Recycling-Stellen abgegeben werden.

Nur für EG-Länder

Entsorgen Sie Elektrowerkzeuge nicht über den Hausmüll. Entsprechend der EU-Richtlinie 2012/19/EG über Elektro- und Elektronik-Altgeräte sowie der Umsetzung in nationales Recht müssen Elektrowerkzeuge, die nicht mehr im Gebrauch sind, getrennt gesammelt und umweltschonend entsorgt werden.

GARANTIE

VONROC-Producte werden nach den höchsten Qualitätsstandards entwickelt und sind für den gesetzlich festgelegten Zeitraum, ausgehend von dem ursprünglichen Kaufdatum, garantiert frei von Fehlern in Material und Ausführung. Sollte das Produkt in diesem Zeitraum aufgrund von Material- und/oder Verarbeitungsmängeln Fehler aufweisen, wenden Sie sich bitte direkt an VONROC Kundendienst.

Folgende Umstände sind von der Garantie ausgeschlossen:

- Reparaturen und oder Änderungen an der Maschine, die durch nicht-autorisierte Servicestellen vorgenommen oder versucht wurden.
- Normale Abnutzung und Verschleiß.
- Das Werkzeug wurde übermäßig beansprucht, missbräuchlich verwendet oder falsch gewartet.
- Es wurden keine Original-Ersatzteile verwendet.

Dies stellt die einzige Gewährleistung des Unternehmens dar, sowohl ausdrücklich als auch implizit.

Es gibt keine anderen ausdrücklichen oder stillschweigenden Garantien, die über das hier Genannte hinausgehen, einschließlich der stillschweigenden

Garantien der Marktgängigkeit oder Eignung für einen bestimmten Zweck. In keinem Fall ist VONROC haftbar für Neben- oder Folgeschäden. Die Rechtsmittel des Händlers beschränken sich auf Reparatur oder Ersatz fehlerhafter Einheiten oder Teile.

Am Produkt und am Benutzerhandbuch können Änderungen vorgenommen werden. Die technischen Daten können sich ohne Vorankündigung ändern.

1. VEILIGHEIDSVOORSCHRIFTEN

Lees de bijgesloten veiligheidswaarschuwingen, de aanvullende veiligheidswaarschuwingen en de instructies. Het niet opvolgen van de veiligheidswaarschuwingen kan elektrische schokken, brand en/of ernstig letsel tot gevolg hebben. Bewaar de veiligheidswaarschuwingen en instructies als naslagwerk voor later.

De volgende symbolen worden gebruikt in de gebruikershandleiding of op het product:



Lees de gebruikershandleiding.



Gevaar voor lichamelijk letsel, overlijden of schade aan de machine wanneer de instructies in deze handleiding niet worden opgevolgd.



Gevaar voor elektrische schokken.



Draag oog- en gehoorbescherming.



Draag een stofmasker.



Klasse II apparaat - Dubbel geïsoleerd - Een gearde stekker is niet noodzakelijk.



Het product is in overeenstemming met de van toepassing zijnde veiligheidsnormen in de Europese richtlijnen.

ALGEMENE VEILIGHEIDSVOORSCHRIFTEN



WAARSCHUWING! Lees alle veiligheidswaarschuwingen en alle instructies.

Het niet opvolgen van onderstaande instructies kan leiden tot een elektrische schok, brand en/of ernstig persoonlijk letsel.

Bewaar deze instructies goed.

De term "elektrisch gereedschap" in onderstaande waarschuwingen heeft betrekking op zowel apparatuur met een vaste elektriciteitskabel als op apparatuur met een accu (draadloze apparatuur).

1) Werkgebied

- Zorg voor een opgeruimde en goed verlichte werkomgeving.** Rommelige en donkere werkomgevingen leiden tot ongelukken
- Gebruik elektrisch gereedschap nooit in een omgeving waar explosiegevaar bestaat, zoals**

in de nabijheid van ontvlambare vloeistoffen, gassen, dampen of andere stoffen. Elektrische gereedschappen kunnen vonken veroorzaken, die deze stoffen tot ontbranding kunnen brengen.

- c) **Wanneer u elektrisch gereedschap gebruikt, houd dan kinderen en omstanders op afstand.** Wanneer u wordt afgeleid, kunt u de controle over het gereedschap verliezen.

2) Elektrische veiligheid

- a) **Stekkers van elektrische gereedschappen moeten probleemloos passen op het stopcontact. Breng nooit wijzigingen aan in of aan de stekker. Gebruik geen adapters voor geaarde elektrische gereedschappen.** Standaardstekkers en passende stopcontacten verkleinen de kans op een elektrische schok.
- b) **Voorkom lichamelijk contact met geaarde oppervlakken van bijvoorbeeld pijpen, leidingen, radiatoren, fornuizen en koelkasten.** Wanneer uw lichaam geaard is, wordt de kans op een elektrische schok groter.
- c) **Stel elektrische gereedschappen nooit bloot aan regen of vocht.** Wanneer er water binnendringt in een elektrisch gereedschap, wordt de kans op een elektrische schok groter.
- d) **Gebruik het snoer niet om het elektrisch gereedschap te dragen, te verplaatsen of de stekker uit het stopcontact te trekken. Bescherm het snoer tegen olie, warmte, scherpe randen en bewegende delen.** Beschadigde of vastzittende snoeren vergroten de kans op een elektrische schok.
- e) **Wanneer u elektrische gereedschappen buiten gebruikt, gebruik dan een verlengkabel die geschikt is voor buitengebruik.** Door een kabel te gebruiken die geschikt is voor buitengebruik, wordt de kans op een elektrische schok kleiner.
- f) **Gebruik een aardlekbeveiliging (RCD) als niet te voorkomen is dat een power tool moet worden gebruikt in een vochtige omgeving.** Gebruik van een RCD vermindert het risico van elektrische schokken.

3) Persoonlijke veiligheid

- a) **Blijf altijd alert, kijk goed wat u doet en gebruik uw gezonde verstand wanneer u een elektrisch gereedschap gebruikt. Gebruik geen elektrische gereedschappen wanneer u moe bent, of drugs, alcohol of medicijnen hebt gebruikt.** Eén moment van onachtzaamheid bij

het gebruik van elektrische gereedschappen kan ernstige verwondingen tot gevolg hebben.

- b) **Gebruik persoonlijke beschermingsmiddelen. Draag altijd een veiligheidsbril.** Een gepast gebruik van veiligheidsvoorzieningen, zoals een stof masker, speciale werkschoenen met antislipzolen, een veiligheidshelm en gehoorbescherming verkleinen de kans op persoonlijk letsel.
- c) **Voorkom dat het gereedschap per ongeluk wordt gestart. Zorg dat de schakelaar op de UITpositie staat, voordat u de stekker in het stopcontact steekt.** Draag elektrisch gereedschap nooit met uw vinger op de schakelaar en steek ook nooit de stekker van ingeschakelde elektrische gereedschappen in het stopcontact: dit leidt tot ongelukken.
- d) **Verwijder alle instel en andere sleutels uit het elektrisch gereedschap voordat u hem inschakelt.** Instel en andere sleutels aan een ronddraaiend onderdeel van het elektrisch gereedschap kunnen tot verwondingen leiden.
- e) **Zorg dat u nooit uw evenwicht kunt verliezen; houd altijd twee voeten stevig op de vloer.** Hierdoor kunt u het elektrisch gereedschap in onverwachte situaties beter onder controle houden.
- f) **Zorg dat u geschikte kleding draagt. Draag geen loshangende kleding of sieraden. Houd uw haar, kleding en handschoenen uit de buurt van bewegende delen.** Loshangende kleding, sieraden en lang haar kunnen vast komen te zitten in bewegende delen.
- g) **Wanneer er voorzieningen zijn voor de aansluiting van stofafzuiginstallaties, zorg dan dat ze op de juiste wijze worden aangesloten en gebruikt.** Gebruik van deze voorzieningen vermindert de gevaren die door stof worden veroorzaakt.
- h) **Denk niet dat doordat u gereedschap vaak gebruikt, u wel weet hoe het allemaal werkt en dat u de veiligheidsbeginselen voor het gebruik van het gereedschap wel kunt negeren.** Een onbezonnen actie kan in een fractie van een seconde ernstig letsel tot gevolg hebben.
- 4) **Gebruik en onderhoud van elektrisch gereedschap**
- a) **Oefen geen overmatige kracht uit op elektrisch gereedschap. Gebruik het juiste gereedschap voor uw specifieke toepassing.** Met het juiste elektrische gereedschap voert u de taak beter en veiliger uit wanneer dit op de snelheid gebeurt waarvoor het apparaat is ontworpen.

- b) **Gebruik nooit elektrisch gereedschap waarvan de AAN/UITschakelaar niet werkt.** Ieder elektrisch gereedschap dat niet kan worden in en uitgeschakeld met de schakelaar is gevaarlijk en moet worden gerepareerd.
- c) **Trek de stekker uit het stopcontact voordat u wijzigingen aanbrengt aan elektrische gereedschappen, accessoires verwisselt of het elektrisch gereedschap opbergt.** Wanneer u zich aan deze preventieve veiligheidsmaatregelen houdt, beperkt u het risico dat het gereedschap per ongeluk wordt gestart.
- d) **Berg elektrisch gereedschap dat niet in gebruik is op buiten bereik van kinderen en laat personen die niet bekend zijn met het gereedschap of deze instructies het apparaat niet gebruiken.** Elektrisch gereedschap is gevaarlijk in de handen van ongevoefde gebruikers.
- e) **Zorg voor een goed onderhoud van elektrisch gereedschap. Controleer of bewegende delen op de juiste wijze zijn vastgezet. Controleer ook of er geen onderdelen defect zijn of dat er andere omstandigheden zijn die van invloed kunnen zijn op de werking van het gereedschap. Laat het gereedschap bij beschadigingen repareren vóór gebruik.** Veel ongelukken worden veroorzaakt door slecht onderhoud van het gereedschap.
- f) **Zorg dat snij en zaagwerktuigen scherp en schoon blijven.** Goed onderhouden snij en zaagwerktuigen met scherpe randen zullen minder snel vastlopen en zijn eenvoudiger onder controle te houden.
- g) **Gebruik alle elektrische gereedschappen, accessoires, bitjes etc., zoals aangegeven in deze instructies en op de wijze waarvoor het gereedschap is ontworpen. Houd daarbij rekening met de werkomstandigheden en de uit te voeren taak.** Gebruik van elektrisch gereedschap voor handelingen die afwijken van de taken waarvoor het apparaat is ontworpen kunnen leiden tot gevaarlijke situaties.
- h) **Houd handgrepen en greepoppervlakken droog, schoon en vrij van olie en vet.** Gladde handgrepen en greepoppervlakken maken veilig werken en controle over het gereedschap in onverwachte situaties onmogelijk.
- 5) Gebruik en onderhoud accugereedschap**
- a) **Laad alleen op met de lader die door de fabrikant is gespecificeerd.** Een lader die voor een bepaalde accu geschikt is, kan brand veroorzaken wanneer deze met een andere accu wordt gebruikt.
- b) **Gebruik elektrisch gereedschap alleen met de speciaal hiervoor bedoelde accu's.** Gebruik van andere accu's kan kans op letsel en brand geven.
- c) **Wanneer de accu niet in gebruik is, houd deze dan uit de buurt van andere metalen voorwerpen zoals paperclips, munten, sleutels, spijkers, schroeven of andere kleine metalen voorwerpen die een verbinding tussen twee polen kunnen maken.** Kortsluiting tussen de accupolen kan brandwonden of brand veroorzaken.
- d) **Wanneer de accu niet juist wordt gebruikt, kan er vloeistof uit lopen; raak dit niet aan. Wanneer dit per ongeluk wel gebeurt, spoel dan met water. Wanneer de vloeistof in de ogen komt, moet u een arts raadplegen.** De vloeistof uit de accu kan irritaties of brandwonden veroorzaken.
- e) **Gebruiken niet een accu of gereedschap dat beschadigd is of gemodificeerd.** Beschadigde of gemodificeerde accu's kunnen onvoorspelbaar gedrag vertonen, wat brand, explosie of een risico van letsel met zich meebrengt.
- f) **Stel een accu over het gereedschap niet bloot aan open vuur of een uitzonderlijk hoge temperatuur.** Blootstelling aan vuur of een temperatuur hoger dan 130 °C, kan een explosie veroorzaken. NB De temperatuur van "130 °C" kan worden vervangen door de temperatuur van "265 °F".
- g) **Houd u aan alle instructies voor het laden en laad de accu of het gereedschap niet op buiten het temperatuurbereik dat in de instructies wordt aangeduid.** Op een onjuiste wijze laden of laden bij temperaturen buiten het aangeduide bereik kan de accu beschadigen en het risico van brand doen toenemen.
- 6) Service**
- a) **Laat uw gereedschap onderhouden door een gekwalificeerde onderhoudstechnicus die alleen gebruikmaakt van identieke vervangingsonderdelen.** Dit zorgt ervoor dat de veiligheid van de powertool intact blijft.
- b) **Voer nooit servicewerkzaamheden uit aan beschadigde accu's.** Alleen de fabrikant of geautoriseerde service-providers mogen servicewerkzaamheden aan accu's uitvoeren.

AANVULLENDE VEILIGHEIDSWAARSCHUWINGEN

- Gebruik geen schuurbladen met te grote afmetingen, maar houd u aan de voorschriften van de fabrikant voor de maten van schuurbladen. Schuurbladen die over de rand van de steunschijf uitsteken, kunnen verwondingen veroorzaken en kunnen tot blokkeren, scheuren van de schuurbladen of terugslag leiden.
- Het afschuren van loodverf wordt afgeraden. Het verwijderen van loodverf mag alleen door een vakman gebeuren.
- Bewerk geen materialen waarbij voor de gezondheid gevaarlijke stoffen (zoals asbest) vrijkomen. Tref veiligheidsmaatregelen wanneer er stoffen kunnen ontstaan die schadelijk voor de gezondheid, brandbaar of explosief zijn. Draag stofmasker! Gebruik een afzuiginstallatie.
- Bewerk geen materialen die asbest bevatten. Asbest wordt als kankerverwekkend beschouwd.
- Gebruik de machine niet voor het schuren van magnesium werkstukken.
- Draag een veiligheidsbril. Draag gehoorbescherming. Gebruik indien nodig andere beschermingsmiddelen, zoals veiligheidshandschoenen, veiligheidsschoenen, etc.
- Houd de machine vast bij de geïsoleerde oppervlakken op plekken waar het accessoire in contact kan komen met verborgen bedrading of het netsnoer. Indien het accessoire in contact komt met een onder spanning staande draad, kunnen de blootgestelde metalen delen van de machine ook onder spanning komen. Gevaar voor elektrische schok.
- Wees uiterst voorzichtig bij het schuren van geverfde oppervlakken.
- Verwijder voor gebruik alle spijkers en andere metalen voorwerpen uit het werkstuk.
- Zorg ervoor dat het werkstuk correct wordt ondersteund of vastgezet.
- Gebruik uitsluitend schuurpapier dat geschikt is voor gebruik met de machine.
- Gebruik uitsluitend schuurpapier met de juiste afmetingen. Zorg ervoor dat het schuurpapier correct is gemonteerd.
- Controleer het schuurpapier voor ieder gebruik. Gebruik geen schuurpapier dat door langdurig gebruik is versleten.
- Plaats de machine nooit op een tafel of een werkbank voordat deze uitgeschakeld is.

Elektrische veiligheid



Controleer altijd of de spanning van de voedingsstoevoer overeenkomt met de spanning op het typeplaatje.

- Gebruik de machine niet indien het netsnoer of de netstekker zijn beschadigd.
- Gebruik uitsluitend verlengkabels die geschikt zijn voor het vermogen van de machine met een minimale dikte van 1,5 mm². Indien u een verlengkabelhaspel gebruikt, rol dan altijd de kabel volledig uit.

2. TECHNISCHE INFORMATIE

Bedoeld gebruik

De machine is ontworpen voor het schuren van hout, kunststoffen en metaal. Deze machine is uitsluitend geschikt voor droog schuren. De machine is niet geschikt voor verwerking van voorwerpen die asbest bevatten. Onjuist gebruik kan het gereedschap beschadigen.

TECHNISCHE SPECIFICATIES

Modelnr.	OS501AC
Spanning	230-240V~
Frequentie	50 Hz
Vermogen	240 W
Toerental onbelast	6000-11000/min
Schuurkussen diameter	92x187 mm
Gewicht	1,7 kg
Geluidsdruk L _{PA}	73+3 dB(A)
Geluidsvermogen L _{WA}	84+3 dB(A)
Vibratie	1,77+1,5 m/s ²



Draag gehoorbescherming.

Trillingsniveau

Het trillingsemissieniveau, dat in deze gebruiksaanwijzing wordt vermeld, is gemeten in overeenstemming met een gestandaardiseerde test volgens EN 62841; deze mag worden gebruikt om twee machines met elkaar te vergelijken en als voorlopige beoordeling van de blootstelling aan trilling bij gebruik van de machine voor de vermelde toepassingen.

- Het gebruik van de machine voor andere toepassingen, of met andere of slecht onderhoud

den accessoires, kan het blootstellingsniveau aanzienlijk verhogen.

- Wanneer de machine is uitgeschakeld of wanneer deze loopt maar geen werk verricht, kan dit het blootstellingsniveau aanzienlijk reduceren.

Bescherm uzelf tegen de gevolgen van trilling door de machine en de accessoires te onderhouden, uw handen warm te houden en uw werkwijze te organiseren.

BESCHRIJVING

De nummers in de tekst verwijzen naar de diagrammen op pagina 2.

1. Schakelaar Aan / Uit
2. Hoofdhandgreep
3. Stofopvangbox
4. Schuurkussen
5. Schuurpapierklem
6. Extra handgreep
7. Instelwiel toerental
8. Schuurpapier

3. ASSEMBLAGE



Schakel voor assemblage altijd de machine uit en verwijder de netstekker uit het stopcontact.

De stofopvangbox aansluiten (Afb. B)

Het wordt ten zeerste aanbevolen de machine te gebruiken met de stofopvangbox (3), zodat het stof optimaal wordt opgevangen.

- Schuif de sleuf in de stofopvangbox over de nok van de stofuitgang aan de achterzijde.
- Om ervoor te zorgen dat de stofcontainer goed vastzit, moet u de container aanduwen tot u een klik hoort.

NB.: De stofopvangbox moet worden geleegd wanneer deze half vol is, zodat de stofopvang optimaal blijft werken.

Schuurpapier plaatsen en verwijderen (Afb. C, D)

De schuurmachine is geschikt voor schuurpapier met en zonder klittenband.

Schuurpapier met klittenband plaatsen en verwijderen

- Houd de machine op z'n zij of ondersteboven, zoals in Afb. C wordt getoond

- Plaats schuurpapier (8) met de vereiste korrel op het schuurkussen (4). Controleer dat de perforatie in het schuurpapier (8) uitkomt op de perforatie op het schuurkussen (4).
- U kunt het schuurpapier (8) verwijderen door het eenvoudig van het schuurkussen (4) te trekken.

Schuurpapier zonder klittenband plaatsen en verwijderen

- Open de schuurpapierklemmen (5).
- Monteer schuurpapier (8) met de gewenste korrelgrootte op de schuurzool (4).
- Vouw het schuurpapier (8) aan beide uiteinden om de randen van de schuurzool (4).
- Sluit de schuurpapierklemmen (5) één voor één. Zorg ervoor dat de uiteinden van het schuurpapier (8) zijn vastgeklemd.
- Om het schuurpapier (8) te verwijderen opent u de schuurpapier klemmen (5) en verwijderd u het schuurpapier (8) van het schuurkussen (4).

NB.: Gebruik grof schuurpapier voor het schuren van ruwe, ongelijke oppervlakken. Gebruik schuurpapier met een gemiddelde korrel voor het verwijderen van de krassen die achterblijven van het grove schuurpapier. Gebruik fijn schuurpapier voor het afwerken van oppervlakken.

4. BEDIENING

In-/uitschakelen (Afb. A)

- Schakel de machine in door de Aan/Uit-schakelaar (1) in de stand I te drukken.
- Schakel het apparaat uit door op de Aan/Uit-schakelaar (1) in de stand 0 te drukken.

Instellen van de snelheid (fig. A)

Het instelwiel voor het toerental wordt gebruikt voor het instellen van de snelheid. Het instelwiel voor het toerental kan in 7 posities worden ingesteld. De ideale snelheid is afhankelijk van de gewenste korrelgrootte en van het te bewerken materiaal.



Stel de snelheid niet in tijdens gebruik.

Aanwijzingen voor optimaal gebruik

- Houd de machine stevig met beide handen vast.
- Schakel de machine in.
- Plaats de schuurzool met schuurpapier op het werkstuk.

- Beweeg de machine langzaam over het werkstuk, waarbij de schuurzool stevig tegen het werkstuk wordt gedrukt.
- Oefen niet te veel druk uit op de machine. Laat de machine het werk doen.

- Normale slijtage.
- De machine is misbruikt, verkeerd gebruikt of slecht onderhouden.
- Er zijn niet-originele reserveonderdelen gebruikt

5. ONDERHOUD



Zorg dat de machine niet onder spanning staat wanneer onderhoudswerkzaamheden aan het mechaniek worden uitgevoerd.

Reinig de machinebehuizing regelmatig met een zachte doek, bij voorkeur iedere keer na gebruik. Zorg dat de ventilatiesleuven vrij van stof en vuil zijn. Gebruik bij hardnekkig vuil een zachte doek bevochtigd met zeepwater. Gebruik geen oplosmiddelen als benzine, alcohol, ammonia, etc. Dergelijke stoffen beschadigen de kunststof onderdelen.

Dit vormt de enige garantie opgesteld door het bedrijf zowel expliciet als impliciet. Er bestaan geen andere garanties expliciet of impliciet welke verder gaan dan deze garantie, inclusief impliciete garanties van verkoopbaarheid en geschiktheid voor bepaalde doeleinden. In geen enkel geval kan VONROC aansprakelijk worden gesteld voor incidentele schade of gevolgschade. Reparaties van dealers zijn gelimiteerd tot de reparatie of vervanging van defecte producten of onderdelen.

Het product en de gebruikershandleiding zijn onderhevig aan wijzigingen. Specificaties kunnen zonder opgaaf van redenen worden gewijzigd.

MILIEU



Defecte en/of afgedankte elektrische of elektronische gereedschappen dienen ter verwerking te worden aangeboden aan een daarvoor verantwoordelijke instantie.

Uitsluitend voor EG-landen

Werp elektrisch gereedschap niet weg bij het huisvuil. Conform de Europese Richtlijn 2012/19/EG voor Afgedankte Elektrische en Elektronische Apparatuur en de implementatie ervan in nationaal recht moet niet langer te gebruiken elektrisch gereedschap gescheiden worden verzameld en op een milieuvriendelijke wijze worden verwerkt.

GARANTIE

VONROC producten zijn ontworpen volgens de hoogste kwaliteitsstandaarden en gegarandeerd vrij van defecten, zowel materieel als fabrieksfouten, tijdens de wettelijk vastgestelde garantieperiode vanaf de eerste aankoopdatum. Mocht het product tijdens deze periode gebreken vertonen veroorzaakt door defecte materialen en/of fabrieksfouten, neem dan rechtstreeks contact op met VONROC.

De volgende situaties vallen niet onder de garantie:

- Er zijn reparaties of aanpassingen aan de machine uitgevoerd, of er is een poging daartoe ondernomen, door een nietgeautoriseerd servicecentrum.

1. CONSIGNES DE SÉCURITÉ

En plus des avertissements de sécurité suivants, veuillez également lire les avertissements de sécurité additionnels ainsi que les instructions. Le non-respect des avertissements de sécurité et des instructions peut entraîner une décharge électrique, un incendie et/ou des blessures graves. Veuillez conserver les avertissements de sécurité et les instructions pour consultation ultérieure.

Les symboles suivants sont utilisés dans le manuel d'utilisation ou apposés sur le produit:



Lisez le manuel d'utilisation.



Signale un risque de blessures, un danger mortel ou un risque d'endommagement de l'outil en cas de non-respect des instructions de ce manuel.



Risque d'électrocution.



*Portez des lunettes de protection.
Portez une protection auditive.*



Portez un masque anti-poussière.



Machine de classe II - Double isolation - Vous n'avez pas besoin de prise avec mise à la terre.



Le produit est conforme aux normes de sécurité applicables des directives européennes.

CONSIGNES GÉNÉRALES DE SÉCURITÉ



AVERTISSEMENT! Veuillez lire l'intégralité des avertissements de sécurité et des instructions. Le nonrespect de toutes les instructions indiquées cidessous peut entraîner un risque de choc électrique, d'incendie et/ou de blessures graves.

Conservez ces instructions.

Le terme "appareil électrique" mentionné dans tous les avertissements cidessous se rapporte à un appareil électrique qui se branche au réseau électrique (grâce à un câble d'alimentation) ou à un appareil électrique (sans fil) fonctionnant grâce à une batterie.

- 1) **espace de travail**
 - a) **Veillez toujours à garder votre espace de travail propre et bien éclairé.** Les espaces mal rangés et sombres peuvent être la cause d'accidents.
 - b) **N'utilisez pas les appareils électriques dans des environnements susceptibles d'explosion, par exemple en présence de liquides inflammables, de gaz ou de particules.** Les appareils électriques provoquent des étincelles qui peuvent enflammer les particules des émanations.
 - c) **Veillez à garder éloignés les enfants et les personnes se trouvant dans votre voisinage, lors de l'utilisation d'un appareil électrique.** Les distractions peuvent vous faire perdre le contrôle de l'appareil.
- 2) **mesures de sécurité électriques**
 - a) **Les prises des appareils électriques doivent être raccordées à la prise murale correspondante. Ne modifiez jamais la prise de l'appareil, de quelque façon que ce soit. N'utilisez pas d'adaptateurs qui mettent les appareils électriques à la terre (mise à la masse).** Des prises non modifiées et branchées à la prise murale correspondante réduiront les risques de choc électrique.
 - b) **Évitez le contact direct avec les surfaces mises à la terre ou mises à la masse comme les canalisations, les radiateurs, les cuisinières et les réfrigérateurs.** En effet, le risque de choc électrique s'accroît si votre corps est mis à la terre ou à la masse.
 - c) **N'utilisez pas d'outils électriques dans des environnements pluvieux ou humides.** Si de l'eau s'introduit dans un appareil électrique, le risque de choc électrique augmentera.
 - d) **N'utilisez pas le câble de manière abusive. N'utilisez jamais le câble pour transporter, tirer ou débrancher l'appareil électrique. Veillez à garder le câble éloigné des sources de chaleur, des huiles, des rebords coupants ou des pièces actionnées.** Les câbles endommagés ou entremêlés augmentent le risque de choc électrique.
 - e) **Lorsque un appareil est utilisé à l'extérieur, utilisez uniquement un câble prolongateur prévu à cet effet.** L'utilisation d'un câble à usage extérieur réduit le risque de choc électrique.
 - f) **Si vous êtes contraint d'utiliser un outil électrique dans un environnement humide, utilisez une alimentation protégée par un**

dispositif à courant résiduel (RCD). L'utilisation d'un RCD réduit le risque de décharge électrique.

3) Sécurité personnelle

- a) **Restez vigilant, gardez un œil sur ce que vous faites et utilisez votre sens commun lors de l'utilisation d'un appareil électrique. N'utilisez pas un appareil électrique si vous êtes fatigué ou si vous êtes sous l'influence de drogues, d'alcool ou si vous prenez des médicaments.** Un moment d'inattention lors de l'utilisation des appareils électriques peut entraîner des blessures graves.
- b) **Utilisez un équipement de protection personnelle. Protégez-vous toujours les yeux.** Les équipements de protection, tels qu'un masque à poussière, des chaussures antidérapantes, des protections auditives ou un casque de sécurité, utilisés dans de bonnes conditions, réduiront le risque de blessures.
- c) **Prévenez tout démarrage involontaire. Assurez-vous que l'interrupteur est sur la position "arrêt avant de brancher l'appareil.** En effet, le transport des appareils électriques en gardant vos doigts sur l'interrupteur, ou le branchement de ces appareils en ayant l'interrupteur sur "marche accidents.
- d) **Retirez les clés de réglage ou les clés de vis de réglage avant d'allumer l'appareil électrique.** Une clé de vis de réglage ou une clé, laissée sur une pièce en mouvement de l'appareil électrique, peut entraîner des lésions corporelles.
- e) **Ne pas se précipiter. Gardez toujours vos pieds à plat et gardez votre équilibre.** Ceci permet de mieux contrôler l'appareil électrique dans des situations imprévues.
- f) **Habillez-vous convenablement. Ne portez pas de vêtements lâches ou de bijoux. Gardez vos cheveux, vêtements et gants éloignés des pièces actionnées.** En effet, ces derniers peuvent être pris dans les pièces en action.
- g) **Si les appareils sont fournis pour la connexion des équipements d'évacuation et de récupération de la poussière, assurez-vous que ces derniers soient correctement connectés et utilisés.** L'utilisation de ces appareils peut réduire les risques liés à la poussière.
- h) **N pensez pas être familiarisé avec l'outil après l'avoir utilisé à de nombreuses reprises, au point de ne plus rester vigilant et d'en**

oublier les consignes de sécurité. Toute action imprudente peut engendrer de graves blessures en une fraction de seconde.

4) Utilisation et entretien d'un appareil électrique

- a) **Ne forcez pas l'appareil électrique. Utilisez l'appareil électrique adéquat pour votre application.** Un appareil électrique correctement choisi assurera un meilleur travail et un travail sans danger, au rythme auquel il a été conçu.
- b) **N'utilisez pas l'appareil électrique si l'interrupteur marche/arrêt ne fonctionne pas.** Un appareil électrique qui ne peut pas être commandé par l'interrupteur de contrôle est dangereux et doit être réparé.
- c) **Débranchez la prise du bloc d'alimentation avant d'effectuer des réglages, de changer des accessoires, ou de ranger les appareils électriques.** Ces mesures de sécurité préventives réduiront le risque de démarrage involontaire de l'appareil électrique.
- d) **Rangez les appareils électriques arrêtés hors de la portée des enfants et ne laissez aucune personne, non familiarisée avec l'outil ou ces instructions, utiliser l'appareil électrique.** Les appareils électriques sont dangereux entre les mains d'utilisateurs non formés.
- e) **Entretenez les appareils électriques. Vérifiez tout défaut d'alignement et l'enchaînement des pièces actionnées, la rupture de ces dernières, et les autres conditions qui peuvent affecter le fonctionnement des appareils électriques. En cas de dommages, faites réparer l'appareil électrique avant de le réutiliser.** Nombreux sont les accidents provoqués par des appareils électriques mal entretenus.
- f) **Veillez à garder les outils coupants aiguisés et propres.** Des outils coupants correctement entretenus avec des lames aiguisées sont moins susceptibles de se bloquer et sont plus faciles à contrôler.
- g) **Utilisez l'appareil électrique, les accessoires et les embouts, etc., conformément à ces instructions et de la manière prévue pour le type spécifique de l'appareil électrique, en prenant en compte les conditions de travail et le travail à effectuer.** L'utilisation de l'appareil électrique dans des applications différentes de celles prévues peut entraîner des situations dangereuses.
- h) **Gardez les poignées et les surfaces de préhension sèches, propres et exemptes d'huile**

et de graisse. Des poignées et des surfaces de préhension glissantes ne permettent pas de manipuler et de contrôler l'outil correctement en cas de situations inattendues.

- h) **Gardez les poignées et les surfaces de préhension sèches, propres et exemptes d'huile et de graisse.** Des poignées et des surfaces de préhension glissantes ne permettent pas de manipuler et de contrôler l'outil correctement en cas de situations inattendues.
- 5) **Utiliser et soigner les outils à batterie**
- a) **Rechargez la batterie uniquement avec le chargeur spécifié par le fabricant.** Un chargeur adapté à une certaine batterie peut être cause de danger d'incendie quand on l'utilise avec une batterie différente.
- b) **Utilisez chaque outil uniquement avec la batterie conçue pour lui.** L'utilisation de toute autre batterie peut être cause de danger de blessure ou d'incendie.
- c) **Lorsque une batterie n'est pas en usage, gardez-la hors d'atteinte d'objets métalliques tels que les trombones, pièces de monnaie, clés, clous, vis et autres petits objets métalliques pouvant faire le contact entre une borne et l'autre.** Un court-circuit entre les bornes de la batterie peut être cause de brûlures ou d'incendie.
- d) **Dans des circonstances extrêmes, du liquide peut gicler hors de la batterie ; évitez tout contact. En cas de contact accidentel, rincez à l'eau. En cas de contact du liquide avec les yeux, consultez un médecin.** Le liquide qui gicle d'une batterie peut causer irritations ou brûlures.
- e) **N'utilisez pas un bloc-batterie ou un outil endommagé ou modifié.** Une batterie endommagée ou altérée peut avoir un comportement imprévisible qui peut conduire à un incendie, une explosion ou un risque de blessure.
- f) **N'exposez pas le bloc-batterie ou l'outil au feu ou à des températures excessives.** L'exposition au feu ou à des températures dépassant 130 °C peut provoquer une explosion. REMARQUE La température de "130°C" peut être remplacé par la température de "265°F".
- g) **Respectez les instructions pour la charge et ne rechargez pas le bloc-batterie ou l'outil à une plage de températures hors de celle spécifiée dans les instructions.** Une charge mal effectuée ou à des températures hors de la plage spécifiée peut endommager la batterie et augmente le risque d'incendie.

6) Maintenance

- a) **L'entretien de votre outil électrique doit être confié à un réparateur qualifié qui utilise uniquement des pièces de rechange identiques aux pièces d'origine.** Cela permet d'assurer la sécurité de l'outil électrique.
- b) **Ne réparez jamais des blocs-batteries endommagés.** Les réparations sur les blocs-batteries ne doivent être effectuées que par le fabricant ou l'un de ses prestataires de services agréés.

AVERTISSEMENTS DE SÉCURITÉ ADDITIONNELS

- N'utilisez pas de disque de ponçage surdimensionné et respectez les indications du fabricant relatives à la taille des disques de ponçage. Les disques de ponçage qui dépassent du plateau peuvent provoquer des blessures, ils peuvent se bloquer, se déchirer et provoquer un recul brutal.
- Le ponçage de peintures au plomb est déconseillé. L'enlèvement de peintures au plomb est une opération réservée à un spécialiste.
- Ne traitez jamais de matériaux d'où pourraient se dégager des substances dangereuses pour la santé (l'amiante par exemple). Prenez des mesures de protection si le travail risque de générer des poussières dangereuses pour la santé, inflammables ou explosives. Portez des masque anti-poussière. Utilisez des installations d'aspiration.
- Ne travaillez pas sur des matériaux contenant de l'amiante. L'amiante est considéré comme carcinogène.
- N'utilisez pas la machine pour poncer des pièces à ouvrir contenant du magnésium.
- Portez des lunettes de protection. Portez une protection auditive. Si nécessaire, utilisez d'autres équipements de protection: gants de sécurité, chaussures de sécurité, etc.
- Tenez la machine par les surfaces de poignée isolées lorsque l'accessoire peut toucher des câblages cachés ou le cordon secteur. Si l'accessoire touche un fil sous tension, les pièces métalliques exposées de la machine peuvent également être sous tension. Risque d'électrocution.
- Faites très attention en ponçant des surfaces peintes.
- Avant l'usage, retirez tous les clous et autres objets métalliques de la pièce à ouvrir.
- Assurez-vous que la pièce à ouvrir est correctement soutenue ou fixée.

- Utilisez uniquement du papier de ponçage adapté à cette machine.
- Utilisez uniquement du papier de ponçage aux dimensions correctes. Veillez à ce que le papier de ponçage soit correctement monté.
- Vérifiez le papier de ponçage avant chaque utilisation. N'utilisez pas un papier de ponçage usé par un usage prolongé.
- Ne posez jamais la machine sur une table ou un établi sans l'avoir mise hors tension.

Sécurité électrique



Vérifiez que la tension d'alimentation correspond à la tension nominale indiquée sur la plaque signalétique.

- N'utilisez pas la machine si le câble secteur ou la fiche secteur est endommagé.
- Utilisez uniquement des rallonges adaptées à la puissance nominale de la machine et d'une section minimum de 1,5 mm². Si vous utilisez une bobine de rallonge, déroulez toujours complètement le câble.

2. INFORMATIONS RELATIVES À LA MACHINE

Utilisation prévue

La machine a été conçue pour poncer le bois, le plastique et le métal. Cette machine n'est prévue que pour le ponçage à sec. La machine n'est pas adaptée pour traiter les objets contenant de l'amiante. Toute utilisation incorrecte peut endommager l'outil.

SPÉCIFICATIONS TECHNIQUES

N° de modèle	OS501AC
Tension	230-240V~
Fréquence	50 Hz
Puissance	240 W
Vitesse à vide	6000-11000/min
Diamètre patin de ponçage	92x187 mm
Poids	1,7 kg
Pression acoustique L _{PA}	73+3 dB(A)
Puissance acoustique L _{WA}	84+3 dB(A)
Vibration	1,77+1,5 m/s ²



Portez une protection auditive.

Niveau de vibrations

Le niveau des vibrations émises, indiqué dans ce manuel, a été mesuré conformément à la procédure décrite par la norme EN 62841. Il peut être utilisé pour comparer deux outils ou pour réaliser une estimation préalable de l'exposition aux vibrations lors de l'utilisation de l'outil pour les applications mentionnées.

- L'utilisation de l'outil dans d'autres applications ou avec des accessoires différents ou mal entretenus peut considérablement augmenter le niveau d'exposition.
- La mise hors tension de l'outil et sa non-utilisation pendant qu'il est allumé peuvent considérablement réduire le niveau d'exposition.

Protégez-vous contre les effets des vibrations par un entretien correct de l'outil et de ses accessoires, en vous échauffant les mains et en organisant vos rythmes de travail.

DESCRIPTION

Les numéros dans le texte se rapportent aux schémas de la page 2.

1. Interrupteur marche/arrêt
2. Poignée principale
3. Bac à poussière
4. Patin de ponçage
5. Fixation de papier de ponçage
6. Poignée auxiliaire
7. Molette de réglage de la vitesse
8. Papier abrasif

3. MONTAGE



Avant le montage, mettez toujours la machine hors tension et débranchez la fiche de la prise secteur.

Installer le bac à poussière (Fig. B)

Il est fortement conseillé d'utiliser la machine avec son bac à poussière (3), qui garantit la récupération optimale des poussières.

- Glissez la fente du bac à poussière sur l'encoche au niveau de la sortie des poussières à l'arrière de la machine.
- Afin de garantir que le bac à poussière est correctement mis en place, poussez-le jusqu'à entendre le clic.

Remarque: Le bac à poussière doit être vidé lorsqu'il est moitié-plein afin que conserver une récupération optimale des poussières.

Installer et retirer le papier abrasif (Fig. C, D)

La ponceuse est compatible avec le papier abrasif autoagrippant ou non.

Installer et retirer du papier abrasif autoagrippant

- enez la machine sur le côté ou à l'envers, comme illustré par la Fig. C
- Installez le papier abrasif (8) dont les grains sont de la bonne grosseur sur le patin de ponçage (4). Assurez-vous que les trous du papier abrasif (8) correspondent aux trous du patin de ponçage (4).
- Pour retirer le papier abrasif (8), soulevez-le simplement du patin de ponçage (4).

Installer et retirer du papier abrasif non autoagrippant

- Ouvrez les fixations de papier de ponçage (5).
- Montez le papier de ponçage (8) présentant le grain adapté sur le patin de ponçage (4).
- Repliez le papier de ponçage (8) aux deux extrémités autour des bords du patin de ponçage (4).
- Fermez une à une les fixations de papier de ponçage (5). Veillez à ce que les extrémités du papier de ponçage (8) soient coincées.
- Pour retirer le papier abrasif (8), ouvrez d'abord les attaches (5) puis retirez le papier abrasif (8) du patin de ponçage (4).

Remarque: Utilisez un papier abrasif à gros grains pour les ponçages grossiers de surfaces irrégulières. Utilisez un papier abrasif à grains moyens pour supprimer les rayures restantes après le passage du papier à gros grains. Utilisez un papier abrasif fin pour les finitions de surfaces.

4. FONCTIONNEMENT

Mettre en marche et éteindre (Fig. A)

- Pour allumer la machine, enfoncez l'interrupteur Marche/Arrêt (1) vers la position I.
- Pour éteindre la machine, enfoncez l'interrupteur Marche/Arrêt (1) jusqu'à la position 0.

Réglage de la vitesse (fig. A)

La molette de réglage de vitesse sert à ajuster la vitesse. La molette de réglage de vitesse peut adopter 7 positions. La vitesse idéale dépend du grain nécessaire et du matériau ouvré.



Ne réglez pas la vitesse pendant l'utilisation.

Conseils pour une utilisation optimale

- Maintenez fermement la machine à deux mains.
- Mettez la machine en marche.
- Placez le patin de ponçage avec le papier de ponçage sur la pièce à ouvrir.
- Déplacez lentement la machine sur la pièce à ouvrir en appuyant fermement le patin de ponçage dessus.
- N'exercez pas de pression excessive sur la machine. Laissez la machine faire le travail.

5. ENTRETIEN



Si vous voulez procéder à des travaux d'entretien sur le mécanisme, mettez la machine hors secteur.

Nettoyez le corps de la machine régulièrement au moyen d'un chiffon doux, de préférence après chaque utilisation. Vérifiez que les ouvertures d'aération ne sont pas obstruées ni sales. Utilisez un chiffon doux légèrement humidifié avec de la mousse de savon pour nettoyer les taches persistantes. N'utilisez pas de produits de nettoyage tels que l'essence, l'alcool, l'ammoniac, etc.; ces produits peuvent endommager les parties synthétiques.

ENVIRONNEMENT



Les équipements électroniques ou électriques défectueux ou destinés à être mis au rebut doivent être déposés aux points de recyclage appropriés.

Uniquement pour les pays de l'UE

Ne jetez pas les outils électriques avec les déchets domestiques. Selon la Directive européenne 2012/19/CE relative aux déchets d'équipements électriques et électroniques et sa mise en œuvre dans le droit national, les outils électriques hors d'usage doivent être collectés séparément et mis au rebut de manière écologique.

GARANTIE

Les produits VONROC sont développés aux plus hauts standards de qualité et ils sont garantis contre les défauts de pièces et de main d'oeuvre pendant la durée légale stipulée à partir de la date d'achat d'origine du produit. En cas d'une quelconque panne du produit pendant cette durée qui serait due à un défaut matériel et/ou de main d'oeuvre, contactez directement VONROC.

Les circonstances suivantes ne sont pas prises en charge par la garantie:

- Des réparations ou altérations ont été effectuées ou tentées sur la machine par un centre de réparation non agréé.
- L'usure normale.
- L'outil a été maltraité, mal utilisé ou mal entretenu.
- Des pièces détachées non d'origine ont été utilisées

Ceci constitue l'unique garantie accordée par la société explicitement ou implicitement. Il n'existe aucune autre garantie, explicite ou implicite, qui peut s'étendre au delà du contenu ici présent, y compris les garanties marchandes ou d'adaptation à des fins particulières. En aucun cas VONROC ne sera tenu responsable de dommages accidentels ou consécutifs. Les solutions proposées par les revendeurs devront se limiter à la réparation ou le remplacement des éléments ou pièces non conformes.

Le produit et le manuel d'utilisation sont sujets à modifications. Les spécifications peuvent changer sans préavis.

1. INSTRUCCIONES DE SEGURIDAD

Lea las advertencias de seguridad, las advertencias de seguridad adicionales y las instrucciones adjuntas. De no respetarse las advertencias de seguridad y las instrucciones, podrían producirse descargas eléctricas, incendios y/o lesiones graves. Conserve las advertencias de seguridad y las instrucciones para su posterior consulta.

Los siguientes símbolos se utilizan en el manual de usuario o en el producto:



Lea el manual de usuario.



Denota riesgo de lesiones personales, pérdida de vida o daños a la herramienta en caso de incumplimiento de las instrucciones del presente manual.



Riesgo de choque eléctrico.



*Lleve gafas de seguridad.
Lleve protección auditiva.*



Lleve una máscara antipolvo.



Máquina de clase II - Doble aislamiento - No necesita enchufe con puesta a tierra.



El producto es conforme con las normas de seguridad vigentes en las Directivas Europeas.

INSTRUCCIONES GENERALES DE SEGURIDAD



PRECAUCIÓN! *Lea todas las advertencias de seguridad y todas las instrucciones. Si no lo hace, el uso indebido puede acarrear cortocircuitos, fuego o lesiones graves.*

Conserve estas instrucciones.

El término "herramienta eléctrica", en todas las advertencias enumeradas a continuación se refiere a su herramienta eléctrica (i nalámbrica) que funciona con una batería o a través de la red eléctrica.

1) Área de trabajo

- Trabaje en un lugar limpio y bien iluminado.** Lugares no iluminados o sucios propician accidentes.
- No use herramientas eléctricas donde haya riesgo de fuego o explosión, p.ej: cerca de lí-**

quidos o gases inflamables, polvo etc. Las herramientas eléctricas producen chispas que pueden producir la ignición de partículas de humo.

- c) **Mantenga a los niños y otras personas alejados mientras utiliza la herramienta eléctrica.** Las distracciones pueden hacer que pierda el control de la herramienta.

2) Seguridad eléctrica

- a) **Cerciórese de que las clavijas de la herramienta eléctrica están correctamente enchufadas. Nunca modifique la clavija. No utilice ningún adaptador para la clavija de una herramienta eléctrica con conexión a tierra.** Las clavijas que no se hayan cambiado y los enchufes adecuados reducen el riesgo de cortocircuitos.
- b) **Evite el contacto humano con superficies con conexiones a tierra como tubos metálicos, conductos, tubos de la calefacción, radiadores y refrigeradores.** El riesgo de cortocircuitos es mayor cuando el cuerpo está en contacto con el suelo.
- c) **No use herramientas eléctricas bajo la lluvia o en entornos húmedos.** Si entra agua en una herramienta eléctrica aumenta el riesgo de cortocircuito.
- d) **No utilice el cable para todo. Nunca utilice el cable para mover la máquina, empujarla o sacar la clavija del enchufe. Mantenga el cable alejado del calor, aceite, zonas cortantes o piezas en movimiento.** Los cables dañados o enredados aumentan el riesgo de cortocircuito.
- e) **Use un cable alargador impermeable adecuado para exteriores cuando trabaje con la herramienta eléctrica al aire libre.** El riesgo de cortocircuito es menor si utiliza un cable alargador adecuado para exteriores.
- f) **Si no se puede evitar el uso de la herramienta eléctrica en un lugar húmedo, use suministro protegido mediante dispositivo diferencial residual (DDR).** El uso de un DDR reduce el riesgo de choque eléctrico.
- h) **No permita que la familiaridad adquirida con el uso frecuente de las herramientas le haga confiarse e ignorar los principios de seguridad de las herramientas.** Una acción descuidada puede causar lesiones graves en una fracción de segundo.

3) Seguridad personal

- a) **No se descuide, preste atención a lo que está haciendo y utilice el sentido común mientras trabaje con esta herramienta. No use herramientas eléctricas cuando esté cansado o esté**

bajo los efectos del alcohol, las drogas o los medicamentos. Un momento de distracción, mientras utilice la herramienta eléctrica, puede provocar lesiones personales graves.

- b) **Use equipo de protección individual. Use siempre gafas protectoras.** El uso en condiciones apropiadas del equipo de seguridad como por ejemplo: mascarilla antipolvo, zapatos antideslizantes de seguridad, casco o protección para los oídos, disminuye el riesgo de sufrir lesiones personales.
- c) **Evite arranques involuntarios. Asegúrese de que el interruptor está en la posición de apagado antes de conectarlo a la fuente de electricidad.** Transportar herramientas eléctricas con el dedo puesto sobre el interruptor o enchufarlas con el interruptor encendido puede causar accidentes.
- d) **Quite cualquier llave de ajuste antes de encender la herramienta eléctrica.** Una llave olvidada junto a una pieza móvil de la herramienta eléctrica puede provocar lesiones personales graves.
- e) **No se estire demasiado. Mantenga siempre el equilibrio y tenga los pies en el suelo.** Esto permite un mayor control de la herramienta eléctrica en situaciones inesperadas.
- f) **Vístase apropiadamente. No lleve prendas holgadas o joyas. Mantenga su pelo, ropa y guantes alejados de las piezas móviles.** Las prendas holgadas, las joyas y el pelo largo pueden quedar atrapados en las piezas móviles.
- g) **Si se han suministrado dispositivos para la extracción y recogida de polvo asegúrese de que estos estén conectados y se utilicen correctamente.** El uso de estos dispositivos puede reducir los riesgos relacionados con el polvo.
- h) **Mantenga las asas y las superficies de agarre secas, limpias y libres de aceite y grasa.** Las asas y las superficies de agarre resbaladizas no permiten un manejo y control seguros de la herramienta en situaciones inesperadas.
- 4) **Utilización y cuidados de la herramienta eléctrica**
- a) **No fuerce la herramienta eléctrica. Utilice la herramienta eléctrica adecuada para el trabajo que vaya a realizar.** Una herramienta eléctrica apropiada realizará un trabajo mejor y más seguro si se utiliza para el objetivo con el que ha sido diseñada.
- b) **No use herramientas que no pueden encenderse o apagarse con el interruptor.** Las herramientas que ya no se puedan encender y apagar son peligrosas y deben repararse.

- c) **Desenchufe la clavija de la toma de electricidad antes de realizar modificaciones, cambiar accesorios o guardar las herramientas eléctricas.** Tales medidas de seguridad preventivas reducen el riesgo de la puesta en marcha accidental.
- d) **Mantenga a los niños alejados de una herramienta eléctrica sin utilizar y no permita a personas que no estén familiarizadas con la máquina o estas instrucciones utilizar la herramienta.** La herramienta eléctrica puede ser peligrosa cuando la utilicen personas sin experiencia.
- e) **Conserve sus herramientas cuidadosamente. Verifique cualquier desalineación o agarrotamiento de piezas móviles, piezas dañadas y cualquier otra causa, que pudiera repercutir en el buen funcionamiento de la herramienta eléctrica. Si la herramienta está estropeada, repárela antes de utilizarla.** Muchos de los accidentes están causados por un mantenimiento insuficiente del equipo eléctrico.
- f) **Mantenga las herramientas de corte limpias y afiladas.** Sierras con esquinas cortantes con un buen mantenimiento se bloquean menos y son más fáciles de controlar.
- g) **Utilice la herramienta eléctrica, accesorios y brocas etc. Siguiendo las instrucciones atendiendo al tipo de herramienta eléctrica y tenga en cuenta las condiciones de trabajo y el tipo de trabajo que se va a realizar.** Puede ser peligroso realizar trabajos con la herramienta diferentes de aquellos para los que está diseñada.
- 5) Uso y cuidado de las herramientas alimentadas por batería**
- a) **Recargue las baterías únicamente con el cargador recomendado por el fabricante.** Un cargador que es apto para un tipo de baterías determinado puede provocar riesgo de incendio si se usa para cargar otra clase de baterías.
- b) **Use las herramientas eléctricas sólo con las baterías indicadas específicamente.** El uso de otra clase de baterías diferente puede ocasionar el riesgo de derivar en lesiones o un incendio.
- c) **Cuando el paquete de baterías no esté en uso, consérvelo retirado de objetos metálicos como sujetapapeles, monedas, llaves, clavos, tornillos o cualquier otro objeto metálico pequeño que pueda hacer puente entre las terminales.** El contacto entre las terminales de la batería puede causar quemaduras o incendio.
- d) **Bajo condiciones extremas de abuso la batería podría expulsar un líquido; evite todo contacto. Si se produjese contacto accidentalmente, lávese bien con agua. Si el líquido hace contacto con los ojos, consulte también al médico.** El líquido emanado de la batería puede causar irritaciones o quemaduras.
- e) **No utilice una batería o una herramienta que esté dañada o modificada.** Las baterías dañadas o modificadas pueden presentar un comportamiento impredecible y provocar un incendio, una explosión o riesgo de lesiones.
- f) **No exponga una batería o una herramienta al fuego o a temperatura excesiva.** La exposición al fuego o a temperaturas superiores a 130 °C puede provocar una explosión. NOTA La temperatura "130 °C" puede sustituirse por la temperatura "265 °F".
- g) **Siga todas las instrucciones de carga y no cargue la batería o la herramienta fuera del rango de temperatura especificado en las instrucciones.** La carga incorrecta o a temperaturas fuera del rango especificado puede causar daños a la batería y aumentar el riesgo de incendio.
- 6) Servicio**
- a) **Haga reparar su herramienta eléctrica por una persona cualificada, usando solo piezas de repuesto idénticas.** Esto garantiza que se mantenga la seguridad de la herramienta eléctrica.
- b) **Nunca repare las baterías dañadas.** El mantenimiento de las baterías debe ser realizado solo por el fabricante o los proveedores de servicio autorizados.
- INSTRUCCIONES DE SEGURIDAD ADICIONALES**
- No utilice hojas de lijar demasiado grandes, respete las especificaciones del fabricante sobre el tamaño de las hojas de lijar. Las hojas de lijar que sobresalen de la almohadilla para lijar pueden causar lesiones, bloquear y rasgar las hojas de lijar o causar contragolpes.
 - Se recomienda no lijar pintura al plomo. La pintura al plomo debe ser removida solo por un especialista.
 - No trabaje en materiales que liberen sustancias peligrosas (p. ej., amianto). Tome precauciones si es probable que se genere polvo peligroso, combustible o explosivo. Use mascarilla protectora antipolvo. Utilice un sistema de extracción de polvo.

- No trabaje con materiales que contengan amianto. El amianto se considera cancerígeno.
- No utilice la máquina para lijar piezas de trabajo de magnesio.
- Use gafas de seguridad. Use protectores auditivos. Si es necesario, utilice otros medios de protección, como guantes de seguridad, zapatos de seguridad, etc.
- Sujete la máquina por las superficies de agarre aisladas cuando el accesorio puede entrar en contacto con cables ocultos o con el cable de red. Si el accesorio entra en contacto con un cable bajo tensión, las partes metálicas expuestas de la máquina también pueden cargarse de tensión. Riesgo de choque eléctrico.
- Tenga mucho cuidado cuando lije superficies pintadas.
- Antes de lijar, retire todos los clavos y otros objetos metálicos que pudiera tener la pieza de trabajo.
- Asegúrese de que la pieza de trabajo esté bien apoyada o fijada.
- Utilice únicamente papel de lijar apto para lijar con la máquina.
- Utilice únicamente papel de lijar de las dimensiones correctas. Asegúrese de que el papel de lijar esté bien montado.
- Inspeccione el papel de lijar antes de cada uso. No utilice papel de lijar desgastado por el uso prolongado.
- Nunca deje la máquina sobre una mesa o un banco de trabajo sin haberla desconectado.

Seguridad eléctrica



Compruebe siempre que la tensión del suministro eléctrico corresponda con la tensión de la placa de características.

- No utilice la máquina si el cable o el enchufe eléctrico han sufrido daños.
- Utilice únicamente cables alargadores que sean adecuados para la potencia nominal de la máquina con un grosor mínimo de 1,5 mm². Si utiliza un cable alargador en rollo, desenrolle totalmente el cable.

2. INFORMACIÓN DE LA MÁQUINA

Uso previsto

La máquina se ha diseñado para lijar madera, plástico y metales. La máquina solo es apta para lijado en seco. La máquina no es adecuada para procesar objetos que contengan amianto. El uso inadecuado puede dañar la herramienta.

ESPECIFICACIONES TÉCNICAS

Modelo n.º	OS501AC
Tensión de red	230-240V ~
Frecuencia de red	50 Hz
Entrada de alimentación	240W
Velocidad sin carga	6000-11000/min
Diámetro del disco	92x187 mm
Pesp	1,7 kg
Nivel de presión acústica L _{PA}	73+3 dB(A)
Nivel de presión acústica L _{WA}	84+3 dB(A)
Vibración	1,77+1,5 m/s ²



Lleve protección auditiva.

Nivel de vibración

El nivel de emisión de vibraciones indicado en este manual de instrucciones ha sido medido según una prueba estándar proporcionada en EN 62841; puede utilizarse para comparar una herramienta con otra y como valoración preliminar de la exposición a las vibraciones al utilizar la herramienta con las aplicaciones mencionadas

- al utilizarla para distintas aplicaciones o con accesorios diferentes o con un mantenimiento deficiente, podría aumentar de forma notable el nivel de exposición
- en las ocasiones en que se apaga la herramienta o cuando está funcionando pero no está realizando ningún trabajo, se podría reducir el nivel de exposición de forma importante

Protéjase contra los efectos de la vibración realizando el mantenimiento de la herramienta y sus accesorios, manteniendo sus manos calientes y organizando sus patrones de trabajo.

DESCRIPCIÓN

Los números del texto se refieren a los diagramas de la página 2.

1. Interruptor de Encendido/Apagado
2. Empuñadura principal
3. Bolsa para polvo
4. Almohadilla para lijar
5. Pinza para papel de lija
6. Empuñadura auxiliar
7. Rueda de ajuste de velocidad
8. Papel de lijar

3. MONTAJE



Antes del montaje, apague siempre la máquina y saque el enchufe de la toma.

Conexión de la caja para polvo (Fig. B)

Se recomienda vivamente utilizar la máquina con la caja de polvo (3), para garantizar una recogida óptima del polvo.

- Deslice la ranura de la caja de polvo sobre la muesca de la toma trasera para polvo.
- Para comprobar que la caja de recogida de polvo esté bien colocada, empuje la caja de recogida de polvo hasta que oiga un clic.

Nota: La caja de polvo debe vaciarse cuando esté llena hasta la mitad, para mantener una recogida de polvo óptima.

Colocación y extracción del papel de lijar (Fig. C, D)

La lijadora es adecuada para papel de lija con y sin sistema de sujeción de velcro.

Colocar y quitar el papel de lija con sujeción de Velcro

- Sujete la máquina de lado o boca abajo, como se muestra en la Fig. C
- Coloque el papel de lija (8) del grano que desee en la almohadilla de lijado (4). Compruebe que el orificio del papel de lija (8) coincida con el orificio de la almohadilla de lijado (4).
- Para extraer el papel de lijar (8), solo tiene que tirar del papel para sacarlo de la almohadilla para lijar (4).

Colocar y quitar el papel de lija sin sujeción de Velcro

- Abra las pinzas para el papel de lija (5).

- Monte el papel de lija (8) del tamaño de grano deseado en el almohadilla de lijado (4).
- Pliegue el papel de lija (8) en ambos extremos alrededor de los bordes de la almohadilla de lijado (4).
- Cierre las pinzas para el papel de lija (5) de una en una. Asegúrese de que los extremos del papel de lija (8) estén sujetos con las pinzas.
- Para quitar el papel de lija (8), primero abra las mordazas del papel de lija (5) y después saque el papel de lija (8) de la almohadilla de lijado (4).

Nota: Utilice papel de lija de grano grueso para lijar superficies ásperas e irregulares. Utilice papel de lija de grano mediano para eliminar los arañazos dejados por el papel de grano grueso. Utilice papel de lija de grano fino para el acabado de las superficies.

4. FUNCIONAMIENTO

Encendido y apagado (fig. A)

- Para encender la máquina, pulse el interruptor de encendido/apagado (1) para ponerlo en posición I.
- Para apagar la máquina, suelte el interruptor de encendido/apagado (1) para ponerlo en posición 0.

Ajuste de la velocidad (fig. A)

La rueda de ajuste de velocidad se utiliza para ajustar la velocidad. La rueda de ajuste de velocidad puede situarse en 6 posiciones. La velocidad ideal depende del tamaño de grano deseado y del material que va a trabajarse.



No ajuste la velocidad durante el uso.

Consejos para un uso óptimo

- Sujete bien la máquina con ambas manos.
- Encienda la máquina.
- Coloque la almohadilla para lijar con el papel de lijar sobre la pieza de trabajo.
- Mueva lentamente la máquina sobre la pieza de trabajo, presionando firmemente la almohadilla para lijar contra la pieza de trabajo.
- No ejercite demasiada presión sobre la máquina. Deje que la máquina haga el trabajo.
- Apague la máquina y espere a que se detenga completamente antes de apoyarla.

5. MANTENIMIENTO



Antes de la limpieza y el mantenimiento, apague siempre la máquina y saque el enchufe de la toma.

Limpie regularmente la carcasa de la máquina con un paño suave, preferentemente después de cada uso. Compruebe que los orificios de ventilación estén libres de polvo y suciedad. Elimine el polvo persistente utilizando un paño suave humedecido con agua y jabón. No use disolventes tales como gasolina, alcohol, amoníaco, etc. Tales productos químicos pueden dañar los componentes sintéticos.

MEDIOAMBIENTE



Los aparatos eléctricos o electrónicos defectuosos y/o desechados deben recogerse en lugares de reciclado apropiado.

Solo para países de la Comunidad Europea

No elimine las herramientas eléctricas como residuos domésticos. De acuerdo con la Directiva europea 2012/19/CE sobre residuos de aparatos eléctricos y electrónicos, y su transposición a las legislaciones nacionales, las herramientas eléctricas que ya no se utilizan deben recogerse por separado y eliminarse en modo ecológico.

CONDICIONES DE GARANTÍA

Los productos VONROC han sido desarrollados con los más altos estándares de calidad y VONROC garantiza que están exentos de defectos relacionados con los materiales y la fabricación durante el periodo legalmente estipulado, a contar desde la fecha de compra original. En caso de que el producto presente defectos relacionados con los materiales y/o la fabricación durante este periodo, póngase directamente en contacto VONROC.

La presente garantía se excluye en los siguientes casos:

- Si centros de servicios no autorizados han realizado o han intentado realizar reparaciones y/o alteraciones a la máquina.
- Si se ha producido un desgaste normal.
- Si la herramienta ha sido mal tratada o usada en modo impropio, o se ha realizado incorrectamente su mantenimiento.

- Si se han utilizado piezas de repuesto no originales.

La presente constituye la única garantía implícita y explícita que ofrece la compañía. No existen otras garantías explícitas o implícitas que excedan las citadas aquí, incluidas las garantías implícitas de comerciabilidad e idoneidad para una finalidad en especial. VONROC no será considerada responsable en ningún caso por daños incidentales o consecuentes. Los recursos a disposición de los distribuidores se limitan a la reparación o a la sustitución de las unidades o piezas no conformes.

El producto y el manual de usuario están sujetos a variaciones. Las especificaciones pueden variar-se sin previo aviso.

1. ISTRUZIONI DI SICUREZZA

Leggere accuratamente gli avvisi di sicurezza, gli avvisi di sicurezza aggiuntivi e le istruzioni. La mancata osservanza degli avvisi di sicurezza e delle istruzioni potrebbe causare scosse elettriche, incendio e/o gravi lesioni. Mantenere gli avvisi di sicurezza e le istruzioni a portata di mano per future consultazioni.

I seguenti simboli sono utilizzati nel presente manuale utente o sul prodotto:



Leggere il manuale per l'utente.



Denota il rischio di lesioni personali, morte o danni all'utensile in caso di mancata osservanza delle istruzioni contenute nel presente manuale.



Indica un pericolo di scossa elettrica.



*Indossare occhiali di protezione.
Indossare protezioni per l'udito.*



Indossare una mascherina anti-polvere.



Apparecchio di Classe II - Doppio isolamento - Non è necessario il collegamento a terra.



Il prodotto è conforme agli standard pertinenti in materia di sicurezza previsti dalla legislazione Europea.

REGOLE GENERALI DI SICUREZZA



ATTENZIONE! Leggere tutte le avvertenze di sicurezza e tutte le istruzioni. Se non si seguono tutte le istruzioni sotto elencate, si può incorrere in uno shock elettrico, in un incendio e/o in lesioni serie.

Conservare queste istruzioni.

Il termine "arnese elettrico" in tutti gli avvertimenti sotto elencati si riferisce al vostro arnese elettrico che funziona a corrente (con filo) o ad un arnese che funziona a pile (senza filo).

1) Area di lavoro

- a) **Mantenere l'area di lavoro pulita e ben illuminata.**
Aree buie e disordinate favoriscono gli incidenti.
- b) **Non usare arnesi elettrici in atmosfere esplo-**

sive, come vicino ai liquidi infiammabili, gas o polveri. Gli arnesi elettrici creano scintille che possono incendiare la polvere dei vapori.

- c) **Tenere lontani bambini e altre persone mentre si accende l'arnese elettrico.** Le distrazioni possono farvi perdere il controllo.

2) Sicurezza elettrica

- a) **Le spine dell'arnese elettrico devono andare bene per la presa di corrente. Non modificare mai la spina in alcun modo. Non usare alcun adattatore con arnesi elettrici a terra (messo a terra).** Spine non modificate che vanno bene per le prese di corrente ridurranno il rischio di shock elettrico.
- b) **Evitare il contatto corporeo con superfici a terra come tubature, radiatori, fornelli e refrigeratori.** C'è un rischio maggiore di shock elettrico se il vostro corpo è a terra.
- c) **Non esporre arnesi elettrici alla pioggia o a condizioni di umidità.** Se dell'acqua penetra nell'arnese elettrico aumenterà il rischio di shock elettrico.
- d) **Non abusare del filo. Non usare mai il filo per trasportare, spingere o staccare dalla presa l'arnese elettrico. Tenere il filo lontano da calore, olio, bordi taglienti o parti mobili.** Fili danneggiati o aggrovigliati aumentano il rischio di shock elettrico.
- e) **Quando si accende un arnese elettrico all'aperto, usare una prolunga adatta a tale uso.** Usare un filo adatto all'uso all'aperto ridurrà il rischio di shock elettrico.
- f) **Se non è possibile evitare l'uso di un elettrotensile in ambiente umido, usare una rete di alimentazione protetta da un interruttore differenziale (salvavita).** L'uso di un salvavita riduce il rischio di scosse elettriche.

3) Sicurezza personale

- a) **Stare vigili e attento quando si accende un arnese elettrico. Non usare un arnese elettrico mentre si è stanco o sotto l'effetto di droghe, alcool o medicinali.** Un momento di disattenzione mentre si accendono arnesi elettrici può causare delle gravi lesioni personali.
- b) **Usare dispositivi di protezione individuale. Indossare sempre una protezione per gli occhi.** Dispositivi di sicurezza come mascherina per la polvere, scarpe di sicurezza antiscivolo, casco, o protezioni per le orecchie usate nelle appropriate condizioni, ridurranno le lesioni personali.

- c) **Prevenire l'avvio accidentale. Assicurarsi che l'interruttore sia spento prima di collegarsi.** Trasportare elettroutensili tenendo il dito sull'interruttore di accensione o dare corrente ad elettroutensili con l'interruttore acceso può dare luogo a incidenti.
- d) **Rimuovere ogni chiave regolatrice o chiave per dadi prima di accendere l'arnese elettrico.** Una chiave per dadi o una chiave lasciata attaccata ad una parte rotante dell'arnese elettrico può provocare lesioni personali.
- e) **Cercare di mantenere l'equilibrio. Mantenere sempre un punto d'appoggio appropriato.** Questo consente un controllo migliore dell'arnese elettrico in situazioni inaspettate.
- f) **Vestirsi adeguatamente. Non indossare vestiti larghi o gioielli. Tenere lontano capelli, vestiti e guanti dalle parti mobili.** Vestiti larghi, gioielli o capelli lunghi possono essere presi nelle parti mobili.
- g) **Se vengono forniti dispositivi per la connessione dell'estrazione della polvere e attrezzature di raccolta, assicurarsi che questi siano collegati e usati correttamente.** L'uso di questi dispositivi può ridurre i rischi correlati alla polvere.
- h) **Non lasciare che la confidenza acquisita dall'uso frequente induca l'utilizzatore ad assumere comportamenti imprudenti e a ignorare i principi di sicurezza per l'utensile.** Una semplice distrazione può provocare gravi lesioni personali in una frazione di secondo.
- 4) **Uso e manutenzione dell'arnese elettrico**
- a) **Non forzare l'arnese elettrico. Usare l'arnese elettrico corretto per il vostro impiego.** L'arnese elettrico corretto farà il lavoro meglio e in maniera più sicura alla velocità per la quale è stato progettato.
- b) **Non usare l'arnese elettrico se l'interruttore non si accende o non si spegne.** Ogni arnese elettrico che non può essere controllato con l'interruttore è pericoloso e deve essere riparato.
- c) **Scollegare la spina dalla sorgente di elettricità prima di fare qualsiasi regolazione, cambiare gli accessori, o conservare arnesi elettrici.** Tali misure di sicurezza preventive riducono il rischio di accendere l'arnese elettrico accidentalmente.
- d) **Conservare gli arnesi elettrici inattivi fuori dalla portata dei bambini e non permettere a persone che non hanno confidenza con l'arnese elettrico o con queste istruzioni di usare l'arnese elettrico.**
- Gli arnesi elettrici sono pericolosi per utenti inesperti.
- e) **Mantenere gli arnesi elettrici. Controllare il non allineamento o l'attacco di parti mobili, la rottura di parti ed ogni altra condizione che può influire sul funzionamento degli arnesi elettrici. Se è danneggiato, far riparare l'arnese elettrico prima dell'uso.** Molti incidenti sono causati da arnesi elettrici mantenuti male.
- f) **Mantenere gli arnesi da taglio affilati e puliti.** È meno probabile che si attacchino degli arnesi da taglio mantenuti correttamente con tagli affilate e questi sono anche più facili da controllare.
- g) **Usare l'arnese elettrico, gli accessori e le parti dell'arnese ecc, secondo queste istruzioni e nel modo pensato per il particolare tipo di arnese elettrico, tenendo conto delle condizioni di lavoro e del lavoro da svolgere.** L'uso dell'arnese elettrico per operazioni diverse da quelle pensate potrebbe causare situazioni pericolose.
- h) **Mantenere le impugnature e le superfici di presa asciutte, pulite e libere da olio e grasso.** Impugnature e superfici di presa scivolose non consentono di maneggiare e controllare in sicurezza l'utensile in situazioni impreviste.
- 5) **Uso e manutenzione dell'utensile a batteria**
- a) **Ricaricare l'apparecchio esclusivamente con il caricabatterie specificato dal fabbricante.** Se si utilizza un caricabatterie di diverso tipo potrebbero verificarsi incendi.
- b) **Utilizzare gli utensili elettrici solo con i pacchi batterie appositamente prescritti.** L'uso di pacchi batterie di diverso tipo aumenta il rischio di infortunio o incendio.
- c) **Quando il pacco batterie non è in uso, tenerlo lontano da oggetti metallici quali fermagli, monete, chiavi, chiodi, viti o altri piccoli oggetti metallici che potrebbero mettere in collegamento i due poli.** Se i poli vengono messi in corto circuito, la batteria potrebbe emettere scintille o fiammate.
- d) **In condizioni di uso scorretto, la batteria potrebbe emettere liquido: evitare pertanto di entrarvi in contatto. In caso di contatto accidentale, risciacquare con acqua. Se il liquido entra a contatto con gli occhi, consultare immediatamente un medico.** Il liquido emesso dalla batteria può causare irritazioni o ustioni.
- e) **Non utilizzare un pacco batterie o l'utensile se danneggiati o manomessi.** Pacchi batterie danneggiati o manomessi potrebbero avere compor-

tamenti imprevisti con il rischio di incendiarsi, esplodere o provocare lesioni a persone.

- f) **Non esporre un pacco batterie o l'utensile alle fiamme o a temperature eccessivamente elevate.** L'esposizione alle fiamme o a temperature superiori a 130 °C potrebbe provocare un'esplosione. NOTA: la temperatura di "130 °C" corrisponde a "265 °F".
- g) **Seguire tutte le istruzioni per la ricarica e non caricare il pacco batterie o l'utensile a temperature che non rientrino nell'intervallo specificato nelle istruzioni.** Se si effettua la ricarica in modo improprio o a temperature non comprese nell'intervallo specificato, il pacco batterie potrebbe subire danni e potrebbe aumentare il rischio di incendi.

6) Riparazione

- a) **L'assistenza per l'elettro utensile deve essere prestata da un tecnico qualificato che utilizzi soltanto ricambi originali.** In questo modo viene garantita la sicurezza dell'elettro utensile.
- b) **Non tentare di riparare pacchi batterie danneggiati.** La riparazione dei pacchi batteria deve essere effettuata esclusivamente dal produttore o presso centri di assistenza autorizzati.

ISTRUZIONI DI SICUREZZA AGGIUNTIVE

- Non utilizzare fogli di carta abrasiva troppo grandi, ma scegliere il formato attenendosi alle specifiche del cliente. I fogli di carta abrasiva che sporgono dal platorello possono provocare lesioni alle persone oltre che bloccarsi e lacerarsi o causare un contraccollo della macchina.
- Non è consigliato rimuovere con la levigatrice la vernice al piombo. La vernice contenente piombo deve essere rimossa esclusivamente da personale specializzato.
- Non lavorare su materiali che rilasciano sostanze pericolose (come, ad esempio, l'amianto). Se esiste la probabilità che venga generata polvere pericolosa combustibile o esplosiva, adottare le dovute precauzioni. Indossare una maschera antipolvere. Utilizzare un sistema di aspirazione delle polveri.
- Non utilizzare la macchina per levigare pezzi in magnesio.
- Indossare occhiali di sicurezza. Indossare protezioni per l'udito. Se necessario, utilizzare altri dispositivi di protezione, quali guanti, scarpe antinfortunistiche, ecc.
- Tenere la levigatrice dalle superfici di presa

isolate, laddove l'accessorio possa entrare in contatto con fili elettrici nascosti o con il cavo di alimentazione. Se l'accessorio dovesse toccare un filo elettrico sotto tensione anche le parti metalliche esposte della macchina possono diventarlo. Rischio di scossa elettrica.

- Prestare molta attenzione nel levigare superfici verniciate.
- Prima dell'uso rimuovere tutti i chiodi e gli altri oggetti di metallo dal pezzo da levigare.
- Assicurarsi che il pezzo da levigare sia correttamente sostenuto o fissato.
- Usare esclusivamente carta abrasiva adatta per l'impiego con questa macchina.
- Usare esclusivamente carta abrasiva delle dimensioni corrette. Assicurarsi che la carta abrasiva sia fissata correttamente.
- Prima di ciascun utilizzo controllare la carta abrasiva.
- Non usare carta abrasiva usurata per via dell'uso prolungato.
- Non appoggiare mai la macchina su un tavolo o un banco da lavoro prima di averla spenta.

Sicurezza elettrica



Controllare sempre che la tensione di alimentazione corrisponda alla tensione indicata sulla targhetta delle caratteristiche.

- Non utilizzare l'elettro utensile quando il cavo o la spina di alimentazione sono danneggiati.
- Utilizzare esclusivamente cavi di prolunga idonei per la potenza nominale dell'elettro utensile, con conduttori di sezione minima di 1,5 mm². Quando si utilizza un cavo di prolunga con avvolgicavo, svolgere sempre completamente il cavo.

2. INFORMAZIONI RELATIVE ALL'ELETTROUTENSILE

Uso previsto

La macchina è progettata per la levigatura di legno, plastica e metallo. Questa macchina è adatta solamente per la levigatura a secco. Questa macchina non è adatta per lavorare su oggetti contenenti amianto. Un uso scorretto può danneggiare l'utensile.

DATI TECNICI

Numero modello	OS501AC
Tensione di alimentazione	230-240V ~
Frequenza di alimentazione	50 Hz
Potenza assorbita	240W
Velocità a vuoto	6000-11000min
Diametro della mola	92x187 mm
Peso	1,7 kg
Livello di pressione sonora L_{PA}	73+3 dB(A)
Livello di potenza sonora L_{WA}	84+3 dB(A)
Vibrazione	1,77+1,5 m/s ²



Indossare protezioni per l'udito.

Livello delle vibrazioni

Il livello di emissione delle vibrazioni indicato sul retro di questo manuale di istruzioni è stato misurato in conformità a un test standardizzato stabilito dalla norma EN 62841; questo valore può essere utilizzato per mettere a confronto un l'utensile con un altro o come valutazione preliminare di esposizione alla vibrazione quando si impiega l'utensile per le applicazioni menzionate.

- se si utilizza l'utensile per applicazioni diverse, oppure con accessori differenti o in scarse condizioni, il livello di esposizione potrebbe aumentare notevolmente.
- i momenti in cui l'utensile è spento oppure è in funzione ma non viene effettivamente utilizzato per il lavoro, possono contribuire a ridurre il livello di esposizione.

Proteggersi dagli effetti della vibrazione effettuando la manutenzione dell'utensile e dei relativi accessori, mantenendo le mani calde e organizzando i metodi di lavoro.

DESCRIZIONE

I numeri che compaiono nel testo si riferiscono agli schemi riportati alle pagine 2

1. Interruttore On/Off
2. Impugnatura principale
3. Contenitore raccogli-polvere
4. Carta abrasiva
5. Graffetta di fissaggio per carta abrasiva
6. Impugnatura ausiliaria
7. Selettore di regolazione della velocità
8. Platorello

3. MONTAGGIO



Prima del montaggio, spegnere sempre l'elettro-utensile e disconnettere la spina di alimentazione dalla rete elettrica.

Collegare il contenitore raccogli-polvere (Fig. B)

Si raccomanda vivamente di utilizzare la macchina con il contenitore raccogli-polvere (3), al fine di assicurare una raccolta delle polveri ottimale.

- Far scorrere lo slot nel contenitore raccogli-polvere sopra l'intaccatura sullo scarico posteriore delle polveri.
- Per fare in modo che il sacchetto raccogli-polvere sia inserito in sicurezza, spingere il sacchetto raccogli-polvere fino a quando non si sente un clic.

Nota: per garantire la raccolta ottimale delle polveri il contenitore raccogli-polvere deve essere svuotato quando è pieno per metà.

Fissaggio e rimozione della carta abrasiva (Fig. C, D)

La levigatrice è indicata per la carta abrasiva sia con che senza gancio e sistema di fissaggio rapido.

Montaggio e rimozione della carta abrasiva con gancio e fissaggio rapido

- Tenere la macchina sul lato o a testa in giù, come illustrato nella Figura C
- Fissare la carta abrasiva (8) con la grana richiesta sul platorello (4). Assicurarsi che il foro nella carta abrasiva (8) corrisponda al foro sul platorello (4).
- Per rimuovere la carta abrasiva (8), staccare semplicemente la carta dal platorello (4).

Montaggio e rimozione della carta abrasiva senza gancio e fissaggio rapido

- Aprire le graffette di fissaggio per carta abrasiva (5).
- Montare la carta abrasiva (8) con grana della corretta misura sulla piastra levigatrice (4).
- Piegarla la carta abrasiva (8) su entrambe le estremità attorno ai bordi della piastra levigatrice (4).
- Chiudere le graffette di fissaggio per carta abrasiva (5), una alla volta. Assicurarsi che le estremità della carta abrasiva (8) siano ben fissate.
- Per rimuovere la carta abrasiva (8), aprire prima i morsetti della carta abrasiva (5) e rimuovere poi la carta abrasiva (8) dal platorello (4).

Nota: per levigare superfici grezze o irregolari usare carta abrasiva a grana grossa. Per rimuovere i graffi

residui prodotti dalla carta abrasiva a grana grossa utilizzare una carta abrasiva a grana media. Per la finitura delle superfici usare carta abrasiva a grana fine.

4. FUNZIONAMENTO

Accensione e spegnimento (Fig. A)

- Per accendere l'elettrotensile premere l'interruttore di accensione/spegnimento (1) e portarlo sulla posizione I.
- Per spegnere l'elettrotensile rilasciare l'interruttore di accensione/spegnimento (1) e portarlo sulla posizione 0.

Impostazione della velocità (fig. A)

Il selettore di regolazione della velocità consente di impostare la velocità. Il selettore di regolazione della velocità è impostabile su 7 posizioni. La velocità ottimale dipende dalla dimensione di grana necessaria e dal materiale da lavorare.



Non impostare la velocità durante l'uso.

Suggerimenti per un utilizzo ottimale

- Tenere saldamente la macchina con entrambe le mani.
- Accendere la macchina.
- Posizionare il platorello con la carta abrasiva sul pezzo da lavorare.
- Muovere lentamente la macchina sul pezzo da lavorare, premendo con decisione il platorello contro il pezzo.
- Non esercitare troppa pressione sulla macchina. Lasciare che sia la macchina a svolgere il lavoro.
- Spegnere la macchina e attendere che si arresti completamente prima di appoggiarla.

5. MANUTENZIONE



Prima di ogni operazione di pulizia e manutenzione, spegnere sempre l'elettrotensile e disconnettere la spina di alimentazione dalla rete elettrica.

Pulire regolarmente il corpo dell'elettrotensile con un panno morbido, preferibilmente dopo ogni uso. Assicurarsi che le prese d'aria siano libere da polvere e sporcizia. Rimuovere lo sporco particolarmente ostinato con un panno morbido inumidito con acqua e sapone. Non utilizzare solventi come benzina, alcol, ammoniaca, ecc.

Le sostanze chimiche di questo tipo danneggiano i componenti sintetici.

AMBIENTE



Le apparecchiature elettriche o elettroniche difettose e/o scartate devono essere raccolte presso gli opportuni siti di riciclaggio.

Solo per i Paesi CE

Non smaltire gli elettrotensili insieme ai rifiuti domestici. Secondo la Direttiva europea 2012/19/EC sui rifiuti delle apparecchiature elettriche ed elettroniche e relativa implementazione nelle normative locali, gli elettrotensili ormai inutilizzabili devono essere raccolti separatamente e smaltiti in modo ecologico.

DEFINIZIONI DELLA GARANZIA

I prodotti VONROC sono sviluppati secondo i più elevati standard di qualità e viene garantita l'assenza di difetti nei materiali e nella manodopera per il periodo contrattuale a partire dalla data di acquisto originale. Qualora il prodotto dovesse subire un guasto qualsiasi durante questo periodo a causa di difetti nei materiali e/o nella manodopera, si prega di contattare direttamente il VONROC.

Le seguenti circostanze sono escluse da questa garanzia:

- Riparazioni e/o modifiche alla macchina sono state eseguite o tentate da centri di assistenza non autorizzati.
- Normale usura.
- L'utensile è stato abusato, utilizzato o manutenu- to in modo improprio.
- Sono state utilizzate parti di ricambio non originali

Ciò costituisce l'unica garanzia espressa o implicita fornita dall'azienda. Non esistono altre garanzie espresse o implicite che si estendono oltre il presente documento, ivi comprese le garanzie implicite di commerciabilità e idoneità per uno scopo particolare. In nessun caso VONROC sarà responsabile di eventuali danni incidentali o consequenziali. I rimedi dei rivenditori saranno limitati alla riparazione o sostituzione di unità o parti non conformi.

Il prodotto e il manuale per l'utente sono soggetti a modifiche. I dati tecnici possono essere modificati senza ulteriore notifica.

1. SÄKERHETSANVISNINGAR

Läs de medföljande säkerhetsvarningarna, de kompletterande säkerhetsvarningarna och anvisningarna. Underlåtenhet att följa säkerhetsvarningarna och anvisningarna kan orsaka elstöt, brand och/eller allvarlig skada. Spara säkerhetsvarningarna och anvisningarna för framtida bruk.

Följande symboler används i användarhandboken eller på produkten:



Läs användarhandboken.



Anger risk för personskada, dödsfall eller skada på verktyget om anvisningarna i denna handbok inte följs.



Risk för elstöt.



Använd skyddsglasögon.
Använd hörselskydd.



Använd en dammask.



Klass II-maskin - dubbelisolering -
Du behöver ingen jordad kontakt.



Produkten uppfyller gällande säkerhetsnormer i EU-direktiven.

ALLMÄNNA SÄKERHETSFORESKRIFTER FÖR ELVERKTYG



WARNING! Läs alla säkerhetsvarningar och alla anvisningar. Underlåtenhet att följa varningar och instruktioner kan resultera i elstötar, brand och/eller allvarliga skador.

Spara alla varningar och instruktioner för framtida referens.

Uttrycket "elverktyg" i varningarna avser ditt nätanslutna (med sladd) verktyg eller batteridrivna (sladdlösa) elektriska verktyg.

1) Arbetsplats säkerhet

- Håll arbetsplatsen ren och välbelyst.** Belamrade eller mörka områden inbjuder till olyckor.
- Använd inte elektriska verktyg i explosiva atmosfärer, såsom i närvaro av lättantändliga vätskor, gaser eller damm.** Elverktyg skapar gnistor som kan antända damm eller ångor.

- Håll barn och åskådare borta medan du arbetar med ett elverktyg.** Om du blir distraherad kan du tappa kontrollen.

2) Elsäkerhet

- Verktygets elkontakt måste passa till vägguttaget. Ändra inte kontakten på något sätt. Använd inte adapterkontakter med jordade elverktyg.** Omodifierade kontakter och matchande uttag minskar risken för elektrisk stöt.
- Undvik kroppskontakt med jordade ytor såsom rör, värmeelement, spisar och kylskåp.** Det finns en ökad risk för elektrisk stöt om din kropp är jordansluten eller jordad.
- Utsätt inte elektriska verktyg för regn eller väta.** Vatten som tränger in i ett elverktyg ökar risken för elstötar.
- Hantera inte elkabeln felaktigt. Använd aldrig sladden för att bära, dra eller koppla bort elverktyget från uttaget. Håll sladden borta från värme, olja, vassa kanter eller rörliga delar.** Skadade eller tilltrasslade sladdar ökar risken för elektrisk stöt.
- När du arbetar med ett elverktyg utomhus, använd en förlängningssladd som passar för utomhusanvändning.** Användning av en sladd som passar för utomhusanvändning minskar risken för elektrisk stöt.
- Om arbete med ett elverktyg i en fuktig lokal är oundvikligt, använd ett uttag som är skyddat med jordfelsbrytare (RCD).** Användning av RCD minskar risken för elstötar.

3) Personlig säkerhet

- Var uppmärksam, kontrollera vad du gör och använd sunt förnuft när du arbetar med ett elektriskt verktyg. Använd inte ett elverktyg när du är trött eller påverkad av droger, alkohol eller medicinering.** Ett ögonblicks ouppmärksamhet under arbetet kan resultera i allvarliga personskador.
- Använd personlig skyddsutrustning. Bär alltid ögonskydd.** Skyddsutrustning såsom dammfilterskydd, hals säkra säkerhetsskor, skyddshjälm eller hörselskydd som används för lämpliga förhållanden minskar personskador.
- Förebyg oavsiktlig igångsättning. Se till att strömbrytaren är i avstängd position innan anslutning till strömkällan och/eller batteriet, verktyget lyfts upp eller bärs.** Om du bär elverktyg med ditt finger på strömbrytaren eller ansluter ett pakoplat elverktyg till nätströmmen kan en olycka inträffa.

- d) **Avlägsna eventuell justeringsnyckel eller skiftnyckel innan du sätter på elverktuget.** En skiftnyckel eller en nyckel som sitter kvar på en roterande del av elverktuget kan resultera i personskada.
- e) **Böj dig inte för långt. Bibehåll alltid ordentligt fotfäste och balans.** Detta möjliggör bättre kontroll av elverktuget i oväntade situationer.
- f) **Bär lämpliga kläder. Använd inte vida kläder eller smycken. Håll hår, kläder och handskar borta från rörliga delar.** Lösa kläder, smycken eller långt hår kan fastna i rörliga delar.
- g) **Om enheten är försedd med anslutning av dammsug och uppsamlingsmöjlighet, se till att dessa är anslutna och används korrekt.** Dammuttagning minskar dammrelaterade risker.
- h) **Låt inte erfarenheten som uppnås vid frekvent användning av verktyg låta dig bli för självsäker och ignorera verktygs säkerhetsprinciperna.** En oförståelig handling kan orsaka allvarliga skador under bråkdelen av en sekund.
- 4) Användning och skötsel av elverktuget**
- a) **Bruka inte våld när du använder elverktuget. Använd rätt slags elektriska verktyg för ditt arbete.** Det korrekta elverktuget gör arbetet bättre och säkrare vid den hastighet för vilket det konstruerades.
- b) **Använd inte elverktuget om strömbrytaren inte sätter på och stänger av det.** Ett elverktuget som inte kan kontrolleras med strömbrytaren är farligt och måste repareras.
- c) **Dra ur kontakten från strömkällan och/eller batteriet från elverktuget innan du gör några justeringar, byter tillbehör eller lägger undan elverktuget för förvaring.** Sådana förebyggande säkerhetsåtgärder minskar risken för att elverktuget startar oavsiktligt.
- d) **Förvara elverktuget oåtkomliga för barn och låt inte personer som är obekanta med verktyget eller dessa instruktioner använda verktyget.** Elektriska verktyg är farliga i händerna på oerfarna användare.
- e) **Underhåll av elektriska verktyg. Kontrollera för feljustering eller om rörliga delar har fastnat, bristning hos delar och andra eventuella förhållanden som kan komma att påverka elverktugets funktion. Om det är skadat, se till att elverktuget blir reparerat före användning.** Många olyckor orsakas av dåligt underhållna elektriska verktyg.
- f) **Håll kapverktyg vassa och rena.** Korrekt underhållna kapverktyg med vassa kanter är mindre troliga att kärva och lättare att kontrollera.
- g) **Använd elverktuget, dess tillbehör och verktyg i enlighet med dessa instruktioner och under beaktande av arbetsförhållandena och det arbete som ska utföras.** Användning av elverktuget för andra uppgifter än vad som avsetts kan resultera i farliga situationer.
- h) **Se till att handtagen är torra, rena och fria från olja och fett.** Hala handtag och greppytor tillåter inte säker hantering och kontroll av verktyget i oväntade situationer.
- 5) Användning och skötsel av batteridrivna verktyg**
- a) **Ladda endast med den laddare som är specificerad av tillverkaren.** En laddare som passar för en typ av batteripaket kan medföra risk för brand när den används med en annat batteri.
- b) **Använd elverktuget enbart med det därtill avsedda batteriet.** Användning av andra batteri kan skapa en risk för skada och brand.
- c) **När batteriet inte används, håll det borta från andra metallföremål, såsom gem, mynt, nycklar, spikar, skruvar eller andra små metallföremål som kan skapa en förbindelse från ena polen till den andra.** Kortslutning av batteriets terminaler kan leda till brännskada eller brand.
- d) **Vid felaktig hantering kan vätska komma ut från batteriet, undvik kontakt med denna. Spola med vatten vid oavsiktlig kontakt. Sök läkarhjälp om vätskan kommer i kontakt med ögon.** Vätska som kommer ut från batteriet kan orsaka irritation eller brännskada.
- e) **Använd inte batterier eller verktyg som är skadade eller modifierade.** Skadade eller modifierade batterier kan uppvisa oförutsägbart beteende som kan leda till brand, explosion eller risk för skada.
- f) **Utsätt inte batteri eller verktyg för eld eller överdriven temperatur.** Exponering för brand eller temperatur över 130 °C kan orsaka explosion. OBS! Temperaturen "130 °C" kan ersättas med temperaturen "265 °F".
- g) **Följ alla laddningsanvisningar och ladda inte batteriet eller verktyget utanför det temperaturområde som anges i instruktionerna.** Om du laddar batteriet felaktigt eller vid temperaturer utanför det angivna området kan det skada batteriet och öka risken för brand.
- 6) Service**
- a) **Se till att ditt elverktuget får service av en kvalificerad reparatör, som endast använder identiska ersättningsdelar.** Detta säkerställer att elverktugets säkerhet upprätthålls.
- b) **Utför aldrig service på skadade batterier.** Service av batteri ska endast utföras av tillverkaren eller auktoriserade serviceleverantörer.

YTTERLIGARE SÄKERHETSANVISNINGAR

- Använd inte överdimensionerade slippapper utan följ tillverkarens specifikationer för storlek på slippapper. Slippapper som skjuter ut över slipskivan kan orsaka skador samt blockera och slita slippappren eller orsaka kast.
- Det rekommenderas inte att slipa blyfärg. Blyfärg bör endast tas bort av en specialist.
- Arbeta inte på material som släpper ut farliga ämnen (t.ex. asbest). Vidta försiktighetsåtgärder om farligt, brännbart eller explosivt damm kan förekomma. Använd en dammask. Använd dammutsugningssystem.
- Arbeta inte med material som innehåller asbest. Asbest anses vara cancerframkallande.
- Använd inte maskinen för slipning av magnesi-umstycken.
- Använd skyddsglasögon. Använd hörselskydd. Använd vid behov andra skyddsmedel, såsom skyddshandskar, skyddsskor etc.
- Håll maskinen vid de isolerade greppytorna där tillbehöret kan komma i kontakt med dolda ledningar eller nätkablen. Om tillbehöret kommer i kontakt med en strömförande ledning kan maskinens utsatta metalldelar också bli strömförande. Risk för elstöt.
- Var mycket försiktig vid slipning av målade ytor.
- Ta bort alla spikar och andra metallföremål från arbetsstycket före användning.
- Se till att arbetsstycket stöds eller fästs ordentligt.
- Använd endast slippapper som är lämpligt för användning med maskinen.
- Använd endast slippapper med rätt mått. Se till att slippappret är korrekt monterat.
- Inspektera slippappret före varje användning. Använd inte slippapper som är utslitet på grund av långvarig användning.
- Lägg aldrig ner maskinen på ett bord eller en arbetsbänk innan den har stängts av.

Elsäkerhet



Kontrollera alltid så att spänningen på nätet motsvarar den spänning som finns angiven på märkplåten.

- Använd inte maskinen om nätkabeln eller nätkontakten är skadad.
- Använd endast förlängningskablar som är lämpliga för maskinens effekt med en minsta tjocklek på 1,5 mm². Om du använder en kabelvinda, rulla alltid ut kabeln helt.

2. MASKININFORMATION

Avsedd användning

Maskinen är konstruerad för slipning av trä, plast och metall. Denna maskin är endast lämplig för torrslipning. Maskinen är inte lämplig för bearbetning av föremål som innehåller asbest. Felaktig användning kan skada verktyget.

TEKNISKA SPECIFIKATIONER

Modell-nr	OS501AC
Spänning	230-240 V ~
Frekvens	50Hz
Ineffekt	240 W
Varvtal utan belastning	6000-11000/min
Slipskivans diameter	92x187 mm
Vikt	1,7 kg
Ljudtrycknivå L_{PA}	73 + 3 dB(A)
Ljudeffektnivå L_{WA}	84 + 3 dB(A)
Vibration	1,77 +1,5 m/s ²



Använd hörselskydd.

Vibrationsnivå

Vibrationsutsläppsnivån som anges i denna bruksanvisning har uppmätts i enlighet med ett standardiserat test i EN 62841, som kan användas för att jämföra verktyg med varandra och som en preliminär bedömning av exponering för vibrationer när du använder verktyget för angivna arbeten.

- Användning av verktyget för andra tillämpningar, eller med olika eller dåligt underhållna tillbehör kan avsevärt öka exponeringsnivån.
- De gånger då verktyget stängs av eller är på men egentligen inte används kan minska exponeringsnivån betydligt.

Skydda dig mot effekterna av vibrationer genom att underhålla verktyget och dess tillbehör, hålla händerna varma och organisera ditt arbetsmönster.

BESKRIVNING

Siffrorna i texten hänvisar till diagrammen på sidan 2.

- Strömbrytare
- Huvudhandtag

3. Dammlåda
4. Slipdyna
5. Slippappersklämma
6. Extrahandtag
7. Hastighetsjusteringsratt
8. Slippapper

3. MONTERING



Stäng alltid av maskinen och ta ut strömkontakten från strömkällan innan montering.

Anslutning av dammlåda (fig. B)

Vi rekommenderar starkt att du använder maskinen tillsammans med dammlådan (3) för att säkerställa optimalt dammsugsug.

- Skjut spåret i dammlådan över skåran på det bakre dammutloppet.
- För att säkerställa att dammlådan sitter ordentligt trycker du på dammlådan tills ett klickljud hörs.

Notera: Dammlådan ska tömmas när lådan är halvfull för att bibehålla optimal dammsugning.

Montering och borttagning av slippapper (fig. C, D)

Slipmaskinen är lämplig för slipning av papper både med och utan kardborrefästsystem.

Montera och ta bort slippapper med kardborrefäst-system

- Håll maskinen på sidan eller upp och ned, som visas på fig. C
- Montera slippapper (8) med önskad kornstorlek på slipdynan (4). Se till att perforeringen i slippappret (8) överensstämmer med perforeringen på slipdynan (4).
- För att ta bort slippapper (8), dra helt enkelt slippappret från slipdynan (4).

Montera och ta bort slippapper utan kardborrefäst-system

- Öppna slippappersklämmorna (5).
- Montera slippapper (8) med önskad kornstorlek på slipdynan (4).
- Vik slippappret (8) i båda ändarna runt slipdynans kanter (4).
- Stäng slippappersklämmorna (5) en efter en. Se till att slippapprets (8) ändrar sitter fast.

- För att ta bort slippappret (8), öppna först slippappersklämmorna (5) och ta sedan bort slippappret (8) från slipdynan (4).

Notera: Använd grovt slippapper för slipning av grova, ojämna ytor. Använd medelslippapper för att ta bort de återstående reporna från det grova slippappret. Använd fint slippapper för ytbehandling.

4. ANVÄNDNING

Igångsättning och avstängning (bild A)

- Flytta strömbrytaren (1) uppåt i läge I för att stänga av maskinen.
- Flytta strömbrytaren (1) nedåt i läge 0 för att stänga av maskinen.

Ställa in hastigheten (fig. A)

Hastighetsjusteringsratten används för att ställa in hastigheten. Hastighetsjusteringsratten kan ställas in i 7 lägen. Den idealiska hastigheten beror på erforderlig kornstorlek och på materialet som ska bearbetas.



Ställ inte in hastigheten under användningen.

Tips för optimal användning

- Håll maskinen stadigt med båda händerna.
- Slå på maskinen.
- Lägg slipplattan med slippapper på arbetsstycket.
- För maskinen långsamt över arbetsstycket och tryck fast slipskivan mot arbetsstycket.
- Tryck inte för hårt på maskinen. Låt maskinen göra arbetet.

5. UNDERHÅLL



Dra alltid ut maskinen från eluttaget innan du utför något underhållsarbete.

Rengör maskinens hus regelbundet med en mjuk trasa, helst efter varje gång du använder maskinen. Se till att ventilationsöppningarna är fria från damm och smuts. Ta bort mycket ihållande smuts med en mjuk trasa fuktad med tvällösning. Använd inte lösningsmedel som bensin, alkohol, ammoniak osv. Sådana kemikalier skadar de syntetiska komponenterna.

MILJÖ



Felaktig och/eller kasserad elektrisk eller elektronisk utrustning måste lämnas in på lämpliga återvinningsstationer.

Endast för EU-länder

Kassera inte elverktyg i hushållsavfall. Enligt den europeiska riktlinjen 2012/19/EC om kasserad elektrisk och elektronisk utrustning och dess tillämpning i nationell rätt måste elverktyg som inte längre är användbara samlas in separat och kasseras på ett miljövänligt sätt.

GARANTI

VONROC-produkter är utvecklade enligt högsta kvalitetsstandard och garanteras fria från defekter i både material och utförande under den period som lagen föreskriver från och med inköpsdatumet. Om produkten skulle utveckla fel under denna period på grund av defekt material och/eller utförande, kontakta då VONROC direkt.

Följande omständigheter är undantagna från denna garanti:

- Reparationer och/eller ändringar har gjorts eller försökts utföras på maskinen av obehöriga servicecenter;
- Normalt slitage;
- Verktyget har missbrukats, använts på fel sätt eller underhållits felaktigt;
- Reservdelar som inte är original har använts.

Detta utgör den enda garantin som företaget ger antingen uttryckt eller underförstått. Det finns inga andra garantier uttryckta eller underförstådda som sträcker sig bortom detta, inklusive de underförstådda garantierna för säljbarhet och lämplighet för ett visst syfte. Under inga omständigheter ska VONROC hållas ansvarigt för indirekta skador eller följdskador. Återförsäljarnas åtgärder ska begränsas till reparation eller byte av enheter eller delar som inte uppfyller kraven.

Produkten och användarhandboken kan ändras. Specifikationerna kan ändras utan förvarning.

1. SIKKERHEDSANVISNINGER

Läs de vedlagte sikkerhedsadvarsler, de yderligere sikkerhedsadvarsler og vejledningen. Hvis sikkerhedsadvarslerne og vejledningen ikke følges, kan det resultere i elektrisk stød, brand og/eller alvorlige personskader. Gem sikkerhedsadvarslerne eller på vejledningen til fremtidig brug.

Følgende symboler anvendes i brugervejledningen eller på produktet:



Læs brugervejledningen.



Angiver risiko for personskade, dødsfald eller beskadigelse af værktøjet i tilfælde af manglende overholdelse af anvisningerne i denne vejledning.



Risiko for elektrisk stød.



*Bær sikkerhedsbriller.
Bær høreværn.*



Bær en støvmaske.



Klasse II maskine - Dobbelt isolering - Du har ikke brug for et jordforbundet stik.



Produktet er i overensstemmelse med de gældende sikkerhedsstandarder i EU-direktiverne.

GENERELLE SIKKERHEDSADVARSLER FOR ELVÆRKTØJ



ADVARSEL! Læs alle sikkerhedsadvarsler og alle anvisninger. Hvis advarslerne og vejledningen ikke følges, kan det resultere i elektrisk stød, brand og/eller alvorlige personskader.

Gem alle advarsler og instruktioner til fremtidig brug.

Udtrykket "el-værktøj" i advarslerne refererer til dit el-værktøj (med ledning) eller dit batteridrevne (ledningsfri) el-værktøj.

1) Sikkerhed på arbejdsområdet

- a) **Hold arbejdsområdet rent og godt oplyst.** Der er risiko for ulykker på rodede eller mørke områder.

- b) **Brug ikke el-værktøj i eksplosive atmosfærer, f.eks. i nærheden af brandfarlige væsker, gasser eller støv.** El-værktøj danner gnister, der kan antænde støv eller dampe.
- c) **Hold børn og tilskuere væk, mens du bruger et el-værktøj.** Distractioner kan få dig til at miste kontrollen.
- 2) El-sikkerhed**
- a) **Stik på el-værktøj skal passe til stikkontakten. Stikket må aldrig modificeres på nogen måde. Brug ikke adapterstik med jordforbundne (jordede) el-værktøj.** Umodificerede stik og tilsvarende stikkontakter reducerer risikoen for elektrisk stød.
- b) **Undgå kropskontakt med jordede overflader, såsom rør, radiatorer, områder og køleskabe.** Der er en øget risiko for elektrisk stød, hvis din krop er jordet.
- c) **El-værktøjer må ikke udsættes for regn eller våde omgivelser.** Vand, der trænger ind i et el-værktøj, vil øge risikoen for elektrisk stød.
- d) **Misbrug ikke ledningen. Brug ikke ledningen til at bære, trække eller frakoble el-værktøjet. Hold ledningen væk fra varme, olie, skarpe kanter eller dele i bevægelse.** Beskadigede eller sammenfiltrede ledninger øger risikoen for elektrisk stød.
- e) **Når du betjener et el-værktøj udendørs, skal du bruge en forlængerledning, der er velegnet til udendørs brug.** Brug af en ledning, der er velegnet til udendørs brug, reducerer risikoen for elektrisk stød.
- f) **Hvis det ikke kan undgås at bruge et maskinværktøj i et fugtigt miljø, bør du anvende en forsyning, der er beskyttet af en fejlstrømsafbryder (RCD).** Brugen af en RCD reducerer risikoen for elektrisk stød.
- 3) Personlig sikkerhed**
- a) **Vær opmærksom, se hvad du laver, og brug din sunde fornuft, når du bruger et el-værktøj. Brug ikke et el-værktøj, når du er træt eller påvirket af stoffer, alkohol eller medicin.** Et øjeblikks uopmærksomhed under brug af el-værktøj kan resultere i alvorlig personskade.
- b) **Brug personligt sikkerhedsudstyr. Bær altid øjenværn.** Beskyttelsesudstyr såsom støvmaske, skridsikre sikkerhedssko, hjelm eller høreværn, der bruges til passende forhold, reducerer personskader.
- c) **Undgå utilsigtet start. Sørg for, at kontakten er slukket, før du tilslutter strømkilden og/eller batteripakken, tager maskinen op eller bærer værktøjet.** Hvis el-værktøj bæres med fingeren på kontakten, eller når el-værktøj strømføres med tændt kontakt, kan der nemt ske ulykker.
- d) **Fjern en eventuel justeringsnøgle eller skruenøgle, inden du tænder for el-værktøjet.** En skruenøgle eller en justeringsnøgle, der er fastgjort til en roterende del af el-værktøjet, kan resultere i personskade.
- e) **Ræk dig ikke for langt. Hold altid et korrekt fodfæste og balancen.** Dette giver bedre kontrol over el-værktøjet i uventede situationer.
- f) **Klæd dig korrekt. Bær ikke løst tøj eller smykker.** Hold dit hår, tøj og handsker væk fra bevægelige dele. Løst tøj, smykker eller langt hår kan sætte sig fast i bevægelige dele.
- g) **Hvis der leveres enheder til tilslutning af støvudsugnings- og opsamlingsfaciliteter, skal du sikre, at disse er tilsluttet og bliver brugt korrekt.** Brug af støvopsamling kan reducere støvrelaterede farer.
- h) **Lad ikke kendskab opnået gennem hyppig brug af værktøj lade dig blive tilbagelænet og ignorere værktøjssikkerhedsprincipper.** En skødesløs handling kan forårsage alvorlig personskade inden for en brøkdæl af et sekund.
- 4) Brug og pleje af el-værktøj**
- a) **Tving ikke el-værktøjet. Brug det korrekte el-værktøj til din opgave.** Det korrekte el-værktøj vil gøre et bedre stykke arbejde og vil være mere sikkert ved den hastighed, det var beregnet til.
- b) **Brug ikke el-værktøjet, hvis kontakten ikke tænder og slukker.** Ethvert el-værktøj, der ikke kan styres med kontakten, er farligt og skal repareres.
- c) **Tag stikket ud af strømkilden og/eller fjern batteripakken fra el-værktøjet, før du foretager justeringer, skifter tilbehør eller opbevarer el-værktøj.** Disse forebyggende sikkerhedsforanstaltninger reducerer risikoen for at starte el-værktøjet ved et uheld.
- d) **Opbevar inaktivt el-værktøj uden for børns rækkevidde, og lad ikke personer, der ikke har kendskab til el-værktøjet eller disse instruktioner, betjene værktøjet.** El-værktøjer er farlige i hænderne på utrænede brugere.
- e) **Vedligehold el-værktøjer. Se efter forkert justering eller binding af bevægelige dele, ødelagte**

- dele og enhver anden tilstand, der kan påvirke el-værktøjets drift. Hvis det er beskadiget, bør du få el-værktøjet repareret før brug.** Mange ulykker forårsages af dårligt vedligeholdt el-værktøj.
- f) **Hold skæreværktøj skarpt og rent.** Korrekt vedligeholdt skæreværktøj med skarpe skærekanter har mindre tilbøjelighed til at binde og er lettere at styre.
- g) **Brug el-værktøj, tilbehør og værktøjsbor osv. i overensstemmelse med disse instruktioner under hensyntagen til arbejdsforholdene og det arbejde, der skal udføres.** Brug af el-værktøjet til andet arbejde end det tilsigtede kan resultere i en farlig situation.
- h) **Hold håndtag og gribeblader tørre, rene og fri fra olie og fedtstof.** Glatte håndtag og gribeblader giver ikke mulighed for sikker håndtering og kontrol af værktøjet i uventede situationer.
- 5) **Brug og pleje af værktøjsbatteri**
- a) **Brug kun den oplader, der er specificeret af producenten, til opladning.** En oplader, der er egnet til én type batteripakke, kan forårsage risiko for brand, når den anvendes med en anden batteripakke.
- b) **Brug kun el-værktøj med specifikt udformede batteripakker.** Brug af andre batteripakker kan resultere i risiko for personskader og brand.
- c) **Når batteripakken ikke er i brug, skal den holdes væk fra andre metalgenstande, som f.eks. papirclips, mønter, nøgler, søm, skruer eller andre små metalgenstande, der kan skabe en forbindelse fra den ene terminal til den anden.** Hvis batteriterminalerne kortsluttes, kan det forårsage forbrændinger eller en brand.
- d) **Ved forkert anvendelse kan der slippe væske ud af batteriet; undgå kontakt. Skyl med vand, hvis der skulle opstå kontakt ved et uheld. Søg derudover lægehjælp, hvis der kommer væske ind i øjnene.** Væske fra batteriet kan forårsage irritation eller forbrændinger.
- e) **Brug ikke en batteripakke eller et værktøj, der er beskadiget eller modificeret.** Beskadigede eller modificerede batterier kan udvise uforudsigelig adfærd, hvilket resulterer i brand, eksplosion eller risiko for personskade.
- f) **Undlad at udsætte en batteripakke eller et værktøj for åben ild eller for høj temperatur.** Udsættelse for åben ild eller temperatur over 130 °C kan forårsage eksplosion. **BEMÆRK** Temperaturen „130 °C“ kan erstattes af temperaturen „265 °F“.
- g) **Følg alle opladningsinstruktioner, og oplad ikke batteripakken eller værktøjet uden for temperaturniveauet specificeret i instruktionerne.** Forkert opladning eller opladning ved temperaturer uden for det specificerede interval kan beskadige batteriet og øge risikoen for brand.
- 6) **Service**
- a) **Lad dit el-værktøj blive serviceeret af en kvalificeret reparatør, der kun bruger identiske reservedele.** Dette sikrer, at maskinværktøjet fortsat er sikkert at bruge.
- b) **Foretag aldrig service på beskadigede batteripakker.** Service af batteripakker bør kun udføres af producenten eller autoriserede serviceudbydere.

EKSTRA SIKKERHEDSANVISNINGER

- Brug ikke overdimensionerede slibebark, men følg producentens specifikationer for størrelsen af slibebark. Slibebark, der stikker ud over slibepuden, kan forårsage personskader samt blokere og rive slibebarkene op eller forårsage tilbageslag.
- Det anbefales ikke at slibe blymaling. Blymaling bør kun fjernes af en specialist.
- Undlad at arbejde på materialer, der frigiver farlige stoffer (f.eks. asbest). Træf foranstaltninger, hvis der er sandsynlighed for dannelse af farligt, brændbart eller eksplosivt støv. Bær en beskyttelsesmaske. Brug et støvudsugningssystem.
- Arbejd ikke med materialer, der indeholder asbest. Asbest betragtes som kræftfremkaldende.
- Brug ikke maskinen til at slibe arbejdsemner af magnesium.
- Bær sikkerhedsbriller. Bær høreværn. Brug om nødvendigt andre beskyttelsesforanstaltninger, såsom sikkerhedshandsker, sikkerhedssko osv.
- Hold maskinen ved de isolerede gribeblader, hvor tilbehøret kan komme i kontakt med skjulte ledninger eller netledningen. Hvis tilbehøret kommer i kontakt med en strømførende ledning, kan maskinens eksponerede metaldele også blive strømførende. Risiko for elektrisk stød.
- Vær meget forsigtig, når du sliber malede overflader.

- Inden brug skal du fjerne alle søm og andre metalliske dele fra arbejdsemnet.
- Sørg for, at arbejdsemnet er korrekt støttet eller fastgjort.
- Brug kun slibepapir, der er velegnet til brug med maskinen.
- Brug kun slibepapir med de korrekte dimensioner. Sørg for, at slibepapiret er korrekt monteret.
- Efterse slibepapiret før hver brug.
- Brug ikke slibepapir, der er slidt på grund af forlænget brug.
- Du må aldrig lægge maskinen ned på et bord eller en arbejdsbænk, før den er blevet slukket.

El-sikkerhed



Kontroller altid, at strømforsynings spænding stemmer overens med spændingen på ydelseskiltmærket.

- Brug ikke maskinen, hvis netledningen eller netstikket er beskadiget.
- Brug kun forlængerledninger, der er velegnede til maskinens effekt med en minimumstykkelse på 1,5 mm². Hvis du bruger en forlænger kabel-rulle, skal du altid rulle kablet helt ud.

2. MASKINOPLYSNINGER

Tilsigtet brug

Maskinen er beregnet til at slibe træ, plast eller metal. Denne maskine er kun velegnet til tørslibning. Maskinen er ikke velegnet til behandling af genstande, der indeholder asbest. Forkert brug kan beskadige værktøjet.

TEKNISKE SPECIFIKATIONER

Model nr.	OS501AC
Spænding	230-240 V ~
Frekvens	50 Hz
Indgangseffekt	240 W
Hastighed uden last	6000-11000/min
Slibepudediameter	92x187 mm
Vægt	1,7kg
Lydtrykniveau L_{pA}	73+3 dB(A)
Lydtrykeffekt L_{WA}	84+3 dB(A)
Vibration	1,77+1,5 m/s ²



Bær høreværn.

Vibrationsniveau

Det udsendte vibrationsniveau, der er angivet i denne brugsvejledning, er blevet målt i overensstemmelse med en standardiseret test i henhold til EN 62841. Den kan bruges til at sammenligne et værktøj med et andet og som en indledende vurdering af eksponering for vibration, når værktøjet bruges til de nævnte anvendelser.

- Når værktøjet bruges til forskellige anvendelser, eller med forskelligt eller dårligt vedligeholdt tilbehør, kan eksponeringsniveauet øges betydeligt.
- De gange, hvor værktøjet er slukket, eller når det er tændt, men ikke bruges til opgaven på det pågældende tidspunkt, kan det reducere eksponeringsniveauet betydeligt.

Beskyt dig mod vibrationseffekterne ved at vedligeholde værktøjet og dets tilbehør, holde dine hænder varme og organisere dine arbejdsmønstre.

BESKRIVELSE

Tallene i teksten henviser til diagrammerne på side 2.

1. Tænd/sluk-kontakt
2. Hovedgreb
3. Støvboks
4. Slibepude
5. Klemme til slibepapir
6. Hjælpegreb
7. Knap til hastighedsjustering
8. Slibepapir

3. MONTERING



Før monteringen skal du altid slukke for maskinen og trække netstikket ud af kontakten.

Tilslutning af støvkassen (fig. B)

Det anbefales kraftigt at bruge maskinen med støvkassen (3) for at sikre en optimal støvopsamling.

- Skub sprækket i støvkassen over hakket på den bageste støvudsugning.
- For at sikre at støvboksen sidder godt fast, skal du skubbe støvboksen ind, indtil der kan høres en kliklyd.

Bemærk: Støvkassen bør tømmes, når kassen er halvt fuld, for at bevare en optimal støvopsamling.

Montering og fjernelse af slibepapir (fig. C, D)

Slibemaskinen er velegnet til slibepapir, både med og uden burrelukke.

Montering og fjernelse af slibepapir med burrelukke

- Hold maskinen på siden eller hovedet, som vist på fig. C
- Sæt slibepapir (8) med den påkrævede kornstørrelse på slibepuden (4). Sørg for, at perforeringen i slibepapiret (8) stemmer overens med perforeringen på slibepapiret (4).
- For at fjerne slibepapiret (8) skal du blot trække slibepapiret fra slibepuden (4).

Montering og fjernelse af slibepapir uden burrelukke

- Åbn slibepapirets klemmer (5).
- Sæt slibepapir (8) med den påkrævede kornstørrelse på slibepuden (4).
- Fold slibepapiret (8) ved begge ender omkring kanterne af slibepapiret (4).
- Luk slibepapirets klemmer (5) én ad gangen. Sørg for, at enderne af slibepapiret (8) er klemt fast.
- For at fjerne slibepapiret (8) skal du først åbne slibepapirets klemmer (5) og derefter fjerne slibepapiret (8) fra slibepuden (4).

Bemærk: Brug groft slibepapir til slibning af grove, ujævne overflader. Brug mellemgroft slibepapir til at fjerne de tilbageværende ridser efter groft slibepapir. Brug fint slibepapir til overfladebehandling.

4. DRIFT

Tænd og sluk (fig. A)

- Tænd for maskinen ved at trykke tænd/sluk-kontakten (1) ind i position I.
- Sluk for maskinen ved at trykke tænd/sluk-kontakten (1) ind i position 0.

Indstilling til hastigheden (fig. A)

Knappen til hastighedsjustering bruges til at indstille hastigheden. Knappen til hastighedsjustering kan indstilles i 7 positioner. Den ideelle hastighed afhænger af den påkrævede kornstørrelse og af det materiale, der skal bearbejdes.



Indstil ikke hastigheden under brug.

Tips til optimal brug

- Hold maskinen godt fast med begge hænder.
- Tænd for maskinen.
- Placer slibepuden med slibepapir på arbejdsområdet.
- Bevæg maskinen langsomt hen over arbejdsområdet, og tryk slibepuden fast mod arbejdsområdet.
- Påfør ikke for meget tryk på maskinen. Lad maskinen gøre arbejdet.

5. VEDLIGEHOLDELSE



Afbryd altid maskinen fra netforsyningen, inden der udføres vedligeholdelsesarbejde.

Rengør maskinbeklædningerne regelmæssigt med en blød klud, helst efter hver anvendelse. Sørg for, at der ikke er støv eller snavs i ventilationsåbningerne. Fjern snavs, der sidder meget godt fast, med en blød klud, der er fugtet i sæbevand. Brug ikke opløsningsmidler, som f.eks. benzin, sprit, ammoniak osv. Kemikalier som disse beskadiger de syntetiske komponenter.

MILJØ



Defekte og/eller bortskaffede elektriske og elektroniske apparater skal afleveres på en passende genbrugsstation.

Kun for lande i EU

Maskinværktøj må ikke bortskaffes sammen med husholdningsaffald. Ifølge EC-direktiv 2012/19/EU om affald af elektrisk og elektronisk udstyr og dets gennemførelse i den nationale lovgivning skal maskinværktøjer, der ikke længere anvendes, afleveres separat og bortskaffes på en miljøvenlig måde.

GARANTI

VONROC-produkter er udviklet til de højeste kvalitetsstandarder og er garanteret fri for defekter i både materialer og udførelse i den periode, der er retsligt angivet fra datoen for det originale køb. Hvis produktet skulle udvikle fejl i denne periode på grund af defekt materiale og/eller udførelse, bedes du kontakte VONROC direkte.

Følgende omstændigheder er udelukket fra denne garanti:

- Uautoriserede servicecentre har foretaget eller gjort forsøg på at foretage reparationer og/eller ændringer på maskinen;
- Normal slitage;
- Værktøjet er blevet misbrugt, brugt forkert eller ikke passende vedligeholdt;
- Der er anvendt ikke-originale reservedele.

Dette udgør den eneste garanti, virksomheden har givet, enten udtrykt eller underforstået. Der er ingen andre garantier, udtrykt eller underforstået, som strækker sig ud over denne, herunder de underforståede garantier for salgbarhed og egnethed til et bestemt formål. Under ingen omstændigheder skal VONROC holdes ansvarlig for tilfældige skader eller følgeskader. Forhandlerens retsmidler skal være begrænset til reparation eller udskiftning af enheder eller dele, der ikke overholder kravene.

Produktet og brugervejledningen er genstand for ændringer. Specifikationer kan ændres uden yderligere varsel.

1. INSTRUKCJE BEZPIECZEŃSTWA

Przeczytać dołączone ostrzeżenia dotyczące bezpieczeństwa, dodatkowe ostrzeżenia dotyczące bezpieczeństwa oraz instrukcje. Nieprzestrzeżenie ostrzeżeń dotyczących bezpieczeństwa oraz instrukcji może prowadzić do porażenia prądem, pożaru i/lub poważnych obrażeń ciała. Zachować ostrzeżenia dotyczące bezpieczeństwa oraz instrukcje na przyszłość.

Następujące symbole są umieszczone w instrukcji obsługi lub na produkcie:



Przeczytać instrukcje obsługi.



Oznacza ryzyko obrażeń ciała, śmierci lub uszkodzenia narzędzia w razie nieprzestrzeżenia poleceń z instrukcji.



Ryzyko porażenia prądem.



*Używać gogli ochronnych.
Stosować osłonę dla uszu.*



Nos maske przeciwpyłową.



Maszyna klasy II - Podwójna izolacja - Nie trzeba stosować wtyczek z uziemieniem.



Produkt spełnia wymogi odpowiednich norm bezpieczeństwa podanych w dyrektywach UE.

OGÓLNE ZALECENIA DOTYCZĄCE BEZPIECZEŃSTWA



UWAGA! Przeczytać wszystkie ostrzeżenia dotyczące bezpieczeństwa i wszystkie instrukcje. Nieprzestrzeżenie wszystkich poniższych instrukcji może być przyczyną porażenia prądem, pożaru i/lub poważnych obrażeń.

Zachowaj poniższe instrukcje.

Termin „elektronarzędzia akumulatorowe” we wszystkich ostrzeżeniach zamieszczonych poniżej odnosi się do elektronarzędzi akumulatorowych zasilanych sieciowo (przewodowych) lub elektronarzędzi akumulatorowych działających na baterie (bezprowadowych).

- 1) **Obszar roboczy**
 - a) **Obszar roboczy należy utrzymywać w czystości.** Powinien on być dobrze oświetlony. Nieład i złe oświetlenie mogą z łatwością doprowadzić do wypadku.
 - b) **Nie korzystaj z elektronarzędzi akumulatorowych w warunkach, w których łatwo może dojść do wybuchu, np. w obecności łatwopalnych cieczy, gazów lub pyłu.** Podczas pracy elektronarzędzi akumulatorowych powstają iskry, które mogą doprowadzić do zapłonu pyłu lub oparów.
 - c) **Dzieci i inne osoby postronne powinny pozostać w bezpiecznej odległości od pracującego urządzenia.** Rozproszenie uwagi może spowodować utratę kontroli nad urządzeniem.
- 2) **Bezpieczeństwo związane z elektrycznością**
 - a) **Wtyczki elektronarzędzi akumulatorowych muszą być odpowiednie do danego gniazda. Pod żadnym pozorem nie należy modyfikować wtyczki w jakikolwiek sposób. Nie należy używać adapterów, które uziewniają elektronarzędzia akumulatorowe.** Stosowanie wtyczek nie poddanych modyfikacjom oraz odpowiednich gniazd zmniejsza ryzyko porażenia prądem.
 - b) **Należy unikać bezpośredniego kontaktu fizycznego z powierzchniami ziemionymi, takimi jak rury, grzejniki, kuchenki, lodówki.** Ryzyko porażenia prądem jest większe, jeśli ciało osoby obsługującej urządzenie jest uziemione.
 - c) **Nie należy wystawiać elektronarzędzi akumulatorowych na działanie deszczu lub wilgoci.** Dostanie się wody do wnętrza elektronarzędzia akumulatorowego zwiększy ryzyko porażenia prądem.
 - d) **Nie należy używać przewodu w niewłaściwy sposób. Pod żadnym pozorem nie należy wykorzystywać przewodu do przenoszenia lub ciągnięcia elektronarzędzia akumulatorowego, ani do jego odłączania od sieci. Przewodu nie należy wystawiać na działanie ciepła, smarów. Powinien on znajdować się w bezpiecznej odległości od ostrych krawędzi i części ruchomych.** Przewody uszkodzone lub poplątane zwiększają ryzyko porażenia prądem.
 - e) **Podczas korzystania z elektronarzędzia akumulatorowego na wolnym powietrzu, należy używać przewodu przedłużacza przystosowanego do użytku na zewnątrz.** Używanie przewodu nadającego się do użytku na wolnym powietrzu zmniejsza ryzyko porażenia prądem.
- f) **Jeśli obsługa elektronarzędzia w wilgotnym miejscu jest nieunikniona, użyć zasilania wyposażonego w wyłącznik różnicowo-prądowy.** Użycie wyłącznika różnicowo-prądowego zmniejsza ryzyko porażenia prądem.
- 3) **Bezpieczeństwo osoby obsługującej urządzenie**
 - a) **Przez cały czas należy mieć się na baczności, uważać na to, co się robi, a w czasie obsługi elektronarzędzia akumulatorowego postępować mając na uwadze zdrowy rozsądek. Urządzenia nie powinny obsługiwać osoby zmęczone lub będące pod wpływem narkotyków, alkoholu lub leków.** Chwila nieuwagi w czasie obsługi elektronarzędzi akumulatorowych może być przyczyną powstania poważnych obrażeń ciała.
 - b) **Należy korzystać ze sprzętu ochronnego oraz zawsze nosić okulary ochronne.** Sprzęt ochronny, jak na przykład maska przeciwpyłowa, antypoślizgowe obuwie ochronne, kask lub słuchawki ochronne używane we właściwych sytuacjach pozwoli na zmniejszenie ryzyka obrażeń ciała.
 - c) **Unikać niezamierzonego uruchomienia. Przed podłączeniem urządzenia do sieci, zawsze sprawdzić, czy przełącznik znajduje się w pozycji „wyłączony”.** Przenoszenie elektronarzędzi z palcem na przełączniku lub włączonych elektronarzędzi z przełącznikiem w położeniu włączenia jest bardzo niebezpieczne i może powodować wypadki.
 - d) **Przed włączeniem elektronarzędzia akumulatorowego należy usunąć z niego wszystkie klucze nastawcze lub maszynowe.** Pozostawienie klucza zamocowanego na jednej z części obrotowych urządzenia może spowodować powstanie obrażeń ciała.
 - e) **Nie należy sięgać ponad urządzeniem. Przez cały czas należy zachować odpowiednią równowagę i zapewnić odpowiednie oparcie dla stóp.** Pozwoli to na lepsze kontrolowanie urządzenia w nieoczekiwanych sytuacjach.
 - f) **Należy nosić odpowiednie ubranie. Do pracy z urządzeniem nie wkładać luźnych ubrań ani biżuterii. Włosy, ubranie i rękawiczki trzymać z dala od części ruchomych.** Luźne części ubrania, biżuteria lub długie włosy mogą zostać wciągnięte przez części ruchome.
 - g) **Jeśli w urządzeniu przewidziano elementy służące do odprowadzania i zbierania pyłu, należy sprawdzić, czy są podłączone, i czy działają we właściwy sposób.** Korzystanie z tego typu

elementów pozwala ograniczyć ryzyko związane z wydzieleniem pyłu podczas pracy urządzenia.

- h) **Nie zezwalać na to, aby rutyna związana z częstym korzystaniem z narzędzi powodowała nadmierną pewność siebie i ignorowanie zasad bezpiecznego korzystania z narzędzi.** Nieodpowiedzialne działanie może spowodować poważne obrażenia ciała w ułamku sekundy.

4) Obsługa i konserwacja elektronarzędzi akumulatorowych

- a) **Urządzenia nie należy przeciążać. Należy korzystać z narzędzia odpowiedniego do danego typu pracy.** Odpowiednio dobrane urządzenie pozwoli na lepsze i bezpieczniejsze wykonanie pracy, we właściwym dla urządzenia tempie.
- b) **Z elektronarzędzia akumulatorowego nie należy korzystać, jeśli nie można go włączyć i wyłączyć przy pomocy przełącznika.** Urządzenie, którego nie można kontrolować używając przełącznika jest niebezpieczne i powinno być oddane do naprawy.
- c) **Przed przystąpieniem do regulowania elektronarzędzi akumulatorowych, wymiany akcesoriów lub przygotowywania urządzeń do okresu przechowywania, należy odłączyć wtyczkę od źródła zasilania.** Tego typu środki ostrożności zmniejszają ryzyko przypadkowego uruchomienia urządzenia.
- d) **Nieczynne elektronarzędzia akumulatorowe należy przechowywać poza zasięgiem dzieci. Nie należy pozwolić, aby osoby nie znające urządzenia lub niniejszych instrukcji obsługi wały urządzenie.** Elektronarzędzia akumulatorowe w rękach niekompetentnych użytkowników stanowią zagrożenie.
- e) **Elektronarzędzia akumulatorowe należy utrzymywać w dobrym stanie technicznym. Należy sprawdzać, czy części ruchome są właściwie założone, i czy się nie zacinają. Należy również sprawdzać, czy jakieś części nie są uszkodzone oraz sprawdzać wszelkie inne elementy, które mogą wpłynąć na pracę urządzeń. Jeśli urządzenie jest uszkodzone, przed przystąpieniem do jego użytkowania, należy je naprawić.** Częstą przyczyną wypadków jest zły stan techniczny urządzeń.
- f) **Narzędzia służące do cięcia powinny być naostrzone i utrzymywane w czystości.** Jeśli narzędzia służące do cięcia, które posiadają ostre krawędzie tnące, są właściwie konserwowane,

istnieje mniejsze prawdopodobieństwo ich zacięcia się. Ponadto, łatwiej je kontrolować.

- g) **Elektronarzędzia akumulatorowe, akcesoriów, nakładek, itp. należy używać zgodnie z niniejszymi instrukcjami oraz w sposób właściwy dla danego rodzaju urządzenia, z uwzględnieniem warunków pracy oraz jej rodzaju.** Używanie urządzenia niezgodnie z przeznaczeniem może prowadzić do powstania sytuacji niebezpiecznych.
- h) **Uchwyty należy utrzymywać w stanie suchym, czystym i niezabrudzonym olejem lub smarem.** Śliskie uchwyty i powierzchnie do chwytania nie pozwalają na bezpieczne obchodzenie się z narzędziem i panowanie nad nim w nieoczekiwanych sytuacjach.
- #### 5) Użytkowanie i konserwacja urządzenia zasilanego akumulatorami
- a) **Ładować tylko przy użyciu ładowarki określonej przez producenta.** Ładowarka przewidziana dla jednego rodzaju akumulatorów stwarza ryzyko pożaru w przypadku użycia jej z innym zestawem akumulatorów.
- b) **Należy używać jedynie akumulatorów przeznaczonych dla danego urządzenia.** Użycie innych akumulatorów stwarza ryzyko wystąpienia obrażeń ciała lub pożaru.
- c) **Kiedy akumulatorki nie są używane, należy przechowywać je z dala od przedmiotów metalowych, takich jak spinacze do papieru, monety, klucze, gwoździe, śruby lub inne niewielkie przedmioty metalowe, które mogłyby spowodować zwarcie pomiędzy stykami.** Zwarcie styków akumulatorka może spowodować pożar.
- d) **W przypadku przecięcia z akumulatorka może wycieknąć płyn; nie należy go dotykać. W razie przypadkowego kontaktu przemyć skórę wodą. W przypadku dostania się płynu do oczu należy skontaktować się z lekarzem.** Płyn z akumulatorka może powodować podrażnienia lub oparzenia.
- e) **Nie używać uszkodzonego ani zmodyfikowanego akumulatora lub narzędzia.** Uszkodzone lub zmodyfikowane akumulatory mogą działać w sposób nieoczekiwany, co może powodować pożar, wybuch lub ryzyko obrażeń ciała.
- f) **Nie wystawiać akumulatora ani narzędzia na działanie płomienia lub zbyt wysokiej temperatury.** Narażenie na działanie płomienia lub temperatury powyżej 130°C może spowodować

wybuch. UWAGA Temperaturę „130 °C“ można zastąpić temperaturą „265 °F“.

- g) **Przestrzegać wszystkich instrukcji ładowania i nie ładować akumulatora ani narzędzia poza zakresem temperatury podanym w instrukcji.** Nieprawidłowe ładowanie lub ładowanie w temperaturze poza podanym zakresem może spowodować uszkodzenie akumulatora i zwiększyć ryzyko pożaru.

6) Serwis

- a) **Zlecać serwisowanie elektronarzędzie wykwalifikowanemu technikowi stosującymi jedynie części zamienne identyczne z oryginalnymi.** Zapewni to zachowanie bezpieczeństwa elektronarzędzia.
- b) **Nigdy nie serwisować uszkodzonych akumulatorów.** Serwisowanie akumulatorów może przeprowadzać wyłącznie producent lub autoryzowany serwis.

DODATKOWE INSTRUKCJE DOTYCZĄCE BEZPIECZEŃSTWA

- Nie używać za dużych arkuszy papieru ściernego, lecz przestrzegać zaleceń producenta dotyczących rozmiaru arkusza papieru ściernego. Arkusze papieru ściernego wystające poza podkładkę do szlifowania mogą powodować obrażenia ciała, blokowanie i rozrywanie papieru ściernego lub odskakiwanie narzędzia.
- Nie zaleca się szlifowania farby ołowiowej. Farbę ołowiową powinien usuwać wyłącznie specjalista.
- Nie pracować z materiałami uwalniającymi substancje niebezpieczne (np. azbest). Podjąć środki ostrożności, jeśli może występować pył niebezpieczny, palny lub wybuchowy. Nosić ochronną maskę przeciwpyłową. Używać systemu odsysania pyłu.
- Nie wolno pracować na materiałach zawierających azbest. Azbest jest produktem rakotwórczym.
- Nie używać urządzenia do szlifowania przedmiotów zawierających magnez.
- Zakładać gogle ochronne, ochronę uszu, a w razie konieczności inne środki ochronne, takie jak rękawice, buty, itd.
- Przytrzymywać urządzenie za izolowane powierzchnie uchwytu, gdyż akcesorium może naruszyć ukryte przewody lub kable sieci elektrycznej. Jeśli akcesorium zetknie się

z przewodem elektrycznym znajdującym się pod napięciem, metalowe części urządzenia mogą również znajdować się pod napięciem. Ryzyko porażenia prądem.

- Zachować szczególną ostrożność podczas szlifowania powierzchni malowanych.
- Przed użyciem usunąć z ciętego przedmiotu wszystkie gwoździe i inne metalowe objekty.
- Upewnić się, czy cięty przedmiot jest właściwie podtrzymywany lub zamocowany.
- Używać wyłącznie papier ścierny, przystosowany do pracy z urządzeniem.
- Używać wyłącznie papier ścierny o odpowiednich wymiarach. Upewnić się, czy papier ścierny jest prawidłowo zamontowany.
- Przed każdym użyciem sprawdzić papier ścierny. Nie używać nadmiernie zużytego papieru ściernego.
- Nigdy nie kłaść urządzenia na stole czy pulpicy przed jego wyłączeniem.

Bezpieczeństwo elektryczne



Zawsze sprawdzać, czy napięcie w sieci odpowiada napięciu na tabliczce znamionowej urządzenia.

- Nie używać urządzenia, jeśli przewód zasilający lub wtyczka jest uszkodzona.
- Używać wyłącznie takich przedłużaczy, które są odpowiednie dla mocy znamionowej urządzenia, o średnicy minimum 1,5 mm2. W przypadku używania przedłużacza na szpuli, całkowicie rozwiniąć przewód.

2. INFORMACJE O MASZYNIE

Przeznaczenie

Narzędzie jest przeznaczone do szlifowania drewna, tworzyw sztucznych i metalu. Maszyna nie jest przeznaczona do obróbki powierzchni zawierających azbest. Niewłaściwe użytkowanie może spowodować uszkodzenie narzędzia.

DANE TECHNICZNE

Nr modelu	OS501AC
Napięcie	230-240V ~
Frequency	50 Hz
Pobór mocy	240W
Obroty bez obciążenia	6000-11000/min
Wymiary tarczy szlifującej	92x187 mm
Ciezar	1,7 kg
Poziom ciśnienia akustycznego L_{PA}	73+3 dB(A)
Poziom mocy akustycznej L_{WA}	84+3 dB(A)
Drgania	1,77+1,5 m/s ²



Stosować osłonę dla uszu.

Poziom drgań

Poziom emisji drgań podany w tej instrukcji obsługi został zmierzony zgodnie ze standaryzowanym testem podanym w normie EN 62841; może on służyć do porównywania narzędzi ze sobą oraz do wstępnego oszacowania ekspozycji na drgania podczas użytkowania narzędzia do podanych zastosowań

- używanie narzędzia do innych zastosowań lub z innymi lub źle konserwowanymi akcesoriami może znacząco zwiększać poziom ekspozycji
- okresy, gdy narzędzie jest wyłączone lub okresy, gdy jest włączone, ale nie pracuje, mogą znacząco zmniejszać poziom ekspozycji

Chronić się przed wpływem drgań, konserwując odpowiednio narzędzie i akcesoria, utrzymując ciepłotę dłoni oraz odpowiednio organizując pracę.

OPIS

Liczby w tekście odnoszą się do rysunków na stronie 2.

1. Włącznik
2. Główny uchwyt
3. Pojemnik na pył
4. Podkładka szlifująca
5. Zacisk papieru ściernego
6. Uchwyt pomocniczy
7. Pokrętko regulacji prędkości
8. Papieru ściernego

3. MONTAŻ



Przed montażem należy zawsze wyłączyć urządzenie i odłączyć od sieci zasilającej.

Podłączanie pojemnika na pył (rys. B)

Zaleca się używanie maszyny w połączeniu z pojemnikiem na pył (3), który zapewnia optymalne gromadzenie pyłu.

- Nasunąć szczelinę w pojemniku na pył na karb na tylnym wylocie pyłu.
- Aby zapewnić solidne włożenie zbiornika na pył, wciskać pojemnik na pył do czasu usłyszenia odgłosu zatrzaśnięcia.

Uwaga: Pojemnik na pył należy opróżnić, gdy będzie napełniony w połowie, aby zachować optymalne gromadzenie pyłu.

Montaż i zdejmowanie papieru ściernego (Rys. C, D)

Szlifierka obsługuje tarcze papieru ściernego mocowane na rzep i zwykłe tarcze, niemocowane na rzep.

Montaż i demontaż tarczy papieru ściernego mocowanej na rzep

- Położyć narzędzie na boku lub spodem do góry i przytrzymać, zgodnie z rys. C
- Zamontować tarczę papieru ściernego (8) o odpowiedniej ziarnistości na tarczę szlifującą (4). Dopilnować, aby otwory w papierze ściernym (8) pasowały do otworów w tarczy szlifującej (4).
- Aby usunąć papier ścierny (8), po prostu ściągnąć go z podkładki do szlifowania (4).

Montaż i demontaż tarczy papieru ściernego niemocowanej na rzep

- Otworzyć zaciski papieru ściernego (5).
- Założyć papier ścierny (8) o odpowiednim rozmiarze ziarna na podkładkę szlifującą (4).
- Zawinąć papier ścierny (8) na obu końcach dookoła krawędzi podkładki szlifującej (4).
- Zamknąć zaciski papieru ściernego (5) jeden po drugim. Upewnić się, czy końce papieru ściernego (8) są poprawnie zaciśnięte.
- Aby usunąć tarczę papieru ściernego (8), najpierw otworzyć zaciski papieru ściernego (5), a następnie usunąć papier ścierny (8) z tarczy szlifującej (4).

Uwaga: Używać gruboziarnistego papieru ściernego do szlifowania szorstkich i nierównych powierzchni.

Używać papieru ściernego ze średnim rozmiarem ziarna do usuwania rys pozostałych po papierze gruboziarnistym. Używać papieru ściernego o niewielkim rozmiarze ziarna do wykańczania powierzchni.

4. OBSŁUGA

Włączanie i wyłączanie (rys. A)

- Aby włączyć urządzenie, nacisnąć przełącznik wł./wył. (1).
- Aby wyłączyć urządzenie, zwolnić przełącznik wł./wył. (1).

Ustawianie prędkości (rys. A)

Do ustawiania prędkości służy pokrętko regulacji prędkości. Pokrętko regulacji prędkości może być ustawiane w 7 pozycjach. Idealna prędkość zależy od rozmiaru ziarna oraz od obrabianego materiału.



Nie należy ustawiać prędkości podczas pracy urządzenia.

Wskazówki dla optymalnej pracy

- Trzymać urządzenie oburącz.
- Włączyć urządzenie.
- Umieścić podkładkę szlifującą z założonym papierem ściernym na obrabianym przedmiocie.
- Powoli przesunąć urządzenie, mocno dociskając podkładkę szlifującą do szlifowanego przedmiotu.
- Nie stosować nadmiernego nacisku na urządzenie. Wykonać pracę.

5. KONSERWACJA



Zawsze odłączać narzędzie od zasilania sieciowego przed rozpoczęciem przeprowadzania jakichkolwiek prac konserwacyjnych.

Czyścić obudowę maszyny regularnie miękką ściereczką, najlepiej po każdym użyciu. Dopilnować, aby otwory wentylacyjne były wolne od pyłu, kurzu i zabrudzeń. Usuwać odporne zabrudzenia miękką ściereczką zwilżoną mydlinami. Nie używać żadnych rozpuszczalników, takich jak benzyna, alkohol, amoniak itp. Takie substancje chemiczne spowodują uszkodzenie części z tworzyw sztucznych.

ŚRODOWISKO



Uszkodzone i/lub niepotrzebne urządzenia elektryczne lub elektroniczne podlegają zbiórce w odpowiednich punktach recyklingu.

Tylko dla krajów Komisji Europejskiej

Nie wolno wyrzucać elektronarzędzi do domowych śmietników. Zgodnie z Dyrektywą Europejską nr 2012/19/EU dotyczącą Utylizacji Wyposażenia Elektrycznego i Elektronicznego i jej wdrożeniem w krajowe prawo, nieużywane elektronarzędzia należy gromadzić oddzielnie i utylizować w sposób przyjazny dla środowiska.

GWARANCJA

Produkty VONROC są wytwarzane zgodnie z najwyższymi standardami jakości i producent udziela gwarancji na wady materiałowe i wady wykonania na okres wymagany prawem, licząc od dnia zakupu. Jeśli wystąpi usterka produktu w tym okresie spowodowana wadą materiałową i/lub wadą wykonania, proszę bezpośrednio skontaktować się ze sprzedawcą VONROC.

Następujące okoliczności powodują unieważnienie gwarancji:

- Przeprowadzono naprawy lub modyfikacje narzędzia w serwisie innym lub autoryzowany lub podjęto ich próbę;
- Normalne zużycie nie jest objęte gwarancją;
- Narzędzie było używane niezgodnie z przeznaczeniem, źle z nim się obchodzono lub było nieprawidłowo konserwowane;
- Użyto części zamiennych innych niż oryginalne.

Niniejsza gwarancja to wyłączna gwarancja producenta i nie obowiązują żadne inne wyrażone ani dorozumiane gwarancje. Nie obowiązują żadne inne wyrażone ani dorozumiane gwarancje o zakresie przekraczającym niniejszą gwarancję, co obejmuje dorozumiane gwarancje przydatności do sprzedaży i przydatności do określonego celu. W żadnym przypadku firma VONROC nie ponosi odpowiedzialności za straty przypadkowe lub wynikowe. Zadośćuczynienie sprzedawcy jest ograniczone do naprawy lub wymiany niezgodnych urządzeń lub części.

Produkt i instrukcja obsługi podlegają zmianom. Dane techniczne podlegają zmianom bez uprzedzenia.

1. INSTRUCȚIUNI DE SIGURANȚĂ

Citiți avertizările de siguranță, avertizările de siguranță suplimentare și instrucțiunile. Nerespectarea avertizărilor de siguranță poate cauza producerea de electrocutări, incendii și/sau răniri grave. Păstrați avertizările de siguranță și instrucțiunile pentru referințe viitoare.

În manualul de utilizare sau pe produs se utilizează următoarele simboluri:



Citiți manualul de utilizare.



Indică riscul de rănire personală, pierderea vieții sau deteriorarea sculei în cazul în care nu se respectă instrucțiunile din acest manual.



Pericol de electrocutare.



*Purtați ochelari de protecție.
Purtați protecții antifonice.*



Purtați o mască antipraf.



*Mașină din clasa II - Izolație dublă -
Nu este necesară o priză cu împământare.*



Produsul este în conformitate cu standardele de siguranță aplicabile din directivele europene.

AVERTISMENTE GENERALE DE SIGURANȚĂ PRIVIND UNELTELE ELECTRICE



AVERTISMENT! Citiți toate avertismentele de siguranță și toate instrucțiunile.

Nerespectarea avertismentelor și instrucțiunilor poate cauza producerea de electrocutări, incendii și/sau răniri grave.

Păstrați toate avertismentele și instrucțiunile pentru consultare ulterioară.

Termenul „unealtă electrică” din avertismente se referă la scula electrică (cu fir) sau la unealta electrică cu baterie (fără fir).

1) Siguranța zonei de lucru

- Păstrați zona de lucru curată și bine iluminată.**
Zonele dezordonate sau întunecate duc la accidente.

- Nu operați uneltele electrice în atmosfere explozive, cum ar fi în prezența lichidelor, gazelor sau pulberilor explozive.** Uneltele electrice generează scântei care pot aprinde pulberea sau fumul inflamabile.
- Țineți la distanță copiii și persoanele din jur în timp ce operați o unealtă electrică.** Distragerile vă pot cauza pierderea controlului.

2) Siguranța electrică

- Ștecherile uneltelor electrice trebuie să se potrivească cu priza. Nu modificați niciodată în nici un fel mufele. Nu folosiți adaptoare de priză cu scule electrice legate de pământ (împământate).** Mufele nemodificate și prizele adecvate reduc riscul șocului electric.
- Evitați contactul corpului cu suprafețele împământate precum țevi, radiatoare, cuptoare și frigidere.** Există un risc mai mare de electrocutare dacă vă este corpul împământat.
- Nu expuneți uneltele electrice la ploaie sau condiții de umezeală.** Apa care pătrunde într-o unealtă electrică va spori riscul de electrocutare.
- Nu manipulați necorespunzător cablul. Nu folosiți niciodată cordonul pentru a purta, a trage sau a deconecta unealta. Feriți cordonul de căldură, ulei, margini ascuțite sau piese mobile.** Cordoane distruse sau încurcate cresc riscul de electrocutare.
- Atunci când operați o unealtă de lucru în aer liber, utilizați un prelungitor pentru exterior.** Folosirea unui cordon adecvat pentru uzul în aer liber scade riscul de electrocutare.
- În cazul în care operarea unei unelte electrice într-un spațiu cu umiditate nu poate fi evitată, utilizați o alimentare cu protecție pentru dispozitivele de curent rezidual (RCD).** Utilizarea unui RCD reduce riscul de electrocutare.

3) Siguranța personală

- Fiți precauți, fiți atenți la ceea ce faceți și respectați regulile de bun simț atunci când operați o unealtă electrică. Nu folosiți unealta electrică atunci când sunteți obosit sau sub influența drogurilor, alcoolului sau unui tratament medicamentos.** Un moment de neatenție în timpul operării uneltelor electrice poate cauza vătămări corporale grave.
- Utilizați echipamentul de protecție corporală. Purtați întotdeauna protecție pentru ochi.**

Echipamentul de protecție precum masca de praf, pantofii de protecție antiderapanți, casca de protecție sau protecția auzului utilizate în condiții adecvate vor reduce rănille personale.

- c) **Preîntâmpinați pornirea accidentală. Asigurați-vă că comutatorul este în poziția oprit înainte de a vă conecta la sursa de alimentare și / sau la baterie, de a ridica sau purta instrumentul.** Purtarea de unelte electrice ținând degetul pe comutator sau alimentarea uneltelor electrice care au comutatorul pornit duce la accidente.
- d) **Îndepărtați orice cheie sau clește de reglare înainte de a porni unealta electrică.** Un clește sau o cheie lăsată atașată unei piese rotative a uneltei electrice poate cauza vătămări corporale.
- e) **Nu vă întindeți pentru a utiliza unealta de lucru. Mențineți-vă întotdeauna stabilitatea și echilibrul.** Acest lucru permite un control mai bun al uneltei electrice în situații neașteptate.
- f) **Îmbrăcați-vă corespunzător. Nu purtați haine largi sau bijuterii. Țineți-vă părul, îmbrăcămintea și mănușile departe de piesele mobile.** Hainele largi, bijuteriile sau părul lung pot fi prinse în părțile mobile.
- g) **În cazul în care dispozitivele prezintă posibilitatea conectării de accesorii pentru aspirația și colectarea prafului, asigurați-vă că aceste accesorii sunt conectate și utilizate în mod corespunzător.** Utilizarea colectării prafului poate reduce pericolele legate de praf.
- h) **Nu lăsați ca obișnuința obținută prin utilizarea frecventă a uneltelor să vă permită să deveniți impasibil și să ignorați principiile de siguranță în utilizarea uneltelor.** O acțiune neglijentă poate provoca accidente grave într-o fracțiune de secundă.
- 4) Utilizarea și îngrijirea uneltelor electrice**
- a) **Nu forțați unealta electrică. Utilizați unealta electrică adecvată aplicației dvs.** Unealta electrică corectă va face munca mai bine și mai sigur la rata pentru care a fost proiectată.
- b) **Nu utilizați unealta electrică în cazul în care întrerupătorul nu comută în poziția pornit și oprit.** Orice unealtă electrică care nu poate fi controlată cu comutatorul este periculoasă și trebuie reparată.
- c) **Deconectați ștecherul de la sursa de alimentare și/sau acumulatorul de la unealta electrică înainte efectuării oricărui reglaje, modificării accesoriilor sau depozitării uneltelor electrice.**

Aceste măsuri preventive de precauție reduc riscul de pornire accidentală.

- d) **Nu depozitați uneltele electrice în stare inactivă la îndemâna copiilor și nu permiteți persoanelor nefamiliarizate cu unealta de lucru sau cu aceste instrucțiuni să o utilizeze.** Uneltele electrice sunt periculoase în mâinile utilizatorilor neinstruiți.
- e) **Efectuați întreținerea uneltelor electrice. Verificați alinierea sau configurarea greșită a pieselor mobile, ruperea pieselor și orice alte condiții care ar putea afecta funcționarea uneltei electrice.** În cazul deteriorării, reparați unealta electrică înainte de uz. Multe accidente sunt cauzate de unelte electrice slab întreținute.
- f) **Păstrați uneltele de tăiat ascuțite și curate.** Uneltele de tăiat corect întreținute cu muchii ascuțite au mai puține șanse să se lege și sunt mai ușor de controlat.
- g) **Utilizați unealta electrică, accesoriile și cuțitele uneltei etc. conform acestor instrucțiuni, ținând cont de condițiile de lucru și de lucrarea ce trebuie să fie efectuată.** Folosirea uneltei electrice pentru operații diferite decât celea destinate pot cauza o situație periculoasă.
- h) **Țineți mânerul și suprafețele de prindere uscate, curate și lipsite de ulei și unsoare.** Mânere și suprafețele de prindere alunecoase nu permit manipularea și controlul uneltei în de siguranță în situații neașteptate.
- 5) Utilizarea și îngrijirea bateriei uneltei**
- a) **Reîncărcați folosind exclusiv încărcătorul specificat de către producător.** Dacă un încărcător conceput pentru un anumit tip de acumulatori este folosit cu alt acumulator, acest lucru poate genera risc de incendiu.
- b) **Utilizați uneltele electrice exclusiv împreună cu acumulatorii specificați.** Utilizarea altor acumulatori poate cauza risc de rănire și incendiu.
- c) **Atunci când nu folosiți acumulatorul, păstrați-l ferit de alte obiecte metalice, precum agrafe de birou, monede, chei, cuie, șuruburi sau alte obiecte metalice mici care pot realiza conexiunea între cele două borne.** Scurtcircuitarea bornelor bateriei poate cauza arsuri sau incendiu.
- d) **În condiții de utilizare incorectă, este posibil să fie evacuat lichid din baterie; evitați contactul cu acesta. În cazul în care se produce accidental contactul, clătiți cu apă. Dacă lichidul intră în contact cu ochii, solicitați ajutor medical suplimentar.**

Lichidul scurs din acumulator poate cauza iritații sau arsuri.

- e) **Nu folosiți un acumulator sau o unealtă care este deteriorată sau modificată.** Acumulatorii deteriorați sau modificați pot avea un comportament imprezvizibil care rezultă în foc, explozie sau risc de rănire.
- f) **Nu expuneți acumulatorul sau unealta la foc sau temperatură excesivă.** Expunerea la foc sau temperaturi de peste 130 °C poate provoca explozie. OBSERVAȚIE Temperatura „130 °C” poate fi înlocuită cu temperatura „265 °F”.
- g) **Respectați toate instrucțiunile de încărcare și nu încărcăți acumulatorul sau unealta în afara intervalului de temperatură specificat în instrucțiuni.** Încărcarea necorespunzătoare sau la temperaturi în afara domeniului specificat poate deteriora acumulatorul și poate crește riscul de incendiu.

6) Service

- a) **Prevedeți repararea unelei de lucru de către o persoană calificată, folosind exclusiv piese de schimb identice.** Acest lucru va garanta păstrarea în siguranță a unelei electrice.
- b) **Niciodată nu serviți acumulatorii deteriorați.** Servisarea acumulatorilor ar trebui să fie efectuată numai de către producător sau furnizorii autorizați de service.

INSTRUCȚIUNI SUPLIMENTARE DE SIGURANȚĂ

- Nu utilizați hârtii abrazive supradimensionate pentru șlefuit, ci urmați specificațiile producătorului pentru dimensiunea hârtiilor abrazive. Hârtiile abrazive pentru șlefuit care depășesc talpa de șlefuit pot provoca răniri, se pot bloca și rupe sau pot provoca loviri.
- Nu se recomandă șlefuirea vopselei cu plumb. Vopseaua cu plumb trebuie îndepărtată numai de un specialist.
- Nu lucrați pe materiale care eliberează substanțe periculoase (de exemplu azbest). Luați măsuri de precauție dacă este posibil să apară praf periculos, combustibil sau exploziv. Purtați o mască anti-praf. Utilizați un sistem de aspirație a prafului.
- Nu lucrați materiale care conțin azbest. Azbestul este considerat cancerigen.
- Nu utilizați utilajul pentru șlefuirea pieselor de magneziu.
- Purtați ochelari de protecție. Purtați protecții antifonice.

Dacă este necesar, utilizați alte mijloace de protecție, de exemplu, ochelari de protecție, încălțăminte de protecție, etc.

- Țineți mașina de suprafețele de izolare, întrucât accesoriul poate intra în contact cu firele ascunse sau cu cablul de alimentare. Dacă accesoriul intră în contact cu un cablul aflat sub tensiune, componentele metalice expuse ale mașinii se vor afla, de asemenea, sub tensiune. Pericol de electrocutare.
- Aveți grijă la șlefuirea suprafețelor vopsite.
- Înainte de utilizare, scoateți toate cuiele și alte obiecte metalice de pe piesa de prelucrat.
- Asigurați-vă că piesa de lucru este susținută sau fixată adecvat.
- Utilizați numai hârtie de șlefuit adecvată pentru utilizarea cu acest aparat.
- Folosiți doar hârtie de șlefuit cu dimensiunile corecte. Asigurați-vă că hârtia de șlefuit este montată corect.
- Inspectați hârtia de șlefuit înainte de fiecare utilizare.
Nu utilizați hârtie de șlefuit uzată din cauza utilizării prelungite.
- Nu așezați mașina pe o masă sau pe o suprafață de lucru înainte de oprirea acesteia.

Instrucțiuni de siguranță privind alimentarea electrică



Verificați întotdeauna ca tensiunea de la alimentarea cu energie să corespundă tensiunii de pe plăcuța cu etichetă specificații.

- Nu utilizați aparatul în cazul în care cablul de alimentare sau ștecherul este deteriorat sau defect.
- Folosiți numai cabluri prelungitoare adecvate pentru puterea mașinii cu o grosime minimă de 1,5 mm². Dacă utilizați o bobină de cablu de extensie, derulați întotdeauna complet cablul.

2. INFORMAȚII CU PRIVIRE LA MAȘINĂ

Domeniul de utilizare

Mașina este proiectată pentru șlefuirea lemnului, materialelor plastice și metalelor. Această mașină este potrivită numai pentru șlefuirea uscată. Mașina nu este potrivită pentru prelucrarea obiectelor care conțin azbest. Utilizarea necorespunzătoare poate deteriora instrumentul.

SPECIFICAȚII TEHNICE

Nr. model	OS501AC
Tensiune	230-240 V ~
Frecvență	50Hz
Puterea de alimentare	240W
Turație la mers în gol	6000-11000/min
Diametru pentru talpa de șlefuit	92x187 mm
Greutate	1,7 kg
Nivelul presiunii sonore L_{PA}	73+3 dB(A)
Nivelul puterii sonore L_{WA}	84+3 dB(A)
Vibrație	1,77+1,5 m/s ²



Purtați căști antifonice.

Nivelul vibrațiilor

Nivelul emisiilor de vibrații menționat în acest manual de instrucțiuni a fost măsurat în conformitate cu un test standardizat precizat în EN 62841; poate fi folosit pentru a compara o sculă cu alta și ca evaluare preliminară a expunerii la vibrații atunci când folosiți scula pentru aplicațiile menționate.

- Utilizarea sculei pentru aplicații diferite sau cu accesorii diferite și prost întreținute, poate crește semnificativ nivelul de expunere.
- Momentele în care scula este oprită sau când funcționează dar nu execută nicio lucrare, pot reduce semnificativ nivelul de expunere.

Protejați-vă împotriva efectelor vibrațiilor prin întreținerea sculei și a accesoriilor sale, păstrând mâinile calde și organizând procesele de lucru.

DESCRIERE

Numerele din text se referă la diagramele de la pagina 2.

1. Comutator pornire/oprire
2. Mâner principal
3. Castă de praf
4. Talpa de șlefuit
5. Clemă pentru șmirghel
6. Mâner auxiliar
7. Rotiță de reglare a vitezei
8. Hârtie abrazivă pentru șlefuit

3. MONTAREA



Înainte de asamblare, opriți alimentarea electrică a mașinii și deconectați fișa cablului de alimentare de la priza de rețea.

Conectarea casetei de praf (Fig. B)

Este foarte recomandat să folosiți mașina cu caseta de praf (3), asigurând colectarea optimă a prafului.

- Glisați fanta din cutia de praf peste creștătura de la orificiul de evacuare din spate.
- Pentru a vă asigura că caseta de praf este introdusă bine, împingeți caseta de praf până când se aude un zgomot de clic.

Notă: Caseta pentru praf trebuie golită atunci când este pe jumătate plină pentru a menține o colectare optimă de praf.

Montarea și îndepărtarea hârtiei abrazive pentru șlefuit (Fig. C, D)

Mașina de șlefuit este adecvată pentru șlefuirea prin hârtie abrazivă cu și fără sistem de fixare Velcro.

Montarea și îndepărtarea hârtiei abrazive cu fixare Velcro

- Țineți mașina pe lateral sau cu partea de sus în jos, așa cum se arată în Fig. C
- Montați hârtia abrazivă pentru șlefuit (8) cu granulația necesară pe talpa de șlefuit (4). Asigurați-vă că perforația de pe hârtia abrazivă pentru șlefuit (8) corespunde cu perforația de pe talpa de șlefuit (4).
- Pentru a îndepărta hârtia abrazivă pentru șlefuit (8), pur și simplu trageți-o de pe talpa de șlefuit (4).

Montarea și îndepărtarea hârtiei abrazive fără fixare Velcro

- Deschideți clemele pentru hârtia abrazivă (5).
- Montați hârtia abrazivă pentru șlefuit (8) cu granulația necesară pe talpa de șlefuit (4).
- Îndoțiți hârtia abrazivă (8) la ambele capete în jurul marginilor tălpii de șlefuit (4).
- Închideți unul câte unul clemele pentru hârtie abrazivă (5). Asigurați-vă că capetele hârtiei abrazive (8) sunt strânse.

- Pentru a îndepărta hârtia de șlefuit (8), deschi-deți mai întâi clemele (5) și apoi scoateți hârtia de șlefuit (8) de pe talpa de șlefuit (4).

Notă: Folosiți hârtie abrazivă pentru șlefuit grosieră pentru șlefuirea suprafețelor aspre și inegale.

Folosiți hârtie abrazivă pentru șlefuit medie pentru a îndepărta zgârieturile rămase de la hârtia abrazivă pentru șlefuit grosieră. Folosiți hârtie abrazivă pentru șlefuit fină pentru finisarea suprafețelor.

4 OPERAREA

Pornirea și oprirea (Fig. A)

- Pentru a porni mașina, apăsați comutatorul de pornire/oprire (1) în poziția I.
- Pentru a opri mașina, apăsați comutatorul de pornire/oprire (1) în poziția 0.

Setarea vitezei (Fig. A)

Discul de reglare a vitezei este utilizat pentru setarea vitezei. Discul de reglare a vitezei poate fi setat pe 7 poziții. Viteza ideală depinde de granulația necesară și de materialul care trebuie prelucrat.



Nu setați viteza în timpul utilizării.

Sfaturi pentru utilizarea optimă

- Țineți bine mașina cu ambele mâini.
- Porniți mașina.
- Așezați talpa de șlefuit cu șmirghel pe piesa de prelucrat.
- Deplasați încet mașina peste piesa de prelucrat, apăsând ferm talpa de șlefuit pe piesa de prelucrat.
- Nu aplicați o presiune excesivă asupra mașinii. Lăsați mașina să execute operația.

5. ÎNTREȚINEREA



Deconectați întotdeauna aparatul de la alimentare înainte de a efectua întreținerea.

Curățați regulat carcasa cu o cârpă moale, de preferat după fiecare utilizare. Curățați fantele de aerisire de praf și murdărie. Îndepărtați murdăria persistentă cu o cârpă moale înmuiată în clăbuci de săpun. Nu folosiți solvenți precum benzină, alcool, amoniac, etc. Astfel de substanțe chimice vor deteriora componentele sintetice.

MEDIU



Aparatele electrice sau electronice deteriorate și/sau defecte trebuie colectate în locurile de reciclare corespunzătoare.

Numai pentru țările din CE

Nu aruncați echipamentele acționate electric împreună cu gunoii menajer. Conform Indicației europene 2012/19/CE pentru echipamente electrice și electronice uzate și a implementării sale la nivel național, echipamentele acționate electric scoase din uz trebuie colectate separat și evacuate într-o manieră ecologică.

GARANȚIE

Produsele VONROC sunt realizate la cele mai înalte standarde de calitate și sunt garantate în privința materialelor și a manoperei pentru întreaga perioadă de utilizare în garanție, începând cu data achiziției. În cazul în care produsul prezintă defecțiuni în perioada de garanție din cauza materialului defect și/sau a manoperei, contactați direct VONROC.

Următoarele circumstanțe sunt excluse de la această garanție:

- Reparațiile sau modificările care realizate sau care s-au încercat a fi efectuate de centre de service neautorizate;
- Uzura în condiții normale de utilizare;
- Unealta care a fost abuzată, utilizată într-un mod neglijent sau întreținută în mod inadecvat;
- Folosirea unor piese de schimb neoriginale.

Aceasta acoperă garanția companiei, explicită sau implicită. Nu există alte garanții explicite sau implicite care să se extindă dincolo de cele indicate aici, incluzând garanțiile, vandabilitatea sau adecvarea pentru un anumit scop. În nicio situație, VONROC nu este responsabil pentru daunele incidentale sau consecvențiale. Reparațiile efectuate de reprezentant trebuie să fie limitate la reparațiile sau la înlocuirea unităților sau a pieselor neconforme.

Produsul și manualul de utilizare pot suferi modificări. Specificațiile se pot modifica fără notificare prealabilă.

1. INSTRUÇÕES DE SEGURANÇA

Leia os avisos de segurança fornecidos, os avisos de segurança adicionais e as instruções. O não cumprimento dos avisos de segurança e das instruções pode resultar em choque eléctrico, incêndio e/ou ferimentos graves. Guarde os avisos de segurança e as instruções para referência futura.

Os seguintes símbolos são utilizados no manual do utilizador ou no equipamento:



Leia o manual do utilizador.



Indica o risco de ferimentos, morte ou danos na ferramenta se as instruções indicadas neste manual não forem seguidas.



Risco de choque eléctrico.



*Use óculos de segurança.
Use protecção auricular.*



Use uma máscara de poeiras.



Máquina de classe II - isolamento duplo - Não é necessária uma ficha de ligação à terra.



O produto está em conformidade com as normas de segurança aplicáveis nas directivas europeias.

AVISOS GERAIS DE SEGURANÇA SOBRE A FERRAMENTA ELÉCTRICA



ATENÇÃO! Leia todos os avisos de segurança e instruções. O não cumprimento dos avisos e das instruções pode causar choque eléctrico, incêndio e/ou ferimentos graves.

Guarde todos os avisos e instruções para referência futura.

O termo “ferramenta eléctrica” indicado nos avisos diz respeito à ferramenta eléctrica com alimentação pela rede (com fio) ou por bateria (sem fio).

1) Segurança na área de trabalho

- a) **Mantenha a área de trabalho limpa e devidamente iluminada.** As áreas obstruídas ou escuras são propícias a acidentes.

- b) **Não utilize ferramentas eléctricas em atmosferas explosivas, por exemplo, na presença de líquidos inflamáveis, gases ou pó.** As ferramentas eléctricas produzem faíscas que podem causar ignição de pó ou vapores.
- c) **Quando utilizar uma ferramenta eléctrica, mantenha as crianças e transeuntes afastados.** As distrações podem causar perda de controlo.

2) Segurança eléctrica

- a) **As fichas da ferramenta eléctrica devem corresponder à tomada. Nunca modifique, de forma alguma, a ficha. Não utilize quaisquer fichas adaptadoras com ferramentas eléctricas ligadas à terra (massa).** As fichas e tomadas correspondentes não modificadas reduzem o risco de choque eléctrico.
- b) **Evite o contacto do corpo com superfícies ligadas à terra ou massa, como tubos, radiadores, fogões ou frigoríficos.** Há maior risco de choque eléctrico se o corpo estiver ligado à terra ou à massa.
- c) **Não exponha as ferramentas eléctricas à chuva ou a ambientes húmidos.** A entrada de água numa ferramenta eléctrica aumenta o risco de choque eléctrico.
- d) **Não utilize o cabo de maneira abusiva. Nunca utilize o cabo para transportar, puxar ou desligar a ferramenta eléctrica. Mantenha o cabo afastado de fontes de calor, óleo, extremidades afiadas ou peças móveis.** Se os cabos estiverem danificados ou enrolados, há maior risco de choque eléctrico.
- e) **Quando utilizar uma ferramenta eléctrica no exterior, opte por uma extensão adequada para utilização no exterior.** A utilização de um cabo adequado para utilização no exterior reduz o risco de choque eléctrico.
- f) **Se não for possível evitar trabalhar com uma ferramenta eléctrica num local húmido, utilize uma fonte de alimentação protegida por um dispositivo diferencial residual (DDR).** A utilização de um DDR reduz o risco de choque eléctrico.

3) Segurança eléctrica

- a) **Esteja atento, preste atenção ao que está a fazer e tenha bom senso quando utilizar uma ferramenta eléctrica. Não utilize uma ferramenta eléctrica se estiver cansado ou sob o efeito de drogas, álcool ou medicamentos.** Um momento

- de distração durante a utilização de ferramentas eléctricas pode resultar em ferimentos graves.
- b) **Use equipamento de protecção individual. Use sempre protecção ocular.** O equipamento de protecção, como, por exemplo, máscara de poeiras, sapatos de segurança antiderrapantes, capacete de segurança ou protecção auditiva, utilizado nas condições adequadas, reduz o risco de ferimentos.
- c) **Evite accionamentos acidentais. Assegure-se de que o interruptor está desligado antes de ligar a ferramenta à corrente eléctrica e/ou as baterias e antes de levantar ou transportar a ferramenta.** O transporte de ferramentas eléctricas com o dedo colocado no interruptor ou a ligação à corrente das ferramentas eléctricas com o interruptor ligado pode dar origem a acidentes.
- d) **Retire eventuais chaves de ajuste ou chaves de fendas antes de ligar a ferramenta eléctrica.** Uma chave de fendas ou de ajuste montada numa peça rotativa da ferramenta eléctrica pode causar ferimentos.
- e) **Não tente chegar a pontos fora do alcance. Mantenha-se sempre numa posição firme e bem equilibrada.** Desta forma, é mais fácil controlar a ferramenta eléctrica em situações inesperadas.
- f) **Use vestuário adequado. Não use roupa larga ou jóias. Mantenha o cabelo, a roupa e as jóias afastados das peças móveis.** As roupas largas, as jóias ou o cabelo comprido podem ficar presos nestas peças.
- g) **Se for prevista a montagem de dispositivos de extracção e recolha de pó, assegure-se de que estão ligados e que são utilizados de forma correcta.** A utilização de dispositivos de extracção de pó pode reduzir os riscos inerentes.
- h) **Não permita que a familiaridade obtida através do uso frequente de ferramentas faça com que seja complacente e ignore os princípios de segurança da ferramenta.** Uma acção irreflectida pode causar ferimentos graves numa fracção de segundos.
- 4) Utilização e cuidados a ter com a ferramenta com baterias**
- a) **Não sobrecarregue a ferramenta eléctrica. Utilize a ferramenta eléctrica correcta para o seu trabalho.** A ferramenta eléctrica adequada efectua o trabalho de maneira mais eficiente e segura se for utilizada de acordo com a capacidade para a qual foi concebida.
- b) **Não utilize a ferramenta eléctrica se não conseguir ligar ou desligar o interruptor.** Qualquer ferramenta eléctrica que não possa ser controlada através do interruptor é perigosa e deve ser reparada.
- c) **Retire a ficha da fonte de alimentação e/ou a bateria da ferramenta eléctrica, caso seja possível fazê-lo, antes de efectuar quaisquer ajustes, substituir acessórios ou guardar ferramentas eléctricas.** Estas medidas de segurança preventivas reduzem o risco de ligar a ferramenta eléctrica acidentalmente.
- d) **Mantenha as ferramentas eléctricas que não estiverem a ser utilizadas fora do alcance das crianças. Não permita que a ferramenta eléctrica seja utilizada por pessoas não familiarizadas com a mesma ou que não tenham lido estas instruções.** As ferramentas eléctricas são perigosas nas mãos de pessoas que não possuam as qualificações necessárias para manuseá-las.
- e) **Faça a manutenção das ferramentas eléctricas. Verifique se as peças móveis da ferramenta eléctrica estão alinhadas e não emperram, bem como se existem peças partidas ou danificadas ou quaisquer outras situações que possam afectar o funcionamento da mesma. Se a ferramenta eléctrica estiver danificada, esta só deve ser utilizada depois de ser reparada.** Muitos acidentes têm como principal causa ferramentas eléctricas com uma manutenção insuficiente.
- f) **Mantenha as ferramentas de corte afiadas e limpas.** As ferramentas de corte sujeitas a uma manutenção adequada, com arestas de corte afiadas, bloqueiam com menos frequência e controlam-se com maior facilidade.
- g) **Utilize a ferramenta eléctrica, os acessórios e as peças de ferramenta, etc., de acordo com estas instruções, considerando as condições de trabalho e a tarefa a ser executada.** A utilização da ferramenta eléctrica para fins diferentes dos previstos pode resultar em situações perigosas.
- h) **Mantenha as pegas e as superfícies de fixação secas, limpas e sem óleo e gordura.** Os punhos e pegas não permitem o manuseamento e o controlo seguros da ferramenta em situações inesperadas.

- 5) Utilização e cuidados a ter com a ferramenta com baterias**
- Recarregue apenas com o carregador especificado pelo fabricante.** Um carregador adequado para um tipo de bateria pode causar um incêndio se for utilizado com outra bateria.
 - Utilize apenas ferramentas eléctricas que tenham baterias especificamente concebidas.** A utilização de outro tipo de baterias pode causar ferimentos e incêndio.
 - Não utilize a bateria, mantenha-a afastada de outros objectos metálicos, tais como cliques para papel, moedas, chaves, pregos, parafusos ou outros pequenos objectos metálicos que permitam fazer a ligação entre terminais.** O curto-circuito dos terminais da bateria pode causar queimaduras ou um incêndio.
 - Em condições abusivas, pode derramar líquido da pilha, devendo evitar o contacto. Se tocar acidentalmente no líquido, lave bem com água. Se o líquido entrar em contacto com os olhos, consulte um médico.** O líquido derramado da bateria pode causar irritação ou queimaduras.
 - Não utilize baterias ou ferramentas danificadas ou modificadas.** As baterias danificadas ou modificadas podem ter um comportamento inesperado, resultando em incêndio, explosão ou risco de ferimentos.
 - Não exponha a bateria ou as ferramenta ao fogo ou a temperaturas excessivas.** A exposição a fogo ou a temperaturas superiores a 130 °C pode causar uma explosão. NOTA: a temperatura "130 °C" pode ser substituída pela temperatura "265 °F".
 - Siga todas as instruções de carregamento e não carregue a bateria ou ferramenta fora do intervalo de temperaturas especificado nas instruções.** O carregamento inadequado ou de acordo com temperaturas fora do intervalo especificado pode danificar a bateria e aumentar o risco de incêndio.
- 6) Assistência**
- A sua ferramenta eléctrica deve ser reparada apenas por pessoal qualificado e só devem ser utilizadas peças sobresselentes idênticas.** Desta forma, é garantida a segurança da ferramenta eléctrica.
 - Nunca repare baterias danificadas.** A reparação de baterias deve ser efectuada apenas pelo

fabricante ou fornecedores de assistência autorizados.

AVISOS ADICIONAIS DE SEGURANÇA

- Não utilize folhas de lixa muito grandes, siga as especificações do fabricante para saber qual é o tamanho adequado. As folhas de lixa que fiquem salientes em relação ao prato de lixar podem causar ferimentos, bem como bloquear e rasgar as folhas de lixa ou causar o efeito de recuo.
- Não é recomendável lixar tinta à base de chumbo. A tinta à base de chumbo deve ser removida apenas por um especialista.
- Não trabalhe materiais que libertem substâncias perigosas (por exemplo, amianto). Tome precauções se forem produzidas pós perigosos para a saúde, combustíveis ou explosivos. Use uma máscara de poeiras protectora. Utilize um dispositivo de extracção de pó.
- Não trabalhe com materiais que contenham amianto. O amianto é considerado cancerígeno.
- Não utilize a máquina para lixar peças de magnésio.
- Use óculos de segurança. Use protecção auricular. Se necessário, utilize outros meios de protecção, por exemplo, luvas de segurança, sapatos de segurança, etc.
- Segure a máquina pelas superfícies de fixação isoladas se o acessório entrar em contacto com cablagem escondida ou o cabo de rede. Se o acessório entrar em contacto com um fio sob tensão, as peças metálicas expostas da máquina podem ficar sob tensão. Risco de choque eléctrico.
- Tenha muito cuidado quando lixar superfícies pintadas.
- Antes de utilizar, retire todos os pregos e outros objectos metálicos da peça de trabalho.
- Verifique se a peça de trabalho está bem apoiada ou fixada.
- Utilize apenas uma lixa adequada para utilização com a máquina.
- Utilize apenas uma lixa com as dimensões correctas. Verifique se a lixa está montada correctamente.
- Inspeccione a lixa antes de cada utilização. Não utilize uma lixa gasta devido a utilização prolongada.
- Nunca coloque a máquina virada para baixo numa mesa ou uma bancada antes de desligá-la.

Segurança eléctrica



Verifique sempre se a tensão da fonte de alimentação corresponde à tensão indicada na etiqueta da placa sinalética.

- Não utilize a máquina se o cabo de alimentação ou a ficha estiverem danificados.
- Utilize apenas extensões que sejam adequadas para a potência nominal da máquina com uma espessura mínima de 1,5 mm². Se utilizar um enrolador de extensão, desenrole sempre o cabo por completo.

2. INFORMAÇÕES SOBRE A MÁQUINA

Utilização pretendida

A máquina é concebida para lixar madeira, plásticos e metal. Esta máquina é adequada apenas para lixagem a seco. A máquina não é adequada para processar objectos que contenham amianto. A utilização indevida pode danificar a ferramenta.

ESPECIFICAÇÕES TÉCNICAS

Modelo n.º	OS501AC
Tensão	230-240 V ~
Frequência	50 Hz
Alimentação	240 W
Velocidade sem carga	6000 a 11000/min
Diâmetro do prato de lixar	92 x 187 mm
Peso	1,7 kg
Nível de pressão sonora L _{PA}	73 + 3 dB(A)
Nível de potência sonora L _{WA}	84 + 3 dB(A)
Vibração	1,77 + 1,5 m/s ²



Use protecção auricular.

Nível de vibração

O nível de emissão de vibrações indicado neste manual de instruções foi medido em conformidade com um teste padrão especificado pela norma EN 62841; pode ser utilizado para comparar ferramentas e como avaliação preliminar da exposição a vibrações quando utilizar a ferramenta nas aplicações indicadas.

- A utilização da ferramenta para aplicações diferentes, ou com acessórios diferentes ou com uma manutenção deficiente, pode aumentar consideravelmente o nível de exposição.

- O número de vezes que a ferramenta é desligada ou está ligada, mas não está a ser utilizada, pode reduzir significativamente o nível de exposição.

Proteja-se dos efeitos da vibração, através de uma manutenção da ferramenta e dos respectivos acessórios, mantendo as mãos quentes e organizando os seus padrões de trabalho.

DESCRIÇÃO

Os números indicados no texto dizem respeito aos diagramas na página 2.

1. Interruptor para ligar/desligar
2. Punho principal
3. Caixa de pó
4. Prato de lixar
5. Grampo para lixa
6. Punho auxiliar
7. Botão de ajuste da velocidade
8. Lixa

3. MONTAGEM



Antes de efectuar a montagem, desligue sempre a máquina e retire a ficha da tomada de corrente.

Instalar a caixa de pó (Fig. B)

Recomenda-se vivamente a utilização da máquina com a caixa de pó (3) para garantir uma recolha de pó adequada.

- Encaixe a ranhura na caixa de pó sobre o entalhe na saída de pó traseira.
- Para garantir um encaixe firme da caixa de pó, empurre a caixa de pó até ouvir um ruído de encaixe.

Nota: A caixa de pó deve ser esvaziada quando estiver meio cheia, para manter uma boa recolha do pó.

Montar e retirar a lixa (Fig. C, D)

A lixadeira é adequada para lixar papel com e sem um sistema de fixação sem gancho e laço.

Montar e retirar a lixa com a fixação com gancho e laço

- Segure na máquina de lado ou virada ao contrário, como indicado na Fig. C.

- Monte a lixa (8) com o tamanho de grão necessário no prato de lixar (4). Certifique-se de que a perfuração na lixa (8) corresponde ao furo no prato de lixar (4).
- Para retirar a lixa (8), basta puxar a lixa do prato de lixar (4).

Montar e retirar a lixa sem a fixação com gancho e laço

- Abra os grampos da lixa (5).
- Monte a lixa (8) com o tamanho de grão necessário no prato de lixar (4).
- Dobre a lixa (8) em ambas as extremidades à volta das arestas do prato de lixar (4).
- Feche os grampos da lixa (5) um a um. As extremidades da lixa (8) devem estar fixadas.
- Para retirar a lixa (8), abra primeiro os grampos da lixa (5) e, em seguida, retire a lixa (8) do prato de lixar (4).

Nota: Utilize uma lixa grossa para lixar superfícies ásperas e irregulares. Utilize uma lixa média para retirar os riscos restantes da lixa grossa. Utilize uma lixa fina para fazer o acabamento de superfícies.

4. FUNCIONAMENTO

Ligar e desligar (Fig. A)

- Para desligar a máquina, empurre de novo o interruptor para ligar/desligar (1) para a posição I.
- Para desligar a máquina, empurre de novo o interruptor para ligar/desligar (1) para a posição O.

Regular a velocidade (Fig. A)

O botão de regulação da velocidade é utilizado para regular a velocidade. O botão de regulação da velocidade pode ser regulado para 7 posições. A velocidade adequada varia consoante o tamanho do grão e do material no qual pretende trabalhar.



Não regule o ângulo de esquadria durante a utilização.

Sugestões para uma excelente utilização

- Segure a máquina firmemente com ambas as mãos.
- Ligue a máquina.
- Coloque o prato de lixar com a lixa na peça de trabalho.

- Mova a máquina lentamente ao longo da peça de trabalho, premindo o prato de lixar com firmeza contra a peça de trabalho.
- Não aplique demasiada pressão na máquina. Deixe a máquina fazer o trabalho.

5. MANUTENÇÃO



Desligue a máquina da fonte de alimentação antes de efectuar quaisquer tarefas de manutenção.

Limpe a caixa da máquina com regularidade com um pano macio, de preferência após cada utilização. As aberturas de ventilação não devem ter pó ou sujidade. Retire a sujidade muito persistente com um pano macio humedecido com água de sabão. Não utilize solventes, como gasolina, álcool, amoníaco, etc. Este tipo de produtos químicos danificam os componentes sintéticos.

AMBIENTE



Os equipamentos eléctricos ou electrónicos defeituosos e/ou eliminados devem ser recolhidos em locais de reciclagem adequados.

Apenas para os países da CE

Não elimine as ferramentas eléctricas em conjunto com os resíduos domésticos. De acordo com a directiva europeia 2012/19/CE sobre resíduos de equipamentos eléctricos e electrónicos e a respectiva implementação na legislação nacional, as ferramentas eléctricas que já não sejam utilizadas devem ser recolhidas em separado e eliminadas de maneira ecológica.

GARANTIA

Os produtos da VONROC são desenvolvidos de acordo com os padrões de qualidade mais elevados e não têm quaisquer defeitos em termos de materiais e mão-de-obra em relação ao período estipulado por lei, cujo início é a partir da data de compra original. Se o equipamento apresentar qualquer falha durante este período devido a qualquer defeito no material e/ou de mão-de-obra, contacte a VONROC directamente.

As seguintes circunstâncias estão excluídas desta garantia:

- Se forem efectuadas ou tentadas quaisquer reparações e/ou alterações na máquina por centros de assistência não autorizados;
- Desgaste normal;
- Se a ferramenta foi utilizada de maneira abusiva, indevida ou a manutenção for efectuada de maneira incorrecta;
- Se forem utilizadas peças sobresselentes não originais.

Isto constitui a única garantia feita pela empresa, de maneira expressa ou implícita. Não existem quaisquer outras garantias expressas ou implícitas que se prolonguem, incluindo as garantias implícitas de comercialização e adequação para fins específicos. A VONROC não será, em nenhuma circunstância, responsável por danos incidentais ou indirectos. Os fornecedores devem estar limitados a reparar ou substituir as unidades ou peças que não estejam em conformidade.

O equipamento e o manual do utilizador estão sujeitos a alterações sem aviso prévio. As especificações podem ser alteradas sem aviso prévio.

1. BIZTONSÁGI UTASÍTÁSOK

Olvasa el a mellékelt biztonsági figyelmeztetéseket, a kiegészítő biztonsági figyelmeztetéseket és az utasításokat. A figyelmeztetések és utasítások be nem tartása áramütéshez, tűz keletkezéséhez vagy akár súlyos személyi sérüléshez vezethet. Őrizze meg a biztonsági figyelmeztetéseket és az utasításokat, hogy azokat később is használhassa referenciaként.

A használati útmutatóban és a terméken a következő jelölésekkel találkozhat:



Olvasa el a használati útmutatót.



Jelzi a személyi sérülések, az életveszély vagy a szerszám károsodásának veszélyét.



Áramütés veszélye.



*Viseljen biztonsági szemüveget.
Viseljen hallásvédő eszközt.*



Viseljen porvédő álarcot.



*II. osztályú gép - Dupla szigetelés -
Nincs szükség földelt csatlakozódugóra.*



A termék megfelel az európai irányelvek releváns biztonsági követelményeinek.

AZ ELEKTROMOS SZERSZÁMOKRA VONATKOZÓ ÁLTALÁNOS BIZTONSÁGI FIGYELMEZTETÉSEK



FIGYELMEZTETÉS! Olvasson el minden biztonsági figyelmeztetést és utasítást.

A figyelmeztetések és az utasítások be nem tartása áramütést, tüzet és/vagy súlyos sérülést okozhat.

Az összes figyelmeztetést és utasítást őrizze meg, mert később még szüksége lehet rájuk.

A figyelmeztetésekben szereplő „elektromos szerszám” kifejezés hálózatról működő (vezetékes) elektromos szerszámra vagy akkumulátorral működő (vezeték nélküli) elektromos szerszámra utal.

1) A munkaterület biztonsága

- a) **Gondoskodjon a munkaterület tisztaságáról és megfelelő megvilágításáról.** A rendezetlen és sötét területeken valószínűbb a balesetek előfordulása.

- b) **Ne használjon elektromos szerszámot robbanásveszélyes környezetben, pl. gyúlékony folyadékok, gázok vagy por jelenlétében.** Az elektromos szerszámok használata során keletkező szikra lángra lobbanthatja a port és a füstöt.
- c) **Az elektromos szerszám használata során a gyermekeket és a közelben tartózkodó személyeket tartsa távol a munkaterülettől.** Ha valami eltereli a figyelmét, elveszíheti az irányítást.
- 2) Elektromos biztonság**
- a) **Az elektromos szerszám dugóinak megfelelőnek kell lenniük az aljzathoz. Soha ne próbálja semmilyen módon módosítani a dugót. Földelt elektromos szerszámhoz ne használjon semmilyen adapterdugót.** Az eredeti (értsd: módosítás nélküli) dugók és megfelelő hálózati aljzatok használatával mérsékelhető az elektromos áramütés veszélye.
- b) **Ügyeljen arra, hogy teste ne érintkezzen földelt felületekkel, például csővezetékekkel, radiátorral, tűzhellyel vagy hűtőszekrénnel.** Ha teste földelődik, megnő az áramütés kockázata.
- c) **Óvja az elektromos szerszámokat az esőtől és nedves környezettől.** Az elektromos szerszám-ba kerülő víz növeli az elektromos áramütés veszélyét.
- d) **Ne használja helytelenül (nem előírászerűen) a kábelt. A kábelt soha ne használja az elektromos szerszám hordozására, húzására vagy az aljzathoz történő kihúzására. A kábelt tartsa távol hőforrásoktól, olajtól, hegyes élektől és mozgó alkatrészekről.** A sérült vagy megtekeredett kábelek növelik az elektromos áramütés veszélyét.
- e) **Az elektromos szerszám kültéri használata esetén kültéri használatra alkalmas hosszabító kábelt használjon.** A kültéri használatra alkalmas kábel használatával mérsékelhető az elektromos áramütés veszélye.
- f) **Ha az elektromos szerszámot mindenképpen nedves környezetben kell használni, akkor használjon áramvédő kapcsolóval (RCD) ellátott tápforrást.** Az áramvédő kapcsolóval ellátott tápforrás használatával mérsékelhető az elektromos áramütés veszélye.
- 3) Személyi biztonság**
- a) **Az elektromos szerszám használata során maradjon éber, koncentráljon az éppen végzett műveletre és használja a józan ítélőképességét. Ha fáradt, vagy ha kábítószert, alkohol vagy gyógyszer hatása alatt áll, ne használjon elektromos szerszámot.** Az elektromos szerszám használata közben egyetlen pillanatnyi figyelmetlenség is súlyos személyi sérülést okozhat.
- b) **Használjon egyéni védőfelszerelést. Mindig viseljen szemvédő felszerelést.** A megfelelő körülményekhez való védőeszközökkel (például pormaszkkal, csúszásgátló biztonsági cipővel, munkavédelmi sisakkal vagy hallásvédő eszközzel) csökkenthető a személyi sérülések kockázata.
- c) **Gondoskodjon a gép véletlen elindulásának megelőzéséről. A szerszám tápforráshoz és/vagy akkumulátorcsomaghoz történő csatlakoztatása, kézbevétele vagy hordozása előtt győződjön meg róla, hogy a kapcsoló OFF (kikapcsolt) állásban van.** Ha úgy hordozza az elektromos szerszámot, hogy az ujjá a kapcsolón van, vagy úgy helyezi feszültség alá, hogy a kapcsolója ON (bekapcs.) helyzetben van, ez növeli a balesetek kockázatát.
- d) **Az elektromos szerszám bekapcsolása előtt távolítsa el a csavarkulcsokat vagy beállító kulcsokat.** Az elektromos szerszám forgó alkatrészein felejtett csavarkulcs vagy beállító kulcs személyi sérülést okozhat.
- e) **Ne próbáljon túlnyújtóztatva vagy kitekeredett testhelyzetben dolgozni. Mindig két lábbal, egyensúlyát megtartva álljon a talajon.** Így könnyebben tudja irányítani az elektromos szerszámot a váratlan helyzetekben.
- f) **Viseljen megfelelő öltözetet. Ne viseljen laza ruhát vagy ékszert. Haját, ruháját és kesztyűjét tartsa távol a mozgó alkatrészekről.** A mozgó alkatrészek behúzzhatják a ruhákat, az ékszereket és a hosszú haját.
- g) **Ha a szerszámhoz porelszívó és porgyűjtő eszköz is lehet csatlakoztatni, akkor gondoskodjon ezek csatlakoztatásáról és megfelelő használatáról.** A porgyűjtő rendszerek használatával csökkenthető a porral kapcsolatos veszélyek.
- h) **Ne engedje, hogy a szerszámok gyakori használata során szerzett tapasztalatai túlzott biztonságérzetet keltsenek Önben, és amiatt elhanyagolja a biztonsági alapelveket.** Gondatlan cselekvés már a másodperc töredéke alatt is súlyos sérülést okozhat.
- 4) Az elektromos szerszám használata és ápolása**
- a) **Az elektromos szerszámot tilos túlzott erőfeszítéssel használni. Az alkalmazási célnak**

megfelelő elektromos szerszámot használjon.

A megfelelő elektromos szerszám jobban és biztonságosabban végzi a munkát azon a fordulatszámon, amire azt tervezték.

- b) **Ne használja az elektromos szerszámot, ha az nem kapcsolható be/ki a főkapcsolóval.** Bár-mely elektromos szerszám veszélyes lehet, amit a kapcsolóval nem lehet irányítani, ezért az ilyen elektromos szerszámot meg kell javíttatni.
- c) **Válassza le a dugót a tápforrásról és/vagy az akkumulátorcsomagot az elektromos szerszámról, mielőtt bármilyen módosítást végez, tartozékot cserél vagy eltávolítja az elektromos szerszámot.** Ezekkel a megelőző biztonsági intézkedésekkel csökkenthető az elektromos szerszám véletlen elindulásának a kockázata.
- d) **A használaton kívüli elektromos szerszámot olyan helyen tárolja, ahol gyermekek nem férhetnek hozzá; ne engedje, hogy olyan személyek használják, akik az elektromos szerszámot és ezeket az utasításokat nem ismerik.** Az elektromos szerszám szakképzetlen felhasználók kezében rendkívül veszélyes lehet.
- e) **Tartsa karban az elektromos szerszámokat.** Ellenőrizze, hogy a mozgó alkatrészek nem állítódta-e el vagy nem szorulnak-e, nincsenek-e a szerszámon törött alkatrészek, és nem állnak-e fenn olyan körülmények, amelyek befolyásolhatják a szerszám működését. Ha az elektromos szerszám sérült, használat előtt javíttassa meg. A hanyagul karbantartott elektromos szerszámok sok balesetet okoznak.
- f) **Tartsa élesen és tisztán a vágószerszámokat.** A megfelelően karbantartott, éles vágószerszámok beszorulásának kisebb a valószínűsége, ráadásul könnyebben irányíthatók.
- g) **Az elektromos szerszámot, tartozékokat és szerszámszárakat stb. a használati útmutatónak megfelelően használja, a munkakörülmények és az elvégzendő feladat figyelembevételével.** Ha a szerszámgépet a rendeltetési céljától eltérően használják, ez veszélyhelyzetet teremthet.
- h) **Tartsa a fogantyúkat és egyéb markolási felületeket szárazon, tisztán, olajtól és zsírtól mentesen.** Váratlan helyzetekben a csúszós fogantyúk és egyéb markolási felületek akadályozzák a szerszám biztonságos kezelését és irányítását.

5) Az akkumulátoros szerszám használata és ápolása

- a) **Újratöltéshez csak a gyártó által megjelölt töltőt használja.** Az egyik akkumulátorhoz

megfelelő töltő másikkal töltővel használva tűzveszélyes lehet.

- b) **Csak a kifejezetten hozzájuk készült akkumulátorral használja az elektromos szerszámokat.** Bármilyen másfajta akkumulátor használata tűz- és balesetveszélyt idézhet elő.
- c) **Amikor nem használja az akkucsomagot, tartsa azt távol minden fémes tárgytól, például tűzőkapocstól, érmétől, kulcstól, szögtől, csavartól és minden más apró fémtárgytól, amely az érintkezőket rövidre zárhatja.** Az akkumulátor kapcsok rövidre zárása égési sérülést vagy tüzet okozhat.
- d) **Nem előírászerű körülmények között az akkumulátorból folyadék szivároghat; kerülje a vele való érintkezést. Ha véletlenül mégis a bőrre kerül, vízzel öblítse le. Ha a folyadék szembe kerül, ezenkívül forduljon orvoshoz is.** Az akkumulátorból származó folyadék bőrizgató hatású, égési sérülést is okozhat.
- e) **Sérült vagy átalakított akkucsomagot és szerszámot ne használjon.** A sérült vagy átalakított akkumulátorok kiszámíthatatlanul viselkedhetnek, tüzet, robbanást vagy sérülést okozhatnak.
- f) **Tűztől és szélsőséges hőmérséklettől óvja az akkucsomagot és a szerszámot.** Ha tűznek vagy 130 °C-on felüli hőmérsékletnek teszi ki, robbanást okozhat. MEGJEGYZÉS: a „130 °C” „265 °F”-nak (Fahrenheit foknak) felel meg.
- g) **Tartsa be a töltésre vonatkozó összes utasítást, és ne töltsen az akkucsomagot vagy a szerszámot a kezelési útmutatóban megadott tartományon kívül eső hőmérséklet mellett.** Nem megfelelő vagy a megadott tartományon kívüli hőmérséklet mellett történő töltés károsíthatja az akkumulátort, és tűzveszéllyel jár.

6) Szerviz

- a) **Az elektromos szerszámot képzett javító szakemberrel javíttassa, csakis az eredetivel azonos pótalkatrészeket használjon fel.** Ez biztosítja, hogy a villamos kéziszerszám továbbra is biztonságos maradjon.
- b) **Sérült akkucsomagot soha ne szervizeljen.** Akkucsomagok szervizelését csak a gyártó vagy annak megbízott szolgáltatója végezheti.

TOVÁBBI BIZTONSÁGI UTASÍTÁSOK

- Ne használjon túlméretes csiszolópapírt, kövesse a gyártónak a csiszolópapír méretére vonatkozó utasításait. Ha a csiszolópapír túllóg a csiszolótalpon, az sérülést okozhat, de blok-

kolthatja vagy elszakíthatja a papírt és visszará-
gást okozhat.

- Ólomtartalmú festék csiszolása nem javasolt. Az ólomtartalmú festéket kizárólag szakember távolíthatja el.
- Ne dolgozzon olyan anyagokon, amelyekből veszélyes anyagok szabadulhatnak fel (pl. azbeszt). Tegye meg a megfelelő óvintézkedéseket, ha esély van rá, hogy gyúlékony vagy robbanékony por keletkezzen. Viseljen por ellen védő maszkot. Használjon porelszívó berendezést.
- Ne dolgozzon azbeszttel tartalmazó anyagokon. Az azbeszt rákkeltő anyagnak minősül.
- Ne használja a gépet magnézium munkadarabok csiszolására.
- Viseljen biztonsági szemüveget. Viseljen hallásvédő eszközt.
Ha szükséges, használjon más védőeszközöket, például védőkesztyűt, védőcipőt stb.
- Tartsa a gépet a szigetelt megfogható felületeknél fogva, ha a tartozék érintkezhet rejtett vezetékekkel vagy a hálózati kábellel. Ha a tartozék feszültség alatt álló vezetékkel érintkezik, a gép szabadon lévő fém alkatrészei is feszültség alá kerülhetnek. Áramütés veszélye.
- Legyen nagyon óvatos, amikor festett felületeket csiszol.
- Használat előtt távolítson el minden szöveget és egyéb fémtárgyat a munkadarabról.
- Győződjön meg arról, hogy a munkadarabot megfelelően megtámasztotta vagy rögzítette.
- Kizárólag a gép használatához alkalmas csiszolópapírt használjon.
- Kizárólag megfelelő méretű csiszolópapírt használjon. Győződjön meg róla, hogy a csiszolópapír megfelelően rögzítve van.
- Minden egyes használat előtt ellenőrizze a csiszolópapírt. Ne használjon olyan csiszolópapírt, amely a hosszan tartó használat miatt elhasználódott.
- Soha ne tegye le a gépet asztalra vagy munkapadra, amíg ki nem kapcsolta.

Elektromos biztonság



Mindig ellenőrizze, hogy a tápellátás megfelel-e az adattáblán feltüntetett feszültségnek.

- Ne használja a gépet, ha a hálózati kábel vagy a hálózati csatlakozódugó sérült.
- Csak olyan hosszabbító kábelt használjon amely megfelel a berendezés névleges teljesítményé-

nek és legalább 1,5 mm² vastag. Ha kábeldobot használ a hosszabbító kábelhez, mindig teljesen tekerje le a kábelt.

2. AZ ESZKÖZ ADATAI

Rendeltetésszerű használat

A gépet fa, műanyag és fém csiszolására terveztük. Ez a gép csak száraz csiszolásra alkalmas. A gép nem alkalmas azbeszttartalmú anyagok megmunkálására. A nem rendeltetésszerű használat károsíthatja a szerszámot.

MŰSZAKI ADATOK

Modellazonosító	OS501AC
Feszültség	230-240 V ~
Frekvencia	50 Hz
Felvett teljesítmény	240 W
Üresjárat fordulatszám	6000–11000/perc
Csiszolótalp átmérő	92x187 mm
Súly	1,7 kg
Hangnyomásszint L _{PA}	73+3 dB(A)
Hangteljesítményszint L _{WA}	84+3 dB(A)
Rezgés	1,77+1,5 m/s ²



Viseljen hallásvédő eszközt.

Rezgés érték

A használati útmutatóban megadott rezgés kibocsátási értékek mérése az EN 62841 sz. szabvány szerinti egységesített eljárással történt; az értékek használhatók gépek összehasonlítására és a munkavégzés közbeni rezgés terhelés előzetes megbecslésére az adott alkalmazási területen.

- Ha az elektromos kéziszerszámot más területen használják vagy más vagy rossz karban tartott tartozékkal, a rezgés terhelés jelentősen megnövekedhet.
- Azok az időtartamok, amely alatt a gép üresen jár vagy áll, jelentősen csökkenthetik a tényleges terhelést.

Védje magát a rezgés hatásától, tartsa karban a gépet és a tartozékokat, melegítsen be és szeresse meg okosan a munkáját.

LEÍRÁS

A szövegbeli számok a 2. oldal képeire utalnak.

1. Főkapcsoló

2. Fő markolat
3. Porgyújtó
4. Csiszolótalp
5. Csiszolópapír-kampó
6. Segédmarkolat
7. Fordulatszám állító kerék
8. Csiszolópapír

3. ÖSSZESZERELÉS



Szerelés előtt mindig kapcsolja ki a gépet, és húzza ki a hálózati csatlakozódugót.

A porgyújtó csatlakoztatása (B ábra)

Erősen ajánlott a gépet a porgyújtóval (3) együtt használni, így biztosítva az optimális porgyújtést.

- Csúsztassa a porgyújtón található nyílást a hátsó porszívó kimeneten található horonyra.
- A porgyújtó biztonságos rögzítéséhez addig tolja a porgyújtót, amíg egy kattánó hangot nem hall.

Megjegyzés: A porgyújtót akkor üritse, amikor a doboz félig megtelt, hogy a porgyújtés optimális maradjon.

A csiszolópapír felhelyezése és eltávolítása (C, D ábra)

A csiszológép alkalmas tépőzáras rögzítési rendszerű vagy akár azzal nem rendelkező csiszolópapírhoz is.

Tépőzáras rögzítéssel rendelkező csiszolópapír felhelyezése és eltávolítása

- Tartsa a gépet oldalra vagy fejjel lefelé, ahogy ez a C ábrán látható.
- Rögzítse a kívánt szemcseméretű csiszolópapírt (8) a csiszolótalpra (4). Ellenőrizze, hogy a csiszolópapír (8) perforációja megegyezik a csiszolótalp (4) perforációjával.
- A csiszolópapír (8) eltávolításához egyszerűen húzza le a csiszolópapírt a csiszolótalpról (4).

Tépőzáras rögzítéssel nem rendelkező csiszolópapír felhelyezése és eltávolítása

- Nyissa ki a csiszolópapír-kampókat (5).
- Rögzítse a kívánt szemcseméretű csiszolópapírt (8) a csiszolótalpra (4).
- Hajtsa a csiszolópapírt (8) mindkét végén a csiszolótalp (4) szélei köré.
- Egyenként zárja be a csiszolópapír-kampókat (5). Ügyeljen arra, hogy a csiszolópapír (8) végei befogatott, leszorított állapotban legyenek.

- A csiszolópapír (8) eltávolításához először nyissa ki a csiszolópapír-kampókat (5), majd távolítsa el a csiszolópapírt (8) a csiszolótalpról (4).

Megjegyzés: Durva, egyenetlen felületek csiszolásához használjon durva csiszolópapírt. A durva csiszolópapír után megmaradt karcolások eltávolításához használjon közepes csiszolópapírt. Végső felületkezeléshez használjon finom csiszolópapírt.

4. MŰKÖDÉS

Bekapcsolás, kikapcsolás (A ábra)

- A gép bekapcsolásához nyomja meg az üzemi kapcsolót (1) I helyzetbe.
- A gép kikapcsolásához nyomja meg az üzemi kapcsolót (1) O helyzetbe.

Sebesség beállítása (A ábra)

A fordulatszám beállításához használja a fordulatszám állító kereket. A fordulatszám állító kerék 7 pozícióba állítható. Az ideális sebesség függ a szükséges szemcsemérettől, valamint a megmunkálendő anyagtól.



A fűrés használata közben ne állítsa a sebességet.

Hasznos ötletek a szerszám optimális használatához

- Mindkét kezével erősen tartsa a gépet.
- Kapcsolja be a gépet.
- Helyezze a csiszolópapírral felszerelt csiszolótalpat a munkadarabra.
- Lassan mozgassa a gépet a munkadarabon, a csiszolótalpat erősen a munkadarabhoz szorítva.
- Ne nyomja túl erősen a gépet. Hagyja, hogy a gép dolgozzon.

5. KARBANTARTÁS



Karbantartási munkák elvégzése előtt mindig válassza le a gépet a hálózati tápellátásról.

A gép burkolatát rendszeresen, lehetőleg minden használat után törölje át puha ronggyal. Ügyeljen arra, hogy a szellőzőnyílások portól és piszoktól mentesek legyenek. Makacs szennyeződésekhez használjon szappanos vízzel átitatott ruhát. Oldószert, benzint, alkoholt, ammóniát stb. ne használjon. Ezek a vegyszerek kárt tesznek a szintetikus részekben.

KÖRNYEZETVÉDELEM



A hibás vagy már feleslegessé vált elektromos, elektronikus készülékeket az ezzel foglalkozó begyűjtő helyeken kell leadni.

Csak EU országokban

Elektromos eszközöket ne dobjon a háztartási hulladékba. Az elektromos és elektronikai hulladékokra vonatkozó, 2012/19/EU európai irányelv és annak a nemzeti törvénykezésbe történő átültetése értelmében az elhasználódott elektromos készülékeket külön kell gyűjteni és környezetbarát módon kell kiselejtezni.

JÓTÁLLÁS

A VONROC termékei a legmagasabb minőségi normák szerint készülnek, és az eredeti vásárlás napjától számított, törvényileg előírt időtartamig garantáljuk, hogy anyag- és gyártási hibáktól mentesen fognak működni. Ha a termékben ezen időszak alatt bármilyen hiba jelentkezik anyag- és/ vagy gyártási hiba miatt, kérjük, forduljon közvetlenül az Ön VONROC kapcsolattartójához.

A szavatosság nem vonatkozik a következő körülmények semelyikére sem:

- Nem hivatalos szervizközpontok javítást vagy módosítást végeztek (vagy megkíséreltek javítást vagy módosítást végezni) a gépen;
- Normál elhasználódás és kopás;
- A szerszámot szabálytalanul vagy nem rendeltetésszerűen használták, vagy a karbantartása nem volt megfelelő;
- Nem eredeti pótalkatrészeket használtak.

A garancia a vállalat által (akár kifejezetten, akár hallgatólagosan) biztosított kizárólagos garancia. Nem biztosítunk egyéb garanciákat (sem kifejezett, sem hallgatólagos garanciákat, beleértve az értékesíthetőségre és az adott célra való alkalmasságra vonatkozó hallgatólagos garanciákat is), amelyek a jelen garancia hatókörén túlmutatnak. A VONROC semmilyen esetben sem felelős semmilyen járulékos vagy következményes kárért. A forgalmazók javításai kizárólag az előírásoknak nem megfelelő egységek vagy alkatrészek javítására és cseréjére vonatkoznak.

A termék és a használati útmutató változtatásának jogát fenntartjuk. A műszaki adatok előzetes bejelentés nélkül változhatnak.

1. BEZPEČNOSTNÍ POKYNY

Přečtěte si přiložené bezpečnostní výstrahy, dodatečné bezpečnostní výstrahy a bezpečnostní pokyny. Nebudete-li dodržovat tyto bezpečnostní výstrahy a pokyny, může dojít k úrazu elektrickým proudem, k vzniku požáru nebo k vážnému zranění. Ušchovejte tyto bezpečnostní výstrahy a pokyny pro budoucí použití.

V tomto návodu k obsluze a na tomto výrobku jsou použity následující symboly:



Přečtěte si návod k obsluze.



Upozorňuje na riziko zranění osob, ztráty života nebo poškození zařízení, nebudou-li dodržovány pokyny uvedené v tomto návodu.



Nebezpečí úrazu elektrickým proudem.



*Používejte ochranné brýle.
Používejte ochranu sluchu.*



Používejte masku proti prachu.



*Stroj třídy II – Dvojitá izolace –
Nemusí být použit uzemňovací vodič.*



Tento výrobek je vyroben v souladu s platnými bezpečnostními normami, které jsou uvedeny ve směrnících EU.

ZÁKLADNÍ BEZPEČNOSTNÍ VÝSTRAHY PRO ELEKTRICKÉ NÁŘADÍ



VAROVÁNÍ! Přečtěte si všechny bezpečnostní výstrahy a všechny pokyny. Nebudete-li dodržovat tyto bezpečnostní výstrahy a pokyny, může dojít k úrazu elektrickým proudem, ke vzniku požáru nebo k vážnému zranění.

Ušchovejte všechny bezpečnostní výstrahy a pokyny pro budoucí použití.

Pojem „elektrické nářadí“ v těchto varováních odkazuje na elektrické nářadí napájené z elektrické sítě (s napájecím kabelem) nebo z akumulátoru (bez napájecího kabelu).

- 1) **Bezpečnost pracovního prostoru**
 - a) **Udržujte pracoviště uklizené a dobře osvětlené.** Neuklizená nebo tmavá místa přivolávají nehody.
 - b) **Nepoužívejte elektrické nářadí ve výbušných prostředích, jako jsou místa s přítomností hořlavých kapalin, plynů nebo prachu.** V elektrickém nářadí dochází k jiskření, které může způsobit vznícení prachu nebo výparů.
 - c) **Při práci s tímto elektrickým nářadím udržujte děti a okolo stojící osoby v bezpečné vzdálenosti.** Rozptylování může způsobit ztrátu kontroly nad nářadím.
- 2) **Elektrická bezpečnost**
 - a) **Zástrčka napájecího kabelu nářadí musí odpovídat zásuvce. Zástrčku nikdy žádným způsobem neupravujte. Nepoužívejte u uzemněného elektrického nářadí žádné adaptéry zástrček.** Neupravené zástrčky a odpovídající zásuvky sníží riziko úrazu elektrickým proudem.
 - b) **Vyvarujte se kontaktu s uzemněnými povrchy, jako jsou potrubí, radiátory, trouby a ledničky.** Dojde-li k uzemnění vašeho těla, hrozí zvýšené riziko způsobení úrazu elektrickým proudem.
 - c) **Nevystavujte elektrické nářadí dešti ani vlhkému prostředí.** Dostane-li se do elektrického nářadí voda, zvýší se riziko úrazu elektrickým proudem.
 - d) **Nezacházejte špatně s napájecím kabelem. Nikdy nepoužívejte napájecí kabel pro přenášení nebo tahání tohoto elektrického nářadí a netahejte za tento kabel při vypořádání zástrčky ze zásuvky. Dbejte na to, aby tento kabel nepřecházel přes horké a mastné povrchy ani přes ostré hrany a aby se nedostal do kontaktu s pohyblivými se částmi.** Poškozené nebo zamotané kabely zvyšují riziko úrazu elektrickým proudem.
 - e) **Používáte-li elektrické nářadí venku, používejte prodlužovací kabel vhodný pro venkovní použití.** Použití prodlužovacího kabelu pro venkovní použití snižuje riziko úrazu elektrickým proudem.
 - f) **Musíte-li používat toto elektrické nářadí ve vlhkém prostředí, používejte v elektrickém obvodu proudový chránič (RCD).** Použití proudového chrániče (RCD) snižuje riziko úrazu elektrickým proudem.
- 3) **Bezpečnost osob**
 - a) **Při práci s tímto elektrickým nářadím buďte stále pozorní; sledujte, co provádíte a používejte-**

- te zdravý rozum. Nepoužívejte elektrické nářadí, jste-li unaveni nebo jste-li pod vlivem drog, alkoholu nebo léků.** Chvilková nepozornost při práci s elektrickým nářadím může vést k velmi nebezpečným zraněním.
- b) **Používejte osobní ochranné prostředky. Vždy používejte ochranu zraku.** Ochranné prostředky, jako jsou maska proti prachu, neklouzavá pracovní ochranná obuv, pevná přilba nebo chrániče sluchu, které jsou používány v příslušných podmínkách, zmenšují riziko způsobení zranění osob.
- c) **Zabraňte náhodnému spuštění nářadí. Před připojením elektrického nářadí k napájecímu zdroji nebo před vložením akumulátoru do nářadí a také před zvednutím nářadí nebo před jeho přenášením se ujistěte, zda je vypínač na nářadí v poloze vypnuto.** Přenášení elektrického nářadí s prstem na spínači nebo připojení elektrického nářadí ke zdroji elektrické energie, je-li spínač v poloze zapnuto, zvyšuje pravděpodobnost vzniku nehod.
- d) **Před zapnutím elektrického nářadí vždy odstraňte všechny klíče a seřizovací přípravky.** Klíče nebo seřizovací přípravky ponechané na rotující části elektrického nářadí mohou způsobit zranění osob.
- e) **Nepřeceňujte své síly. Vždy udržujte správný postoj a rovnováhu.** Tak si zachováte lepší kontrolu nad nářadím v neočekávaných situacích.
- f) **Vhodně se oblékejte. Nenoste volný oděv nebo šperky. Udržujte vlasy, oblečení a rukavice v bezpečné vzdálenosti od všech pohyblivých částí.** Volný oděv, šperky nebo dlouhé vlasy mohou být zachyceny pohyblivými částmi.
- g) **Jsou-li zařízení vybavena adaptérem pro připojení odsávacího systému, ujistěte se, zda je odsávací zařízení správně připojeno a zda správně plní svoji funkci.** Použití odsávání prachu může snížit rizika spojená s prací v prašném prostředí.
- h) **Nedovoľte, aby jistota získaná častým používáním nářadí vedla ke snížení vaší pozornosti a ignorování zásad bezpečné práce s nářadím.** Chvilková nepozornost může během zlomku sekundy způsobit vážné zranění.
- 4) Použití elektrického nářadí a jeho údržba**
- a) **Nepřetěžujte elektrické nářadí. Používejte pro prováděnou práci správné elektrické nářadí.** Správné elektrické nářadí provede práci lépe a bezpečněji, je-li použito pro práce, pro které je určeno.
- b) **Nepoužívejte elektrické nářadí, nepracuje-li správně jeho spouštěcí spínač.** Elektrické nářadí, které nelze ovládat pomocí spouštěcího spínače, je velmi nebezpečné a musí být opraveno.
- c) **Před prováděním jakéhokoliv seřízení, před výměnou příslušenství nebo před uložením odpojte napájecí kabel nářadí od napájecího zdroje nebo z nářadí vyjměte akumulátor.** Tato preventivní bezpečnostní opatření snižují riziko náhodného spuštění elektrického nářadí.
- d) **Uložte nepoužívané elektrické nářadí mimo dosah dětí a nedovoľte osobám, které nejsou obeznámeny s tímto nářadím nebo s těmito pokyny, aby toto elektrické nářadí používaly.** Elektrické nářadí je v rukách neproškolených osob nebezpečné.
- e) **Provádějte údržbu elektrického nářadí. Zkontrolujte nevyrovnaní nebo vážnutí pohyblivých částí, poškození součástí a jiné stavy, které by mohly mít vliv na správnou funkci nářadí. Je-li elektrické nářadí poškozeno, zajistěte jeho opravu dříve, než jej použijete.** Mnohé nehody bývají způsobeny nedostatečnou údržbou elektrického nářadí.
- f) **Udržujte řezné nástroje ostré a čisté.** U správně udržovaných řezných nástrojů s ostrými řeznými břity je menší pravděpodobnost jejich zablokování a lépe se s nimi pracuje.
- g) **Používejte elektrické nářadí, příslušenství, pracovní nástroje atd. v souladu s těmito pokyny a berte v úvahu pracovní podmínky a práci, která má být provedena.** Použití elektrického nářadí pro operace, pro které není určeno, může vést k nebezpečným situacím.
- h) **Dbejte na to, aby byly rukojeti a úchopné povrchy suché, čisté a zbavené olejů a maziv.** Kluzké rukojeti a úchopné plochy neumožňují bezpečnou manipulaci a ovládání nářadí v neočekávaných situacích.
- 5) Použití a údržba akumulátorového nářadí**
- a) **K nabíjení používejte výhradně nabíječku předepsanou výrobcem.** Nabíječka vhodná pro jeden typ akumulátoru může způsobit požár při vložení jiného, nevhodného typu.
- b) **Používejte elektrické nářadí pouze s předepsanými akumulátory.** Použití jiných typů akumulátoru může způsobit požár nebo zranění.
- c) **Není-li akumulátor používán, uložte jej mimo dosah kovových předmětů, jako jsou kancelářské sponky, mince, klíče, hřebíky, šroubky nebo jiné malé kovové předměty, které mohou**

způsobit zkratování jeho kontaktů. Zkratování kontaktů akumulátoru může způsobit popálení nebo požár.

- d) **Za nevhodných podmínek může z akumulátoru unikat kapalina. Vyvarujte se kontaktu s touto kapalinou. Dojde-li k náhodnému kontaktu s touto kapalinou, zasažené místo omyjte vodou. Dostane-li se kapalina do očí, ihned si je vypláchněte vodou a vyhledejte lékařskou pomoc.** Unikající kapalina z akumulátoru může způsobit podráždění pokožky nebo popáleniny.
- e) **Nepoužívejte poškozený nebo upravený akumulátor či nářadí.** Poškozené nebo upravené akumulátory se mohou chovat nepředvídatelně, což může způsobit požár, výbuch nebo nebezpečí zranění.
- f) **Nevstavujte akumulátor nebo nářadí ohni ani nadměrným teplotám.** Vystavení účinkům ohně nebo teplot nad 130 °C může způsobit výbuch. POZNÁMKA: Teplota „130 °C“ odpovídá teplotě „265 °F“.
- g) **Dodržujte všechny pokyny pro nabíjení a nenabíjejte akumulátor ani nářadí mimo teplotní rozsah předepsaný v těchto pokynech.** Nesprávné nabíjení nebo nabíjení při teplotě mimo předepsaný rozsah může poškodit akumulátor a zvýšit nebezpečí vzniku požáru.

6) Servis

- a) **Svěřte opravu svého elektrického nářadí pouze osobě s příslušnou kvalifikací, která bude používat výhradně originální náhradní díly.** Tím zajistíte bezpečný provoz tohoto elektrického nářadí.
- b) **Nikdy neopravujte poškozené akumulátorové moduly.** Opravy akumulátorů smí provádět výhradně výrobce nebo technik autorizovaného servisu.

DOPLŇKOVÉ BEZPEČNOSTNÍ POKYNY

- Nepoužívejte příliš velké listy brusného papíru, ale dodržujte specifikace výrobce týkající se velikosti brusného papíru. Brusné papíry, které přesahují přes brusnou podložku, mohou způsobit zranění a také zablokování a roztržení brusného papíru nebo mohou způsobit zpětný ráz.
- Broušení nátěrů, které obsahují olovo, se nedoporučuje. Odstraňování nátěrů obsahujících olovo smí provádět pouze specializovaná firma.
- Nepracujte na materiálech, ze kterých se

uvolňují nebezpečné látky (například azbest). Zaveďte preventivní opatření, je-li pravděpodobný vznik nebezpečného, hořlavého nebo výbušného prachu. Používejte ochrannou masku proti prachu. Používejte systém pro odsávání prachu.

- Nepracovávajíte materiály obsahující azbest. Azbest je považován za karcinogenní.
- Nepoužívejte toto nářadí k broušení hořčíku.
- Používejte ochranné brýle. Používejte ochranu sluchu.
- Je-li to nutné, používejte další ochranné prostředky, jako jsou bezpečnostní rukavice, bezpečnostní obuv atd.
- Na místech, kde se může příslušenství dostat do kontaktu se skrytými elektrickými vodiči nebo s napájecím kabelem, držte nářadí za izolované plochy určené pro úchop. Dostane-li se příslušenství do kontaktu se „živým“ vodičem pod napětím, nekryté kovové části tohoto nářadí budou také „živé“. Nebezpečí úrazu elektrickým proudem.
- Při práci na lakovaných površích buďte velmi opatrní.
- Před zahájením práce odstraňte z obrobku všechny hřebíky a jiné kovové prvky.
- Ujistěte se, zda je obrobek řádně podepřen nebo upnut.
- Používejte pouze brusný papír, který je vhodný pro použití s tímto nářadím.
- Používejte pouze brusný papír se správnými rozměry. Ujistěte se, že je brusný papír řádně upevněn.
- Kontrolujte brusný papír před každým použitím. Nepoužívejte brusný papír, který je opotřebovaný z důvodu dlouhodobého používání.
- Nikdy neodkládejte nářadí na pracovní stůl nebo ponk, dokud se nevypne nebo zcela nezastaví.

Elektrická bezpečnost



Vždy zkontrolujte, zda se napájecí napětí sítě shoduje s napájecím napětím na výkonovém štítku.

- Nepoužívejte tento výrobek, je-li poškozen jeho napájecí kabel nebo zástrčka.
- Používejte pouze prodlužovací kabely, které jsou vhodné pro příkon tohoto nářadí a které mají minimální průřez 1,5 mm². Budete-li používat prodlužovací kabel na cívce, vždy odmotejte celý kabel.

2. INFORMACE O ZAŘÍZENÍ

Zamýšlené použití

Toto nářadí je určeno k broušení dřeva, plastů a kovů. Toto nářadí je vhodné pouze pro broušení za sucha. Toto nářadí není vhodné pro opracování předmětů obsahujících azbest. Nesprávné použití může nářadí poškodit.

TECHNICKÉ ÚDAJE

Model č.	OS501AC
Napětí	230–240 V~
Kmitočet	50 Hz
Příkon	240 W
Otáčky naprázdno	6000–11000/min
Průměr brusné podložky	92 x 187 mm
Hmotnost	1,7 kg
Úroveň akustického tlaku L_{PA}	73 + 3 dB(A)
Úroveň akustického výkonu L_{WA}	84 + 3 dB(A)
Vibrace	1,77 +1,5 m/s ²



Používejte ochranu sluchu.

Úroveň vibrací

Deklarovaná úroveň vibrací uvedená v tomto návodu byla měřena v souladu se standardní zkušební metodou předepsanou normou EN 62841. Tato úroveň vibrací může být použita pro srovnání jednotlivých nářadí mezi sebou a také při předběžném posouzení působících vibrací při používání nářadí při uvedených aplikacích.

- Použití tohoto nářadí pro jiné aplikace nebo s odlišným nebo špatně udržovaným příslušenstvím může značně zvýšit působení vibrací.
- Doba, kdy je nářadí vypnuto nebo kdy je v chodu, ale aktuálně nevykonává žádnou práci, může působení vibrací značně zmírnit.

Chraňte se před působením vibrací prováděním řádné údržby tohoto nářadí i jeho příslušenství, udržujte ruce v teple a provádějte práci správným způsobem.

POPIS

Čísla v následujícím textu odkazují na obrázky na straně 2.

1. Vypínač
2. Hlavní rukojeť

3. Zásobník na prach
4. Brusná podložka
5. Příchytka brusného papíru
6. Pomocná rukojeť
7. Regulator otáček
8. Brusný papír

3. SESTAVENÍ



Před sestavením vždy vypněte a vypojte zástrčku napájecího kabelu ze sítě zásuvky.

Připojení zásobníku na prach (obr. B)

Důrazně vám doporučujeme používat toto nářadí společně se zásobníkem na prach (3), který zajišťuje optimální zachytávání prachu.

- Nasuňte drážku v zásobníku na prach na výstupek na zadním výstupu prachu.
- Aby byl zásobník na prach bezpečně usazen, musíte na něj zatlačit, dokud neuslyšíte cvaknutí.

Poznámka: Zásobník na prach byste měli vyprázdnit, jakmile bude zaplněn do poloviny, aby bylo zajištěno optimální zachytávání prachu.

Nasazení a sejmutí brusného papíru (obr. C, D)

Tato bruska je vhodná pro brusný papír upevněný pomocí suchého zipu i pro brusný papír bez suchého zipu.

Nasazení a sejmutí brusného papíru se suchým zipem

- Položte nářadí na bok nebo ho otočte spodní stranou nahoru, jak ukazuje obrázek C
- Položte brusný papír (8) s požadovanou hrubostí na brusnou podložku (4). Ujistěte se, že jsou otvory v brusném papíru (8) vyrovnány s otvory na brusné podložce (4).
- Chcete-li brusný papír (8) sejmut, jednoduše stáhněte brusný papír z brusné podložky (4).

Nasazení a sejmutí brusného papíru bez suchého zipu

- Uvolněte příchytka brusného papíru (5).
- Položte brusný papír (8) s požadovanou hrubostí na brusnou podložku (4).
- Přeložte brusný papír (8) na obou koncích kolem okrajů brusné podložky (4).
- Jednu po druhé zajistěte příchytka brusného papíru (5). Zkontrolujte, že jsou oba konce brusného papíru (8) pevně zajištěny.

- Chcete-li sejmut brsný papír (8), nejprve uvolněte přichytky brsného papíru (5) a poté odloupněte brsný papír (8) z brsné podložky (4).

Poznámka: K broušení drsných, nerovných povrchů používejte hrubý brsný papír. K odstranění zbývajících škrábanců po hrubém brsném papíru používejte brsný papír střední zrnitosti. Pro konečnou povrchovou úpravu používejte jemný brsný papír.

4. POUŽITÍ

Zapnutí a vypnutí (obr. A)

- Chcete-li nářadí zapnout, přepněte vypínač (1) do polohy I.
- Chcete-li nářadí vypnout, přepněte vypínač (1) do polohy O.

Nastavení otáček (obr. A)

K nastavení otáček slouží otočný regulátor otáček. Otočný regulátor může být nastaven do jedné z 7 poloh. Ideální otáčky nářadí závisí na požadované hrubosti brsného papíru a na broušeném materiálu.



Nenastavujte otáčky během použití nářadí.

Rady pro optimální použití

- Držte nářadí pevně oběma rukama.
- Zapněte nářadí.
- Přiložte brsnou podložku s brsným papírem k obrobku.
- Pomalu přejíždějte nářadím po obrobku, pevně při tom přitlačujte brsnou podložku.
- Nevytvíkejte na toto nářadí příliš velký tlak. Nechejte nářadí pracovat jeho vlastním tempem.

5. ÚDRŽBA



Před prováděním jakéhokoli úkonu údržby tento stroj vždy odpojte od napájecího zdroje.

Pravidelně čistěte kryt zařízení měkkým hadříkem, ideálně po každém použití. Ujistěte se, že nejsou větrací otvory zaneseny prachem ani jinými nečistotami. Odolnější nečistoty odstraňte pomocí jemného hadříku navlhčeného v mýdlové pěně. Nepoužívejte žádná rozpouštědla, jako je benzín, líh, čpavek atd. Takové chemické látky mohou způsobit poškození dílů z umělé hmoty.

OCHRANA ŽIVOTNÍHO PROSTŘEDÍ



Poškozená a likvidovaná elektrická nebo elektronická zařízení musí být odevzdána ve sběrných dvorech, které jsou určeny pro tento účel.

Pouze pro země EU

Nevyhazujte elektrická nářadí do běžného domácího odpadu. Podle evropské směrnice 2012/19/EC týkající se likvidace elektrických a elektronických zařízení a její implementace do vnitrostátního práva, musí být nepoužívaná elektrická nářadí shromažďována odděleně a jejich likvidace musí být provedena tak, aby nedošlo k ohrožení životního prostředí.

ZÁRUKA

Výrobky VONROC jsou vyvíjeny v souladu s požadavky norem na nejvyšší kvalitu a je zaručeno, že po dobu platné záruky, která začíná běžet dnem původního nákupu, nebudou na těchto výrobcích žádné vady materiálu, ani vady způsobené špatným dílenským zpracováním. Dojde-li během tohoto období k závadě v důsledku vady materiálu nebo dílenského zpracování, kontaktujte přímo firmu VONROC.

Z této záruky jsou vyloučeny následující případy:

- Opravy nebo úpravy tohoto zařízení byly provedeny nebo byly provedeny pokusy o jejich provedení v neautorizovaných servisních střediscích;
- Běžné opotřebování;
- Toto zařízení bylo nesprávně použito, nevhodně použito nebo nebyla prováděna jeho správná údržba;
- Byly použity neoriginální náhradní díly.

Výše uvedené představuje jedinou záruku poskytovanou společností, ať už úzlovnou nebo předpokládanou. Neexistují žádné další záruky, výslovně ani nebo předpokládané, které přesahují rámec zde uvedeného, včetně předpokládaných záruk prodejnosti a vhodnosti pro určitý účel. Společnost VONROC v žádném případě neodpovídá za jakékoli náhodné ani následné škody. Opravné prostředky prodejců se omezují výhradně na opravu nebo výměnu nevyhovujících jednotek nebo dílů.

Na tomto výrobku a v tomto návodu mohou být prováděny změny. Specifikace mohou být měněny bez dalšího upozornění.

1. GÜVENLİK TALİMATLARI

Ekteki güvenlik uyarılarını, ilave güvenlik uyarılarını ve talimatları okuyun. Güvenlik uyarılarını ve talimatları izlememek elektrik çarpması, yangın ve/veya ciddi yaralanma ile sonuçlanabilir. Güvenlik uyarılarını ve talimatları ilerde bakmak üzere muhafaza edin.

Aşağıdaki semboller kullanıcı kılavuzunda veya ürün üzerinde kullanılmaktadır:



Kullanıcı kılavuzunu okuyun.



Bu kılavuzdaki talimatlara uymama durumunda bedensel yaralanma, can kaybı veya alete hasat riskini belirtir.



Elektrik çarpması riski.



*Koruyucu gözlük takın.
Duyma koruması takın.*



Bir toz maskesi takın.



II. Sınıf makine - İkili yalıtım - İhtiyacınız yok topraklı fiş.



Ürün, Avrupa yönergelerindeki geçerli güvenlik standartlarına uygundur.

GENEL ELEKTRİK ALET GÜVENLİK UYARILARI



UYARI Tüm güvenlik uyarılarını ve tüm talimatları okuyun. Uyarılara uyulmadı ve talimatlar elektrik çarpmasına, yangına ve/veya ciddi yaralanmalara neden olabilir.

Tüm uyarıları ve talimatları gelecekte başvurmak üzere saklayın.

Uyarılardaki "elektrikli alet" terimi, şebeke elektriği ile çalışan (kablolu) elektrikli alet veya pil ile çalışan (kablolu) elektrikli alet anlamına gelir.

1) İş alanı güvenliği

- İş alanını temiz ve aydınlık tutun.** Dağınık veya karanlık bölgeler, kazalara davetiye çıkarır.
- Elektrikli aletleri, yanıcı sıvıların, gazların veya tozun var olduğu patlayıcı atmosferlerde kullanmayın.** Elektrikli aletler, tozu veya dumanları ateşleyebilecek kıvılcımlar oluşturur.

- Bir elektrikli aleti kullanırken, çocukları ve çevredekileri uzak tutun.** Dikkatiniz dağılırsa kontrolü kaybedebilirsiniz.

2) Elektrik güvenliği

- Elektrikli alet fişleri, prize uygun olmalıdır. Fişi, hiçbir şekilde modifiye etmeyin. Topraklı elektrikli aletlerle, herhangi bir fiş adaptörü kullanmayın.** Modifiye edilmiş fişler ve buna uygun prizler, elektrik çarpması riskini azaltır.
- Borular, radyatörler, ocaklar ve buzdolapları gibi topraklı yüzeylerle temastan kaçınin.** Eğer vücudunuz topraklanmışsa, elektrik çarpması riski daha fazla olur.
- Elektrikli aletleri yağmura veya ıslaklığa maruz bırakmayın.** Bir elektrikli alete su girmesi durumunda, elektrik çarpması riski artacaktır.
- Kabloya kötü davranmayın. Kabloya taşıma amacıyla, elektrikli aleti ya da elektrikli aletin fişini çekmek için kullanmayın. Kabloyu ısıdan, yağdan, keskin kenarlardan ya da hareketli parçalardan uzak tutun.** Hasar görmüş ya da dolanmış kablolar, elektrik çarpması riskini artırır.
- Bir elektrikli aleti dış mekanlarda kullanırken, dış mekan kullanımına uygun bir uzatma kablosu kullanın.** Dış mekan kullanımına uygun ir kablo kullanıldığında, elektrik çarpması riski azalır.
- Elektrikli aleti nemli bir konumda çalıştırmak kaçınılmazsa, kaçak akım cihazı (RCD) korumalı bir kaynak kullanın.** RCD kullanımı elektrik çarpması riskini azaltır.

3) Kişisel güvenlik

- Elektrikli aleti kullanırken tetikte kalın, ne yaptığınıza dikkat edin ve sağduyulu davranın. Bir elektrikli aleti yorgun olduğunuzda ya da uyuşturucu, alkol veya ilaç etkisindeyken kullanmayın.** Elektrikli aleti kullanırken bir anlık dikkatsizlik ciddi kişisel yaralanmalara neden olabilir.
- Kişisel koruyucu donanım kullanın. Her zaman göz koruması takın.** Uygun durumlar için kullanılan toz maskesi, kaymaz güvenlik ayakkabıları, baret veya kulak tıkacı gibi koruyucu donanımlar, kişisel yaralanma riskini azaltacaktır.
- Kasıtsız çalışmayı önleyin. Bir elektrik kaynağını ve/veya pil takımını bağlamadan, aleti kaldırmadan ya da taşımadan önce elektrikli aletin anahtarının kapalı durumda olduğundan emin olun.** Elektrikli aletleri parmağınız anahtar üzerindeyken taşımak veya anahtarı açık elektrikli aletleri harekete geçirmek kazalara davetiye çıkarır.

- d) **Elektrikli aleti açık duruma getirmeden önce her türlü ayar anahtarını çıkarın.** Elektrikli aletin dönen bir parçasında kalan bir anahtar, kişisel yaralanmalara neden olabilir.
- e) **Fazla uzanmayın. Ayaklarınızı sağlam basın ve her zaman dengeli olun.** Böylece beklenmeyen durumlarda elektrikli aleti daha iyi kontrol edebilirsiniz.
- f) **Uygun kıyafetler giyin. Bol kıyafetler giymeyin, takılar takmayın. Saçınızı, kıyafetlerinizi ve eldivenlerinizi, hareketli parçalardan uzak tutun.** Bol kıyafetler, takılar veya uzun saç, hareketli parçalara takılabilir.
- g) **Eğer cihazlar toz giderme ve toplama tesislerinin bağlantısı için sağlamışsa, bunların bağlandığından ve düzgün bir şekilde kullanıldığından emin olun.** Toz toplama ile tozla ilgili tehlikeleri azaltılabilir.
- h) **Aletlerin sık kullanılmasıyla edindiğiniz bilgi birikiminin sizi aşırı rehavete sürüklemesine izin vermeyin ve araç güvenliği ilkelerini göz ardı etmeyin.** Dikkatsiz bir hareket, bir saniyeden bile kısa sürede ciddi yaralanmalara neden olabilir.
- 4) Elektrikli alet kullanımı ve bakımı**
- a) **Elektrikli aleti zorlamayın. Uygulamanız için doğru elektrikli aleti kullanın.** Doğru elektrikli alet, tasarım amacına uygun olarak işi daha iyi yapacaktır.
- b) **Eğer anahtarlar açılıp kapatılmıyorsa, elektrikli aleti kullanmayın.** Anahtarla kumanda edilemeyen elektrikli aletler tehlikelidir ve tamir edilmelidir.
- c) **Herhangi bir ayar, aksesuar değişimi ya da depolama işleminden önce elektrikli aletin fişini elektrik kaynağından çıkarın ve/veya pil takımını elektrikli aletten çıkarın.** Bu tür önleyici güvenlik önlemleri, elektrikli aletin kazara çalışması riskini azaltır.
- d) **Boş durumdaki elektrikli aletleri çocukların erişemeyeceği bir yerde muhafaza edin ve elektrikli aletin nasıl çalıştığını ya da bu talimatları bilmeyen kişilerin elektrikli aleti kullanmasına izin vermeyin.** Elektrikli aletler, eğitimsiz kullanıcıların elinde tehlikeli olur.
- e) **Elektrikli aletlerin bakımını yapın. Hatalı ayarlar veya hareketli parçaların bağlanması, parça kırılmaları ve elektrikli aletin çalışmasını etkileyecek diğer durumlar için kontrol gerçekleştirin.** Eğer herhangi bir hasar varsa, elektrikli alet kullanılmadan önce tamir edilmelidir. Çoğu kazaya bakımı iyi yapılmayan elektrikli aletler neden olur.
- f) **Kesme aletlerini keskin ve temiz tutun.** Bakımı iyi yapılan ve keskin kenarlara sahip kesme aletlerinde donmalar daha az yaşanır ve kontrol edilmeleri daha kolay olur.
- g) **Elektrikli aleti, aksesuarlarını ve torna kalemlelerini bu talimatlara uygun olarak kullanın, çalışma koşullarını ve gerçekleştirilecek olan işi dikkate alın.** Elektrikli aletin kullanım amacı dışında kullanılması, tehlikeli durumlarla sonuçlanabilir.
- h) **Tutamakları ve tutma yerlerini kuru, temiz ve yağdan arındırılmış şekilde muhafaza edin.** Yangın tutamaklar ve tutma yerleri, beklenmedik durumlarda aletin güvenli şekilde taşınmasına ve kontrol edilmesine izin vermez.
- 5) Pili alet kullanımı ve bakımı**
- a) **Yalnızca üretici tarafından belirtilen şarj aletiyle şarj edin.** Bir türde pil takımı için uygun bir şarj cihazı, başka bir pil takımı ile kullanıldığında yangın riski oluşturabilir.
- b) **Elektrikli aletleri yalnızca özel olarak belirlenmiş pil takımlarıyla kullanın.** Başka pil takımlarının kullanımı yaralanma ve yangın riski oluşturabilir.
- c) **Pil takımı kullanılmadığı zamanda, ataşlar, bozuk paralar, anahtarlar, çiviler, vidalar veya diğer küçük metal nesnelere gibi bir uçtan diğerine bir bağlantı yapabilecek diğer metal nesnelere uzak tutun.** Pil uçlarını birbirine kısa devre yaptırmak yanıklara veya yangına neden olabilir.
- d) **Bozulma durumlarında pilden sıvı çıkabilir; temastan kaçının. Kazara temas gerçekleşirse, suyla yıkayın. Sıvı gözlerle temas ederse ayrıca tıbbi yardım isteyin.** Pilden çıkan sıvı tahriş veya yanıklara neden olabilir.
- e) **Hasarlı veya üzerinde değişiklik yapılmış bir batarya veya aleti kullanmayın.** Hasarlı veya üzerinde değişiklik yapılmış bataryalar, yangın, patlama ya da yaralanma riskiyle sonuçlanan beklenmedik davranışlar sergileyebilir.
- f) **Batarya veya aleti ateşe veya aşırı sıcaklığa maruz bırakmayın.** Ateşe veya 130 °C üzeri sıcaklıklara maruz kalmama patlamaya yol açabilir. NOT Sıcaklık birimi olarak kullanılan „130 °C“ yerine „265 °F“ kullanılabilir.
- g) **Tüm şarj talimatlarına uyun ve batarya veya aleti talimatlarda belirtilen sıcaklık aralığının dışındaki ortamlarda şarj etmeyin.** Yanlış şekilde veya belirtilen aralığın dışındaki sıcaklıklarda şarj etmek bataryaya zarar verebilir ve yangın riskini artırabilir.

6) Servis

- Elektrikli aletinizin servis işlemlerini, yalnızca aynı yedek parçaları kullanan vasıflı bir tamircinin yapmasını sağlayın.** Bu, elektrikli aletin güvenliğinin korunmasını sağlayacaktır.
- Hasarlı bataryalara asla kendiniz bakım yapmaya çalışmayın.** Bataryadaki bakım işlemleri sadece üretici veya yetkili servisler tarafından yapılmalıdır.

EK GÜVENLİK TALİMATLARI

- Aşırı büyük zımpara kağıtları kullanmayın ve zımpara kağıdının boyutu için üreticinin talimatlarına uyun. Zımparalama yatağından çıkıntı yapan zımpara kağıtları, yaralanmalara neden olabileceği gibi, zımpara kağıtlarını bloke edip parçalayabilir veya bir geri tepmeye sebebiyet verebilir.
- Kurşun boyanın zımparalanması önerilmez. Kurşun boya ancak bir uzman tarafından kaldırılmalıdır.
- Tehlikeli maddeleri (örn. asbest) serbest bırakan malzemeler üzerinde çalışmayın. Tehlikeli, yanıcı veya patlayıcı toz oluşma olasılığına karşı önlem alın. Koruyucu toz maskesi takın. Toz emme sistemi kullanın.
- Asbest içeren malzemelerle çalışmayın. Asbest kanserojen olarak kabul edilir.
- Bu makineyi magnezyum iş parçalarını zımparalamak için kullanmayın.
- Güvenlik gözlüğü giyin. Duyma koruması takın. Gerekirse, eldivenler, güvenlik ayakkabıları vs. gibi diğer koruyucu malzemeleri kullanın.
- Aksesuarın gizli elektrik kablolarıyla veya ana kabloyla temas edebileceği yerlerde makineyi izolasyonlu kavrama yüzeylerinden tutun. Aksesuar 'elektrik yüklü' bir kabloyla temas ederse, makinenin elektrik yüküne maruz kalan metal parçaları da 'elektrik yüklü' hale gelebilir. Elektrik çarpması riski
- Boyanmış yüzeylerde zımparalama sırasında çok dikkatli olun.
- Kullanmadan önce iş parçasındaki tüm çivileri ve diğer metal nesnelere çıkarın.
- İş parçasının uygun şekilde desteklendiğinden veya sabitlendiğinden emin olun.
- Sadece makineyle kullanılmaya uygun zımpara kağıdı kullanın.
- Sadece uygun ebatlara sahip zımpara kağıdı kullanın. Zımpara kağıdının doğru monte edildiğinden emin olun.
- Kullanmadan önce zımpara kağıdını kontrol edin. Uzun süreli kullanım nedeniyle aşırı yıpranmış zımpara kağıdını kullanmayın.

- Makineyi asla kapatmadan bir masa veya tezgaha koymayın.

Elektrik güvenliği



Güç kaynağının voltajının, anma değeri plakası etiketi üzerindeki voltaja karşılık geldiğini her zaman kontrol edin.

- Güç kaynağı kablosu veya şebeke fişi hasar görmüşse makineyi kullanmayın."
- Sadece makinenin güç değerleri açısından uygun, minimum 1,5 mm2 kalınlığa sahip uzatma kabloları kullanın. Bir uzatma kablosu makarası kullanıyorsanız kabloyu daima tam olarak açın."

2. MAKİNE BİLGİSİ

Kullanım amacı

Makine ahşap, plastik ve metali zımparalamak için tasarlanmıştır. Bu makine sadece kuru zımparalama için uygundur. Makine asbest içeren nesnelere üzerinde çalışmak için uygun değildir. Uygunsuz kullanım alete zarar verebilir.

TEKNİK SPESİFİKASYONLAR

Model No.	OS501AC
Şebeke voltajı	230-240 V~
Şebeke frekansı	50 Hz
Güç girişi	240 W
Anma hızı	6000-11000/dak
Zımpara tabanı çapı	92x187 mm
Ağırlık	1.7 kg
L _{pa} (Akustik basınç seviyesi)	73+3 dB(A)
L _{wa} (Akustik güç seviyesi)	84+3 dB(A)
Titreşim	1.77+1.5 m/s ²



Duyma koruması takın.

Vibrasyon seviyesi

Bu talimat kılavuzunda belirtilen vibrasyon emisyon seviyesi EN 62841; içinde verilen bir standart teste uygun olarak ölçülmüştür; bir aleti başka bir aletle karşılaştırmak için ve aleti adı geçen uygulamalar için kullanırken bir ilk maruz kalma değerlendirmesi olarak kullanılabilir.

- aleti farklı uygulamalar için veya farklı ya da kötü bakılan aksesuarlarla kullanmak maruz kalma seviyesini büyük ölçüde artırabilir.

- aletin kapalı olduğu veya çalışıp da gerçekten işi yapmadığı zamanlar maruz kalma seviyesini büyük ölçüde azaltabilir.

Aletin ve aksesuarların bakımını yaparak, ellerinizi sıcak tutarak ve çalışma düzenlerinizi organize ederek vibrasyonun etkilerine karşı kendinizi koruyun.

ACIKLAMA

Metindeki numaralar sayfa 2'deki çizimleri işaret etmektedir.

1. Açma/kapama düğmesi
2. Ana tutamak
3. Toz haznesi
4. Zımpara tabanı
5. Zımpara kağıdı kelepçesi
6. İlave tutamak
7. Hız ayarlama tekeri
8. Zımpara kağıdı

3. MONTAJ



Montajdan önce her zaman makineyi kapatın ve şebeke prizini şebekeden çıkarın.

Toz haznesinin takılması (Şekil B)

Uygun toz toplamayı sağlamak için makinenin toz haznesi (3) ile kullanılması önerilir.

- Toz hazne yuvasını arka toz çıkışındaki çentiğin üzerine kaydırın.
- Toz haznesinin güvenli bir şekilde takıldığından emin olmak için, bir tıklama sesi duyulana kadar toz haznesini itin.

Not: En uygun toz toplamayı sağlamak için hazne yarıya kadar dolu olduğunda toz haznesi boşaltılmalıdır.

Zımpara kağıdının takılması ve çıkartılması (Şek. C, D)

Zımpara makinesi, cırt cırtlı tutturma sistemine sahip olan ve olmayan zımpara kağıdı için uygundur.

Cırt cırtlı tutturma sistemine sahip olan zımpara kağıdının takılması ve çıkarılması

- Makineyi, Şekil C'de gösterildiği gibi yan veya aşağı doğru tutun.
- Gerekli tanecik büyüklüğüne sahip zımpara kağıdını (8) zımpara kağıdı yatağına (4) takın. Zımpara kağıdı (8) üzerindeki deliklerin zımpara

kağıdı yatağındaki (4) deliklerle aynı hizada olduğundan emin olun.

- Zımpara kağıdını (8) çıkarmak için zımpara kağıdını zımpara yatağından (4) çekin.

Cırt cırtlı tutturma sistemine sahip olmayan zımpara kağıdının takılması ve çıkarılması

- Zımpara kağıdı kelepçelerini (5) açın.
- Gerekli tanecik büyüklüğüne sahip zımpara kağıdını (8) zımpara kağıdı tabanına (4) takın.
- Zımpara kağıdını (8) zımpara tabanı (4) kenarlarının etrafında bulunan her iki ucundan katlayın.
- Zımpara kağıdı kelepçelerini (5) sırasıyla kapatın. Zımpara kağıdı (8) uçlarının kelepçeyle sabitlendiğinden emin olun.
- Zımpara kağıdını (8) çıkarmak için önce zımpara kağıdı kelepçelerini (5) açın ve ardından zımpara kağıdını (8) zımpara tabanından (4) çıkarın.

Not: Sert ve düzgün olmayan yüzeyleri zımparalamak için kaba zımpara kağıdı kullanın. Kaba zımpara kağıdından kalan çizikleri gidermek için orta zımpara kağıdı kullanın. İnce işler için ince zımpara kağıdı kullanın.

4. ÇALIŞTIRMA

Açma ve kapatma (Şekil A)

- Makineyi açmak için açma/kapama anahtarını (1) I konumuna getirin.
- Makineyi kapatmak için açma/kapama anahtarını (1) O konumuna getirin.

Hızı ayarlama (Şekil A)

Hız ayarlama tekeri, hızı ayarlamak için kullanılır. Hız ayarlama tekeri 7 farklı konuma ayarlanabilir. İdeal hız, gerekli tanecik büyüklüğüne ve üzerinde çalışılacak malzemeye göre değişir.



Hızı kullanım sırasında ayarlamayın.

İdeal kullanım için ipuçları

- Makineyi iki elle sıkıca tutun.
- Makineyi açın.
- Zımpara kağıdı takılı zımpara yatağını iş parçasının üzerinde konumlandırın.
- Makineyi, zımpara yatağını iş parçasına sıkıca bastırarak iş parçası üzerinde yavaşça hareket ettirin.
- Makine üzerinde çok fazla basınç uygulamayın. İş makinenin yapmasına izin verin.

5. BAKIM



Temizlik ve bakımdan önce her zaman makineyi kapatın ve şebeke prizini şebekeden çıkarın.

Motorun aşırı ısınmasını önlemek için makinenin havalandırma deliklerini temiz tutun. Makine muhafazasını düzenli olarak (tercihen her kullanımdan sonra) yumuşak bir bez ile temizleyin. Havalandırma deliklerinde toz ve kir olmamasına dikkat edin. Kir çıkmazsa, sabunlu suyla nemlendirilmiş yumuşak bir bez kullanın. Asla petrol, alkol, amonyaklı su vs. kullanmayın. Bu çözücüler plastik parçalara zarar verebilir. Aleti her kullanımdan sonra lütfen hemen temizleyin

ÇEVRE



Arızalı ve/veya atılmış elektrikli veya elektronik ekipmanların uygun geri dönüşüm konumlarında toplanması gerekir.

Yalnızca AT ülkeleri için

Elektrikli aletleri evsel atık olarak atmayın. Atık Elektrikli ve Elektronik Donanım için Avrupa İlkeleri 2012/19/EU'ya ve bunun yerel hukuk çerçevesinde uygulamasına göre, artık kullanılamaz olan elektrikli aletler ayrı olarak toplanmalı ve çevre dostu bir yolla imha edilmelidir.

GARANTİ

VONROC ürünleri yüksek kalite standartları doğrultusunda geliştirilmiştir ve ilk satın alımdan itibaren kanunen belirlenen süre boyunca materyal ve işçilik açısından kusursuz olacağı garanti edilmektedir. Bu süre zarfında, kusurlu materyal ve/veya işçilikten dolayı üründe herhangi bir arıza meydana gelmesi durumunda, doğrudan VONROC iletişim kurun.

Takip eden durumlar bu garanti kapsamı dışındadır:

- Yetkisiz servis merkezleri tarafından yapılan veya yapılmaya teşebbüs edilen onarım ve/veya değişiklikler.
- Normal aşınma ve eskime.
- Cihazın kötü ve yanlış kullanılması veya cihaza yanlış bakım yapılması.
- Orijinal olmayan yedek parçaların kullanılması

Bu, şirket tarafından açık ya da zımni verilmiş tek garantiyi oluşturur. Belirli bir amaç için ticarete elverişlilik ve uygunluğun zımni garantileri dahil dış görünüşünün ötesine uzanan açık veya zımni başka hiçbir garanti yoktur. VONROC herhangi bir arıza veya dolaylı zarardan hiçbir halükarda sorumlu olmayacaktır. Bayilerin getireceği çözümler uygunsuz birimlerin veya parçaların onarımı veya değiştirilmesiyle sınırlı olacaktır.

Ürün ve kullanıcı kılavuzu değişikliğe tabidir. Spesifikasyonlar başka bir uyarı olmaksızın değiştirilebilir.

1. ИНСТРУКЦИИ ЗА БЕЗОПАСНОСТ

Прочетете приложените предупреждения за безопасност, допълнителните предупреждения за безопасност и инструкциите. Неспазването на предупрежденията за безопасност и инструкциите може да доведе до токов удар, пожар и/или сериозно нараняване. Запазете предупрежденията за безопасност и инструкциите за бъдещи справки.

Следните символи се използват в ръководството за потребителя или върху продукта:



Прочетете ръководството за потребителя.



Означава риск от нараняване, загуба на живот или повреда на инструмента в случай на неспазване на инструкциите в това ръководство.



Риск от токов удар.



*Носете предпазни очила.
Носете защита за слуха.*



Носете маска за прах.



*Машина от клас II - Двойна изолация -
Нямате нужда от заземен щепсел.*



Продуктът е в съответствие с приложимите стандарти за безопасност в европейските директиви.

ОБЩИ ПРЕДУПРЕЖДЕНИЯ ЗА БЕЗОПАСНОСТ НА ЕЛЕКТРОИНСТРУМЕНТИ



ВНИМАНИЕ! *Прочетете всички предупреждения за безопасност и всички инструкции. Неспазването на предупрежденията и инструкциите може да доведе до токов удар, пожар и/или сериозно нараняване.*

Запазете всички предупреждения и инструкции за бъдещи справки.

Терминът „електроинструмент“ в предупрежденията се отнася за вашия захранван от електрическата мрежа (с кабел) електроинструмент или работещ с батерии (безкабелен) електроинструмент.

- 1) **Безопасност на работната зона**
 - a) **Поддържайте работното място чисто и добре осветено.** Разхвърляните или тъмни зони предразполагат към инциденти.
 - b) **Не работете с електрически инструменти в експлозивни атмосфери, като например в присъствието на запалими течности, газове или прах.** Електрическите инструменти създават искри, които могат да възпламенят праха или изпаренията.
 - c) **Дръжте децата и минувачите далеч, докато работите с електроинструмент.** Разсейването може да ви накара да загубите контрол.

2) Електрическа безопасност

- a) **Щепселите на електроинструмента трябва да съответстват на контакта. Никога не променяйте щепсела по никакъв начин. Не използвайте адаптерни щепсели със заземени електрически инструменти.** Непроменени щепсели и съвпадащи контакти ще намалят риска от токов удар.
 - b) **Избягвайте контакт на тялото със заземени повърхности, като тръби, радиатори, печки и хладилници.** Съществува повишен риск от токов удар, ако тялото ви е заземено.
 - c) **Не излагайте електрическите инструменти на дъжд или мокри условия.** Попадането на вода в електроинструмента ще увеличи риска от токов удар.
 - d) **Не злоупотребявайте с кабела. Никога не използвайте кабела за пренасяне, дърпане или изключване на електрическия инструмент. Дръжте кабела далеч от топлина, масло, остри ръбове или движещи се части.** Повредените или заплетени кабели увеличават риска от токов удар.
 - e) **Когато работите с електроинструмент на открито, използвайте удължителен кабел, подходящ за употреба на открито.** Използването на кабел, подходящ за употреба на открито, намалява риска от токов удар.
 - f) **Ако работата с електроинструмент на влажно място е неизбежна, използвайте захранване с устройство за остатъчен ток (RCD).** Използването на ДТЗ намалява риска от токов удар.
- 3) **Лична безопасност**
 - a) **Бъдете нащрек, внимавайте какво правите и използвайте здрав разум, когато работите с електроинструмент. Не използвайте електри-**

- чески инструмент, докато сте уморени или под въздействието на наркотици, алкохол или лекарства.** Момент на невнимание при работа с електрически инструменти може да доведе до сериозно нараняване.
- b) **Използвайте лични предпазни средства. Винаги носете предпазни очила.** Защитно оборудване като маска за прах, предпазни обувки против хлъзгане, каска или защита за слуха, използвани при подходящи условия, ще намалят нараняванията.
- c) **Предотвратете неволно стартиране. Уверете се, че превключвателят е в изключено положение, преди да свържете към източник на захранване и/или батерия, да вземете или пренесете инструмента.** Носенето на електроинструменти с пръст върху превключвателя или включването на електроинструменти с включен превключвател води до инциденти.
- d) **Отстранете всички регулиращи ключове или гаечни ключове, преди да включите електроинструмента.** Гаечен ключ или ключ, оставен прикрепен към въртяща се част на електроинструмента, може да доведе до нараняване.
- e) **Не прекалявайте. Поддържайте правилна опора и баланс през цялото време.** Това позволява по-добър контрол на електроинструмента в неочаквани ситуации.
- f) **Облечете се правилно. Не носете широки дрехи или бижута. Дръжте косата, дрехите и ръкавиците си далеч от движещи се части.** Свободни дрехи, бижута или дълга коса могат да бъдат захванати от движещи се части.
- g) **Ако са осигурени устройства за свързване на устройства за изсмукване и събиране на прах, уверете се, че те са свързани и използвани правилно.** Използването на събиране на прах може да намали опасностите, свързани с праха.
- h) **Не допускайте самочувствието, придобито от познанията ви, получени от честото използване на инструменти, да стане пречка при спазване на принципите за безопасност на инструментите.** Едно необмислено действие може да причини тежки наранявания за части от секундата.
- 4) **Използване и грижи за електрически инструменти**
- a) **Не насилвайте електроинструмента. Използвайте правилния електроинструмент за вашето приложение.** Правилният електроинструмент ще свърши работата по-добре и по-безопасно при скоростта, за която е проектиран.
- b) **Не използвайте електроинструмента, ако превключвателят не го включва и изключва.** Всеки електроинструмент, който не може да се управлява с превключвателя, е опасен и трябва да бъде ремонтиран.
- c) **Изключете щепсела от източника на захранване и/или батерията от електроинструмента, преди да правите каквито и да било настройки, смяна на аксесоари или съхраняване на електроинструмента.** Такива превантивни мерки за безопасност намаляват риска от случайно стартиране на електроинструмента.
- d) **Съхранявайте неизползваните електроинструменти далеч от обсега на деца и не позволявайте на хора, които не са запознати с електроинструмента или тези инструкции, да работят с електроинструмента.** Електрическите инструменти са опасни в ръцете на необучени потребители.
- e) **Поддържайте електроинструментите. Проверете за разместване или залепване на движещи се части, счупване на части и всяко друго състояние, което може да повлияе на работата на електроинструмента. Ако е повреден, поправете електроинструмента преди употреба.** Много злополуки са причинени от лошо поддържани електрически инструменти.
- f) **Поддържайте режещите инструменти остри и чисти.** Правилно поддържаните режещи инструменти с остри режещи ръбове е по-малко вероятно да се заядат и са по-лесни за контрол.
- g) **Използвайте електроинструмента, аксесоарите и накрайниците за инструменти и т.н. в съответствие с тези инструкции, като вземете предвид условията на работа и работата, която трябва да се извърши.** Използването на електроинструмента за операции, различни от предвидените, може да доведе до опасна ситуация.
- h) **Поддържайте дръжките и захващащите повърхности сухи и чисти от масло и грес.** Хлъзгавите дръжки и захващащи повърхности пречат на безопасното боравене и управление на инструмента при неочаквани ситуации.
- 5) **Използване и грижи за батерията**
- a) **Заредете само със зарядното устройство, посочено от производителя.** Зарядното устройство, което е подходящо за един тип батерия, може да създаде риск от пожар, когато се използва с друг комплект батерии.

- b) **Използвайте електрически инструменти само със специално указани батерии.** Използването на други батерии може да създаде риск от нараняване и пожар.
- c) **Когато батерията не се използва, дръжте я далече от други метални предмети, като кламери, монети, ключове, пирони, винтове или други малки метални предмети, които могат да свържат един терминал към друг.** Късото свързване на клемите на батерията може да причини изгаряния или пожар.
- d) **При злоупотреба, акумулаторът може да изхвърли течност; избягвайте контакт. Ако случайно попадне на кожата, измийте с вода. Ако течността влезе в очите, потърсете медицинска помощ.** Течността, изхвърлена от батерията, може да причини дразнене или изгаряния.
- e) **Не използвайте батерия или инструмент, който е повреден или модифициран.** Повредените или модифицираните батерии могат да проявят непредсказуемо поведение, водещо до пожар, експлозия или риск от нараняване.
- f) **Не излагайте батерията или инструмента на огън или прекомерна температура.** Излагането на огън или температура над 130 °C може да причини експлозия. ЗАБЕЛЕЖКА Температурата „130 °C“ може да бъде заменена с температура „265 °F“.
- g) **Следвайте всички инструкции за зареждане и не зареждайте батерията или инструмента извън температурния диапазон, посочен в инструкциите.** Неправилното зареждане или температури извън указания диапазон може да повреди батерията и да увеличи риска от пожар.

б) Обслужване

- a) **Неправилното зареждане или температурата извън указания диапазон може да повреди батерията и да увеличи риска от пожар.** Това ще гарантира поддръжката на безопасността на електроинструмента.
- b) **Никога не поправяйте повредени батерии.** Обслужването на батериите трябва да се извършва само от производителя или от оторизираните доставчици на услуги.

ДОПЪЛНИТЕЛНИ ИНСТРУКЦИИ ЗА БЕЗОПАСНОСТ

- Не използвайте големи шлифовъчни листове, но следвайте спецификациите на производителя за размера на шлифовъчните листове. Шкурките,

които стърчат върху шлифовъчната подложка, могат да причинят наранявания, както и да блокират и разкъсат шлифовъчните листове или да причинят откат.

- Не се препоръчва шлайфане на оловна боя. Оловната боя трябва да се премахва само от специалист.
- Не работете с материали, които отделят опасни вещества (напр. азбест). Вземете предпазни мерки, ако има вероятност от образуване на опасен, запалим или експлозивен прах. Носете защитна маска за прах. Използвайте системата за прахоулавяне.
- Не работете с материали, съдържащи азбест. Азбестът се счита за канцерогенен.
- Не използвайте машината за шлайфане на магnezиеви детайли.
- Носете предпазни очила. Носете защита за слуха. Ако е необходимо, използвайте други предпазни средства, като предпазни ръкавици, предпазни обувки и др.
- Дръжте машината за изолираните повърхности за захващане, където аксесоарът може да се докосне до скрито окабеляване или захранващия кабел. Ако аксесоарът влезе в контакт с проводник под напрежение, откритите метални части на машината също могат да станат под напрежение. Риск от токов удар.
- Бъдете много внимателни, когато шлайфате боядисани повърхности.
- Преди употреба отстранете всички пирони и други метални предмети от детайла.
- Уверете се, че детайлът е правилно поддържан или фиксиран.
- Използвайте само шкурка, която е подходяща за употреба с машината.
- Използвайте само шкурка с правилните размери. Уверете се, че шкурката е правилно монтирана.
- Проверявайте шкурката преди всяка употреба. Не използвайте шкурка, която е износена поради продължителна употреба.
- Никога не оставяйте машината на маса или работна маса, преди да е била изключена.

Електрическа безопасност



Винаги проверявайте дали напрежението на захранването съответства на напрежението на етикета на табелката с данни.

- Не използвайте машината, ако захранващият кабел или щепселът са повредени.
- Използвайте само удължителни кабели, които са

подходящи за номиналната мощност на машината с минимална дебелина от 1,5 мм². Ако използвате макарата за удължителен кабел, винаги развивайте напълно кабела.

2. ИНФОРМАЦИЯ ЗА МАШИНАТА

Предназначение

Машината е проектирана за шлайфане на дърво, пластмаса и метал. Тази машина е подходяща само за сухо шлайфане. Машината не е подходяща за обработка на предмети, съдържащи азбест. Неправилната употреба може да повреди инструмента.

ТЕХНИЧЕСКИ СПЕЦИФИКАЦИИ

Модел №	OS501AC
Волтаж	230 - 240V ~
Честота	50 Hz
Входяща мощност	240 W
Скорост на свободен ход	6000-11000/мин.
Диаметър на шлифовъчната подложка	92 x187 мм
Тегло	1,7 кг
Ниво на звуково налягане L _{PA}	73+3 dB(A)
Ниво на акустична мощност L _{WA}	84+3 dB(A)
Вибрация	1,77+1,5 м/сек. ²



Носете защита за слуха.

Ниво на вибрация

Нивото на излъчване на вибрации, посочено в това ръководство с инструкции, е измерено в съответствие със стандартизиран тест, даден в EN 62841; може да се използва за сравняване на един инструмент с друг и като предварителна оценка на излагането на вибрации при използване на инструмента за споменатите приложения.

- Използването на инструмента за различни приложения или с различни или лошо поддържани аксесоари може значително да увеличи нивото на излагане.
- Времето, когато инструментът е изключен или когато работи, но всъщност не върши работата, може значително да намали нивото на излагане.

Защитете се от въздействието на вибрациите, като поддържате инструмента и неговите аксесоари, поддържате ръцете си топли и организирате работните си модели.

ОПИСАНИЕ

Цифрите в текста се отнасят до диаграмите на стр. 2.

1. Превключвател за вкл./изкл.
2. Основен захват
3. Кутия за прах
4. Подложка за шлайфане
5. Скоба за шкурка
6. Допълнителен захват
7. Колело за регул. на скоростта
8. Шлифовъчна хартия

3. СГЛОБКА



Преди сглобяване винаги изключвайте машината и изваждайте щепсела от мрежата.

Свързване на кутията за прах (Фиг. В)

Препоръчителна е употребата на машината заедно с кутия за прах (3), която осигурява оптимално събиране на прахта.

- Плъзнете прореза в кутията за прах върху вдлъбнатината на задния отвор за прахта.
- За да е сигурно, че кутията за прах е вкарана надеждно, натиснете кутията за прах, докато не се чуе щракване.

Забележка: С оглед поддържане на оптимално събиране на прахта кутията за прах следва да се изпразни, когато кутията е наполовина пълна.

Монтиране и отстраняване на шлифовъчна хартия (Фиг. C, D)

Шлифовъчната машина е подходяща за шлифовъчна хартия с или без залепваща лента.

Монтиране и отстраняване на шлифовъчна хартия с или без залепваща лента

- Машината се поставя на една страна или обърната наобратно, както е показано на Фиг. С.
- Върху подложката за шлифовъчната хартия се монтира шлифовъчна хартия (8) с желания размер на зърната (4). Трябва да е сигурно, че перфорацията по шлифовъчната хартия (8) съответства на перфорацията на подложката (4).
- Шлифовъчната хартия (8) се отстранява с просто издърпване на хартията от подложката (4).

Монтиране и отстраняване на шлифовъчна хартия без залепваща лента

- Първо се отварят скобите за шлифовъчна хартия (5).
- Върху подложката за шлифовъчната хартия се монтира шлифовъчна хартия (8) с желания размер на зърната (4).
- Шкурката (8) се огъва откъм двата края по ръбовете на подложката (4).
- След това скобите за шлифовъчна хартия се затварят (5) една по една. Трябва да е сигурно, че краищата на шлифовъчната хартия (8) са заскобени.
- За да свалите шкурката (8), първо отворете скобите за шкурка (5) и след това я отстранете (8) от шлифовъчната подложка (4).

Забележка: За грубо шлифование на груби и неравни повърхности се използва груба шлифовъчна хартия. За останалите от грубата шлифовъчна хартия драскотини се използва средно груба шлифовъчна хартия. За довършване на повърхностите се използва фина шлифовъчна хартия.

4. ОПЕРАЦИЯ

Включване и изключване (фиг. А)

- За да включите машината, натиснете превключвателя за включване/изключване (1) в позиция I.
- За да изключите машината, натиснете бутона за включване/изключване (1) в позиция 0.

Настройка на оборотите (Фиг. А)

Колелото за регулиране на оборотите се използва за настройка на оборотите. Колелото за регулиране на оборотите може да се настрои на 7 позиции. Идеалната скорост зависи от необходимия размер на зърното и от материала, който ще се обработва.



Не настройвайте оборотите по време на употреба.

Съвети за оптимална употреба

- Дръжте здраво машината с две ръце.
- Включете машината.
- Поставете шлифовъчната подложка с шкурка върху детайла.
- Бавно преместете машината върху детайла, като притискате здраво шлифовъчната подложка към детайла.
- Не прилагайте прекалено голям натиск върху машината. Оставете машината да свърши работата.

5. ПОДДРЪЖКА



Преди провеждане на профилактика машината задължително се изключва от електрозахранването.

Почиствайте корпусите на машината редовно с мека кърпа, за предпочитане след всяка употреба. Уверете се, че вентилационните отвори са чисти от прах и мръсотия. Отстранете много устойчивите замърсявания с помощта на мека кърпа, навлажнена със сапунена пена. Не използвайте никакви разтворители като бензин, алкохол, амоняк и др. Химикали като тези ще повредят синтетичните компоненти.

ЗАОБИКАЛЯЩА СРЕДА



Дефектните и/или изхвърлени електрически или електронни уреди трябва да се събират в подходящите места за рециклиране.

Само за страните от ЕК

Не изхвърляйте електроинструментите в битовите отпадъци. Съгласно Европейската насока 2012/19/ЕК за отпадъци от електрическо и електронно оборудване и нейното прилагане в национално право, електроинструментите, които вече не могат да се използват, трябва да се събират отделно и да се изхвърлят по екологичен начин.

ГАРАНЦИЯ

Продуктите на VONROC са разработени по най-високите стандарти за качество и са гарантирани без дефекти както в материалите, така и в изработката за законно определения период, считано от датата на първоначалната покупка. Ако продуктът се повреди през този период поради дефектен материал и/или изработка, свържете се директно с VONROC.

Следните обстоятелства са изключени от тази гаранция:

- Извършени са ремонти и/или промени на машината от неоторизирани сервизни центрове;
- Нормално износване;
- Инструментът е бил използван неправилно или неправилно поддържан;
- Използвани са неоригинални резервни части.

Това представлява единствената гаранция, предоставена от компанията, изрична или подразбира се. Няма други изрични или подразбиращи се гаранции, които се простират извън лицето на това, тук, включително подразбиращите се гаранции за продаваемост и пригодност за определена цел. В никакъв случай VONROC не носи отговорност за случайни или последващи щети. Средствата на търговското лице се ограничават до ремонт или подмяна на несъответстващи възли или части.

Продуктът и ръководството за потребителя подлежат на промяна. Спецификациите могат да бъдат променени без допълнително предупреждение.



DECLARATION OF CONFORMITY OS501AC - ORBITAL SHEET SANDER

- (EN) We declare under our sole responsibility that this product is in conformity with directive 2011/65/EU of the European parliament and of the council of 8 June on the restriction of the use of certain hazardous substances in electrical and electronic equipment is in conformity and accordance with the following standards and regulations:
- (DE) Der Hersteller erklärt eigenverantwortlich, dass dieses Produkt der Direktive 2011/65/EU des Europäischen Parlaments und des Rats vom 8. Juni 2011 über die Einschränkung der Anwendung von bestimmten gefährlichen Stoffen in elektrischen und elektronischen Geräten entspricht, den folgenden Standards und Vorschriften entspricht:
- (NL) Wij verklaren onder onze volledige verantwoordelijkheid dat dit product voldoet aan de conform Richtlijn 2011/65/EU van het Europees Parlement en de Raad van 8 juni 2011 betreffende beperking van het gebruik van bepaalde gevaarlijke stoffen in elektrische en elektronische apparatuur en in overeenstemming is met de volgende standaarden en reguleringen:
- (FR) Nous déclarons sous notre seule responsabilité que ce produit est conforme aux standards et directives suivants: est conforme à la Directive 2011/65/EU du Parlement Européen et du Conseil du 8 juin 2011 concernant la limitation d'usage de certaines substances dangereuses dans l'équipement électrique et électronique.
- (ES) Declaramos bajo nuestra exclusiva responsabilidad que este producto cumple con las siguientes normas y estándares de funcionamiento: se encuentra conforme con la Directiva 2011/65/UE del Parlamento Europeo y del Consejo de 8 de junio de 2011 sobre la restricción del uso de determinadas sustancias peligrosas en los equipos eléctricos y electrónicos.
- (IT) Dichiariamo, sotto la nostra responsabilità, che questo prodotto è conforme alle normative e ai regolamenti seguenti: è conforme alla Direttiva 2011/65/UE del Parlamento Europeo e del Consiglio dell'8 giugno 2011 sulla limitazione dell'uso di determinate sostanze pericolose nelle apparecchiature elettriche ed elettroniche.
- (SV) Vi försäkrar under vårt eget ansvar att denna produkt överensstämmer med Europaparlamentets och rådets direktiv 2011/65/EU av den 8 juni om begränsning av användningen av vissa farliga ämnen i elektrisk och elektronisk utrustning och är i överensstämmelse och enlighet med följande standarder och föreskrifter:
- (DA) Vi erklærer under eget ansvar, at dette produkt er i overensstemmelse med Europa-Parlamentets og Rådets direktiv 2011/65/EU af 8. juni om begrænsning af brugen af visse farlige stoffer i elektrisk og elektronisk udstyr og overholder og er i overensstemmelse med følgende standarder og regler:
- (PL) Deklarujemy na własną odpowiedzialność, że ten produkt spełnia wymogi zawarte w następujących normach i przepisach: jest zgodny z Dyrektywą 2011/65/UE Parlamentu Europejskiego i Rady z dnia 8 czerwca 2011 r. w sprawie ograniczenia stosowania niektórych niebezpiecznych substancji w sprzęcie elektrycznym i elektronicznym.
- (RO) Declaram sub responsabilitatea exclusivă că acest produs este în conformitate cu Directiva 2011/65/UE a Parlamentului și a Consiliului European din 8 iunie privind restricționarea utilizării anumitor substanțe periculoase în echipamentele electrice și electronice și în conformitate cu următoarele standarde și reglementări:
- (PT) Declaramos, sob nossa exclusiva responsabilidade, que este produto está em conformidade com a directiva 2011/65/UE do Parlamento Europeu e com a directiva do conselho de 8 de Junho sobre a restrição da utilização de determinadas substâncias perigosas em equipamento eléctrico e electrónico está em conformidade e de acordo com as seguintes normas e regulamentações:
- (HU) Kizárólagos felelősségünk tudatában kijelentjük, hogy a termék megfelel az Európai Parlamentnek és a Tanácsnak az egyes veszélyes anyagok elektromos és elektronikus berendezéseken való alkalmazásának korlátozásáról szóló 2011/65/EU irányelvének (VI.8.), valamint a következő szabványoknak és jogszabályoknak:
- (CS) Prohlašujeme na svou výhradní odpovědnost, že tento výrobek splňuje požadavky směrnice 2011/65/EU Evropské rady a parlamentu ze dne 8. června, která se týká omezení používání určitých nebezpečných látek v elektrických a elektronických zařízeních, a splňuje také všechny požadavky následujících norem a předpisů:
- (TR) Tek sorumlulu biz olmak üzere bu ürünün Avrupa Parlamentosunun 2011/65/EU ve 8 Haziran 2011 tarihli konseyin elektrikli ve elektronik ekipmanlarda belirlenmiş tehlikeli maddelerin kullanımını kısıtlanmasını hakkındaki talimatları ile birlikte aşağıda belirtilen standart ve yönergelere uygun ve uyumlu olduğunu beyan ederiz:
- (BG) Ние декларираме на наша лична отговорност, че този продукт е в съответствие с Директива 2011/65/ЕС на Европейския парламент и на Съвета от 8 юни относно ограничаването на употребата на определени опасни вещества в електрическо и електронно оборудване, е в съответствие със следните стандарти и разпоредби:

EN 62841-1, EN 62841-2-4, EK9-BE-88, EN 55014-1, EN 55014-2, EN 61000-3-2, EN 61000-3-3
2006/42/EC, 2014/30/EU, 2012/19/EU, 2011/65/EU

Zwolle, 01-11-2024

H.G.F Rosberg
CEO

VONROC • Lingenstraat 6 • 8028 PM Zwolle • The Netherlands



VONROC®
BUILD YOUR FUTURE

©2024 VONROC
WWW.VONROC.COM

2411-14