

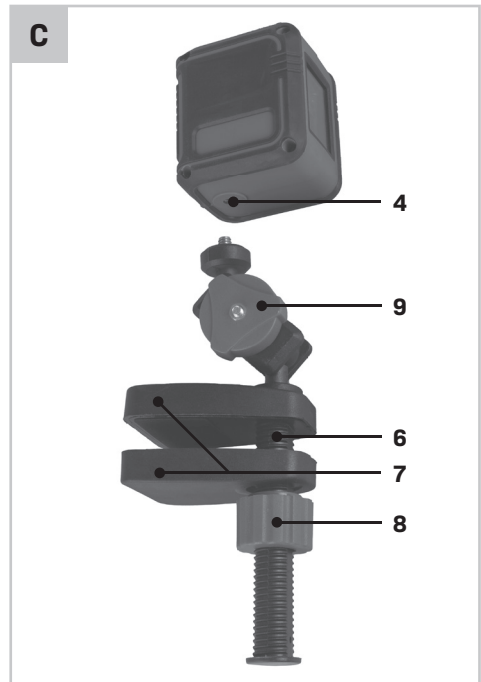
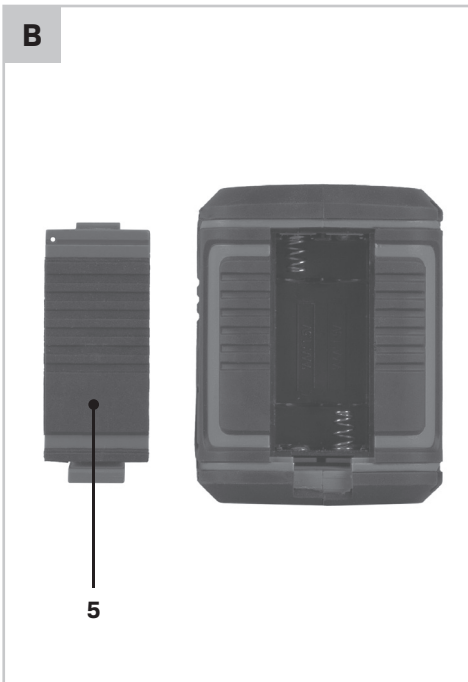
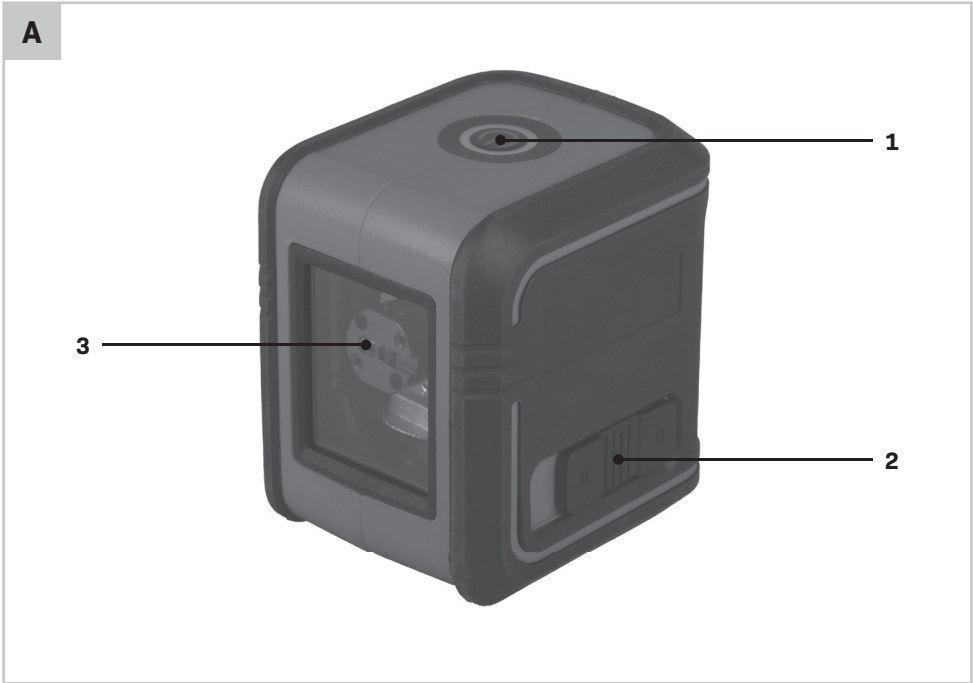


**VONROC®**  
BUILD YOUR FUTURE

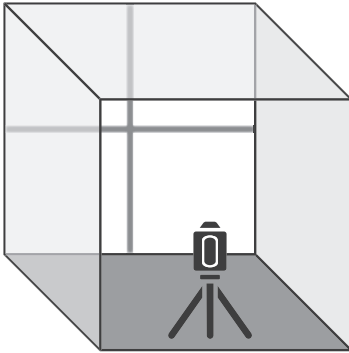
## CROSS LINE LASER LL501DC / LL502DC



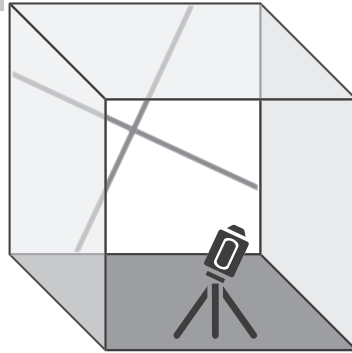
<b>EN</b> Original Instructions	05	<b>TR</b> Orijinal talimatların çevirisi	64
<b>DE</b> Übersetzung Der Originalbetriebsanleitung	09		
<b>NL</b> Vertaling van de oorspronkelijke gebruiksaanwijzing	14		
<b>FR</b> Traduction de la notice originale	18		
<b>ES</b> Traducción del manual original	23		
<b>IT</b> Traduzione delle istruzioni originali	27		
<b>SV</b> Översättning av bruksanvisning i original	32		
<b>DA</b> Oversættelse af den originale brugsanvisning	37		
<b>PL</b> Tłumaczenie instrukcji oryginalnej	41		
<b>RO</b> Traducere a instrucțiunilor originale	46		
<b>PT</b> Tradução do manual original	50		
<b>HU</b> Eredeti használati utasítás fordítása	55		
<b>CS</b> Překlad původního návodu k používání	60		



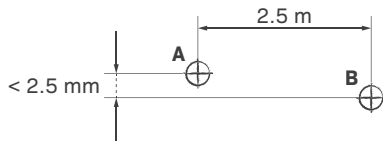
**D1**



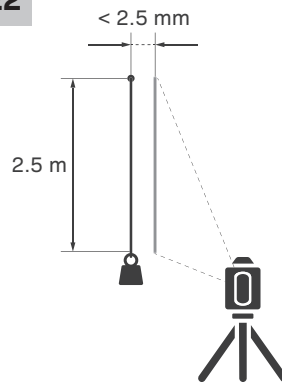
**D2**

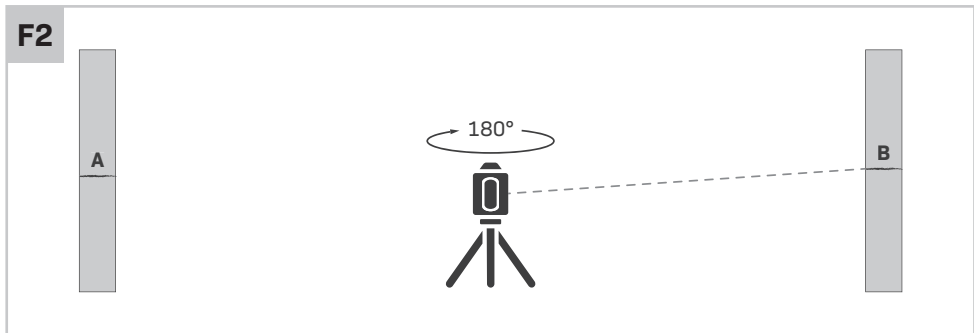
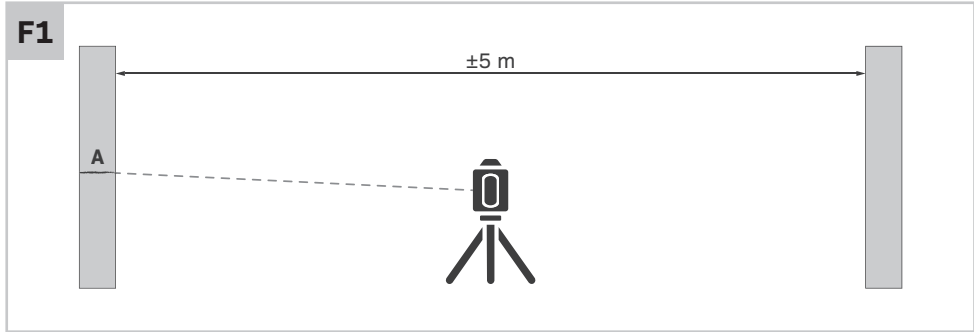


**E1**



**E2**





# 1. SAFETY INSTRUCTIONS

Read the enclosed safety warnings, the additional safety warnings and the instructions. Failure to follow the safety warnings and the instructions may result in electric shock, fire and/or serious injury. Save the safety warnings and the instructions for future reference.

The following symbols are used in the user manual or on the product:



Read the user manual.



Denotes risk of personal injury, loss of life or damage to the tool in case of non-observance of the instructions in this manual.



Do not dispose of the product in unsuitable containers.



The product is in accordance with the applicable safety standards in the European directives.



Risk of eye injury due to laser beams! Never look directly into the laser and do not direct the laser beam towards reflecting surfaces!

## GENERAL SAFETY WARNINGS

- To operate this device safely, the user must have read and understood these instructions for use before using the device for the first time.
- Observe all safety instructions! Failure to do so may cause harm to you and others.
- Retain all instructions for use, and safety instructions for future reference.
- If you sell or pass the device on, you must also hand over these operating instructions.
- The device must only be used when it functions properly. If the product or part of the product is defective, it must be taken out of operation and disposed of correctly.
- Never use the device in a room where there is a danger of explosion or in the vicinity of flammable liquids or gases.
- Keep children away from the device! Keep the device out of the way of children and other unauthorised persons.

## Using battery-operated devices

- Only use batteries approved by the manufacturer.
- Danger of fire! Never charge the batteries.
- Keep batteries away from metal objects that could cause short circuiting when not in use. There is a risk of injuries and fires.
- Fluid can escape from the battery when used incorrectly. Battery fluid may result in skin irritations and burns. Avoid contact! In the event of accidental contact, rinse thoroughly with water. Immediately seek the aid of a physician in the event of eye contact.

## SPECIFIC SAFETY WARNINGS

- The device is intended for using in dry environment.
- Avoid the influence of humidity and dirt as well as direct sun rays.
- Do not operate the device in the proximity of welding machines, induction heaters and other electromagnetic fields.
- Do not expose the device to high temperatures for a longer period of time.
- Symbols appearing on your device may not be removed or covered. Signs on the device that are no longer legible must be replaced immediately.

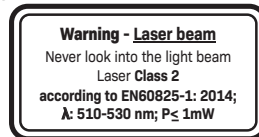
## Handling of laser beams

- Do not look directly into the beam, not even from great distances.
- Never direct the measuring beam towards people, other living creatures or reflecting surfaces.
- Conventional laser glasses do not protect against the dangers of laser beams. They only serve for improved recognition of the laser beam.

### LL501DC red laser:



### LL502DC green laser:



## 2. PRODUCT INFORMATION

### Intended use

The cross line laser is intended for determining and checking horizontal and vertical lines onto the wall and is therefore designed for aligning objects such as tiles or pictures. The cross line laser is suitable for indoor use.

### TECHNICAL SPECIFICATIONS

Model No.	LL501DC	LL502DC
Number of lines	2	
Direction of beams	Vertical/level	
Colour of laser line	Red	Green
Laser Wavelength	620 ~ 690 nm	510 ~ 530 nm
Laser class	II (<mW) acc. to EN60825-1: 2014;	
Working range*	10m	18m
Accuracy	± 0.8 mm/m	
Self-levelling range	± 5°	
Levelling time	4 s	
Protection	IP 20	
Tripod connection	1/4"	
Recommended tripod	LL801AA	
Operating time, max.	14 hours	4 hours
Operating temperature	-10 ~ 40 °C	
Storage temperature	-20 ~ 70 °C	
Battery	2x 1.5V type LR03 AAA (alkaline)	
Weight (Without Batteries)	190 g	
Dimensions	65x55x70 mm	

\* The working range may be reduced by unfavourable environmental conditions (e.g. direct sunlight).

### DESCRIPTION

The numbers in the text refer to the diagrams on page 2-4.

#### Fig. A

1. Operating mode button / on / off
2. Lock switch / on / off
3. Laser beam outlet
4. ¼ inch tripod connection

5. Battery cover
6. Universal clamp
7. Clamping jaws
8. Locking knob (for clamping jaws)
9. Adjusting knob (for ball joints)

## 3. ASSEMBLY

### Inserting / replacing the batteries (Fig. B)

1. Open the battery compartment cover (5).
2. If applicable, remove the old batteries.
3. Insert batteries with correct polarity according to indications.
4. Close the battery compartment cover (5).

### Using the universal clamp (Fig. C)

1. Screw the universal clamp (6) into the tripod connection (4) at the device.
2. Loosen the locking knob (8) and push the clamping jaws (7) apart until they fit onto the carrier.
3. Tighten the locking knob (8) until the jaws of the universal clamp (6) are firmly attached to the carrier and the mount can no longer be moved.
4. Loosen the adjusting knob (9).
5. Swivel the device to the desired position.
6. Retighten the adjustment knob (9).
7. To unfasten the clamping jaws, loosen the universal clamp (6) until the can be removed from the carrier without difficulty.

### Using the tripod (not included)

1. Place the device with the 1/4" tripod connection (4) on the thread of the tripod or a conventional camera tripod.
2. Roughly align the tripod before switching on the device.

## 4. OPERATION



*Only the centre of the laser line must be used for marking. The width of the laser line changes depending on the distance.*



*It's recommended to carry out an accuracy check before first use and periodic checks during future use, especially for precise layouts. Also when the laser may have been dropped.*



*Danger of injury due to defective components! The product must only be put into operation if no defects are found. Ensure that any defective parts are replaced before the product is used again.*



**WARNING! Risk of injury due to laser beam!**  
*Never direct the laser beam towards people, other living creatures or reflecting surfaces.*

#### Check the device:

- Make sure all parts are fitted on the machine firmly.
- Check whether there are any visible defects: broken parts, cracks, etc.
- Check the accuracy when it is the first time you are using the laser or when the laser has not been checked for accuracy in a while.
- Also check the accuracy when the laser may have been dropped.

#### Self-levelling mode (Fig. A, D1)

The lasers are aligned automatically by the pendulum so that the vertical and horizontal lines are displayed level on the wall.

1. Place the laser on a flat surface or fit it to the universal clamp (7) or tripod (not included) and fasten it as described above.
2. Slide the lock switch (2) to the left to switch the device on. The operating mode button (1) is illuminated in green. If the operating mode button (1) is illuminated in red and the laser flashes, the permissible inclination range of 5 degrees is exceeded. Position the device horizontally until the operating mode button lights green.
3. To switch off, slide the lock switch to the right. The laser switches off and the pendulum will be locked.



*Switch the measuring tool off when transporting it. The pendulum unit is locked when the tool is switched off, as it can otherwise be damaged.*

#### Manual mode (Fig. A, D2)

The laser can be aligned manually to the angle you require, to enable for example a diagonal line to be displayed.

1. Place the laser on a flat surface or fit it to the universal clamp (7) or tripod (not included) and fasten it as described above.
2. Check if the lock switch (2) is set to the right. If not, slide the lock switch (2) to the right.
3. Press the operating mode button (1) to switch the laser on and the operating mode button (1) lights up red, because the pendulum is blocked.
4. Now you can tilt the laser to the angle you require, so that the lines are displayed diagonally on the wall as shown in Fig. D2.
5. To switch off, press the operating mode button (1).

## 5. MAINTENANCE

#### Accuracy check



*Only the centre of the laser line must be used for marking. The width of the laser line changes depending on the distance.*

#### Quick horizontal line check (Fig. A, E1)

1. Set the device at approximately 5 meters from the wall.
2. Slide the lock switch (2) to the left to switch the device on. The operating mode button (1) is illuminated in green. If the operating mode button (1) is illuminated in red and the laser flashes, the permissible inclination range of 5 degrees is exceeded. Position the device horizontally.
3. After it self-levels, make a horizontal mark on the wall as shown in figure E1. Label this as point A.
4. Turn the laser 2.5 m to the right.
5. Turn the laser on, and after it self-levels, make a horizontal mark on the wall. Label this as point B as shown in figure E1. When points A and B are more than 2.5mm apart from a vertical perspective, a calibration check is necessary.

#### Quick vertical line check (Fig. A, E2):

1. Set the device at approximately 5 meters from the wall.
2. Hang a 2.5 meter rope on the wall with a weight on the end of the rope as shown in figure E2. The rope must be able to swing freely.
3. Slide the lock switch (2) to the left to switch the device on. Position the vertical line next to the wire. The operating mode button (1) is illuminated in green. If the operating mode button (1) is illuminated in red and the laser flashes, the permissible inclination range of 5 degrees is

exceeded. Position the device horizontally. After it self-levels, the difference must not exceed  $\pm 2.5$  mm. When it's more than 2.5mm apart, a calibration check is necessary.

### Calibration check (Fig. A, F)

The accuracy of the horizontal beam can be checked by following these steps:

1. Set the device on a tripod, centered in a room with walls ideally 5 meter away.
2. Slide the lock switch (2) to the left to switch the device on. The operating mode button (1) is illuminated in green. If the operating mode button (1) is illuminated in red and the laser flashes, the permissible inclination range of 5 degrees is exceeded. Position the device horizontally.
3. After it self-levels, make a horizontal mark on the wall anywhere along the horizontal line to indicate the height of the beam. Label this as point A as shown in Fig. F1.
4. Turn the device 180°, and after it self-levels, mark point B as shown in Fig. F2.
5. Turn the device 180°. Position the device as near as possible to the wall at the height of point A as shown in Fig. F3.
6. Turn the device 180°, and after it self-levels, mark point C. This mark should either be directly above, below or on top of point B as shown in Fig. F4. The difference between points B and C is the tolerance.

When B and C are more than 0.8 mm/ m apart, an adjustment is necessary. Contact your authorized dealer or else the Vonroc Service Department.

### Cleaning



**NOTICE! Risk of product damage!** Never submerge device in water while cleaning.

Do not use cleaning agents or solvents. Wipe the device using a dry cloth.

### Storage



**NOTICE! Risk of product damage!** Always handle measuring instruments with care.

- Store the product in a dry, well-ventilated place.
- Only store and transport the product in its original packaging.

- Prevent large temperature fluctuations: Always temper the product for a while before use in extremely cold or hot environments.

### Taking out of operation for a longer period of time

- When not in use for a longer period of time, remove the batteries.



**NOTICE! Risk of product damage!** Old, leaky batteries can damage the product. Check the battery regularly.

## ENVIRONMENT



Faulty and/or discarded electrical or electronic apparatus have to be collected at the appropriate recycling locations.

### Only for EC countries

Do not dispose of power tools into domestic waste. According to the European Guideline 2012/19/EC for Waste Electrical and Electronic Equipment and its implementation into national right, power tools that are no longer usable must be collected separately and disposed of in an environmentally friendly way.

## WARRANTY

VONROC products are developed to the highest quality standards and are guaranteed free of defects in both materials and workmanship for the period lawfully stipulated starting from the date of original purchase. Should the product develop any failure during this period due to defective material and/or workmanship then contact VONROC directly.

The following circumstances are excluded from this guarantee:

- Repairs and or alterations have been made or attempted to the machine by unauthorized service centers;
- Normal wear and tear;
- The tool has been abused, misused or improperly maintained;
- Non-original spare parts have been used.

This constitutes the sole warranty made by company either expressed or implied. There are no other warranties expressed or implied which extend beyond the face hereof, herein, including the im-



plied warranties of merchantability and fitness for a particular purpose. In no event shall VONROC be liable for any incidental or consequential damages. The dealers remedies shall be limited to repair or replacement of nonconforming units or parts.

**The product and the user manual are subject to change. Specifications can be changed without further notice.**

## 1. SICHERHEITSANWEISUNGEN

Lesen Sie die beiliegenden Sicherheitsanweisungen, die zusätzlichen Sicherheitsanweisungen sowie diese Bedienungsanleitung sorgfältig durch. Bei Nichtbeachten der Sicherheitsanweisungen und der Bedienungsanleitung kann es zu einem Stromschlag, einem Brand und/oder schweren Verletzungen kommen. Bewahren Sie die Sicherheitsanweisungen und die Bedienungsanleitung zur künftigen Bezugnahme sicher auf.

Folgende Symbole werden im Benutzerhandbuch oder auf dem Produkt verwendet:



*Benutzerhandbuch/Bedienungsanleitung lesen.*



*Lebens- und Verletzungsgefahr und Gefahr von Beschädigungen am Werkzeug/Gerät bei Nichteinhaltung der Anweisungen in dieser Bedienungsanleitung.*



*Produkt vorschriftsmäßig entsorgen, nicht über den Hausmüll.*



*Das Produkt entspricht den geltenden Sicherheitsnormen der europäischen Richtlinien.*



*Gefahr von Augenverletzungen durch Laserstrahlen! Schauen Sie niemals direkt in den Laser und richten Sie den Laserstrahl nicht auf reflektierende Flächen!*

### ALLGEMEINE SICHERHEITSHINWEISE

- Um dieses Gerät sicher zu bedienen, muss der Benutzer vor der ersten Verwendung diese Gebrauchsanweisung gelesen und verstanden haben.
- Beachten Sie alle Sicherheitshinweise! Andernfalls können Sie oder andere Personen verletzt werden.
- Bewahren Sie die Gebrauchsanweisung und die Sicherheitsanweisungen für die Zukunft auf.
- Wenn Sie das Gerät verkaufen oder weitergeben, müssen Sie auch diese Anleitung übergeben.
- Das Gerät darf nur verwendet werden, wenn es ordnungsgemäß funktioniert. Wenn das Produkt oder ein Teil davon defekt ist, muss es außer Betrieb genommen und ordnungsgemäß

entsorgt werden.

- Benutzen Sie das Gerät niemals in einem Raum, in dem Explosionsgefahr besteht, oder in der Nähe von brennbaren Flüssigkeiten oder Gasen.
- Kinder von dem Gerät fernhalten! Halten Sie das Gerät von Kindern und anderen Unbefugten fern.

#### Verwendung batteriebetriebener Geräte

- Verwenden Sie nur vom Hersteller zugelassene Batterien.
- Brandgefahr! Laden Sie die Batterien keinesfalls auf.
- Halten Sie Batterien auch bei Nichtgebrauch von Metallgegenständen fern, die einen Kurzschluss verursachen könnten. Es besteht Verletzungs- und Brandgefahr.
- Bei falscher Verwendung kann Batterieflüssigkeit entweichen. Batterieflüssigkeit kann zu Hautreizungen und Verbrennungen führen. Kontakt vermeiden! Bei versehentlichem Kontakt gründlich mit Wasser abspülen. Bei Augenkontakt sofort einen Arzt aufsuchen.

#### SPEZIFISCHE SICHERHEITSHINWEISE

- Das Gerät ist für den Einsatz in trockener Umgebung vorgesehen.
- Vermeiden Sie den Einfluss von Feuchtigkeit und Schmutz sowie direkte Sonneneinstrahlung.
- Betreiben Sie das Gerät nicht in der Nähe von Schweißmaschinen, Induktionsheizungen und anderen elektromagnetischen Feldern.
- Setzen Sie das Gerät nicht längere Zeit hohen Temperaturen aus.
- Etiketten usw. auf Ihrem Gerät dürfen nicht entfernt oder abgedeckt werden. Schilder auf dem Gerät, die nicht mehr lesbar sind, müssen sofort ersetzt werden.

#### Umgang mit Laserstrahlen

- Nicht direkt in den Strahl blicken, auch nicht aus großer Entfernung.
- Niemals den Messstrahl auf Menschen, andere Lebewesen oder reflektierende Flächen richten.
- Konventionelle Laserbrillen schützen nicht vor den Gefahren durch Laserstrahlen. Sie dienen nur zur besseren Erkennung des Laserstrahls.

#### LL501DC laser rot:



##### **Achtung - Laserstrahl**

Niemals in den Lichtstrahl blicken  
Laser **Klasse 2**  
gemäß EN60825-1: 2014;  
A: 620-690 nm; P ≤ 1mW

#### LL502DC laser grün:



##### **Achtung - Laserstrahl**

Niemals in den Lichtstrahl blicken  
Laser **Klasse 2**  
gemäß EN60825-1: 2014;  
A: 510-530 nm; P ≤ 1mW

## 2. PRODUKTINFORMATION

#### Verwendungszweck

Der Kreuzlinienlaser dient zur Bestimmung und Überprüfung von horizontalen und vertikalen Linien an der Wand und eignet sich daher zum Ausrichten von Objekten wie Fliesen oder Bildern. Der Kreuzlinienlaser ist für den Einsatz in Innenräumen vorgesehen.

#### TECHNISCHE DATEN

Modellnummer	LL501DC	LL502DC
Anzahl der Zeilen	2	
Richtung der Strahlen	Vertikal/waagrecht	
Farbe der Laserlinie	Rot	Grün
Laser-Wellenlänge	620 ~ 690 nm	510 ~ 530 nm
Laser Klasse	II (<mW) gemäß EN60825-1: 2014;	
Arbeitsbereich*	10m	18m
Genauigkeit	± 0.8 mm/m	
Selbstnivellierungsbereich	± 5°	
Nivellierungsdauer	4 s	
Schutzklasse	IP 20	
Stativanschluss	1/4"	
Empfohlenes Stativ	LL801AA	
Betriebsdauer, max.	14 Stunden	4 Stunden
Betriebstemperatur	-10 ~ 40 °C	
Aufbewahrungstemperatur	-20 ~ 70 °C	
Batterie	2x 1.5V Typ LR03 AAA (Alkali)	
Gewicht (ohne Batterien)	190 g	
Abmessungen	65x55x70 mm	

\*Der Arbeitsbereich kann sich durch ungünstige Umgebungsbedingungen (z.B. direkte Sonneneinstrahlung) reduzieren.

## BESCHREIBUNG

Die Buchstaben und Ziffern im folgenden Text verweisen auf die Abbildungen auf den Seiten 2 bis 4.

### Abb. A

1. Betriebsart-Taste / ein / aus
2. Sperrschalter / ein / aus
3. Laserstrahlausgang
4. 1/4-Zoll-Stativanschluss
5. Batteriefachabdeckung
6. Universalklemme
7. Klemmbacken
8. Verriegelungsknopf (für Klemmbacken)
9. Einstellknopf (für Kugelgelenke)

## 3. MONTAGE

### Einsetzen/Austauschen der Batterien (Abb. B)

1. Öffnen Sie die Batteriefachabdeckung (5).
2. Alte Batterien ggf. entfernen.
3. Setzen Sie die Batterien gemäß den Angaben mit der richtigen Polarität ein.
4. Schließen Sie die Batteriefachabdeckung (5).

### Verwendung der Universalklemme (Abb. C)

1. Schrauben Sie die Universalklemme (6) in den Stativanschluss (4) am Gerät ein.
2. Lösen Sie den Verriegelungsknopf (8) und schieben Sie die Klemmbacken (7) auseinander, bis sie auf dem Träger sitzen.
3. Ziehen Sie den Verriegelungsknopf (8) an, bis die Backen der Universalklemme (6) fest mit dem Träger verbunden sind und die Baugruppe nicht mehr bewegt werden kann.
4. Lösen Sie den Einstellknopf (9).
5. Schwenken Sie das Gerät in die gewünschte Position.
6. Ziehen Sie den Einstellknopf (9) wieder fest.
7. Zum Lösen der Klemmbacken lockern Sie die Universalklemme (6), bis sie problemlos vom Träger abgenommen werden kann.

### Verwendung des Stativs (nicht im Lieferumfang enthalten)

1. Setzen Sie das Gerät mit dem 1/4"-Stativanschluss (4) auf das Gewinde des Stativs oder eines herkömmlichen Kamerastativs.

2. Richten Sie das Stativ vor dem Einschalten des Geräts grob aus.

## 4. BETRIEB



*Zur Markierung darf nur die Mitte der Laserlinie verwendet werden. Die Breite der Laserlinie ändert sich in Abhängigkeit vom Abstand.*



*Es wird empfohlen, vor der ersten Verwendung eine Genauigkeitsprüfung und bei der zukünftigen Verwendung regelmäßige Überprüfungen durchzuführen, insbesondere wenn Präzision besonders wichtig ist. Das gilt auch, wenn der Laser möglicherweise fallen gelassen wurde.*



**Verletzungsgefahr durch defekte Bauteile!**  
*Das Produkt darf nur in Betrieb genommen werden, wenn keine Mängel festgestellt wurden. Stellen Sie sicher, dass defekte Teile ersetzt wurden, bevor das Produkt erneut verwendet wird.*



**ACHTUNG! Gefahr von Verletzungen durch Laserstrahlen!** *Niemals den Messstrahl auf Menschen, andere Lebewesen oder reflektierende Flächen richten.*

### Überprüfen Sie das Gerät:

- Überprüfen Sie alle Teile auf festen Sitz.
- Überprüfen Sie, ob es sichtbare Mängel gibt: gebrochene Teile, Risse usw.
- Überprüfen Sie die Genauigkeit, wenn Sie den Laser erstmalig verwenden oder wenn der Laser seit einiger Zeit nicht mehr auf Genauigkeit überprüft wurde.
- Überprüfen Sie die Genauigkeit auch, wenn der Laser möglicherweise fallen gelassen wurde.

### Selbstnivellierungsmodus (Abb. A, D1)

Die Laser werden durch das Pendel automatisch so ausgerichtet, dass die vertikalen und horizontalen Linien auf gleicher Höhe an der Wand angezeigt werden.

1. Stellen Sie den Laser auf eine ebene Fläche oder bringen Sie ihn an der Universalklemme (7) oder am Stativ an (nicht im Lieferumfang enthalten) und befestigen Sie ihn wie oben beschrieben.

2. Schieben Sie den Verriegelungsschalter (2) nach links, um das Gerät einzuschalten. Die Betriebsart-Taste (1) leuchtet dann grün. Wenn die Betriebsart-Taste (1) rot leuchtet und der Laser blinkt, wird der zulässige Neigungsbereich von 5 Grad überschritten. Richten Sie das Gerät horizontal aus, bis die Betriebsart-Taste grün leuchtet.
3. Zum Ausschalten schieben Sie den Verriegelungsschalter nach rechts. Der Laser schaltet sich ab und das Pendel wird verriegelt.



*Schalten Sie das Messwerkzeug während des Transports aus. Die Pendeleinheit wird beim Ausschalten des Werkzeugs verriegelt, da sie sonst beschädigt werden könnte.*

### Manueller Modus (Abb. A, D2)

Der Laser kann manuell auf den gewünschten Winkel ausgerichtet werden, um z.B. eine diagonale Linie anzuzeigen.

1. Stellen Sie den Laser auf eine ebene Fläche oder bringen Sie ihn an der Universalklemme (7) oder am Stativ an (nicht im Lieferumfang enthalten) und befestigen Sie ihn wie oben beschrieben.
2. Prüfen Sie, ob der Verriegelungsschalter (2) nach rechts gestellt ist. Falls nicht, schieben Sie den Verriegelungsschalter (2) nach rechts.
3. Drücken Sie die Betriebsart-Taste (1), um den Laser einzuschalten; die Betriebsart-Taste (1) leuchtet daraufhin rot auf, da das Pendel blockiert ist.
4. Jetzt können Sie den Laser in den gewünschten Winkel neigen, so dass die Linien diagonal an der Wand angezeigt werden, siehe Abb. D2.
5. Zum Ausschalten drücken Sie die Betriebsart-Taste (1).

## 5. WARTUNG

### Genauigkeitsprüfung



*Zur Markierung darf nur die Mitte der Laserlinie verwendet werden. Die Breite der Laserlinie ändert sich in Abhängigkeit vom Abstand.*

### Schnellkontrolle der horizontalen Linie (Abb. A, E1)

1. Stellen Sie das Gerät etwa 5 Meter von der Wand entfernt auf.
2. Schieben Sie den Verriegelungsschalter (2) nach links, um das Gerät einzuschalten. Die Betriebsart-Taste (1) leuchtet dann grün. Wenn die

Betriebsart-Taste (1) rot leuchtet und der Laser blinkt, wird der zulässige Neigungsbereich von 5 Grad überschritten. Positionieren Sie das Gerät horizontal.

3. Bringen Sie nach der Selbstnivellierung eine horizontale Markierung an der Wand an, siehe Abbildung E1. Kennzeichnen Sie dies als Punkt A.
4. Drehen Sie den Laser 2,5 m nach rechts.
5. Schalten Sie den Laser ein und bringen Sie nach der Selbstnivellierung eine horizontale Markierung an der Wand an. Kennzeichnen Sie dies wie in Abb. E1 dargestellt als Punkt B. Wenn die Punkte A und B aus einer vertikalen Perspektive mehr als 2,5 mm voneinander entfernt sind, ist eine Kalibrierprüfung erforderlich.

### Schnellkontrolle der vertikalen Linie (Abb. A, E2):

1. Stellen Sie das Gerät etwa 5 Meter von der Wand entfernt auf.
2. Hängen Sie ein 2,5 m langes Seil mit einem Gewicht am Ende an die Wand, siehe Abbildung E2. Das Seil muss frei schwingen können.
3. Schieben Sie den Verriegelungsschalter (2) nach links, um das Gerät einzuschalten. Positionieren Sie die vertikale Linie neben dem Seil. Die Betriebsart-Taste (1) leuchtet dann grün. Wenn die Betriebsart-Taste (1) rot leuchtet und der Laser blinkt, wird der zulässige Neigungsbereich von 5 Grad überschritten. Positionieren Sie das Gerät horizontal. Nach der Selbstnivellierung darf die Differenz nicht mehr als  $\pm 2,5$  mm betragen. Wenn der Abstand mehr als 2,5 mm beträgt, ist eine Kalibrierprüfung erforderlich.

### Kalibrierprüfung (Abb. A, F)

Die Genauigkeit des horizontalen Strahls kann wie folgt überprüft werden:

1. Stellen Sie das Gerät auf einem Stativ in der Mitte eines Raums auf, dessen Wände idealerweise 5 Meter entfernt sind.
2. Schieben Sie den Verriegelungsschalter (2) nach links, um das Gerät einzuschalten. Die Betriebsart-Taste (1) leuchtet dann grün. Wenn die Betriebsart-Taste (1) rot leuchtet und der Laser blinkt, wird der zulässige Neigungsbereich von 5 Grad überschritten. Positionieren Sie das Gerät horizontal.
3. Bringen Sie nach der Selbstnivellierung eine horizontale Markierung irgendwo an der Wand an, um die Höhe des Strahls anzugeben. Kennzeichnen

- Sie dies wie in Abb. F1 dargestellt als Punkt A.
4. Drehen Sie das Gerät um 180° und markieren Sie nach der Selbstnivellierung den Punkt B, siehe Abb. F2.
  5. Drehen Sie das Gerät um 180°. Positionieren Sie das Gerät so nahe wie möglich in Höhe von Punkt A an der Wand, siehe Abb. F3.
  6. Drehen Sie das Gerät um 180° und markieren Sie nach der Selbstnivellierung den Punkt C. Diese Markierung sollte sich entweder direkt über, unter oder auf Punkt B befinden, siehe Abb. F4. Der Unterschied zwischen den Punkten B und C ist die Toleranz.

Wenn B und C mehr als 0,8 mm/m voneinander entfernt sind, ist eine Justierung erforderlich. Wenden Sie sich an Ihren autorisierten Händler oder an die Vonroc-Serviceabteilung.

**Reinigung**



**HINWEIS! Gefahr von Produktschäden!** Bei der Reinigung niemals Wasser in Wasser eintauchen.

Keine Reinigungs- oder Lösungsmittel verwenden. Wischen Sie das Gerät mit einem trockenen Tuch ab.

**Aufbewahrung**



**HINWEIS! Gefahr von Produktschäden!** Messgeräte immer mit Sorgfalt behandeln.

- Bewahren Sie das Produkt an einem trockenen, gut belüfteten Ort auf.
- Lagern und transportieren Sie das Produkt nur in der Originalverpackung.
- Vermeiden Sie große Temperaturschwankungen: Vor Gebrauch in extrem kalten oder heißen Umgebungen muss sich das Gerät immer erst eine Weile an die Umgebung anpassen.

**Längere Außerbetriebnahme**

- Wenn das Gerät längere Zeit nicht benutzt werden soll, entfernen Sie die Batterien.



**HINWEIS! Gefahr von Produktschäden!** Alte, undichte Batterien können das Produkt beschädigen. Überprüfen Sie die Batterie regelmäßig.

**UMWELTSCHUTZ**



Schadhafte und/oder zu entsorgende elektrische oder elektronische Werkzeuge und Geräte müssen an den dafür vorgesehenen Recycling-Stellen abgegeben werden.

**Nur für EG-Länder**

Entsorgen Sie Elektrowerkzeuge nicht über den Hausmüll. Entsprechend der EU-Richtlinie 2012/19/EG über Elektro- und Elektronik-Altgeräte sowie der Umsetzung in nationales Recht müssen Elektrowerkzeuge, die nicht mehr im Gebrauch sind, getrennt gesammelt und umweltschonend entsorgt werden.

**GARANTIE**

VONROC-Produkte werden nach den höchsten Qualitätsstandards entwickelt und sind für den gesetzlich festgelegten Zeitraum, ausgehend von dem ursprünglichen Kaufdatum, garantiert frei von Fehlern in Material und Ausführung. Sollte das Produkt in diesem Zeitraum aufgrund von Material- und/oder Verarbeitungsmängeln Fehler aufweisen, wenden Sie sich bitte direkt an VONROC Kundendienst.

Folgende Umstände sind von der Garantie ausgeschlossen:

- Reparaturen und oder Änderungen an der Maschine, die durch nicht-autorisierte Servicestellen vorgenommen oder versucht wurden.
- Normale Abnutzung und Verschleiß.
- Das Werkzeug wurde übermäßig beansprucht, missbräuchlich verwendet oder falsch gewartet.
- Es wurden keine Original-Ersatzteile verwendet.

Dies stellt die einzige Gewährleistung des Unternehmens dar, sowohl ausdrücklich als auch implizit. Es gibt keine anderen ausdrücklichen oder stillschweigenden Garantien, die über das hier Genannte hinausgehen, einschließlich der stillschweigenden Garantien der Marktgängigkeit oder Eignung für einen bestimmten Zweck. In keinem Fall ist VONROC haftbar für Neben- oder Folgeschäden. Die Rechtsmittel des Händlers beschränken sich auf Reparatur oder Ersatz fehlerhafter Einheiten oder Teile.

**Am Produkt und am Benutzerhandbuch können Änderungen vorgenommen werden. Die technischen Daten können sich ohne Vorankündigung ändern.**

## 1. VEILIGHEIDSVOORSCHRIFTEN

Lees de bijgesloten veiligheidswaarschuwingen, de aanvullende veiligheidswaarschuwingen en de instructies. Het niet opvolgen van de veiligheidswaarschuwingen kan elektrische schokken, brand en/of ernstig letsel tot gevolg hebben. Bewaar de veiligheidswaarschuwingen en instructies als naslagwerk voor later.

De volgende symbolen worden gebruikt in de gebruikershandleiding of op het product:



*Lees de gebruikershandleiding.*



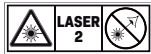
*Gevaar voor lichamelijk letsel, overlijden of schade aan de machine wanneer de instructies in deze handleiding niet worden opgevolgd.*



*Werp het product niet weg in ongeschikte containers.*



*Het product is in overeenstemming met de van toepassing zijnde veiligheidsnormen in de Europese richtlijnen.*



*Risico van oogletsel door laserstralen! Kijk nooit direct in de laser en richt de laserstraal niet op reflecterende oppervlakken!*

### ALGEMENE VEILIGHEIDSVOORSCHRIFTEN

- Om dit apparaat veilig te kunnen gebruiken moet de gebruiker deze instructies hebben gelezen en begrepen, voordat het apparaat voor de eerste keer wordt gebruikt.
- Neem alle veiligheidsinstructies in acht! Wanneer u dat niet doet, kan dat u en anderen schaden.
- Bewaar alle gebruiksinstructies, en veiligheidsinstructies zodat u deze later ook nog kunt raadplegen.
- Als u dit apparaat aan iemand anders geeft of doorverkoopt, moet u ook deze bedieningsinstructies overdragen.
- Dit apparaat mag alleen worden gebruikt wanneer deze goed werkt. Als het product of een deel van het product niet goed functioneert, moet het apparaat niet meer worden gebruikt en op juiste wijze worden weggedaan.
- Gebruik het apparaat nooit in een vertrek waar

explosiegevaar heerst, of in de buurt van brandbare vloeistoffen of gassen.

- Houd kinderen uit de buurt van dit apparaat! Houd het apparaat weg bij kinderen en bij andere onbevoegde personen.

### Het gebruik van apparaten die werken op batterijen

- Gebruik alleen batterijen die worden goedgekeurd door de fabrikant.
- Brandgevaar! Laad de batterijen nooit op.
- Houd batterijen, wanneer u ze niet gebruikt, weg bij metalen voorwerpen die kortsluiting zouden kunnen veroorzaken. Het gevaar bestaat dat iemand gewond raakt of dat er brand ontstaat.
- Er kan vloeistof uit de batterij lekken wanneer u de batterij niet goed gebruikt. Vloeistof uit de batterij kan irritatie van de huid en brandwonden veroorzaken. Vermijd contact! Gaat er iets mis en komt uw huid in contact met de vloeistof, spoel dan grondig met water. Komt de vloeistof in uw ogen, raadpleeg dan onmiddellijk een arts.

### SPECIFIEKE VEILIGHEIDSVOORSCHRIFTEN

- Het apparaat is bedoeld voor gebruik in een droge omgeving.
- Vermijd de inwerking van vocht en vuil en ook van direct zonlicht.
- Gebruik het apparaat niet in de buurt van lasmachines, inductieverwarmingen en andere elektromagnetische velden.
- Stel het apparaat niet gedurende een langere tijd bloot aan hoge temperaturen.
- Symbolen die op het apparaat worden getoond, mogen niet worden verwijderd of afgedekt. Aanduidingen op het apparaat die niet meer leesbaar zijn, moeten onmiddellijk worden vervangen.

### Werken met laserstralen

- Kijk niet direct in de straal, ook niet van grote afstand.
- Richt de meetstraal nooit op mensen, andere levende wezens of reflecterende oppervlakken.
- Conventionele laserbrillen bieden geen bescherming tegen de gevaren van laserstralen. De functie ervan is alleen u de laserstraal beter te laten waarnemen.

**LL501DC laser rood:**



**Waarschuwing - Laserstralen**  
 Kijk nooit in de lichtstraal  
 Laser Klasse 2  
 volgens EN60825-1: 2014;  
 λ: 620-690 nm; P ≤ 1mW

**LL502DC laser groen:**



**Waarschuwing - Laserstralen**  
 Kijk nooit in de lichtstraal  
 Laser Klasse 2  
 volgens EN60825-1: 2014;  
 λ: 510-530 nm; P ≤ 1mW

**2. PRODUCTINFORMATIE**

**Bedoeld gebruik**

De kruislijnlasers zijn bedoeld voor het bepalen en controleren van horizontale en verticale lijnen op muren, daarom is de laser ideaal voor het uitlijnen van voorwerpen zoals tegels of schilderijen. De kruislijnlaser is geschikt voor gebruik binnenshuis.

**TECHNISCHE SPECIFICATIES**

Model Nr.	LL501DC	LL502DC
Aantal laserstralen	2	
Richting van de laserstralen	Loodlijn/waterpas	
Kleur van de laserstraal	Rood	Groen
Laserstraal golfte	620 ~ 690 nm	510 ~ 530 nm
Laserklasse	II (<mW) volgens EN60825-1: 2014;	
Werkbereik*	10m	18m
Nauwkeurigheid	± 0.8 mm/m	
Zelfnivellerend bereik	± 5°	
Zelfnivellerings tijdsduur	4 s	
Beschermingsklasse	IP 20	
Statief schroefdraad	1/4"	
Aanbevolen statief	LL801AA	
Bedrijfstijd, max.	14 uren	4 uren
Bedrijfstemperatuur	-10 ~ 40 °C	
Opslagtemperatuur	-20 ~ 70 °C	
Batterij	2x 1,5V type LR03 AAA (alkaline)	
Gewicht (zonder batterijen)	190 g	
Afmetingen	65x55x70 mm	

\* Het werkbereik kan worden verkleind door een ongunstige werkomgeving (bijv. direct zonlicht).

**BESCHRIJVING**

De nummers in de tekst verwijzen naar de diagrammen op pagina 2-4.

**Afb. A**

1. Bedieningsmodus-knop / aan / uit
2. Vergrendeling / aan / uit
3. Uitgang laserstraal
4. ¼ inch schroefdraad voor statief
5. Batterijklepje
6. Universele klem
7. Klemmen
8. Vergrendelingsknop (voor klemmen)
9. Afstelknop (voor kogelverbinding)

**3. ASSEMBLAGE**

**De batterijen inzetten / vervangen (Afb. B)**

1. Open het batterijklepje (5).
2. Indien van toepassing, verwijder de oude batterijen.
3. Plaats batterijen met de juiste polariteit volgens de aanduiding.
4. Sluit het klepje (5) van het batterijklepje.

**De universele klem gebruiken (Afb. C)**

1. Schroef de universele klem (6) op de statief schroefdraad (4) van het apparaat.
2. Draai de vergrendelingsknop (8) los en duw de klemmen (7) uiteen tot ze op het montageoppervlak passen.
3. Draai de vergrendelingsknop (8) vast tot de klemmen van de universele klem (6) stevig op het montageoppervlak vastzitten en het apparaat niet meer kan bewegen.
4. Draai de afstelknop (9) los.
5. Draai het apparaat in de gewenste stand.
6. Draai de afstelknop (9) weer vast.
7. Om de klemmen te verwijderen maakt u de universele klem (6) los tot de klemmen eenvoudig van het montageoppervlak kunnen worden verwijderd.

**Een statief gebruiken (niet meegeleverd)**

1. Plaats het apparaat met de 1/4" schroefdraad (4) op de schroefdraad van het statief of een conventioneel camerastatief.
2. Lijn het statief ruwweg uit voordat u het apparaat inschakelt.

## 4. BEDIENING



*Alleen het midden van de laserstraal mag worden gebruikt om te markeren. De breedte van de laserstraal verandert afhankelijk van de afstand.*



*Het is aan te raden een nauwkeurigheidscntrole uit te voeren voor het eerste gebruik en daarna periodiek tijdens toekomstig gebruik, in het bijzonder voor nauwkeurige projecten. Voer ook een controle uit als de laser is gevallen.*



**Gevaar voor letsel door defecte componenten!** Het product mag alleen in gebruik worden genomen als er geen defecten worden ontdekt. Zorg ervoor dat eventuele defecte onderdelen worden vervangen voordat het product weer wordt gebruikt.



**WAARSCHUWING! Risico van letsel door laserstraal!** Richt de laserstraal nooit op mensen, andere levende wezens of reflecterende oppervlakken.

### Controleer het apparaat:

- Controleer alle onderdelen zodat u zeker weet dat ze goed vastzitten.
- Controleer het apparaat op zichtbare defecten: gebroken onderdelen, scheuren, enz.
- Controleer de nauwkeurigheid wanneer u de laser voor de eerste keer gebruikt, of wanneer de nauwkeurigheid van de laser al een tijdje niet is gecontroleerd.
- Controleer de nauwkeurigheid ook wanneer de laser is gevallen.

### Zelfnivellerend stand (Afb. A, D1)

De lasers worden automatisch door de pendel uitgelijnd, zodat de verticale en horizontale lijnen op de muur altijd loodrecht en waterpas zijn.

1. Plaats de laser op een vlak oppervlak, op de universele klem (7) of een statief (niet meegeleverd) en bevestig het apparaat zoals hierboven staat beschreven.
2. Schuif de vergrendeling (2) naar links om het apparaat in te schakelen. De bedieningsmodus-knop (1) wordt groen. Wanneer de bedieningsmodus-knop (1) rood is en de laser knippert,

wordt de maximaal toegestane helling van 5 graden overschreden. Plaats het apparaat waterpas tot de bedieningsmodus-knop groen wordt.

3. Schuif de vergrendeling naar rechts om het apparaat uit te schakelen. De laser gaat uit en de pendel wordt vergrendeld.



*Schakel het apparaat altijd uit als u het vervoert of verplaatst. De pendel wordt vergrendeld zodra het apparaat wordt uitgeschakeld, anders kan de pendel beschadigen.*

### Handmatige modus (Afb. A, D2)

De laser kan handmatig worden ingesteld op de hoek die u nodig hebt, hierdoor kunt u bijvoorbeeld een diagonale lijn weergeven.

1. Plaats de laser op een vlak oppervlak, op de universele klem (7) of een statief (niet meegeleverd) en bevestig het apparaat zoals hierboven staat beschreven.
2. Controleer of de vergrendeling (2) naar rechts staat. Schuif de vergrendeling (2) naar rechts als dit niet zo is.
3. Druk op de bedieningsmodus-knop (1) om de laser in te schakelen, de bedieningsmodus-knop (1) wordt rood omdat de pendel is vergrendeld.
4. Nu kunt u de laser in de gewenste stand kanten, zodat de laserstralen diagonaal op de muur staan, zoals afgebeeld in Afb. D2.
5. Druk op de bedieningsmodus-knop (1) om het apparaat uit te schakelen.

## 5. ONDERHOUD

### Nauwkeurigheidscntrole



*Alleen het midden van de laserstraal mag worden gebruikt om te markeren. De breedte van de laserstraal verandert afhankelijk van de afstand.*

### Snel de horizontale laserstraal controleren (Afb. A, E1)

1. Plaats het apparaat ongeveer 5 meter van de muur vandaan.
2. Schuif de vergrendeling (2) naar links om het apparaat in te schakelen. De bedieningsmodus-knop (1) wordt groen. Wanneer de bedieningsmodus-knop (1) rood is en de laser knippert, wordt de maximaal toegestane helling van 5 graden overschreden. Plaats het apparaat waterpas.



- Maak na het zelfnivelleren een horizontale markering op de muur, zoals afgebeeld in afbeelding E1. Markeer dit punt als punt A.
- Draai de laser 2,5 m naar rechts.
- Zet de laser aan en zet na het zelfnivelleren een horizontale markering op de muur. Markeer dit punt als punt B, zoals afgebeeld in afbeelding E1. Als punt A en B verder dan 2,5mm uit elkaar staan, vanuit een verticaal oogpunt gezien, moet u een kalibratiecontrole uitvoeren.
- Draai het apparaat 180° en markeer na het zelfnivelleren punt C. Deze markering moet direct boven, onder of precies op punt B zijn, zoals afgebeeld in Afb. F4. Het verschil tussen punt B en C is de afwijking.

Wanneer punt B en C verder dan 0,8 mm/ m uit elkaar staan, moet het apparaat opnieuw worden afgesteld. Neem contact op met een geautoriseerd verkooppunt of de Vonroc serviceafdeling.

#### Snel de verticale laserstraal controleren (Afb. A, E2):

- Plaats het apparaat ongeveer 5 meter van de muur vandaan.
- Hang een touw van 2,5 meter aan de muur met aan het uiteinde een gewicht, zoals afgebeeld in afbeelding E2. Het touw moet vrij kunnen bewegen.
- Schuif de vergrendeling (2) naar links om het apparaat in te schakelen. Richt de verticale laserstraal naast het touw. De bedieningsmodus-knop (1) wordt groen. Wanneer de bedieningsmodus-knop (1) rood is en de laser knippert, wordt de maximaal toegestane helling van 5 graden overschreden. Plaats het apparaat waterpas. Na het zelfnivelleren mag het verschil niet groter zijn dan  $\pm 2,5$  mm. Wanneer het verschil groter is dan 2,5mm, moet u een kalibratiecontrole uitvoeren.

#### Kalibratiecontrole (Afb. A, F)

De nauwkeurigheid van de horizontale laserstraal kan met de volgende stappen worden gecontroleerd:

- Plaats het apparaat op een statief in het midden van een ruimte, met de muren idealiter 5 meter van de laser verwijderd.
- Schuif de vergrendeling (2) naar links om het apparaat in te schakelen. De bedieningsmodus-knop (1) wordt groen. Wanneer de bedieningsmodus-knop (1) rood is en de laser knippert, wordt de maximaal toegestane helling van 5 graden overschreden. Plaats het apparaat waterpas.
- Maak na het zelfnivelleren een horizontale markering op de muur om de hoogte van de laserstraal aan te geven, dit kan op elk punt van de laserstraal. Markeer dit punt als punt A, zoals afgebeeld in Afb. F1.
- Draai het apparaat 180° en markeer na het zelfnivelleren punt B, zoals afgebeeld in Afb. F2.
- Draai het apparaat 180°. Plaats het apparaat zo dicht mogelijk tegen de muur op de hoogte van punt A, zoals afgebeeld in Afb. F3.

#### Reiniging



**KENNISGEVING! Risico van beschadiging van het product!** Dompel tijdens de reiniging het product nooit onder in water.

Gebruik geen reinigingsmiddelen of oplosmiddelen. Veeg de thermometer schoon met een droge doek.

#### Opslag



**KENNISGEVING! Risico van beschadiging van het product!** Behandel meetinstrumenten altijd met zorg.

- Berg het product op een droge, goed geventileerde plaats op.
- Gebruik voor opslag en transport van het product uitsluitend de originele verpakking.
- Voorkom grote temperatuurschommelingen: Laat het product altijd enige tijd op temperatuur komen wanneer u het gaat gebruiken in omgevingen met extreem lage of hoge temperaturen.

#### Voor langere tijd buiten gebruik stellen

- Neem de batterijen uit het apparaat wanneer u het meetinstrument voor langere tijd niet zult gebruiken.



**KENNISGEVING! Risico van beschadiging van het product!** Oude, lekkende batterijen kunnen het product beschadigen. Controleer de batterij regelmatig.

#### MILIEU



Defecte en/of afgedankte elektrische of elektronische gereedschappen dienen ter verwerking te worden aangeboden aan een daarvoor verantwoordelijke instantie.

### Uitsluitend voor EG-landen

Werp elektrisch gereedschap niet weg bij het huisvuil. Conform de Europese Richtlijn 2012/19/EG voor Afdankte Elektrische en Elektronische Apparatuur en de implementatie ervan in nationaal recht moet niet langer te gebruiken elektrisch gereedschap gescheiden worden verzameld en op een milieuvriendelijke wijze worden verwerkt.

## GARANTIE

VONROC producten zijn ontworpen volgens de hoogste kwaliteitsstandaarden en gegarandeerd vrij van defecten, zowel materieel als fabrieksfouten, tijdens de wettelijk vastgestelde garantieperiode vanaf de eerste aankoopdatum. Mocht het product tijdens deze periode gebreken vertonen veroorzaakt door defecte materialen en/of fabrieksfouten, neem dan rechtstreeks contact op met VONROC.

De volgende situaties vallen niet onder de garantie:

- Er zijn reparaties of aanpassingen aan de machine uitgevoerd, of er is een poging daartoe ondernomen, door een niet geautoriseerd servicecentrum.
- Normale slijtage.
- De machine is misbruikt, verkeerd gebruikt of slecht onderhouden.
- Er zijn niet-originele reserveonderdelen gebruikt.

Dit vormt de enige garantie opgesteld door het bedrijf zowel expliciet als impliciet. Er bestaan geen andere garanties expliciet of impliciet welke verder gaan dan deze garantie, inclusief implicietegaranties van verkoopbaarheid en geschiktheid voor bepaalde doeleinden. In geen enkel geval kan VONROC aansprakelijk worden gesteld voor incidentele schade of gevolgschade. Reparaties van dealers zijn gelimiteerd tot de reparatie of vervanging van defecte producten of onderdelen.

**Het product en de gebruikershandleiding zijn onderhevig aan wijzigingen. Specificaties kunnen zonder opgaaf van redenen worden gewijzigd.**

## 1. CONSIGNES DE SÉCURITÉ

En plus des avertissements de sécurité suivants, veuillez également lire les avertissements de sécurité additionnels ainsi que les instructions. Le non-respect des avertissements de sécurité et des instructions peut entraîner une décharge électrique, un incendie et/ou des blessures graves. Veuillez conserver les avertissements de sécurité et les instructions pour consultation ultérieure.

Les symboles suivants sont utilisés dans le manuel d'utilisation ou apposés sur le produit:



*Lisez le manuel d'utilisation.*



*Signale un risque de blessures, un danger mortel ou un risque d'endommagement de l'outil en cas de non-respect des instructions de ce manuel.*



*Ne jetez pas le produit dans des conteneurs qui ne sont pas prévus à cet effet.*



*Le produit est conforme aux normes de sécurité en vigueur spécifiées dans les directives européennes.*



*Risque de dommages oculaires dû aux faisceaux laser! Ne regardez jamais directement le laser et ne dirigez jamais le faisceau laser vers des surfaces réfléchissantes!*

## CONSIGNES GÉNÉRALES DE SÉCURITÉ

- Afin d'utiliser cet appareil en toute sécurité, l'utilisateur doit lire et assimiler ces instructions d'utilisation avant d'utiliser l'appareil pour la première fois.
- Respectez toutes les consignes de sécurité! Ne pas le faire peut être dangereux pour vous et pour les autres.
- Conservez toutes les instructions d'utilisation ainsi que les consignes de sécurité pour pouvoir vous y référer dans le futur.
- Si vous vendez ou cédez l'appareil, vous devez y joindre ces instructions d'utilisation.
- L'appareil ne doit être utilisé que s'il fonctionne correctement. Si le produit ou l'une de ses pièces sont défectueux, il doit être mis hors d'usage et jeté correctement.

- N'utilisez jamais l'appareil dans une pièce où il existe un risque d'explosion ou à proximité de liquides ou de gaz inflammables.
- Gardez les enfants éloignés de l'appareil! Tenez l'appareil éloigné des enfants et des autres personnes non autorisées à l'utiliser.

#### Utiliser des appareils alimentés par pile

- N'utilisez que des piles approuvées par le fabricant.
- Risque d'incendie! Ne rechargez jamais les piles.
- Lorsqu'elles ne sont pas utilisées, gardez les piles loin d'objets métalliques qui pourraient les mettre en court-circuit. Il existe sinon un risque de blessures et d'incendie.
- Du liquide peut fuir de la pile si elle n'est pas manipulée correctement. Le liquide de la pile peut provoquer des irritations cutanées et des brûlures. Évitez tout contact! En cas de contact accidentel, rincez abondamment à l'eau. Consultez immédiatement un médecin en cas de contact avec les yeux.

#### CONSIGNES DE SÉCURITÉ SPÉCIFIQUES

- L'appareil est prévu pour être utilisé dans un environnement sec.
- Évitez les effets que pourraient provoquer l'humidité, l'encrassement, tout comme les rayons directs du soleil.
- Ne faites pas fonctionner l'appareil à proximité de machines à souder, de radiateurs à induction ou de tout autre champ électromagnétique.
- N'exposez pas l'appareil à de hautes températures trop longtemps.
- Les symboles apposés sur votre appareil ne doivent pas être retirés ou recouverts. Les signaux qui sont devenus illisibles sur l'appareil doivent être remplacés immédiatement.

#### Manipulation des faisceaux laser

- Ne regardez pas directement le faisceau, même à grande distance.
- Ne dirigez jamais le faisceau de prise de mesure vers quiconque ou vers des surfaces réfléchissantes.
- Les lunettes laser ordinaires ne protègent pas contre les risques liés aux faisceaux laser. Elles ne servent qu'à aider à voir le faisceau laser.

#### LL501DC laser rouge:



#### LL502DC laser vert:



## 2. INFORMATIONS SUR LE PRODUIT

#### Utilisation prévue

Le laser à lignes transversales est conçu pour aider à déterminer et à contrôler l'alignement horizontal et vertical sur un mur et il est donc conçu pour aligner des objets comme des carreaux muraux ou des photos. Le laser à lignes transversales doit être utilisé à l'intérieur.

#### SPÉCIFICATIONS TECHNIQUES

N° de modèle	LL501DC	LL502DC
Nombre de lignes	2	
Sens du faisceau	vertical/mise de niveau	
Couleur de la ligne laser	Rouge	Vert
Longueur de l'onde laser	620 ~ 690 nm	510 ~ 530 nm
Classe laser	II (<mW) conforme à la norme EN60825-1: 2014;	
Plage de service*	10m	18m
Précision	± 0.8 mm/m	
Plage de mise à niveau automatique	± 5°	
Durée de la mise à niveau	4 s	
Classe de protection	IP 20	
Raccord pour trépied	1/4"	
Trépied recommandé	LL801AA	
Autonomie maxi	14 heures	4 heures
Température de fonctionnement	-10 ~ 40 °C	
Température de stockage	-20 ~ 70 °C	
Piles	2 piles 1,5V LR03 AAA (alcalines)	
Poids (sans piles)	190 g	
Dimensions	65x55x70 mm	

\* Il se peut que la plage de service soit réduite si les conditions ambiantes sont défavorables (ex : rayons directs du soleil).

## DESCRIPTION

Les numéros dans le texte se rapportent aux schémas des pages 2-4.

### Fig. A

1. Bouton Mode de fonctionnement / Marche / Arrêt
2. Interrupteur de verrouillage / Marche / Arrêt
3. Sortie du faisceau laser
4. Raccord 1/4" pour trépied
5. Cache-piles
6. Attache universelle
7. Mâchoires de serrage
8. Bouton de verrouillage (pour les mâchoires de serrage)
9. Bouton de réglage (pour les têtes sphériques)

## 3. MONTAGE

### Inserer / Remplacer les piles (Fig. B)

1. Ouvrez le cache du compartiment à piles (5).
2. Retirez le cas échéant les piles usagées.
3. Insérez les piles en respectant la polarité telle qu'indiquée.
4. Refermez le cache du compartiment à piles (5).

### Utiliser l'attache universelle (Fig. C)

1. Vissez l'attache universelle (6) dans le raccord pour trépied (4) sur l'appareil.
2. Desserrez le bouton de verrouillage (8) et ouvrez les mâchoires de serrage (7) jusqu'à ce qu'elles entrent sur le support.
3. Resserrez le bouton de verrouillage (8) jusqu'à ce que les mâchoires de l'attache universelle (6) soient fermement fixées sur le support et que le montant ne puisse plus bouger.
4. Desserrez le bouton de réglage (9).
5. Pivotez l'appareil à la position voulue.
6. Resserrez le bouton de réglage (9).
7. Pour détacher les mâchoires, desserrez l'attache universelle (6) jusqu'à pouvoir retirer les mâchoires de serrage du support sans difficulté.

### Utiliser le trépied (non fourni)

1. Placez l'appareil, raccord 1/4" pour trépied (4) sur le filetage du trépied ou d'un support pour appareil photo.
2. Alignez à peu près le trépied avant d'allumer l'appareil.

## 4. FONCTIONNEMENT



*Il n'y a que le centre de la ligne laser qui doit être utilisée pour marquer des repères. La largeur de la ligne laser change en fonction de la distance.*



*Il est recommandé de procéder à un contrôle de la précision avant la première utilisation puis de façon périodique pendant les utilisations suivantes, et tout particulièrement si la disposition souhaitée doit être très précise. C'est aussi le cas si le laser subit une chute.*



**Risque de blessure dû à des composants défectueux!** Le produit ne doit être utilisé que s'il est en parfait état. Assurez-vous que toutes les pièces défectueuses soient remplacées avant de réutiliser le produit.



**AVERTISSEMENT! Risque de blessure dû au faisceau laser!** Ne dirigez jamais le faisceau de prise de mesure vers quiconque ou vers des surfaces réfléchissantes.

### Contrôlez l'appareil:

- Contrôlez toutes les pièces afin de vous assurer qu'elles sont parfaitement en place.
- Contrôlez l'absence de défauts visibles: pièces cassées, fissures, etc.
- Contrôlez la précision de l'appareil à la première utilisation ou si la précision du laser n'a pas été contrôlée depuis longtemps.
- Contrôlez également la précision du laser si celui-ci a subi une chute.

### Mode Mise à niveau automatique (Fig. A, D1)

Les lasers sont automatiquement alignés par le balancier de sorte que les lignes, verticale et horizontale, soient diffusées de niveau sur le mur.

1. Positionnez le laser sur une surface plate ou installez-le avec l'attache universelle (7) ou sur un trépied (non fourni) et fixez-le tel que décrit plus haut.
2. Glissez l'interrupteur de verrouillage (2) vers la gauche pour allumer l'appareil. Le bouton Mode de fonctionnement (1) s'allume vert. Si le bouton Mode de fonctionnement (1) s'allume rouge et que le laser clignote, cela indique que la plage

d'inclinaison autorisée de 5 degrés a été dépassée. Placez l'appareil à l'horizontale jusqu'à ce que le bouton Mode de fonctionne soit vert.

3. Pour éteindre l'appareil, lissez l'interrupteur de verrouillage vers la droite. Le laser s'éteint et le balancier est verrouillé.



*Éteignez l'instrument de mesure pour le transporter. Le balancier est verrouillé lorsque l'outil est éteint car il pourrait sinon être endommagé.*

### Mode manuel (Fig. A, D2)

Il est possible d'aligner manuellement le laser à l'angle voulu, pour pouvoir par exemple diffuser une ligne diagonale.

1. Positionnez le laser sur une surface plate ou installez-le avec l'attache universelle (7) ou sur un trépied (non fourni) et fixez-le tel que décrit plus haut.
2. Contrôlez que l'interrupteur de verrouillage (2) est bien sur la droite. Si ce n'est pas le cas, glissez l'interrupteur de verrouillage (2) vers la droite.
3. Appuyez sur le bouton Mode de fonctionnement (1) pour allumer le laser et le bouton Mode de fonctionnement (1) s'allume rouge car le balancier est bloqué.
4. Vous pouvez alors incliner le laser à l'angle que vous voulez de sorte que les lignes soient diffusées à la diagonale sur le mur, comme illustré par la Fig. D2.
5. Pour éteindre l'appareil, appuyez sur le bouton Mode de fonctionnement (1).

## 5. ENTRETIEN

### Contrôler la précision



*Il n'y a que le centre de la ligne laser qui doit être utilisée pour marquer des repères. La largeur de la ligne laser change en fonction de la distance.*

### Contrôle rapide de la ligne horizontale (Fig. A, E1)

1. Positionnez l'appareil à environ 5 mètres du mur.
2. Glissez l'interrupteur de verrouillage (2) vers la gauche pour allumer l'appareil. Le bouton Mode de fonctionnement (1) s'allume vert. Si le bouton Mode de fonctionnement (1) s'allume rouge et que le laser clignote, cela indique que la plage d'inclinaison autorisée de 5 degrés a été dépassée. Placez l'appareil à l'horizontale.

3. Après la procédure de mise à niveau automatique, tracez un repère horizontal sur le mur, comme illustré par la figure E1. Appelez ce point A.
4. Tournez le laser de 2,5 m vers la droite.
5. Allumez le laser et après sa mise à niveau automatique, tracez un repère horizontal sur le mur. Appelez ce point B comme illustré par la figure E1. Si les points A et B sont à plus de 2,5mm l'un de l'autre à la verticale, un calibrage est nécessaire.

### Contrôle rapide de la ligne verticale (Fig. A, E2) :

1. Positionnez l'appareil à environ 5 mètres du mur.
2. Accrochez un cordeau de 2,5 mètres sur le mur avec un poids en extrémité comme illustré par la figure E2. Le cordeau doit pouvoir se balancer librement.
3. Glissez l'interrupteur de verrouillage (2) vers la gauche pour allumer l'appareil. Positionnez la ligne verticale près du cordeau. Le bouton Mode de fonctionnement (1) s'allume vert. Si le bouton Mode de fonctionnement (1) s'allume rouge et que le laser clignote, cela indique que la plage d'inclinaison autorisée de 5 degrés a été dépassée. Placez l'appareil à l'horizontale. Après la mise à niveau automatique, la différence ne doit pas dépasser  $\pm 2,5$  mm. Si elle est de plus de 2,5mm, un calibrage est nécessaire.

### Contrôle du calibrage (Fig. A, F)

La précision du faisceau horizontal peut être contrôlé en suivant ces étapes :

1. Placez l'appareil sur un trépied, au centre d'une pièce dont les murs sont idéalement à 5 mètres de distance.
2. Glissez l'interrupteur de verrouillage (2) vers la gauche pour allumer l'appareil. Le bouton Mode de fonctionnement (1) s'allume vert. Si le bouton Mode de fonctionnement (1) s'allume rouge et que le laser clignote, cela indique que la plage d'inclinaison autorisée de 5 degrés a été dépassée. Placez l'appareil à l'horizontale.
3. Après la mise à niveau automatique, tracez un repère horizontal sur le mur, n'importe où le long de la ligne horizontale, pour indiquer la hauteur du faisceau. Appelez ce point A comme illustré par la Fig. F1.

4. Tournez l'appareil à 180° et après la mise à niveau automatique, marquez le point B comme illustré par la Fig. F2.
5. Tournez l'appareil à 180°. Positionnez l'appareil aussi près que possible du mur à la hauteur du point A, comme illustré par la Fig. F3.
6. Tournez l'appareil à 180° et après la mise à niveau automatique, marquez le point C. Ce point doit se trouver directement au-dessus, au-dessous ou en haut du point B, comme illustré par la Fig. F4. La différence entre les points B et C représente la tolérance.

Si les points B et C sont distants de plus de 0,8 mm/m, un réglage est alors nécessaire. Prenez contact avec votre revendeur agréé ou le département Assistance de Vonroc.

#### Nettoyage



**REMARQUE! Risque d'endommagement du produit!** Ne plongez jamais l'appareil dans l'eau pour le nettoyer.

N'utilisez pas de produits de nettoyage ou de solvants. Essayez l'appareil à l'aide d'un chiffon sec.

#### Stockage



**REMARQUE! Risque d'endommagement du produit!** Manipulez toujours vos instruments de prise de mesure avec soin.

- Rangez le produit dans un endroit sec et bien aéré.
- Ne rangez et ne transportez le produit que dans son emballage d'origine.
- Évitez les trop grandes fluctuations de températures: Laissez toujours le produit s'acclimater pendant un moment avant de l'utiliser dans des environnements extrêmement froids ou chauds.

#### Mise hors service pour une période prolongée

- Lorsqu'il n'est pas utilisé pendant une longue période, retirez la pile de l'appareil.



**REMARQUE! Risque d'endommagement du produit!** Les piles usagées ou qui fuient peuvent endommager le produit. Contrôlez régulièrement la pile.

## ENVIRONNEMENT



Les équipements électroniques ou électriques défectueux ou destinés à être mis au rebut doivent être déposés aux points de recyclage appropriés.

#### Uniquement pour les pays de l'UE

Ne jetez pas les outils électriques avec les déchets domestiques. Selon la Directive européenne 2012/19/ CE relative aux déchets d'équipements électriques et électroniques et sa mise en œuvre dans le droit national, les outils électriques hors d'usage doivent être collectés séparément et mis au rebut de manière écologique.

## GARANTIE

Les produits VONROC sont développés aux plus hauts standards de qualité et ils sont garantis contre les défauts de pièces et de main d'œuvre pendant la durée légale stipulée à partir de la date d'achat d'origine du produit. En cas d'une quelconque panne du produit pendant cette durée qui serait due à un défaut matériel et/ou de main d'œuvre, contactez directement VONROC.

Les circonstances suivantes ne sont pas prises en charge par la garantie:

- Des réparations ou altérations ont été effectuées ou tentées sur la machine par un centre de réparation non agréé.
- L'usure normale.
- L'outil a été maltraité, mal utilisé ou mal entretenu.
- Des pièces détachées non d'origine ont été utilisées.

Ceci constitue l'unique garantie accordée par la société explicitement ou implicitement. Il n'existe aucune autre garantie, explicite ou implicite, qui peut s'étendre au delà du contenu ici présent, y compris les garanties marchandes ou d'adaptation à des fins particulières. En aucun cas VONROC ne sera tenu responsable de dommages accidentels ou consécutifs. Les solutions proposées par les revendeurs devront se limiter à la réparation ou le remplacement des éléments ou pièces non conformes.

**Le produit et le manuel d'utilisation sont sujets à modifications. Les spécifications peuvent changer sans préavis.**

## 1. INSTRUCCIONES DE SEGURIDAD

Lea las advertencias de seguridad, las advertencias de seguridad adicionales y las instrucciones adjuntas. De no respetarse las advertencias de seguridad y las instrucciones, podrían producirse descargas eléctricas, incendios y/o lesiones graves. Conserve las advertencias de seguridad y las instrucciones para su posterior consulta.

Los siguientes símbolos se utilizan en el manual de usuario o en el producto:



Lea el manual de usuario.



Denota riesgo de lesiones personales, pérdida de vida o daños a la herramienta en caso de incumplimiento de las instrucciones del presente manual.



No deseche el producto en contenedores no adecuados.



El producto es conforme con las normas de seguridad vigentes en las Directivas Europeas.



Riesgo de daño ocular debido a los rayos láser! Nunca mire directamente el láser y no dirija el rayo láser hacia superficies reflectantes!

### INSTRUCCIONES DE SEGURIDAD GENERALES

- Para utilizar este dispositivo de forma segura, el usuario debe haber leído y comprendido estas instrucciones de uso antes de la primera utilización.
- Respete todas las instrucciones de seguridad. En caso de no respetarlas, puede hacerse daño a usted mismo o a los demás.
- Guarde todas las instrucciones de uso y de seguridad para futuras consultas.
- En caso de venta o traspaso del dispositivo, también deberá proporcionar las instrucciones de funcionamiento.
- Este dispositivo solo se debe utilizar en buen estado de funcionamiento. Si el producto falla total o parcialmente, deberá ponerse fuera de funcionamiento y desecharse correctamente.
- No debe utilizar el dispositivo en habitaciones donde existan riesgos de explosión ni cerca de líquidos o gases inflamables.

- Mantenga a los niños alejados del dispositivo. Mantenga el dispositivo fuera del alcance de los niños y de otras personas no autorizadas.

### Uso de dispositivos con funcionamiento a pilas

- Utilice únicamente las pilas aprobadas por el fabricante.
- Existe peligro de incendio. No cargue las pilas.
- Mantenga las pilas alejadas de objetos metálicos que puedan provocar cortocircuitos cuando no estén en funcionamiento. Existe un riesgo de lesiones e incendios.
- Las pilas pueden sufrir una fuga de líquido cuando no se utilizan correctamente. El líquido de las pilas puede provocar irritaciones y quemaduras. Evite el contacto. En caso de contacto accidental, lave la zona con abundante agua. Busque asistencia médica inmediatamente en caso de contacto ocular.

### INSTRUCCIONES DE SEGURIDAD ESPECÍFICAS

- El dispositivo está diseñado para utilizarlo en un entorno seco.
- Evite la influencia de la humedad y de la suciedad, así como de los rayos solares directos.
- No utilice el dispositivo cerca de soldadores, fuentes de calor por inducción y otros campos electromagnéticos.
- No exponga el dispositivo a temperaturas elevadas durante periodos prolongados.
- No debe retirar ni tapar los símbolos que se muestran en su dispositivo. Las señales de advertencia que dejen de estar visibles deben sustituirse inmediatamente.

### Manipulación de rayos láser

- No mire directamente el rayo, ni desde grandes distancias.
- No debe dirigir el rayo de medición hacia personas, otros seres vivos ni superficies reflectantes.
- Las gafas para láser convencionales no protegen de los peligros de los rayos láser. Solo sirven para reconocer mejor el rayo láser.

### LL501DC láser rojo:



**LL502DC láser verde:****2. INFORMACION DEL PRODUCTO****Uso previsto**

El láser de líneas cruzadas sirve para determinar y comprobar las líneas horizontales y verticales en las paredes y, por ello, ha sido diseñado para alinear objetos tales como azulejos o cuadros. El láser de líneas cruzadas es apto para uso en interiores.

**ESPECIFICACIONES TÉCNICAS**

Modelo n.º	LL501DC	LL502DC
Número de líneas	2	
Dirección de los haces	Vertical/nivel	
Color de la línea láser	Rojo	Verde
Longitud de onda del láser	620 ~ 690 nm	510 ~ 530 nm
Clase de láser	II (<mW) según la norma EN60825-1: 2014;	
Intervalo de trabajo*	10m	18m
Precisión	± 0.8 mm/m	
Intervalo de autonivelación	± 5°	
Tiempo de nivelación	4 s	
Clase de protección	IP 20	
Conexión de trípode	1/4"	
Trípode recomendado	LL801AA	
Tiempo de funcionamiento, máx.	14 horas	4 horas
Temperatura de funcionamiento	-10 ~ 40 °C	
Temperatura de almacenamiento	-20 ~ 70 °C	
Pilas	2 de 1,5 V de tipo LR03 AAA (alcalina)	
Peso (sin las pilas)	190 g	
Dimensiones	65x55x70 mm	

\* El intervalo de trabajo puede reducirse en condiciones ambientales desfavorables (p. ej., luz solar directa).

**DESCRIPCIÓN**

Los numeros del texto se refieren a los diagramas de las paginas 2-4.

**Fig. A**

1. Botón de modo de funcionamiento / encendido / apagado
2. Interruptor de bloqueo / encendido / apagado
3. Salida del haz del láser
4. Conexión de trípode de ¼ in
5. Tapa del alojamiento de pilas
6. Dispositivo de sujeción universal
7. Mordazas de sujeción
8. Botón de bloqueo (para mordazas de sujeción)
9. Botón de ajuste (para articulaciones de rótula)

**3. MONTAJE****Colocar / cambiar la batería (Fig. B)**

1. Abra la tapa del compartimento de las pilas (5).
2. Si es necesario, retire las pilas viejas.
3. Inserte las pilas con la polaridad correcta de acuerdo con las indicaciones.
4. Cierre la tapa del alojamiento de las pilas (5).

**Usar el dispositivo de fijación universal (Fig. C)**

1. Enrosque el dispositivo de sujeción universal (6) en la conexión del trípode (4) del dispositivo.
2. Afloje el botón de bloqueo (8) y separe las mordazas de sujeción (7) hasta que encajen en el soporte.
3. Apriete el botón de bloqueo (8) hasta que las mordazas del dispositivo de sujeción universal (6) queden bien fijadas en el soporte y el montaje quede inmóvil.
4. Afloje el botón de ajuste (9).
5. Gire el dispositivo hacia la posición que desee.
6. Vuelva a apretar el botón de ajuste (9).
7. Para soltar las mordazas de sujeción, afloje el dispositivo de sujeción universal (6) hasta que se pueda sacar del soporte sin dificultad.

**Usar el trípode (no suministrado)**

1. Coloque el dispositivo con la conexión del trípode de 1/4" (4) en la rosca del trípode o en un trípode común de cámara.
2. Alinee aproximadamente el trípode antes de encender el dispositivo.



## 4. FUNCIONAMIENTO



*Debe utilizarse solo el centro de la línea del láser para marcar. El ancho de la línea del láser cambia según la distancia.*



*Se recomienda realizar una comprobación de precisión antes del primer uso y comprobaciones periódicas durante el uso futuro, especialmente en caso de diseños precisos. También en caso de caída del láser.*



**Los componentes defectuosos pueden provocar lesiones!** *El producto solo puede ponerse en funcionamiento en ausencia de fallos. Asegúrese de sustituir las partes defectuosas antes de volver a utilizar el producto.*



**Advertencia! Riesgo de daños debido a los rayos láser!** *No debe dirigir el rayo de medición hacia personas, otros seres vivos ni superficies reflectantes.*

### Comprobaciones del dispositivo:

- Asegurese de que todas las partes encajen en el dispositivo con firmeza.
- Compruebe la existencia de defectos visibles: partes rotas, grietas, etc.
- Compruebe la precisión la primera vez que lo use o si no ha comprobado la precisión del láser recientemente.
- Compruebe la precisión también en caso de caída del láser.

### Modo de autonivelación (Fig. A, D1)

Los láseres son alineados automáticamente por el péndulo, para que las líneas verticales y horizontales se muestren niveladas en la pared.

1. Coloque el láser sobre una superficie plana, en el dispositivo de sujeción universal (7) o en el trípode (no suministrado), y apriételo como se describe arriba.
2. Deslice el interruptor de bloqueo (2) hacia la izquierda para encender el dispositivo. El botón de modo de funcionamiento (1) se ilumina en verde. Si el botón de modo de funcionamiento (1) se ilumina en rojo y el láser parpadea, se ha superado el intervalo de inclinación permitido

de 5 grados. Coloque el dispositivo horizontalmente hasta que el botón de modo de funcionamiento se encienda en verde.

3. Para apagarlo, deslice el interruptor de bloqueo hacia la derecha. El láser se apaga y el péndulo se bloquea.



*Apague la herramienta de medición cuando la transporte. La unidad de péndulo se bloquea cuando se apaga la herramienta, de lo contrario puede dañarse.*

### Modo manual (Fig. A, D2)

El láser puede alinearse manualmente en el ángulo que se desee, por ejemplo, para que muestre una línea diagonal.

1. Coloque el láser sobre una superficie plana, en el dispositivo de sujeción universal (7) o en el trípode (no suministrado), y apriételo como se describe arriba.
2. Compruebe si el interruptor de bloqueo (2) está ajustado a la derecha. Si no lo está, deslice el interruptor de bloqueo (2) hacia la derecha.
3. Pulse el botón de modo de funcionamiento (1) para encender el láser, se iluminará en rojo porque el péndulo está bloqueado.
4. Ahora puede inclinar el láser hacia el ángulo que desee, para que las líneas se muestren diagonalmente en la pared, como se muestra en la Fig. D2.
5. Para apagarlo, pulse el botón de modo de funcionamiento (1).

## 5. MANTENIMIENTO

### Comprobación de la precisión



*Debe utilizarse solo el centro de la línea del láser para marcar. El ancho de la línea del láser cambia según la distancia.*

### Comprobación rápida de la línea horizontal (Fig. A, E1)

1. Coloque el dispositivo a aproximadamente 5 metros de la pared.
2. Deslice el interruptor de bloqueo (2) hacia la izquierda para encender el dispositivo. El botón de modo de funcionamiento (1) se ilumina en verde. Si el botón de modo de funcionamiento (1) se ilumina en rojo y el láser parpadea, se ha superado el intervalo de inclinación permitido

de 5 grados. Coloque el dispositivo en posición horizontal.

- Después de que se autonivele, haga una marca horizontal en la pared como se muestra en la figura E1. Márquelo como punto A.
- Gire el láser 2,5 m a la derecha.
- Enciende el láser, y después de que se autonivele, haga una marca horizontal en la pared. Márquelo como punto B, como se muestra en la figura E1. Cuando los puntos A y B están a más de 2,5 mm de distancia desde una perspectiva vertical, es necesario comprobar la calibración.

#### Comprobación rápida de la línea vertical (Fig. A, E2):

- Coloque el dispositivo a aproximadamente 5 metros de la pared.
- Cuelgue una cuerda de 2,5 metros en la pared con un peso en el extremo de la cuerda, como se muestra en la figura E2. La cuerda debe poder oscilar libremente.
- Deslice el interruptor de bloqueo (2) hacia la izquierda para encender el dispositivo. Coloque la línea vertical cerca de la cuerda. El botón de modo de funcionamiento (1) se ilumina en verde. Si el botón de modo de funcionamiento (1) se ilumina en rojo y el láser parpadea, se ha superado el intervalo de inclinación permitido de 5 grados. Coloque el dispositivo en posición horizontal. Después de que se autonivele, la diferencia no debe exceder  $\pm 2.5$  mm. Cuando está a más de 2,5 mm de distancia, es necesario una comprobación de calibración.

#### Comprobación de la calibración (Fig. A, F)

La precisión del haz horizontal puede comprobarse como sigue:

- Coloque el dispositivo en un trípode, centrado en una habitación con paredes idealmente a 5 metros de distancia.
- Deslice el interruptor de bloqueo (2) hacia la izquierda para encender el dispositivo. El botón de modo de funcionamiento (1) se ilumina en verde. Si el botón de modo de funcionamiento (1) se ilumina en rojo y el láser parpadea, se ha superado el intervalo de inclinación permitido de 5 grados. Coloque el dispositivo en posición horizontal.
- Después de que se autonivele, haga una marca horizontal en la pared en cualquier punto a lo largo de la línea horizontal, para indicar la

altura del haz. Márquelo como punto A, como se muestra en la figura F1.

- Gire el dispositivo a 180°, y después de que se autonivele, marque el punto B como se muestra en la Fig. F2.
- Gire el dispositivo a 180°. Coloque el dispositivo lo más cerca posible de la pared a la altura del punto A, como se muestra en la Fig. F3.
- Gire el dispositivo a 180°, y después de que se autonivele, marque el punto C. Esta marca debe estar directamente arriba, debajo o sobre el punto B como se muestra en la Fig. F4. La diferencia entre los puntos B y C es la tolerancia.

Cuando B y C están a más de 0,8 mm/m de distancia, es necesario realizar un ajuste. Póngase en contacto con su distribuidor autorizado o con el Departamento de Servicios de Vonroc.

#### Limpieza



**AVISO! Peligro de dano al producto!** No debe sumergir el dispositivo en agua durante la limpieza.

No utilice agentes de limpieza ni disolventes. Frote el dispositivo con un pano seco.

#### Almacenamiento



**AVISO! Peligro de dano al producto!** Manipule siempre los instrumentos de medición con cuidado.

- Guarde el producto en un lugar seco y bien ventilado.
- Guarde y transporte el producto únicamente en su envase original.
- Evite las grandes fluctuaciones de temperatura: Temple el producto durante un tiempo antes de utilizarlo en entornos de frío o calor extremo.

#### MEDIOAMBIENTE



Los aparatos eléctricos o electrónicos defectuosos y/o desechados deben recogerse en lugares de reciclado apropiado.

#### Solo para países de la Comunidad Europea

No elimine las herramientas eléctricas como residuos domésticos. De acuerdo con la Directiva europea 2012/19/CE sobre residuos de aparatos

eléctricos y electrónicos, y su transposición a las legislaciones nacionales, las herramientas eléctricas que ya no se utilizan deben recogerse por separado y eliminarse en modo ecológico.

## CONDICIONES DE GARANTÍA

Los productos VONROC han sido desarrollados con los más altos estándares de calidad y VONROC garantiza que están exentos de defectos relacionados con los materiales y la fabricación durante el periodo legalmente estipulado, a contar desde la fecha de compra original. En caso de que el producto presente defectos relacionados con los materiales y/o la fabricación durante este periodo, póngase directamente en contacto VONROC.

La presente garantía se excluye en los siguientes casos:

- Si centros de servicios no autorizados han realizado o han intentado realizar reparaciones y/o alteraciones a la máquina.
- Si se ha producido un desgaste normal.
- Si la herramienta ha sido mal tratada o usada en modo impropio, o se ha realizado incorrectamente su mantenimiento.
- Si se han utilizado piezas de repuesto no originales.

La presente constituye la única garantía implícita y explícita que ofrece la compañía. No existen otras garantías explícitas o implícitas que excedan las citadas aquí, incluidas las garantías implícitas de comerciabilidad e idoneidad para una finalidad en especial. VONROC no será considerada responsable en ningún caso por daños incidentales o consecuentes. Los recursos a disposición de los distribuidores se limitan a la reparación o a la sustitución de las unidades o piezas no conformes.

**El producto y el manual de usuario están sujetos a variaciones. Las especificaciones pueden variarse sin previo aviso.**

## 1. ISTRUZIONI DI SICUREZZA

Leggere accuratamente gli avvisi di sicurezza, gli avvisi di sicurezza aggiuntivi e le istruzioni. La mancata osservanza degli avvisi di sicurezza e delle istruzioni potrebbe causare scosse elettriche, incendio e/o gravi lesioni. Mantenere gli avvisi di sicurezza e le istruzioni a portata di mano per future consultazioni.

I seguenti simboli sono utilizzati nel presente manuale utente o sul prodotto:



*Leggere il manuale per l'utente.*



*Denota il rischio di lesioni personali, morte o danni all'utensile in caso di mancata osservanza delle istruzioni contenute nel presente manuale.*



*Non smaltire il prodotto in contenitori non idonei.*



*Il prodotto è conforme agli standard pertinenti in materia di sicurezza previsti dalla legislazione Europea.*



*Rischio di lesioni agli occhi provocate da raggi laser! Non fissare mai direttamente il raggio laser e non dirigere il raggio laser verso superfici riflettenti!*

### ISTRUZIONI DI SICUREZZA GENERALI

- Prima di utilizzare questo dispositivo la prima volta l'utilizzatore deve avere letto e compreso queste istruzioni per l'uso, affinché sia garantita la sicurezza.
- Seguire tutte le istruzioni di sicurezza! La mancata osservanza delle suddette istruzioni può provocare danni a se stessi e agli altri.
- Conservare tutte le istruzioni per l'uso e le istruzioni di sicurezza per successive consultazioni.
- In caso di vendita o cessione del dispositivo consegnare anche questo manuale operativo al nuovo proprietario.
- Utilizzare il dispositivo solo se funziona correttamente. Se il prodotto o parti dello stesso dovessero essere difettosi interromperne l'utilizzo e smaltirli correttamente.

- Non utilizzare in nessun caso il dispositivo in un ambiente esposto al rischio di esplosione o in prossimità di liquidi o gas infiammabili.
- Tenere i bambini a debita distanza dal dispositivo! Tenere il dispositivo lontano dalla portata di bambini e di altre persone non autorizzate.

#### Uso dei dispositivi a batteria

- Utilizzare esclusivamente batterie approvate dal produttore.
- Pericolo di incendio! Non ricaricare mai le batterie.
- Tenere le batterie inutilizzate lontano da oggetti metallici che potrebbero provocarne il cortocircuito. Vi è il rischio che si verifichino lesioni personali e incendi.
- Se utilizzate in maniera non corretta, dalle batterie potrebbe uscire del liquido, che può provocare irritazioni cutanee e ustioni. Evitare il contatto! In caso di contatto accidentale risciacquare accuratamente con acqua. Se il liquido dovesse entrare a contatto con gli occhi rivolgersi immediatamente a un medico.

#### ISTRUZIONI DI SICUREZZA SPECIFICHE

- Questo dispositivo è destinato all'uso in un ambiente asciutto.
- Evitare l'esposizione ad umidità e sporcizia e all'irraggiamento solare diretto.
- Non azionare il dispositivo in prossimità di saldatrici, riscaldatori a induzione e altri campi elettromagnetici.
- Non esporre il dispositivo a temperature elevate per un lungo periodo.
- Non rimuovere né coprire i simboli che compaiono sul dispositivo. Sostituire immediatamente l'eventuale segnaletica non più leggibile sul dispositivo.

#### Comportamenti da assumere con i raggi laser

- Non fissare direttamente il raggio laser, neppure se ci si trova a una certa distanza.
- Non dirigere mai il raggio laser per la misurazione verso persone, altre creature viventi o superfici riflettenti.
- Gli occhiali per raggio laser convenzionali non sono efficaci per proteggere gli occhi dai pericoli dei raggi laser. Essi servono per un migliore riconoscimento del raggio laser.

#### LL501DC laser rosso:



##### Avvertenza - Raggio laser

Non guardare mai il fascio di luce  
Laser Classe 2 in conformità alla  
norma EN60825-1: 2014;  
λ: 620-690 nm; P< 1mW

#### LL502DC laser verde:



##### Avvertenza - Raggio laser

Non guardare mai il fascio di luce  
Laser Classe 2 in conformità alla  
norma EN60825-1: 2014;  
λ: 510-530 nm; P< 1mW

## 2. INFORMAZIONI SUL PRODOTTO

#### Uso previsto

Il laser a linee incrociate serve per determinare e verificare le linee orizzontali e verticali sulla parete ed è quindi sviluppato per allineare oggetti come piastrelle o immagini. Il laser a linee incrociate è indicato per l'utilizzo in locali interni.

#### DATI TECNICI

Modello n.º	LL501DC	LL502DC
Numero di linee	2	
Direzione dei raggi	Verticale/a livello	
Colore della linea del laser	Rosso	Verde
Lunghezza d'onda del laser	620 ~ 690 nm	510 ~ 530 nm
Classe laser	II (<mW) secondo EN60825-1: 2014;	
Ambito di lavoro*	10m	18m
Precisione	± 0.8 mm/m	
Ambito di autolivellamento	± 5°	
Durata di livellamento	4 s	
Classe di protezione	IP 20	
Connessione treppiede	1/4"	
Treppiede raccomandato	LL801AA	
Durata di esercizio, max.	14 ore	4 ore
Temperatura di funzionamento	-10 ~ 40 °C	
Temperatura di stoccaggio	-20 ~ 70 °C	
Batteria	2x 1,5V tipo LR03 AAA (alcalino)	
Peso (senza batterie)	190 g	
Dimensioni	65x55x70 mm	

\* L'ambito di lavoro potrebbe essere ridotto da condizioni ambientali sfavorevoli (per esempio l'irraggiamento diretto del sole).

## DESCRIZIONE

I numeri che compaiono nel testo si riferiscono agli schemi riportati alle pagine 2-4.

### Fig. A

1. Modalità operativa / accesa / spenta
2. Interruttore di bloccaggio / acceso / spento
3. Uscita raggio laser
4. Connessione treppiede a un quarto di pollice
5. Coperchio dello scomparto batterie
6. Morsetto universale
7. Ganasce morsetto
8. Pomello di bloccaggio (per ganasce morsetto)
9. Pomello di impostazione (per snodi sferici)

## 3. MONTAGGIO

### Inserimento / sostituzione batterie (Fig. B)

1. Aprire il coperchio del vano batterie (5).
2. Se applicabile, rimuovere le batterie esauste.
3. Inserire le batterie con la polarità corretta conformemente alle indicazioni.
4. Chiudere il coperchio del vano batterie (5).

### Utilizzo del morsetto universale (Fig. C)

1. Avvitare il morsetto universale (6) nella connessione treppiede (4) sul dispositivo.
2. Allentare il pomello di bloccaggio (8) e spingere le ganasce del morsetto (7) dividendole fino a quando esse non si inseriscono sul supporto.
3. Serrare il pomello di bloccaggio (8) fino a quando le ganasce del morsetto universale (6) non sono attaccate in modo fisso sul supporto e non è più possibile spostare il carrello.
4. Allentare i due pomelli di impostazione (9).
5. Ruotare il dispositivo nella posizione desiderata.
6. Serrare nuovamente il pomello di impostazione (9).
7. Per sganciare le ganasce, allentare il morsetto universale (6) fino a quando esso non può essere rimosso dal carrello senza difficoltà.

### Utilizzo del treppiede (non in dotazione)

1. Posizionare il dispositivo con la connessione treppiede (4) a un quarto sul filetto del treppiede o un treppiede convenzionale per fotocamera.
2. Allineare in modo approssimativo il treppiede prima di mettere in funzione il dispositivo.

## 4. FUNZIONAMENTO



*Solo il centro del laser deve essere usato per la demarcazione. La larghezza della linea del laser cambia a seconda del dispositivo.*



*Si raccomanda di eseguire una verifica di precisione prima del primo utilizzo e delle verifiche periodiche durante l'utilizzo futuro, in particolare per le configurazioni di precisione. Ciò vale anche quando il laser potrebbe essere stato abbassato.*



**Pericolo di lesioni personali causate da componenti difettosi!** Il prodotto deve essere utilizzato solo se non vengono rilevati difetti. Assicurarsi che tutte le parti difettose siano sostituite prima di riutilizzare il dispositivo.



**ATTENZIONE! Rischio di lesioni personali provocate da raggi laser!** Non dirigere mai il raggio laser verso persone, altre creature viventi o superfici riflettenti.

### Controllo del dispositivo

- Assicurarsi che tutte le parti siano saldamente fissate sul dispositivo.
- Controllare l'eventuale presenza di difetti visibili: parti rotte, crepe, ecc.
- Verificare la precisione durante il primo utilizzo del laser o quando non è stata verificata la precisione del laser per un certo periodo.
- Verificare la precisione anche quando il laser potrebbe essere stato abbassato.

### Modalità di autolivellamento (Fig. A, D1)

I laser sono allineati automaticamente mediante il pendolo, cosicché le linee verticali e orizzontali sono visualizzate a livello con la parete.

1. Posizionare il laser su una superficie piana o inserirlo in un morsetto universale (7) o un treppiede (non in dotazione) e fissarlo come da descrizione sopra.
2. Far scivolare l'interruttore di bloccaggio (2) verso sinistra per mettere in funzione il dispositivo. Il pulsante della modalità di esercizio (1) è diventato verde. Se il pulsante della modalità di esercizio (1) è diventato rosso e il laser lam-

- peggia, è stato superato l'ambito di inclinazione ammesso pari a 5 gradi. Posizionare il dispositivo orizzontalmente fino a quando il pulsante della modalità di esercizio non diventa verde.
3. Per lo spegnimento far scivolare l'interruttore di bloccaggio verso destra. Il laser viene spento e il pendolo viene bloccato.



*Spegnimento dell'utensile di misurazione durante il trasporto. L'unità del pendolo è bloccata quando l'utensile è spento, poiché altrimenti potrebbe essere danneggiato.*

### Modalità manuale (Fig. A, D2)

Il laser può essere allineato manualmente sull'angolo desiderato per attivare per esempio la rappresentazione di una linea diagonale.

1. Posizionare il laser su una superficie piana o inserirlo in un morsetto universale (7) o un treppiede (non in dotazione) e fissarlo come da descrizione sopra.
2. Verificare se l'interruttore di bloccaggio (2) è settato sulla destra. In caso contrario, far scivolare l'interruttore di bloccaggio (2) verso destra.
3. Premere il pulsante della modalità di esercizio (1) per mettere in funzione il laser e il pulsante della modalità di esercizio (1) diventa rosso, poiché il pendolo è bloccato.
4. Ora è possibile inclinare il laser con l'angolo desiderato, affinché le linee sono rappresentate in diagonale sulla parete come da illustrazione nella fig. D2.
5. Per spegnerlo, premere il pulsante della modalità di esercizio (1).

## 5. MANUTENZIONE A

### Verifica di precisione



*Solo il centro del laser deve essere usato per la demarcazione. La larghezza della linea del laser cambia a seconda del dispositivo.*

### Verifica veloce della linea orizzontale (Fig. A, E1)

1. Settare il dispositivo a circa 5 metri dalla parete.
2. Far scivolare l'interruttore di bloccaggio (2) verso sinistra per mettere in funzione il dispositivo. Il pulsante della modalità di esercizio (1) è diventato verde. Se il pulsante della modalità di esercizio (1) è diventato rosso e il laser lampeggia, è stato superato l'ambito di inclinazione

ammesso pari a 5 gradi. Posizionare il dispositivo orizzontalmente.

3. Dopo il suo autolivellamento eseguire una demarcazione orizzontale sulla parete come da illustrazione nella figura E1. Contrassegnare questo punto come punto A.
4. Girare il laser 2,5 m verso destra.
5. Mettere in funzione il laser e dopo il suo autolivellamento eseguire una demarcazione orizzontale sulla parete. Contrassegnare questo punto come punto B come da illustrazione nella figura E1. Quando i punti A e B sono distanti più di 2,5 mm dalla prospettiva verticale, è necessario eseguire una verifica di calibrazione.

### Verifica veloce della linea verticale (Fig. A, E2):

1. Settare il dispositivo a circa 5 metri dalla parete.
2. Agganciare una fune con lunghezza di 2,5 metri sulla parete con un peso all'estremità della fune come da illustrazione nella figura E2. La fune deve poter oscillare liberamente.
3. Far scivolare l'interruttore di bloccaggio (2) verso sinistra per mettere in funzione il dispositivo. Posizionare la linea verticale vicino al cavo. Il pulsante della modalità di esercizio (1) è diventato verde. Se il pulsante della modalità di esercizio (1) è diventato rosso e il laser lampeggia, è stato superato l'ambito di inclinazione ammesso pari a 5 gradi. Posizionare il dispositivo orizzontalmente. Dopo il suo autolivellamento la differenza non deve essere superiore a  $\pm 2,5$  mm. Quando la distanza è superiore a 2,5 mm, è necessario eseguire una verifica di calibrazione.

### Verifica di calibrazione (Fig. A, F)

La precisione del raggio orizzontale può essere verificato in base ai seguenti passi:

1. Settare il dispositivo su un treppiede con centraggio in un locale con pareti distanti idealmente 5 metri una dall'altra.
2. Far scivolare l'interruttore di bloccaggio (2) verso sinistra per mettere in funzione il dispositivo. Il pulsante della modalità di esercizio (1) è diventato verde. Se il pulsante della modalità di esercizio (1) è diventato rosso e il laser lampeggia, è stato superato l'ambito di inclinazione ammesso pari a 5 gradi. Posizionare il dispositivo orizzontalmente.

3. Dopo il suo autolivellamento, eseguire una demarcazione orizzontale sulla parete su un qualsiasi punto lungo la linea orizzontale per indicare l'altezza del raggio. Contrassegnare questo punto come punto A come da illustrazione nella figura F1.
4. Ruotare il dispositivo di 180° e dopo il suo autolivellamento, contrassegnare il punto B come da illustrazione nella figura F2.
5. Ruotare il dispositivo di 180°. Posizionare il dispositivo il più vicino possibile alla parete sull'altezza del punto A come da illustrazione nella fig. F3.
6. Girare il dispositivo di 180° e dopo il suo autolivellamento, contrassegnare il punto C. Questa demarcazione dovrebbe essere direttamente sopra, sotto o sulla sommità del punto B come da illustrazione nella fig. F4. La differenza tra i punti B e C è la tolleranza.

Quando B e C sono distanti per più di 0,8 mm/ m, è necessario eseguire una regolazione. Contattare il proprio rivenditore autorizzato o altrimenti il servizio assistenza Vonroc.

#### Pulizia



**AVVISO! Rischio di danneggiamento del prodotto!** Durante la pulizia non immergere mai il dispositivo nell'acqua.

Non utilizzare detersivi o solventi chimici. Strofinare il dispositivo con un panno asciutto.

#### Conservazione



**AVVISO! Rischio di danneggiamento del prodotto!** Maneggiare sempre gli strumenti di misurazione con cautela.

- Conservare il prodotto in un ambiente asciutto e ben arieggiato.
- Conservare e trasportare il prodotto solo nella confezione originale.
- Evitare forti sbalzi di temperatura: prima di utilizzare il prodotto in ambienti caratterizzati da temperature estreme attendere sempre qualche istante affinché si adatti alla temperatura ambientale.

#### Dispositivo inutilizzato per un periodo prolungato

- Se si prevede che il dispositivo rimarrà inutilizzato per un lungo periodo rimuovere le batterie.



**AVVISO! Rischio di danneggiamento del prodotto!** Batterie vecchie che perdono liquido possono danneggiare il prodotto. Verificare regolarmente le condizioni delle batterie.

#### RISPETTO AMBIENTALE



Le apparecchiature elettriche o elettroniche difettose e/o scartate devono essere raccolte presso gli opportuni siti di riciclaggio.

#### Solo per i Paesi CE

Non smaltire gli elettrotensili insieme ai rifiuti domestici. Secondo la Direttiva europea 2012/19/EC sui rifiuti delle apparecchiature elettriche ed elettroniche e relativa implementazione nelle normative locali, gli elettrotensili ormai inutilizzabili devono essere raccolti separatamente e smaltiti in modo ecologico.

#### DEFINIZIONI DELLA GARANZIA

I prodotti VONROC sono sviluppati secondo i più elevati standard di qualità e viene garantita l'assenza di difetti nei materiali e nella manodopera per il periodo contrattuale a partire dalla data di acquisto originale. Qualora il prodotto dovesse subire un guasto qualsiasi durante questo periodo a causa di difetti nei materiali e/o nella manodopera, si prega di contattare direttamente il VONROC.

Le seguenti circostanze sono escluse da questa garanzia:

- Riparazioni e/o modifiche alla macchina sono state eseguite o tentate da centri di assistenza non autorizzati.
- Normale usura.
- L'utensile è stato abusato, utilizzato o manutenu-  
to in modo improprio.
- Sono state utilizzate parti di ricambio non originali.

Ciò costituisce l'unica garanzia espressa o implicita fornita dall'azienda. Non esistono altre garanzie espresse o implicite che si estendono oltre il presente documento, ivi comprese le garanzie implicite di commerciabilità e idoneità per uno scopo particolare. In nessun caso VONROC sarà responsabile di eventuali danni incidentali o consequenziali. I rime-di dei rivenditori saranno limitati alla riparazione o sostituzione di unità o parti non conformi.

**Il prodotto e il manuale per l'utente sono soggetti a modifiche. I dati tecnici possono essere modificati senza ulteriore notifica.**

## 1. SÄKERHETSFÖRESKRIFTER

Läs de medföljande säkerhetsvarningarna, de tillkommande säkerhetsvarningarna och anvisningarna. Om inte säkerhetsvarningarna och anvisningarna följs kan detta orsaka elstötar, brand och/eller allvarliga kroppsskador. Behåll säkerhetsvarningarna och anvisningarna för framtida bruk.

Följande symboler används i bruksanvisningen eller på produkten:



Läs igenom bruksanvisningen.



Anger risk för personskada, dödsfall eller skada på verktyget om anvisningarna i denna handbok inte följs.



Släng inte produkten i olämpliga behållare.



Produkten är i överensstämmelse med tillämpliga säkerhetsstandarder i EU-direktiven.



Risk för ögonskada på grund av laserstrålar! Titta aldrig direkt in i lasern och rikta inte laserstrålen mot reflekterande ytor!

### ALLMÄNNA SÄKERHETSVARNINGAR

- För att använda den här enheten på ett säkert sätt måste användaren ha läst och förstått dessa anvisningar innan den används för första gången.
- Följ alla säkerhetsanvisningar! Underlåtenhet att göra det kan skada dig och andra.
- Behåll alla bruksanvisningar och säkerhetsanvisningar för framtida referens.
- Om du säljer eller lämnar enheten vidare, måste du också överlämna dessa bruksanvisningar.
- Enheten får endast användas när den fungerar korrekt. Om produkten eller någon del av produkten är defekt måste den tas ur drift och bortskaffas på rätt sätt.
- Använd aldrig enheten i ett utrymme där det finns explosionsrisk eller nära brandfarliga vätskor eller gaser.
- Håll barn borta från enheten! Håll enheten borta från barn och andra obehöriga.



### Använda batteridrivna enheter

- Använd endast batterier som godkänts av tillverkaren.
- Risk för brand! Ladda aldrig batterierna.
- Håll batterierna borta från metallobjekt som kan orsaka kortslutning när de inte används. Det finns risk för skador och bränder.
- Vätska kan läcka från batteriet när det används felaktigt. Batterievätska kan orsaka hudirritation och brännskador. Undvik kontakt! Vid oavsiktlig kontakt skölj noggrant. Uppsök omedelbart hjälp av en läkare vid ögonkontakt.

### SÄRSKILDA SÄKERHETSVARNINGAR

- Enheten är avsedd att användas i torr miljö.
- Undvik påverkan av fukt och smuts samt direkt solljus.
- Använd inte enheten i närheten av svetsmaskiner, induktionsvärmare och andra elektromagnetiska fält.
- Utsätt inte enheten för höga temperaturer under en längre tid.
- Symboler som visas på din enhet får inte tas bort eller täckas över. Skyltar på enheten som inte längre är läsbara måste bytas ut omedelbart.

### Hantering av laserstrålar

- Titta inte direkt in i strålen, inte ens från stora avstånd.
- Rikta aldrig mätstrålen mot människor, andra levande varelser eller reflekterande ytor.
- Konventionella laserglasögon skyddar inte mot farorna med laserstrålar. De tjänar endast för förbättrad igenkänning av laserstrålen.

#### LL501DC röd laser:



#### LL502DC grön laser:



## 2. MASKININFORMATION

### Avsedd användning

Korslinjelasern är avsedd för att bestämma och kontrollera horisontella och vertikala linjer på väggen och är därför utformad för att rikta in objekt som kakel eller bilder. Korslinjelasern är lämplig för inomhusbruk.

### TEKNISKA SPECIFIKATIONER

Modell-nr	LL501DC	LL502DC
Antal rader	2	
Strålarnas riktning	Vertikal/nivå	
Färg på laserlinjen	Röd	Grön
Laservåglängd	620~690 nm	510~530 nm
Laserklass	II (<mW) enligt EN60825-1: 2014;	
Arbetsområde*	10 m	18 m
Korrekthet	± 0,8 mm/m	
Självjämnande intervall	± 5°	
Ujämningstid	4 s	
Skydd	IP 20	
Stativanslutning	1/4 tum	
Rekommenderat stativ	LL801AA	
Drifttid, max.	14 timmar	4 timmar
Driftstemperatur	-10~40 °C	
Förvaringstemperatur	-20~70 °C	
Batteri	2x 1,5V typ LR03 AAA (alkalisk)	
Vikt (utan batteri)	190 g	
Mått	65x55x70 mm	

\* Arbetsområdet kan minskas av ogynnsamma miljöförhållanden (t.ex. direkt solljus).

### BESKRIVNING

Siffrorna i texten hänvisar till diagrammen på sidorna 2-4.

#### Fig. A

- Knapp för driftläge på/av
- Låsbrytare på/av
- Laserstråleutlopp
- ¼ tum stativanslutning

5. Batterilock
6. Universalklämma
7. Klämbackar
8. Låsknapp (för spännbackar)
9. Justeringsknapp (för kulleleder)

### 3. MONTERING

#### Sätta i / byta batterierna (fig. B)

1. Öppna batterifackets lock (5).
2. Ta bort de gamla batterierna, om det finns några.
3. Sätt i batterier med korrekt polaritet enligt indikationerna.
4. Stäng batterifackets lock (5).

#### Använda universalklämman (fig. C)

1. Skruva fast universalklämman (6) i stativanslutningen (4) vid enheten.
2. Lossa låsknappen (8) och skjut spännbackarna (7) isär tills de passar i hållaren.
3. Dra åt låsknappen (8) tills universalklämman (6) sitter fast ordentligt på hållaren och fästet inte längre kan flyttas.
4. Lossa justeringsknappen (9).
5. Vrid enheten till önskat läge.
6. Dra åt justeringsknappen igen (9).
7. För att lossa klämbackarna, lossa universalklämman (6) tills den utan problem kan tas bort från hållaren.

#### Använda stativet (ingår ej)

1. Placera enheten med 1/4-tums stativanslutning (4) på stativets gänga eller ett konventionellt kamerastativ.
2. Rikta in stativet ungefärligt innan du slår på enheten.

### 4. DRIFT



Endast mitten av laserlinjen får användas för markering. Bredden på laserlinjen ändras beroende på avståndet.



Vi rekommenderar att du utför en noggrannhetskontroll före första användning och regelbundna kontroller vid framtida användning, särskilt för exakta layouter. Även när lasern kan ha tappats.



Risk för skador på grund av defekta komponenter! Produkten får endast tas i bruk om inga fel upptäcks. Se till att defekta delar byts ut innan produkten används igen.



**VARNING! Risk för skada på grund av laserstrålar!** Rikta aldrig laserstrålen mot människor, andra levande varelser eller reflekterande ytor.

#### Kontrollera enheten:

- Se till att alla delar sitter ordentligt på maskinen.
- Kontrollera om det finns synliga defekter: trasiga delar, sprickor etc.
- Kontrollera noggrannheten när det är första gången du använder lasern eller när lasern inte har kontrollerats för noggrannhet på ett tag.
- Kontrollera noggrannheten även när lasern kan ha tappats.

#### Självjämnande läge (fig. A, D1)

Lasrarna justeras automatiskt av pendeln så att de vertikala och horisontella linjerna visas jämnt på väggen.

1. Placera lasern på en plan yta eller montera den på universalklämman (7) eller stativet (ingår ej) och fäst den enligt beskrivningen ovan.
2. Skjut låsbrytaren (2) åt vänster för att slå på enheten. Knappen för driftläge (1) lyser grönt. Om driftlägesknappen (1) lyser rött och lasern blinkar överskrids det tillåtna lutningsområdet på 5 grader. Placera enheten horisontellt tills driftslägesknappen lyser grönt.
3. För att stänga av, skjut låsknappen åt höger. Lasern stängs av och pendeln låses.



Stäng av mätverktyget när du transporterar det. Pendelenheten är låst när verktyget stängs av, eftersom den annars kan skadas.

#### Manuellt läge (fig. A, D2)

Lasern kan justeras manuellt till den önskade vinkeln, för att till exempel visa en diagonal linje.

1. Placera lasern på en plan yta eller montera den på universalklämman (7) eller stativet (ingår ej) och fäst den enligt beskrivningen ovan.

2. Kontrollera om låsbrytaren (2) är ställd till höger. Om inte, skjut låsknappen (2) åt höger.
3. Tryck på driftläges-knappen (1) för att sätta på lasern och knappen för driftläge (1) lyser rött eftersom pendeln är blockerad.
4. Nu kan du luta lasern till den vinkel du behöver, så att linjerna visas diagonalt på väggen som visas i fig. D2.
5. Stäng av genom att trycka in strömbrytaren (1).

## 5. UNDERHÅLL

### Noggrannhetskontroll



*Endast mitten av laserlinjen får användas för markering. Bredden på laserlinjen ändras beroende på avståndet.*

### Snabb horisontell linjekontroll (fig. A, E1)

1. Ställ in enheten på cirka 5 meter från väggen.
2. Skjut låsbrytaren (2) åt vänster för att slå på enheten. Knappen för driftläge (1) lyser grönt. Om driftlägesknappen (1) lyser rött och lasern blinkar överskrids det tillåtna lutningsområdet på 5 grader. Placera enheten horisontellt.
3. Efter att den har planat ut själv, markera en horisontell markering på väggen som visas i figur E1. Märk detta som punkt A.
4. Vrid lasern 2,5 m åt höger.
5. Sätt på lasern och markera den horisontellt på väggen efter att den har planat ut själv. Märk detta som punkt B som visas i figur E1. När punkterna A och B är mer än 2,5 mm från ett vertikalt perspektiv är en kalibreringskontroll nödvändig.

### Snabb vertikal linjekontroll (fig. A, E2):

1. Ställ in enheten på cirka 5 meter från väggen.
2. Häng ett 2,5 meter snöre på väggen med en vikt på änden av repet som visas i figur E2. Snöret måste kunna svänga fritt.
3. Skjut låsbrytaren (2) åt vänster för att slå på enheten. Placera den vertikala linjen bredvid snöret. Knappen för driftläge (1) lyser grönt. Om driftlägesknappen (1) lyser rött och lasern blinkar överskrids det tillåtna lutningsområdet på 5 grader. Placera enheten horisontellt. Efter det att det självjusterats får skillnaden inte överstiga  $\pm 2,5$  mm. Om den är mer än 2,5 mm är en kalibreringskontroll nödvändig.

### Kalibreringskontroll (fig. A, F)

Noggrannheten hos den horisontella strålen kan kontrolleras genom att följa dessa steg:

1. Ställ enheten på ett stativ, centrerat i ett rum med väggar idealiskt 5 meter bort.
2. Skjut låsbrytaren (2) åt vänster för att slå på enheten. Knappen för driftläge (1) lyser grönt. Om driftlägesknappen (1) lyser rött och lasern blinkar överskrids det tillåtna lutningsområdet på 5 grader. Placera enheten horisontellt.
3. När det har planat ut själv, markera ett horisontellt märke på väggen var som helst längs den horisontella linjen för att ange strålens höjd. Märk detta som punkt A som visas i figur F1.
4. Vrid enheten 180° och markera punkten B som den visas i figur F2 efter att den har planat ut.
5. Vrid enheten 180°. Placera enheten så nära väggen som möjligt på höjden av punkt A som visas i fig. F3.
6. Vrid enheten 180° och markera punkt C. efter att den har planat ut själv, markeringen ska antingen vara direkt ovanför, under eller ovanpå punkt B som visas i fig. F4. Skillnaden mellan punkterna B och C är toleransen.

När B och C är mer än 0,8 mm/m är det nödvändigt att justera. Kontakta din auktoriserade återförsäljare eller Vonrocs serviceavdelning.

### Rengöring



**OBSERVERA! Risk för skada på produkten!**  
*Sänk aldrig enheten i vatten under rengöring.*

Använd inte rengöringsmedel eller lösningsmedel. Torka av apparaten med en torr trasa.

### Förvaring



**OBSERVERA! Risk för skada på produkten!**  
*Hantera alltid mätinstrument med omsorg.*

- Förvara produkten på en torr, välventilerad plats.
- Förvara och transportera endast produkten i originalförpackningen.
- Förhindra stora temperatursvängningar: Temperera alltid produkten en stund innan den används i extremt kalla eller heta miljöer.

**Ta ur drift under en längre tid**

- Ta bort batterierna när de inte används under en längre tid.

**OBSERVERA! Risk för skada på produkten!**

*Gamla, läckande batterier kan skada produkten. Kontrollera batteriet regelbundet.*

eller indirekta skador. Återförsäljarens åtgärder skall begränsas till reparation eller byte av felaktiga enheter eller delar.

**Med förbehåll för ändringar i produkten och bruksanvisningen. Specifikationer kan ändras utan förvarning.**

**MILJÖ**

*Felaktig och/eller kasserad elektrisk eller elektronisk utrustning måste lämnas in på lämpliga återvinningsstationer.*

**Endast för EU-länder**

Släng inte elverktyg i hushållsavfallet. Enligt det europeiska WEEE-direktivet 2012/19/EU för avfall från elektrisk och elektronisk utrustning och dess tillämpning nationellt ska elverktyg som inte längre kan användas samlas in separat och kasseras på ett miljövänligt sätt.

**GARANTI**

VONROC produkter är utvecklade enligt högsta kvalitetsstandard och garanteras vara utan defekter både vad gäller material och tillverkning under den period som stipuleras enligt lag med början från ursprungligt inköpsdatum. Om något fel uppstår på produkten under denna period på grund av material- och/eller tillverkningsfel skall VONROC kontaktas direkt.

Följande omständigheter exkluderas från denna garanti:

- Reparationer eller ändringar som gjorts eller försökt göras på maskinen av ett icke auktoriserat servicecenter.
- Normalt slitage.
- Verktyget har missbrukats, använts fel eller underhållits på felaktigt sätt.
- Icke-originalreservdelar har använts.

Detta utgör hela garantin från företaget, antingen uttryckt eller underförstått. Det finns inga andra garantier, uttalade eller underförstådda som gäller utöver ordalydelsen härav, häri, inklusive de outtalade garantierna för säljbarhet och lämplighet för ett särskilt syfte. Under inga omständigheter skall VONROC hållas ansvarig för några oförutsedda

## 1. SIKKERHEDSANVISNINGER

Læs de medfølgende sikkerhedsadvarsler, de supplerende sikkerhedsadvarsler og instruktionerne. Såfremt sikkerhedsadvarsler og instruktioner ikke følges, kan dette medføre elektriske stød, brand og/eller alvorlige ulykker. Gem alle sikkerhedsadvarsler og instruktioner til fremtidig reference.

Følgende symboler anvendes i denne brugermanual eller på produktet:



Læs brugermanualen.



Angiver risiko for personskade, dødsfald eller beskadigelse af varmeren i tilfælde af manglende overholdelse af anvisningerne i denne vejledning.



Kassér ikke produktet i en forkert container.



Produktet overholder de gældende sikkerhedsstandarder i de europæiske direktiver.



Risiko for øjenskade på grund af laserstråler! Kig aldrig direkte ind i laseren, og vend ikke laserstrålen mod reflekterende overflader!

### GENERELLE SIKKERHEDSANVISNINGER

- For at betjene denne enhed sikkert skal brugeren have læst og forstået disse brugsanvisninger, inden du bruger enheden for første gang.
- Overhold alle sikkerhedsanvisninger! Ellers kan det forårsage skader på dig og andre.
- Behold alle brugsanvisninger og sikkerhedsanvisninger til fremtidig reference.
- Hvis du sælger eller videregiver enheden, skal du også overdrage disse betjeningsanvisninger.
- Enheden må kun bruges, når den fungerer korrekt. Hvis produktet eller en del af produktet er defekt, skal det tages ud af drift og bortskaffes korrekt.
- Brug aldrig enheden i et rum, hvor der er en fare for eksplosion, eller i nærheden eller brændbare væsker eller gasser.
- Hold børn væk fra enheden! Hold enheden væk fra børn og andre uautoriserede personer.

### Brug af batteribetjente enheder

- Brug kun batterier godkendt af producenten.
- Fare for brand! Oplad aldrig batterierne.
- Hold batterier væk fra metalgenstande, der kan forårsage kortslutning, når de ikke er i brug. Der er risiko for personskader og brand.

### SPECIFIKKE SIKKERHEDSANVISNINGER

- Enheden er beregnet til brug i et tørt miljø.
- Undgå påvirkning af fugt og snavs samt direkte solstråler.
- Betjen ikke enheden i nærheden af svejsmaskiner, induktionsvarmere og andre elektromagnetiske felter.
- Udsæt ikke enheden for høje temperaturer gennem længere tid.
- Symboler, der vises på din enhed, må ikke fjernes eller tildækkes. Skilte på enheden, der ikke længere kan læses, skal udskiftes med det samme.

### Håndtering af laserstråler

- Kig ikke direkte ind i strålen, selv ikke fra store afstande.
- Vend aldrig målestrålen direkte mod personer, andre levende væsener eller reflekterende overflader.
- Traditionelle laserbriller beskytter ikke mod farerne ved laserstråler. De fungerer kun som forbedret genkendelse af laserstrålen.

### LL501DC rød laser:



#### Advarsel - Laserstråle

Kig aldrig ind i lysstrålen  
Laser klasse 2  
ifølge EN60825-1: 2014;  
λ: 620-690 nm; P ≤ 1mW

### LL502DC grøn laser:



#### Advarsel - Laserstråle

Kig aldrig ind i lysstrålen  
Laser klasse 2  
ifølge EN60825-1: 2014;  
λ: 510-530 nm; P ≤ 1mW

## 2. MASKINOPLYSNINGER

### Tilsløst brug

Krydslinjelaseren er beregnet til bestemme og kontrollere vandrette og lodrette linjer på væggen og er derfor designet til at justere genstande såsom fliser eller billeder. Krydslinjelaseren er velegnet til indendørs brug.

### TEKNISKE SPECIFIKATIONER

Model nr.	LL501DC	LL502DC
Antal linjer	2	
Stråleretning	Lodret/vandret	
Laserlinjens farve	Rødt	Grønt
Laserens bølgelængde	620 ~ 690 nm	510 ~ 520 nm
Laserklasse	II (<mW) ifølge EN60825-1: 2014;	
Driftsrækkevidde*	10 m	18 m
Nøjagtighed	± 0,8 mm/m	
Selvnivellerende rækkevidde	± 5°	
Nivelleringsstid	4 s	
Beskyttelse	IP 20	
Trefodsforbindelse	1/4"	
Anbefalet trefod	LL801AA	
Driftstid, maks.	14 timer	4 timer
Driftstemperatur	-10 ~ 40 °C	
Opbevaringstemperatur	-20 ~ 70 °C	
Batteri	2x 1,5V type LR03 AAA (alkaline)	
Vægt (uden batterier)	190g	
Mål	65x55x70 mm	

\* Driftsområdet kan blive reduceret af ugunstige miljøforhold (f.eks. direkte sollys).

### BESKRIVELSE

Tallene i teksten henviser til diagrammerne på side 2-4.

### Fig. 4

1. Driftsknap / tænd / sluk
2. Låseknop / tænd / sluk
3. Laserstråleudgang
4. ¼ tommers trefodsforbindelse
5. Batteridæksel

6. Universal klemme
7. Spændekæber
8. Låseknop (til spændekæber)
9. Justeringsknop (til kugleled)

## 3. MONTERING

### Isætning/udskiftning af batterierne (fig. B)

1. Åbn batterirumdækslet (5).
2. Fjern om relevant de gamle batterier.
3. Isæt batterier med korrekt polaritet i henhold til anvisningerne.
4. Luk batterirumdækslet (5).

### Brug den universale klemme (fig. C)

1. Skru den universale klemme (6) ind i trefodsforbindelsen (4) på enheden.
2. Løsn låseknappen (8) og skub spændekæberne (7) fra hinanden, indtil de passer ind i bæreren.
3. Stram låseknappen (8), indtil kæberne på den universale klemme (6) sidder godt fast på bæreren, og beslaget ikke længere kan bevæges.
4. Løsn justeringsknappen (9).
5. Drej enheden til den ønskede position.
6. Genstram justeringsknappen (9).
7. For at åbne spændekæberne skal du løsne den universale klemme (6), indtil den nemt kan fjernes fra bæreren.

### Brug af trefoden (ikke inkluderet)

1. Placer enheden med 1/4" trefodsforbindelsen (4) på gevindet af trefoden eller en traditionel kameratrefod.
2. Juster trefoden nogenlunde, inden du tænder for enheden.

## 4. BETJENING



Kun midten af laserlinjen må bruges til markering. Laserlinjens bredde ændres afhængigt af afstanden.



Det anbefales at udføre en nøjagtighedskontrol inden første brug og periodiske eftersyn under fremtidig brug, især for præcise layout. Dette skal også foretages, når laseren muligvis er blevet tabt.



*Fare for personskade på grund af defekte komponenter! Produktet må kun tages i brug, hvis der ikke findes nogen fejl. Sørg for, at defekte dele udskiftes, inden produktet bruges igen.*



**ADVARSEL! Risiko for skade på grund af laserstråle!** *Vend aldrig laserstrålen direkte mod personer, andre levende væsener eller reflekterende overflader.*

#### Kontrollér enheden:

- Sørg for, at alle dele sidder godt fast på maskinen.
- Kontroller, om der er synlige fejl: ødelagte dele, revner osv.
- Kontroller nøjagtigheden, når du bruger laseren for første gang, eller når laserens nøjagtighed ikke er blevet kontrolleret i et stykke tid.
- Kontroller også nøjagtigheden, når laseren muligvis er blevet tabt.

#### Selvnivelleringsstilstand (fig. A, D1)

Laserne justeres automatisk ved hjælp af pendulet, så de lodrette og vandrette linjer vises fladt på væggen.

1. Placer laseren på en plan overflade, eller monter den på den universale klemme (7) eller trefoden (medfølger ikke), og fastgør den som beskrevet ovenfor.
2. Skub låsekontakten (2) til venstre for at tænde for enheden. Driftstilstandsknappen (1) lyser grønt. Hvis driftstilstandsknappen (1) lyser rødt, og laseren blinker, er det tilladte hældningsinterval på 5 grader overskredet. Placer enheden vandret, indtil driftstilstandsknappen lyser grønt.
3. Skub låseknappen til højre for at slukke. Laseren slukkes, og pendulet låses.



*Sluk for måleværktøjet, når du transporterer det. Pendulenheden låses, når værktøjet slukkes, da den ellers kan blive beskadiget.*

#### Manuel tilstand (fig. A, D2)

Laseren kan justeres manuelt til den ønskede vinkel, f.eks. for at kunne vise en diagonal linje.

1. Placer laseren på en plan overflade, eller monter den på den universale klemme (7) eller

trefoden (medfølger ikke), og fastgør den som beskrevet ovenfor.

2. Kontroller, at låseknappen (2) er indstillet til højre. Hvis ikke, skal du skubbe låseknappen (2) til højre.
3. Tryk på driftstilstandsknappen (1) for at tænde for laseren, og driftstilstandsknappen (1) lyser rødt, fordi pendulet er blokeret.
4. Nu kan du vippe laseren til den ønskede vinkel, så linjerne vises diagonalt på væggen som vist i fig. D2.
5. For at slukke skal du trykke på driftstilstandsknappen (1).

## 5. VEDLIGEHOLDELSE

#### Nøjagtighedskontrol



*Kun midten af laserlinjen må bruges til markering. Laserlinjens bredde ændres afhængigt af afstanden.*

#### Hurtig vandret linjekontrol (fig. A, E1)

1. Indstil enheden ca. 5 meter fra væggen.
2. Skub låsekontakten (2) til venstre for at tænde for enheden. Driftstilstandsknappen (1) lyser grønt. Hvis driftstilstandsknappen (1) lyser rødt, og laseren blinker, er det tilladte hældningsinterval på 5 grader overskredet. Placer enheden vandret.
3. Efter den selvnivellerer, skal du lave et vandret mærke på væggen, som vist i figur E1. Marker dette som punkt A.
4. Drej laseren 2,5 m til højre.
5. Tænd for laseren, og efter den selvnivellerer, skal du lave et vandret mærke på væggen. Marker dette som punkt B som vist i figur E1. Når der er over 2,5 mm mellem punkt A og B fra et lodret perspektiv, er en kalibreringskontrol nødvendig.

#### Hurtig lodret linjekontrol (fig. A, E2):

1. Indstil enheden ca. 5 meter fra væggen.
2. Hæng et 2,5 meter reb på væggen med en vægt for enden af rebet som vist i figur E2. Rebet skal kunne svinge frit.
3. Skub låsekontakten (2) til venstre for at tænde for enheden. Placer den lodrette linje ved siden af ledningen. Driftstilstandsknappen (1) lyser grønt. Hvis driftstilstandsknappen (1) lyser rødt, og laseren blinker, er det tilladte hældningsinterval på 5 grader overskredet. Placer enheden

vandret. Efter den selvnivellerer, må forskellen ikke overskride  $\pm 2,5$  mm. Når der er mere end 2,5 mm mellem dem, skal der foretages en kalibreringskontrol.

### Kalibreringskontrol (fig. A, F)

Den vandrette stråles nøjagtighed kan kontrolleres ved at følge disse trin:

1. Anbring enheden på en trefod midt i et rum, hvor væggene helst skal være ved 5 meters afstand.
2. Skub låsekontakten (2) til venstre for at tænde for enheden. Driftstilstandsknappen (1) lyser grønt. Hvis driftstilstandsknappen (1) lyser rødt, og laseren blinker, er det tilladte hældningsinterval på 5 grader overskredet. Placer enheden vandret.
3. Efter den selvnivellerer, skal du lave et horisontalt mærke på væggen hvor som helst langs den vandrette linje for at angive strålens højde. Marker dette som punkt A som vist i fig. F1.
4. Drej enheden 180°, og efter den selvnivellerer, skal du markere punkt B som vist i fig. F2.
5. Drej enheden 180°. Placer enheden så tæt som muligt på væggen i højden af punkt A som vist i fig. F3.
6. Drej enheden 180°, og efter den selvnivellerer, skal du markere punkt C. Dette mærke bør enten være direkte over, under eller oven på punkt B som vist i fig. F4. Forskellen mellem punkt B og C er tolerancen.

Når B og C befinder sig mere end 0,8 mm/m fra hinanden, skal der foretages en justering. Kontakt din autoriserede forhandler eller Vonroc serviceafdeling.

### Rengøring



**BEMÆRK! Risiko for produktskade!**  
Nedsænk aldrig enhed i vand under rengøring.

Brug ikke rengøringsmidler eller opløsningsmidler. Tør enheden med en tør klud.

### Opbevaring



**BEMÆRK! Risiko for produktskade!** Håndter altid måleinstrumenter forsigtigt.

- Opbevar produktet på et tørt område med god ventilation.
- Produktet må kun opbevares og transporteres i dets originale emballage.
- Undgå store temperaturudsving: Temperer altid produktet i et stykke tid, inden det bruges i meget kolde eller varme omgivelser.

### Ud af drift i længere perioder

- Når det ikke skal bruges gennem længere tid, skal batterierne tages ud.



**BEMÆRK! Risiko for produktskade!** Gamle batterier med lækage kan beskadige produktet. Kontrollér regelmæssigt batteriet.

### MILJØ



Defekte og/eller bortskaffede elektriske og elektroniske apparater skal afleveres på en passende genbrugsstation.

### Kun for EU-lande

Smid ikke el-værktøjer ud sammen med almindeligt affald. I henhold til de europæiske direktiver 2012/19/EU for elektrisk og elektronisk udstyr og er implementeret i henhold til nationale rettigheder, el-værktøj som ikke længere er anvendelig skal indsamles separat og genbruges på en miljøvenlig måde.

### GARANTIVILKÅR

VONROC produkter er udviklet efter de højeste kvalitetsstandarder og er garanteret fri for mangler i såvel materialer som udførelse i den lovpligtige periode, der starter fra datoen for det oprindelige køb. Skulle produktet udvikle nogen fejl i løbet af denne periode på grund af defekte materialer og/eller fabriktionsfejl, så kontakt VONROC direkte.

De følgende forhold er udelukket fra denne garanti:

- Reparationer og eller rettelser er blevet foretaget eller forsøgt foretaget på maskinen af uautoriserede servicecentre.
- Normal slitage.
- Værktøjet har været misligholdt, misbrugt eller vedligeholdt forkert.
- Ikke originale reservedele er blevet anvendt.



Dette udgør den eneste garanti fra virksomheden enten udtrykt eller underforstået. Der er ingen andre garantier udtrykt eller underforstået, som strækker sig ud over forsiden heraf, heri, herunder underforståede garantier for salgbarhed og egnethed til et bestemt formål. VONROC vil under ingen omstændigheder være ansvarlig for hændelige skader eller følgeskader. Forhandlernes afhjælpningsmidler vil være begrænsede til reparation eller udskiftning af fejlbehæftede enheder eller dele.

**Produktet og brugermanualen kan ændres. Specifikationer kan ændres uden forudgående varsel.**

## 1. INSTRUKCJĘ DOTYCZĄCĄ BEZPIECZEŃSTWA

Przeczytać dołączone ostrzeżenia dotyczące bezpieczeństwa, dodatkowe ostrzeżenia dotyczące bezpieczeństwa oraz instrukcję. Nieprzestrzeganie ostrzeżeń dotyczących bezpieczeństwa oraz instrukcji może prowadzić do porażenia prądem, pożaru i/lub poważnych obrażeń ciała. Zachować ostrzeżenia dotyczące bezpieczeństwa oraz instrukcje na przyszłość.

Następujące symbole są umieszczone w instrukcji obsługi lub na produkcie:



*Przeczytać instrukcję obsługi.*



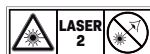
*Ryzyko obrażeń ciała.*



*Nie wyrzucać produktu do nieodpowiednich pojemników.*



*Produkt spełnia wymogi odpowiednich norm bezpieczeństwa podanych w dyrektywach UE.*



*Ryzyko uszkodzenia wzroku przez promień lasera! Nigdy nie patrzeć bezpośrednio w promień lasera i nie kierować promienia lasera na powierzchnie odbijające światło!*

### OGÓLNE INSTRUKCJE DOTYCZĄCĄ BEZPIECZEŃSTWA

- Aby bezpiecznie obsługiwać to urządzenie, użytkownik musi przeczytać i zrozumieć niniejszą instrukcję przed pierwszym użyciem urządzenia.
- Przestrzegać wszystkich instrukcji dotyczących bezpieczeństwa! W przeciwnym razie może dojść do obrażeń ciała użytkownika i innych osób.
- Zachować instrukcję w całości, aby móc skorzystać z instrukcji dotyczących bezpieczeństwa w przyszłości.
- W razie sprzedaży lub przekazania urządzenia innej osobie przekazać również niniejszą instrukcję obsługi.
- Urządzenia wolno używać tylko wtedy, gdy działa prawidłowo. Jeśli produkt lub jego część jest wadliwa, zaprzestać użytkowania i odpowiednio zutylizować produkt/część.
- Nigdy nie używać urządzenia w pomieszcze-

niu o atmosferze wybuchowej ani w pobliżu łatwopalnych cieczy lub gazów.

- Nie pozwalać dzieciom zbliżyć się do urządzenia! Przechowywać urządzenie z dala od dzieci i innych osób nieuprawnionych do jego obsługi.
- Nie używać do celów medycznych.
- Nie otwierać obudowy. Otwierać wyłącznie komorę baterii.

#### Korzystanie z urządzeń zasilanych z baterii

- Używać jedynie baterii zatwierdzonych przez producenta.
- Ryzyko pożaru! Nigdy nie ładować baterii.
- Nieużywane baterie przechowywać z dala od metalowych przedmiotów, które mogą spowodować zwarcie. Istnieje ryzyko obrażeń ciała i pożaru.
- Błędne użytkowanie baterii może powodować wyciek elektrolitu z baterii. Elektrolit wpływający z baterii może powodować podrażnienia i poparzenie skóry. Unikać styczności z tym płynem! W razie przypadkowej styczności, dokładnie przepłukać miejsce styczności wodą. Niezwłocznie uzyskać pomoc lekarską w razie styczności z okiem.

#### INSTRUKCJE DOTYCZĄCE BEZPIECZEŃSTWA

- To urządzenie jest przeznaczone do użytku w suchym otoczeniu.
- Unikać wpływu wilgoci oraz kurzu i bezpośredniego nasłonecznienia.
- Nie używać tego urządzenia w pobliżu spawarek, nagrzewnic indukcyjnych i innych urządzeń generujących pole elektromagnetyczne.
- Nie narażać urządzenia na długotrwały wpływ wysokiej temperatury.
- Symboli umieszczonych na urządzeniu nie wolno usuwać ani zasłaniać. Nieczytelne symbole na urządzeniu należy niezwłocznie wymienić.

#### Obchodzenie się z promieniami lasera

- Nie patrzeć bezpośrednio w promień, nawet z dużej odległości.
- Nigdy nie kierować promienia pomiarowego na ludzi, inne istoty żywe lub powierzchnie odbijające światło.
- Konwencjonalne okulary do pracy z laserami nie chronią przed zagrożeniami związanymi z promieniami lasera. Służą one jedynie do zwiększenia widoczności promienia lasera.

#### LL501DC laser czerwony:



##### Ostrzeżenie - promień lasera

Nigdy nie patrzeć w promień  
Laser Klasy 2  
Według EN60825-1: 2014;  
λ: 620-690 nm; P<= 1mW

#### LL502DC laser czerwony:



##### Ostrzeżenie - promień lasera

Nigdy nie patrzeć w promień  
Laser Klasy 2  
Według EN60825-1: 2014;  
λ: 510-530 nm; P<= 1mW

## 2. INFORMACJE O PRODUKCIE

#### Przeznaczenie

Krzyżowy laser liniowy jest przeznaczony do wyznaczania i sprawdzania linii poziomych i pionowych na ścianach, co pozwala na odpowiednie umieszczanie elementów, takich jak płytki ceramiczne lub zdjęcia. Krzyżowy laser liniowy jest przeznaczony do użytku wewnątrz pomieszczeń.

#### DANE TECHNICZNE

Nr modelu	LL501DC	LL502DC
Liczba linii	2	
Kierunek wiązek	Pionowy/poziomy	
Kolor linii lasera	Czerwony	Zielony
Długość fali lasera	620 ~ 690 nm	510 ~ 530 nm
Klasa lasera	II (<mW) zgodnie z EN60825-1: 2014;	
Zasięg roboczy*	10m	18m
Dokładność	± 0.8 mm/m	
Zakres samopoziomowania	± 5°	
Czas poziomowania	4 s	
Stopień ochrony	IP 20	
Złącze statywu	1/4"	
Zalecany statyw	LL801AA	
Czas pracy, maks.	14 godzin	4 godziny
Temperatura robocza	-10 ~ 40 °C	
Temperatura przechowywania	-20 ~ 70 °C	
Baterie	2x 1,5 V typu LR03 AAA (alkaliczne)	
Ciężar (bez baterii)	190 g	
Wymiary	65x55x70 mm	

\* Zasięg roboczy może ulec ograniczeniu z powodu niekorzystnych warunków otoczenia (np. bezpośredniego nasłonecznienia).

## OPIS

Liczyby w tekście odnoszą się do rysunków na stronach 2-4.

### Rys. A

1. Przełącznik trybów/włłącznik
2. Przełącznik blokady
3. Wylot wiązki laserowej
4. Złącze statywu ¼ cala
5. Pokrywa komory baterii
6. Zacisk uniwersalny
7. Szczęki zacisku
8. Pokrętko blokujące (szczęk zacisku)
9. Pokrętko regulacji (do przegubów kulowych)

## 3. MONTAŻ

### Wkładanie/wymiana baterii (Rys. B)

1. Otworzyć pokrywę komory baterii (5).
2. Jeśli występują, wyjąć stare baterie.
3. Włożyć baterie, prawidłowo ustawiając bieguny zgodnie z oznaczeniami.
4. Zamknąć pokrywę komory baterii (5).

### Korzystanie z zacisku uniwersalnego (Rys. C)

1. Wkręcić zacisk uniwersalny (6) w złącze statywu (4) w urządzeniu.
2. Poluzować pokrętko blokujące (8) i rozsuwać szczęki zacisku (7), aż do ich dopasowania do elementu nośnego.
3. Dokręcać pokrętko blokujące (8), aż szczęki zacisku uniwersalnego (6) zostaną mocno zaciśnięte na elemencie nośnym i przesunięcie zamocowanego urządzenia będzie niemożliwe.
4. Poluzować pokrętko regulacyjne (9).
5. Przekręcić urządzenie w żądane położenie.
6. Ponownie dokręcić pokrętko regulacyjne (9).
7. Aby otworzyć szczęki zacisku, luzować zacisk uniwersalny (6), aż urządzenie będzie można łatwo zdjąć z elementu nośnego.

### Korzystanie ze statywu (nie dołączony)

1. Umieścić złącze statywu 1/4" urządzenia (4) na gwincie specjalnego statywu lub konwencjonalnego statywu do aparatów.
2. Wstępnie wypoziomować statyw przed włączeniem urządzenia.

## 4. OBSŁUGA



Do wyznaczania stosować wyłącznie środek linii lasera. Szerokość linii lasera zmienia się w zależności od odległości.



Zaleca się przeprowadzenie kontroli dokładności przed pierwszym użyciem i przeprowadzanie okresowej kontroli podczas użytkowania, szczególnie w przypadku projektów wymagających wysokiej dokładności wyznaczania. Przeprowadzać kontrolę również po upuszczeniu lasera.



**Ryzyko obrażeń ciała spowodowanych przez wadliwe komponenty!** Produkt można używać tylko wtedy, gdy jest całkowicie sprawny. Dopilnować, aby wszelkie wadliwe części zostały wymienione przed ponownym użyciem produktu.



**OSTRZEŻENIE! Ryzyko uszkodzenia ciała przez promień lasera!** Nigdy nie kierować promienia lasera na ludzi, inne istoty żywe lub powierzchnie odbijające światło.

### Sprawdzić urządzenie:

- Sprawdzić, czy wszystkie części są dobrze dopasowane i zamocowane.
- Sprawdzić, czy nie widać żadnych widocznych uszkodzeń: pękniętych części, pęknięć itp.
- Sprawdzić dokładność w przypadku używania lasera pierwszy raz, lub jeśli od jakiegoś czasu nie przeprowadzono kontroli dokładności.
- Przeprowadzać kontrolę dokładności również po upuszczeniu lasera.

### Tryb samopoziomowania (Rys. A, D1)

Lasery są poziomowane automatycznie z użyciem wahadła, dzięki czemu linie pionowe i poziome są wyświetlane prawidłowo na ścianach.

1. Umieścić laser na płaskiej powierzchni lub przy mocować go do zacisku uniwersalnego (7) lub statywu (nie dołączony) i zamocować zgodnie z opisem powyżej.
2. Przesunąć przełącznik blokady (2) w lewo, aby włączyć urządzenie. Przycisk trybu pracy (1) zostanie podświetlony na zielono. Jeśli przycisk trybu pracy (1) świeci na czerwono i laser miga,

oznacza to, że dopuszczalny zakres odchylenia 5 stopni został przekroczony. Poziomować urządzenie, aż przycisk trybu pracy zacznie świecić na zielono.

3. Aby wyłączyć urządzenie, przesunąć przełącznik blokady w prawo. Laser wyłączy się i wahadło zostanie zablokowane.



*Wyłączyć przyrząd pomiarowy na czas transportu. Wahadło jest zablokowane, gdy przyrząd jest wyłączony, co chroni je przed uszkodzeniami.*

### Tryb ręczny (Rys. A, D2)

Laser można ręcznie ustawić na żądany kąt, co pozwala na przykład na wyświetlanie linii na ukos.

1. Umieścić laser na płaskiej powierzchni lub przymocować go do zacisku uniwersalnego (7) lub statywu (nie dołączony) i zamocować zgodnie z opisem powyżej.
2. Sprawdzić, czy przełącznik blokady (2) jest przesunięty w prawo. Jeśli nie jest, przesunąć przełącznik blokady (2) w prawo.
3. Wcisnąć przycisk trybu pracy (1), aby włączyć laser. Przycisk trybu pracy (1) zaświeci na czerwono, wskazując na zablokowanie wahadła.
4. Teraz można przechylić laser na żądany kąt, aby linie były wyświetlane ukośnie na ścianie zgodnie z rys. D2.
5. Aby wyłączyć, nacisnąć przycisk trybu pracy (1).

## 5. KONSERWACJA

### Kontrola dokładności



*Do wyznaczania stosować wyłącznie środek linii lasera. Szerokość linii lasera zmienia się w zależności od odległości.*

### Szybka kontrola linii poziomej (Rys. A, E1)

1. Ustawić urządzenie około 5 metrów od ściany.
2. Przesunąć przełącznik blokady (2) w lewo, aby włączyć urządzenie. Przycisk trybu pracy (1) zostanie podświetlony na zielono. Jeśli przycisk trybu pracy (1) świeci na czerwono i laser miga, oznacza to, że dopuszczalny zakres odchylenia 5 stopni został przekroczony. Ustawić urządzenie poziomo.
3. Po samopoziomowaniu się urządzenia, wykonać poziome oznaczenie na ścianie zgodnie z rysunkiem E1. Oznaczyć to miejsce jako punkt A.

4. Obrócić laser 2,5 m w prawo.
5. Włączyć laser i, po samopoziomowaniu, wykonać poziome oznaczenie na ścianie. Oznaczyć to miejsce jako punkt B zgodnie z rysunkiem E1. Jeśli punkty A i B znajdują się dalej niż 2,5 mm od siebie w pionie, konieczne jest przeprowadzenie kontroli kalibracji.

### Szybka kontrola linii pionowej (Rys. A, E2):

1. Ustawić urządzenie około 5 metrów od ściany.
2. Zawiesić linkę o długości 2,5 m na ścianie i obciążyć koniec linki zgodnie z rysunkiem E2. Linka musi być w stanie swobodnie się bujać.
3. Przesunąć przełącznik blokady (2) w lewo, aby włączyć urządzenie. Ustawić linię pionową wzdłuż linki. Przycisk trybu pracy (1) zostanie podświetlony na zielono. Jeśli przycisk trybu pracy (1) świeci na czerwono i laser miga, oznacza to, że dopuszczalny zakres odchylenia 5 stopni został przekroczony. Ustawić urządzenie poziomo. Po samopoziomowaniu różnica nie może przekraczać  $\pm 2,5$  mm. Jeśli różnica przekracza 2,5 mm, konieczna jest kontrola kalibracji.

### Kontrola kalibracji (Rys. A, F)

Dokładność wyświetlania wiązki poziomej można sprawdzić za pomocą poniższej procedury:

1. Ustawić urządzenie na statywie, pośrodku pomieszczenia ze ścianami znajdującymi się najlepiej 5 m od urządzenia.
2. Przesunąć przełącznik blokady (2) w lewo, aby włączyć urządzenie. Przycisk trybu pracy (1) zostanie podświetlony na zielono. Jeśli przycisk trybu pracy (1) świeci na czerwono i laser miga, oznacza to, że dopuszczalny zakres odchylenia 5 stopni został przekroczony. Ustawić urządzenie poziomo.
3. Po samopoziomowaniu wykonać oznaczenie poziome na ścianie w dowolnym miejscu wzdłuż linii poziomej, aby wyznaczyć wysokość wyświetlania wiązki. Oznaczyć to miejsce jako punkt A zgodnie z rysunkiem F1.
4. Obrócić urządzenie o 180°, a następnie, po samopoziomowaniu, oznaczyć punkt B zgodnie z rys. F2.
5. Obrócić urządzenie o 180°. Ustawić urządzenie jak najbliżej ściany na wysokości punktu A zgodnie z rys. F3.

6. Obrócić urządzenie o 180°, a następnie, po samopoziomowaniu, oznaczyć punkt C. To oznaczenie powinno znajdować się bezpośrednio pod, nad punktem B lub na nim zgodnie z rys. F4. Różnica między punktami B i C to tolerancja.

Jeśli punkty B i C znajdują się dalej niż 0,8 mm/m od siebie, konieczne jest przeprowadzenie regulacji. Skontaktuj się z autoryzowanym sprzedawcą lub Działem Serwisu Vonroc.

### Czyszczenie



#### **UWAGA! Ryzyko uszkodzenia produktu!**

*Nigdy nie zanurzać urządzenia w wodzie podczas czyszczenia.*

Nie używać środków czyszczących ani rozpuszczalników. Wytrzeć urządzenie suchą ściereczką.

### Przechowywanie



#### **UWAGA! Ryzyko uszkodzenia produktu!**

*Zawsze delikatnie obchodzić się z przyrządami pomiarowymi.*

- Przechowywać produkt w suchym i dobrze wentylowanym miejscu.
- Przechowywać i transportować produkt w oryginalnym opakowaniu.
- Chronić produkt przed dużymi wahaniami temperatury: Przed użyciem produkty w skrajnie niskiej lub skrajnie wysokiej temperaturze przebieść produkt na chwilę do tej temperatury.

### Wyłączenie z eksploatacji na długi okres

- Kiedy urządzenie nie jest używane przez długi okres, wyjąć z niego baterię.



#### **UWAGA! Ryzyko uszkodzenia produktu!**

*Stare i przeciekające baterie mogą spowodować uszkodzenie produktu. Regularnie sprawdzać baterię.*

### SRODOWISKO



*Uszkodzone i/lub niepotrzebne urządzenia elektryczne lub elektroniczne podlegają zbiórce w odpowiednich punktach recyklingu.*

### Tylko kraje WE

Nie wyrzucać elektronarzędzi wraz z odpadami z gospodarstw domowych. Zgodnie z dyrektywą 2012/19/WE dotyczącą zużytych urządzeń elektrycznych i elektronicznych oraz jej wdrożeniem do prawodawstwa krajowego, elektronarzędzia, które już nie nadają się do użytku, podlegają oddzielnej zbiórce oraz utylizacji w sposób przyjazny dla środowiska.

### GWARANCJA

Produkty VONROC są wytwarzane zgodnie z najwyższymi standardami jakości i producent udziela gwarancji na wady materiałowe i wady wykonania na okres wymagany prawem, licząc od dnia zakupu. Jeśli wystąpi usterka produktu w tym okresie spowodowana wadą materiałową i/lub wadą wykonania, proszę bezpośrednio skontaktować się ze sprzedawcą VONROC.

Następujące okoliczności powodują unieważnienie gwarancji:

- Przeprowadzono naprawy lub modyfikacje narzędzia w serwisie innym lub autoryzowany lub podjęto ich próbę;
- Normalne zużycie nie jest objęte gwarancją;
- Narzędzie było używane niezgodnie z przeznaczeniem, źle z nim się obchodzono lub było nieprawidłowo konserwowane;
- Użyto części zamiennych innych niż oryginalne.

Niniejsza gwarancja to wyłączna gwarancja producenta i nie obowiązują żadne inne wyrażone ani dorozumiane gwarancje. Nie obowiązują żadne inne wyrażone ani dorozumiane gwarancje o zakresie przekraczającym niniejszą gwarancję, co obejmuje dorozumiane gwarancje przydatności do sprzedaży i przydatności do określonego celu. W żadnym przypadku firma VONROC nie ponosi odpowiedzialności za straty przypadkowe lub wynikowe. Zadośćuczynienie sprzedawcy jest ograniczone do naprawy lub wymiany niezgodnych urządzeń lub części.

**Produkt i instrukcja obsługi podlegają zmianom. Dane techniczne podlegają zmianom bez uprzedzenia.**

## 1. INSTRUCȚIUNI DE SIGURANȚĂ

Citiți avertizările de siguranță, avertizările de siguranță suplimentare și instrucțiunile. Nerespectarea avertizărilor de siguranță poate cauza producerea de electrocutări, incendii și/sau răni grave. Păstrați avertizările de siguranță și instrucțiunile pentru referințe viitoare.

În manualul de utilizare sau pe produs se utilizează următoarele simboluri:



*Citiți manualul de utilizare.*



*Indică riscul de rănire personală, pierderea vieții sau deteriorarea încălzitorului în cazul în care nu se respectă instrucțiunile din acest manual.*



*Nu scoateți din uz produsul în containere neadecvate.*



*Produsul este în conformitate cu standardele de siguranță aplicabile din directivele europene.*



*Pericol de vătămare a ochilor din cauza razelor laser! Nu priviți niciodată direct în fasciculul laser și nu direcționați fasciculul laser către suprafețe reflectante!*

### AVERTISMENTE GENERALE DE SIGURANȚĂ

- Pentru a utiliza în siguranță acest dispozitiv, utilizatorul trebuie să citească și să înțeleagă aceste instrucțiuni de utilizare înainte de utilizarea pentru prima dată a aparat.
- Respectați toate instrucțiunile privind siguranța! Nerespectarea lor poate duce la vătămarea dvs. și a celorlalți.
- Păstrați toate instrucțiunile de utilizare și pe cele privind siguranța pentru consultare viitoare.
- Dacă vindeți sau dați altcuiva dispozitivul, acesta trebuie să fie însoțit de aceste instrucțiuni de utilizare.
- Dispozitivul trebuie folosit doar dacă funcționează corespunzător. Dacă produsul sau o componentă a acestuia este defect(ă), nu îl mai folosiți și eliminați-l corect.

- Nu utilizați niciodată dispozitivul într-o încăpere în care există un pericol de explozie sau în vecinătatea lichidelor sau gazelor inflamabile.
- Nu lăsați copiii în apropierea dispozitivului! Nu lăsați dispozitivul la îndemâna copiilor și a altor persoane neautorizate.

### Utilizarea dispozitivelor cu baterii

- Utilizați doar baterii aprobate de producător.
- Pericol de incendiu! Nu încărcați niciodată bateriile.
- Când nu le utilizați, țineți bateriile la distanță de obiecte metalice care ar putea cauza scurtcircuitarea acestora. Există un risc de rănire și incendii.
- Lichidul din baterii se poate scurge când acestea nu sunt utilizate corect. Lichidul din baterii poate cauza iritații și arsuri cutanate. Evitați contactul! În caz de contact accidental, clătiți bine zona cu apă. În caz de contact cu ochii, solicitați imediat ajutorul unui medic.

### AVERTISMENTE SPECIFICE DE SIGURANȚĂ

- Aparatul este destinat utilizării în mediu uscat.
- Evitați influența umidității și a murdăriei, precum și a razelor directe ale soarelui.
- Nu folosiți aparatul în vecinătatea aparatelor de sudură, a încălzitoarelor cu inducție și a altor câmpuri electromagnetice.
- Nu expuneți dispozitivul la temperaturi ridicate pentru o perioadă lungă de timp.
- Simbolurile de pe aparat nu trebuie să fie eliminate sau acoperite. Semnele de pe aparat care nu mai sunt lizibile trebuie înlocuite imediat.

### Manipularea fasciculelor laser

- Nu priviți direct în fascicul, nici măcar de la distanțe mari.
- Nu orientați niciodată fasciculul de măsurare către oameni, alte ființe vii sau suprafețe reflectante.
- Ochelarii convenționali pentru laser nu protejează împotriva pericolelor fasciculelor laser. Acestea servesc doar pentru recunoașterea îmbunătățită a razei laser.

### Laser roșu LL501DC:



#### Avertisment - Fascicul laser

Nu priviți în fasciculul de lumină  
Laser Clasa 2  
conform cu EN60825-1: 2014;  
λ: 620-690 nm; P< 1mW

**Laser verde LL502DC:**



**2. INFORMAȚII CU PRIVIRE LA MAȘINA**

**Domeniul de utilizare**

Laserul cu linii transversale este destinat determinării și verificării liniilor orizontale și verticale de pe perete și, prin urmare, este conceput pentru alinierea obiectelor, cum ar fi plăci sau imagini. Laserul cu linie transversală este adecvat pentru utilizarea în interior.

**SPECIFICAȚII TEHNICE**

Nr. model	LL501DC	LL502DC
Numărul de linii	2	
Direcția fasciculelor	Vertical/nivel	
Culoarea liniei laser	Roșu	Verde
Lungime de undă laser	620 ~ 690 nm	510 ~ 530 nm
Clasa laserului	II (<mW) conf. cu EN60825-1: 2014;	
Domeniu de lucru*	10 m	18 m
Precizie	± 0,8 mm/m	
Aliniament autoreglabil	± 5°	
Timp de nivelare	4 s	
Protecție	IP 20	
Conexiune trepid	1/4"	
Trepid recomandat	LL801AA	
Timp de funcționare, max.	14 ore	4 ore
Temperatura de funcționare	-10 ~ 40 °C	
Temperatura de depozitare	-20 ~ 70 °C	
Acumulator	2x 1,5V tip LR03 AAA (alcalin)	
Greutate (fără baterii)	190 g	
Dimensiuni	65x55x70 mm	

\* Domeniul de lucru poate fi redus de condițiile de mediu nefavorabile (de exemplu, lumina directă a soarelui).

**DESCRIERE**

Numerele din text se referă la diagramele de la paginile 2-4.

**Fig. A**

1. Buton mod de utilizare / pornit / oprit
2. Comutator de blocare / pornire / oprire
3. Ieșire fascicul laser
4. Conexiune trepid ¼ inch
5. Capac pentru baterie
6. Clemă universală
7. Fălci de prindere
8. Buton de blocare (pentru fălci de prindere)
9. Buton de reglare (pentru articulații sferice)

**3. ASAMBLAREA**

**Introducerea / schimbarea bateriilor (Fig. B)**

1. Deschideți capacul compartimentului pentru baterii (5).
2. Dacă este cazul, scoateți bateriile vechi.
3. Introduceți bateriile cu polaritatea corectă potrivit indicațiilor.
4. Închideți capacul compartimentului pentru baterii (5).

**Utilizarea clemei universale (Fig. C)**

1. Înfuletați clema universală (6) pe conexiunea de trepid (4) de la dispozitiv.
2. Slăbiți butonul de blocare (8) și împingeți fălcile de prindere (7) până când se prind pe suport.
3. Strângeți butonul de blocare (8) până când fălcile clemei universale (6) sunt prinse ferm de suport și suportul nu mai poate fi mișcat.
4. Slăbiți butonul de reglare (9).
5. Pivotați aparatul în poziția dorită.
6. Strângeți din nou elementul de reglare a înclinației (9).
7. Pentru a slăbi fălcile de prindere, slăbiți clema universală (6) până când poate fi îndepărtată fără dificultate din suport.

**Utilizarea trepidului (nu este inclus)**

1. Așezați dispozitivul cu conexiunea trepidului de 1/4" (4) pe filetul de trepid sau un trepid convențional pentru cameră.
2. Aliniați brut trepidul înainte de a porni aparatul.

## 4. OPERAREA



*Doar centrul liniei laser trebuie utilizat pentru marcare. Lățimea liniei laser se modifică în funcție de distanță.*



*Este recomandat să efectuați o verificare a preciziei înainte de prima utilizare și să efectuați verificări periodice în timpul utilizărilor viitoare, în special pentru aspectele precise. De asemenea, atunci când laserul ar fi putut fi bruscat.*



*Pericol de rănire din cauza componentelor defecte! Produsul trebuie pus în funcțiune numai dacă nu se constată defecte. Asigurați-vă că toate piesele defecte sunt înlocuite înainte ca produsul să fie utilizat din nou.*



**AVERTISMENT! Pericol de vătămare din cauza razelor laser!** Nu direcționați niciodată fasciculul laser către oameni, alte ființe vii sau suprafețe reflectante.

### Verificați aparatul:

- Asigurați-vă că toate piesele sunt montate ferm pe aparat.
- Verificați dacă există defecte vizibile: piese rupte, fisuri etc.
- Verificați precizia la prima utilizare a laserului sau când laserul nu a fost verificat pentru o acuratețe de ceva timp.
- De asemenea, atunci când laserul ar fi putut fi bruscat.

### Mod de autonivelare (Fig. A, D1)

Laserele sunt aliniate automat de pendul, astfel încât liniile verticale și cele orizontale să fie afișate la nivel pe perete.

1. Așezați laserul pe o suprafață plană sau montați-l pe clema universală (7) sau trepied (nu este inclus) și fixați-l așa cum este descris anterior.
2. Glišați comutatorul de blocare (2) la stânga pentru a porni dispozitivul. Butonul modului de operare (1) este aprins în verde. Dacă butonul modului de operare (1) este aprins în roșu și laserul clipește, domeniul de înclinare admisibil de 5 grade este depășit. Poziționați dispozitivul

orizontal până când butonul modului de funcționare se aprinde în verde.

3. Pentru a opri, glišați comutatorul de blocare spre dreapta. Laserul se oprește și pendulul va fi blocat.



*Opriti instrumentul de măsurare când îl transportați. Unitatea pendul este blocată când aparatul este oprit, deoarece altfel poate fi deteriorată.*

### Mod manual (Fig. A, D2)

Laserul poate fi aliniat manual la unghiul dorit, pentru a permite de exemplu să fie afișată o linie pe diagonală.

1. Așezați laserul pe o suprafață plană sau montați-l pe clema universală (7) sau trepied (nu este inclus) și fixați-l așa cum este descris anterior.
2. Verificați dacă comutatorul de blocare (2) este setat la dreapta. În caz contrar, glišați comutatorul de blocare (2) spre dreapta.
3. Apăsăți butonul modului de operare (1) pentru a porni laserul și butonul modului de operare (1) se aprinde în roșu, deoarece pendulul este blocat.
4. Acum puteți înclina laserul la unghiul dorit, astfel încât liniile să fie afișate în diagonală pe perete, așa cum se arată în Fig. D2.
5. Pentru a opri, apăsați butonul modului de operare (1).

## 5. ÎNTREȚINEREA

### Verificarea preciziei



*Doar centrul liniei laser trebuie utilizat pentru marcare. Lățimea liniei laser se modifică în funcție de distanță.*

### Verificarea rapidă a liniei orizontale (Fig. A, E1)

1. Puneți aparatul la aproximativ 5 metri de perete.
2. Glišați comutatorul de blocare (2) la stânga pentru a porni dispozitivul. Butonul modului de operare (1) este aprins în verde. Dacă butonul modului de operare (1) este aprins în roșu și laserul clipește, domeniul de înclinare admisibil de 5 grade este depășit. Poziționați dispozitivul orizontal.
3. După ce se auto-nivelează, faceți un semn orizontal pe perete așa cum se arată în figura E1. Marcați ca punct A.



4. Rotiți laserul la 2,5 m spre dreapta.
5. Porniți laserul și, după ce se auto-nivelează, marcați orizontal pe perete. Marcați ca punct B așa cum se arată în figura E1. Când punctele A și B sunt la mai mult de 2,5 mm distanță de o perspectivă verticală, este necesară o verificare a calibrării.

#### Verificarea rapidă a liniei verticale (Fig. A, E2):

1. Puneți aparatul la aproximativ 5 metri de perete.
2. Agățați un fir de 2,5 metri pe perete cu o greutate la capătul său, așa cum se arată în figura E2. Firul trebuie să poată să se balanseze liber.
3. Glisați comutatorul de blocare (2) la stânga pentru a porni dispozitivul. Poziționați linia verticală lângă fir. Butonul modului de operare (1) este aprins în verde. Dacă butonul modului de operare (1) este aprins în roșu și laserul clipește, domeniul de înclinare admisibil de 5 grade este depășit. Poziționați dispozitivul orizontal. După autonivelare, diferența nu trebuie să depășească  $\pm 2,5$  mm. Când este la o distanță mai mare de 2,5 mm, este necesară o verificare a calibrării.

#### Verificarea calibrării (Fig. A, F)

Precizia fasciculului orizontal poate fi verificată urmând acești pași:

1. Montați aparatul pe un trepied, centrat într-o cameră cu pereți ideal la 5 metri distanță.
2. Glisați comutatorul de blocare (2) la stânga pentru a porni dispozitivul. Butonul modului de operare (1) este aprins în verde. Dacă butonul modului de operare (1) este aprins în roșu și laserul clipește, domeniul de înclinare admisibil de 5 grade este depășit. Poziționați dispozitivul orizontal.
3. După ce se auto-nivelează, faceți un semn orizontal pe perete oriunde de-a lungul liniei orizontale pentru a indica înălțimea fasciculului. Marcați ca punct A așa cum se arată în Fig. F1.
4. Rotiți dispozitivul cu 180° și după ce se auto-nivelează, marcați punctul B așa cum se arată în Fig. F2.
5. Rotiți dispozitivul cu 180°. Poziționați dispozitivul cât mai aproape de perete la înălțimea punctului A, așa cum se arată în Fig. F3.
6. Rotiți dispozitivul cu 180° și după ce se auto-nivelează, marcați punctul C. Acest semn trebuie să fie deasupra, dedesubt sau peste punctul B, așa cum se arată în Fig. F4. Diferența dintre punctele B și C este toleranța.

Când B și C sunt la o distanță mai mare de 0,8 mm/m, este necesară o ajustare. Contactați distribuitorul autorizat sau departamentul de service Vonroc.

#### Curățare



**OBSERVAȚIE! Pericol de defectare a produsului!** Nu scufundați niciodată dispozitivul în apă în timpul curățării.

Nu folosiți agenți de curățare sau solvenți. Ștergeți dispozitivul folosind o cârpă uscată.

#### Depozitarea



**OBSERVAȚIE! Pericol de defectare a produsului!** Manipulați întotdeauna instrumentele de măsurare cu atenție.

- Depozitați produsul într-un spațiu uscat, bine ventilat.
- Depozitați și transportați produsul în ambalajul original.
- Prevenirea fluctuațiilor mari de temperatură: Temperatura întotdeauna produsul pentru o perioadă de timp înainte de utilizarea în medii extrem de reci sau calde.

#### Scoaterea din operație pentru o perioadă lungă de timp

- Când nu utilizați produsul o perioadă lungă de timp, scoateți bateriile.



**OBSERVAȚIE! Pericol de defectare a produsului!** Bateriile vechi, care curg pot deteriora produsul. Verificați cu regularitate bateriile.

#### MEDIU



Aparatele electrice sau electronice deteriorate și/sau defecte trebuie colectate în locurile de reciclare corespunzătoare.

#### Numai pentru țările din CE

Nu aruncați echipamentele acționate electric împreună cu gunoiul menajer. Conform Indicației europene 2012/19/EU pentru echipamente electrice și electronice uzate și a implementării sale la nivel național, echipamentele acționate electric scoase din uz trebuie colectate separat și evacuate într-o manieră ecologică.

## GARANȚIE

Produsele VONROC sunt realizate la cele mai înalte standarde de calitate și sunt garantate în privința materialelor și a manoperei pentru întreaga perioadă de utilizare în garanție, începând cu data achiziției. În cazul în care produsul se defectează în timpul perioadei de utilizare, contactați direct VONROC.

Următoarele circumstanțe sunt excluse de la această garanție:

- Reparațiile sau modificările care realizate sau care s-au încercat a fi efectuate de centre de service neautorizate.
- Uzura în condiții normale.
- Unealta care a fost abuzată, utilizată într-un mod neglijent sau întreținută în mod inadecvat.
- Folosirea unor piese de schimb neoriginale.

Aceasta acoperă garanția companiei, explicită sau implicită. Nu există alte garanții explicite sau implicite care să se extindă dincolo de cele indicate aici, incluzând garanțiile, vandabilitatea sau adecvarea pentru un anumit scop. În nicio situație, VONROC nu este responsabil pentru daunele incidentale sau consecvențiale. Reparațiile efectuate de reprezentant trebuie să fie limitate la reparațiile sau la înlocuirea unităților sau a pieselor neconforme.

**Produsul și manualul de utilizare pot suferi modificări. Specificațiile se pot modifica fără notificare prealabilă.**

## 1. INSTRUȚIÕES DE SEGURANÇA

Leia os avisos de segurança fornecidos, os avisos de segurança adicionais e as instruções. O não cumprimento dos avisos de segurança e das instruções pode resultar em choque eléctrico, incêndio e/ou ferimentos graves. Guarde os avisos de segurança e as instruções para referência futura.

Os seguintes símbolos são utilizados no manual do utilizador ou no produto:



*Leia o manual do utilizador.*



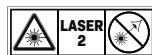
*Indica o risco de ferimentos, morte ou danos na ferramenta se as instruções indicadas neste manual não forem seguidas.*



*Não elimine o produto em recipientes não adequados.*



*O produto está em conformidade com as normas de segurança aplicáveis nas directivas europeias.*



*Risco de ferimentos oculares causados pelos feixes laser! Nunca olhe directamente para o laser e não aponte o feixe laser na direcção de superfícies reflectoras!*

### AVISOS GERAIS DE SEGURANÇA

- Para utilizar este dispositivo em segurança, o utilizador deve ler e compreender estas instruções de utilização antes de utilizar o dispositivo pela primeira vez.
- Respeite todas as instruções de segurança! O não cumprimento das instruções pode causar ferimentos no utilizador e noutras pessoas.
- Guarde todas as instruções de utilização e as instruções de segurança para referência futura.
- Se vender ou oferecer o dispositivo, deve também entregar estas instruções de utilização.
- O dispositivo só deve ser utilizado se funcionar correctamente. Se o produto ou parte do produto estiver defeituoso, deve parar de utilizá-lo e eliminá-lo de maneira correcta.
- Nunca utilize o dispositivo numa sala onde haja risco de explosão ou perto de líquidos ou gases inflamáveis.

- Mantenha as crianças afastadas do dispositivo! Mantenha o dispositivo afastado de crianças e outras pessoas não autorizadas.

#### Utilizar dispositivos alimentados a pilhas

- Utilize apenas pilhas aprovadas pelo fabricante.
- Risco de incêndio! Nunca carregue as pilhas.
- Mantenha as pilhas afastadas de objectos metálicos que possam causar curto-circuito quando o dispositivo não estiver a ser utilizado. Há o risco de ferimentos e incêndio.
- Pode haver fuga de líquido da pilha se o dispositivo não for utilizado correctamente. O líquido das pilhas pode causar irritação cutânea e queimaduras. Evite o contacto! Na eventualidade de contacto accidental, enxágue bem com água. No caso de contacto com os olhos, contacte um médico de imediato.

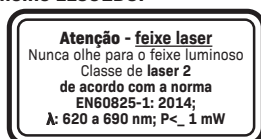
#### AVISOS DE SEGURANÇA ESPECÍFICOS

- O dispositivo é concebido para utilização em ambientes secos.
- Evite a influência de humidade e sujidade, bem como de raios solares directos.
- Não utilize o dispositivo perto de máquinas de soldar, aquecedores por indução e outros campos electromagnéticos.
- Não exponha o dispositivo a temperaturas elevadas durante períodos prolongados.
- Os símbolos que aparecem no dispositivo não podem ser removidos ou tapados. Os símbolos no dispositivo que já não sejam legíveis devem ser substituídos de imediato.

#### Manuseamento dos feixes laser

- Não olhe directamente para o feixe, nem mesmo a uma distância elevada.
- Nunca aponte o feixe de medição para pessoas, outros seres vivos ou superfícies reflectoras.
- Os óculos de vidro comuns não protegem contra os riscos dos feixes laser. Servem apenas para melhorar o reconhecimento do feixe laser.

#### Laser vermelho LL501DC:



#### Laser verde LL502DC:



## 2. INFORMAÇÕES SOBRE O PRODUTO

#### Utilização pretendida

O laser com linhas cruzadas é concebido para determinar e verificar linhas horizontais e verticais na parede e, por conseguinte, é concebido para alinhar objectos como mosaicos ou fotografias. O laser com linhas cruzadas é adequado para utilização em interiores.

#### ESPECIFICAÇÕES TÉCNICAS

Modelo n.º	LL501DC	LL502DC
Número de linhas	2	
Direcção dos feixes	Vertical/nível	
Cor da linha do laser	Vermelho	Verde
Comprimento de onda do laser	620 ~ 690 nm	510 ~ 530 nm
Classe de laser	II (<mW) de acordo com a norma EN60825-1: 2014;	
Período de trabalho*	10 m	18 m
Rigor	± 0,8 mm/m	
Intervalo de nivelamento automático	± 5°	
Período de nivelamento	4 segundos	
Protecção	IP 20	
Ligação do tripé	1/4"	
Tripé recomendado	LL801AA	
Período de funcionamento, máx.	14 horas	4 horas
Temperatura de funcionamento	-10 ~ 40 °C	
Temperatura de armazenamento	-20 ~ 70 °C	
Pilha	2 pilhas, 1,5 V, tipo LR03 AAA (alcalina)	
Peso (sem as pilhas)	190 g	
Dimensões	65 x 55 x 70 mm	

\* O período de trabalho pode ser reduzido se as condições ambientais forem desfavoráveis (por exemplo, luz solar directa).

## DESCRIÇÃO

Os números indicados no texto dizem respeito aos diagramas nas páginas 2 e 4.

### Fig. A

1. Botão do modo de funcionamento/ligar/desligar
2. Interruptor de bloqueio/ligar/desligar
3. Saída do feixe laser
4. Ligação do tripé de ¼ de polegada
5. Tampa das pilhas
6. Sistema de fixação universal
7. Mordentes de fixação
8. Botão de fixação (para mordentes de fixação)
9. Botão de regulação (para juntas esféricas)

## 3. MONTAGEM

### Inserir/substituir as pilhas (Fig. B)

1. Abra a tampa do compartimento das pilhas (5).
2. Se aplicável, retire as pilhas antigas.
3. Insira as pilhas com a polaridade correcta, de acordo com as instruções.
4. Feche a tampa do compartimento das pilhas (5).

### Utilizar o sistema de fixação universal (Fig. C)

1. Aperte o sistema de fixação universal (6) na ligação do tripé (4) no dispositivo.
2. Afrouxe o botão de fixação (8) e abra os mordentes de fixação (7) até ficarem presos no suporte.
3. Aperte o botão de fixação (8) até os mordentes do sistema de fixação universal (6) ficarem fixados com firmeza no suporte e já não ser possível mover o suporte.
4. Afrouxe o botão de regulação (9).
5. Rode o punho para a posição pretendida.
6. Volte a apertar o botão de regulação (9).
7. Para desapertar os mordentes de fixação, afrouxe o sistema de fixação universal (6) até poderem ser retirados do suporte sem dificuldade.

### Utilizar o tripé (não incluído)

1. Coloque o dispositivo com a ligação do tripé de 1/4" (4) na rosca do tripé ou num tripé de câmara comum.

2. Faça um alinhamento de teste antes de ligar o dispositivo.

## 4. FUNCIONAMENTO



*A marcação deve ser efectuada apenas com a parte central da linha do laser. A largura da linha do laser varia consoante a distância.*



*Antes de utilizar o equipamento pela primeira vez e efectuar futuras verificações periódicas, é recomendável efectuar uma verificação rigorosa, em especial para traçados precisos. Deve também proceder assim se o laser tiver sido sofrido uma queda.*



*Risco de ferimentos devido a componentes defeituosos! O produto só deve ser colocado em funcionamento se não apresentar defeitos. Assegure-se de que as peças defeituosas encontradas são substituídas antes de voltar a utilizar o produto.*



**ATENÇÃO! Risco de ferimentos causados pelos feixes laser!** Nunca aponte o feixe laser a pessoas, outros seres vivos ou superfícies reflectoras.

### Verifique o dispositivo:

- Assegure-se de que todas as peças estão montadas com firmeza na máquina.
- Verifique se existem defeitos visíveis: peças partidas, rachas, etc.
- Quando utilizar o laser pela primeira vez, verifique a precisão. Deve proceder do mesmo modo se não verificar o laser com regularidade.
- Deve também verificar a precisão se o laser tiver sido sofrido uma queda.

### Modo de nivelamento automático (Fig. A, D1)

Os lasers são alinhados automaticamente pelo pêndulo para que as linhas verticais e horizontais sejam apresentadas niveladas na parede.

1. Coloque o laser sobre uma superfície plana ou encaixe-o num sistema de fixação universal (7) ou num tripé (não incluído) e aperte-o de acordo com as instruções indicadas acima.

- Deslize o interruptor de bloqueio (2) para a esquerda para ligar o dispositivo. O botão do modo de funcionamento (1) acende-se a verde. Se o botão do modo de funcionamento (1) se acender a vermelho e o laser começar a piscar, o intervalo de inclinação permissível de 5 graus é excedido. Posicione o dispositivo na horizontal até o botão do modo de funcionamento acender-se a verde.
- Para desligar, deslize o interruptor de bloqueio para a direita. O laser desliga-se e o pêndulo fica bloqueado.



*Desligue a ferramenta de medição quando transportá-la. A unidade de pêndulo é bloqueada quando a ferramenta é desligada, porque há o risco de ficar danificada.*

### Modo manual (Fig. A, D2)

O laser pode ser alinhado manualmente para o ângulo pretendido, para permitir, por exemplo, a apresentação de uma linha diagonal.

- Coloque o laser sobre uma superfície plana ou encaixe-o num sistema de fixação universal (7) ou num tripé (não incluído) e aperte-o de acordo com as instruções indicadas acima.
- Verifique se o interruptor de bloqueio (2) está regulado para a direita. Caso contrário, deslize o interruptor de bloqueio (2) para a direita.
- Carregue no botão do modo de funcionamento (1) para ligar o laser. O botão do modo de funcionamento (1) acende-se a vermelho, porque o pêndulo está bloqueado.
- Em seguida, pode inclinar o laser para o ângulo pretendido, para que as linhas sejam apresentadas na diagonal na parede, como indicado na Fig. D2.
- Para desligar, carregue no botão do modo de funcionamento (1).

## 5. MANUTENÇÃO

### Verificar a precisão



*A marcação deve ser efectuada apenas com a parte central da linha do laser. A largura da linha do laser varia consoante a distância.*

### Verificação rápida da linha horizontal (Fig. A, E1)

- Coloque o dispositivo a cerca de 5 metros da parede.
- Deslize o interruptor de bloqueio (2) para a esquerda para ligar o dispositivo. O botão do modo de funcionamento (1) acende-se a verde. Se o botão do modo de funcionamento (1) se acender a vermelho e o laser começar a piscar, o intervalo de inclinação permissível de 5 graus é excedido. Coloque o dispositivo na horizontal.
- Depois de efectuar o nivelamento automático, faça uma marca horizontal na parede, como indicado na Figura E1. Assinale-a como ponto A.
- Rode o laser 2,5 m para a direita.
- Ligue o laser. Depois do nivelamento automático ser efectuado, trace uma marca horizontal na parede. Assinale isto como o ponto B, como indicado na Figura E1. Se os pontos A e B estiverem a uma distância superior a 2,5 mm de uma perspectiva vertical, é necessário efectuar uma verificação de calibração.

### Verificação rápida da linha vertical (Fig. A, E2):

- Coloque o dispositivo a cerca de 5 metros da parede.
- Pendure uma corda de 2,5 metros na parede com um peso na ponta da corda, como indicado na Figura E2. A corda deve estar solta.
- Deslize o interruptor de bloqueio (2) para a esquerda para ligar o dispositivo. Posicione a linha vertical junto ao fio. O botão do modo de funcionamento (1) acende-se a verde. Se o botão do modo de funcionamento (1) se acender a vermelho e o laser começar a piscar, o intervalo de inclinação permissível de 5 graus é excedido. Coloque o dispositivo na horizontal. Após o nivelamento automático, a diferença não deve ser superior a  $\pm 2,5$  mm. Se estiver a uma distância superior a 2,5 mm, é necessário verificar a calibração.

### Verificar a calibração (Fig. A, F)

A precisão do feixe horizontal pode ser verificada através dos seguintes passos:

- Coloque o dispositivo num tripé, centrado numa salada com paredes a uma distância de 5 metros.
- Deslize o interruptor de bloqueio (2) para a esquerda para ligar o dispositivo. O botão do

- modo de funcionamento (1) acende-se a verde. Se o botão do modo de funcionamento (1) se acender a vermelho e o laser começar a piscar, o intervalo de inclinação permissível de 5 graus é excedido. Coloque o dispositivo na horizontal.
- Depois de efectuar o nivelamento automático, trace uma marca horizontal na parede, num ponto da linha horizontal à sua escolha para indicar a altura do feixe. Assinale isto como o ponto A, como indicado na Figura F1.
  - Rode o dispositivo 180° e, após o nivelamento automático, assinale o ponto B, como indicado na Fig. F2.
  - Rode o dispositivo 180°. Coloque o dispositivo o mais próximo possível da parede à altura do ponto A, como indicado na Fig. F3.
  - Rode o dispositivo 180°. Após o nivelamento automático, assinale o ponto C. Esta marca deve ser colocada directamente acima, abaixo ou na parte superior do ponto B, como indicado na Fig. F4. A diferença entre os pontos B e C é a tolerância.

Se o ponto B e o ponto C estiverem a uma distância superior a 0,8 mm/m, é necessário efectuar um ajuste. Contacte o representante autorizado ou o departamento de assistência da Vonroc.

#### Limpeza



**AVISO! Risco de danos no produto!** Nunca mergulhe o dispositivo dentro de água quando estiver a limpá-lo.

Não utilize solventes ou produtos de limpeza. Limpe o dispositivo com um pano seco.

#### Armazenamento



**AVISO! Risco de danos no produto!** Manuseie sempre os instrumentos de medição com cuidado.

- Armazene o produto num local seco e bem-ventilado.
- Armazene e transporte apenas o produto na embalagem original.
- Evite grandes variações de temperatura: Condição sempre o produto durante algum tempo antes de utilizá-lo em ambientes extremamente quentes ou frios.

#### Armazenar o equipamento durante um período prolongado

- Se não utilizar o equipamento durante um período prolongado, retire as pilhas.



**AVISO! Risco de danos no produto!** As pilhas gastas e com fugas podem danificar o produto. Verifique a pilha com regularidade.

#### AMBIENTE



Os equipamentos eléctricos ou electrónicos defeituosos e/ou eliminados devem ser recolhidos em locais de reciclagem adequados.

#### Apenas para os países da CE

Não elimine as ferramentas eléctricas em conjunto com os resíduos domésticos. De acordo com a directiva europeia 2012/19/CE sobre resíduos de equipamentos eléctricos e electrónicos e a respectiva implementação na legislação nacional, as ferramentas eléctricas que já não sejam utilizadas devem ser recolhidas em separado e eliminadas de maneira ecológica.

#### GARANTIA

Os produtos da VONROC são desenvolvidos de acordo com os padrões de qualidade mais elevados e não apresentam quaisquer defeitos em termos de materiais e mão-de-obra em relação ao período estipulado por lei, cujo início é a partir da data de compra original. Se o produto apresentar qualquer falha durante este período devido a qualquer defeito no material e/ou de mão-de-obra, contacte a VONROC directamente.

As seguintes circunstâncias estão excluídas desta garantia:

- Se forem efectuadas ou tentadas quaisquer reparações e/ou alterações na máquina por centros de assistência não autorizados;
- Desgaste normal;
- Se a ferramenta foi utilizada de maneira abusiva, indevida ou a manutenção for efectuada de maneira incorrecta;
- Se forem utilizadas peças sobresselentes não originais.

Isto constitui a única garantia feita pela empresa, de maneira expressa ou implícita. Não existem quaisquer outras garantias expressas ou implícitas que se prolonguem, incluindo as garantias implícitas de comercialização e adequação para fins específicos. A VONROC não será, em nenhuma circunstância, responsável por danos incidentais ou indirectos. Os fornecedores devem estar limitados a reparar ou substituir as unidades ou peças que não estejam em conformidade.

**O equipamento e o manual do utilizador estão sujeitos a alterações sem aviso prévio. As especificações podem ser alteradas sem aviso prévio.**

## 1. BIZTONSÁGI UTASÍTÁSOK

Olvassa el az összes mellékelt biztonsági figyelmeztetést. A figyelmeztetések és utasítások be nem tartása áramütéshez, tűz keletkezéséhez vagy akár súlyos személyi sérüléshez vezethet. Őrizze meg a biztonsági figyelmeztetéseket és utasításokat későbbre is.

A használati útmutatóban és a terméken a következő jelölésekkel találkozhat:



*Olvassa el a használati útmutatót.*



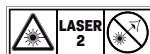
*Jelzi a személyi sérülések, az életveszély vagy a szerszám károsodásának veszélyét.*



*A terméket hulladékként ne tegye arra nem alkalmas konténerbe.*



*A termék megfelel az európai irányelvek rá vonatkozó biztonsági követelményeinek.*



*Lézersugár miatti szemsérülés veszélye! Soha ne nézzen közvetlenül a lézersugárba, és ne irányítsa azt tükröző felületekre!*

### ÁLTALÁNOS BIZTONSÁGI FIGYELMEZTETÉSEK

- A készülék biztonságos működtetéséhez a felhasználónak az első használat előtt el kell olvasnia és el kell sajátítania ezeket az útmutatásokat.
- Minden biztonsági utasítást tartson be! Ennek elmulasztásával kárt okozhat saját magának és másoknak.
- Őrizze meg az összes használati és biztonsági utasítást későbbre is.
- Ha eladja vagy továbbadja a készüléket, a jelen kezelési útmutatót is mellékelje hozzá.
- A készüléket csak akkor szabad használni, ha megfelelően működik. Ha a termék vagy bármely alkatrésze meghibásodott, ne használja tovább, és selejtezze le az előírásoknak megfelelően.
- Soha ne használja robbanásveszélyes helyiségben, illetve gyúlékony folyadékok vagy gázok közelében.

- Gyerekektől tartsa távol! Gyerekektől és más illetéktelen személyektől távol tartsa.

### Telepes készülékek használata

- Csak a gyártó által jóváhagyott telepeket használjon.
- Tűzveszély! Soha ne töltsen telepeket.
- Különítse el őket a fémtárgyaktól, mert azok zárlatot okozhatnak. Sérülés és tűz veszélye áll fenn.
- Ha helytelenül használják a telepet, folyadék szivároghat belőle. Az bőrirritációt és égési sérüléseket okozhat. Kerülje a közvetlen érintkezést a folyadékkal! Ha véletlenül mégis érintkezésbe került vele, alaposan öblítse le az érintett felületet. Ha folyadék került a szemébe, azonnal kérjen orvosi segítséget.

### SPECIÁLIS BIZTONSÁGI FIGYELMEZTETÉSEK

- A készülék száraz környezetben történő használatra való.
- Kerülje a nedvességet, a szennyeződések, valamint a közvetlen napfényt.
- Hegesztőgépek, indukciós fűtőtestek és más készülékek által keltett elektromágneses mező közelében ne használja a készüléket.
- Ne tegye ki hosszabb ideig magas hőmérsékletnek.
- Tilos a készüléken megtalálható jelzéseket eltávolítani vagy eltakarni. A már nem olvasható jelzéseket azonnal pótolni kell.

### Lézersugarak kezelése

- Még nagy távolságról se nézzen közvetlenül a lézersugárba.
- Soha ne irányítsa a mérősugarat emberekre, más élőlényekre és tükröző felületekre.
- A hagyományos lézerszemüvegek nem védenek a lézersugár veszélyeivel szemben. Csak arra szolgálnak, hogy a lézersugár könnyebben észrevehető legyen.

### LL501DC piros lézer:



**Figyelmeztetés - lézersugár**  
Soha ne nézzen a fényugárba.  
2. osztályú lézer  
A köv. szabvány szerint: EN60825-1: 2014;  
λ: 620-690 nm; P<\_ 1mW

### LL502DC zöld lézer:



**Figyelmeztetés - lézersugár**  
Soha ne nézzen a fényugárba.  
2. osztályú lézer  
A köv. szabvány szerint: EN60825-1: 2014;  
λ: 510-530 nm; P<\_ 1mW

## 2. TERMÉKINFORMÁCIÓK

### Rendeltetés

A keresztvonalas lézer a vízszintes és függőleges fali vonalak meghatározására és ellenőrzésére szolgál, ezért olyan tárgyak beállításához alkalmas, mint például a csempek vagy a képek. A keresztvonalas lézer beltéri használatra alkalmas.

### MŰSZAKI ADATOK

Modellazonosító	LL501DC	LL502DC
Vonalak száma	2	
A sugarak iránya	Függőleges/vízszintes	
A lézervonal színe	Piros	Zöld
Lézer hullámhossz	620-690 nm	510-530 nm
Lézerkategória	II (<mW) a köv. szabvány szerint: EN60825-1: 2014;	
Hatótávolság*	10 m	18 m
Pontosság	± 0,8 mm/m	
Önszintező tartomány	± 5°	
Szintezési idő	4 mp	
Védelem	IP 20	
Állványcsatlakozó	1/4"	
Javasolt állvány	LL801AA	
Üzemidő, max.	14 óra	4 óra
Üzemi hőmérséklet	-10 – 40 °C	
Tárolási hőmérséklet	-20 – 70 °C	
Elem	2 db 1,5 V-os LR03 AAA típusú (alkáli)	
Súly (elemek nélkül)	190 g	
Méretetek	65x55x70 mm	

\* Kedvezőtlen környezeti feltételek (pl. közvetlen napfény) csökkenthetik a hatótávolságot.



## LEÍRÁS

A szövegbeli számok a 2–4. oldal képeire utalnak.

### A ábra

1. Üzem módváltó / főkapcsoló gomb
2. Reteszelő kapcsoló
3. Lézersugár kimenet
4. ¼ hüvelykes állványcsatlakozó
5. Elemtartó rekesz fedele
6. Univerzális rögzítőelem
7. Szorítópofák
8. Rögzítőgomb (a szorítópofákhoz)
9. Beállító gomb (gömbcsuklókhoz)

## 3. ÖSSZESZERELÉS

### Az elemek behelyezése / cseréje (B ábra)

1. Nyissa fel az elemtartó rekesz fedelét (5).
2. Szükség esetén távolítsa el a régi elemeket.
3. Helyezze be az elemeket a megfelelő polaritással, a jelzéseknek megfelelően.
4. Zárja vissza az elemtartó rekesz fedelét (5).

### Az univerzális rögzítőelem használata (C ábra)

1. Csavarja az univerzális rögzítőelemet (6) a készülék állványcsatlakozójába (4).
2. Lazítsa meg a rögzítőgombot (8), és nyissa szét a szorítópofákat (7), amíg azok kellőképpen nem illeszkednek a tartóra.
3. Húzza meg a rögzítőgombot (8), amíg az univerzális rögzítőelem (6) pofái szilárdan rögzülnek a tartóhoz, és a tartó már nem mozgatható.
4. Lazítsa meg a beállító gombot (9).
5. Forgassa a készüléket a kívánt pozícióba.
6. Húzza meg újra a beállító gombot (9).
7. A rögzítőpofák kioldásához lazítsa meg az univerzális rögzítőelemet (6), amíg a tartóról gond nélkül le nem választható.

### Állvány használata (nem része a csomagnak)

1. Helyezze a készüléket az 1/4" állványcsatlakozóval (4) az állvány vagy egy hagyományos kameraállvány menetére.
2. A készülék bekapcsolása előtt nagyjából állítsa be az állványt.

## 4. HASZNÁLAT



A jelöléshez kizárólag a lézervonal közepe használható. A lézervonal szélessége a távolságtól függően változik.



Javasoljuk, hogy az első használat előtt ellenőrizze a pontosságot, és a későbbi használat során is rendszeresen végezzen ellenőrzéseket, különösen a pontos elrendezésekre vonatkozóan. Akkor is, ha esetleg leejtette a lézert.



Sérülésveszély hibás alkatrészek miatt! A készüléket csak akkor szabad üzembe helyezni, ha semmilyen hibája nincs. Mielőtt újra használja, gondoskodjon a hibás alkatrészek cseréjéről.



**FIGYELMEZTETÉS! Lézersugár miatti sérülés veszélye!** Soha ne irányítsa a lézersugarat emberekre, más élőlényekre és tükröző felületekre.

### A készülék ellenőrzése:

- Győződjön meg arról, hogy minden alkatrész megfelelően rögzítve legyen a gépen.
- Ellenőrizze, vannak-e a készüléken szemmel látható hibák: törött alkatrészek, repedések stb.
- Ellenőrizze a pontosságot, ha először használja a lézert, vagy ha a lézer pontosságát egy ideje már nem ellenőrizte.
- Akkor is ellenőrizze a pontosságot, ha esetleg leejtette a lézert.

### Önszintező üzemmód (A, D1 ábra)

A lézereket az inga automatikusan igazítja úgy, hogy a függőleges és vízszintes vonalak egyenesen jelenjenek meg a falon.

1. Helyezze a lézert egy sík felületre vagy az univerzális rögzítőelemre (7) / a külön beszerzett állványra, és rögzítse a fent leírtak szerint.
2. A készülék bekapcsolásához csúsztassa balra a reteszelő kapcsolót (2). Az üzemmódváltó gomb (1) zöld színnel világít. Ha az üzemmódváltó gomb (1) pirosan világít és a lézer villog, akkor túllépte az 5 fokos megengedett dőlésszöveget. A készüléket vízszintesen helyezze el – úgy, hogy az üzemmódváltó gomb zöld színnel világítson.
3. Kikapcsolásához csúsztassa el jobbra a reteszelő kapcsolót. A lézer kikapcsol, és az inga reteszelődik.



Szállításkor kapcsolja ki a mérőeszközt. Az ingaegység a szerszám kikapcsolásakor reteszelődik, mivel ellenkező esetben megsérülhetne.

**Kézi üzemmód (A, D2 ábra)**

A lézer manuálisan beállítható a kívánt szögbe, például egy átlós vonal megjelenítéséhez is.

1. Helyezze a lézert egy sík felületre vagy az univerzális rögzítőelemre (7) / a külön beszerzett állványra, és rögzítse a fent leírtak szerint.
2. Ellenőrizze, hogy a reteszelő kapcsoló (2) jobbra van-e állítva. Ha nem, csúsztassa el jobbra a reteszelő kapcsolót (2).
3. Nyomja meg az üzemmódváltó gombot (1) a lézer bekapcsolásához. Az üzemmódváltó gomb (1) pirosan világít, mert az inga reteszelve van.
4. Ekkor a lézert a kívánt szögbe döntheti, hogy a vonalak átlósan jelenjenek meg a falon a D2 ábrán látható módon.
5. A kikapcsoláshoz nyomja meg az üzemmódváltó gombot (1).

**5. KARBANTARTÁS****A pontosság ellenőrzése**

*A jelöléshez kizárólag a lézervonal közepe használható. A lézervonal szélessége a távolságtól függően változik.*

**A vízszintes vonal gyors ellenőrzése (A, E1 ábra)**

1. Állítsa a készüléket körülbelül 5 méterre a faltól.
2. A készülék bekapcsolásához csúsztassa balra a reteszelő kapcsolót (2). Az üzemmódváltó gomb (1) zöld színnel világít. Ha az üzemmódváltó gomb (1) pirosan világít és a lézer villog, akkor túllépte az 5 fokos megengedett dőlésszöget. Helyezze el a készüléket vízszintesen.
3. Miután a készülék elvégezte az önszintezést, tegyen egy vízszintes jelet a falra az E1 ábrán látható módon. Ez lesz az „A” pont.
4. Fordítsa a lézert 2,5 m-rel jobbra.
5. Kapcsolja be a lézert, és miután a készülék elvégezte az önszintezést, tegyen egy vízszintes jelet a falon. Ez lesz a „B” pont az E1 ábrának megfelelően. Ha az „A” és „B” pontok függőleges perspektívából nézve több mint 2,5 mm távolságra vannak egymástól, akkor a kalibráció ellenőrzésére van szükség.

**A függőleges vonal gyors ellenőrzése (A, E2 ábra)**

1. Állítsa a készüléket körülbelül 5 méterre a faltól.
2. Akasszon fel egy 2,5 méteres kötelet a falra, a kötél végére pedig helyezzen súlyt az E2 ábra szerint. A kötélt szabadon lengjen.

3. A készülék bekapcsolásához csúsztassa balra a reteszelő kapcsolót (2). Helyezze a függőleges vonalat a zsinór mellé. Az üzemmódváltó gomb (1) zöld színnel világít. Ha az üzemmódváltó gomb (1) pirosan világít és a lézer villog, akkor túllépte az 5 fokos megengedett dőlésszöget. Helyezze el a készüléket vízszintesen. Miután a készülék elvégezte az önszintezést, a különbség nem haladhatja meg a  $\pm 2,5$  mm-t. Ha meghaladja a 2,5 mm-t, a kalibráció ellenőrzésére van szükség.

**A kalibráció ellenőrzése (A, F ábra)**

A vízszintes sugár pontossága az alábbi lépésekkel ellenőrizhető:

1. Helyezze a készüléket egy állványra, egy olyan helyiségben középre, ahol a falak ideális esetben 5 méter távolságra vannak.
2. A készülék bekapcsolásához csúsztassa balra a reteszelő kapcsolót (2). Az üzemmódváltó gomb (1) zöld színnel világít. Ha az üzemmódváltó gomb (1) pirosan világít és a lézer villog, akkor túllépte az 5 fokos megengedett dőlésszöget. Helyezze el a készüléket vízszintesen.
3. Miután a készülék elvégezte az önszintezést, tegyen egy vízszintes jelet a falon, bárhol a vízszintes vonal mentén, hogy jelezze a sugár magasságát. Ez lesz az „A” pont az F1 ábrának megfelelően.
4. Fordítsa el a készüléket 180°-kal, és miután az elvégezte az önszintezést, jelölje meg a „B” pontot az F2 ábrának megfelelően.
5. Fordítsa el a készüléket 180°-kal. Helyezze a készüléket a lehető legközelebb a falhoz, az „A” pont magasságában az F3 ábrának megfelelően.
6. Fordítsa el a készüléket 180°-kal, és miután az elvégezte az önszintezést, jelölje meg a „C” pontot. Ennek a jelölésnek vagy közvetlenül a „B” pont felett, alatt vagy azzal fedésben kell lennie, ahogyan az az F4 ábrán látható. A „B” és „C” pontok közötti különbség a tolerancia.

Ha a „B” és a „C” pontok között több mint 0,8 mm/m eltérés van, akkor újbóli beállításra van szükség. Vegye fel a kapcsolatot a márkakereskedéssel vagy a Vonroc vevőszolgálatával.

**Tisztítás**

**MEGJEGYZÉS! A készülék károsodásának veszélye!** Tisztítás közben soha ne merítse vízbe a készüléket.

Tisztító- vagy oldószereket ne használjon. Száraz ronggyal törölje át a készüléket.

**Tárolás**

**MEGJEGYZÉS! A készülék károsodásának veszélye!** A mérőműszert mindig óvatosan kezelje!

- A terméket száraz, jól szellőző helyen tárolja.
- A terméket csak az eredeti csomagolásában tárolja és szállítsa.
- Kerülje a jelentős hőmérséklet-ingadozásokat: Amikor nagyon hideg vagy meleg környezetben fogja használni, előtte hagyjon valamennyi időt, hogy a készülék alkalmazkodjon a hőmérséklet-hez.

**A használat hosszabb idejű szüneteltetése**

- Ha a készüléket hosszabb ideig nem kívánja használni, vegye ki belőle az elemeket.



**MEGJEGYZÉS! A készülék károsodásának veszélye!** A régi, szivárgó telep kárt okozhat a készülékben. Rendszeresen ellenőrizze a telepet.

**KÖRNYEZETVÉDELEM**

A hibás vagy már feleslegessé vált elektromos, elektronikus készülékeket az ezzel foglalkozó begyűjtő helyeken kell leadni.

**Csak EU országokban**

Elektromos szerszámokat ne dobjon a háztartási hulladékok közé. Az elektromos és elektronikai hulladékokra vonatkozó, 2012/19/EU európai irányelv és annak a nemzeti törvénykezésbe történő átültetése értelmében az elhasználandó elektromos készülékeket külön kell gyűjteni és környezetbarát módon kell kiselejtezni.

**JÓTÁLLÁS**

A VONROC termékei a legmagasabb minőségi normák szerint készülnek, és az eredeti vásárlás napjától számított, törvényileg előírt időtartamig garantáljuk, hogy anyag- és gyártási hibáktól mentesen fognak működni. Ha a terméken ezen időszak alatt bármilyen hiba jelentkezik anyag- és/vagy gyártási hiba miatt, kérjük, forduljon közvetlenül a VONROC kapcsolattartójához.

A szavatosság nem érvényes a következő körülmények egyikére sem:

- Nem hivatalos szervizközpontok javítást vagy módosítást végeztek (vagy megkíséreltek javítást vagy módosítást végezni) a gépen;
- Normál elhasználódás és kopás;
- A terméket szabálytalanul vagy nem rendeltetésszerűen használták, vagy a karbantartása nem volt megfelelő;
- Nem eredeti pótalkatrészeket használtak.

A jelen garancia a vállalat által (akár kifejezetten, akár hallgatólagosan) biztosított kizárólagos garancia. Nem biztosítunk más garanciákat (sem kifejezett, sem hallgatólagos garanciákat, beleértve az értékesíthetőségre és az adott célra való alkalmasságra vonatkozó hallgatólagos garanciákat is), amelyek a jelen garancia hatókörén túlmutatnak. A VONROC semmilyen esetben sem felelős semmilyen járulékos vagy következményes kárért. A forgalmazók jogorvoslati teendői az előírásoknak nem megfelelő egységek vagy alkatrészek javítására és cseréjére korlátozódnak.

**A termék és a használati útmutató módosításának jogát fenntartjuk. A műszaki adatok előzetes bejelentés nélkül változhatnak.**

## 1. BEZPEČNOSTNÍ POKYNY

Přečtěte si přiložené bezpečnostní výstrahy, dodatečné bezpečnostní výstrahy a bezpečnostní pokyny. Nebudete-li dodržovat tyto bezpečnostní výstrahy a pokyny, může dojít k úrazu elektrickým proudem, k vzniku požáru nebo k vážného zranění. Ušchovejte tyto bezpečnostní výstrahy a pokyny pro budoucí použití.

V této uživatelské příručce a na tomto výrobku jsou použity následující symboly:



*Přečtěte si uživatelskou příručku.*



*Upozorňuje na riziko zranění osob, ztráty života nebo poškození zařízení, nebudou-li dodržovány pokyny uvedené v tomto návodu.*



*Nevyhazujte tento výrobek do nevhodného kontejneru.*



*Tento výrobek je vyroben v souladu s platnými bezpečnostními normami, které jsou uvedeny ve směrnících EU.*



*Nebezpečí poškození zraku laserovým paprskem! Nikdy se nedívejte přímo do laseru ani nesměřujte laserový paprsek na reflexní povrchy!*

### OBCENÉ BEZPEČNOSTNÍ VÝSTRAHY

- Pro bezpečné používání tohoto zařízení je nezbytné, aby si uživatelé před jeho prvním použitím přečetli tyto pokyny a porozuměli jim.
- Dodržujte všechny bezpečnostní pokyny! Jinak může dojít k ohrožení vás nebo ostatních.
- Ušchovejte si všechny pokyny pro používání i bezpečnostní pokyny pro budoucí použití.
- Prodáte-li nebo předáte-li toto zařízení jiné osobě, musíte jí předat i tento návod k obsluze.
- Toto zařízení smí být používáno pouze v případě, že funguje správně. Je-li tento výrobek poškozen nebo je-li poškozena některá jeho část, nesmí být používán a musí být správně zlikvidován.
- Nikdy nepoužívejte toto zařízení v prostoru, kde hrozí nebezpečí výbuchu, ani v blízkosti hořlavých tekutin nebo plynů.

- Zabraňte dětem v přístupu k tomuto zařízení! Uložte toto zařízení mimo dosah dětí a jiných neoprávněných osob.

### Použití zařízení napájených z baterií

- Používejte pouze baterie schválené výrobcem.
- Nebezpečí požáru! Tyto baterie nikdy nenabíjejte.
- Ukládejte baterie v bezpečné vzdálenosti od kovových předmětů, které by mohly způsobit jejich zkratování, když se nepoužívají. Hrozí nebezpečí zranění a požáru.
- Je-li baterie nesprávně používána, může z ní unikat elektrolyt. Elektrolyt z baterie může způsobit podráždění pokožky a popáleniny. Zabraňte kontaktu s ním! Dojde-li k náhodnému kontaktu, důkladně opláchněte zasažené místo vodou. Dojde-li k zasažení zraku, okamžitě vyhledejte lékařské ošetření.

### SPECIFICKÉ BEZPEČNOSTNÍ VÝSTRAHY

- Toto zařízení je určeno pro používání v suchém prostředí.
- Zamezte působení vlhkosti a nečistot, stejně jako přímých slunečních paprsků.
- Nepoužívejte toto zařízení v blízkosti svařovacích strojů, indukčních ohříváčů a jiných elektromagnetických polí.
- Nevystavujte toto zařízení dlouhodobě vysokým teplotám.
- Symboly umístěné na vašem zařízení není dovoleno odstraňovat ani zakrývat. Značky na zařízení, které už nejsou čitelné, je nutno okamžitě vyměnit.

### Práce s laserovým paprskem

- Nedívejte se přímo do paprsku, a to ani z větší vzdálenosti.
- Nikdy nesměřujte měřicí paprsek na lidi, jiné živé bytosti ani na reflexní povrchy.
- Běžné laserové brýle nechrání před nebezpečím laserového paprsku. Slouží pouze pro vylepšené rozpoznání laserového paprsku.

### LL501DC, laser s červeným paprskem:



**Varování - Laserový paprsek**  
Nikdy se nedívejte do světelného paprsku  
Laser Třída 2  
podle EN60825-1: 2014;  
λ: 620-690 nm; P<sub>e</sub> 1 mW

**LL502DC, laser se zeleným paprskem:**

**Varování – Laserový paprsek**  
Nikdy se nedívejte do světelného paprsku  
Laser Třída 2  
podle EN60825-1: 2014;  
λ: 510-530 nm; P<\_ 1 mW

**2. INFORMACE O VÝROBKU****Zamýšlené použití**

Křížový čárový laser promítá na stěny vodorovnou a svislou čáru, a proto se používá pro vyrovnávání předmětů, jako jsou obklady nebo obrazy. Tento křížový laser je vhodný pro použití v interiéru.

**TECHNICKÉ ÚDAJE**

Model č.	LL501DC	LL502DC
Počet linií	2	
Směr paprsků	Svislý/vodorovný	
Barva laserového paprsku	Červená	Zelená
Vlnová délka	620~690 nm	510~530 nm
Třída laseru	II (<mW) podle EN60825-1: 2014;	
Provozní dosah*	10 m	18 m
Přesnost	± 0,8 mm/m	
Rozsah samonivelace	± 5°	
Trvání samonivelace	4 s	
Krytí	IP 20	
Přípojka pro stativ	1/4"	
Doporučený stativ	LL801AA	
Provozní doba max.	14 hodin	4 hodiny
Provozní teplota	-10~40 °C	
Skladovací teplota	-20~70 °C	
Baterie	2x 1,5V, typ LR03 AAA (alkalické)	
Hmotnost (bez baterií)	190 g	
Rozměry	65 x 55 x 70 mm	

\* Provozní dosah se může zkrátit v závislosti na nepříznivých podmínkách prostředí (např. přímé sluneční světlo).

**POPIS**

Čísla v následujícím textu odkazují na obrázky na stranách 2-4.

**Obr. A**

1. Tlačítko provozního režimu (zapnutí/vypnutí)
2. Přepínač (zapnutí/vypnutí)
3. Výstup laserového paprsku
4. ¼palcová přípojka pro stativ
5. Kryt baterie
6. Univerzální svorka
7. Upínací čelisti
8. Aretační knoflík (pro upínací čelisti)
9. Nastavovací knoflík (pro kulové klouby)

**3. SESTAVENÍ****Vložení / výměna baterií (Obr. B)**

1. Otevřete víko prostoru pro baterie (5).
2. V případě potřeby vyjměte staré baterie.
3. Vložte baterie se správnou polaritou, jak je naznačeno uvnitř prostoru.
4. Zavřete víko prostoru pro baterie (5).

**Použití univerzální svorky (Obr. C)**

1. Našroubujte univerzální svorku (6) do přípojky pro stativ (4) na přístroji.
2. Povolte aretační knoflík (8) a odtačte od sebe upínací čelisti (7) tak, abyste je mohli nasadit na vhodnou podpěru.
3. Utáhněte aretační knoflík (8), až čelisti univerzální svorky (6) pevně obepnou držák a svorka se nebude pohybovat.
4. Povolte nastavovací knoflík (9).
5. Natočte přístroj do požadované polohy.
6. Znovu utáhněte nastavovací knoflík (9).
7. Chcete-li uvolnit upínací čelisti, povolte univerzální svorku (6), aby se daly snadno stáhnout z držáku.

**Použití stativu (není součástí dodávky)**

1. Použijte 1/4" přípojku pro stativ (4) k našroubování přístroje na stativ, například takový, jaký se používá při fotografování.
2. Před zapnutím přístroje stativ zhruba vyrovnejte.

**4. POUŽITÍ**

*Pro značení se smí používat pouze střed laserové čáry. Šířka laserové čáry je závislá na vzdálenosti.*



Před prvním použitím se doporučuje provést kontrolu přesnosti a později provádět tuto kontrolu pravidelně, zejména když jsou požadována přesná měření. Také když došlo k pádu přístroje.



Nebezpečí zranění v důsledku vadných součástí! Tento výrobek je povoleno používat pouze tehdy, když nemá žádné vady. Zajistěte, aby veškeré vadné díly byly před opětovným použitím výrobku vyměněny.



**VAROVÁNÍ! Nebezpečí zranění laserovým paprskem!** Nikdy nesměřujte laserový paprsek na lidi, jiné živé bytosti ani na reflexní povrchy.

#### Zkontrolujte přístroj:

- Ujistěte se, že všechny díly jsou na přístroji upevněny pevně.
- Zkontrolujte, zda na něm neuvídíte nějaké viditelné vady: rozbité díly, praskliny apod.
- Zkontrolujte přesnost měření, když laserový dálkoměr používáte poprvé nebo pokud jste jej nějakou dobu nekontrolovali.
- Také zkontrolujte přesnost poté, co došlo k pádu přístroje.

#### Samonivelační režim (Obr. A, D1)

Lasery jsou vyrovnány automaticky pomocí kyvadla tak, aby svislé a vodorovné čáry byly na stěnách zobrazeny správně.

1. Postavte laser na rovný povrch nebo použijte univerzální svorku (7) nebo stativ (není součástí dodávky) a upevněte přístroj podle postupu popsaného výše.
2. Přesunutím přepínače (2) doleva zapněte přístroj. Tlačítko provozního režimu (1) začne svítit zelenou barvou. Pokud tlačítko provozního režimu (1) svítí červeně a laser bliká, znamená to překročení přípustného úhlu náklonu (5 stupňů). Umístěte přístroj ve vodorovném směru tak, aby tlačítko provozního režimu svítilo zelenou barvou.
3. Přístroj vypnete přesunutím přepínače doprava. Laser se vypne a kyvadlo se zajistí.



Před přenášením přístroj vypněte. Jednotka kyvadla je zablokovaná, když je přístroj vypnutý, jinak by se mohla poškodit.

#### Manuální režim (Obr. A, D2)

Laser může být vyrovnán ručně na požadovaný úhel, například když potřebujete vyznačit šikmou linii.

1. Postavte laser na rovný povrch nebo použijte univerzální svorku (7) nebo stativ (není součástí dodávky) a upevněte přístroj podle postupu popsaného výše.
2. Zkontrolujte, zda je přepínač (2) v pravé poloze. Pokud není, přesuňte přepínač (2) doprava.
3. Stisknutím tlačítka provozního režimu (1) zapněte laser; toto tlačítko (1) se rozsvítí červeně, protože je kyvadlo zablokováno.
4. Teď můžete naklonit laser do jakého úhlu chcete, aby se na stěně zobrazovala šikmá linie, jak ukazuje obrázek D2.
5. Přístroj vypnete stiskem tlačítka provozního režimu (1).

## 5. ÚDRŽBA

#### Kontrola přesnosti



Pro značení se smí používat pouze střed laserové čáry. Šířka laserové čáry je závislá na vzdálenosti.

#### Rychlá kontrola vodorovné linie (Obr. A, E1)

1. Postavte přístroj do vzdálenosti přibližně 5 metrů od stěny.
2. Přesunutím přepínače (2) doleva zapněte přístroj. Tlačítko provozního režimu (1) začne svítit zelenou barvou. Pokud tlačítko provozního režimu (1) svítí červeně a laser bliká, znamená to překročení přípustného úhlu náklonu (5 stupňů). Umístěte přístroj do vodorovné polohy.
3. Po dokončení samonivelace si udělejte vodorovnou značku na stěně, jak ukazuje obrázek E1. Tento bod označte písmenem A.
4. Otočte laser o 2,5 m doprava.
5. Zapněte laser a po dokončení samonivelace si udělejte vodorovnou značku na stěně. Tento bod označte písmenem B, jak naznačuje obrázek E1. Pokud je mezi body A a B ve svislém směru vzdálenost větší než 2,5 mm, je nutná kontrola kalibrace.

#### Rychlá kontrola svislé linie (Obr. A, E2):

1. Postavte přístroj do vzdálenosti přibližně 5 metrů od stěny.
2. Pověste na stěnu 2,5 metru dlouhé lano se závažím na konci, jak ukazuje obrázek E2. Lano se musí volně houpat.

3. Přesunutím přepínače (2) doleva zapnete přístroj. Umístěte svislou linii vedle lana. Tlačítko provozního režimu (1) začne svítit zelenou barvou. Pokud tlačítko provozního režimu (1) svítí červeně a laser bliká, znamená to překročení přípustného úhlu náklonu (5 stupňů). Umístěte přístroj do vodorovné polohy. Po dokončení samonivelace nesmí rozdíl překročit  $\pm 2,5$  mm. Je-li větší než 2,5 mm, je nutná kontrola kalibrace.

### Kontrola kalibrace (Obr. A, F)

Přesnost vodorovného paprsku je možné zkontrolovat pomocí následujících kroků:

1. Upevněte přístroj na stativ stojící uprostřed místnosti; vzdálenost ke stěnám by v ideálním případě měla být 5 metrů.
2. Přesunutím přepínače (2) doleva zapnete přístroj. Tlačítko provozního režimu (1) začne svítit zelenou barvou. Pokud tlačítko provozního režimu (1) svítí červeně a laser bliká, znamená to překročení přípustného úhlu náklonu (5 stupňů). Umístěte přístroj do vodorovné polohy.
3. Po dokončení samonivelace si udělejte vodorovnou značku někde na stěně, abyste si poznačili výšku paprsku. Tento bod označte písmenem A, jak ukazuje obrázek F1.
4. Otočte přístroj o 180° a po dokončení samonivelace vyznačte bod B, jak ukazuje obrázek F2.
5. Otočte přístroj o 180°. Umístěte přístroj co nejblíže ke stěně ve výši bodu A, jak ukazuje obrázek F3.
6. Otočte přístroj o 180° a po dokončení samonivelace vyznačte bod C. Tento bod se bude nacházet nad nebo pod bodem B, jak ukazuje obrázek F4. Rozdíl mezi body B a C je tolerance.

Jsou-li body B a C od sebe ve vzdálenosti větší než 0,8 mm/m, je nutné seřízení laseru. Kontaktujte svého autorizovaného prodejce nebo servisní oddělení firmy Vonroc.

### Čištění



**POZNÁMKA! Nebezpečí poškození výrobku!**  
Při čištění nikdy nepoňujte toto zařízení do vody.

Nepoužívejte čisticí prostředky ani rozpouštědla. Otřete zařízení suchou utěrkou.

### Skladování



**POZNÁMKA! Nebezpečí poškození výrobku!**  
S měřicími přístroji vždy zacházejte opatrně.

- Skladujte tento výrobek na suchém a dobře větraném místě.
- Skladujte a přepravujte tento výrobek pouze v jeho původním obalu.
- Zabraňte velkému kolísání teplot: Před použitím v extrémně chladném nebo horkém prostředí tento produkt vždy chvíli temperujte.

### Vyřazení zařízení z provozu na delší dobu

- Nebude-li tento výrobek delší dobu používat, vyjměte z něj baterie.



**POZNÁMKA! Nebezpečí poškození výrobku!**  
Staré nebo poškozené baterie mohou způsobit poškození produktu. Provádějte pravidelnou kontrolu baterií.

## OCHRANA ŽIVOTNÍHO PROSTŘEDÍ



Poškozená a likvidovaná elektrická nebo elektronická zařízení musí být odevzdána ve sběrných dvorech, které jsou určeny pro tento účel.

### Pouze pro země EU

Nevyhazujte elektrická nářadí do běžného domácího odpadu. Podle evropské směrnice 2012/19/EC týkající se likvidace elektrických a elektronických zařízení a její implementace do vnitrostátního práva, musí být nepoužívaná elektrická nářadí shromažďována odděleně a jejich likvidace musí být provedena tak, aby nedošlo k ohrožení životního prostředí.

## ZÁRUKA

Výrobky VONROC jsou vyvíjeny v souladu s požadavky norem na nejvyšší kvalitu a je zaručeno, že po dobu platné záruky, která začíná běžet dnem původního nákupu, nebudou na těchto výrobcích žádné vady materiálu, ani vady způsobené špatným dílenským zpracováním. Dojde-li během tohoto období k závadě v důsledku vady materiálu nebo dílenského zpracování, kontaktujte přímo firmu VONROC.

Z této záruky jsou vyloučeny následující případy:

- Opravy nebo úpravy tohoto zařízení byly provedeny nebo byly provedeny pokusy o jejich provedení v neautorizovaných servisech;
- Běžné opotřebení;
- Toto zařízení bylo nesprávně použito, nevhodně použito nebo nebyla prováděna jeho správná údržba;
- Byly použity neoriginální náhradní díly.

Výše uvedené představuje jedinou záruku poskytovanou společností, ať už výslovnou nebo předpokládanou. Neexistují žádné další záruky, výslovné ani nebo předpokládané, které přesahují rámec zde uvedeného, včetně předpokládaných záruk prodejnosti a vhodnosti pro určitý účel. VONROC v žádném případě neodpovídá za jakékoliv náhodné ani následné škody. Opravné prostředky prodejců se omezují výhradně na opravu nebo výměnu nevohujících jednotek nebo dílů.

**Na tomto výrobku a v tomto návodu mohou být prováděny změny. Technické údaje mohou být změněny bez předchozího upozornění.**

## 1. GÜVENLİK TALİMATLARI

Ekteki güvenlik uyarılarını, ilave güvenlik uyarılarını ve talimatları okuyun. Güvenlik uyarılarını ve talimatları izlemek elektrik çarpması, yangın ve/veya ciddi yaralanma ile sonuçlanabilir. Güvenlik uyarılarını ve talimatları ilerde bakmak üzere muhafaza edin.

Aşağıdaki semboller kullanıcı kılavuzunda veya ürün üzerinde kullanılmaktadır:



*Kullanıcı kılavuzunu okuyun.*



*Bu kılavuzdaki talimatlara uymama durumunda bedensel yaralanma, can kaybı veya alete hasat riskini belirtir.*



*Ürünü uygun olmayan kaplara atmayın.*



*Ürün, Avrupa yönergelerindeki geçerli güvenlik standartlarına uygundur.*



*Lazer ışınlarına bağlı göz yaralanması riski! Lazer ışınlarına doğrudan bakmayın ve lazer ışını yansıtıcı yüzeylere tutarak yönlendirmeyin!*

## GENEL GÜVENLİK TALİMATLARI

- Kullanıcı, bu cihazı güvenli bir şekilde kullanmak için, cihazı ilk kez kullanmadan önce bu kullanım kılavuzunu okumalı ve anlamış olmalıdır.
- Tüm güvenlik talimatlarına uyun! Bunun yapmaması size ve başkalarına zarar verebilir.
- Kullanım kılavuzunu ve güvenlik talimatlarını gelecekte başvurmak üzere muhafaza edin.
- Cihazı satmanız veya başkalarına vermeniz durumunda bu kullanım kılavuzunu da teslim etmelisiniz.
- Cihaz sadece doğru şekilde çalıştığı anda kullanılmalıdır. Ürün veya ürünün bir parçası arızalıysa, kullanım dışı bırakılmalı ve doğru şekilde atılmalıdır.
- Cihazı patlama tehlikesi olan yerlerde veya yanıcı sıvı veya gazların yakınında kesinlikle kullanmayın.
- Çocukları cihazdan uzak tutun! Cihazı çocukların ve diğer yetkisiz kişilerden geçiş yolundan uzak tutun.



**Pille çalışan cihazların kullanılması**

- Sadece üretici tarafından onaylanmış pilleri kullanın.
- Yangın tehlikesi! Pilleri kesinlikle şarj etmeyin.
- Pilleri kullanılmadığında, kısa devrelere sebep olabilecek metal nesnelere uzak tutun. Yaralanma ve yangın riski vardır.
- Yanlış kullanıldığında pilden sıvı kaçağı olabilir. Pil sıvısı ciltte tahrişlere ve yanıklara neden olabilir. Temastan kaçınınız! Kazara temas edilmesi durumunda, su ile iyice durulayın. Göze temas etmesi halinde derhal bir hekime başvurun.

**MAKİNEYE ÖZEL GÜVENLİK TALİMATLARI**

- Cihaz kuru ortamda kullanılmak üzere tasarlanmıştır.
- Nem ve kirin yanı sıra doğrudan güneş ışınlarına maruz bırakmayın.
- Cihazı kaynak makineleri, indüksiyon ısıtıcıları ve diğer elektromanyetik alanların yakınında çalıştırmayın.
- Cihazın uzun süre yüksek sıcaklıklara maruz kalmasına izin vermeyin.
- Cihazınızda görünen semboller yerinden çıkartılamaz veya üzeri kapatılamaz. Cihazda artık okunamaz hale gelmiş işaretler derhal değiştirilmelidir.

**Lazer ışınlarıyla çalışma**

- Çok uzak mesafelerden bile olsa lazer ışınlarına doğrudan bakmayın.
- Ölçüm ışınına asla insanlara, diğer canlılara veya yansıtıcı yüzeylere yönlendirmeyin.
- Geleneksel lazer gözlükler, lazer ışınlarının tehlikelerine karşı koruma sağlamaz. Bu gözlükler sadece lazer ışınının daha iyi görünmesine hizmet ederler.

**LL501DC çizgi lazeri kırmızı:****LL502DC çizgi lazeri yeşili:****2. MAKİNE BİLGİSİ****Kullanım amacı**

Çapraz çizgi lazeri, duvardaki yatay ve dikey çizgileri belirlemek ve kontrol etmek için tasarlanmıştır ve bu amaca dönük olarak fayans veya resim gibi nesnelere hizalamak için tasarlanmıştır. Çapraz çizgi lazeri kapalı alanda kullanım için uygundur.

**TEKNİK SPESİFİKASYONLAR**

Model No.	LL501DC	LL502DC
Çizgi sayısı	2	
Işınların yönü	Dikey/yatay	
Lazer çizgisinin rengi	Kırmızı	Yeşil
Lazer Dalga Boyu	620 ~ 690 nm	510 ~ 530 nm
Lazer sınıfı	I (<mW) EN60825-1: 2014;	
Çalışma menzili*	10m	18m
Hassasiyet	± 0.8 mm/m	
Otomatik seviye ayarlama menzili	± 5°	
Seviye ayarlama süresi	4 sn	
Koruma sınıfı	IP 20	
Tripod bağlantısı	1/4"	
Önerilen tripod	LL801AA	
Çalışma süresi, maks.	14 saat	4 saat
Çalışma sıcaklığı	-10 ~ 40 °C	
Depolama sıcaklığı	-20 ~ 70 °C	
Pil	2x 1,5V tip LR03 AAA (alkalin)	
Ağırlık (Piller Hariç)	190 g	
Boyutları	65x55x70 mm	

\* Olumsuz çevre koşulları (örn. doğrudan güneş ışığı) nedeniyle çalışma aralığı azalabilir.

**AÇIKLAMA**

Metindeki numaralar sayfa 2-4'teki şekilleri işaret etmektedir.

**Şekil A**

- Çalışma modu düğmesi / açık / kapalı
- Kilitleme düğmesi / açık / kapalı
- Lazer ışın çıkışı
- ¼ inç tripod bağlantısı
- Pil kapağı

6. Evrensel kelepçe
7. Sıkıştırma çeneleri
8. Kilitleme topuzu (sıkıştırma çeneleri için)
9. Ayar topuzu (bilyeli mafsal için)

### 3. MONTAJ

#### Pillerin takılması / değiştirilmesi (Şekil B)

1. PİL bölmesi kapağını (5) açın.
2. Mümkünse eski pilleri çıkarıp değiştirin.
3. Pilleri gösterildiği şekilde doğru kutuplara uygun yerleştirin.
4. PİL bölmesi kapağını (5) kapatın.

#### Evrensel kelepçenin kullanılması (Şekil C)

1. Evrensel kelepçeyi (6) cihazdaki tripod bağlantısına (4) vidalayın.
2. Kilitleme topuzunu (8) gevşetin ve sıkıştırma çenelerini (7) taşıyıcıya oturana kadar itin.
3. Evrensel kelepçenin (6) çeneleri taşıyıcıya sıkıca takılana ve düzenek artık hareket etmeyeceye kadar kilitleme topuzunu (8) sıkın.
4. Ayar topuzunu (9) gevşetin.
5. Cihazı istenen konuma döndürün.
6. Ayar topuzunu (9) geri sıkın.
7. Sıkıştırma çenelerini gevşetmek için evrensel kelepçeyi (6) taşıyıcıdan zorlanmadan çıkana kadar gevşetin.

#### Tripodun kullanılması (dahil değildir)

1. Cihazı 1/4" tripod bağlantısı (4) ile tripod veya geleneksel bir kamera tripodunun üzerine yerleştirin.
2. Cihazı açmadan önce tripodu kabaca hizalayın.

### 4. ÇALIŞTIRMA



*İşaretleme için sadece lazer çizgisinin merkezi kullanılmalıdır. Lazer çizgisinin genişliği mesafeye bağlı olarak değişir.*



*İlk kullanımdan önce bir hassasiyet kontrolü yapılması ve özellikle hassas düzenler için ileride kullanım sırasında periyodik kontrollerin yerine getirilmesi önerilir. Aynı zamanda, lazer yere düştüğünde de bu kontroller yapılmalıdır.*



*Arızalı bileşenlerden kaynaklanan yaralanma tehlikesi! Ürün ancak herhangi bir arızası bulunmadığında çalıştırılmalıdır.*

*Ürün tekrar kullanılmadan önce arızalı parçaların değiştirildiğinden emin olun.*



**Lazer ışınlarına bağlı yaralanması riski!**  
*Ölçüm ışını asla insanlara, diğer canlılara veya yansıtıcı yüzeylere yönlendirmeyin.*

#### Cihazı kontrol edin:

- Tüm parçaların makineye sıkıca takıldığından emin olun.
- Herhangi bir görünür kusur olup olmadığını kontrol edin: kırık parçalar, çatlaklar, vb.
- Lazeri ilk kez kullandığınızda veya lazerin hassasiyeti bir süredir kontrol edilmediğinde hassasiyeti kontrol edin.
- Aynı zamanda, lazer yere düştüğünde de hassasiyeti kontrol edin.

#### Otomatik seviye ayarlama modu (Şekil A, D1)

Lazerler sarkaç ile otomatik olarak hizalanır, böylece dikey ve yatay çizgiler duvarda aynı seviyede görüntülenir.

1. Lazeri düz bir yüzeye yerleştirin veya evrensel kelepçe (7) veya tripod (dahil değildir) takın ve yukarıda açıklandığı gibi sabitleyin.
2. Cihazı çalıştırmak için kilit düğmesini (2) sola kaydırın. Çalışma modu düğmesi (1) yeşil renkte yanar. Çalışma modu düğmesi (1) kırmızı yanarsa ve lazer yanıp sönerse, izin verilen 5 derecelik eğim aralığı aşılmış demektir. Çalışma modu düğmesi yeşil yanana kadar cihazı yatay olarak konumlandırın.
3. Kapatmak için kilitleme düğmesini sağa kaydırın. Lazer kapanır ve sarkaç kilitlenir.



*Ölçme aletini taşıırken kapatın. Aksi takdirde hasar görebileceği için, sarkaç ünitesi, alet kapatıldığında kilitlenir.*

#### Manuel mod (Şekil A, D2)

Lazer, örneğin çapraz bir çizginin görüntülenmesini sağlamak için ihtiyacınız olan açığa manuel olarak hizalanabilir.

1. Lazeri düz bir yüzeye yerleştirin veya evrensel kelepçe (7) veya tripod (dahil değildir) takın ve yukarıda açıklandığı gibi sabitleyin.
2. Kilitleme düğmesinin (2) sağda olup olmadığını kontrol edin. Eğer değilse kilitleme düğmesini (2) sağa kaydırın.

3. Lazeri açmak için çalıştırma modu düğmesine (1) basın ve çalışma modu düğmesi (1) sarıya bloke olduğu için kırmızı yanar.
4. Artık lazeri istediğiniz açıya eğebilirsiniz, böylece çizgiler Şekil D2'de gösterildiği gibi duvarda çarpaz olarak görüntülenir.
5. Kapatmak için işletim modu düğmesine (1) basın.

## 5. BAKIM

### Hassasiyet kontrolü



*İşaretleme için sadece lazer çizgisinin merkezi kullanılmalıdır. Lazer çizgisinin genişliği mesafeye bağlı olarak değişir.*

### Hızlı yatay çizgi kontrolü (Şekil A, E1)

1. Cihazı duvardan yaklaşık 5 metre uzağa yerleştirin.
2. Cihazı çalıştırmak için kilit düğmesini (2) sola kaydırın. Çalışma modu düğmesi (1) yeşil renkte yanar. Çalışma modu düğmesi (1) kırmızı yanarsa ve lazer yanıp sönerse, izin verilen 5 derecelik eğim aralığı aşılmış demektir. Cihazı yatay olarak konumlandırın.
3. Otomatik seviye ayarlamasından sonra, Şekil E1'de gösterildiği gibi duvarda yatay bir işaret oluşturun. Bunu A noktası olarak işaretleyin.
4. Lazeri 2,5 m sağa çevirin.
5. Lazeri açın ve otomatik seviye ayarlaması sonrasında duvarda yatay bir işaret oluşturun. Bunu Şekil E1'de gösterildiği gibi B noktası olarak işaretleyin. A ve B noktaları dikey perspektiften 2,5 mm'den daha uzak olduğunda, bir kalibrasyon kontrolü gereklidir.

### Hızlı dikey çizgi kontrolü (Şekil A, E2):

1. Cihazı duvardan yaklaşık 5 metre uzağa yerleştirin.
2. Şekil E2'de gösterildiği gibi, 2,5 metrelik bir ipi, ipin ucunda bir ağırlık olacak şekilde duvara asın. İp serbestçe sallanıyor olmalıdır.
3. Cihazı çalıştırmak için kilit düğmesini (2) sola kaydırın. Dikey çizgiyi telin yanına yerleştirin. Çalışma modu düğmesi (1) yeşil renkte yanar. Çalışma modu düğmesi (1) kırmızı yanarsa ve lazer yanıp sönerse, izin verilen 5 derecelik eğim aralığı aşılmış demektir. Cihazı yatay olarak konumlandırın. Otomatik seviye ayarlamasından sonra, fark  $\pm 2,5$  mm'yi geçmemelidir. 2,5 mm'den fazla bir mesafe olduğunda, bir kalibrasyon kontrolü gereklidir.

### Kalibrasyon kontrolü (Şekil A, F)

Yatay ışının hassasiyeti şu adımlar izlenerek kontrol edilebilir:

1. Cihazı, ideal olarak duvarları arasında 5 metre mesafe olan bir odanın tam ortasına koyulmuş bir tripoda yerleştirin.
2. Cihazı çalıştırmak için kilit düğmesini (2) sola kaydırın. Çalışma modu düğmesi (1) yeşil renkte yanar. Çalışma modu düğmesi (1) kırmızı yanarsa ve lazer yanıp sönerse, izin verilen 5 derecelik eğim aralığı aşılmış demektir. Cihazı yatay olarak konumlandırın.
3. Otomatik seviye ayarlama sonrasında, ışının yüksekliğini belirtmek için duvarda yatay çizgi boyunca herhangi bir yerde yatay bir işaret oluşturun. Bunu Şekil F1'de gösterildiği gibi A noktası olarak işaretleyin.
4. Cihazı 180° çevirin ve otomatik seviye ayarlaması yaptıktan sonra bunu Şekil F2'de gösterildiği gibi B noktası olarak işaretleyin.
5. Cihazı 180° çevirin. Cihazı, Şekil F3'te gösterildiği gibi A noktası yüksekliğinde duvara mümkün olduğunca yakın konumlandırın.
6. Cihazı 180° çevirin ve otomatik seviye ayarlaması sonrasında bunu C noktası olarak işaretleyin. Bu işaret, Şekil F4'te gösterildiği gibi doğrudan B noktasının üstünde, altında veya üstünde olmalıdır. B ve C noktaları arasındaki fark tolerans mesafesidir.

B ve C arasındaki mesafe 0,8 mm/ m'den fazla olduğunda, bir ayarlama gereklidir. Yetkili bayinizle veya başka bir Vonroc Servis Departmanı ile iletişime geçin.

### Temizleme



**İKAZ! Üründe hasar riski!** Cihazı temizlerken kesinlikle suya batırmayın.

Temizlik maddeleri veya çözücülerini kullanmayın. Cihazı kuru bir bezle silin.

### Saklama



**İKAZ! Üründe hasar riski!** Ölçüm aletlerini her zaman dikkatli kullanın.

- Ürünü kuru ve iyi havalandırılmış bir yerde saklayın.
- Ürünü yalnızca orijinal ambalajında saklayın ve taşıyın.

- Büyük sıcaklık dalgalanmalarını önleyin: Aşırı soğuk veya sıcak ortamlarda kullanmadan önce daima ürünün bir süre ortama uyum sağlamasını bekleyin.

#### **Çok uzun süre çalışmaması durumunda**

- Uzun süre kullanılmayacak olması durumunda pilini çıkartın.



#### **İKAZ! Üründe hasar riski!**

*Eski, sızdıran piller ürüne zarar verebilir. Pili düzenli olarak kontrol edin.*

## **ÇEVRE**



*Arızalı ve/veya atılmış elektrikli veya elektronik ekipmanların uygun geri dönüşüm konumlarında toplanması gerekir.*

#### **Yalnızca AT ülkeleri için**

Elektrikli aletleri evsel atık olarak atmayın. Atık Elektrikli ve Elektronik Donanım için Avrupa İlkeleri 2012/19/EU'ya ve bunun yerel hukuk çerçevesinde uygulamasına göre, artık kullanılamaz olan elektrikli aletler ayrı olarak toplanmalı ve çevre dostu bir yolla imha edilmelidir.

## **GARANTİ**

VONROC ürünleri yüksek kalite standartları doğrultusunda geliştirilmiştir ve ilk satın alımdan itibaren kanunen belirlenen süre boyunca materyal ve işçilik açısından kusursuz olacağı garanti edilmektedir. Bu süre zarfında, kusurlu materyal ve/veya işçilikten dolayı üründe herhangi bir arıza meydana gelmesi durumunda, doğrudan VONROC iletişim kurun.

Takip eden durumlar bu garanti kapsamı dışındadır:

- Yetkisiz servis merkezleri tarafından yapılan veya yapılmaya teşebbüs edilen onarım ve/veya değişiklikler.
- Normal aşınma ve eskime.
- Cihazın kötü ve yanlış kullanılması veya cihaza yanlış bakım yapılması.
- Orijinal olmayan yedek parçaların kullanılması

Bu, şirket tarafından açık ya da zımni verilmiş tek garantiyi oluşturur. Belirli bir amaç için ticarete elverişlilik ve uygunluğun zımni garantileri dahil dış görünüşünün ötesine uzanan açık veya zımni başka hiçbir garanti yoktur. VONROC herhangi bir arızı

veya dolaylı zarardan hiçbir halükarda sorumlu olmayacaktır. Bayilerin getireceği çözümler uygunsuz birimlerin veya parçaların onarımı veya değiştirilmesiyle sınırlı olacaktır.

**Ürün ve kullanıcı kılavuzu değişikliğe tabidir. Spesifikasyonlar başka bir uyarı olmaksızın değiştirilebilir.**







## DECLARATION OF CONFORMITY LL501DC / LL502DC - CROSS LINE LASER

- (EN) We declare under our sole responsibility that this product is in conformity with directive 2011/65/EU of the European parliament and of the council of 8 June on the restriction of the use of certain hazardous substances in electrical and electronic equipment is in conformity and accordance with the following standards and regulations:
- (DE) Der Hersteller erklärt eigenverantwortlich, dass dieses Produkt der Direktive 2011/65/EU des Europäischen Parlaments und des Rats vom 8. Juni 2011 über die Einschränkung der Anwendung von bestimmten gefährlichen Stoffen in elektrischen und elektronischen Geräten entspricht. den folgenden Standards und Vorschriften entspricht:
- (NL) Wij verklaren onder onze volledige verantwoordelijkheid dat dit product voldoet aan de conform Richtlijn 2011/65/EU van het Europees Parlement en de Raad van 8 juni 2011 betreffende beperking van het gebruik van bepaalde gevaarlijke stoffen in elektrische en elektronische apparatuur en in overeenstemming is met de volgende standaarden en reguleringen:
- (FR) Nous déclarons sous notre seule responsabilité que ce produit est conforme aux standards et directives suivants: est conforme à la Directive 2011/65/EU du Parlement Européen et du Conseil du 8 juin 2011 concernant la limitation d'usage de certaines substances dangereuses dans l'équipement électrique et électronique.
- (ES) Declaramos bajo nuestra exclusiva responsabilidad que este producto cumple con las siguientes normas y estándares de funcionamiento: se encuentra conforme con la Directiva 2011/65/UE del Parlamento Europeo y del Consejo de 8 de junio de 2011 sobre la restricción del uso de determinadas sustancias peligrosas en los equipos eléctricos y electrónicos.
- (IT) Dichiariamo, sotto la nostra responsabilità, che questo prodotto è conforme alle normative e ai regolamenti seguenti: è conforme alla Direttiva 2011/65/UE del Parlamento Europeo e del Consiglio dell'8 giugno 2011 sulla limitazione dell'uso di determinate sostanze pericolose nelle apparecchiature elettriche ed elettroniche.
- (SV) Vi garanterar på eget ansvar att denna produkt uppfyller och följer följande standarder och bestämmelser: uppfyller direktiv 2011/65/EU från Europeiska parlamentet och EG-rådet från den 8 juni 2011 om begränsningen av användning av farliga substanser i elektrisk och elektronisk utrustning.
- (DA) Vi erklærer under eget ansvar, at dette produkt er i overensstemmelse med følgende standarder og bestemmelser: er i overensstemmelse med direktiv 2011/65/EU fra Europa-Parlamentet og Rådet af 8. juni 2011 om begrænsning af anvendelsen af visse farlige stoffer i elektrisk og elektronisk udstyr.
- (PL) Deklarujemy na własną odpowiedzialność, że ten produkt spełnia wymogi zawarte w następujących normach i przepisach: jest zgodny z Dyrektywą 2011/65/UE Parlamentu Europejskiego i Rady z dnia 8 czerwca 2011 r. w sprawie ograniczenia stosowania niektórych niebezpiecznych substancji w sprzęcie elektrycznym i elektronicznym.
- (RO) Declărăm prin aceasta cu răspunderea deplină că produsul acesta este în conformitate cu următoarele standarde sau directive: este în conformitate cu Directiva 2011/65/UE a Parlamentului European și a Consiliului din 8 iunie 2011 cu privire la interzicerea utilizării anumitor substanțe periculoase la echipamentele electrice și electronice.
- (PT) Declaramos por nossa total responsabilidade-de que este produto está em conformidade e cumpre as normas e regulamentações que se seguem: está em conformidade com a Directiva 2011/65/UE do Parlamento Europeu e com o Conselho de 8 de Junho de 2011 no que respeita à restrição de utilização de determinadas substâncias perigosas existentes em equipamento eléctrico e electrónico.
- (HU) Felelősségünk teljes tudatában kijelentjük, hogy ez a termék teljes mértékben megfelel az alábbi szabványoknak és előírásoknak: je v souladu se směrnici 2011/65/EU Evropského parlamentu a Rady EU ze dne 8. června 2011, která se týká omezení použití určitých nebezpečných látek v elektrických a elektronických zařízeních.
- (CS) Na naši vlastní zodpovědnost prohlašujeme, že je tento výrobek v souladu s následujícími standardy a normami: Je v súlade s normou 2011/65/EÚ Európskeho parlamentu a Rady z 8. júna 2011 týkajúcej sa obmedzenia používania určitých nebezpečných látok v elektrickom a elektronickom vybavení.
- (TR) Tek sorumlusu biz olmak üzere bu ürünün Avrupa Parlamentosunun 2011/65/EU ve 8 Haziran 2011 tarihli konseyin elektrikli ve elektronik ekipmanlarda belirlenmiş tehlikeli malzeme kullanımının kısıtlanması hakkındaki talimatları ile birlikte aşağıda belirtilen standart ve yönergelere uygun ve uyumlu olduğunu beyan ederiz:

EN 60825-1, EN 61326-1, EN 61326-2-2, 2011/65/EU, 2014/30/EU

Zwolle, 01-02-2023

H.G.F Rosberg  
CEO

VONROC • Lingenstraat 6 • 8028 PM Zwolle • The Netherlands



**VONROC®**  
BUILD YOUR FUTURE

©2023 VONROC  
[WWW.VONROC.COM](http://WWW.VONROC.COM)

2302-09