



VONROC®

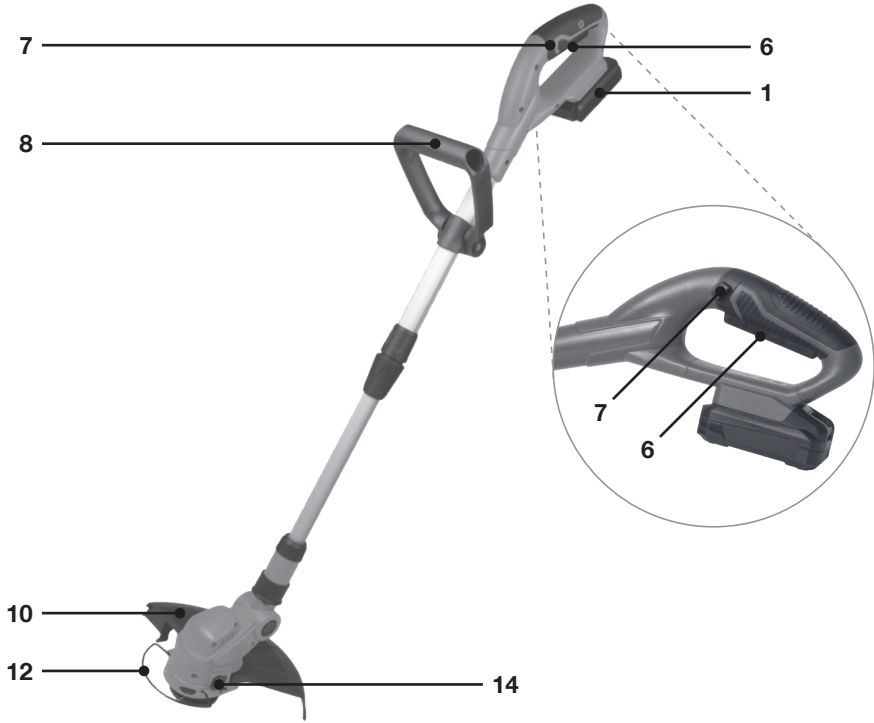
BUILD YOUR FUTURE

CORDLESS GRASS TRIMMER GT501DC / S_GT501DC S2_GT501DC / S3_GT501DC

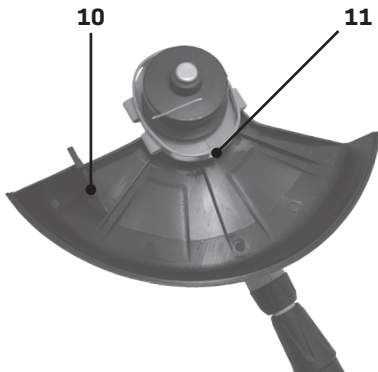


EN Original Instructions	06	DA Oversættelse af den originale brugsanvisning	62
DE Übersetzung Der Originalbetriebsanleitung	13	PL Tłumaczenie instrukcji oryginalnej	69
NL Vertaling van de oorspronkelijke gebruiksaanwijzing	22	RO Traducere a instrucțiunilor originale	78
FR Traduction de la notice originale	30	PT Tradução do manual original	86
ES Traducción del manual original	38	HU Az eredeti utasítások fordítása	94
IT Traduzione delle istruzioni originali	46	CS Překlad původního návodu	102
SV Översättning av bruksanvisning i original	55	BG Превод от оригиналните инструкции	110

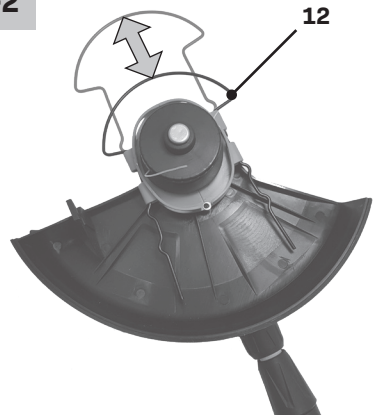
A

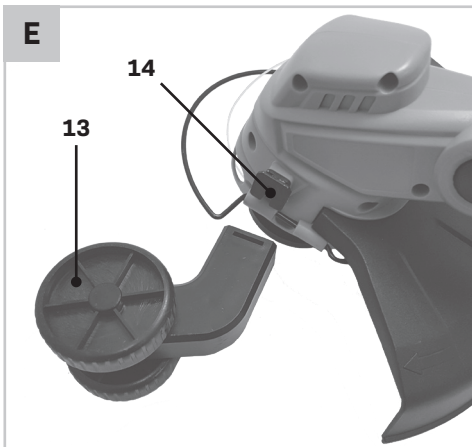
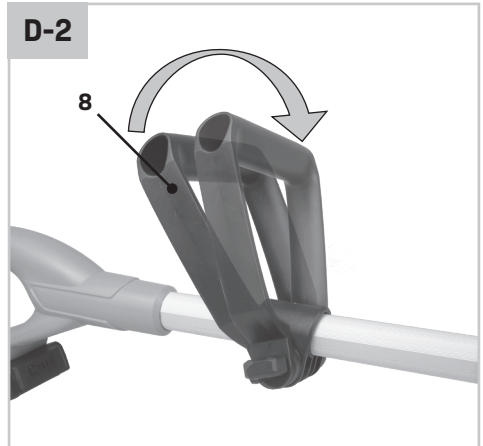
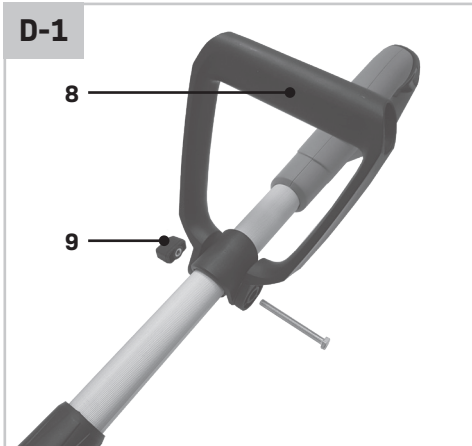
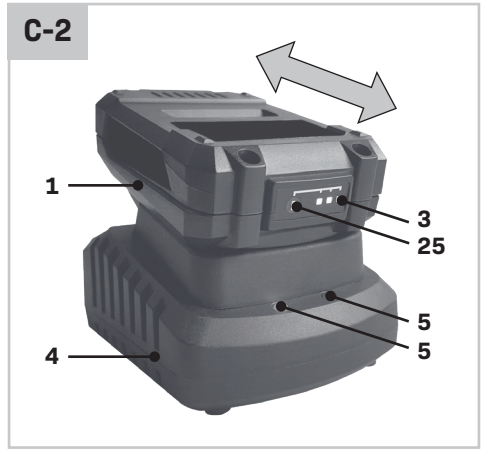
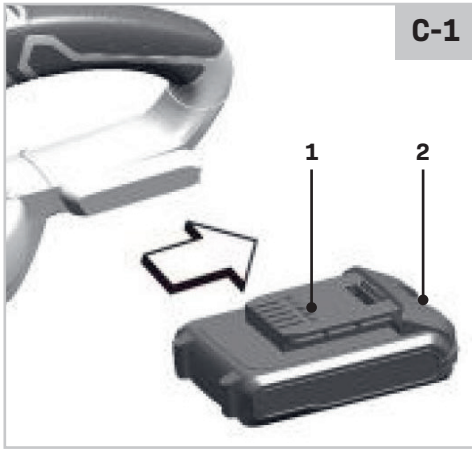


B-1

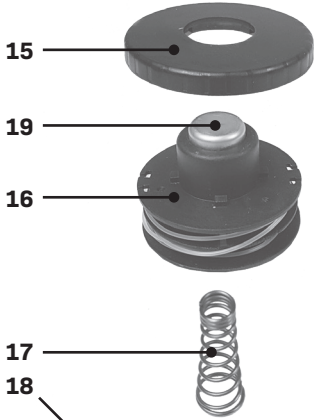


B-2





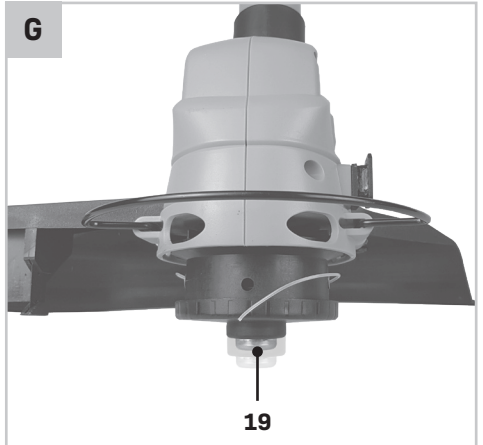
F-1



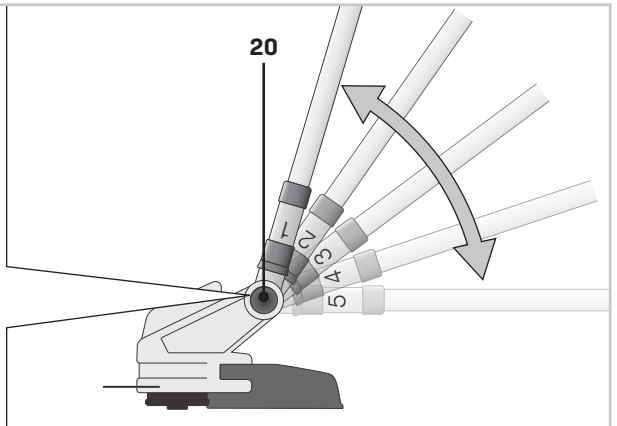
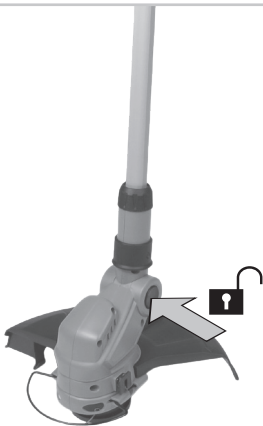
F-2

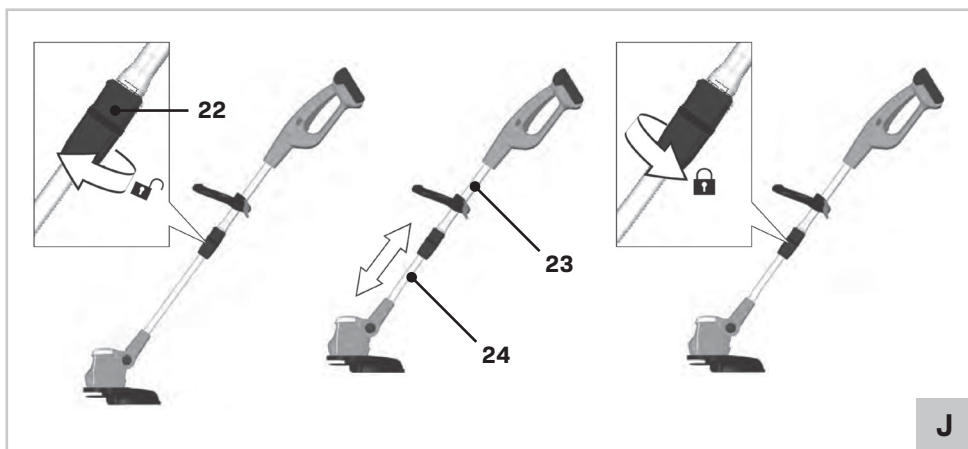
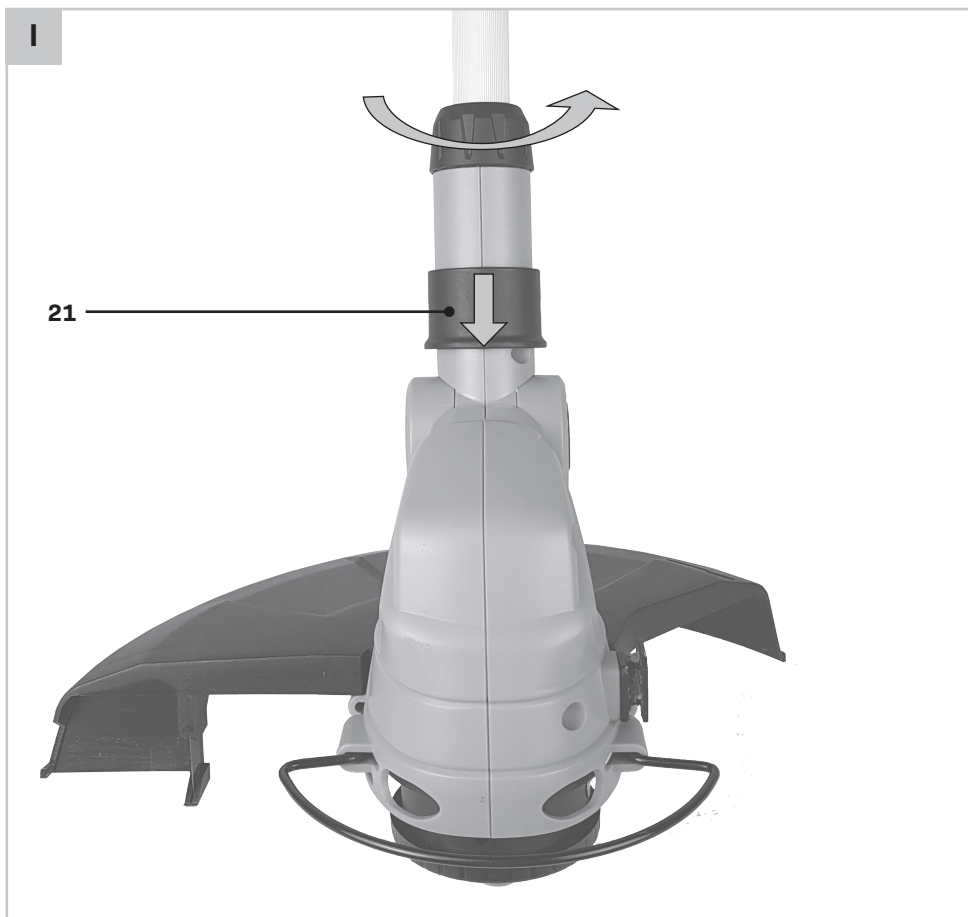


G



H





1. SAFETY INSTRUCTIONS

Read the enclosed safety warnings, the additional safety warnings and the instructions. Failure to follow the safety warnings and the instructions may result in electric shock, fire and/or serious injury. Save the safety warnings and the instructions for future reference.

The following symbols are used in the user manual or on the product:



Read the user manual.



Denotes risk of personal injury, loss of life or damage to the tool in case of non-observance of the instructions in this manual.



Risk of electric shock.



Wear hearing protection.



Wear eye protection.



Wear dusk mask.



Wear protection gloves.



Wear protection boots.



Do not expose to rain.



Class II machine - Double insulation - You don't need any earthed plug.



Time-lag miniature fuse-link.



Max temperature 45°C.



Do not throw the battery into fire.



Do not throw the battery into water.



Separate collection for Li-ion battery.



Do not dispose of the product in unsuitable containers.



The product is in accordance with the applicable safety standards in the European directives.



Before cleaning and maintenance, always switch off the machine and remove the battery pack from the machine.



The guaranteed sound power level
LWA = 96 dB(A)

GENERAL POWER TOOL SAFETY WARNINGS



WARNING! Read all safety warnings and all instructions. Failure to follow the warnings and instructions may result in electric shock, fire and/or serious injury.

Save all warnings and instructions for future reference.

The term "power tool" in the warnings refers to your mains-operated (corded) power tool or battery-operated (cordless) power tool.

1) Work area safety

- a) **Keep the work area clean and well lit.** Cluttered or dark areas invite accidents.
- b) **Do not operate power tools in explosive atmospheres, such as in the presence of flammable liquids, gases or dust.** Power tools create sparks which may ignite the dust or fumes.
- c) **Keep children and bystanders away while operating a power tool.** Distractions can cause you to lose control.

2) Electrical safety

- a) **Power tool plugs must match the outlet. Never modify the plug in any way. Do not use any adapter plugs with earthed (grounded) power tools.** Unmodified plugs and matching outlets will reduce risk of electric shock.
- b) **Avoid body contact with earthed or grounded surfaces, such as pipes, radiators, ranges and refrigerators.** There is an increased risk of electric shock if your body is earthed or grounded.
- c) **Do not expose power tools to rain or wet conditions.** Water entering a power tool will increase the risk of electric shock.
- d) **Do not abuse the cord. Never use the cord for carrying, pulling or unplugging the power tool. Keep cord away from heat, oil, sharp edges or moving parts.** Damaged or entangled cords increase the risk of electric shock.
- e) **When operating a power tool outdoors, use an extension cord suitable for outdoor use.** Use of a cord suitable for outdoor use reduces the risk

of electric shock.

- f) **If operating a power tool in a damp location is unavoidable, use a residual current device (RCD) protected supply.** Use of an RCD reduces the risk of electric shock.

3) Personal safety

- a) **Stay alert, watch what you are doing and use common sense when operating a power tool. Do not use a power tool while you are tired or under the influence of drugs, alcohol or medication.** A moment of inattention while operating power tools may result in serious personal injury.
- b) **Use personal protective equipment. Always wear eye protection.** Protective equipment such as dust mask, non-skid safety shoes, hard hat, or hearing protection used for appropriate conditions will reduce personal injuries.
- c) **Prevent unintentional starting. Ensure the switch is in the off-position before connecting to power source and/or battery pack, picking up or carrying the tool.** Carrying power tools with your finger on the switch or energising power tools that have the switch on invites accidents.
- d) **Remove any adjusting key or wrench before turning the power tool on.** A wrench or a key left attached to a rotating part of the power tool may result in personal injury.
- e) **Do not overreach. Keep proper footing and balance at all times.** This enables better control of the power tool in unexpected situations.
- f) **Dress properly. Do not wear loose clothing or jewellery. Keep your hair, clothing and gloves away from moving parts.** Loose clothes, jewellery or long hair can be caught in moving parts.
- g) **If devices are provided for the connection of dust extraction and collection facilities, ensure these are connected and properly used.** Use of dust collection can reduce dust related hazards.
- h) **Do not let familiarity gained from frequent use of tools allow you to become complacent and ignore tool safety principles.** A careless action can cause severe injury within a fraction of a second.

4) Power tool use and care

- a) **Do not force the power tool. Use the correct power tool for your application.** The correct power tool will do the job better and safer at the rate for which it was designed.
- b) **Do not use the power tool if the switch does not turn it on and off.** Any power tool that cannot

be controlled with the switch is dangerous and must be repaired.

- c) **Disconnect the plug from the power source and/or the battery pack from the power tool before making any adjustments, changing accessories, or storing power tools.** Such preventive safety measures reduce the risk of starting the power tool accidentally.
- d) **Store idle power tools out of the reach of children and do not allow persons unfamiliar with the power tool or these instructions to operate the power tool.** Power tools are dangerous in the hands of untrained users.
- e) **Maintain power tools. Check for misalignment or binding of moving parts, breakage of parts and any other condition that may affect the power tool's operation. If damaged, have the power tool repaired before use.** Many accidents are caused by poorly maintained power tools.
- f) **Keep cutting tools sharp and clean.** Properly maintained cutting tools with sharp cutting edges are less likely to bind and are easier to control.
- g) **Use the power tool, accessories and tool bits etc. in accordance with these instructions, taking into account the working conditions and the work to be performed.** Use of the power tool for operations different from those intended could result in a hazardous situation.
- h) **Keep handles and grasping surfaces dry, clean and free from oil and grease.** Slippery handles and grasping surfaces do not allow for safe handling and control of the tool in unexpected situations.

5) Battery tool use and care

- a) **Recharge only with the charger specified by the manufacturer.** A charger that is suitable for one type of battery pack may create a risk of fire when used with another battery pack.
- b) **Use power tools only with specifically designed battery packs.** Use of any other battery packs may create a risk of injury and fire.
- c) **When battery pack is not in use, keep it away from other metal objects, like paper clips, coins, keys, nails, screws or other small metal objects that can make a connection from one terminal to another.** Shorting the battery terminals together may cause burns or a fire.
- d) **Under abusive conditions, liquid may be ejected from the battery; avoid contact. If contact accidentally occurs, flush with water. If liquid**

contacts eyes, additionally seek medical help.

Liquid ejected from the battery may cause irritation or burns.

- e) **Do not use a battery pack or tool that is damaged or modified.** Damaged or modified batteries may exhibit unpredictable behaviour resulting in fire, explosion or risk of injury.
 - f) **Do not expose a battery pack or tool to fire or excessive temperature.** Exposure to fire or temperature above 130 °C may cause explosion. NOTE The temperature „130 °C“ can be replaced by the temperature „265 °F“.
 - g) **Follow all charging instructions and do not charge the battery pack or tool outside the temperature range specified in the instructions.** Charging improperly or at temperatures outside the specified range may damage the battery and increase the risk of fire.
- 6) Service**
- a) **Have your power tool serviced by a qualified repair person using only identical replacement parts.** This will ensure that the safety of the power tool is maintained.
 - b) **Never service damaged battery packs.** Service of battery packs should only be performed by the manufacturer or authorized service providers.

ADDITIONAL SAFETY INSTRUCTION CORDLESS GRASS TRIMMER

- Never allow children or people unfamiliar with these instructions to use the trimmer. Local regulations may restrict the age of the operator. When not in use, store the trimmer out of reach of children.
- Never operate the trimmer with missing or broken guards or shields or without guards or shields in position.
- Before using the machine and after impact, check for signs of wear or damage and repair if necessary.
- Never operate the product when you are tired, ill or under the influence of alcohol, drugs or medicine.
- Always wear long heavy trousers, boots and gloves. Do not wear loose clothing, jewellery, short trousers, sandals and never work barefoot.
- Wear safety eye protection and ear defenders when operating the machine.
- Keep firm footing and balance. Do not overreach.
- Never work with this trimmer while people,

especially children or pets are nearby.

- Wait until the spool line has completely stopped before touching it. The spool line continues to rotate after the trimmer is switched off; a rotating wire can cause injury.
- Work only in daylight or in good artificial light
- Avoid operating the trimmer in bad weather conditions especially when there is a risk of lightning.
- Operating the trimmer in wet grass decreases the efficiency of performance.
- Switch off when transporting the trimmer to and from the area to be worked on.
- Switch on the motor only when the hands and feet are away from the cutting means.
- Do not put hands or feet near the cutting system.
- Remove battery before spool change.
- Never fit metal cutting elements to this trimmer.
- Inspect and maintain the trimmer regularly.
- Have the trimmer repaired only by an authorized customer service agent.
- Always ensure that the ventilation slots are kept clear of debris.
- Remove the battery:
 - *whenever you leave the machine unattended for any period of time*
 - *before replacing the wire*
 - *before cleaning or working on the trimmer*
- Store the machine in a secure, dry place out of the reach of children. Do not place other objects on top of the machine.
- Do not operate the machine without the wire attachment fitted.

SAFETY WARNINGS FOR BATTERY

- a) **Do not open the battery.** Danger of shortcircuiting.
- b) **Protect the battery against heat, e. g., against continuous intense sunlight, fire, water, and moisture.** Danger of explosion.
- c) **In case of damage and improper use of the battery, vapours may be emitted. Ventilate the area and seek medical help in case of complaints.** The vapours can irritate the respiratory system.
- d) **Use the battery only in conjunction with your Vonroc product.** This measure alone protects the battery against dangerous overload.
- e) **The battery can be damaged by pointed objects such as nails or screwdrivers or by force applied externally.** An internal short circuit can occur and the battery can burn, smoke, explode or overheat.

SAFETY WARNINGS FOR CHARGER

Intended use

Charge only CD801AA and CD803AA type rechargeable Battery packs with the charger. Other types of batteries may burst causing personal injury and damage.

- a) **The appliance is not to be used by persons (including children) with reduced physical, sensory or mental capabilities, or lack of experience and knowledge, unless they have been given supervision or instruction.**
- b) **Children being supervised not to play with the appliance.**
- c) **Do not recharging non-rechargeable batteries!**
- d) **During charging, batteries must be placed in the well ventilated area!**

2. MACHINE INFORMATION

Intended use

The grass trimmer is developed for cutting of grass and weeds, under bushes as well as on slopes. The grass trimmer is ideal for cutting edges that cannot be reached with the lawn mower.

Intended use is related to operation within 0°C and 45°C ambient temperature. Do not use this machine in the rain.

TECHNICAL SPECIFICATIONS



This manual has been drawn up for different sets / article numbers. Check the corresponding article number in below specifications table for the correct composition and contents of your set.

Model No.	Batteries included	Chargers included
GT501DC	-	-
S_GT501DC	CD801AA	CD802AA
S2_GT501DC	2 x CD801AA	CD802AA
S3_GT501DC	CD803AA	CD802AA

Machine information	
Voltage	20V
Telescopic pole	420-700 mm
Pole angle adjustment	0° - 90°
Head adjustable	0° - 90°
No load speed	8.000/min
Cutting diameter	250 mm
Cutting system	2 line wire spool, Tap and go Ø1.2mm x 8m
Weight (excl battery)	2.1 kg
Sound pressure level LPA	71.2 dB(A) K=3 dB(A)
Sound power level LWA	88.2 dB(A) K=3 dB(A)
Vibration value	6.918 m/s ² K=1.5 m/s ²

Model No.	CD801AA
Battery Type	Lithium-Ion
Voltage	20V
Capacity	2.0 Ah
Recommended charger	CD802AA
Weight	0.3 kg

Model No.	CD802AA
Charger input	220-240V, 50Hz 0.4A
Charger output	21V 2.5A
Charging time 2Ah battery	60 minutes
Charging time 4Ah battery	120 minutes
Recommended batteries	CD801AA, CD803AA
Weight	0.36 kg

Model No.	CD803AA
Battery Type	Lithium-Ion
Voltage	20V
Capacity	4.0 Ah
Recommended charger	CD802AA
Weight	0.65 kg

*Guaranteed value according to the noise directive:
LwA 96db(A)*

Only use the following batteries of the VONROC VPOWER 20V battery platform. Using any other batteries could cause serious injury or damage the tool.

CD801AA	20V, 2Ah Lithium-Ion
CD803AA	20V, 4Ah Lithium-Ion

The following charger of the can be used to charge these batteries.

CD802AA Quick charger

The batteries of the VONROC VPOWER 20V battery platform are interchangeable with all the VONROC VPOWER 20V battery platform tools.

Vibration level

The vibration emission level stated in this instruction manual has been measured in accordance with a standardized test given in EN 50636-2-91; it may be used to compare one tool with another and as a preliminary assessment of exposure to vibration when using the tool for the applications mentioned.

- Using the tool for different applications, or with different or poorly maintained accessories, may significantly increase the exposure level.
- The times when the tool is switched off or when it is running but not actually doing the job, may significantly reduce the exposure level.

Protect yourself against the effects of vibration by maintaining the tool and its accessories, keeping your hands warm, and organizing your work patterns.

DESCRIPTION

The numbers in the text refer to the diagrams on pages 2-5.

1. Battery
2. Battery unlock button
3. Battery charge indication
4. Charger
5. Charger LED indicators
6. On/off switch
7. Safety switch
8. Front handle
9. Front handle knob
10. Protection guard
11. Screw
12. Guardrail
13. Side wheel
14. Side wheel holder
15. Spool cover
16. Spool reel

17. Spool spring
18. Spool housing
19. Tip spool reel
20. Adjustment knob trimmer head
21. Adjustment ring trimmer head
22. Lower adjustment ring
23. Upper shaft
24. Lower shaft
25. Battery LED indicators button

3. ASSEMBLY



Before any work on the power tool, remove the battery.



Warning! Do not use the grass trimmer without the protection guard.



The machine must be charged before first use.

Inserting the battery into the machine (Fig. C1)



Ensure that the exterior of the battery is clean and dry before connecting to the charger or machine.

1. Insert the battery (1) into the base of the machine as shown in Fig. C1.
2. Push the battery further forward until it clicks into place.

Removing the battery from the machine (Fig. C1)

1. Push the battery unlock button (2).
2. Pull the battery out of the machine like shown in Fig. C1.

Checking the battery charging status (Fig. C2)

- To check the battery charge status, push the button (25) on battery shortly.
- The battery has 3 lights indicating the charge level, the more lights that burn, the more charge the battery has left.
- When the lights are not burning it means the battery is empty and must be charged immediately.

Charging the battery with the charger (Fig. C2)

1. Take the battery (1) from the machine.
2. Turn the battery (1) to upside down position and slide it onto the charger (4) as shown in Fig. C2.
3. Push the battery until it is fully pushed into the slot.


4. Plug the charger plug into an electrical outlet and wait for a while. The LED indicators on the charger (5) will lighten up and show the charger status.

The charger has 2 LED indicators (5) which indicate the status of the charging process:

Red LED Status	Green LED status	Charger status
Off	Off	No power
Off	On	Standby mode: - No battery is inserted or, - Battery inserted but charging has finished
On	Off	Battery charging in progress

- Fully charging the 2Ah battery may take up to 60 minutes.
- Fully charging the 4Ah battery may take up to 120 minutes.

After the battery is fully charged remove the charger plug from the outlet and remove the battery from the charger.

 *When the machine is not being used over a longer period of time it is best to store the battery in charged condition.*

Mounting the Protection guard (Fig. B1)

- Fit the protection guard (10) onto the trimmer head housing.
- Secure the guard using the screw (11) delivered.

Mounting the guardrail (Fig. B2)


- Squeeze the ends of the guardrail (12) together and slide into the holes of the trimmer head housing
- The guardrail can be set in different protection distances. To adjust the rail, simply press or pull the rail.

Mounting the front handle (Fig. D1)

- Place the handle (8) on the holder mounted on the upper shaft.
- Fit the bolt in the hexagon hole and mount the knob (9) onto the bolt.

Adjusting the front handle (Fig. D2)


- Unscrew the knob (9) slightly and press or pull the front handle (8) in to desirable position. This can either be down or upwards and rotatable around upper shaft.

 *When using the machine sideways always use the sidewheel.*

Mounting of the side wheel (Fig. E)

- Slide side wheel (13) over the side wheel holder (14).

Mounting the wire spool (Fig. F1)

 *Before replacing the spool clean the machine from any dirt.*

- Place the spring (17) into the spool housing (18). Make sure the wider side of the spring is placed on the trimmer head.
- Place the spool reel (16) over the spring (17). Make sure the wires are passed through the holes inside the housing (18). (Fig. F2)
- Cover the spool reel with the spool cover (15) and fasten it by turning the cover tightly.

Replacing the spool (Fig. F1)

- Remove the spool cover (15).
- Take out the spool reel (16) but leave the spring (17) inside.
- Take the new spool reel (GT801AA) and place it over the spring (17). Make sure the wires are passed through the holes inside the housing (18). (Fig. F2)
- Cover the new spool reel with the spool cover (15) and fasten it by turning the cover tightly.

4. OPERATION

Using the tap and go system (Fig. G)

- When the wire is too short, switch the machine on and press the tip of the spool reel (19) on the ground (make sure this is done on a hard surface).
- This will release the wire in order to get longer.
- The wire will be cut on the correct length automatically by the blade mounted in the protection guard (10).

Tilting the trimmer head (Fig. H)

Please keep power switched off and disconnect the battery.

- Press the knob (20) of the trimmer head to tilt the head in the desired position.
- When knob is released, the head will click and lock in the chosen position.

Turning the trimmer head (Fig. I)

- Press the ring (21) down towards the trimmer head to turn the head in the desired position.
- When the ring is released, the head will click and lock in the chosen position.

Adjusting the pole height (Fig. J)

- To adjust the height of the machine, loosen the lower adjustment ring (22).
- Carefully push the lower shaft (24) from the upper shaft (23) down or upwards.
- Fasten the lower adjustment ring (22) to secure the height of the machine.

Using your grass trimmer

Before use, always visually inspect the machine and its parts are correctly mounted, not worn out or damaged.

- For your own safety and for best results read the following user advice and do not use this product for anything other than its intended purpose.
- This grass trimmer is made for cutting grass. All other use that is not specifically allowed in this manual may lead to damage to the grass trimmer or injury to the user.

Safety features

- The protection guard has a knife for cutting the wire to the correct length. Do not touch the knife to reduce the chance of injury to the user.
- The on/off switch (6) and safety switch (7) must be operated together to start the motor. If pressure on one of two switches is released, the tool is designed to stop rapidly.

Switching On and Off

- To switch the trimmer on, press the safety switch (7) and the start on/off switch (6) at the same time.
- To switch off, release one or both switches.

5. MAINTENANCE

Before cleaning and maintenance, always switch off the machine and remove the battery pack from the machine.

Clean the machine casings regularly with a soft cloth, preferably after each use. Make sure that the ventilation openings are free of dust and dirt. Remove very persistent dirt using a soft cloth moistened with soapsuds. Do not use any solvents such as gasoline, alcohol, ammonia, etc. Chemicals such as these will damage the synthetic components.

ENVIRONMENT

Faulty and/or discarded electrical or electronic apparatus have to be collected at the appropriate recycling locations.

Only for EC countries

Do not dispose of power tools into domestic waste. According to the European Guideline 2012/19/EC for Waste Electrical and Electronic Equipment and its implementation into national right, power tools that are no longer usable must be collected separately and disposed of in an environmentally friendly way.

WARRANTY

VONROC products are developed to the highest quality standards and are guaranteed free of defects in both materials and workmanship for the period lawfully stipulated starting from the date of original purchase. Should the product develop any failure during this period due to defective material and/or workmanship then contact VONROC directly.

The following circumstances are excluded from this guarantee:

- Repairs and or alterations have been made or attempted to the machine by unauthorized service centers;
- Normal wear and tear;
- The tool has been abused, misused or improperly maintained;
- Non-original spare parts have been used.

This constitutes the sole warranty made by company either expressed or implied. There are no other warranties expressed or implied which extend

beyond the face hereof, herein, including the implied warranties of merchantability and fitness for a particular purpose. In no event shall VONROC be liable for any incidental or consequential damages. The dealers remedies shall be limited to repair or replacement of nonconforming units or parts.

The product and the user manual are subject to change. Specifications can be changed without further notice.

1. SICHERHEITSANWEISUNGEN

Lesen Sie die beiliegenden Sicherheitsanweisungen, die zusätzlichen Sicherheitsanweisungen sowie diese Bedienungsanleitung sorgfältig durch. Bei Nichtbeachten der Sicherheitsanweisungen und der Bedienungsanleitung kann es zu einem Stromschlag, einem Brand und/oder schweren Verletzungen kommen. Bewahren Sie die Sicherheitsanweisungen und die Bedienungsanleitung zur künftigen Bezugnahme sicher auf.

Folgende Symbole werden im Benutzerhandbuch oder auf dem Produkt verwendet:



Lesen Sie das Benutzerhandbuch.



Bedeutet, dass bei Nichtbeachtung der Anweisungen in dieser Anleitung Verletzungen, Tod oder Beschädigung des Werkzeugs die Folge sein können.



Stromschlagrisiko.



Gehörschutz tragen.



Schutzbrille tragen!



Staubmaske tragen.



Schutzhandschuhe tragen.



Schutzgamaschen tragen.



Nicht Regen aussetzen.



Werkzeug/Gerät der Schutzklasse II - schutzisoliert - kein Schutzkontaktanschluss erforderlich.



Sicherungseinsatz für träge Sicherungen.



Höchsttemperatur 45°C.



Batterien/Akkus nicht in offene Feuer werfen.



Batterien/Akkus nicht ins Wasser werfen.



Der Li-Ionen-Akku muss separat der Wertstoffsammlung zugeführt werden.



Das Produkt nicht in ungeeigneten Behältern entsorgen.



Das Produkt entspricht den geltenden Sicherheitsstandards in den europäischen Richtlinien.



Vor dem Beginn von Reinigungs- und Wartungsarbeiten immer erst die Maschine ausschalten und den Akku entfernen.



Garantierter Schalleistungspegel
LWA = 96 dB(A)

ALLGEMEINE SICHERHEITSHINWEISE



WARNUNG Lesen Sie alle Sicherheitshinweise, Anweisungen, Bebilderungen und technischen Daten, mit denen dieses Elektrowerkzeug versehen ist. Versäumnisse bei der Einhaltung der nachfolgenden Anweisungen können elektrischen Schlag, Brand und/oder schwere Verletzungen verursachen.

Bewahren Sie alle Sicherheitshinweise und Anweisungen für die Zukunft auf.

Der in den Sicherheitshinweisen verwendete Begriff „Elektrowerkzeug“ bezieht sich auf netzbetriebene Elektrowerkzeuge (mit Netzleitung) oder auf akkubetriebene Elektrowerkzeuge (ohne Netzleitung).

1) Arbeitsplatzsicherheit

- a) Halten Sie Ihren Arbeitsbereich sauber und gut beleuchtet. Unordnung oder unbeleuchtete Arbeitsbereiche können zu Unfällen führen.
- b) Arbeiten Sie mit dem Elektrowerkzeug nicht in explosionsgefährdeter Umgebung, in der sich brennbare Flüssigkeiten, Gase oder Stäube befinden. Elektrowerkzeuge erzeugen Funken, die den Staub oder die Dämpfe entzünden können.
- c) Halten Sie Kinder und andere Personen während der Benutzung des Elektrowerkzeugs fern. Bei Ablenkung können Sie die Kontrolle über das Elektrowerkzeug verlieren.

2) Elektrische Sicherheit

- a) Der Anschlussstecker des Elektrowerkzeugs muss in die Steckdose passen. Der Stecker darf in keiner Weise verändert werden. Verwenden Sie keine Adapterstecker gemeinsam mit schutzgeerdeten Elektrowerkzeugen. Unverän-

derte Stecker und passende Steckdosen verringern das Risiko eines elektrischen Schlages.

- b) Vermeiden Sie Körperkontakt mit geerdeten Oberflächen wie von Rohren, Heizungen, Herden und Kühlschränken. Es besteht ein erhöhtes Risiko durch elektrischen Schlag, wenn Ihr Körper geerdet ist.
 - c) Halten Sie Elektrowerkzeuge von Regen oder Nässe fern. Das Eindringen von Wasser in ein Elektrowerkzeug erhöht das Risiko eines elektrischen Schlages.
 - d) Zweckentfremden Sie die Anschlussleitung nicht, um das Elektrowerkzeug zu tragen, aufzuhängen oder um den Stecker aus der Steckdose zu ziehen. Halten Sie die Anschlussleitung fern von Hitze, Öl, scharfen Kanten oder sich bewegenden Teilen. Beschädigte oder verwickelte Anschlussleitungen erhöhen das Risiko eines elektrischen Schlages.
 - e) Wenn Sie mit einem Elektrowerkzeug im Freien arbeiten, verwenden Sie nur Verlängerungsleitungen, die auch für den Außenbereich geeignet sind. Die Anwendung einer für den Außenbereich geeigneten Verlängerungsleitung verringert das Risiko eines elektrischen Schlages.
 - f) Wenn der Betrieb des Elektrowerkzeugs in feuchter Umgebung nicht vermeidbar ist, verwenden Sie einen Fehlerstromschutzschalter. Der Einsatz eines Fehlerstromschutzschalters vermindert das Risiko eines elektrischen Schlages.
- #### 3) Sicherheit von Personen
- a) Seien Sie aufmerksam, achten Sie darauf, was Sie tun, und gehen Sie mit Vernunft an die Arbeit mit einem Elektrowerkzeug. Benutzen Sie kein Elektrowerkzeug, wenn Sie müde sind oder unter dem Einfluss von Drogen, Alkohol oder Medikamenten stehen. Ein Moment der Unachtsamkeit beim Gebrauch des Elektrowerkzeugs kann zu ernsthaften Verletzungen führen.
 - b) Tragen Sie persönliche Schutzausrüstung und immer eine Schutzbrille. Das Tragen persönlicher Schutzausrüstung, wie Staubmaske, rutschfeste Sicherheitsschuhe, Schutzhelm oder Gehörschutz, je nach Art und Einsatz des Elektrowerkzeugs, verringert das Risiko von Verletzungen.
 - c) Vermeiden Sie eine unbeabsichtigte Inbetriebnahme. Vergewissern Sie sich, dass das Elektrowerkzeug ausgeschaltet ist, bevor Sie es an die Stromversorgung und/oder den Akku anschließen, es aufnehmen oder tragen. Wenn

- Sie beim Tragen des Elektrowerkzeugs den Finger am Schalter haben oder das Elektrowerkzeug eingeschaltet an die Stromversorgung anschließen, kann dies zu Unfällen führen.
- d) Entfernen Sie Einstellwerkzeuge oder Schraubenschlüssel, bevor Sie das Elektrowerkzeug einschalten.** Ein Werkzeug oder Schlüssel, der sich in einem drehenden Teil des Elektrowerkzeugs befindet, kann zu Verletzungen führen.
- e) Vermeiden Sie eine abnormale Körperhaltung. Sorgen Sie für einen sicheren Stand und halten Sie jederzeit das Gleichgewicht.** Dadurch können Sie das Elektrowerkzeug in unerwarteten Situationen besser kontrollieren.
- f) Tragen Sie geeignete Kleidung. Tragen Sie keine weite Kleidung oder Schmuck. Halten Sie Haare und Kleidung fern von sich bewegenden Teilen.** Lockere Kleidung, Schmuck oder lange Haare können von sich bewegenden Teilen erfasst werden.
- g) Wenn Staubabsaug- und -auffangeinrichtungen montiert werden können, sind diese anzuschließen und richtig zu verwenden.** Verwendung einer Staubabsaugung kann Gefährdungen durch Staub verringern.
- h) Wiegen Sie sich nicht in falscher Sicherheit und setzen Sie sich nicht über die Sicherheitsregeln für Elektrowerkzeuge hinweg, auch wenn Sie nach vielfachem Gebrauch mit dem Elektrowerkzeug vertraut sind.** Achtloses Handeln kann binnen Sekundenbruchteilen zu schweren Verletzungen führen.
- 4) Verwendung und Behandlung des Elektrowerkzeugs**
- a) Überlasten Sie das Elektrowerkzeug nicht. Verwenden Sie für Ihre Arbeit das dafür bestimmte Elektrowerkzeug.** Mit dem passenden Elektrowerkzeug arbeiten Sie besser und sicherer im angegebenen Leistungsbereich.
- b) Benutzen Sie kein Elektrowerkzeug, dessen Schalter defekt ist.** Ein Elektrowerkzeug, das sich nicht mehr ein- oder ausschalten lässt, ist gefährlich und muss repariert werden.
- c) Ziehen Sie den Stecker aus der Steckdose und/oder entfernen Sie einen abnehmbaren Akku, bevor Sie Geräteeinstellungen vornehmen, Einsatzwerkzeugteile wechseln oder das Elektrowerkzeug weglegen.** Diese Vorsichtsmaßnahme verhindert den unbeabsichtigten Start des Elektrowerkzeugs.
- d) Bewahren Sie unbenutzte Elektrowerkzeuge außerhalb der Reichweite von Kindern auf. Lassen Sie keine Personen das Elektrowerkzeug benutzen, die mit diesem nicht vertraut sind oder diese Anweisungen nicht gelesen haben.** Elektrowerkzeuge sind gefährlich, wenn sie von unerfahrenen Personen benutzt werden.
- e) Pflegen Sie Elektrowerkzeuge und Einsatzwerkzeug mit Sorgfalt. Kontrollieren Sie, ob bewegliche Teile einwandfrei funktionieren und nicht klemmen, ob Teile gebrochen oder so beschädigt sind, dass die Funktion des Elektrowerkzeugs beeinträchtigt ist. Lassen Sie beschädigte Teile vor dem Einsatz des Elektrowerkzeugs reparieren.** Viele Unfälle haben ihre Ursache in schlecht gewarteten Elektrowerkzeugen.
- f) Halten Sie Schneidwerkzeuge scharf und sauber.** Sorgfältig gepflegte Schneidwerkzeuge mit scharfen Schneidkanten verklemmen sich weniger und sind leichter zu führen.
- g) Verwenden Sie Elektrowerkzeug, Zubehör, Einsatzwerkzeuge usw. entsprechend diesen Anweisungen. Berücksichtigen Sie dabei die Arbeitsbedingungen und die auszuführende Tätigkeit.** Der Gebrauch von Elektrowerkzeugen für andere als die vorgesehenen Anwendungen kann zu gefährlichen Situationen führen.
- h) Halten Sie Griffe und Griffflächen trocken, sauber und frei von Öl und Fett.** Rutschige Griffe und Griffflächen erlauben keine sichere Bedienung und Kontrolle des Elektrowerkzeugs in unvorhergesehenen Situationen.
- 5) Verwendung und Behandlung des Akkuwerkzeugs**
- a) Laden Sie die Akkus nur mit Ladegeräten auf, die vom Hersteller empfohlen werden.** Durch ein Ladegerät, das für eine bestimmte Art von Akkus geeignet ist, besteht Brandgefahr, wenn es mit anderen Akkus verwendet wird.
- b) Verwenden Sie nur die dafür vorgesehenen Akkus in den Elektrowerkzeugen.** Der Gebrauch von anderen Akkus kann zu Verletzungen und Brandgefahr führen.
- c) Halten Sie den nicht benutzten Akku fern von Büroklammern, Münzen, Schlüsseln, Nägeln, Schrauben oder anderen kleinen Metallgegenständen, die eine Überbrückung der Kontakte verursachen könnten.** Ein Kurzschluss zwischen den Akkukontakten kann Verbrennungen oder Feuer zur Folge haben.

- d) **Bei falscher Anwendung kann Flüssigkeit aus dem Akku austreten. Vermeiden Sie den Kontakt damit. Bei zufälligem Kontakt mit Wasser abspülen. Wenn die Flüssigkeit in die Augen kommt, nehmen Sie zusätzlich ärztliche Hilfe in Anspruch.** Austretende Akkuflüssigkeit kann zu Hautreizungen oder Verbrennungen führen.
- e) **Benutzen Sie keinen beschädigten oder veränderten Akku.** Beschädigte oder veränderte Akkus können sich unvorhersehbar verhalten und zu Feuer, Explosion oder Verletzungsgefahr führen.
- f) **Setzen Sie einen Akku keinem Feuer oder zu hohen Temperaturen aus.** Feuer oder Temperaturen über 130 °C können eine Explosion hervorrufen.
- g) **Befolgen Sie alle Anweisungen zum Laden und laden Sie den Akku oder das Akkuwerkzeug niemals außerhalb des in der Betriebsanleitung angegebenen Temperaturbereichs.** Falsches Laden oder Laden außerhalb des zugelassenen Temperaturbereichs kann den Akku zerstören und die Brandgefahr erhöhen.
- 6) **Service**
- a) **Lassen Sie Ihr Elektrowerkzeug nur von qualifiziertem Fachpersonal und nur mit Original-Ersatzteilen reparieren.** Damit wird sichergestellt, dass die Sicherheit des Elektrowerkzeugs erhalten bleibt.
- b) **Warten Sie niemals beschädigte Akkus.** Sämtliche Wartung von Akkus sollte nur durch den Hersteller oder bevollmächtigte Kundendienststellen erfolgen.

ZUSÄTZLICHE SICHERHEITSANWEISUNG FÜR AKKU-RASENTRIMMER

- Niemals Kindern oder Leuten, die nicht mit diesen Anweisungen vertraut sind, den Umgang mit diesem Rasentrimmer erlauben. Örtliche Vorschriften können das Alter des Betreibers einschränken. Den Trimmer außerhalb der Reichweite von Kindern lagern, wenn er nicht in Gebrauch ist.
- Betreiben Sie den Trimmer niemals mit fehlenden oder beschädigten Schutzvorrichtungen oder Schilden oder ohne korrekt angebrachte Schutzvorrichtungen oder Schilde.
- Vor der Benutzung der Maschine und nach einem Aufprall auf Gegenstände ist diese auf Anzeichen von Verschleiß oder Beschädigung zu prüfen und ggf. zu reparieren.
- Das Gerät niemals verwenden, wenn Sie müde oder krank sind oder unter Einfluss von Alkohol, Drogen oder Medikamenten stehen.
- Stets lange, feste Hosen, Stiefel und Handschuhe tragen. Keine weite Kleidung, Schmuck, kurze Hosen, Sandalen tragen und niemals barfuß arbeiten.
- Beim Betrieb der Maschine Schutzbrille und Gehörschutz tragen.
- Immer auf Standfestigkeit und Gleichgewicht achten. Keine anormale Arbeitshaltung einnehmen.
- Den Trimmer nie verwenden, wenn Menschen, insbesondere Kinder oder Haustiere, in der Nähe sind.
- Warten Sie, bis der Spulenfaden vollständig zum Stillstand gekommen ist, bevor Sie ihn berühren. Der Spulenfaden dreht sich auch nach dem Ausschalten des Trimmers weiter; ein rotierender Faden kann Verletzungen verursachen.
- Arbeiten Sie nur bei Tageslicht oder bei guter künstlicher Beleuchtung.
- Vermeiden Sie den Betrieb des Trimmers bei schlechten Wetterbedingungen, insbesondere wenn Gewittergefahr besteht.
- Der Betrieb des Trimmers im nassen Gras verringert seine Effizienz.
- Schalten Sie den Trimmer aus, wenn Sie ihn zu und aus dem zu bearbeitenden Bereich transportieren.
- Schalten Sie den Motor erst ein, wenn die Hände und Füße nicht mehr im Schneidfadenbereich sind.
- Bringen Sie Hände oder Füße nicht in die Nähe des Schneidfadens.
- Entfernen Sie vor dem Spulenwechsel den Akku.
- Bringen Sie niemals Schneideelemente aus Metall an diesen Trimmer an.
- Den Trimmer regelmäßig prüfen und warten.
- Lassen Sie den Trimmer nur von einer autorisierten Kundendienststelle reparieren.
- Achten Sie stets darauf, dass die Lüftungsschlitze frei von Verschmutzungen sind.
- Entfernen Sie den Akku:
 - *wenn Sie das Gerät für einige Zeit unbeaufsichtigt lassen;*
 - *bevor der Faden ersetzt wird;*
 - *vor dem Reinigen oder der Arbeit an dem Gerät.*
- Bewahren Sie das Gerät an einem sicheren, trockenen Ort und außerhalb der Reichweite von Kindern auf. Keine anderen Gegenstände auf dem Gerät ablegen.
- Betreiben Sie das Gerät nicht ohne montierte Fadenhalterung.

SICHERHEITSHINWEISE FÜR AKKU

- a) **Öffnen Sie den Akku nicht.** Es besteht die Gefahr eines Kurzschlusses.
- b) **Schützen Sie den Akku vor Hitze, z. B. auch vor dauernder Sonneneinstrahlung, Feuer, Wasser und Feuchtigkeit.** Es besteht Explosionsgefahr.
- c) **Bei Beschädigung und unsachgemäßem Gebrauch des Akkus können Dämpfe austreten. Führen Sie Frischluft zu und suchen Sie bei Beschwerden einen Arzt auf.** Die Dämpfe können die Atemwege reizen.
- d) **Verwenden Sie den Akku nur in Verbindung mit Ihrem Vonroc Produkt.** Nur so wird der Akku vor gefährlicher Überlastung geschützt.
- e) **Durch spitze Gegenstände wie z. B. Nagel oder Schrau benzieher oder durch äußere Kräfteinwirkung kann der Akku beschädigt werden.** Es kann zu einem internen Kurzschluss kommen und der Akku brennen, rauchen, explodieren oder überhitzen.

SICHERHEITSHINWEISE FÜR DAS LADEGERÄT
Verwendungszweck

Nur für das Laden von wiederaufladbaren Li-Ionen-Akkus des Typs CD801AA und CD803AA geeignet. Andere Arten von Akkus können platzen und zu Verletzungen und Schäden führen.

- a) **Das Gerät darf nicht von Personen (einschließlich Kindern) mit eingeschränkten körperlichen, sensorischen bzw. geistigen Fähigkeiten, mangelnder Erfahrung bzw. fehlendem Wissen verwendet werden, wenn diese nicht beaufsichtigt werden oder eine Einweisung erhalten haben.**
- b) **Kinder sollten beaufsichtigt werden, um sicherzustellen, dass sie nicht mit dem Gerät spielen.**
- c) **Nicht wiederaufladbare Batterien dürfen nicht aufgeladen werden!**
- d) **Während des Ladens müssen sich die Akkus in einem gut belüfteten Raum befinden!**

2. MASCHINENDATEN

Verwendungszweck

Der Rasentrimmer wurde zum Schneiden von Gras und Unkraut entwickelt, auch unter Büschen und an Hängen. Der Rasentrimmer ist ideal für Schnittkanten, die mit dem Rasenmäher nicht erreichbar sind. Der Verwendungszweck bezieht sich auf den Betrieb innerhalb von 0°C bis 45°C Umgebungstemperatur. Verwenden Sie dieses Gerät nicht im Regen.

TECHNISCHE DATEN




Dieses Handbuch wurde für unterschiedliche Sets / Artikelnummern erstellt. Achten Sie in der Spezifikationstabelle mit den korrekten Zusammenstellungen und Inhalten für Ihr Set auf Ihre jeweilige Artikelnummer.

Modellnummer	Batterien enthalten	Ladegerät enthalten
GT501DC	-	-
S_GT501DC	CD801AA	CD802AA
S2_GT501DC	2 x CD801AA	CD802AA
S3_GT501DC	CD803AA	CD802AA

Angaben zum Werkzeug	
Spannung	20V
Teleskopstange	420-700 mm
Einstellung des Stangenwinkels	0° - 90°
Einstellbarer Kopf	0° - 90°
Leerlaufdrehzahl	8.000/min
Schneiddurchmesser	250 mm
Schneidsystem	Spule mit 2 Schneidfäden, Tap-and-Go Ø1,2mm x 8m
Gewicht (ohne Akku)	2,1 kg
Schalldruckpegel LPA	71,2 dB(A) K=3 dB(A)
Schalleistungspegel LWA	88,2 dB(A) K=3 dB(A)
Vibrationswert	6,918 m/s ² K=1,5 m/s ²

Modellnummer	CD801AA
Akkutyp	Lithium-Ion
Spannung	20V
Kapazität	2,0 Ah
Empfohlene Ladegeräte	CD802AA
Gewicht	0,3 kg

Modellnummer	CD802AA
Ladegerät Eingang	220-240V, 50Hz 0,4A
Ladegerät Ausgang	21V 2,5A
Ladezeit 2Ah Akku	60 Minuten
Ladezeit 4Ah Akku	120 Minuten
Empfohlene Akkus	CD801AA, CD803AA
Gewicht	0,36 kg

Modellnummer	CD803AA
Akkutyp	Lithium-Ion
Spannung	20V 
Kapazität	4,0 Ah
Empfohlene Ladegeräte	CD802AA
Gewicht	0,65 kg

*Garantierter Wert gemäß Lärmschutzrichtlinie:
LwA 96db (A)*

Verwenden Sie nur folgende Akkus der VONROC VPOWER 20V-Akku-Plattform. Die Verwendung anderer Akkus kann zu schweren Verletzungen oder einer Beschädigung des Werkzeugs führen.

CD801AA 20V, 2Ah Lithium-Ion
CD803AA 20V, 4Ah Lithium-Ion

Folgendes Ladegerät ist zum Aufladen dieser Akkus vorgesehen.

CD802AA Schnellladegerät

Die Akkus der VONROC VPOWER 20V-Akku-Plattform sind unter allen Werkzeugen der VONROC VPOWER 20V-Akku-Plattform austauschbar.

Vibrationsintensität

Die in dieser Bedienungsanleitung angegebene Vibrationsintensität wurde mit einem standardisierten Test gemäß EN 50636-2-91 gemessen. Anhand dieser Größe können Werkzeuge miteinander verglichen werden. Außerdem eignet sich diese Größe für eine erste Beurteilung der Vibrationsbelastung bei Verwendung des Werkzeugs für die angegebenen Anwendungszwecke.

- Bei Verwendung des Werkzeugs für andere Anwendungen oder mit anderem oder unzureichend gewartetem Zubehör kann sich die Vibrationsbelastung erheblich erhöhen.
- Wenn das Werkzeug ausgeschaltet ist, oder wenn es eingeschaltet ist, jedoch nicht genutzt wird, kann sich die Vibrationsbelastung erheblich verringern.

Schützen Sie sich vor den Auswirkungen der Vibration durch Wartung des Werkzeugs und des Zubehörs, halten Sie Ihre Hände warm, und organisieren Sie Ihren Arbeitsablauf.

BESCHREIBUNG

Die Zahlen im Text beziehen sich auf die Abbildungen auf den Seiten 2-5.

1. Batterie
2. Taste zum Entsperren des Akkus
3. Anzeige der Akkuladung
4. Ladegerät
5. Ladegerät-LED-Anzeigen
6. Ein-/Ausschalter
7. Sicherheitsschalter
8. Vorderer Griff
9. Vorderer Handgriff
10. Schutzabdeckung
11. Schraube
12. Schutzschiene
13. Seitliches Rad
14. Seitlicher Radhalter
15. Spulenabdeckung
16. Spulenrolle
17. Spulenfeder
18. Spulengehäuse
19. Tip-Spulenrolle
20. Trimmerkopf-Einstellknopf
21. Trimmerkopf-Einstellring
22. Unterer Einstellring
23. Oberer Schaft
24. Unterer Schaft
25. Knopf für Akku-LED-Anzeigen

3. MONTAGE



Entfernen Sie vor allen Arbeiten an dem Elektrowerkzeug den Akku.



Warnung! Der Rasentrimmer darf nicht ohne Schutzabdeckung verwendet werden.



Der Akku des Geräts muss vor der erstmaligen Benutzung aufgeladen werden.

Einsetzen des Akkus in das Werkzeug (Abb. C1)

Überprüfen Sie, ob die Aussenflächen des Akkus sauber und trocken sind, bevor Sie den Akku an das Ladegerät anschließen oder in das Werkzeug einsetzen.



1. Setzen Sie den Akku (1) in das Gerät ein.
2. Drücken Sie den Akku soweit nach vorn, bis der Akku hörbar einrastet.

Entnehmen des Akkus aus dem Gerät (Abb. C1)

1. Drücken Sie die Akku-Freigabetast (2).
2. Ziehen Sie den Akku aus dem Werkzeug, wie in Abb. C1 dargestellt.

Überprüfen des Akkuladezustands (Abb. C2)

- Drücken Sie zum Überprüfen des Ladezustands kurz die Taste (25) auf dem Akku.
- Der Akku ist mit 3 Leuchten zur Anzeige des Ladezustands ausgestattet. Je mehr davon leuchten, desto höher der Ladezustand.
- Wenn keine der Leuchten an ist, bedeutet das, dass der Akku leer ist und sofort aufgeladen werden muss.

Laden des Akkus über das Ladegerät (Abb. C2)

1. Entnehmen Sie den Akku (1) aus dem Werkzeug.
2. Drehen Sie den Akku (1) mit der Unterseite nach oben, und schieben Sie ihn in das Ladegerät (4), wie in Abb. C2 dargestellt.
3. Drücken Sie den Akku vollständig in die Aufnahme.
4. Stecken Sie den Netzstecker des Ladegerats in eine Steckdose, und warten Sie einen Moment. Die LED-Anzeigen am Ladegerät (5) leuchten zur Anzeige des Ladezustands auf.

Das Ladegerät verfügt über 2 LED-Anzeige (5), die den Ladevorgang anzeigt:

Rote LED	Grüne LED:	Status Ladegerät
Aus	Aus	Keine Stromversorgung
Aus	An	Standby-Modus: - Kein Akku eingelegt oder - Akku eingelegt, aber der Akku ist aufgeladen
An	Aus	Akku wird geladen

- Das vollständige Laden des 2Ah-Akkus kann bis zu 60 Minuten dauern.
- Das vollständige Laden des 4Ah-Akkus kann bis zu 120 Minuten dauern.

Ziehen Sie nach dem vollständigen Laden des Akkus den Stecker des Ladegerats aus der Netzsteckdose, und entnehmen Sie den Akku aus dem Ladegerät.



Wenn das Werkzeug für einen längeren Zeitraum nicht verwendet wird, sollte das Werkzeug möglichst mit einem voll aufgeladenen Akku aufbewahrt werden.

Montage der Schutzvorrichtung (Abb. B1)

- Bringen Sie die Schutzvorrichtung (10) am Trimmerkopfgehäuse an.
- Sichern Sie die Schutzvorrichtung mit der mitgelieferten Schraube (11).

Montage der Schutzschiene (Abb. B2)

- Die Enden der Schiene (12) zusammendrücken und in die Löcher des Trimmerkopfgehäuses schieben.
- Die Schiene kann in verschiedenen Schutzabständen eingestellt werden. Zum Einstellen schieben oder ziehen Sie die Schiene einfach.

Anbringen des vorderen Griffs (Abb. D1)

- Setzen Sie den Griff (8) auf den am oberen Schaft montierten Halter.
- Setzen Sie die Schraube in das Sechskantloch ein und montieren Sie den Knopf (9) an der Schraube.

Einstellen des vorderen Griffs (Abb. D2)

- Schrauben Sie den Knopf (9) etwas los und schieben oder ziehen Sie den vorderen Griff (8) in die gewünschte Position. Dieser kann entweder nach unten oder nach oben gerichtet und um die obere Welle gedreht werden.



Bei seitlicher Verwendung des Geräts immer das Seitenrad verwenden.

Anbringen des seitlichen Rads (Abb. E)

- Schieben Sie das seitliche Rad (13) über den seitlichen Radhalter (14).

Montage der Fadenspule (Abb. F1)



Reinigen Sie das Gerät vor dem Austausch der Spule von jeglichen Verschmutzungen.

- Setzen Sie die Feder (17) in das Spulengehäuse (18) ein. Stellen Sie sicher, dass die breitere Seite der Feder auf dem Trimmerkopf liegt.
- Legen Sie die Spulenrolle (16) über die Feder (17). Stellen Sie sicher, dass die Fäden durch die Löcher im Inneren des Gehäuses (18) geführt werden. (Abb. F2)

- Decken Sie die Spulenrolle mit der Spulenabdeckung (15) ab und befestigen Sie sie durch Festdrehen der Abdeckung.

Auswechseln der Spule (Abb. F1)

- Entfernen Sie die Spulenabdeckung (15).
- Nehmen Sie die Spulenrolle (16) heraus, aber lassen Sie die Feder (17) an ihrem Platz.
- Nehmen Sie die neue Spulenrolle (GT801AA) und legen Sie sie über die Feder (17). Stellen Sie sicher, dass die Fäden durch die Löcher im Inneren des Gehäuses (18) geführt werden. (Abb. F2)
- Decken Sie die neue Spulenrolle mit der Spulenabdeckung (15) ab und befestigen Sie sie durch Festdrehen der Abdeckung.

4. BETRIEB

Verwendung des Tap-and-Go-Systems (Abb. G)

- Wenn der Faden zu kurz geworden ist, schalten Sie die Maschine ein und drücken Sie die Spitze der Spulenrolle (19) auf den Boden. (Achten Sie darauf, dass dies auf einer harten Oberfläche geschieht.)
- Dadurch wird der Faden freigegeben, um verlängert zu werden.
- Der Faden wird durch die in der Schutzabdeckung (10) montierte Klinge automatisch auf die richtige Länge geschnitten.

Kippen des Trimmerkopfes (Abb. H)



Das Gerät ausschalten und den Akku herausnehmen.

- Drücken Sie den Knopf (20) des Trimmerkopfes, um den Kopf in die gewünschte Position zu kippen.
- Wenn der Knopf losgelassen wird, rastet der Kopf in der gewählten Position ein.

Drehen des Trimmerkopfes (Abb. I)

- Drücken Sie den Ring (21) nach unten in Richtung des Trimmerkopfes, um den Kopf in die gewünschte Position zu drehen.
- Wenn der Ring losgelassen wird, rastet der Kopf in der gewählten Position ein.

Einstellung der Stangenhöhe (Abb. J)

- Um die Höhe des Geräts einzustellen, lösen Sie den unteren Einstellring (22).
- Schieben Sie den unteren Schaft (24) vorsichtig

auf der oberen Schaft (23) nach unten oder oben.

- Drehen Sie den unteren Einstellring (22) fest, um das Gerät in dieser Höhe zu sichern.

Verwendung des Rasentrimmers



Vor dem Gebrauch immer visuell prüfen, ob das Gerät und seine Teile korrekt montiert und weder abgenutzt noch beschädigt sind.

- Für Ihre eigene Sicherheit und für beste Ergebnisse die folgenden Benutzerhinweise lesen und dieses Produkt nur für seinen Bestimmungszweck verwenden.
- Dieser Grastrimmer ist zum Schneiden von Gras vorgesehen. Jeder andere Gebrauch, der nicht speziell in diesem Handbuch erlaubt ist, kann zu Beschädigung des Rasentrimmers führen oder den Bediener verletzen.

Sicherheitsmerkmale

- Die Schutzvorrichtung verfügt über ein Messer zum Schneiden des Fadens auf die richtige Länge. Berühren Sie die Klinge nicht, um die Verletzungsgefahr für den Benutzer zu verringern.
- Der Ein-/Ausschalter (6) und der Sicherheitschalter (7) müssen gemeinsam betätigt werden, um den Motor zu starten. Wenn der Druck auf einen der Schalter abgelassen wird, ist das Werkzeug darauf ausgelegt, schnell zu stoppen.

Ein-/Ausschalten

- Zum Einschalten des Trimmers den Sicherheitschalter (7) und den Ein-/Ausschalter (6) gleichzeitig drücken.
- Zum Ausschalten einen der beiden Schalter loslassen.

5. WARTUNG



Schalten Sie das Werkzeug immer aus, und entnehmen Sie den Akku aus dem Gerät, bevor Sie Reinigungs- oder Wartungsarbeiten am Werkzeug vornehmen.

Reinigen Sie das Werkzeuggehäuse regelmäßig mit einem weichen Lappen, vorzugsweise nach jeder Verwendung. Stellen Sie sicher, dass die Lüftungsöffnungen frei von Staub und Schmutz sind. Entfernen Sie anhaftenden Schmutz mit einem weichen Lappen, der leicht mit Seifenwasser befeuchtet wurde. Verwenden Sie keine Lösungsmittel wie

Benzin, Alkohol, Ammoniak usw., da Chemikalien dieser Art die Kunststoffteile beschädigen.

Am Produkt und am Benutzerhandbuch können Änderungen vorgenommen werden. Die technischen Daten können sich ohne Vorankündigung ändern.

UMWELTSCHUTZ



Schadhafte und/oder zu entsorgende elektrische oder elektronische Werkzeuge und Geräte müssen an den dafür vorgesehenen Recycling-Stellen abgegeben werden.

Nur für EG-Länder

Entsorgen Sie Elektrowerkzeuge nicht über den Hausmüll. Entsprechend der EU-Richtlinie 2012/19/EG über Elektro- und Elektronik-Altgeräte sowie der Umsetzung in nationales Recht müssen Elektrowerkzeuge, die nicht mehr im Gebrauch sind, getrennt gesammelt und umweltschonend entsorgt werden.

GARANTIE

VONROC-Produkte werden nach den höchsten Qualitätsstandards entwickelt und sind für den gesetzlich festgelegten Zeitraum, ausgehend von dem ursprünglichen Kaufdatum, garantiert frei von Fehlern in Material und Ausführung. Sollte das Produkt in diesem Zeitraum aufgrund von Material- und/oder Verarbeitungsmängeln Fehler aufweisen, wenden Sie sich bitte direkt an VONROC Kundendienst.

Folgende Umstände sind von der Garantie ausgeschlossen:

- Reparaturen und oder Änderungen an der Maschine, die durch nicht-autorisierte Servicestellen vorgenommen oder versucht wurden.
- Normale Abnutzung und Verschleiß.
- Das Werkzeug wurde übermäßig beansprucht, missbräuchlich verwendet oder falsch gewartet.
- Es wurden keine Original-Ersatzteile verwendet.

Dies stellt die einzige Gewährleistung des Unternehmens dar, sowohl ausdrücklich als auch implizit. Es gibt keine anderen ausdrücklichen oder stillschweigenden Garantien, die über das hier Genannte hinausgehen, einschließlich der stillschweigenden Garantien der Marktgängigkeit oder Eignung für einen bestimmten Zweck. In keinem Fall ist VONROC haftbar für Neben- oder Folgeschäden. Die Rechtsmittel des Händlers beschränken sich auf Reparatur oder Ersatz fehlerhafter Einheiten oder Teile.

1. VEILIGHEIDSVOORSCHRIFTEN

Lees de bijgesloten veiligheidswaarschuwingen, de aanvullende veiligheidswaarschuwingen en de instructies. Het niet opvolgen van de veiligheidswaarschuwingen kan elektrische schokken, brand en/of ernstig letsel tot gevolg hebben. Bewaar de veiligheidswaarschuwingen en instructies als naslagwerk voor later.

De volgende symbolen worden gebruikt in de gebruikershandleiding of op het product:



Lees de gebruikershandleiding.



Duidt op het risico van lichamelijk letsel, overlijden en/of beschadiging van het gereedschap, als de instructies in deze gebruiksaanwijzing niet in acht worden genomen.



Risico van een elektrische schok.



Draag gehoorbescherming.



Draag altijd een veiligheidsbril!



Draag een stofmasker.



Draag veiligheidshandschoenen.



Draag veiligheidsschoenen.



Stel de machine niet bloot aan regen.



Klasse II apparaat - Dubbel geïsoleerd - Een geaarde stekker is niet noodzakelijk.



Miniaturzekering met vertragingstijd.



Max. temperatuur 45°C.



Accu niet verbranden.



Accu niet in het water gooien.



Aparte inzameling van Li-ion-accu's.



Gooi het product niet weg in containers die daarvoor niet geschikt zijn.



Het product voldoet aan de geldende veiligheidsnormen vermeld in de Europese richtlijnen.



Schakel de machine altijd uit en neem de accu eruit voor u de machine reinigt of onderhoud uitvoert.



Het gegarandeerde geluidsvermogensniveau LWA = 96 dB(A)

ALGEMENE VEILIGHEIDSVOORSCHRIFTEN



WAARSCHUWING! Lees alle veiligheidswaarschuwingen en alle instructies. Het niet opvolgen van onderstaande instructies kan leiden tot een elektrische schok, brand en/of ernstig persoonlijk letsel.

Bewaar deze instructies.

De term "elektrisch gereedschap" in onderstaande waarschuwingen heeft betrekking op zowel apparatuur met een vaste elektriciteitskabel als op apparatuur met een accu (draadloze apparatuur).

1) Werkgebied

- Zorg voor een opgeruimde en goed verlichte werkomgeving.** Rommelige en donkere werkomgevingen leiden tot ongelukken
- Gebruik elektrisch gereedschap nooit in een omgeving waar explosiegevaar bestaat, zoals in de nabijheid van ontvlambare vloeistoffen, gassen, dampen of andere stoffen.** Elektrische gereedschappen kunnen vonken veroorzaken, die deze stoffen tot ontbranding kunnen brengen.
- Wanneer u elektrisch gereedschap gebruikt, houd dan kinderen en omstanders op afstand.** Wanneer u wordt afgeleid, kunt u de controle over het gereedschap verliezen.

2) Elektrische veiligheid

- Stekkers van elektrische gereedschappen moeten probleemloos passen op het stopcontact. Breng nooit wijzigingen aan in of aan de stekker. Gebruik geen adapters voor geaarde elektrische gereedschappen.** Standaardstekkers en passende stopcontacten verkleinen de kans op een elektrische schok.
- Voorkom lichamelijk contact met geaarde oppervlakken van bijvoorbeeld pijpen, leidingen, radiatoren, fornuizen en koelkasten.** Wanneer uw lichaam geaard is, wordt de kans

- op een elektrische schok groter.
- c) **Stel elektrische gereedschappen nooit bloot aan regen of vocht.** Wanneer er water binnendringt in een elektrisch gereedschap, wordt de kans op een elektrische schok groter.
- d) **Gebruik het snoer niet om het elektrisch gereedschap te dragen, te verplaatsen of de stekker uit het stopcontact te trekken. Bescherm het snoer tegen olie, warmte, scherpe randen en bewegende delen.** Beschadigde of vastzittende snoeren vergroten de kans op een elektrische schok.
- e) **Wanneer u elektrische gereedschappen buiten gebruikt, gebruik dan een verlengkabel die geschikt is voor buitengebruik.** Door een kabel te gebruiken die geschikt is voor buitengebruik, wordt de kans op een elektrische schok kleiner.
- f) **Gebruik een aardlekbeveiliging (RCD) als niet te voorkomen is dat een power tool moet worden gebruikt in een vochtige omgeving.** Gebruik van een RCD vermindert het risico van elektrische schokken.
- 3) Persoonlijke veiligheid**
- a) **Blijf altijd alert, kijk goed wat u doet en gebruik uw gezonde verstand wanneer u een elektrisch gereedschap gebruikt. Gebruik geen elektrische gereedschappen wanneer u moe bent, of drugs, alcohol of medicijnen hebt gebruikt.** Eén moment van onachtzaamheid bij het gebruik van elektrische gereedschappen kan ernstige verwondingen tot gevolg hebben.
- b) **Gebruik persoonlijke beschermingsmiddelen. Draag altijd een veiligheidsbril.** Een gepast gebruik van veiligheidsvoorzieningen, zoals een stof masker, speciale werkschoenen met antislipzolen, een veiligheidshelm en gehoorbescherming verkleinen de kans op persoonlijk letsel.
- c) **Voorkom dat het gereedschap per ongeluk wordt gestart. Zorg dat de schakelaar op de UITpositie staat, voordat u de stekker in het stopcontact steekt.** Draag elektrisch gereedschap nooit met uw vinger op de schakelaar en steek ook nooit de stekker van ingeschakelde elektrische gereedschappen in het stopcontact: dit leidt tot ongelukken.
- d) **Verwijder alle instel en andere sleutels uit het elektrisch gereedschap voordat u hem inschakelt.** Instel en andere sleutels aan een ronddraaiend onderdeel van het elektrisch gereedschap kunnen tot verwondingen leiden.
- e) **Zorg dat u nooit uw evenwicht kunt verliezen; houd altijd twee voeten stevig op de vloer.** Hierdoor kunt u het elektrisch gereedschap in onverwachte situaties beter onder controle houden.
- f) **Zorg dat u geschikte kleding draagt. Draag geen loshangende kleding of sieraden. Houd uw haar, kleding en handschoenen uit de buurt van bewegende delen.** Loshangende kleding, sieraden en lang haar kunnen vast komen te zitten in bewegende delen.
- g) **Wanneer er voorzieningen zijn voor de aansluiting van stofafzuiginstallaties, zorg dan dat ze op de juiste wijze worden aangesloten en gebruikt.** Gebruik van deze voorzieningen vermindert de gevaren die door stof worden veroorzaakt.
- h) **Denk niet dat doordat u gereedschap vaak gebruikt, u wel weet hoe het allemaal werkt en dat u de veiligheidsbeginselen voor het gebruik van het gereedschap wel kunt negeren.** Een onbezonnen actie kan in een fractie van een seconde ernstig letsel tot gevolg hebben.
- 4) Gebruik en onderhoud van elektrisch gereedschap**
- a) **Oefen geen overmatige kracht uit op elektrisch gereedschap. Gebruik het juiste gereedschap voor uw specifieke toepassing.** Met het juiste elektrische gereedschap voert u de taak beter en veiliger uit wanneer dit op de snelheid gebeurt waarvoor het apparaat is ontworpen.
- b) **Gebruik nooit elektrisch gereedschap waarvan de AAN/UITschakelaar niet werkt.** Ieder elektrisch gereedschap dat niet kan worden in en uitgeschakeld met de schakelaar is gevaarlijk en moet worden gerepareerd.
- c) **Trek de stekker uit het stopcontact voordat u wijzigingen aanbrengt aan elektrische gereedschappen, accessoires verwisselt of het elektrisch gereedschap opbergt.** Wanneer u zich aan deze preventieve veiligheidsmaatregelen houdt, beperkt u het risico dat het gereedschap per ongeluk wordt gestart.
- d) **Berg elektrisch gereedschap dat niet in gebruik is op buiten bereik van kinderen en laat personen die niet bekend zijn met het gereedschap of deze instructies het apparaat niet gebruiken.** Elektrisch gereedschap is gevaarlijk in de handen van ongevoefde gebruikers.
- e) **Zorg voor een goed onderhoud van elektrisch gereedschap. Controleer of bewegende delen op de juiste wijze zijn vastgezet. Controleer**

ook of er geen onderdelen defect zijn of dat er andere omstandigheden zijn die van invloed kunnen zijn op de werking van het gereedschap. Laat het gereedschap bij beschadigingen repareren vóór gebruik. Veel ongelukken worden veroorzaakt door slecht onderhoud van het gereedschap.

- f) **Zorg dat snij en zaagwerktuigen scherp en schoon blijven.** Goed onderhouden snij en zaagwerktuigen met scherpe randen zullen minder snel vastlopen en zijn eenvoudiger onder controle te houden.
 - g) **Gebruik alle elektrische gereedschappen, accessoires, bitjes etc., zoals aangegeven in deze instructies en op de wijze waarvoor het gereedschap is ontworpen. Houd daarbij rekening met de werkomstandigheden en de uit te voeren taak.** Gebruik van elektrisch gereedschap voor handelingen die afwijken van de taken waarvoor het apparaat is ontworpen kunnen leiden tot gevaarlijke situaties.
 - h) **Houd handgrepen en greepoppervlakken droog, schoon en vrij van olie en vet.** Gladde handgrepen en greepoppervlakken maken veilig werken en controle over het gereedschap in onverwachte situaties onmogelijk.
- 5) Gebruik en onderhoud accugereedschap**
- a) **Laad alleen op met de lader die door de fabrikant is gespecificeerd.** Een lader die voor een bepaalde accu geschikt is, kan brand veroorzaken wanneer deze met een andere accu wordt gebruikt.
 - b) **Gebruik elektrisch gereedschap alleen met de speciaal hiervoor bedoelde accu's.** Gebruik van andere accu's kan kans op letsel en brand geven.
 - c) **Wanneer de accu niet in gebruik is, houd deze dan uit de buurt van andere metalen voorwerpen zoals paperclips, munten, sleutels, spijkers, schroeven of andere kleine metalen voorwerpen die een verbinding tussen twee polen kunnen maken.** Kortsluiting tussen de accupolen kan brandwonden of brand veroorzaken.
 - d) **Wanneer de accu niet juist wordt gebruikt, kan er vloeistof uit lopen; raak dit niet aan. Wanneer dit per ongeluk wel gebeurt, spoel dan met water. Wanneer de vloeistof in de ogen komt, moet u een arts raadplegen.** De vloeistof uit de accu kan irritaties of brandwonden veroorzaken.
 - e) **Gebruiken niet een accu of gereedschap dat beschadigd is of gemodificeerd.** Beschadigde of

gemodificeerde accu's kunnen onvoorspelbaar gedrag vertonen, wat brand, explosie of een risico van letsel met zich meebrengt.

- f) **Stel een accu over het gereedschap niet bloot aan open vuur of een uitzonderlijk hoge temperatuur.** Blootstelling aan vuur of een temperatuur hoger dan 130 °C, kan een explosie veroorzaken. NB De temperatuur van "130 °C" kan worden vervangen door de temperatuur van "265 °F".
 - g) **Houd u aan alle instructies voor het laden en laad de accu of het gereedschap niet op buiten het temperatuurbereik dat in de instructies wordt aangeduid.** Op een onjuiste wijze laden of laden bij temperaturen buiten het aangeduide bereik kan de accu beschadigen en het risico van brand doen toenemen.
- 6) Service**
- a) **Laat uw gereedschap onderhouden door een gekwalificeerde onderhoudstechnicus die alleen gebruikmaakt van identieke vervangingsonderdelen.** Dit zorgt ervoor dat de veiligheid van de powertool intact blijft.
 - b) **Voer nooit servicewerkzaamheden uit aan beschadigde accu's.** Alleen de fabrikant of geautoriseerde service-providers mogen servicewerkzaamheden aan accu's uitvoeren.

AANVULLENDE VEILIGHEIDSINSTRUCTIE SNOERLOZE GRASTRIMMER

- Laat nooit kinderen of mensen met een beperking of mensen die deze instructies niet kennen, deze trimmer gebruiken. Ter plaatse geldende voorschriften kunnen een beperking van de leeftijd van de gebruiker inhouden. Berg de trimmer, wanneer deze niet in gebruik is, op buiten bereik van kinderen.
- Werk nooit met de trimmer wanneer beschermkappen of schilden ontbreken of gebroken zijn of zonder dat beschermkappen of schilden zijn geplaatst.
- Controleer de machine voor u deze gebruikt of nadat deze is gestoten, op tekenen van slijtage of beschadiging, en voer reparaties uit als dat nodig is.
- Werk nooit met de machine wanneer u moe bent of u zich niet lekker voelt of wanneer u onder invloed bent van alcohol of drugs, of van medicatie.
- Draag altijd een lange broek van zware stof, laarzen en handschoenen. Draag geen losse

- kleding, sieraden, korte broek, sandalen en werk nooit blootsvoets.
- Draag oogbescherming en gehoorbescherming wanneer u met de machine werkt.
- Blijf stevig op beide voeten en in evenwicht staan. Reik niet te ver.
- Werk nooit met deze trimmer terwijl er mensen, vooral kinderen, of huisdieren, bij u in de buurt zijn.
- Raak de spoellijn pas aan wanneer deze volledig tot stilstand is gekomen. De spoellijn blijft nog even draaien nadat de trimmer is uitgeschakeld, een ronddraaiende draad kan letsel veroorzaken.
- Werk alleen bij daglicht en bij goed kunstlicht.
- Werk niet met de trimmer onder slechte weersomstandigheden, vooral niet wanneer er onweer dreigt.
- Wanneer u met de trimmer in nat gras werkt, nemen de prestaties af.
- Schakel de machine uit wanneer u deze van en naar de werkplek vervoert.
- Schakel de machine alleen in wanneer handen en voeten weg zijn bij het maaimechanisme.
- Houd uw handen en voeten weg bij het maaimechanisme.
- Neem de accu uit voordat u de spoel wisselt.
- Plaats nooit metalen maai-elementen op deze trimmer.
- Inspecteer en onderhoud de trimmer regelmatig.
- Laat de trimmer uitsluitend door een geautoriseerde servicedienst repareren.
- Let er altijd op dat de ventilatiesleuven vrij blijven van vuil.
- Neem de accu uit:
 - *wanneer u de machine enige tijd onbeheerd achterlaat;*
 - *voordat u de draad vervangt;*
 - *voordat u de trimmer gaat schoonmaken of nazien.*
- Berg de machine buiten bereik van kinderen op in een veilige, droge ruimte. Plaats er geen andere voorwerpen bovenop de machine.
- Werk niet met de machine zonder dat het draadhulpstuk is gemonteerd.

- c) **Bij beschadiging en onjuist gebruik van de accu kunnen er dampen vrijkomen. Zorg voor frisse lucht en raadpleeg bij klachten een arts.** De dampen kunnen de lucht wegen irriteren.
- d) **Gebruik de accu alleen in combinatie met uw Vonroc product.** Alleen zo wordt de accu tegen gevaarlijke overbelasting beschermd.
- e) **Door scherpe voorwerpen, zoals bijv. spijkers of schroevendraaiers of door krachtingwerking van buitenaf kan de accu beschadigd worden.** Het kan tot een interne kortsluiting leiden en de accu doen branden, roken, exploderen of oververhitten.

VEILIGHEIDSVOORSCHRIFTEN VOOR DE LADER

Bedoeld gebruik

Laad uitsluitend herlaadbare accupacks van het type CD801AA en CD803AA. Andere typen accu's kunnen exploderen, wat lichamelijk letsel en schade kan veroorzaken.

- a) **Het apparaat dient niet te worden gebruikt door personen (inclusief kinderen) met verminderde fysieke, zintuiglijke of mentale functies of personen zonder enige ervaring en kennis, tenzij zij onder toezicht staan of zijn geïnstrueerd.**
- b) **Laat kinderen onder toezicht niet met het apparaat spelen.**
- c) **Laad niet-herlaadbare accu's niet opnieuw op!**
- d) **Plaats de accu's tijdens het opladen in een goed geventileerde ruimte!**

2. INFORMATIE OVER DE MACHINE

Bedoeld gebruik

De grastrimmer is ontwikkeld voor het maaien van gras en onkruid, onder struiken maar ook op hellingen. De grastrimmer is bij uitstek geschikt voor het maaien van randen die niet met de gazonmaaier kunnen worden bereikt. Bedoeld gebruik heeft betrekking op het werken bij omgevingstemperaturen tussen 0°C en 45°C. Gebruik deze machine niet in de regen.

TECHNISCHE SPECIFICATIES




Deze gebruikshandleiding is opgesteld voor verschillende sets / artikelnummers.

Controleer het bijbehorende artikelnummer in de onderstaande specificaties voor de juiste samenstelling en inhoud van uw set.


VEILIGHEIDSVOORSCHRIFTEN VOOR DE ACCU


- a) **Open de accu niet.** Er bestaat gevaar voor kortsluiting.
- b) **Bescherm de accu tegen hitte, bijvoorbeeld ook tegen voortdurend zonlicht, vuur, water en vocht.** Er bestaat explosiegevaar.


Model Nr.	Batterijen meegeleverd	Acculader meegeleverd
GT501DC	-	-
S_GT501DC	CD801AA	CD802AA
S2_GT501DC	2 x CD801AA	CD802AA
S3_GT501DC	CD803AA	CD802AA

Model Nr.	CD803AA
Accu type	Lithium-Ion
Voltage	20V 
Vermogen	4,0 Ah
Aanbevolen laadapparaat	CD802AA
Gewicht	0,65 kg

Technische informatie

Spanning	20V 
Telescopische stang	420-700 mm
Aanpassing hoek stang	0° - 90°
Kop aan te passen	0° - 90°
Onbelaste snelheid	8.000/min
Maaidiameter	250 mm
Maaisysteem	2-lijns draadspoel, Tap-and-go Ø1,2mm x 8m
Gewicht (zonder accu)	2,1 kg
Geluidsrukniveau LPA	71,2(A), K=3 dB(A)
Geluidsvermogeniveau LWA	88,2 dB(A), K=3 (A)
Trillingswaarde	6,918 m/s ² K=1,5 m/s ²

Model Nr.	CD801AA
Accu type	Lithium-Ion
Voltage	20V 
Vermogen	2,0 Ah
Aanbevolen laadapparaat	CD802AA
Gewicht	0,3 kg

Model Nr.	CD802AA
Acculader ingang	220-240V, 50Hz 0,4A
Acculader uitgangsvermogen	21V  2,5A
Oplaadtijd 2Ah accu	60 minuten
Oplaadtijd 4Ah accu	120 minuten
Aanbevolen accu's	CD801AA, CD803AA
Gewicht	0,36 kg

Gegarandeerde waarde volgens de geluidsrichtlijn: LwA 96db (A)

Gebruik uitsluitend de volgende accu's van het VONROC VPOWER 20V accu-platform. Gebruik van andere accu's kan leiden tot ernstig letsel of tot beschadiging van het gereedschap.
 CD801AA 20V, 2Ah Lithium-Ion
 CD803AA 20V, 4Ah Lithium-Ion

De volgende lader kan worden gebruikt voor het opladen van deze accu's.
 CD802AA Snellader

De accu's van het VONROC VPOWER 20V accu-platform kunnen worden gewisseld tussen alle gereedschappen van het VONROC VPOWER 20V accu-platform.

Trillingsniveau

Het trillingsemissieniveau, dat in deze gebruiksaanwijzing wordt vermeld, is gemeten in overeenstemming met een gestandaardiseerde test volgens EN 50636-2-91 deze mag worden gebruikt om twee machines met elkaar te vergelijken en als voorlopige beoordeling van de blootstelling aan trilling bij gebruik van de machine voor de vermelde toepassingen.

- Het gebruik van de machine voor andere toepassingen, of met andere of slecht onderhouden accessoires, kan het blootstellingsniveau aanzienlijk verhogen.
- Wanneer de machine is uitgeschakeld of wanneer deze loopt maar geen werk verricht, kan dit het blootstellingsniveau aanzienlijk reduceren.

Bescherm uzelf tegen de gevolgen van trilling door de machine en de accessoires te onderhouden, uw handen warm te houden en uw werkwijze te organiseren.

BESCHRIJVING

De nummers in deze tekst verwijzen naar de diagrammen op pagina 2-5.

1. Accu
2. Ontgrendelingsknop accu
3. Aanduiding geringe lading van accu
4. Lader
5. LED-indicatielampjes lader
6. Aan/uit-schakelaar
7. Veiligheidsschakelaar
8. Voorste handgreep
9. Knop voorste handgreep
10. Beschermkap
11. Schroef
12. Rail beschermkap
13. Zijwiel
14. Zijwielhouder
15. Spoelkap
16. Spoelklos
17. Spoelveer
18. Spoelbehuizing
19. Punt spoelklos
20. Afstelknop trimmerkop
21. Afstelling trimmerkop
22. Onderste afstelling
23. Bovenste as
24. Onderste as
25. Knop LED-indicatielampjes accu

3. MONTAGE



Verwijder de accu voordat u werkzaamheden aan het elektrisch gereedschap gaat uitvoeren.



Waarschuwing! Gebruik de grastrimmer niet zonder de beschermkap.



De machine moet voor het eerste gebruik worden opgeladen.

De accu in de machine plaatsen (Afb. C1)



Controleer dat de buitenzijde van de accu schoon en droog is voordat u de accu in de lader of de machine steekt.

1. Plaats de accu (1) in de onderkant van de machine, zoals is weergegeven in Fig. C1.
2. Duw de accu verder naar voren tot deze vastklikt.

De accu van de machine verwijderen (Afb. C1)

1. Duw op de ontgrendelingsknop van de accu (2).
2. Trek de accu uit de machine zoals afgebeeld in Fig. C1.

De laadstatus van de accu controleren (Afb. C2)

- Druk kort op de knop (25) op de accu om de laadstatus van de accu te controleren.
- Op de accu bevinden zich 3 lampjes die het laadniveau aangeven. Hoe meer lampjes branden, des te meer is de accu opgeladen.
- Wanneer de lampjes niet branden, wil dit zeggen dat de accu leeg is en onmiddellijk moet worden opgeladen.

De accu laden met de acculader (Afb. C2)

1. Haal de accu (1) uit de machine.
2. Draai de accu (1) ondersteboven en schuif deze op de acculader (4), zoals is weergegeven in Afb. C2.
3. Duw op de accu tot deze volledig in de sleuf zit.
4. Steek de stekker van de acculader in een stopcontact en wacht even. De Led-lampjes op de acculader (5) gaan branden en tonen de status van de lader.

De acculader heeft 2 led-controlelampjes (5) die de status van het laadproces aangeven:

Status rode LED	Status groene LED	Status van acculader
Uit	Uit	Geen stroom
Uit	Aan	Standby mode: - Geen accu geplaatst, of - Opladen van de accu is beëindigd, de accu is volledig opgeladen
Aan	Uit	Bezig met opladen van accu

- Het kan tot 60 minuten duren voordat de 2Ah accu volledig is opgeladen.
- Het kan tot 120 minuten duren voordat de 4Ah accu volledig is opgeladen.

Verwijder, als de accu volledig is opgeladen, de stekker van de acculader uit het stopcontact en haal de accu uit de acculader.



Wanneer deze machine gedurende een langere tijd niet wordt gebruikt, is het raadzaam de accu te bewaren in opgeladen toestand.

De beschermkap monteren (Afb. B1)

- Plaats de beschermkap (10) op de behuizing van de trimmerkop.
- Zet de beschermkap vast met de bijgeleverde schroef (11).

De rail van de beschermkap monteren (Afb. B2)

- Knijp de uiteinden van de rail (12) van de beschermkap naar elkaar toe en schuif de rail in de gaten van de behuizing van de trimmerkop.
- De rail van de beschermkap kan op verschillende afstanden worden ingesteld. U hoeft alleen maar tegen de rail te duwen of eraan te trekken als u de rail wilt afstellen.

De voorste handgreep monteren (Afb. D1)

- Plaats de handgreep (8) op de houder die op de bovenste as is gemonteerd.
- Plaats de bout in het zeskantige gat en monteer de knop (9) op de bout.

De voorste handgreep afstellen (Afb. D2)

- Schroef de knop (9) wat los en druk of trek de voorste handgreep (8) in de gewenste positie. Dit kan omlaag zijn of omhoog en u kunt de handgreep rond de bovenste as draaien.



Gebruikt u de machine in zijwaartse richting, gebruik dan altijd het zijwiel.

Het zijwiel monteren (Afb. E)

- Schuif het zijwiel (13) over de zijwielhouder (14).

De draadspoel monteren (Afb. F1)



Maak de machine volledig schoon voordat u de spoel vervangt.

- Plaats de veer (17) in de spoelbehuizing (18). Let er op dat u de bredere zijde van de veer op de trimmerkop plaatst.
- Plaats de spoelklos (16) over de veer (17). Let erop dat de draden door de gaten in de behuizing (18) komen te lopen. (Afb. F2)
- Bedek de spoelklos met de spoelkap (15) en zet deze vast door de kap stevig dicht te draaien.

De draadspoel vervangen (Afb. F1)

- Verwijder het spoelkap (15).
- Neem de spoelklos (16) uit, maar laat de veer (17) zitten.
- Neem de nieuwe spoelklos (GT801AA) en plaats deze over de veer (17). Let erop dat de draden door de gaten in de behuizing (18) komen te lopen. (Afb. F2)
- Bedek de nieuwe spoelklos met de spoelkap (15) en zet deze vast door de kap stevig dicht te draaien.

4. WERKING

Werken met het Tap-and-go-systeem (Afb. G)

- Wanneer de draad te kort is, schakel dan de machine in en druk op de punt van de spoelklos (19) op de grond (zorg ervoor dat u dit doet op een hard oppervlak).
- Zo wordt de draad vrijgegeven en wordt deze langer.
- De draad wordt automatisch op de juiste lengte afgeknipt door het mes dat in de beschermkap (10) is gemonteerd.

De trimmerkop kantelen (Afb. H)



Houd de machine uitgeschakeld en koppel de accu los.

- Druk op de knop (20) van de trimmerkop zodat u de kop in de gewenste positie kunt kantelen.
- Wanneer u de knop loslaat, zal de kop vastklikken in de gekozen positie.

De trimmerkop draaien (Afb. I)

- Druk de ring (21) omlaag naar de trimmerkop zodat u de kop in de gewenste positie kunt draaien.
- Wanneer u de ring loslaat, zal de kop vastklikken in de gekozen positie.

De hoogte van de stang aanpassen (Afb. J)

- U kunt de hoogte van de machine aanpassen, door de onderste afstelring (22) los te draaien.
- Duw voorzichtig de onderste as (24) omhoog of omlaag van de bovenste as (23) af.
- Zet de machine op deze hoogte vast door de onderste afstelring (22) vast te zetten.

Werken met de grastrimmer



Voer voor gebruik altijd een visuele inspectie van de machine en de onderdelen ervan uit en kijk of zij goed zijn gemonteerd, niet versleten of beschadigd zijn.

- Lees voor uw eigen veiligheid en voor het beste resultaat de volgende gebruikersadviezen en gebruik dit product niet voor andere toepassingen dan de bedoelde.
- Deze grastrimmer is gemaakt voor het maaien van gras. Alle andere toepassingen die niet specifiek in deze handleiding worden toegevoegd, kunnen leiden tot beschadiging van de grastrimmer of tot verwonding van de gebruiker.

Veiligheidsfuncties

- De beschermkap is voorzien van een mes voor het op de juiste lengte afsnijden van de draad. Raak het mest niet aan en beperk zo de kans dat u zich zelf verwondt.
- U start de motor door de aan/uit-schakelaar (6) en de veiligheidsschakelaar (7) tegelijk te bedienen. Het gereedschap is zo ontworpen dat het snel tot stilstand komt als er geen druk meer wordt uitgeoefend op één van de schakelaars.

In-/Uitschakelen

- Schakel de heggenschaar in door de veiligheidsschakelaar (7) en de startschakelaar (6) tegelijkertijd in te drukken.
- U kunt de grastrimmer uitschakelen door één schakelaar of beide los te laten.

5. ONDERHOUD



Schakel, voordat u met de reiniging en het onderhoud begint, altijd de machine uit en haal het accupack uit de machine.

Reinig de machinebehuizing regelmatig met een zachte doek, bij voorkeur iedere keer na gebruik. Zorg dat de ventilatiesleuven vrij van stof en vuil zijn. Gebruik bij hardnekkig vuil een zachte doek bevochtigd met zeepwater. Gebruik geen oplosmiddelen als benzine, alcohol, ammonia, etc. Dergelijke stoffen beschadigen de kunststof onderdelen.

MILIEU



Defecte en/of afgedankte elektrische of elektronische gereedschappen dienen ter verwerking te worden aangeboden aan een daarvoor verantwoordelijke instantie.

Uitsluitend voor EG-landen

Werp elektrisch gereedschap niet weg bij het huisvuil. Conform de Europese Richtlijn 2012/19/EG voor Afgedankte Elektrische en Elektronische Apparatuur en de implementatie ervan in nationaal recht moet niet langer te gebruiken elektrisch gereedschap gescheiden worden verzameld en op een milieuvriendelijke wijze worden verwerkt.

GARANTIE

VONROC producten zijn ontworpen volgens de hoogste kwaliteitsstandaarden en gegarandeerd vrij van defecten, zowel materieel als fabrieksfouten, tijdens de wettelijk vastgestelde garantieperiode vanaf de eerste aankoopdatum. Mocht het product tijdens deze periode gebreken vertonen veroorzaakt door defecte materialen en/of fabrieksfouten, neem dan rechtstreeks contact op met VONROC.

De volgende situaties vallen niet onder de garantie:

- Er zijn reparaties of aanpassingen aan de machine uitgevoerd, of er is een poging daartoe ondernomen, door een niet-geautoriseerd servicecentrum.
- Normale slijtage.
- De machine is misbruikt, verkeerd gebruikt of slecht onderhouden.
- Er zijn niet-originele reserveonderdelen gebruikt.

Dit vormt de enige garantie opgesteld door het bedrijf zowel expliciet als impliciet. Er bestaan geen andere garanties expliciet of impliciet welke verder gaan dan deze garantie, inclusief impliciete garanties van verkoopbaarheid en geschiktheid voor bepaalde doeleinden. In geen enkel geval kan VONROC aansprakelijk worden gesteld voor incidentele schade of gevolgschade. Reparaties van dealers zijn gelimiteerd tot de reparatie of vervanging van defecte producten of onderdelen.

Het product en de gebruikershandleiding zijn onderhevig aan wijzigingen. Specificaties kunnen zonder opgave van redenen worden gewijzigd.

1. CONSIGNES DE SÉCURITÉ

En plus des avertissements de sécurité suivants, veuillez également lire les avertissements de sécurité additionnels ainsi que les instructions. Le non-respect des avertissements de sécurité et des instructions peut entraîner une décharge électrique, un incendie et/ou des blessures graves. Veuillez conserver les avertissements de sécurité et les instructions pour consultation ultérieure.

Les symboles suivants sont utilisés dans le manuel d'utilisation ou apposés sur le produit:



Lisez le manuel d'utilisation.



Indique un risque de blessure, de décès ou de détérioration de l'outil en cas de non-respect des consignes de ce manuel.



Risque de décharge électrique.



Portez des protections auditives.



Portez toujours des lunettes de protection!



Portez un masque antipoussière.



Portez des gants de protection.



Portez des chaussures de sécurité.



N'exposez pas la machine à la pluie.



Machine de classe II - Double isolation - Vous n'avez pas besoin de prise avec mise à la terre.



Fusible miniature à fusion lente.



Température max. 45°C.



Ne jetez pas la batterie au feu.



Ne jetez pas la batterie dans de l'eau.



Separate collection for Li-ion battery.



Ne jetez pas les produits de façon inappropriée.



Le produit est conforme aux normes de sécurité des directives européennes en vigueur.



Avant toute opération de nettoyage ou de maintenance, éteignez toujours la machine et retirez-en le bloc-batterie.



Le niveau de puissance sonore garanti LWA= 96 dB(A)

CONSIGNES GÉNÉRALES DE SÉCURITÉ



AVERTISSEMENT! Veuillez lire l'intégralité des avertissements de sécurité et des instructions. Le nonrespect de toutes les instructions indiquées cidessous peut entraîner un risque de choc électrique, d'incendie et/ou de blessures graves.

Conservez ces instructions.

Le terme "appareil électrique" mentionné dans tous les avertissements cidessous se rapporte à un appareil électrique qui se branche au réseau électrique (grâce à un câble d'alimentation) ou à un appareil électrique (sans fil) fonctionnant grâce à une batterie.

1) Espace de travail

- a) **Veillez toujours à garder votre espace de travail propre et bien éclairé.** Les espaces mal rangés et sombres peuvent être la cause d'accidents.
- b) **N'utilisez pas les appareils électriques dans des environnements susceptibles d'explosion, par exemple en présence de liquides inflammables, de gaz ou de particules.** Les appareils électriques provoquent des étincelles qui peuvent enflammer les particules des émanations.
- c) **Veillez à garder éloignés les enfants et les personnes se trouvant dans votre voisinage, lors de l'utilisation d'un appareil électrique.** Les distractions peuvent vous faire perdre le contrôle de l'appareil.

2) Mesures de sécurité électriques

- a) **Les prises des appareils électriques doivent être raccordées à la prise murale correspondante. Ne modifiez jamais la prise de l'appareil, de quelque façon que ce soit. N'utilisez pas d'adaptateurs qui mettent les appareils électriques à la terre (mise à la masse).** Des prises non modifiées et branchées à la prise murale correspondante

réduiront les risques de choc électrique.

- b) **Évitez le contact direct avec les surfaces mises à la terre ou mises à la masse comme les canalisations, les radiateurs, les cuisinières et les réfrigérateurs.** En effet, le risque de choc électrique s'accroît si votre corps est mis à la terre ou à la masse.
- c) **N'utilisez pas d'outils électriques dans des environnements pluvieux ou humides.** Si de l'eau s'introduit dans un appareil électrique, le risque de choc électrique augmentera.
- d) **N'utilisez pas le câble de manière abusive. N'utilisez jamais le câble pour transporter, tirer ou débrancher l'appareil électrique. Veillez à garder le câble éloigné des sources de chaleur, des huiles, des rebords coupants ou des pièces actionnées.** Les câbles endommagés ou entremêlés augmentent le risque de choc électrique.
- e) **Lorsque un appareil est utilisé à l'extérieur, utilisez uniquement un câble prolongateur prévu à cet effet.** L'utilisation d'un câble à usage extérieur réduit le risque de choc électrique.
- f) **Si vous êtes contraint d'utiliser un outil électrique dans un environnement humide, utilisez une alimentation protégée par un dispositif à courant résiduel (RCD).** L'utilisation d'un RCD réduit le risque de décharge électrique.

3) Sécurité personnelle

- a) **Restez vigilant, gardez un œil sur ce que vous faites et utilisez votre sens commun lors de l'utilisation d'un appareil électrique. N'utilisez pas un appareil électrique si vous êtes fatigué ou si vous êtes sous l'influence de drogues, d'alcool ou si vous prenez des médicaments.** Un moment d'inattention lors de l'utilisation des appareils électriques peut entraîner des blessures graves.
- b) **Utilisez un équipement de protection personnelle. Protégez-vous toujours les yeux.** Les équipements de protection, tels qu'un masque à poussière, des chaussures antidérapantes, des protections auditives ou un casque de sécurité, utilisés dans de bonnes conditions, réduiront le risque de blessures.
- c) **Prévenez tout démarrage involontaire. Assurez-vous que l'interrupteur est sur la position "arrêt avant de brancher l'appareil.** En effet, le transport des appareils électriques en gardant vos doigts sur l'interrupteur, ou le branchement de ces appareils en ayant l'interrupteur sur

"marche accidents.

- d) **Retirez les clés de réglage ou les clés de vis de réglage avant d'allumer l'appareil électrique.** Une clé de vis de réglage ou une clé, laissée sur une pièce en mouvement de l'appareil électrique, peut entraîner des lésions corporelles.
 - e) **Ne pas se précipiter. Gardez toujours vos pieds à plat et gardez votre équilibre.** Ceci permet de mieux contrôler l'appareil électrique dans des situations imprévues.
 - f) **Habilitez-vous convenablement. Ne portez pas de vêtements lâches ou de bijoux. Gardez vos cheveux, vêtements et gants éloignés des pièces actionnées.** En effet, ces derniers peuvent être pris dans les pièces en action.
 - g) **Si les appareils sont fournis pour la connexion des équipements d'évacuation et de récupération de la poussière, assurez-vous que ces derniers soient correctement connectés et utilisés.** L'utilisation de ces appareils peut réduire les risques liés à la poussière.
 - h) **Ne pensez pas être familiarisé avec l'outil après l'avoir utilisé à de nombreuses reprises, au point de ne plus rester vigilant et d'en oublier les consignes de sécurité.** Toute action imprudente peut engendrer de graves blessures en une fraction de seconde.
- ### 4) Utilisation et entretien d'un appareil électrique
- a) **Ne forcez pas l'appareil électrique. Utilisez l'appareil électrique adéquat pour votre application.** Un appareil électrique correctement choisi assurera un meilleur travail et un travail sans danger, au rythme auquel il a été conçu.
 - b) **N'utilisez pas l'appareil électrique si l'interrupteur marche/arrêt ne fonctionne pas.** Un appareil électrique qui ne peut pas être commandé par l'interrupteur de contrôle est dangereux et doit être réparé.
 - c) **Débranchez la prise du bloc d'alimentation avant d'effectuer des réglages, de changer des accessoires, ou de ranger les appareils électriques.** Ces mesures de sécurité préventives réduiront le risque de démarrage involontaire de l'appareil électrique.
 - d) **Rangez les appareils électriques arrêtés hors de la portée des enfants et ne laissez aucune personne, non familiarisée avec l'outil ou ces instructions, utiliser l'appareil électrique.** Les appareils électriques sont dangereux entre les mains d'utilisateurs non formés.

- e) **Entretenez les appareils électriques. Vérifiez tout défaut d'alignement et l'enchaînement des pièces actionnées, la rupture de ces dernières, et les autres conditions qui peuvent affecter le fonctionnement des appareils électriques. En cas de dommages, faites réparer l'appareil électrique avant de le réutiliser.** Nombreux sont les accidents provoqués par des appareils électriques mal entretenus.
- f) **Veillez à garder les outils coupants aiguisés et propres.** Des outils coupants correctement entretenus avec des lames aiguisées sont moins susceptibles de se bloquer et sont plus faciles à contrôler.
- g) **Utilisez l'appareil électrique, les accessoires et les embouts, etc., conformément à ces instructions et de la manière prévue pour le type spécifique de l'appareil électrique, en prenant en compte les conditions de travail et le travail à effectuer.** L'utilisation de l'appareil électrique dans des applications différentes de celles prévues peut entraîner des situations dangereuses.
- h) **Gardez les poignées et les surfaces de préhension sèches, propres et exemptes d'huile et de graisse.** Des poignées et des surfaces de préhension glissantes ne permettent pas de manipuler et de contrôler l'outil correctement en cas de situations inattendues.
- i) **Gardez les poignées et les surfaces de préhension sèches, propres et exemptes d'huile et de graisse.** Des poignées et des surfaces de préhension glissantes ne permettent pas de manipuler et de contrôler l'outil correctement en cas de situations inattendues.
- 5) Utiliser et soigner les outils à batterie**
- a) **Rechargez la batterie uniquement avec le chargeur spécifié par le fabricant.** Un chargeur adapté à une certaine batterie peut être cause de danger d'incendie quand on l'utilise avec une batterie différente.
- b) **Utilisez chaque outil uniquement avec la batterie conçue pour lui.** L'utilisation de toute autre batterie peut être cause de danger de blessure ou d'incendie.
- c) **Lorsque une batterie n'est pas en usage, gardez-la hors d'atteinte d'objets métalliques tels que les trombones, pièces de monnaie, clés, clous, vis et autres petits objets métalliques pouvant faire le contact entre une borne et l'autre.** Un court-circuit entre les bornes de la batterie peut être cause de brûlures ou d'incendie.
- d) **Dans des circonstances extrêmes, du liquide peut gicler hors de la batterie ; évitez tout contact. En cas de contact accidentel, rincez à l'eau. En cas de contact du liquide avec les yeux, consultez un médecin.** Le liquide qui gicle d'une batterie peut causer irritations ou brûlures.
- e) **N'utilisez pas un bloc-batterie ou un outil endommagé ou modifié.** Une batterie endommagée ou altérée peut avoir un comportement imprévisible qui peut conduire à un incendie, une explosion ou un risque de blessure.
- f) **N'exposez pas le bloc-batterie ou l'outil au feu ou à des températures excessives.** L'exposition au feu ou à des températures dépassant 130 °C peut provoquer une explosion. REMARQUE La température de "130°C" peut être remplacé par la température de "265°F".
- g) **Respectez les instructions pour la charge et ne rechargez pas le bloc-batterie ou l'outil à une plage de températures hors de celle spécifiée dans les instructions.** Une charge mal effectuée ou à des températures hors de la plage spécifiée peut endommager la batterie et augmente le risque d'incendie.
- 6) Maintenance**
- a) **L'entretien de votre outil électrique doit être confié à un réparateur qualifié qui utilise uniquement des pièces de rechange identiques aux pièces d'origine.** Cela permet d'assurer la sécurité de l'outil électrique.
- b) **Ne réparez jamais des blocs-batteries endommagés.** Les réparations sur les blocs-batteries ne doivent être effectuées que par le fabricant ou l'un de ses prestataires de services agréés.

CONSIGNES DE SÉCURITÉ SUPPLÉMENTAIRES PROPRES AUX COUPE-BORDURES

- Ne laissez jamais les enfants et les personnes ne connaissant pas ces instructions utiliser le coupe-bordure. Il se peut que la réglementation locale impose des restrictions quant à l'âge de l'utilisateur. Lorsqu'il n'est pas utilisé, rangez le coupe-bordure hors de portée des enfants.
- Ne faites jamais fonctionner le coupe-bordure si l'un de ses carters de protection ou déflecteurs est manquant, cassé ou mal positionné.
- Avant d'utiliser la machine ou après un choc, contrôlez l'absence de signes d'usure ou de

dommages et faites effectuer les réparations nécessaires.

- Ne faites jamais fonctionner le produit si vous êtes fatigué, malade ou sous l'influence d'alcool, de drogue ou de médicaments.
- Veillez à toujours porter des pantalons à jambes longues, des bottes et des gants. Veillez à ne jamais porter de vêtements amples, de bijoux, de shorts, de sandales et à ne jamais travailler pieds nus.
- Veillez à porter des protections oculaires et auditives pour utiliser la machine.
- Gardez les pieds bien ancrés au sol et conservez votre équilibre. Ne vous penchez pas.
- Ne travaillez jamais avec le coupe-bordure si des personnes, et particulièrement des enfants ou des animaux, sont à proximité.
- Patientez que la bobine de fil se soit complètement immobilisée avant de la toucher. Le fil continue à tourner après l'extinction du coupe-bordure et il peut provoquer des blessures.
- Veillez à uniquement travailler de jour ou avec un excellent éclairage artificiel.
- Évitez d'utiliser le coupe-bordure en cas d'intempéries et particulièrement en cas d'orage.
- Le fait d'utiliser le coupe-bordure dans de l'herbe mouillée réduit son efficacité.
- Éteignez le coupe-bordure pour le transporter d'une zone de travail à une autre.
- Ne démarrez le moteur que si vos pieds et vos mains sont loin des organes de coupe.
- Ne placez pas vos mains et vos pieds près du système de coupe.
- Retirez la batterie avant de remplacer la bobine de fil.
- N'installez jamais aucun élément de coupe métallique sur ce coupe-bordure.
- Veillez à inspecter et à entretenir le coupe-bordure régulièrement.
- Ne faites réparer le coupe-bordure que par des prestataires de service agréés.
- Veillez à ce que les fentes d'aération restent exemptes de débris.
- Retirez la batterie:
 - *Quand vous laissez la machine sans surveillance, même peu de temps;*
 - *Avant de remplacer le fil de coupe;*
 - *Avant de nettoyer ou d'intervenir d'une façon ou d'une autre sur le coupe-bordure.*
- Veillez à ranger la machine dans un endroit sec, hors de portée des enfants. Ne posez aucun

autre objet sur le dessus de la machine.

- Ne faites pas fonctionner la machine si l'attache du fil n'est pas en place.

AVERTISSEMENTS DE SECURITE POUR L'ACCU

- a) **Ne pas ouvrir l'accu.** Risque de court-circuit.
- b) **Protéger l'accu de toute source de chaleur, comme p. ex. l'exposition directe au soleil, au feu, à l'eau et à l'humidité.** Il y a risque d'explosion.
- c) **En cas d'endommagement et d'utilisation non conforme de l'accu, des vapeurs peuvent s'échapper. Ventilier le lieu de travail et, en cas de malaises, consulter un médecin.** Les vapeurs peuvent entraîner des irritations des voies respiratoires.
- d) **N'utilisez l'accumulateur qu'avec votre produit Vonroc.** Ceci protège l'accumulateur contre une surcharge dangereuse.
- e) **Les objets pointus comme un clou ou un tournevis et le fait d'exercer une force extérieure sur le boîtier risque d'endommager l'accu.** Il peut en résulter un court-circuit interne et l'accu risque de s'enflammer, de dégager des fumées, d'exploser ou de surchauffer.

AVERTISSEMENTS DE SECURITE POUR LE CHARGEUR

Utilisation prévue

Chargez uniquement à l'aide de la batterie Li-ion rechargeable CD801AA un CD803AA. Tout autre type de batterie est susceptible d'éclater et de provoquer des blessures et des dommages matériels.

- a) **L'appareil n'est pas destiné à être utilisé par des personnes (notamment des enfants) souffrant de déficiences physiques, sensorielles ou mentales, ou par des personnes inexpérimentées ou non formées. Toute utilisation doit se faire sous la surveillance d'une personne responsable et avec les instructions appropriées.**
- b) **Même sous surveillance, les enfants ne doivent pas jouer avec l'appareil.**
- c) **Ne rechargez pas les batteries non rechargeables!**
- d) **Veillez effectuer la recharge des batteries dans un endroit bien ventilé!**

2. INFORMATIONS SUR LA MACHINE

Utilisation prévue

Le coupe-bordure a été développé pour couper la pelouse et l'herbe, sous les buissons et dans les pentes. Le coupe-bordure est idéal pour entretenir les bordures qui ne peuvent pas être atteintes avec une tondeuse. L'utilisation prévue prévoit un fonctionnement à une température ambiante comprise entre 0°C et 45°C. N'utilisez pas cette machine sous la pluie.

SPÉCIFICATIONS TECHNIQUES



Ce manuel a été élaboré pour plusieurs kits / numéros d'articles différents. Consultez le numéro d'article correspondant à votre produit dans le tableau des caractéristiques qui suit pour obtenir la composition et le contenu corrects de votre kit.

N° de modèle	Batteries incluses	Chargeur inclus
GT501DC	-	-
S_GT501DC	CD801AA	CD802AA
S2_GT501DC	2 x CD801AA	CD802AA
S3_GT501DC	CD803AA	CD802AA

Informations sur la machine	
Tension	20V
Perche télescopique	420-700 mm
Réglage de l'inclinaison de la perche	0° - 90°
Tête réglable	0° - 90°
Vitesse à vide	8.000/min
Diamètre de coupe	250 mm
Système de coupe	Bobine à 2 fils, avance du fil par frappe au sol Ø1,2mm x 8m
Poids (sans la batterie)	2,1 kg
Niveau de pression sonore LPA	71,2 dB(A) K=3 dB(A)
Niveau de puissance sonore LWA	88,2 dB(A), K=3 dB(A))
Valeur des vibrations	6,918 m/s ² K=1,5 m/s ²

N° de modèle	CD801AA
Type de batterie	Lithium-Ion
Tension	20V
Capacité	2,0 Ah
Chargeurs recommandés	CD802AA
Poids	0,3 kg

N° de modèle	CD802AA
Entrée chargeur	220-240V, 50Hz 0,4A
Sortie chargeur	21V 2,5A
Durée de charge 2Ah Batterie	60 minutes
Durée de charge 4Ah Batterie	120 minutes
Accus recommandés	CD801AA, CD803AA
Poids	0,36 kg

N° de modèle	CD803AA
Type de batterie	Lithium-Ion
Tension	20V
Capacité	4,0 Ah
Chargeurs recommandés	CD802AA
Poids	0,65 kg

Valeur garantie selon la directive bruit: Lwa 96db (A)

N'utilisez que les batteries suivantes de la plateforme Batterie VONROC VPOWER 20V. L'utilisation de toute autre batterie pourrait provoquer de graves blessures ou endommager l'outil.
 CD801AA 20V, 2Ah Lithium-Ion
 CD803AA 20V, 4Ah Lithium-Ion

Le chargeur suivant peut être utilisé pour recharger ces batteries.
 CD802AA Chargeur rapide

Les batteries de la plateforme Batterie VONROC VPOWER 20V sont interchangeables pour tous les outils de la plateforme Batterie VONROC VPOWER 20V.

Niveau de vibrations

Le niveau des vibrations émises, indiqué dans ce manuel, a été mesuré conformément à la procédure décrite par la norme EN 50636-2-91. Il peut être utilisé pour comparer deux outils ou pour réaliser une estimation préalable de l'exposition aux vibrations lors de l'utilisation de l'outil pour les applications mentionnées.

- L'utilisation de l'outil dans d'autres applications ou avec des accessoires différents ou mal entretenus peut considérablement augmenter le niveau d'exposition.
- La mise hors tension de l'outil et sa non-utilisation pendant qu'il est allumé peuvent considérablement réduire le niveau d'exposition.

Protégez-vous contre les effets des vibrations par un entretien correct de l'outil et de ses accessoires, en vous échauffant les mains et en organisant vos rythmes de travail.

DESCRIPTION

Les numéros dans le texte renvoient aux diagrammes des pages 2 à 5.

1. Batterie (non incluse)
2. Bouton de libération de la batterie
3. Indicateur du niveau de charge de la batterie
4. Chargeur (non incluse)
5. Voyants du chargeur
6. Interrupteur Marche/Arrêt
7. Interrupteur de sécurité
8. Poignée avant
9. Bouton de la poignée avant
10. Carter de protection
11. Vis
12. Garde
13. Roulette latérale
14. Porte-roulette latérale
15. Cache-bobine
16. Rouleau de la bobine
17. Ressort de la bobine
18. Porte-bobine
19. Sommet rouleau de la bobine
20. Bouton de réglage de la tête du coupe-bordure
21. Bague de réglage de la tête du coupe-bordure
22. Bague de réglage inférieure
23. Manche supérieur
24. Manche inférieur
25. Bouton indicateur de batterie

3. ASSEMBLAGE



Avant d'intervenir d'une quelconque façon sur l'outil électrique, retirez la batterie.



Avertissement! N'utilisez pas le coupe-bordure sans son carter de protection.



La machine doit être rechargée avant la première utilisation.

Installer la batterie dans la machine (Fig. C1)



Veillez à ce que l'extérieur de la batterie soit propre et sec avant de la raccorder au chargeur ou à la machine.

1. Insérez la batterie (1) dans la base de la machine, comme illustre à la Fig. C1.
2. Poussez la batterie vers l'avant jusqu'à ce qu'elle s'enclenche.

Retirer la batterie de la machine (Fig. C1)

1. Poussez le bouton de déverrouillage de la batterie (2).
2. Retirez la batterie de la machine, comme illustre à la Fig. C1.

Contrôle de l'état de charge de la batterie (Fig. C2)

- Pour vérifier l'état de charge de la batterie, appuyez brièvement sur le bouton (25) de la batterie.
- Quatre voyants indiquent le niveau de charge de la batterie. Plus il y a de voyants allumés, plus la charge est importante.
- Lorsque les voyants sont éteints cela indique que la batterie est vide et qu'elle doit être rechargée immédiatement.

Recharge de la batterie avec le chargeur (Fig. C2)

1. Retirez la batterie (1) de la machine.
2. Retournez la batterie (1) et faites-la glisser dans le chargeur (4), comme illustre à la Fig. C2.
3. Enfoncez la batterie tout au fond du logement.
4. Branchez la fiche du chargeur dans une prise électrique et patientez. Les indicateurs à LED sur le chargeur (5) s'allument et indiquent l'état du chargeur.

Le chargeur possède deux indicateurs à LED (5) qui indiquent l'état du processus de charge:

État de l'indicateur à LED rouge	État de l'indicateur à LED vert	État du chargeur
Éteint	Éteint	Aucune alimentation
Éteint	Allumé	Mode veille: - Aucune batterie n'est insérée ou - La batterie est insérée, mais la charge s'est achevée
Allumé	Éteint	Batterie en cours de charge

- Il faut compter jusqu'à 60 minutes pour recharger complètement la batterie 2Ah.
- Il faut compter jusqu'à 120 minutes pour recharger complètement la batterie 4Ah.

Lorsque la batterie est entièrement chargée, débranchez le chargeur de la prise secteur et retirez la batterie du chargeur.



Quand la machine n'est pas utilisée pendant une période prolongée, il est préférable d'entreposer la batterie rechargée.

Installer le carter de protection (Fig. B1)

- Installez le carter de protection (10) sur le boîtier de la tête du coupe-bordure.
- Fixez le carter de protection à l'aide de la vis (11) fournie.

Installer la garde (Fig. B2)

- Pincez les extrémités de la garde (12) et glissez-les dans les trous du boîtier de la tête de coupe.
- La garde peut être réglée à différentes distances. Pour régler la garde, il suffit de simplement de l'enfoncer ou de la sortir plus.

Installer la poignée avant (Fig. D1)

- Placez la poignée (8) sur le support qui se trouve sur le manche supérieur.
- Installez le boulon dans le trou hexagonal et installez le bouton (9) sur le boulon.

Régler la poignée avant (Fig. D2)

- Dévissez légèrement le bouton (9) puis enfoncez ou tirez la poignée avant (8) jusqu'à la position voulue. La poignée peut être abaissée, relevée ou pivotée autour du manche.



Veillez à toujours utiliser la roulette latérale quand vous utilisez la machine près de trottoirs.

Installer la roulette latérale (Fig. E)

- Glissez la roulette latérale (13) par-dessus le porte-roulette latérale (14).

Installer la bobine de fil (Fig. F1)



Supprimez tous les débris de la machine avant de remplacer la bobine.

- Placez le ressort (17) dans le porte-bobine (18). Veillez à ce que la partie la plus large du ressort se trouve sur la tête du coupe-bordure.
- Placez le rouleau de la bobine (16) par-dessus le ressort (17). Veillez à ce que les fils passent par les trous à l'intérieur du porte-bobine (18). (Fig. F2)
- Couvrez le rouleau de la bobine avec le cache-bobine (15) et fixez le tout en tournant légèrement le cache.

Remplacer la bobine de fil (Fig. F1)

- Retirez le cache-bobine (15).
- Sortez le rouleau de la bobine (16) en veillant à laisser le ressort (17) à l'intérieur.
- Prenez la bobine neuve (GT801AA) et placez-la par-dessus le ressort (17). Veillez à ce que les fils passent par les trous à l'intérieur du porte-bobine (18). (Fig. F2)
- Couvrez le rouleau de la bobine neuve avec le cache-bobine (15) et fixez le tout en tournant légèrement le cache.

4. FONCTIONNEMENT

Utiliser le système d'avance du fil par frappe au sol (Fig. G)

- Lorsque le fil devient trop court, allumez la machine et appuyez le sommet du rouleau de la bobine (19) sur le sol (assurez-vous de la faire sur une surface dure).
- Cela permet de libérer du fil pour le rallonger.
- Le fil est automatiquement coupé à la bonne

longueur par la lame qui se trouve sur le carter de protection (10).

- L'interrupteur Marche/Arrêt (6) et l'interrupteur de sécurité (7) doivent être actionnés en même temps pour pouvoir démarrer le moteur. Si l'un des deux interrupteurs est relâché, l'outil est conçu pour s'arrêter rapidement.

Incliner la tête du coupe-bordure (Fig. H)



Veillez garder la machine éteinte et à retirer la batterie.

- Enfoncez le bouton (20) de la tête du coupe-bordure pour incliner la tête dans la position voulue.
- Une fois le bouton relâché, la tête s'enclenche et se verrouille dans la position choisie.

Tourner la tête du coupe-bordure (Fig. I)

- Enfoncez la bague (21) vers la tête du coupe-bordure pour tourner la tête dans la position voulue.
- Une fois la bague relâchée, la tête s'enclenche et se verrouille dans la position choisie.

Régler la hauteur de la perche (Fig. J)

- Pour régler la hauteur de la machine, desserrez la bague de réglage inférieure (22).
- Poussez doucement le manche inférieur (24) vers le bas ou le haut par rapport au manche supérieur (23).
- Resserrez la bague de réglage inférieure (22) pour figer la hauteur de la machine.

Utiliser le coupe-bordure



Avant chaque utilisation, contrôlez toujours que la machine et ses pièces sont correctement installées et qu'elles ne sont ni usées, ni endommagées.

- Pour votre propre sécurité et afin d'obtenir les meilleurs résultats possible, veillez à lire les conseils d'utilisation qui suivent et ne pas utiliser ce produit à d'autres fins que celles prévues.
- Ce coupe-bordure est destiné à couper de l'herbe. Toute autre utilisation non spécifiquement autorisée dans ce manuel peut conduire à endommager le coupe-bordure et à blesser son utilisateur.

Caractéristiques liées de sécurité

- Le carter de protection est équipé d'une lame qui sert à couper le fil à la bonne longueur. Afin de réduire tout risque de blessures, veillez à ne pas toucher la lame.

Mise en marche et extinction

- Pour allumer le coupe-bordure, appuyez simultanément sur l'interrupteur de sécurité (7) et sur l'interrupteur Marche/Arrêt (6).
- Pour éteindre machine, relâchez l'un des deux interrupteurs.

5. ENTRETIEN



Avant le nettoyage et l'entretien, mettez toujours la machine hors tension et retirez la batterie de la machine.

Nettoyez le corps de la machine régulièrement au moyen d'un chiffon doux, de préférence après chaque utilisation. Vérifiez que les ouvertures d'aération ne sont pas obstruées ni sales. Utilisez un chiffon doux légèrement humidifié avec de la mousse de savon pour nettoyer les taches persistantes. N'utilisez pas de produits de nettoyage tels que l'essence, l'alcool, l'ammoniac, etc.; ces produits peuvent endommager les parties synthétiques.

ENVIRONNEMENT



Les équipements électroniques ou électriques défectueux ou destinés à être mis au rebut doivent être déposés aux points de recyclage appropriés.

Uniquement pour les pays de l'UE

Ne jetez pas les outils électriques avec les déchets domestiques. Selon la Directive européenne 2012/19/CE relative aux déchets d'équipements électriques et électroniques et sa mise en oeuvre dans le droit national, les outils électriques hors d'usage doivent être collectés séparément et mis au rebut de manière écologique.

GARANTIE

Les produits VONROC sont développés aux plus hauts standards de qualité et ils sont garantis contre les défauts de pièces et de main d'oeuvre pendant la durée légale stipulée à partir de la

date d'achat d'origine du produit. En cas d'une quelconque panne du produit pendant cette durée qui serait due à un défaut matériel et/ou de main d'oeuvre, contactez directement VONROC.

Les circonstances suivantes ne sont pas prises en charge par la garantie:

- Des réparations ou altérations ont été effectuées ou tentées sur la machine par un centre de réparation non agréé.
- L'usure normale.
- L'outil a été maltraité, mal utilisé ou mal entretenu.
- Des pièces détachées non d'origine ont été utilisées.

Ceci constitue l'unique garantie accordée par la société explicitement ou implicitement. Il n'existe aucune autre garantie, explicite ou implicite, qui peut s'étendre au delà du contenu ici présent, y compris les garanties marchandes ou d'adaptation à des fins particulières. En aucun cas VONROC ne sera tenu responsable de dommages accidentels ou consécutifs. Les solutions proposées par les revendeurs devront se limiter à la réparation ou le remplacement des éléments ou pièces non conformes.

Le produit et le manuel d'utilisation sont sujets à modifications. Les spécifications peuvent changer sans préavis.

1. INSTRUCCIONES DE SEGURIDAD

Lea las advertencias de seguridad, las advertencias de seguridad adicionales y las instrucciones adjuntas. De no respetarse las advertencias de seguridad y las instrucciones, podrían producirse descargas eléctricas, incendios y/o lesiones graves. Conserve las advertencias de seguridad y las instrucciones para su posterior consulta.

Los siguientes símbolos se utilizan en el manual de usuario o en el producto:



Lea el manual de usuario.



Denota riesgo de lesiones personales, pérdida de vida o daños a la herramienta en caso de incumplimiento de las instrucciones del presente manual.



Riesgo de descarga eléctrica.



Use protectores auditivos.



¡Use siempre protectores oculares!



Use mascarilla antipolvo.



Use guantes de protección.



Use botas de protección.



No exponer a la lluvia.



Máquina de clase II - Doble aislamiento - No necesita enchufe con puesta a tierra.



Fusible cinta miniatura de tipo retardado.



Temperatura máx. 45°C.



No arroje la batería al fuego.



No arroje la batería al agua.



Recogida selectiva de la batería de iones de litio.



No tire el producto en contenedores inadecuados.



El producto es conforme a las normas de seguridad aplicables según las directivas europeas.



Antes de realizar la limpieza y el mantenimiento, apague siempre la máquina y extraiga la batería de la máquina.



Nivel de potencia sonora garantizado
LWA = 96 dB(A)

INSTRUCCIONES GENERALES DE SEGURIDAD



PRECAUCIÓN! Lea todas las advertencias de seguridad y todas las instrucciones. Si no lo hace, el uso indebido puede acarrear cortocircuitos, fuego o lesiones graves.

Conserve estas instrucciones.

El término "herramienta eléctrica", en todas las advertencias enumeradas a continuación se refiere a su herramienta eléctrica (i nalámbrica) que funciona con una batería o a través de la red eléctrica.

1) Área de trabajo

- Trabaje en un lugar limpio y bien iluminado.** Lugares no iluminados o sucios propician accidentes.
- No use herramientas eléctricas donde haya riesgo de fuego o explosión, p.ej: cerca de líquidos o gases inflamables, polvo etc.** Las herramientas eléctricas producen chispas que pueden producir la ignición de partículas de humo.
- Mantenga a los niños y otras personas alejados mientras utiliza la herramienta eléctrica.** Las distracciones pueden hacer que pierda el control de la herramienta.

2) Seguridad eléctrica

- Cerciórese de que las clavijas de la herramienta eléctrica están correctamente enchufadas. Nunca modifique la clavija. No utilice ningún adaptador para la clavija de una herramienta eléctrica con conexión a tierra.** Las clavijas que no se hayan cambiado y los enchufes adecuados reducen el riesgo de cortocircuitos.
- Evite el contacto humano con superficies con conexiones a tierra como tubos metálicos, conductos, tubos de la calefacción, radiadores y refrigeradores.** El riesgo de cortocircuitos es mayor cuando el cuerpo está en contacto con el suelo.
- No use herramientas eléctricas bajo la lluvia**

o en entornos húmedos. Si entra agua en una herramienta eléctrica aumenta el riesgo de cortocircuito.

- No utilice el cable para todo. Nunca utilice el cable para mover la máquina, empujarla o sacar la clavija del enchufe. Mantenga el cable alejado del calor, aceite, zonas cortantes o piezas en movimiento.** Los cables dañados o enredados aumentan el riesgo de cortocircuito.
 - Use un cable alargador impermeable adecuado para exteriores cuando trabaje con la herramienta eléctrica al aire libre.** El riesgo de cortocircuito es menor si utiliza un cable alargador adecuado para exteriores.
 - Si no se puede evitar el uso de la herramienta eléctrica en un lugar húmedo, use suministro protegido mediante dispositivo diferencial residual (DDR).** El uso de un DDR reduce el riesgo de choque eléctrico.
 - No permita que la familiaridad adquirida con el uso frecuente de las herramientas le haga confiarse e ignorar los principios de seguridad de las herramientas.** Una acción descuidada puede causar lesiones graves en una fracción de segundo.
- #### 3) Seguridad personal
- No se descuide, preste atención a lo que está haciendo y utilice el sentido común mientras trabaje con esta herramienta. No use herramientas eléctricas cuando esté cansado o esté bajo los efectos del alcohol, las drogas o los medicamentos.** Un momento de distracción, mientras utilice la herramienta eléctrica, puede provocar lesiones personales graves.
 - Use equipo de protección individual. Use siempre gafas protectoras.** El uso en condiciones apropiadas del equipo de seguridad como por ejemplo: mascarilla antipolvo, zapatos antideslizantes de seguridad, casco o protección para los oídos, disminuye el riesgo de sufrir lesiones personales.
 - Evite arranques involuntarios. Asegúrese de que el interruptor está en la posición de apagado antes de conectarlo a la fuente de electricidad.** Transportar herramientas eléctricas con el dedo puesto sobre el interruptor o enchufarlas con el interruptor encendido puede causar accidentes.
 - Quite cualquier llave de ajuste antes de encender la herramienta eléctrica.** Una llave olvidada junto a una pieza móvil de la herramienta eléctrica puede provocar lesiones personales graves.

- e) **No se estire demasiado. Mantenga siempre el equilibrio y tenga los pies en el suelo.** Esto permite un mayor control de la herramienta eléctrica en situaciones inesperadas.
- f) **Vístase apropiadamente. No lleve prendas holgadas o joyas. Mantenga su pelo, ropa y guantes alejados de las piezas móviles.** Las prendas holgadas, las joyas y el pelo largo pueden quedar atrapados en las piezas móviles.
- g) **Si se han suministrado dispositivos para la extracción y recogida de polvo asegúrese de que estos estén conectados y se utilicen correctamente.** El uso de estos dispositivos puede reducir los riesgos relacionados con el polvo.
- h) **Mantenga las asas y las superficies de agarre secas, limpias y libres de aceite y grasa.** Las asas y las superficies de agarre resbaladizas no permiten un manejo y control seguros de la herramienta en situaciones inesperadas.
- 4) Utilización y cuidados de la herramienta eléctrica**
- a) **No fuerce la herramienta eléctrica. Utilice la herramienta eléctrica adecuada para el trabajo que vaya a realizar.** Una herramienta eléctrica apropiada realizará un trabajo mejor y más seguro si se utiliza para el objetivo con el que ha sido diseñada.
- b) **No use herramientas que no pueden encenderse o apagarse con el interruptor.** Las herramientas que ya no se puedan encender y apagar son peligrosas y deben repararse.
- c) **Desenchufe la clavija de la toma de electricidad antes de realizar modificaciones, cambiar accesorios o guardar las herramientas eléctricas.** Tales medidas de seguridad preventivas reducen el riesgo de la puesta en marcha accidental.
- d) **Mantenga a los niños alejados de una herramienta eléctrica sin utilizar y no permita a personas que no estén familiarizadas con la máquina o estas instrucciones utilizar la herramienta.** La herramienta eléctrica puede ser peligrosa cuando la utilicen personas sin experiencia.
- e) **Conserve sus herramientas cuidadosamente. Verifique cualquier desalineación o agarramiento de piezas móviles, piezas dañadas y cualquier otra causa, que pudiera repercutir en el buen funcionamiento de la herramienta eléctrica. Si la herramienta está estropeada, réparela antes de utilizarla.** Muchos de los accidentes están causados por un mantenimiento insuficiente del equipo eléctrico.
- f) **Mantenga las herramientas de corte limpias y afiladas.** Sierras con esquinas cortantes con un buen mantenimiento se bloquean menos y son más fáciles de controlar.
- g) **Utilice la herramienta eléctrica, accesorios y brocas etc. Siguiendo las instrucciones atendiendo al tipo de herramienta eléctrica y tenga en cuenta las condiciones de trabajo y el tipo de trabajo que se va a realizar.** Puede ser peligroso realizar trabajos con la herramienta diferentes de aquellos para los que está diseñada.
- 5) Uso y cuidado de las herramientas alimentadas por batería**
- a) **Recargue las baterías únicamente con el cargador recomendado por el fabricante.** Un cargador que es apto para un tipo de baterías determinado puede provocar riesgo de incendio si se usa para cargar otra clase de baterías.
- b) **Use las herramientas eléctricas sólo con las baterías indicadas específicamente.** El uso de otra clase de baterías diferente puede ocasionar el riesgo de derivar en lesiones o un incendio.
- c) **Cuando el paquete de baterías no esté en uso, consérvelo retirado de objetos metálicos como sujetapapeles, monedas, llaves, clavos, tornillos o cualquier otro objeto metálico pequeño que pueda hacer puente entre las terminales.** El contacto entre las terminales de la batería puede causar quemaduras o incendio.
- d) **Bajo condiciones extremas de abuso la batería podría expulsar un líquido; evite todo contacto. Si se produjese contacto accidentalmente, lávese bien con agua. Si el líquido hace contacto con los ojos, consulte también al médico.** El líquido emanado de la batería puede causar irritaciones o quemaduras.
- e) **No utilice una batería o una herramienta que esté dañada o modificada.** Las baterías dañadas o modificadas pueden presentar un comportamiento impredecible y provocar un incendio, una explosión o riesgo de lesiones.
- f) **No exponga una batería o una herramienta al fuego o a temperatura excesiva.** La exposición al fuego o a temperaturas superiores a 130 °C puede provocar una explosión. NOTA La temperatura "130 °C" puede sustituirse por la temperatura "265 °F".
- g) **Siga todas las instrucciones de carga y no cargue la batería o la herramienta fuera del rango de temperatura especificado en las instruccio-**

nes. La carga incorrecta o a temperaturas fuera del rango especificado puede causar daños a la batería y aumentar el riesgo de incendio.

6) Servicio

- a) **Haga reparar su herramienta eléctrica por una persona cualificada, usando solo piezas de repuesto idénticas.** Esto garantiza que se mantenga la seguridad de la herramienta eléctrica.
- b) **Nunca repare las baterías dañadas.** El mantenimiento de las baterías debe ser realizado solo por el fabricante o los proveedores de servicio autorizados.

INSTRUCCIONES DE SEGURIDAD ADICIONALES PARA DESBROZADORAS SIN CABLE

- Nunca permita que niños o personas que no estén familiarizadas con estas instrucciones usen la desbrozadora. Las normas locales pueden restringir la edad del operador. Cuando no use la desbrozadora, guárdela fuera del alcance de los niños.
- Nunca use la desbrozadora si le faltan las protecciones o pantallas o si las tiene rotas, o si no tiene las protecciones y las pantallas en su posición.
- Antes de usar la máquina después de que haya recibido un golpe, compruebe si tiene signos de desgaste o daños y, si es necesario, repárela.
- Nunca utilice el producto si está cansado, enfermo o bajo los efectos de alcohol, medicamentos o drogas.
- Lleve siempre pantalones largos y pesados, botas y guantes. No use ropa suelta, joyas, pantalones cortos ni sandalias, y nunca trabaje descalzo.
- Use protección ocular de seguridad y protectores auditivos cuando utilice la máquina.
- Manténgase firme y equilibrado. No se estire demasiado.
- Nunca trabaje con la desbrozadora si hay personas, especialmente niños, o mascotas cerca.
- Espere a que la línea del carrete se haya detenido completamente antes de tocarla. La línea del carrete sigue girando después de apagar la desbrozadora, y el hilo al girar puede causar lesiones.
- Trabaje solo a la luz del día o con buena luz artificial.
- Evite usar la desbrozadora si hay mal tiempo, especialmente en caso de riesgo de rayos.
- Utilizar la desbrozadora en el pasto mojado

disminuye la eficiencia de las prestaciones.

- Apague la desbrozadora cuando la desplace desde y hacia la zona de trabajo.
- Encienda el motor solo cuando tenga las manos y los pies alejados de los elementos de corte.
- No ponga las manos o los pies cerca del sistema de corte.
- Extraiga la batería antes de cambiar el carrete.
- Nunca coloque elementos metálicos cortantes en esta desbrozadora.
- Efectúe periódicamente controles y el mantenimiento de la desbrozadora.
- Haga reparar la desbrozadora solo por un agente de servicio al cliente autorizado.
- Compruebe siempre que las ranuras de ventilación estén libres de residuos.
- Extraiga la batería:
 - *cuando deje la máquina desatendida por cualquier lapso de tiempo;*
 - *antes de cambiar el hilo;*
 - *antes de limpiar o trabajar en la desbrozadora.*
- Guarde la máquina en un lugar seguro y seco alejado del alcance de los niños. No coloque otros objetos encima de la máquina.
- No utilice la máquina sin el accesorio del hilo instalado.

ADVERTENCIAS DE SEGURIDAD PARA LA BATERÍA

- a) **No abra la batería.** Existe peligro de cortocircuito.
- b) **Proteja la batería del calor, p. ej., de la luz solar intensa continua, los incendios, el agua y la humedad.** Peligro de explosión.
- c) **En caso de daño y uso incorrecto de la batería, esta puede emitir vapores. Ventile el área y consulte un médico si se siente mal.** Los vapores pueden irritar el sistema respiratorio.
- d) **Utilice la batería solo junto con su producto Vonroc.** Esta medida protege la batería de sobrecargas peligrosas.
- e) **La batería se puede dañar con objetos puntiagudos como clavos o destornilladores o si se somete a alguna fuerza exterior.** Puede producirse un cortocircuito interno que dé lugar a que la batería se incendie, emita humo, explote o se sobrecaliente.

TRADVERTENCIAS DE SEGURIDAD PARA EL CARGADOR

Uso previsto

Cargue solo las baterías recargables CD801AA y CD803AA con el cargador. Otros tipos de baterías pueden estallar y causar lesiones y daños.

- El aparato no debe ser usado por personas (incluidos niños) con capacidad física, sensorial o mental reducida, o que no tengan experiencia o conocimiento suficientes, salvo que hayan sido capacitadas o estén bajo supervisión.**
- Controle que los niños no jueguen con el aparato.**
- No recargue baterías no recargables.**
- Durante la carga, las baterías deben colocarse en un lugar bien ventilado.**

2. INFORMACIÓN SOBRE LA MÁQUINA

Uso previsto

La desbrozadora ha sido desarrollada para cortar césped y malezas, tanto debajo de arbustos como en pendientes. La desbrozadora es ideal para cortar bordes a los que no se puede acceder con el corta-césped. El funcionamiento está previsto dentro de los 0 °C y 45 °C de temperatura ambiente. No use la máquina bajo la lluvia.

ESPECIFICACIONES TÉCNICAS



Este manual ha sido redactado para diferentes números de juegos / artículos. Compruebe el número de artículo correspondiente en la siguiente tabla de especificaciones para conseguir la composición y el contenido correctos de su juego.

Modelo n.º	Baterías incluidas	Cargador incluido
GT501DC	-	-
S_GT501DC	CD801AA	CD802AA
S2_GT501DC	2 x CD801AA	CD802AA
S3_GT501DC	CD803AA	CD802AA

Información de la máquina

Tensión	20V
Pértiga telescópica	420-700 mm
Ajuste de ángulo de la pértiga	0° - 90°
Cabezal ajustable	0° - 90°
Velocidad en vacío	8.000/min
Diámetro de corte	250 mm
Sistema de corte	Carrete de 2 líneas de hilo, Ø Tap and go 1.2 mm x 8m
Peso (sin las pilas)	2,1 kg
Nivel de presión sonora LPA	71,2 dB(A) K=3 dB(A)
Nivel de presión sonora LWA	88,2 dB(A) K=3 dB(A)
Valor de vibración	6,918 m/s ² K=1,5 m/s ²

Modelo n.º	CD801AA
Tipo de batería	Iones de litio
Voltaje	20V
Capacidad	2,0 Ah
Cargador recomendado	CD802AA
Peso	0,3 kg

Modelo n.º	CD802AA
Entrada del cargador	220-240V, 50Hz 0,4A
Salida del cargador	21V 2,5A
Tiempo de carga de la batería de 2 Ah	60 minutos
Tiempo de carga de la batería de 4 Ah	120 minutos
Baterías recomendadas	CD801AA, CD803AA
Peso	0,36 kg

Modelo n.º	CD803AA
Tipo de batería	Lones de litio
Voltaje	20V
Capacidad	4,0 Ah
Cargador recomendado	CD802AA
Peso	0,65 kg

Valor garantizado según la directiva de ruido:
LwA 96db (A)

Use solo las siguientes baterías de la plataforma de baterías VONROC VPOWER 20V. El uso de cualquier otra batería puede causar lesiones graves o dañar la herramienta.

CD801AA 20V, 2 Ah de iones de litio

CD803AA 20V, 4 Ah de iones de litio

Para cargar estas baterías se puede utilizar el siguiente cargador de batería.

CD802AA Cargador rápido

Las baterías de la plataforma de baterías VONROC VPOWER 20V son intercambiables con todas las herramientas de la plataforma de baterías VONROC VPOWER 20V.

Nivel de vibración

El nivel de emisión de vibraciones indicado en este manual de instrucciones ha sido medido según una prueba estándar proporcionada en EN 50636-2-91 puede utilizarse para comparar una herramienta con otra y como valoración preliminar de la exposición a las vibraciones al utilizar la herramienta con las aplicaciones mencionadas.

- al utilizarla para distintas aplicaciones o con accesorios diferentes o con un mantenimiento deficiente, podría aumentar de forma notable el nivel de exposición.
- en las ocasiones en que se apaga la herramienta o cuando está funcionando pero no está realizando ningún trabajo, se podría reducir el nivel de exposición de forma importante.

Protéjase contra los efectos de la vibración realizando el mantenimiento de la herramienta y sus accesorios, manteniendo sus manos calientes y organizando sus patrones de trabajo.

DESCRIPCIÓN

Los números del texto se refieren a los diagramas de las páginas 2-5.

1. Batería
2. Botón de desbloqueo de la batería
3. Indicación de carga de la batería
4. Cargador
5. Indicadores de LED del cargador
6. Interruptor de encendido/apagado
7. Interruptor de seguridad
8. Empuñadura delantera
9. Pomo de la empuñadura delantera

10. Protector de seguridad
11. Tornillo
12. Parachoques
13. Rueda lateral
14. Portarrueda lateral
15. Tapa del carrete
16. Carrete de hilo
17. Muelle del carrete
18. Alojamiento del carrete
19. Punta del carrete
20. Pomo de ajuste del cabezal de corte
21. Anillo de ajuste del cabezal de corte
22. Anillo de ajuste inferior
23. Eje superior
24. Eje inferior
25. Botón de indicadores LED de batería

3. MONTAJE



Antes de realizar cualquier trabajo en la herramienta eléctrica, extraiga la batería.



¡Advertencia! No use la desbrozadora sin el protector.



Hay que cargar la máquina antes de usarla por primera vez.

Insertar la batería en la máquina (Fig. C1)



Compruebe que la parte exterior de la batería este limpia y seca antes de colocarla en el cargador o en la máquina.

1. Inserte la batería (1) en la base de la máquina como se muestra en la Fig. C1.
2. Pulse la batería mas hacia delante hasta que haga clic en su sitio.

Extraer la batería de la máquina (Fig. C1)

1. Apriete los botones de desbloqueo de la batería (2).
2. Saque batería de la máquina como se muestra en la Fig. C1.

Comprobación del estado de carga de la batería (Fig. C2)

- Para comprobar el estado de carga de la batería, apriete brevemente el botón (25) de la batería.
- La batería tiene 3 luces que indican el nivel de carga, cuantas mas luces esten encendidas, mas batería queda.

- Cuando las luces estan apagadas significa que la bateria esta vacia y debe cargarse inmediatamente.

Carga de la bateria con el cargador (Fig. C2)


1. Extraiga la bateria (1) de la maquina.
2. De vuelta la bateria (1) y deslicela en el cargador (4) como se muestra en la Fig C2.
3. Empuje la bateria hasta que quede totalmente colocada en la ranura.
4. Enchufe el enchufe del cargador en una toma de corriente electrica y espere un poco. Los indicadores de LED del cargador (5) se encenderan y mostraran el estado del cargador.

El cargador tiene 2 indicadores de LED (5) que indican el estado del proceso de carga:

LED de estado rojo	LED de estado verde	Estado de la carga
Desactivado	Desactivado	Sin alimentación
Desactivado	Activado	Modo espera: - No hay ninguna bateria insertada o, - Se ha insertado la bateria pero el proceso de carga ha finalizado
Activado	Desactivado	Carga de la bateria en curso

- La carga completa de la bateria de 2 Ah puede llevar hasta 60 minutos.
- La carga completa de la bateria de 4 Ah puede llevar hasta 120 minutos.

Despues de que la bateria este totalmente cargada, desenchufe el enchufe del cargador de la toma de corriente y extraiga la bateria del cargador.

 *Cuando la no vaya a utilizarse la maquina durante un periodo de tiempo prolongado, es conveniente guardar la bateria cargada.*

Montaje del protector (Fig. B1)

- Coloque el protector (10) en el alojamiento del cabezal de la desbrozadora.
- Fije el protector con el tornillo (11) suministrado.

Montaje del parachoques (Fig. B2)


- Apriete los extremos del parachoques (12) y deslícelos en los agujeros del alojamiento del cabezal de la desbrozadora.
- El parachoques se puede colocar a diferentes distancias de protección. Para ajustar el parachoques, solo tiene que presionar o tirar del riel.

Montaje de la empuñadura delantera (Fig. D1)

- Coloque la empuñadura (8) en el soporte montado en el eje superior.
- Coloque el perno en el agujero hexagonal y monte el pomo (9) en el perno.

Ajuste de la empuñadura delantera (Fig. D2)


- Desenrosque el pomo (9) ligeramente y presione o tire de la empuñadura delantera (8) hasta la posición deseada. Puede ser hacia abajo o hacia arriba y giratorio alrededor del eje superior.

 *Cuando use la máquina de lado, use siempre la rueda lateral.*

Montaje de la rueda lateral (Fig. E)

- Deslice la rueda lateral (13) en el portarueda (14).

Montaje del carrete (Fig. F1)

 *Antes de reemplazar el carrete, limpie la máquina de toda suciedad.*

- Coloque el resorte (17) en el alojamiento del carrete (18). Asegúrese de colocar el lado más ancho del resorte en el cabezal de la desbrozadora.
- Coloque el carrete (16) sobre el resorte (17). Compruebe que los hilos pasen por los agujeros interiores del alojamiento (18). (Fig. F2)
- Cubra el carrete con la tapa del carrete (15) y apriételo girando la tapa.

Cambio de carrete (Fig. F1)

- Extraiga la tapa del carrete (15).
- Saque el carrete (16) dejando el resorte (17) dentro.
- Tome el nuevo carrete (GT801AA) y colóquelo sobre el resorte (17). Compruebe que los hilos pasen por los agujeros interiores del alojamiento (18). (Fig. F2)
- Cubra el carrete con la tapa del carrete (15) y apriételo girando la tapa.

4. FUNCIONAMIENTO

Usar el sistema "tap and go" (Fig. G)

- Si el cable es demasiado corto, encienda la máquina y presione la punta del carrete (19) en el suelo (asegúrese de hacerlo en una superficie dura).
- Esto liberará el hilo para alargarlo.
- El cable será cortado a la longitud correcta automáticamente por la cuchilla montada en el protector. (10).

Inclinarse el cabezal de la desbrozadora (Fig. H)



Mantenga desconectada la corriente y desconecte la batería.

- Pulse el pomo (20) del cabezal de la desbrozadora para inclinar el cabezal en la posición deseada.
- Al soltar el pomo, el cabezal hará clic y se bloqueará en la posición elegida.

Girar el cabezal de la desbrozadora (Fig. I)

- Pulse el anillo (21) hacia abajo del cabezal de la desbrozadora para girar el cabezal hacia la posición deseada.
- Al soltar el anillo, el cabezal hará clic y se bloqueará en la posición elegida.

Ajustar la altura de la pértiga (Fig. J)

- Para ajustar la altura de la máquina, afloje el anillo de ajuste inferior (22).
- Empuje con cuidado el eje inferior (24) desde el eje superior (23) hacia abajo o hacia arriba.
- Apriete el anillo de ajuste inferior (22) para fijar la altura de la máquina.

Usar la desbrozadora



Antes de usar la desbrozadora, compruebe siempre visualmente que la máquina y sus piezas estén montadas correctamente y que no estén desgastadas ni dañadas.

- Por su propia seguridad y para conseguir mejores resultados, lea los siguientes consejos al usuario y no use este producto para ninguna otra cosa que no sea para lo que ha sido diseñado.
- Esta desbrozadora ha sido fabricada para cortar césped. Cualquier otro uso que no esté específicamente indicado en este manual podría causar daños a la desbrozadora y lesiones al usuario.

Características de seguridad

- El protector tiene una cuchilla para cortar el hilo a la longitud correcta. No toque la cuchilla para evitar la posibilidad de lesiones.
- El interruptor de encendido y apagado (6) y el de seguridad (7) deben accionarse juntos para arrancar el motor. Si se libera la presión en uno de los dos interruptores, la herramienta ha sido diseñada para detenerse rápidamente.

Encendido y apagado

- Para encender la desbrozadora, pulse al mismo tiempo el botón de seguridad (7) y el de arranque (6).
- Para apagarla, suelte uno o los dos botones.

5. MANTENIMIENTO



Antes de realizar la limpieza y el mantenimiento, apague siempre la máquina y extraiga el paquete de baterías de la máquina.

Limpie regularmente la carcasa de la máquina con un paño suave, preferentemente después de cada uso. Compruebe que los orificios de ventilación estén libres de polvo y suciedad. Elimine el polvo persistente utilizando un paño suave humedecido con agua y jabón. No use disolventes tales como gasolina, alcohol, amoníaco, etc. Tales productos químicos pueden dañar los componentes sintéticos.

MEDIOAMBIENTE



Los aparatos eléctricos o electrónicos defectuosos y/o desechados deben recogerse en lugares de reciclado apropiado.

Solo para países de la Comunidad Europea

No elimine las herramientas eléctricas como residuos domésticos. De acuerdo con la Directiva europea 2012/19/CE sobre residuos de aparatos eléctricos y electrónicos, y su transposición a las legislaciones nacionales, las herramientas eléctricas que ya no se utilizan deben recogerse por separado y eliminarse en modo ecológico.

CONDICIONES DE GARANTÍA

Los productos VONROC han sido desarrollados con los más altos estándares de calidad y VONROC garantiza que están exentos de defectos relacionados con los materiales y la fabricación durante el periodo legalmente estipulado, a contar desde la fecha de compra original. En caso de que el producto presente defectos relacionados con los materiales y/o la fabricación durante este periodo, póngase directamente en contacto VONROC.

La presente garantía se excluye en los siguientes casos:

- Si centros de servicios no autorizados han realizado o han intentado realizar reparaciones y/o alteraciones a la máquina.
- Si se ha producido un desgaste normal.
- Si la herramienta ha sido mal tratada o usada en modo impropio, o se ha realizado incorrectamente su mantenimiento.
- Si se han utilizado piezas de repuesto no originales.

La presente constituye la única garantía implícita y explícita que ofrece la compañía. No existen otras garantías explícitas o implícitas que excedan las citadas aquí, incluidas las garantías implícitas de comerciabilidad e idoneidad para una finalidad en especial. VONROC no será considerada responsable en ningún caso por daños incidentales o consecuentes. Los recursos a disposición de los distribuidores se limitan a la reparación o a la sustitución de las unidades o piezas no conformes.

El producto y el manual de usuario están sujetos a variaciones. Las especificaciones pueden variarse sin previo aviso.

1. ISTRUZIONI DI SICUREZZA

Leggere accuratamente gli avvisi di sicurezza, gli avvisi di sicurezza aggiuntivi e le istruzioni. La mancata osservanza degli avvisi di sicurezza e delle istruzioni potrebbe causare scosse elettriche, incendio e/o gravi lesioni. Mantenere gli avvisi di sicurezza e le istruzioni a portata di mano per future consultazioni.

I seguenti simboli sono utilizzati nel presente manuale utente o sul prodotto:



Leggere il manuale per l'utente.



Denota il rischio di lesioni personali, morte o danni all'utensile in caso di mancata osservanza delle istruzioni contenute nel presente manuale.



Rischio di scosse elettriche.



Indossare protezioni per l'udito.



Indossare sempre occhiali protettivi!



Indossare una mascherina antipolvere.



Indossare guanti di protezione.



Indossare stivali antinfortunistici.



Non esporre alla pioggia.



Apparecchio di Classe II - Doppio isolamento - Non è necessario il collegamento a terra.



Fusibile miniaturizzato a tempo ritardato.



Temperatura massima 45°C.



Non gettare la batteria nel fuoco.



Non gettare la batteria nell'acqua.



Raccolta differenziata per la batteria agli ioni di litio.



Non smaltire il prodotto in contenitori non idonei.



Il prodotto è conforme alle norme di sicurezza applicabili ai sensi delle direttive europee vigenti.



Prima di eseguire qualsiasi operazione di pulizia e intervento di manutenzione sull'elettrotensile, spegnerlo sempre e rimuovere la batteria dallo stesso.



Livello di potenza sonora garantito LWA = 96 dB(A)

REGOLE GENERALI DI SICUREZZA



ATTENZIONE! Leggere tutte le avvertenze di sicurezza e tutte le istruzioni. Se non si seguono tutte le istruzioni sotto elencate, si può incorrere in uno shock elettrico, in un incendio e/o in lesioni serie.

Conservare queste istruzioni.

Il termine "arnese elettrico" in tutti gli avvertimenti sotto elencati si riferisce al vostro arnese elettrico che funziona a corrente (con filo) o ad un arnese che funziona a pila (senza filo).

1) Area di lavoro

- Mantenere l'area di lavoro pulita e ben illuminata.** Aree buie e disordinate favoriscono gli incidenti.
- Non usare arnesi elettrici in atmosfere esplosive, come vicino ai liquidi infiammabili, gas o polveri.** Gli arnesi elettrici creano scintille che possono incendiare la polvere dei vapori.
- Tenere lontani bambini e altre persone mentre si accende l'arnese elettrico.** Le distrazioni possono farvi perdere il controllo.

2) Sicurezza elettrica

- Le spine dell'arnese elettrico devono andare bene per la presa di corrente. Non modificare mai la spina in alcun modo. Non usare alcun adattatore con arnesi elettrici a terra (messo a terra).** Spine non modificate che vanno bene per le prese di corrente ridurranno il rischio di shock elettrico.
- Evitare il contatto corporeo con superfici a terra come tubature, radiatori, fornelli e refrigeratori.** C'è un rischio maggiore di shock elettrico se il vostro corpo è a terra.
- Non esporre arnesi elettrici alla pioggia o a condizioni di umidità.** Se dell'acqua penetra nell'arnese elettrico aumenterà il rischio di shock elettrico.

- Non abusare del filo. Non usare mai il filo per trasportare, spingere o staccare dalla presa l'arnese elettrico. Tenere il filo lontano da calore, olio, bordi taglienti o parti mobili.** Fili danneggiati o aggrovigliati aumentano il rischio di shock elettrico.
- Quando si accende un arnese elettrico all'aperto, usare una prolunga adatta a tale uso.** Usare un filo adatto all'uso all'aperto ridurrà il rischio di shock elettrico.
- Se non è possibile evitare l'uso di un elettrotensile in ambiente umido, usare una rete di alimentazione protetta da un interruttore differenziale (salvavita).** L'uso di un salvavita riduce il rischio di scosse elettriche.

3) Sicurezza personale

- Stare vigili e attento quando si accende un arnese elettrico. Non usare un arnese elettrico mentre si è stanco o sotto l'effetto di droghe, alcool o medicinali.** Un momento di disattenzione mentre si accendono arnesi elettrici può causare delle gravi lesioni personali.
- Usare dispositivi di protezione individuale. Indossare sempre una protezione per gli occhi.** Dispositivi di sicurezza come mascherina per la polvere, scarpe di sicurezza antiscivolo, casco, o protezioni per le orecchie usate nelle appropriate condizioni, ridurranno le lesioni personali.
- Prevenire l'avvio accidentale. Assicurarsi che l'interruttore sia spento prima di collegarsi.** Trasportare elettrotensili tenendo il dito sull'interruttore di accensione o dare corrente ad elettrotensili con l'interruttore acceso può dare luogo a incidenti.
- Rimuovere ogni chiave regolatrice o chiave per dadi prima di accendere l'arnese elettrico.** Una chiave per dadi o una chiave lasciata attaccata ad una parte rotante dell'arnese elettrico può provocare lesioni personali.
- Cercare di mantenere l'equilibrio. Mantenere sempre un punto d'appoggio appropriato.** Questo consente un controllo migliore dell'arnese elettrico in situazioni inaspettate.
- Vestirsi adeguatamente. Non indossare vestiti larghi o gioielli. Tenere lontano capelli, vestiti e guanti dalle parti mobili.** Vestiti larghi, gioielli o capelli lunghi possono essere presi nelle parti mobili.
- Se vengono forniti dispositivi per la connessione dell'estrazione della polvere e attrezzature di**

raccolta, assicurarsi che questi siano collegati e usati correttamente. L'uso di questi dispositivi può ridurre i rischi correlati alla polvere.

- h) **Non lasciare che la confidenza acquisita dall'uso frequente induca l'utilizzatore ad assumere comportamenti imprudenti e a ignorare i principi di sicurezza per l'utensile.** Una semplice distrazione può provocare gravi lesioni personali in una frazione di secondo.
- 4) Uso e manutenzione dell'arnese elettrico**
- a) **Non forzare l'arnese elettrico. Usare l'arnese elettrico corretto per il vostro impiego.** L'arnese elettrico corretto farà il lavoro meglio e in maniera più sicura alla velocità per la quale è stato progettato.
- b) **Non usare l'arnese elettrico se l'interruttore non si accende o non si spegne.** Ogni arnese elettrico che non può essere controllato con l'interruttore è pericoloso e deve essere riparato.
- c) **Scollegare la spina dalla sorgente di elettricità prima di fare qualsiasi regolazione, cambiare gli accessori, o conservare arnesi elettrici.** Tali misure di sicurezza preventive riducono il rischio di accendere l'arnese elettrico accidentalmente.
- d) **Conservare gli arnesi elettrici inattivi fuori dalla portata dei bambini e non permettere a persone che non hanno confidenza con l'arnese elettrico o con queste istruzioni di usare l'arnese elettrico.** Gli arnesi elettrici sono pericolosi per utenti inesperti.
- e) **Mantenere gli arnesi elettrici. Controllare il non allineamento o l'attacco di parti mobili, la rottura di parti ed ogni altra condizione che può influire sul funzionamento degli arnesi elettrici. Se è danneggiato, far riparare l'arnese elettrico prima dell'uso.** Molti incidenti sono causati da arnesi elettrici mantenuti male.
- f) **Mantenere gli arnesi da taglio affilati e puliti.** È meno probabile che si attacchino degli arnesi da taglio mantenuti correttamente con tagli affilate e questi sono anche più facili da controllare.
- g) **Usare l'arnese elettrico, gli accessori e le parti dell'arnese ecc, secondo queste istruzioni e nel modo pensato per il particolare tipo di arnese elettrico, tenendo conto delle condizioni di lavoro e del lavoro da svolgere.** L'uso dell'arnese elettrico per operazioni diverse da quelle pensate potrebbe causare situazioni pericolose.
- h) **Mantenere le impugnature e le superfici di presa asciutte, pulite e libere da olio e grasso.** Impugnature e superfici di presa scivolose non consentono di maneggiare e controllare in sicurezza l'utensile in situazioni impreviste.
- 5) Uso e manutenzione dell'utensile a batteria**
- a) **Ricaricare l'apparecchio esclusivamente con il caricabatterie specificato dal fabbricante.** Se si utilizza un caricabatterie di diverso tipo potrebbero verificarsi incendi.
- b) **Utilizzare gli utensili elettrici solo con i pacchi batterie appositamente prescritti.** L'uso di pacchi batterie di diverso tipo aumenta il rischio di infortunio o incendio.
- c) **Quando il pacco batterie non è in uso, tenerlo lontano da oggetti metallici quali fermagli, monete, chiavi, chiodi, viti o altri piccoli oggetti metallici che potrebbero mettere in collegamento i due poli.** Se i poli vengono messi in corto circuito, la batteria potrebbe emettere scintille o fiammate.
- d) **In condizioni di uso scorretto, la batteria potrebbe emettere liquido: evitare pertanto di entrarvi in contatto. In caso di contatto accidentale, risciacquare con acqua. Se il liquido entra a contatto con gli occhi, consultare immediatamente un medico.** Il liquido emesso dalla batteria può causare irritazioni o ustioni.
- e) **Non utilizzare un pacco batterie o l'utensile se danneggiati o manomessi.** Pacchi batterie danneggiati o manomessi potrebbero avere comportamenti imprevisti con il rischio di incendiarsi, esplodere o provocare lesioni a persone.
- f) **Non esporre un pacco batterie o l'utensile alle fiamme o a temperature eccessivamente elevate.** L'esposizione alle fiamme o a temperature superiori a 130 °C potrebbe provocare un'esplosione. NOTA: la temperatura di "130 °C" corrisponde a "265 °F".
- g) **Seguire tutte le istruzioni per la ricarica e non caricare il pacco batterie o l'utensile a temperature che non rientrino nell'intervallo specificato nelle istruzioni.** Se si effettua la ricarica in modo improprio o a temperature non comprese nell'intervallo specificato, il pacco batterie potrebbe subire danni e potrebbe aumentare il rischio di incendi.
- 6) Riparazione**
- a) **L'assistenza per l'elettrotensile deve essere prestata da un tecnico qualificato che utilizzi soltanto ricambi originali.** In questo modo viene garantita la sicurezza dell'elettrotensile.
- b) **Non tentare di riparare pacchi batterie danneggiati.** La riparazione dei pacchi batteria deve

essere effettuata esclusivamente dal produttore o presso centri di assistenza autorizzati.

ISTRUZIONI DI SICUREZZA AGGIUNTIVE PER I DECESPUGLIATORI SENZA CAVO

- Non consentire mai l'uso del decespugliatore a bambini o persone inesperte o che non abbiano letto queste istruzioni. Le normative vigenti a livello locale possono imporre un limite di età per l'utilizzatore. Quando il decespugliatore non viene usato, custodirlo fuori dalla portata dei bambini.
- Non utilizzare mai il decespugliatore con protezioni o schermi danneggiati o smontati.
- Prima di usare il decespugliatore e dopo un eventuale urto, controllare che non presenti segni di usura o danni e, se necessario, provvedere alla riparazione.
- Non mettere mai in funzione il prodotto se si è stanchi, ammalati o sotto l'effetto di alcool, stupefacenti o farmaci.
- Indossare sempre pantaloni lunghi, stivali e guanti. Non indossare indumenti larghi, gioielli, pantaloncini o sandali e non lavorare mai a piedi nudi.
- Indossare dispositivi di protezione acustiche e per gli occhi ogni volta che si utilizza il decespugliatore.
- Mantenere sempre un equilibrio saldo. Non sporgersi troppo.
- Non utilizzare mai il decespugliatore in presenza di persone (in particolare bambini) o animali domestici nelle vicinanze.
- Attendere l'arresto completo del filo nella bobina prima di toccarlo. Dopo lo spegnimento del decespugliatore, il filo nella bobina continua a girare, con la possibilità di provocare lesioni alle persone.
- Usare il decespugliatore solo alla luce del giorno o in condizioni di buona illuminazione artificiale.
- Evitare di utilizzare il decespugliatore in caso di maltempo, soprattutto quando vi è il rischio di fulmini.
- L'impiego del decespugliatore per tagliare erba bagnata comporta una riduzione della sua efficienza prestazionale.
- Spegnerlo il decespugliatore durante il trasporto da e verso l'area di lavoro.
- Accendere il motore solo se mani e piedi sono lontani dagli elementi di taglio.
- Non mettere mani o piedi vicino al sistema di taglio.

- Rimuovere la batteria prima di cambiare la bobina di filo.
- Non montare mai elementi di taglio di metallo su questo decespugliatore.
- Ispezionare e sottoporre il decespugliatore a manutenzione periodicamente.
- Fare riparare il decespugliatore solo da un tecnico dell'assistenza autorizzato.
- Verificare sempre che le feritoie di ventilazione siano mantenute pulite e libere da detriti.
- Rimuovere la batteria nei casi seguenti:
 - *ogni volta che si lascia incustodito il decespugliatore, anche se per breve tempo;*
 - *prima di sostituire il filo di taglio;*
 - *prima di pulire il decespugliatore o di compiere interventi sullo stesso.*
- Conservare il decespugliatore in un luogo asciutto, lontano dalla portata dei bambini. Non appoggiarvi sopra altri oggetti.
- Non azionare il decespugliatore con l'accessorio con il filo di taglio smontato.

AVVERTENZE DI SICUREZZA PER LA BATTERIA

- a) **Non aprire la batteria.** Pericolo di cortocircuito.
- b) **Proteggere la batteria dal calore, ad esempio dalla luce solare intensa, dal fuoco, dall'acqua e dall'umidità.** Pericolo di esplosione.
- c) **In caso di danni e uso improprio della batteria, potrebbero essere emessi dei vapori. Ventilare l'area e rivolgersi a un medico in caso di malessere.** I vapori possono irritare il sistema respiratorio.
- d) **Utilizzare la batteria solo in combinazione con il prodotto Vonroc.** Questo accorgimento protegge la batteria da un sovraccarico pericoloso.
- e) **La batteria può essere danneggiata da oggetti appuntiti come chiodi o cacciaviti o da una forza applicata esternamente.** Si può verificare un cortocircuito interno e la batteria potrebbe bruciare, fumare, esplodere o surriscaldarsi.

AVVERTENZE DI SICUREZZA PER IL CARICABATTERIE

Uso previsto

Caricare solo pacchi batteria ricaricabili di tipo CD801AA e CD803AA con il caricabatterie. Batterie di tipi diversi potrebbero esplodere provocando lesioni personali e danni.

- a) **L'apparecchio non deve essere usato da persone con capacità fisiche, sensoriali o mentali ridotte (bambini inclusi) o che non hanno alcu-**

na esperienza o conoscenza dell'apparecchio, a meno che non siano sorvegliate o siano state istruite sull'uso del prodotto.

- b) Accertarsi che i bambini non giochino con il caricabatterie.**
c) Non ricaricare batterie non ricaricabili!
d) Durante la carica le batterie devono rimanere inserite nell'area adeguatamente ventilata!

2. INFORMAZIONI RELATIVE ALL'ELETTROUTENSILE

Uso previsto

Questo decespugliatore è stato sviluppato per il taglio di erba ed erbacce sotto i cespugli e sui pendii. Esso è ideale per tagliare i bordi non raggiungibili con un rasaerba. Il decespugliatore è concepito per l'impiego in ambienti con temperature comprese tra 0 °C e 45 °C. Non utilizzare il prodotto sotto la pioggia.

DATI TECNICI



Il presente manuale è stato predisposto per diversi assortimenti / codici articolo.

Verificare il codice articolo corrispondente nella tabella di specificazione sottostante per la composizione e i contenuti corretti per il proprio assortimento.

Numero modello	Batterie incluse	Caricabatterie incluso
GT501DC	-	-
S_GT501DC	CD801AA	CD802AA
S2_GT501DC	2 x CD801AA	CD802AA
S3_GT501DC	CD803AA	CD802AA

Informazioni sul prodotto	
Tensione	20V
Asta telescopica	420-700 mm
Inclinazione dell'asta regolabile	0° - 90°
Testa di taglio regolabile	0° - 90°
Velocità a vuoto	8.000 giri/min
Diametro del tagliafilo	250 mm
Sistema di taglio	"Tap and go", bobina a 2 fili Ø1,2 mm x 8m
Peso (senza batteria)	2,1 kg

Livello di pressione sonora LPA	71,2 dB(A) K=3 dB(A)
Livello di potenza sonora LWA	88,2 dB(A) K=3 dB(A)
Vibrazione	6,918 m/s ² K=1,5 m/s ²

Modello n.º	CD801AA
Tipo di batteria	Ioni di litio
Tensione	20V
Capacità	2,0 Ah
Caricabatterie consigliato	CD802AA
Peso	0,3 kg

Modello n.º	CD802AA
Ingresso del caricabatterie	220-240V, 50Hz 0,4A
Uscita del caricabatterie	21V 2,5A
Tempo di ricarica batteria 2Ah	60 minuti
Tempo di ricarica batteria 4Ah	120 minuti
Batterie consigliate	CD801AA, CD803AA
Peso	0,36 kg

Modello n.º	CD803AA
Tipo di batteria	Ioni di litio
Tensione	20V
Capacità	4,0Ah
Caricabatterie consigliato	CD802AA
Peso	0,65 kg

*Valore garantito secondo la direttiva sul rumore:
LwA 96db (A)*

Utilizzare esclusivamente le batterie seguenti della piattaforma di batterie da 20V VONROC VPOWER. L'uso di batterie diverse potrebbe causare gravi lesioni personali o danni all'elettrotensile. Batteria agli ioni di litio da 20V, 2Ah, CD801AA
Batteria agli ioni di litio da 20V 4Ah, CD803AA

Il caricabatterie seguente può essere usato per caricare queste batterie.
Caricabatterie rapido CD802AA

Le batterie della piattaforma di batterie da 20V VONROC VPOWER sono intercambiabili con tutti gli elettrotensili con batterie della piattaforma da 20V VONROC VPOWER.

Livello delle vibrazioni

Il livello di emissione delle vibrazioni indicato sul retro di questo manuale di istruzioni è stato misurato in conformità a un test standardizzato stabilito dalla norma EN 50636-2-91 questo valore può essere utilizzato per mettere a confronto un l'utensile con un altro o come valutazione preliminare di esposizione alla vibrazione quando si impiega l'utensile per le applicazioni menzionate.

- se si utilizza l'utensile per applicazioni diverse, oppure con accessori differenti o in scarse condizioni, il livello di esposizione potrebbe aumentare notevolmente.
- i momenti in cui l'utensile è spento oppure è in funzione ma non viene effettivamente utilizzato per il lavoro, possono contribuire a ridurre il livello di esposizione.

Proteggersi dagli effetti della vibrazione effettuando la manutenzione dell'utensile e dei relativi accessori, mantenendo le mani calde e organizzando i metodi di lavoro.

DESCRIZIONE

I numeri che compaiono nel testo si riferiscono agli schemi riportati alle pagine 2-5.

1. Batteria
2. Pulsante di sblocco batteria
3. Indicatore di carica batteria
4. Caricabatterie
5. Indicatori a LED caricabatterie
6. Interruttore di accensione/spostamento
7. Interruttore di sicurezza
8. Impugnatura anteriore
9. Pomello di bloccaggio impugnatura anteriore
10. Protezione
11. Vite
12. Ferro di protezione
13. Rotella laterale
14. Supporto rotella laterale
15. Copribobina
16. Bobina
17. Molla della bobina
18. Alloggiamento bobina
19. Punta della bobina
20. Testa di taglio con pomello di regolazione
21. Testa di taglio con anello di regolazione
22. Anello di regolazione inferiore
23. Parte superiore dell'albero
24. Parte inferiore dell'albero
25. Pulsante per spie a LED batteria

3. ASSEMBLAGGIO



Prima di compiere qualsiasi intervento sull'elettro utensile, rimuovere la batteria.



Avvertenza! Non utilizzare il decespugliatore senza la protezione montata.



Prima del primo utilizzo, caricare l'elettro utensile.

Inserimento della batteria nell'elettro utensile (Fig. C1)



Assicurarsi che la batteria sia pulita esternamente prima di collegarla al caricabatterie o all'elettro utensile.

1. Inserire la batteria (1) nella base dell'elettro utensile, come illustrato nella Figura C1.
2. Spingere in avanti la batteria finché scatta in posizione con un clic.

Rimozione della batteria dall'elettro utensile (Fig. C1)

1. Premere i pulsanti di sblocco della batteria (2).
2. Estrarre la batteria dall'elettro utensile, come illustrato nella Fig. C1.

Verifica dello stato di carica della batteria (Fig. C2)

- Per verificare lo stato di carica della batteria, premere brevemente il pulsante (25) sulla batteria.
- La batteria presenta 3 spie che indicano il livello di carica: più spie sono accese più la batteria è carica.
- Se le spie non sono illuminate di rosso, significa che la batteria è completamente scarica e deve essere ricaricata immediatamente.

Carica della batteria con il caricabatterie (Fig. C2)

1. Rimuovere la batteria (1) dalla macchina.
2. Capovolgere la batteria (1) e inserirla nel caricabatterie (4), come illustrato nella Fig. C2.
3. Spingere la batteria finché si incastra nell'apposito alloggiamento.
4. Collegare la spina del caricabatterie a una presa elettrica e attendere un momento. Gli indicatori a LED sul caricabatterie (5) si illuminano e mostrano lo stato di carica della batteria.

Sul caricabatterie sono presenti 2 indicatori a LED (5) che mostrano lo stato del processo di carica:

Stato LED rosso	Stato LED verde	Stato del carica-batterie
Spento	Spento	Nessuna alimentazione
Spento	Acceso stabile	Modalità standby: - Nessuna batteria inserita oppure, - Batteria inserita ma la ricarica è terminata
Acceso stabile	Spento	Carica della batteria in corso

- Per caricare completamente la batteria da 2Ah possono essere necessari fino a 60 minuti.
- Per caricare completamente la batteria da 4Ah possono essere necessari fino a 120 minuti.

Una volta caricata la batteria, rimuovere la spina del caricabatterie dalla presa di corrente e rimuovere la batteria dal caricabatterie.



Se si prevede che la macchina non verrà usata per molto tempo si consiglia di conservare le batterie cariche.

Montaggio della protezione (Fig. B1)

- Montare la protezione (10) sull'alloggiamento della testa di taglio.
- Fissare la protezione con la vite (11) in dotazione.

Montaggio del ferro di protezione (Fig. B2)

- Premere le estremità del ferro di protezione (12) una verso l'altra e infilarle nei fori dell'alloggiamento della testa di taglio.
- Il ferro di protezione può essere posizionato a distanze diverse. Per regolare la posizione del ferro di protezione è sufficiente premerlo e tirarlo.

Montaggio dell'impugnatura anteriore (Fig. D1)

- Posizionare l'impugnatura (8) sul supporto fissato sulla parte superiore dell'albero.
- Infilare il bullone nel foro esagonale e fissare il pomello di bloccaggio (9) sul bullone.

Regolazione dell'impugnatura anteriore (Fig. D2)

- Svitare leggermente il pomello di bloccaggio (9) e premere o tirare l'impugnatura anteriore (8) fino a ottenere la posizione desiderata, che può essere verso l'alto o il basso e ruotata rispetto alla parte superiore dell'albero.



Quando si usa il decespugliatore di lato, servirsi sempre della rotella laterale.

Montaggio della rotella laterale (Fig. E)

- Infilare la rotella laterale (13) sul rispettivo supporto (14).

Montaggio della bobina di filo (Fig. F1)



Prima di sostituire la bobina, pulire l'elettrotensile eliminando l'eventuale sporcizia.

- Collocare la molla (17) nell'alloggiamento della bobina (18). Assicurarsi che il lato più largo della molla sia collocato sulla testa di taglio.
- Collocare la bobina (16) sopra la molla (17). Assicurarsi che i fili passino attraverso i fori all'interno dell'alloggiamento (18). (Fig. F2)
- Coprire la bobina con il copribobina (15) e fissarla ruotando il copribobina saldamente.

Sostituzione della bobina (Fig. F1)

- Rimuovere il copribobina (15).
- Estrarre la bobina (16), ma lasciare la molla (17) all'interno.
- Prendere la nuova bobina (GT801AA) e posizionarla sopra la molla (17). Assicurarsi che i fili passino attraverso i fori all'interno dell'alloggiamento (18). (Fig. F2)
- Coprire la bobina con il copribobina (15) e fissarla ruotando il copribobina saldamente.

4. USO

Utilizzo del sistema "Tap and Go" (Fig. G)

- Se il filo di taglio è troppo corto, accendere il decespugliatore e premere la punta della bobina (19) sul terreno (assicurarsi di farlo su una superficie dura).
- In questo modo viene rilasciato il filo, facendolo allungare.
- Il filo sarà tagliato alla lunghezza corretta in automatico tramite la lama montata nella protezione (10).

Inclinazione della testa di taglio (Fig. H)

Mantenere l'elettrotensile spento e scollegare la batteria.

- Premere il pomello di regolazione (20) della testa di taglio per inclinarla nella posizione desiderata.
- Appena il pomello di regolazione viene rilasciato, la testa di taglio si blocca in posizione con uno scatto.

Rotazione della testa di taglio (Fig. I)

- Premere l'anello di regolazione (21) in basso verso la testa di taglio per inclinarla nella posizione desiderata.
- Appena l'anello di regolazione viene rilasciato, la testa di taglio si blocca in posizione con uno scatto.

Regolazione della lunghezza dell'asta (Fig. J)

- Per regolare l'altezza dell'elettrotensile, allentare l'anello di regolazione inferiore (22).
- Spingere con cautela la parte inferiore dell'albero (24) dalla parte superiore (23) verso il basso o verso l'alto.
- Stringere l'anello di regolazione inferiore (22) per bloccare l'altezza dell'elettrotensile.

Utilizzo del decespugliatore

Prima dell'uso, ispezionare sempre visivamente l'elettrotensile e i rispettivi componenti al fine di verificare che siano montati correttamente e non siano usurati o danneggiati.

- Per salvaguardare la propria sicurezza e per ottenere i migliori risultati, leggere la seguente avvertenza di utilizzo e non utilizzare questo prodotto per alcuno scopo al di fuori dell'uso prescritto.
- Questo decespugliatore è stato realizzato per tagliare l'erba. Tutti gli altri utilizzi non specificatamente consentiti in questo manuale possono causare lesioni all'utilizzatore.

Caratteristiche di sicurezza

- La protezione è dotata di un coltello per tagliare il filo metallico alla lunghezza corretta. Non toccare il coltello onde ridurre la possibilità che si verifichino lesioni per l'utilizzatore.
- L'interruttore di accensione/spegnimento (6) e l'interruttore di sicurezza (7) devono

essere azionati insieme per avviare il motore. L'elettrotensile è progettato in modo tale che, rilasciando uno dei due interruttori, si arresti rapidamente.

Accensione e spegnimento

- Per mettere in funzione il decespugliatore, premere l'interruttore di sicurezza (7) e contemporaneamente l'interruttore di accensione/spegnimento (6).
- Per spegnerlo, rilasciare uno o entrambi gli interruttori.

5. MANUTENZIONE

Prima di eseguire qualsiasi operazione di pulizia e intervento di manutenzione spegnere sempre l'elettrotensile e rimuovere la batteria dall'elettrotensile.

Pulire regolarmente il corpo dell'elettrotensile con un panno morbido, preferibilmente dopo ogni uso. Assicurarsi che le prese d'aria siano libere da polvere e sporizia. Rimuovere lo sporco particolarmente ostinato con un panno morbido inumidito con acqua e sapone. Non utilizzare solventi come benzina, alcol, ammoniaca, ecc. Le sostanze chimiche di questo tipo danneggiano i componenti sintetici.

RISPETTO AMBIENTALE

Le apparecchiature elettriche o elettroniche difettose e/o scartate devono essere raccolte presso gli opportuni siti di riciclaggio.

Solo per i Paesi CE

Non smaltire gli elettrotensili insieme ai rifiuti domestici. Secondo la Direttiva europea 2012/19/EC sui rifiuti delle apparecchiature elettriche ed elettroniche e relativa implementazione nelle normative locali, gli elettrotensili ormai inutilizzabili devono essere raccolti separatamente e smaltiti in modo ecologico.

DEFINIZIONI DELLA GARANZIA

I prodotti VONROC sono sviluppati secondo i più elevati standard di qualità e viene garantita l'assenza di difetti nei materiali e nella manodopera per il periodo contrattuale a partire dalla data di acquisto originale. Qualora il prodotto dovesse subire un

guasto qualsiasi durante questo periodo a causa di difetti nei materiali e/o nella manodopera, si prega di contattare direttamente il VONROC.

Le seguenti circostanze sono escluse da questa garanzia:

- Riparazioni e/o modifiche alla macchina sono state eseguite o tentate da centri di assistenza non autorizzati.
- Normale usura.
- L'utensile è stato abusato, utilizzato o manutenu-
to in modo improprio.
- Sono state utilizzate parti di ricambio non originali

Ciò costituisce l'unica garanzia espressa o implicita fornita dall'azienda. Non esistono altre garanzie espresse o implicite che si estendono oltre il presente documento, ivi comprese le garanzie implicite di commerciabilità e idoneità per uno scopo particolare. In nessun caso VONROC sarà responsabile di eventuali danni incidentali o consequenziali. I rimedi dei rivenditori saranno limitati alla riparazione o sostituzione di unità o parti non conformi.

Il prodotto e il manuale per l'utente sono soggetti a modifiche. I dati tecnici possono essere modificati senza ulteriore notifica.

1. SÄKERHETSANVISNINGAR

Läs de medföljande säkerhetsvarningarna, de kompletterande säkerhetsvarningarna och anvisningarna. Underlåtenhet att följa säkerhetsvarningarna och anvisningarna kan orsaka elstöt, brand och/eller allvarlig skada. Spara säkerhetsvarningarna och anvisningarna för framtida bruk.

Följande symboler används i användarhandboken eller på produkten:



Läs användarhandboken.



Anger risk för personskada, dödsfall eller skada på verktyget om anvisningarna i denna handbok inte följs.



Risk för elstöt.



Använd hörselskydd.



Använd skyddsglasögon.



Använd dammask.



Använd skyddshandskar.



Använd skyddsskor.



Utsätt inte den för regn.



Klass II-maskin - dubbelisolering - Du behöver ingen jordad kontakt.



Länk till tidsfördröjd miniatyrsäkring.



Maxtemperatur 45°C.



Kasta inte batteriet i elden.



Kasta inte batteriet i vatten.



Separat återvinning av litiumjonbatteriet.



Kassera inte produkten i olämpliga containrar.



Produkten uppfyller gällande säkerhetsnormer i EU-direktiven.



Stäng alltid av maskinen och ta ut batteriet från maskinen innan rengöring och underhåll.



Garanterad ljudeffektnivå LWA = 96 dB(A)

ALLMÄNNA SÄKERHETSFÖRESKRIFTER FÖR ELVERKTYG



VARNING! Läs alla säkerhetsvarningar och alla anvisningar. Underlåtenhet att följa varningar och instruktioner kan resultera i elstöt, brand och/eller allvarliga skador.

Spara alla varningar och instruktioner för framtida referens.

Termen "elverktyg" i varningarna hänvisar till ditt elverktyg (med sladd) eller batteridrivet (sladdlöst) elverktyg.

1) Arbetsplats säkerhet

- Håll arbetsplatsen ren och välbelyst.** Belamrade eller mörka områden inbjuder till olyckor.
- Använd inte elektriska verktyg i explosiva atmosfärer, såsom i närvaro av lättantändliga vätskor, gaser eller damm.** Elverktyg skapar gnistor som kan antända damm eller ångor.
- Håll barn och åskådare borta medan du arbetar med ett elverktyg.** Om du blir distraherad kan du tappa kontrollen.

2) Elsäkerhet

- Verktygets elkontakt måste passa till vägguttaget. Ändra inte kontakten på något sätt. Använd inte adapterkontakter med jordade elverktyg.** Omodifierade kontakter och matchande uttag minskar risken för elektrisk stöt.
- Undvik kroppskontakt med jordade ytor såsom rör, värmeelement, spisar och kylskåp.** Det finns en ökad risk för elektrisk stöt om din kropp är jordansluten eller jordad.
- Utsätt inte elektriska verktyg för regn eller väta.** Vatten som tränger in i ett elverktyg ökar risken för elstöt.
- Hantera inte elkabeln felaktigt. Använd aldrig sladden för att bära, dra eller koppla bort elverktyget från uttaget. Håll sladden borta från värme, olja, vassa kanter eller rörliga delar.** Skadade eller tilltrasslade sladdar ökar risken för elektrisk stöt.
- När du arbetar med ett elverktyg utomhus,**

använd en förlängningsladd som passar för utomhusanvändning. Användning av en sladd som passar för utomhusanvändning minskar risken för elektrisk stöt.

- Om arbete med ett elverktyg i en fuktig lokal är oundvikligt, använd ett uttag som är skyddat med jordfelsbrytare.** Användning av RCD minskar risken för elstöt.
- Personlig säkerhet**
 - Var uppmärksam, kontrollera vad du gör och använd sunt förnuft när du arbetar med ett elektriskt verktyg. Använd inte ett elverktyg när du är trött eller påverkad av droger, alkohol eller medicinering.** Ett ögonblicks ouppmärksamhet under arbetet kan resultera i allvarliga personskador.
 - Använd personlig skyddsutrustning. Bär alltid ögonskydd.** Skyddsutrustning såsom dammfiltterskydd, halssäkra säkerhetsskor, skyddshjälm eller hörselskydd som används för lämpliga förhållanden minskar personskador.
 - Förebygg oavsiktlig igångsättning. Se till att strömbrytaren är i avstängd position innan anslutning till strömkällan och/eller batteriet, verktyget lyfts upp eller bärs.** Om du bär elverktyg med ditt finger på strömbrytaren eller ansluter ett påkopplat elverktyg till nätströmmen kan en olycka inträffa.
 - Avlägsna eventuell justeringsnyckel eller skiftnyckel innan du sätter på elverktyget.** En skiftnyckel eller en nyckel som sitter kvar på en roterande del av elverktyget kan resultera i personskada.
 - Böj dig inte för långt. Bibehåll alltid ordentligt fotfäste och balans.** Detta möjliggör bättre kontroll av elverktyget i oväntade situationer.
 - Bär lämpliga kläder. Använd inte vida kläder eller smycken. Håll hår, kläder och handskar borta från rörliga delar.** Lösa kläder, smycken eller långt hår kan fastna i rörliga delar.
 - Om enheten är försedd med anslutning av dammsug och uppsamlingsmöjlighet, se till att dessa är anslutna och används korrekt.** Dammupptagning minskar dammrelaterade risker.
 - Låt inte erfarenheten som uppnås vid frekvent användning av verktyg låta dig bli för självsäker och ignorera verktygs säkerhetsprinciperna.** En oförsiktig handling kan orsaka allvarliga skador under bråkdelen av en sekund.

4) Användning och skötsel av elverktyg

- a) **Tvinga inte elverktyget. Använd rätt slags elektriska verktyg för ditt arbete.** Rätt elverktyg gör arbetet bättre och säkrare vid den hastighet som det har konstruerats för.
- b) **Använd inte elverktyget om strömbrytaren inte sätter på och stänger av det.** Ett elverktyg som inte kan kontrolleras med strömbrytaren är farligt och måste repareras.
- c) **Dra ur kontakten från strömkällan och/eller batteriet från elverktyget innan du gör några justeringar, byter tillbehör, eller lägger undan elverktygen för förvaring.** Sådana förebyggande säkerhetsåtgärder minskar risken för att elverktyget startar oavsiktligt.
- d) **Förvara elverktyg oåtkomliga för barn och låt inte personer som är obekanta med verktyget eller dessa instruktioner använda verktyget.** Elektriska verktyg är farliga i händerna på oerfarna användare.
- e) **Underhåll elektriska verktyg. Kontrollera för feljustering eller om rörliga delar har fastnat, bristning hos delar och andra eventuella förhållanden som kan komma att påverka elverktygets funktion. Om det är skadat, se till att elverktyget blir reparerat före användning.** Många olyckor orsakas av dåligt underhållna elektriska verktyg.
- f) **Håll kapverktyg vassa och rena.** Korrekt underhållna kapverktyg med vassa kanter är mindre troliga att kärva och lättare att kontrollera.
- g) **Använd elverktyget, dess tillbehör och verktyg i enlighet med dessa instruktioner och under beaktande av arbetsförhållandena och det arbete som ska utföras.** Användningen av elverktyget för andra verksamheter än de som det är avsett för skulle kunna resultera i en farlig situation.
- h) **Se till att handtagen är torra, rena och fria från olja och fett.** Hala handtag och grepppylor tillåter inte säker hantering och kontroll av verktyget i oväntade situationer.

5) Användning och skötsel av batteridrivna verktyg

- a) **Ladda endast med den laddare som är specificerad av tillverkaren.** En laddare som passar till en typ av batteri kan ge upphov till brandfara när den används tillsammans med ett annat batteri.
- b) **Använd elverktygen enbart med det därtill avsedda batteriet.** Användning av andra batteri

kan ge upphov till skaderisk och eldsvåda.

- c) **När batteriet inte används, håll det borta från andra metallföremål, såsom gem, mynt, nycklar, spikar, skruvar eller andra små metallföremål som kan skapa en förbindelse från ena polen till den andra.** Kortslutning av batteripolerna kan ge upphov till brännskador eller eldsvåda.
- d) **Vid felaktig hantering kan vätska komma ut från batteriet, undvik kontakt med denna. Spola med vatten vid oavsiktlig kontakt. Sök läkarhjälp om vätskan kommer i kontakt med ögon.** Vätska som kommer ut från batteriet kan orsaka irritation eller brännskada.
- e) **Använd inte batterier eller verktyg som är skadade eller modifierade.** Skadade eller modifierade batterier kan uppvisa oförutsägbart beteende som kan leda till brand, explosion eller risk för skada.
- f) **Utsätt inte batteri eller verktyg för eld eller överdriven temperatur.** Exponering för brand eller temperatur över 130 °C kan orsaka explosion. OBS! Temperaturen "130 °C" kan ersättas med temperaturen "265 °F".
- g) **Följ alla laddningsanvisningar och ladda inte batteriet eller verktyget utanför det temperaturområde som anges i instruktionerna.** Om du laddar batteriet felaktigt eller vid temperaturer utanför det angivna området kan det skada batteriet och öka risken för brand.

6) Service

- a) **Se till att ditt elverktyg får service av en kvalificerad reparatör, som endast använder identiska ersättningsdelar.** Detta säkerställer att elverktygets säkerhet upprätthålls.
- b) **Utför aldrig service på skadade batterier.** Service av batteri ska endast utföras av tillverkaren eller auktoriserade serviceleverantörer.

YTTERLIGARE SÄKERHETSINSTRUKTIONER FÖR SLADDLÖS GRÄSTRIMMER

- Låt aldrig barn eller personer som är obekanta med dessa instruktioner använda trimmern. Det kan finnas lokala bestämmelser om åldersgräns för användaren. När den inte används, förvara trimmern utom räckhåll för barn.
- Använd aldrig trimmern med saknade eller med trasiga skydd eller skärmar eller utan skydd eller skärmar på plats.
- Innan du använder maskinen och efter stöt, kontrollera tecken på slitage eller skada och

reparera om nödvändigt.

- Använd aldrig maskinen när du är trött, sjuk eller under påverkan av alkohol eller medicin.
- Bär alltid långa kraftiga byxor, stövlar och handskar. Använd inte lösa kläder, smycken, korta byxor, sandaler och jobba aldrig barfota.
- Använd skyddsglasögon och hörselskydd vid användning av maskinen.
- Håll stadigt fotfäste och balans. Böj dig inte för långt.
- Använd inte trimmern i närheten av andra, särskilt barn eller husdjur.
- Vänta tills tråden har stannat helt innan du rör den. Tråden fortsätter att rotera efter att trimmern är avstängd; en roterande tråd kan orsaka skada.
- Använd endast i dagsljus eller bra artificiellt ljus
- Undvik att klippa under dåliga väderleksförhållanden särskilt när det finns risk för åska.
- Att använda trimmern i vått gräs minskar prestandans effektivitet.
- Stäng av när trimmern transporteras till och från området som ska bearbetas.
- Slå bara på motorn när händer och fötter är på avstånd från skärenheten.
- Ha inte händer eller fötter i närheten av skärenheten.
- Ta bort batteriet innan spolbyte.
- Montera aldrig metallelement på denna trimmer.
- Inspektera och underhåll trimmern regelbundet.
- Låt endast trimmern repareras av en auktoriserad servicerepresentant.
- Se alltid till att ventilationsöppningarna hålls fria från skräp.
- Ta ur batteriet:
 - när du lämnar maskinen utan uppsikt under någon tidsperiod
 - innan du byter ut tråden
 - innan du rengör eller arbetar på trimmern
- Förvara dammsugaren på ett torrt, rent ställe utom räckhåll för barn. Placera inte andra föremål ovanpå maskinen.
- Använd inte maskinen utan kabelfästet monterat.

- c) **Vid skada och felaktig användning av batteriet kan ångor läcka ut. Ventilera området och sök medicinsk hjälp vid besvär.** Ångorna kan irritera andningssystemet.
- d) **Använd endast batteriet i kombination med din Ferm industriprodukt.** Denna åtgärd ensamt skyddar batteriet mot farlig överbelastning.
- e) **Batteriet kan skadas av vassa föremål såsom spikar eller skruvmejslar eller externa krafter.** En intern kortslutning kan uppstå och batteriet kan brinna, avge rök, explodera eller överhettas.

SÄKERHETSVARNINGAR FÖR LADDARE

Avsedd användning

Ladda endast uppladdningsbara batterier av typen CD801AA och CD803AA med laddaren. Andra typer av batterier kan explodera och orsaka personskada och skada.

- a) **Apparaten får inte användas av personer (inklusive barn) med nedsatt fysisk eller mental förmåga eller brist på erfarenhet och kunskap, såvida de inte övervakas eller instrueras.**
- b) **Barn skall övervakas så att de inte leker med apparaten.**
- c) **Ladda inte batterier som inte är uppladdningsbara!**
- d) **Batterierna måste placeras i ett väl ventilerat område under laddning!**

2. MASKININFORMATION

Avsedd användning

Grästrimmern är utvecklad för klippning av gräs och ogräs, såväl under buskar som i sluttningar. Grästrimmern är idealisk för kanter som inte kan nås med gräsklipparen.

Avsedd användning är relaterad till drift inom 0 °C och 45 °C omgivningstemperatur. Använd inte maskinen i regn.

TEKNISKA SPECIFIKATIONER





Denna handbok har tagits fram för olika uppsättningar / artikelnummer. Kontrollera motsvarande artikelnummer i specifikationstabellen nedan för korrekt sammansättning och innehåll i din uppsättning.


SÄKERHETSVARNINGAR FÖR BATTERI


- a) **Öppna inte batteriet.** Risk för kortslutning.
- b) **Skydda batteriet mot hetta, t.ex. mot kontinuerlig intensiv solstrålning, brand, vatten och fukt.** Risk för explosion.

Modell-nr	Batterier ingår	Laddare ingår
GT501DC	-	-
S_GT501DC	CD801AA	CD802AA
S2_GT501DC	2 x CD801AA	CD802AA
S3_GT501DC	CD803AA	CD802AA

Maskininformation	
Spänning	20 V 
Teleskopstång	420-700 mm
Justering av stångvinkel	0°- 90°
Justerbart huvud	0°- 90°
Varvtal utan belastning	8,000/min
Skärdiameter	250 mm
Skärsystem	2 rad trådspole, Tap and go Ø1,2 mm x 8m
Vikt (exkl. batteri)	2,1 kg
Ljudtrycknivå LPA	71,2 dB(A) K=3 dB(A)
Ljudeffektnivå LWA	88,2 dB(A) K=3 dB(A)
Vibrationsvärde	6,918 m/s ² K=1,5 m/s ²

Modell-nr	CD801AA
Batterityp	Litiumjonteknik
Spänning	20 V 
Kapacitet	2,0 Ah
Rekommenderad laddare	CD802AA
Vikt	0,3 kg

Modell-nr	CD802AA
Laddare in	220-240V, 50Hz 0,4A
Laddare ut	21V  2,5A
Laddningstid 2 Ah batteri	60 minuter
Laddningstid 4 Ah batteri	120 minuter
Rekommenderade batterier	CD801AA, CD803AA
Vikt	0,36 kg

Modell-nr	CD803AA
Batterityp	Litiumjonteknik
Spänning	20 V 
Kapacitet	4,0 Ah

Rekommenderad laddare	CD802AA
Vikt	0,65 kg

Garanterat värde enligt bullerdirektivet:
LwA 96db(A)

Använd endast följande batterier från VONROC VPOWER 20V batteriplattform. Användning av andra batterier kan orsaka allvarliga skador eller skador på verktyget.

CD801AA 20V, 2Ah litiumjon
CD803AA 20V, 4Ah litiumjon

Följande laddare kan användas för att ladda dessa batterier.

CD802AA snabbbladdare

Batterierna från VONROC VPOWER 20V batteriplattform är utbytbara mellan alla VONROC VPOWER 20V batteriplattformens verktyg.

Vibrationsnivå

Vibrationsutsläppsnivån som anges i denna bruksanvisning har uppmätts i enlighet med ett standardiserat test i EN 50636-2-91, som kan användas för att jämföra verktyg med varandra och som en preliminär bedömning av exponering för vibrationer när du använder verktyget för angivna arbeten.

- Användning av verktyget för andra tillämpningar, eller med olika eller dåligt underhållna tillbehör kan avsevärt öka exponeringsnivån.
- De gånger då verktyget stängs av eller är på men egentligen inte används kan minska exponeringsnivån betydligt.

Skydda dig mot effekterna av vibrationer genom att underhålla verktyget och dess tillbehör, hålla händerna varma och organisera ditt arbetsmönster.

BESKRIVNING

Siffrorna i texten hänvisar till diagrammen på sidorna 2-5.

1. Batteri
2. Upplåsningsknapp för batteriet
3. Laddningsindikering för batteriet
4. Laddare
5. LED-laddningsindikering
6. Strömbrytare
7. Säkerhetsomkopplare
8. Främre handtag
9. Främre handtagsratt

10. Skyddsvakt
11. Skruv
12. Skyddsskena
13. Sidohjul
14. Sidohjulshållare
15. Spolskydd
16. Spolrulle
17. Spolfjäder
18. Spolhus
19. Spets spolrulle
20. Justeringsratt trimmerhuvud
21. Justeringsring trimmerhuvud
22. Nedre inställningsring
23. Övre skaft
24. Nedre skaft
25. Knapp för batteri-LED-indikatorer

3. MONTERING



Ta bort batteriet innan du utför något arbete på elverktyget.



Varning! Du skall inte använda grästrimmern utan säkerhetsskyddet.



Maskinen måste laddas innan den används för första gången.

Insättning av batteriet i maskinen (fig. C1)



Se till att batteriets utsida är ren och torr innan du ansluter det till laddaren eller maskinen.

1. Sätt in batteriet (1) i maskinens bas enligt fig. C1.
2. Skjut batteriet framåt tills det klickar på plats.

Borttagning av batteriet från maskinen (fig. C1)

1. Tryck på batterilåsningknappen (2).
2. Dra ut batteriet ur maskinen enligt fig. C1.

Kontroll av batteriets laddningsstatus (fig. C2)

- Tryck kort på knappen (25) på batteriet för att kontrollera batteriets laddningsstatus.
- Batteriet har 3 lampor som indikerar laddningsnivån. Ju fler lampor som lyser, desto mer är batteriet laddat.
- När lamporna inte lyser betyder det att batteriet är tomt och måste laddas omedelbart.

Laddning av batteriet med laddaren (fig. C2)

1. Ta ut batteriet (1) från maskinen.

2. Vänd batteriet (1) upp och ner och tryck in det i laddaren (4) enligt fig. C2.
3. Tryck in batteriet tills det kommer in i luckan helt.
4. Koppla in laddarens kontakt i ett eluttag och vänta en stund. Laddarens LED-indikering (5) kommer att lysa och visa laddningsstatusen.

Laddaren har två laddningsindikeringslampor (5) som indikerar laddningsprocessens status:

Röd LED-status	Grön LED-STATUS	Laddningsstatus
Av	Av	Ingen ström
Av	På	Standbyläge: - Inget batteri insatt eller - Batteriet är isatt men laddningen är klar
På	Av	Batteriladdning pågår

- Det kan ta upp till 60 minuter att fulladda 2 Ah-batteriet.
- Det kan ta upp till 120 minuter att fulladda 4 Ah-batteriet.

Ta ut laddningskontakten från uttaget och ta ut batteriet från laddaren när batteriet har fulladdats.



När maskinen inte används under längre tid är det bäst att lagra batteriet i laddat tillstånd.

Montering av säkerhetsskyddet (fig. B1)

- Montera skyddet (10) på trimmerhuvudhuset.
- Säkra skyddet med den medföljande skruven (11).

Montering av skyddsskenan (fig. B2)

- Pressa ihop skyddsskenans (12) ändar och skjut in i hålen på trimmerhuvudhuset.
- Skyddsskenan kan ställas in i olika skyddsavstånd. För att justera skenan, tryck eller dra helt enkelt i skenan.

Montering av det främre handtaget (fig. D1)

- Placera handtaget (8) på hållaren som är monterad på det övre skaftet.
- Montera bulten i sexkanthålet och montera vredet (9) på bulten.

Justering av det främre handtaget (fig. D2)

- Skruva loss vredet (9) något och tryck eller dra in det främre handtaget (8) till önskat läge. Detta kan antingen vara nedåt eller uppåt och vridbart runt övre axeln.



Använd alltid sidohjulet när du använder maskinen i sidled.

Montering av sidohjulet (fig. E)

- Skjut sidohjulet (13) på sidohjulhållaren (14).

Montering av trådspole (fig. F1)

Innan du byter spolen ska du rengöra maskinen från smuts.

- Placera fjädern (17) i spolhuset (18). Se till att den bredare sidan av fjädern är placerad på trimmerhuvudet.
- Placera spolrullen (16) över fjädern (17). Se till att trådarna förs genom hålen inuti huset (18). (Fig. F2)
- Täck spolrullen med spolskyddet (15) och fäst den genom att vrida skyddet hårt.

Byte av spole (fig. F1)

- Ta bort spolskyddet (15).
- Ta ut spolrullen (16) men lämna fjädern (17) inuti.
- Ta den nya spolrullen (GT801AA) och placera den över fjädern (17). Se till att trådarna förs genom hålen inuti huset (18). (Fig. F2)
- Täck den nya spolrullen med spolskyddet (15) och fäst den genom att vrida skyddet hårt.

4. DRIFT**Använda tap and go-systemet (fig. G)**

- När tråden är för kort, slå på maskinen och tryck trådspolens (19) spets på marken (se till att detta görs på en hård yta).
- Detta kommer att släppa ut tråden så den blir längre.
- Tråden klipps av i rätt längd automatiskt av bladet som är monterat i säkerhetsskyddet (10).

Luta trimmerhuvudet (fig. H)

Håll strömmen avstängd och batteriet fränkopplat.

- Tryck på ratten (20) på trimmerhuvudet för att luta huvudet i önskat läge.
- När knappen släpps kommer huvudet att klicka och låsas i det valda läget.

Vrida trimmerhuvudet (fig. I)

- Tryck ringen (21) nedåt mot trimmerhuvudet för att vrida huvudet i önskat läge.
- När ringen släpps kommer huvudet att klicka och låsas i det valda läget.

Inställning av stånghöjd (fig. J)

- För att justera maskinens höjd, lossa den nedre justeringsringen (22).
- Tryck försiktigt det nedre skaftet (24) från det övre skaftet (23) nedåt eller uppåt.
- Fäst den nedre justeringsringen (22) för att säkra maskinens höjd.

Använda grästrimmern

Före användning, inspektera alltid maskinen visuellt och dess delar så att de är korrekt monterade, inte slitna eller skadade.

- För din egen säkerhet och för bästa resultat, läs igenom följande användarråd och använd inte denna produkt för något annat än vad den är avsedd för.
- Denna grästrimmer är gjord för att klippa gräs. All annan användning som inte specifikt är tillåten i denna manual kan leda till funktionsfel hos grästrimmern eller skada användaren.

Säkerhetsfunktioner

- Skyddet har en kniv för att skära av tråden till rätt längd. Rör inte kniven för att minska risken för skada på användaren.
- Strömbrytaren (6) och säkerhetsbrytaren (7) måste arbeta tillsammans för att starta motorn. Om trycket på en av de två brytarna släpps är verktyget konstruerat så att det stannar snabbt.

Slå på och stänga av

- För att slå på trimmern, tryck på säkerhetsbrytaren (7) och strömbrytaren (6) samtidigt.
- För att stänga av, släpp ena eller båda brytarna.

5. UNDERHÅLL



Stäng alltid av maskinen och ta ut batteriet från maskinen innan rengöring och underhåll.

Rengör maskinens hus regelbundet med en mjuk trasa, helst efter varje gång du använder maskinen. Se till att ventilationsöppningarna är fria från damm och smuts. Ta bort mycket ihållande smuts med en mjuk trasa fuktad med tvållösning. Använd inte lösningsmedel som bensin, alkohol, ammoniak osv. Sådana kemikalier skadar de syntetiska komponenterna.

MILJÖ



Felaktig och/eller kasserad elektrisk eller elektronisk utrustning måste lämnas in på lämpliga återvinningsstationer.

Endast för EU-länder

Kassera inte elverktyg i hushållsavfall. Enligt den europeiska riktlinjen 2012/19/EC om kasserad elektrisk och elektronisk utrustning och dess tillämpning i nationell rätt måste elverktyg som inte längre är användbara samlas in separat och kasseras på ett miljövänligt sätt.

GARANTI

VONROC-produkter är utvecklade enligt högsta kvalitetsstandard och garanteras fria från defekter i både material och utförande under den period som lagen föreskriver från och med inköpsdatumet. Om produkten skulle utveckla fel under denna period på grund av defekt material och/eller utförande, kontakta då VONROC direkt.

Följande omständigheter är undantagna från denna garanti:

- Reparationer och/eller ändringar har gjorts eller försökts utföras på maskinen av obehöriga servicecenter;
- Normalt slitage;
- Verktyget har missbrukats, använts på fel sätt eller underhållits felaktigt;
- Reservdelar som inte är original har använts.

Detta utgör den enda garantin som företaget ger antingen uttryckt eller underförstått. Det finns inga

andra garantier uttryckta eller underförstådda som sträcker sig bortom detta, inklusive de underförstådda garantierna för säljbarhet och lämplighet för ett visst syfte. Under inga omständigheter ska VONROC hållas ansvarigt för indirekta skador eller följdsador. Återförsäljarnas åtgärder ska begränsas till reparation eller byte av enheter eller delar som inte uppfyller kraven.

Produkten och användarhandboken kan ändras. Specifikationerna kan ändras utan förvarning.

1. SIKKERHEDSANVISNINGER

Læs de vedlagte sikkerhedsadvarsler, de yderligere sikkerhedsadvarsler og vejledningen. Hvis sikkerhedsadvarslerne og vejledningen ikke følges, kan det resultere i elektrisk stød, brand og/eller alvorlige personskader. Gem sikkerhedsadvarslerne og vejledningen til fremtidig brug.

Følgende symboler anvendes i brugervejledningen eller på produktet:



Læs brugervejledningen.



Angiver risiko for personskade, dødsfald eller beskadigelse af værktøjet i tilfælde af manglende overholdelse af anvisningerne i denne vejledning.



Risiko for elektrisk stød.



Bær høreværn.



Bær beskyttelsesbriller.



Bær støvmaske.



Bær beskyttelseshandsker.



Bær beskyttelsesstøvler.



Udsæt ikke for regn.



Klasse II maskine - Dobbelt isolering - Du har ikke brug for et jordforbundet stik.



Tidsforskuet miniature sikringsindsats.



Maks. temperatur 45°C.



Kast ikke batteriet ind i åben ild.



Kast ikke batteriet ned i vand.



Separat aflevering af Li-ion batteri.



Bortskaf ikke produktet i uegnede beholdere.



Produktet er i overensstemmelse med de gældende sikkerhedsstandarder i EU-direktiverne.



Før rengøring og vedligeholdelse skal du altid slukke for maskinen og fjerne batteripakken fra maskinen.



Det garanterede lydeffektniveau
LWA = 96 dB(A)

GENERELLE SIKKERHEDSADVARSLER FOR ELVÆRKTØJ



ADVARSEL! Læs alle sikkerhedsadvarsler og alle anvisninger. Hvis advarslerne og vejledningen ikke følges, kan det resultere i elektrisk stød, brand og/eller alvorlige personskader.

Gem alle advarsler og instruktioner til fremtidig brug.

Udtrykket "el-værktøj" i advarslerne refererer til dit strømdrevne el-værktøj (med ledning) eller dit batteridrevne el-værktøj (uden ledning).

1) Sikkerhed på arbejdsområdet

- Hold arbejdsområdet rent og godt oplyst.** Der er risiko for ulykker på rodede eller mørke områder.
- Brug ikke el-værktøj i eksplosive atmosfærer, f.eks. i nærheden af brandfarlige væsker, gasser eller støv.** El-værktøj danner gnister, der kan antænde støv eller dampe.
- Hold børn og tilskuere væk, mens du bruger et el-værktøj.** Distractioner kan få dig til at miste kontrollen.

2) El-sikkerhed

- Stik på el-værktøj skal passe til stikkontakten. Stikket må aldrig modificeres på nogen måde. Brug ikke adapterstik med jordforbundne (jordede) el-værktøj.** Umodificerede stik og tilsvarende stikkontakter reducerer risikoen for elektrisk stød.
- Undgå kropskontakt med jordede overflader, såsom rør, radiatorer, områder og køleskabe.** Der er en øget risiko for elektrisk stød, hvis din krop er jordet.
- El-værktøjer må ikke udsættes for regn eller våde omgivelser.** Vand, der trænger ind i et el-værktøj, vil øge risikoen for elektrisk stød.
- Misbrug ikke ledningen. Brug ikke ledningen til at bære, trække eller frakoble el-værktøjet. Hold ledningen væk fra varme, olie, skarpe kanter eller dele i bevægelse.** Beskadigede eller sammenfiltrede ledninger øger risikoen for elektrisk stød.

- e) **Når du betjener et el-værktøj udendørs, skal du bruge en forlængerledning, der er velegnet til udendørs brug.** Brug af en ledning, der er velegnet til udendørs brug, reducerer risikoen for elektrisk stød.
- f) **Hvis det ikke kan undgås at bruge et maskin-værktøj i et fugtigt miljø, bør du anvende en forsyning, der er beskyttet af en fejlstrømsafbryder (RCD).** Brugen af en RCD reducerer risikoen for elektrisk stød.
- 3) Personlig sikkerhed**
- a) **Vær opmærksom, se hvad du laver, og brug din sunde fornuft, når du bruger et el-værktøj. Brug ikke et el-værktøj, når du er træt eller påvirket af stoffer, alkohol eller medicin.** Et øjeblikvis uopmærksomhed under brug af el-værktøj kan resultere i alvorlig personskade.
- b) **Brug personligt sikkerhedsudstyr. Bær altid øjenværn.** Beskyttelsesudstyr såsom støvmaske, skridsikre sikkerhedssko, hjelm eller høreværn, der bruges til passende forhold, reducerer personskader.
- c) **Undgå utilsigtet start. Sørg for, at kontakten er slukket, før du tilslutter strømkilden og/eller batteripakken, tager maskinen op eller bærer værktøjet.** Hvis el-værktøj bæres med fingeren på kontakten, eller når el-værktøj strømføres med tændt kontakt, kan der nemt ske ulykker.
- d) **Fjern en eventuel justeringsnøgle eller skrue-nøgle, inden du tænder for el-værktøjet.** En skrue-nøgle eller en justeringsnøgle, der er fastgjort til en roterende del af el-værktøjet, kan resultere i personskade.
- e) **Ræk dig ikke for langt. Hold altid et korrekt fodfæste og balancen.** Dette giver bedre kontrol over el-værktøjet i uventede situationer.
- f) **Klæd dig korrekt. Bær ikke løst tøj eller smykker. Hold dit hår, tøj og handsker væk fra bevægelige dele.** Løst tøj, smykker eller langt hår kan sætte sig fast i bevægelige dele.
- g) **Hvis der leveres enheder til tilslutning af støvudsugnings- og opsamlingsfaciliteter, skal du sikre, at disse er tilsluttet og bliver brugt korrekt.** Brug af støvopsamling kan reducere støvrelaterede farer.
- h) **Lad ikke kendskab opnået gennem hyppig brug af værktøj lade dig blive tilbagelænet og ignorere værktøjssikkerhedsprincipper.** En skødesløs handling kan forårsage alvorlig personskade inden for en brøkdal af et sekund.
- 4) Brug og pleje af el-værktøj**
- a) **Tving ikke el-værktøjet. Brug det korrekte el-værktøj til din opgave.** Det korrekte el-værktøj vil gøre et bedre stykke arbejde og vil være mere sikkert ved den hastighed, det var beregnet til.
- b) **Brug ikke el-værktøjet, hvis kontakten ikke tænder og slukker.** Ethvert el-værktøj, der ikke kan styres med kontakten, er farligt og skal repareres.
- c) **Tag stikket ud af strømkilden og/eller fjern batteripakken fra el-værktøjet, før du foretager justeringer, skifter tilbehør eller opbevarer el-værktøj.** Disse forebyggende sikkerhedsforanstaltninger reducerer risikoen for at starte el-værktøjet ved et uheld.
- d) **Opbevar inaktivt el-værktøj uden for børns rækkevidde, og lad ikke personer, der ikke har kendskab til el-værktøjet eller disse instruktioner, betjene el-værktøjet.** El-værktøjer er farlige i hænderne på utrænede brugere.
- e) **Vedligehold el-værktøjer. Se efter forkert justering eller binding af bevægelige dele, ødelagte dele og enhver anden tilstand, der kan påvirke el-værktøjets drift. Hvis det er beskadiget, bør du få el-værktøjet repareret før brug.** Mange ulykker forårsages af dårligt vedligeholdt el-værktøj.
- f) **Hold skæreværktøj skarpt og rent.** Korrekt vedligeholdte skæreværktøjer med skarpe skærekanter har mindre tilbøjelighed til at binde og er lettere at styre.
- g) **Brug el-værktøj, tilbehør og værktøjsbor osv. i overensstemmelse med disse instruktioner under hensyntagen til arbejdsforholdene og det arbejde, der skal udføres.** Brug af el-værktøjet til andet arbejde end det tilsigtede kan resultere i en farlig situation.
- h) **Hold håndtag og gribeblader tørre, rene og fri fra olie og fedtstof.** Glatte håndtag og gribeblader giver ikke mulighed for sikker håndtering og kontrol af værktøjet i uventede situationer.
- 5) Brug og pleje af værktøjsbatteri**
- a) **Brug kun den oplader, der er specificeret af producenten, til opladning.** En oplader, der er egnet til én type batteripakke, kan forårsage risiko for brand, når den anvendes med en anden batteripakke.
- b) **Brug kun el-værktøj med specifikt udformede batteripakker.** Brug af andre batteripakker kan

resultere i risiko for personskader og brand.

- c) **Når batteripakken ikke er i brug, skal den holdes væk fra andre metalgenstande, som f.eks. papirclips, mønter, nøgler, søm, skruer eller andre små metalgenstande, der kan skabe en forbindelse fra den ene terminal til den anden.**

Hvis batteriterminalerne kortsluttes, kan det forårsage forbrændinger eller en brand.

- d) **Ved forkert anvendelse kan der slippe væske ud af batteriet; undgå kontakt. Skyl med vand, hvis der skulle opstå kontakt ved et uheld. Søg derudover lægehjælp, hvis der kommer væske ind i øjnene.** Væske fra batteriet kan forårsage irritation eller forbrændinger.
- e) **Brug ikke en batteripakke eller et værktøj, der er beskadiget eller modificeret.** Beskadede eller modificerede batterier kan udvise uforudsigelig adfærd, hvilket resulterer i brand, eksplosion eller risiko for personskade.
- f) **Undlad at udsætte en batteripakke eller et værktøj for åben ild eller for høj temperatur.** Udsættelse for åben ild eller temperatur over 130 °C kan forårsage eksplosion. BEMÆRK Temperaturen „130 °C“ kan erstattes af temperaturen „265 °F“.
- g) **Følg alle opladningsinstruktioner, og oplad ikke batteripakken eller værktøjet uden for temperaturintervallet specificeret i instruktionerne.** Forkert opladning eller opladning ved temperaturer uden for det specificerede interval kan beskadige batteriet og øge risikoen for brand.

6) Service

- a) **Lad dit el-værktøj blive servicert af en kvalificeret reparatør, der kun bruger identiske reservedele.** Dette sikrer, at maskinværktøjet fortsat er sikkert at bruge.
- b) **Foretag aldrig service på beskadigede batteripakker.** Service af batteripakker bør kun udføres af producenten eller autoriserede serviceudbydere.

YDERLIGERE SIKKERHEDSANVISNINGER TIL LEDNINGSFRI GRÆSTRIMMER

- Lad aldrig børn eller personer, som ikke har kendskab til disse instruktioner, bruge trimmeren. Lokale forskrifter kan begrænse operatørens alder. Når den ikke er i brug, skal trimmeren opbevares uden for børns rækkevidde.
- Betjen aldrig trimmeren med manglende eller ødelagte skærme eller værn eller uden skærme eller værn på plads.

- Inden du bruger maskinen, og efter kraftpåvirkning, skal den efterses for slid eller skader og om nødvendigt repareres.
- Brug aldrig produktet, når du er træt, syg eller påvirket af alkohol, stoffer eller medicin.
- Bær altid lange tunge bukser, støvler og handsker. Bær ikke løst tøj, smykker, korte bukser, sandaler, og arbejd aldrig med bare fødder.
- Bær beskyttelsesbriller og høreværn under betjening af maskinen.
- Hold et fast fodfæste og balancen. Ræk dig ikke for langt.
- Arbejd aldrig med denne trimmer, når der er personer, især børn, eller dyr i nærheden.
- Vent, til spoelinen er standset helt, inden du rører den. Spoelinen bliver ved med at rotere, efter trimmeren er slukket. En roterende tråd kan forårsage personskade.
- Arbejd kun i dagslys eller god kunstig belysning
- Undgå at bruge trimmeren i dårlige vejrforhold, især når der er risiko for lyn.
- Hvis du bruger trimmeren i vådt græs, reduceres ydeevnens effektivitet.
- Sluk under transport af trimmeren til og fra området, der skal arbejdes på.
- Tænd kun for motoren, når hænder og fødder er væk fra skæreudstyret.
- Hav aldrig hænder eller fødder i nærheden af skæresystemet.
- Tag batteriet ud inden udskiftning af spole.
- Monter aldrig metalliske skæreelementer på denne trimmer.
- Efterse og vedligehold trimmeren regelmæssigt.
- Få kun trimmeren repareret af en autoriseret kundeservicerepræsentant.
- Sørg altid for, at ventilationshullerne holdes fri for snavs.
- Tag batteriet ud:
 - *hver gang du efterlader maskinen uden opsyn i et stykke tid*
 - *før du udskifter ledningen*
 - *før du rengør eller arbejder på trimmeren*
- Opbevar maskinen et sikkert, tørt sted uden for børns rækkevidde. Placer ikke andre genstande oven på maskinen.
- Betjen ikke maskinen uden montering af trådfastgørelse.

SIKKERHEDSADVARSLER FOR BATTERI

- a) **Åbn ikke batteriet.** Fare for kortslutning.
- b) **Beskyt batteriet mod varme, f.eks. mod konti-**

nuerligt intenst sollys, brand, vand og fugt. Fare for eksplosion.

- c) **I tilfælde af skade og forkert brug af batteriet, kan der blive udsendt dampe. Udluft området, og søg lægehjælp i tilfælde af klager.** Dampene kan irritere åndedrætssystemet.
- d) **Brug kun batteriet sammen med dit Vonroc-produkt.** Denne foranstaltning alene beskytter batteriet mod farlig overbelastning.
- e) **Batteriet kan blive beskadiget af spidse genstande såsom søm eller skruetrækkere eller af eksternt påført kraft.** Der kan opstå en intern kortslutning, og batteriet kan brænde, ryge, eksplodere eller bliver overophedet.

SIKKERHEDSADVARSLER FOR OPLADER

Tilsigtet brug

Oplad kun genopladelige batteripakker af type CD801AA og CD803AA med opladeren. Andre typer batterier kan sprænge og dermed forårsage personskader og beskadigelser.

- a) **Dette apparat er ikke beregnet til at blive anvendt af personer (herunder børn) med reducerede fysiske, sansemæssige eller mentale evner samt med manglende erfaring eller viden, med mindre de er under opsyn eller bliver instrueret.**
- b) **Børn skal være under opsyn, så de ikke leger med apparatet.**
- c) **Oplad ikke batterier, der ikke er genopladelige!**
- d) **Under opladningen skal batterierne befinde sig i et område med god udluftning!**

2. MASKINOPLYSNINGER

Tilsigtet brug

Græstrimmeren er udviklet til klipning af græs og ukrudt, under buske såvel som på skrånninger. Græstrimmeren er ideel til klipning af kanter, der ikke kan nås med plæneklipperen.

Den tilsigtede brug er relateret til drift inden for en omgivelsestemperatur på mellem 0°C og 45°C. Brug ikke denne maskine i regnvej.

TEKNISKE SPECIFIKATIONER



Denne vejledning er udarbejdet til forskellige sæt/varenumre. Kontroller det tilsvarende varenummer i nedenstående tabel med specifikationer for den korrekte sammensætning og indholdet af dit sæt.

Model nr.	Batterier medfølger	Opladere medfølger
GT501DC	-	-
S_GT501DC	CD801AA	CD802AA
S2_GT501DC	2 x CD801AA	CD802AA
S3_GT501DC	CD803AA	CD802AA

Maskinoplysninger

Spænding	20 V
Teleskopstang	420-700 mm
Stangvinkeljustering	0° - 90°
Hoved justerbart	0° - 90°
Hastighed uden last	8,000/min
Skærediameter	250 mm
Skæresystem	2 liners trådspole, tap and go Ø1,2 mm x 8 m
Vægt (ekskl. batteri)	2,1 kg
Lydtrykniveau LPA	71,2 dB(A) K=3 dB(A)
Lydeffektniveau LWA	88,2 dB(A) K=3 dB(A)
Vibrationsværdi	6,918 m/s ² K=1,5 m/s ²

Model nr.	CD801AA
Batteritype	Lithium-Ion
Spænding	20 V
Kapacitet	2,0 Ah
Anbefalet oplader	CD802AA
Vægt	0,3 kg

Model nr.	CD802AA
Opladerinput	220-240 V, 50 Hz 0,4 A
Opladeroutput	21 V 2,5 A
Opladningstid 2 Ah batteri	60 minutter
Opladningstid 4 Ah batteri	120 minutter
Anbefalede batterier	CD801AA, CD803AA
Vægt	0,36 kg

Model nr.	CD803AA
Batteritype	Lithium-Ion
Spænding	20 V
Kapacitet	4,0 Ah
Anbefalet oplader	CD802AA
Vægt	0,65 kg

Garanteret værdi i henhold til støjdirektivet: LwA 96 db(A)

Brug kun de følgende batterier af VONROC VPOWER 20V-batteriplatformen. Brug af andre batterier kan forårsage personskade eller beskadigelse af værktøjet.

CD801AA	20 V, 2 Ah Lithium-Ion
CD803AA	20 V, 4 Ah Lithium-Ion

Den følgende oplader kan bruges til at oplade disse batterier.

CD802AA	Hurtig oplader
---------	----------------

Batterierne af VONROC VPOWER 20V-batteriplatformen kan udskiftes med alle værktøjer af VONROC VPOWER 20V-batteriplatformen.

Vibrationsniveau

Det udsendte vibrationsniveau, der er angivet i denne brugsvejledning, er blevet målt i overensstemmelse med en standardiseret test i henhold til EN 50636-2-91. Den kan bruges til at sammenligne et værktøj med et andet og som en indledende vurdering af eksponering for vibration, når værktøjet bruges til de nævnte anvendelser.

- Når værktøjet bruges til forskellige anvendelser, eller med forskelligt eller dårligt vedligeholdt tilbehør, kan eksponeringsniveauet øges betydeligt.
- De gange, hvor værktøjet er slukket, eller når det er tændt, men ikke bruges til opgaven på det pågældende tidspunkt, kan det reducere eksponeringsniveauet betydeligt.

Beskyt dig mod vibrationseffekterne ved at vedligeholde værktøjet og dets tilbehør, holde dine hænder varme og organisere dine arbejdsmønstre.

BESKRIVELSE

Tallene i teksten henviser til diagrammerne på side 2-5.

1. Batteri
2. Knap til oplåsning af batteri
3. Indikator for batteriopladning
4. Oplader
5. LED-indikatorer for oplader
6. Tænd/sluk-kontakt
7. Sikkerhedsafbryder
8. Forreste greb
9. Knap på forreste greb
10. Afskærmning
11. Skrue
12. Beskyttelsesskinne

13. Sidehjul
14. Sidehjulholder
15. Spoledæksel
16. Spolerulle
17. Spolefjeder
18. Spolehus
19. Spids på spolerulle
20. Justeringsknap på trimmerhoved
21. Justeringsring på trimmerhoved
22. Nederste justeringsring
23. Øverste skaft
24. Nederste skaft
25. Knap til LED-indikatorer for batteri

3. MONTERING



Tag batteriet ud, inden der udføres arbejde på el-værktøjet.



Advarsel! Brug ikke græstrimmeren uden beskyttelsesskærmen.



Maskinen skal oplades inden første brug.

Sådan sættes batteriet ind i maskinen (fig. C1)



Sørg for, at batteriets yderside er ren og tør, inden du forbinder det til opladeren eller maskinen.

1. Sæt batteriet (1) ind i maskinens base, som vist på fig. C1.
2. Skub batteriet længere frem, indtil det klikker på plads.

Sådan tages batteriet ud af maskinen (fig. C1)

1. Tryk på knappen til oplåsning af batteri (2).
2. Træk batteriet ud af maskinen, som vist på fig. C1.

Kontrol af batteriets opladestatus (fig. C2)

- Tryk kortvarigt på knappen (25) på batteriet for at kontrollere batteriets opladningsstatus.
- Batteriet har 3 lamper, der angiver opladningsniveauet. Jo flere lamper, der lyser, des mere opladning er der tilbage i batteriet.
- Når lamperne ikke lyser, betyder det, at batteriet er tomt og skal oplades med det samme.

Opladning af batteriet med opladeren (fig. C2)

1. Tag batteriet (1) ud af maskinen.


2. Vend batteriet (1) på hovedet, og skub det ind i opladeren (4), som vist på Fig. C2.
3. Skub batteriet, indtil det er helt inde i åbningen.
4. Sæt opladerstikket i en stikkontakt, og vent et øjeblik. LED-indikatorerne på opladeren (5) lyser og viser opladerens status.

Opladeren har 2 LED-indikatorer (5), som indikerer opladningsprocessens status:

Red LED-status	Grøn LED-status	Opladerstatus
Slukket	Slukket	Ingen strøm
Slukket	Tændt	Standby-tilstand: - Intet batteri isat, eller - Batteri isat, men opladning er afsluttet
Tændt	Slukket	Batteriopladning i gang

- Det kan tage op til 60 minutter at lade 2 Ah batteriet helt op.
- Det kan tage op til 120 minutter at lade 4 Ah batteriet helt op.

Når batteriet er ladet helt op, skal du tage opladerens stik ud af kontakten og fjerne batteriet fra opladeren.

 Når maskinen ikke bruges gennem en længere periode, er det bedst at opbevare batteriet i opladet tilstand.

Montering af afskærmningen (fig. B1)

- Monter afskærmningen (10) på trimmerhovedhuset.
- Fastgør afskærmningen ved hjælp af den medfølgende skrue (11).

Montering af beskyttelsesskinnen (fig. B2)

- Klem enderne af beskyttelsesskinnen (12) sammen, og skub den ind i hullerne på trimmerhovedhuset
- Beskyttelsesskinnen kan indstilles i forskellige beskyttelsesafstande. For at justere skinnen skal du bare trykke eller trække den.


Montering af det forreste greb (fig. D1)

- Placer håndtaget (8) på holderen monteret på det øverste skaft.

- Monter bolten i sekskanthullet og monter knappen (9) på bolten.

Justering af det forreste greb (fig. D2)


- Løsn knappen (9) en smule, og tryk eller træk det forreste greb (8) til den ønskede position. Dette kan enten være nedad eller opad og roterbart omkring det øverste skaft.

 Når du bruger maskinen sidelæns, skal du altid bruge sidehjulet.

Montering af sidehjulet (fig. E)

- Skub sidehjulet (13) over sidehjulholderen (14).

Montering af trådspolen (fig. F1)

 Inden spolen udskiftes, skal maskinen rengøres for snavs.

- Placer fjederen (17) i spolehuset (18). Sørg for, at fjederens bredeste ende er placeret på trimmerhovedet.
- Placer spolerullen (16) over fjederen (17). Sørg for, at trådene føres gennem hullerne inde i huset (18). (Fig. F2)
- Dæk spolerullen med spoledækslet (15), og fastgør det ved at dreje dækslet stramt.

Udskiftning af spolen (fig. F1)


- Fjern spoledækslet (15).
- Tag spolerullen (16) ud, men lad fjederen (17) være indeni.
- Tag den nye spolerulle (GT801AA) og placer den over fjederen (17). Sørg for, at trådene føres gennem hullerne inde i huset (18). (Fig. F2)
- Dæk den nye spolerulle med spoledækslet (15), og fastgør det ved at dreje dækslet stramt.

4. BETJENING

Brug af tap and go-systemet (fig. G)

- Når tråden er for kort, skal du tænde maskinen og trykke spidsen af spolerullen (19) på jorden (sørg for, at dette gøres på en hård overflade).
- Dette frigør tråden, så den kan gøres længere.
- Tråden skæres automatisk i den rette længde af klingens monteret på afskærmningen (10).

Vipning af trimmerhovedet (fig. H)

 Hold strømmen slukket, og frakobl batteriet.

- Tryk på trimmerhovedets knap (20) for at vippe hovedet i den ønskede position.
- Når knappen slippes, vil hovedet klikke og blive låst fast i den valgte position.

Drejning af trimmerhovedet (fig. I)

- Tryk ringen (21) ned mod trimmerhovedet for at dreje hovedet i den ønskede position.
- Når ringen slippes, vil hovedet klikke og blive låst fast i den valgte position.

Justering af stanghøjden (fig. J)

- For at justere maskinens højde skal du løse den nederste justeringsring (22).
- Tryk forsigtigt det nederste skaft (24) fra det øverste skaft (23) ned eller op.
- Fastgør den nederste justeringsring (22) for at sikre maskinens højde.

Brug af din græstrimmer



Inden brug skal du altid inspicere maskinen visuelt, og at dens dele er korrekt monteret, ikke slidte og ikke beskadigede.

- Af hensyn til din egen sikkerhed og for at opnå de bedste resultater bør du læse følgende brugervejledning, og du må ikke bruge dette produkt til andet end det tilsigtede formål.
- Denne græstrimmer er lavet til at klippe græs. Enhver anden brug, der ikke specifikt er tilladt i denne vejledning, kan føre til beskadigelse af græstrimmeren eller personskaade hos brugeren.

Sikkerhedsfunktioner

- Afskærmningen har en kniv til at skære tråden til den rette længde. Rør ikke ved kniven for at reducere risikoen for personskaade hos brugeren.
- Tænd/sluk-kontakten (6) og sikkerhedsafbryderen (7) skal betjenes sammen for at starte motoren. Hvis trykket på en af to kontakter slippes, er værktøjet designet til at stoppe hurtigt.

Tænd og sluk

- Tænd for trimmeren ved at trykke på sikkerhedsafbryderen (7) og tænd/sluk-kontakten (6) på samme tid.
- Sluk ved at slippe en eller begge kontakter.

5. VEDLIGEHOLDELSE



Før rengøring og vedligeholdelse skal du altid slukke for maskinen og fjerne batteripakken fra maskinen.

Rengør maskinbeklædningerne regelmæssigt med en blød klud, helst efter hver anvendelse. Sørg for, at der ikke er støv eller snavs i ventilationsåbningerne. Fjern snavs, der sidder meget godt fast, med en blød klud, der er fugtet i sæbevand. Brug ikke opløsningsmidler, som f.eks. benzin, sprit, ammoniak osv. Kemikalier som disse beskadiger de syntetiske komponenter.

MILJØ



Defekte og/eller bortskaffede elektriske og elektroniske apparater skal afleveres på en passende genbrugsstation.

Kun for lande i EU

Maskinværktøj må ikke bortskaffes sammen med husholdningsaffald. Ifølge EC-direktiv 2012/19/EU om affald af elektrisk og elektronisk udstyr og dets gennemførelse i den nationale lovgivning skal maskinværktøjer, der ikke længere anvendes, afleveres separat og bortskaffes på en miljøvenlig måde.

GARANTI

VONROC-produkter er udviklet til de højeste kvalitetsstandarder og er garanteret fri for defekter i både materialer og udførelse i den periode, der er retsligt angivet fra datoen for det originale køb. Hvis produktet skulle udvikle fejl i denne periode på grund af defekt materiale og/eller udførelse, bedes du kontakte VONROC direkte.

Følgende omstændigheder er udelukket fra denne garanti:

- Uautoriserede servicecentre har foretaget eller gjort forsøg på at foretage reparationer og/eller ændringer på maskinen;
- Normal slitage;
- Værktøjet er blevet misbrugt, brugt forkert eller ikke passende vedligeholdt;
- Der er anvendt ikke-originale reservedele.

Dette udgør den eneste garanti, virksomheden har givet, enten udtrykt eller underforstået. Der er ingen andre garantier, udtrykt eller underforstået, som strækker sig ud over denne, herunder de underforståede garantier for salgbarhed og egnethed til et bestemt formål. Under ingen omstændigheder skal VONROC holdes ansvarlig for tilfældige skader eller følgeskader. Forhandlerens retsmidler skal være begrænset til reparation eller udskiftning af enheder eller dele, der ikke overholder kravene.

Produktet og brugervejledningen er genstand for ændringer. Specifikationer kan ændres uden yderligere varsel.

1. INSTRUKCJE BEZPIECZEŃSTWA

Przeczytać dołączone ostrzeżenia dotyczące bezpieczeństwa, dodatkowe ostrzeżenia dotyczące bezpieczeństwa oraz instrukcję. Nieprzestrzeganie ostrzeżeń dotyczących bezpieczeństwa oraz instrukcji może prowadzić do porażenia prądem, pożaru i/lub poważnych obrażeń ciała. Zachować ostrzeżenia dotyczące bezpieczeństwa oraz instrukcje na przyszłość.

Następujące symbole są umieszczone w instrukcji obsługi lub na produkcie:



Przeczytać instrukcje obsługi.



Oznacza ryzyko obrażeń ciała, śmierci lub uszkodzenia narzędzia w razie nieprzestrzegania poleceń z instrukcji.



Ryzyko porażenia prądem.



Nosić ochronniki słuchu.



Zawsze nosić okulary ochronne!



Nosić maskę przeciwpyłową.



Nosić rękawice ochronne.



Nosić obuwie ochronne.



Nie wystawiać urządzenia na działanie deszczu.



Maszyna klasy II - Podwójna izolacja - Nie trzeba stosować wtyczek z uziemieniem.



Miniaturowy topik z opóźnieniem czasowym.



Maks. temperatura 45°C.



Nie wrzucać akumulatora do ognia.




Nie wrzucać akumulatora do wody.



Zbiórka selektywna akumulatora litowo jonowego.



Nie wyrzucać produktu do nieodpowiednich pojemników.

 Produkt spełnia wymogi odpowiednich norm bezpieczeństwa podanych w dyrektywach UE.



Przed rozpoczęciem czyszczenia i konserwacji zawsze wyłączać narzędzie i wyjąć z niego akumulator.



Gwarantowany poziom mocy akustycznej
LWA = 96 dB(A)

OGÓLNE ZALECENIA DOTYCZĄCE BEZPIECZEŃSTWA



UWAGA! Przeczytać wszystkie ostrzeżenia dotyczące bezpieczeństwa i wszystkie instrukcje. Nieprzestrzeganie wszystkich poniższych instrukcji może być przyczyną porażenia prądem, pożaru i/lub poważnych obrażeń.

Zachowaj poniższe instrukcje.

Termin „elektronarzędzia akumulatorowe” we wszystkich ostrzeżeniach zamieszczonych poniżej odnosi się do elektronarzędzi akumulatorowych zasilanych sieciowo (przewodowych) lub elektronarzędzi akumulatorowych działających na baterie (bezprowadowych).

1) Obszar roboczy

- a) **Obszar roboczy należy utrzymywać w czystości.** Powinien on być dobrze oświetlony. Nieład i złe oświetlenie mogą z łatwością doprowadzić do wypadku.
- b) **Nie korzystaj z elektronarzędzi akumulatorowych w warunkach, w których łatwo może dojść do wybuchu, np. w obecności łatwopalnych cieczy, gazów lub pyłu.** Podczas pracy elektronarzędzi akumulatorowych powstają iskry, które mogą doprowadzić do zapłonu pyłu lub oparów.
- c) **Dzieci i inne osoby postronne powinny pozostać w bezpiecznej odległości od pracującego urządzenia.** Rozproszenie uwagi może spowodować utratę kontroli nad urządzeniem.

2) Bezpieczeństwo związane z elektrycznością

- a) **Wtyczki elektronarzędzi akumulatorowych muszą być odpowiednie do danego gniazda. Pod żadnym pozorem nie należy modyfikować wtyczki w jakikolwiek sposób. Nie należy używać adapterów, które uzimają elektronarzędzia akumulatorowe.** Stosowanie wtyczek nie poddanych modyfikacjom oraz odpowiednich

gniazd zmniejsza ryzyko porażenia prądem.

- b) **Należy unikać bezpośredniego kontaktu fizycznego z powierzchniami uziemionymi, takimi jak rury, grzejniki, kuchenki, lodówki.** Ryzyko porażenia prądem jest większe, jeśli ciało osoby obsługującej urządzenie jest uziemione.
 - c) **Nie należy wystawiać elektronarzędzi akumulatorowych na działanie deszczu lub wilgoci.** Dostanie się wody do wnętrza elektronarzędzia akumulatorowego zwiększy ryzyko porażenia prądem.
 - d) **Nie należy używać przewodu w niewłaściwy sposób. Pod żadnym pozorem nie należy wykorzystywać przewodu do przenoszenia lub ciągnięcia elektronarzędzia akumulatorowego, ani do jego odłączania od sieci. Przewodu nie należy wystawiać na działanie ciepła, smarów. Powinien on znajdować się w bezpiecznej odległości od ostrych krawędzi i części ruchomych.** Przewody uszkodzone lub poplątane zwiększają ryzyko porażenia prądem.
 - e) **Podczas korzystania z elektronarzędzia akumulatorowego na wolnym powietrzu, należy używać przewodu przedłużacza przystosowanego do użytku na zewnątrz.** Używanie przewodu nadającego się do użytku na wolnym powietrzu zmniejsza ryzyko porażenia prądem.
 - f) **Jeśli obsługa elektronarzędzia w wilgotnym miejscu jest nieunikniona, użyć zasilania wyposażonego w wyłącznik różnicowo-prądowy.** Użycie wyłącznika różnicowo-prądowego zmniejsza ryzyko porażenia prądem.
- 3) Bezpieczeństwo osoby obsługującej urządzenie**
- a) **Przez cały czas należy mieć się na baczności, uważać na to, co się robi, a w czasie obsługi elektronarzędzia akumulatorowego postępować mając na uwadze zdrowy rozsądek. Urządzenia nie powinny obsługiwać osoby zmęczone lub będące pod wpływem narkotyków, alkoholu lub leków.** Chwila nieuwagi w czasie obsługi elektronarzędzi akumulatorowych może być przyczyną powstania poważnych obrażeń ciała.
 - b) **Należy korzystać ze sprzętu ochronnego oraz zawsze nosić okulary ochronne.** Sprzęt ochronny, jak na przykład maska przeciwpyłowa, antypoślizgowe obuwie ochronne, kask lub słuchawki ochronne używane we właściwych sytuacjach pozwoli na zmniejszenie ryzyka obrażeń ciała.

- c) **Unikać niezamierzonego uruchomienia. Przed podłączeniem urządzenia do sieci, zawsze sprawdzić, czy przełącznik znajduje się w pozycji „wyłączony”.** Przenoszenie elektronarzędzi z palcem na przełączniku lub włączonych elektronarzędzi z przełącznikiem w położeniu włączenia jest bardzo niebezpieczne i może powodować wypadki.
- d) **Przed włączeniem elektronarzędzia akumulatorowego należy usunąć z niego wszystkie klucze nastawcze lub maszynowe.** Pozostawienie klucza zamocowanego na jednej z części obrotowych urządzenia może spowodować powstanie obrażeń ciała.
- e) **Nie należy sięgać ponad urządzeniem. Przez cały czas należy zachować odpowiednią równowagę i zapewnić odpowiednie oparcie dla stóp.** Pozwoli to na lepsze kontrolowanie urządzenia w nieoczekiwanych sytuacjach.
- f) **Należy nosić odpowiednie ubranie. Do pracy z urządzeniem nie wkładać luźnych ubrań ani biżuterii. Włosy, ubranie i rękawiczki trzymać z dala od części ruchomych.** Luźne części ubrania, biżuteria lub długie włosy mogą zostać wciągnięte przez części ruchome.
- g) **Jeśli w urządzeniu przewidziano elementy służące do odprowadzania i zbierania pyłu, należy sprawdzić, czy są podłączone, i czy działają we właściwy sposób.** Korzystanie z tego typu elementów pozwala ograniczyć ryzyko związane z wydzielaniem pyłu podczas pracy urządzenia.
- h) **Nie zezwalać na to, aby rutyna związana z częstym korzystaniem z narzędzi powodowała nadmierną pewność siebie i ignorowanie zasad bezpiecznego korzystania z narzędzi.** Nieodpowiedzialne działanie może spowodować poważne obrażenia ciała w ułamku sekundy.
- 4) Obsługa i konserwacja elektronarzędzi akumulatorowych**
- a) **Urządzenia nie należy przeciążać. Należy korzystać z narzędzia odpowiedniego do danego typu pracy.** Odpowiednio dobrane urządzenie pozwoli na lepsze i bezpieczniejsze wykonanie pracy, we właściwym dla urządzenia tempie.
- b) **Z elektronarzędzia akumulatorowego nie należy korzystać, jeśli nie można go włączyć i wyłączyć przy pomocy przełącznika.** Urządzenie, którego nie można kontrolować używając przełącznika jest niebezpieczne i powinno być oddane do naprawy.
- c) **Przed przystąpieniem do regulowania elektronarzędzi akumulatorowych, wymiany akcesoriów lub przygotowywania urządzeń do okresu przechowywania, należy odłączyć wtyczkę od źródła zasilania.** Tego typu środki ostrożności zmniejszają ryzyko przypadkowego uruchomienia urządzenia.
- d) **Nieczynne elektronarzędzia akumulatorowe należy przechowywać poza zasięgiem dzieci. Nie należy pozwolić, aby osoby nie znające urządzenia lub niniejszych instrukcji obsługi włączyły urządzenie.** Elektronarzędzia akumulatorowe w rękach niekompetentnych użytkowników stanowią zagrożenie.
- e) **Elektronarzędzia akumulatorowe należy utrzymywać w dobrym stanie technicznym. Należy sprawdzać, czy części ruchome są właściwie założone, i czy się nie zacinają. Należy również sprawdzać, czy jakieś części nie są uszkodzone oraz sprawdzać wszelkie inne elementy, które mogą wpłynąć na pracę urządzeń. Jeśli urządzenie jest uszkodzone, przed przystąpieniem do jego użytkowania, należy je naprawić.** Częstą przyczyną wypadków jest zły stan techniczny urządzeń.
- f) **Narzędzia służące do cięcia powinny być naostrzone i utrzymywane w czystości.** Jeśli narzędzia służące do cięcia, które posiadają ostre krawędzie tnące, są właściwie konserwowane, istnieje mniejsze prawdopodobieństwo ich zacinania się. Ponadto, łatwiej je kontrolować.
- g) **Elektronarzędzia akumulatorowego, akcesoriów, nakładek, itp. należy używać zgodnie z niniejszymi instrukcjami oraz w sposób właściwy dla danego rodzaju urządzenia, z uwzględnieniem warunków pracy oraz jej rodzaju.** Używanie urządzenia niezgodnie z przeznaczeniem może prowadzić do powstania sytuacji niebezpiecznych.
- h) **Uchwyty należy utrzymywać w stanie suchym, czystym i niezabrudzonym olejem lub smarem.** Śliskie uchwyty i powierzchnie do chwytania nie pozwalają na bezpieczne obchodzenie się z narzędziem i panowanie nad nim w nieoczekiwanych sytuacjach.
- 5) Użytkowanie i konserwacja urządzenia zasilanego akumulatorami**
- a) **Ładować tylko przy użyciu ładowarki określonej przez producenta.** Ładowarka przewidziana dla jednego rodzaju akumulatorów stwarza

ryzyko pożaru w przypadku użycia jej z innym zestawem akumulatorów.

- b) **Należy używać jedynie akumulatorów przeznaczonych dla danego urządzenia.** Użycie innych akumulatorów stwarza ryzyko wystąpienia obrażeń ciała lub pożaru.
- c) **Kiedy akumulatorki nie są używane, należy przechowywać je z dala od przedmiotów metalowych, takich jak spinacze do papieru, monety, klucze, gwoździe, śruby lub inne niewielkie przedmioty metalowe, które mogłyby spowodować zwarcie pomiędzy stykami.** Zwarcie styków akumulatorka może spowodować pożar.
- d) **W przypadku przeciążenia z akumulatorka może wycieknąć płyn; nie należy go dotykać. W razie przypadkowego kontaktu przemyć skórę wodą. W przypadku dostania się płynu do oczu należy skontaktować się z lekarzem.** Płyn z akumulatorka może powodować podrażnienia lub oparzenia.
- e) **Nie używać uszkodzonego ani zmodyfikowanego akumulatora lub narzędzia.** Uszkodzone lub zmodyfikowane akumulatory mogą działać w sposób nieoczekiwany, co może spowodować pożar, wybuch lub ryzyko obrażeń ciała.
- f) **Nie wystawiać akumulatora ani narzędzia na działanie płomienia lub zbyt wysokiej temperatury.** Narażenie na działanie płomienia lub temperatury powyżej 130°C może spowodować wybuch. UWAGA Temperaturę „130 °C“ można zastąpić temperaturą „265 °F“.
- g) **Przestrzegać wszystkich instrukcji ładowania i nie ładować akumulatora ani narzędzia poza zakresem temperatury podanym w instrukcji.** Nieprawidłowe ładowanie lub ładowanie w temperaturze poza podanym zakresem może spowodować uszkodzenie akumulatora i zwiększyć ryzyko pożaru.

6) Serwis

- a) **Zlecać serwisowanie elektronarzędzie wykwalifikowanemu technikowi stosującymi jedynie części zamienne identyczne z oryginalnymi.** Zapewni to zachowanie bezpieczeństwa elektronarzędzia.
- b) **Nigdy nie serwisować uszkodzonych akumulatorów.** Serwisowanie akumulatorów może przeprowadzać wyłącznie producent lub autoryzowany serwis.

DODATKOWE INSTRUKCJE DOTYCZĄCE BEZPIECZEŃSTWA DLA BEZPRZEWODOWA PODKASZARKA

- Nigdy nie pozwalać dzieciom ani osobom niezaznajomionym z niniejszymi instrukcjami na używanie podkaszarki. Przepisy krajowe mogą ograniczać wiek operatora. Kiedy podkaszarka nie jest używana, przechowywać ją poza zasięgiem dzieci.
- Nigdy nie używać podkaszarki z brakującymi lub pękniętymi osłonami lub pokrywami ani bez nich.
- Przed użyciem narzędzia i w przypadku uderzenia w narzędzie, sprawdzić, czy nie występują oznaki zużycia lub uszkodzenia i zlecić naprawę w razie potrzeby.
- Nigdy nie uruchamiać urządzenia, gdy jest się zmęczonym, chorym lub pod wpływem leków, alkoholu albo innych środków odurzających.
- Zawsze nosić wytrzymałe spodnie z długimi nogawkami, pełne obuwie i rękawice. Nie nosić luźnych ubrań, biżuterii, krótkich spodenek, sandałów i nigdy nie pracować boso.
- Korzystać z ochrony oczu i ochronników słuchu podczas pracy maszyną.
- Utrzymywać solidne podparcie stóp i równowagę. Nie sięgać za daleko.
- Nigdy nie używać podkaszarki, gdy w pobliżu znajdują się ludzie (zwłaszcza dzieci) lub zwierzęta domowe.
- Przed dotknięciem żyłki poczekać, aż całkowicie się zatrzyma. Żyłka nadal obraca się po wyłączeniu podkaszarki, a obracająca się żyłka może spowodować obrażenia ciała.
- Pracować wyłącznie w świetle dnia lub przy dobrym oświetleniu sztucznym.
- Unikać używania podkaszarki w złych warunkach pogodowych, szczególnie wtedy, gdy występuje ryzyko wyładowań atmosferycznych.
- Używanie podkaszarki w mokrej trawie zmniejsza jej wydajność.
- Wyłączać podkaszarkę na czas jej transportu do i z miejsca pracy.
- Włączyć silnik tylko wtedy, gdy dłoni i stopy znajdują się z dala od elementów koszących.
- Nie zbliżać dłoni ani stóp do zespołu koszącego.
- Wyjąć akumulator przed wymianą szpuli.
- Nigdy nie instalować metalowych elementów tnących w tej podkaszarce.
- Regularnie sprawdzać i konserwować podkaszarkę.
- Przekazywać podkaszarkę do naprawy wyłącz-

- nie do autoryzowanego serwisu.
- Dopilnować, aby szczeliny wentylacyjne były zawsze wolne od zanieczyszczeń.
- Wyjąć akumulator:
 - za każdym razem, gdy pozostawi się narzędzie bez nadzoru na dowolny czas,
 - przed wymianą żyłki,
 - przed rozpoczęciem czyszczenia, kontroli lub regulacji podkaszarki.
- Przechowywać narzędzie w bezpiecznym, suchym miejscu niedostępnym dla dzieci. Nie kłaść niczego na maszynie.
- Nie używać narzędzia bez zamontowanej żyłki.

OSTRZEŻENIA DOTYCZĄCE AKUMULATORA

- a) **Nie otwierać akumulatora.** Ryzyko zwarcia.
- b) **Chronić akumulator przed gorącem, np. długotrwałym silnym nasłonecznieniem, ogniem, wodą i wilgocią.** Ryzyko wybuchu.
- c) **W razie uszkodzenia i błędnego użytkowania akumulatora, może dojść do emisji oparów. Przewietrzyć miejsce emisji i uzyskać pomoc lekarską w razie dolegliwości.** Opary mogą powodować podrażnienie układu oddechowego.
- d) **Używać akumulatora wyłącznie w połączeniu z produktem marki Vonroc.** Takie postępowanie chroni akumulator przed niebezpiecznym przeciążeniem.
- e) **Akumulator może zostać uszkodzony przez ostro zakończone przedmioty, jak gwoździe lub wkrętaki, albo przez uderzenie z zewnątrz.** Może dojść do wewnętrznego zwarcia i akumulator może zacząć się palić, dymić, wybuchnąć lub przegrzać się.

OSTRZEŻENIA DOTYCZĄCE ŁADOWARKI

Przeznaczenie

Za pomocą ładowarki ładować wyłącznie akumulatory typu CD801AA i CD803AA. Baterie mogą pękać, powodując obrażenia ciała i uszkodzenia mienia.

- a) **Urządzenie nie jest przeznaczone do użytku przez osoby (w tym dzieci) o ograniczonych zdolnościach fizycznych, czuciowych lub umysłowych albo nie posiadające doświadczenia i wiedzy, chyba że zostały one odpowiednio poinstruowane i są pod nadzorem.**
- b) **Dzieciom nie wolno pozwalać bawić się urządzeniem.**
- c) **Nie ładować zwykłych baterii!**
- d) **Podczas ładowania akumulatory muszą znajdować się w dobrze wentylowanym miejscu!**

2. INFORMACJE O NARZĘDZIU

Przeznaczenie

Podkaszarka jest przeznaczona do koszenia trawy i chwastów, miejsc pod krzewami oraz zboczy. Podkaszarka idealnie nadaje się do cięcia krawędzi, do których dostęp z użyciem kosiarki jest niemożliwy. Podkaszarka jest przeznaczona do użytku w temperaturze otoczenia od 0°C do 45°C. Nie używać narzędzia w deszczu.


DANE TECHNICZNE





Niniejsza instrukcja dotyczy różnych zestawów/numerów artykułów. Sprawdźcie odpowiedni numer artykułu w poniższej tabeli, aby uzyskać informacje na temat zawartości zestawu.

Nr modelu	Baterie w komplecie	Ładowarka w komplecie
GT501DC	-	-
S_GT501DC	CD801AA	CD802AA
S2_GT501DC	2 x CD801AA	CD802AA
S3_GT501DC	CD803AA	CD802AA

Informacje o maszynie	
Napięcie	20V
Drażek teleskopowy	420-700 mm
Regulacja nachylenia drążka	0° - 90°
Regulacja głowicy	0° - 90°
Prędkość bez obciążenia	8000 obr./min
Średnica koszenia	250 mm
Układ koszenia	Szpula z 2 żyłkami Typu „stuknij, aby wysunąć” Ø1,2 mm x 5 m
Ciężar (bez akumulatora)	2,1 kg
Poziom ciśnienia akustycznego LPA	71,2 dB(A) K= 3dB(A)
Poziom mocy akustycznej LWA	88,2 dB(A) K= 3dB(A)
Wartość drgań	6,918 m/s ² K=1,5 m/s ²

Nr modelu	CD801AA
Typ akumulatora	Litowo-jonowy
Napięcie	20V 
Pojemność	2,0 Ah
Zalecana ładowarka	CD802AA
Ciężar	0,3 kg

Nr modelu	CD802AA
Parametry wejściowe ładowarki	220-240V, 50Hz 0,4A
Parametry wyjściowe ładowarki	21V  2,5A
Czas ładowania akumulatora 2 Ah	60 minut
Czas ładowania akumulatora 4 Ah	120 minut
Zalecane akumulatory	CD801AA, CD803AA
Ciężar	0,36 kg

Nr modelu	CD803AA
Typ akumulatora	Lithium-Ion
Napięcie	20V 
Pojemność	4,0 Ah
Zalecana ładowarka	CD802AA
Ciężar	0,65 kg

Gwarantowana wartość zgodnie z dyrektywą dotyczącą hałasu: LwA 96db (A)

Używać wyłącznie następujących akumulatorów z platformy akumulatorów VONROC VPOWER 20V. Użycie innych akumulatorów może spowodować poważne obrażenia ciała lub uszkodzenie narzędzia.

CD801AA 20V, 2Ah Litowo-jonowy
CD803AA 20V, 4Ah Litowo-jonowy

Następującej ładowarki można używać do ładowania tych akumulatorów.

CD802AA Szybka ładowarka

Akumulatory należące do platformy VONROC VPOWER 20V można stosować we wszystkich narzędziach z platformy VONROC VPOWER 20V.

Poziom drgań

Poziom emisji drgań podany w tej instrukcji obsługi został zmierzony zgodnie ze standaryzowanym testem podanym w normie EN 50636-2-91; może on służyć do porównywania narzędzi ze sobą oraz do wstępnego oszacowania ekspozycji na drgania podczas użytkowania narzędzia do podanych zastosowań

- używanie narzędzia do innych zastosowań lub z innymi lub źle konserwowanymi akcesoriami może znacząco zwiększać poziom ekspozycji
- okresy, gdy narzędzie jest wyłączone lub okresy, gdy jest włączone, ale nie pracuje, mogą znacząco zmniejszać poziom ekspozycji

Chronić się przed wpływem drgań, konserwując odpowiednio narzędzie i akcesoria, utrzymując ciepłotę dłoni oraz odpowiednio organizując pracę.

OPIS

Liczby w tekście odnoszą się do rysunków na stronach 2-5.

1. Akumulator
2. Przycisk odblokowania akumulatora
3. Wskaźnik ładowania akumulatora
4. Ładowarka
5. Diody LED ładowarki
6. Włącznik
7. Wyłącznik bezpieczeństwa
8. Uchwyt przedni
9. Pokrętko uchwytu przedniego
10. Osłona ochronna
11. Wkręt
12. Pręt ochronny
13. Kółko boczne
14. Mocowanie kółka bocznego
15. Pokrywa szpuli
16. Szpula
17. Sprężyna szpuli
18. Kasetka szpuli
19. Końcówka szpuli
20. Przycisk regulacji głowicy podkaszarki
21. Pierścień regulacji głowicy podkaszarki
22. Dolny pierścień regulacji
23. Górny wał
24. Dolny wał
25. Przycisk diod LED akumulatora

3. MONTAŻ



Przed rozpoczęciem jakichkolwiek prac dotyczących elektronarzędzia, wyjąć akumulator.



Ostrzeżenie! Nie używać podkaszarki bez osłony ochronnej.



Narzędzie należy naładować przed pierwszym użyciem.

Wkładanie akumulatora do narzędzia (Rys. C1)



Dopilnować, aby zewnętrzna powierzchnia akumulatora była czysta i sucha przed podłączeniem do ładowarki lub narzędzia.

1. Włożyć akumulator (1) w podstawę narzędzia, zgodnie z Rys. C1.
2. Wcisnąć akumulator dalej, aż zatrzaśnie się w poprawnym położeniu.

Wymowianie akumulatora z narzędzia (Rys. C1)

1. Wcisnąć przyciski odblokowania akumulatora (2).
2. Wyjąć akumulator z narzędzia zgodnie z Rys. C1.

Sprawdzanie stanu naładowania akumulatora (Rys. C2)

- Aby sprawdzić stan naładowania akumulatora, wcisnąć przycisk (25) na akumulatorze na chwilę.
- Akumulator ma 3 diody informujące o poziomie naładowania. Im więcej świeci dioda, tym wyższy poziom naładowania akumulatora.
- Jeśli diody nie świecą, oznacza to, że akumulator jest rozładowany i wymaga niezwłocznego naładowania.

Ładowanie akumulatora (ładowarką) (Rys. C2)

1. Wyjąć akumulator (1) z narzędzia.
2. Ustawić akumulator (1) spodem do góry i wsunąć go na ładowarkę (4) zgodnie z Rys. C2.
3. Wcisnąć akumulator do oporu do gniazda.
4. Podłączyć ładowarkę do gniazodka i poczekać chwilę. Dioda LED na Akumulator (5) zaświeci się, informując o stanie ładowania.

Akumulator jest wyposażona w 2 diodę LED (5), informującą o stanie procesu ładowania:

Stan czerwonej diody LED	Stan zielonej diody LED	Stan ładowarki
Wył.	Wył.	Brak zasilania
Wył.	Wł.	Tryb gotowości: - Nie włożono akumulatora lub - Włożono akumulator, ale ładowanie zostało zakończone
Wł.	Wył.	Ładowanie akumulatora w toku

- Całkowite naładowanie akumulatora 2Ah może trwać do 60 minut.
- Całkowite naładowanie akumulatora 4Ah może trwać do 120 minut.

Po całkowitym naładowaniu akumulatora wyjąć wtyczkę ładowarki z gniazodka i wyjąć akumulator z ładowarki.



Kiedy narzędzie nie jest używane przez długi okres, najlepiej przechowywać akumulator w stanie naładowanym.

Montaż osłony ochronnej (Rys. B1)

- Zamontować osłonę ochronną (10) na obudowę głowicy podkaszarki.
- Zamocować osłonę wkrętem (11) dołączonym do zestawu.

Montaż pręta ochronnego (Rys. B2)

- Ścisnąć końce pręta ochronnego (12), zbliżając je do siebie, a następnie wsunąć je w otwory w obudowie głowicy podkaszarki.
- Pręt ochronny można ustawić w różnych odległościach od głowicy. Aby dostosować ułożenie pręta, po prostu nacisnąć lub pociągnąć go.

Montaż uchwyty przedniego (Rys. D1)

- Założyć uchwyt (8) na uchwycie zamontowanym na górnym wale.
- Włożyć śrubę w sześciokątny otwór i zamontować pokrętko (9) na śrubie.

Regulacja uchwytu przedniego (Rys. D2)

- Lekko odkręcić pokrętko (9) i pchnąć lub pociągnąć uchwyt przedni (8) w żądane położenie. Można go przesuwac w dół lub w górę górnego wału i obracać wokół niego.



Korzystać z kółka bocznego w przypadku korzystania z narzędzia ułożonego bokiem.

Montaż kółka bocznego (Rys. E)

- Wsunąć kółko boczne (13) na mocowanie kółka bocznego (14).

Montaż szpuli żyłki (Rys. F1)

Przed wymianą szpuli, dokładnie oczyścić narzędzie.

- Włożyć sprężynę (17) w kasetę szpuli (18). Dopilnować, aby szerszy bok sprężyny został założony na głowicę podkaszarki.
- Założyć szpulę (16) na sprężynę (17). Dopilnować, aby żyłka została przełożona przez otwory w obudowie (18). (Rys. F2)
- Zastłonić szpulę pokrywą szpuli (15) i zamocować ją, lekko obracając pokrywę.

Wymiana szpuli (Rys. F1)

- Zdjąć pokrywę szpuli (15).
- Wyjąć szpulę (16), ale pozostawić sprężynę (17) w narzędziu.
- Wziąć nową szpulę (GT801AA) i założyć ją na sprężynę (17). Dopilnować, aby żyłka została przełożona przez otwory w obudowie (18). (Rys. F2)
- Zastłonić nową szpulę pokrywą szpuli (15) i zamocować ją, lekko obracając pokrywę.

4. OBSŁUGA**Korzystanie z systemu typu „stuknij, aby wysunąć żyłkę” (Rys. G)**

- Kiedy żyłka jest za krótka, włączyć narzędzie i stuknąć końcówką szpuli (19) o podłoże (koniecznie stuknąć o twardą powierzchnię).
- Spowoduje to zwolnienie i wysunięcie żyłki.
- Żyłka zostanie automatycznie przycięta na odpowiednią długość przez ostrze zamontowane w osłonie ochronnej (10).

Pochylenie głowicy podkaszarki (Rys. H)

Narzędzie musi być wyłączone, a akumulator wyjęty.

- Nacisnąć przycisk (20) na głowicy podkaszarki, aby odchylić ją w żądane położenie.
- Po zwolnieniu przycisku głowica zatrzaśnie się i zablokuje w wybranym położeniu.

Obracanie głowicy podkaszarki (Rys. I)

- Nacisnąć pierścień (21) w dół w stronę głowicy podkaszarki, aby obrócić ją w żądane położenie.
- Po zwolnieniu pierścienia głowica zatrzaśnie się i zablokuje w wybranym położeniu.

Regulacja długości drążka (Rys. J)

- Aby wyregulować długość narzędzia, poluzować dolny pierścień regulacji (22).
- Ostrożnie wyciągnąć dolny wał (24) z górnego wału (23), przesuwając go w dół lub do góry.
- Zamocować dolny pierścień regulacji (22), aby zablokować ustaloną długość.

Korzystanie z podkaszarki

Przed użyciem zawsze wzrokowo sprawdź narzędzie i jego części pod względem właściwego zamontowania, oznak zużycia lub uszkodzeń.

- Dla własnego bezpieczeństwa i uzyskania najlepszych rezultatów należy zapoznać się z poniższymi poradami dla użytkowników i nie używać produktu do celów niezgodnych z przeznaczeniem.
- Ta podkaszarka jest przeznaczona do koszenia trawy. Wszystkie pozostałe zastosowania nieopisane w tej instrukcji mogą spowodować uszkodzenie podkaszarki lub obrażenia ciała użytkownika.

Zabezpieczenia

- Osłona ochronna jest wyposażona w ostrze do przycinania żyłki na prawidłową długość. Nie dotykać ostrza, aby ograniczyć ryzyko odniesienia obrażeń ciała przez użytkownika.
- Aby uruchomić silnik, jednocześnie użyć włącznika (6) oraz wyłącznika bezpieczeństwa (7). Jeżeli którykolwiek z dwóch przełączników przestanie być naciskany, narzędzie natychmiast przerwie pracę.

Włączanie i wyłączenie

- Aby włączyć podkaszarkę, nacisnąć jednocześnie wyłącznik bezpieczeństwa (7) i włącznik (6).
- Aby wyłączyć urządzenie, puścić jeden lub oba przełączniki.

5. KONSERWACJA

Przed rozpoczęciem czyszczenia i konserwacji zawsze wyłączac maszynę i wyjmować z niej akumulator.

Czyścić obudowę maszyny regularnie miękką ściereczką, najlepiej po każdym użyciu. Dopilnować, aby otwory wentylacyjne były wolne od pyłu, kurzu i zabrudzeń. Usuwać odporne zabrudzenia miękką ściereczką zwilżoną mydlinami. Nie używać żadnych rozpuszczalników, takich jak benzyna, alkohol, amoniak itp. Takie substancje chemiczne spowodują uszkodzenie części z tworzyw sztucznych.

ŚRODOWISKO

Uszkodzone i/lub niepotrzebne urządzenia elektryczne lub elektroniczne podlegają zbiórce w odpowiednich punktach recyklingu.

Tylko kraje WE

Nie wyrzucac elektronarzędzi wraz z odpadami z gospodarstw domowych. Zgodnie z dyrektywa 2012/19/WE dotycząca zużytych urządzeń elektrycznych i elektronicznych oraz jej wdrożeniem do prawodawstwa krajowego, elektronarzędzia, które już nie nadają się do użytku, podlegają oddzielnej zbiórce oraz utylizacji w sposób przyjazny dla środowiska.

GWARANCJA

Produkty VONROC są wytwarzane zgodnie z najwyższymi standardami jakości i producent udziela gwarancji na wady materiałowe i wady wykonania na okres wymagany prawem, licząc od dnia zakupu. Jeśli wystąpi usterka produktu w tym okresie spowodowana wadą materiałową i/lub wadą wykonania, proszę bezpośrednio skontaktować się ze sprzedawcą VONROC.

Następujące okoliczności powodują unieważnienie gwarancji:

- Przeprowadzono naprawy lub modyfikacje narzędzia w serwisie innym lub autoryzowany lub podjęto ich próbę;
- Normalne zużycie nie jest objęte gwarancją;
- Narzędzie było używane niezgodnie z przeznaczeniem, źle z nim się obchodzono lub było nieprawidłowo konserwowane;
- Użyto części zamiennych innych niż oryginalne.

Niniejsza gwarancja to wyłączna gwarancja producenta i nie obowiązują żadne inne wyrażone ani dorozumiane gwarancje. Nie obowiązują żadne inne wyrażone ani dorozumiane gwarancje o zakresie przekraczającym niniejszą gwarancję, co obejmuje dorozumiane gwarancje przydatności do sprzedaży i przydatności do określonego celu. W żadnym przypadku firma VONROC nie ponosi odpowiedzialności za straty przypadkowe lub wynikowe. Zadośćuczynienie sprzedawcy jest ograniczone do naprawy lub wymiany niezgodnych urządzeń lub części.

Produkt i instrukcja obsługi podlegają zmianom. Dane techniczne podlegają zmianom bez uprzedzenia.

1. INSTRUCȚIUNI DE SIGURANȚĂ

Citiți avertizările de siguranță, avertizările de siguranță suplimentare și instrucțiunile. Nerespectarea avertizărilor de siguranță poate cauza producerea de electrocutări, incendii și/sau răniri grave. Păstrați avertizările de siguranță și instrucțiunile pentru referințe viitoare.

În manualul de utilizare sau pe produs se utilizează următoarele simboluri:



Citiți manualul de utilizare.



Indică riscul de rănire personală, pierderea vieții sau deteriorarea sculei în cazul în care nu se respectă instrucțiunile din acest manual.



Pericol de electrocutare.



Purtați protecții antifonice.



Purtați echipament de protecție pentru ochi.



Purtați o mască antipraf.



Purtați mănuși de protecție.



Purtați cizme de protecție.



Nu expuneți la ploaie.



Mașină din clasa II - Izolație dublă - Nu este necesară o priză cu împământare.



Legătură de siguranță în miniatură de tip Time-lag.



Temperatură max. 45°C.



Nu aruncați bateria în foc.



Nu aruncați bateria în apă.



Colectare separată pentru bateria Li-ion.



Nu scoateți din uz produsul în containere neadecvate.



Produsul este în conformitate cu standardele de siguranță aplicabile din directivele europene.



Înainte de curățare și întreținere, opriți alimentarea electrică a mașinii și scoateți acumulatorul din mașină.



Nivelul de putere sonoră garantat LWA = 96 dB(A)

AVERTISMENTE GENERALE DE SIGURANȚĂ PRIVIND UNELTELE ELECTRICE



AVERTISMENT! Citiți toate avertismentele de siguranță și toate instrucțiunile.

Nerespectarea avertismentelor și instrucțiunilor poate cauza producerea de electrocutări, incendii și/sau răniri grave.

Păstrați toate avertismentele și instrucțiunile pentru consultare ulterioară.

Termenul „unealtă electrică” din avertismente se referă la unealta electrică (cu cablu) alimentată de la rețea sau la unealta electrică cu acumulator (fără fir).

1) Siguranța zonei de lucru

- Păstrați zona de lucru curată și bine iluminată.** Zonele dezordonate sau întunecate duc la accidente.
- Nu operați uneltele electrice în atmosfere explozive, cum ar fi în prezența lichidelor, gazelor sau pulberilor explozive.** Uneltele electrice generează scântei care pot aprinde pulberea sau fumul inflamabile.
- Țineți la distanță copiii și persoanele din jur în timp ce operați o unealtă electrică.** Distragerile vă pot cauza pierderea controlului.

2) Siguranța electrică

- Ștecherile uneltelor electrice trebuie să se potrivească cu priza. Nu modificați niciodată în nici un fel mufele. Nu folosiți adaptoare de priză cu scule electrice legate de pământ (împământate).** Mufele nemodificate și prizele adecvate reduc riscul șocului electric.
- Evitați contactul corpului cu suprafețele împământate precum țevi, radiatoare, cuptoare și frigider.** Există un risc mai mare de electrocutare dacă vă este corpul împământat.
- Nu expuneți uneltele electrice la ploaie sau**

condiții de umezeală. Apa care pătrunde într-o unealtă electrică va spori riscul de electrocutare.

- d) **Nu manipulați necorespunzător cablul. Nu folosiți niciodată cordonul pentru a purta, a trage sau a deconecta unealta. Feriți cordonul de căldură, ulei, margini ascuțite sau piese mobile.** Cordoane distruse sau încurcate cresc riscul de electrocutare.
- e) **Atunci când operați o unealtă de lucru în aer liber, utilizați un cablu prelungitor pentru exterior.** Folosirea unui cordon potrivit pentru utilizarea în exterior reduce riscul de șoc electric.
- f) **În cazul în care operarea unei unelte electrice într-un spațiu cu umiditate nu poate fi evitată, utilizați o alimentare cu protecție pentru dispozitivele de curent rezidual (RCD).** Utilizarea unui RCD reduce riscul de electrocutare.

3) Siguranța personală

- a) **Fiți precauți, fiți atenți la ceea ce faceți și respectați regulile de bun simț atunci când operați o unealtă electrică. Nu utilizați o unealtă electrică atunci când sunteți obosit sau sub influența medicamentelor, alcoolului sau medicației.** Un moment de neatenție în timpul operării uneltelor electrice poate conduce la vătămări corporale grave.
- b) **Utilizați echipamentul de protecție corporală. Purtați întotdeauna protecție pentru ochi.** Echipamentul de protecție precum masca de praf, pantofii de protecție antiderapanți, casca de protecție sau protecția auzului utilizate în condiții adecvate vor reduce rănilor personale.
- c) **Preîntâmpinați pornirea accidentală. Asigurați-vă că comutatorul este în poziția-oprit înainte de a vă conecta la sursa de alimentare și / sau la baterie, de a ridica sau purta instrumentul.** Purtarea de unelte electrice ținând degetul pe comutator sau alimentarea uneltelor electrice care au comutatorul pornit duce la accidente.
- d) **Îndepărtați orice cheie sau clește de reglare înainte de a porni unealta electrică.** O cheie sau un clește rămas atașat la o componentă rotativă a uneltei electrice poate conduce la vătămări corporale.
- e) **Nu vă întindeți pentru a apuca unealta de lucru. Mențineți-vă întotdeauna stabilitatea și echilibrul.** Acest lucru permite un control mai bun al uneltei electrice în situații neașteptate.
- f) **Îmbrăcați-vă corespunzător. Nu purtați haine largi sau bijuterii. Țineți-vă părul, îmbrăcămintea și mânușile departe de piesele mobile.**

Hainele largi, bijuteriile sau părul lung pot fi prinse în părțile mobile.

- g) **În cazul în care dispozitivele prezintă posibilitatea conectării de accesorii pentru aspirația și colectarea prafului, asigurați-vă că aceste accesorii sunt conectate și utilizate în mod corespunzător.** Utilizarea colectării prafului poate reduce pericolele legate de praf.
 - h) **Nu lăsați ca obișnuința obținută prin utilizarea frecventă a uneltelor să vă permită să deveniți impasibil și să ignorați principiile de siguranță în utilizarea uneltelor.** O acțiune neglijentă poate provoca accidente grave într-o fracțiune de secundă.
- ### 4) Utilizarea și îngrijirea uneltei electrice
- a) **Nu forțați unealta electrică. Utilizați unealta electrică adecvată aplicației dvs.** Unealta electrică corectă va face munca mai bine și mai sigur la rata pentru care a fost proiectată.
 - b) **Nu utilizați unealta electrică în cazul în care întrerupătorul nu comută în poziția pornit și oprit.** Orice unealtă electrică care nu poate fi controlată cu comutatorul este periculoasă și trebuie reparată.
 - c) **Deconectați ștecherul de la sursa de alimentare și/sau acumulatorul de la unealta electrică înainte efectuării oricăror reglaje, modificării accesoriilor sau depozitării uneltelor electrice.** Aceste măsuri preventive de precauție reduc riscul de pornire accidentală.
 - d) **Nu depozitați uneltele electrice în stare inactivă la îndemâna copiilor și nu permiteți persoanelor nefamiliarizate cu unealta de lucru sau cu aceste instrucțiuni să o utilizeze.** Uneltele electrice sunt periculoase în mâinile utilizatorilor neinstruiți.
 - e) **Efectuați întreținerea uneltelor electrice. Verificați dacă piesele mobile sunt realiniate sau înțepenite, dacă există piese sparte și în orice altă stare care poate să afecteze operarea uneltei electrice. În cazul deteriorării, reparați unealta electrică înainte de uz.** Multe accidente sunt cauzate de unelte electrice slab întreținute.
 - f) **Păstrați uneltele de tăiat ascuțite și curate.** Uneltele de tăiat corect întreținute cu muchii ascuțite au mai puține șanse să se lege și sunt mai ușor de controlat.
 - g) **Utilizați unealta electrică, accesoriile și cuțitele uneltei etc. conform acestor instrucțiuni, ținând cont de condițiile de lucru și de lucrarea ce trebuie să fie efectuată.** Utilizarea uneltei

electrice pentru operații diferite de cele pentru care a fost proiectată poate avea ca rezultat o situație periculoasă.

- h) **Țineți mânerul și suprafețele de prindere uscate, curate și lipsite de ulei și unsoare.** Mânere și suprafețele de prindere alunecoase nu permit manipularea și controlul unelei în de siguranță în situații neașteptate.

5) Utilizarea și îngrijirea bateriei unelei

- a) **Reîncărcați folosind exclusiv încărcătorul specificat de către producător.** Un încărcător adecvat pentru un anumit tip de acumulator poate genera risc de incendiu atunci când este utilizat cu un alt tip de acumulator.
- b) **Utilizați unelele electrice exclusiv împreună cu acumulatorii specificați.** Utilizarea oricărui alți acumulatori poate genera riscuri de vătămare și incendiu.
- c) **Atunci când acumulatorul nu este utilizat, păstrați-l ferit de alte obiecte metalice, precum agrafe de birou, monede, chei, cuie, șuruburi sau alte obiecte metalice mici ce ar putea crea prin contact conexiunea între cele două borne.** Scurtcircuitarea bornelor acumulatorului poate determina arsuri sau incendii.
- d) **În condiții de utilizare incorectă, este posibil să fie evacuat lichid din baterie; evitați contactul cu acesta. În cazul în care se produce accidental contactul, clătiți cu apă. Dacă lichidul intră în contact cu ochii, solicitați ajutor medical suplimentar.** Lichidul scurs din acumulator poate cauza iritații sau arsuri.
- e) **Nu folosiți un acumulator sau o unealtă care este deteriorată sau modificată.** Acumulatorii deteriorați sau modificați pot avea un comportament imprevizibil care rezultă în foc, explozie sau risc de rănire.
- f) **Nu expuneți acumulatorul sau unealta la foc sau temperatură excesivă.** Expunerea la foc sau temperaturi de peste 130 °C poate provoca explozie. **OBSERVAȚIE** Temperatura „130 °C” poate fi înlocuită cu temperatura „265 °F”.
- g) **Respectați toate instrucțiunile de încărcare și nu încărcați acumulatorul sau unealta în afara intervalului de temperatură specificat în instrucțiuni.** Încărcarea necorespunzătoare sau la temperaturi în afara domeniului specificat poate deteriora acumulatorul și poate crește riscul de incendiu.

6) Service

- a) **Prevedeți repararea unelei de lucru de către o persoană calificată, folosind exclusiv piese de schimb identice.** Acest lucru va garanta păstrarea în siguranță a unelei electrice.
- b) **Niciodată nu serviți acumulatorii deteriorați.** Servisarea acumulatorilor ar trebui să fie efectuată numai de către producător sau furnizorii autorizați de service.

INSTRUCȚIUNI SUPLIMENTARE DE SIGURANȚĂ TRIMMERELE ELECTRICE FĂRĂ FIR

- Nu permiteți niciodată copiilor sau persoanelor nefamiliarizate cu instrucțiunile să utilizeze trimmerul. Regulamentele locale pot limita vârsta operatorului. Când nu este folosit, nu depozitați trimmerul la îndemâna copiilor.
- Nu acționați niciodată trimmerul cu protecții sau apărătoare lipsă sau rupte sau fără protecții sau apărătoare în poziție.
- Înainte de a utiliza aparatul și după orice fel de impact, verificați aparatul pentru a depista semnele de uzură sau deteriorare și reparați-l dacă este necesar.
- Nu folosiți niciodată aparatul atunci când sunteți obosit, bolnav sau sub influența alcoolului sau a unor medicamente.
- Purtați întotdeauna cizme, mănuși și pantaloni lungi. Nu purtați haine largi, bijuterii, pantaloni scurți, sandale și nu lucrați niciodată desculți.
- Purtați protecție pentru ochi și protecție pentru urechi atunci când folosiți mașina.
- Păstrați un echilibru și un echilibru ferm. Nu vă întindeți pentru a apuca unealta de lucru.
- Nu utilizați niciodată trimmerul atunci când în apropiere se află persoane în special copii sau animale de companie.
- Așteptați până când linia bobinei s-a oprit complet înainte de a o atinge. Linia bobinei continuă să se rotească după oprirea trimmerului; un fir rotativ poate provoca răniri.
- Lucrați numai la lumina zilei sau cu iluminat artificial bun
- Evitați utilizarea trimmerului în condiții meteorologice nefavorabile în special atunci când există un risc de trăsnet.
- Utilizarea trimmerului în iarbă umedă scade eficiența performanței.
- Opriți când transportați trimmerul în și din zona de lucru.

- Porniți motorul doar când mâinile și picioarele sunt la depărtare de mijloacele de tăiere.
- Nu puneți mâinile sau picioarele lângă sistemul de tăiere.
- Scoateți bateria înainte de schimbarea bobinei.
- Nu montați niciodată elemente de tăiere a metalului pe acest aparat de tuns.
- Inspectați și întrețineți mașina de tuns gard viu în mod regulat.
- Dispuneți repararea trimmerului numai de către un agent autorizat de service clienți.
- Asigurați-vă întotdeauna că fantele de ventilare nu prezintă depuneri.
- Îndepărtați bateria:
 - de fiecare dată când lăsați aparatul nesupravegheat pentru o perioadă de timp
 - înainte de a înlocui firul
 - înainte de a curăța sau de a lucra la trimmer
- Depozitați aparatul într-un loc sigur și uscat, care să nu fie la îndemâna copiilor. Nu așezați obiecte grele pe mașină.
- Nu folosiți mașina fără a atașamentului firului fixat.

AVERTISMENTE DE SIGURANȚĂ PENTRU BATERIE

- a) **Nu deschideți bateria.** Pericol de scurtcircuit.
- b) **Protejați bateria împotriva căldurii, de ex. împotriva expunerii puternice la soare, foc, apă și umiditate.** Pericol de explozie.
- c) **În cazul deteriorării și utilizării necorespunzătoare a bateriei, pot fi emiși vapori. Ventilați zona și solicitați asistență medicală în caz de sesizări.** Vaporii pot irita sistemul respirator.
- d) **Utilizați bateria numai împreună cu produsul dvs. Vonroc.** Numai această măsură protejează bateria împotriva supraîncărcării periculoase.
- e) **Bateria poate fi deteriorată de obiecte ascuțite, cum ar fi cuie sau șurubelnițe sau prin forță aplicată extern.** Poate apărea un scurtcircuit intern și bateria poate arde, exploda sau supraîncălzi.

AVERTISMENTE DE SIGURANȚĂ PENTRU STAȚII DE ÎNCĂRCARE

Domeniul de utilizare

Încărcați doar acumulatorii de tip CD801AA și CD803AA cu încărcătorul. Alte tipuri de acumulatori pot exploda provocând rănire personală și daune.

- a) **Aparatul nu trebuie utilizat de către persoane (inclusiv copii) cu capacități fizice, senzoriale sau mentale reduse, sau de către persoane**

lipsite de experiență și cunoștințe, cu excepția cazului în care acestea au fost supravegheate și instruite.

- b) **Nu lăsați copiii nesupravegheați să se joace cu aparatul.**
- c) **Nu reîncărcați bateriile ne-reîncărcabile!**
- d) **În timpul încărcării, acumulatorii trebuie amplasați într-o zonă bine ventilată!**

2. INFORMAȚII CU PRIVIRE LA MAȘINĂ

Domeniul de utilizare

Trimmerul este realizat pentru tăierea ierbii și buruienilor, atât sub tufișuri, cât și pe pante. Trimmerul este ideal pentru tăierea marginilor care nu pot fi atinse cu mașina de tuns iarba.

Utilizarea prevăzută este legată de funcționarea între 0°C și 45°C la temperatură ambientă. Nu folosiți acest aparat în ploaie.

SPECIFICAȚII TEHNICE





Acest manual a fost realizat pentru diferite numere de seturi/articole. Verificați numărul articolului corespunzător în tabelul de specificații de mai jos pentru a vedea compoziția și conținutul exact al setului.

Nr. model	Acumulatori inclus	Încărcătoare inclus
GT501DC	-	-
S_GT501DC	CD801AA	CD802AA
S2_GT501DC	2 x CD801AA	CD802AA
S3_GT501DC	CD803AA	CD802AA

Informații despre mașină	
Tensiune	20 V
Tijă telescopică	420-700mm
Reglarea unghiului tijei	0° - 90°
Cap reglabil	0° - 90°
Turație la mers în gol	8,000/min
Diametru de tăiere	250 mm
Sistem de tăiere	Bobină cu 2 linii, Tap and go Ø1,2 mm x 8 m
Greutate (fără. acumulator)	2,1 kg
Nivelul presiunii sonore LPA	71,2 dB(A), K=3dB(A)

Nivelul puterii sonore LWA	88,2 dB(A), K=3dB(A)
Valoare vibrații	6,918 m/s ² K=1,5 m/s ²

Nr. model	CD801AA
Tip acumulator	Litiu ion
Tensiune	20 V 
Capacitate	2,0 Ah
Încărcător recomandat	CD802AA
Greutate	0,3 kg

Nr. model	CD802AA
Intrare încărcător	220-240V, 50Hz 0,4A
Ieșire încărcător	21V  2,5A
Timp de încărcare acumulator 2Ah	60 minute
Timp de încărcare acumulator 4Ah	120 minute
Acumulatori recomandați	CD801AA, CD803AA
Greutate	0,36 kg

Nr. model	CD803AA
Tip acumulator	Litiu ion
Tensiune	20 V 
Capacitate	4,0 Ah
Încărcător recomandat	CD802AA
Greutate	0,65 kg

Valoare garantată conform directivei privind zgomotul: LwA 96db(A)

Utilizați numai următoarele baterii ale platformei VONROC VPOWER 20V. Utilizarea altor baterii poate provoca vătămări corporale grave sau defectarea uneltei.

CD801AA 20V, 2Ah Litiu-Ion
CD803AA 20V, 4Ah Litiu-Ion

Următorul încărcător al dispozitivului poate fi utilizat pentru a încărca aceste baterii.
CD802AA Încărcător rapid

Bateriile platformei VONROC VPOWER 20V sunt interschimbabile cu toate uneltele VONROC VPOWER 20V.

Nivelul vibrațiilor

Nivelul emisiilor de vibrații menționat în acest manual de instrucțiuni a fost măsurat în conformitate cu un test standardizat precizat în EN 50636-2-91; poate fi folosit pentru a compara o sculă cu alta și ca evaluare preliminară a expunerii la vibrații atunci când folosiți scula pentru aplicațiile menționate.

- Utilizarea aparatului pentru aplicații diferite sau cu accesoriile diferite și prost întreținute, poate crește semnificativ nivelul de expunere.
- Momentele în care aparatul este oprit sau când funcționează dar nu execută nicio lucrare, pot reduce semnificativ nivelul de expunere.

Protejați-vă împotriva efectelor vibrațiilor prin întreținerea sculei și a accesoriilor sale, păstrând mâinile calde și organizând procesele de lucru.

DESCRIERE

Numerale din text se referă la diagramele de la paginile 2-5.

1. Acumulator
2. Buton deblocare acumulator
3. Indicator încărcare acumulator
4. Încărcător
5. Indicatori LED încărcător
6. Comutator pornire/oprire
7. Comutator de siguranță
8. Mâner frontal
9. Rozetă mâner față
10. Apărătoare de protecție
11. Șurub
12. Apărătoare
13. Roată laterală
14. Suport de roată laterală
15. Capac bobină
16. Bobină
17. Arc de bobină
18. Carcasă mosor
19. Bobină vârf
20. Buton de reglare a capului de trimmer
21. Inel de reglare a capului trimmerului
22. Inel de reglare inferior
23. Arbore superior
24. Arbore inferior
25. Buton indicator cu LED pentru acumulator

3. ASAMBLAREA



Înainte de orice lucrare asupra aparatului, decuplați bateria.



Avertizare! Nu folosiți trimmerul fără dispozitivul de protecție.



Înainte de prima utilizare, mașina trebuie încărcată.

Introducerea acumulatorului în mașină (Fig. C1)



Asigurați-vă că exteriorul acumulatorului este curat și uscat înainte de a îl conecta la acumulator sau la mașină.

1. Introduceți bateria (1) în suportul mașinii, așa cum este indicat în Fig. C1.
2. Apăsați acumulatorul până când se fixează în poziție.

Scoaterea acumulatorului din aparat (Fig. C1)

1. Apăsați butonul de deblocare a acumulatorului (2).
2. Trageți acumulatorul din aparat, așa cum este indicat în Fig. C1.

Verificarea nivelului de încărcare a acumulatorului (Fig. C2)

- Pentru a verifica nivelul de încărcare a acumulatorului, apăsați scurt butonul (25) de pe acumulator.
- Acumulatorul este prevăzut cu 3 lumini care indică nivelul de încărcare, numărul de lumini aprinse semnifică gradul de încărcare a bateriei.
- Atunci când luminile sunt stinse, acest lucru semnifică faptul că acumulatorul este descărcat și trebuie încărcat imediat.

Încărcarea acumulatorului folosind încărcătorul (Fig. C2)

1. Scoateți acumulatorul (1) din mașină.
2. Întoarceți invers acumulatorul (1) și împingeți-l în încărcător (4), așa cum este indicat în Fig. C2.
3. Apăsați acumulatorul până când este introdus complet în locaș.
4. Conectați mufa încărcătorului la o priză electrică și așteptați o perioadă. Indicatorii LED de pe încărcător (5) se vor aprinde și vor indica nivelul de încărcare.

Încărcătorul are 2 indicatori LED (5), care indică nivelul procesului de încărcare:

LED roșu de stare	LED verde de stare	Stare încărcător
Oprit	Oprit	Fără alimentare
Oprit	Pornit	Mod de așteptare: - Nu este niciun acumulator introdus sau, - Acumulator introdus dar încărcarea s-a sfârșit
Pornit	Oprit	Încărcare acumulator în progres

- Încărcarea completă a acumulatorului de 2Ah poate dura până la 60 minute.
- Încărcarea completă a acumulatorului de 4Ah poate dura până la 120 minute.

După încărcarea completă a acumulatorului, scoateți mufa încărcătorului din priză și îndepărtați acumulatorul din încărcător.



Atunci când aparatul nu este utilizat pe o perioadă mai lungă de timp, cel mai bine este să păstrați acumulatorul în stare încărcată.

Montarea apărătorii (Fig. B1)

- Montați apărătoarea de protecție (10) pe carcasa capului trimmerului.
- Asigurați apărătoarea cu ajutorul celor două șuruburi (11) livrate.

Montarea protecției (Fig. B2)

- Strângeți capetele protecției (12) împreună și glisați în orificiile carcasei capului de trimmer.
- Protecția poate fi reglată la diferite distanțe de protecție. Pentru a regla protecția, pur și simplu apăsați sau trageți de ea.

Montarea mânerului frontal (Fig. D1)

- Așezați mânerul (8) pe suportul montat pe arborile superior.
- Montați șurubul în orificiul hexagonal și montați rozeta (9) pe șurub.

Ajustarea mânerului frontal (Fig. D2)

- Deșurubați ușor rozeta (9) și apăsați sau trageți

mănerul frontal (8) în poziția dorită. Acesta poate fi fie în jos, fie în sus și poate fi rotit în jurul arborelui superior.



Când utilizați mașina în lateral, utilizați întotdeauna roata laterală.

Montarea roții laterale (Fig. E)

- Glisați roata laterală (13) peste suportul roții laterale (14).

Montarea bobinei de fir (Fig. F1)



Înainte de a înlocui bobina, curățați mașina de orice murdărie.

- Așezați arcul (17) în carcasa bobinei (18). Asigurați-vă că partea mai lată a arcului este plasată pe capul de trimmer.
- Așezați bobina (16) peste arc (17). Asigurați-vă că firele sunt trecute prin orificiile din interiorul carcasei (18). (Fig. F2)
- Acoperiți bobina cu capacul bobinei (15) și fixați-o rotind bine capacul.

Înlocuirea bobinei (Fig. F1)

- Îndepărtați capacul bobinei (15).
- Scoateți bobina (16), dar lăsați arcul (17) în interior.
- Luați noua bobină (GT801AA) și așezați-o peste arc (17). Asigurați-vă că firele sunt trecute prin orificiile din interiorul carcasei (18). (Fig. F2)
- Acoperiți bobina cu capacul bobinei (15) și fixați-o rotind bine capacul.

4. OPERAREA

Utilizarea sistemului „tap and go” (Fig. G)

- Când firul este prea scurt, porniți mașina și apăsați vârful bobinei (19) pe sol (asigurați-vă că faceți acest lucru pe o suprafață dură).
- Acest lucru va elibera firul pentru a deveni mai lung.
- Firul va fi tăiat automat pe lungimea corectă de lama montată în protecția de protecție (10).

Înclinarea capului trimmerului (Fig. H)



Vă rugăm să păstrați alimentarea oprită și să deconectați bateria.

- Apăsați butonul (20) al capului de tuns pentru a înclina capul în poziția dorită.

- Când butonul este eliberat, capul va face clic și se va bloca în poziția aleasă.

Rotirea capului trimmerului (Fig. I)

- Apăsați inelul (21) în jos spre capul de trimmer pentru a roti capul în poziția dorită.
- Când inelul este eliberat, capul va face clic și se va bloca în poziția aleasă.

Reglarea înălțime tije (Fig. J)

- Pentru a regla înălțimea mașinii, slăbiți inelul de reglare inferior (22).
- Împingeți cu grijă arborele inferior (24) din arborele superior (23) în jos sau în sus.
- Fixați inelul inferior de reglare (22) pentru a asigura înălțimea mașinii.

Utilizarea trimmerului



Înainte de utilizare, verificați întotdeauna vizual mașina și piesele sale sunt montate corect, nu sunt uzate sau deteriorate.

- Pentru siguranța dvs. și pentru cele mai bune rezultate, citiți următoarele recomandări pentru utilizator și nu utilizați acest produs în niciun alt scop decât cel pentru care a fost conceput.
- Acest trimmer este realizat pentru tăierea ierbii. Orice altă utilizare care nu este permisă în mod special în acest manual poate duce la deteriorarea mașinii de tuns iarba sau la rănirea utilizatorului.

Funcții de siguranță

- Apărătoarea de protecție are un cuțit pentru tăierea sârmei la lungimea corectă. Nu atingeți cuțitul pentru a reduce șansa de rănire.
- Comutatorul pornit/oprit (6) și comutatorul de siguranță (7) trebuie acționate împreună pentru a porni motorul. Dacă presiunea pe unul dintre cele două comutatoare este eliberată, aparatul este proiectat să se oprească rapid.

Pornirea și oprirea

- Pentru a porni mașina pentru tuns gard viu, apăsați întrerupătorul de siguranță (7) și butonul de pornire/oprire (6) în același timp.
- Pentru a opri mașina, eliberați unul sau ambele butoane.

5. ÎNTREȚINEREA



Înainte de curățare și întreținere, opriți alimentarea electrică a mașinii și scoateți acumulatorul din mașină.

Curățați regulat carcasa cu o cârpă moale, de preferat după fiecare utilizare. Curățați fantele de aerisire de praf și murdărie. Îndepărtați murdăria persistentă cu o cârpă moale înmuiată în clăbuci de săpun. Nu folosiți solvenți precum benzină, alcool, amoniac, etc. Astfel de substanțe chimice vor deteriora componentele sintetice.

MEDIU



Aparatele electrice sau electronice deteriorate și/sau defecte trebuie colectate în locurile de reciclare corespunzătoare.

Numai pentru țările din CE

Nu aruncați echipamentele acționate electric împreună cu gunoiul menajer. Conform Indicației europene 2012/19/CE pentru echipamente electrice și electronice uzate și a implementării sale la nivel național, echipamentele acționate electric scoase din uz trebuie colectate separat și evacuate într-o manieră ecologică.

GARANȚIE

Produsele VONROC sunt realizate la cele mai înalte standarde de calitate și sunt garantate în privința materialelor și a manoperei pentru întreaga perioadă de utilizare în garanție, începând cu data achiziției. În cazul în care produsul prezintă defecțiuni în perioada de garanție din cauza materialului defect și/sau a manoperei, contactați direct VONROC.

Următoarele circumstanțe sunt excluse de la această garanție:

- Reparațiile sau modificările care realizate sau care s-au încercat a fi efectuate de centre de service neautorizate;
- Uzura în condiții normale de utilizare;
- Unealta care a fost abuzată, utilizată într-un mod neglijent sau întreținută în mod inadecvat;
- Folosirea unor piese de schimb neoriginale.

Aceasta acoperă garanția companiei, explicită sau implicită. Nu există alte garanții explicite sau impli-

cite care să se extindă dincolo de cele indicate aici, incluzând garanțiile, vandabilitatea sau adecvarea pentru un anumit scop. În nicio situație, VONROC nu este responsabil pentru daunele incidentale sau consecvențiale. Reparațiile efectuate de reprezentant trebuie să fie limitate la reparațiile sau la înlocuirea unităților sau a pieselor neconforme.

Produsul și manualul de utilizare pot suferi modificări. Specificațiile se pot modifica fără notificare prealabilă.

1. INSTRUÇÕES DE SEGURANÇA

Leia os avisos de segurança fornecidos, os avisos de segurança adicionais e as instruções. O não cumprimento dos avisos de segurança e das instruções pode resultar em choque eléctrico, incêndio e/ou ferimentos graves. Guarde os avisos de segurança e as instruções para referência futura.

Os seguintes símbolos são utilizados no manual do utilizador ou no produto:



Leia o manual do utilizador.



Indica o risco de ferimentos, morte ou danos na ferramenta se as instruções indicadas neste manual não forem seguidas.



Risco de choque eléctrico.



Use protecção auricular.



Use protecção ocular.



Use uma máscara anti poeira.



Use luvas de protecção.



Use botas de protecção.



Não exponha à chuva.



Máquina de classe II - isolamento duplo - Não é necessária uma ficha de ligação à terra.



Fusível miniatura com desfaseamento.



Temperatura máx. de 45 °C.



Não deite a bateria no fogo.



Não coloque a bateria dentro de água.



Recolha selectiva para bateria de iões de lítio.



Não elimine o produto em recipientes não adequados.



O produto está em conformidade com as normas de segurança aplicáveis nas directivas europeias.



Antes de efectuar a limpeza e a manutenção, desligue sempre a máquina e retire a bateria da máquina.



Nível de potência acústica LWA = 96 dB(A)

AVISOS GERAIS DE SEGURANÇA SOBRE A FERRAMENTA ELÉCTRICA



AVISO! Leia todos os avisos de segurança e instruções. O não cumprimento dos avisos de segurança e as instruções podem resultar em choque eléctrico, incêndio e/ou ferimentos graves.

Guarde todos os avisos e instruções para referência futura.

O termo “ferramenta eléctrica” indicado nos avisos diz respeito à ferramenta eléctrica com alimentação pela rede (com fio) ou por bateria (sem fio).

1) Segurança da área de trabalho

- Mantenha a área de trabalho limpa e devidamente iluminada.** As áreas obstruídas ou escuras são propícias a acidentes.
- Não utilize ferramentas eléctricas em atmosferas explosivas, por exemplo, na presença de líquidos inflamáveis, gases ou poeiras.** As ferramentas eléctricas produzem faíscas que podem causar ignição de poeiras ou vapores.
- Quando utilizar uma ferramenta eléctrica, mantenha as crianças e transeuntes afastados.** As distrações podem causar perda de controlo.

2) Segurança eléctrica

- As fichas da ferramenta eléctrica devem corresponder à tomada. Nunca modifique, de forma alguma, a ficha. Não utilize quaisquer fichas adaptadoras com ferramentas eléctricas ligadas à terra (massa).** As fichas e tomadas correspondentes não modificadas reduzem o risco de choque eléctrico.
- Evite o contacto do corpo com superfícies ligadas à terra ou massa, como tubos, radiadores, fogões ou frigoríficos.** Há um maior risco de choque eléctrico se o corpo estiver ligado à terra ou à massa.

- c) **Não exponha as ferramentas eléctricas à chuva ou a ambientes húmidos.** A entrada de água numa ferramenta eléctrica aumenta o risco de choque eléctrico.
- d) **Não utilize o cabo de maneira abusiva. Nunca utilize o cabo para transportar, puxar ou desligar a ferramenta eléctrica. Mantenha o cabo afastado de fontes de calor, óleo, extremidades afiadas ou peças móveis.** Cabos danificados ou enrolados aumenta o risco de choque eléctrico.
- e) **Quando utilizar uma ferramenta eléctrica no exterior, opte por uma extensão adequada para utilização no exterior.** A utilização de um cabo adequado para utilização no exterior reduz o risco de choque eléctrico.
- f) **Se não for possível evitar trabalhar com uma ferramenta eléctrica num local húmido, utilize uma fonte de alimentação protegida por um dispositivo de corrente residual (DCR).** A utilização de um DCR reduz o risco de choque eléctrico.
- 3) Segurança eléctrica**
- a) **Esteja atento, preste atenção ao que está a fazer e tenha bom senso quando utilizar uma ferramenta eléctrica. Não utilize uma ferramenta eléctrica quando estiver cansado ou sob o efeito de drogas, álcool ou medicamentos.** Um momento de distração durante a utilização de ferramentas eléctricas pode resultar em ferimentos graves.
- b) **Use equipamento de protecção individual. Use sempre protecção ocular.** O equipamento de protecção, como, por exemplo, máscara de poeiras, sapatos de segurança antiderrapantes, capacete de segurança ou protecção auditiva, utilizado nas condições adequadas, reduz o risco de ferimentos.
- c) **Evite accionamentos acidentais. Assegure-se de que o gatilho está desligado antes de ligar a ferramenta à corrente eléctrica e/ou as baterias e antes de levantar ou transportar a ferramenta.** O transporte de ferramentas eléctricas com o dedo colocado no interruptor ou a ligação à corrente das ferramentas eléctricas com o interruptor ligado pode dar origem a acidentes.
- d) **Retire eventuais chaves de ajuste ou chaves de fendas antes de ligar a ferramenta eléctrica.** Uma chave de fenda ou de ajuste montada numa peça rotativa da ferramenta eléctrica pode causar ferimentos.
- e) **Não tente chegar a pontos fora do alcance. Mantenha-se sempre numa posição firme e bem equilibrada.** Desta forma, será mais fácil controlar a ferramenta eléctrica em situações inesperadas.
- f) **Use vestuário adequado. Não use roupa larga ou jóias. Mantenha o cabelo, a roupa e as jóias afastados das peças móveis.** As roupas largas, as jóias ou o cabelo comprido podem ficar presos nestas peças.
- g) **Se for prevista a montagem de dispositivos de extracção e recolha de poeiras, assegure-se de que estão ligados e que são utilizados de forma correcta.** A utilização de dispositivos de extracção de poeiras pode reduzir os riscos inerentes.
- h) **Não permita que a familiaridade obtida através do uso frequente de ferramentas faça com que seja complacente e ignore os princípios de segurança da ferramenta.** Uma acção irreflectida pode causar ferimentos graves numa fracção de segundos.
- 4) Utilização e cuidados a ter com a ferramenta eléctrica**
- a) **Não sobrecarregue a ferramenta eléctrica. Utilize a ferramenta eléctrica correcta para o seu trabalho.** A ferramenta eléctrica adequada efectua o trabalho de maneira mais eficiente e segura se for utilizada de acordo com a capacidade para a qual foi concebida.
- b) **Não utilize a ferramenta eléctrica se não conseguir ligar ou desligar o gatilho.** Qualquer ferramenta eléctrica que não possa ser controlada através do gatilho é perigosa e tem de ser reparada.
- c) **Retire a ficha da fonte de alimentação e/ou a bateria da ferramenta eléctrica antes de efectuar quaisquer ajustes, substituir acessórios ou guardar ferramentas eléctricas.** Estas medidas de segurança preventivas reduzem o risco de ligar a ferramenta eléctrica acidentalmente.
- d) **Mantenha as ferramentas eléctricas que não estiverem a ser utilizadas fora do alcance das crianças. Não permita que a ferramenta eléctrica seja utilizada por pessoas não familiarizadas com a mesma ou que não tenham lido estas instruções.** As ferramentas eléctricas são perigosas nas mãos de pessoas que não possuam as qualificações necessárias para manuseá-las.
- e) **Faça a manutenção das ferramentas eléctricas. Verifique se as peças móveis da ferramenta**

eléctricas estão alinhadas e não emperram, bem como se existem peças partidas ou danificadas ou quaisquer outras condições que possam afectar o funcionamento da mesma. Se a ferramenta eléctrica estiver danificada, esta não deve ser utilizada até que seja reparada. Muitos acidentes têm como principal causa ferramentas eléctricas com uma manutenção insuficiente.

- f) **Mantenha as ferramentas de corte afiadas e limpas.** As ferramentas de corte sujeitas a uma manutenção adequada, com arestas de corte afiadas, bloqueiam com menos frequência e controlam-se com maior facilidade.
- g) **Utilize a ferramenta eléctrica, os acessórios e as peças de ferramenta, etc., de acordo com estas instruções, considerando as condições de trabalho e a tarefa a ser executada.** A utilização da ferramenta eléctrica para fins diferentes dos previstos pode resultar em situações perigosas.
- h) **Mantenha as pegas e as superfícies de fixação secas, limpas e sem óleo e gordura.** Os punhos e as pegas não permitem o manuseamento e o controlo seguro da ferramenta em situações imprevistas.

5) Utilização e cuidados a ter com a ferramenta com baterias

- a) **Recarregue apenas com o carregador especificado pelo fabricante.** Um carregador adequado para um tipo de bateria pode causar um incêndio se for utilizado com outra bateria.
- b) **Utilize apenas ferramentas eléctricas que tenham baterias especificamente concebidas.** A utilização de outro tipo de baterias pode causar ferimentos e incêndio.
- c) **Quando não utilizar a bateria, mantenha-a afastada de outros objectos metálicos, tais como cliques para papel, moedas, chaves, pregos, parafusos ou outros pequenos objectos metálicos que permitam fazer a ligação entre um terminal e outro.** O curto-circuito dos terminais da bateria pode causar queimaduras ou um incêndio.
- d) **Em condições abusivas, pode derramar líquido da bateria, devendo evitar o contacto. Se tocar acidentalmente no líquido, lave bem com água. Se o líquido entrar em contacto com os olhos, consulte um médico.** O líquido derramado da bateria pode causar irritação ou queimaduras.
- e) **Não utilize baterias ou ferramentas danificadas ou modificadas.** As baterias danificadas

ou modificadas podem ter um comportamento inesperado, resultando em incêndio, explosão ou risco de ferimentos.

- f) **Não exponha as baterias ou as ferramentas a fogo ou a temperaturas excessivas.** A exposição a fogo ou a temperaturas superiores a 130 °C podem causar uma explosão. NOTA: a temperatura "130 °C" pode ser substituída pela temperatura "265 °F".
 - g) **Siga todas as instruções de carga e não carregue a bateria ou ferramenta fora do intervalo de temperaturas especificado nas instruções.** A carga inadequada ou de acordo com temperaturas fora do intervalo especificado pode danificar a bateria e aumentar o risco de incêndio.
- #### 6) Assistência
- a) **A sua ferramenta eléctrica só deve ser reparada por um técnico de reparação qualificado e só devem ser utilizadas peças sobressalentes idênticas.** Desta forma, é garantida a segurança da ferramenta eléctrica.
 - b) **Nunca repare baterias danificadas.** A reparação de baterias deve ser efectuada apenas pelo fabricante ou fornecedores de assistência autorizados.

INSTRUÇÕES DE SEGURANÇA ADICIONAIS PARA APARADOR DE RELVA SEM FIO

- Nunca permita que crianças ou pessoas não familiarizadas com estas instruções utilizem o aparador. Os regulamentos locais podem restringir a idade do operador. Quando não utilizar o equipamento, armazene-o num local afastado do alcance de crianças.
- Nunca utilize o aparador com protecções em falta ou partidas ou sem protecções ou blindagens de posição.
- Antes de utilizar a máquina e após o impacto, verifique se existem sinais de desgaste ou danos e repare-a, se necessário.
- Nunca utilize o equipamento quando estiver cansado, doente ou sob o efeito de álcool, drogas ou medicamentos.
- Use sempre calçadas compridas e pesadas, botas e luvas. Não use roupa solta, jóias, calças curtas, sandálias e nunca trabalhe descalço.
- Quando utilizar a máquina, use protecção ocular de segurança e protecção auricular.
- Mantenha os pés firmes e equilibrados. Não tente chegar a pontos fora do alcance.

- Nunca utilize este aparador perto de pessoas, em especial crianças, ou animais de estimação.
- Aguarde até a linha do carreto parar por completo antes de tocar-lhe. Depois do aparador ser desligado, a linha do carreto continua a rodar. Uma lâmina em rotação pode causar ferimentos.
- Só deve trabalhar durante o dia ou se houver luz artificial adequada.
- Evite utilizar o aparador em condições atmosféricas desfavoráveis, em especial se houver o risco de relâmpagos.
- A utilização do aparador em relva húmida diminui a eficiência do desempenho.
- Desligue o aparador quando transportá-lo de e para a área onde estiver a trabalhar.
- Só deve ligar o motor quando as mãos e pés estiverem afastadas do sistema de corte.
- Não coloque as mãos ou os pés perto do sistema de corte.
- Retire a bateria antes de substituir o carreto.
- Nunca instale ferramentas de corte de metal neste aparador.
- Inspeccione e faça a manutenção com regularidade.
- O aparador só deve ser reparado por um técnico de apoio ao cliente autorizado.
- Certifique-se sempre de que as aberturas de ventilação não estão sujas com resíduos.
- Retire a bateria:
 - sempre que não utilizar a máquina durante um determinado período de tempo;
 - antes de substituir o fio;
 - antes de limpar ou trabalhar com o aparador.
- Armazene a máquina num local seco e seguro, fora do alcance das crianças. Não coloque outros objectos em cima da máquina.
- Não utilize a máquina sem o acessório de fio instalado.

AVISOS DE SEGURANÇA SOBRE A BATERIA

- a) **Não abra a bateria.** Perigo de curto-circuito.
- b) **Proteja a bateria do calor, por exemplo, contra exposição contínua a luz solar, fogo, água e humidade.** Perigo de explosão.
- c) **Em caso de danos e uso inadequado da bateria, podem ser emitidos vapores. Ventile a área e contacte um médico se houver queixas.** Os vapores podem irritar o sistema respiratório.
- d) **Utilize a bateria apenas em conjunto com o seu produto da Vonroc.** Esta é a única protecção contra sobrecarga perigosa.

- e) **A bateria pode ser danificada por objectos afiados, como pregos ou chaves de fendas ou se for aplicada força externa.** Pode ocorrer um curto-circuito interno e a bateria pode queimar, causar fumo, explodir ou sobreaquecer.

AVISOS DE SEGURANÇA SOBRE O CARREGADOR

Utilização pretendida

Deve utilizar apenas as baterias recarregáveis CD801AA e CD803AA no carregador. Outros tipos de baterias podem rebentar, causando ferimentos e danos.

- a) **O equipamento não deve ser utilizado por pessoas (incluindo crianças) com capacidades físicas, sensoriais ou mentais reduzidas ou com falta de experiência e conhecimentos, a menos que tenham supervisão ou instrução.**
- b) **As crianças devem ser vigiadas, para que não brinquem com o equipamento.**
- c) **Não recarregue baterias não recarregáveis!**
- d) **Durante o carregamento, as baterias devem ser colocadas em locais bem ventilados!**

2. INFORMAÇÕES SOBRE A MÁQUINA

Utilização pretendida

O aparador de relva é concebido para cortar relva e ervas daninhas, debaixo de arbustos, bem como em declives. O aparador de relva é adequado para cortar arestas que não podem ser alcançadas com o aparador de relva.


A utilização pretendida está relacionada com o funcionamento a uma temperatura ambiente entre 0 °C e 45 °C. Não utilize a máquina à chuva.

ESPECIFICAÇÕES TÉCNICAS



Este manual foi elaborado para conjuntos/números de artigos diferentes. Verifique o número do artigo correspondente na tabela de especificações indicada abaixo para obter a composição e conteúdos correctos do seu conjunto.

Modelo n.º	Baterias incluídas	Carregadores incluídos
GT501DC	-	-
S_GT501DC	CD801AA	CD802AA
S2_GT501DC	2 CD801AA	CD802AA
S3_GT501DC	CD803AA	CD802AA

Informações sobre a máquina	
Tensão	20 V 
Haste telescópica	420 - 700 mm
Regulação do ângulo da haste	0° - 90°
Cabeça regulável	0° - 90°
Sem velocidade de carga	8,000/min
Diâmetro de corte	250 mm
Sistema de corte	Carreto de fio com 2 linhas, "Tap and go", Ø 1,2 mm x 8 m
Peso (sem a bateria)	2,1 kg
Nível de pressão acústica LPA	71,2 dB(A) K = 3 dB(A)
Nível de potência acústica LWA	88,2 dB(A) K = 3 dB(A)
Valor de vibração	6,918 m/s ² K = 1,5 m/s ²

Valor garantido de acordo com a directiva de ruído: LwA, 96 dB(A)

Utilize apenas as seguintes baterias da plataforma de baterias VONROC VPOWER, 20 V. A utilização de quaisquer outras baterias podem causar ferimentos graves ou danos na ferramenta.


CD801AA lões de lítio, 20 V, 2 Ah

CD803AA lões de lítio, 20 V, 4 Ah

O seguinte carregador pode ser utilizado para carregar estas baterias.

CD802AA Carregador rápido


As baterias da plataforma de baterias VPOWER de 20 V da VONROC podem ser utilizadas com todas as ferramentas da plataforma de baterias VPOWER de 20 V da VONROC.

Modelo n.º	CD801AA
Tipo de bateria	lões de lítio
Tensão	20 V 
Capacidade	2,0 Ah
Carregador recomendado	CD802AA
Peso	0,3 kg


Nível de vibração

O nível de emissão de vibrações indicado neste manual de instruções foi medido em conformidade com um teste padrão especificado pela norma EN 50636- 2- 91; pode ser utilizado para comparar ferramentas e como avaliação preliminar da exposição a vibrações quando utilizar a ferramenta nas aplicações indicadas.

- A utilização da ferramenta para aplicações diferentes, ou com acessórios diferentes ou com uma manutenção deficiente, pode aumentar consideravelmente o nível de exposição.
- O número de vezes que a ferramenta é desligada ou está ligada, mas não está a ser utilizada, pode reduzir significativamente o nível de exposição.

Modelo n.º	CD802AA
Entrada do carregador	220 - 240 V, 50 Hz, 0,4 A
Saída do carregador	21 V  2,5 A
Tempo de carregamento de uma bateria de 2 Ah	60 minutos
Tempo de carregamento de uma bateria de 4 Ah	120 minutos
Baterias recomendadas	CD801AA, CD803AA
Peso	0,36 kg

Proteja-se contra os efeitos da vibração, através de uma manutenção da ferramenta e dos respectivos acessórios, mantendo as mãos quentes e organizando os seus padrões de trabalho.

Modelo n.º	CD803AA
Tipo de bateria	lões de lítio
Tensão	20 V 
Capacidade	4,0 Ah
Carregador recomendado	CD802AA
Peso	0,65 kg

DESCRIÇÃO

Os números indicados no texto dizem respeito aos diagramas nas páginas 2-5.

1. Bateria
2. Botão de desbloqueio da bateria
3. Indicador de carga da bateria
4. Carregador
5. LED de indicação do carregador
6. Interruptor para ligar/desligar
7. Interruptor de segurança

8. Pega dianteira
9. Botão da pega dianteira
10. Protecção
11. Parafuso
12. Barreira de protecção
13. Roda lateral
14. Suporte da roda lateral
15. Tapa do carretel
16. Carretel
17. Mola do carreto
18. Caixa do carreto
19. Carretel da ponta
20. Botão de regulação da cabeça do aparador
21. Anel de regulação da cabeça do aparador
22. Anel de regulação inferior
23. Eixo superior
24. Eixo inferior
25. Botão dos indicadores LED da bateria

3. MONTAGEM



Retire a bateria antes de efectuar qualquer tarefa na ferramenta eléctrica.



Aviso! Não utilize o aparador de relva sem a protecção.



A máquina deve ser carregada antes de utilizá-la pela primeira vez.

Inserir a bateria na máquina (Fig. C1)



Assegure-se que o exterior da bateria está limpo e seco antes de ligá-lo ao carregador ou máquina.

1. Insira a bateria (1) na base da máquina, como indicado na Fig. C1.
2. Empurre a bateria ainda mais até encaixar no respectivo local.

Retirar a bateria da máquina (Fig. C1)

1. Prima o botão de desbloqueio da bateria (2).
2. Retire a bateria da máquina, como indicado na Fig. C1.

Verificar o estado de carregamento da bateria (Fig. C2)

- Para verificar o estado de carga da bateria, prima ligeiramente o botão (25) na bateria.
- A bateria tem 3 indicadores luminosos que indicam o nível de carga, quanto maior for o número de indicadores luminosos que se acenderem, maior é a carga restante na bateria.

- Se os indicadores luminosos não se acenderem, isso significa que a bateria não tem carga e que deve carregá-la de imediato.

Carregar a bateria com o carregador (Fig. C2)

1. Retire a bateria (1) da máquina.
2. Vire a bateria (1) ao contrário e encaixe-a no carregador (4), como indicado na Fig. C2.
3. Empurre a bateria até estar totalmente encaixada na ranhura.
4. Ligue a ficha do carregador a uma tomada eléctrica e aguarde alguns instantes. Os indicadores LED no carregador (5) acendem-se e mostram o estado de carregador.

O carregador tem 2 indicadores LED (5), que indicam o estado do processo de carregamento:

Estado do LED vermelho	Estado do LED verde	Estado do carregador
Desligado	Desligado	Sem energia
Desligado	Ligado	Modo de espera: - A bateria não foi inserida ou - a bateria foi inserida, mas o carregamento foi concluído
Ligado	Desligado	Carregamento da bateria em curso

- O carregamento total da bateria de 2 Ah pode demorar até cerca de 60 minutos.
- O carregamento total da bateria de 4 Ah pode demorar até cerca de 120 minutos.

Quando a bateria estiver totalmente carregada, retire a ficha do carregador da tomada e retire a bateria do carregador.



Se a máquina não for utilizada durante um período de tempo maior, é aconselhável armazenar a bateria carregada.

Montar a protecção (Fig. B1)

- Instale a protecção (10) na caixa da cabeça do aparador.
- Fixe a protecção com o parafuso (11) fornecido.

Montagem da barreira de protecção (Fig. B2)

- Aperte as extremidades da barreira de protecção (12) em conjunto e encaixe as aberturas da caixa da cabeça do aparador.

- A barreira de protecção pode ser regulada para distâncias de protecção diferentes. Para regular a calham, basta carregar ou puxar a calha.

Montar a pega dianteira (Fig. D1)

- Coloque a pega (8) no suporte montado no eixo superior.
- Coloque o parafuso no furo hexagonal e monte o botão (9) no parafuso.

Regular a pega dianteira (Fig. D2)

- Desaperte o botão (9) ligeiramente e carregue ou puxe a pega dianteira (8) para a posição pretendida. Pode fazê-lo para baixo ou para cima e rodá-la à volta do eixo superior.



Quando utilizar a máquina de lado, utilize sempre a roda lateral.

Montar a roda lateral (Fig. E)

- Encaixe a roda lateral (13) sobre o suporte da roda lateral (14).

Montar o carreto de fio (Fig. F1)



Antes de voltar a colocar o carreto, limpe a sujidade da máquina.

- Coloque a mola (17) na caixa do carreto (18). Certifique-se de que o lado mais largo da mola é colocado na cabeça do aparador.
- Coloque o carretel (16) sobre a mola (17). Certifique-se de que os fios passam através das aberturas dentro da caixa (18). (Fig. F2)
- Tape o carretel com a tampa do carretel (15) e aperte-o, rodando a tampa com firmeza.

Substituir o carreto (Fig. F1)

- Retire a tampa do carretel (15).
- Retire o carretel (16), mas deixe a mola (17) no interior.
- Retire o novo carretel (GT801AA) e coloque-o sobre a mola (17). Certifique-se de que os fios passam através das aberturas dentro da caixa (18). (Fig. F2)
- Tape o novo carretel com a tampa do carretel (15) e aperte-o, rodando a tampa com firmeza.

4. FUNCIONAMENTO

Utilizar o sistema “Tap and go” (Fig. G)

- Se o fio for demasiado curto, ligue a máquina e carregue na ponta do carretel (19) até tocar no chão (certifique-se de que o faz numa superfície dura).
- Isto vai libertar o fio para que fique mais comprido.
- O fio é cortado automaticamente para o comprimento correcto através da lâmina montada na protecção (10).

Inclinar a cabeça do cortador (Fig. H)



Mantenha a potência desligada e retire a bateria.

- Carregue no botão (20) da cabeça do aparador para inclinar a cabeça para a posição pretendida.
- Quando o botão for libertado, a cabeça encaixa e fica bloqueada na posição pretendida.

Ligar a cabeça do cortador (Fig. I)

- Carregue no anel (21) para baixo na direcção da cabeça do aparador para colocar a cabeça na posição pretendida.
- Quando o anel for libertado, a cabeça encaixa e fica bloqueada na posição pretendida.

Regular a altura da haste (Fig. J)

- Para regular a altura da máquina, desaperte o anel de regulação inferior (22).
- Empurre o eixo inferior (24) com cuidado a partir do eixo superior (23) para baixo ou para cima.
- Aperte o anel de regulação inferior (22) para fixar a altura da máquina.

Utilizar o aparador de relva



Antes de utilizar, inspeccione sempre se a máquina e as respectivas peças estão montadas correctamente, se não estão gastas ou danificadas.

- Para sua segurança e para obter os melhores resultados, leia os seguintes conselhos para o utilizador e não utilize este produto para qualquer outra utilização que não seja a pretendida.
- Este aparador de relva é concebido para cortar relva. Qualquer outra utilização que não seja especificamente permitida neste manual pode dar origem a danos no aparador de relva ou ferimentos no utilizador.

Funções de segurança

- A protecção tem uma faca para cortar o fio para o comprimento correcto. Não toque na faca para reduzir a probabilidade de ferimentos no utilizador.
- O interruptor para ligar/desligar (6) e o interruptor de segurança (7) devem ser utilizados em conjunto para ligar o motor. Se a pressão for libertada num dos dois interruptores, a ferramenta é concebida para parar rapidamente.

Ligar e desligar

- Para ligar o aparador, carregue no interruptor de segurança (7) e no interruptor para ligar/desligar (6) em simultâneo.
- Para desligar, liberte um ou ambos os interruptores.

5. MANUTENÇÃO



Antes de efectuar a limpeza e a manutenção, desligue sempre a máquina e retire a bateria da máquina.

Limpe a caixa da máquina com regularidade com um pano macio, de preferência após cada utilização. Certifique-se de que as aberturas de ventilação não têm pó ou sujidade. Retire a sujidade muito persistente com um pano macio humedecido com água de sabão. Não utilize solventes, como gasolina, álcool, amoníaco, etc. Este tipo de produtos químicos danificam os componentes sintéticos.

AMBIENTE



Os equipamentos eléctricos ou electrónicos defeituosos e/ou eliminados devem ser recolhidos em locais de reciclagem adequados.

Apenas para os países da CE

Não elimine as ferramentas eléctricas em conjunto com os resíduos domésticos. De acordo com a directiva europeia 2012/19/CE sobre resíduos de equipamentos eléctricos e electrónicos e a respectiva implementação na legislação nacional, as ferramentas eléctricas que já não sejam utilizadas devem ser recolhidas em separado e eliminadas de maneira ecológica.

GARANTIA

Os produtos da VONROC são desenvolvidos de acordo com os padrões de qualidade mais elevados e não apresentam quaisquer defeitos em termos de materiais e mão-de-obra em relação ao período estipulado por lei, cujo início é a partir da data de compra original. Se o produto apresentar qualquer falha durante este período devido a qualquer defeito no material e/ou de mão-de-obra, contacte a VONROC directamente.

As seguintes circunstâncias estão excluídas desta garantia:

- Se forem efectuadas ou tentadas quaisquer reparações e/ou alterações na máquina por centros de assistência não autorizados;
- Desgaste normal;
- Se a ferramenta foi utilizada de maneira abusiva, indevida ou a manutenção for efectuada de maneira incorrecta;
- Se forem utilizadas peças sobresselentes não originais.

Isto constitui a única garantia feita pela empresa, de maneira expressa ou implícita. Não existem quaisquer outras garantias expressas ou implícitas que se prolonguem, incluindo as garantias implícitas de comercialização e adequação para fins específicos. A VONROC não será, em nenhuma circunstância, responsável por danos incidentais ou indirectos. Os fornecedores devem estar limitados a reparar ou substituir as unidades ou peças que não estejam em conformidade.

O equipamento e o manual do utilizador estão sujeitos a alterações sem aviso prévio. As especificações podem ser alteradas sem aviso prévio.

1. BIZTONSÁGI UTASÍTÁSOK

Olvassa el az összes mellékelt biztonsági figyelmeztetést. A figyelmeztetések és utasítások be nem tartása áramütéshez, tűz keletkezéséhez vagy akár súlyos személyi sérüléshez vezethet. Őrizze meg a biztonsági figyelmeztetéseket és utasításokat későbbre is.

A használati útmutatóban és a terméken a következő jelölésekkel találkozhat:



Olvassa el a használati útmutatót.



Jelzi a személyi sérülések, az életveszély vagy a szerszám károsodásának veszélyét.



Áramütés veszélye.



Vegyen fel hallásvédő eszközt.



Viseljen védőszemüveget.



Viseljen porvédő álarcot.



Viseljen védőkesztyűt.



Viseljen védőcsizmát.



Esőtől védje.



II. osztályú gép - Dupla szigetelés - Nincs szükség dugóra.



Késleltető miniatűr olvadóbetét.



Max hőmérséklet 45°C.



Az akkumulátort tűzbe dobni tilos.



Az akkumulátort vízbe dobni tilos.



Li-ion akkumulátor szelektív gyűjtése.



A terméket hulladékként ne tegye arra nem alkalmas konténerbe.



A termék megfelel az európai irányelvek releváns biztonsági követelményeinek.



Tisztítás és karbantartás előtt mindig kapcsolja ki a gépet és vegye ki belőle az akkumulátort.



*A garantált hangteljesítményszint
LWA = 96 dB(A)*

AZ ELEKTROMOS SZERSZÁMOKRA VONATKOZÓ ÁLTALÁNOS BIZTONSÁGI FIGYELMEZTETÉSEK



FIGYELMEZTETÉS! Olvasson el minden biztonsági figyelmeztetést és utasítást.

A figyelmeztetések és utasítások be nem tartása áramütést, tüzet és/vagy súlyos sérülést okozhat.

Az összes figyelmeztetést és utasítást őrizze meg, mert később még szüksége lehet rájuk.

A figyelmeztetésekben szereplő „elektromos szerszám” kifejezés az Ön hálózatról működő (vezetékes) elektromos szerszámára vagy akkumulátorral működő (vezeték nélküli) elektromos szerszámára utal.

1) A munkaterület biztonsága

- Gondoskodjon a munkaterület tisztaságáról és megfelelő megvilágításáról.** A rendezetlen és sötét területeken valószínűbb a balesetek előfordulása.
- Ne használjon elektromos szerszámot robbanásveszélyes környezetben (pl. gyúlékony folyadékok, gázok és por jelenlétében).** Elektromos szerszámok használatakor szikra keletkezhet, amely begyűjthetja a port vagy gázokat.
- Az elektromos szerszám használata során a gyermekeket és a közelben tartózkodó személyeket tartsa távol a munkaterülettől.** Ha valami eltereli a figyelmét, elveszítheti az irányítást.

2) Elektromos biztonság

- Az elektromos szerszám dugóinak megfelelőnek kell lenniük az aljzathoz. Soha ne próbálja semmilyen módon módosítani a dugót. Földelt elektromos szerszámokhoz ne használjon semmilyen adapterdugót.** Az eredeti (értsd: módosítás nélküli) dugók és megfelelő hálózati aljzatok használatával mérsékelhető az elektromos áramütés veszélye.
- Testével ne érjen földelt vagy testelt felületekhez, például csövekhez, radiátorokhoz, tűzhelyekhez vagy hűtőszekrényekhez.** Ha teste

- földelődik vagy testelődik, megnő az áramütés kockázata.
- c) **Óvja az elektromos szerszámokat az esőtől és nedves környezettől.** Ha víz kerül az elektromos szerszámba, nagyobb az áramütés veszélye.
- d) **Ne használja helytelenül (nem előírászerűen) a kábelt. A kábelt soha ne használja az elektromos szerszám hordozására, húzására vagy az aljzattól történő kihúzására. A kábelt tartsa távol hőforrásoktól, olajtól, hegyes élektől és mozgó alkatrészekről.** A sérült vagy megtekeredett kábelek növelik az elektromos áramütés veszélyét.
- e) **Az elektromos szerszám kültéri használata esetén kültéri használatra alkalmas hosszabító kábelt használjon.** A kültéri használatra alkalmas kábel használatával mérsékelhető az elektromos áramütés veszélye.
- f) **Ha az elektromos szerszámot mindenképpen nedves környezetben kell használni, akkor használjon áramvédő kapcsolóval (RCD) ellátott tápforrást.** Az áramvédő kapcsolóval ellátott tápforrás használatával mérsékelhető az elektromos áramütés veszélye.
- 3) Személyi biztonság**
- a) **Az elektromos szerszám használata során maradjon éber, koncentráljon az éppen végzett műveletre és használja a józan ítélőképességét. Ha fáradt, vagy ha kábítószert, alkohol vagy gyógyszer hatása alatt áll, ne használjon elektromos szerszámot.** Az elektromos szerszámok használata közben egyetlen pillanatnyi figyelmetlenség is súlyos személyi sérülést okozhat.
- b) **Használjon egyéni védőeszközöket. Mindig viseljen szemvédő felszerelést.** A megfelelő körülményekhez való védőeszközökkel (például pormaszkkal, csúszásgátló biztonsági cipővel, munkavédelmi sisakkal vagy hallásvédő eszközzel) csökkenthető a személyi sérülések kockázata.
- c) **Gondoskodjon a gép véletlen elindulásának a megelőzéséről. A szerszám tápforráshoz és/vagy akkumulátorcsomaghoz történő csatlakoztatása, kézbevétele vagy hordozása előtt győződjön meg róla, hogy a kapcsoló OFF (kikapcs.) állásban van.** Ha úgy hordozza az elektromos szerszámot, hogy az ujjá a kapcsolón van, vagy úgy helyezi feszültség alá az elektromos szerszámot, hogy a kapcsolója ON (bekapcs.) helyzetben van, ez növeli a balesetek kockázatát.
- d) **Az elektromos szerszám bekapcsolása előtt távolítsa el a csavarkulcsokat vagy beállító kulcsokat.** Az elektromos szerszám forgó alkatrészein felejtett csavarkulcs vagy beállító kulcs személyi sérülést okozhat.
- e) **Ne próbáljon túlnyújtózva vagy kitekeredett testhelyzetben dolgozni. Mindig két lábbal, egyensúlyát megtartva álljon a talajon.** Így könnyebben tudja irányítani az elektromos szerszámot a váratlan helyzetekben.
- f) **Megfelelő öltözködést viseljen. Ne viseljen laza ruhát vagy ékszert. Haját, ruháját és kesztyűjét tartsa távol a mozgó alkatrészekről.** A mozgó alkatrészek behúzhatják a ruhákat, az ékszereket és a hosszú haját.
- g) **Ha rendelkezésre állnak a porszivó és -gyűjtő rendszerek csatlakoztatására szolgáló eszközök, csatlakoztassa ezeket az eszközöket és használja őket megfelelően.** A porgyűjtő rendszerek használatával csökkenthetők a porral kapcsolatos veszélyek.
- h) **Ne engedje, hogy a szerszámok gyakori használata során szerzett tapasztalatai túlzott biztonságérzetet keltsenek Önben, és amiatt elhanyagolja a biztonsági alapelveket.** A gondatlan cselekvés már a másodperc törtrésze alatt is súlyos sérülést okozhat.
- 4) Az elektromos szerszám használata és gondozása**
- a) **Az elektromos szerszámot tilos túlzott erő-kifejtéssel használni. Az alkalmazási célnak megfelelő elektromos szerszámot használjon.** A megfelelő elektromos szerszám biztonságosabban és hatékonyabban végzi a munkát azon a fordulatszámon, amire azt tervezték.
- b) **Ne használja az elektromos szerszámot, ha az nem kapcsolható be/ki a főkapcsolóval.** Bár mely elektromos szerszám használata, amely nem irányítható megfelelően az indítókapcsolóval, nagyon veszélyes, ezért azonnal meg kell javíttatni a kapcsolót, ha sérült vagy nem működőképes.
- c) **Válassza le a dugót a tápforrásról és/vagy az akkumulátorcsomagot az elektromos szerszámról, mielőtt bármilyen módosítást végez, tartozékot cserél vagy eltávolítja az elektromos szerszámot.** Ezekkel a megelőző biztonsági intézkedésekkel csökkenthető az elektromos szerszám véletlen elindulásának a kockázata.

- d) Az éppen nem használt elektromos szerszámokat olyan helyen tárolja, ahol a gyermekek nem férhetnek hozzájuk, és ne engedje, hogy olyan személyek használják az elektromos szerszámot, akik nem ismerik az elektromos szerszámot és ezeket az utasításokat. Az elektromos szerszám rendkívül veszélyes lehet szakképzetlen felhasználók kezeiben.
- e) **Tartsa karban az elektromos szerszámot. Ellenőrizze, hogy a mozgó alkatrészek nem állítódtak-e el vagy nem szorulnak-e, nincsenek-e a szerszámon törött alkatrészek, és nem állnak-e fenn olyan körülmények, amelyek befolyásolhatják a szerszám működését. Ha az elektromos szerszám sérült, használat előtt javíttassa meg.** A nem megfelelően karbantartott elektromos szerszámok számos balesetet okoznak.
- f) **Tartsa élesen és tisztán a vágószerszámokat.** A megfelelően karbantartott, éles vágószerszámok beszorulásának kisebb a valószínűsége, ráadásul könnyebben irányíthatók.
- g) **Az elektromos szerszámot, a tartozékokat és a szerszámszárakat stb. a jelen utasításoknak megfelelően használja, a munkakörülmények és az elvégzendő feladat figyelembevételével.** Ha az elektromos szerszámot a rendeltetési céljától eltérően használják, ez veszélyhelyzetet teremthet.
- h) **Tartsa a fogantyúkat és egyéb markolási felületeket szárazon, tisztán, olajtól és zsírtól mentesen.** Váratlan helyzetekben a csúszós fogantyúk és egyéb markolási felületek akadályozzák a szerszám biztonságos kezelését és irányítását.
- 5) **Az akkumulátoros szerszám használata és gondozása**
- a) **Újratöltéshez csak a gyártó által megjelölt töltőt használja.** Az a töltő, amely alkalmas egy bizonyos típusú akkumulátor töltésére, másik típusú akkumulátornál tűzveszélyt okozhat.
- b) **Csak a kifejezetten hozzájuk készült akkumulátorral használja az elektromos szerszámokat.** Bármilyen másfajta akkumulátor használata tűz- és balesetveszélyt idézhet elő.
- c) **Amikor az akkumulátor nincs használatban, óvja olyan más fém tárgyaktól, mint a gémkapocs, a pénzérme, kulcs, szög, csavar és más kis fém tárgyak, amely a két kapcsot össze képes kötni.** Az akkumulátor kapcsok rövidre zárása égési sérülést vagy tüzet okozhat.
- d) **Agresszív körülmények között az akkumulátorból folyadék kerülhet ki; kerülje a vele való érintkezést. Ha véletlenül mégis a bőrre kerül, vízzel öblítse le. Ha a folyadék szembe kerül, forduljon orvoshoz is.** Az akkumulátorból származó folyadék bőrizgató hatású, égési sérülést is okozhat.
- e) **Sérült vagy átalakított akkucsomagot és szerszámot ne használjon.** A sérült vagy átalakított akkumulátorok kiszámíthatatlanul viselkedhetnek, tüzet, robbanást vagy sérülést okozhatnak.
- f) **Tűztől és szélsőséges hőmérséklettől óvja az akkucsomagot és a szerszámot.** Ha tűznek vagy 130 °C-on felüli hőmérsékletnek teszi ki, robbanást okozhat. MEGJEGYZÉS: a „130 °C” „265 °F”-nak (Fahrenheit foknak) felel meg.
- g) **Tartsa be a töltésre vonatkozó összes útmutatást, és ne töltsse se az akkucsomagot se a szerszámot a kezelési útmutatóban megadott tartományon kívül eső hőmérséklet mellett.** Nem megfelelő vagy a megadott tartományon kívüli hőmérséklet mellett történő töltés károsíthatja az akkumulátort, és tűzveszéllyel jár.

6) Szerviz

- a) **Az elektromos szerszámot képzett javító szakemberrel javíttassa, csakis az eredetivel azonos pótalkatrészeket használjon fel.** Ezzel biztosítja az elektromos szerszám folyamatosan biztonságos működését.
- b) **Sérült akkucsomagot soha ne szervizeljen.** Akkucsomagok szervizelését csak a gyártó vagy annak megbízott szolgáltatója végezheti.

KIEGÉSZÍTŐ BIZTONSÁGI UTASÍTÁSOK A VEZETÉK NÉLKÜLI FŰKASZÁHOZ

- Soha ne engedje, hogy gyermekek vagy a jelen használati utasítást nem ismerő személyek használják a jelen terméket. A gépkezelő életkorára vonatkozóan a helyi szabályozások is fogalmazhatnak meg korlátozásokat. Amikor a jelen terméket nem használják, azt gyermekektől elzárt helyen tárolják.
- Soha ne használja a terméket, ha a védőelemei hiányoznak, megsérültek vagy nincsenek felszerelve a helyükre.
- Ha a gép nekiütődött valaminek, akkor az újbóli használat előtt ellenőrizze az esetleges kopás vagy sérülés jeleit, és szükség szerint javítsa meg a gépet.
- Soha ne használja a terméket, ha fáradt, illetve

alkohol, kábítószer vagy gyógyszer befolyása alatt áll.

- Minden esetben viseljen hosszú és masszív nadrágot, csizmát és kesztyűt. Ne viseljen bő ruhát, ékszert, rövidnadrágot, szandált, és soha ne dolgozzon mezítláb.
- A gép használata során viseljen szemvédő és fülvédő eszközt.
- Stabílan álljon, és mindig őrizze meg az egyensúlyát. Ne próbáljon túlnyújtózva vagy kitekeredett testhelyzetben dolgozni.
- Soha ne dolgozzon a jelen termékekkel, ha a közelben emberek, különösen, ha gyermekek állnak vagy állatok vannak a közelben.
- Várja meg, amíg a damilfej szála teljesen megáll, és csak utána nyúljon hozzá. A damilfej szála a termék kikapcsolását követően továbbra is forog, a forgó damil pedig sérülést okozhat.
- Kizárólag fényes nappal vagy megfelelő mesterseges fényben dolgozzon
- Ne használja a terméket kedvezőtlen időjárás esetén, különösen, ha villámlás várható.
- Ha nedves fűben használja a terméket, csökken a hatékonysága.
- Miközben a terméket a munkavégzés helyére szállítja vagy onnan elszállítja, a termék legyen kikapcsolva.
- A motort csak akkor kapcsolja be, amikor a kezei és a lábai a vágóeszközöktől távol vannak.
- Se kézzel, se lábbal ne nyúljon a vágórendszer közelébe.
- A damilfej cseréje előtt távolítsa el az akkumulátort.
- Soha ne szereljen fém vágóelemeket erre a termékre.
- Rendszeresen vizsgálja át és tartsa karban a terméket.
- A terméket kizárólag hivatalos szervizcéggel szervizeltesse.
- Mindig ügyeljen rá, hogy a szellőzőnyílásokban ne legyenek törmelékek.
- Távolítsa el az akkumulátort:
 - *ha bármilyen rövid időre is felügyelet nélkül hagyja a gépet;*
 - *mielőtt kicseréli a damilt;*
 - *mielőtt megtisztítja a terméket vagy dolgozni kezd rajta.*
- A gépet biztonságos, száraz helyen tárolja, ahol gyermekek nem férhetnek hozzá. Ne tegyen semmilyen tárgyat a gép tetejére.
- Ne használja úgy a gépet, hogy nincs rá felszerelve a damiltartozék.

AZ AKKUMULÁTORRAL KAPCSOLATOS BIZTONSÁGI FIGYELMEZTETÉSEK

- a) **Ne bontsa szét az akkumulátort.** Rövidzárlat veszélye.
- b) **Hőbehátástól védje az akkumulátort, pl. ne tegye ki folyamatos erős napsugárzásnak, tűztől, víztől és más nedvességtől is védje.** Robbanásveszély.
- c) **Ha az akkumulátor sérült, vagy rendellenesen használják, gőzök áramolhatnak belőle. Szelőztesse át a munkaterületet, és ha egészségügyi panaszai vannak, kérjen orvosi segítséget.**
A gőzök irritálhatják a légutakat.
- d) **Az akkumulátort csak az Ön Vonroc-termékéhez használja.** Ezzel az intézkedéssel veszélyes túlterheléstől védi az akkumulátort.
- e) **Az akkumulátor megsérülhet, ha a külsejét hegyes tárggyal (pl. szeggel, csavarhúzóval) vagy erőszakosan manipulálják.** Belső rövidzárlat következhet be, amittől az akkumulátor leéghet, füstölhet, robbanhat vagy túlmelegedhet.

A TÖLTŐVEL KAPCSOLATOS BIZTONSÁGI FIGYELMEZTETÉSEK

Rendeltetésszerű használat

A töltővel kizárólag CD801AA és CD803AA típusú újratölthető akkumulátorcsomagokat töltsön fel. Másfajta akkumulátorok használata személyi sérülést és károkat okozhat.

- a) **A villamos készüléket csökkent fizikai, érzékszervi vagy szellemi képességű személyek (gyermekeket is ideértve) vagy tapasztalat, ismeret híján csak felügyelet vagy útmutatás mellett használhatják.**
- b) **Figyelni kell, nehogy a gyerekek játszanak a készülékekkel.**
- c) **Nem újratölthető elemek újratöltésével próbálkozni tilos!**
- d) **Az akkumulátorok töltését jól szellőző helyen kell végezni!**

2. GÉPINFORMÁCIÓK

Rendeltetésszerű használat

A fűkaszát fű és gyom nyírására tervezték. Bokrok alatt és lejtős területeken is használható. A fűkasza ideális az olyan szélek nyírására, amiket a fűnyíróval nem lehet elérni.

A rendeltetésszerű használat egyik feltétele, hogy a terméket 0 °C és 45 °C közötti környezeti hőmérsékleten használják. Ne használja ezt a gépet esőben.

MŰSZAKI ADATOK



Ez az útmutató különböző készülétekhez / cikkszámokhoz készült. A készlet megfelelő összetételéhez és tartalmához ellenőrizze a műszaki adatokat tartalmazó lenti táblázat vonatkozó cikkszámát.

Modellazonosító	Akkumulátorok a csomagban	Töltők a csomagban
GT501DC	-	-
S_GT501DC	CD801AA	CD802AA
S2_GT501DC	2 x CD801AA	CD802AA
S3_GT501DC	CD803AA	CD802AA

A gép adatai	
Feszültség	20 V
Teleszkópos rúd	420–700 mm
A rúd szögének a beállítása	0° – 90°
Fejállítás	0° – 90°
Üresjárat fordulatszám	8000/perc
Vágási átmérő	250 mm
Vágórendszer	2-szálás damilfej, Tap and Go koppintásos adagolás, Ø 1,2 mm x 8 m
Súly (akkumulátor nélkül)	2,1 kg
Hangnyomásszint LPA	71,2 dB(A) K=3 dB(A)
Hangteljesítményszint LWA	88,2 dB(A) K=3 dB(A)
Rezgési érték	6,918 m/s ² K=1,5 m/s ²

Modellazonosító	CD801AA
Akkumulátor típusa	Lítium-ion
Feszültség	20 V
Kapacitás	2,0 Ah
Ajánlott töltő	CD802AA
Súly	0,3 kg

Modellazonosító	CD802AA
A töltő bemenete	220–240V, 50 Hz 0,4 A
A töltő kimenete	21 V 2,5 A
2 Ah-s akkumulátor töltési ideje	60 perc
4 Ah-s akkumulátor töltési ideje	120 perc

Modellazonosító	CD802AA
Ajánlott akkumulátorok	CD801AA, CD803AA
Súly	0,36 kg

Modellazonosító	CD803AA
Akkumulátor típusa	Lítium-ion
Feszültség	20 V
Kapacitás	4,0 Ah
Ajánlott töltő	CD802AA
Súly	0,65 kg

Garantált érték a zajról szóló irányelv szerint: LwA 96db(A)

VONROC VPOWER 20 V akkumulátorplatformból csak a következő akkumulátorokat használja. Más akkumulátor használata súlyos sérüléshez és a szerszám károsodásához vezethet.

CD801AA 20 V, 2 Ah lítium-ion
CD803AA 20 V, 4 Ah lítium-ion

Ezek az akkumulátorok az alábbi töltővel tölthetők.
CD802AA Gyorstöltő

A VONROC VPOWER 20 V platform akkumulátorai csereszabatosak minden VONROC VPOWER 20V akkumulátorplatform-szerszámmal.

Rezgés értékek

A használati útmutatóban megadott rezgésbocsátási értékek mérése az EN 50636-2-91 szabvány szerinti egységesített eljárással történt; az értékek használhatók gépek összehasonlítására és a munkavégzés közbeni rezgés terhelés előzetes megbecslésére az adott alkalmazási területen.

- Ha a szerszámot más célra vagy más vagy nem megfelelően karbantartott tartozékkal használják, a kitettségi szint jelentősen megnövekedhet.
- Azok az időtartamok, amely alatt a szerszám ki van kapcsolva, vagy be van ugyan kapcsolva, de üresjáratban van, jelentősen csökkenthetik a kitettségi szintet.

Védje magát a rezgés hatásától, tartsa karban a gépet és a tartozékokat, melegítsen be és szervezze meg okosan a munkáját.

LEÍRÁS

A szövegbeli számok a 2-5 oldal képeire utalnak.

1. Akkumulátor
2. Akkumulátor kioldó gomb
3. Akkumulátor töltés jelző
4. Töltő
5. Töltésjelző LED-ek
6. Főkapcsoló
7. Biztonsági kapcsoló
8. Elülső fogantyú
9. Az elülső fogantyú gombja
10. Védőburkolat
11. Csavar
12. Védőburkolatsín
13. Oldalsó kerék
14. Az oldalsó kerék tartója
15. A damilfej burkolata
16. A damilfej orsója
17. A damilfej rugója
18. A damilfej háza
19. A damilfej orsójának a hegye
20. A vágófej állítógombja
21. A vágófej állítógyűrűje
22. Alsó állítógyűrű
23. Felső tengely
24. Alsó tengely
25. Akkumulátor LED-jelzőlámpák gomb

3. ÖSSZESZERELÉS



Az elektromos szerszámon végzett bármilyen munka előtt távolítsa el az akkumulátort.



Figyelmeztetés! Ne használja a fűkasztát a védőburkolat nélkül.



A gépet első használat előtt először fel kell tölteni.

Az akkumulátor behelyezése a gépbe (C1 ábra)



A töltőre vagy a gépre csatlakoztatás előtt gondoskodjon róla, hogy az akkumulátor külseje tiszta és száraz legyen.

1. Tegye az akkumulátort (1) a gép talpába a C1 ábrán látható módon.
2. Kattanásig nyomja az akkumulátort a helyére.

Az akkumulátor kivétele a gépből (C1 ábra)

1. Nyomja meg az akkumulátor kioldó gombját (2).

2. Húzza ki az akkumulátort a gépből a C1 ábrán látható módon.

Az akkumulátor töltési állapotának ellenőrzése (C2 ábra)

- A töltöttségi szint ellenőrzéséhez nyomja meg röviden a gombot (25).
- Az akkumulátor 3 lámpával mutatja a töltési szintet, minél több világít, annál több töltése van még az akkumulátornak.
- Ha a lámpák nem világítanak, az akkumulátor lemerült, azonnal tölteni kell.

Az akkumulátor töltése a töltővel (C2 ábra)

1. Vegye ki a gépből az akkumulátort (1).
2. Fordítsa fejjel lefelé az akkumulátort (1) és csúsztassa a töltőre (4) a C2 ábrán látható módon.
3. Nyomja be egészen az akkumulátort a nyílásba.
4. Dugja a töltő dugót villamos aljzatba és várjon. A gépen a LED jelzők (5) világítani kezdenek és jelzik a töltő állapotát.

A töltőn 2 LED jelzőlámpa (5) van, amelyek mutatják a töltési folyamatot:

Piros LED állapot	Zöld LED állapot	Töltés állapot
Nem világít	Nem világít	Nincs áramellátás
Nem világít	Világít	Készenlét mód: - Nincs behelyezve akkumulátor vagy - Akkumulátor behelyezve, de a töltés befejeződött
Világít	Nem világít	Akkumulátor töltődik

- A 2 Ah-s akkumulátor teljes feltöltése 60 percet vesz igénybe.
- A 4 Ah-s akkumulátor teljes feltöltése 120 percet vesz igénybe.

Az akkumulátor teljes feltöltése után húzza ki a töltődugót az aljzataból és vegye ki az akkumulátort a töltőből.



Ha a gépet hosszabb ideig nem használja, akkor az a legjobb, ha az akkumulátort feltöltött állapotban eltárolja.

A védőburkolat felszerelése (B1 ábra)

- Helyezze fel a védőburkolatot (10) a vágófej házára.

- Rögzítse a védőburkolatot a mellékelt csavarral (11).

A védőburkolatsín felszerelése (B2 ábra)

- Nyomja össze a védőburkolatsín (12) végeit, majd csúsztassa be őket a vágófej házán található furatokba
- A védőburkolatsín különböző védőtávolságokba állítható be. A sín beállításához egyszerűen csak nyomja be vagy húzza ki a sánt.

Az elülső fogantyú felszerelése (D1 ábra)

- Tegye a fogantyút (8) a felső tengelyre szerelt tartóra.
- Helyezze be a csavart a hatlapú furatba, majd szerelje fel a gombot (9) a csavarra.

Az elülső fogantyú beállítása (D2 ábra)

- Csavarja ki kissé a gombot (9), majd tolja vagy húzza az elülső fogantyút (8) a kívánt pozícióba. Lefelé vagy felfelé is mozgathatja, valamint a felső tengely körül el is forgathatja.




Ha oldalirányban használja a gépet, mindig használja az oldalsó kereket.

Az oldalsó kerék felszerelése („E” ábra)

- Csúsztassa az oldalsó kereket (13) az oldalsó kerék tartójára (14).

A damilfej felszerelése (F1 ábra)

 *A damilfej visszahelyezése előtt tisztítsa le a gépről az esetlegesen rajta lévő koszt.*

- Tegye a rugót (17) a damilfej házába (18). Ügyeljen rá, hogy a rugónak a szélesebb oldalát helyezze a vágófejre.
- Tegye a damilfej orsóját (16) a rugóra (17). Vezesse át a damilokat a ház (18) belsejében található furatokon. (F2 ábra)
- Tegye rá a damilfej burkolatát (15) a damilfej orsójára, majd a rögzítéshez húzza meg feszesre a damilfej burkolatát.

A damilfej cseréje (F1 ábra)

- Távolítsa el a damilfej burkolatát (15).
- Vegye ki a damilfej orsóját (16), de a rugót (17) hagyja benn.
- Fogja meg az új damilfejorsót (GT801AA), majd helyezze a rugóra (17). Vezesse át a damilokat a ház (18) belsejében található furatokon. (F2 ábra)

- Tegye rá a damilfej burkolatát (15) az új damilfejorsóra, majd a rögzítéshez húzza meg feszesre a damilfej burkolatát.

4. KEZELÉS

A Tap and Go koppintásos adagolórendszer használata (G ábra)

- Ha a damil túl rövid, kapcsolja be a gépet, majd nyomja a damilfejorsó hegyét (19) a talajhoz (ezt kemény felületen tegye).
- Ilyenkor a rendszer hosszabbra engedi a damilt.
- A védőburkolatra (10) szerelt penge automatikusan a megfelelő hosszúságúra vágja a damilt.

A vágófej megdöntése (H ábra)



Kérjük, hogy tartsa kikapcsolva a gépet, és válassza le az akkumulátort.

- Nyomja meg a vágófej gombját (20), hogy a kívánt pozícióba dönthesse a fejet.
- A gomb elengedésekor a fej egy kattánós hang kíséretében rögzül a kiválasztott pozícióban.

A vágófej elfordítása (I ábra)

- Nyomja lefelé a gyűrűt (21) a vágófej felé, hogy a kívánt pozícióba forgathassa a fejet.
- A gyűrű elengedésekor a fej egy kattánós hang kíséretében rögzül a kiválasztott pozícióban.

A rúdmagasság beállítása (J ábra)

- A gép magasságának a beállításához lazítsa meg az alsó állítógyűrűt (22).
- Óvatosan tolja lefelé vagy felfelé az alsó tengelyt (24) a felső tengelytől (23).
- Rögzítse az alsó állítógyűrűt (22) a gépnek a kiválasztott magasságban történő rögzítéséhez.

A fúkasza használata



A használat előtt mindig ellenőrizze szemrevételezéssel a gépet, hogy az alkatrészei megfelelően vannak-e felszerelve, valamint hogy nem kopottak vagy sérültek-e.

- Saját biztonsága és a legjobb eredmények elérése érdekében olvassa el a következő felhasználói tanácsokat, és ne használja ezt a terméket a rendeltetési céljától eltérő célra.
- Ezt a fúkaszt fű nyírására tervezték. Minden egyéb használat, amely nincs kifejezetten

engedélyezve ebben a kézikönyvben, a fűkasza károsodásához vagy a felhasználó sérüléséhez vezethet.

Biztonsági funkciók

- A védőburkolaton található egy kés, amely a megfelelő hosszúságúra vágja a damilt. A személyi sérülés esélyének csökkentése érdekében ne érintse meg a kést.
- A motor indításához a főkapcsolót (6) és a biztonsági kapcsolót (7) együttesen kell használni. A szerszámot úgy tervezték, hogy ha a két kapcsolót bármelyikét elengedik, akkor a szerszám gyorsan leáll.

Bekapcsolás és kikapcsolás

- A termék bekapcsolásához nyomja meg egyszerre a biztonsági kapcsolót (7) és az indítási főkapcsolót (6).
- A kikapcsoláshoz engedje el az egyik vagy mindkét kapcsolót.

5. KARBANTARTÁS



Tisztítás és karbantartás előtt mindig kapcsolja ki a gépet és vegye ki belőle az akkumulátort.

A gép burkolatát rendszeresen, lehetőleg minden használat után törölje át puha ronggyal. Ügyeljen arra, hogy a szellőzőnyílások portól és piszoktól mentesek legyenek. Makacs szennyeződésekhez használjon szappanos vízzel átitatott ruhát. Oldószert, benzint, alkoholt, ammóniát stb. ne használjon. Ezek a vegyszerek kárt tesznek a szintetikus részekben.

KÖRNYEZETVÉDELEM



A hibás vagy már feleslegessé vált elektromos, elektronikus készülékeket az ezzel foglalkozó gyűjtőpontokon kell leadni.

Csak EU országokban

Elektromos szerszámokat ne dobjon a háztartási hulladékba. Az elektromos és elektronikai hulladékokra vonatkozó, 2012/19/EU európai irányelv és annak a nemzeti törvénykezésbe történő átültetése értelmében az elhasznált elektromos készülékeket külön kell gyűjteni és környezetbarát módon kell kiselejtezni.

JÓTÁLLÁS

A VONROC termékei a legmagasabb minőségi normák szerint készülnek, és az eredeti vásárlás napjától számított, törvényileg előírt időtartamig garantáljuk, hogy anyag- és gyártási hibáktól mentesen fognak működni. Ha a termékben ezen időszak alatt bármilyen hiba jelentkezik anyag- és/vagy gyártási hiba miatt, kérjük, forduljon közvetlenül az Ön VONROC kapcsolattartójához.

A szavatosság nem érvényes a következő körülmények egyikére sem:

- Nem hivatalos szervizközpontok javítást vagy módosítást végeztek (vagy megkíséreltek javítást vagy módosítást végezni) a gépen.
- Normál elhasználódás és kopás.
- A szerszámot erőszakosan vagy nem rendeltetésszerűen használták, vagy a karbantartása nem volt megfelelő.
- Nem eredeti pótalkatrészeket használtak.

A jelen garancia a vállalat által (akár kifejezetten, akár hallgatólagosan) biztosított kizárólagos garancia. Nem léteznek olyan egyéb garanciák (sem kifejezett, sem hallgatólagos garanciák, beleértve az értékesíthetőségre és az adott célra való alkalmasságra vonatkozó hallgatólagos garanciákat is), amelyek a jelen garancia hatókörén túlmutatnak. A VONROC semmilyen esetben sem felelős semmilyen járulékos vagy következményes kárért. A forgalmazók jogorvoslati teendői az előírásoknak nem megfelelő egységek vagy alkatrészek javítására és cseréjére korlátozódnak.

A termék és a használati útmutató változtatásának jogát fenntartjuk. A műszaki adatok előzetes bejelentés nélkül változhatnak.

1. BEZPEČNOSTNÍ POKYNY

Přečtěte si přiložené bezpečnostní výstrahy, dodatečné bezpečnostní výstrahy a bezpečnostní pokyny. Nebudete-li dodržovat tyto bezpečnostní výstrahy a pokyny, může dojít k úrazu elektrickým proudem, k vzniku požáru nebo k vážnému zranění. Ušchovejte tyto bezpečnostní výstrahy a pokyny pro budoucí použití.

V tomto návodu k obsluze a na tomto výrobku jsou použity následující symboly:



Přečtěte si návod k obsluze.



Upozorňuje na riziko zranění osob, ztráty života nebo poškození zařízení, nebudou-li dodržovány pokyny uvedené v tomto návodu.



Nebezpečí úrazu elektrickým proudem.



Používejte ochranu sluchu.



Používejte ochranu zraku.



Používejte masku proti prachu.



Používejte ochranné rukavice.



Používejte ochrannou obuv.



Nevystavujte dešti.



Stroj třídy II – Dvojitá izolace – Nemusí být použit uzemňovací vodič.



Miniaturní pomalá pojistka s tavnou vložkou.



Maximální teplota 45 °C.



Nevhazujte akumulátor do ohně.



Nevhazujte akumulátor do vody.



Použijte tříděný odpad pro akumulátory Li-Ion.



Nelikvidujte tento výrobek do nevhodného kontejneru.



Tento výrobek je vyroben v souladu s platnými bezpečnostními normami, které jsou uvedeny ve směrnících EU.



Před čištěním a prováděním údržby vždy stroj vypněte a vyjměte z něj akumulátor.



Garantovaná hladina akustického výkonu LWA = 96 dB(A)

OBEČNÉ BEZPEČNOSTNÍ VÝSTRAHY TÝKAJÍCÍ SE ELEKTRICKÉHO NÁŘADÍ



VAROVÁNÍ! Přečtěte si všechny bezpečnostní výstrahy a všechny pokyny.

Nebudete-li dodržovat tyto bezpečnostní výstrahy a pokyny, může dojít k úrazu elektrickým proudem, ke vzniku požáru nebo k vážnému zranění.

Ušchovejte všechny bezpečnostní výstrahy a pokyny pro budoucí použití.

Pojem elektrické nářadí v těchto varováních odkazuje na elektrické nářadí napájené z elektrické sítě (s napájecím kabelem) nebo z akumulátoru (bez napájecího kabelu).

1) Bezpečnost pracovního prostoru

- a) **Udržujte čistotu na pracovišti a zajistěte jeho řádné osvětlení.** Neuklizená nebo tmavá místa přivolávají nehody.
- b) **Nepoužívejte elektrická nářadí ve výbušných prostředích, jako jsou místa, kde se vyskytují hořlavé kapaliny, plyny nebo prašné látky.** V elektrickém nářadí dochází k jiskření, které může způsobit vznícení prachu nebo výparů.
- c) **Při práci s tímto elektrickým nářadím udržujte děti a okolo stojící osoby v bezpečné vzdálenosti.** Rozptylování může způsobit ztrátu kontroly nad nářadím.

2) Elektrická bezpečnost

- a) **Zástrčka napájecího kabelu nářadí musí odpovídat zásuvce. Zástrčku nikdy žádným způsobem neupravujte. Nepoužívejte u uzemněného elektrického nářadí žádné adaptéry zástrček.** Neupravené zástrčky a odpovídající zásuvky sníží riziko úrazu elektrickým proudem.
- b) **Vyvarujte se kontaktu těla s uzemněnými povrchy, jako jsou potrubí, radiátory, trouby a ledničky.** Dojde-li k uzemnění vašeho těla, hrozí zvýšené riziko způsobení úrazu elektrickým proudem.

- c) **Nevystavujte elektrické nářadí dešti ani vlhkému prostředí.** Dostane-li se do elektrického nářadí voda, zvýší se riziko úrazu elektrickým proudem.
- d) **Nezacházejte špatně s napájecím kabelem. Nikdy nepoužívejte napájecí kabel pro přenášení nebo tahání elektrického nářadí ani netahejte za tento kabel při vypořádání zástrčky ze zásuvky. Dbejte na to, aby tento kabel nepřecházel přes horké a mastné povrchy ani přes ostré hrany a aby se nedostal do kontaktu s pohyblivými se díly.** Poškozené nebo zamotané kabely zvyšují riziko úrazu elektrickým proudem.
- e) **Používáte-li elektrické nářadí venku, používejte prodlužovací kabel vhodný pro venkovní použití.** Použití prodlužovacího kabelu pro venkovní použití snižuje riziko úrazu elektrickým proudem.
- f) **Musíte-li používat toto elektrické nářadí ve vlhkém prostředí, používejte v elektrickém obvodu proudový chránič (RCD).** Použití proudového chrániče (RCD) snižuje riziko úrazu elektrickým proudem.

3) Bezpečnost osob

- a) **Při práci s tímto elektrickým nářadím buďte stále pozorní, sledujte, co provádíte a použijte zdravý rozum. Nepoužívejte elektrické nářadí, jste-li unavení nebo jste-li pod vlivem drog, alkoholu nebo léků.** Nepozornost při práci s elektrickým nářadím může způsobit velmi nebezpečná zranění.
- b) **Vždy používejte osobní ochranné prostředky. Vždy používejte ochranu zraku.** Ochranné prostředky, jako jsou maska proti prachu, neklouzavá pracovní ochranná obuv, pevná přilba nebo chrániče sluchu, které jsou používány v příslušných podmínkách, zmenšují riziko způsobení zranění osob.
- c) **Zabraňte náhodnému spuštění nářadí. Před připojením elektrického nářadí k napájecímu zdroji nebo před vložením akumulátoru do nářadí, před zvednutím nářadí nebo před jeho přenášením se ujistěte, zda je spínač nářadí v poloze vypnuto.** Přenášení elektrického nářadí s prstem na spouštěcím spínači nebo připojení elektrického nářadí ke zdroji elektrické energie, je-li spouštěcí spínač v poloze zapnuto, zvyšuje pravděpodobnost vzniku nehod.
- d) **Před zapnutím elektrického nářadí vždy odstraňte všechny klíče a seřizovací přípravky.** Klíče nebo seřizovací přípravky ponechané na

rotující části elektrického nářadí mohou způsobit zranění osob.

- e) **Nepřeceňujte své síly. Vždy udržujte správnou postoj a rovnováhu.** Tak si zachováte lepší kontrolu nad nářadím v neočekávaných situacích.
- f) **Vhodně se oblékejte. Nenoste volný oděv ani šperky. Udržujte vlasy, oblečení a rukavice v bezpečné vzdálenosti od všech pohyblivých částí.** Volný oděv, šperky nebo dlouhé vlasy mohou být zachyceny pohyblivými se díly.
- g) **Jsou-li zařízení vybavena adaptérem pro připojení odsávacího systému, ujistěte se, zda je odsávací zařízení správně připojeno a zda správně vykonává svoji funkci.** Použití odsávání prachu může snížit rizika spojená prací v prašném prostředí.
- h) **Nedovolte, aby jistota získaná častým používáním nářadí vedla ke snížení vaší pozornosti a ignorování zásad bezpečné práce s nářadím.** Chvilková nepozornost může během zlomku sekundy způsobit vážné zranění.

4) Použití elektrického nářadí a jeho údržba

- a) **Nepřetěžujte elektrické nářadí. Používejte pro prováděnou práci správné elektrické nářadí.** Správné elektrické nářadí provede práci lépe a bezpečněji, je-li použito pro práce, pro které je určeno.
- b) **Nepoužívejte elektrické nářadí, nepracuje-li správně jeho spouštěcí spínač.** Nemůžete-li elektrické nářadí ovládat pomocí spouštěcího spínače, takové nářadí je velmi nebezpečné a musí být opraveno.
- c) **Před prováděním jakéhokoliv seřízení, před výměnou příslušenství nebo před uložením odpojená napájecí kabel nářadí od napájecího zdroje nebo z nářadí vyjměte akumulátor.** Tato preventivní bezpečnostní opatření snižují riziko náhodného spuštění elektrického nářadí.
- d) **Uložte nepoužívané elektrické nářadí mimo dosah dětí a nedovolte osobám, které nejsou obeznámeny s tímto nářadím nebo s těmito pokyny, aby toto elektrické nářadí používaly.** Elektrické nářadí je v rukách neproškolených osob nebezpečné.
- e) **Provádějte údržbu elektrického nářadí. Zkontrolujte nevyrovnání nebo vážnutí pohyblivých částí, poškození součástí a jiné stavy, které by mohly mít vliv na správnou funkci nářadí. Je-li elektrické nářadí poškozeno, zajistěte jeho opravu dříve, než ho použijete.** Mnohé nehody

bývají způsobeny nedostatečnou údržbou elektrického nářadí.

- f) **Udržujte ostré a čisté řezné nástroje.** U správně udržovaných řezných nástrojů s ostrými řeznými břity je menší pravděpodobnost jejich zablokování a lépe se s nimi pracuje.
- g) **Používejte elektrické nářadí, příslušenství, pracovní nástroje atd., podle těchto pokynů a berte v úvahu pracovní podmínky a práci, která bude prováděna.** Použití elektrického nářadí pro operace, pro které není určeno, může vést k nebezpečným situacím.
- h) **Dbejte na to, aby byly rukojeti a úchopné povrchy suché, čisté a zbavené olejů a maziv.** Kluzké rukojeti a úchopné plochy neumožňují bezpečnou manipulaci a ovládání nářadí v neočekávaných situacích.

5) Použití a údržba akumulátorového nářadí

- a) **K nabíjení používejte výhradně nabíječku předepsanou výrobcem.** Nabíječka vhodná pro jeden typ akumulátoru může způsobit požár při vložení jiného, nevhodného typu.
- b) **Používejte elektrické nářadí pouze s předepsanými akumulátory.** Použití jiných typů akumulátoru může způsobit požár nebo zranění.
- c) **Není-li akumulátor používán, uložte jej mimo dosah kovových předmětů, jako jsou kancelářské sponky, mince, klíče, hřebíky, šroubky nebo jiné malé kovové předměty, které mohou způsobit zkratování jeho kontaktů.** Zkratování kontaktů akumulátoru může způsobit popáleniny nebo požár.
- d) **Za nevhodných podmínek může z akumulátoru unikat kapalina. Vyvarujte se kontaktu s touto kapalinou. Dojde-li k náhodnému kontaktu s touto kapalinou, zasažené místo omyjte vodou. Dostane-li se kapalina do očí, ihned si je vypláchněte vodou a vyhledejte lékařskou pomoc.** Unikající kapalina z akumulátoru může způsobit podráždění pokožky nebo popáleniny.
- e) **Nepoužívejte poškozený nebo upravený akumulátor či nářadí.** Poškozené nebo upravené akumulátory se mohou chovat nepředvídatelně, což může způsobit požár, výbuch nebo nebezpečí zranění.
- f) **Nevystavujte akumulátor nebo nářadí ohni ani nadměrným teplotám.** Vystavení účinkům ohně nebo teplot nad 130 °C může způsobit výbuch. POZNÁMKA: Teplota „130 °C“ odpovídá teplotě „265 °F“.

- g) **Dodržujte všechny pokyny pro nabíjení a ne-nabíjejte akumulátor ani nářadí mimo teplotní rozsah předepsaný v těchto pokynech.** Nesprávné nabíjení nebo nabíjení při teplotě mimo specifikovaný rozsah může poškodit akumulátor a zvýšit nebezpečí vzniku požáru.

6) Servis

- a) **Svěřte opravu svého elektrického nářadí pouze osobě s příslušnou kvalifikací, která bude používat výhradně originální náhradní díly.** Tím zajistíte bezpečný provoz tohoto elektrického nářadí.
- b) **Nikdy neopravujte poškozené akumulátorové moduly.** Opravy akumulátorů smí provádět výhradně výrobce nebo technik autorizovaného servisu.

DALŠÍ BEZPEČNOSTNÍ POKYNY TÝKAJÍCÍ SE AKUMULÁTOROVÉ STRUNOVÉ SEKAČKY NA TRÁVU

- Nikdy nedovolte dětem ani osobám, které nejsou seznámeny s těmito pokyny, aby používaly strunovou sekačku. Místní platné předpisy mohou omezovat věk obsluhy. Není-li tato sekačka používána, uložte ji mimo dosah dětí.
- Nikdy nepoužívejte tuto strunovou sekačku, schází-li jí ochranné kryty, jsou-li tyto kryty poškozeny nebo nejsou-li nasazeny na určených místech.
- Před použitím tohoto nářadí a po nárazu na toto nářadí zkontrolujte, zda nedošlo k opotřebenosti nebo poškození a, je-li to nutné, zajistíte opravu.
- Nikdy toto nářadí nepoužívejte, jste-li unavení, nemocní nebo pod vlivem alkoholu nebo drog.
- Vždy používejte dlouhé pracovní kalhoty, boty a rukavice. Nenoste volný oděv, šperky, krátké kalhoty, sandály a nikdy nechoďte bosí.
- Při práci s tímto nářadím používejte ochranu zraku a chrániče sluchu.
- Stále udržujte pevný postoj a rovnováhu. Nepřeceňujte své síly.
- Nikdy nepoužívejte tuto sekačku v blízkosti jiných osob, zejména dětí a domácích zvířat.
- Počkejte, dokud se struna úplně nezastaví, než se jí dotknete. Cívka se strunou pokračuje v otáčení ještě chvíli i po vypnutí sekačky. Rotující struna může způsobit zranění.
- Pracujte pouze za denního světla nebo při kvalitním umělém osvětlení.
- Nepracujte s touto sekačkou za špatného po-

časí, a to zejména v případech, kdy hrozí výskyt blesků.

- Použití této sekačky ve vlhké trávě snižuje její výkon.
- Sekačku vždy vypněte, než ji začnete přenášet na jiné místo.
- Zapínejte motor pouze v případě, máte-li ruce a nohy v bezpečné vzdálenosti od sekacího zařízení.
- Nepřibližujte ruce nebo nohy do blízkosti sekacího systému.
- Před výměnou cívký vyjměte z nářadí akumulátor.
- Nikdy na tuto sekačku nenasazujte kovové sekací nástroje.
- Pravidelně sekačku kontrolujte a provádějte její údržbu.
- Svěřte opravu této sekačky výhradně autorizovanému servisu.
- Vždy se ujistěte, zda nejsou zaneseny nebo zablokovány větrací drážky.
- Vyjměte akumulátor:
 - vždy, když necháváte tento stroj bez dozoru;
 - před výměnou struny;
 - před kontrolou, čištěním nebo prací na sekačce.
- Ukládejte tento stroj na bezpečném a suchém místě mimo dosah dětí. Nepokládejte na tento stroj žádné předměty.
- Nepoužívejte tento stroj bez řádně nasazené struny.

BEZPEČNOSTNÍ VAROVÁNÍ PRO AKUMULÁTORY

- a) **Akumulátor nerozebírejte.** Nebezpečí zkratu.
- b) **Chraňte akumulátor před teplem, např. před nepřetržitým intenzivním slunečním světlem, ohněm, vodou a vlhkostí.** Nebezpečí výbuchu.
- c) **V případě poškození a nesprávného použití akumulátoru se mohou uvolňovat výpary. V případě potíží vyvětrejte místnost a vyhledejte lékařskou pomoc.** Výpary mohou dráždit dýchací ústrojí.
- d) **Používejte tento akumulátor výhradně s výrobkem značky Vonroc.** Toto opatření samo o sobě chrání akumulátor před nebezpečným přetížením.
- e) **Akumulátor může být poškozen ostrými předměty, jako například hřebíky nebo šroubováky, nebo vnější silou.** Může dojít k vnitřnímu zkratu a vznícení, vzniku kouře, výbuchu nebo přehřátí akumulátoru.

BEZPEČNOSTNÍ VAROVÁNÍ PRO NABÍJEČKU Zamýšlené použití

Touto nabíječkou nabíjejte výhradně akumulátorové moduly typu CD801AA a CD803AA. Ostatní typy akumulátorů mohou prasknout a způsobit zranění a poškození.

- a) **Tento výrobek není určen k použití osobami (včetně dětí) se sníženými fyzickými, smyslovými nebo duševními schopnostmi, nebo s nedostatkem zkušeností a znalostí, pokud jim nebyly poskytnuty potřebné instrukce.**
- b) **Děti musí být pod dozorem, aby si s tímto zařízením nehrály.**
- c) **Nenabíjejte baterie, které nejsou k nabíjení určeny!**
- d) **Během nabíjení musí být akumulátory umístěny na dobře větraném místě!**

2. INFORMACE O ZAŘÍZENÍ

Zamýšlené použití

Tato strunová sekačka je určena k sekání trávy a plevelu, pod keři i na svazích. Tato strunová sekačka je ideální pro sekání okrajů trávníků, které nelze posekat běžnou sekačkou.

Tato sekačka je určena pro provoz při teplotě okolního vzduchu od 0 °C do 45 °C. Nepoužívejte tento stroj v dešti.

TECHNICKÉ ÚDAJE




Tato uživatelská příručka platí pro různá čísla zboží / různé sady. V níže uvedené tabulce specifikací si můžete ověřit správný obsah vaší sady podle odpovídajícího čísla.


Model č.	Akumulátory v dodávce	Nabíječky v dodávce
GT501DC	-	-
S_GT501DC	CD801AA	CD802AA
S2_GT501DC	2 x CD801AA	CD802AA
S3_GT501DC	CD803AA	CD802AA


Informace o nářadí

Napětí	20 V
Teleskopická tyč	420-700 mm
Nastavení úhlu tyče	0°-90°

Informace o nářadí	
Nastavení úhlu hlavy	0°-90°
Otáčky naprázdno	8 000 ot./min.
Průměr záběru	250 mm
Sekací systém	Cívka s dvojitou strunou, Tap and go, Ø1,2 mm x 8 m
Hmotnost (bez akumulátoru)	2,1 kg
Akustický tlak LPA	71,2 dB(A) K=3 dB(A)
Akustický výkon LWA	88,2 dB(A) K=3 dB(A)
Hodnota vibrací	6,918 m/s ² K=1,5 m/s ²

Model č.	CD801AA
Typ akumulátoru	Lithium-Ion
Napětí	20 V 
Kapacita	2,0 Ah
Doporučená nabíječka	CD802AA
Hmotnost	0,3 kg

Model č.	CD802AA
Vstup nabíječky	220-240 V, 50 Hz 0,4 A
Výstup nabíječky	21V  2,5 A
Doba nabíjení 2Ah akumulátoru	60 minut
Doba nabíjení 4Ah akumulátoru	120 minut
Doporučené akumulátory	CD801AA, CD803AA
Hmotnost	0,36 kg

Model č.	CD803AA
Typ akumulátoru	Lithium-Ion
Napětí	20 V 
Kapacita	4,0 Ah
Doporučená nabíječka	CD802AA
Hmotnost	0,65 kg

Garantovaná hodnota podle hlukové směrnice: LWA 96db(A)

Používejte pouze následující akumulátory z platformy VONROC VPOWER 20 V. Použití jakýchkoliv jiných akumulátorů může způsobit vážné zranění nebo poškození nářadí.

CD801AA 20V, 2Ah lithium-iontový
CD803AA 20V, 4Ah lithium-iontový

Pro nabíjení těchto akumulátorů se může používat následující nabíječka.

CD802AA Rychlonabíječka

Akumulátory platformy VONROC VPOWER 20V se mohou používat ve všech akumulátorových nářadích platformy VONROC VPOWER 20V.

Vibrace

Deklarovaná úroveň vibrací uvedená v tomto návodu byla měřena v souladu se standardní zkušební metodou předepsanou normou EN 50636-2-91. Tato úroveň vibrací může být použita pro srovnání jednotlivých nářadí mezi sebou a také při předběžném posouzení působících vibrací při používání nářadí při uvedených aplikacích.

- Použití tohoto nářadí pro jiné práce nebo s odlišným nebo špatně udržovaným příslušenstvím může značně zvýšit působení vibrací.
- Doba, kdy je nářadí vypnuto nebo kdy je v chodu, ale aktuálně nevykonává žádnou práci, může působení vibrací značně zmírnit.

Chraňte se před působením vibrací prováděním řádné údržby tohoto nářadí i jeho příslušenství, udržujte ruce v teple a provádějte práci správným způsobem.

POPIS

Čísla v následujícím textu odkazují na obrázky na stranách 2-5.

1. Akumulátor
2. Tlačítko pro uvolnění akumulátoru
3. Indikace stavu nabití akumulátoru
4. Nabíječka
5. LED indikátory nabíječky
6. Vypínač
7. Bezpečnostní spínač
8. Přední rukojeť
9. Upínací šroub přední rukojeti
10. Ochranný kryt
11. Šroub
12. Ochranné vedení
13. Boční kolečko
14. Držák bočního kolečka
15. Kryt cívky
16. Navíjecí cívka
17. Pružina cívky
18. Pouzdro cívky

19. Hrot navíjecí cívky
20. Seřizovací šroub hlavy sekačky
21. Seřizovací kroužek hlavy sekačky
22. Spodní seřizovací kroužek
23. Horní hřídel
24. Spodní hřídel
25. Tlačítko LED indikátorů akumulátoru

3. SESTAVENÍ



Před zahájením jakékoliv práce na elektrickém nářadí vyjměte z tohoto nářadí akumulátor.



Varování! Nepoužívejte tuto strunovou sekačku bez ochranného krytu.



Před prvním použitím musí být nářadí nabito.

Vložení akumulátoru do nářadí (obr. C1)



Před vložením do nabíječky nebo do stroje zkontrolujte, že je povrch akumulátoru čistý a suchý.

1. Zasuňte akumulátor (1) do základny nářadí, jak je zobrazeno na obr. C1.
2. Zatlačte akumulátor až na doraz, aby se řádně zajistil.

Vyjmutí akumulátoru z nářadí (obr. C1)

1. Stiskněte tlačítko pro uvolnění akumulátoru (2).
2. Vytáhněte akumulátor z nářadí, jak je zobrazeno na obr. C1.

Kontrola stavu nabití akumulátoru (obr. C2)

- Chcete-li zkontrolovat stav nabití akumulátoru, krátce stiskněte tlačítko (25) na akumulátoru.
- Akumulátor je vybaven 3 kontrolkami, které indikují stav jeho nabití: čím více kontrolky svítí, tím více je akumulátor nabit.
- Pokud tyto kontrolky nesvítí, znamená to, že je akumulátor vybitý a musíte ho okamžitě nabít.

Nabíjení akumulátoru pomocí nabíječky (obr. C2)

1. Vyjměte akumulátor (1) ze stroje.
2. Obráťte akumulátor (1) spodní stranou nahoru a zasuňte ho do nabíječky (4), jak je zobrazeno na obr. C2.
3. Zatlačte na akumulátor, dokud není zcela zasunut do slotu.

4. Připojte zástrčku kabelu nabíječky k síťové zásuvce a chvíli počkejte. LED indikátory na nabíječce (5) se rozsvítí a zobrazí aktuální stav nabití akumulátoru.

Tato nabíječka je vybavena 2 LED indikátory (5), které indikují stav procesu nabíjení:

Stav červené LED	Stav zelené LED	Stav nabíječky
Nesvítí	Nesvítí	Žádné napájení
Nesvítí	Svítí	Pohotovostní režim: - Není vložen žádný akumulátor nebo - Akumulátor je vložen, ale nabíjení skončilo
Svítí	Nesvítí	Probíhá nabíjení akumulátoru

- Úplné nabití 2Ah akumulátoru může trvat až 60 minut.
- Úplné nabití 4Ah akumulátoru může trvat až 120 minut.

Jakmile bude akumulátor zcela nabit, odpojte zástrčku kabelu nabíječky ze zásuvky a vyjměte akumulátor z nabíječky.



Pokud se stroj nepoužívá delší dobu, je nejlepší akumulátor skladovat v nabitém stavu.

Montáž ochranného krytu (obr. B1)

- Upevněte ochranný kryt (10) na tělo hlavy sekačky.
- Zajistěte tento kryt pomocí dodaného šroubu (11).

Montáž ochranného vedení (obr. B2)

- Přitiskněte oba konce ochranného vedení (12) k sobě a zasuňte je do otvorů na těle hlavy sekačky.
- Toto ochranné vedení může být nastaveno na různé ochranné vzdálenosti. Chcete-li toto vedení nastavit, jednoduše jej přitlačte nebo povytáhněte.

Montáž přední rukojeti (obr. D1)

- Umístěte rukojeť (8) na držák namontovaný na horní tyči.
- Vložte šroub do šestihránného otvoru a namontujte na tento šroub ovladač (9).

Seřízení přední rukojeti (obr. D2)

- Lehce odšroubujte ovladač (9) a zatlačte nebo povytáhněte přední rukojeť (8) do požadované polohy. To může být provedeno směrem nahoru nebo dolů nebo můžete provést otočení kolem horní tyče.



Při použití tohoto nářadí bočním způsobem vždy používejte boční kolečka.

Montáž bočního kolečka (obr. E)

- Nasuňte boční kolečko (13) na držák bočního kolečka (14).

Montáž cívky se strunou (obr. F1)

Před výměnou cívky očistěte toto nářadí od všech nečistot.

- Vložte pružinu (17) do pouzdra cívky (18). Ujistěte se, zda je širší část pružiny umístěna na hlavě sekačky.
- Nasadte navíjecí cívku (16) na pružinu (17). Ujistěte se, že struny procházejí ven skrz otvory v pouzdru cívky (18). (obr. F2).
- Zakryjte navíjecí cívku krytem cívky (15) a upevněte tento kryt řádným utažením.

Výměna cívky (obr. F1)

- Sejměte kryt cívky (15).
- Vyjměte navíjecí cívku (16), ale nechejte uvnitř pružinu (17).
- Vložte dovnitř novou navíjecí cívku (GT801AA) a nasadte ji na pružinu (17). Ujistěte se, že struny procházejí ven skrz otvory v pouzdru cívky (18). (obr. F2).
- Zakryjte novou navíjecí cívku krytem cívky (15) a upevněte tento kryt řádným utažením.

4. POUŽITÍ

Použití systému Tap and go (obr. G)

- Je-li struna příliš krátká, zapněte nářadí a přitlačte hrot navíjecí cívky (19) na zem (tento úkon musíte provést na tvrdém povrchu).
- Tak dojde k vysunutí struny z cívky.
- Struna bude zkrácena na správnou délku automaticky pomocí nože, který je namontován na ochranném krytu (10).

Náklon hlavy sekačky (obr. H)

Vypněte toto nářadí a odpojte akumulátor.

- Přitlačte ovladač (20) na hlavě sekačky, abyste mohli naklonit hlavu do požadované polohy.
- Jakmile ovladač uvolníte, hlava se automaticky zajistí v nové poloze.

Otáčení hlavy sekačky (obr. I)

- Stlačte kroužek (21) dolů směrem k hlavě sekačky, abyste mohli otočit hlavu do požadované polohy.
- Jakmile bude kroužek uvolněn, hlava se automaticky zajistí v nové poloze.

Nastavení výšky tyče (obr. J)

- Chcete-li nastavit délku tyče sekačky, povolte spodní seřizovací kroužek (22).
- Opatrně vytáhněte spodní hřídel (24) směrem nahoru nebo dolů z horní hřídele (23).
- Utáhněte spodní seřizovací kroužek (22), aby se zajistila nová délka tyče.

Použití strunové sekačky

Před použitím vždy proveďte vizuální kontrolu tohoto stroje a ujistěte se, že všechny jeho části jsou řádně namontovány a nejsou opotřebené nebo poškozeny.

- Z důvodu vaší bezpečnosti a pro dosažení nejlepších výsledků si přečtěte následující rady a nepoužívejte výrobek k ničemu jiného než k zamýšlenému účelu.
- Tato strunová sekačka je určena pro sekání trávy. Jakékoliv jiné použití, které není popsáno v tomto návodu, může mít za následek poškození této strunové sekačky nebo zranění uživatele.

Bezpečnostní funkce

- Ochranný kryt je opatřen nožem, který zkracuje strunu na správnou délku. Nedotýkejte se tohoto nože, abyste omezili riziko zranění.
- Vypínač (6) a bezpečnostní spínač (7) musí být stisknuty současně, aby motor nastartoval. Toto nářadí je navrženo tak, aby se rychle zastavilo, dojde-li k uvolnění jednoho z těchto dvou spínačů.

Zapnutí a vypnutí

- Chcete-li tuto sekačku zapnout, stiskněte současně bezpečnostní spínač (7) a vypínač (6).
- K vypnutí stačí uvolnit jeden nebo oba spínače.

5. ÚDRŽBA



Před čištěním a prováděním údržby vždy stroj vypněte a vyjměte z něj akumulátor.

Pravidelně čistěte kryt zařízení jemným hadříkem, ideálně po každém použití. Ujistěte se, zda nejsou větrací otvory zaneseny prachem nebo jinými nečistotami. Odolnější nečistoty odstraňte pomocí jemného hadříku navlhčeného v mýdlové pěně. Nepoužívejte žádná rozpouštědla, jako jsou benzín, líh, čpavek atd. Takové chemické látky mohou způsobit poškození dílů z umělé hmoty.

OCHRANA ŽIVOTNÍHO PROSTŘEDÍ



Poškozená a likvidovaná elektrická nebo elektronická zařízení musí být odevzdána ve sběrných dvorech, které jsou určeny pro tento účel.

Pouze pro země EU

Nevyhazujte elektrická nářadí do běžného domácího odpadu. Podle evropské směrnice 2012/19/EC týkající se likvidace elektrických a elektronických zařízení a její implementace do vnitrostátního práva, musí být nepoužívaná elektrická nářadí shromažďována odděleně a jejich likvidace musí být provedena tak, aby nedošlo k ohrožení životního prostředí.

ZÁRUKA

Výrobky VONROC jsou vyvíjeny v souladu s požadavky norem na nejvyšší kvalitu a je zaručeno, že po dobu platné záruky, která začíná běžet dnem původního nákupu, nebudou na těchto výrobcích žádné vady materiálu, ani vady způsobené špatným dílenským zpracováním. Dojde-li během tohoto období k závadě v důsledku vady materiálu nebo dílenského zpracování, kontaktujte přímo firmu VONROC.

Z této záruky jsou vyloučeny následující případy:

- Opravy nebo úpravy tohoto zařízení byly provedeny nebo byly provedeny pokusy o jejich provedení v neautorizovaných servisech;
- Běžné opotřebení;
- Toto zařízení bylo nesprávně použito, nevhodně použito nebo nebyla prováděna jeho správná údržba;
- Byly použity neoriginální náhradní díly.

Výše uvedené představuje jedinou záruku poskytovanou společností, ať už výslovnou nebo předpokládanou. Neexistují žádné další záruky, výslovné ani nebo předpokládané, které přesahují rámec zde uvedeného, včetně předpokládaných záruk prodejnosti a vhodnosti pro určitý účel. VONROC v žádném případě neodpovídá za jakékoliv náhodné nebo následné škody. Opravné prostředky prodejců se omezují výhradně na opravu nebo výměnu nevhodujících jednotek nebo dílů.

Na tomto výrobku a v tomto návodu mohou být prováděny změny. Technické údaje mohou být změněny bez předchozího upozornění.

1. ИНСТРУКЦИИ ЗА БЕЗОПАСНОСТ

Прочетете приложените предупреждения за безопасност, допълнителните предупреждения за безопасност и инструкциите. Неспазването на предупрежденията за безопасност и инструкциите може да доведе до токов удар, пожар и/или сериозно нараняване. Запазете предупрежденията за безопасност и инструкциите за бъдещи справки.

Следните символи се използват в ръководството за потребителя или върху продукта:



Прочетете ръководството за потребителя.



Означава риск от нараняване, загуба на живот или повреда на инструмента в случай на неспазване на инструкциите в това ръководство.



Риск от токов удар.



Носете защита за слуха.



Носете предпазни очила.



Носете маска за прах.



Носете предпазни ръкавици.



Носете предпазни ботуши.



Да не се излага на дъжд.



Машина от клас II - Двойна изолация - Нямаме нужда от заземен щепсел.



Миниатюрна стопяема вложка със забавяне във времето.



Максимална температура 45°C.



Не изхвърляйте батерията в огън.



Не изхвърляйте батерията във вода.



Отделно събиране на литиево-йонните батерии.



Не изхвърляйте продукта в неподходящи контейнери.



Продуктът е в съответствие с приложимите стандарти за безопасност в европейските директиви.



Преди почистване и поддръжка винаги изключвайте машината и изваждайте батерията от машината.



Гарантираното ниво на звукова мощност LWA = 96 dB(A)

ОБЩИ ПРЕДУПРЕЖДЕНИЯ ЗА БЕЗОПАСНОСТ НА ЕЛЕКТРОИНСТРУМЕНТИ



ВНИМАНИЕ! Прочетете всички предупреждения за безопасност и всички инструкции. Неспазването на предупрежденията и инструкциите може да доведе до токов удар, пожар и/или сериозно нараняване.

Запазете всички предупреждения и инструкции за бъдещи справки.

Терминът „електроинструмент“ в предупрежденията се отнася за вашия захранван от електрическата мрежа (с кабел) електроинструмент или работещ с батерии (безкабелен) електроинструмент.

- 1) **Безопасност на работната зона**
 - a) **Поддържайте работното място чисто и добре осветено.** Разхвърляните или тъмни зони предразполагат към инциденти.
 - b) **Не работете с електрически инструменти в експлозивни атмосфери, като например в присъствието на запалими течности, газове или прах.** Електрическите инструменти създават искри, които могат да възпламенят праха или изпаренията.
 - c) **Дръжте децата и минувачите далеч, докато работите с електроинструмент.** Разсейването може да ви накара да загубите контрол.
- 2) **Електрическа безопасност**
 - a) **Щепселите на електроинструмента трябва да съответстват на контакта. Никога не променяйте щепсела по никакъв начин. Не използвайте адаптерни щепсели със заземени електрически инструменти.** Непроменени щепсели и съвпадащи контакти ще намалят риска от токов удар.
 - b) **Избягвайте контакт на тялото със заземени повърхности, като тръби, радиатори, печки и хладилници.** Съществува повишен риск от

- токов удар, ако тялото ви е заземено.
- c) **Не излагайте електрическите инструменти на дъжд или мокри условия.** Попадането на вода в електроинструмента ще увеличи риска от токов удар.
- d) **Не злоупотребявайте с кабела. Никога не използвайте кабела за пренасяне, дърпане или изключване на електрическия инструмент. Дръжте кабела далеч от топлина, масло, остри ръбове или движещи се части.** Повредените или заплетени кабели увеличават риска от токов удар.
- e) **Когато работите с електроинструмент на открито, използвайте удължителен кабел, подходящ за употреба на открито.** Използването на кабел, подходящ за употреба на открито, намалява риска от токов удар.
- f) **Ако работата с електроинструмент на влажно място е неизбежна, използвайте захранване с устройство за остатъчен ток (RCD).** Използването на ДТЗ намалява риска от токов удар.
- 3) Лична безопасност**
- a) **Бъдете нащрек, внимавайте какво правите и използвайте здрав разум, когато работите с електроинструмент. Не използвайте електрически инструмент, докато сте уморени или под въздействието на наркотици, алкохол или лекарства.** Момент на невнимание при работа с електрически инструменти може да доведе до сериозно нараняване.
- b) **Използвайте лични предпазни средства. Винаги носете предпазни очила.** Защитно оборудване като маска за прах, предпазни обувки против хлъзгане, каска или защита за слуха, използвани при подходящи условия, ще намалят нараняванията.
- c) **Предотвратете неволно стартиране. Уверете се, че превключвателят е в изключено положение, преди да свържете към източник на захранване и/или батерия, да вземете или пренесете инструмента.** Носенето на електроинструменти с пръст върху превключвателя или включването на електроинструменти с включен превключвател води до инциденти.
- d) **Отстранете всички регулиращи ключове или гаечни ключове, преди да включите електроинструмента.** Гаечен ключ или ключ, оставен прикрепен към въртяща се част на електроинструмента, може да доведе до нараняване.
- e) **Не прекалявайте. Поддържайте правилна опора и баланс през цялото време.** Това позволява по-добър контрол на електроинструмента в неочаквани ситуации.
- f) **Облечете се правилно. Не носете широки дрехи или бижута. Дръжте косата, дрехите и ръкавиците си далеч от движещи се части.** Свободни дрехи, бижута или дълга коса могат да бъдат захванати от движещи се части.
- g) **Ако са осигурени устройства за свързване на устройства за изсмукване и събиране на прах, уверете се, че те са свързани и използвани правилно.** Използването на събиране на прах може да намали опасностите, свързани с праха.
- h) **Не допускайте самочувствието, придобито от познанията ви, получени от честото използване на инструменти, да стане пречка при спазване на принципите за безопасност на инструментите.** Едно необмислено действие може да причини тежки наранявания за части от секундата.
- 4) Използване и грижи за електрически инструменти**
- a) **Не насилвайте електроинструмента. Използвайте правилния електроинструмент за вашето приложение.** Правилният електроинструмент ще свърши работата по-добре и по-безопасно при скоростта, за която е проектиран.
- b) **Не използвайте електроинструмента, ако превключвателят не го включва и изключва.** Всеки електроинструмент, който не може да се управлява с превключвателя, е опасен и трябва да бъде ремонтиран.
- c) **Изключете щепсела от източника на захранване и/или батерията от електроинструмента, преди да правите каквито и да било настройки, смяна на аксесоари или съхраняване на електроинструмента.** Такива превантивни мерки за безопасност намаляват риска от случайно стартиране на електроинструмента.
- d) **Съхранявайте неизползваните електроинструменти далеч от обсега на деца и не позволявайте на хора, които не са запознати с електроинструмента или тези инструкции, да работят с електроинструмента.** Електрическите инструменти са опасни в ръцете на необучени потребители.
- e) **Поддържайте електроинструментите. Проверете за разместване или залепване на движещи се части, счупване на части и всяко друго състояние, което може да повлияе на работата на електроинструмента. Ако е повреден, поправете електроинструмента преди**

употреба. Много злополуки са причинени от лошо поддържани електрически инструменти.

- f) **Поддържайте режещите инструменти остри и чисти.** Правилно поддържаните режещи инструменти с остри режещи ръбове е по-малко вероятно да се заядат и са по-лесни за контрол.
- g) **Използвайте електроинструмента, аксесоарите и накрайниците за инструменти и т.н. в съответствие с тези инструкции, като вземете предвид условията на работа и работата, която трябва да се извърши.** Използването на електроинструмента за операции, различни от предвидените, може да доведе до опасна ситуация.
- h) **Поддържайте дръжките и захващащите повърхности сухи и чисти от масло и грес.** Хлъзгавите дръжки и захващащи повърхности пречат на безопасното боравене и управление на инструмента при неочаквани ситуации.
- 5) **Използване и грижи за батерията**
- a) **Зареждайте само със зарядното устройство, посочено от производителя.** Зарядното устройство, което е подходящо за един тип батерия, може да създаде риск от пожар, когато се използва с друг комплект батерии.
- b) **Използвайте електрически инструменти само със специално указани батерии.** Използването на други батерии може да създаде риск от нараняване и пожар.
- c) **Когато батерията не се използва, дръжте я далече от други метални предмети, като кламери, монети, ключове, пирони, винтове или други малки метални предмети, които могат да свържат един терминал към друг.** Късото свързване на клемите на батерията може да причини изгаряния или пожар.
- d) **При неблагоприятни условия от батерията може да изтече течност; избягвайте контакт. Ако случайно попадне на кожата, измийте с вода. Ако течността влезе в очите, потърсете медицинска помощ.** Течността, изхвърлена от батерията, може да причини дразнене или изгаряния.
- e) **Не използвайте батерия или инструмент, който е повреден или модифициран.** Повредените или модифицирани батерии могат да проявят непредсказуемо поведение, водещо до пожар, експлозия или риск от нараняване.
- f) **Не излагайте батерията или инструмента на огън или прекомерна температура.** Излагането на огън или температура над 130 °C може да

причини експлозия. ЗАБЕЛЕЖКА Температурата „130 °C“ може да бъде заменена с температура „265 °F“.

- g) **Следвайте всички инструкции за зареждане и не зареждайте батерията или инструмента извън температурния диапазон, посочен в инструкциите.** Неправилното зареждане или температури извън указания диапазон може да повреди батерията и да увеличи риска от пожар.
- b) **Обслужване**
- a) **Поддържката на Вашия електроинструмент трябва да се извършва от квалифициран сервиз, като се използват само идентични резервни части.** Това ще гарантира поддържката на безопасността на електроинструмента.
- b) **Никога не поправяйте повредени батерии.** Обслужването на батериите трябва да се извършва само от производителя или от оторизираните доставчици на услуги.

ДОПЪЛНИТЕЛНА ИНСТРУКЦИЯ ЗА БЕЗОПАСНОСТ АКУМУЛАТОРЕН ТРИМЕР ЗА ТРЕБА

- Никога не позволявайте на деца или хора, които не са запознати с тези инструкции, да използват тримера. Местните разпоредби може да ограничават възрастта на оператора. Когато не се използва, съхранявайте тримера на място, недостъпно за деца.
- Никога не работете с тримера с липсващи или счупени предпазители или щитове или без предпазители или щитове на място.
- Преди да използвате машината и след удар, проверете за признаци на износване или повреда и поправете, ако е необходимо.
- Никога не работете с продукта, когато сте уморени, болни или под въздействието на алкохол, наркотици или лекарства.
- Винаги носете дълги тежки панталони, ботуши и ръкавици. Не носете широки дрехи, бижута, къси панталони, сандали и никога не работете боси.
- Носете предпазни очила и наушници, когато работите с машината
- Поддържайте стабилна опора и баланс. Не се протягайте прекалено.
- Никога не работете с този тример, докато наблизо има хора, особено деца или домашни любимци.

- Изчакайте макарата да спре напълно, преди да я докоснете. Макаратата продължава да се върти след изключване на тримера; въртящ се проводник може да причини нараняване.
- Работете само на дневна светлина или при добра изкуствена светлина
- Избягвайте да използвате тримера при лоши метеорологични условия, особено когато има риск от мъляна.
- Работата с тримера в мокра трева намалява ефективността на работата.
- Изключвайте, когато транспортирате тримера до и от зоната, върху която ще работите.
- Включвайте мотора само, когато ръцете и краката са далеч от режещия инструмент.
- Не поставяйте ръце или крака близо до режещата система.
- Отстранете батерията преди смяна на макарата.
- Никога не монтирайте метални режещи елементи към този тример.
- Редовно проверявайте и поддържайте тримера.
- Ремонтирайте тримера само от оторизиран агент за обслужване на клиенти.
- Винаги се уверявайте, че вентилационните отвори са чисти от отломки.
- Извадете батерията:
 - всеки път, когато оставяте машината без надзор за определен период от време
 - преди смяна на проводника
 - преди почистване или работа по тримера
- Съхранявайте машината на сигурно и сухо място, недостъпно за деца. Не поставяйте други предмети върху машината.
- Не работете с машината без монтирана телена приставка.

ПРЕДУПРЕЖДЕНИЯ ЗА БЕЗОПАСНОСТ ЗА БАТЕРИЯТА

- a) **Не отваряйте батерията.** Опасност от късо съединение.
- b) **Пазете батерията от топлина, напр. срещу продължителна интензивна слънчева светлина, огън, вода и влага.** Опасност от експлозия.
- c) **В случай на повреда и неправилно използване на батерията, може да има отделяне на пари. Проветрете мястото и потърсете медицинска помощ в случай на оплаквания.** Изпаренията могат да подразнят дихателната система.
- d) **Използвайте батерията само заедно с вашия продукт Vonroc.** Само тази мярка предпазва батерията от опасно претоварване.

- e) **Батерията може да бъде повредена от остри предмети, като например пирони или отвертки, или от сила, приложена отвън.** Може да възникне вътрешно късо съединение и батерията може да изгори, да пуши, да експлодира или да прегрее.

ПРЕДУПРЕЖДЕНИЯ ЗА БЕЗОПАСНОСТ ЗА ЗАРЯДНОТО НА БАТЕРИЯТА

Предназначение

Зареждайте само акумулаторни батерии тип CD801AA и CD803AA със зарядното устройство. Други видове батерии могат да се пръснат, което може да причини нараняване и повреда.

- a) **Уредът не трябва да се използва от хора (включително деца) с намалени физически, сетивни или умствени способности, или с липса на опит и знания, освен ако не са получили надзор или инструкции.**
- b) **Децата трябва да са под наблюдение, за да не играят с уреда.**
- c) **Не презареждайте акумулаторните батерии!**
- d) **По време на зареждането батериите трябва да се поставят в добре проветрено помещение!**

2. ИНФОРМАЦИЯ ЗА МАШИНАТА

Предназначение


Тримерът за трева е разработен за косене на трева и плевели, под храсти, както и по склонове. Тримерът за трева е идеален за рязане на ръбове, които не могат да бъдат достигнати с косачката. Употребата по предназначение е свързана с работа в рамките на 0°C и 45°C околна температура. Не използвайте тази машина при дъжд.


ТЕХНИЧЕСКИ СПЕЦИФИКАЦИИ

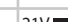



Това ръководство е съставено за различни комплекти/артикулни номера. Проверете съответния артикулен номер в таблицата със спецификации по-долу за правилния състав и съдържание на вашия комплект.

Модел №	Батерии доставени	Зарядни устройства доставени
GT501DC	-	-
S_GT501DC	CD801AA	CD802AA
S2_GT501DC	2 x CD801AA	CD802AA
S3_GT501DC	CD803AA	CD802AA

Информация за машината	
Волтаж	20V 
Телескопичен прът	420 - 700 мм
Регулиране на ъгъла на пръта	0° - 90°
Регулируема глава	0° - 90°
Скорост на свободен ход	8,000/мин.
Диаметър на рязане	250 мм
Режеща система	2 двуредова макара с тел, освобождаване с потупване Ø1,2 мм x 8 м
Тегло (без батерията)	2,1 кг
Ниво на звуково налягане LPA	71,2 dB(A) K=3dB(A)
Ниво на звуковата мощност LWA	88,2 dB(A) K=3dB(A)
Стойност на вибрациите	6,918 м/сек. ² K=1,5 м/сек. ²

Модел №	CD801AA
Вид батерия	Литиево-йонна
Волтаж	20V 
Капацитет	2,0 Ah
Препоръчително зарядно	CD802AA
Тегло	0,3 кг

Модел №	CD802AA
Вход за зарядно устройство	220-240V, 50Hz 0,4A
Изход за зарядно устройство	21V  2,5A
Време за зареждане 2Ah батерия	60 минути
Време за зареждане 4Ah батерия	120 минути
Препоръчителни батерии	CD801AA, CD803AA
Тегло	0,36 кг

Модел №	CD803AA
Вид батерия	Литиево-йонна
Волтаж	20V 
Капацитет	4,0 Ah
Препоръчително зарядно	CD802AA
Тегло	0,65 кг

Гарантирана стойност съгласно директивата за шума: LwA 96db(A)

Използвайте само следните батерии на платформата за батерии VONROC-VPOWER 20V. Използването на други батерии може да причини сериозно нараняване или повреда на инструмента.

CD801AA 20V, 2Ah литиево-йонна
CD803AA 20V, 4Ah литиево-йонна

За зареждане на тези батерии може да се използва следното зарядно устройство.
CD802AA Бързо зарядно

Батериите на платформата за батерии VONROC VPOWER 20V са взаимозаменяеми с всички инструменти за платформа за батерии VONROC AX-VPOWER 20V.

Ниво на вибрация

Нивото на излъчване на вибрации, посочено в това ръководство с инструкции, е измерено в съответствие със стандартизиран тест, даден в EN 50636-2-91; може да се използва за сравняване на един инструмент с друг и като предварителна оценка на излагането на вибрации при използване на инструмента за споменатите приложения.

- Използването на инструмента за различни приложения или с различни или лошо поддържани аксесоари може значително да увеличи нивото на излагане.
- Времето, когато инструментът е изключен или когато работи, но всъщност не върши работата, може значително да намали нивото на излагане.

Защитете се от въздействието на вибрациите, като поддържате инструмента и неговите аксесоари, поддържате ръцете си топли и организирате работните си модели.

ОПИСАНИЕ

Цифрите в текста се отнасят до диаграмите на стр. 2 - 5.

1. Батерия
2. Бутон за отключване на батерията
3. Индикация за заряд на батерията
4. Зарядно устройство
5. Електродиодни индикатори на зарядното устройство
6. Превключвател за вкл./изкл.
7. Предпазен превключвател
8. Предна дръжка
9. Копче на предната дръжка
10. Предпазител
11. Винт
12. Предпазна релса
13. Странично колело
14. Държач за странични колела
15. Капак на макарата
16. Макара
17. Пружина на макарата

18. Корпус на макарата
19. Накрайник на макара
20. Глава на тримера с копче за регулиране
21. Глава на тримера с пръстен за регулиране
22. Долен регулиращ пръстен
23. Горен вал
24. Долен вал
25. Бутон за LED индикатори на батерията

3. МОНТАЖ



Преди каквато и да е работа по електроинструмента, извадете батерията.



Предупреждение! Не използвайте тримера за трева без защитния кожух.



Машината трябва да се зареди преди първата употреба.

Поставяне на батерията в устройството (Фиг. С1)



Уверете се, че външната страна на батерията е чиста и суха, преди да свържете зарядното устройство или машината.

1. Поставете батерията (1) в основата на машината, както е показано на фиг. С1.
2. Натиснете батерията напред, докато щракне на място.

Изваждане на батерията от машината (Фиг. С1)

1. Натиснете бутона за отключване на батерията (2).
2. Издърпайте батерията от машината, както е показано на фиг. С1.

Проверка на състоянието на зареждане на батерията (фиг. С2)

- За да проверите състоянието на зареждане на батерията, натиснете за кратко бутона (25) на батерията.
- Батерията има 3 светлини, показващи нивото на зареждане, колкото повече светлини светят, толкова повече заряд има в батерията.
- Когато светлините не светят, това означава, че батерията е празна и трябва да се зареди незабавно.

Зареждане на батерията със зарядно устройство (Фиг. С2)

1. Вземете батерията (1) от машината.
2. Обърнете батерията (1) в обърната позиция и я

плъзнете върху зарядното устройство (4), както е показано на Фиг. С2.

3. Натиснете батерията, докато влезе напълно в слота.
4. Включете щепсела на зарядното устройство в електрически контакт и изчакайте известно време. LED индикаторът на зарядното устройство (5) ще светне и ще покаже състоянието на зарядното устройство.

Батерията има 2 LED индикатора (5), който показва състоянието на процеса на зареждане:

ЧервенLEDсъстояние	ЗеленLEDсъстояние	Състояние на зарядното устройство
Изкл.	Изкл.	Без захранване
Изкл.	Вкл.	Режим на готовност: - Не е поставена батерия или, - Батерията е поставена, но зареждането е приключило
Вкл.	Изкл.	Батерията се зарежда

- Пълното зареждане на 2Ah батерия може да отнеме до 60 минути.
- Пълното зареждане на 4Ah батерия може да отнеме до 120 минути.

- След като батерията е напълно заредена, извадете щепсела на зарядното устройство от контакта и извадете батерията от зарядното устройство.



Когато машината не се използва за по-дълъг период от време, най-добре е батерията да се съхранява в заредено състояние.

Монтиране на защитния кожух (фиг. В1)

- Поставете защитния предпазител (10) върху корпуса на главата на тримера.
- Закрепете предпазител с доставения винт (11).

Монтиране на предпазната релса (фиг. В2)

- Стиснете краищата на предпазната релса (12) заедно и я плъзнете в отворите на корпуса на тримерната глава
- Предпазната релса може да бъде настроена на различни защитни разстояния. За да регулирате релсата, просто я натиснете или я издърпайте.

Монтиране на предната дръжка (фиг. D1)

- Поставете дръжката (8) върху дръжача, монтиран на горния вал.
- Поставете болта в шестоъгълния отвор и монтирайте копчето (9) върху болта.

Регулиране на предната дръжка (Фиг. D2)

- Развийте леко копчето (9) и натиснете или дръпнете предната ръкохватка (8) в желаната позиция. Това може да бъде надолу или нагоре и да се върти около горния вал.



Когато използвате машината на страни, винаги използвайте страничното колело.

Монтаж на странично колело (фиг. E)

- Плъзнете странично колело (13) върху дръжача на странично колело (14).

Монтиране на телената макара (фиг. F1)

Преди да смените макарата почистете машината от всякакви замърсявания.

- Поставете пружината (17) в корпуса на макарата (18). Уверете се, че по-широката страна на пружината е поставена върху главата на тримера.
- Поставете макарата (16) върху пружината (17). Уверете се, че проводниците са прекарани през отворите вътре в корпуса (18). (Фиг. F2)
- Покрийте макарата с капака на макарата (15) и я затегнете, като завъртите плътно капака.

Смяна на макарата (фиг. F1)

- Свалете капака на макарата (15).
- Извадете макарата (16), но оставете пружината (17) вътре.
- Вземете новата макара (GT801AA) и я поставете върху пружината (17). Уверете се, че проводниците са прекарани през отворите вътре в корпуса (18). (Фиг. F2)
- Покрийте новата макара с капака на макарата (15) и я закрепете, като завъртите капака плътно.

4. ЕКСПЛОАТАЦИЯ

Използване на системата освобождаване с потупване (фиг. G)

- Когато телта е твърде къса, включете машината и натиснете върха на макарата (19) върху земята (уверете се, че това е направено върху твърда повърхност).

- Това ще освободи жицата, за да стане по-дълга.
- Жицата ще бъде отрязана на правилната дължина автоматично от острието, монтирано в предпазния кожух (10).

Наклоняне на главата на тримера (фиг. H)

Моля, дръжте захранването изключено и извадете батерията.

- Натиснете копчето (20) на главата на тримера, за да наклоните главата в желаната позиция.
- Когато копчето бъде освободено, главата ще щракне и ще се заключи в избраната позиция.

Завъртане на главата на тримера (фиг. I)

- Натиснете пръстена (21) надолу към главата на тримера, за да завъртите главата в желаната позиция.
- Когато пръстенът бъде освободен, главата ще щракне и ще се заключи в избраната позиция.

Регулиране на височината на стълба (фиг. J)

- За да регулирате височината на машината, разхлабете долния регулиращ пръстен (22).
- Внимателно натиснете долния вал (24) от горния вал (23) надолу или нагоре.
- Затегнете долния регулиращ пръстен (22), за да осигурите височината на машината.

Използване на вашия тример за трева

Преди употреба винаги проверявайте визуално машината и дали нейните части са правилно монтирани, дали не са износени или повредени.

- За ваша собствена безопасност и за най-добри резултати прочетете следните съвети за потребителя и не използвайте този продукт за нищо друго освен за предназначението му.
- Този тример за трева е предназначен за косене на трева. Всяка друга употреба, която не е изрично разрешена в това ръководство, може да доведе до повреда на тримера за трева или нараняване на потребителя.

Функции за безопасност

- Защитният предпазител има нож за рязане на проводника до правилната дължина. Не докосвайте ножа, за да намалите вероятността от нараняване на потребителя.
- Превключвателят за вкл./изкл. (6) и предпазният

превключвател (7) трябва да работят заедно, за да стартирате двигателя. Ако натискът върху един от двата превключвателя се освободи, инструментът е проектиран да спира бързо.

Включване и изключване

- За да включите тримера, натиснете едновременно предпазния ключ (7) и стартовия превключвател за вкл./изкл. (6).
- За да изключите, отпуснете единия или двата ключа.

5. ПОДДРЪЖКА



Преди почистване и поддръжка винаги изключвайте машината и изваждайте батерията от машината.

Почиствайте корпусите на машината редовно с мека кърпа, за предпочитане след всяка употреба. Уверете се, че вентилационните отвори са чисти от прах и мръсотия. Отстранете много устойчивите замърсявания с помощта на мека кърпа, навлажнена със сапунена пяна. Не използвайте никакви разтворители като бензин, алкохол, амоняк и др. Химикали като тези ще повредят синтетичните компоненти.

ЗАОБИКАЛЯЩА СРЕДА



Дефектните и/или изхвърлени електрически или електронни уреди трябва да се събират в подходящите места за рециклиране.

Само за страните от ЕК

Не изхвърляйте електроинструментите в битовите отпадъци. Съгласно Европейската насока 2012/19/ЕК за отпадъци от електрическо и електронно оборудване и нейното прилагане в национално право, електроинструментите, които вече не могат да се използват, трябва да се събират отделно и да се изхвърлят по екологичен начин.

ГАРАНЦИЯ

Продуктите на VONROC са разработени по най-високите стандарти за качество и са гарантирани без дефекти както в материалите, така и в изработката за законно определения период, считано от датата на първоначалната покупка. Ако продуктът се повреди през този период поради дефектен материал и/или изработка, свържете се директно с VONROC.

Следните обстоятелства са изключени от тази гаранция:

- Извършвани са ремонти и/или промени на машината от неоторизирани сервизни центрове.
- Нормално износване;
- Инструментът е бил злоупотребяван, използван неправилно или неправилно;
- Използвани са неоригинални резервни части.

Това представлява единствената гаранция, предоставена от компанията, изрична или подразбираща се. Няма други изрични или подразбиращи се гаранции, които се простират извън лицето на това, тук, включително подразбиращите се гаранции за продаваемост и пригодност за определена цел. В никакъв случай VONROC не носи отговорност за случайни или последващи щети. Средствата на търговското лице се ограничават до ремонт или подмяна на несъответстващи възли или части.

Продуктът и ръководството за потребителя подлежат на промяна. Спецификациите могат да бъдат променени без допълнително предупреждение.



DECLARATION OF CONFORMITY
GT501DC / S_GT501DC / S2_GT501DC / S3_GT501DC - CORDLESS GRASS TRIMMER

- (EN) We declare under our sole responsibility that this product is in conformity with directive 2011/65/EU of the European parliament and of the council of 8 June on the restriction of the use of certain hazardous substances in electrical and electronic equipment is in conformity and accordance with the following standards and regulations:
- (DE) Der Hersteller erklärt eigenverantwortlich, dass dieses Produkt der Richtlinie 2011/65/EU des Europäischen Parlaments und des Rats vom 8. Juni 2011 über die Einschränkung der Anwendung von bestimmten gefährlichen Stoffen in elektrischen und elektronischen Geräten entspricht. den folgenden Standards und Vorschriften entspricht:
- (NL) Wij verklaren onder onze volledige verantwoordelijkheid dat dit product voldoet aan de conform Richtlijn 2011/65/EU van het Europees Parlement en de Raad van 8 juni 2011 betreffende beperking van het gebruik van bepaalde gevaarlijke stoffen in elektrische en elektronische apparatuur en in overeenstemming is met de volgende standaarden en reguleringen:
- (FR) Nous déclarons sous notre seule responsabilité que ce produit est conforme aux standards et directives suivants: est conforme à la Directive 2011/65/EU du Parlement Européen et du Conseil du 8 juin 2011 concernant la limitation d'usage de certaines substances dangereuses dans l'équipement électrique et électronique.
- (ES) Declaramos bajo nuestra exclusiva responsabilidad que este producto cumple con las siguientes normas y estándares de funcionamiento: se encuentra conforme con la Directiva 2011/65/UE del Parlamento Europeo y del Consejo de 8 de junio de 2011 sobre la restricción del uso de determinadas sustancias peligrosas en los equipos eléctricos y electrónicos.
- (IT) Dichiariamo, sotto la nostra responsabilità, che questo prodotto è conforme alle normative e ai regolamenti seguenti: è conforme alla Direttiva 2011/65/UE del Parlamento Europeo e del Consiglio dell'8 giugno 2011 sulla limitazione dell'uso di determinate sostanze pericolose nelle apparecchiature elettriche ed elettroniche.
- (SV) Vi försäkrar under vårt eget ansvar att denna produkt överensstämmer med Europaparlamentets och rådets direktiv 2011/65/EU av den 8 juni om begränsning av användningen av vissa farliga ämnen i elektrisk och elektronisk utrustning och är i överensstämmelse och enlighet med följande standarder och föreskrifter:
- (DA) Vi erklærer under eget ansvar, at dette produkt er i overensstemmelse med Europa-Parlamentets og Rådets direktiv 2011/65/EU af 8. juni om begrænsning af brugen af visse farlige stoffer i elektrisk og elektronisk udstyr og overholder og er i overensstemmelse med følgende standarder og regler:
- (PL) Deklarujemy na własną odpowiedzialność, że ten produkt spełnia wymogi zawarte w następujących normach i przepisach: jest zgodny z Dyrektywą 2011/65/UE Parlamentu Europejskiego i Rady z dnia 8 czerwca 2011 r. w sprawie ograniczenia stosowania niektórych niebezpiecznych substancji w sprzęcie elektrycznym i elektronicznym.
- (RO) Declaram sub responsabilitate exclusivă că acest produs este în conformitate cu Directiva 2011/65/UE a Parlamentului și a Consiliului European din 8 iunie privind restricționarea utilizării anumitor substanțe periculoase în echipamentele electrice și electronice și în conformitate cu următoarele standarde și regulamente:
- (PT) Declaramos, sob nossa exclusiva responsabilidade, que este produto está em conformidade com a diretiva 2011/65/UE do Parlamento Europeu e com o conselho de 8 de Junho sobre a restrição da utilização de determinadas substâncias perigosas em equipamento eléctrico e electrónico está em conformidade e de acordo com as seguintes normas e regulamentações:
- (HU) Kizárólagos felelősségünk tudatában kijelentjük, hogy ez a termék megfelel az Európai Parlamentnek és a Tanácsnak az egyes veszélyes anyagok elektromos és elektronikus berendezésekben való alkalmazásának korlátozásáról szóló 2011/65/EU irányelvnek (2011. június 8.), valamint a következő szabványoknak és jogszabályoknak:
- (CS) Prohlašujeme na svou výhradní odpovědnost, že tento výrobek splňuje požadavky směrnice 2011/65/EU Evropské rady a parlamentu ze dne 8. června, která se týká omezení používání určitých nebezpečných látek v elektrických a elektronických zařízeních, a splňuje také všechny požadavky následujících norem a předpisů:
- (BG) Ние декларираме на наша лична отговорност, че този продукт е в съответствие с Директива 2011/65/ЕС на Европейския парламент и на Съвета от 8 юни относно ограничаването на употребата на определени опасни вещества в електрическо и електронно оборудване, е в съответствие със следните стандарти и разпоредби:

Measured sound power level: 88,2 dB(A)

Guaranteed sound power level: 96 dB(A)

Conformity assessment method to Annex VI Directive 2000/14/EC amended by 2005/88/EC

GT501DC:

EN 55014-1, EN 55014-2, EN 62233, EN 50636-2-91, EN 60335-1, 2006/42/EC, 2011/65/EU, 2012/19/EU, 2014/30/EU, 2000/14/EC, 2005/88/EC

S_GT501DC / S2_GT501DC / S3_GT501DC:

EN 550141, EN 550142, EN 62233, EN 50636291, EN 603351, 2006/42/EC, 2011/65/EU, 2012/19/EU, 2014/30/EU, 2000/14/EC, 2005/88/EC, 2014/35/EU, EN61000-3-2, EN61000-3-3, EN60335-2-29

Zwolle, 01-12-2024

H.G.F Rosberg
CEO

VONROC • Lingenstraat 6 • 8028 PM Zwolle • The Netherlands



VONROC®

BUILD YOUR FUTURE

©2024 VONROC

WWW.VONROC.COM

2412-05