



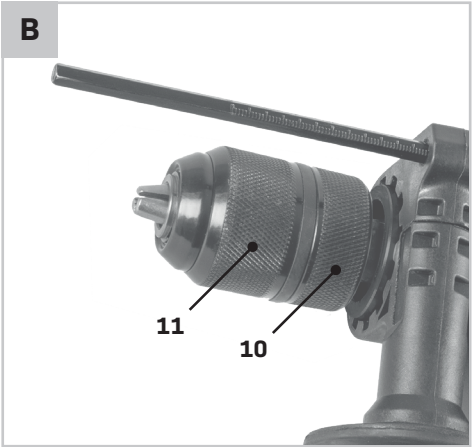
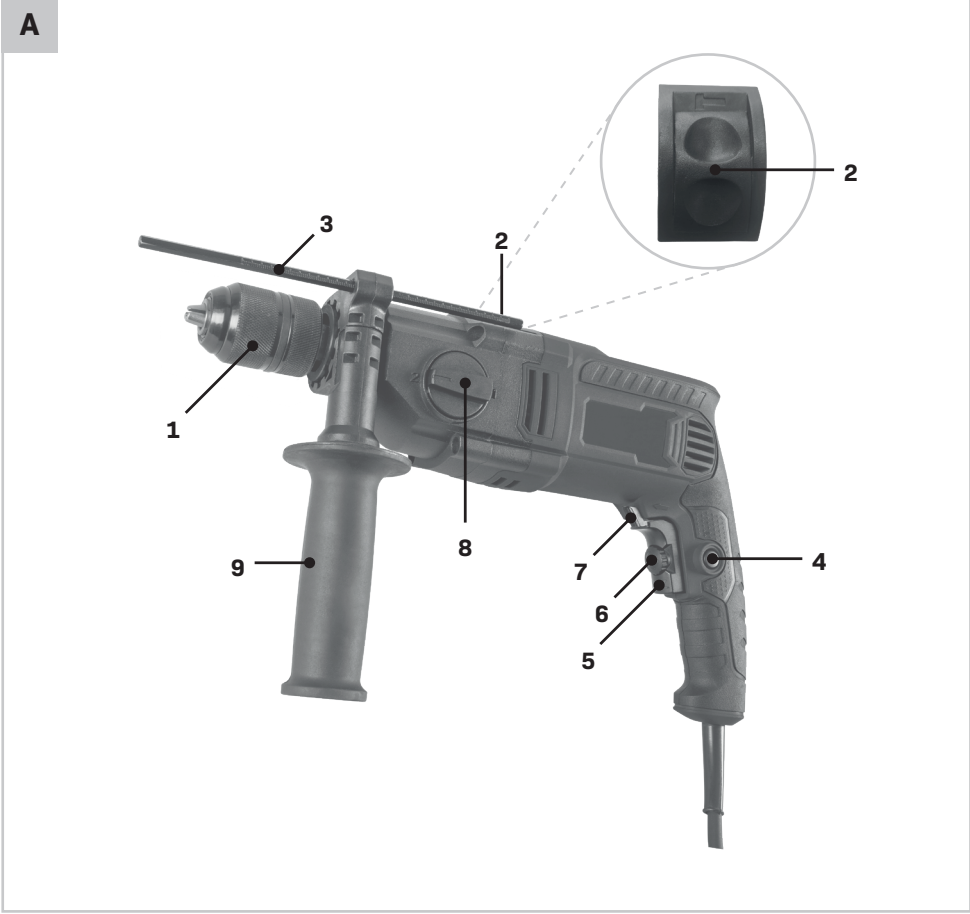
# VONROC®

BUILD YOUR FUTURE

## IMPACT DRILL ID503AC





<b>EN</b> Original Instructions	03	<b>DA</b> Oversættelse af den originale brugsanvisning	41
<b>DE</b> Übersetzung Der Originalbetriebsanleitung	08	<b>PL</b> Tłumaczenie instrukcji oryginalnej	46
<b>NL</b> Vertaling van de oorspronkelijke gebruiksaanwijzing	14	<b>RO</b> Traducere a instrucțiunilor originale	52
<b>FR</b> Traduction de la notice originale	19	<b>PT</b> Tradução do manual original	57
<b>ES</b> Traducción del manual original	25	<b>HU</b> Az eredeti utasítások fordítása	62
<b>IT</b> Traduzione delle istruzioni originali	31	<b>CS</b> Překlad původního návodu	68
<b>SV</b> Översättning av bruksanvisning i original	36	<b>TR</b> Orijinal talimatların çevirisi	73




# 1. SAFETY INSTRUCTIONS

Read the enclosed safety warnings, the additional safety warnings and the instructions. Failure to follow the safety warnings and the instructions may result in electric shock, fire and/or serious injury. Save the safety warnings and the instructions for future reference.

The following symbols are used in the user manual or on the product:


-  Read the user manual.
-  Denotes risk of personal injury, loss of life or damage to the tool in case of non-observance of the instructions in this manual.
-  Risk of electric shock.
-  Immediately remove the mains plug from the mains if the mains cable becomes damaged and during cleaning and maintenance.
-  Wear safety goggles.
-  Wear hearing protection.
-  Wear a dust mask.
-  Class II machine - Double insulation - You don't need any earthed plug.
-  Variable electronic speed.
-  Rotation, left/right.
-  Do not dispose of the product in unsuitable containers.
-  The product is in accordance with the applicable safety standards in the European directives.

## GENERAL POWER TOOL SAFETY WARNINGS

 **WARNING! Read all safety warnings and all instructions.** Failure to follow the warnings and instructions may result in electric shock, fire and/or serious injury.

**Save all warnings and instructions for future reference.** The term “power tool” in the warnings refers to your mains-operated (corded) power tool or battery-operated (cordless) power tool.

- 1) Work area safety**
  - a) **Keep the work area clean and well lit.** Cluttered or dark areas invite accidents.
  - b) **Do not operate power tools in explosive atmospheres, such as in the presence of flammable liquids, gases or dust.** Power tools create sparks which may ignite the dust or fumes.
  - c) **Keep children and bystanders away while operating a power tool.** Distractions can cause you to lose control.
- 2) Electrical safety**
  - a) **Power tool plugs must match the outlet. Never modify the plug in any way. Do not use any adapter plugs with earthed (grounded) power tools.** Unmodified plugs and matching outlets will reduce risk of electric shock.
  - b) **Avoid body contact with earthed or grounded surfaces, such as pipes, radiators, ranges and refrigerators.** There is an increased risk of electric shock if your body is earthed or grounded.
  - c) **Do not expose power tools to rain or wet conditions.** Water entering a power tool will increase the risk of electric shock.
  - d) **Do not abuse the cord. Never use the cord for carrying, pulling or unplugging the power tool. Keep cord away from heat, oil, sharp edges or moving parts.** Damaged or entangled cords increase the risk of electric shock.
  - e) **When operating a power tool outdoors, use an extension cord suitable for outdoor use.** Use of a cord suitable for outdoor use reduces the risk of electric shock.
  - f) **If operating a power tool in a damp location is unavoidable, use a residual current device (RCD) protected supply.** Use of an RCD reduces the risk of electric shock.
- 3) Personal safety**
  - a) **Stay alert, watch what you are doing and use common sense when operating a power tool. Do not use a power tool while you are tired or under the influence of drugs, alcohol or medication.** A moment of inattention while operating power tools may result in serious personal injury.

- b) **Use personal protective equipment. Always wear eye protection.** Protective equipment such as dust mask, non-skid safety shoes, hard hat, or hearing protection used for appropriate conditions will reduce personal injuries.
  - c) **Prevent unintentional starting. Ensure the switch is in the off-position before connecting to power source and/or battery pack, picking up or carrying the tool.** Carrying power tools with your finger on the switch or energising power tools that have the switch on invites accidents.
  - d) **Remove any adjusting key or wrench before turning the power tool on.** A wrench or a key left attached to a rotating part of the power tool may result in personal injury.
  - e) **Do not overreach. Keep proper footing and balance at all times.** This enables better control of the power tool in unexpected situations.
  - f) **Dress properly. Do not wear loose clothing or jewellery. Keep your hair, clothing and gloves away from moving parts.** Loose clothes, jewellery or long hair can be caught in moving parts.
  - g) **If devices are provided for the connection of dust extraction and collection facilities, ensure these are connected and properly used.** Use of dust collection can reduce dust related hazards.
  - h) **Do not let familiarity gained from frequent use of tools allow you to become complacent and ignore tool safety principles.** A careless action can cause severe injury within a fraction of a second.
- 4) Power tool use and care**
- a) **Do not force the power tool. Use the correct power tool for your application.** The correct power tool will do the job better and safer at the rate for which it was designed.
  - b) **Do not use the power tool if the switch does not turn it on and off.** Any power tool that cannot be controlled with the switch is dangerous and must be repaired.
  - c) **Disconnect the plug from the power source and/or the battery pack from the power tool before making any adjustments, changing accessories, or storing power tools.** Such preventive safety measures reduce the risk of starting the power tool accidentally.
  - d) **Store idle power tools out of the reach of children and do not allow persons unfamiliar with the power tool or these instructions to operate the power tool.** Power tools are dangerous in the hands of untrained users.
- e) **Maintain power tools. Check for misalignment or binding of moving parts, breakage of parts and any other condition that may affect the power tool's operation. If damaged, have the power tool repaired before use.** Many accidents are caused by poorly maintained power tools.
  - f) **Keep cutting tools sharp and clean.** Properly maintained cutting tools with sharp cutting edges are less likely to bind and are easier to control.
  - g) **Use the power tool, accessories and tool bits etc. in accordance with these instructions, taking into account the working conditions and the work to be performed.** Use of the power tool for operations different from those intended could result in a hazardous situation.
  - h) **Keep handles and grasping surfaces dry, clean and free from oil and grease.** Slippery handles and grasping surfaces do not allow for safe handling and control of the tool in unexpected situations.
- 5) Service**
- a) **Have your power tool serviced by a qualified repair person using only identical replacement parts.** This will ensure that the safety of the power tool is maintained.
- ADDITIONAL SAFETY WARNINGS FOR IMPACT DRILLS**
-  *This machine is suitable for light work. Do not overload the machine.*
- a) **Wear ear protectors when impact drilling.** Exposure to noise can cause hearing loss.
  - b) **Use auxiliary handle(s), if supplied with the tool.** Loss of control can cause personal injury.
  - c) **Hold power tool by insulated gripping surfaces, when performing an operation where the cutting accessory may contact hidden wiring or its own cord.** Cutting accessory contacting a "live" wire may make exposed metal parts of the power tool "live" and could give the operator an electric shock.
- Electrical safety**
- When using electric machines always observe the safety regulations applicable in your country to reduce the risk of fire, electric shock and personal injury. Read the following safety instructions and also the enclosed safety instructions.



Always check that the power supply corresponds to the voltage on the rating plate.



Class II machine - Double insulation - You don't need any earthed plug

If operating a power tool in a damp location is unavoidable, use a residual current device (RCD) protected supply. Use of an RCD reduces the risk of electric shock.

## 2. MACHINE INFORMATION

### Intended use

Your impact drill has been designed for drilling holes in wood, metal and plastics and for hammer drilling in brick and concrete.

### TECHNICAL SPECIFICATIONS

Model No.	ID503AC	
Mains voltage	220-240 V~	
Mains frequency	50/60 Hz	
Power input	1100W	
No-load speed (1)	0-1.200/min	
No-load speed (2)	0-3.100/min	
Impact rate (1)	0-19.200/min	
Impact rate (2)	0-49.600/min	
Chuck size	13 mm	
Max. drill diameter	Wood	30 mm
	Concrete	20 mm
	Steel	13 mm
Weight	3.3 kg	
Sound pressure level $L_{pA}$	94 + 3 dB(A)	
Sound power level $L_{WA}$	105 + 3 dB(A)	
Drilling into metal, $a_{h,D}$	4.156 + 1.5 m/s <sup>2</sup>	
Impact drilling into concrete, $a_{h,ID}$	11.897 + 1.5 m/s <sup>2</sup>	

### Vibration level

The vibration emission level stated in this instruction manual has been measured in accordance with a standardized test given in EN62841; it may be used to compare one tool with another and as a preliminary assessment of exposure to vibration when using the tool for the applications mentioned.

- Using the tool for different applications, or with

different or poorly maintained accessories, may significantly increase the exposure level.

- The times when the tool is switched off or when it is running but not actually doing the job, may significantly reduce the exposure level.

Protect yourself against the effects of vibration by maintaining the tool and its accessories, keeping your hands warm, and organizing your work patterns.

### DESCRIPTION

The numbers in the text refer to the diagrams on page 2.

#### Fig. A

- Chuck
- Function selection switch
- Depth stop
- Lock-on button
- On/Off switch
- Speed adjustment wheel
- Left/right rotation switch
- Gear selection switch
- Side handle

#### Fig. B

- Rear sleeve
- Front sleeve

## 3. ASSEMBLY

### Mounting and removing the auxiliary grip (Fig. A)

#### Mounting

- Loosen the auxiliary grip (9).
- Slide the auxiliary grip (9) over the chuck (1).
- Turn the auxiliary grip (9) to the required position.
- Tighten the auxiliary grip (9).

#### Removing

- Loosen the auxiliary grip (9).
- Remove the auxiliary grip (9) from the chuck (1).

### Exchanging and removing drill bits (Fig. A - B)

The machine is suitable for use of the following drill bits:

- Wood (HSS)
- Metal (HSS)
- Concrete / masonry (hard metal)



Before exchanging bits, first remove the power plug from the wall socket.



*Inspect bits regularly during use. Blunt bits should be re-sharpened or replaced.*

- Open the chuck (1) by turning the front sleeve (11) clockwise while simultaneously holding the rear sleeve (10) or turning it counterclockwise and insert the bit into the chuck opening.
- Tighten the bit by turning the front sleeve (11) counterclockwise while simultaneously holding the rear sleeve (10) or turning it clockwise.

#### Setting depth stop (Fig. A)

- Insert the depth stop (3) in the hole in the side handle ring.
- Slide the ruler to the desired depth.

## 4. OPERATIONS



*Impact drills require very little operator pressure. Excessive pressure on the tool can lead to unnecessary overheating of the motor, and burning of the driven tool.*

#### The On/Off switch (Fig. A)

- Switch the machine on by pressing the On/Off switch (5). When you release the On/Off switch (5) the machine will turn off.
- The rotation-speed can be adjusted by pressing the On/Off switch (5) harder for raising the rotation-speed or release pressure for lowering the rotation-speed.

#### Lock-on Button (Fig. A)

- You can lock the On/Off switch (5) by pressing the On/Off switch (5) and then pressing the lock-on button (4).
- To release the switch-lock; shortly press the On/Off switch (5) again.

#### Adjusting of the maximum rotation speed (Fig. A)

- Adjust the speed by turning the speed adjustment wheel (6) to the desired maximum rotation speed.

#### Switching the direction of rotation (Fig. A)



*Do not change the direction of rotation during use.*

- Direction of rotation counterclockwise: shift left/right rotation switch (7) to "L".

- Direction of rotation clockwise: shift left/right rotation switch (7) to "R".

#### Function selection switch (Fig. A)



*In order to avoid damage to the machine, adjusting the function selection switch (2) shall only be done when machine is not running.*

- Set the function selection switch (2) to "▲" for drilling.
- Set the function selection switch (2) to "■" for hammer drilling.

#### Gear selection switch (Fig. A)



*In order to avoid damage to the machine, adjusting the gear selection switch (8) shall only be done when machine is not running.*

- If you set the gear selection switch (8) to position "1", the drilling speed can be adjusted between 0 and 1,200 /min.
- If you set the gear selection switch (8) to position "2", the drilling speed can be adjusted between 0 and 3,100 /min.
- When the gear selection switch (8) cannot switch easily between "1" and "2", give the chuck (1) a little spin by using your hands. This will help the gears fall into the correct position and makes switching the gears easier.

#### User tips

Always use the machine with the side handle firmly anchored in place - you will not only work with more comfort, you will also work with more precision.



*Caution: drilling bits and hammer drilling bits can get very hot.*

#### Drilling and hammer drilling

- For large holes, for instance in very hard concrete, start using a smaller bit for pilot drilling first, then drill to nominal size.
- Hold the machine firmly with 2 hands. Be aware the drill can jam and because of that machine might suddenly turn (Especially when drilling deep holes).
- Do not apply a lot of pressure on the machine, let the machine do the work.

## 5. MAINTENANCE



*Make sure that the machine is not live when carrying out maintenance work on the motor.*

Clean the machine casings regularly with a soft cloth, preferably after each use. Make sure that the ventilation openings are free of dust and dirt. Remove very persistent dirt using a soft cloth moistened with soapsuds. Do not use any solvents such as gasoline, alcohol, ammonia, etc. Chemicals such as these will damage the synthetic components.

## ENVIRONMENT



*Faulty and/or discarded electrical or electronic apparatus have to be collected at the appropriate recycling locations.*

### Only for EC countries

Do not dispose of power tools into domestic waste. According to the European Guideline 2012/19/EC for Waste Electrical and Electronic Equipment and its implementation into national right, power tools that are no longer usable must be collected separately and disposed of in an environmentally friendly way.

## WARRANTY

VONROC products are developed to the highest quality standards and are guaranteed free of defects in both materials and workmanship for the period lawfully stipulated starting from the date of original purchase. Should the product develop any failure during this period due to defective material and/or workmanship then contact VONROC directly.

The following circumstances are excluded from this guarantee:

- Repairs and or alterations have been made or attempted to the machine by unauthorized service centers;
- Normal wear and tear;
- The tool has been abused, misused or improperly maintained;
- Non-original spare parts have been used.

This constitutes the sole warranty made by company either expressed or implied. There are no other

warranties expressed or implied which extend beyond the face hereof, herein, including the implied warranties of merchantability and fitness for a particular purpose. In no event shall VONROC be liable for any incidental or consequential damages. The dealers remedies shall be limited to repair or replacement of nonconforming units or parts.

**The product and the user manual are subject to change. Specifications can be changed without further notice.**

## 1. SICHERHEITSANWEISUNGEN

Lesen Sie die beiliegenden Sicherheitsanweisungen, die zusätzlichen Sicherheitsanweisungen sowie diese Bedienungsanleitung sorgfältig durch. Bei Nichtbeachten der Sicherheitsanweisungen und der Bedienungsanleitung kann es zu einem Stromschlag, einem Brand und/oder schweren Verletzungen kommen. Bewahren Sie die Sicherheitsanweisungen und die Bedienungsanleitung zur künftigen Bezugnahme sicher auf.

Folgende Symbole werden im Benutzerhandbuch oder auf dem Produkt verwendet:



*Benutzerhandbuch/Bedienungsanleitung lesen.*



*Lebens- und Verletzungsgefahr und Gefahr von Beschädigungen am Werkzeug/Gerät bei Nichteinhaltung der Anweisungen in dieser Bedienungsanleitung.*



*Gefahr eines Stromschlags.*



*Ziehen Sie sofort den Netzstecker aus der Steckdose, falls das Netzkabel beschädigt wird sowie bei der Reinigung und Wartung.*



*Tragen Sie eine Schutzbrille.  
Tragen Sie einen Gehörschutz.*



*Tragen Sie eine Staubmaske.*



*Werkzeug/Gerät der Schutzklasse II - schutzisoliert - kein Schutzkontaktanschluss erforderlich.*



*Elektronische Drehzahlregelung.*



*Drehrichtung, links/rechts.*



*Produkt vorschriftsmäßig entsorgen, nicht über den Hausmüll.*



*Das Produkt entspricht den geltenden Sicherheitsnormen der europäischen Richtlinien.*

### ALLGEMEINE SICHERHEITSHINWEISE



**ACHTUNG! Lesen Sie alle Sicherheitshinweise und Anweisungen.** Fehler bei der Einhaltung der nachstehend aufgeführten Anweisungen können elektrischen Schlag, Brand und/oder schwere Verletzungen verursachen.

#### Bewahren Sie diese Anweisungen gut auf.

Der nachfolgend verwendete Begriff „Elektrowerkzeug“ bezieht sich auf netzbetriebene Elektrowerkzeuge (mit Netzkabel) und akkubetriebene Elektrowerkzeuge (ohne Netzkabel).

#### 1) Arbeitsplatz

- a) **Halten Sie Ihren Arbeitsbereich sauber und aufgeräumt.** Unordnung und unbeleuchtete Arbeitsbereiche können zu Unfällen führen.
- b) **Arbeiten Sie mit dem Gerät nicht in explosionsgefährdeter Umgebung, in der sich brennbare Flüssigkeiten, Gase oder Staub befinden.** Elektrowerkzeuge erzeugen Funken, die den Staub oder die Dämpfe entzünden können.
- c) **Halten Sie Kinder und andere Personen während der Benutzung des Elektrowerkzeugs fern.** Bei Ablenkung können Sie die Kontrolle über das Gerät verlieren.

#### 2) Elektrische Sicherheit

- a) **Der Anschlussstecker des Gerätes muss in die Steckdose passen. Der Netzstecker darf in keiner Weise verändert werden. Verwenden Sie keine Adapterstecker gemeinsam mit schutzgeerdeten Geräten. Unveränderte Netzstecker** und passende Steckdosen verringern das Risiko eines elektrischen Schlages.
- b) **Vermeiden Sie Körperkontakt mit geerdeten Oberflächen, wie von Rohren, Heizungen, Herden und Kühlschränken.** Es besteht ein erhöhtes Risiko durch elektrischen Schlag, wenn Ihr Körper geerdet ist.
- c) **Halten Sie das Gerät von Regen oder Nässe fern.** Das Eindringen von Wasser in ein Elektrogerät erhöht das Risiko eines elektrischen Schlages.
- d) **Zweckentfremden Sie das Netzkabel nicht, um das Gerät zu tragen, aufzuhängen oder um den Netzstecker aus der Steckdose**



**zu ziehen. Halten Sie das Netzkabel fern von Hitze, Öl, scharfen Kanten oder sich bewegenden Geräteteilen.** Beschädigte oder verwickelte Netzkabel erhöhen das Risiko eines elektrischen Schlages.

- e) **Wenn Sie mit einem Elektrowerkzeug im Freien arbeiten, verwenden Sie nur Verlängerungskabel, die auch für den Außenbereich zugelassen sind.** Die Anwendung eines für den Außenbereich geeigneten Verlängerungskabels verringert das Risiko eines elektrischen Schlages.
- f) **Wenn sich Arbeiten mit einem Elektrowerkzeug in feuchten Umgebungen nicht vermeiden lassen, verwenden Sie eine Stromversorgung mit einer Fehlerstrom-Schutzeinrichtung (RCD).** Durch die Verwendung einer RCD wird die Gefahr eines elektrischen Schlags verringert.

### 3) Sicherheit von Personen

- a) **Seien Sie aufmerksam. Achten Sie darauf, was Sie tun, und gehen Sie mit Vernunft an die Arbeit mit einem Elektrowerkzeug. Benutzen Sie das Gerät nicht, wenn Sie müde sind oder unter dem Einfluss von Drogen, Alkohol oder Medikamenten stehen.** Ein Moment der Unachtsamkeit beim Gebrauch des Gerätes kann zu ernsthaften Verletzungen führen.
- b) **Tragen Sie persönliche Schutzausrüstung und immer eine Schutzbrille.** Das Tragen persönlicher Schutzausrüstung, wie Staubmaske, rutschfeste Sicherheitsschuhe, Schutzhelm oder Gehörschutz, je nach Art und Einsatz des Elektrowerkzeuges, verringert das Risiko von Verletzungen.
- c) **Vermeiden Sie eine unbeabsichtigte Inbetriebnahme. Vergewissern Sie sich, dass der Schalter in der Position „AUS(0)“ ist, bevor Sie den Netzstecker in die Steckdose stecken.** Wenn Sie beim Tragen des Gerätes den Finger am Schalter haben oder das Gerät eingeschaltet an die Stromversorgung anschließen, kann dies zu Unfällen führen.
- d) **Entfernen Sie Einstellwerkzeuge oder Schraubenschlüssel, bevor Sie das Gerät einschalten.** Ein Werkzeug oder Schlüssel, der sich in einem drehenden Geräteteil befindet, kann zu Verletzungen führen.
- e) **Überschätzen Sie sich nicht. Sorgen Sie für einen sicheren Stand und halten Sie jederzeit**

**das Gleichgewicht.** Dadurch können Sie das Gerät in unerwarteten Situationen besser kontrollieren.

- f) **Tragen Sie geeignete Kleidung. Tragen Sie keine weite Kleidung oder Schmuck. Halten Sie Haare, Kleidung und Handschuhe fern von sich bewegenden Teilen.** Lockere Kleidung, Schmuck oder lange Haare können von sich bewegenden Teilen erfasst werden.
- g) **Wenn Staubabsaug- und -auffangeinrichtungen montiert werden können, vergewissern Sie sich, dass diese angeschlossen sind und richtig verwendet werden.** Das Verwenden dieser Einrichtungen verringert Gefährdungen durch Staub.
- h) **Achten Sie darauf, nicht durch häufigen Gebrauch von Werkzeugen nachlässig zu werden und die Prinzipien zum sicheren Umgang mit den Werkzeugen zu ignorieren.** Eine unachtsame Handlung kann innerhalb von Sekundenbruchteilen schwere Verletzungen verursachen.
- 4) **Sorgfältiger Umgang und Gebrauch von Elektrowerkzeugen**
- a) **Überlasten Sie das Gerät nicht. Verwenden Sie für Ihre Arbeit das dafür bestimmte Elektrowerkzeug.** Mit dem passenden Elektrowerkzeug arbeiten Sie besser und sicherer im angegebenen Leistungsbereich.
- b) **Benutzen Sie kein Elektrowerkzeug, dessen Schalter defekt ist.** Ein Elektrowerkzeug, das sich nicht mehr ein- oder ausschalten lässt, ist gefährlich und muss repariert werden.
- c) **Ziehen Sie den Netzstecker aus der Steckdose, bevor Sie Geräteeinstellungen vornehmen, Zubehörteile wechseln oder das Gerät weglegen.** Diese Vorsichtsmaßnahme verhindert den unbeabsichtigten Start des Geräts.
- d) **Bewahren Sie unbenutzte Elektrowerkzeuge außerhalb der Reichweite von Kindern auf. Lassen Sie Personen das Gerät nicht benutzen, die mit diesem nicht vertraut sind oder diese Anweisungen nicht gelesen haben.** Elektrowerkzeuge sind gefährlich, wenn Sie von unerfahrenen Personen benutzt werden.
- e) **Pflegen Sie das Gerät mit Sorgfalt. Kontrollieren Sie, ob bewegliche Geräteteile einwandfrei funktionieren und nicht klemmen, ob Teile gebrochen oder so beschädigt sind,**

**dass die Funktion des Gerätes beeinträchtigt ist. Lassen Sie beschädigte Teile vor dem Einsatz des Gerätes reparieren.** Viele Unfälle haben ihre Ursache in schlecht gewarteten Elektrowerkzeugen.

- f) **Halten Sie Schneidwerkzeuge scharf und sauber.** Sorgfältig gepflegte Schneidwerkzeuge mit scharfen Schneidkanten verklemmen sich weniger und sind leichter zu führen.
- g) **Verwenden Sie Elektrowerkzeug, Zubehör, Einsatzwerkzeuge usw. entsprechend diesen Anweisungen und so, wie es für diesen speziellen Gerätetyp vorgeschrieben ist. Berücksichtigen Sie dabei die Arbeitsbedingungen und die auszuführende Tätigkeit.** Der Gebrauch von Elektrowerkzeugen für andere als die vorgesehenen Anwendungen kann zu gefährlichen Situationen führen.
- h) **Halten Sie Griffe und Greifflächen immer trocken, sauber und frei von Öl und Fett.** Rutschige Griffe und Greifflächen verhindern in unerwarteten Situationen den sicheren Umgang mit dem Werkzeug und die richtige Kontrolle darüber.

## 5) Service

- a) **Lassen Sie Ihre Werkzeuge durch einen qualifizierten Reparaturtechniker ausschließlich mit identischen Ersatzteilen warten.** So lässt sich eine gleich bleibende Sicherheit des Elektrowerkzeugs gewährleisten.

## ZUSÄTZLICHE SICHERHEITSHINWEISE FÜR SCHLAGBOHRMASCHINEN



*Diese Maschine ist für leichte Arbeiten geeignet. Überlasten Sie die Maschine nicht.*

- a) **Beim Schlagbohren Gehörschutz tragen.** Lärmbelastung kann zu Hörschäden und sogar Hörverlust führen.
- b) **Wenn Seitengriffe zum Lieferumfang des Werkzeugs gehören, müssen diese verwendet werden.** Ein Kontrollverlust über das Werkzeug kann zu Verletzungen führen.
- c) **Halten Sie das Elektrowerkzeug an den isolierten Griffflächen, wenn Sie Arbeiten durchführen, bei denen das Schneidwerkzeug in Kontakt mit verborgenen Elektroleitungen oder dem eigenen Netzkabel kommen kann.** Bei Kontakt des Schneidwerkzeugs mit einem

stromführenden Kabel wird der Strom an die Metallteile des Elektrowerkzeugs und dadurch an den Bediener weitergeleitet, und der Bediener erleidet einen Stromschlag.

## Elektrische Sicherheit

Beachten beim Benutzen von Elektromaschinen immer die örtlichen Sicherheitsvorschriften bezüglich Feuerrisiko, Elektroschock und Verletzung. Lesen Sie außer den folgenden Hinweisen ebenfalls die Sicherheitsvorschriften im einschlägigen Sonder- teil.



*Überprüfen Sie immer, ob Ihre Netzspannung der des Typenschildes entspricht.*



*Gerät der Schutzklasse II - schutzisoliert - kein Schutzkontakt erforderlich.*

Wenn sich Arbeiten mit einem Elektrowerkzeug in feuchten Umgebungen nicht vermeiden lassen, verwenden Sie eine Stromversorgung mit einer Fehlerstrom-Schutzeinrichtung (RCD). Durch die Verwendung einer RCD wird die Gefahr eines elektrischen Schlags verringert.

## 2. ANGABEN ZUM WERKZEUG

### Verwendungszweck

Diese Schlagbohrmaschine wurde zur Bohrung von Löchern in Holz, Metall und Kunststoff entwickelt sowie für Hammerbohren in Ziegelstein und Beton.

### TECHNISCHE DATEN

Modellnummer	ID503AC	
Netzspannung	220-240 V~	
Netzfrequenz	50/60 Hz	
Leistungsaufnahme	1100W	
Drehzahl, ohne Last (1)	0-1.200/min	
Drehzahl, ohne Last (2)	0-3.100/min	
Schlagzahl (1)	0-19.200/min	
Schlagzahl (2)	0-49.600/min	
Futter-Größe	13 mm	
Max. Bohrdurchmesser	Holz	30 mm
	Beton	20 mm
	Stahl	13 mm

Gewicht	3,3 kg
Schalldruckpegel $L_{pA}$	94 + 3 dB(A)
Schalleistungspegel $L_{WA}$	105 + 3 dB(A)
Bohren in Metall, $a_{h,D}$	4,156 + 1,5 m/s <sup>2</sup>
Schlagbohren in Beton, $a_{h,D}$	11,897 + 1,5 m/s <sup>2</sup>

### Vibrationsintensität

Die in dieser Bedienungsanleitung angegebene Vibrationsintensität wurde mit einem standardisierten Test gemäß EN62841 gemessen. Anhand dieser Größe können Werkzeuge miteinander verglichen werden. Außerdem eignet sich diese Größe für eine erste Beurteilung der Vibrationsbelastung bei Verwendung des Werkzeugs für die angegebenen Anwendungszwecke.

- Bei Verwendung des Werkzeugs für andere Anwendungen oder mit anderem oder unzureichend gewartetem Zubehör kann sich die Vibrationsbelastung erheblich erhöhen.
- Wenn das Werkzeug ausgeschaltet ist, oder wenn es eingeschaltet ist, jedoch nicht genutzt wird, kann sich die Vibrationsbelastung erheblich verringern.

Schützen Sie sich vor den Auswirkungen der Vibration durch Wartung des Werkzeugs und des Zubehörs, halten Sie Ihre Hände warm, und organisieren Sie Ihren Arbeitsablauf.

### BESCHREIBUNG

Die Buchstaben und Ziffern im folgenden Text verweisen auf die Abbildungen auf Seite 2.

#### Abb. A

1. Bohrfutter
2. Funktionsauswahlschalter
3. Tiefenanschlag
4. Feststelltaste
5. Ein-/Ausschalter
6. Drehzahleinstellrad
7. Links-/Rechtsdreheschalter
8. Gangwahlschalter
9. Seitengriff

#### Abb. B

10. Hintere Hülse
11. Vordere Hülse

## 3. ZUSAMMENBAU

### Anbringen und Entfernen des Zusatzhandgriffs (Abb. A)

#### Anbringen

- Lösen Sie den Zusatzhandgriff (9).
- Schieben Sie den Zusatzhandgriff (9) über das Spannfutter (1).
- Drehen Sie den Zusatzhandgriff (9) in die erforderliche Position.
- Ziehen Sie den Zusatzhandgriff (9) an.

#### Entfernen

- Lösen Sie den Zusatzhandgriff (9).
- Entfernen Sie den Zusatzhandgriff (9) vom Spannfutter (1).

### Einsetzen und Entfernen von Bohreinsätzen (Abb. A - B)

Die Maschine ist für den Gebrauch folgender Bohrer-Bits geeignet:

- Holz (HSS)
- Metall (HSS)
- Beton/Mauerwerk (Hartmetall)



*Bevor Sie Bohreinsätze austauschen, entfernen Sie als erstes das Netzkabel von der Steckdose.*



*Überprüfen Sie die Bohreinsätze regelmäßig während des Gebrauchs. Stumpfe Bohreinsätze müssen geschärft oder ausgetauscht werden.*

- Öffnen Sie das Bohrfutter (1) durch Drehen der vorderen Hülse (11) im Uhrzeigersinn, während Sie gleichzeitig die hintere Hülse (10) in der Stellung halten oder gegen den Uhrzeigersinn drehen. Führen Sie den Bohreinsatz in die Bohrfutteröffnung ein.
- Befestigen Sie den Bohreinsatz durch Drehen der vorderen Hülse (11) gegen den Uhrzeigersinn, während Sie gleichzeitig die hintere Hülse (10) in der Stellung halten oder im Uhrzeigersinn drehen.

### Einstellen des Tiefenanschlags (Abb. A)

- Führen Sie den Tiefenanschlag (3) in die Öffnung im Seitengriff ein.
- Schieben Sie den Tiefenanschlag bis zur gewünschten Tiefe.

## 4. BETRIEB



Schlagbohren erfordert eine äußerst geringe Druckausübung durch den Bediener. Wird ein übermäßig hoher Druck auf das Gerät ausgeübt, kann dies zu Überhitzung des Motors und zum Verbrennen des angetriebenen Werkzeugs führen.

### Ein-/Ausschalter (Abb. A)

- Schalten Sie die Maschine durch Drücken des Ein-/Ausschalters (5) ein. Wenn Sie den Ein-/Ausschalter (5) loslassen, schaltet sich das Gerät aus.
- Die Drehzahl kann kontinuierlich durch den Druck, der auf den Ein-/Ausschalter (5) ausgeübt wird, eingestellt werden: Stärkerer Druck führt zu einer höheren Drehzahl und geringerer Druck zu einer niedrigeren Drehzahl.

### Feststellaste (Abb. A)

- Sie können den Ein-/Ausschalter (5) durch Drücken des Ein-/Ausschalters (5) und anschließend der Feststellaste (4) sperren.
- Drücken Sie zum Lösen der Verriegelung ein weiteres Mal kurz auf den Ein-/Ausschalter (5).

### Einstellen der maximalen Drehzahl (Abb. A)

- Passen Sie die Drehzahl an, indem Sie das Drehzahleinstellrad (6) auf die gewünschte Drehzahl einstellen.

### Wechseln der Drehrichtung (Abb. A)



Ändern Sie während des Betriebs nicht die Drehrichtung.

- Drehrichtung gegen den Uhrzeigersinn: Verschieben Sie den Links-/Rechtsdreheschalter (7) nach "L".
- Drehrichtung im Uhrzeigersinn: Verschieben Sie den Links-/Rechtsdreheschalter (7) nach "R".

### Funktionsauswahlschalter (Abb. A)



Um Geräteschäden zu vermeiden, darf der Funktionsauswahlschalter (2) nur betätigt werden, wenn das Gerät nicht betrieben wird.

- Stellen Sie den Funktionsauswahlschalter (2) zum Bohren auf "▲▼".
- Stellen Sie den Funktionsauswahlschalter (2) zum Schlagbohren auf "■".

### Gangwahlschalter (Abb. A)



Um Geräteschäden zu vermeiden, darf der Gangwahlschalter (8) nur betätigt werden, wenn das Gerät nicht betrieben wird.

- Wenn Sie den Gangwahlschalter (8) auf die Stufe „1“ einstellen, kann die Bohrdrehzahl zwischen 0 und 1,200/min eingestellt werden.
- Wenn Sie den Gangwahlschalter (8) auf die Stufe „2“ einstellen, kann die Bohrdrehzahl zwischen 0 und 3,100/min eingestellt werden.
- Wenn Sie Schwierigkeiten haben den Gangwahlschalter (8) von „1“ auf „2“ zu stellen, drehen Sie das Bohrfutter (1) leicht mit der Hand. Dadurch rasten die Zahnräder besser in die richtige Stellung ein und der Gangwechsel wird erleichtert.

### Tipps für die Benutzung

Verwenden Sie das Gerät immer mit fest verankertem Seitengriff. Die Bedienung ist komfortabler und die Ausführung präziser.



Achtung: Die Bohr- und Schlagbohreinsätze können sehr heiß werden

### Bohren und Hammerbohren

- Führen Sie zum Bohren von großen Löchern, zum Beispiel in sehr hartem Beton, zuerst eine Testbohrung aus, indem Sie einen kleineren Bohreinsatz verwenden. Bohren Sie anschließend mit der Nenngröße.
- Halten Sie das Gerät fest in beiden Händen. Beachten Sie, dass es zu einer Blockade des Bohrers kommen kann, wodurch sich das Gerät eventuell plötzlich dreht (besonders beim Bohren von tiefen Löchern).
- Üben Sie keinen starken Druck auf das Gerät aus. Lassen Sie das Gerät die Arbeit verrichten.

## 5. WARTUNG



Trennen Sie die Maschine vom Netz, wenn Sie am Mechanismus Wartungsarbeiten ausführen müssen.

Reinigen Sie das Werkzeuggehäuse regelmäßig mit einem weichen Lappen, vorzugsweise nach jeder Verwendung. Stellen Sie sicher, dass die Lüftungsöffnungen frei von Staub und Schmutz sind. Entfernen Sie anhaftenden Schmutz mit einem wei-

chen Lappen, der leicht mit Seifenwasser befeuchtet wurde. Verwenden Sie keine Lösungsmittel wie Benzin, Alkohol, Ammoniak usw., da Chemikalien dieser Art die Kunststoffteile beschädigen.

## UMWELTSCHUTZ



*Schadhafte und/oder zu entsorgende elektrische oder elektronische Werkzeuge und Geräte müssen an den dafür vorgesehenen Recycling-Stellen abgegeben werden.*

### Nur für EG-Länder

Entsorgen Sie Elektrowerkzeuge nicht über den Hausmüll. Entsprechend der EU-Richtlinie 2012/19/EG über Elektro- und Elektronik-Altgeräte sowie der Umsetzung in nationales Recht müssen Elektrowerkzeuge, die nicht mehr im Gebrauch sind, getrennt gesammelt und umweltschonend entsorgt werden.

## GARANTIE

VONROC-Produkte werden nach den höchsten Qualitätsstandards entwickelt und sind für den gesetzlich festgelegten Zeitraum, ausgehend von dem ursprünglichen Kaufdatum, garantiert frei von Fehlern in Material und Ausführung. Sollte das Produkt in diesem Zeitraum aufgrund von Material- und/oder Verarbeitungsmängeln Fehler aufweisen, wenden Sie sich bitte direkt an VONROC Kundendienst.

Folgende Umstände sind von der Garantie ausgeschlossen:

- Reparaturen und oder Änderungen an der Maschine, die durch nicht-autorisierte Servicestellen vorgenommen oder versucht wurden.
- Normale Abnutzung und Verschleiß.
- Das Werkzeug wurde übermäßig beansprucht, missbräuchlich verwendet oder falsch gewartet.
- Es wurden keine Original-Ersatzteile verwendet.

Dies stellt die einzige Gewährleistung des Unternehmens dar, sowohl ausdrücklich als auch implizit. Es gibt keine anderen ausdrücklichen oder stillschweigenden Garantien, die über das hier Genannte hinausgehen, einschließlich der stillschweigenden Garantien der Marktgängigkeit oder Eignung für einen bestimmten Zweck. In keinem Fall ist VONROC

haftbar für Neben- oder Folgeschäden. Die Rechtsmittel des Händlers beschränken sich auf Reparatur oder Ersatz fehlerhafter Einheiten oder Teile.

**Am Produkt und am Benutzerhandbuch können Änderungen vorgenommen werden. Die technischen Daten können sich ohne Vorankündigung ändern.**

## 1. VEILIGHEIDSVOORSCHRIFTEN

Lees de bijgesloten veiligheidswaarschuwingen, de aanvullende veiligheidswaarschuwingen en de instructies. Het niet opvolgen van de veiligheidswaarschuwingen kan elektrische schokken, brand en/of ernstig letsel tot gevolg hebben. Bewaar de veiligheidswaarschuwingen en instructies als naslagwerk voor later.

De volgende symbolen worden gebruikt in de gebruikershandleiding of op het product:



*Lees de gebruikershandleiding.*



*Gevaar voor lichamelijk letsel, overlijden of schade aan de machine wanneer de instructies in deze handleiding niet worden opgevolgd.*



*Gevaar voor elektrische schokken.*



*Verwijder onmiddellijk de netstekker uit het stopcontact indien de netkabel beschadigd raakt en tijdens reiniging en onderhoud.*



*Draag een veiligheidsbril.  
Draag gehoorbescherming.*



*Draag een stofmasker.*



*Klasse II apparaat - Dubbel geïsoleerd - Een geaarde stekker is niet noodzakelijk.*



*Variabele elektronische snelheid.*



*Draairichting, links/rechts.*



*Werp het product niet weg in ongeschikte containers.*



*Het product is in overeenstemming met de van toepassing zijnde veiligheidsnormen in de Europese richtlijnen.*

### ALGEMENE VEILIGHEIDSVOORSCHRIFTEN



**WAARSCHUWING! Lees alle veiligheidswaarschuwingen en alle instructies.** Het niet opvolgen van onderstaande instructies kan leiden tot een elektrische schok, brand en/of ernstig persoonlijk letsel.

### Bewaar deze instructies.

De term “elektrisch gereedschap” in onderstaande waarschuwingen heeft betrekking op zowel apparatuur met een vaste elektriciteitskabel als op apparatuur met een accu (draadloze apparatuur).

#### 1) Werkgebied

- Zorg voor een opgeruimde en goed verlichte werkomgeving.** Rommelige en donkere werkomgevingen leiden tot ongelukken
- Gebruik elektrisch gereedschap nooit in een omgeving waar explosiegevaar bestaat, zoals in de nabijheid van ontvlambare vloeistoffen, gassen, dampen of andere stoffen.** Elektrische gereedschappen kunnen vonken veroorzaken, die deze stoffen tot ontbranding kunnen brengen.
- Wanneer u elektrisch gereedschap gebruikt, houd dan kinderen en omstanders op afstand.** Wanneer u wordt afgeleid, kunt u de controle over het gereedschap verliezen.

#### 2) Elektrische veiligheid

- Stekkers van elektrische gereedschappen moeten probleemloos passen op het stopcontact. Breng nooit wijzigingen aan in of aan de stekker. Gebruik geen adapters voor geaarde elektrische gereedschappen.** Standaardstekkers en passende stopcontacten verkleinen de kans op een elektrische schok.
- Voorkom lichamelijk contact met geaarde oppervlakken van bijvoorbeeld pijpen, leidingen, radiatoren, fornuizen en koelkasten.** Wanneer uw lichaam geaard is, wordt de kans op een elektrische schok groter.
- Stel elektrische gereedschappen nooit bloot aan regen of vocht.** Wanneer er water binnendringt in een elektrisch gereedschap, wordt de kans op een elektrische schok groter.
- Gebruik het snoer niet om het elektrisch gereedschap te dragen, te verplaatsen of de stekker uit het stopcontact te trekken. Bescherm het snoer tegen olie, warmte, scherpe randen en bewegende delen.** Beschadigde of vastzittende snoeren vergroten de kans op een elektrische schok.
- Wanneer u elektrische gereedschappen buiten gebruikt, gebruik dan een verlengkabel die geschikt is voor buitengebruik.** Door een kabel te gebruiken die geschikt is

voor buitengebruik, wordt de kans op een elektrische schok kleiner.

- f) **Gebruik een aardlekbeveiliging (RCD) als niet te voorkomen is dat een power tool moet worden gebruikt in een vochtige omgeving.** Gebruik van een RCD vermindert het risico van elektrische schokken.
- 3) Persoonlijke veiligheid**
- a) **Blijf altijd alert, kijk goed wat u doet en gebruik uw gezonde verstand wanneer u een elektrisch gereedschap gebruikt. Gebruik geen elektrische gereedschappen wanneer u moe bent, of drugs, alcohol of medicijnen hebt gebruikt.** Eén moment van onachtzaamheid bij het gebruik van elektrische gereedschappen kan ernstige verwondingen tot gevolg hebben.
- b) **Gebruik persoonlijke beschermingsmiddelen. Draag altijd een veiligheidsbril.** Een gepast gebruik van veiligheidsvoorzieningen, zoals een stof masker, speciale werkschoenen met antislipzolen, een veiligheidshelm en gehoorbescherming verkleinen de kans op persoonlijk letsel.
- c) **Voorkom dat het gereedschap per ongeluk wordt gestart. Zorg dat de schakelaar op de UITpositie staat, voordat u de stekker in het stopcontact steekt.** Draag elektrisch gereedschap nooit met uw vinger op de schakelaar en steek ook nooit de stekker van ingeschakelde elektrische gereedschappen in het stopcontact: dit leidt tot ongelukken.
- d) **Verwijder alle instel en andere sleutels uit het elektrisch gereedschap voordat u hem inschakelt.** Instel en andere sleutels aan een ronddraaiend onderdeel van het elektrisch gereedschap kunnen tot verwondingen leiden.
- e) **Zorg dat u nooit uw evenwicht kunt verliezen; houd altijd twee voeten stevig op de vloer.** Hierdoor kunt u het elektrisch gereedschap in onverwachte situaties beter onder controle houden.
- f) **Zorg dat u geschikte kleding draagt. Draag geen loshangende kleding of sieraden. Houd uw haar, kleding en handschoenen uit de buurt van bewegende delen.** Loshangende kleding, sieraden en lang haar kunnen vast komen te zitten in bewegende delen.
- g) **Wanneer er voorzieningen zijn voor de aansluiting van stofafzuiginstallaties, zorg dan dat ze op de juiste wijze worden aangesloten en gebruikt.** Gebruik van deze voorzieningen vermindert de gevaren die door stof worden veroorzaakt.
- h) **Denk niet dat doordat u gereedschap vaak gebruikt, u wel weet hoe het allemaal werkt en dat u de veiligheidsbeginselen voor het gebruik van het gereedschap wel kunt negeren.** Een onbezonnen actie kan in een fractie van een seconde ernstig letsel tot gevolg hebben.
- 4) Gebruik en onderhoud van elektrisch gereedschap**
- a) **Oefen geen overmatige kracht uit op elektrisch gereedschap. Gebruik het juiste gereedschap voor uw specifieke toepassing.** Met het juiste elektrische gereedschap voert u de taak beter en veiliger uit wanneer dit op de snelheid gebeurt waarvoor het apparaat is ontworpen.
- b) **Gebruik nooit elektrisch gereedschap waarvan de AAN/UITschakelaar niet werkt.** Ieder elektrisch gereedschap dat niet kan worden in en uitgeschakeld met de schakelaar is gevaarlijk en moet worden gerepareerd.
- c) **Trek de stekker uit het stopcontact voordat u wijzigingen aanbrengt aan elektrische gereedschappen, accessoires verwisselt of het elektrisch gereedschap opbergt.** Wanneer u zich aan deze preventieve veiligheidsmaatregelen houdt, beperkt u het risico dat het gereedschap per ongeluk wordt gestart.
- d) **Berg elektrisch gereedschap dat niet in gebruik is op buiten bereik van kinderen en laat personen die niet bekend zijn met het gereedschap of deze instructies het apparaat niet gebruiken.** Elektrisch gereedschap is gevaarlijk in de handen van ongeofende gebruikers.
- e) **Zorg voor een goed onderhoud van elektrisch gereedschap. Controleer of bewegende delen op de juiste wijze zijn vastgezet. Controleer ook of er geen onderdelen defect zijn of dat er andere omstandigheden zijn die van invloed kunnen zijn op de werking van het gereedschap. Laat het gereedschap bij beschadigingen repareren vóór gebruik.** Veel ongelukken worden veroorzaakt door slecht onderhoud van het gereedschap.
- f) **Zorg dat snij en zaagwerktuigen scherp en schoon blijven.** Goed onderhouden snij en zaagwerktuigen met scherpe randen zullen

minder snel vastlopen en zijn eenvoudiger onder controle te houden.

- g) **Gebruik alle elektrische gereedschappen, accessoires, bitjes etc., zoals aangegeven in deze instructies en op de wijze waarvoor het gereedschap is ontworpen. Houd daarbij rekening met de werkomstandigheden en de uit te voeren taak.** Gebruik van elektrisch gereedschap voor handelingen die afwijken van de taken waarvoor het apparaat is ontworpen kunnen leiden tot gevaarlijke situaties.
- h) **Houd handgrepen en greepoppervlakken droog, schoon en vrij van olie en vet.** Gladde handgrepen en greepoppervlakken maken veilig werken en controle over het gereedschap in onverwachte situaties onmogelijk.
- 5) **Service**
- a) **Laat uw gereedschap onderhouden door een gekwalificeerde onderhoudstechnicus die alleen gebruikmaakt van identieke vervangingsonderdelen.** Dit zorgt ervoor dat de veiligheid van de powertool intact blijft.

#### AANVULLENDE VEILIGHEIDSWAARSCHUWINGEN VOOR KLOPBOORMACHINES



*Deze machine is geschikt voor lichte werkzaamheden, de machine niet overbelasten.*

- a) **Draag gehoorbescherming bij gebruik klopboorfunctie.** Blootstelling aan lawaai kan tot gehoorbeschadiging leiden.
- b) **Gebruik de hulpgreep (-grepen), indien met de machine meegeleverd.** Verlies van controle over de machine kan lichamelijk letsel veroorzaken.
- c) **Houd de powertool vast aan de geïsoleerde handgrepen, omdat het snijhulpstuk in contact kan komen met niet zichtbare bedrading of met het netsnoer van de machine.** Wanneer het snijhulpstuk een onder spanning staande kabel raakt, kunnen de metalen delen van het apparaat onder spanning komen te staan waardoor de gebruiker een elektrische schok kan krijgen.

#### Elektrische veiligheid

Neem bij het gebruik van elektrische machines altijd de plaatselijk geldende veiligheidsvoorschriften in acht in verband met brandgevaar, gevaar voor elektrische schokken en lichamelijk letsel. Lees behalve onderstaande instructies ook de

veiligheidsvoorschriften in het apart bijgevoegde veiligheidskatern door.



*Controleer altijd of uw netspanning overeenkomt met de waarde op het typeplaatje.*



*Klasse II apparaat - Dubbel geïsoleerd - een geaarde stekker is niet noodzakelijk*

Gebruik een aardlekbeveiliging (RCD) als niet te voorkomen is dat een powertool moet worden gebruikt in een vochtige omgeving. Gebruik van een aardlekbeveiliging (RCD) verkleint het risico op elektrische schokken.

## 2. TECHNISCHE INFORMATIE

#### Bedoeld gebruik

Uw klopboormachine is ontworpen voor het boren van gaten in hout, metaal en kunststof en voor klopboren in baksteen en beton.

#### TECHNISCHE SPECIFICATIES

Modelnr.	ID503AC	
Netspanning	220-240 V~	
Netfrequentie	50/60 Hz	
Ingangsvermogen	1100W	
Onbelast toerental (1)	0-1.200/min	
Onbelast toerental (2)	0-3.100/min	
Aantal slagen (1)	0-19.200/min	
Aantal slagen (2)	0-49.600/min	
Grootte boorkop	13 mm	
Max. diameter boortje	Hout	30 mm
	Beton	20 mm
	Staal	13 mm
Gewicht	3,3 kg	
Geluidsdruk $L_{PA}$	94 + 3 dB(A)	
Geluidsvermogen $L_{WA}$	105 + 3 dB(A)	
Boren in metaal, $a_{h,D}$	4,156 + 1,5 m/s <sup>2</sup>	
Boren met klopboorfunctie in beton, $a_{h,ID}$	11,897 + 1,5 m/s <sup>2</sup>	

#### Trillingsniveau

Het trillingsemissieniveau, dat in deze gebruiksaanwijzing wordt vermeld, is gemeten in overeenstemming met een gestandaardiseerde test volgens EN62841;



deze mag worden gebruikt om twee machines met elkaar te vergelijken en als voorlopige beoordeling van de blootstelling aan trilling bij gebruik van de machine voor de vermelde toepassingen.

- Het gebruik van de machine voor andere toepassingen, of met andere of slecht onderhouden accessoires, kan het blootstellingsniveau aanzienlijk verhogen.
- Wanneer de machine is uitgeschakeld of wanneer deze loopt maar geen werk verricht, kan dit het blootstellingsniveau aanzienlijk reduceren.

Bescherm uzelf tegen de gevolgen van trilling door de machine en de accessoires te onderhouden, uw handen warm te houden en uw werkwijze te organiseren.

## BESCHRIJVING

De nummers in de tekst verwijzen naar de diagrammen op pagina 2.

### Afb. A

1. Boorkop
2. Functiekeuzeschakelaar
3. Diepteaanslag
4. Vergrendelingsknop
5. Aan/uit-schakelaar
6. Instelwiel voor toerental
7. Draairichtingschakelaar links/rechts
8. Keuzeschakelaar overbrenging
9. Zijgreep

### Afb. B

10. Achterste huls
11. Voorste huls

## 3. MONTAGE

### Monteren en verwijderen van de extra handgreep (Afb. A)

#### Monteren

- Draai de extra handgreep (9) los.
- Schuif de extra handgreep (9) over de spankop (1).
- Draai de extra handgreep (9) naar de gewenste positie.
- Draai de extra handgreep (9) vast.

#### Verwijderen

- Draai de extra handgreep (9) los.
- Verwijder de extra handgreep (9) van de spankop (1).

### Verwisselen en verwijderen van boren (Afb. A - B)

De machine is geschikt voor gebruik met de volgende boorbits:

- Hout (HSS)
- Metaal (HSS)
- Beton / metselwerk (hard metaal)



*Verwijder, voordat u boren verwisselt, de voedingsstekker uit het stopcontact.*



*Inspecteer de bits regelmatig tijdens het gebruik. Botte bits moeten opnieuw worden geslepen of vervangen.*

- Open de boorkop (1) door de voorste huls (11) rechtsom te draaien en ondertussen de achterste ring (10) vast te houden of linksom te draaien en het boortje in de boorkopopening te plaatsen.
- Draai het boortje vast door de voorste huls (11) linksom te draaien en ondertussen de achterste huls (10) vast te houden of rechtsom te draaien.

### De diepteaanslag instellen (Afb. A)

- Plaats de diepteaanslag (3) door het gat in de klem van de zijgreep.
- Stel de aanslag in op de gewenste boordiepte.

## 4. BEDIENING



*Klopboeren vereist weinig druk van de gebruiker. Overdadige druk kan er toe leiden dat de motor onnodig overbelast wordt en boren verbranden.*

### De aan/uit-schakelaar (Afb. A)

- Schakel de machine in door op de aan/uit-schakelaar (5) te drukken. Wanneer u de aan/uit-schakelaar (5) loslaat, wordt de machine uitgeschakeld.
- U kunt de draaisnelheid instellen door de aan/uit-schakelaar (5) harder in te drukken om de draaisnelheid te verhogen of minder in te drukken om de snelheid te verlagen.

### Vergrendelingsknop (Afb. A)

- U kunt de aan/uit-schakelaar (5) vergrendelen door de aan/uit-schakelaar (5) en vervolgens de vergrendelingsknop (4) in te drukken.
- Druk opnieuw op de aan/uit-schakelaar (5) om de schakelaar te ontgrendelen.

**Instellen van de maximum draaisnelheid (Afb. A)**

- Draai aan het instelwiel voor het toerental (6) om de gewenste maximale draaisnelheid in te stellen.

**De draairichting veranderen (Afb. A)**

*Verander de draairichting niet tijdens gebruik.*

- Voor draairichting linksom: schuif de draairichtingsschakelaar links / rechts (7) naar "L".
- Voor draairichting rechtsom: schuif de draairichtingsschakelaar links / rechts (7) naar "R".

**Functiekeuzeschakelaar (Afb. A)**

*Stel de functiekeuzeschakelaar (2) pas in als de machine stilstaat, anders beschadigt u de machine.*

- Zet de functiekeuzeschakelaar (2) op "▲" voor boren.
- Zet de functiekeuzeschakelaar (2) op "■" voor boren met klopboorfunctie.

**Keuzeschakelaar overbrenging (Afb. A)**

*Stel de keuzeschakelaar voor de overbrenging (8) alleen in als de machine stilstaat, anders beschadigt u de machine.*

- Indien u de keuzeschakelaar voor de overbrenging (8) op stand "1" zet, kunt u de boorsnelheid instellen tussen 0 en 1200 /min.
- Indien u de keuzeschakelaar voor de overbrenging (8) op stand "2" zet, kunt u de boorsnelheid instellen tussen 0 en 3100 /min.
- Wanneer het moeilijk is om de keuzeschakelaar voor de overbrenging (8) tussen "1" en "2" te schakelen, geeft u de boorkop (1) een draai met uw handen. Zo komen de tandwielen in de juiste stand en kunt u eenvoudiger schakelen.

**Tips voor de gebruiker**

Gebruik de machine alleen met een zijgreep die goed bevestigd is - u werkt daardoor niet alleen met meer gemak maar ook met meer precisie.



*Let op: (klop)boren kunnen erg heet worden*

**Boren met en zonder klopboorfunctie**

- Gebruik bij grote gaten in bijvoorbeeld zeer hard beton eerst een kleiner boortje om voor te boren,

vervolgens boort u op de gewenste grootte.

- Houd de machine stevig vast met twee handen. Let op: het boortje kan vastlopen, waardoor de boormachine plotseling kan gaan draaien (vooral bij het boren van diepe gaten).
- Oefen niet te veel druk uit op de machine; laat de machine het werk doen.

**5. ONDERHOUD**

*Schakel, voordat u met de reiniging en het onderhoud begint, altijd de machine uit en verwijder de netstekker uit het stopcontact.*

Reinig de machinebehuizing regelmatig met een zachte doek, bij voorkeur iedere keer na gebruik. Zorg dat de ventilatiesleuven vrij van stof en vuil zijn. Gebruik bij hardnekkig vuil een zachte doek bevochtigd met zeepwater. Gebruik geen oplosmiddelen als benzine, alcohol, ammonia, etc. Dergelijke stoffen beschadigen de kunststof onderdelen.

**MILIEU**

*Defecte en/of afgedankte elektrische of elektronische gereedschappen dienen ter verwerking te worden aangeboden aan een daarvoor verantwoordelijke instantie.*

**Uitsluitend voor EG-landen**

Werp elektrisch gereedschap niet weg bij het huisvuil. Conform de Europese Richtlijn 2012/19/EG voor Afgedankte Elektrische en Elektronische Apparatuur en de implementatie ervan in nationaal recht moet niet langer te gebruiken elektrisch gereedschap gescheiden worden verzameld en op een milieuvriendelijke wijze worden verwerkt.

**GARANTIE**

VONROC producten zijn ontworpen volgens de hoogste kwaliteitsstandaarden en gegarandeerd vrij van defecten, zowel materieel als fabrieksfouten, tijdens de wettelijk vastgestelde garantieperiode vanaf de eerste aankoopdatum. Mocht het product tijdens deze periode gebreken vertonen veroorzaakt door defecte materialen en/of fabrieksfouten, neem dan rechtstreeks contact op met VONROC.

De volgende situaties vallen niet onder de garantie:

- Er zijn reparaties of aanpassingen aan de

machine uitgevoerd, of er is een poging daartoe ondernomen, door een nietgeautoriseerd servicecentrum.

- Normale slijtage.
- De machine is misbruikt, verkeerd gebruikt of slecht onderhouden.
- Er zijn niet-originele reserveonderdelen gebruikt

Dit vormt de enige garantie opgesteld door het bedrijf zowel expliciet als impliciet. Er bestaan geen andere garanties expliciet of impliciet welke verder gaan dan deze garantie, inclusief impliciete garanties van verkoopbaarheid en geschiktheid voor bepaalde doeleinden. In geen enkel geval kan VONROC aansprakelijk worden gesteld voor incidentele schade of gevolgschade. Reparaties van dealers zijn gelimiteerd tot de reparatie of vervanging van defecte producten of onderdelen.

**Het product en de gebruikershandleiding zijn onderhevig aan wijzigingen. Specificaties kunnen zonder opgaaf van redenen worden gewijzigd.**

## 1. CONSIGNES DE SÉCURITÉ

En plus des avertissements de sécurité suivants, veuillez également lire les avertissements de sécurité additionnels ainsi que les instructions. Le non-respect des avertissements de sécurité et des instructions peut entraîner une décharge électrique, un incendie et/ou des blessures graves. Veuillez conserver les avertissements de sécurité et les instructions pour consultation ultérieure.

Les symboles suivants sont utilisés dans le manuel d'utilisation ou apposés sur le produit:



*Lisez le manuel d'utilisation.*



*Signale un risque de blessures, un danger mortel ou un risque d'endommagement de l'outil en cas de non-respect des instructions de ce manuel.*



*Risque de décharge électrique*



*Débranchez immédiatement la fiche de la prise secteur si le câble secteur est endommagé ainsi que durant le nettoyage et la maintenance.*



*Portez des lunettes de protection.  
Portez une protection auditive.*



*Portez un masque anti-poussière.*



*Machine de classe II - Double isolation - Vous n'avez pas besoin de prise avec mise à la terre.*



*Variateur électronique de vitesse.*



*Rotation gauche/droite.*



*Ne jetez pas le produit dans des conteneurs qui ne sont pas prévus à cet effet.*



*Le produit est conforme aux normes de sécurité en vigueur spécifiées dans les directives européennes.*

## CONSIGNES GÉNÉRALES DE SÉCURITÉ



**AVERTISSEMENT! Veuillez lire l'intégralité des avertissements de sécurité et des instructions.** Le nonrespect de toutes les instructions indiquées cidessous peut entraîner un risque de choc électrique, d'incendie et/ou de blessures graves.

### Conservez ces instructions.

Le terme "appareil électrique" mentionné dans tous les avertissements cidessous se rapporte à un appareil électrique qui se branche au réseau électrique (grâce à un câble d'alimentation) ou à un appareil électrique (sans fil) fonctionnant grâce à une batterie.

#### 1) espace de travail

- a) **Veillez toujours à garder votre espace de travail propre et bien éclairé.** Les espaces mal rangés et sombres peuvent être la cause d'accidents.
- b) **N'utilisez pas les appareils électriques dans des environnements susceptibles d'explosion, par exemple en présence de liquides inflammables, de gaz ou de particules.** Les appareils électriques provoquent des étincelles qui peuvent enflammer les particules des émanations.
- c) **Veillez à garder éloignés les enfants et les personnes se trouvant dans votre voisinage, lors de l'utilisation d'un appareil électrique.** Les distractions peuvent vous faire perdre le contrôle de l'appareil.

#### 2) mesures de sécurité électriques

- a) **Les prises des appareils électriques doivent être raccordées à la prise murale correspondante. Ne modifiez jamais la prise de l'appareil, de quelque façon que ce soit. N'utilisez pas d'adaptateurs qui mettent les appareils électriques à la terre (mise à la masse).** Des prises non modifiées et branchées à la prise murale correspondante réduiront les risques de choc électrique.
- b) **Évitez le contact direct avec les surfaces mises à la terre ou mises à la masse comme les canalisations, les radiateurs, les cuisinières et les réfrigérateurs.** En effet, le risque de choc électrique s'accrut si votre corps est mis à la terre ou à la masse.
- c) **N'utilisez pas d'outils électriques dans des environnements pluvieux ou humides.** Si de l'eau

s'introduit dans un appareil électrique, le risque de choc électrique augmentera.

- d) **N'utilisez pas le câble de manière abusive. N'utilisez jamais le câble pour transporter, tirer ou débrancher l'appareil électrique. Veillez à garder le câble éloigné des sources de chaleur, des huiles, des rebords coupants ou des pièces actionnées.** Les câbles endommagés ou entremêlés augmentent le risque de choc électrique.
- e) **Lorsque un appareil est utilisé à l'extérieur, utilisez uniquement un câble prolongateur prévu à cet effet.** L'utilisation d'un câble à usage extérieur réduit le risque de choc électrique.
- f) **Si vous êtes contraint d'utiliser un outil électrique dans un environnement humide, utilisez une alimentation protégée par un dispositif à courant résiduel (RCD).** L'utilisation d'un RCD réduit le risque de décharge électrique.

#### 3) Sécurité personnelle

- a) **Restez vigilant, gardez un œil sur ce que vous faites et utilisez votre sens commun lors de l'utilisation d'un appareil électrique. N'utilisez pas un appareil électrique si vous êtes fatigué ou si vous êtes sous l'influence de drogues, d'alcool ou si vous prenez des médicaments.** Un moment d'inattention lors de l'utilisation des appareils électriques peut entraîner des blessures graves.
- b) **Utilisez un équipement de protection personnelle. Protégez-vous toujours les yeux.** Les équipements de protection, tels qu'un masque à poussière, des chaussures antidérapantes, des protections auditives ou un casque de sécurité, utilisés dans de bonnes conditions, réduiront le risque de blessures.
- c) **Prévenez tout démarrage involontaire. Assurez-vous que l'interrupteur est sur la position "arrêt avant de brancher l'appareil.** En effet, le transport des appareils électriques en gardant vos doigts sur l'interrupteur, ou le branchement de ces appareils en ayant l'interrupteur sur "marche accidents.
- d) **Retirez les clés de réglage ou les clés de vis de réglage avant d'allumer l'appareil électrique.** Une clé de vis de réglage ou une clé, laissée sur une pièce en mouvement de l'appareil électrique, peut entraîner des lésions corporelles.

- e) **Ne pas se précipiter. Gardez toujours vos pieds à plat et gardez votre équilibre.** Ceci permet de mieux contrôler l'appareil électrique dans des situations imprévues.
- f) **Habillez-vous convenablement. Ne portez pas de vêtements lâches ou de bijoux. Gardez vos cheveux, vêtements et gants éloignés des pièces actionnées.** En effet, ces derniers peuvent être pris dans les pièces en action.
- g) **Si les appareils sont fournis pour la connexion des équipements d'évacuation et de récupération de la poussière, assurez-vous que ces derniers soient correctement connectés et utilisés.** L'utilisation de ces appareils peut réduire les risques liés à la poussière.
- h) **Ne pensez pas être familiarisé avec l'outil après l'avoir utilisé à de nombreuses reprises, au point de ne plus rester vigilant et d'en oublier les consignes de sécurité.** Toute action imprudente peut engendrer de graves blessures en une fraction de seconde.

#### 4) Utilisation et entretien d'un appareil électrique

- a) **Ne forcez pas l'appareil électrique. Utilisez l'appareil électrique adéquat pour votre application.** Un appareil électrique correctement choisi assurera un meilleur travail et un travail sans danger, au rythme auquel il a été conçu.
- b) **N'utilisez pas l'appareil électrique si l'interrupteur marche/arrêt ne fonctionne pas.** Un appareil électrique qui ne peut pas être commandé par l'interrupteur de contrôle est dangereux et doit être réparé.
- c) **Débranchez la prise du bloc d'alimentation avant d'effectuer des réglages, de changer des accessoires, ou de ranger les appareils électriques.** Ces mesures de sécurité préventives réduiront le risque de démarrage involontaire de l'appareil électrique.
- d) **Rangez les appareils électriques arrêtés hors de la portée des enfants et ne laissez aucune personne, non familiarisée avec l'outil ou ces instructions, utiliser l'appareil électrique.** Les appareils électriques sont dangereux entre les mains d'utilisateurs non formés.
- e) **Entretenez les appareils électriques. Vérifiez tout défaut d'alignement et l'enchaînement des pièces actionnées, la rupture de ces dernières, et les autres conditions qui peuvent affecter le fonctionnement des appareils électriques.**

**En cas de dommages, faites réparer l'appareil électrique avant de le réutiliser.** Nombreux sont les accidents provoqués par des appareils électriques mal entretenus.

- f) **Veillez à garder les outils coupants aiguisés et propres.** Des outils coupants correctement entretenus avec des lames aiguisées sont moins susceptibles de se bloquer et sont plus faciles à contrôler.
- g) **Utilisez l'appareil électrique, les accessoires et les embouts, etc., conformément à ces instructions et de la manière prévue pour le type spécifique de l'appareil électrique, en prenant en compte les conditions de travail et le travail à effectuer.** L'utilisation de l'appareil électrique dans des applications différentes de celles prévues peut entraîner des situations dangereuses.
- h) **Gardez les poignées et les surfaces de préhension sèches, propres et exemptes d'huile et de graisse.** Des poignées et des surfaces de préhension glissantes ne permettent pas de manipuler et de contrôler l'outil correctement en cas de situations inattendues.
- h) **Gardez les poignées et les surfaces de préhension sèches, propres et exemptes d'huile et de graisse.** Des poignées et des surfaces de préhension glissantes ne permettent pas de manipuler et de contrôler l'outil correctement en cas de situations inattendues.

#### 5) Maintenance

- a) **L'entretien de votre outil électrique doit être confié à un réparateur qualifié qui utilise uniquement des pièces de rechange identiques aux pièces d'origine.** Cela permet d'assurer la sécurité de l'outil électrique.

#### AVERTISSEMENTS DE SÉCURITÉ ADDITIONNELS POUR LES PERCEUSES À PERCUSSION



*Cette machine est adaptée pour le travail léger. Ne surchargez pas la machine.*

- a) **Portez des protections auditives lors des travaux de perçage à percussion.** L'exposition au bruit peut entraîner une perte auditive.
- b) **Utilisez les poignées auxiliaires si elles sont fournies avec l'outil.** Toute perte de contrôle de l'appareil entraîne un risque de blessures.
- c) **Tenez l'outil électrique par les surfaces de préhension isolées lorsque vous effectuez une**

**opération au cours de laquelle l'accessoire de coupe peut entrer en contact avec des câbles non apparents ou avec le cordon d'alimentation de l'outil.** Tout contact de l'accessoire de coupe avec un fil "sous tension" peut conduire l'électricité aux pièces métalliques exposées de l'outil et exposer l'utilisateur à une décharge électrique.

### Consignes de sécurité électrique

Lors d'utilisation de machines électriques, observez les consignes de sécurité locales en vigueur en matière de risque d'incendie, de chocs électriques et de lésion corporelle. En plus des instructions ci-dessous, lisez entièrement les consignes de sécurité contenues dans le cahier de sécurité fourni à part.



*Vérifiez toujours si la tension de votre réseau correspond à la valeur mentionnée sur la plaque signalétique.*



*Machine de la classe II - Double isolation - vous n'avez pas besoin d'une prise avec mise à terre.*

Si vous êtes contraint d'utiliser un outil électrique dans un environnement humide, utilisez une alimentation protégée par un dispositif à courant résiduel (RCD). L'utilisation d'un RCD réduit le risque de décharge électrique.

## 2. INFORMATIONS RELATIVES À LA MACHINE

### Utilisation prévue

Votre perceuse à percussion a été conçue pour percer des trous dans le bois, le métal et les plastiques, ainsi que pour le perçage à percussion dans la brique et le béton.

### SPÉCIFICATIONS TECHNIQUES

N° de modèle	ID503AC
Tension de secteur	220-240 V~
Fréquence de secteur	50/60 Hz
Entrée d'alimentation	1100W
Vitesse à vide (1)	0-1.200/min
Vitesse à vide (2)	0-3.100/min
Taux d'impact (1)	0-19.200/min

Taux d'impact (2)	0-49.600/min	
Taille du mandrin	13 mm	
Diamètre max. du foret	Bois	30 mm
	Béton	20 mm
	Acier	13 mm
Poids	3,3 kg	
Pression acoustique $L_{PA}$	94 + 3 dB(A)	
Intensité acoustique $L_{WA}$	105 + 3 dB(A)	
Perçage dans le métal, $a_{h,D}$	4,156 + 1,5 m/s <sup>2</sup>	
Perçage à percussion dans le béton, $a_{h,ID}$	11,897 + 1,5 m/s <sup>2</sup>	

### Niveau de vibrations

Le niveau des vibrations émises, indiqué dans ce manuel, a été mesuré conformément à la procédure décrite par la norme EN62841. Il peut être utilisé pour comparer deux outils ou pour réaliser une estimation préalable de l'exposition aux vibrations lors de l'utilisation de l'outil pour les applications mentionnées.

- L'utilisation de l'outil dans d'autres applications ou avec des accessoires différents ou mal entretenus peut considérablement augmenter le niveau d'exposition.
- La mise hors tension de l'outil et sa non-utilisation pendant qu'il est allumé peuvent considérablement réduire le niveau d'exposition.

Protégez-vous contre les effets des vibrations par un entretien correct de l'outil et de ses accessoires, en vous échauffant les mains et en organisant vos rythmes de travail.

### DESCRIPTION

Les numéros dans le texte se rapportent aux schémas de la page 2.

#### Fig. A

1. Mandrin
2. Commutateur de sélection de fonction
3. Butée de profondeur
4. Bouton de verrouillage
5. Interrupteur marche/arrêt
6. Roulette de réglage de la vitesse
7. Commutateur de rotation gauche/droite
8. Commutateur de sélection de vitesse
9. Poignée latérale

**Fig. B**

10. Manchon arrière

11. Manchon avant

**3. MONTAGE****Montage et retrait de la poignée auxiliaire (Fig. A)****Montage**

- Desserrez la poignée auxiliaire (9).
- Glissez la poignée auxiliaire (9) sur le mandrin (1).
- Tournez la poignée auxiliaire (9) sur la position désirée.
- Serrez la poignée auxiliaire (9).

**Retrait**

- Desserrez la poignée auxiliaire (9).
- Retirez la poignée auxiliaire (9) du mandrin (1).

**Remplacement et retrait des forets (Fig. A - B)**

La machine est adaptée à l'usage des forets suivants:

- Bois (HSS)
- Métal (HSS)
- Béton / maçonnerie (métal dur)



*Avant de remplacer les forets, débranchez d'abord la fiche du cordon d'alimentation de la prise murale.*



*Vérifiez régulièrement les forets pendant l'utilisation. Les forets émoussés devront être aiguisés ou remplacés.*

- Ouvrez le mandrin (1) en tournant le manchon avant (11) dans le sens horaire tout en maintenant le manchon arrière (10), ou en le tournant dans le sens antihoraire, et insérez le foret dans l'ouverture du mandrin.
- Serrez le foret en tournant le manchon avant (11) dans le sens antihoraire tout en maintenant le manchon arrière (10) ou en le tournant dans le sens horaire.

**Réglage de la butée de profondeur (Fig. A)**

- Insérez la butée de profondeur (3) dans le trou de la poignée latérale.
- Faites glisser la règle à la profondeur souhaitée.

**4. FONCTIONNEMENT**

*La perceuse à percussion n'a besoin que d'une pression minimale de la part de l'utilisateur. Une pression trop grande sur l'outil peut entraîner une surchauffe du moteur et l'outil entraîné peut brûler.*

**Interrupteur marche/arrêt (Fig. A)**

- Mettez la machine sous tension en appuyant sur l'interrupteur marche/arrêt (5). Lorsque vous relâchez l'interrupteur marche/arrêt (5), la machine s'éteint.
- Pour régler la vitesse de rotation, ajustez la pression exercée sur l'interrupteur marche/arrêt (5); plus la pression est forte, plus la vitesse de rotation est élevée, et inversement.

**Bouton de verrouillage (Fig. A)**

- Vous pouvez verrouiller l'interrupteur marche/arrêt (5) en appuyant sur l'interrupteur marche/arrêt (5), puis en appuyant sur le bouton de verrouillage (4).
- Pour déverrouiller le bouton, appuyez de nouveau brièvement sur l'interrupteur marche/arrêt (5).

**Réglage de la vitesse maximale de rotation (Fig. A)**

- Tournez la roulette (6) pour régler la vitesse de rotation maximale souhaitée.

**Changement du sens de rotation (Fig. A)**


*Ne modifiez pas le sens de rotation pendant l'utilisation.*

- Sens de rotation antihoraire: décalez le commutateur de sens de rotation gauche/ droite (7) vers "L".
- Sens de rotation horaire: décalez le commutateur de sens de rotation gauche/ droite (7) vers "R".

**Commutateur de sélection de fonction (Fig. A)**

*Pour éviter d'endommager la machine, le réglage du commutateur de sélection de fonction (2) ne doit s'effectuer que quand la machine est arrêtée.*

- Réglez le commutateur de sélection de fonction (2) sur "▲" pour le perçage.
- Réglez le commutateur de sélection de fonction

(2) sur “” pour le forage au marteau perforateur.

#### Commutateur de sélection de vitesse (Fig. A)



Pour éviter d'endommager la machine, le réglage du commutateur de sélection de vitesse (8) ne doit s'effectuer que quand la machine est arrêtée.

- Si vous réglez le commutateur de sélection de vitesse (8) sur la position “1”, la vitesse de perçage peut être réglée entre 0 et 1 200/min.
- Si vous réglez le commutateur de sélection de vitesse (8) sur la position “2”, la vitesse de perçage peut être réglée entre 0 et 3 100/min.
- Lorsque le commutateur de sélection de vitesse (8) ne bascule pas facilement entre les positions “1” et “2”, faites légèrement tourner le mandrin (1) avec vos mains. Cela aide à remettre les engrenages dans la position correcte et facilite le changement de vitesse.

#### Conseils

Utilisez toujours l'appareil avec une poignée latérale bien fixée; vous travaillerez non seulement confortablement, mais aussi avec une plus grande précision.



Attention: les forets et les embouts de marteau perforateur peuvent chauffer considérablement.

#### Perçage et forage au marteau perforateur

- Pour percer de grands trous, par exemple dans du béton très dur, démarrez en utilisant un petit foret pour le perçage pilote, puis percez à taille nominale.
- Tenez la machine fermement à deux mains. Gardez à l'esprit que le foret peut bloquer et que cela peut provoquer le retournement brusque de la machine (surtout lors du perçage de trous profonds).
- N'appliquez pas une trop grande pression sur la machine, laissez-la faire le travail.

## 5. ENTRETIEN



Assurez-vous que la machine n'est pas sous tension si vous allez procéder à des travaux d'entretien dans son système mécanique.

Nettoyez le corps de la machine régulièrement au moyen d'un chiffon doux, de préférence après chaque utilisation. Vérifiez que les ouvertures d'aération ne sont pas obstruées ni sales. Utilisez un chiffon doux légèrement humidifié avec de la mousse de savon pour nettoyer les taches persistantes. N'utilisez pas de produits de nettoyage tels que l'essence, l'alcool, l'ammoniac, etc.; ces produits peuvent endommager les parties synthétiques.

## ENVIRONNEMENT



Les équipements électroniques ou électriques défectueux ou destinés à être mis au rebut doivent être déposés aux points de recyclage appropriés.

#### Uniquement pour les pays de l'UE

Ne jetez pas les outils électriques avec les déchets domestiques. Selon la Directive européenne 2012/19/CE relative aux déchets d'équipements électriques et électroniques et sa mise en œuvre dans le droit national, les outils électriques hors d'usage doivent être collectés séparément et mis au rebut de manière écologique.

## GARANTIE

Les produits VONROC sont développés aux plus hauts standards de qualité et ils sont garantis contre les défauts de pièces et de main d'oeuvre pendant la durée légale stipulée à partir de la date d'achat d'origine du produit. En cas d'une quelconque panne du produit pendant cette durée qui serait due à un défaut matériel et/ou de main d'oeuvre, contactez directement VONROC.

Les circonstances suivantes ne sont pas prises en charge par la garantie:

- Des réparations ou altérations ont été effectuées ou tentées sur la machine par un centre de réparation non agréé.
- L'usure normale.
- L'outil a été maltraité, mal utilisé ou mal entretenu.
- Des pièces détachées non d'origine ont été utilisées

Ceci constitue l'unique garantie accordée par la société explicitement ou implicitement. Il n'existe aucune autre garantie, explicite ou implicite, qui peut s'étendre au delà du contenu ici présent, y



compris les garanties marchandes ou d'adaptation à des fins particulières. En aucun cas VONROC ne sera tenu responsable de dommages accidentels ou consécutifs. Les solutions proposées par les revendeurs devront se limiter à la réparation ou le remplacement des éléments ou pièces non conformes.

**Le produit et le manuel d'utilisation sont sujets à modifications. Les spécifications peuvent changer sans préavis.**

## 1. ADVERTENCIAS DE SEGURIDAD

Lea las advertencias de seguridad, las advertencias de seguridad adicionales y las instrucciones adjuntas. Si no respeta las advertencias de seguridad y las instrucciones, pueden ocasionarse descargas eléctricas, incendios y/o lesiones graves. Guarde las advertencias de seguridad y las instrucciones para su futura consulta.

En el manual de usuario y en el producto se emplean los siguientes símbolos:



*Lea el manual de usuario.*



*Denota riesgo de lesiones personales, pérdida de vida o daños a la herramienta en caso de incumplimiento de las instrucciones del presente manual.*



*Riesgo de choque eléctrico.*



*Saque inmediatamente el enchufe de alimentación de red si el cable de red está dañado y cuando realice operaciones de limpieza y mantenimiento.*



*Use anteojos de seguridad.  
Use protectores auditivos.*



*Use mascarilla contra el polvo.*



*Máquina de clase II - Doble aislamiento - No necesita enchufe con puesta a tierra.*



*Velocidad electrónica variable.*



*Rotación, izquierda/derecha.*



*No tire el producto en contenedores no apropiados.*



*El producto es conforme a las normas de seguridad aplicables según las directivas europeas.*

### INSTRUCCIONES GENERALES DE SEGURIDAD



**PRECAUCIÓN!** *Lea todas las advertencias de seguridad y todas las instrucciones. Si no lo hace, el uso indebido puede acarrear cortocircuitos, fuego o lesiones graves.*

**Conserve estas instrucciones.**

El término “herramienta eléctrica”, en todas las advertencias enumeradas a continuación se refiere a su herramienta eléctrica (i nalámbrica) que funciona con una batería o a través de la red eléctrica.

**1) Área de trabajo**

- a) **Trabaje en un lugar limpio y bien iluminado.** Lugares no iluminados o oscuros propician accidentes.
- b) **No use herramientas eléctricas donde haya riesgo de fuego o explosión, p.ej: cerca de líquidos o gases inflamables, polvo etc.** Las herramientas eléctricas producen chispas que pueden producir la ignición de partículas de humo.
- c) **Mantenga a los niños y otras personas alejados mientras utiliza la herramienta eléctrica.** Las distracciones pueden hacer que pierda el control de la herramienta.

**2) Seguridad eléctrica**

- a) **Cerciórese de que las clavijas de la herramienta eléctrica están correctamente enchufadas. Nunca modifique la clavija. No utilice ningún adaptador para la clavija de una herramienta eléctrica con conexión a tierra.** Las clavijas que no se hayan cambiado y los enchufes adecuados reducen el riesgo de cortocircuitos.
- b) **Evite el contacto humano con superficies con conexiones a tierra como tubos metálicos, conductos, tubos de la calefacción, radiadores y refrigeradores.** El riesgo de cortocircuitos es mayor cuando el cuerpo está en contacto con el suelo.
- c) **No use herramientas eléctricas bajo la lluvia o en entornos húmedos.** Si entra agua en una herramienta eléctrica aumenta el riesgo de cortocircuito.
- d) **No utilice el cable para todo. Nunca utilice el cable para mover la máquina, empujarla o sacar la clavija del enchufe. Mantenga el cable alejado del calor, aceite, zonas cortantes o piezas en movimiento.** Los cables dañados o enredados aumentan el riesgo de cortocircuito.
- e) **Use un cable alargador impermeable adecuado para exteriores cuando trabaje con la herramienta eléctrica al aire libre.** El riesgo de cortocircuito es menor si utiliza un cable alargador adecuado para exteriores.
- f) **Si no se puede evitar el uso de la herramienta**

**eléctrica en un lugar húmedo, use suministro protegido mediante dispositivo diferencial residual (DDR).** El uso de un DDR reduce el riesgo de choque eléctrico.

- h) **No permita que la familiaridad adquirida con el uso frecuente de las herramientas le haga confiarse e ignorar los principios de seguridad de las herramientas.** Una acción descuidada puede causar lesiones graves en una fracción de segundo.
- 3) Seguridad personal**
- a) **No se descuide, preste atención a lo que está haciendo y utilice el sentido común mientras trabaje con esta herramienta. No use herramientas eléctricas cuando esté cansado o esté bajo los efectos del alcohol, las drogas o los medicamentos.** Un momento de distracción, mientras utilice la herramienta eléctrica, puede provocar lesiones personales graves.
  - b) **Use equipo de protección individual. Use siempre gafas protectoras.** El uso en condiciones apropiadas del equipo de seguridad como por ejemplo: mascarilla antipolvo, zapatos antideslizantes de seguridad, casco o protección para los oídos, disminuye el riesgo de sufrir lesiones personales.
  - c) **Evite arranques involuntarios. Asegúrese de que el interruptor está en la posición de apagado antes de conectarlo a la fuente de electricidad.** Transportar herramientas eléctricas con el dedo puesto sobre el interruptor o enchufarlas con el interruptor encendido puede causar accidentes.
  - d) **Quite cualquier llave de ajuste antes de encender la herramienta eléctrica.** Una llave olvidada junto a una pieza móvil de la herramienta eléctrica puede provocar lesiones personales graves.
  - e) **No se estire demasiado. Mantenga siempre el equilibrio y tenga los pies en el suelo.** Esto permite un mayor control de la herramienta eléctrica en situaciones inesperadas.
  - f) **Vístase apropiadamente. No lleve prendas holgadas o joyas. Mantenga su pelo, ropa y guantes alejados de las piezas móviles.** Las prendas holgadas, las joyas y el pelo largo pueden quedar atrapados en las piezas móviles.
  - g) **Si se han suministrado dispositivos para la extracción y recogida de polvo asegúrese de que estos estén conectados y se utilicen cor-**

**rectamente.** El uso de estos dispositivos puede reducir los riesgos relacionados con el polvo.

- h) **Mantenga las asas y las superficies de agarre secas, limpias y libres de aceite y grasa.** Las asas y las superficies de agarre resbaladizas no permiten un manejo y control seguros de la herramienta en situaciones inesperadas.
- 4) **Utilización y cuidados de la herramienta eléctrica**
- a) **No fuerce la herramienta eléctrica. Utilice la herramienta eléctrica adecuada para el trabajo que vaya a realizar.** Una herramienta eléctrica apropiada realizará un trabajo mejor y más seguro si se utiliza para el objetivo con el que ha sido diseñada.
- b) **No use herramientas que no pueden encenderse o apagarse con el interruptor.** Las herramientas que ya no se puedan encender y apagar son peligrosas y deben repararse.
- c) **Desenchufe la clavija de la toma de electricidad antes de realizar modificaciones, cambiar accesorios o guardar las herramientas eléctricas.** Tales medidas de seguridad preventivas reducen el riesgo de la puesta en marcha accidental.
- d) **Mantenga a los niños alejados de una herramienta eléctrica sin utilizar y no permita a personas que no estén familiarizadas con la máquina o estas instrucciones utilizar la herramienta.** La herramienta eléctrica puede ser peligrosa cuando la utilicen personas sin experiencia.
- e) **Conserve sus herramientas cuidadosamente. Verifique cualquier desalineación o agrietamiento de piezas móviles, piezas dañadas y cualquier otra causa, que pudiera repercutir en el buen funcionamiento de la herramienta eléctrica. Si la herramienta está estropeada, repárela antes de utilizarla.** Muchos de los accidentes están causados por un mantenimiento insuficiente del equipo eléctrico.
- f) **Mantenga las herramientas de corte limpias y afiladas.** Sierras con esquinas cortantes con un buen mantenimiento se bloquean menos y son más fáciles de controlar.
- g) **Utilice la herramienta eléctrica, accesorios y brocas etc. Siguiendo las instrucciones atendiendo al tipo de herramienta eléctrica y tenga en cuenta las condiciones de trabajo y el tipo de trabajo que se va a realizar.** Puede ser peligroso realizar trabajos con la herra-

mienta diferentes de aquellos para los que está diseñada.

## 5) Servicio

- a) **Haga reparar su herramienta eléctrica por una persona cualificada, usando solo piezas de repuesto idénticas.** Esto garantiza que se mantenga la seguridad de la herramienta eléctrica.

## ADVERTENCIAS DE SEGURIDAD ADICIONALES PARA TALADROS DE IMPACTO



*Esta máquina es adecuada para trabajos ligeros. No sobrecargue la máquina.*

- a) **Póngase protectores auditivos cuando use taladros de impacto.** La exposición al ruido puede causar pérdida auditiva.
- b) **Use la o las empuñaduras auxiliares, si han sido suministradas con la herramienta.** La pérdida de control puede causar lesiones personales.
- c) **Aferre la herramienta eléctrica solo por las superficies de agarre aisladas cuando realice alguna operación en la que el accesorio de corte pueda entrar en contacto con cables ocultos o con el propio cable.** Si el accesorio de corte entra en contacto con un cable con tensión, puede exponer las partes metálicas de la herramienta a tensión y ocasionar una descarga eléctrica al operador.

## Seguridad eléctrica

Cuando use máquinas eléctricas observe siempre las normas de seguridad aplicables en su país para reducir el riesgo de incendios, descargas eléctricas y lesiones personales. Lea las siguientes instrucciones de seguridad y las instrucciones de seguridad adjuntas.



*Compruebe siempre que la tensión de alimentación corresponde con la tensión indicada en la placa de datos.*



Máquina de clase II - Doble aislamiento - No necesita enchufe con puesta a tierra.

Si no se puede evitar el uso de la herramienta eléctrica en un lugar húmedo, use suministro protegido mediante dispositivo diferencial residual (DDR). El uso de un DDR reduce el riesgo de choque eléctrico.

## 2. INFORMACIÓN DE LA MÁQUINA

### Uso previsto

El taladro de impacto ha sido diseñado para taladrar agujeros en madera, metales y plásticos y taladrar con percusión ladrillos y hormigón.

### ESPECIFICACIONES TÉCNICAS

Model No.	ID503AC	
Voltaje de alimentación de red	220-240 V~	
Frecuencia de alimentación de red	50/60 Hz	
Entrada de potencia	1100W	
Velocidad en vacío (1)	0-1.200/min	
Velocidad en vacío (2)	0-3.100/min	
Frecuencia de impactos (1)	0-19.200/min	
Frecuencia de impactos (2)	0-49.600/min	
Tamaño máx. portaherramienta	13 mm	
Diámetro máx. taladro	Madera	30 mm
	Hormigón	20 mm
	Acero	13 mm
Peso	3,3 kg	
Presión sonora level $L_{PA}$	94 + 3 dB(A)	
Potencia acústica $L_{WA}$	105 + 3 dB(A)	
Taladrado de metales, $a_{h,D}$	4,156 + 1,5 m/s <sup>2</sup>	
Taladrado de impacto de hormigón, $a_{h,ID}$	11,897 + 1,5 m/s <sup>2</sup>	

### Nivel de vibración

El nivel de emisión de vibraciones declarado en el presente manual de instrucciones ha sido medido de acuerdo con una prueba normalizada establecida por la norma EN62841; puede usarse para comparar una herramienta con otra y como evaluación preliminar de exposición a la vibración cuando se usa la herramienta para las aplicaciones mencionadas

- usar la herramienta para diferentes aplicaciones o con accesorios diferentes o escasamente mantenidos, puede aumentar significativamente el nivel de exposición.
- cuando la herramienta está apagada o está en funcionamiento, pero no ejecuta realmente ninguna tarea, puede reducir significativamente el nivel de exposición.

Protéjase contra los efectos de las vibraciones haciendo el mantenimiento de la herramienta y sus

accesorios, manteniendo las manos calientes y organizando sus patrones de trabajo.

### DESCRIPCIÓN

Los números del texto se refieren a los diagramas de la página 2.

#### Fig. A

1. Portaherramienta
2. Interruptor de selección de funciones
3. Tope de profundidad
4. Botón de bloqueo
5. Interruptor de Encendido/Apagado
6. Rueda de ajuste de velocidad
7. Interruptor de rotación izquierda/derecha
8. Interruptor de selección de velocidades
9. Empuñadura lateral

#### Fig. B

11. Manguito trasero
12. Manguito delantero

## 3. MONTAJE

### Montaje y desmontaje de la empuñadura auxiliar (Fig. A)

#### Montaje

- Afloje la empuñadura auxiliar (9).
- Deslice la empuñadura auxiliar (9) por el portaherramientas (1).
- Gire la empuñadura auxiliar (9) a la posición necesaria.
- Apriete la empuñadura auxiliar (9).

#### Extracción

- Afloje la empuñadura auxiliar (9).
- Quite la empuñadura auxiliar (9) del portaherramientas (1).

### Cambio y extracción de brocas (Fig. A - B)

Pueden utilizarse las siguientes brocas con la máquina:

- Madera (acero rápido)
- Metal (acero rápido)
- Cemento/Mampostería (metal duro)



Antes de cambiar las brocas, desenchufe primero el enchufe de alimentación de la toma de corriente de la pared.



*Inspeccione regularmente las brocas durante el uso. Las brocas romas deben volver a afilarse o sustituirse.*

- Abra el portaherramienta (1) girando el manguito delantero (11) en el sentido de las agujas del reloj mientras sostiene al mismo tiempo el manguito trasero (10), o girándolo en sentido contrario a las agujas del reloj, e inserte la broca en la boca del portaherramienta.
- Apriete la broca girando el manguito delantero (11) en sentido contrario a las agujas del reloj mientras sostiene al mismo tiempo el manguito trasero (10), o girándolo en el sentido de las agujas del reloj.

#### Colocación del tope de profundidad (Fig. A)

- Inserte el tope de profundidad (3) en el orificio del anillo de la empuñadura lateral.
- Deslice la varilla hasta la profundidad que desee.

## 4. FUNCIONAMIENTO



*Los taladros de impacto requieren muy poca presión por parte del operador. La presión excesiva sobre la herramienta puede ocasionar el recalentamiento innecesario del motor y quemar la herramienta accionada.*

#### Interruptor de Encendido/Apagado (Fig. A)

- Encienda la máquina pulsando el interruptor de Encendido/Apagado (5). Cuando suelte el interruptor de Encendido/Apagado (5) la máquina se apagará.
- La velocidad de rotación puede ajustarse apretando el interruptor de Encendido/ Apagado (5) más fuerte para aumentar la velocidad de rotación, o disminuyendo la presión para reducir la velocidad de rotación.

#### Botón de bloqueo (Fig. A)

- Bloquee el interruptor de Encendido/Apagado (5) pulsando dicho interruptor y pulsando después el botón de bloqueo (4).
- Para liberar el bloqueo del interruptor, vuelva a presionar levemente el interruptor de Encendido/Apagado (5).

#### Ajuste de la velocidad máxima de rotación (Fig. A)

- Ajuste la velocidad girando la rueda de regulación de la velocidad (6) hasta la velocidad de rotación máxima que desee.

#### Cambiar la dirección de rotación (Fig. A)



*No cambie la dirección de rotación durante el uso.*

- Dirección de rotación contraria a las agujas del reloj: interruptor de movimiento derecha/ izquierda (7) hacia "L".
- Dirección de rotación en el sentido de las agujas del reloj: interruptor de movimiento derecha/izquierda (7) hacia "R".

#### Interruptor de selección de funciones (Fig. A)



*Para evitar daños a la máquina, el ajuste del interruptor de selección de funciones (2) se debe hacer solo cuando la máquina no está en funcionamiento.*

- Ponga el interruptor de selección de función (2) en "▲" para taladrar.
- Ponga el interruptor de selección de función (2) en "■" para taladrar con percusión.

#### Interruptor de selección de velocidad (Fig. A)



*Para evitar daños a la máquina, el ajuste del interruptor de selección de funciones (8) se debe hacer solo cuando la máquina no está en funcionamiento.*

- Si coloca el interruptor de selección de velocidad (8) en posición "1", la velocidad de taladrado puede ajustarse entre 0 y 1,200/min.
- Si coloca el interruptor de selección de velocidad (8) en posición "2", la velocidad de taladrado puede ajustarse entre 0 y 3,100/min.
- Cuando el interruptor de selección de velocidad (8) no puede cambiarse fácilmente entre "1" y "2", haga girar un poco el portaherramienta (1) con las manos. Esto hará que los engranajes se pongan en la posición correcta y que cambien más fácilmente.

#### Consejos para el usuario

Use siempre la máquina con la empuñadura lateral firmemente anclada en su lugar. No solo trabajará más cómodamente, sino que también lo hará con más precisión.



*Precaución: los taladros y los cortafríos pueden calentarse mucho.*

#### **Taladrado y taladrado de percusión**

- Para orificios grandes, por ejemplo en hormigón muy duro, empiece usando una pequeña broca para perforación de guía primero, y después perforo a tamaño nominal.
- Sostenga la máquina firmemente con las 2 manos. Tenga cuidado pues el taladro puede atascarse y la máquina puede girarse repentinamente (especialmente cuando perforo orificios profundos).
- No ejercite una fuerza excesiva sobre la máquina, deje que la máquina haga el trabajo.

## **5. MANTENIMIENTO**



*Asegúrese de que la máquina no esté bajo tensión cuando realice trabajos de mantenimiento en el motor.*

Limpie regularmente la carcasa de la máquina con un paño suave, preferentemente después de cada uso. Compruebe que los orificios de ventilación estén libres de polvo y suciedad. Elimine el polvo persistente utilizando un paño suave humedecido con agua y jabón. No use disolventes tales como gasolina, alcohol, amoníaco, etc. Tales productos químicos pueden dañar los componentes sintéticos.

## **MEDIOAMBIENTE**



*Los aparatos eléctricos o electrónicos defectuosos y/o desechados deben recogerse en lugares de reciclado apropiado.*

#### **Solo para países de la Comunidad Europea**

No elimine las herramientas eléctricas como residuos domésticos. De acuerdo con la Directiva europea 2012/19/EU sobre residuos de aparatos eléctricos y electrónicos, y su transposición a las legislaciones nacionales, las herramientas eléctricas que ya no se utilizan deben recogerse por separado y eliminarse en modo ecológico. El producto y el manual de usuario están sujetos a variaciones. Las especificaciones pueden variarse sin previo aviso.

## **CONDICIONES DE GARANTÍA**

Los productos VONROC han sido desarrollados con los más altos estándares de calidad y VONROC garantiza que están exentos de defectos relacionados con los materiales y la fabricación durante el periodo legalmente estipulado, a contar desde la fecha de compra original. En caso de que el producto presente defectos relacionados con los materiales y/o la fabricación durante este periodo, póngase directamente en contacto VONROC.

La presente garantía se excluye en los siguientes casos:

- Si centros de servicios no autorizados han realizado o han intentado realizar reparaciones y/o alteraciones a la máquina.
- Si se ha producido un desgaste normal.
- Si la herramienta ha sido mal tratada o usada en modo impropio, o se ha realizado incorrectamente su mantenimiento.
- Si se han utilizado piezas de repuesto no originales.

La presente constituye la única garantía implícita y explícita que ofrece la compañía. No existen otras garantías explícitas o implícitas que excedan las citadas aquí, incluidas las garantías implícitas de comerciabilidad e idoneidad para una finalidad en especial. VONROC no será considerada responsable en ningún caso por daños incidentales o consecuentes. Los recursos a disposición de los distribuidores se limitan a la reparación o a la sustitución de las unidades o piezas no conformes.

**El producto y el manual de usuario están sujetos a variaciones. Las especificaciones pueden variarse sin previo aviso.**

## 1. AVVERTENZE DI SICUREZZA

Leggere le avvertenze di sicurezza contenute nel presente manuale, le avvertenze di sicurezza aggiuntive e le istruzioni. La mancata osservanza delle avvertenze di sicurezza e delle istruzioni potrebbe causare scosse elettriche, incendi e/o lesioni gravi. Conservare le avvertenze di sicurezza e le istruzioni per una futura consultazione.

I simboli riportati di seguito vengono utilizzati all'interno del manuale per l'utente oppure sono indicati sul prodotto:



*Leggere il manuale per l'utente.*



*Denota il rischio di lesioni personali, morte o danni all'utensile in caso di mancata osservanza delle istruzioni contenute nel presente manuale.*



*Rischio di scosse elettriche.*



*Staccare immediatamente la spina dalla presa di corrente se il cavo è danneggiato e durante le operazioni di pulizia e di manutenzione.*



*Indossare occhiali protettivi.  
Indossare protezioni acustiche.*



*Indossare una maschera antipolvere.*



*Apparecchio di Classe II - Doppio isolamento - Non è necessario il collegamento a terra.*



*Velocità elettronica variabile.*



*Rotazione, sinistra/destra.*



*Non smaltire il prodotto in contenitori non idonei.*



*Il prodotto è conforme alle norme di sicurezza vigenti ai sensi delle direttive europee.*

### REGOLE GENERALI DI SICUREZZA



**ATTENZIONE! Leggere tutte le avvertenze di sicurezza e tutte le istruzioni.** Se non si seguono tutte le istruzioni sotto elencate, si può incorrere in uno shock elettrico, in un incendio e/o in lesioni serie.

#### Conservare queste istruzioni.

Il termine "arnese elettrico" in tutti gli avvertimenti sotto elencati si riferisce al vostro arnese elettrico che funziona a corrente (con filo) o ad un arnese che funziona a pile (senza filo).

#### 1) Area di lavoro

- Mantenere l'area di lavoro pulita e ben illuminata.** Aree buie e disordinate favoriscono gli incidenti.
- Non usare arnesi elettrici in atmosfere esplosive, come vicino ai liquidi infiammabili, gas o polveri.** Gli arnesi elettrici creano scintille che possono incendiare la polvere dei vapori.
- Tenere lontani bambini e altre persone mentre si accende l'arnese elettrico.** Le distrazioni possono farvi perdere il controllo.

#### 2) Sicurezza elettrica

- Le spine dell'arnese elettrico devono andare bene per la presa di corrente. Non modificare mai la spina in alcun modo. Non usare alcun adattatore con arnesi elettrici a terra (messo a terra).** Spine non modificate che vanno bene per le prese di corrente ridurranno il rischio di shock elettrico.
- Evitare il contatto corporeo con superfici a terra come tubature, radiatori, fornelli e refrigeratori.** C'è un rischio maggiore di shock elettrico se il vostro corpo è a terra.
- Non esporre arnesi elettrici alla pioggia o a condizioni di umidità.** Se dell'acqua penetra nell'arnese elettrico aumenterà il rischio di shock elettrico.
- Non abusare del filo. Non usare mai il filo per trasportare, spingere o staccare dalla presa l'arnese elettrico. Tenere il filo lontano da calore, olio, bordi taglienti o parti mobili.** Fili danneggiati o aggrovigliati aumentano il rischio di shock elettrico.
- Quando si accende un arnese elettrico all'aperto, usare una prolunga adatta a tale uso.** Usare un filo adatto all'uso all'aperto ridurrà il rischio di shock elettrico.
- Se non è possibile evitare l'uso di un elettrotensile in ambiente umido, usare una rete di alimentazione protetta da un interruttore differenziale (salvavita).** L'uso di un salvavita riduce il rischio di scosse elettriche.

### 3) Sicurezza personale

- a) **Stare vigili e attento quando si accende un arnese elettrico. Non usare un arnese elettrico mentre si è stanco o sotto l'effetto di droghe, alcool o medicinali.** Un momento di disattenzione mentre si accendono arnesi elettrici può causare delle gravi lesioni personali.
- b) **Usare dispositivi di protezione individuale. Indossare sempre una protezione per gli occhi.** Dispositivi di sicurezza come mascherina per la polvere, scarpe di sicurezza antiscivolo, casco, o protezioni per le orecchie usate nelle appropriate condizioni, ridurranno le lesioni personali.
- c) **Prevenire l'avvio accidentale. Assicurarsi che l'interruttore sia spento prima di collegarsi.** Trasportare elettroutensili tenendo il dito sull'interruttore di accensione o dare corrente ad elettroutensili con l'interruttore acceso può dare luogo a incidenti.
- d) **Rimuovere ogni chiave regolatrice o chiave per dadi prima di accendere l'arnese elettrico.** Una chiave per dadi o una chiave lasciata attaccata ad una parte rotante dell'arnese elettrico può provocare lesioni personali.
- e) **Cercare di mantenere l'equilibrio. Mantenere sempre un punto d'appoggio appropriato.** Questo consente un controllo migliore dell'arnese elettrico in situazioni inaspettate.
- f) **Vestirsi adeguatamente. Non indossare vestiti larghi o gioielli. Tenere lontano capelli, vestiti e guanti dalle parti mobili.** Vestiti larghi, gioielli o capelli lunghi possono essere presi nelle parti mobili.
- g) **Se vengono forniti dispositivi per la connessione dell'estrazione della polvere e attrezzature di raccolta, assicurarsi che questi siano collegati e usati correttamente.** L'uso di questi dispositivi può ridurre i rischi correlati alla polvere.
- h) **Non lasciare che la confidenza acquisita dall'uso frequente induca l'utilizzatore ad assumere comportamenti imprudenti e a ignorare i principi di sicurezza per l'utensile.** Una semplice distrazione può provocare gravi lesioni personali in una frazione di secondo.
- 4) **Uso e manutenzione dell'arnese elettrico**
- a) **Non forzare l'arnese elettrico. Usare l'arnese elettrico corretto per il vostro impiego.**

L'arnese elettrico corretto farà il lavoro meglio e in maniera più sicura alla velocità per la quale è stato progettato.

- b) **Non usare l'arnese elettrico se l'interruttore non si accende o non si spegne.** Ogni arnese elettrico che non può essere controllato con l'interruttore è pericoloso e deve essere riparato.
- c) **Scollegare la spina dalla sorgente di elettricità prima di fare qualsiasi regolazione, cambiare gli accessori, o conservare arnesi elettrici.** Tali misure di sicurezza preventive riducono il rischio di accendere l'arnese elettrico accidentalmente.
- d) **Conservare gli arnesi elettrici inattivi fuori dalla portata dei bambini e non permettere a persone che non hanno confidenza con l'arnese elettrico o con queste istruzioni di usare l'arnese elettrico.** Gli arnesi elettrici sono pericolosi per utenti inesperti.
- e) **Mantenere gli arnesi elettrici. Controllare il non allineamento o l'attacco di parti mobili, la rottura di parti ed ogni altra condizione che può influire sul funzionamento degli arnesi elettrici. Se è danneggiato, far riparare l'arnese elettrico prima dell'uso.** Molti incidenti sono causati da arnesi elettrici mantenuti male.
- f) **Mantenere gli arnesi da taglio affilati e puliti.** È meno probabile che si attacchino degli arnesi da taglio mantenuti correttamente con tagli affilate e questi sono anche più facili da controllare.
- g) **Usare l'arnese elettrico, gli accessori e le parti dell'arnese ecc, secondo queste istruzioni e nel modo pensato per il particolare tipo di arnese elettrico, tenendo conto delle condizioni di lavoro e del lavoro da svolgere.** L'uso dell'arnese elettrico per operazioni diverse da quelle pensate potrebbe causare situazioni pericolose.
- h) **Mantenere le impugnature e le superfici di presa asciutte, pulite e libere da olio e grasso.** Impugnature e superfici di presa scivolose non consentono di maneggiare e controllare in sicurezza l'utensile in situazioni impreviste.
- 5) **Riparazione**
- a) **L'assistenza per l'elettroutensile deve essere prestata da un tecnico qualificato che utilizzi soltanto ricambi originali.** In questo modo viene garantita la sicurezza dell'elettroutensile.



## AVVERTENZE DI SICUREZZA AGGIUNTIVE PER I TRAPANI A PERCUSSIONE



Questa macchina è adatta per lavori leggeri. Non sovraccaricare la macchina

- a) **Quando si eseguono perforazioni a percussione indossare protezioni acustiche.** L'esposizione al rumore può provocare la perdita dell'udito.
- b) **Utilizzare l'impugnatura/le impugnature ausiliaria/e se fornita/e in dotazione con l'utensile.** La perdita di controllo può causare lesioni personali.
- c) **Quando si eseguono operazioni in cui l'elettrotensile può entrare in contatto con fili elettrici nascosti o con il cavo di alimentazione, tenerlo esclusivamente dalle impugnature, che sono isolate.** Gli accessori da taglio che vengono a contatto con un cavo sotto tensione trasmettono la corrente elettrica anche alle parti metalliche esposte dell'elettrotensile con il pericolo di provocare la folgorazione dell'operatore.

### Sicurezza elettrica

Quando si utilizzano apparecchi elettrici, osservare sempre le norme di sicurezza vigenti nel proprio paese per ridurre il rischio di incendi, scosse elettriche e lesioni personali. Leggere le istruzioni di sicurezza riportate di seguito oltre a quelle allegate al presente manuale.



Controllare sempre che la tensione di alimentazione corrisponda alla tensione sulla



Apparecchio di Classe II - Doppio isolamento - Non è necessario il collegamento a terra.

Se non è possibile evitare l'uso di un elettrotensile in ambiente umido, usare una rete di alimentazione protetta da un interruttore differenziale (salvavita). L'uso di un salvavita riduce il rischio di scosse elettriche.

## 2. INFORMAZIONI RELATIVE ALL'ELETTROUTENSILE

### Uso previsto

Questo trapano a percussione è destinato all'esecuzione di fori nel legno, nel metallo e nella plastica e alla tassellatura (con la funzione di martello) in mattoni e calcestruzzo.

### DATI TECNICI

Model No.	ID503AC
Tensione di rete	220-240 V~
Frequenza di rete	50/60 Hz
Potenza assorbita	1100W
Velocità a vuoto (1)	0-1.200/min
Velocità a vuoto (2)	0-3.100/min
Frequenza di percussione (1)	0-19.200/min
Frequenza di percussione (2)	0-49.600/min
Dimensione max. mandrino	13 mm
Diametro punte trapano max.	
Legno	30 mm
Calcestruzzo	20 mm
Acciaio	13 mm
Peso	3,3 kg
Pressione sonora $L_{PA}$	94 + 3 dB(A)
Potenza sonora $L_{WA}$	105 + 3 dB(A)
Perforazione di metalli, $a_{h,D}$	4,156 + 1,5 m/s <sup>2</sup>
Perforazione a percussione di calcestruzzo, $a_{h,D}$	11,897 + 1,5 m/s <sup>2</sup>

### Livello di emissione di vibrazioni

Il livello di emissione di vibrazioni indicato nel presente manuale d'istruzioni è stato misurato in base al test standardizzato previsto dalla normativa EN62841; può essere utilizzato per confrontare vari apparecchi fra loro e come valutazione preliminare dell'esposizione alle vibrazioni quando si utilizza l'utensile per le applicazioni menzionate.

- L'uso dell'utensile per applicazioni o con accessori diversi o in condizioni di scarsa manutenzione, potrebbe aumentare notevolmente il livello di esposizione a vibrazioni.
- I momenti in cui l'utensile è spento o quando è acceso ma non viene utilizzato potrebbero ridurre sensibilmente il livello di esposizione a vibrazioni.

Proteggersi contro gli effetti delle vibrazioni sottoponendo l'utensile e i relativi accessori a regolare manutenzione, evitare il raffreddamento delle mani, organizzare opportunamente i turni di lavoro.

## DESCRIZIONE

I numeri che compaiono nel testo si riferiscono agli schemi riportati alle pagine 2.

### Fig. A

1. Mandrino
2. Selettore di funzione
3. Fermo di profondità
4. Pulsante di blocco
5. Interruttore On/Off
6. Selettore di regolazione della velocità
7. Selettore di rotazione sinistra/destra
8. Selettore di velocità
9. Impugnatura laterale

### Fig. B

11. Collare posteriore
12. Collare anteriore

## 3. ASSEMBLAGGIO

### Inserimento e rimozione dell'impugnatura ausiliaria (Fig. A)

#### Montaggio

- Allentare l'impugnatura ausiliaria (9).
- Far scivolare l'impugnatura ausiliaria (9) sopra il foro del mandrino (1).
- Ruotare l'impugnatura ausiliaria (9) sulla posizione richiesta.
- Serrare l'impugnatura ausiliaria (9).

#### Rimozione

- Allentare l'impugnatura ausiliaria (9).
- Rimuovere l'impugnatura ausiliaria (9) dal foro del mandrino (1).

### Cambio e rimozione delle punte di perforazione (Fig. A - B)

La macchina è adatta per l'utilizzo delle seguenti punte da trapano:

- Legno (HSS)
- Metallo (HSS)
- Calcestruzzo / muratura (metallo duro)



*Prima di cambiare le punte rimuovere la spina dalla presa di corrente a muro.*



*Ispezionare regolarmente le punte durante l'uso. Le punte smussate dovrebbero essere affilate o sostituite.*

- Aprire il mandrino (1) ruotando il collare anteriore (11) in senso orario e tenendo fermo contemporaneamente il collare posteriore (10) oppure ruotandolo in senso antiorario e inserire la punta nell'apertura del mandrino.
- Stringere la punta ruotando il collare anteriore (11) in senso antiorario e tenendo fermo contemporaneamente il collare posteriore (10) oppure ruotandolo in senso orario.

### Regolazione del fermo di profondità (Fig. A)

- Inserire il fermo di profondità (3) attraverso il foro sull'anello dell'impugnatura laterale.
- Fare scorrere il righello fino alla profondità desiderata.

## 4. FUNZIONAMENTO



*I trapani a percussione richiedono una pressione minima da parte dell'operatore. Una pressione eccessiva esercitata sull'elettrotensile potrebbe dare origine a un inutile surriscaldamento del motore, facendo bruciare l'utensile.*

### Interruttore On/Off (Fig. A)

- Accendere l'elettrotensile premendo l'interruttore On/Off (5). Rilasciando l'interruttore On/Off (5) l'elettrotensile si spegne.
- Premendo l'interruttore On/Off (5) è possibile regolare la velocità di rotazione: esercitando una pressione maggiore sul pulsante la velocità di rotazione aumenta, mentre riducendo a la pressione la velocità di rotazione si abbassa.

### Pulsante di blocco (Fig. A)

- È possibile bloccare l'interruttore On/Off (5) premendo l'interruttore On/Off (5) seguito dal pulsante di blocco (4).
- Per rimuovere il blocco premere di nuovo l'interruttore On/Off (5).

### Regolazione della velocità di rotazione Massima (Fig. A)

- Regolare la velocità ruotando la rotella di regolazione velocità nella posizione (6) di velocità di rotazione massima desiderata

**Regolazione della direzione di rotazione (Fig. A)**

*Non cambiare la direzione di rotazione durante l'uso.*

- Rotazione in senso antiorario: fare scorrere il selettore sinistra/destra (7) su "L".
- Rotazione in senso orario: fare scorrere il selettore sinistra/destra (7) su "R".

**Selettore di funzione (Fig. A)**

*Per evitare danni alla macchina, la regolazione del selettore di funzione (2) dovrà essere eseguita solamente quando l'elettrotensile non è in funzione.*

- Posizionare il selettore di funzione (2) su "▲▼" per la funzione di perforazione.
- Posizionare il selettore di funzione (2) su "⚡" per la funzione di tassellatura (con martello).

**Selettore di velocità (Fig. A)**

*Per evitare danni alla macchina, la regolazione del selettore di velocità (8) dovrà essere eseguita solamente quando l'elettrotensile non è in funzione.*

- Se il selettore di velocità (8) viene collocato nella posizione "1", la velocità di perforazione può essere regolata tra 0 e 1,200 giri/min.
- Se il selettore di velocità (8) viene collocato nella posizione "2", la velocità di perforazione può essere regolata tra 0 e 3,100 giri/min.
- Se il selettore di velocità (8) ha difficoltà a passare dalla posizione "1" alla "2" e viceversa, fare ruotare appena il mandrino (1) con le mani. In questo modo gli ingranaggi si sistemeranno nella posizione corretta e la regolazione della velocità sarà più semplice.

**Suggerimenti per l'utente**

Usare sempre l'elettrotensile con l'impugnatura laterale fissata in posizione: oltre a lavorare in modo più confortevole migliorerà anche la precisione del lavoro.



*Attenzione: punte di trapano e scalpelli possono diventare molto caldi.*

**Perforazione e tassellatura**

- Per fori di grandi dimensioni, ad esempio nel calcestruzzo molto duro, cominciare utilizzando

una punta più piccola per eseguire il foro pilota, quindi passare alla punta della dimensione nominale.

- Tenere fermo l'elettrotensile saldamente con tutte due le mani. È necessario essere consapevoli del fatto che la punta può rimanere incastrata e l'elettrotensile potrebbe improvvisamente girarsi (soprattutto se si stanno eseguendo fori profondi).
- Non esercitare molta pressione sull'elettrotensile. Lasciare che l'elettrotensile svolga il lavoro.

**5. MANUTENZIONE**

*Assicurarsi che la macchina non sia sotto tensione durante i lavori di manutenzione sul motore.*

Pulire regolarmente il corpo dell'elettrotensile con un panno morbido, preferibilmente dopo ogni uso. Assicurarsi che le prese d'aria siano libere da polvere e sporcizia. Rimuovere lo sporco particolarmente ostinato con un panno morbido inumidito con acqua e sapone. Non utilizzare solventi come benzina, alcol, ammoniaca, ecc. Le sostanze chimiche di questo tipo danneggiano i componenti sintetici.

**RISPETTO AMBIENTALE**

*Le apparecchiature elettriche o elettroniche difettose e/o scartate devono essere raccolte presso gli opportuni siti di riciclaggio.*

**Solo per i Paesi CE**

Non smaltire gli elettrotensili insieme ai rifiuti domestici. Secondo la Direttiva europea 2012/19/EU sui rifiuti delle apparecchiature elettriche ed elettroniche e relativa implementazione nelle normative locali, gli elettrotensili ormai inutilizzabili devono essere raccolti separatamente e smaltiti in modo ecologico. Il prodotto e il manuale per l'utente sono soggetti a modifiche. I dati tecnici possono essere modificati senza ulteriore notifica.

**DEFINIZIONI DELLA GARANZIA**

I prodotti VONROC sono sviluppati secondo i più elevati standard di qualità e viene garantita l'assen-

za di difetti nei materiali e nella manodopera per il periodo contrattuale a partire dalla data di acquisto originale. Qualora il prodotto dovesse subire un guasto qualsiasi durante questo periodo a causa di difetti nei materiali e/o nella manodopera, si prega di contattare direttamente il VONROC.

Le seguenti circostanze sono escluse da questa garanzia:

- Riparazioni e/o modifiche alla macchina sono state eseguite o tentate da centri di assistenza non autorizzati.
- Normale usura.
- L'utensile è stato abusato, utilizzato o manutenu- to in modo improprio.
- Sono state utilizzate parti di ricambio non origi- nali.

Ciò costituisce l'unica garanzia espressa o implicita fornita dall'azienda. Non esistono altre garanzie es- presse o implicite che si estendono oltre il presente documento, ivi comprese le garanzie implicite di commerciabilità e idoneità per uno scopo particola- re. In nessun caso VONROC sarà responsabile di eventuali danni incidentali o consequenziali. I rime- di dei rivenditori saranno limitati alla riparazione o sostituzione di unità o parti non conformi.

**Il prodotto e il manuale per l'utente sono soggetti a modifiche. I dati tecnici possono essere modificati senza ulteriore notifica.**

## 1. SÄKERHETSANVISNINGAR

Läs de medföljande säkerhetsvarningarna, de kom- pletterande säkerhetsvarningarna och anvisning- arna. Underlåtenhet att följa säkerhetsvarningarna och anvisningarna kan orsaka elstöt, brand och/ eller allvarlig skada. Spara säkerhetsvarningarna och anvisningarna som framtida referensmaterial.

Följande symboler används i användarhandboken eller på produkten:



Läs användarhandboken.



Anger risk för personskada, dödsfall eller skada på verktyget om anvisningarna i denna handbok inte följs.



Risk för elstöt.



Ta genast ut strömkontakten från strömkäl- lan om strömkabeln skadas samt vid rengöring och underhåll.



Använd skyddsglasögon.  
Använd hörselskydd.



Använd en dammask.



Klass II-maskin - dubbel isolering - du behöver ingen jordad kontakt.



Variabla elektroniska varvtal.



Rotation, vänster/höger.



Kassera inte produkten i olämpliga containrar.



Produkten uppfyller gällande säkerhetsnor- mer i EU-direktiven.

### ALLMÄNNA SÄKERHETSFÖRESKRIFTER FÖR ELVERKTYG



**VARNING! Läs alla säkerhetsvarningar och alla anvisningar.** Underlåtenhet att följa varningar och instruktioner kan resultera i elstötar, brand och/eller allvarliga skador.

**Spara alla varningar och instruktioner för framtida referens.** Uttrycket "elverktyg" i varningarna avser ditt nätanslutna (med sladd) verktyg eller batteridrivna (sladdlösa) elektriska verktyg.

### 1) Arbetsplats säkerhet

- Håll arbetsplatsen ren och välbelyst.** Belamrade eller mörka områden inbjuder till olyckor.
- Använd inte elektriska verktyg i explosiva atmosfärer, såsom i närvaro av lättantändliga vätskor, gaser eller damm.** Elverktyg skapar gnistor som kan antända damm eller ångor.
- Håll barn och åskådare borta medan du arbetar med ett elverktyg.** Om du blir distraherad kan du tappa kontrollen.

### 2) Elsäkerhet

- Verktygets elkontakt måste passa till vägguttaget. Ändra inte kontakten på något sätt. Använd inte adapterkontakter med jordade elverktyg.** Omodifierade kontakter och matchande uttag minskar risken för elektrisk stöt.
- Undvik kroppskontakt med jordade ytor såsom rör, värmelement, spisar och kylskåp.** Det finns en ökad risk för elektrisk stöt om din kropp är jordansluten eller jordad.
- Utsätt inte elektriska verktyg för regn eller väta.** Vatten som tränger in i ett elverktyg ökar risken för elstötar.
- Hantera inte elkabeln felaktigt. Använd aldrig sladden för att bära, dra eller koppla bort elverktyget från uttaget. Håll sladden borta från värme, olja, vassa kanter eller rörliga delar.** Skadade eller tilltrasslade sladdar ökar risken för elektrisk stöt.
- När du arbetar med ett elverktyg utomhus, använd en förlängningssladd som passar för utomhusanvändning.** Användning av en sladd som passar för utomhusanvändning minskar risken för elektrisk stöt.
- Om arbete med ett elverktyg i en fuktig lokal är oundvikligt, använd ett uttag som är skyddat med jordfelsbrytare.** Användning av RCD minskar risken för elstötar.

### 3) Personlig säkerhet

- Var uppmärksam, kontrollera vad du gör och använd sunt förnuft när du arbetar med ett elektriskt verktyg. Använd inte ett elverktyg när du är trött eller påverkad av droger, alkohol eller medicinering.** Ett ögonblicks uppmärksamhet under arbetet kan resultera i allvarliga personskador.

- Använd personlig skyddsutrustning. Bär alltid ögonskydd.** Skyddsutrustning såsom dammfilterskydd, halksäkra säkerhetsskor, skyddshjälm eller hörselskydd som används för lämpliga förhållanden minskar personskador.
- Förebygg oavsiktlig igångsättning. Se till att strömbrytaren är i avstängd position innan anslutning till strömkällan och/eller batteriet, verktyget lyfts upp eller bärs.** Om du bär elverktyg med ditt finger på strömbrytaren eller ansluter ett påkopplat elverktyg till nätströmmen kan en olycka inträffa.
- Avlägsna eventuell justeringsnyckel eller skiftnyckel innan du sätter på elverktyget.** En skiftnyckel eller en nyckel som sitter kvar på en roterande del av elverktyget kan resultera i personskada.
- Böj dig inte för långt. Bibehåll alltid ordentligt fotfäste och balans.** Detta möjliggör bättre kontroll av elverktyget i oväntade situationer.
- Bär lämpliga kläder. Använd inte vida kläder eller smycken. Håll hår, kläder och handskar borta från rörliga delar.** Lösa kläder, smycken eller långt hår kan fastna i rörliga delar.
- Om enheten är försedd med anslutning av dammsug och uppsamlingsmöjlighet, se till att dessa är anslutna och används korrekt.** Dammupptagning minskar dammrelaterade risker.
- Låt inte erfarenheten som uppnås vid frekvent användning av verktyg låta dig bli för självsäker och ignorera verktygsäkerhetsprinciperna.** En oförsiktig handling kan orsaka allvarliga skador under bråkdelen av en sekund.

### 4) Användning och skötsel av elverktyg

- Tvinga inte elverktyget. Använd rätt slags elektriska verktyg för ditt arbete.** Rätt elverktyg gör arbetet bättre och säkrare vid den hastighet som det har konstruerats för.
- Använd inte elverktyget om strömbrytaren inte sätter på och stänger av det.** Ett elverktyg som inte kan kontrolleras med strömbrytaren är farligt och måste repareras.
- Dra ur kontakten från strömkällan och/eller batteriet från elverktyget innan du gör några justeringar, byter tillbehör eller lägger undan elverktygen för förvaring.** Sådana förebyggande säkerhetsåtgärder minskar risken för att elverktyget startar oavsiktligt.

- d) **Förvara elverktyg oåtkomliga för barn och låt inte personer som är obekanta med verktyget eller dessa instruktioner använda verktyget.** Elektriska verktyg är farliga i händerna på oerfarna användare.
- e) **Underhåll elektriska verktyg. Kontrollera för feljustering eller om rörliga delar har fastnat, bristning hos delar och andra eventuella förhållanden som kan komma att påverka elverktygets funktion. Om det är skadat, se till att elverktyget blir reparerat före användning.** Många olyckor orsakas av dåligt underhållna elektriska verktyg.
- f) **Håll kapverktyg vassa och rena.** Korrekt underhållna kapverktyg med vassa kanter är mindre troliga att kärva och lättare att kontrollera.
- g) **Använd elverktyget, dess tillbehör och verktyg i enlighet med dessa instruktioner och under beaktande av arbetsförhållandena och det arbete som ska utföras.** Användningen av elverktyget för andra verksamheter än de som det är avsett för skulle kunna resultera i en farlig situation.
- h) **Se till att handtagen är torra, rena och fria från olja och fett.** Håll handtag och greppytor tillåter inte säker hantering och kontroll av verktyget i oönskade situationer.
- 5) Service**
- a) **Se till att ditt elverktyg får service av en kvalificerad reparatör, som endast använder identiska ersättningsdelar.** Detta säkerställer att elverktygets säkerhet upprätthålls.

## KOMPLETTERANDE SÄKERHETSVARNINGAR FÖR SLAGBORRAR



*Den här maskinen är lämplig för lättare arbete. Överbelasta inte maskinen.*

- a) **Använd hörselskydd vid slagborrning.** Exponering för buller kan orsaka hörselnedsättning.
- b) **Använd stödhandtag om de medföljer verktyget.** Förlorad kontroll kan orsaka personskada.
- c) **Håll endast elverktyget i de isolerade greppytorna när du utför arbete där skärtillbehör kan komma i kontakt med dolda ledningar eller den egna sladden.** Kapitillbehör som kommer i kontakt med en strömförande ledning kan göra att exponerade metalldelar hos elverktyget blir strömförande och kan ge användaren en elstöt.

## Elsäkerhet

Följ alltid säkerhetsföreskrifterna som gäller i ditt land när du arbetar med elverktyg för att minska risken för brand, elstöt och personskada. Läs följande säkerhetsanvisningar och även de medföljande säkerhetsanvisningarna.



*Kontrollera alltid så att spänningen på nätet motsvarar den spänning som finns angiven på märkplåten.*



*Klass II-maskin - dubbel isolering - du behöver ingen jordad kontakt*

Om arbete med ett elverktyg i en fuktig lokal är oundvikligt, använd ett uttag som är skyddat med jordfelsbrytare (RCD). Användning av jordfelsbrytare minskar risken för elstöt.

## 2. MASKININFORMATION

### Avsedd användning

Din slagbör har utformats för borrning i trä, metall och plast samt för hammarborrning i tegel och betong.

### TEKNISKA SPECIFIKATIONER

Modell-nr	ID503AC
Strömspanning	220-240 V~
Strömfrekvens	50/60 Hz
Ineffekt	1100W
Varvtal utan belastning (1)	0-1.200/min
Varvtal utan belastning (2)	0-3.100/min
Slagfrekvens (1)	0-19.200/min
Slagfrekvens (2)	0-49.600/min
Chuckstorlek	13 mm
Max. borrar diameter	Trä 30 mm Betong 20 mm Stål 13 mm
Vikt	3,3 kg
Ljudtrycknivå $L_{PA}$	94 + 3 dB(A)
Ljudeffektnivå $L_{WA}$	105 + 3 dB(A)
Borrning i metall, $a_{h,D}$	4,156 + 1,5 m/s <sup>2</sup>
Slagborrning i betong, $a_{h,ID}$	11,897 + 1,5 m/s <sup>2</sup>

### Vibrationsnivå

Vibrationsutsläppsnivån som anges i denna bruksanvisning har uppmätts i enlighet med ett standardiserat test i EN62841, som kan användas för att jämföra verktyg med varandra och som en preliminär bedömning av exponering för vibrationer när du använder verktyget för angivna arbeten.

- Användning av verktyget för andra tillämpningar, eller med olika eller dåligt underhållna tillbehör kan avsevärt öka exponeringsnivån.
- De gånger då verktyget stängs av eller är på men egentligen inte används kan minska exponeringsnivån betydligt.

Skydda dig mot effekterna av vibrationer genom att underhålla verktyget och dess tillbehör, hålla händerna varma och organisera ditt arbetsmönster.

### BESKRIVNING

Siffrorna i texten hänvisar till diagrammen på sidan 2.

#### Fig. A

1. Chuck
2. Funktionsväljare
3. Djupstopp
4. Låsningssknapp
5. Strömbrytare
6. Hastighetsjusteringsratt
7. Höger/vänster rotationsbrytare
8. Växelväljare
9. Sidohandtag

#### Fig. B

10. Bakre hylsa
11. Främre hylsa

## 3. MONTERING

### Montering och borttagning av extrahandtaget (Fig. A)

#### Montering

- Lossa extrahandtaget (9).
- Skjut extrahandtaget (9) över chucken (1).
- Vrid extrahandtaget (9) till önskat läge.
- Dra åt extrahandtaget (9).

#### Borttagning

- Lossa extrahandtaget (9).
- Ta bort extrahandtaget (9) från chucken (1).

### Byte och borttagning av borrarbits (Fig. A-B)

Maskinen är lämplig för användning av följande borrar:

- trä (HSS)
- metall (HSS)
- betong / murverk (hårdmetall)



*Innan du byter bits, dra först ut stickkontakten ur vägguttaget.*



*Inspektera bitsen regelbundet under användning. Slöa bits ska slipas eller bytas.*

- Öppna chucken (1) genom att vrida den främre hylsan (11) medurs samtidigt som du håller fast den bakre hylsan (10) eller vrider den moturs och sätt in bitset i chucköppningen.
- Dra åt bitset genom att vrida den främre hylsan (11) moturs samtidigt som du håller fast den bakre hylsan (10) eller vrider den medurs.

### Inställning av djupanslag (Fig. A)

- För in djupanslaget (3) genom hålet på sidohandtagets ring.
- Vrid anslaget till önskat läge.

## 4. DRIFT



*Användaren behöver inte anbringa mycket tryck på slagborren. För mycket tryck på maskinen kan leda till onödigt överhettning av motorn och det drivna verktyget.*

### Strömbrytare (Fig. A)

- Starta maskinen genom att trycka in strömbrytaren (5). När växelbrytaren (5) frigörs stängs maskinen av.
- Rotationshastigheten kan justeras. Tryck in strömbrytaren (5) hårdare för att öka rotationshastigheten eller minska trycket för att sänka rotationshastigheten.

### Låsknapp (Fig. A)

- Du kan låsa strömbrytaren (5) genom att trycka på strömbrytaren (5) och därefter trycka på låsknappen (4).
- Frigör låsknappen genom att kort trycka på strömbrytaren (5).

**Justering av maximal rotationshastighet (Fig. A)**

- Justera hastigheten genom att vrida hastighetsjusteringsratten (6) till önskad rotationshastighet.

**Byte av rotationsriktning (Fig. A)**

Ändra inte rotationsriktningen under användning.

- Rotationsriktning moturs: sätt vänster/höger rotationsbrytare (7) till "L".
- Rotationsriktning medurs: sätt vänster/höger rotationsbrytare (7) till "R".

**Funktionsväljare (Fig. A)**

För att undvika att maskinen skadas ska justering av funktionsväljaren (2) endast utföras när maskinen inte är igång.

- Sätt funktionsväljaren (2) på "▲" för borring.
- Sätt funktionsväljaren (2) på "■" för hammarborring.

**Växelväljaren (Fig. A)**

För att undvika att maskinen skadas ska justering av växelväljaren (8) endast utföras när maskinen inte är igång.

- Om du sätter växelväljaren (8) till position "1" kan borrhastigheten justeras från 0 till 1200/min.
- Om du sätter växelväljaren (8) till position "2" kan borrhastigheten justeras från 0 till 3100/min.
- Om växelväljaren (8) inte enkelt kan flyttas mellan "1" och "2" kan du snurra chucken (1) lite lätt med dina händer. Detta bidrar till att växellarna hamnar i rätt position och att växlingen utförs enklare.

**Användartips**

Använd alltid maskinen med sidohandtaget stadigt förankrat på plats - du kommer inte bara att arbeta mer bekvämt utan också med högre precision.



Varning: borrarbits och hammarborrbits kan bli väldigt varma.

**Borring och hammarborring**

- Börja med att förborra med en mindre borrarbits innan du borrar med en borrarbits av normal storlek om du borrar stora hål, t.ex. i hård betong.

- Håll maskinen stadigt med två händer. Var medveten om att borren kan fastna och därför plötsligt vända (i synnerhet vid borring av djupa hål).
- Anbringa inte för mycket tryck på maskinen. Låt maskinen göra arbetet.

**5. UNDERHÅLL**

Se till att maskinen inte är strömansluten när underhållsarbete utförs på motorn.

Rengör maskinens hus regelbundet med en mjuk trasa, helst efter varje gång du använder maskinen. Se till att ventilationsöppningarna är fria från damm och smuts. Ta bort mycket ihållande smuts med en mjuk trasa fuktad med tvållösning. Använd inte lösningsmedel som bensen, alkohol, ammoniak osv. Sådana kemikalier skadar de syntetiska komponenterna.

**MILJÖ**

Felaktig och/eller kasserad elektrisk eller elektronisk utrustning måste lämnas in på lämpliga återvinningsstationer.

**Endast för EU-länder**

Kassera inte elverktyg i hushållsavfall. Enligt den europeiska riktlinjen 2012/19/EG om kasserad elektrisk och elektronisk utrustning och dess tillämpning i nationell rätt måste elverktyg som inte längre är användbara samlas in separat och kasseras på ett miljövänligt sätt.

**GARANTI**

VONROC-produkter är utvecklade enligt högsta kvalitetsstandard och garanteras fria från defekter i både material och utförande under den period som lagen föreskriver från och med inköpsdatumet. Om produkten skulle utveckla fel under denna period på grund av defekt material och/eller utförande, kontakta då VONROC direkt.

Följande omständigheter är undantagna från denna garanti:

- Reparationer och/eller ändringar har gjorts eller försökts utföras på maskinen av obehöriga servicecenter;
- Normalt slitage;



- Verktøyet har missbrukats, använts på fel sätt eller underhållits felaktigt;
- Reservdelar som inte är original har använts.

Detta utgör den enda garantin som företaget ger antingen uttryckt eller underförstått. Det finns inga andra garantier uttryckta eller underförstådda som sträcker sig bortom detta, inklusive de underförstådda garantierna för säljbarhet och lämplighet för ett visst syfte. Under inga omständigheter ska VONROC hållas ansvarigt för indirekta skador eller följskador. Återförsäljarens åtgärder ska begränsas till reparation eller utbyte av avvikande enheter eller delar.

**Produkten och användarhandboken kan ändras. Specifikationerna kan ändras utan förvarning.**

## 1. SIKKERHEDSANVISNINGER

Læs de vedlagte sikkerhedsadvarsler, de yderligere sikkerhedsadvarsler og vejledningen. Hvis sikkerhedsadvarslerne og vejledningen ikke følges, kan det resultere i elektrisk stød, brand og/eller alvorlige personskader. Gem sikkerhedsadvarslerne og vejledningen til fremtidig brug.

Følgende symboler anvendes i brugervejledningen eller på produktet:



Læs brugervejledningen.



Angiver risiko for personskade, dødsfald eller beskadigelse af værktøjet i tilfælde af manglende overholdelse af anvisningerne i denne vejledning.



Risiko for elektrisk stød.



Tag øjeblikkeligt netstikket ud af stikkontakten, hvis netkablet bliver beskadiget, samt under rengøring og vedligeholdelse.



Bær sikkerhedsbriller.  
Bær høreværn.



Bær en støvmaske.



Klasse II-maskine - Dobbeltisoleret - Du har ikke brug for et jordstik.



Variabel elektronisk hastighed.



Rotation, venstre/højre.



Bortskaf ikke produktet i uegnede beholdere.



Produktet er i overensstemmelse med de gældende sikkerhedsstandarder i EU-direktiverne.

### GENERELLE SIKKERHEDSADVARSLER FOR ELVÆRKTØJ



**ADVARSEL! Læs alle sikkerhedsadvarsler og alle anvisninger.** Hvis advarslerne og vejledningen ikke følges, kan det resultere i elektrisk stød, brand og/eller alvorlige personskader.

**Gem alle advarsler og instruktioner til fremtidig brug.** Udtrykket "el-værktøj" i advarselne refererer til dit el-værktøj (med ledning) eller dit batteridrevne (ledningsfri) el-værktøj.

### 1) Sikkerhed på arbejdsområdet

- a) **Hold arbejdsområdet rent og godt oplyst.** Der er risiko for ulykker på rodede eller mørke områder.
- b) **Brug ikke el-værktøj i eksplosive atmosfærer, f.eks. i nærheden af brandfarlige væsker, gasser eller støv.** El-værktøj danner gnister, der kan antænde støv eller dampe.
- c) **Hold børn og tilstedeværende væk, mens du bruger et el-værktøj.** Distractioner kan få dig til at miste kontrollen.

### 2) El-sikkerhed

- a) **Stik på el-værktøj skal passe til stikkontakten. Stikket må aldrig modificeres på nogen måde. Brug ikke adapterstik med jordforbundne (jordede) el-værktøj.** Umodificerede stik og tilsvarende stikkontakter reducerer risikoen for elektrisk stød.
- b) **Undgå kropskontakt med jordede overflader, såsom rør, radiatorer, områder og køleskabe.** Der er en øget risiko for elektrisk stød, hvis din krop er jorden.
- c) **El-værktøjer må ikke udsættes for regn eller våde omgivelser.** Vand, der trænger ind i et el-værktøj, vil øge risikoen for elektrisk stød.
- d) **Misbrug ikke ledningen. Brug ikke ledningen til at bære, trække eller frakoble el-værktøjet. Hold ledningen væk fra varme, olie, skarpe kanter eller dele i bevægelse.** Beskadigede eller sammenfiltrede ledninger øger risikoen for elektrisk stød.
- e) **Når du betjener et el-værktøj udendørs, skal du bruge en forlængerledning, der er velegnet til udendørs brug.** Brug af en ledning, der er velegnet til udendørs brug, reducerer risikoen for elektrisk stød.
- f) **Hvis det ikke kan undgås at bruge et maskinværktøj i et fugtigt miljø, bør du anvende en forsyning, der er beskyttet af en fejlstrømsafbryder (RCD).** Brugen af en RCD reducerer risikoen for elektrisk stød.

### 3) Personlig sikkerhed

- a) **Vær opmærksom, hold øje med hvad du laver, og brug din sunde fornuft, når du bruger et el-værktøj. Brug ikke et el-værktøj, når du er**

**træt eller påvirket af stoffer, alkohol eller medicin.** Et øjeblikvis uopmærksomhed under brug af el-værktøj kan resultere i alvorlig personskade.

- b) **Brug personligt sikkerhedsudstyr. Bær altid beskyttelsesbriller.** Beskyttelsesudstyr såsom støvmaske, skridsikre sikkerhedssko, hjelm eller høreværn, der bruges til passende forhold, reducerer personskader.
  - c) **Undgå utilsigtet start. Sørg for, at kontakten er slukket, før du tilslutter strømkilden og/eller batteripakken, tager maskinen op eller bærer værktøjet.** Hvis el-værktøj bæres med fingeren på kontakten, eller når el-værktøj strømføres med tændt kontakt, kan der nemt ske ulykker.
  - d) **Fjern en eventuel justeringsnøgle eller skrue-nøgle, inden du tænder for el-værktøjet.** En skrue-nøgle eller en justeringsnøgle, der er fastgjort til en roterende del af el-værktøjet, kan resultere i personskade.
  - e) **Ræk ikke for langt. Hold altid et korrekt fodfæste og balancen.** Dette giver bedre kontrol over el-værktøjet i uventede situationer.
  - f) **Klæd dig korrekt. Bær ikke løst tøj eller smykker. Hold dit hår, tøj og handsker væk fra bevægelige dele.** Løst tøj, smykker eller langt hår kan sætte sig fast i bevægelige dele.
  - g) **Hvis en leveres enheder til tilslutning af støvudsugnings- og opsamlingsfaciliteter, skal du sikre, at disse er tilsluttet og bliver brugt korrekt.** Brug af støvopsamling kan reducere støvrelaterede farer.
  - h) **Lad ikke kendskab opnået gennem hyppig brug af værktøj lade dig blive tilbagelænet og ignorere værktøjssikkerhedsprincipper.** En skødesløs handling kan forårsage alvorlig personskade inden for en brøkdal af et sekund.
- ### 4) Brug og pleje af el-værktøj
- a) **Tving ikke el-værktøjet. Brug det korrekte el-værktøj til din opgave.** Det korrekte el-værktøj vil gøre et bedre stykke arbejde og vil være mere sikkert ved den hastighed, det var beregnet til.
  - b) **Brug ikke el-værktøjet, hvis kontakten ikke tænder og slukker.** Ethvert el-værktøj, der ikke kan styres med kontakten, er farligt og skal repareres.
  - c) **Tag stikket ud af strømkilden og/eller fjern batteripakken fra el-værktøjet, før du foretager justeringer, skifter tilbehør eller opbevarer el-værktøj.** Disse forebyggende sikkerhedsfor-

anstaltninger reducerer risikoen for at starte el-værktøjet ved et uheld.

- d) **Opbevar inaktivt el-værktøj uden for børns rækkevidde, og lad ikke personer, der ikke har kendskab til el-værktøjet eller disse instruktioner, betjene el-værktøjet.** El-værktøjer er farlige i hænderne på utrænede brugere.
- e) **Vedligehold el-værktøjer. Se efter forkert justering eller binding af bevægelige dele, ødelagte dele og enhver anden tilstand, der kan påvirke el-værktøjets drift. Hvis det er beskadiget, bør du få el-værktøjet repareret før brug.** Mange ulykker forårsages af dårligt vedligeholdt el-værktøj.
- f) **Hold skæreværktøj skarpt og rent.** Korrekt vedligeholdt skæreværktøjer med skarpe skærekanter har mindre tilbøjelighed til at binde og er lettere at styre.
- g) **Brug el-værktøj, tilbehør og værktøjsbor osv. i overensstemmelse med disse instruktioner under hensyntagen til arbejdsforholdene og det arbejde, der skal udføres.** Brug af el-værktøjet til andet arbejde end det tilsigtede kan resultere i en farlig situation.
- h) **Hold håndtag og gribeblader tørre, rene og fri fra olie og fedtstof.** Glatte håndtag og gribeblader giver ikke mulighed for sikker håndtering og kontrol af værktøjet i uventede situationer.

### 5) Service

- a) **Lad dit el-værktøj blive servicert af en kvalificeret reparatør, der kun bruger identiske reservedele.** Dette sikrer, at maskinværktøjet fortsat er sikkert at bruge.

### YDERLIGERE SIKKERHEDSADVARSLER FOR SLAGBOREMASKINER



*Denne maskine er velegnet til lettere arbejde. Undlad at overbelaste maskinen.*

- a) **Bær høreværn ved slagboring.** Udsættelse for støj kan forårsage høretab.
- b) **Brug hjælpehåndtag, hvis det leveres med værktøjet.** Tab af kontrol kan resultere i personskader.
- c) **Hold maskinværktøjet ved de isolerede gribeblader, når du udfører en handling, hvor skæretilbehøret muligvis kan komme i kontakt med skjulte ledningstråde eller dets egen ledning.** Hvis skæretilbehør kommer i kontakt med en strømførende ledning, kan det forårsage

at el-værktøjets eksponerede metaldele bliver strømførende og udsætter brugeren for elektrisk stød.

### El-sikkerhed

Når du bruger el-maskiner, skal du altid overholde de gældende sikkerhedsbestemmelser i dit land for at reducere risikoen for brand, elektrisk stød og personskader. Læs følgende sikkerhedsanvisninger samt de medfølgende sikkerhedsanvisninger.



*Kontrollér altid, at strømforsyningen stemmer overens med spændingen på ydelsesskiltet.*



*Klasse II-maskine - Dobbeltisolert - Du har ikke brug for et jordstik*

Hvis det ikke kan undgås at bruge et maskinværktøj i et fugtigt miljø, bør du anvende en forsyning, der er beskyttet af en fejlstrømsafbryder (RCD). Brugen af en RCD reducerer risikoen for elektrisk stød.

## 2. MASKINOPLYSNINGER

### Tilsigtet brug

Din slagboremaskine er udformet til at bore huller i træ, metal og plastik samt til hammerboring i mursten og beton.

### TEKNISKE SPECIFIKATIONER

Model nr.	ID503AC
Netspænding	220-240 V~
Netfrekvens	50/60 Hz
Indgangseffekt	1100W
Hastighed uden last (1)	0-1.200/min
Hastighed uden last (2)	0-3.100/min
Slaghastighed (1)	0-19.200/min
Slaghastighed (2)	0-49.600/min
Spændepatron størrelse	13 mm
Maks. borediamater	Træ 30 mm Beton 20 mm Stål 13 mm
Vægt	3,3 kg
Lydtrykniveau L <sub>PA</sub>	94 + 3 dB(A)
Lydtrykeffekt L <sub>WA</sub>	105 + 3 dB(A)

Boring i metal, $a_{h,D}$	4,156 + 1,5 m/s <sup>2</sup>
Slagboring i beton, $a_{h,D}$	11,897 + 1,5 m/s <sup>2</sup>

### Vibrationsniveau

Det udsendte vibrationsniveau, der er angivet i denne brugsvejledning, er blevet målt i overensstemmelse med en standardiseret test i henhold til EN62841. Den kan bruges til at sammenligne et værktøj med et andet og som en indledende vurdering af eksponering for vibration, når værktøjet bruges til de nævnte anvendelser.

- Når værktøjet bruges til forskellige anvendelser, eller med forskelligt eller dårligt vedligeholdt tilbehør, kan eksponeringsniveauet øges betydeligt.
- De gange, hvor værktøjet er slukket, eller når det er tændt, men ikke bruges til opgaven på det pågældende tidspunkt, kan det reducere eksponeringsniveauet betydeligt.

Beskyt dig mod vibrationseffekterne ved at vedligeholde værktøjet og dets tilbehør, holde dine hænder varme og organisere dine arbejdsmønstre.

### BESKRIVELSE

Tallene i teksten henviser til diagrammerne på side 2.

#### Fig. A

- Spændepatron
- Funktionsvælger
- Dybdestop
- Låseknop
- Tænd/sluk-kontakt
- Knap til hastighedsjustering
- Venstre/højre rotationskontakt
- Kontakt til gearvalg
- Sidehåndtag

#### Fig. B

10. Baghætte
11. Forhætte

## 3. MONTERING

### Montering og fjernelse af hjælpegrebet (Fig. A)

#### Montering

- Løsn hjælpegrebet (9).
- Skub hjælpegrebet (9) over spændepatronen (1).
- Drej hjælpegrebet (9) til den ønskede position.
- Stram hjælpegrebet (9).

#### Fjernelse

- Løsn hjælpegrebet (9).
- Fjern hjælpegrebet (9) fra spændepatronen (1).

### Udskiftning og fjernelse af bor (Fig. A - B)

Maskinen er velegnet til brug af følgende bor:

- Træ (HSS)
- Metal (HSS)
- Beton / murværk (hårdt metal)



*Inden du skifter bor, skal du først fjerne strømstikket fra kontakten.*



*Efterse bor regelmæssigt under brug. Sløve bor bør gøres skarpe igen eller udskiftes.*

- Åbn borepatronen (1) ved at dreje forhætten (11) med uret, mens du samtidigt holder i baghætten (10) eller drejer den mod uret, og indsæt boret i borepatronens åbning.
- Stram boret ved at dreje forhætten (11) mod uret, mens du samtidigt holder i baghætten (10) eller drejer den med uret.

### Indstilling af dybdestop (Fig. A)

- Indsæt dybdestoppet (3) i hullet i sidehåndtagsringen.
- Skub linealen til den ønskede dybde.

## 4. BETJENINGER



*Slagboringer kræver, at operatøren kun trykker meget lidt. Hvis der trykkes for meget på værktøjet, kan det føre til unødvendig overophedning af motoren samt svedning af det drevne værktøj.*

### Tænd/sluk-kontakten (Fig. A)

- Tænd for maskinen ved at trykke på tænd/sluk-kontakten (5). Når du slipper tænd/sluk-kontakten (5), slukkes maskinen.
- Rotationshastigheden kan justeres ved at trykke tænd/sluk-kontakten (5) hårdere for at hæve rotationshastigheden eller frigive trykket for at sænke rotationshastigheden.

### Låseknop (Fig. A)

- Du kan låse tænd/sluk-kontakten (5) ved at trykke på tænd/sluk-kontakten (5) og derefter trykke på låseknappen (4).

- Frigiv kontaktlåsen ved at trykke kortvarigt på tænd/sluk-kontakten (5) igen.

#### Justering af den maksimale rotationshastighed (fig. A)

- Justér hastigheden ved at dreje knappen til hastighedsvisning (6) til den ønskede maksimale rotationshastighed.

#### Sådan skiftes rotationsretningen (Fig. A)



Skift ikke rotationsretningen under brug.

- Rotationsretning mod uret: flyt venstre/højre rotationskontakt (7) til "L".
- Rotationsretning med uret: flyt venstre/højre rotationskontakt (7) til "R".

#### Funktionsvælger (Fig. A)



Med henblik på at undgå beskadigelse af maskinen må justeringen af funktionsvælgeren (2) kun udføres, når maskinen ikke kører.

- Stil funktionsvælgeren (2) på "▲" for boring.
- Stil funktionsvælgeren (2) på "■" for hammerboring.

#### Gearvælger (Fig. A)



Med henblik på at undgå beskadigelse af maskinen må justeringen af gearvælgeren (8) kun udføres, når maskinen ikke kører.

- Hvis du stiller gearvælgeren (8) i position "1", kan borehastigheden justeres til mellem 0 og 1,200 /min.
- Hvis du stiller gearvælgeren (8) i position "2", kan borehastigheden justeres til mellem 0 og 3,100 /min.
- Når gearvælgeren (8) har svært ved at skifte mellem "1" og "2", kan du dreje borepatronen (1) lidt rundt med hænderne. Dette hjælper gearene med at falde lettere på plads og gør det nemmere at skifte gear.

#### Brugertips

Brug altid maskinen, mens sidehåndtaget sidder godt fast- du vil ikke blot arbejde mere behageligt, men også mere præcist.



Forsigtig: boremaskinebor og hammerboring kan blive meget varme.

#### Boring og hammerboring

- Ved større huller, f.eks. i meget hård beton, skal du starte med at bruge et mindre bor til at udføre pilotboringen først og derefter bore til nominel størrelse.
- Hold maskinen fast med 2 hænder. Vær opmærksom på, at boret kan sætte sig fast, og at maskinen dermed pludselig kan dreje (især når der bores dybe huller).
- Anvend ikke meget tryk på maskinen. Lad maskinen gøre arbejdet.

## 5. VEDLIGEHOLDELSE



Sørg for, at maskinen ikke er spændingsførende, når der udføres vedligeholdelsesarbejde på motoren.

Rengør maskinbeklædningerne regelmæssigt med en blød klud, helst efter hver anvendelse. Sørg for, at der ikke er støv eller snavs i ventilationsåbningerne. Fjern snavs, der sidder meget godt fast, med en blød klud, der er fugtet i sæbevand. Brug ikke opløsningsmidler, som f.eks. benzin, sprit, ammoniak osv. Kemikalier som disse beskadiger de syntetiske komponenter.

## MILJØ



Defekte og/eller bortskaffede elektriske og elektroniske apparater skal afleveres på en passende genbrugsstation.

#### Kun for lande i EU

Maskinværktøj må ikke bortskaffes sammen med husholdningsaffald. Ifølge EC-direktiv 2012/19/EU om affald af elektrisk og elektronisk udstyr og dets gennemførelse i den nationale lovgivning skal maskinværktøjer, der ikke længere anvendes, afleveres separat og bortskaffes på en miljøvenlig måde.

## GARANTI

VONROC-produkter er udviklet til de højeste kvalitetsstandarder og er garanteret fri for defekter i både materialer og udførelse i den periode, der er retsligt angivet fra datoen for det originale køb. Hvis produktet skulle udvikle fejl i denne periode

på grund af defekt materiale og/eller udførelse, bedes du kontakte VONROC direkte.

Følgende omstændigheder er udelukket fra denne garanti:

- Uautoriserede servicecentre har foretaget eller gjort forsøg på at foretage reparationer og/eller ændringer på maskinen;
- Normal slitage;
- Værktøjet er blevet misbrugt, brugt forkert eller ikke passende vedligeholdt;
- Der er anvendt ikke-originale reservedele.

Dette udgør den eneste garanti, virksomheden har givet, enten udtrykt eller underforstået. Der er ingen andre garantier, udtrykt eller underforstået, som strækker sig ud over denne, herunder de underforståede garantier for salgbarhed og egnethed til et bestemt formål. Under ingen omstændigheder skal VONROC holdes ansvarlig for tilfældige skader eller følgeskader. Forhandlerens afhjælpning er begrænset til reparation eller udskiftning af afvigende enheder eller dele.

**Produktet og brugervejledningen er med forbehold for ændringer. Specifikationer kan ændres uden yderligere varsel.**

## 1. INSTRUKCJE DOTYCZACE

Przeczytać dołączone ostrzeżenia dotyczące bezpieczeństwa, dodatkowe ostrzeżenia dotyczące bezpieczeństwa oraz instrukcje. Nieprzestrzeżenie ostrzeżeń dotyczących bezpieczeństwa oraz instrukcji może prowadzić do porażenia prądem, pożaru i/lub poważnych obrażeń ciała. Zachować ostrzeżenia dotyczące bezpieczeństwa oraz instrukcje na przyszłość.

Następujące symbole są umieszczone w instrukcji obsługi lub na produkcie:



*Przeczytać instrukcje obsługi.*



*Oznacza ryzyko obrażeń ciała, śmierci lub uszkodzenia narzędzia w razie nieprzestrzeżenia poleceń z instrukcji.*



*Ryzyko porażenia prądem.*



*Niezwłocznie odłączyć wtyczkę zasilania sieciowego od gniazdka sieciowego, jeśli przewód zasilania sieciowego zostanie uszkodzony, a także na czas czyszczenia i konserwacji.*



*Używać gogli ochronnych.  
Stosować osłonę dla uszu.*



*Nos maske przeciwpyłowa.*



*Maszyna klasy II - Podwójna izolacja - Nie trzeba stosować wtyczek z uziemieniem.*



*Zmienna predkosć elektroniczna.*



*Obroty, w lewo/prawo.*



*Nie wyrzucać produktu do nieodpowiednich pojemników.*



*Produkt spełnia wymogi odpowiednich norm bezpieczeństwa podanych w dyrektywach UE.*

## OGÓLNE ZALECENIA DOTYCZĄCE BEZPIECZEŃSTWA



**UWAGA! Przeczytać wszystkie ostrzeżenia dotyczące bezpieczeństwa i wszystkie instrukcje.** Nieprzestrzeganie wszystkich poniższych instrukcji może być przyczyną porażenia prądem, pożaru i/lub poważnych obrażeń.

### Zachowaj poniższe instrukcje.

Termin „elektronarzędzia akumulatorowe” we wszystkich ostrzeżeniach zamieszczonych poniżej odnosi się do elektronarzędzi akumulatorowych zasilanych sieciowo (przewodowych) lub elektronarzędzi akumulatorowych działających na baterie (beprzewodowych).

#### 1) Obszar roboczy

- a) **Obszar roboczy należy utrzymywać w czystości.** Powinien on być dobrze oświetlony. Nieład i złe oświetlenie mogą z łatwością doprowadzić do wypadku.
- b) **Nie korzystaj z elektronarzędzi akumulatorowych w warunkach, w których łatwo może dojść do wybuchu, np. w obecności łatwopalnych cieczy, gazów lub pyłu.** Podczas pracy elektronarzędzi akumulatorowych powstają iskry, które mogą doprowadzić do zapłonu pyłu lub oparów.
- c) **Dzieci i inne osoby postronne powinny pozostać w bezpiecznej odległości od pracującego urządzenia.** Rozproszenie uwagi może spowodować utratę kontroli nad urządzeniem.

#### 2) Bezpieczeństwo związane z elektrycznością

- a) **Wtyczki elektronarzędzi akumulatorowych muszą być odpowiednie do danego gniazda. Pod żadnym pozorem nie należy modyfikować wtyczki w jakikolwiek sposób. Nie należy używać adapterów, które uziemiają elektronarzędzia akumulatorowe.** Stosowanie wtyczek nie poddanych modyfikacjom oraz odpowiednich gniazd zmniejsza ryzyko porażenia prądem.
- b) **Należy unikać bezpośredniego kontaktu fizycznego z powierzchniami uziemionymi, takimi jak rury, grzejniki, kuchenki, lodówki.** Ryzyko porażenia prądem jest większe, jeśli ciało osoby obsługującej urządzenie jest uziemione.
- c) **Nie należy wystawiać elektronarzędzi akumulatorowych na działanie deszczu lub wilgoci.** Dostanie się wody do wnętrza elektronarzędzia akumulatorowego zwiększy ryzyko porażenia prądem.
- d) **Nie należy używać przewodu w niewłaściwy spo-**

**sób.** Pod żadnym pozorem nie należy wykorzystywać przewodu do przenoszenia lub ciągnięcia elektronarzędzia akumulatorowego, ani do jego odłączania od sieci. Przewodu nie należy wystawiać na działanie ciepła, smarów. Powinien on znajdować się w bezpiecznej odległości od ostrych krawędzi i części ruchomych. Przewody uszkodzone lub poplątane zwiększają ryzyko porażenia prądem.

- e) **Podczas korzystania z elektronarzędzia akumulatorowego na wolnym powietrzu, należy używać przewodu przedłużacza przystosowanego do użytku na zewnątrz.** Używanie przewodu nadającego się do użytku na wolnym powietrzu zmniejsza ryzyko porażenia prądem.
  - f) **Jeśli obsługa elektronarzędzia w wilgotnym miejscu jest nieunikniona, użyć zasilania wyposażonego w wyłącznik różnicowo-prądowy.** Użycie wyłącznika różnicowo-prądowego zmniejsza ryzyko porażenia prądem.
- #### 3) Bezpieczeństwo osoby obsługującej urządzenie
- a) **Przez cały czas należy mieć się na baczności, uważać na to, co się robi, a w czasie obsługi elektronarzędzia akumulatorowego postępować mając na uwadze zdrowy rozsądek. Urządzenia nie powinny obsługiwać osoby zmęczone lub będące pod wpływem narkotyków, alkoholu lub leków.** Chwila nieuwagi w czasie obsługi elektronarzędzi akumulatorowych może być przyczyną powstania poważnych obrażeń ciała.
  - b) **Należy korzystać ze sprzętu ochronnego oraz zawsze nosić okulary ochronne.** Sprzęt ochronny, jak na przykład maska przeciwpyłowa, antypoślizgowe obuwie ochronne, kask lub słuchawki ochronne używany we właściwych sytuacjach pozwoli na zmniejszenie ryzyka obrażeń ciała.
  - c) **Unikać niezamierzonego uruchomienia. Przed podłączeniem urządzenia do sieci, zawsze sprawdzić, czy przełącznik znajduje się w pozycji „wyłączony”.** Przenoszenie elektronarzędzi z palcem na przełączniku lub włączonych elektronarzędzi z przełącznikiem w położeniu włączenia jest bardzo niebezpieczne i może powodować wypadki.
  - d) **Przed włączeniem elektronarzędzia akumulatorowego należy usunąć z niego wszystkie klucze nastawcze lub maszynowe.** Pozostawienie klucza zamocowanego na jednej z części obrotowych urządzenia może spowodować powstanie obrażeń ciała.
  - e) **Nie należy sięgać ponad urządzeniem. Przez cały**

- czas należy zachować odpowiednią równowagę i zapewnić odpowiednie oparcie dla stóp. Pozwoli to na lepsze kontrolowanie urządzenia w nieoczekiwanych sytuacjach.
- f) **Należy nosić odpowiednie ubranie. Do pracy z urządzeniem nie wkładać luźnych ubrań ani biżuterii. Włosy, ubranie i rękawiczki trzymać z dala od części ruchomych.** Luźne części ubrania, biżuteria lub długie włosy mogą zostać wciągnięte przez części ruchome.
- g) **Jeśli w urządzeniu przewidziano elementy służące do odprowadzania i zbierania pyłu, należy sprawdzić, czy są podłączone, i czy działają we właściwy sposób.** Korzystanie z tego typu elementów pozwala ograniczyć ryzyko związane z wydzielaniem pyłu podczas pracy urządzenia.
- h) **Nie zezwalać na to, aby rutyna związana z częstym korzystaniem z narzędzi powodowała nadmierną pewność siebie i ignorowanie zasad bezpiecznego korzystania z narzędzi.** Nieodpowiedzialne działanie może spowodować poważne obrażenia ciała w ułamku sekundy.
- 4) Obsługa i konserwacja elektronarzędzi akumulatorowych**
- a) **Urządzenia nie należy przeciągać. Należy korzystać z narzędzia odpowiedniego do danego typu pracy.** Odpowiednio dobrane urządzenie pozwoli na lepsze i bezpieczniejsze wykonanie pracy, we właściwym dla urządzenia tempie.
- b) **Z elektronarzędzia akumulatorowego nie należy korzystać, jeśli nie można go włączyć i wyłączyć przy pomocy przełącznika.** Urządzenie, którego nie można kontrolować używając przełącznika jest niebezpieczne i powinno być oddane do naprawy.
- c) **Przed przystąpieniem do regulowania elektronarzędzi akumulatorowych, wymiany akcesoriów lub przygotowywania urządzeń do okresu przechowywania, należy odłączyć wtyczkę od źródła zasilania.** Tego typu środki ostrożności zmniejszają ryzyko przypadkowego uruchomienia urządzenia.
- d) **Nieczynne elektronarzędzia akumulatorowe należy przechowywać poza zasięgiem dzieci. Nie należy pozwolić, aby osoby nie znające urządzenia lub niniejszych instrukcji obsługiwały urządzenie.** Elektronarzędzia akumulatorowe w rękach niekompetentnych użytkowników stanowią zagrożenie.
- e) **Elektronarzędzia akumulatorowe należy utrzymywać w dobrym stanie technicznym. Należy sprawdzać, czy części ruchome są właściwie założone, i czy się nie zacinają. Należy również sprawdzać, czy jakieś części nie są uszkodzone oraz sprawdzać wszelkie inne elementy, które mogą wpłynąć na pracę urządzeń. Jeśli urządzenie jest uszkodzone, przed przystąpieniem do jego użytkowania, należy je naprawić.** Częstą przyczyną wypadków jest zły stan techniczny urządzeń.
- f) **Narzędzia służące do cięcia powinny być naostrzone i utrzymywane w czystości.** Jeśli narzędzia służące do cięcia, które posiadają ostre krawędzie tnące, są właściwie konserwowane, istnieje mniejsze prawdopodobieństwo ich zacinań się. Ponadto, łatwiej je kontrolować.
- g) **Elektronarzędzia akumulatorowego, akcesoriów, nakładek, itp. należy używać zgodnie z niniejszymi instrukcjami oraz w sposób właściwy dla danego rodzaju urządzenia, z uwzględnieniem warunków pracy oraz jej rodzaju.** Używanie urządzenia niezgodnie z przeznaczeniem może prowadzić do powstania sytuacji niebezpiecznych.
- h) **Uchwyty należy utrzymywać w stanie suchym, czystym i niezabrudzonym olejem lub smarem.** Śliskie uchwyty i powierzchnie do chwytania nie pozwalają na bezpieczne obchodzenie się z narzędziem i panowanie nad nim w nieoczekiwanych sytuacjach.
- 5) Serwis**
- a) **Zlecać serwisowanie elektronarzędzie wykwalifikowanemu technikowi stosującymi jedynie części zamienne identyczne z oryginalnymi.** Zapewni to zachowanie bezpieczeństwa elektronarzędzia.

## DOPLŇKOVÁ BEZPEČNOSTNÍ VAROVÁNÍ PRO PŘÍKLEPOVÉ VRŤÁČKY



*Ta maszyrna jest przeznaczona do pracy z niskim obciążeniem. Nie przeciągać maszyny.*

- a) **Při přiklepovém vrtání použijte ochranu sluchu.** Působení hluku může způsobit ztrátu sluchu.
- b) **Použijte přídatnou rukojeť, je-li dodána s nářadím.** Ztráta kontroly nad nářadím může vést k způsobení zranění.
- c) **Při provádění prací, během kterých se může pracovní nástroj dostat do kontaktu se skrytým**



**elektrickým vedením nebo s vlastním napájecím kabelem, držte elektrické nářadí pouze za izolovaná místa určená pro úchop.** Pracovní příslušenství, které se dostane do kontaktu s „živým“ elektrickým vodičem, může způsobit, že nechráněné kovové části nářadí budou také „živé“, což by mohlo vést k úrazu obsluhy elektrickým proudem.

### Elektrická bezpečnost

Používáte-li elektrická zařízení, vždy dodržujte platné bezpečnostní předpisy, aby bylo omezeno riziko způsobení požáru, úrazu elektrickým proudem nebo zranění osob. Přečtěte si následující bezpečnostní pokyny i přiložené bezpečnostní pokyny.



*Vždy zkontrolujte, zda napájecí napětí sítě odpovídá napájecímu napětí na štítku nářadí.*



*Nářadí třídy II - Dvojitá izolace - není nutné použití uzemňovacího vodiče.*

Musíte-li používat toto elektrické nářadí ve vlhkém prostředí, použijte v elektrickém obvodu proudový chránič (RCD). Použití proudového chrániče (RCD) snižuje riziko úrazu elektrickým proudem.

## 2. INFORMACE O NÁŘADÍ

### Určené použití

Vaše příklepová vrtačka je určena pro vrtání otvorů do dřeva, kovu a plastu a pro příklepové vrtání do cihel a betonu.

### TECHNICKÉ ÚDAJE

Nr modelu	ID503AC
Napájecí napětí	220-240 V~
Frekvence	50/60 Hz
Příkon	1100W
Otáčky naprázdno (1)	0-1.200/min
Otáčky naprázdno (2)	0-3.100/min
Počet rázů (1)	0-19.200/min
Počet rázů (2)	0-49.600/min
Rožměr sklíčidla	13 mm
Max. průměr vrtáku	Dřevo 30 mm Beton 20 mm Ocel 13 mm

Hmotnost	3,3 kg
Poziom cisnienia akustycznego $L_{pA}$	94 + 3 dB(A)
Poziom mocy akustycznej $L_{WA}$	105 + 3 dB(A)
Vrtání do kovu, $a_{h,D}$	4,156 + 1,5 m/s <sup>2</sup>
Příklepové vrtání do betonu, $a_{h,ID}$	11,897 + 1,5 m/s <sup>2</sup>

### Poziom drgaň

Poziom emisji drgaň podany w tej instrukcji obsługi został zmierzony zgodnie ze standaryzowanym testem podanym w normie EN62841; może on służyć do porównywania narzędzi ze sobą oraz do wstępnego oszacowania ekspozycji na drgania podczas użytkowania narzędzia do podanych zastosowań

- używanie narzędzia do innych zastosowań lub z innymi lub źle konserwowanymi akcesoriami może znacząco zwiększać poziom ekspozycji
- okresy, gdy narzędzie jest wyłączone lub okresy, gdy jest włączone, ale nie pracuje, mogą znacząco zmniejszać poziom ekspozycji

Chronić się przed wpływem drgaň, konserwując odpowiednio narzędzie i akcesoria, utrzymując ciepłotę dłoni oraz odpowiednio organizując pracę.

### OPIS

Liczby w tekście odnoszą się do rysunków na stronie 2.

### Rys. A

1. Uchwyt
2. Przełącznik wyboru funkcji
3. Blokada głębokości
4. Przycisk blokady
5. Włącznik
6. Pokrętko regulacji obrotów
7. Przełącznik kierunku obrotów
8. Przełącznik wyboru biegu
9. Uchwyt boczny

### Rys. B

10. Tylna tuleja
11. Przednia tuleja

## 3. MONTAŻ

### Mocowanie i demontaż uchwyt pomocniczego (Rys. A)

#### Montaż

- Poluzować uchwyt pomocniczy (9).

- Nasunąć uchwyt pomocniczy (9) na uchwyt (1).
- Przekręcić uchwyt pomocniczy (9) w żądane położenie.
- Dokręcić uchwyt pomocniczy (9).
- Prędkość obrotową można regulować, wciskając włącznik (5) mocniej w celu zwiększenia prędkości, lub zwalniając nacisk w celu zmniejszenia prędkości obrotowej.

#### Demontaż

- Poluzować uchwyt pomocniczy (9).
- Zdjąć uchwyt pomocniczy (9) z uchwytu (1).

#### Wymiana i wyjmowanie wiertła (Rys. A - B)

Urządzenie jest przystosowane do używania następujących wiertła:

- Drewno (HSS)
- Metal (HSS)
- Beton / kamień (twardy metal)



*Przed wymianą wiertła najpierw odłączyć wtyczkę zasilania z gniazdka.*



*Sprawdzać wiertła regularnie podczas użytkowania. Tępe wiertła należy naostrzyć lub wymienić.*

- Otworzyć uchwyt (1), obracając przednią tuleję (11) zgodnie ze wskazówkami zegara, jednocześnie trzymając tylną tuleję (10) lub obracając ją przeciwnie do wskazówek zegara, a następnie włożyć wiertło w otwór uchwytu.
- Dokręcić wiertło, przekręcając przednią tuleję (11) przeciwnie do wskazówek zegara, jednocześnie trzymając tylną tuleję (10) lub obracając ją zgodnie ze wskazówkami zegara.

#### Ustawianie blokady głębokości (Rys. A)

- Włożyć blokadę głębokości (3) przez uchwyt w pierścieniu uchwytu bocznego.
- Wsunąć pręt blokady, ustawiając podziałkę na odpowiednią głębokość wiercenia.

## 4. OBSŁUGA



*Wiertarki udarowe wymagają stosowania bardzo niewielkiego nacisku przez operatora. Nadmierny nacisk wywierany na narzędzie może prowadzić do niepotrzebnego przegrzewania silnika oraz spalania napędzanego narzędzia.*

#### Włącznik (Rys. A)

- Włączyć maszynę, wciskając włącznik (5). Po zwolnieniu włącznika (5) maszyna wyłączy się.

#### Przycisk blokady (Rys. A)

- Można zablokować włącznik (5), naciskając włącznik (5), a następnie naciskając przycisk blokady (4).
- Aby zwolnić blokadę włącznika, ponownie nacisnąć włącznik (5) na chwilę.

#### Regulacja maksymalnej prędkości obrotowej (Rys. A)

- Wyregulować prędkość, obracając pokrętko regulacji obrotów (6) na żądaną maksymalną prędkość obrotową.

#### Przełączanie kierunku obrotów (Rys. A)



*Nie zmieniać kierunku obrotów podczas użytkowania.*

- Kierunek obrotów przeciwnie do wskazówek zegara: przestawić przełącznik kierunku (7) na "L".
- Kierunek obrotów zgodnie ze wskazówkami zegara: przestawić przełącznik kierunku (7) na "P".

#### Przełącznik wyboru funkcji (Rys. A)



*W celu uniknięcia uszkodzenia maszyny, przełącznik wyboru funkcji (2) można przestawiać jedynie wtedy, gdy maszyna nie pracuje*

- Ustawić przełącznik wyboru funkcji (2) na "▲", aby wiercić.
- Ustawić przełącznik wyboru funkcji (2) na "■", aby wiercić z udarem.

#### Przełącznik wyboru biegu (Rys. A)



*W celu uniknięcia uszkodzenia maszyny, przełącznik wyboru biegu (8) można przestawiać jedynie wtedy, gdy maszyna nie pracuje.*

- Po przestawieniu przełącznika wyboru biegu (8) w położenie "1" obroty wiercenia można regulować w zakresie od 0 do 1200 obr./min.
- Po przestawieniu przełącznika wyboru biegu (8) w położenie "2" obroty wiercenia można regulować w zakresie od 0 do 3,100 obr./min.
- Jeśli przestawianie przełącznika wyboru biegu (8) pomiędzy położeniami "1" i "2" jest utrudnione

one, obrócić lekko uchwyt (1) rękami. Pozwoli to na poprawne ustawienie biegu i ułatwi przełączanie biegów.

### Porady dla użytkownika

Zawsze używać maszyny z dobrze zamocowanym uchwytem bocznym - nie tylko zapewni to większą wygodę pracy, ale również zwiększy jej dokładność.



*Przeostroża: wiertła i wiertła do wiercenia udarowego mogą się bardzo nagrzewać.*

### Wiercenie i wiercenie udarowe

- W przypadku dużych otworów, na przykład w bardzo twardym betonie, użyć najpierw mniejszego wiertła w celu wykonania otworu wstępnego, a następnie użyć wiertła o docelowej średnicy.
- Trzymać maszynę mocno dwiema rękami. Pamiętaj, że wiertło może utknąć, a z tego powodu maszyna może się nagle obrócić (szczególnie podczas wiercenia głębokich otworów).
- Nie dociskać mocno maszyny, tylko pozwolić jej wykonać swoją pracę.

## 5. KONSERWACJA



*Należy pamiętać, by urządzenie nie pozostawało pod napięciem podczas zabiegów konserwacyjnych.*

Czyścić obudowę maszyny regularnie miękką ściereczką, najlepiej po każdym użyciu. Dopilnować, aby otwory wentylacyjne były wolne od pyłu, kurzu i zabrudzeń. Usuwać odporne zabrudzenia miękką ściereczką zwilżoną mydlinami. Nie używać żadnych rozpuszczalników, takich jak benzyna, alkohol, amoniak itp. Takie substancje chemiczne spowodują uszkodzenie części z tworzyw sztucznych.

## ŚRODOWISKO



*Uszkodzone i/lub niepotrzebne urządzenia elektryczne lub elektroniczne podlegają zbiórce w odpowiednich punktach recyklingu.*

### Tylko kraje WE

Nie wyrzucać elektronarzędzi wraz z odpadami z gospodarstw domowych. Zgodnie z dyrektywą 2012/19/EU dotyczącą zużytych urządzeń elektrycznych i elektronicznych oraz jej wdrożeniem do

prawodawstwa krajowego, elektronarzędzia, które już nie nadają się do użytku, podlegają oddzielnej zbiórce oraz utylizacji w sposób przyjazny dla środowiska.

## GWARANCJA

Produkty VONROC są wytwarzane zgodnie z najwyższymi standardami jakości i producent udziela gwarancji na wady materiałowe i wady wykonania na okres wymagany prawem, licząc od dnia zakupu. Jeśli wystąpi usterka produktu w tym okresie spowodowana wadą materiałową i/lub wadą wykonania, proszę bezpośrednio skontaktować się ze sprzedawcą VONROC.

Następujące okoliczności powodują unieważnienie gwarancji:

- Przeprowadzono naprawy lub modyfikacje narzędzia w serwisie innym lub autoryzowany lub podjęto ich próbę;
- Normalne zużycie nie jest objęte gwarancją;
- Narzędzie było używane niezgodnie z przeznaczeniem, zle z nim się obchodzono lub było nieprawidłowo konserwowane;
- Użyto części zamiennych innych niż oryginalne.

Niniejsza gwarancja to wyłączna gwarancja producenta i nie obowiązują żadne inne wyrażone ani dorozumiane gwarancje. Nie obowiązują żadne inne wyrażone ani dorozumiane gwarancje o zakresie przekraczającym niniejszą gwarancję, co obejmuje dorozumiane gwarancje przydatności do sprzedaży i przydatności do określonego celu. W żadnym przypadku firma VONROC nie ponosi odpowiedzialności za straty przypadkowe lub wynikowe. Zadośćuczynienie sprzedawcy jest ograniczone do naprawy lub wymiany niezgodnych urządzeń lub części.

**Produkt i instrukcja obsługi podlegają zmianom. Dane techniczne podlegają zmianom bez uprzedzenia.**

## 1. INSTRUCȚIUNI DE SIGURANȚĂ

Citiți avertizările de siguranță, avertizările de siguranță suplimentare și instrucțiunile. Nerespectarea avertizărilor de siguranță poate cauza producerea de electrocutări, incendii și/sau răniri grave. Păstrați avertizările de siguranță și instrucțiunile pentru referințe viitoare.

În manualul de utilizare sau pe produs se utilizează următoarele simboluri:



*Citiți manualul de utilizare.*



*Indică riscul de rănire personală, pierderea vieții sau deteriorarea sculei în cazul în care nu se respectă instrucțiunile din acest manual.*



*Pericol de electrocutare.*



*Îndepărtați imediat fișa de la priza de rețea în cazul în care cablul de alimentare se deteriorează în timpul procedurilor de curățare și de întreținere.*



*Purtați ochelari de protecție.  
Purtați protecții antifonice.*



*Purtați o mască antipraf.*



*Mașină clasa II - Izolație dublă - Nu aveți nevoie de nicio priză împământată.*



*Turație variabilă electronic.*



*rotație, stânga/dreapta.*



*Nu scoateți din uz produsul în containere neadecvate.*



*Produsul este în conformitate cu standardele de siguranță aplicabile din directivele europene.*

### AVERTISMENTE GENERALE DE SIGURANȚĂ PRIVIND UNELTELE ELECTRICE



**AVERTISMENT! Citiți toate avertismentele de siguranță și toate instrucțiunile.**

*Nerespectarea avertismentelor și instrucțiunilor poate cauza producerea de electrocutări, incendii și/sau răniri grave.*

**Păstrați toate avertismentele și instrucțiunile pentru consultare ulterioară.** Termenul „unealtă electrică” din avertisment se referă la scula electrică (cu fir) sau la unealta electrică cu baterie (fără fir).

#### 1) Siguranța zonei de lucru

- Păstrați zona de lucru curată și bine iluminată.** Zonele dezordonate sau întunecate duc la accidente.
- Nu operați uneltele electrice în atmosfere explozive, cum ar fi în prezența lichidelor, gazelor sau pulberilor explozive.** Uneltele electrice generează scânteii care pot aprinde pulberea sau fumurile inflamabile.
- Țineți la distanță copiii și persoanele din jur în timp ce operați o unealtă electrică.** Distragerile vă pot cauza pierderea controlului.

#### 2) Siguranța electrică

- Ștecherile uneltelor electrice trebuie să se potrivească cu priza. Nu modificați niciodată în nici un fel mufele. Nu folosiți adaptoare de priză cu scule electrice legate de pământ (împământate).** Mufele nemodificate și prizele adecvate reduc riscul șocului electric.
- Evitați contactul corpului cu suprafețele împământate precum țevi, radiatoare, cuptoare și frigidere.** Există un risc mai mare de electrocutare dacă vă este corpul împământat.
- Nu expuneți uneltele electrice la ploaie sau condiții de umezeală.** Apa care pătrunde într-o unealtă electrică va spori riscul de electrocutare.
- Nu manipulați necorespunzător cablul. Nu folosiți niciodată cordonul pentru a purta, a trage sau a deconecta unealta. Feriți cordonul de căldură, ulei, margini ascuțite sau piese mobile.** Cordoane distruse sau încurcate cresc riscul de electrocutare.
- Atunci când operați o unealtă de lucru în aer liber, utilizați un cablu prelungitor pentru exterior.** Folosirea unui cordon potrivit pentru utilizarea în exterior reduce riscul de șoc electric.
- În cazul în care operarea unei unelte electrice într-un spațiu cu umiditate nu poate fi evitată, utilizați o alimentare cu protecție pentru dispozitivele de curent rezidual (RCD).** Utilizarea unui RCD reduce riscul de electrocutare.

### 3) Siguranța personală

- a) **Fiți precauți, fiți atenți la ceea ce faceți și respectați regulile de bun simț atunci când operați o unealtă electrică. Nu utilizați o unealtă electrică atunci când sunteți obosit sau sub influența medicamentelor, alcoolului sau medicației.** Un moment de neatenție în timpul operării uneltelor electrice poate conduce la vătămări corporale grave.
- b) **Utilizați echipamentul de protecție corporală. Purtați întotdeauna protecție pentru ochi.** Echipamentul de protecție precum masca de praf, pantofii de protecție antiderapanți, casca de protecție sau protecția auzului utilizate în condiții adecvate vor reduce rănilor personale.
- c) **Preîntâmpinați pornirea accidentală. Asigurați-vă că comutatorul este în poziția-oprit înainte de a vă conecta la sursa de alimentare și / sau la baterie, de a ridica sau purta instrumentul.** Purtarea de unelte electrice ținând degetul pe comutator sau alimentarea uneltelor electrice care au comutatorul pornit duce la accidente.
- d) **Îndepărtați orice cheie sau clește de reglare înainte de a porni unealta electrică.** O cheie sau un clește rămas atașat la o componentă rotativă a unelei electrice poate conduce la vătămări corporale.
- e) **Nu vă întindeți pentru a apuca unealta de lucru. Mențineți-vă întotdeauna stabilitatea și echilibrul.** Acest lucru permite un control mai bun al unelei electrice în situații neașteptate.
- f) **Îmbrăcați-vă corespunzător. Nu purtați haine largi sau bijuterii. Țineți-vă părul, îmbrăcămintea și mânușile departe de piesele mobile.** Hainele largi, bijuteriile sau părul lung pot fi prinse în părțile mobile.
- g) **În cazul în care dispozitivele prezintă posibilitatea conectării de accesorii pentru aspirația și colectarea prafului, asigurați-vă că aceste accesorii sunt conectate și utilizate în mod corespunzător.** Utilizarea colectării prafului poate reduce pericolele legate de praf.
- h) **Nu lăsați ca obișnuința obținută prin utilizarea frecventă a uneltelor să vă permită să deveniți imposibil și să ignorați principiile de siguranță în utilizarea uneltelor.** O acțiune neglijentă poate provoca accidente grave într-o fracțiune de secundă.

### 4) Utilizarea și îngrijirea unelei electrice

- a) **Nu forțați unealta electrică. Utilizați unealta electrică adecvată aplicației dvs.** Unealta

electrică corectă va face munca mai bine și mai sigur la rata pentru care a fost proiectată.

- b) **Nu utilizați unealta electrică în cazul în care întrerupătorul nu comută în poziția pornit și oprit.** Orice unealtă electrică care nu poate fi controlată cu comutatorul este periculoasă și trebuie reparată.
  - c) **Deconectați ștecherul de la sursa de alimentare și/sau acumulatorul de la unealta electrică înainte efectuării oricăror reglaje, modificării accesoriilor sau depozitării uneltelor electrice.** Aceste măsuri preventive de precauție reduc riscul de pornire accidentală.
  - d) **Nu depozitați unelte electrice în stare inactivă la îndemâna copiilor și nu permiteți persoanelor nefamiliarizate cu unealta de lucru sau cu aceste instrucțiuni să o utilizeze.** Unelte electrice sunt periculoase în mâinile utilizatorilor neinstruiți.
  - e) **Efectuați întreținerea uneltelor electrice. Verificați dacă piesele mobile sunt nealiniate sau înțepenite, dacă există piese sparte și în orice altă stare care poate să afecteze operarea unelei electrice. În cazul deteriorării, reparați unealta electrică înainte de uz.** Multe accidente sunt cauzate de unelte electrice slab întreținute.
  - f) **Păstrați unelte de tăiat ascuțite și curate.** Unelte de tăiat corect întreținute cu muchii ascuțite au mai puține șanse să se lege și sunt mai ușor de controlat.
  - g) **Utilizați unealta electrică, accesoriile și cuțitele unelei etc. conform acestor instrucțiuni, ținând cont de condițiile de lucru și de lucrarea ce trebuie să fie efectuată.** Utilizarea unelei electrice pentru operații diferite de cele pentru care a fost proiectată poate avea ca rezultat o situație periculoasă.
  - h) **Țineți mânerul și suprafețele de prindere uscate, curate și lipsite de ulei și unsoare.** Mânere și suprafețele de prindere alunecoase nu permit manipularea și controlul unelei în de siguranță în situații neașteptate.
- ### 5) Service
- a) **Prevedeți repararea unelei de lucru de către o persoană calificată, folosind exclusiv piese de schimb identice.** Acest lucru va garanta păstrarea în siguranță a unelei electrice.

## AVERTIZĂRI DE SIGURANȚĂ SUPLIMENTARE PENTRU MAȘINILE DE GĂURIT CU IMPACT



Această mașină este potrivită pentru lucrări ușoare. Nu suprasolicitați mașina.

- Purtați echipament de protecție pentru urechi în cazul utilizării uneltelor cu percuție.**Expunerea la zgomot poate determina pierderea auzului.
- Utilizați mânerul(ele) auxiliare, dacă au fost furnizate împreună cu unealta.** Pierderea controlului poate duce la rănire personală.
- Țineți unealta numai de suprafețele de prindere izolate atunci când efectuați o operație în care accesoriul de tăiere ar putea atinge cablaje ascunse sau propriul cablu de alimentare.** Tăierea unui cablu sub tensiune de către accesoriul de debitat ar putea determina scurgerea curentului în componentele metalice expuse ale unelei electrice și ar putea electrocuta operatorul.

### Instrucțiuni de siguranță privind alimentarea electrică

Atunci când folosiți aparate electrice, respectați întotdeauna reglementările de siguranță aplicabile în țara dumneavoastră, pentru a reduce riscul de incendii, electrocutare și rănire personală. Citiți următoarele instrucțiuni de siguranță și, de asemenea, instrucțiunile de siguranță atașate.



Verificați întotdeauna ca alimentarea cu energie să corespundă tensiunii de pe plăcuța cu specificații.



Mașină clasa II - Izolație dublă - Nu aveți nevoie de nicio priză de împământare

În cazul în care este necesară operarea sculei electrice într-o locație cu umiditate, folosiți un dispozitiv de curent rezidual (RCD) cu alimentare protejată. Utilizarea unui RCD reduce riscul de electrocutare.

## 2. INFORMAȚII CU PRIVIRE LA MAȘINA

### Domeniul de utilizare

Bormașina cu impact a fost proiectată pentru găurirea lemnului, metalului și a materialelor plastice și pentru găurirea cu percuție a zidăriei și a betonului.

## SPECIFICAȚII TEHNICE

Nr. model	ID503AC
Tensiune rețea	220-240 V~
Frecvența prizei	50/60 Hz
Puterea de alimentare	1100W
Turație la mers în gol (1)	0-1.200/min
Turație la mers în gol (2)	0-3.100/min
Viteza percuției (1)	0-19.200/min
Viteza percuției (2)	0-49.600/min
Dimensiune mandrină	13 mm
Diametru max. de găurire	Lemn 30 mm Beton 20 mm Oțel 13 mm
Greutate	3,3 kg
Nivelul presiunii sonore $L_{PA}$	94 + 3 dB(A)
Nivelul puterii sonore $L_{WA}$	105 + 3 dB(A)
Găurirea în metal, $a_{h,D}$	4,156 + 1,5 m/s <sup>2</sup>
Găurirea cu percuție în beton, $a_{h,10}$	11,897 + 1,5 m/s <sup>2</sup>

### Nivelul vibrațiilor

Nivelul emisiilor de vibrații menționat în acest manual de instrucțiuni a fost măsurat în conformitate cu un test standardizat precizat în EN62841; poate fi folosit pentru a compara o sculă cu alta și ca evaluare preliminară a expunerii la vibrații atunci când folosiți scula pentru aplicațiile menționate.

- Utilizarea unei alte aplicații diferite sau cu accesorii diferite și prost întreținute, poate crește semnificativ nivelul de expunere.
- Momentele în care unealta este oprită sau când funcționează dar nu execută nicio lucrare, pot reduce semnificativ nivelul de expunere.

Protejați-vă împotriva efectelor vibrațiilor prin întreținerea sculei și a accesoriilor sale, păstrând mâinile calde și organizând procesele de lucru.

### DESCRIERE

Numerale din text se referă la diagramele de la pagina 2.

### Fig. A

- Mandrină
- Comutator selectare funcție
- Limitator de adâncime
- Buton de blocare

5. Comutator de pornire/oprire
6. Rotiță de reglare a vitezei
7. Comutator de selectare rotație stânga/dreapta
8. Comutator selectare viteză
9. Mâner lateral

**Fig. B**

10. Manșon spate
11. Manșon față

**3. ASAMBLAREA****Montarea și demontarea mânerului auxiliar (Fig. A)****Montarea**

- Slăbiți mânerul auxiliar (9).
- Glisați mânerul auxiliar (9) peste mandrină (1).
- Rotiți mânerul auxiliar (9) în poziția dorită.
- Strângeți mânerul auxiliar (9).

**Demontarea**

- Slăbiți mânerul auxiliar (9).
- Scoateți mânerul auxiliar (9) din mandrină (1).

**Înlocuirea și îndepărtarea accesoriilor de perforare (Fig. A - B)**

Mașina este potrivită pentru utilizarea următoarelor burghie:

- Lemn (HSS)
- Metal (HSS)
- Beton / zidărie (metal dur)



*Înainte de a schimba burghiile, scoateți mai întâi ștecherul de la priza de perete.*



*Inspectați burghiile în mod regulat în timpul utilizării. Burghiile neascuțite trebuie reascuțite sau înlocuite.*

- Deschideți mandrina (1) rotind manșonul frontal (11) în sens orar în timp ce țineți simultan manșonul din spate (10) sau îl rotiți în sens antiorar și introduceți burghiul în deschiderea mandrinei.
- Strângeți burghiul rotind manșonul frontal (11) în sens antiorar în timp ce țineți simultan manșonul din spate (10) sau îl rotiți în sens orar.

**Setarea opritorului de adâncime (Fig. A)**

- Introduceți opritorul de adâncime (3) în orificiul din inelul mânerului lateral.
- Glisați rigla la adâncimea dorită.

**4. OPERAȚIUNI**

*Bormașinile cu impact necesită o presiune mică din partea operatorului. Presiunea excesivă aplicată pe scula poate duce la supraîncălzirea nedorită a motorului și arderea aparatului acționat.*

**Comutatorul de pornire/oprire (Fig. A)**

- Porniți mașina apăsând comutatorul pornire/oprire (5). După ce eliberați comutatorul pornire/oprire (5), mașina se va opri.
- Viteza de rotație poate fi reglată apăsând comutatorul pornire/oprire (5), mai ferm pentru creșterea vitezei de rotație sau cu presiune redusă pentru scăderea vitezei de rotație.

**Butonul de blocare (Fig. A)**

- Blocați comutatorul pornire/oprire (5) apăsând comutatorul pornire/oprire (5) și apoi apăsând butonul de blocare (4).
- Pentru a elibera blocajul comutatorului, apăsați scurt comutatorul pornire/oprire (5).

**Reglarea vitezei maxime de rotație (Fig. A)**

- Reglați viteza acționând rotița de reglare a vitezei (6) până a ajunge la viteza maximă de rotație.



**Comutarea direcției de rotație (Fig. A)**

*Nu schimbați direcția de rotație în timpul utilizării.*

- Direcție de rotație în sens antiorar: mutați comutatorul dreapta/stânga (7) în poziția „L”.
- Direcție de rotație în sens orar: mutați comutatorul dreapta/stânga (7) în poziția „R”.

**Comutator de selecție a funcției (Fig. A)**

*Pentru a evita defectarea mașinii, reglarea comutatorului de selectare a funcției (2) trebuie realizată numai când mașina nu este în funcțiune.*

- Setări comutatorul de selectare a funcției (2) în poziția „” pentru găurire.
- Setări comutatorul de selectare a funcției (2) în poziția „” pentru găurire cu percuzie.

**Comutator selectare viteză (Fig. A)**

*Pentru a evita defectarea mașinii, reglarea comutatorului de selectare a vitezei (8) trebuie realizată numai când mașina nu este în funcțiune.*

- Dacă setați comutatorul de selectare a vitezei (8) în poziția „1”, viteza de găurire poate fi reglată între 0 și 1,200/min.
- Dacă setați comutatorul de selectare a vitezei (8) în poziția „2”, viteza de găurire poate fi reglată între 0 și 3,100/min.
- Atunci când comutatorul de selectare a vitezei (8) nu poate comuta cu ușurință între „1” și „2”, rotiți puțin mandrina (1) cu mâinile. Acest lucru va face ca pinioanele să ajungă în poziția corectă și va facilita schimbarea treptelor de viteză.

**Sfaturi pentru utilizator**

Întotdeauna utilizați mașina cu mânerul lateral fixat bine în poziție - nu doar că veți avea mult confort în timpul operației, ci veți lucra cu mai multă precizie.



*Atenție: burghiile și burghiile pentru beton pot deveni foarte fierbinți.*

**Găurire și găurire cu percuție**

- În cazul orificiilor mari, cum ar fi în beton foarte dur, începeți prin utilizarea unui burghiu mai mic pentru găurirea pilot, apoi executați mărirea dorită.
- Țineți bine mașina cu 2 mâini. Țineți cont de faptul că burghiul se poate bloca din acest motiv, mașina se poate roti brusc (mai ales la executarea orificiilor adânci).
- Nu aplicați presiune excesivă asupra mașinii, lăsați mașina să execute operația.

**5. ÎNTREȚINEREA**

*Asigurați-vă că aparatul nu este sub tensiune atunci când efectuați lucrări de întreținere a motorului.*

Curățați regulat carcasa cu o cârpă moale, de preferat după fiecare utilizare. Curățați fantele de aerisire de praf și murdărie. Îndepărtați murdăria persistentă cu o cârpă moale înmuiată în clăbuci de săpun. Nu folosiți solvenți precum benzină, alcool, amoniac,

etc. Astfel de substanțe chimice vor deteriora componentele sintetice.

**MEDIU**

*Aparatele electrice sau electronice deteriorate și/sau defecte trebuie colectate în locurile de reciclare corespunzătoare.*

**Numai pentru țările din CE**

Nu aruncați echipamentele acționate electric împreună cu gunoiul menajer. Conform Indicației europene 2012/19/CE pentru echipamente electrice și electronice uzate și a implementării sale la nivel național, echipamentele acționate electric scoase din uz trebuie colectate separat și evacuate într-o manieră ecologică.

**GARANȚIE**

Produsele VONROC sunt realizate la cele mai înalte standarde de calitate și sunt garantate în privința materialelor și a manoperei pentru întreaga perioadă de utilizare în garanție, începând cu data achiziției. În cazul în care produsul prezintă defecțiuni în perioada de garanție din cauza materialului defect și/sau a manoperei, contactați direct VONROC.

Următoarele circumstanțe sunt excluse de la această garanție:

- Reparațiile sau modificările care realizate sau care s-au încercat a fi efectuate de centre de service neautorizate;
- Uzura în condiții normale de utilizare;
- Unealta care a fost abuzată, utilizată într-un mod neglijent sau întreținută în mod inadecvat;
- Folosirea unor piese de schimb neoriginale.

Aceasta acoperă garanția companiei, explicită sau implicită. Nu există alte garanții explicite sau implicite care să se extindă dincolo de cele indicate aici, incluzând garanțiile, vandabilitatea sau adecvarea pentru un anumit scop. În nicio situație, VONROC nu este responsabil pentru daunele incidentale sau consecvențiale. Remedierile dealerilor sunt limitate la repararea sau înlocuirea unităților sau pieselor neconforme.

**Produsul și manualul de utilizare pot suferi modificări. Specificațiile se pot modifica fără notificare prealabilă.**



## 1. INSTRUÇÕES DE SEGURANÇA

Leia os avisos de segurança fornecidos, os avisos de segurança adicionais e as instruções. O não cumprimento dos avisos de segurança e das instruções pode resultar em choque eléctrico, incêndio e/ou ferimentos graves. Guarde os avisos de segurança e as instruções para referência futura.

Os seguintes símbolos são utilizados no manual do utilizador ou no produto:



Leia o manual do utilizador.



Indica o risco de ferimentos, morte ou danos na ferramenta se as instruções indicadas neste manual não forem seguidas.



Risco de choque eléctrico.



Retire de imediato a ficha da tomada de corrente se o cabo de corrente sofrer danos e durante a limpeza e manutenção.



Use óculos de segurança.  
Use protecção auricular.



Use uma máscara de poeiras.



Máquina de classe II - Isolamento duplo - Não é necessário uma ficha com ligação à terra.



Velocidade electrónica variável.



Rotação, esquerda/direita.



Não elimine o produto em recipientes não adequados.



O produto está em conformidade com as normas de segurança aplicáveis nas directivas europeias.

### AVISOS GERAIS DE SEGURANÇA SOBRE A FERRAMENTA ELÉCTRICA



**AVISO! Leia todos os avisos de segurança e instruções.** O não cumprimento dos avisos de segurança e as instruções podem resultar em choque eléctrico, incêndio e/ou ferimentos graves.

**Guarde todos os avisos e instruções para referência futura.** O termo "ferramenta eléctrica" indicado nos avisos diz respeito à ferramenta eléctrica com alimentação pela rede (com fio) ou por bateria (sem fio).

#### 1) Segurança da área de trabalho

- Mantenha a área de trabalho limpa e devidamente iluminada.** As áreas obstruídas ou escuras são propícias para acidentes.
- Não utilize ferramentas eléctricas em atmosferas explosivas, por exemplo, na presença de líquidos inflamáveis, gases ou poeiras.** As ferramentas eléctricas produzem faíscas que podem causar ignição de poeiras ou vapores.
- Quando utilizar uma ferramenta eléctrica, mantenha as crianças e transeuntes afastados.** As distrações podem causar perda de controlo.

#### 2) Segurança eléctrica

- As fichas da ferramenta eléctrica devem corresponder à tomada. Nunca modifique, de forma alguma, a ficha. Não utilize quaisquer fichas adaptadoras com ferramentas eléctricas ligadas à terra (massa).** As fichas e tomadas correspondentes não modificadas reduzem o risco de choque eléctrico.
- Evite o contacto do corpo com superfícies ligadas à terra ou massa, como tubos, radiadores, fogões ou frigoríficos.** Há um maior risco de choque eléctrico se o corpo estiver ligado à terra ou à massa.
- Não exponha as ferramentas eléctricas à chuva ou a ambientes húmidos.** A entrada de água numa ferramenta eléctrica aumenta o risco de choque eléctrico.
- Não utilize o cabo de maneira abusiva. Nunca utilize o cabo para transportar, puxar ou desligar a ferramenta eléctrica. Mantenha o cabo afastado de fontes de calor, óleo, extremidades afiadas ou peças móveis.** Cabos danificados ou enrolados aumenta o risco de choque eléctrico.
- Quando utilizar uma ferramenta eléctrica no exterior, opte por uma extensão adequada para utilização no exterior.** A utilização de um cabo adequado para utilização no exterior reduz o risco de choque eléctrico.
- Se não for possível evitar trabalhar com uma ferramenta eléctrica num local húmido, utilize uma fonte de alimentação protegida por um dispositivo de corrente residual (DCR).** A uti-

lização de um DCR reduz o risco de choque eléctrico.

### 3) Segurança eléctrica

- a) **Esteja atento, preste atenção ao que está a fazer e tenha bom senso quando utilizar uma ferramenta eléctrica. Não utilize uma ferramenta eléctrica quando estiver cansado ou sob o efeito de drogas, álcool ou medicamentos.** Um momento de distração durante a utilização de ferramentas eléctricas pode resultar em ferimentos graves.
- b) **Use equipamento de protecção individual. Use sempre protecção ocular.** O equipamento de protecção, como, por exemplo, máscara de poeiras, sapatos de segurança antiderrapantes, capacete de segurança ou protecção auditiva, utilizado nas condições adequadas, reduz o risco de ferimentos.
- c) **Evite accionamentos acidentais. Assegure-se de que o gatilho está desligado antes de ligar a ferramenta à corrente eléctrica e/ou as baterias e antes de levantar ou transportar a ferramenta.** O transporte de ferramentas eléctricas com o dedo colocado no interruptor ou a ligação à corrente das ferramentas eléctricas com o interruptor ligado pode dar origem a acidentes.
- d) **Retire eventuais chaves de ajuste ou chaves de fendas antes de ligar a ferramenta eléctrica.** Uma chave de fenda ou de ajuste montada numa peça rotativa da ferramenta eléctrica pode causar ferimentos.
- e) **Não tente chegar a pontos fora do alcance. Mantenha-se sempre numa posição firme e bem equilibrada.** Desta forma, será mais fácil controlar a ferramenta eléctrica em situações inesperadas.
- f) **Use vestuário adequado. Não use roupa larga ou jóias. Mantenha o cabelo, a roupa e as jóias afastados das peças móveis.** As roupas largas, as jóias ou o cabelo comprido podem ficar presos nestas peças.
- g) **Se for prevista a montagem de dispositivos de extracção e recolha de poeiras, assegure-se de que estão ligados e que são utilizados de forma correcta.** A utilização de dispositivos de extracção de poeiras pode reduzir os riscos inerentes.
- h) **Não permita que a familiaridade obtida através do uso frequente de ferramentas faça com que seja complacente e ignore os princípios de segurança da ferramenta.** Uma acção irreflectida

pode causar ferimentos graves numa fracção de segundos.

### 4) Utilização e cuidados a ter com a ferramenta eléctrica

- a) **Não sobrecarregue a ferramenta eléctrica. Utilize a ferramenta eléctrica correcta para o seu trabalho.** A ferramenta eléctrica adequada efectua o trabalho de maneira mais eficiente e segura se for utilizada de acordo com a capacidade para a qual foi concebida.
- b) **Não utilize a ferramenta eléctrica se não conseguir ligar ou desligar o gatilho.** Qualquer ferramenta eléctrica que não possa ser controlada através do gatilho é perigosa e tem de ser reparada.
- c) **Retire a ficha da fonte de alimentação e/ou a bateria da ferramenta eléctrica, caso seja possível fazê-lo, antes de efectuar quaisquer ajustes, substituir acessórios ou guardar ferramentas eléctricas.** Estas medidas de segurança preventivas reduzem o risco de ligar a ferramenta eléctrica acidentalmente.
- d) **Mantenha as ferramentas eléctricas que não estiverem a ser utilizadas fora do alcance das crianças. Não permita que a ferramenta eléctrica seja utilizada por pessoas não familiarizadas com a mesma ou que não tenham lido estas instruções.** As ferramentas eléctricas são perigosas nas mãos de pessoas que não possuam as qualificações necessárias para manuseá-las.
- e) **Faça a manutenção das ferramentas eléctricas. Verifique se as peças móveis da ferramenta eléctrica estão alinhadas e não bloqueiam, bem como se existem peças partidas ou danificadas ou quaisquer outras condições que possam afectar o funcionamento da mesma. Se a ferramenta eléctrica estiver danificada, esta não deve ser utilizada até que seja reparada.** Muitos acidentes têm como principal causa ferramentas eléctricas com uma manutenção insuficiente.
- f) **Mantenha as ferramentas de corte afiadas e limpas.** As ferramentas de corte sujeitas a uma manutenção adequada, com arestas de corte afiadas, bloqueiam com menos frequência e controlam-se com maior facilidade.
- g) **Utilize a ferramenta eléctrica, os acessórios e as peças de ferramenta, etc., de acordo com estas instruções, considerando as condições de trabalho e a tarefa a ser executada.** A utilização da ferramenta eléctrica para fins diferentes dos

previstos pode resultar em situações perigosas.

- h) **Mantenha as pegas e as superfícies de fixação secas, limpas e sem óleo e gordura.** As pegas escorregadias e as superfícies de fixação não permitem o manuseamento seguro e o controlo da ferramenta em situações imprevistas.

**5) Assistência**

- a) **A sua ferramenta eléctrica só deve ser reparada por pessoal qualificado e só devem ser utilizadas peças sobresselentes idênticas.** Desta forma, é garantida a segurança da ferramenta eléctrica.

**AVISOS DE SEGURANÇA ADICIONAIS PARA BERBEQUINS ELÉCTRICOS DE PERCUSSÃO**



*Esta máquina não é adequada para trabalhos leves. Não sobrecarregue a máquina.*

- a) **Use protecção auricular quando perfurar com um berbequim eléctrico de percussão.** A exposição ao ruído pode causar perda de audição.
- b) **Utilize a(s) pega(s) auxiliar(es), caso seja(m) fornecida(s) com a ferramenta.** A perda de controlo pode causar lesões pessoais.
- c) **Segure a ferramenta eléctrica pelas superfícies de fixação isoladas quando efectuar uma operação em que o acessório de corte possa entrar em contacto com fios ocultos ou com o próprio cabo da ferramenta.** Um acessório de corte que entre em contacto com um fio sob tensão eléctrica pode fazer com que as peças de metal expostas da ferramenta conduzam electricidade e electrocutem o utilizador.

**Segurança eléctrica**

Quando utilizar máquinas eléctricas, cumpra sempre os regulamentos de segurança aplicáveis ao seu país para reduzir o risco de incêndio, choque eléctrico e ferimentos. Leia as seguintes instruções de segurança, assim como as instruções de segurança fornecidas.



*Verifique sempre se a fonte de alimentação corresponde à tensão na placa sinalética.*



*Máquina de classe II - Isolamento duplo - Não é necessária uma ficha com ligação à terra*

Se não for possível evitar trabalhar com uma ferramenta eléctrica num local húmido, utilize uma fonte de alimentação protegida por um dispositivo de corrente residual (DCR). A utilização de um DCR reduz o risco de choque eléctrico.

**2. INFORMAÇÕES SOBRE A MÁQUINA**

**Utilização pretendida**

O berbequim eléctrico de percussão foi concebido para fazer furos em madeira, metal e plástico para perfuração com martelo em tijolo e betão.

**ESPECIFICAÇÕES TÉCNICAS**

Modelo n.º	ID503AC
Tensão do sector	220-240 V~
Frequência da rede	50/60 Hz
Alimentação	1100W
Velocidade sem carga (1)	0-1.200/min
Velocidade sem carga (2)	0-3.100/min
Velocidade de impacto (1)	0-19.200/min
Velocidade de impacto (2)	0-49.600/min
Tamanho do mandril	13 mm
Diâmetro máx. da broca	Madeira 30 mm Betão 20 mm Aço 13 mm
Peso	3,3 kg
Nível de pressão sonora L <sub>PA</sub>	94 + 3 dB(A)
Nível de potência sonora L <sub>WA</sub>	105 + 3 dB(A)
Perfuração em metal, a <sub>n,D</sub>	4,156 + 1,5 m/s <sup>2</sup>
Perfuração de impacto em betão, a <sub>n,ID</sub>	11,897 + 1,5 m/s <sup>2</sup>

**Nível de vibração**

O nível de emissão de vibrações indicado neste manual de instruções foi medido em conformidade com um teste homologado especificado pela norma EN62841. Pode ser utilizado para comparar ferramentas e como avaliação preliminar da exposição a vibrações quando utilizar a ferramenta para as aplicações indicadas.

- A utilização da ferramenta para aplicações diferentes, ou com acessórios diferentes ou com uma manutenção deficiente, pode aumentar consideravelmente o nível de exposição.

- O número de vezes que a ferramenta é desligada ou está ligada, mas não está a ser utilizada, pode reduzir significativamente o nível de exposição.

Proteja-se contra os efeitos da vibração, através de uma manutenção da ferramenta e dos respectivos acessórios, mantendo as mãos quentes e organizando os seus padrões de trabalho.

## DESCRIÇÃO

Os números indicados no texto dizem respeito aos diagramas na página 2.

### Fig. A

1. Mandril
2. Interruptor de selecção de função
3. Batente de profundidade
4. Botão de bloqueio
5. Interruptor para ligar/desligar
6. Botão de ajuste da velocidade
7. Interruptor rotativo para a esquerda/direita
8. Interruptor de selecção de mudança
9. Pega lateral

### Fig. B

10. Manga traseira
11. Manga dianteira

## 3. MONTAGEM

### Montar e remover a pega auxiliar (Fig. A)

#### Montagem

- Desaperte a pega auxiliar (9).
- Encaixe a pega auxiliar (9) sobre o mandril (1).
- Rode a pega auxiliar (9) para a posição pretendida.
- Aperte a pega auxiliar (9).

#### Remoção

- Desaperte a pega auxiliar (9).
- Retire a pega auxiliar (9) do mandril (1).

### Substituir e retirar brocas (Fig. A - B)

A máquina é adequada para a utilização das seguintes brocas:

- Madeira (HSS)
- Metal (HSS)
- Betão/alvenaria (metal duro)



Antes de substituir as brocas, retire primeiro a ficha de alimentação da tomada de parede.



Inspeccione as brocas com regularidade durante a utilização. As brocas rombas devem afiadas novamente ou substituídas.

- Abra o mandril (1) rodando a manga dianteira (11) para a direita ao mesmo tempo que segura na manga traseira (10) ou rode-a para a esquerda e insira a broca na abertura do mandril.
- Aperte a broca, rodando a manga dianteira (11) para a esquerda ao mesmo tempo que segura a manga traseira (10) ou rode-a para a direita.

### Regular o batente de profundidade (Fig. A)

- Insira o batente de profundidade (3) no furo no anel da pega lateral.
- Deslize a régua para a profundidade pretendida.

## 4. FUNCIONAMENTO



Os berbequins eléctricos de percussão requerem uma pressão mínima por parte do operador. O excesso de pressão na ferramenta pode dar origem a sobreaquecimento do motor e incineração da ferramenta accionada.

### Interruptor para ligar/desligar (Fig. A)

- Carregue o interruptor para ligar/desligar para ligar a máquina (5). Se libertar o interruptor para ligar/desligar (5), a máquina desliga-se.
- A velocidade de rotação pode ser ajustada carregando no interruptor para ligar/desligar (5) com mais força, aumentando a velocidade de rotação ou a pressão de abertura para reduzir a velocidade de rotação.

### Botão de bloqueio (Fig. A)

- Pode bloquear o interruptor para ligar/desligar (5) carregando no interruptor para ligar/desligar (5) e, em seguida, premindo o botão de bloqueio (4).
- Para libertar a patilha de bloqueio do interruptor, prima ligeiramente o interruptor para ligar/desligar (5).

### Ajustar a velocidade máxima de rotação (Fig. A)

- Ajuste a velocidade, rodando o botão de ajuste da velocidade (6) para a velocidade máxima de rotação pretendida.

**Mudar a direcção de rotação (Fig. A)**

*Não altere a direcção da rotação durante a utilização.*

- Direcção da rotação para a esquerda: rode o interruptor de rotação para a esquerda/direita (7) para "L".
- Direcção da rotação para a direita: rode o interruptor de rotação para a esquerda/direita (7) para "R".

**Interruptor de selecção de funções (Fig. A)**

*Para evitar danos na máquina, o ajuste do interruptor de selecção de funções (2) deve ser efectuado apenas quando a máquina não estiver a funcionar.*

- Defina o interruptor de selecção de funções (2) para "▲▼" para o modo de perfuração.
- Defina o interruptor de selecção de funções (2) para "■" para o modo de perfuração com o martelo.

**Interruptor de selecção de velocidades (Fig. A)**

*Para evitar danos na máquina, o ajuste do interruptor de selecção de velocidades (8) deve ser efectuado apenas quando a máquina não estiver a funcionar.*

- Se definir interruptor de selecção de velocidades (8) para a posição "1", a velocidade de perfuração pode ser ajustada entre 0 e 1,200/min.
- Se definir interruptor de selecção de velocidades (8) para a posição "2", a velocidade de perfuração pode ser ajustada entre 0 e 3,100/min.
- Se o interruptor de selecção de velocidades (8) não conseguir mudar facilmente entre "1" e "2", rode ligeiramente o mandril (1) com as mãos. Isto irá permitir que as engrenagens fiquem na posição correcta e facilita a mudança das velocidades.

**Sugestões para o utilizador**

Utilize sempre a máquina com a pega lateral fixa no respectivo local, isto irá permitir-lhe não só trabalhar com maior conforto, como também irá trabalhar com mais rigor.



*Aviso: as brocas de perfuração e de perfuração com o martelo podem ficar muito quentes.*

**Perfuração e perfuração com martelo**

- Para furos grandes, por exemplo, em betão muito duro, comece por uma broca mais pequena para efectuar um teste primeiro e depois perfure com o tamanho nominal.
- Segure a máquina com firmeza com as 2 mãos. Tenha em atenção que a broca pode encravar e porque a máquina pode deslocar-se de súbito (especialmente se fizer furos mais profundos).
- Não aplique demasiada pressão na máquina, deixe-a executar o trabalho.

**5. MANUTENÇÃO**

*Quando efectuar o trabalho de manutenção no motor, o equipamento não deve estar sob tensão.*

Limpe a carcaça da máquina com regularidade com um pano macio, de preferência após cada utilização. Certifique-se de que as aberturas de ventilação não têm pó ou sujidade. Retire a sujidade muito persistente com um pano macio humedecido com água de sabão. Não utilize solventes, como gasolina, álcool, amoníaco, etc. Este tipo de produtos químicos danificam os componentes sintéticos.

**AMBIENTE**

*Os equipamentos eléctricos ou electrónicos defeituosos e/ou eliminados devem ser recolhidos em locais de reciclagem adequados.*

**Apenas para os países da CE**

Não elimine as ferramentas eléctricas em conjunto com os resíduos domésticos. De acordo com a directiva europeia 2012/19/CE sobre resíduos de equipamentos eléctricos e electrónicos e a respectiva implementação na legislação nacional, as ferramentas eléctricas que já não sejam utilizadas devem ser recolhidas em separado e eliminadas de maneira ecológica.

## GARANTIA

Os produtos da VONROC são desenvolvidos de acordo com os padrões de qualidade mais elevados e não apresentam quaisquer defeitos em termos de materiais e mão-de-obra em relação ao período estipulado por lei, cujo início é a partir da data de compra original. Se o produto apresentar qualquer falha durante este período devido a qualquer defeito de material e/ou de mão-de-obra, contacte a VONROC directamente.

As seguintes circunstâncias estão excluídas desta garantia:

- Se forem efectuadas ou tentadas quaisquer reparações e/ou alterações na máquina por centros de assistência não autorizados;
- Desgaste normal;
- Se a ferramenta foi utilizada de maneira abusiva, indevida ou a manutenção for efectuada de maneira incorrecta;
- Se forem utilizadas peças sobresselentes não originais.

Isto constitui a única garantia feita pela empresa, de maneira expressa ou implícita. Não existem quaisquer outras garantias expressas ou implícitas que se prolonguem, incluindo as garantias implícitas de comercialização e adequação para fins específicos. A VONROC não será, em nenhuma circunstância, responsável por danos incidentais ou indirectos. As soluções do fornecedor estão limitadas à reparação ou substituição de unidades ou peças que não estejam em conformidade.

**O equipamento e o manual do utilizador estão sujeitos a alterações sem aviso prévio. As especificações podem ser alteradas sem aviso prévio.**

## 1. BIZTONSÁGI UTASÍTÁSOK

Olvassa el az összes mellékelt biztonsági figyelmeztetést. A figyelmeztetések és utasítások be nem tartása áramütéshez, tűz keletkezéséhez vagy akár súlyos személyi sérüléshez vezethet. Őrizze meg a biztonsági figyelmeztetéseket és utasításokat későbbre is.

A használati útmutatóban és a terméken a következő jelölésekkel találkozhat:



*Olvassa el a használati útmutatót.*



*Jelzi a személyi sérülések, az életveszély vagy a szerszám károsodásának veszélyét.*



*Áramütés veszélye.*



*Azonnal húzza ki a hálózati csatlakozódugót, ha a kábel megsérült, amikor takarít és, ha karbantartást végez.*



*Viseljen biztonsági szemüveget. Viseljen hallásvédőt.*



*Viseljen porvédő álarcot.*



*II. érintésvédelmi osztályú gép – kettős szigetelés: földvezeték nélküli csatlakozó aljzatról is használható.*



*Elektromosan változtatható sebesség.*



*Forgás, balra/jobbra.*



*A terméket hulladékként ne tegye arra nem alkalmas konténerbe.*



*A termék megfelel az európai irányelvek rá vonatkozó biztonsági követelményeinek.*

### A SZERSZÁMGÉPRE VONATKOZÓ ÁLTALÁNOS BIZTONSÁGI FIGYELMEZTETÉSEK



**FIGYELMEZTETÉS! Olvasson el minden biztonsági figyelmeztetést és utasítást.**

*A biztonsági figyelmeztetések és útmutatások be nem tartása áramütést, tüzet és/vagy súlyos sérülést okozhat.*

**Az összes figyelmeztetést és utasítást őrizze meg, mert később még szüksége lehet rájuk.** A figyelmeztetésekben szereplő „szerszámgép” kifejezés az Ön hálózatról működő (vezetékes) szerszámgépére vagy akkumulátorral működő (vezeték nélküli) szerszámgépére utal.

### 1) A munkaterület biztonsága

- Gondoskodjon a munkaterület tisztaságáról és megfelelő megvilágításáról.** A rendezetlen és sötét területeken valószínűbb a balesetek előfordulása.
- Ne használjon szerszámgépeket robbanásveszélyes környezetben (pl. gyúlékony folyadékok, gázok és por jelenlétében).** A szerszámgép használata során keletkező szikra lángra lobbanthatja a port és füstöt.
- A szerszámgép használata során a gyermekeket és a közelben tartózkodó személyeket tartsa távol a munkaterülettől.** Ha valami eltereli a figyelmét, elveszítheti az irányítást.

### 2) Elektromos biztonság

- A szerszámgép dugóinak megfelelőnek kell lenniük az aljzathoz. Soha ne próbálja semmilyen módon módosítani a dugót. Földelt szerszámgépekhez ne használjon semmilyen adapterdugót.** Az eredeti (értsd: módosítás nélküli) dugók és megfelelő hálózati aljzatok használatával mérsékelhető az elektromos áramütés veszélye.
- Ügyeljen arra, hogy teste ne érintkezzen földelt felületekkel, például csővezetékkel, radiátorral, tűzhellyel vagy hűtőszekrénnyel.** Ha teste földelődik vagy testelődik, megnő az áramütés kockázata.
- Óvja a szerszámgépeket az esőtől és nedves környezettől.** A szerszámgépbe kerülő víz növeli az elektromos áramütés veszélyét.
- Ne használja erőszakosan a kábelt. A kábelt soha ne használja a szerszámgép hordozására, húzására vagy az aljzathoz történő kihúzására. A kábelt tartsa távol hőforrásoktól, olajtól, hegyes élektől és mozgó alkatrészekről.** A sérült vagy meglepedett kábelek növelik az elektromos áramütés veszélyét.
- A szerszámgép kültéri használata esetén kültéri használatra alkalmas hosszabbító kábelt használjon.** A kültéri használatra alkalmas kábel használatával mérsékelhető az elektromos áramütés veszélye.

- Ha a szerszámgépet mindenképpen nedves környezetben kell használni, akkor használjon áramvédő kapcsolóval (RCD) ellátott tápforrást.** Az áramvédő kapcsolóval ellátott tápforrás használatával mérsékelhető az elektromos áramütés veszélye.

### 3) Személyi biztonság

- A szerszámgép használata során maradjon éber, koncentráljon az éppen végzett műveletre és használja a józan ítélőképességét. Ha fáradt, vagy ha kábítószert, alkoholt vagy gyógyszer hatása alatt áll, ne használjon szerszámgépet.** A szerszámgép használata közben egyetlen pillanatnyi figyelmetlenség is súlyos személyi sérülést okozhat.
- Használjon egyéni védőeszközt. Mindig viseljen szemvédő felszerelést.** A megfelelő körülményekhez való védőeszközzel (például pormaszkkal, csúszásgátló biztonsági cipővel, munkavédelmi sisakkal vagy hallásvédő eszközzel) csökkenthető a személyi sérülések kockázata.
- Gondoskodjon a gép véletlen elindulásának a megelőzéséről. A szerszám tápforráshoz és/vagy akkumulátorcsomaghoz történő csatlakoztatása, kézbevétele vagy hordozása előtt győződjön meg róla, hogy a kapcsoló OFF (kikapcs.) állásban van.** Ha úgy hordozza a szerszámgépet, hogy az ujjja a kapcsolón van, vagy úgy helyezi feszültség alá a szerszámgépet, hogy a kapcsolója ON (bekapcs.) helyzetben van, ez növeli a balesetek kockázatát.
- A szerszámgép bekapcsolása előtt távolítsa el a csavarkulcsokat vagy beállító kulcsokat.** A szerszámgép forgó alkatrészein felejtett csavarkulcs vagy beállító kulcs személyi sérülést okozhat.
- Ne próbáljon túlnyújtóztatni vagy kitekeredett testhelyzetben dolgozni. Mindig két lábbal, egyensúlyban álljon a talajon.** Így könnyebben tudja irányítani a szerszámgépet a váratlan helyzetekben.
- Megfelelő öltözetet viseljen. Ne viseljen laza ruhát vagy ékszert. Haját, ruháját és kesztyűjét tartsa távol a mozgó alkatrészekről.** A mozgó alkatrészek behúzzhatják a ruhákat, az ékszereket és a hosszú haját.
- Ha a szerszámhoz porszívó és porgyűjtő eszközt is lehet csatlakoztatni, akkor gondoskodjon ezek csatlakoztatásáról és megfelelő hasz-**

nálatáról. A porgyűjtő rendszerek használatával csökkenthetők a porral kapcsolatos veszélyek.

- h) **Ne engedje, hogy a szerszámok gyakori használata során szerzett tapasztalatai túlzott biztonságérzetet keltsenek Önben, és amiatt elhanyagolja a biztonsági alapelveket.** Gondatlan cselekvés már a másodperc töredéke alatt is súlyos sérülést okozhat.
- 4) **A szerszám gép használata és ápolása**
- a) **A szerszám gépet tilos túlzott erőfelfrészéssel használni. Az alkalmazási célnak megfelelő szerszám gépet használjon.** A megfelelő szerszám gép biztonságosabban és hatékonyabban végzi a munkát azon a fordulatszám on, amire azt tervezték.
- b) **Ne használja a szerszám gépet, ha az nem kapcsolható a ki-/bekapcsoló gombbal.** Bármely szerszám gép veszélyes lehet, amit a kapcsolóval nem lehet irányítani, ezért az ilyen szerszám gépet meg kell javíttatni.
- c) **Válassza le a dugót a tápforrásról és/vagy az akkumulátorcsomagot az elektromos szerszám ról, mielőtt bármilyen módosítást végez, tartozékot cserél vagy eltávolítja az elektromos szerszám ot.** Ezekkel a megelőző biztonsági intézkedésekkel csökkenthető a szerszám gép véletlen elindulásának a kockázata.
- d) **Az éppen nem használt szerszám gépeket olyan helyen tárolja, ahol a gyermekek nem férhetnek hozzájuk, és ne engedje, hogy olyan személyek használják a szerszám gépet, akik nem ismerik a szerszám gépet és ezeket az utasításokat.** A szerszám gépek rendkívül veszélyesek lehetnek szakképzetlen felhasználók kezeiben.
- e) **Tartsa karban a szerszám gépeket. Ellenőrizze, hogy a mozgó alkatrészek nem állítódta-e el vagy nem szorulna-e, nincsenek-e a szerszám on törött alkatrészek, és nem állna-e fenn olyan körülmények, amelyek befolyásolhatják a szerszám működéset. Ha a szerszám gép sérült, használat előtt javíttassa meg.** A nem megfelelően karbantartott szerszám gépek számos balesetet okoznak.
- f) **Tartsa élesen és tisztán a vágószerszámokat.** A megfelelően karbantartott, éles vágószerszámok beszorulásának kisebb a valószínűsége, ráadásul könnyebben irányíthatók.
- g) **A szerszám gépet, a tartozékokat és a szerszám szárazakat stb. a jelen utasításoknak megfelelően használja, a munkakörülmények**

**és az elvégzendő feladat figyelembevételével.**

Ha a szerszám gépet a rendeltetési céljától eltérően használják, ez veszélyhelyzetet teremthet.

- h) **Tartsa a fogantyúkat és egyéb markolási felületeket szárazon, tisztán, olajtól és zsírtól mentesen.** Váratlan helyzetekben a csúszós fogantyúk és egyéb markolási felületek akadályozzák a szerszám biztonságos kezelését és irányítását.
- 5) **Szerviz**
- a) **A szerszám gépet képzett javító szakemberrel javíttassa, kizárólag az eredetivel azonos pótalkatrészeket használjon fel.** Ez biztosítja, hogy a szerszám gép továbbra is biztonságos maradjon.

### TOVÁBBI MUNKAVÉDELMI FIGYELMEZTETÉSEK ÜTVEFŰRÓHOZ



*A gép könnyebb munkák elvégzésére alkalmas. Ne terhelje túl a berendezést.*

- a) **Az ütvefűró használatakor viseljen hallásvédő készüléket.** A zajnak való kitettség halláskárosulást okozhat.
- b) **Ha vannak, akkor használja a gép segédfogantyúit.** A gép feletti uralom elvesztése balesetet okozhat.
- c) **A szerszám gépet a szigetelt markolási felületeinél fogja, ha olyan műveletet végez, amelynek során előfordulhat, hogy a tartozék rejtett vezetékbe vagy a szerszám saját vezetékébe ütközik.** Ha a vágószerszám feszültség alatt levő vezetékhez ér, a szerszám fém részei feszültség alá kerülnek, és a kezelőt áramütés érheti.

### Elektromos biztonság

Villamos kiségek használatakor mindig tartsa be az adott ország tűz és áramütés elleni és egyéb balesetek elkerülését célzó szabályokat. Olvassa el a következő biztonsági utasításokat és a géphez mellékelt munkavédelmi utasításokat is.



*Mindig ellenőrizze, hogy a tápellátás megfelel-e az adattáblán feltüntetett feszültségnek.*



*II érintésvédelmi osztályú gép - Kettős szigetelés: földvezeték nélküli csatlakozó aljzatról is használható*



Ha a szerszámgépet mindenképpen nedves környezetben kell használni, akkor használjon áramvédő kapcsolóval (RCD) ellátott tápforrást. Az áramvédő kapcsolóval ellátott tápforrás használatával mérsékelhető az elektromos áramütés veszélye.

## 2. A GÉP ADATAI

### Rendeltetése

Az ütvefúró fa, fém és műanyagok fúrására, téglában és betonban ütvefúrásra szolgál.

### MŰSZAKI ADATOK

Modellazonosító	ID503AC
Hálózati feszültség	220-240 V~
Hálózati frekvencia	50/60 Hz
Felvett teljesítmény	1100W
Üresjárat fordulatszám (1)	0-1.200/min
Üresjárat fordulatszám (2)	0-3.100/min
Ütéssebesség (1)	0-19.200/min
Ütéssebesség (2)	0-49.600/min
Tokmány mérete	13 mm
Legnagyobb fúró átmérő	Fa 30 mm Beton 20 mm Acél 13 mm
Súly	3,3 kg
Hangnyomásszint L <sub>PA</sub>	94 + 3 dB(A)
Hangteljesítményszint L <sub>WA</sub>	105 + 3 dB(A)
Fúrás fémbe, a <sub>h,D</sub>	4,156 + 1,5 m/s <sup>2</sup>
Ütvefúrás betonba, a <sub>h,1D</sub>	11,897 + 1,5 m/s <sup>2</sup>

### Rezgés értékek

A használati útmutatóban megadott rezgés kibocsátási értékek mérése az ENG2841. sz. szabvány szerinti egységesített eljárással történt; az értékek használhatók gépek összehasonlítására és a munkavégzés közbeni rezgés terhelés előzetes megbecslésére az adott alkalmazási területen.

- Ha az elektromos kéziszerszámot más területen használják vagy más vagy rossz karban tartott tartozékkal, a rezgés terhelés jelentősen megnövekedhet.
- Azok az időtartamok, amely alatt a gép üresen jár vagy áll, jelentősen csökkenthetik a tényleges terhelést.

Védje magát a rezgés hatásától, tartsa karban a gépet és a tartozékokat, melegítsen be és szervezze meg okosan a munkáját.

### LEÍRÁS

A szövegbeli számok a 2. oldal képeire utalnak.

#### A ábra

- Tokmány
- Funkcióválasztó kapcsoló
- Mélyütköző
- Rögzítő gomb
- Főkapcsoló
- Fordulatszám-állító kerék
- Bal/jobb irányú forgás gomb
- Sebességváltó kapcsoló
- Oldalfogantyú

#### B ábra

- Hátsó hüvely
- Elülső hüvely

## 3. ÖSSZESZERELÉS

### A segédfogantyú felhelyezése és levétele (A ábra) Felszerelés

- Lazítsa meg a segédfogantyút (9).
- Csúsztassa a segédfogantyút (9) a tokmány fölé (1).
- Forgassa a segédfogantyút (9) a kívánt pozícióba.
- Húzza meg a segédfogantyút (9).

### Eltávolítás

- Lazítsa meg a segédfogantyút (9).
- Távolítsa el a segédfogantyút (9) a tokmányról (1).

### Fúróhegyek kivétele és cseréje (A- B ábra)

A gépbe alábbi fúróhegyek helyezhetők el:

- Fa (HSS)
- Fém (HSS)
- Beton / falazat (kemény fém)



A fúróhegyek cseréje előtt húzza ki a dugót a fali aljzatból.



Használat közben rendszeresen ellenőrizze a hegyet. A tompa hegyet újra kell élezni, vagy cserélni kell.

- Nyissa ki a tokmányt (1) úgy, hogy az elülső hüvelyt (11) jobbra fordítja és ezzel egyidejűleg

megtartja vagy balra fordítja a hátsó hüvelyt (10), majd tegye a hegyet a tokmány nyílásába.

- Nyissa ki a tokmányt úgy, hogy az elülső hüvelyt (11) balra fordítja és ezzel egyidejűleg megtartja vagy jobbra fordítja a hátsó hüvelyt (10).

#### A mélyütköző beállítása (A ábra)

- Illessze a nyíláson keresztül az oldalfogantyú gyűrűbe a mélyütközőt (3).
- Csúsztassa a vonalzó a megfelelő mélységre.

## 4. HASZNÁLAT



*Az ütvefúrót csak nagyon kis mértékben kell nyomni. A szerszámra kifejtett nagyon erős nyomás miatt feleslegesen túlmelegszik a motor, pörkölődik a használt szerszám.*

#### A be- és kikapcsoló gomb (A ábra)

- A gépet a be-/kikapcsoló gomb (5) nyomásával lehet bekapcsolni. Ha a be-/kikapcsoló gombot (5) elengedi, a gép kikapcsolódik.
- A fordulatszám a be-/kikapcsoló gomb (5) nyomásával szabályozható, erősebb nyomás nagyobb fordulatszámot, enyhébb nyomás kisebb fordulatszámot jelent.

#### Rögzítógomb (A ábra)

- A be-/kikapcsoló (5) helyzete rögzíthető, ha megnyomása után a rögzítő gombot (4) is megnyomja.
- A kapcsoló rögzítését a be-/kikapcsoló gomb (5) újbóli rövid megnyomásával lehet kioldani.

#### Legmagasabb fordulatszám beállítása (A ábra)

- A sebességállító kereket (6) forgassa a megfelelő legnagyobb fordulatszám-értékhez.

#### A forgásirány beállítása (A ábra)





*Használat közben ne változtassa meg a forgás irányát.*

- Az óramutató járásával ellentétes forgási irány: tolja a bal/jobbs forgás kapcsolót (7) a(z) „L” állásba.
- Az óramutató járásával megegyező forgási irány: tolja a bal/jobbs forgás kapcsolót (7) a(z) „R” állásba.

#### Funkcióválasztó kapcsoló (A ábra)



*A funkcióválasztó kapcsoló (2) állítását csak akkor szabad végezni, ha a gép nem jár, egyébként a gép károsodhat.*

- Fúraskor a funkcióválasztó kapcsolót (2) állítsa a(z) „” helyzetbe.
- Ütvefúraskor a funkcióválasztó kapcsolót (2) állítsa a(z) „” helyzetbe.

#### Sebességváltó kapcsoló (A ábra)



*A sebességválasztó kapcsoló (8) állítását csak akkor szabad végezni, ha a gép nem jár, egyébként a gép károsodhat.*

- Ha a sebességváltó kapcsoló (8) az “1” állásban van, a fúrási fordulatszám 0 és 1 200 /min között változtatható.
- Ha a sebességváltó kapcsoló (8) a “2” állásban van, a fúrási fordulatszám 0 és 3 100 /min között változtatható.
- Ha a sebességváltó kapcsolót (8) nem igazán lehet az “1” és “2” helyzet között váltani, kézzel forgassa meg a tokmányt (1) egy kicsit. Ez segít helyére tenni a fogaskerekeket, és könnyebb lesz a sebesség váltás.

#### Használati tanácsok

A gépet mindig úgy használja, hogy az oldalfogantyút szilárdan rögzíti - ez nem csak kényelmesebb, de pontosabban is tud így dolgozni.



*Vigyázat: a fúróhegyek és ütvefúró hegyek rendkívül felforrósodhatnak.*

#### Fúrás és ütvefúrás

- Nagy furatoknál, például kemény betonban, először készítsen kisebb hegygel próbafuratot, majd utána fúrja ki a névleges méretre.
- Tartsa erősen a gépet mindkét kezével. Számítson rá, hogy a fúró megszorulhat és emiatt a gép hirtelen elfordulhat (különösen mély furatok esetén).
- Ne nyomja túl erősen a gépet, hagyja, hogy a gép végezze a munkát.

## 5. KARBANTARTÁS



*Amikor a motoron karbantartási munkát szeretne végezni, előbb győződjön meg róla, hogy a gép nincs feszültség alatt.*

A gép burkolatát rendszeresen, lehetőleg minden használat után törölje át puha ronggyal. Ügyeljen arra, hogy a szellőzőnyílások portól és piszoktól mentesek. Makacs szennyeződésekhez használjon szappanos vízzel átitatott ruhát. Oldószert, benzint, alkoholt, ammóniát stb. ne használjon. Ezek a vegyszerek kárt tesznek a szintetikus részekben.

való alkalmasságra vonatkozó hallgatólagos garanciákat is), amelyek a jelen szavatosság hatókörén túlmutatnak. A VONROC semmilyen esetben sem felelős semmilyen járulékos vagy következményes kárért. A kereskedők jogorvoslata a nem megfelelő készülékek vagy alkatrészek javítására vagy cseréjére korlátozódnak.

## KÖRNYEZETVÉDELEM



*A hibás vagy már feleslegessé vált elektromos, elektronikus készülékeket az ezzel foglalkozó hulladékgyűjtő helyeken kell leadni.*

### Csak EU országokban

Elektromos szerszámokat ne dobjon a háztartási hulladékba. Az elektromos és elektronikai hulladékokra vonatkozó, 2012/19/EU európai irányelv és annak a nemzeti törvénykezésbe történő átültetése értelmében az elhasználadott elektromos készülékeket külön kell gyűjteni és környezetbarát módon kell kiselejtezni.

## JÓTÁLLÁS

A VONROC termékei a legmagasabb minőségi normák szerint készülnek, és az eredeti vásárlás napjától számított, törvényileg előírt időtartamig garatáljuk, hogy anyag- és gyártási hibáktól mentesen fognak működni. Ha a termékben ezen időszak alatt bármilyen hiba jelentkezik anyag- és/vagy gyártási hiba miatt, kérjük, forduljon közvetlenül az Ön VONROC kapcsolattartójához.

A szavatosság nem érvényes a következő körülmények egyikére sem:

- Nem hivatalos szervizközpontok javítást vagy módosítást végeztek (vagy megkíséreltek javítást vagy módosítást végezni) a gépen.
- Normál elhasználódás és kopás.
- A szerszámot erőszakosan vagy nem rendeltetésszerűen használták, vagy a karbantartása nem volt megfelelő.
- Nem eredeti pótalkatrészeket használtak.

A jelen garancia a vállalat által (akár kifejezetten, akár hallgatólagosan) biztosított kizárólagos garancia. Nem biztosítunk olyan egyéb garanciákat (sem kifejezett, sem hallgatólagos garanciákat, beleértve az értékesíthetőségre és az adott célra

**A termék és a használati útmutató változtatásának jogát fenntartjuk. A műszaki adatok előzetes bejelentés nélkül változhatnak.**

## 1. BEZPEČNOSTNÍ POKYNY

Přečtěte si přiložené bezpečnostní výstrahy, dodatečné bezpečnostní výstrahy a bezpečnostní pokyny. Nebudete-li dodržovat tyto bezpečnostní výstrahy a pokyny, může dojít k úrazu elektrickým proudem, k vzniku požáru nebo k vážného zranění. Uschovejte tyto bezpečnostní výstrahy a pokyny pro budoucí použití.

V této uživatelské příručce a na tomto výrobku jsou použity následující symboly:



*Přečtěte si uživatelskou příručku.*



*Upozorňuje na riziko zranění osob, ztráty života nebo poškození zařízení, nebudou-li dodržovány pokyny uvedené v tomto návodu.*



*Nebezpečí úrazu elektrickým proudem.*



*Ihned odpojte zástrčku napájecího kabelu od síťové zásuvky, dojde-li k jeho poškození nebo provádíte-li čištění a údržbu.*



*Používejte ochranné brýle.*



*Používejte ochranu sluchu.*



*Používejte masku proti prachu.*



*Výrobek třídy II – Dvojitá izolace – Není nutné použití uzemňovacího vodiče.*



*Elektronická regulace otáček.*



*Otáčení, doleva/doprava.*



*Nelikvidujte tento výrobek do nevhodného kontejneru.*



*Tento výrobek je vyroben v souladu s platnými bezpečnostními normami, které jsou uvedeny ve směrnících EU.*

### OBECNÉ BEZPEČNOSTNÍ VÝSTRAHY TÝKAJÍCÍ SE ELEKTRICKÉHO NÁŘADÍ



**VAROVÁNÍ!** Přečtěte si všechny bezpečnostní výstrahy a všechny pokyny. Nebudete-li dodržovat tyto bezpečnostní

*výstrahy a pokyny, může dojít k úrazu elektrickým proudem, k vzniku požáru nebo k způsobení vážného zranění.*

**Uschovejte všechny bezpečnostní výstrahy a pokyny pro budoucí použití.** Termín elektrické nářadí v těchto varováních odkazuje na elektrické nářadí napájené z elektrické sítě (s napájecím kabelem) nebo z akumulátoru (bez napájecího kabelu).

#### 1) Bezpečnost pracovního prostoru

- a) **Udržujte pracoviště uklizené a dobře osvětlené.** Neuklizená nebo tmavá místa přivolávají nehody.
- b) **Nepoužívejte elektrická nářadí ve výbušných prostředích, jako jsou místa s přítomností hořlavých kapalin, plynů nebo prachu.** V elektrickém nářadí dochází k jiskření, které může způsobit vznícení prachu nebo výparů.
- c) **Při práci s tímto elektrickým nářadím udržujte děti a okolo stojící osoby v bezpečné vzdálenosti.** Rozptylování může způsobit ztrátu kontroly nad nářadím.

#### 2) Elektrická bezpečnost

- a) **Zástrčka napájecího kabelu nářadí musí odpovídat zásuvce. Zástrčku nikdy žádným způsobem neupravujte. Nepoužívejte u uzemněného elektrického nářadí žádné adaptérové zástrčky.** Neupravené zástrčky a odpovídající zásuvky snižují riziko úrazu elektrickým proudem.
- b) **Vyvarujte se kontaktu těla s uzemněnými povrchy, jako jsou potrubí, radiátory, trouby a ledničky.** Dojde-li k uzemnění vašeho těla, hrozí zvýšené riziko způsobení úrazu elektrickým proudem.
- c) **Nevystavujte elektrické nářadí dešti ani vlhkému prostředí.** Dostane-li se do elektrického nářadí voda, zvýší se riziko úrazu elektrickým proudem.
- d) **Nezacházejte špatně s napájecím kabelem. Nikdy nepoužívejte napájecí kabel pro přenášení nebo tahání elektrického nářadí ani netahejte za tento kabel při vypořádání zástrčky ze zásuvky. Dbejte na to, aby tento kabel nepřecházel přes horké a mastné povrchy ani přes ostré hrany a aby se nedostal do kontaktu s pohyblivými díly.** Poškozené nebo zamotané kabely zvyšují riziko úrazu elektrickým proudem.
- e) **Používáte-li elektrické nářadí venku, použijte prodlužovací kabel vhodný pro venkovní**

**použití.** Použití prodlužovacího kabelu pro venkovní použití snižuje riziko úrazu elektrickým proudem.

- f) **Musíte-li používat toto elektrické nářadí ve vlhkém prostředí, používejte v elektrickém obvodu proudový chránič (RCD).** Použití proudového chrániče (RCD) snižuje riziko úrazu elektrickým proudem.

### 3) Bezpečnost osob

- a) **Při práci s tímto elektrickým nářadím buďte stále pozorní, sledujte, co provádíte a používejte zdravý rozum. Nepoužívejte elektrické nářadí, jste-li unavení nebo jste-li pod vlivem drog, alkoholu nebo léků.** Malá nepozornost při práci s elektrickým nářadím může mít za následek velmi nebezpečné zranění.
- b) **Vždy používejte osobní ochranné prostředky. Vždy používejte ochranu zraku.** Ochranné prostředky, jako jsou maska proti prachu, neklouzavá pracovní ochranná obuv, pevná přilba nebo chrániče sluchu, které jsou používány v příslušných podmínkách, zmenšují riziko způsobení zranění osob.
- c) **Zabraňte náhodnému spuštění nářadí. Před připojením elektrického nářadí k napájecímu zdroji nebo před vložením akumulátoru do nářadí, před zvednutím nářadí nebo před jeho přenášením se ujistěte, zda je spínač nářadí v poloze vypnuto.** Přenášení elektrického nářadí s prstem na spouštěcím spínači nebo připojení elektrického nářadí k zdroji elektrické energie, je-li spouštěcí spínač v poloze zapnuto, zvyšuje pravděpodobnost vzniku nehod.
- d) **Před zapnutím elektrického nářadí vždy odstraňte všechny klíče a seřizovací přípravky.** Klíče nebo seřizovací přípravky ponechané na rotující části elektrického nářadí mohou způsobit zranění osob.
- e) **Nepřeceňujte své síly. Vždy udržujte správný postoj a rovnováhu.** Tak si zachováte lepší kontrolu nad nářadím v neočekávaných situacích.
- f) **Vhodně se oblékejte. Nenoste volný oděv nebo šperky. Udržujte vlasy, oblečení a rukavice v bezpečné vzdálenosti od všech pohyblivých částí.** Volný oděv, šperky nebo dlouhé vlasy mohou být zachyceny pohyblivými se díly.
- g) **Jsou-li zařízení vybavena adaptérem pro připojení odsávacího systému, ujistěte se, zda je odsávací zařízení správně připojeno a zda správně vykonává svou práci.** Použití odsávání

prachu může snížit rizika spojená prací v prašném prostředí.

- h) **Nedovolte, aby jistota získaná častým používáním nářadí vedla ke snížení vaší pozornosti a ignorování zásad bezpečné práce s nářadím.** Chvilková nepozornost může během zlomku sekundy způsobit vážné zranění.
- ### 4) Použití elektrického nářadí a jeho údržba
- a) **Nepřetěžujte elektrické nářadí. Používejte pro prováděnou práci správné elektrické nářadí.** Správné elektrické nářadí provede práci lépe a bezpečněji, je-li použito pro práce, pro které je určeno.
- b) **Nepoužívejte elektrické nářadí, nepracuje-li správně jeho spouštěcí spínač.** Nemůžete-li elektrické nářadí ovládat pomocí spouštěcího spínače, takové nářadí je velmi nebezpečné a musí být opraveno.
- c) **Před prováděním jakéhokoliv seřízení, před výměnou příslušenství nebo před uložením odpojte napájecí kabel nářadí od napájecího zdroje nebo z nářadí vyjměte akumulátor.** Tato preventivní bezpečnostní opatření snižují riziko náhodného spuštění elektrického nářadí.
- d) **Uložte nepoužívané elektrické nářadí mimo dosah dětí a nedovolte osobám, které nejsou obeznámeny s tímto nářadím nebo s těmito pokyny, aby toto elektrické nářadí používaly.** Elektrické nářadí je v rukách neproškolených osob nebezpečné.
- e) **Provádějte údržbu elektrického nářadí. Zkontrolujte vychýlení nebo zablokování pohyblivých částí, poškození dílů a jiné stavy nářadí, které by mohly mít vliv na jeho správnou funkci. Je-li elektrické nářadí poškozeno, zajistěte jeho opravu dříve, než ho použijete.** Mnoho nehod bývá způsobeno nedostatečnou údržbou elektrického nářadí.
- f) **Udržujte ostré a čisté řezné nástroje.** U správně udržovaných řezných nástrojů s ostrými řeznými břity je menší pravděpodobnost jejich zablokování a lépe se s nimi pracuje.
- g) **Používejte elektrické nářadí, příslušenství, pracovní nástroje atd., podle těchto pokynů a berte v úvahu pracovní podmínky a práci, která bude prováděna.** Použití elektrického nářadí pro operace, pro které není určeno, může vést k nebezpečným situacím.
- h) **Dbejte na to, aby byly rukojeti a úchopné povrchy suché, čisté a zbavené olejí a maziv.**

Kluzké rukojeti a úchopné plochy neumožňují bezpečnou manipulaci a ovládání nářadí v neočekávaných situacích.

### 5) Servis

- a) **Svěřte opravu svého elektrického nářadí pouze osobě s příslušnou kvalifikací, která bude používat výhradně originální náhradní díly.** Tím zajistíte bezpečný provoz tohoto elektrického nářadí.

## DOPLŇKOVÁ BEZPEČNOSTNÍ VAROVÁNÍ PRO PŘÍKLEPOVÉ VRTAČKY



*Toto nářadí je vhodné pro lehkou práci. Nepřetěžujte toto nářadí.*

- a) **Při vrtání s přiklepem používejte ochranu sluchu.** Vystavení hluku může způsobit ztrátu sluchu.
- b) **Používejte přidavné rukojeti, jsou-li s nářadím dodávány.** Ztráta kontroly může způsobit zranění osob.
- c) **Při provádění prací, během nichž se může pracovní nástroj dostat do kontaktu se skrytým elektrickým vedením nebo s vlastním napájecím kabelem, držte elektrické nářadí pouze za izolovaná místa určená pro úchop.** Pracovní příslušenství, které se dostane do kontaktu s „živým“ elektrickým vodičem, může způsobit, že nechráněné kovové části nářadí budou také „živé“, což by mohlo vést k úrazu obsluhy elektrickým proudem.

### Elektrická bezpečnost

Používáte-li elektrická zařízení, vždy dodržujte platné bezpečnostní předpisy, aby bylo omezeno riziko způsobení požáru, úrazu elektrickým proudem nebo zranění osob. Přečtěte si následující bezpečnostní pokyny i přiložené bezpečnostní pokyny.



*Vždy zkontrolujte, zda se napájecí napětí sítě shoduje s napájecím napětím na výkonovém štítku.*



*Nářadí třídy II - Dvojitá izolace - Není nutné použití uzemňovacího vodiče*

Musíte-li používat toto elektrické nářadí ve vlhkém prostředí, používejte v elektrickém obvodu proudový chránič (RCD). Použití proudového chrániče (RCD) snižuje riziko úrazu elektrickým proudem.

## 2. INFORMACE O ZAŘÍZENÍ

### Zamýšlené použití

Tato příklepová vrtačka je určena pro vrtání otvorů do dřeva, kovu a plastu a pro vrtání s přiklepem do cihel a betonu.

### TECHNICKÉ ÚDAJE

Model č.	ID503AC
Napájecí napětí	220-240 V~
Kmitočet	50/60 Hz
Příkon	1100W
Otáčky naprázdno (1)	0-1.200/min
Otáčky naprázdno (2)	0-3.100/min
Počet rázů (1)	0-19.200/min
Počet rázů (2)	0-49.600/min
Velikost sklíčidla	13 mm
Max. průměr vrtáku	Dřevo 30 mm Beton 20 mm Ocel 13 mm
Hmotnost	3,3 kg
Úroveň akustického tlaku $L_{PA}$	94 + 3 dB(A)
Úroveň akustického výkonu $L_{WA}$	105 + 3 dB(A)
Vrtání do kovu, $a_{h,D}$	4,156 + 1,5 m/s <sup>2</sup>
Příklepové vrtání do betonu, $a_{h,ID}$	11,897 + 1,5 m/s <sup>2</sup>

### Úroveň vibrací

Deklarovaná úroveň vibrací uvedená v tomto návodu byla měřena v souladu se standardní zkušební metodou předepsanou normou EN62841. Tato úroveň vibrací může být použita pro srovnání jednotlivých nářadí mezi sebou a také při předběžném posouzení vibrací působících při používání nářadí v uvedených aplikacích.

- Použití tohoto nářadí pro jiné aplikace nebo s odlišným nebo špatně udržovaným příslušenstvím může značně zvýšit působení vibrací.
- Doba, kdy je nářadí vypnuto nebo kdy je v chodu, ale aktuálně nevykonává žádnou práci, může působení vibrací značně zmírnit.

Chraňte se před působením vibrací prováděním řádné údržby tohoto nářadí i jeho příslušenství, udržujte ruce v teple a provádějte práci správným způsobem.

**POPIS**

Čísla v následujícím textu odkazují na obrázky na straně 2.

**Obr. A**

1. Sklíčidlo
2. Volič funkce
3. Hlubkový doraz
4. Zajišťovací tlačítko
5. Vypínač
6. Regulátor otáček
7. Přepínač směru otáčení
8. Přepínač pro volbu převodu
9. Boční rukojeť

**Obr. B**

10. Zadní objímka
11. Přední objímka

**3. SESTAVENÍ****Nasazení a sejmutí pomocné rukojeti (Obr. A)****Nasazení**

- Povolte pomocnou rukojeť (9).
- Nasuňte pomocnou rukojeť (9) přes sklíčidlo (1).
- Otočte pomocnou rukojeť (9) do požadované polohy.
- Utáhněte pomocnou rukojeť (9).

**Sejmutí**

- Povolte pomocnou rukojeť (9).
- Sejměte pomocnou rukojeť (9) ze sklíčidla (1).

**Výměna a vyjmutí vrtáku (Obr. A - B)**

Toto nářadí je vhodné pro použití s následujícími vrtáky:

- Dřevo (HSS)
- Kov (HSS)
- Beton / zdivo (tvrdokov)



*Před výměnou vrtáku nejprve vypojte zástrčku ze síťové zásuvky.*



*Při práci pravidelně kontrolujte vrtáky. Tupé vrtáky musí být znovu naostřeny nebo vyměněny.*

- Otevřete sklíčidlo (1) otáčením přední objímky (11) ve směru hodinových ručiček a současně přidržte v klidu zadní objímku (10) nebo s ní otáčejte proti směru hodinových ručiček a za-

suňte upínací stopku vrtáku do sklíčidla.

- Utáhněte vrták otáčením přední objímky (11) proti směru hodinových ručiček a současně přidržte v klidu zadní objímku (10) nebo s ní otáčejte po směru hodinových ručiček.

**Nastavení hlubkového dorazu (Obr. A)**

- Zasuňte hlubkový doraz (3) do otvoru v prstenci boční rukojeti.
- Zasuňte pravítko do požadované hloubky.

**4. POUŽITÍ**

*Příklepové vrtačky potřebují jen velmi malý tlak uživatele. Nadměrný tlak působící na nářadí může vést k zbytečnému přehřívání motoru a k nadměrnému zahřívání pracovního nástroje.*

**Vypínač (Obr. A)**

- Zapněte nářadí stisknutím vypínače (5). Jestliže vypínač (5) uvolníte, nářadí se vypne.
- Otáčky můžete nastavit pomocí vypínače (5): čím více ho stisknete, tím vyšší budou otáčky; když ho uvolníte, otáčky se sníží.

**Zajišťovací tlačítko (Obr. A)**

- Vypínač (5) můžete zajistit v zapnuté poloze jeho stisknutím a následným stiskem zajišťovacího tlačítka (4).
- Zajišťovací tlačítko pak můžete uvolnit krátkým stiskem vypínače (5).

**Nastavení maximálních otáček (Obr. A)**

- Maximální otáčky nastavíte otočením regulátoru otáček (6) do polohy požadovaných otáček.

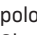
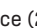
**Přepnutí směru otáčení (obr. A)**

*Neměňte směr otáčení, když motor nářadí běží.*

- Směr otáčení proti směru hodinových ručiček: nastavte přepínač směru otáčení (7) do polohy „L“.
- Směr otáčení po směru hodinových ručiček: nastavte přepínač směru otáčení (7) do polohy „R“.

**Volič funkce (Obr. A)**

*Aby nedošlo k poškození nářadí, je možné polohu voliče funkce (2) měnit pouze tehdy, když je nářadí vypnuté.*

- Chcete-li vrtat, nastavte volič funkce (2) do polohy „“.
- Chcete-li vrtat s přiklepem, nastavte volič funkce (2) do polohy „“.

### Volič převodových stupňů (Obr. A)



Z důvodu zabránění poškození nářadí může být nastavení voliče převodových stupňů (8) prováděno pouze v případě, není-li nářadí v chodu.

- Nastavíte-li volič převodových stupňů (8) do polohy „1“, rozsah otáček pro vrtání bude v rozmezí od 0 do 1 200/min.
- Nastavíte-li volič převodových stupňů (8) do polohy „2“, rozsah otáček pro vrtání bude v rozmezí od 0 do 3 100/min.
- Nelze-li volič převodových stupňů (8) snadno přepnout mezi polohou „1“ a „2“, pootočte rukou mírně sklícidlem (1). Tak usnadníte zapadnutí ozubených kol do správné polohy a usnadníte provádění změny převodových stupňů.

### Rady pro uživatele

Vždy používejte toto nářadí s řádně upevněnou boční rukojetí – získáte tak nejen větší pohodlí při práci, ale také výsledky vaší práce budou přesnější.



Pozor: Vrtáky a příklepové vrtáky mohou být po použití velmi horké.

### Vrtání a příklepové vrtání

- Pro vrtání velkých otvorů, například do velmi tvrdého betonu, nejdříve použijte malý vrták pro vyvrtání vodicího otvoru a potom použijte vrták požadované velikosti.
- Držte nářadí pevně oběma rukama. Pamatujte na to, že se vrták může zaseknout, a proto může dojít k náhlému otočení nářadí (zejména při vrtání hlubokých otvorů).
- Nevytvíjejte na nářadí příliš velký tlak a nechejte jej pracovat jeho vlastním tempem.

## 5. ÚDRŽBA



Před prováděním údržby motoru se ujistěte, zda je nářadí odpojeno od napájecího napětí.

Pravidelně čistěte kryt zařízení jemným hadříkem, ideálně po každém použití. Ujistěte se, že nejsou větrací otvory zaneseny prachem nebo jinými nečistotami. Odolnější nečistoty odstraňte pomocí jemného hadříku navlhčeného v mýdlové pěně. Nepoužívejte žádná rozpouštědla, jako je benzín, líh, čpavek atd. Takové chemické látky mohou způsobit poškození dílů z umělé hmoty.

## OCHRANA ŽIVOTNÍHO PROSTŘEDÍ



Poškozená a likvidovaná elektrická nebo elektronická zařízení musí být odevzdána ve sběrných dvorech, které jsou určeny pro tento účel.

### Pouze pro země EU

Nevyhazujte elektrická nářadí do běžného domácího odpadu. Podle evropské směrnice 2012/19/EC týkající se likvidace elektrických a elektronických zařízení a její implementace do vnitrostátního práva, musí být nepoužívaná elektrická nářadí shromažďována odděleně a jejich likvidace musí být provedena tak, aby nedošlo k ohrožení životního prostředí.

## ZÁRUKA

Výrobky VONROC jsou vyvíjeny v souladu s požadavky norem na nejvyšší kvalitu a je zaručeno, že po dobu platné záruky, která začíná běžet dnem původního nákupu, nebudou na těchto výrobcích žádné vady materiálu, ani vady způsobené špatným dílenským zpracováním. Dojde-li během tohoto období k závadě v důsledku vady materiálu nebo dílenského zpracování, kontaktujte přímo firmu VONROC.

Z této záruky jsou vyloučeny následující případy:

- Opravy nebo úpravy tohoto zařízení byly provedeny nebo byly provedeny pokusy o jejich provedení v neautorizovaných servisech;
- Běžné opotřebení;
- Toto zařízení bylo nesprávně použito, nevhodně použito nebo nebyla prováděna jeho správná údržba;
- Byly použity neoriginální náhradní díly.

Výše uvedené představuje jedinou záruku poskytovanou společností, ať už výslovnou nebo předpokládanou. Neexistují žádné další záruky, výslovné



ani nebo předpokládané, které přesahují rámec zde uvedeného, včetně předpokládaných záruk prodejnosti a vhodnosti pro určitý účel. VONROC v žádném případě neodpovídá za jakékoliv náhodné ani následné škody. Opravné prostředky prodejce se omezují výhradně na opravu nebo výměnu nevyhovujících jednotek nebo dílů.

**Na tomto výrobku a v tomto návodu mohou být prováděny změny. Technické údaje mohou být změněny bez předchozího upozornění.**

## 1. GUVENLİK TALİMATLARI

Ekteki güvenlik uyarılarını, ilave güvenlik uyarılarını ve talimatları okuyun. Güvenlik uyarılarını ve talimatları izlememek elektrik çarpması, yangın ve/veya ciddi yaralanma ile sonuçlanabilir. Güvenlik uyarılarını ve talimatları gelecekte referans olması için saklayın.

Aşağıdaki semboller kullanıcı kılavuzunda veya ürün üzerinde kullanılmaktadır:



*Kullanıcı kılavuzunu okuyun.*



*Bu kılavuzdaki talimatlara uymama durumunda bedensel yaralanma, can kaybı veya alete hasat riskini belirtir.*



*Elektrik çarpması riski.*



*Şebeke kablosu temizlik ve bakım sırasında hasar görürse şebeke fişini hemen prizden çıkarın.*



*Koruyucu gozluk takın.  
Duyuma koruması takın.*



*Bir toz maskesi takın.*



*Sınıf II makine- Cift İzolasyon - Topraklanmış prize ihtiyacınız yok.*



*Değişken elektronik hız.*



*Donuş, sol/sağ.*



*Urunu uygun olmayan kaplara atmayın.*



*Urun, Avrupa yonergelerinde belirtilen, yururlukteki güvenlik standartlarına uygundur.*

### GENEL ELEKTRIKLI ALET GÜVENLİK UYARILARI



**UYARI** Tüm güvenlik uyarılarını ve tüm talimatları okuyun. Uyarılara uyulmadı ve talimatlar elektrik çarpmasına, yangına ve/veya ciddi yaralanmalara neden olabilir.

### **Tüm uyarıları ve talimatları gelecekte başvurmak üzere saklayın.**

Uyarılardaki "elektrikli alet" terimi, şebeke elektriği ile çalışan (kablolu) elektrikli alet veya pil ile çalışan (kablesiz) elektrikli alet anlamına gelir.

#### **1) İş aşanı güvenliği**

- İş alanını temiz ve aydınlık tutun.** Dağınık veya karanlık bölgeler, kazalara davetiye çıkarır.
- Elektrikli aletleri, yanıcı sıvıların, gazların veya tozun var olduğu patlayıcı atmosferlerde kullanmayın.** Elektrikli aletler, tozu veya dumanları ateşleyebilecek kıvılcımlar oluşturur.
- Bir elektrikli aleti kullanırken, çocukları ve çevredekileri uzak tutun.** Dikkatiniz dağılırsa kontrolü kaybedebilirsiniz.

#### **2) Elektrik güvenliği**

- Elektrikli alet fişleri, prize uygun olmalıdır. Fişi, hiçbir şekilde modifiye etmeyin. Topraklı elektrikli aletlerle, herhangi bir fiş adaptörü kullanmayın.** Modifiye edilmemiş fişler ve buna uygun prizler, elektrik çarpması riskini azaltır.
- Borular, radyatörler, ocaklar ve buzdolapları gibi topraklı yüzeylerle temastan kaçınin.** Eğer vücudunuz topraklanmışsa, elektrik çarpması riski daha fazla olur.
- Elektrikli aletleri yağmura veya ıslaklığa maruz bırakmayın.** Bir elektrikli alete su girmesi durumunda, elektrik çarpması riski artacaktır.
- Kabloya kötü davranmayın. Kabloyu taşıma amacıyla, elektrikli aleti ya da elektrikli aletin fişini çekmek için kullanmayın. Kabloyu ısadan, yağdan, keskin kenarlardan ya da hareketli parçalardan uzak tutun.** Hasar görmüş ya da dolaşmış kablolar, elektrik çarpması riskini artırır.
- Bir elektrikli aleti dış mekanlarda kullanırken, dış mekan kullanımına uygun bir uzatma kablosu kullanın.** Dış mekan kullanımına uygun ir kablo kullanıldığında, elektrik çarpması riski azalır.
- Elektrikli aleti nemli bir konumda çalıştırmak kaçınılmazsa, kaçak akım cihazı (RCD) korumalı bir kaynak kullanın.** RCD kullanımı elektrik çarpması riskini azaltır.

#### **3) Kişisel güvenlik**

- Elektrikli aleti kullanırken tetikte kalın, ne yaptığınıza dikkat edin ve sağduyulu davranın. Bir elektrikli aleti yorgun olduğunuzda ya da uyuş-**

#### **turucu, alkol veya ilaç etkisindeyken kullanmayın.**

Elektrikli aleti kullanırken bir anlık dikkatsizlik ciddi kişisel yaralanmalara neden olabilir.

- Kişisel koruyucu donanım kullanın. Her zaman göz koruması takın.** Uygun durumlar için kullanılan toz maskesi, kaymaz güvenlik ayakkabıları, baret veya kulak tıkacı gibi koruyucu donanımlar, kişisel yaralanma riskini azaltacaktır.
- Kasıtsız çalışmayı önleyin. Bir elektrik kaynağını ve/veya pil takımını bağlamadan, aleti kaldırmadan ya da taşımadan önce elektrikli aletin anahatlarının kapalı durumda olduğundan emin olun.** Elektrikli aletleri parmağınız anahtar üzerindeki taşıma veya anahtarı açık elektrikli aletleri harekete geçirmek kazalara davetiye çıkarır.
- Elektrikli aleti açık duruma getirmeden önce her türlü ayar anahtarını çıkarın.** Elektrikli aletin dönen bir parçasında kalan bir anahtar, kişisel yaralanmalara neden olabilir.
- Fazla uzanmayın. Ayaklarınızı sağlam basın ve her zaman dengeli olun.** Böylece beklenmeyen durumlarda elektrikli aleti daha iyi kontrol edebilirsiniz.
- Uygun kıyafetler giyin. Bol kıyafetler giymeyin, takılar takmayın. Saçınızı, kıyafetlerinizi ve eldivenlerinizi, hareketli parçalardan uzak tutun.** Bol kıyafetler, takılar veya uzun saç, hareketli parçalara takılabilir.
- Eğer cihazlar toz giderme ve toplama tesislerinin bağlantısı için sağlanmışsa, bunların bağlandığından ve düzgün bir şekilde kullanıldığından emin olun.** Toz toplama ile tozla ilgili tehlikeleri azaltılabilir.
- Aletlerin sık kullanılmasından edindiğiniz bilgi birikiminin sizi aşırı rehavete sürüklemesine izin vermeyin ve araç güvenliği ilkelerini göz ardı etmeyin.** Dikkatsiz bir hareket, bir saniyeden bile kısa sürede ciddi yaralanmalara neden olabilir.

#### **4) Elektrikli alet kullanımı ve bakımı**

- Elektrikli aleti zorlamayın. Uygulamanız için doğru elektrikli aleti kullanın.** Doğru elektrikli alet, tasarım amacına uygun olarak işi daha iyi yapacaktır.
- Eğer anahtarlar açılıp kapatılmıyorsa, elektrikli aleti kullanmayın.** Anahtarla kumanda edilemeyen elektrikli aletler tehlikelidir ve tamir edilmelidir.
- Herhangi bir ayar, aksesuar değişimi ya da depolama işleminden önce elektrikli aletin fişini elektrik kaynağından çıkarın ve/veya pil takımını elektrikli aletten çıkarın.** Bu tür önleyici güvenlik

önlemleri, elektrikli aletin kazara çalışma riskini azaltır.

- d) **Boş durumdaki elektrikli aletleri çocukların erişemeyeceği bir yerde muhafaza edin ve elektrikli aletin nasıl çalıştığını ya da bu talimatları bilmeyen kişilerin elektrikli aleti kullanmasına izin vermeyin.** Elektrikli aletler, eğitimsiz kullanıcıların elinde tehlikeli olur.
- e) **Elektrikli aletlerin bakımını yapın. Hatalı ayarlar veya hareketli parçaların bağlanması, parça kırılmaları ve elektrikli aletin çalışmasını etkileyebilecek diğer durumlar için kontrol gerçekleştirin. Eğer herhangi bir hasar varsa, elektrikli alet kullanılmadan önce tamir edilmelidir.** Çoğu kazaya bakımı iyi yapılmayan elektrikli aletler neden olur.
- f) **Kesme aletlerini keskin ve temiz tutun.** Bakımı iyi yapılan ve keskin kenarlara sahip kesme aletlerinde donmalar daha az yaşanır ve kontrol edilmeleri daha kolay olur.
- g) **Elektrikli aleti, aksesuarlarını ve torna kalemlerini bu talimatlara uygun olarak kullanın, çalışma koşullarını ve gerçekleştirilecek olan işi dikkate alın.** Elektrikli aletin kullanım amacı dışında kullanılması, tehlikeli durumlarla sonuçlanabilir.
- h) **Tutamakları ve tutma yerlerini kuru, temiz ve yağdan arındırılmış şekilde muhafaza edin.** Kaygan tutamaklar ve tutma yerleri, beklenmedik durumlarda aletin güvenli şekilde taşınmasına ve kontrol edilmesine izin vermez.
- 5) **Servis**
- a) **Elektrikli aletinizin servis işlemlerini, yalnızca aynı yedek parçaları kullanan vasıflı bir tamircinin yapmasını sağlayın.** Bu, elektrikli aletin güvenliğinin korunmasını sağlayacaktır.

## DARBELİ DELİCİLER İÇİN İLAVE



*Bu makine hafif işler için uygundur. Makineyi aşırı yüklemeyin.*

- a) **Darbeli delme yaparken kulak koruyucuları takın.** Gürültüye maruz kalma işitme kaybına neden olabilir.
- b) **Eğer aletle birlikte sağlanmışsa yardımcı tutamak(lar) kullanın.** Kontrol kaybı bedensel yaralanmaya neden olabilir.
- c) **Elektrikli aleti izole edilmiş tutma yüzeylerinden tutun, bir işlem gerçekleştirirken kesme aksesuarı gizli tellerle veya kendi kordonuyla temas edebilir.** Kesme aksesuarının “elektrikli” bir telle temas etmesi, elektrikli aletin açık me-

tal kısımlarına “elektrik” verebilir ve operatörü elektrik çarparabilir.

## Elektrik güvenliği

Elektrikli makineleri kullanırken yangın, elektrik çarpması ve bedensel yaralanma riskini azaltmak için ülkenizde geçerli güvenlik düzenlemelerine her zaman uyun. Aşağıdaki güvenlik talimatlarını ve ayrıca ekteki güvenlik talimatlarını okuyun.



*Güç kaynağının voltajının, anma değeri plakası etiketi üzerindeki voltaja karşılık geldiğini her zaman kontrol edin. corresponds to the voltage on the rating plate label.*



*Sınıf II makine- Çift İzolasyon - Topraklanmış prize ihtiyacınız yok.*

Elektrikli aleti nemli bir konumda çalıştırmak kaçınılmazsa, kaçak akım cihazı (RCD) korumalı bir kaynak kullanın. RCD kullanımı elektrik çarpması riskini azaltır.

## 2. MAKİNE BİLGİSİ

### Kullanım amacı

Darbeli matkabınız ahşap, metal ve plastikte delik delme; tuğla ve betonda darbeli delme için tasarlanmıştır.

### TEKNİK SPESİFİKASYONLAR

Model No.	ID503AC
Şebeke voltajı	220-240 V~
Şebeke frekansı	50/60 Hz
Güç girişi	1100W
Yüksüz hız (1)	0-1.200/min
Yüksüz hız (2)	0-3.100/min
Darbe hızı (1)	0-19.200/min
Darbe hızı (2)	0-49.600/min
Taille du mandrin	13 mm
Maks. matkap ucu çapı	Ahşap 30 mm Beton 20 mm Çelik 13 mm
Ağırlık	3,3 kg
Ses basınç seviyesi L <sub>PA</sub>	94 + 3 dB(A)
Ses güç seviyesi L <sub>WA</sub>	105 + 3 dB(A)

El-kol vibrasyonu, $a_{h,D}$ (Metali delme)	4,156 + 1,5 m/s <sup>2</sup>
Betonda perküsyon sondajı, $a_{h,D}$	11,897 + 1,5 m/s <sup>2</sup>

### Vibrasyon seviyesi

Bu talimat kılavuzunda belirtilen vibrasyon emisyon seviyesi EN62841; içinde verilen bir standart teste uygun olarak ölçülmüştür; bir aleti başka bir aletle karşılaştırmak için ve aleti adı geçen uygulamalar için kullanırken bir ilk maruz kalma değerlendirme-si olarak kullanılabilir:

- aleti farklı uygulamalar için veya farklı ya da kötü bakılan aksesuarlarla kullanmak maruz kalma seviyesini büyük ölçüde artırabilir;
- aletin kapalı olduğu zamanlar maruz kalma seviyesini işi yapmadığı zamanlar maruz kalma seviyesini büyük ölçüde azaltabilir.

Aletin ve aksesuarların bakımını yaparak, ellerinizi sıcak tutarak ve çalışma düzenlerinizi organize ederek vibrasyonun etkilerine karşı kendinizi koruyun.

### ACIKLAMA

Metindeki numaralar sayfa 2'teki semaları işaret etmektedir.

#### Şekil A

1. Matkap kovani
2. İşlev seçim anahtarı
3. Derinlik durdurma
4. Kilitleme düğmesi
5. Açma / Kapama anahtarı
6. Hız ayarlama tekeri
7. Sol/sağ dönme anahtarı
8. Spínač výberu prevodu
9. Yan tutamak

#### Şekil B

10. Arka manşon
11. Ön manşon

## 3. MONTAJ

### İlave tutamağı takma ve sökme (Şekil A)

#### Takma

- İlave tutamağı (9) gevşetin.
- İlave tutamağı (9) kovan (1) üzerinden kaydırın.
- İlave tutamağı (9) gerekli konuma çevirin.
- İlave tutamağı (9) sıkıştırın.

#### Sökme

- İlave tutamağı (9) gevşetin.
- İlave tutamağı (9) kovan (1) üzerinden sökün.

### Matkap uçlarını değiştirmek ve çıkarmak (Şek. A - B)

Makine, aşağıdaki matkap uçlarıyla kullanıma uygundur:

- Ahşap (HSS-Yüksek Hız Çeliği)
- Metal (HSS-Yüksek Hız Çeliği)
- Beton / Taş (sert metal)



*Uçları değiştirmeden önce önce elektrik fişini duvar prizinden çıkarın.*



*Kullanım sırasında uçları düzenli olarak kontrol edin. Küt uçlar tekrar sivriltilmeli veya değiştirilmelidir.*

- Ön manşonu (1) saat yönünde çevirerek ve aynı anda arka manşonu (11) tutarak veya saatin ters yönünde çevirerek kovani (10) açın ve ucu kovan açıklığına yerleştirin.
- Ucu, ön manşonu (11) saatin ters yönünde çevirirken aynı anda arka manşonu (10) tutarak veya saat yönünde çevirerek sıkıştırın.

### Derinlik belirleme ayarı (Şekil A)

- Derinlik durdurmayı (3) yan tutamak halkası içindeki delikten yerleştirin.
- Cetveli istenen derinliğe kaydırın.

## 4. CALIŞTIRMA



*Darbeli matkaplar kullanıcının çok az baskı yapmasını gerektirir. Alet üzerine uygulanan aşırı baskı motorun gereksiz aşırı ısınmasına ve çalışan aletin yanmasına yol açabilir.*

### Makinenin Açılması/Kapatılması (Şekil A)

- Açma/Kapama düğmesine (5) basarak makineyi açın. Açma/Kapama düğmesini (5) bıraktığınızda makine açılacaktır.6
- Dönme hızı Açma/Kapama düğmesini (5) dönme hızını artırmak için sert basarak veya dönme hızını düşürmek için serbest bırakarak ayarlanabilir.

### Kilitleme Düğmesi (Şekil A)

- Önce Açma/Kapama düğmesine (5) ve ardından kilitleme düğmesine (4) basarak Açma/Kapama düğmesini (5) kilitleyebilirsiniz.

- Düşme kilidini serbest bırakmak için; Açma/ Kapama düğmesine (5) tekrar kısaca basın.



*Dikkat: matkap uçları ve darbeli matkap uçları çok ısınabilir.*

#### Maksimum dönme hızını ayarlama (Şekil A)

- Hız ayarlama tekerleğini (6) istenen maksimum dönme hızına çevirerek hızı ayarlayın.

#### Dönüş yönünü değiştirme (Şekil A)



*Kullanım sırasında dönüş yönünü değiştirmeyin.*

- Dönüş yönü saat yönünün tersine: sol/sağ dönüş ayarlama düğmesini (7) "L" konumuna getirin.
- Dönüş yönü saat yönünde: sol/sağ dönüş ayarlama düğmesini (7) "R" konumuna getirin.

#### İşlev seçme düğmesi (Şekil A)



*Makineye hasar vermektten kaçınmak için, işlev seçme düğmesinin (2) uyarı ancak makine çalışmıyorken yapılmalıdır.*

- Delme için işlev seçme düğmesini (2) "▲" konumuna ayarlayın.
- Darbeli delme için işlev seçme düğmesini (2) "■" konumuna getirin.

#### Dişli seçim anahtarı (Şekil A)



*Makineye hasar vermektten kaçınmak için, vites seçim anahtarını (8) ayarlama yalnızca makine çalışmıyorken yapılmalıdır.*

- Vites seçme anahtarını (8) konum "1" olarak ayarlarsanız, delme hızı 0 ile 1200/dak. arasında ayarlanabilir.
- Vites seçme anahtarını (8) konum "2" olarak ayarlarsanız, delme hızı 0 ile 3.100/dak. arasında ayarlanabilir.
- Vites seçme anahtarı (8) "1" ve "2" arasında kolayca geçiş yapamadığında, ellerinizi kullanarak kovani (1) biraz döndürün. Bu, dişlilerin doğru konuma oturmasına ve vitesleri daha kolay değiştirmeye yardımcı olacaktır.

#### Kullanıcı ipuçları

Makineyi her zaman yan tutamak yerine sabit bir şekilde takılı olarak kullanın - daha konforlu bir şekilde çalışmanın yanı sıra daha hassas delme işlemleri yapabileceksiniz.

#### Delme ve darbeli delme

- Örneğin çok sert betonda yapılacak büyük delikler için önce deneme amaçlı delme için daha küçük bir uç kullanın, ardından nominal boyutta delin.
- Makineyi 2 elinizle sıkıca tutun. Matkap sıkışabilir ve bu yüzden makine aniden dönebilir (özellikle derin delikler delerken).
- Makine üzerine fazla baskı uygulamayın, işi makineye bırakın.

#### 5. BAKIM



*Motorda bakım çalışması yaparken makinenin elektrik kaynağına bağlantısı olmadığından emin olun.*

Makine kaplamalarını yumuşak bir bezle, tercihen her kullanımdan sonra düzenli olarak temizleyin. Havalandırma deliklerinin toz ve kirden arınmış olduğundan emin olun. Çok inatçı kirleri sabun köpüğüyle ıslatılmış yumuşak bir bezle çıkarın. Benzin, alkol, amonyak vs. gibi çözücü maddeleri kullanmayın. Bunlar gibi kimyasallar sentetik bileşenlere zarar verecektir.

#### CEVRE



*Arızalı ve/veya atılmış elektrikli veya elektronik ekipmanların uygun geri dönüşüm konumlarında toplanması gerekir.*

#### Yalnızca AT ülkeleri için

Elektrikli aletleri evsel atık olarak atmayın. Atık Elektrikli ve Elektronik Donanım için Avrupa İlkeleri 2012/19/EU'ya ve bunun yerel hukuk çerçevesinde uygulamasına göre, artık kullanılamaz olan elektrikli aletler ayrı olarak toplanmalı ve çevre dostu bir yolla imha edilmelidir.

#### GARANTİ

VONROC ürünleri yüksek kalite standartları doğrultusunda geliştirilmiştir ve ilk satın alımdan itibaren kanunen belirlenen süre boyunca materyal ve işçilik açısından kusursuz olacağı garanti edilmektedir. Bu süre zarfında, kusurlu materyal ve/veya işçilikten dolayı urunde herhangi bir arıza

meydana gelmesi durumunda, doğrudan VONROC iletişim kurun.

Takip eden durumlar bu garanti kapsamı dışındadır:

- Yetkisiz servis merkezleri tarafından yapılan veya yapılmaya teşebbüs edilen onarım ve/veya değişiklikler.
- Normal aşınma ve eskime.
- Cihazın kötü ve yanlış kullanılması veya cihaza yanlış bakım yapılması.
- Orijinal olmayan yedek parçaların kullanılması

Bu, şirket tarafından açık ya da zımni verilmiş tek garantiyi oluşturur. Belirli bir amac için ticarete elverişlilik ve uygunluğun zımni garantileri dahil dış görüşünün ötesine uzanan açık veya zımni başka hiçbir garanti yoktur. VONROC herhangi bir arıza veya dolaylı zarardan hiçbir halukarda sorumlu olmayacaktır. Bayilerin getireceği çözümler uygunsuz birimlerin veya parçaların onarımı veya değiştirilmesiyle sınırlı olacaktır.

**Urun ve kullanıcı kılavuzu değişikliğe tabidir.  
Spesifikasyonlar başka bir uyarı olmaksızın değiştirilebilir.**



## DECLARATION OF CONFORMITY ID503AC - IMPACT DRILL

- (EN) We declare under our sole responsibility that this product is in conformity with directive 2011/65/EU of the European parliament and of the council of 8 June on the restriction of the use of certain hazardous substances in electrical and electronic equipment is in conformity and accordance with the following standards and regulations:
- (DE) Der Hersteller erklärt eigenverantwortlich, dass dieses Produkt der Direktive 2011/65/ EU des Europäischen Parlaments und des Rats vom 8. Juni 2011 über die Einschränkung der Anwendung von bestimmten gefährlichen Stoffen in elektrischen und elektronischen Geräten entspricht. den folgenden Standards und Vorschriften entspricht:
- (NL) Wij verklaren onder onze volledige verantwoordelijkheid dat dit product voldoet aan de conform Richtlijn 2011/65/EU van het Europees Parlement en de Raad van 8 juni 2011 betreffende beperking van het gebruik van bepaalde gevaarlijke stoffen in elektrische en elektronische apparatuur en in overeenstemming is met de volgende standaarden en reguleringen:
- (FR) Nous déclarons sous notre seule responsabilité que ce produit est conforme aux standards et directives suivants: est conforme à la Directive 2011/65/EU du Parlement Européen et du Conseil du 8 juin 2011 concernant la limitation d'usage de certaines substances dangereuses dans l'équipement électrique et électronique.
- (ES) Declaramos bajo nuestra exclusiva responsabilidad que este producto cumple con las siguientes normas y estándares de funcionamiento: se encuentra conforme con la Directiva 2011/65/UE del Parlamento Europeo y del Consejo de 8 de junio de 2011 sobre la restricción del uso de determinadas sustancias peligrosas en los equipos eléctricos y electrónicos.
- (IT) Dichiariamo, sotto la nostra responsabilità, che questo prodotto è conforme alle normative e ai regolamenti seguenti: è conforme alla Direttiva 2011/65/UE del Parlamento Europeo e del Consiglio dell'8 giugno 2011 sulla limitazione dell'uso di determinate sostanze pericolose nelle apparecchiature elettriche ed elettroniche.
- (SV) Vi försäkrar under vårt eget ansvar att denna produkt överensstämmer med Europaparlamentets och rådets direktiv 2011/65/EU av den 8 juni om begränsning av användningen av vissa farliga ämnen i elektrisk och elektronisk utrustning och är i överensstämmelse och enlighet med följande standarder och föreskrifter:
- (DA) Vi erklærer under eget ansvar, at dette produkt er i overensstemmelse med Europa-Parlamentets og Rådets direktiv 2011/65/EU af 8. juni om begrænsning af brugen af visse farlige stoffer i elektrisk og elektronisk udstyr og overholder og er i overensstemmelse med følgende standarder og regler:
- (PL) Deklarujemy na własną odpowiedzialność, że ten produkt spełnia wymogi zawarte w następujących normach i przepisach: jest zgodny z Dyrektywą 2011/65/UE Parlamentu Europejskiego i Rady z dnia 8 czerwca 2011 r. w sprawie ograniczenia stosowania niektórych niebezpiecznych substancji w sprzęcie elektrycznym i elektronicznym.
- (RO) Declaram sub responsabilitatea exclusivă că acest produs este în conformitate cu Directiva 2011/65/EU a Parlamentului și a Consiliului European din 8 iunie privind restricționarea utilizării anumitor substanțe periculoase în echipamentele electrice și electronice și în conformitate cu următoarele standarde și reglementări:
- (PT) Declaramos, sob nossa exclusiva responsabilidade, que este produto está em conformidade com a directiva 2011/65/UE do Parlamento Europeu e com a do conselho de 8 de Junho sobre a restrição da utilização de determinadas substâncias perigosas em equipamento eléctrico e electrónico está em conformidade e de acordo com as seguintes normas e regulamentações:
- (HU) Kizárólagos felelősségünk tudatában kijelentjük, hogy ez a termék megfelel az Európai Parlamentnek és a Tanácsnak az egyes veszélyes anyagok elektromos és elektronikus berendezésekben való alkalmazásának korlátozásáról szóló 2011/65/EU irányelvének (2011. június 8.), valamint a következő szabványoknak és jogszabályoknak:
- (CS) Prohlašuji, že na svou výhradní odpovědnost, že tento výrobek splňuje požadavky směrnice 2011/65/EU Evropské rady a parlamentu ze dne 8. června, která se týká omezení používání určitých nebezpečných látek v elektrických a elektronických zařízeních, a splňuje také všechny požadavky následujících norem a předpisů:
- (TR) Tek sorumlusu biz olmak üzere bu ürünün Avrupa Parlamentosunun 2011/65/EU ve 8 Haziran 2011 tarihli konseyin elektrikli ve elektronik ekipmanlarda belirlenmiş tehlikeli malzeme kullanımının kısıtlanması hakkındaki talimatları ile birliktе аşаğıda belirtilen standart ve yönergelere uygun ve uyumlu olduğunu beyan ederiz:

**EN55014-1, EN55014-2, EN 62841-1, EN 62841-2-1, EN61000-3-2, EN61000-3-3  
2006/42/EC, 2014/30/EU, 2011/65/EU, 2012/19/EU**

Zwolle, 01-06-2022

H.G.F Rosberg  
CEO

**VONROC - Lingenstraat 6 - 8028 PM Zwolle - The Netherlands**



**VONROC®**  
BUILD YOUR FUTURE

©2022 VONROC  
[WWW.VONROC.COM](http://WWW.VONROC.COM)

2206-30