



AGM1110P / AGM1111P / AGM1112P AGM1113P / AGM1114P / AGM1115P

EN	Original instructions	04	CS	Překlad původního návodu k používání	81
DE	Übersetzung der Originalbetriebsanleitung	10	SK	Preklad pôvodného návodu na použitie	88
NL	Vertaling van de oorspronkelijke gebruiksaanwijzing	17	PL	Tłumaczenie instrukcji oryginalnej	94
FR	Traduction de la notice originale	23	LT	Originalios instrukcijos vertimas	101
ES	Traducción del manual original	30	LV	Instrukciju tulkojums no oriģinālvalodas	107
PT	Tradução do manual original	37	ET	Algupärase kasutusjuhendi tõlge	113
IT	Traduzione delle istruzioni originali	44	RO	Traducere a instrucțiunilor originale	119
SV	Översättning av bruksanvisning i original	51	BG	Превод на оригиналната инструкция	125
FI	Alkuperäisten ohjeiden käännös	57	EL	Μετάφραση του πρωτοτύπου των οδηγιών χρήσης	133
NO	Oversatt fra original veiledning	63	AR	تعليمات للاستخدام	140
DA	Oversættelse af den originale brugsanvisning	69	MK	Превод на оригиналните упатства	145
HU	Eredeti használati utasítás fordítása	75	VI	Hướng dẫn chung	151



Fig. A

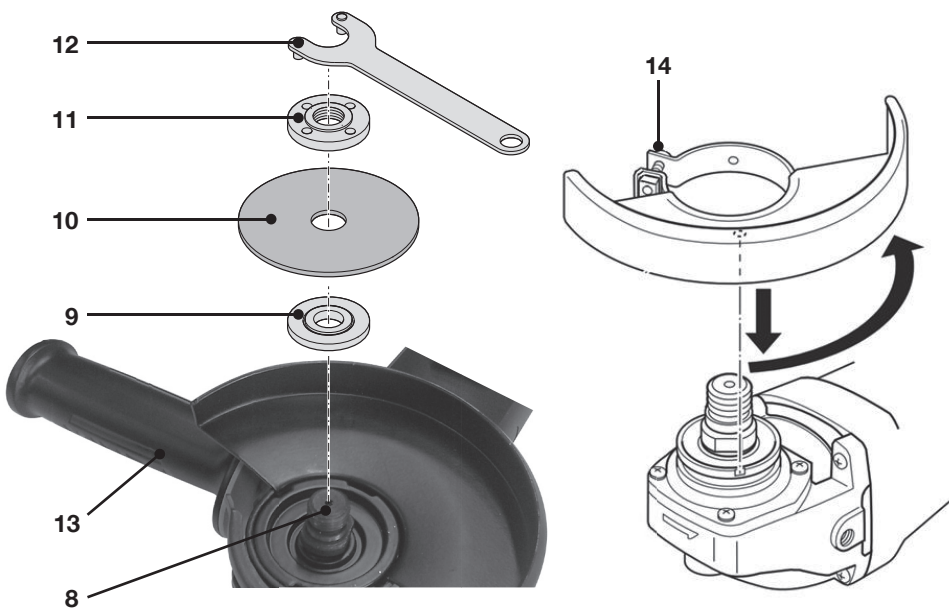


Fig. B

Fig. C

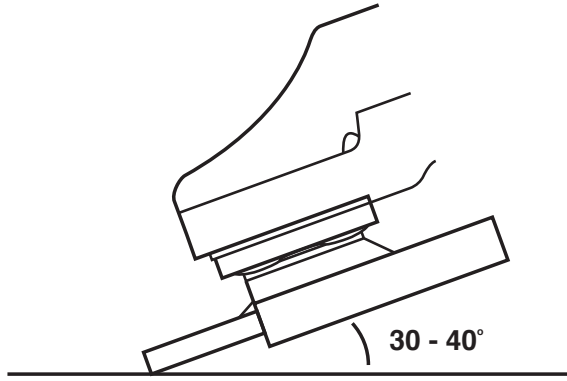
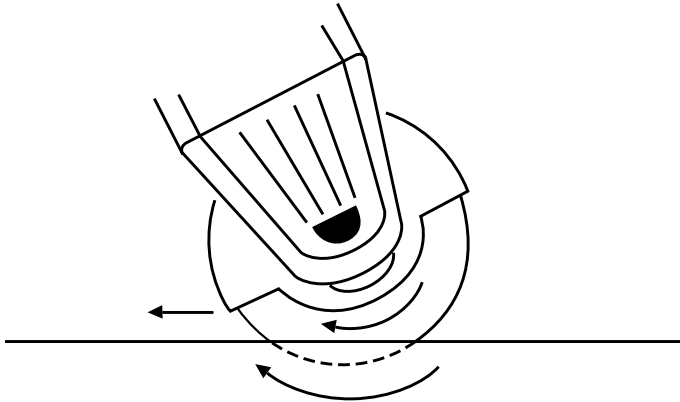


Fig. D



ANGLE GRINDER

AGM1110P 710W 100mm

AGM1111P 850W 100mm

AGM1112P 710W 115mm

AGM1113P 850W 115mm

AGM1114P 710W 125mm

AGM1115P 850W 125mm

Thank you for buying this FERM product. By doing so you now have an excellent product, delivered by one of Europe's leading suppliers. All products delivered to you by FERM are manufactured according to the highest standards of performance and safety. As part of our philosophy we also provide an excellent customer service, backed by our comprehensive warranty. We hope you will enjoy using this product for many years to come.



Always wear eye protection!
Wear hearing protection.



Wear safety gloves.



Do not press the spindle lock button while the motor is running.



Risk of fire.



Do not dispose of the product in unsuitable containers.



The product is in accordance with the applicable safety standards in the European directives.

1. SAFETY INSTRUCTIONS



Read the enclosed safety warnings, the additional safety warnings and the instructions. Failure to follow the safety warnings and the instructions may result in electric shock, fire and/or serious injury. **Save the safety warnings and the instructions for future reference.**

The following symbols are used in the user manual or on the product:



Read the user manual.



Denotes risk of personal injury, loss of life or damage to the tool in case of non-observance of the instructions in this manual.



Risk of electric shock



Immediately remove the mains plug from the mains if the mains cable becomes damaged and during cleaning and maintenance.



Risk of flying objects. Keep bystanders away from the work area.



Safety Warnings Common for Grinding or Abrasive Cutting-Off Operations:

- This power tool is intended to function as a grinder tool. Read all safety warnings, instructions, illustrations and specifications provided with this power tool.** Failure to follow all instructions listed below may result in electric shock, fire and/or serious injury.
- Operations such as sanding, wire brushing, polishing are not recommended to be performed with this power tool.** Operations for which the power tool was not designed may create a hazard and cause personal injury.
- Do not use accessories which are not specifically designed and recommended by the tool manufacturer.** Just because the accessory can be attached to your power tool, it does not assure safe operation.
- The rated speed of the accessory must be at least equal to the maximum speed marked on the power tool.** Accessories running faster than their rated speed can break and fly apart.
- The outside diameter and the thickness of your accessory must be within the capacity rating of your power tool.** Incorrectly sized accessories cannot be adequately guarded or controlled.
- Threaded mounting of accessories must match the grinder spindle thread.** For

- accessories mounted by flanges, the arbour hole of the accessory must fit the locating diameter of the flange. Accessories that do not match the mounting hardware of the power tool will run out of balance, vibrate excessively and may cause loss of control.
- g) **Do not use a damaged accessory. Before each use inspect the accessory such as abrasive wheels for chips and cracks, backing pad for cracks, tear or excess wear, wire brush for loose or cracked wires. If power tool or accessory is dropped, inspect for damage or install an undamaged accessory. After inspecting and installing an accessory, position yourself and bystanders away from the plane of the rotating accessory and run the power tool at maximum no-load speed for one minute. Damaged accessories will normally break apart during this test time.**
- h) **Wear personal protective equipment. Depending on application, use face shield, safety goggles or safety glasses. As appropriate, wear dust mask, hearing protectors, gloves and workshop apron capable of stopping small abrasive or workpiece fragments. The eye protection must be capable of stopping flying debris generated by various operations. The dust mask or respirator must be capable of filtering particles generated by your operation. Prolonged exposure to high intensity noise may cause hearing loss.**
- i) **Keep bystanders a safe distance away from work area. Anyone entering the work area must wear personal protective equipment. Fragments of workpiece or of a broken accessory may fly away and cause injury beyond immediate area of operation.**
- j) **Hold the power tool by insulated gripping surfaces only, when performing an operation where the cutting accessory may contact hidden wiring or its own cord. Cutting accessory contacting a "live" wire may make exposed metal parts of the power tool "live" and could give the operator an electric shock.**
- k) **Position the cord clear of the spinning accessory. If you lose control, the cord may be cut or snagged and your hand or arm may be pulled into the spinning accessory.**
- l) **Never lay the power tool down until the accessory has come to a complete stop. The spinning accessory may grab the surface and pull the power tool out of your control.**
- m) **Do not run the power tool while carrying it at your side. Accidental contact with the spinning accessory could snag your clothing, pulling the accessory into your body.**
- n) **Regularly clean the power tool's air vents. The motor's fan will draw the dust inside the housing and excessive accumulation of powdered metal may cause electrical hazards.**
- o) **Do not operate the power tool near flammable materials. Sparks could ignite these materials.**
- p) **Do not use accessories that require liquid coolants. Using water or other liquid coolants may result in electrocution or shock.**

Kickback and Related Warnings

Kickback is a sudden reaction to a pinched or snagged rotating wheel, backing pad, brush or any other accessory. Pinching or snagging causes rapid stalling of the rotating accessory which in turn causes the uncontrolled power tool to be forced in the direction opposite of the accessory's rotation at the point of the binding.

For example, if an abrasive wheel is snagged or pinched by the workpiece, the edge of the wheel that is entering into the pinch point can dig into the surface of the material causing the wheel to climb out or kick out. The wheel may either jump toward or away from the operator, depending on direction of the wheel's movement at the point of pinching. Abrasive wheels may also break under these conditions. Kickback is the result of power tool misuse and/or incorrect operating procedures or conditions and can be avoided by taking proper precautions as given below.

- a) **Maintain a firm grip on the power tool and position your body and arm to allow you to resist kickback forces. Always use auxiliary handle, if provided, for maximum control over kickback or torque reaction during start-up. The operator can control torque reactions or kickback forces, if proper precautions are taken.**
- b) **Never place your hand near the rotating accessory. Accessory may kickback over your hand.**

- c) **Do not position your body in the area where power tool will move if kickback occurs.** *Kickback will propel the tool in direction opposite to the wheel's movement at the point of snagging.*
- d) **Use special care when working corners, sharp edges etc. Avoid bouncing and snagging the accessory.** *Corners, sharp edges or bouncing have a tendency to snag the rotating accessory and cause loss of control or kickback.*
- e) **Do not attach a saw chain woodcarving blade or toothed saw blade.** *Such blades create frequent kickback and loss of control.*

Safety Warnings Specific for Grinding and Abrasive Cutting-Off Operations:

- a) **Use only wheel types that are recommended for your power tool and the specific guard designed for the selected wheel.** *Wheels for which the power tool was not designed cannot be adequately guarded and are unsafe.*
- b) **The grinding surface of centre depressed wheels must be mounted below the plane of the guard lip.** *An improperly mounted wheel that projects through the plane of the guard lip cannot be adequately protected.*
- c) **The guard must be securely attached to the power tool and positioned for maximum safety, so the least amount of wheel is exposed towards the operator.** *The guard helps to protect the operator from broken wheel fragments, accidental contact with wheel and sparks that could ignite clothing.*
- d) **Wheels must be used only for recommended applications. For example: do not grind with the side of cut-off wheel.** *Abrasive cut-off wheels are intended for peripheral grinding, side forces applied to these wheels may cause them to shatter.*
- e) **Always use undamaged wheel flanges that are of correct size and shape for your selected wheel.** *Proper wheel flanges support the wheel thus reducing the possibility of wheel breakage. Flanges for cut-off wheels may be different from grinding wheel flanges.*
- f) **Do not use worn down wheels from larger power tools.** *Wheel intended for larger power tool is not suitable for the higher speed of a smaller tool and may burst.*

Additional Safety Warnings Specific for Abrasive Cutting-Off Operations:



Cut-off operations are only suitable with a special protection guard (not included)

- a) **Do not "jam" the cut-off wheel or apply excessive pressure. Do not attempt to make an excessive depth of cut.** *Overstressing the wheel increases the loading and susceptibility to twisting or binding of the wheel in the cut and the possibility of kickback or wheel breakage.*
- b) **Do not position your body in line with and behind the rotating wheel.** *When the wheel, at the point of operation, is moving away from your body, the possible kickback may propel the spinning wheel and the power tool directly at you.*
- c) **When wheel is binding or when interrupting a cut for any reason, switch off the power tool and hold the power tool motionless until the wheel comes to a complete stop. Never attempt to remove the cut-off wheel from the cut while the wheel is in motion otherwise kickback may occur.** *Investigate and take corrective action to eliminate the cause of wheel binding.*
- d) **Do not restart the cutting operation in the workpiece. Let the wheel reach full speed and carefully re-enter the cut.** *The wheel may bind, walk up or kickback if the power tool is restarted in the workpiece.*
- e) **Support panels or any oversized workpiece to minimize the risk of wheel pinching and kickback.** *Large workpieces tend to sag under their own weight. Supports must be placed under the workpiece near the line of cut and near the edge of the workpiece on both sides of the wheel.*
- f) **Use extra caution when making a "pocket cut" into existing walls or other blind areas.** *The protruding wheel may cut gas or water pipes, electrical wiring or objects that can cause kickback.*

Electrical safety

When using electric machines always observe the safety regulations applicable in your country to reduce the risk of fire, electric shock and personal injury. Read the following safety instructions and also the enclosed safety instructions.



Always check that the voltage of the power supply corresponds to the voltage on the rating plate label.



Class II machine - Double insulation - You don't need any earthed plug.

If operating a power tool in a damp location is unavoidable, use a residual current device (RCD) protected supply. Use of an RCD reduces the risk of electric shock.

2. MACHINE INFORMATION

Intended use

Your angle grinder has been designed for grinding masonry and steel materials without the use of water. For cutting, a special protection guard must be used (not included)

Technical specifications

Model No	AGM1110P	AGM1112P	AGM1114P
Mains voltage	220-240 V~		
Mains frequency	50/60 Hz		
Power input	710 W		
Rated speed	N ₀ 11.000/min		
Wheel disc for grinding			
Diameter	100 mm	115 mm	125 mm
Bore	16 mm	22 mm	22 mm
Spindle thread	M10	M14	M14
Weight	1.98 kg	2 kg	2.05 kg
Sound pressure (L _{PA})	86.4 + 3 dB(A)		
Acoustic power (L _{WA})	97.4 + 3 dB(A)		
Vibration "Surface grinding" a _{h,AG}	6.334 + 1.5 m/s ²		

Model No	AGM1111P	AGM1113P	AGM1115P
Mains voltage	220-240 V~		
Mains frequency	50/60 Hz		
Power input	850 W		
Rated speed	N ₀ 11.000/min		
Wheel disc for grinding			
Diameter	100 mm	115 mm	125 mm
Bore	16 mm	22 mm	22 mm
Spindle thread	M10	M14	M14
Weight	1.98 kg	2 kg	2.05 kg
Sound pressure (L _{PA})	86.4 + 3 dB(A)		
Acoustic power (L _{WA})	97.4 + 3 dB(A)		
Vibration "Surface grinding" a _{h,AG}	6.334 + 1.5 m/s ²		

Vibration level

The vibration emission level stated in this instruction manual has been measured in accordance with a standardised test given in EN 60745; it may be used to compare one tool with another and as a preliminary assessment of exposure to vibration when using the tool for the applications mentioned

- using the tool for different applications, or with different or poorly maintained accessories, may significantly increase the exposure level
- the times when the tool is switched off or when it is running but not actually doing the job, may significantly reduce the exposure level.

Protect yourself against the effects of vibration by maintaining the tool and its accessories, keeping your hands warm, and organizing your work patterns.

Description

The numbers in the text refer to the diagrams on pages 2-3

Fig. A

1. Spindle lock button
2. On/Off switch
3. Protection guard

Fig. B

8. Spindle
9. Mounting flange
10. Wheel disc (not included)

11. Clamping nut
12. Spanner
13. Side handle

Assembly



Before assembly, always switch off the machine and remove the mains plug from the mains.

Assembling the protection guard (Fig. A and B)

- Place the machine on a table with the spindle (8) facing upwards.
- Place the protection guard (3) over the machine head as shown in Figure B making sure the ridges on the protection guard fall into the notches of the machine head.
- Turn the protection guard counter clockwise and secure the guard by tightening the screw (14).



Never attempt to remove the guard.

Mounting and removing the wheel disc (Fig. B)

- Always use suitable wheel disc for this machine with diameter \varnothing 100 / 115 / 125 mm and a bore from 16 / 22 / 22 mm the thickness of the wheel disc should be 6 mm for wheel disc for grinding and 3 mm for wheel disc for cutting, the mounting wheel disc may not touch the safety guard.

Mounting

- Place the machine on a table with the protection guard (3) facing upwards.
- Mount the flange (9) onto the spindle (8).
- Place the wheel disc (10) onto the spindle (8).
- Keep the spindle lock button (1) pressed and firmly tighten the clamping nut (11) onto the spindle (8) by using the spanner (12).

Removing

- Place the machine on a table with the protection guard (3) facing upwards.
- Keep the spindle lock button (1) pressed and loosen the clamping nut (11) using the spanner (12).
- Remove the wheel disc (10) from the spindle (8).
- Keep the spindle lock button (1) pressed and firmly tighten the clamping nut (11) using the spanner (12).

3. OPERATING



Make sure that the work piece is properly supported or fixed and keep the supply cord routing away from the work area.

Switching on and off (Fig. A)

- To switch the machine on, press the On/off switch (2).
- To switch the machine off, release the On/off switch (2).

Hold the machine away from the work piece when turning it on and off because the wheel disc could damage the work piece.

- Clamp the work piece firmly or use another method to ensure that it cannot move while working.
- Check the discs regularly. Worn wheel discs have a negative effect on the machine's efficiency. Change to a new wheel disc in good time.
- Always first turn the machine off after use before removing the plug from the socket.

Deburring (Fig. C)

An angle of inclination of 30° to 40° will give the best results when deburring. Move the machine back and forth using light pressure. This will prevent the work piece from discolouring or becoming too hot and will avoid making groves.



Never use abrasive cutting discs for deburring work!

Cutting (Fig. D)

For cutting, a special protection guard must be used (not included).

Maintain firm contact with the work piece to prevent vibration and do not tilt or apply pressure and when cutting. Use moderate pressure when working, appropriate to the material that is being worked on. Do not slow down wheel discs by applying sideways counter pressure. The direction in which you want to cut is important. The machine must always work against the direction of the cut; so never move the machine in the other direction! There is the risk that the machine will catch in the cut causing kickback and that you will lose control.

Hints for optimum use

- Clamp the work piece. Use a clamping device for small work pieces.
- Hold the machine with both hands.
- Switch on the machine.
- Wait until the machine has reached full speed.
- Place the wheel disc on the work piece.
- Slowly move the machine along the work piece, firmly pressing the wheel disc against the work piece.
- Do not apply too much pressure on the machine. Let the machine do the work.
- Switch off the machine and wait for the machine to come to a complete standstill before putting the machine down.

4. MAINTENANCE

Mains plug replacement (UK only)

If the moulded 3-pin plug attached to the unit is damaged and needs replacing, it is important that it is correctly destroyed and replaced by an approved BS 1363/7A fused plug and that the following wiring instructions are followed. The wires in the mains cable are coloured in accordance with the following code:

- blue neutral
- brown live

As the colours of the wires in the mains cable of the unit may not correspond to the coloured markings identifying the terminals in the plug, proceed as follows:

- The wire which is coloured blue must be connected to the terminal which is marked with the letter N or coloured black.
- The wire which is coloured brown must be connected to the terminal which is marked with the letter L or coloured red.



Before cleaning and maintenance, always switch off the machine and remove the mains plug from the mains.

Clean the machine casings regularly with a soft cloth, preferably after each use. Make sure that the ventilation openings are free of dust and dirt. Remove very persistent dirt using a soft cloth moistened with soapsuds. Do not use any solvents such as gasoline, alcohol, ammonia,

etc. Chemicals such as these will damage the synthetic components.

Replace power cords

If the supply cord is damaged, it must be replaced by the manufacturer, its service agent or similarly qualified persons in order to avoid a hazard.

Checking and replacing the carbon brushes

If the carbon brushes are worn, the machine will start to run unevenly.

Carbon brush

If the carbon brushes are worn, the carbon brushes must be replaced by the customer service department of the manufacturer or a similarly qualified person.



Only use the correct original type of carbon brushes.

ENVIRONMENT



Faulty and/or discarded electrical or electronic apparatus have to be collected at the appropriate recycling locations.

Only for EC countries

Do not dispose of power tools into domestic waste. According to the European Guideline 2012/19/EC for Waste Electrical and Electronic Equipment and its implementation into national right, power tools that are no longer usable must be collected separately and disposed of in an environmentally friendly way.

WARRANTY

The warranty conditions can be found on the separately enclosed warranty card.

The product and the user manual are subject to change. Specifications can be changed without further notice.

Winkelschleifer

AGM1110P 710W 100mm

AGM1111P 850W 100mm

AGM1112P 710W 115mm

AGM1113P 850W 115mm

AGM1114P 710W 125mm

AGM1115P 850W 125mm

Vielen Dank für den Erwerb dieses Ferm Produkts. Sie haben sich für ein ausgezeichnetes Produkt von einem der führenden Hersteller Europas entschieden. Alle von Ferm gelieferten Produkte werden gemäß den höchsten Standards für Leistungsverhalten und Sicherheit gefertigt. Zu unserer Firmenphilosophie gehört es außerdem, Ihnen einen ausgezeichneten Kundendienst anzubieten, gedeckt von unserer umfassenden Garantie. Wir wünschen Ihnen viele Jahre Freude an diesem Produkt.

1. SICHERHEITSANWEISUNGEN



Lesen Sie die beiliegenden Sicherheitsanweisungen, die zusätzlichen Sicherheitsanweisungen sowie diese Bedienungsanleitung sorgfältig durch. Bei

Nichtbeachten der Sicherheitsanweisungen und der Bedienungsanleitung kann es zu einem Stromschlag, einem Brand und/oder schweren Verletzungen kommen. Bewahren Sie die Sicherheitsanweisungen und die Bedienungsanleitung zur künftigen Bezugnahme sicher auf.

Folgende Symbole werden im Benutzerhandbuch oder auf dem Produkt verwendet:



Benutzerhandbuch/Bedienungsanleitung lesen.



Lebens- und Verletzungsgefahr und Gefahr von Beschädigungen am Werkzeug/Gerät bei Nichteinhaltung der Anweisungen in dieser Bedienungsanleitung.



Gefahr eines Stromschlags.



Ziehen Sie sofort den Netzstecker aus der Steckdose, falls das Netzkabel beschädigt wird, sowie bei der Reinigung und Wartung.



Gefahr von herumfliegenden Gegenständen. Unbeteiligte vom Arbeitsbereich fernhalten.



Immer Augenschutz tragen! Gehörschutz tragen.



Schutzhandschuhe tragen.



Nicht auf den Spindelarretierungsknopf drücken, während der Motor läuft.



Brandgefahr.



Produkt vorschriftsmäßig entsorgen, nicht über den Hausmüll



Das Produkt entspricht den geltenden Sicherheitsnormen der europäischen Richtlinien.

Gemeinsame Sicherheitshinweise für das Schleifen und abrasive Trennen:

- Dieses Elektrowerkzeug ist als Schleifwerkzeug vorgesehen. Lesen Sie alle Sicherheitshinweise, Anweisungen, Abbildungen und technischen Daten, die mit diesem Elektrowerkzeug geliefert werden. Das Nichtbeachten einer der im Folgenden aufgeführten Sicherheitsanweisungen kann zu Stromschlag, Feuer und/oder schweren Verletzungen führen.**
- Die Durchführung von Arbeiten wie Schmirgeln, Drahtbürsten oder Polieren mit diesem Elektrowerkzeug wird nicht empfohlen. Arbeiten, für die das Elektrowerkzeug nicht konzipiert ist, können unter Umständen zu Gefahrensituationen und Verletzungen führen.**
- Verwenden Sie kein Zubehör, das nicht speziell vom Hersteller entwickelt und empfohlen wurde. Auch wenn ein Zubehörteil auf das Elektrowerkzeug passt, gewährleistet dies keinen sicheren Betrieb.**

- d) **Die Nenndrehzahl des Zubehörteils muss mindestens der auf dem Elektrowerkzeug angegebenen Maximaldrehzahl entsprechen.** *Zubehörteile, die mit mehr als Ihrer Nenndrehzahl laufen, können brechen und zerspringen.*
- e) **Der Außendurchmesser und die Dicke Ihres Zubehörteils müssen innerhalb der Nennwerte Ihres Elektrowerkzeugs liegen.** *Nicht passende Zubehörteile können nicht ordnungsgemäß gesichert oder kontrolliert werden.*
- f) **Einsatzwerkzeuge mit Gewindeeinsatz müssen genau auf das Gewinde der Schleifspindel passen.** Bei Einsatzwerkzeugen, die mittels Flansch montiert werden, muss der Lochdurchmesser des Einsatzwerkzeuges zum Aufnahmedurchmesser des Flansches passen. *Einsatzwerkzeuge, die nicht genau am Elektrowerkzeug befestigt werden, drehen sich ungleichmäßig, vibrieren sehr stark und können zum Verlust der Kontrolle führen.*
- g) **Verwenden Sie keine beschädigten Zubehörteile.** Prüfen Sie vor jeder Verwendung das Zubehör wie Schleifscheiben auf Absplitterungen und Risse, die Stützteller auf Risse, Sprünge oder übermäßigen Verschleiß und die Drahtbürsten auf lose oder rissige Drähte. Wenn das Elektrowerkzeug oder Zubehör fallen gelassen wird, ist es auf Schäden zu prüfen oder ein unbeschädigtes Zubehörteil zu installieren. Halten Sie sich und Unbeteiligte nach der Überprüfung und Montage eines Zubehörteils von der Rotationsebene des Zubehörs fern und lassen Sie das Elektrowerkzeug eine Minute lang bei maximaler Leerlaufdrehzahl laufen. *Während dieses Prüfzeitraums brechen beschädigte Zubehörteile in der Regel auseinander.*
- h) **Tragen Sie persönliche Schutzausrüstung.** Verwenden Sie je nach Anwendung einen Gesichtsschutz, eine Schutzbrille oder eine Sicherheitsbrille. Tragen Sie nach Bedarf eine Staubmaske, Gehörschutz, Handschuhe und eine Werkstattschürze zum Schutz vor kleinen Abrieb- oder Werkstückteilen. Der Augenschutz muss die bei verschiedenen Arbeiten entstehenden fliegenden Trümmerteile abhalten können. Die Staubmaske oder das Atemschutzgerät muss bei der Arbeit entstehende Partikel filtern können. Lang anhaltende Lärmbelastung kann zu Hörverlust führen.
- i) **Halten Sie Unbeteiligte in sicherem Abstand zum Arbeitsbereich.** Personen, die den Arbeitsbereich betreten, müssen persönliche Schutzkleidung tragen. *Werkstückteile oder Teile von beschädigtem Zubehör können sich unter Umständen lösen und auch außerhalb des unmittelbaren Betriebsbereichs zu Verletzungen führen.*
- j) **Halten Sie das Elektrowerkzeug ausschließlich an den isolierten Griffflächen, wenn Sie Arbeiten durchführen, bei denen das Schneidwerkzeug in Kontakt mit verborgenen Elektroleitungen oder dem eigenen Netzkabel kommen kann.** *Bei Kontakt des Schneidwerkzeugs mit einem stromführenden Kabel wird der Strom an die Metallteile des Elektrowerkzeugs und dadurch an den Bediener weitergeleitet, und der Bediener erleidet einen Stromschlag.*
- k) **Halten Sie das Kabel von drehenden Zubehörteilen fern.** Wenn Sie die Kontrolle über das Gerät verlieren, kann das Netzkabel zerschnitten werden oder sich verheddern, und Ihre Hand oder Ihr Arm können in drehende Zubehörteile gezogen werden.
- l) **Legen Sie das Elektrowerkzeug niemals ab, bevor das Zubehör vollständig zum Stillstand gekommen ist.** *Die drehenden Zubehörteile können auf der Oberfläche festhängen und das Elektrowerkzeug aus Ihrer Hand reißen.*
- m) **Verwenden Sie das Gerät nicht, während Sie es an Ihrer Seite tragen.** *Durch unbeabsichtigten Kontakt mit drehenden Zubehörteilen könnten Ihre Kleidung eingeklemmt und das Zubehör zu Ihrem Körper hin gezogen werden.*
- n) **Reinigen Sie die Lüftungsschlitze des Elektrowerkzeugs regelmäßig.** *Der Lüfter des Motors zieht Staub ins Gehäuse hinein, und die übermäßige Ansammlung von Metallstaub kann zu elektrischen Gefahren führen.*
- o) **Arbeiten Sie mit dem Werkzeug nicht in der Nähe von entzündlichen Stoffen.** *Diese Stoffe könnten sich durch Funkenbildung entzünden.*
- p) **Verwenden Sie kein Zubehör, bei dem flüssige Kühlmittel erforderlich sind.** *Die Verwendung von Wasser oder anderen flüssigen Kühlmitteln kann zu Stromschlägen führen.*

Warnungen in Verbindung mit Rückschlag

Ein Rückschlag ist eine plötzliche Reaktion darauf, wenn eine drehende Scheibe, ein Stützteller, eine Bürste oder ein anderes Zubehörteil eingeklemmt wird oder sich verheddert. Das Einklemmen oder Verheddern führt zu einem plötzlichen Anhalten des drehenden Zubehörs, was wiederum dazu führt, dass das Elektrowerkzeug sich unkontrolliert entgegen der Drehrichtung zum Zeitpunkt des Festklemmens bewegt.

Wenn beispielsweise eine Schleifscheibe im Werkstück eingeklemmt wird oder sich verheddert, kann sich die Kante der Scheibe, die in die eingeklemmte Stelle eindringt, in die Oberfläche des Materials graben, wodurch die Schleifscheibe aus dem Schnitt „herausklettert“. Die Scheibe kann dann entweder auf den Bediener zu oder von diesem weg schnellen, je nach Drehrichtung der Scheibe zum Zeitpunkt des Festklemmens. Auch ein Brechen der Schleifscheibe ist unter diesen Umständen möglich. Ein Rückschlag ist das Ergebnis einer unsachgemäßen Bedienung des Elektrowerkzeugs und/oder von nicht ordnungsgemäßen Bedienungsabläufen oder -bedingungen und lässt sich durch Ergreifen der richtigen Vorsichtsmaßnahmen wie im Folgenden angeben vermeiden.

- a) **Halten Sie das Elektrowerkzeug gut fest und halten Sie Ihren Körper und Arm so, dass Sie Rückschlagkräften widerstehen können. Verwenden Sie immer einen Zusatzhandgriff, falls vorhanden, um bei einem Rückschlag oder bei einem Gegendrehmoment während des Startens maximale Kontrolle über das Elektrowerkzeug zu behalten. Mit den richtigen Vorsichtsmaßnahmen kann der Bediener auch bei einem Rückschlag oder bei einem Gegendrehmoment während des Startens die Kontrolle über das Gerät behalten.**
- b) **Halten Sie unbedingt Ihre Hände von den drehenden Zubehörteilen fern. Gefahr eines Rückschlags über Ihre Hand.**
- c) **Halten Sie Ihren Körper aus dem Bereich fern, in den sich das Elektrowerkzeug bei einem Rückschlag bewegt. Bei einem Rückschlag wird das Elektrowerkzeug in die entgegengesetzte Richtung zur Scheibenbewegung zum Schleifzeitpunkt getrieben.**

- d) **Gehen Sie bei der Bearbeitung von Ecken, scharfen Kanten usw. mit besonderer Vorsicht vor. Vermeiden Sie Sprünge und das Einklemmen des Zubehörs. Bei Ecken, scharfen Kanten oder Sprüngen kann das drehende Zubehör leicht fest klemmen, was zu einem Verlust der Kontrolle oder einem Rückschlag führen kann.**
- e) **Verwenden Sie keine Holzklängen für Sägeketten oder Sägeblätter. Solche Klängen führen zu häufigen Rückschlägen und Verlusten der Kontrolle über das Elektrowerkzeug.**

Besondere Sicherheitshinweise für das Schleifen und abrasive Trennen:

- a) **Verwenden Sie nur die für Ihr Elektrowerkzeug empfohlenen Schleifscheiben sowie die für die ausgewählten Schleifscheiben speziell konzipierten Schutzvorrichtungen. Scheiben, für die das Elektrowerkzeug nicht vorgesehen ist, können nicht ordnungsgemäß gesichert werden und sind daher unsicher.**
- b) **Gekröpfte Schleifscheiben müssen so montiert werden, dass ihre Schleiffläche nicht über der Ebene des Schutzhaubenrandes hervorsteht. Eine unsachgemäß montierte Schleifscheibe, die über die Ebene des Schutzhaubenrandes hinausragt, kann nicht ausreichend abgeschirmt werde.**
- c) **Die Schutzvorrichtung muss sicher am Elektrowerkzeug befestigt und für maximale Sicherheit so positioniert werden, dass nur der geringste Teil der Scheibe dem Bediener zugänglich ist. Die Schutzvorrichtung dient zum Schutz des Bedieners vor abgebrochenen Scheibenstücken, vor unbeabsichtigtem Kontakt mit der Scheibe und vor Funken, die zu einem Entzünden der Kleidung führen könnten.**
- d) **Die Schleifscheiben dürfen nur für die empfohlenen Anwendungszwecke verwendet werden. Beispiel: Führen Sie keine Schleifarbeiten mit der Seite einer Trennscheibe durch. Abrasive Trennscheiben sind für das Umfangsschleifen vorgesehen und können durch aufgebrachte Seitenkräfte brechen.**
- e) **Verwenden Sie immer unbeschädigte Scheibenflansche in der richtigen Größe**

und Form für die gewählte Scheibe.

Scheibenflansche in der richtigen Größe stützen die Scheibe und verringern so die Bruchgefahr. Flansche für Trennscheiben können sich von Flanschen für Schleifscheiben unterscheiden.

- f) **Verwenden Sie keine abgenutzten Scheiben aus größeren Elektrowerkzeugen.** Für größere Elektrowerkzeuge konstruierte Scheiben sind nicht für die höheren Drehzahlen eines kleineren Werkzeugs geeignet und können zerspringen.

Zusätzliche besondere Sicherheitshinweise für das abrasive Trennen:



Trennarbeiten dürfen nur mit einer besonderen Schutzvorrichtung durchgeführt werden (nicht inbegriffen).

- a) **Blockieren Sie die Trennscheibe nicht und üben Sie keinen übermäßigen Druck aus. Versuchen sie nicht, eine übermäßige Schnitttiefe zu erreichen.** Eine Überlastung der Scheiben führt zu einer höheren Last und einer höheren Anfälligkeit für das Verdrehen und Festsetzen der Scheibe im Schnitt sowie zur Gefahr eines Rückschlags oder Bruchgefahr.
- b) **Bringen Sie Ihren Körper nicht hinter oder neben die drehende Scheibe.** Wenn die Scheibe sich während des Arbeitens von Ihrem Körper entfernt, kann ein möglicher Rückschlag die drehende Scheibe und das Elektrowerkzeug direkt in Ihre Richtung treiben.
- c) **Wenn die Scheibe fest sitzt oder das Trennen aus einem beliebigen Grund unterbrochen werden muss, schalten Sie das Elektrowerkzeug aus und halten Sie es bewegungslos, bis die Scheibe vollständig zum Stillstand gekommen ist. Versuchen Sie niemals, die Trennscheibe aus dem Werkstück zu entfernen, während sie noch in Bewegung ist. Dies könnte zu einem Rückschlag führen.** Untersuchen Sie die Ursache des Festsitzens und treffen Sie entsprechende Gegenmaßnahmen.
- d) **Nehmen Sie den Schneidvorgang außerhalb des Werkstücks wieder auf. Lassen Sie die Scheibe erst die volle Drehzahl erreichen und schneiden Sie dann vorsichtig weiter.** Die Scheibe kann festsitzen, hinaufsteigen oder einen Rückschlag verursachen, wenn

der Schneidvorgang im Werkstück wieder aufgenommen wird.

- e) **Stützen Sie Platten oder übergroße Werkstücke ab, um die Gefahr eines Festklemmens der Scheibe oder eines Rückschlags zu verringern.** Große Werkstücke sacken häufig durch ihr Eigengewicht ein. Die Stützen müssen auf beiden Seiten der Scheibe in der Nähe der Schnittlinie und in der Nähe der Kante unter dem Werkstück platziert werden.
- f) **Seien Sie bei kleinformatigen Schnitten in bestehenden Wänden oder anderen Blindflächen besonders vorsichtig.** Die herausragende Scheibe kann Gas- oder Wasserleitungen, elektrische Kabel oder Gegenstände anschneiden, die zu einem Rückschlag führen können.

Sicherheit bei Elektrizität

Beachten Sie bei der Arbeit mit elektrischen Werkzeugen/Geräten stets die in Ihrem Land geltenden Sicherheitsvorschriften, um Personenschäden, Stromschläge und Brände zu vermeiden. Lesen Sie die folgenden Sicherheitshinweise sowie die beiliegenden Sicherheitshinweise sorgfältig durch.



Stellen Sie immer sicher, dass die Spannung der Stromversorgung der Nennspannung auf dem Typenschild des Werkzeugs/Geräts entspricht.



Werkzeug/Gerät der Schutzklasse II - schutzisoliert - kein Schutzkontaktanschluss erforderlich

Wenn sich Arbeiten mit einem Elektrowerkzeug in feuchten Umgebungen nicht vermeiden lassen, verwenden Sie eine Stromversorgung mit einer Fehlerstrom-Schutzeinrichtung (RCD). Durch die Verwendung einer RCD wird die Gefahr eines elektrischen Schlags verringert.

2. ANGABEN ZUM WERKZEUG

Verwendungszweck

Ihr Winkelschleifer wurde zum Schleifen von Mauerwerk und Stahl ohne Verwendung von Wasser konstruiert. Zum Trennen muss eine besondere Schutzvorrichtung verwendet werden (nicht inbegriffen).

Technische Daten

Modellnummer	AGM1110P	AGM1112P	AGM1114P
Netzspannung	220-240 V~		
Netzfrequenz	50/60 Hz		
Leistungsaufnahme	710 W		
Nenn Drehzahl	N ₀ 11.000/min		

Radschleifscheibe

	100 mm	115 mm	125 mm
Durchmesser	100 mm	115 mm	125 mm
Bohrung	16 mm	22 mm	22 mm
Spindelgewinde	M10	M14	M14
Gewicht	1.98 kg	2 kg	2.05 kg
Schalldruck (L _{PA})	86.4 + 3 dB(A)		
Schalleistung (L _{WA})	97.4 + 3 dB(A)		
Vibrationen „Flachscheifen“ a _{h,AG}	6.334 + 1.5 m/s ²		

Modellnummer	AGM1111P	AGM1113P	AGM1115P
Netzspannung	220-240 V~		
Netzfrequenz	50/60 Hz		
Leistungsaufnahme	850 W		
Nenn Drehzahl	N ₀ 11.000/min		

Radschleifscheibe

	100 mm	115 mm	125 mm
Durchmesser	100 mm	115 mm	125 mm
Bohrung	16 mm	22 mm	22 mm
Spindelgewinde	M10	M14	M14
Gewicht	1.98 kg	2 kg	2.05 kg
Schalldruck (L _{PA})	86.4 + 3 dB(A)		
Schalleistung (L _{WA})	97.4 + 3 dB(A)		
Vibrationen „Flachscheifen“ a _{h,AG}	6.334 + 1.5 m/s ²		

Vibrationsintensität

Die in dieser Bedienungsanleitung angegebene Vibrationsemissionsstufe wurde mit einem standardisierten Test gemäß EN 60745 gemessen; sie kann verwendet werden, um ein Werkzeug mit einem anderen zu vergleichen und die Vibrationsbelastung bei Verwendung des Werkzeugs für die angegebenen Anwendungszwecke vorläufig zu beurteilen.

- Die Verwendung des Werkzeugs für andere Anwendungen oder mit anderem oder schlecht gewartetem Zubehör kann die Belastung erheblich erhöhen.
- Zeiten, zu denen das Werkzeug ausgeschaltet ist, oder wenn es läuft, aber nicht eingesetzt wird, können die Belastung erheblich verringern.

Schützen Sie sich vor den Auswirkungen der Vibration durch Wartung des Werkzeugs und des Zubehörs, halten Sie Ihre Hände warm, und organisieren Sie Ihren Arbeitsablauf.

Beschreibung

Die Ziffern im nachstehenden Text verweisen auf die Abbildungen auf Seite 2-3.

Abb. A

1. Spindelarretierungsknopf
2. Ein-/Ausschalter
3. Schutzvorrichtung

Abb. B

8. Spindel
9. Montageflansch
10. Radschleifscheibe (nicht inbegriffen)
11. Spannmutter
12. Schraubenschlüssel
13. Seitengriff

Montage



Schalten Sie das Gerät vor der Montage aus, und ziehen Sie den Netzstecker aus der Steckdose.

Montage der Schutzvorrichtung (Abb. A und B)

- Legen Sie das Gerät mit der Spindel (8) nach oben weisend auf einen Tisch.
- Positionieren Sie die Schutzvorrichtung (3) wie in Abbildung B dargestellt über den oberen Teil des Geräts. Stellen Sie dabei sicher,

dass die Rillen der Schutzvorrichtung in die Einkerbungen des Geräts passen.

- Drehen Sie die Schutzvorrichtung gegen den Uhrzeigersinn,



Verwenden Sie das Gerät niemals ohne Schutzvorrichtung.

Anbringen und Entfernen der Schleifscheibe (Abb. B)

- Verwenden Sie stets die passenden Scheiben für dieses Gerät mit einem Durchmesser von Ø100mm / Ø115mm / Ø125mm sowie einer Bohrung von 16 / 22 / 22 mm. Die Scheibendicke sollte bei einer Schleifscheibe 6 mm betragen und bei einer Trennscheibe 3 mm. Nach dem Einbau darf die Scheibe nicht die Schutzvorrichtung berühren.

Einbau

- Legen Sie das Gerät mit der Schutzvorrichtung (3) nach oben weisend auf einen Tisch.
- Bringen Sie den Flansch (9) auf der Spindel (8) an.
- Platzieren Sie die Radschleifscheibe (10) auf der Spindel (8).
- Halten Sie den Spindelarretierungsknopf (1) gedrückt, und ziehen Sie die Spannmutter (11) mit dem Schraubenschlüssel (12) fest auf der Spindel (8) an.

Ausbau

- Legen Sie das Gerät mit der Schutzvorrichtung (3) nach oben weisend auf einen Tisch.
- Halten Sie den Spindelarretierungsknopf (1) gedrückt, und lösen Sie die Spannmutter (11) mit dem Schraubenschlüssel (12).
- Entfernen Sie die Radschleifscheibe (10) von der Spindel (8).
- Halten Sie den Spindelarretierungsknopf (1) gedrückt und ziehen Sie die Spannmutter (11) mit dem Schraubenschlüssel (12) fest.

3. BETRIEB



Beachten Sie, dass das Werkstück gut gesichert oder befestigt ist und halten Sie den Netzkabel fern vom Arbeitsplatz.

Ein- und Ausschalten (Abb. A)

- Halten Sie zum Einschalten des Geräts drücken Sie auf den Ein-/Aus-Schalter (2).
- Lassen Sie zum Ausschalten des Geräts den Ein-/Aus-Schalter (2) los.

Halten Sie das Gerät beim Ein- und Ausschalten vom Werkstück fern, da die Radschleifscheibe andernfalls das Werkstück beschädigen könnte.

- Spannen Sie das Werkstück ein, oder sichern Sie es bei der Arbeit anderweitig.
- Überprüfen Sie regelmäßig die Scheiben. Abgenutzte Schleifscheiben können die Leistung des Geräts beeinträchtigen. Tauschen Sie die Schleifscheiben rechtzeitig gegen neue aus.
- Schalten Sie das Gerät nach der Verwendung immer zuerst aus, bevor Sie den Netzstecker aus der Steckdose ziehen.

Entgraten (Abb. C)

Beim Entgraten lassen sich mit einem Neigungswinkel von 30° bis 40° die besten Ergebnisse erzielen. Bewegen Sie das Gerät unter leichtem Druck vor und zurück. Dies verhindert ein Verfärben oder Überhitzen des Werkstücks sowie die Bildung von Riefen.



Verwenden Sie zum Entgraten niemals abrasive Schleifscheiben!

Trennen (Abb. D)

Zum Trennen muss eine besondere, geschlossene Schutzvorrichtung verwendet werden (nicht inbegriffen).

Halten Sie festen Kontakt zum Werkstück, um Vibrationen zu vermeiden, neigen Sie das Gerät beim Trennen nicht, und üben sie keinen übermäßigen Druck aus. Üben Sie beim Arbeiten nur mäßigen Druck aus, der dem bearbeiteten Werkstoff angemessen ist. Verlangsamten Sie die Schleifscheiben nicht durch Gegendruck von der Seite. Die Richtung, in der Sie schneiden möchten, ist wichtig. Das Gerät muss immer entgegen der Schnittrichtung arbeiten. Bewegen Sie also niemals das Gerät in die andere Richtung! Es besteht die Gefahr, dass das Gerät beim Trennen festklemmt, was einen Rückschlag verursacht, sodass Sie die Kontrolle über das Gerät verlieren.

Ratschläge für optimale Arbeitsergebnisse

- Spannen Sie das Werkstück ein.
Verwenden Sie für kleine Werkstücke eine Spannvorrichtung.
- Halten Sie das Gerät mit beiden Händen fest.
- Schalten Sie das Gerät ein.
- Warten Sie, bis das Gerät seine Höchstdrehzahl erreicht hat.
- Setzen Sie die Schleifscheibe auf das Werkstück.
- Bewegen Sie das Gerät langsam am Werkstück entlang, wobei Sie die Schleifscheibe fest gegen das Werkstück drücken.
- Üben Sie nicht zu viel Druck auf das Gerät aus. Lassen Sie das Gerät die Arbeit verrichten.
- Schalten Sie das Gerät aus, und warten Sie vor dem Ablegen, bis es vollkommen zum Stillstand gekommen ist.

4. WARTUNG

Austausch des Netzsteckers (nur Großbritannien)

Wenn der angespritzte 3-polige Stecker des Geräts beschädigt ist und ausgetauscht werden muss, ist es wichtig, dass er korrekt zerlegt und durch einen zugelassenen gesicherten Stecker des Typs BS 1363/7A ausgetauscht wird, wobei die folgenden Verkabelungsanweisungen einzuhalten sind. Die Adern des Netzkabels weisen die folgende Farbcodierung auf:

- Blau neutral
- Braun spannungsführend

Da die Farben der Adern im Netzkabel des Geräts unter Umständen nicht den Farbmarkierungen der Klemmen des Steckers entsprechen, gehen Sie wie folgt vor:

- Die blaue Ader muss mit der Klemme verbunden werden, die mit dem Buchstaben N gekennzeichnet oder schwarz ist.
- Die braune Ader muss mit der Klemme verbunden werden, die mit dem Buchstaben L gekennzeichnet oder rot ist.



Schalten Sie das Gerät vor der Reinigung und Wartung immer aus, und ziehen Sie den Netzstecker aus der Steckdose.

Reinigen Sie das Werkzeuggehäuse regelmäßig mit einem weichen Lappen, vorzugsweise

nach jeder Verwendung. Stellen Sie sicher, dass die Lüftungsöffnungen frei von Staub und Schmutz sind. Entfernen Sie anhaftenden Schmutz mit einem weichen Lappen, der leicht mit Seifenwasser befeuchtet wurde. Verwenden Sie keine Lösungsmittel wie Benzin, Alkohol, Ammoniak usw., da Chemikalien dieser Art die Kunststoffteile beschädigen.

Austausch der Netzkabel

Beschädigte Netzkabel müssen durch den Hersteller, dessen Kundendienst oder ähnlich qualifizierte Fachleute ausgetauscht werden, um Gefahrensituationen zu vermeiden.

Überprüfen und Erneuern der Kohlebürsten

Abgenutzte Kohlebürsten müssen von der Kundendienstabteilung des Herstellers oder einer entsprechend qualifizierten Person ausgetauscht werden.



Verwenden Sie nur Original-Kohlebürsten des richtigen Typs.

UMWELTSCHUTZ



Schadhafte und/oder zu entsorgende elektrische oder elektronische Werkzeuge und Geräte müssen an den dafür vorgesehenen Recycling-Stellen abgegeben werden.

Nur für EG-Länder

Entsorgen Sie Elektrowerkzeuge nicht über den Hausmüll. Entsprechend der EU-Richtlinie 2012/19/EU über Elektro- und Elektronik-Altgeräte sowie der Umsetzung in nationales Recht müssen Elektrowerkzeuge, die nicht mehr im Gebrauch sind, getrennt gesammelt und umweltschonend entsorgt werden.

GARANTIE

Die Garantiebedingungen sind der separat beiliegenden Garantiekarte zu entnehmen.

Am Produkt und am Benutzerhandbuch können Änderungen vorgenommen werden. Die technischen Daten können sich ohne Vorankündigung ändern.

HAakse Slijper

AGM1110P 710W 100mm

AGM1111P 850W 100mm

AGM1112P 710W 115mm

AGM1113P 850W 115mm

AGM1114P 710W 125mm

AGM1115P 850W 125mm

Dank u voor het aanschaffen van dit Ferm product. Hierdoor bent u nu in het bezit van een uitstekend product, geleverd door een van de toonaangevende leveranciers van Europa. Alle door Ferm aan u geleverde producten zijn vervaardigd conform de hoogste prestatie- en veiligheidsnormen. Deel van onze filosofie is de uitstekende klantenservice die wordt ondersteund door onze uitgebreide garantie. Wij hopen dat u dit product vele jaren met plezier zult gebruiken.

1. VEILIGHEIDSVOORSCHRIFTEN

**Lees de bijgesloten veiligheids-
waarschuwingen, de aanvullende
veiligheidswaarschuwingen en de
instructies.** Het niet opvolgen van de veiligheids-
waarschuwingen kan elektrische schokken, brand
en/of ernstig letsel tot gevolg hebben. **Bewaar de
veiligheidswaarschuwingen en instructies als
naslagwerk voor later.**

De volgende symbolen worden gebruikt in de
gebruikershandleiding of op het product:



Lees de gebruikershandleiding.



**Gevaar voor lichamelijk letsel, overlijden
of schade aan de machine wanneer de
instructies in deze handleiding niet
worden opgevolgd.**



Gevaar voor elektrische schokken



**Verwijder onmiddellijk de netstekker uit
het stopcontact indien het netsnoer
beschadigd raakt en tijdens reiniging en
onderhoud.**



**Gevaar voor rondvliegende voorwerpen.
Houd omstanders uit de buurt van het
werkgebied.**



**Draag altijd een veiligheidsbril!
Draag gehoorbescherming.**



Draag veiligheidshandschoenen.



**Druk de asvergrendelingsknop niet in
terwijl de motor draait.**



Brandgevaar.



**Werp het product niet weg in
ongeschikte containers.**



**Het product is in overeenstemming met
de van toepassing zijnde veiligheids-
normen in de Europese richtlijnen.**

Veiligheidswaarschuwingen die geldt voor zowel slijpwerkzaam- heden als doorslijpwerkzaamheden:

- Deze powertool is bedoeld als een
slijpmachine. Raadpleeg alle bijgeleverde
veiligheidswaarschuwingen, instructies,
illustraties en specificaties. Als niet alle
instructies hieronder worden nageleefd, kan
dat een elektrische schok, brand en/of ernstig
letsel tot gevolg hebben.**
- Deze powertool is niet geschikt
voor werkzaamheden als schuren,
staalborstelen en polijsten. Als met deze
powertool werkzaamheden worden uitgevoerd
waarvoor de machine niet bedoeld is, kan dat
leiden tot gevaren en lichamelijk letsel.**
- Gebruik geen accessoires die niet specifiek
zijn ontworpen en aanbevolen door de
fabrikant. Het feit dat dergelijke accessoires
op de powertool passen, wil niet zeggen dat
een veilige werking dan gegarandeerd is.**
- Het nominale toerental van het accessoire
moet ten minste gelijk zijn aan het
maximale toerental dat op de powertool
staat vermeld. Accessoires die sneller worden
aangedreven dan hun nominale toerental
toestaat, kunnen breken en in het rond vliegen.**
- De buitendiameter en dikte van uw
accessoire moeten binnen de nominale
capaciteit van uw powertool vallen.**

- Accessoires van een onjuiste grootte kunnen niet voldoende worden beschermd of geregeld.*
- f) **Inzetgereedschappen met schroefdraadinzetstuk moeten nauwkeurig op de schroefdraad van de uitgaande as passen. De gatdiameter van met een flens gemonteerde inzetgereedschappen moet passen bij de opnamediameter van de flens.** Inzetgereedschappen die niet nauwkeurig op het elektrische gereedschap bevestigd worden, draaien ongelijkmatig, trillen sterk en kunnen tot verlies van de controle leiden.
- g) **Gebruik geen beschadigde accessoires. Controleer vóór elk gebruik accessoires zoals slijpschijven op afbrokkelingen en scheuren, steunschijven op scheuren, inkepingen en overmatige slijtage, staalborstels op losse of gescheurde draden. Als de powertool of het accessoire valt, inspecteer deze dan op schade of monteer een onbeschadigd accessoire. Nadat u het accessoire hebt geïnspecteerd en gemonteerd, moet u uzelf en omstanders uit de lijn van het roterende accessoire plaatsen en de powertool gedurende één minuut onbelast met een maximaal toerental laten draaien.** *Beschadigde accessoires zullen normaliter breken tijdens deze testduur.*
- h) **Draag persoonlijke beschermingsmiddelen. Gebruik, afhankelijk van de toepassing, een gelaatscherm of veiligheidsbril. Draag al naargelang de omstandigheden een stofmasker, gehoorbescherming, handschoenen en een werkplaatsschort dat alle kleine slijp- en werkstukfragmenten kan tegenhouden.** *De oogbescherming moet bescherming kunnen bieden tegen rondvliegende rommel die door diverse werkzaamheden ontstaat. Het stofmasker of ademtoestel moet in staat om deeltjes te filtreren die ontstaan door uw werkzaamheden. Langdurige blootstelling aan hard geluid kan uw gehoor beschadigen.*
- i) **Houd omstanders op veilige afstand van het werkgebied. Iedereen die het werkgebied betreedt, moet persoonlijke beschermingsmiddelen dragen.** *Fragmenten van een werkstuk of een gebroken accessoire kunnen uit het werkgebied wegvliegen en letsel veroorzaken.*
- j) **Houd de powertool alleen vast aan de geïsoleerde handgrepen, omdat het snijhulpstuk in contact kan komen met niet zichtbare bedrading of met het netsnoer van de machine.** *Wanneer het snijhulpstuk een onder spanning staande kabel raakt, kunnen de metalen delen van de machine onder spanning komen te staan, waardoor de gebruiker een elektrische schok kan krijgen.*
- k) **Houd het netsnoer uit de buurt van het draaiende accessoire. Als u de controle verliest, wordt het snoer mogelijk doorgesneden of scheurt het, of raakt het verstrikt en kan uw hand of arm in het draaiende accessoire worden getrokken.**
- l) **Leg de powertool nooit neer voordat het accessoire volledig tot stilstand is gekomen. Als u dit nalaat, kan het draaiende accessoire het oppervlak aangrijpen waardoor u de controle verliest over de powertool.**
- m) **Laat de powertool niet ingeschakeld terwijl u deze aan uw zijde draagt. Als u per ongeluk contact maakt met het draaiende accessoire, kan het verstrikt raken in uw kleding, waardoor het accessoire in uw lichaam wordt getrokken.**
- n) **Reinig de luchtgaten van de powertool regelmatig.** *De ventilator van de motor trekt de stof tot in de behuizing en bovenmatige opeenhoping van metaalpoeder kan elektrische gevaren veroorzaken.*
- o) **Gebruik de powertool niet in de buurt van ontvlambare materialen. Vonken kunnen deze materialen doen ontbranden.**
- p) **Gebruik geen accessoires die koelvloeistoffen vereisen. Gebruik van water of andere koelvloeistoffen kan leiden tot elektrocutie of schokken.**

Terugslag en hieraan gerelateerde waarschuwingen

Terugslag is een plotselinge reactie op een vastgelopen of vastgeklemd draaiende schijf, steunschijf, borstel of ander accessoire. Als het accessoire vastloopt of vastgeklemd raakt, komt het accessoire plots tot stilstand, wat op zijn beurt tot gevolg heeft dat de powertool in de richting wordt geforceerd die tegengesteld is aan de rotatie van het accessoire op het contactpunt. Als een slijpschijf bijvoorbeeld in het werkstuk vastloopt of vastgeklemd raakt, kan de rand van de

schijf die in het knelpunt vastraakt, zich ingraven in het oppervlak van het materiaal waardoor de schijf naar buiten klimt of springt. De schijf kan dan in de richting van de gebruiker of weg van de gebruiker springen, afhankelijk van de richting van de schijfbeweging op het knelpunt. Slijpschijven kunnen onder deze omstandigheden ook afbreken. Terugslag ontstaat door onjuist gebruik van de power tool en/of onjuiste gebruiksprocedures/-omstandigheden en kan worden vermeden door de voorzorgsmaatregelen hieronder te nemen.

- a) **Houd de machine stevig vast en plaats uw lichaam zodanig dat u de krachten die ontstaan bij terugslag kunt weerstaan. Gebruik altijd de hulpgreep, indien aanwezig, om maximale controle te houden over terugslag of koppelreactie bij opstarten.** *De gebruiker kan koppelreacties of terugslagkrachten onder controle houden met de juiste voorzorgsmaatregelen.*
- b) **Plaats uw hand nooit in de buurt van het draaiende accessoire.** *Het accessoire kan terugslaan over uw hand.*
- c) **Plaats uw lichaam niet in het gebied waarin de power tool zal bewegen als er terugslag optreedt.** *Bij terugslag zal de tool draaiend terugspringen in de richting die tegengesteld is aan de beweging van de schijf op het knelpunt.*
- d) **Wees uiterst voorzichtig bij het gebruik van de machine bij hoeken, scherpe randen, etc. Voorkom dat de machine stuitert of vastgeklemd raakt.** *Hoeken, scherpe randen of een terugspringende machine kunnen tot gevolg hebben dat het draaiende accessoire vastloopt waardoor u de controle verliest of er terugslag optreedt.*
- e) **Bevestig geen houtbewerkingsbladen voor zaagkettingen of getande zaagbladen.** *Dergelijke bladen veroorzaken vaak terugslag en verlies van controle over de machine.*

Veiligheidswaarschuwingen die specifiek gelden voor slijp- en doorslijpwerkzaamheden:

- a) **Gebruik alleen schijftypes die worden aanbevolen voor uw power tool en de specifieke beschermkap die is ontworpen voor de geselecteerde schijf.** *Schijven waarvoor de power tool niet ontworpen is, kunnen niet bereikend worden beschermd en zijn niet veilig.*

- b) **Gebogen slijpschijven moeten zodanig gemonteerd worden dat hun slijpoppervlak niet boven de rand van de beschermkap uit steekt.** *Een onjuist gemonteerde slijpschijf die over de rand van de slijpschijf uitsteekt, kan onvoldoende afgeschermd worden.*
- c) **De beschermkap moet stevig worden bevestigd op de power tool en zo worden geplaatst dat de veiligheid maximaal is en de hoeveelheid schijf waaraan de gebruiker blootstaat, minimaal is.** *De beschermkap helpt de gebruiker te beschermen tegen gebroken schijffragmenten, ongewild contact met de schijf en vonken die kleding kunnen doen ontbranden.*
- d) **Schijven mogen alleen worden gebruikt voor de aanbevolen toepassing. Bijvoorbeeld: niet slijpen met de zijkant van een doorslijpschijf.** *Doorslijpschijven zijn bestemd voor omtrekslijpen; zijkrachten die op deze schijven worden toegepast kunnen tot gevolg hebben dat de schijf in stukken uiteenvalt.*
- e) **Gebruik altijd onbeschadigde schijfflenzen van de juiste grootte en vorm voor uw geselecteerde schijf.** *Juiste schijfflenzen ondersteunen de schijf waardoor het risico dat de schijf breekt wordt verkleind. Flenzen voor doorslijpschijven kunnen afwijken van flenzen voor slijpschijven.*
- f) **Gebruik geen afgesleten schijven van grotere power tools.** *Schijven die zijn bestemd voor grotere power tools zijn niet geschikt voor het hogere toerental van een kleinere tool en kunnen barsten.*

Aanvullende veiligheidswaarschuwingen die specifiek zijn bestemd voor doorslijpwerkzaamheden:



Doorslijpwerkzaamheden mogen alleen worden uitgevoerd met een speciale beschermkap (niet inbegrepen)

- a) **Forceer de doorslijpschijf niet in het werkstuk en oefen niet te veel kracht uit. Maak geen te diepe snedes.** *Door te veel spanning uit te oefenen op de schijf raakt deze overbelast en wordt het risico groter dat de schijf in de snede vervormd raakt of vastloopt, waardoor terugslag of schijfbreuk kan optreden.*

- b) **Plaats uw lichaam niet op één lijn met en achter de draaiende schijf.** Wanneer de schijf zich van uw lichaam af beweegt op het werkpunt, worden door de mogelijke terugslag de draaiende schijf en de power tool in uw richting getorpedeerd.
- c) **Wanneer de schijf vastloopt of wanneer de snijbewerking om enige reden wordt onderbroken, schakel dan de power tool uit en houd deze bewegingsloos vast totdat de schijf volledig tot stilstand is gekomen. Probeer de doorslijpschijf nooit uit de snede te verwijderen terwijl de schijf in beweging is. Anders kan terugslag optreden. Onderzoek eerst waarom de schijf is vastgelopen en verhelp de oorzaak.**
- d) **Begin niet opnieuw met doorslijpen terwijl de power tool in het werkstuk zit. Laat de schijf eerst op het maximale toerental komen en ga met de power tool vervolgens opnieuw voorzichtig in de snede. Als u de power tool start terwijl deze in het werkstuk zit, kan de schijf vastgeklemd raken, naar boven lopen of terugslaan.**
- e) **Ondersteun panelen of grote werkstukken om het risico te verkleinen dat de schijf bekneld raakt en terugslag optreedt. Grote werkstukken hebben de neiging om onder hun eigen gewicht in elkaar te zakken. Ondersteuning moet worden geplaatst onder het werkstuk bij de lijn van de snede en bij de rand van het werkstuk aan beide zijden van de schijf.**
- f) **Wees extra voorzichtig als u in bestaande muren of andere blinde gebieden een "binnengat" maakt. De uitstekende schijf snijdt mogelijk door gas- of waterleidingen, elektrische bedrading of objecten waardoor terugslag kan optreden.**

Elektrische veiligheid

Neem bij het gebruik van elektrische machines altijd de plaatselijk geldende veiligheidsvoorschriften in acht in verband met brandgevaar, gevaar voor elektrische schokken en lichamelijke letsel. Lees behalve onderstaande instructies ook de veiligheidsvoorschriften in het apart bijgevoegde veiligheidskatern door.



Controleer altijd of de spanning van de voedingstoevoer overeenkomt met de spanning op het typeplaatje.



Klasse II apparaat - Dubbel geïsoleerd - Een gearde stekker is niet noodzakelijk.

Gebruik een aardlekbeveiliging (RCD) als niet te voorkomen is dat een power tool moet worden gebruikt in een vochtige omgeving. Gebruik van een aardlekbeveiliging (RCD) verkleint het risico op elektrische schokken.

2. TECHNISCHE INFORMATIE

Bedoeld gebruik

Uw haakse slijper is ontworpen voor het slijpen van metselwerk en stalen materialen zonder gebruik van water. Voor doorslijpwerkzaamheden moet een speciale beschermkap worden gebruikt (niet inbegrepen).

Technische specificaties

Model Nr	AGM1110P	AGM1112P	AGM1114P
Netspanning	220-240 V~		
Netfrequentie	50/60 Hz		
Opgenomen vermogen	710 W		
Nominaal toerental	N ₀ 11.000/min		
Slijpschijf			
Diameter	100 mm	115 mm	125 mm
Asgat	16 mm	22 mm	22 mm
Dikte	M10	M14	M14
Gewicht	1.98 kg	2 kg	2.05 kg
Geluidsdruk (L _{PA})	86.4 + 3 dB(A)		
Geluidsvermogen (L _{WA})	97.4 + 3 dB(A)		
Trilling "oppervlakteslijpen"	6.334 + 1.5 m/s ²		
a _{h,AG}			

Model Nr	AGM1111P	AGM1113P	AGM1115P
Netspanning	220-240 V~		
Netfrequentie	50/60 Hz		
Opgenomen vermogen	850 W		
Nominaal toerental	N ₀ 11.000/min		
Slijpschijf			
Diameter	100 mm	115 mm	125 mm
Asgat	16 mm	22 mm	22 mm

Dikte	M10	M14	M14
Gewicht	1.98 kg	2 kg	2.05 kg
Geluidsdruk (L_{PA})	86.4 + 3 dB(A)		
Geluidsvermogen (L_{WA})	97.4 + 3 dB(A)		
Trilling "oppervlakteslijpen"	6.334 + 1.5 m/s ²		
$a_{h,AG}$			

Trillingsniveau

Het trillingsemissieniveau dat in deze gebruiksaanwijzing wordt vermeld, is gemeten conform een gestandaardiseerde test in EN 60745; deze mag worden gebruikt om twee machines met elkaar te vergelijken en als voorlopige beoordeling van de blootstelling aan trilling bij gebruik van de machine voor de vermelde toepassingen.

- gebruik van de tool voor andere toepassingen, of met andere of slecht onderhouden accessoires, kan het blootstellingsniveau in aanzienlijke mate doen toenemen
- wanneer de machine is uitgeschakeld of wanneer deze loopt maar geen werk verricht, kan dit het blootstellingsniveau aanzienlijk reduceren

Bescherm uzelf tegen de gevolgen van trilling door de machine en de accessoires te onderhouden, uw handen warm te houden en uw werkwijze te organiseren.

Beschrijving

De nummers in de tekst verwijzen naar de illustraties op pagina 2-3

Fig. A

1. Asvergrendelingsknop
2. Aan/Uit peddelschakelaar
3. Beschermkap

Fig. B

8. As
9. Aansluitflens
10. Schijf
11. Klemmoer
12. Sleutel
13. Zijgreep

Montage



Schakel vóór montage altijd de machine uit en verwijder de netstekker uit het stopcontact.

De beschermkap monteren (Fig. A en B)

- Plaats de machine op een tafel met de as (8) naar boven gericht.
- Plaats de beschermkap (3) over de machinekop zoals getoond in afbeelding B en zorg er hierbij voor dat de richels op de beschermkap in de inkepingen van de machinekop vallen.
- Draai de beschermkap tegen de wijzers van de klok in zoals getoond in afbeelding D en klem de ontgrendelingshendel voor de beschermkap (3) dicht.



De beschermkap mag u nooit verwijderen.

Monteren en verwijderen van de slijpschijf (Fig. B)

- Gebruik altijd een geschikte schijf voor deze machines, met een diameter van Ø 100 / 115 / 125 mm en een asgat van 16 / 22 / 22 mm; de dikte van de schijf moet 6 mm zijn voor een slijpschijf en 3 mm voor een doorslijpschijf; de schijf mag de beschermkap niet raken.

Monteren

- Plaats de machine op een tafel met de beschermkap (3) naar boven gericht.
- Monteer de flens (9) op de as (8).
- Plaats de schijf (10) op de as (8).
- Houd de asvergrendelingsknop (1) ingedrukt en draai de klemmoer (11) stevig vast op de as (8) met behulp van de sleutel (12).

Verwijderen

- Plaats de machine op een tafel met de beschermkap (3) naar boven gericht.
- Houd de asvergrendelingsknop (1) ingedrukt en maak de klemmoer (11) los met behulp van de sleutel (12).
- Verwijder de schijf (10) van de as (8).
- Houd de asvergrendelingsknop (1) ingedrukt en draai de klemmoer (11) stevig vast met behulp van de sleutel (12).

3. BEDIENING



Verzeker uzelf ervan dat het werkstuk goed gefixeerd of ondersteund is en hou het netsnoer weg van het werkgebied.

In- en uitschakelen (Fig. A)

- Schakel de machine in door op de aan/uitpeddelschakelaar (3) te drukken.
- Om de machine uit te schakelen, laat u de aan/uit-schakelaar (3) los.

Houd de machine weg van het werkstuk als u de machine in- of uitschakelt. Anders wordt het werkstuk mogelijk beschadigd door de schijf.

- Klem het werkstuk stevig vast of gebruik een andere methode om ervoor te zorgen dat het werkstuk kan bewegen kan komen terwijl u aan het werk bent.
- Controleer de schijven regelmatig. Versleten schijven hebben een negatief effect op de efficiëntie van de machine. Vervang een schijf tijdig door een nieuwe.
- Schakel na gebruik de machine eerst altijd uit voordat u de stekker uit het stopcontact haalt.

Afbramen (Fig. C)

Een schuine hoek van 30° tot 40° geeft bij het afbramen het beste resultaat. Beweeg de machine met een lichte druk heen en terug. Dit voorkomt dat het werkstuk ontkleurt of te heet wordt en groeven worden gevormd.



Gebruik nooit doorslijpschijven om werkstukken af te bramen!

Doorslijpen (Fig. D)

Voor doorslijpwerkzaamheden moet een speciale beschermkap worden gebruikt (niet inbegrepen). Houd stevig contact met het werkstuk om trillingen te voorkomen; kantel de machine niet en oefen geen druk uit terwijl u het werkstuk doorslijpt. Oefen tijdens het werk een gemiddelde druk uit die past bij het materiaal waaraan u werkt. Verraag schijven niet door een zijwaartse tegendruk uit te oefenen. De richting waarin u wilt doorslijpen is belangrijk. De machine moet altijd tegen de richting van de snede in werken; u mag de machine dus nooit in tegengestelde richting bewegen! Er bestaat anders het risico van terugslag waardoor u de controle over de machine verliest.

Aanwijzingen voor optimaal gebruik

- Klem het werkstuk vast. Gebruik een kleminrichting voor kleine werkstukken.
- Houd de machine met beide handen vast.
- Schakel de machine in.
- Wacht totdat de machine op volle snelheid is.
- Plaats de slijpschijf op het werkstuk.
- Beweeg de machine langs het werkstuk, waarbij de slijpschijf stevig tegen het werkstuk wordt gedrukt.
- Oefen niet te veel druk uit op de machine. Laat de machine het werk doen.
- Schakel de machine uit en wacht totdat de machine volledig tot stilstand is gekomen voordat u de machine neerlegt.

4. ONDERHOUD

Vervanging stekker (alleen Verenigd Koninkrijk)

Als de gegoten driepolige stekker die aan de eenheid vastzit, is beschadigd en moet worden vervangen, is het van belang dat deze wordt gedemonteerd en vervangen door een goedgekeurde, gezekerde stekker BS 1363/7A, en dat de volgende instructies voor de bedrading worden opgevolgd. De draden in het netsnoer zijn gekleurd in overeenstemming met de volgende code:

- blauw neutraal
- bruin spanning

Aangezien de kleuren van de draden in het netsnoer misschien niet overeenkomen met de gekleurde merktekens die de polen in de stekker aanduiden, gaat u als volgt verder:

- De blauwe draad moet worden aangesloten op de pool die is gemarkeerd met de letter N of die zwart gekleurd is.
- De bruine draad moet op de pool worden aangesloten die is gemarkeerd met de letter L of die rood gekleurd is.



Schakel voor reiniging en onderhoud altijd de machine uit en verwijder de netstekker uit het stopcontact.

Reinig de machinebehuizing regelmatig met een zachte doek, bij voorkeur iedere keer na gebruik. Zorg dat de ventilatiesleuven vrij van stof en vuil zijn. Gebruik bij hardnekkig vuil een zachte

doek bevochtigd met zeepwater. Gebruik geen oplosmiddelen als benzine, alcohol, ammonia, etc. Dergelijke stoffen beschadigen de kunststof onderdelen.

Vervanging netsnoeren

Als het netsnoer beschadigd is, moet het door de fabrikant, een door deze erkend servicebedrijf of een vergelijkbaar gekwalificeerde persoon worden vervangen om gevaren te voorkomen.

Het controleren en vervangen van koolborstels

Wanneer de koolborstels beschadigd is, zal de machine beginnen met onzuiver lopen.



Gebruik uitsluitend de juiste, originele koolborstels.

MILIEU



Defecte en/of afgedankte elektrische of elektronische apparaten dienen ter verwerking te worden aangeboden aan een daarvoor verantwoordelijke instantie.

Uitsluitend voor EU-landen

Dank elektrisch gereedschap niet af door dit als gewoon huisvuil aan te bieden. Conform de Europese Richtlijn 2012/19/EG voor Afgedankte Elektrische en Elektronische Apparatuur en de implementatie ervan in nationaal recht moet niet langer te gebruiken elektrisch gereedschap gescheiden worden verzameld en op een milieuvriendelijke wijze worden verwerkt.

GARANTIE

Lees voor de garantievoorzwaarden de apart bijgevoegde garantiekaart.

Het product en de gebruikershandleiding zijn onderhevig aan wijzigingen. Specificaties kunnen zonder opgaaf van redenen worden gewijzigd.

Meuleuse d'angle

AGM1110P 710W 100mm

AGM1111P 850W 100mm

AGM1112P 710W 115mm

AGM1113P 850W 115mm

AGM1114P 710W 125mm

AGM1115P 850W 125mm

Merci d'avoir choisi ce produit Ferm. Vous avez fait le choix d'un produit de qualité, fourni par l'un des principaux fournisseurs européens. Tous les produits vendus par Ferm sont fabriqués conformément aux normes les plus strictes en matière de performances et de sécurité. Renforcée par notre garantie très complète, l'excellence de notre service clientèle forme également partie intégrante de notre philosophie. Nous espérons que vous profiterez longtemps de ce produit.

1. CONSIGNES DE SÉCURITÉ



En plus des avertissements de sécurité suivants, veuillez également lire les avertissements de sécurité additionnels ainsi que les instructions. Le non-respect des avertissements de sécurité et des instructions peut entraîner une décharge électrique, un incendie et/ou des blessures graves. **Veuillez conserver les avertissements de sécurité et les instructions pour consultation ultérieure.**

Les symboles suivants sont utilisés dans le manuel d'utilisation ou apposés sur le produit:



Lisez le manuel d'utilisation.



Signale un risque de blessures, un danger mortel ou un risque d'endommagement de l'outil en cas de non-respect des instructions de ce manuel.



Risque de décharge électrique



En cas d'endommagement du câble secteur et durant le nettoyage et l'entretien, débranchez immédiatement la fiche de la prise secteur.



Risque de projection d'objets. Maintenez les spectateurs à l'écart de la zone de travail.





Portez toujours des lunettes de protection !
Portez des protections auditives.



Portez des gants de sécurité.



N'appuyez pas sur le bouton de blocage de l'axe lorsque le moteur fonctionne.



Risque d'incendie.



Ne jetez pas le produit dans des conteneurs qui ne sont pas prévus à cet effet.



Le produit est conforme aux normes de sécurité en vigueur spécifiées dans les directives européennes.

Avertissements de sécurité communs aux opérations de meulage et de découpage à l'abrasif:

- a) **Cet outil électrique est destiné aux applications de meulage. Lisez tous les avertissements de sécurité, les instructions, les illustrations et les spécifications fournis avec cet outil électrique.** *Le non-respect des instructions suivantes peut entraîner une décharge électrique, un incendie et/ou des blessures graves.*
- b) **Il n'est pas recommandé d'utiliser cet outil électrique pour des opérations telles que le ponçage, le brossage à la brosse métallique et le polissage.** *L'utilisation de cet outil pour des opérations pour lesquelles il n'a pas été conçu peut créer un danger et entraîner des blessures.*
- c) **Utilisez uniquement les accessoires spécifiquement conçus et recommandés par le fabricant de l'outil.** *Le simple fait qu'un accessoire puisse être branché sur votre outil électrique ne garantit pas un fonctionnement sans risque.*
- d) **La vitesse nominale de l'accessoire doit être au moins égale à la vitesse maximale indiquée sur l'outil électrique.** *Les accessoires dont la vitesse de rotation est supérieure à leur vitesse nominale peuvent se casser et être projetés.*
- e) **Le diamètre extérieur et l'épaisseur de l'accessoire doivent correspondre à la capacité nominale de l'outil électrique.** *Un accessoire mal dimensionné ne peut pas être maintenu et contrôlé de manière adéquate.*
- f) **Le montage fileté d'accessoires doit être adapté au filet de l'arbre de la meuleuse.** **Pour les accessoires montés avec des flasques, l'alésage central de l'accessoire doit s'adapter correctement au diamètre du flasque.** *Les accessoires qui ne correspondent pas aux éléments de montage de l'outil électrique seront en déséquilibre, vibreront de manière excessive et pourront provoquer une perte de contrôle.*
- g) **N'utilisez jamais un accessoire endommagé.** **Avant chaque utilisation, inspectez les accessoires tels que les roues abrasives à la recherche de copeaux et de fissures, les plateaux porte-disque pour vérifier l'absence de fissures, de déchirures ou usure excessive, les brosses métalliques pour détecter des fils desserrés ou fissurés.** **En cas de chute de l'outil ou de l'accessoire, vérifiez l'absence de dommage ou installez un accessoire en bon état.** **Après l'inspection et l'installation d'un accessoire, placez-vous, ainsi que les spectateurs, à distance du plan de l'accessoire en rotation, et faites fonctionner l'outil à pleine puissance à vide pendant une minute.** *Normalement, les accessoires endommagés se brisent pendant ce test.*
- h) **Portez un équipement de protection personnelle.** **Selon l'application, utilisez un masque facial, des gants de protection ou des lunettes de sécurité.** **Le cas échéant, portez un masque anti-poussière, des protections auditives, des gants et un tablier d'atelier capable d'arrêter les particules abrasives et les fragments de pièce.** *La protection utilisée pour les yeux doit être capable d'arrêter les débris volants générés par diverses opérations. Le masque anti-poussière ou le respirateur doit être capable de filtrer les particules générées par votre opération. L'exposition prolongée à une intensité sonore élevée peut entraîner une perte auditive.*

- i) **Tenez les spectateurs à une bonne distance de sécurité de la zone de travail. Quiconque pénètre dans la zone de travail doit porter un équipement de protection personnelle.**

Les fragments de pièce ou d'un accessoire brisé peuvent voler et causer des dégâts au-delà de la zone immédiate de l'opération.

- j) **Tenez toujours l'outil électrique par les surfaces de préhension isolées lorsque vous effectuez une opération au cours de laquelle l'accessoire de coupe peut entrer en contact avec des câbles non apparents ou le cordon d'alimentation de l'outil.**

Tout contact de l'accessoire de coupe avec un fil "sous tension" peut conduire l'électricité aux pièces métalliques exposées de l'outil et exposer l'utilisateur à une décharge électrique.

- k) **Placez le cordon loin de l'accessoire en rotation. En cas de perte de contrôle, le cordon peut être coupé ou accroché et votre main ou votre bras risque d'être tiré(e) vers l'accessoire en rotation.**
- l) **Ne posez jamais l'outil électrique tant que l'accessoire n'est pas complètement arrêté. L'accessoire rotatif peut s'accrocher à la surface et provoquer une perte de contrôle de l'outil électrique.**
- m) **Ne faites pas fonctionner l'outil électrique pendant que vous le transportez à côté de vous. En cas de contact accidentel avec l'accessoire rotatif, ce dernier peut arracher vos vêtements et se planter dans votre corps.**
- n) **Nettoyez régulièrement les ouvertures d'aération de l'outil électrique. Le ventilateur du moteur attire la poussière à l'intérieur de l'outil et l'accumulation excessive de poudre de métal peut causer des dangers électriques.**
- o) **Ne faites pas fonctionner l'outil électrique à proximité de matières inflammables. Une étincelle pourrait enflammer ces matériaux.**
- p) **N'utilisez aucun accessoire nécessitant un liquide de refroidissement. L'utilisation d'eau ou d'autres liquides de refroidissement peut entraîner une électrocution ou une décharge électrique.**

autre accessoire en rotation. Le pincement ou l'accrochage provoque un blocage rapide de l'accessoire en rotation, ce qui entraîne une perte de contrôle de l'outil qui revient dans la direction opposée à la rotation de l'accessoire au point de grippage.

Par exemple, si une meule abrasive est accrochée ou pincée par la pièce à ouvrir, le bord de la meule qui pénètre dans le point de pincement peut creuser la surface du matériau causant la sortie ou l'éjection de la meule. La meule peut sauter en direction de l'opérateur, ou s'éloigner, selon le sens de rotation de la meule au point de pincement. Les meules abrasives peuvent également se briser dans ces conditions. Le rebond résulte d'une utilisation inadéquate de l'outil et/ou de procédures ou de conditions de fonctionnement incorrectes. Il peut être évité en prenant les précautions suivantes:

- a) **Tenez fermement l'outil électrique et placez votre corps et votre bras de façon à résister aux forces de rebond. Utilisez toujours la poignée auxiliaire, si elle existe, pour un contrôle maximal du rebond ou de la réaction de couple pendant le démarrage. L'opérateur peut contrôler les réactions de couple ou les forces de rebond si les précautions qui s'imposent sont prises.**
- b) **Ne placez jamais votre main à proximité de l'accessoire en rotation. L'accessoire peut rebondir sur votre main.**
- c) **Ne vous placez pas dans la zone où l'outil électrique risque de se déplacer en cas de rebond. Le rebond propulse l'outil dans le sens opposé au mouvement de la meule au point d'accrochage.**
- d) **Soyez particulièrement vigilant lorsque vous travaillez dans les coins, les arêtes vives, etc. Évitez les rebondissements et les accrochages de l'accessoire. Les coins, les arêtes vives ou les rebondissements ont tendance à accrocher l'accessoire en rotation et à entraîner une perte de contrôle ou un rebond.**
- e) **Ne montez pas de chaîne, de lame de sculpture sur bois ou de lame de scie crantée sur l'outil. Ces lames provoquent des rebonds fréquents et entraînent la perte de contrôle de l'outil.**

Rebond et avertissements correspondants

Le rebond est une réaction soudaine due au pincement ou à l'accrochage d'une meule, d'un plateau porte-disque, d'une brosse ou de tout

Avertissements de sécurité spécifiques aux opérations de meulage et de découpage à l'abrasif:

- a) **Utilisez uniquement les types de meule recommandés pour votre outil électrique, ainsi que le carter de protection spécialement conçu pour la meule choisie.** *Les meules qui ne sont pas spécifiquement adaptées à l'outil électrique ne peuvent pas être correctement protégées et présentent des risques pour la sécurité.*
- b) **a surface de meulage des meules à moyeu déporté doit être montée sous le plan de la lèvres du protecteur.** Une meule montée de manière incorrecte qui dépasse du plan de la lèvres du protecteur ne peut pas être protégée de manière appropriée.
- c) **Le carter de protection doit être solidement fixé à l'outil électrique et positionné pour une sécurité maximale de façon à réduire au minimum la partie de la meule à laquelle l'opérateur est exposé.** *Le carter de protection permet de protéger l'opérateur des fragments de meule cassée, d'un contact accidentel avec la meule et des étincelles susceptibles d'enflammer les vêtements.*
- d) **Les meules doivent être utilisées uniquement pour les applications recommandées. Par exemple: ne meulez pas avec le côté d'un disque de coupe.** *Les meules abrasives sont destinées au meulage périphérique, l'application de forces latérales sur ces meules peut les briser en éclats.*
- e) **Utilisez toujours des flasques de meule en bon état, de taille et de forme adaptées à la meule choisie.** *Les flasques servent de support à la meule, réduisant ainsi le risque de cassure. Les flasques pour meules à tronçonner peuvent être différents de ceux destinés au meulage.*
- f) **N'utilisez pas les meules usagées provenant d'outils plus grands.** *Les meules destinées aux outils électriques plus grands ne sont pas adaptées à la vitesse plus élevée d'un outil plus petit et risquent d'éclater.*

Avertissements de sécurité additionnels spécifiques aux opérations de découpage à l'abrasif:



Les opérations de tronçonnage requièrent un carter de protection spécial (non inclus).

- a) Évitez de bloquer la meule à tronçonner ou d'appliquer une pression excessive. Ne tentez pas de réaliser une coupe trop profonde. *Une pression excessive sur la meule augmente la charge et le risque de torsion ou de coincement de la meule, ainsi que le risque de rebond ou de cassure.*
- b) **Ne vous placez pas dans l'alignement de la meule en rotation ni derrière celle-ci.** *Lorsque la meule, au point de fonctionnement, s'éloigne de votre corps, le rebond éventuel peut propulser la meule en rotation ainsi que l'outil électrique directement sur vous.*
- c) **Lorsque la meule coince, ou lorsque vous interrompez la coupe pour une raison quelconque, mettez l'outil électrique hors tension et maintenez-le immobile jusqu'à l'arrêt complet de la meule. Ne tentez jamais de retirer le disque de coupe de la pièce lorsque la meule est en mouvement car un rebond peut se produire.** *Recherchez les causes du problème et prenez des mesures correctives afin d'empêcher que la meule ne se gripe.*
- d) **Ne reprenez pas l'opération de tronçonnage dans la pièce. Laissez la meule atteindre sa vitesse maximale et rentrez à nouveau doucement dans la pièce.** *Si l'outil électrique est redémarré dans la pièce, la meule peut se bloquer, déraiper ou rebondir.*
- e) **Prévoyez des panneaux de support ou une pièce à ouvrir de grande dimension pour minimiser les risques de rebond ou de pincement de la meule.** *Les grandes pièces ont tendance à s'affaisser sous leur propre poids. Placez les supports sous la pièce à ouvrir, près de la ligne de coupe et du bord de la pièce à ouvrir, des deux côtés de la meule.*
- f) **Redoublez de prudence lors de la réalisation d'une poche dans les murs ou dans une zone aveugle.** *La meule saillante peut couper des canalisations de gaz ou d'eau, des câbles électriques ou des objets qui risquent de causer un rebond.*

Sécurité électrique

Lorsque vous utilisez des machines électriques, veuillez toujours observer les consignes de sécurité locales en vigueur afin de réduire les risques d'incendie, de décharge électrique et de blessure. En plus des instructions ci-dessous, lisez entièrement les consignes de sécurité fournies avec le produit.



Vérifiez que la tension d'alimentation correspond à la tension nominale indiquée sur la plaque signalétique.



Machine de classe II - Double isolation - Vous n'avez pas besoin de prise avec mise à la terre.

Si vous êtes contraint d'utiliser un outil électrique dans un environnement humide, utilisez une alimentation protégée par un dispositif à courant résiduel (RCD). L'utilisation d'un RCD réduit le risque de décharge électrique.

2. INFORMATIONS RELATIVES A LA MACHINE

Utilisation prévue

Votre meuleuse d'angle a été conçue pour le meulage sans eau de la pierre, du béton, ainsi que de l'acier. Pour le tronçonnage, vous devez utiliser un carter de protection spécial (non inclus).

Spécifications techniques

N° de modèle	AGM1110P	AGM1112P	AGM1114P
Tension de secteur	220-240 V~		
Fréquence de secteur	50/60 Hz		
Entrée d'alimentation	710 W		
Vitesse nominale	N ₀ 11.000/min		
Disque à meuler			
Diamètre	100 mm	115 mm	125 mm
Alésage	16 mm	22 mm	22 mm
Filetage d'axe	M10	M14	M14
Poids	1.98 kg	2 kg	2.05 kg
Pression acoustique (L _{PA})	86.4 + 3 dB(A)		

Intensité acoustique (L _{WA})	97.4 + 3 dB(A)
Vibration "meulage de finition" a _{h,AG}	6.334 + 1.5 m/s ²

N° de modèle	AGM1111P	AGM1113P	AGM1115P
Tension de secteur	220-240 V~		
Fréquence de secteur	50/60 Hz		
Entrée d'alimentation	850 W		
Vitesse nominale	N ₀ 11.000/min		

Disque à meuler

Diamètre	100 mm	115 mm	125 mm
Alésage	16 mm	22 mm	22 mm
Filetage d'axe	M10	M14	M14
Poids	1.98 kg	2 kg	2.05 kg

Pression acoustique (L _{PA})	86.4 + 3 dB(A)
Intensité acoustique (L _{WA})	97.4 + 3 dB(A)
Vibration "meulage de finition" a _{h,AG}	6.334 + 1.5 m/s ²

Niveau de vibrations

Le niveau des vibrations émises, indiqué dans ce manuel, a été mesuré conformément à la procédure décrite par la norme EN 60745. Il peut être utilisé pour comparer deux outils ou pour réaliser une estimation préalable de l'exposition aux vibrations lors de l'utilisation de l'outil pour les applications mentionnées.

- L'utilisation de l'outil pour d'autres applications ou avec des outils différents ou mal entretenus peut augmenter de manière significative le niveau d'exposition.
- La mise hors tension de l'outil et sa non-utilisation pendant qu'il est allumé peuvent considérablement réduire le niveau d'exposition.

Protégez-vous contre les effets des vibrations par un entretien correct de l'outil et de ses accessoires, en vous échauffant les mains et en organisant vos rythmes de travail.

Description

Les numéros dans le texte se rapportent aux schémas des pages 2-3.

Fig. A

1. Bouton de blocage de l'axe
2. Interrupteur marche/arrêt
3. Carter de protection

Fig. B

8. Axe
9. Flasque de montage
10. Disque à meuler (non inclus)
11. Écrou de serrage
12. Clé
13. Poignée latérale

Montage



Avant le montage, mettez toujours la machine hors tension et débranchez la fiche de la prise secteur.

Montage du carter de protection (Fig. A et B)

- Placez la machine sur une table avec l'axe (8) orienté vers le haut.
- Placez le carter de protection (3) sur la tête de la machine, comme illustré sur la Figure B, en veillant à ce que les cannelures du carter de protection s'insèrent dans les encoches de la tête.
- Tournez le carter de protection dans le sens inverse des aiguilles.



Ne tentez jamais d'utiliser la machine sans le carter de protection.

Montage et dépose du disque (Fig. B)

- Utilisez toujours un disque adapté à cette machine, d'un diamètre de Ø100mm / Ø115mm / Ø125mm et avec un alésage de 16 / 22 / 22 mm; l'épaisseur du disque doit être de 6 mm pour le disque à meuler et de 3 mm pour le disque à tronçonner, le disque monté ne doit pas toucher le carter de protection.

Montage

- Placez la machine sur une table, le carter de protection (3) orienté vers le haut.
- Montez le flasque (9) sur l'axe (8).
- Placez le disque (10) sur l'axe (8).
- Maintenez le bouton de blocage de l'axe

(1) enfoncé et serrez fermement l'écrou de serrage (11) sur l'axe (8) à l'aide de la clé (12).

Dépose

- Placez la machine sur une table, le carter de protection (3) orienté vers le haut.
- Maintenez le bouton de blocage de l'axe (1) enfoncé et desserrez l'écrou de serrage (11) à l'aide de la clé (12).
- Déposez le disque (10) de l'axe (8).
- Maintenez le bouton de blocage de l'axe (1) enfoncé et serrez fermement l'écrou de serrage (11) à l'aide de la clé (12).

3. FONCTIONNEMENT



Assurez vous que la pièce travaillée soit bien fixée ou soutenue et éloignez le cordon d'alimentation de la zone de travail

Mise en marche et arrêt (Fig. A)

- Pour mettre la machine en marche appuyez sur l'interrupteur marche/arrêt (2).
- Pour arrêter la machine, relâchez l'interrupteur marche/arrêt (2).

Maintenez la machine à distance de la pièce à ouvrir lors de la mise sous tension ou hors tension car le disque pourrait endommager la pièce.

- Fixez fermement la pièce à ouvrir à l'aide d'un dispositif de serrage ou de toute autre méthode pour qu'elle reste en place pendant le travail.
- Vérifiez les disques régulièrement. Les disques usés réduisent l'efficacité de la machine. Remplacez le disque par un disque neuf lorsque cela est nécessaire.
- Après usage, éteignez toujours la machine avant de la débrancher de la prise secteur.

Ébavurage (Fig. C)

Un angle d'inclinaison de 30° à 40° donnera les meilleurs résultats lors des opérations d'ébavurage. Déplacez la machine par mouvements de va-et-vient en appliquant une légère pression. Cela permet d'éviter que la pièce à ouvrir ne se décolore ou ne chauffe trop, mais aussi de prévenir la formation de rainures.



N'utilisez jamais de disques à tronçonner abrasifs pour les travaux d'ébavurage !

Tronçonnage (Fig. D)

Pour le tronçonnage, vous devez utiliser un carter de protection fermé spécial (non inclus).

Maintenez un contact ferme avec la pièce à ouvrir afin d'éviter les vibrations, sans incliner ou appliquer de pression lors du tronçonnage. Appliquez une pression modérée adaptée au matériau sur lequel vous travaillez. Ne ralentissez pas les disques en appliquant une contre-pression latéralement. La direction dans laquelle vous voulez couper est importante. La machine doit toujours travailler dans le sens opposé à celui de la coupe; donc, ne déplacez jamais la machine dans l'autre sens ! La machine risque de se coincer au point de coupe en provoquant un rebond qui vous fera perdre le contrôle de l'outil.

Conseils pour une utilisation optimale

- Serrez la pièce à ouvrir. Utilisez un dispositif de serrage pour les petites pièces.
- Maintenez la machine à deux mains.
- Mettez la machine en marche.
- Attendez que la machine atteigne son régime maximum.
- Placez le disque sur la pièce à ouvrir.
- Déplacez lentement la machine le long de la pièce à ouvrir, en appuyant le disque à meuler fermement contre la pièce.
- N'exercez pas de pression excessive sur la machine. Laissez la machine faire le travail.
- Éteignez la machine et attendez son immobilisation totale avant de la reposer.

4. ENTRETIEN

Remplacement de la fiche d'alimentation (prise UK uniquement)

Si la prise moulée à trois broches reliée à l'unité est endommagée et doit être remplacée, il est important qu'elle soit correctement détruite et remplacée par une fiche BS 1363/7 A avec fusible approuvée, et que les instructions de câblage suivantes soient suivies. Les fils du câble d'alimentation respectent le code couleur suivant:

- bleu neutre
- marron phase

Les couleurs des fils du câble d'alimentation de l'unité peuvent ne pas correspondre aux repères de couleur des bornes de la prise. Dans ce cas, procédez comme suit:

- Branchez le fil bleu à la borne marquée de la lettre N ou de couleur noire.
- Branchez le fil marron à la borne marquée de la lettre L ou de couleur rouge.



Avant le nettoyage et l'entretien, mettez toujours la machine hors tension et débranchez la fiche de la prise secteur.

Nettoyez le corps de la machine régulièrement au moyen d'un chiffon doux, de préférence après chaque utilisation. Vérifiez que les ouvertures d'aération ne sont pas obstruées ni sales. Utilisez un chiffon doux légèrement humidifié avec de la mousse de savon pour nettoyer les taches persistantes. N'utilisez pas de produits de nettoyage tels que l'essence, l'alcool, l'ammoniac, etc.; ces produits peuvent endommager les parties synthétiques.

Remplacement des cordons d'alimentation

Si le cordon d'alimentation est endommagé, il doit être remplacé par le fabricant, son agent de service après-vente ou une personne dûment qualifiée afin d'éviter tout danger.

Contrôle et remplacement des balais à bloc de charbon

Si les balais à bloc de charbon sont usés, ils doivent être remplacés par le service client du fabricant ou une personne dûment qualifiée.



Utilisez uniquement les balais à bloc de charbon appropriés.

ENVIRONNEMENT



Les équipements électroniques ou électriques défectueux ou destinés à être mis au rebut doivent être déposés aux points de recyclage appropriés.

Uniquement pour les pays de l'UE

Ne jetez pas les outils électriques avec les déchets domestiques. Selon la Directive européenne 2012/19/EU relative aux déchets d'équipements électriques et électroniques et sa mise en œuvre dans le droit national, les outils électriques hors d'usage doivent être collectés séparément et mis au rebut de manière écologique.

GARANTIE

Les conditions de garantie sont disponibles dans le certificat de garantie fourni séparément.

Le produit et le manuel d'utilisation sont sujets à modifications. Les spécifications peuvent changer sans préavis.

AMOLADORA ANGULAR

AGM1110P 710W 100mm

AGM1111P 850W 100mm

AGM1112P 710W 115mm

AGM1113P 850W 115mm

AGM1114P 710W 125mm

AGM1115P 850W 125mm

Gracias por comprar este producto de Ferm. Ahora dispone de un excelente producto, suministrado por uno de los principales proveedores de Europa. Todos los productos suministrados por Ferm son fabricados de acuerdo con los más elevados estándares de rendimiento y seguridad. Como parte de nuestra filosofía, proporcionamos también un excelente servicio al cliente, respaldado por nuestra garantía integral. Esperamos que disfrute del uso de este producto durante muchos años.

1. INSTRUCCIONES DE SEGURIDAD



ADVERTENCIA

Lea las advertencias de seguridad, las advertencias de seguridad adicionales y las instrucciones adjuntas. *Si no respeta las advertencias de seguridad y las instrucciones, pueden ocasionarse descargas eléctricas, incendios y/o lesiones graves.* **Guarde las advertencias de seguridad y las instrucciones para su futura consulta.**

En el manual de usuario y en el producto se emplean los siguientes símbolos:



Lea el manual de usuario.



Denota riesgo de lesiones personales, pérdida de vida o daños a la herramienta en caso de incumplimiento de las instrucciones del presente manual.



Riesgo de choque eléctrico



Saque inmediatamente el enchufe de alimentación de red si el cable de red está dañado y cuando realice operaciones de limpieza y mantenimiento.



Riesgo de objetos volantes. Mantenga a las personas ajenas alejadas de la zona de trabajo.



*¡Use siempre protectores oculares!
Use protectores auditivos.*



Use guantes de seguridad.



No apriete el botón de bloqueo del eje mientras el motor está en funcionamiento.



Riesgo de incendio.



No tire el producto en contenedores no apropiados.



El producto es conforme a las normas de seguridad aplicables según las directivas europeas.

Advertencias de seguridad comunes para operaciones de desbaste o corte mediante disco abrasivo:

- a) **Esta herramienta eléctrica ha sido concebida para funcionar como amoladora. Lea las advertencias de seguridad, las instrucciones, las ilustraciones y las especificaciones suministradas con la herramienta eléctrica.** Si no sigue las instrucciones detalladas abajo pueden ocasionarse descargas eléctricas, incendios y/o lesiones graves.
- b) **Se recomienda no realizar operaciones tales como lijado, cepillado y pulido con esta herramienta eléctrica.** Las operaciones para las cuales la herramienta eléctrica no fue concebida pueden ser causa de peligro y ocasionar lesiones personales.
- c) **No use accesorios que no hayan sido especialmente diseñados por el fabricante de la herramienta y que no estén recomendados por este.** Puesto que los accesorios pueden acoplarse a la herramienta eléctrica, deben asegurar un funcionamiento seguro.
- d) **La velocidad nominal del accesorio debe ser por lo menos igual a la velocidad máxima indicada en la herramienta eléctrica.** Los accesorios que funcionen más velozmente que la velocidad nominal pueden romperse y volar en pedazos.
- e) **El diámetro externo y el espesor del accesorio deben corresponder a la capacidad de potencia de la herramienta eléctrica.** Los accesorios de dimensiones incorrectas no pueden ser adecuadamente protegidos o controlados.
- f) **El montaje roscado de los accesorios debe coincidir con el eje roscado de la amoladora.** Para accesorios montados por medio de bridas, el agujero del árbol del accesorio debe coincidir con el diámetro de colocación de la brida. Los accesorios que no coincidan con el soporte de montaje de la herramienta quedarán desequilibrados, vibrarán excesivamente y pueden ocasionar la pérdida de control.
- g) **No use accesorios dañados.** Antes de cada uso controle los accesorios, por ejemplo, que los discos abrasivos no tengan virutas y cuarteaduras, que la almohadilla de apoyo no tenga fisuras o rasgaduras y no esté excesivamente desgastada, y que los cepillos no tengan alambres sueltos o desintegrados. Si la herramienta o el accesorio se caen, controle si tienen daños o instale un accesorio no dañado. Después de inspeccionar e instalar un accesorio, usted y las personas que estén cerca deben mantenerse alejadas del alcance del accesorio rotativo y se debe hacer funcionar la herramienta eléctrica a máxima velocidad en vacío durante un minuto. Los accesorios dañados por lo general se separan durante este tiempo de prueba.
- h) **Use dispositivos de protección individual.** Según la aplicación, use máscara facial, gafas protectoras u otro tipo de protector ocular. En su caso, use mascarilla contra el polvo, protectores auditivos, guantes y delantal de taller capaz de detener los pequeños fragmentos abrasivos o de piezas de trabajo. La protección ocular debe ser capaz de detener los residuos volantes generados por las diferentes operaciones. La mascarilla o careta contra el polvo debe ser

capaz de filtrar las partículas generadas durante el funcionamiento. La exposición prolongada al ruido intenso puede causar pérdida auditiva.

- i) **Mantenga a las personas ajenas alejadas de la zona de trabajo. Cualquier persona que entre a la zona de trabajo debe usar equipo de protección individual.** *Los fragmentos de piezas de trabajo o de un accesorio roto pueden salir volando y ocasionar lesiones más allá de la zona inmediata de funcionamiento.*
 - j) **Aferre la herramienta por las superficies de agarre aisladas cuando realice alguna operación en la que el accesorio de corte pueda entrar en contacto con cables ocultos o con el propio cable.** *Si el accesorio de corte entra en contacto con un cable con tensión, puede exponer las partes metálicas de la herramienta a tensión y ocasionar una descarga eléctrica al operador.*
 - k) **Coloque el cable de modo que no interfiera con el accesorio rotante.** *Si pierde el control, el cable puede cortarse o engancharse y lo puede tirar con la mano o el brazo hacia el accesorio rotante.*
 - l) **Nunca apoye la herramienta eléctrica hasta que el accesorio se haya detenido completamente.** *El accesorio rotante puede coger la superficie y hacerle perder el control del cable de corriente.*
 - m) **No haga funcionar la herramienta eléctrica mientras la transporta consigo.** *El contacto accidental con el accesorio rotante puede hacer que se enganche la ropa, tirando el accesorio hacia el cuerpo.*
 - n) **Limpiar regularmente las salidas de aire de la herramienta eléctrica.** *El ventilador del motor atrae el polvo hacia dentro de la carcasa y la acumulación excesiva de polvo metálico puede ocasionar riesgos eléctricos.*
 - o) **No haga funcionar la herramienta eléctrica cerca de materiales inflamables.** *Las chispas pueden encender estos materiales.*
 - p) **No use accesorios que requieran líquidos de refrigeración.** *El uso de agua y otros líquidos de refrigeración pueden ocasionar descargas eléctricas o electrocución.*
- Rebotes y advertencias relacionadas**
- El rebote es una reacción repentina a un apretón o enganchón en el disco rotatorio, plato de soporte, cepillo o cualquier otro accesorio. Los apretones o enganchones causan atascamiento del accesorio rotativo que, a su vez, hace que la herramienta eléctrica fuera de control se fuerce en la dirección contraria a la rotación del accesorio en el punto de agarrotamiento.
- Por ejemplo, si el disco abrasivo engancha o aprieta la pieza de trabajo, el borde del disco que entra en el punto del apretón puede penetrar en la superficie del material haciendo que el disco se salga o expulsándolo. El disco puede saltar hacia el operador o encima de él, según sea la dirección del movimiento del disco en el punto del apretón. Los discos abrasivos también pueden romperse en estas condiciones. El rebote se produce por mal uso y/o procedimientos de funcionamiento o condiciones incorrectos y puede evitarse tomando las debidas precauciones que se indican abajo.
- a) **Mantenga aferrada firmemente la herramienta y coloque las manos y el cuerpo de modo que resistan a la fuerza de rebote. Use siempre la empuñadura auxiliar, si la hubiera, para ejercitar el máximo control contra rebote o par de reacción durante el arranque.** *El operador puede controlar los pares de reacción o fuerzas de rebote si adopta las debidas precauciones.*
 - b) **Nunca coloque las manos cerca del accesorio rotatorio.** *El accesorio puede rebotar en sus manos.*
 - c) **No coloque el cuerpo en la zona hacia donde se puede mover la herramienta eléctrica si rebota.** *El rebote impulsa la herramienta en la dirección opuesta al movimiento del disco en el punto de enganche.*
 - d) **Tenga especial cuidado cuando trabaje en las esquinas, aristas, etc. Evite hacer rebotar y atascar el accesorio.** *Las esquinas, aristas o contragolpes tienden a atascar el accesorio rotatorio y causan pérdida de control o rebote.*
 - e) **No acople hojas de sierra de cadena para cortar madera u hojas de sierra dentada.** *Estas hojas producen frecuentes rebotes y pérdida de control.*

Advertencias de seguridad comunes para operaciones de desbaste o corte mediante disco abrasivo:

- a) **Use solamente los tipos de discos recomendados para su herramienta eléctrica y la protección específica diseñada para el disco seleccionado.** *Los discos para los que no ha sido diseñada la herramienta eléctrica no pueden protegerse adecuadamente y son inseguros.*
- b) **La superficie de desbaste de discos de centro excavado deben montarse debajo del plano del protector de filo.** *Un disco montado incorrectamente, que sobresale del plano del protector de filo, no puede proteger en modo adecuado.*
- c) **El protector debe estar firmemente fijado a la herramienta eléctrica y posicionado para seguridad máxima, con la menor cantidad del disco expuesto hacia el operador.** *El protector ayuda a proteger al operador de los fragmentos del disco cuando se rompe, el contacto accidental con el disco y las chispas que pueden encender la ropa.*
- d) **Los discos deben utilizarse solamente para las aplicaciones recomendadas. Por ejemplo: no amole con la parte de corte del disco.** *Los discos abrasivos de corte han sido diseñados para amolado periférico, si se aplica una fuerza lateral a estos discos, se pueden astillar.*
- e) **Use siempre bridas de disco no dañadas y de la medida y forma correctas para el disco que haya seleccionado.** *Las bridas de disco correctas soportan el disco reduciendo la posibilidad de que este se rompa. Las bridas para discos de corte pueden ser diferentes a las bridas para discos de desbaste.*
- f) **No use discos abrasivos gastados de herramientas eléctricas más grandes.** *Los discos para herramientas eléctricas más grandes no son adecuados para la velocidad más elevada de una herramienta más pequeña y pueden romperse.*

Advertencias de seguridad adicionales para operaciones de corte abrasivo:



Las operaciones de corte son apropiadas únicamente con un protector de seguridad especial (no incluido).

- a) **No “atasque” el disco de corte o ejercite una presión excesiva. No intente hacer cortes de excesiva profundidad.** *Someter a esfuerzo excesivo el disco abrasivo aumenta la carga y la susceptibilidad a la torsión o agarrotamiento del disco durante el corte y la posibilidad de rebote o rotura del disco.*
- b) **No coloque el cuerpo en línea con el disco rotativo y detrás de él.** *Cuando el disco, en el punto de funcionamiento, se aleja de su cuerpo, el posible rebote puede impulsar el disco rotante y la herramienta eléctrica directamente hacia usted.*
- c) **Cuando el disco está agarrotado o interrumpe un corte por algún motivo, apague la herramienta eléctrica y manténgala inmóvil hasta que el disco se detenga completamente. Nunca intente extraer el disco de corte mientras este está en movimiento, pues puede producir un rebote.** *Investigue y tome las medidas correctivas necesarias para eliminar la causa de agarrotamiento del disco.*
- d) **No reinicie la operación de corte en la pieza. Deje que el disco alcance velocidad plena y vuelva a entrar con cuidado en el corte.** *El disco puede agarrotarse, acercarse o rebotar si la herramienta eléctrica se reinicia en la pieza de trabajo.*
- e) **Paneles de soporte o cualquier pieza sobredimensionada para minimizar el riesgo de apretones y rebotes del disco.** *Las piezas de trabajo grandes tienden a hundirse bajo su propio peso. Deben colocarse soportes debajo de la pieza de trabajo, cerca de la línea de corte y cerca del borde de la pieza a ambos lados del disco.*
- f) **Use precauciones extra cuando haga un “corte de bolsillo” en paredes existentes u otras áreas invisibles.** *El disco que sobresale puede cortar tubos de gas o de agua, cableados eléctricos y objetos que pueden causar rebote.*

Seguridad eléctrica

Cuando use máquinas eléctricas observe siempre las normas de seguridad aplicables en su país para reducir el riesgo de incendios, descargas eléctricas y lesiones personales. Lea las siguientes instrucciones de seguridad y las instrucciones de seguridad adjuntas.



Compruebe siempre que la tensión de la fuente de energía corresponda con la tensión de la etiqueta de la placa de datos.



Máquina de clase II - Doble aislamiento - No necesita enchufe con puesta a tierra.

Si no se puede evitar el uso de la herramienta eléctrica en un lugar húmedo, use suministro protegido mediante dispositivo diferencial residual (DDR). El uso de un DDR reduce el riesgo de choque eléctrico.

2. INFORMACIÓN DE LA MÁQUINA

Uso previsto

Su amoladora angular ha sido diseñada para amolar materiales de mampostería y acero sin usar agua. Para el corte debe usarse un protector de seguridad especial (no incluido)

Especificaciones técnicas

Modelo n.º	AGM1110P	AGM1112P	AGM1114P
Alimentación de red	220-240 V~		
Frecuencia de alimentación	50/60 Hz		
Potencia de entrada	710 W		
Velocidad nominal	N ₀ 11.000/min		
Disco de desbaste			
Diámetro	100 mm	115 mm	125 mm
Calibre	16 mm	22 mm	22 mm
Rosca del eje	M10	M14	M14
Peso	1.98 kg	2 kg	2.05 kg
Presión sonora (L _{PA})	86.4 + 3 dB(A)		
Potencia acústica (L _{WA})	97.4 + 3 dB(A)		
Vibración "Desbaste de superficie" a _{h,AG}	6.334 + 1.5 m/s ²		

Modelo n.º	AGM1111P	AGM1113P	AGM1115P
Alimentación de red	220-240 V~		
Frecuencia de alimentación	50/60 Hz		
Potencia de entrada	850 W		
Velocidad nominal	N ₀ 11.000/min		
Disco de desbaste			
Diámetro	100 mm	115 mm	125 mm
Calibre	16 mm	22 mm	22 mm
Rosca del eje	M10	M14	M14
Peso	1.98 kg	2 kg	2.05 kg
Presión sonora (L _{PA})	89 + 3 dB(A)		
Potencia acústica (L _{WA})	100 + 3 dB(A)		
Vibración "Desbaste de superficie" a _{h,AG}	6.334 + 1.5 m/s ²		

Nivel de vibración

El nivel de emisión de vibraciones declarado en el presente manual de instrucciones ha sido medido de acuerdo con una prueba normalizada establecida por la norma EN 60745; puede usarse para comparar una herramienta con otra y como evaluación preliminar de exposición a la vibración cuando se usa la herramienta para las aplicaciones mencionadas

- usar la herramienta para diferentes aplicaciones o con accesorios diferentes o escasamente mantenidos, puede aumentar significativamente el nivel de exposición
- cuando la herramienta está apagada o está en funcionamiento, pero no ejecuta realmente ninguna tarea, puede reducir significativamente el nivel de exposición.

Protéjase contra los efectos de las vibraciones haciendo el mantenimiento a la herramienta y a sus accesorios, manteniendo las manos calientes y organizando sus patrones de trabajo.

Descripción

Los números del texto se refieren a los diagramas de las páginas 2-3

Fig. A

1. Botón de bloqueo del eje
2. Interruptor de Encendido/Apagado
3. Protector de seguridad

Fig. B

- 8. Eje
- 9. Brida de montaje
- 10. Disco abrasivo (no incluido)
- 11. Tuerca de fijación
- 12. Llave de ajuste
- 13. Empuñadura lateral

Montaje

Antes del montaje, apague siempre la máquina y extraiga el enchufe de la red de alimentación.

Montaje del protector de seguridad (fig. A y B)

- Coloque la máquina sobre una mesa con el eje (8) mirando hacia arriba.
- Coloque el protector de seguridad (3) sobre la cabeza de la máquina como se muestra en la Figura B, asegurándose de que el reborde del protector de seguridad incida en la muesca de la cabeza de la máquina.
- Gire el protector de seguridad en el sentido contrario a las agujas del reloj.



Nunca intente usar la máquina sin protector.

Montaje y desmontaje del disco (fig. B)

- Use siempre un disco abrasivo apto para esta máquina, de Ø100mm / Ø115mm / Ø125mm de diámetro y de 16 / 22 / 22 mm de calibre, el espesor del disco debe ser de 6 mm en caso de disco de desbaste y de 3 mm en caso de disco de corte, el disco montado no debe tocar los protectores de seguridad.

Montaje

- Coloque la máquina sobre una mesa con el protector de seguridad (3) mirando hacia arriba.
- Monte la brida (9) en el eje (8).
- Coloque el disco abrasivo (10) en el eje (8).
- Mantenga pulsado el botón de bloqueo del eje (1) y apriete firmemente la tuerca de fijación (11) en el eje (8) usando una llave de ajuste (12).

Desmontaje

- Coloque la máquina sobre una mesa con el protector de seguridad (3) mirando hacia arriba.
- Mantenga pulsado el botón de bloqueo del eje (1) y afloje la tuerca de fijación (11) usando una llave de ajuste (12).

- Extraiga el disco abrasivo (10) del eje (8).
- Mantenga pulsado el botón de bloqueo del eje (1) y apriete bien la tuerca de fijación (11) usando una llave de ajuste (12).

3. FUNCIONAMIENTO

Asegúrese de que la pieza de trabajo esté correctamente apoyada o fijada y dirija el cable hacia fuera de la zona de trabajo.

Encendido y apagado (fig. A)

- Para encender la máquina pulse el interruptor de Encendido/Apagado (2).
- Para apagar la máquina, suelte el interruptor de Encendido/Apagado (2).

Mantenga la máquina alejada de la pieza de trabajo cuando la encienda o la apague porque el disco abrasivo puede dañar la pieza de trabajo.

- Fije firmemente la pieza de trabajo o use cualquier otro método para asegurar que no se mueva mientras realiza el trabajo.
- Compruebe los discos regularmente. Los discos abrasivos gastados afectan a la eficiencia de la máquina. Sustituya con un nuevo disco abrasivo a tiempo.
- Primero apague la máquina y después extraiga el enchufe de la toma de corriente.

Desbaste (fig. C)

Con un ángulo de inclinación de 30° a 40° se obtienen los mejores resultados de desbaste. Mueva la máquina hacia delante y hacia atrás ejerciendo una ligera presión. Esto evitará que la pieza de trabajo se descolore o se caliente demasiado y que queden acanaladuras.



Nunca use discos abrasivos de corte para trabajos de desbaste.

Corte (fig. D)

Para el corte debe usarse un protector de seguridad cerrado especial (no incluido). Mantenga firmemente el contacto con la pieza de trabajo para evitar vibraciones y no se incline ni ejercite demasiada presión cuando corte. Ejercite una moderada presión cuando trabaje, apropiada al material sobre el que está trabajando. No baje los discos abrasivos aplicando contrapresión en los costados. La dirección de corte es importante. La máquina siempre debe trabajar contra la

dirección de corte, por lo tanto nunca mueva la máquina hacia otra dirección. Existe el riesgo de que la máquina se atasque en el corte causando rebote y le haga perder el control.

Consejos para un uso óptimo

- Sujete con mordaza la pieza de trabajo. Use un dispositivo de fijación para piezas pequeñas.
- Coja la máquina con ambas manos.
- Encienda la máquina.
- Espere a que la máquina alcance velocidad plena.
- Coloque el disco abrasivo sobre la pieza.
- Mueva lentamente la máquina a lo largo de la pieza de trabajo, empujando firmemente el disco abrasivo contra la pieza de trabajo.
- No ejercite demasiada presión sobre la máquina. Deje que la máquina haga el trabajo.
- Apague la máquina y espere a que se detenga completamente antes de apoyarla.

4. MANTENIMIENTO

Sustitución del enchufe de alimentación de red (solo Reino Unido)

Si el enchufe moldeado de 3 clavijas adjunto a la unidad está dañado o debe sustituirse, es importante destruirlo correctamente y sustituirlo por un enchufe con fusible BS 1363/13A aprobado y seguir las siguientes instrucciones de cableado. Los hilos del cable de alimentación de red tienen colores que corresponden a los siguientes códigos:
azul neutro
marrón tensión

Como los colores de los hilos del cable de alimentación de red de la unidad pueden no coincidir con las marcas de colores que identifican los terminales del enchufe, haga lo siguiente:

- El cable de color azul debe conectarse al terminal marcado con la letra N o de color negro.
- El cable de color marrón debe conectarse al terminal marcado con la letra L o de color rojo.



Antes de realizar la limpieza y el mantenimiento, apague siempre la máquina y extraiga el enchufe de la red de alimentación.

Limpie regularmente la carcasa de la máquina con un paño suave, preferentemente después de cada uso. Compruebe que los orificios de ventilación estén libres de polvo y suciedad. Elimine el polvo persistente utilizando un paño suave humedecido con agua y jabón. No use disolventes tales como gasolina, alcohol, amoníaco, etc. Tales productos químicos pueden dañar los componentes sintéticos.

Sustituya los cables de corriente

Si el cable de alimentación se daña, debe ser sustituido por el fabricante, sus centros de servicios u otras personas con cualificación similar, para evitar peligros.

Control y sustitución de las escobillas de carbón

Si las escobillas de carbón están gastadas, deben ser sustituidas por el departamento de servicios del fabricante u otra persona con cualificación similar.



Use solamente escobillas de carbón del tipo correcto y originales.

MEDIOAMBIENTE



Los aparatos eléctricos o electrónicos defectuosos y/o desechados deben recogerse en lugares de reciclado apropiado.

Solo para países de la Comunidad Europea

No elimine las herramientas eléctricas como residuos domésticos. De acuerdo con la Directiva europea 2012/19/EU sobre residuos de aparatos eléctricos y electrónicos, y su transposición a las legislaciones nacionales, las herramientas eléctricas que ya no se utilizan deben recogerse por separado y eliminarse en modo ecológico.

GARANTÍA

Las condiciones de la garantía se encuentran en la tarjeta de garantía suministrada por separado.

El producto y el manual de usuario están sujetos a variaciones. Las especificaciones pueden variarse sin previo aviso.

REBARBADORA ANGULAR

AGM1110P 710W 100mm
 AGM1111P 850W 100mm
 AGM1112P 710W 115mm
 AGM1113P 850W 115mm
 AGM1114P 710W 125mm
 AGM1115P 850W 125mm

Obrigado por ter adquirido este produto da Ferm. Ao fazê-lo, adquiriu um excelente produto, fornecido por um dos principais fornecedores da Europa. Todos os produtos fornecidos pela Ferm são fabricados de acordo com os mais elevados padrões de desempenho e segurança. Como parte da nossa filosofia, fornecemos também um excelente serviço de assistência ao cliente, apoiado pela nossa garantia abrangida. Esperamos que aprecie utilizar este produto durante muitos anos.

1. INSTRUÇÕES DE SEGURANÇA



AVISO

Leia os avisos de segurança fornecidos, os avisos de segurança adicionais e as instruções. O não cumprimento dos avisos de segurança e as instruções podem resultar em choque eléctrico, incêndio e/ou ferimentos graves. **Guarde os avisos de segurança e as instruções para referência futura.**

Os seguintes símbolos são utilizados no manual do utilizador ou no produto:



Leia o manual do utilizador.



Indica o risco de ferimentos, morte ou danos na ferramenta se as instruções indicadas neste manual não forem seguidas.



Risco de choque eléctrico



Retire de imediato a ficha da tomada de corrente se o cabo de corrente sofrer danos e durante a limpeza e manutenção.



Risco de projecção de objectos.
 Mantenha os passantes afastados da área de trabalho.



Use sempre protecção ocular!
 Use protecção auricular.



Use luvas de segurança.



Não prima o botão de bloqueio do eixo enquanto o motor estiver em funcionamento.



Risco de incêndio.



Não elimine o produto em recipientes não adequados.



O produto está em conformidade com as normas de segurança aplicáveis nas directivas europeias.

Avisos de segurança comuns para operações de desgaste ou corte abrasivo:

- Esta ferramenta eléctrica foi concebida para funcionar como uma rebarbadora. Leia todos os avisos de segurança, instruções, ilustrações e especificações fornecidos com esta ferramenta eléctrica.** O não cumprimento de todas as instruções indicadas abaixo podem resultar em choque eléctrico, incêndio e/ou ferimentos graves.
- Não é recomendável efectuar operações como areamento, limpeza com escova metálica e polimento com esta ferramenta eléctrica.** Se a ferramenta eléctrica for utilizada para operações para as quais não foi concebida, isso pode dar origem a situações de perigo e causar ferimentos pessoais.
- Não utilize acessórios que não tenham sido concebidos e recomendados especificamente pelo fabricante da ferramenta.** O facto de poder instalar o acessório na ferramenta eléctrica não garante um funcionamento seguro.
- A velocidade nominal do acessório deve ser, pelo menos, igual à velocidade máxima**

- assinalada na ferramenta eléctrica. Os acessórios funcionam mais depressa do que à velocidade nominal e são projectados.
- e) **O diâmetro externo e a espessura do acessório devem estar de acordo com a capacidade da ferramenta eléctrica.** Os acessórios com tamanho incorrecto não podem ser protegidos nem controlados de maneira adequada.
- f) **A montagem roscada dos acessórios deve corresponder à rosca do eixo da rebarbadora.** No que respeita aos acessórios montados em flanges, o orifício do mandril do mandril deve encaixar no diâmetro de localização da flange. Os acessórios que não correspondam ao equipamento de montagem da ferramenta eléctrica podem ficar desequilibrados, vibrar excessivamente e pode causar perda de controlo.
- g) **Não utilize acessórios danificados.** Antes de cada utilização, inspecione os acessórios, por exemplo, procure rachas e fendas nos discos abrasivos, rachas, danos ou desgaste excessivo nos discos de suporte e arames soltos ou partidos nas catrabuchas. Se deixar cair a ferramenta eléctrica ou os acessórios, verifique o respectivo estado. Após inspecionar e instalar um acessório, coloque-se a si mesmo e quaisquer outras pessoas presentes no local numa posição afastada do ângulo de trabalho do acessório rotativo e ligue a ferramenta eléctrica na respectiva velocidade máxima em vazio durante um minuto. Os acessórios danificados irão normalmente fragmentar-se durante este período de teste.
- h) **Use equipamento de protecção pessoal.** Dependendo da operação, use uma viseira ou óculos de protecção. Conforme necessário, use uma máscara anti-poeira, protectores auditivos, luvas e um avental de oficina que o proteja contra pequenos fragmentos abrasivos ou da peça. A protecção ocular tem de ser capaz de o proteger contra a projecção de detritos resultantes de várias operações. A máscara contra o pó (ou um filtro respiratório equivalente) tem de ser capaz de filtrar as partículas criadas pela utilização da ferramenta. A exposição prolongada a ruído de grande intensidade poderá causar perda de audição.
- i) **Mantenha as pessoas presentes no local a uma distância segura da área de trabalho.** Qualquer pessoa que entre no perímetro da área de trabalho tem de usar equipamento de protecção pessoal. Poderá dar-se o caso de fragmentos da peça de trabalho ou de uma lâmina partida serem projectados para longe e causarem ferimentos fora da área de trabalho imediata.
- j) **Segure a ferramenta eléctrica apenas pelas superfícies isoladas específicas para o efeito ao efectuar uma operação em que o acessório de corte possa entrar em contacto com fios ocultos ou com o próprio cabo da ferramenta.** Um acessório de corte que entre em contacto com um fio com tensão eléctrica poderá fazer com que as peças de metal expostas da ferramenta conduzam electricidade e electrocitem o utilizador.
- k) **Afaste o cabo de alimentação do acessório rotativo.** Se perder o controlo da ferramenta, o cabo poderá ser cortado ou ficar preso no acessório, puxando a sua mão ou o seu braço na direcção da lâmina em rotação.
- l) **Nunca pouse a ferramenta eléctrica antes de o acessório ficar completamente imobilizado.** O acessório rotativo poderá ficar preso na superfície onde pousou a ferramenta eléctrica e puxá-la para longe das suas mãos, fazendo-o perder o controlo da mesma.
- m) **Não ligue a ferramenta eléctrica enquanto estiver a transportar.** Um contacto accidental do acessório rotativo com a sua roupa poderá prendê-la no mesmo, puxando o acessório na direcção do seu corpo.
- n) **Limpe regularmente as aberturas de ventilação da ferramenta eléctrica.** A ventoinha do motor irá puxar as partículas no interior da caixa da ferramenta e a acumulação excessiva de metal em pó poderá causar riscos eléctricos.
- o) **Não utilize a ferramenta eléctrica perto de materiais inflamáveis.** Estes materiais poderão ser inflamados por faíscas da ferramenta.
- p) **Não utilize acessórios que necessitem de líquidos de refrigeração.** A utilização de água ou outros líquidos de refrigeração poderá resultar em electrocussão ou choque eléctrico.

Recuo e avisos relacionados

O efeito de coice é uma reacção súbita resultante do aperto ou bloqueio de um disco rotativo, de um disco de suporte, de uma catrabucha ou de qualquer outro acessório. O aperto ou bloqueio causa uma paragem rápida do acessório rotativo, o que, por sua vez, faz com que a ferramenta eléctrica seja impelida na direcção oposta à rotação do acessório no ponto de bloqueio.

Por exemplo, se um disco abrasivo ficar preso ou for apertado pela peça de trabalho, a extremidade do disco que estiver em contacto com o ponto de aperto pode penetrar a superfície do material, fazendo o disco subir ou saltar da peça. O disco poderá então saltar na direcção do utilizador ou para longe do mesmo, dependendo da direcção do movimento do disco no ponto de aperto. Os discos abrasivos podem também partir-se nestas condições. O efeito de coice é o resultado de uma utilização abusiva da ferramenta eléctrica e/ou de condições ou procedimentos de utilização incorrectos e pode ser evitado tomando as precauções indicadas abaixo.

- a) **Segure a ferramenta eléctrica com firmeza e posicione o seu corpo e o seu braço de forma a poder resistir ao efeito de coice. Utilize sempre o punho auxiliar, caso este seja fornecido, para controlar ao máximo o efeito de coice ou a reacção do binário durante o arranque da ferramenta.** *O utilizador pode controlar facilmente a reacção do binário ou o efeito de coice se forem tomadas as devidas precauções.*
- b) **Nunca coloque a sua mão perto do acessório rotativo.** *O efeito de coice poderá fazer o acessório saltar para cima da sua mão.*
- c) **Não posicione o seu corpo na área para a qual a ferramenta eléctrica poderá saltar caso ocorra o efeito de coice.** *O efeito de coice irá projectar a ferramenta na direcção oposta ao movimento do disco no ponto de bloqueio.*
- d) **Tenha especial cuidado ao utilizar a ferramenta em cantos, extremidades aguçadas, etc. Evite que o acessório salte ou fique preso na peça de trabalho.** *Os cantos, as extremidades aguçadas ou o facto de o acessório rotativo saltar tendem a fazê-lo ficar preso na peça de trabalho e, consequentemente, a causar a perda do*

controlo da ferramenta ou a ocorrência do efeito de coice.

- e) **Não instale na ferramenta uma lâmina de corrente de serra para esculpir madeira ou uma lâmina de serra dentada.** *Estas lâminas originam frequentemente o efeito de coice e a perda do controlo da ferramenta.*

Avisos de segurança específicos para operações de desbaste e corte abrasivo:

- a) **Utilize apenas os tipos de disco recomendados para a sua ferramenta eléctrica e a protecção específica concebida para o disco seleccionado.** *Os discos para os quais a ferramenta eléctrica não foi concebida não podem ser protegidos de forma adequada e, consequentemente, não são seguros.*
- b) **A superfície de desbaste das rodas côncavas deve ser montada abaixo do ângulo de trabalho da extremidade do resguardo.** *Uma roda montada incorrectamente que seja projectada pelo plano da extremidade do resguardo não pode ser protegida de maneira adequada.*
- c) **O resguardo deve ser fixado com segurança à ferramenta eléctrica e posicionado de forma a proporcionar a máxima segurança possível, de modo a que apenas uma superfície mínima da lâmina esteja virada na direcção do utilizador.** *O resguardo ajuda a proteger o utilizador contra fragmentos do disco e qualquer contacto accidental com o mesmo e as faíscas que podem incendiar a roupa.*
- d) **Os discos devem ser utilizados exclusivamente para as operações recomendadas.** *Por exemplo, não desbaste materiais com a parte lateral de um disco de corte. As lâminas de corte abrasivo destinam-se a efectuar desbastes periféricos, quaisquer forças laterais sobre estas lâminas podem estilhaçá-las.*
- e) **Utilize sempre encaixes de disco intactos com um tamanho e uma forma adequados para o disco seleccionado.** *Os encaixes de disco apropriados suportam correctamente o disco, reduzindo assim a possibilidade de quebra do disco. Os encaixes para discos de corte poderão ser diferentes dos encaixes para discos de desbaste.*

- f) **Não utilize discos gastos de ferramentas eléctricas maiores.** Os discos concebidos para ferramentas eléctricas maiores não são adequados para a velocidade mais alta de uma ferramenta mais pequena e poderão fragmentar-se.

Avisos adicionais de segurança específicos para operações de corte abrasivo:



As operações de corte são adequadas com um resguardo de protecção especial (não incluído).

- a) **Não utilize o disco de corte de forma forçada nem aplique uma pressão excessiva no mesmo. Não efectue cortes excessivamente profundos.** Utilizar o disco de forma forçada aumenta a respectiva carga de trabalho e a susceptibilidade à torção ou ao bloqueio do mesmo no corte, bem como a possibilidade de ocorrer o efeito de coice ou a fragmentação do disco.
- b) **Não posicione o seu corpo directamente atrás do disco rotativo.** Quando o disco, no ponto da operação, estiver a afastar-se do seu corpo, o possível efeito de coice pode impelir o disco rotativo e a ferramenta eléctrica directamente contra si.
- c) **Quando o disco estiver a emperrar ou ao interromper um corte por qualquer razão, desligue a ferramenta eléctrica e segure-a sem se mexer até que o disco fique completamente imobilizado.** Nunca retire o disco de corte do corte enquanto o disco estiver em movimento. Caso contrário, poderá ocorrer o efeito de coice. Investigue e tome acções correctivas para eliminar a causa do bloqueio do disco.
- d) **Não recomece a operação de corte na peça de trabalho. Deixe o disco alcançar a velocidade máxima e continue o corte de forma cuidadosa.** O disco poderá subir ou saltar da peça de trabalho ou emperrar se a ferramenta eléctrica for ligada em contacto com a peça.
- e) **Suporte quaisquer painéis ou qualquer peça de trabalho sobredimensionada para minimizar o risco de aperto do disco e ocorrência do efeito de coice.** As peças de trabalho de grandes dimensões tendem a vergar sobre o seu próprio peso. Devem ser

colocados apoios debaixo da peça de trabalho perto da linha de corte e da extremidade da peça a trabalho em ambos os lados do disco.

- f) **Tenha especial cuidado ao efectuar um corte directo em paredes ou noutras áreas em que não seja possível visualizar quaisquer itens ocultos dentro das mesmas.** O disco saliente poderá cortar a canalização de gás ou água, a cablagem eléctrica ou outros objectos que podem causar o efeito de coice.

Segurança eléctrica

Quando utilizar máquinas eléctricas, cumpra sempre os regulamentos de segurança aplicáveis ao seu país para reduzir o risco de incêndio, choque eléctrico e ferimentos. Leia as seguintes instruções de segurança, assim como as instruções de segurança fornecidas.



Verifique sempre se a tensão da fonte de alimentação corresponde à tensão indicada na placa com os requisitos de alimentação da ferramenta.



Máquina de classe II - Isolamento duplo - Não é necessário uma ficha com ligação à terra.

Se não for possível evitar trabalhar com uma ferramenta eléctrica num local húmido, utilize uma fonte de alimentação protegida por um dispositivo de corrente residual (DCR). A utilização de um DCR reduz o risco de choque eléctrico.

2. INFORMAÇÕES SOBRE A MÁQUINA

Utilização pretendida

A rebarbadora angular foi concebida para o desbaste de alvenaria e aço sem água. Para efectuar trabalhos de corte, deve utilizar um resguardo de protecção especial (não incluído)

Especificações técnicas

Modelo n.º	AGM1110P	AGM1112P	AGM1114P
Tensão do sector	220-240 V~		
Frequência de rede	50/60 Hz		
Alimentação	710 W		
Velocidade nominal	N ₀ 11.000/min		

Disco para desbaste			
Diâmetro	100 mm	115 mm	125 mm
Perfuração	16 mm	22 mm	22 mm
Veio com rosca	M10	M14	M14
Peso	1.98 kg	2 kg	2.05 kg
Pressão acústica (L_{PA})	86.4 + 3 dB(A)		
Potência acústica (L_{WA})	97.4 + 3 dB(A)		
Vibração "Desbaste de superfícies" $a_{h,AG}$	6.334 + 1.5 m/s ²		

Modelo n.º	AGM1111P	AGM1113P	AGM1115P
Tensão do sector	220-240 V~		
Frequência de rede	50/60 Hz		
Alimentação	850 W		
Velocidade nominal	N ₀ 11.000/min		

Disco para desbaste			
Diâmetro	100 mm	115 mm	125 mm
Perfuração	16 mm	22 mm	22 mm
Veio com rosca	M10	M14	M14
Peso	1.98 kg	2 kg	2.05 kg
Pressão acústica (L_{PA})	86.4 + 3 dB(A)		
Potência acústica (L_{WA})	97.4 + 3 dB(A)		
Vibração "Desbaste de superfícies" $a_{h,AG}$	6.334 + 1.5 m/s ²		

Nível de vibração

O nível de emissão de vibrações indicado neste manual de instruções foi medido de acordo com um teste padrão indicado em EN 60745; pode ser utilizado para comparar uma ferramenta com outra e como avaliação preliminar da exposição à vibração quando utilizar a ferramenta para as aplicações mencionadas

- utilizando a ferramenta para outras aplicações ou com outros acessórios com uma manutenção deficiente, pode aumentar consideravelmente o nível de exposição
- quando a ferramenta é desligada ou quando está a funcionar, mas não efectua o trabalho correctamente, pode reduzir consideravelmente o nível de exposição

Proteja-se contra os efeitos da vibração, através de uma manutenção da ferramenta e os respectivos acessórios, mantendo as mãos quentes e organizar os seus padrões de trabalho.

Descrição

Os números indicados no texto dizem respeito aos diagramas nas páginas 2-3

Fig. A

1. Botão de bloqueio do veio
2. Interruptor para ligar/desligar
3. Resguardo da protecção

Fig. B

8. Eixo
9. Flange de montagem
10. Disco (não incluído)
11. Porca de fixação
12. Chave de porcas
13. Pega lateral

Montagem



Antes de efectuar a montagem, desligue sempre a máquina e retire a ficha da tomada de corrente.

Montagem do resguardo de protecção (fig. A e B)

- Coloque a máquina em cima de uma mesa com o eixo (8) virado para cima.
- Coloque o resguardo de protecção (3) sobre a parte superior da máquina, como indicado na Figura B, certificando-se de que as arestas no resguardo de protecção encaixam nas ranhuras da parte superior da máquina.
- Rode o resguardo de protecção para a esquerda.



Nunca utilize a máquina sem o resguardo.

Montar e remover o disco (fig. B)

- Utilize sempre um disco adequado para esta máquina com um diâmetro de Ø100mm / Ø115mm / Ø125mm e uma perfuração de 16 / 22 / 22 mm. A espessura do disco deve ser de 6 mm para o disco e de 3 mm para o disco para corte, o disco de montagem não pode tocar no resguardo de segurança.

Montagem

- Coloque a máquina numa mesa com o resguardo de protecção (3) virado para cima.
- Monte a flange (9) no eixo (8).
- Coloque o disco (10) no eixo (8).
- Mantenha o botão de bloqueio do eixo (1) premido e aperte a porca de fixação (11) com firmeza no eixo (8) utilizando a chave de porcas (12).

Remoção

- Coloque a máquina numa mesa com o resguardo de protecção (3) virado para cima.
- Mantenha o botão de bloqueio do eixo (1) premido e solte a porca de fixação (11) utilizando a chave de porcas (12).
- Retire o disco (10) do eixo (8).
- Mantenha o botão de bloqueio do eixo (1) premido e aperte com firmeza a porca de fixação (11) utilizando a chave de porcas (12).

3. FUNCIONAMENTO



Certifique-se de que a peça a trabalhar está apoiada ou fixada correctamente e mantenha o cabo de alimentação afastado da área de trabalho.

Ligar e desligar (fig. A)

- Para ligar a máquina, prima o botão para ligar/desligar(5).
- Para desligar a máquina, liberte o interruptor para ligar/desligar (2).

Mantenha a máquina afastada da peça a trabalhar quando ligá-la e desligá-la porque o disco pode danificar a peça a trabalhar.

- Fixe a peça a trabalhar com firmeza ou utilize outro método para assegurar que não se desloca enquanto trabalha.
- Verifique os discos com regularidade. Os discos gastos têm um efeito negativo na eficiência da máquina. Coloque um novo disco quando for necessário.
- Desligue sempre a máquina depois de utilizá-la e antes de retirar a ficha da tomada.

Rebarbação (fig. C)

Um ângulo de inclinação de 30° a 40° permite obter os melhores resultados durante a rebarbação. Desloque a máquina para a frente e para trás utilizando uma pressão ligeira. Isto impede que a peça a trabalhar fique descolorada ou demasiado quente e evita a criação de ranhuras.



Nunca utilize discos abrasivos para trabalhos de rebarbação!

Corte (fig. D)

Para efectuar trabalhos de corte, deve utilizar um resguardo de protecção fechado especial (não incluído).

Mantenha um contacto firme com a peça a trabalhar para evitar vibrações e não incline nem aplique pressão e quando efectuar cortes. Utilize pressão moderada quando trabalhar e que seja adequada para o material que está a trabalhar. Não aplique contra-pressão para a esquerda para diminuir a velocidade. A direcção para a qual pretende fazer o corte é importante. A máquina deve sempre funcionar na direcção oposta do corte; por isso nunca mova a máquina na direcção contrária! Há o risco da máquina ficar presa no corte, causando coice e perda de controlo.

Sugestões para uma excelente utilização

- Fixe a peça a trabalhar. Utilize um dispositivo de fixação para peças a trabalhar pequenas.
- Segure a máquina com ambas as mãos.
- Ligue a máquina.
- Aguarde até a máquina atingir a velocidade máxima.
- Coloque o disco na peça a trabalhar.
- Mova a máquina lentamente ao longo da peça a trabalhar, premindo o disco com firmeza contra a peça a trabalhar.
- Não aplique demasiada pressão na máquina. Deixe a máquina fazer o trabalho.
- Deslize a máquina e aguarde até parar por completo antes de colocar a máquina no chão.

4. MANUTENÇÃO

Substituir a ficha (apenas no Reino Unido)

Se a ficha de 3 pinos moldada fixada no equipamento estiver danificada e for necessário substituí-la, é importante que seja destruída e substituída correctamente por uma ficha com fusível BS 1363/13A aprovada e que as instruções de ligação sejam seguidas. Os fios no cabo de rede têm várias cores, de acordo com o seguinte código:

azul neutro
castanho com corrente

Uma vez que as cores dos fios no cabo de rede do equipamento podem não corresponder às marcações de cores que identificam os terminais na ficha, proceda do seguinte modo:

- O fio azul deve ser ligado ao terminal assinalado com a letra N ou a preto.
- O fio castanho deve ser ligado ao terminal assinalado com a letra L ou a vermelho.



Antes de efectuar a limpeza e a manutenção, desligue sempre a máquina e retire a ficha da tomada de corrente.

Limpe a carcaça da máquina com regularidade com um pano macio, de preferência após cada utilização. Certifique-se de que as aberturas de ventilação não têm pó ou sujidade. Retire a sujidade muito persistente com um pano macio humedecido com água de sabão. Não utilize solventes, como gasolina, álcool, amoníaco, etc. Este tipo de produtos químicos danificam os componentes sintéticos.

Substituir os cabos de alimentação

Se o cabo de alimentação estiver danificado, deve ser substituído pelo fabricante, o respectivo agente de assistência ou técnicos devidamente qualificados para evitar uma situação de perigo.

Verificar e substituir as escovas de carbono

Se as escovas de carbono estiverem gastas, devem ser substituídas pelo departamento de assistência ao cliente do fabricante ou por técnico devidamente qualificado.



Utilize apenas escovas de carbono que correspondam ao tipo original.

AMBIENTE



Os aparelhos eléctricos ou electrónicos defeituosos e/ou eliminados devem ser recolhidos em locais de reciclagem adequados.

Apenas para os países da CE

Não elimine as ferramentas eléctricas em conjunto com os resíduos domésticos. De acordo com a directiva europeia 2012/19/EU sobre resíduos de equipamentos eléctricos e electrónicos e a respectiva implementação na legislação nacional, as ferramentas eléctricas que já não sejam utilizadas devem ser recolhidas em separado e eliminadas de maneira ecológica.

GARANTIA

As condições da garantia estão disponíveis no cartão da garantia fornecido em separado.

O equipamento e o manual do utilizador estão sujeitos a alterações sem aviso prévio.

As especificações podem ser alteradas sem aviso prévio.

SMERIGLIATRICE ANGOLARE

AGM1110P 710W 100mm
 AGM1111P 850W 100mm
 AGM1112P 710W 115mm
 AGM1113P 850W 115mm
 AGM1114P 710W 125mm
 AGM1115P 850W 125mm

Grazie per avere acquistato questo prodotto Ferm. Ora possiedi un prodotto eccellente, offerto da uno dei principali fornitori europei. Tutti i prodotti Ferm sono realizzati nel rispetto dei più rigorosi standard prestazionali e di sicurezza. Quale parte della nostra filosofia offriamo inoltre un servizio di assistenza ai clienti eccellente, supportato da una garanzia completa. Ci auguriamo che possiate utilizzare con soddisfazione questo prodotto per molti anni.

1. ISTRUZIONI DI SICUREZZA



AVVERTENZA

Leggere le avvertenze di sicurezza contenute nel presente manuale,

le avvertenze di sicurezza aggiuntive e le istruzioni. La mancata osservanza delle avvertenze di sicurezza e delle istruzioni potrebbe causare scosse elettriche, incendi e/o lesioni gravi. **Conservare le avvertenze di sicurezza e le istruzioni per una futura consultazione.**

I simboli riportati di seguito vengono utilizzati all'interno del manuale per l'utente oppure sono indicati sul prodotto:



Leggere il manuale per l'utente.



Denota il rischio di lesioni personali, morte o danni all'utensile in caso di mancata osservanza delle istruzioni contenute nel presente manuale.



Rischio di scosse elettriche



Staccare immediatamente la spina del cavo di alimentazione dalla presa di corrente se il cavo è danneggiato e durante le operazioni di pulizia e di manutenzione.



Rischio di oggetti volanti. Tenere lontano chiunque si trovi nelle vicinanze dall'area di lavoro.



Indossare sempre occhiali protettivi!
 Indossare protezioni per l'udito.



Indossare guanti di protezione.



Non premere il pulsante di blocco dell'albero con il motore in funzione.



Rischio di incendi.



Non smaltire il prodotto in contenitori non idonei.



Il prodotto è conforme alle norme di sicurezza vigenti ai sensi delle direttive europee.

Avvertenze di sicurezza specifiche per le operazioni di molatura o taglio abrasivo:

- Questo elettroutensile è inteso per l'uso come mola. Leggere tutte le avvertenze di sicurezza, le istruzioni, le illustrazioni e le specifiche tecniche fornite insieme a questo elettroutensile. La mancata osservanza delle avvertenze di sicurezza e delle istruzioni potrebbe causare scosse elettriche, incendi e/o lesioni gravi.**
- L'esecuzione di operazioni quali levigatura con abrasivi, spazzolatura e lucidatura con questo elettroutensile non è raccomandata.** L'esecuzione di operazioni non previste per l'elettroutensile potrebbe creare dei rischi e provocare lesioni personali.
- Non utilizzare accessori non progettati specificatamente e non raccomandati dal costruttore dell'elettroutensile. Il solo fatto che l'accessorio si attacchi all'elettroutensile non assicura la sicurezza operativa.**
- La velocità nominale dell'accessorio deve essere almeno pari alla velocità massima indicata sull'elettroutensile. Gli accessori che funzionano a una velocità superiore alla**

propria velocità nominale possono rompersi e staccarsi.

- e) **Il diametro esterno e lo spessore dell'accessorio devono rientrare nella capacità nominale dell'elettrotensile.** *Gli accessori di dimensioni non corrette non possono essere adeguatamente protetti o controllati.*
- f) **La filettatura degli accessori deve corrispondere al filetto del mandrino della smerigliatrice. Per gli accessori attaccati tramite flangia, il foro dell'albero dell'accessorio deve corrispondere al diametro della flangia.** *Gli accessori il cui sistema di attacco non corrisponde alla struttura di montaggio dell'elettrotensile si sbilanciano, vibrano eccessivamente e possono causare la perdita di controllo.*
- g) **Non utilizzare un accessorio danneggiato. Prima di ogni utilizzo controllare gli accessori per verificare ad esempio che sui dischi abrasivi non vi siano scheggiature e lesioni, che non siano presenti crepe o segni eccessivi di usura sul platello, che le spazzole metalliche non abbiano filamenti metallici staccati o spezzati.** *Se l'elettrotensile o l'accessorio cade, verificare gli eventuali danni o montare un accessorio integro. Dopo aver controllato e montato un accessorio, l'operatore e le altre persone eventualmente presenti devono sistemarsi lontano dal piano dell'accessorio rotante e l'elettrotensile deve essere fatto girare a vuoto alla massima velocità per un minuto. Gli accessori danneggiati normalmente si rompono durante questa fase di verifica.*
- h) **Indossare dispositivi di protezione individuale. A seconda delle operazioni da eseguire, utilizzare una maschera o occhiali protettivi. Se opportuno, indossare una maschera antipolvere, protezioni acustiche, guanti e un grembiule da lavoro in grado di arrestare frammenti abrasivi o di lavorazione di piccole dimensioni. Il dispositivo di protezione oculare deve impedire ai detriti volanti prodotti durante l'esecuzione delle varie lavorazioni di raggiungere gli occhi. La maschera antipolvere o il respiratore devono essere in grado di filtrare le particelle generate durante l'esecuzione delle varie lavorazioni.**

L'esposizione prolungata a rumori di elevata intensità può causare la perdita dell'udito.

- i) **Tenere le persone presenti a distanza di sicurezza dall'area di lavoro. Chiunque acceda all'area di lavoro deve indossare dispositivi di protezione individuale adeguati.** *Frammenti del pezzo da lavorare o di un accessorio rotto possono volare e causare danni o lesioni anche oltre l'immediata area di lavoro.*
- j) **Quando si eseguono operazioni in cui l'accessorio di taglio può entrare in contatto con fili elettrici nascosti o con il cavo di alimentazione dell'elettrotensile, tenerlo esclusivamente dalle impugnature, che sono isolate.** *Gli accessori da taglio che vengono a contatto con un cavo sotto tensione trasmettono la corrente elettrica anche alle parti metalliche esposte dell'elettrotensile con il pericolo di provocare la folgorazione dell'operatore.*
- k) **Posizionare il cavo di alimentazione lontano dall'accessorio rotante.** *In caso di perdita di controllo, il cavo potrebbe essere tagliato o impigliarsi, trascinando la mano o il braccio dell'operatore verso l'accessorio rotante.*
- l) **Non appoggiare mai l'elettrotensile finché l'accessorio non si sia completamente arrestato.** *L'accessorio rotante potrebbe fare presa sulla superficie e trascinare l'elettrotensile facendone perdere il controllo.*
- m) **Non accendere l'elettrotensile mentre lo si trasporta sul fianco.** *Un contatto accidentale con l'accessorio rotante potrebbe farlo impigliare agli indumenti dell'operatore trascinandolo verso il suo corpo.*
- n) **Pulire regolarmente le prese d'aria dell'elettrotensile.** *La ventola di raffreddamento del motore attira la polvere all'interno dell'alloggiamento e l'accumulo eccessivo di metallo polverizzato può causare rischi elettrici.*
- o) **Non utilizzare l'elettrotensile in prossimità di materiali infiammabili.** *Le scintille potrebbero incendiare tali materiali.*
- p) **Non utilizzare accessori che richiedono refrigeranti liquidi.** *L'utilizzo di acqua o altri liquidi refrigeranti può provocare elettrocuzione o scosse elettriche.*

Contraccolpo e relative avvertenze

Il contraccolpo è una reazione improvvisa provocata da un disco, un platorello, una spazzola o qualsiasi altro accessorio in rotazione che rimanga schiacciato o impigliato. Ciò provoca un arresto immediato dell'accessorio rotante che a sua volta causa la perdita di controllo dell'elettrotensile, che viene spinto nella direzione opposta rispetto alla rotazione dell'accessorio nel punto in cui è stato trattenuto. Ad esempio, se il disco abrasivo rimane schiacciato o impigliato dal pezzo da lavorare, il bordo del disco penetrato nel punto di schiacciamento può scavare nel materiale e causare lo scavalcamento o il contraccolpo del disco. Il disco può saltare sia verso l'operatore che in direzione opposta a seconda della direzione del movimento del disco nel punto di schiacciamento. In queste condizioni i dischi abrasivi possono anche rompersi. Il contraccolpo è il risultato di un uso errato dell'elettrotensile e/o di metodi o condizioni di lavoro scorretti e può essere evitato prendendo le appropriate precauzioni, come descritto di seguito.

- a) **Mantenere una presa salda sull'elettrotensile, posizionando il corpo e le braccia in modo da resistere alle forze di contraccolpo. Utilizzare sempre l'impugnatura ausiliaria, se presente, per avere il massimo controllo sulla forza di contraccolpo o sulla reazione di coppia durante l'avviamento.** *Con le necessarie precauzioni, l'operatore può controllare le reazioni di coppia e le forze di contraccolpo.*
- b) **Non porre mai le mani vicino all'accessorio in rotazione.** *L'accessorio potrebbe subire un contraccolpo rimbalzando sulle mani dell'operatore.*
- c) **Non posizionarsi nell'area verso cui potrebbe dirigersi l'elettrotensile in caso di contraccolpo.** *Il contraccolpo spinge l'elettrotensile nella direzione opposta al movimento del disco nel punto in cui si impiglia.*
- d) **Prestare particolare attenzione quando si lavorano angoli, estremità appuntite ecc. Evitare che l'accessorio rimbalzi o si impigli.** *Angoli, estremità appuntite o rimbalzi tendono a fare impigliare l'accessorio rotante, provocando la perdita di controllo o il contraccolpo dell'elettrotensile.*

- e) **Non collegare una lama da motosega per legno o una lama dentata.** *Queste lame creano contraccolpi e perdita di controllo frequenti.*

Avvertenze di sicurezza specifiche per le operazioni di smerigliatura o taglio abrasivo:

- a) **Utilizzare esclusivamente tipi di dischi raccomandati per il proprio elettrotensile e la protezione specifica per il disco selezionato.** *I dischi non concepiti per quell'elettrotensile non possono essere protetti adeguatamente e non sono sicuri.*
- b) **La superficie di smerigliatura dei dischi a centro depresso deve essere montata sotto al piano della linguetta della protezione.** *Non è possibile fornire una protezione adeguata a un disco non montato correttamente che sporge dal piano della linguetta della protezione.*
- c) **La protezione deve essere fissata saldamente all'elettrotensile e posizionata in modo da garantire la massima sicurezza, facendo sì che il disco sporga il meno possibile verso l'operatore.** *La protezione serve a proteggere l'operatore da frammenti del disco rotti, dal contatto accidentale con il disco e dalle scintille che potrebbero incendiare gli indumenti.*
- d) **I dischi devono essere usati solo per eseguire le lavorazioni per cui sono raccomandate.** *Per esempio, non molare utilizzando il disco dal lato di taglio. I dischi per taglio abrasivo sono progettati per la smerigliatura periferica. Forze laterali applicate a questi dischi possono causarne la frantumazione.*
- e) **Per i dischi utilizzare sempre flange non danneggiate, della dimensione e forma corretta per il disco scelto.** *Se le flange sono appropriate, sostengono il disco, riducendo la possibilità di rottura. Le flange per i dischi da taglio abrasivo possono essere diverse da quelle per i dischi da smerigliatura.*
- f) **Non utilizzare dischi usurati di elettrotensili più grandi.** *I dischi destinati ad elettrotensili più grandi non sono adatti alle maggiori velocità degli elettrotensili più piccoli e potrebbero spaccarsi.*

Avvertenze di sicurezza aggiuntive specifiche per le operazioni di taglio abrasivo:



Le operazioni di taglio abrasivo possono essere eseguite solo in presenza di una speciale protezione (non inclusa)

- a) **Non far incastrare il disco da taglio né applicare una pressione eccessiva. Non tentare di eseguire tagli troppo profondi.**
Eccessive sollecitazioni del disco ne aumentano il carico e la suscettibilità alla torsione o all'inceppamento nel taglio, con la possibilità di contraccolpi o di rotture.
- b) **Non posizionarsi con il corpo allineato al disco in rotazione e rimanere dietro di esso.** *Quando il disco si muove nella direzione di allontanamento dal corpo, il possibile contraccolpo potrebbe la mola in rotazione e l'elettrotensile direttamente verso di sé.*
- c) **Quando il disco si inceppa o quando un taglio si interrompe per qualsiasi ragione, spegnere l'elettrotensile e tenerlo immobile fino al suo completo arresto. Non tentare mai di rimuovere il disco da taglio mentre è in movimento, altrimenti potrebbe verificarsi un contraccolpo.** *Esaminare e intraprendere azioni correttive per eliminare le cause che inceppano la lama.*
- d) **Non riprendere il taglio nel pezzo in lavorazione. Far raggiungere la massima velocità al disco e poi rientrare con attenzione nel taglio.** *Se l'elettrotensile viene riavviato quando è ancora dentro al pezzo in lavorazione il disco potrebbe incepparsi, scavalcare il pezzo o subire un contraccolpo.*
- e) **Pannelli o altri pezzi di grandi dimensioni devono essere sorretti per ridurre al minimo il rischio che la mola si schiacci o subisca un contraccolpo.** *I pezzi più grandi tendono a incurvarsi sotto il loro stesso peso. È opportuno collocare dei supporti sotto al pezzo da entrambi i lati, vicino la linea di taglio e alle estremità del pannello, da entrambi i lati del disco.*
- f) **Prestare ancora più attenzione quando si eseguono "tagli a tuffo" all'interno di pareti esistenti o di altre aree cieche.** *La parte*

sporgente del disco potrebbe tagliare tubi del gas o dell'acqua, cavi elettrici od oggetti che possono provocare un contraccolpo.

Sicurezza elettrica

Quando si utilizzano apparecchi elettrici, osservare sempre le norme di sicurezza vigenti nel proprio paese per ridurre il rischio di incendi, scosse elettriche e lesioni personali. Leggere le istruzioni di sicurezza riportate di seguito oltre a quelle allegate al presente manuale.



Verificare sempre che la tensione della rete di alimentazione corrisponda al valore riportato sulla targhetta dei valori nominali dell'elettrotensile.



Apparecchio di Classe II - Doppio isolamento - Non è necessario il collegamento a terra.

Se non è possibile evitare l'uso di un elettrotensile in ambiente umido, usare una rete di alimentazione protetta da un interruttore differenziale (salvavita). L'uso di un salvavita riduce il rischio di scosse elettriche.

2. INFORMAZIONI RELATIVE ALL'APPARECCHIO

Uso previsto

Questa smerigliatrice angolare è stata progettata per la smerigliatura di muratura e acciaio senza l'uso di acqua. Per le operazioni di taglio deve essere utilizzata una protezione speciale (non inclusa).

Dati tecnici

Numero modello	AGM1110P	AGM1112P	AGM1114P
Tensão do sector	220-240 V~		
Frequência de rede	50/60 Hz		
Alimentação	710 W		
Velocidade nominal	N ₀ 11.000/min		
Disco da smerigliatura			
Diametro est.	100 mm	115 mm	125 mm
Diametro int.	16 mm	22 mm	22 mm

Spessore	M10	M14	M14
Peso	1.98 kg	2 kg	2.05 kg
Pressione sonora (L_{PA})	86.4 + 3 dB(A)		
Potenza sonora (L_{WA})	97.4 + 3 dB(A)		
Vibrazioni "smerigliatura di superficie" $a_{h,AG}$	6.334 + 1.5 m/s ²		

Numero modello	AGM1111P	AGM1113P	AGM1115P
Tensão do sector	220-240 V~		
Frequência de rede	50/60 Hz		
Alimentação	850 W		
Velocidade nominal	N ₀ 11.000/min		
Disco da smerigliatura			
Diametro est.	100 mm	115 mm	125 mm
Diametro int.	16 mm	22 mm	22 mm
Spessore	M10	M14	M14
Peso	1.98 kg	2 kg	2.05 kg
Pressione sonora (L_{PA})	86.4 + 3 dB(A)		
Potenza sonora (L_{WA})	97.4 + 3 dB(A)		
Vibrazioni "smerigliatura di superficie" $a_{h,AG}$	6.334 + 1.5 m/s ²		

Livello di emissione di vibrazioni

Il livello di emissione di vibrazioni indicato nel presente manuale d'istruzioni è stato misurato in base al test standardizzato previsto dalla normativa EN 60745; può essere utilizzato per confrontare vari apparecchi fra loro e come valutazione preliminare dell'esposizione alle vibrazioni quando si utilizza l'utensile per le applicazioni menzionate.

- L'uso dell'utensile per applicazioni o con accessori diversi o in condizioni di scarsa manutenzione, potrebbe aumentare notevolmente il livello di esposizione a vibrazioni.
- I momenti in cui l'utensile è spento o quando è acceso ma non viene utilizzato potrebbero ridurre sensibilmente il livello di esposizione a vibrazioni.

Protegersi contro gli effetti delle vibrazioni sottoponendo l'utensile e i relativi accessori a regolare manutenzione, evitare il raffreddamento delle mani, organizzare opportunamente i turni di lavoro.

Descrizione

I numeri che compaiono nel testo si riferiscono agli schemi riportati alle pagine 2-3.

Fig. A

1. Pulsante di blocco mandrino
2. Interruttore on/off
3. Protezione

Fig. B

8. Mandrino
9. Flangia di montaggio
10. Disco (nonincluso)
11. Dado di serraggio
12. Chiave
13. Maniglia laterale

Montaggio



Prima del montaggio spegnere sempre l'elettro utensile e staccare la spina dalla presa di corrente.

Montaggio della protezione (Fig. A e B)

- Appoggiare l'elettro utensile su un tavolo con il mandrino (8) rivolto verso l'alto.
- Collocare la protezione (3) sopra la testa dell'elettro utensile, come illustrato nella Figura B, assicurandosi che i bordi in rilievo sulla protezione si incastrino nelle tacche della testa dell'elettro utensile
- Ruotare la protezione in senso antiorario come illustrato nella Figura D e serrare la levetta di sgancio della protezione (3).



Non tentare mai di rimuovere la protezione.

Inserimento e rimozione del disco (Fig. B)

- Utilizzare sempre un disco adatto per questo elettro utensile, con un diametro esterno di Ø100mm / Ø115mm / Ø125mm e un diametro interno di 16 / 22 / 22 mm. Lo spessore del disco da smerigliatura deve essere di 6 mm mentre quello del disco da taglio deve essere di 3 mm. Il disco non deve toccare la protezione di sicurezza.

Inserimento

- Appoggiare l'elettrotensile su un tavolo con la protezione (3) rivolta verso l'alto.
- Inserire la flangia (9) sul mandrino (8).
- Collocare il disco (10) sul mandrino (8).
- Mantenere premuto il pulsante di blocco del mandrino (1) e stringere saldamente il dado di serraggio (11) sul mandrino (8) con la chiave (12).

Rimozione

- Appoggiare l'elettrotensile su un tavolo con la protezione (3) rivolta verso l'alto.
- Mantenere premuto il pulsante di blocco del mandrino (1) e allentare il dado di serraggio (11) con la chiave (12).
- Rimuovere il disco (10) dal mandrino (8).
- Mantenere premuto il pulsante di blocco del mandrino (1) e stringere saldamente il dado di serraggio (11) con la chiave (12).

3. UTILIZZO



Assicurarsi che il pezzo da lavorare sia adeguatamente sostenuto e fissato e mantenere il cavo di alimentazione lontano dall'area di lavoro.

Accensione e spegnimento (Fig. A)

- Per accendere l'elettrotensile rilasciare l'interruttore On/Off (2).
- Per spegnere l'elettrotensile rilasciare l'interruttore On/Off (2).

Quando si accende o si spegne l'elettrotensile, mantenerlo lontano dal pezzo da lavorare, perché il disco potrebbe danneggiarlo.

- Bloccare saldamente il pezzo da lavorare in una morsa oppure utilizzare un altro metodo per fare in modo che rimanga fermo durante la lavorazione.
- Verificare regolarmente le condizioni dei dischi. I dischi usurati incidono negativamente sull'efficienza dell'elettrotensile. Sostituire i dischi in tempo utile.
- Dopo l'uso spegnere subito l'elettrotensile prima di staccare la spina dalla presa di corrente.

Sbavatura (Fig. C)

Un angolo d'inclinazione di 30-40° darà i migliori risultati durante l'operazione di sbavatura. Spostare l'elettrotensile indietro e avanti esercitando una leggera pressione. In questo modo si eviterà che il pezzo da lavorare si scolori o si riscaldi troppo e che si formino scanalature.



Non utilizzare dischi da taglio abrasivo per l'operazione di sbavatura.

Taglio (Fig. D)

Per le operazioni di taglio deve essere utilizzata una protezione speciale (non inclusa). Mantenere una presa salda sul pezzo da lavorare per prevenire vibrazioni e non inclinare l'elettrotensile o esercitare pressione durante il taglio. Durante la lavorazione applicare una pressione moderata, adatta al materiale sul quale si sta lavorando. Non frenare i dischi applicando una contropressione laterale. La direzione in cui si desidera eseguire il taglio è importante. L'elettrotensile deve sempre funzionare nella direzione opposta a quella del taglio, perciò non muovere mai l'elettrotensile nell'altra direzione! Vi è il rischio che l'elettrotensile si incagli nel taglio provocando un contraccolpo e la conseguente perdita di controllo.

Suggerimenti per un utilizzo ottimale

- Bloccare il pezzo da lavorare in una morsa. Utilizzare un morsetto per i pezzi di piccole dimensioni.
- Tenere l'elettrotensile con entrambe le mani.
- Accendere l'elettrotensile.
- Attendere che l'elettrotensile raggiunga la velocità piena.
- Posizionare il disco sul pezzo da lavorare.
- Muovere lentamente l'elettrotensile lungo il pezzo da lavorare, premendo con decisione il disco contro il pezzo.
- Non esercitare troppa pressione sull'elettrotensile. Lasciare che l'elettrotensile svolga il lavoro.
- Spegnere l'elettrotensile e attendere che si arresti completamente prima di appoggiarlo.

4. MANUTENZIONE

Sostituzione della spina (solo per il Regno Unito)

Se la spina tripolare stampata attaccata al cavo di alimentazione dell'elettrotensile è danneggiata e deve essere sostituita, è importante che sia correttamente demolita e sostituita con una spina fusa BS 1363/7A omologata e che si seguano le seguenti istruzioni per il collegamento dei fili elettrici. I fili all'interno del cavo di alimentazione sono colorati in base al seguente codice:

blu neutro
marrone sotto tensione

Poiché i colori dei fili all'interno del cavo di alimentazione potrebbero non corrispondere alle marcature colorate che identificano i terminali nella spina, procedere come segue:

- il filo blu deve essere collegato al terminale contrassegnato con la lettera N o di colore nero;
- il filo marrone deve essere collegato al terminale contrassegnato con la lettera L o di colore rosso.



Prima di eseguire qualsiasi operazione di pulizia e intervento di manutenzione spegnere sempre l'elettrotensile e staccare la spina dalla presa di corrente.

Pulire regolarmente il corpo dell'elettrotensile con un panno morbido, preferibilmente dopo ogni uso. Assicurarsi che le prese d'aria siano libere da polvere e sporczia. Rimuovere lo sporco particolarmente ostinato con un panno morbido inumidito con acqua e sapone. Non utilizzare solventi come benzina, alcol, ammoniaca, ecc. Le sostanze chimiche di questo tipo danneggiano i componenti sintetici.

Sostituire il cavo di alimentazione

Se il cavo di alimentazione è danneggiato, deve essere sostituito dal costruttore, da un suo rappresentante addetto all'assistenza o da altre persone con qualifica simile al fine di evitare rischi per la sicurezza.

Spazzole in carbonio

Se le spazzole in carbonio sono usurate, devono essere sostituite da un operatore del servizio di assistenza del costruttore o da un'altra persona con qualifica simile.



Utilizzare esclusivamente spazzole in carbonio originali.

RISPETTO AMBIENTALE



Le apparecchiature elettriche o elettroniche difettose e/o scartate devono essere raccolte presso gli opportuni siti di riciclaggio.

Solo per i Paesi CE

Non smaltire gli elettrotensili insieme ai rifiuti domestici. Secondo la Direttiva europea 2002/96/EC sui rifiuti delle apparecchiature elettriche ed elettroniche e relativa implementazione nelle normative locali, gli elettrotensili ormai inutilizzabili devono essere raccolti separatamente e smaltiti in modo ecologico.

GARANZIA

Le condizioni della garanzia possono essere consultate sul foglio di garanzia separato allegato al presente manuale.

Il prodotto e il manuale per l'utente sono soggetti a modifiche. I dati tecnici possono essere modificati senza ulteriore notifica.

VINKELSLIP

AGM1110P 710W 100mm

AGM1111P 850W 100mm

AGM1112P 710W 115mm

AGM1113P 850W 115mm

AGM1114P 710W 125mm

AGM1115P 850W 125mm

Tack för att du har köpt denna Fermprodukt. Genom att göra så har du nu en utmärkt produkt, levererad av en av Europas ledande leverantörer. Alla produkter som Ferm levererar till dig tillverkas enligt de högsta standarderna för prestanda och säkerhet. Som en del av vår filosofi tillhandahåller vi också utmärkt kundtjänst som täcks av vår omfattande garanti. Vi hoppas att du kommer att ha glädje av denna produkt i många år framöver.

1. SÄKERHETSANVISNINGAR



VARNING

Läs de medföljande säkerhetsvarningarna, de kompletterande säkerhetsvarningarna och anvisningarna.

Underlåtenhet att följa säkerhetsvarningarna och anvisningarna kan orsaka elstöt, brand och/eller allvarlig skada. **Spara säkerhetsvarningarna och anvisningarna för framtida bruk.**

Följande symboler används i användarhandboken eller på produkten:



Läs användarhandboken.



Anger risk för personskada, dödsfall eller skada på verktyget om anvisningarna i denna handbok inte följs.



Risk för elstöt



Ta genast ut strömkontakten från strömkällan om strömkabeln skadas samt vid rengöring och underhåll.



Risk för flygande föremål. Håll kringstående borta från arbetsområdet.



Använd alltid ögonskydd!
Använd hörselskydd.



Använd skyddshandskar.



Tryck inte på spindellåsknappen när motorn är igång.



Risk för brand.



Kassera inte produkten i olämpliga containrar.



Produkten uppfyller gällande säkerhetsnormer i EU-direktiven.

Säkerhetsvarningar gemensamma för slipning och kapslipning:

- Detta elverktyg är avsett att användas som ett slipverktyg. Läs alla säkerhetsvarningar, anvisningar, illustrationer och specifikationer som medföljer detta elverktyg. Underlåtenhet att följa alla anvisningar som anges nedan kan resultera i elstöt, brand och/eller allvarlig skada.
- Det rekommenderas att sandning, stålborstning och polering inte utförs med detta elverktyg. Användning av elverktyget i andra syften än det avsedda kan medföra fara och orsaka personskada.
- Använd inte tillbehör som inte specifikt har utformats och rekommenderats av verktygstillverkaren. Bara för att tillbehöret kan användas med ditt elverktyg innebär det inte att det är säkert.
- Tillbehörets nominella varvtal får inte vara högre än det högsta varvtalet som anges på elverktyget. Tillbehör som körs med högre varvtal än det nominella varvtalet kan gå sönder och flyga isär.
- Ditt tillbehörs yttre diameter och tjocklek måste vara i enlighet med ditt elverktygs kapacitetsklassning. Tillbehör av felaktig storlek kan inte skyddas och kontrolleras i tillräcklig utsträckning.
- Tillbehör med gänginsats måste passa exakt till slippindelns gänga. Om tillbehör monteras med fläns måste tillbehörets håldiameter passa till flänsens infästningsdiameter. Tillbehör som inte passar elverktygets monteringshårdvara

kommer att vara i obalans och vibrera för mycket, vilket kan leda till att du förlorar kontrollen.

- g) **Använd inte ett skadat tillbehör. Inspektera slipskivor och slipplattor för flisor, sprickor och slitage samt stålborsten för lösa eller spruckna ledningar före användning. Om elverktyget eller ett tillbehör tappas, inspektera det för skador eller installera ett oskadat tillbehör. Efter inspektion och installation av ett tillbehör, håll dig själv och kringstående borta från det roterande tillbehörets rotationsplan och kör verktyget med maximalt tomgångsvarvtal i en minut. Skadade tillbehör faller normalt sönder under denna testtid.**
- h) **Bär personlig skyddsutrustning. Använd ansiktsmask eller skyddsglasögon beroende på tillämpning. Bär dammask, hörselskydd, handskar och skyddsförkläde som kan stoppa små bitar av slipmaterial och arbetsstycken.** Ögonskyddet måste kunna stoppa flygande flisor som skapas vid olika tillämpningar. Dammasken eller andningsmasken måste kunna filtrera partiklar som skapas vid ditt arbete. Lång exponering för buller kan orsaka hörselnedsättning.
- i) **Håll kringstående på ett säkert avstånd från arbetsområdet. Alla som befinner sig på arbetsområdet måste bära skyddsutrustning.** Bitar av arbetsstycken eller trasiga tillbehör kan flyga iväg och orsaka skada även bortom arbetsområdets omedelbara närhet.
- j) **Håll endast elverktyget i de isolerade greppsyrtorna när du utför arbete där skärtillbehör kan komma i kontakt med dolda ledningar eller den egna sladden.** Skärtillbehör som kommer i kontakt med en strömförande ledning kan orsaka att elverktygets synliga metalldelar blir strömförande och ger användaren en elstö. t.
- k) **Håll sladden borta från det roterande tillbehöret.** Om du förlorar kontrollen kan sladden kapas eller fastna och din hand eller arm kan dras in i det roterande tillbehöret.
- l) **Lägg aldrig ifrån dig elverktyget före tillbehöret har stannat helt.** Det roterande tillbehöret kan få tag i ytan och dra med sig elverktyget så att du förlorar kontrollen.
- m) **Låt inte elverktyget vara igång när du bär det vid din sida.** Det roterande tillbehöret kan

oavsiktligt fastna i dina kläder och dra verktyget mot din kropp.

- n) **Rengör ditt elverktygs luftventiler regelbundet.** Motorns fläkt drar in damm i huset och stor ansamling av metalldamm kan orsaka elfara.
- o) **Använd inte elverktyget nära lättantändliga material.** Gnistor kan antända sådana material.
- p) **Använd inte tillbehör som kräver kylvåtskor.** Användning av vatten eller andra kylvåtskor kan resultera i elstöt eller elchock.

Rekyl och relaterade varningar

Rekyl är en plötslig reaktion på en klämd eller fastkörd roterande skiva, slipplatta, borste eller något annat tillbehör. Klämning eller fastkörning orsakar snabb överstegring hos det roterande tillbehöret, vilket i sin tur tvingar det okontrollerade elverktyget i motsatt riktning mot tillbehörets rotation vid punkten där det kommer i kläm. Om en slipskiva till exempel fastnar eller kläms fast i arbetsstycket kan skivans kant som går in i en klämpunkt gräva in sig i materialets yta, vilket kan orsaka att skivan går av. Skivan kan antingen hoppa mot eller från användaren, beroende på skivans rörelseriktning vid punkten där det fastnar. Slipskivor kan också gå sönder under dessa förhållanden. Rekyl är ett resultat av verktygsmissbruk och/eller felaktiga arbetsprocedurer eller förhållanden och kan undvikas genom tillämpning av försiktighetsåtgärderna som beskrivs nedan.

- a) **Ha ett stadigt grepp om elverktyget och placera din kropp och arm på ett sätt som gör att du ta upp rekylkrafterna. Använd alltid stödhandtag om sådana finns för maximal kontroll över rekyl- och momentreaktioner under igångsättning.** Användaren kan ha kontroll över momentreaktioner och rekylkrafter om rätt försiktighetsåtgärder vidtas.
- b) **Placera aldrig din hand nära det roterande tillbehöret.** Tillbehöret kan rekylera över din hand.
- c) **Placera inte din kropp i området dit elverktyget kommer att röra sig i händelse av rekyl.** Rekylkraften driver verktyget i motsatt riktning mot slipskivans rörelse vid punkten där det fastnar.
- d) **Var särskilt försiktig när du bearbetar hörn, skarpa kanter osv. Undvik att låta**

tillbehöret studsa eller fastna. Hörn, skarpa kanter och studsning har en tendens att få det roterande tillbehöret att fastna och orsaka förlust av kontroll eller rekyll.

- e) **Montera inte en sågkedja för träkarvning eller ett tandat sågblad. Sådana blad orsakar ofta rekyll och förlust av kontroll.**

Särskilda säkerhetsvarningar för slipning och kapslipning:

- a) **Använd endast skivtyper som rekommenderas för ditt elverktyg och skyddsvakter som har utformats för vald skiva. Skivor som inte har utformats för elverktyget kan inte skyddas i tillräcklig utsträckning och de är osäkra.**
- b) **Skålade slipskivor måste monteras så att skivans sliptyta inte skjuter ut över skyddskantens plan. En felaktigt monterad skiva som skjuter ut över skyddskantens plan kan inte skyddas i tillräcklig utsträckning.**
- c) **Skyddsvakten måste säkras till elverktyget och placeras så att så lite som möjligt av skivan exponeras mot användaren för maximal säkerhet. Skyddsvakten skyddar användaren från bitar av trasiga skivor, oavsiktlig kontakt med skivor och gnistor som kan antända kläder.**
- d) **Skivor får endast användas för rekommenderade tillämpningar. Slipa till exempel inte med sidan av en kapskiva. Kapskivor med slipfunktion är avsedda för perifer slipning. Om de utsätts för sidotryck kan de brytas sönder.**
- e) **Använd alltid oskadade skivflänsar av rätt storlek och form för din valda skiva. Rätt skivflänsar stödjer skivan och detta minskar risken för att skivan går sönder. Flänsarna för kapskivor kan skilja sig från flänsarna för slipskivor.**
- f) **Använd inte utslitna skivor från större elverktyg. Skivor avsedda för större elverktyg är inte lämpliga för högre varvtal med mindre verktyg. De kan gå sönder.**

Kompletterande säkerhetsvarningar för kapslipning:



Kapning är endast lämplig med en särskild skyddsvakt (ingår inte).

- a) **Se till att kapskivan inte kommer i kläm och utsätt den inte för högt tryck. Försök inte skära för djupt. Om skivan påfrestas för mycket kan den överbelastas. Risken ökar då för att den snedvrids eller kommer i kläm, orsakar rekyll eller att skivan går sönder.**
- b) **Placera inte din kropp framför och bakom den roterande skivan. Om skivan rör sig bort från din kropp när elverktyget är igång kan det slungas direkt mot dig i händelse av rekyll.**
- c) **Om skivan kommer i kläm eller arbetet avbryts av någon anledning, koppla från elverktyget och håll det stadigt tills skivan stannar helt. Försök aldrig dra ut den roterande kapskivan ur skärspåret då detta kan leda till rekyll. Undersök anledningen för inklämningen och vidta korrigerande åtgärder.**
- d) **Starta inte om kapningen om elverktyget är i arbetsstycket. Låt skivan uppnå fullt varvtal och för försiktigt in den i skärspåret. I annat fall kan skivan klämmas fast, hoppa ur arbetsstycket eller orsaka rekyll.**
- e) **Stöd paneler och stora arbetsstycken för att minimera risken för att skivor kläms fast och för rekyll. Stora arbetsstycken tenderar att ge efter till följd av deras egenvikt. Stöd måste därför placeras under arbetsstycket, nära skärspåret och vid kanten, på båda sidor om skivan.**
- f) **Var särskilt försiktig vid "fickkapning" i befintliga väggar eller andra dolda områden. Den utstående skivan kan kapa gas- eller vattenledningar, elledning eller föremål som kan orsaka rekyll.**

Elsäkerhet

Följ alltid säkerhetsföreskrifterna som gäller i ditt land när du arbetar med elverktyg för att minska risken för brand, elstöt och personskada. Läs följande säkerhetsanvisningar och även de medföljande säkerhetsanvisningarna.



Kontrollera alltid att strömspänningen motsvarar spänningen som anges på märketiketten.



Klass II-maskin - dubbel isolering - du behöver ingen jordad kontakt.

Använd jordfelskydd (RCD) om arbete med ett elverktyg i fuktig miljö är oundvikligt. Användning av RCD minskar risken för elstöt.

2. MASKININFORMATION

Avsedd användning

Din vinkelslip har utformats för slipning av murverk och stålmaterial utan användning av vatten. Vid kapning måste en särskild skyddsvakt användas (ingår inte).

Tekniska specifikationer

Modellnr	AGM1110P	AGM1112P	AGM1114P
Strömspanning	220-240 V~		
Strömeffekt	50/60 Hz		
Ineffekt	710 W		
Nominellt varvtal	N ₀ 11.000/min		
Slipskiva			
Diameter	100 mm	115 mm	125 mm
Hål	16 mm	22 mm	22 mm
Spindelgänga	M10	M14	M14
Vikt	1.98 kg	2 kg	2.05 kg
Ljudtryck (L _{PA})	86.4 + 3 dB(A)		
Ljudeffekt (L _{WA})	97.4 + 3 dB(A)		
Vibration "yt slipning" a _{h,AG}	6.334 + 1.5 m/s ²		

Modellnr	AGM1111P	AGM1113P	AGM1115P
Strömspanning	220-240 V~		
Strömeffekt	50/60 Hz		
Ineffekt	850 W		
Nominellt varvtal	N ₀ 11.000/min		
Slipskiva			
Diameter	100 mm	115 mm	125 mm
Hål	16 mm	22 mm	22 mm
Spindelgänga	M10	M14	M14
Vikt	1.98 kg	2 kg	2.05 kg

Ljudtryck (L _{PA})	86.4 + 3 dB(A)
Ljudeffekt (L _{WA})	97.4 + 3 dB(A)
Vibration "yt slipning" a _{h,AG}	6.334 + 1.5 m/s ²

Vibrationsnivå

Vibrationsutsläppsnivån som anges i denna bruksanvisning har uppmätts i enlighet med ett standardiserat test i EN 60745, som kan användas för att jämföra verktyg med varandra och som en preliminär bedömning av exponering för vibrationer när du använder verktyget för angivna arbeten

- användning av verktyget för andra tillämpningar, eller med olika eller dåligt underhållna tillbehör kan avsevärt öka exponeringsnivån
- de gånger då verktyget stängs av eller är på men egentligen inte används kan minska exponeringsnivån betydligt.

Skydda dig mot effekterna av vibrationer genom att underhålla verktyget och dess tillbehör, hålla händerna varma och organisera ditt arbetsmönster.

Beskrivning

Siffrorna i texten hänvisar till diagrammen på sidorna 2-3

Fig. A

1. Spindellåsknapp
2. Växelbrytare
3. Skyddsvakt

Fig. B

8. Spindel
9. Monteringsfläns
10. Slipskiva (ingår inte)
11. Spännmutter
12. Skiftnyckel
13. Sidohandtag

Montering



Stäng alltid av maskinen och ta ut strömkontakten från strömkällan innan montering.

Montering av skyddsvakten (fig. A och B)

- Placera maskinen på ett bord med spindeln (8) pekandes uppåt.

- Placera skyddsvakten (3) över maskinhuvudet enligt figur B. Se till att skyddsvaktens räfflor faller in i maskinhuvudets skåror.
- Vrid skyddsvakten moturs.



Försök aldrig använda maskinen utan skyddsvakten.

Montering och borttagning av skiva (fig. B)

- Använd alltid lämpliga slipskivor med denna maskin med diametern Ø100mm / Ø115mm / Ø125mm samt håll från 16 / 22 / 22 mm. Skivans tjocklek ska vara 6 mm för slipskivor och 3 mm för kapskivor. Den monterade slipskivan får inte vidröra skyddsvakten.

Montering

- Placera maskinen på ett bord med skyddsvakten (3) pekandes uppåt.
- Montera flänsen (9) på spindeln (8).
- Placera slipskivan (10) på spindeln (8).
- Håll spindellåsknappen (1) nedtryckt och dra åt spännmuttern (11) ordentligt på spindeln (8) med skiftnyckeln (12).

Borttagning

- Placera maskinen på ett bord med skyddsvakten (3) pekandes uppåt.
- Håll spindellåsknappen (1) nedtryckt och lossa spännmuttern (11) med skiftnyckeln (12).
- Ta bort slipskivan (10) från spindeln (8).
- Håll spindellåsknappen (1) nedtryckt och dra åt spännmuttern (11) ordentligt med skiftnyckeln (12).

3. ANVÄNDNING



Se till att arbetsstycket får tillräckligt stöd och att det är fixerat och håll strömsladden borta från arbetsområdet.

Igångsättning och avstängning (fig. A)

- Tryck samtidigt på växelbrytaren (2) för att sätta igång maskinen.
- Frigör växelbrytaren (2) för att stänga av maskinen.

Håll maskinen borta från arbetsstycket när du sätter igång den och stänger av den eftersom slipskivan kan skada arbetsstycket.

- Spänn fast arbetsstycket ordentligt eller se på annat sätt till att arbetsstycket inte kan flytta sig under bearbetningen.
- Kontrollera skivorna regelbundet. Slitna slipskivor påverkar maskinens effektivitet negativt. Byt till ny slipskiva i god tid.
- Stäng alltid av maskinen efter användning innan du tar ut kontakten från uttaget.

Gradning (fig. C)

En lutningsvinkel på 30° till 40° ger bästa gradningsresultat. Rör maskinen fram och tillbaka under lätt tryck. Detta förhindrar att arbetsstycket missfärgas eller blir för varmt och att spår skapas.



Använd aldrig kapskivor med slipfunktion vid gradning!

Kapning (fig. D)

Vid kapning måste en särskild skyddsvakt användas (ingår inte).

Upprätthåll stadig kontakt med arbetsstycket för att undvika vibrationer. Luta inte och anbringa inte tryck vid kapning. Använd lätt tryck vid bearbetning, lämpligt för materialet som du arbetar med. Sakta inte ner kapskivor genom att anbringa sidledes mottryck. Kapningsriktningen är viktig. Maskinen måste alltid arbeta mot kapningsriktningen. Flytta aldrig maskinen i motsatt riktning! Det finns en risk för att maskinen fastnar i skärspåret och orsakar en rekyl, vilket kan göra att du förlorar kontrollen.

Tips för optimal användning

- Spänn fast arbetsstycket. Använd en spännehet för små arbetsstycken.
- Håll maskinen med båda händerna.
- Sätt igång maskinen.
- Vänta tills maskinen har uppnått full hastighet.
- Placera slipskivan på arbetsstycket.
- Rör sakta maskinen längs arbetsstycket genom att stadigt trycka slipskivan mot det.
- Tryck inte maskinen för hårt. Låt maskinen göra arbetet.
- Stäng av maskinen och vänta tills maskinen står helt still innan du lägger ifrån dig den.

4. UNDERHÅLL

Byte av strömkontakt (endast Storbritannien)

Om den gjutna 3-stiftskontakten som medföljer enheten skadas och behöver bytas är det viktigt att den förstörs på rätt sätt och byts mot en godkänd BS 1363/7A-säkringskontakt och att följande kabeldragningsanvisningar följs. Ledningarna i strömkabeln är färgkodade enligt följande:

blå neutral
brun strömförande

Gör så här eftersom färgerna på ledningarna i strömkabeln kanske inte motsvarar färgmarkeringarna som identifierar terminalerna i kontakten:

- Ledningen som är blåfärgad måste anslutas till terminalen som är markerad med bokstaven N eller som är svartfärgad.
- Ledningen som är brunfärgad måste anslutas till terminalen som är markerad med bokstaven L eller som är rödfärgad.



Stäng alltid av maskinen och ta ut strömkontakten från strömkällan innan rengöring och underhåll.

Rengör maskinen hus regelbundet med en mjuk trasa, helst efter varje gång du använder maskinen. Se till att ventilationsöppningarna är fria från damm och smuts. Ta bort mycket ihållande smuts med en mjuk trasa fuktad med tvållösning. Använd inte lösningsmedel som bensin, alkohol, ammoniak osv. Sådana kemikalier skadar de syntetiska komponenterna.

Byte av strömsladdar

Om en strömsladd är skadad måste den bytas av tillverkaren, tillverkarens serviceombud eller liknande kvalificerad personal för att undvika fara.

Kontroll och byte av kolborstar

Om kolborstarna är slitna måste de bytas av tillverkarens kundtjänstavdelning eller liknande kvalificerad personal.



Använd endast rätt kolborstar av originaltyp.

MILJÖ



Felaktig och/eller kasserad elektrisk eller elektronisk utrustning måste lämnas in på lämpliga återvinningsstationer.

Endast för EU-länder

Kassera inte elverktyg i hushållsavfall. Enligt den europeiska riktlinjen 2012/19/EU om kasserad elektrisk och elektronisk utrustning och dess tillämpning i nationell rätt måste elverktyg som inte längre är användbara samlas in separat och kasseras på ett miljövänligt sätt.

GARANTI

Garantivillkoren finns på separat medföljande garantikort.

Produkten och användarhandboken kan ändras. Specifikationerna kan ändras utan förvarning.

KULMAHIOMAKONE

AGM1110P 710W 100mm

AGM1111P 850W 100mm

AGM1112P 710W 115mm

AGM1113P 850W 115mm

AGM1114P 710W 125mm

AGM1115P 850W 125mm

Kiitämme tämän Ferm-tuotteen hankkimisesta. Olette hankkineet erinomaisen tuotteen, jonka tarjoaa yksi Euroopan johtavista toimittajista. Kaikki Fermiin valmistamat tuotteet on valmistettu korkeimpien suorituskykyä ja turvallisuutta koskevien standardien mukaisesti. Osana filosoфияamme tarjoamme myös korkealuokkaisen asiakaspalvelun sekä kaiken kattavan takuun. Toivomme, että nautitte tämän tuotteen käytöstä monien vuosien ajan.

1. TURVALLISUUSOHJEET



VAROITUS

Lue tämän ohjekirjan varoitukset, lisäturvallisuusohjeet ja ohjeet.

Jos turvallisuusvaroituksia ja ohjeita ei noudateta, seurauksena voi olla sähköisku, tulipalo ja/tai vakava henkilövahinko. **Säilytä turvallisuusvaroitukset ja ohjeet tulevaa käyttöä varten.**

Ohjekirjassa ja tuotteessa käytetään seuraavia merkkejä:



Lue ohjekirja.



Ilmoittaa henkilövahingon, kuoleman tai työkalun vaurioitumisen vaarasta, jos tämän ohjekirjan ohjeita ei noudateta.



Sähköiskun vaara.



Irota pistoke välittömästi pistorasiasta, jos virtajohto vaurioituu sekä puhdistuksen ja huoltamisen ajaksi.



Sinkoavien osien vaara. Pidä ulkopuoliset kaukana työalueelta.



Käytä aina suojalaseja!
Käytä kuulonsuojaimia.



Käytä suojakäsineitä.



Älä paina karan lukituspainiketta moottorin käydessä.



Tulipalovaara.



Älä hävitä tuotetta virheellisesti.



Tuote täyttää Euroopan direktiivien soveltuvien turvallisuusstandardien vaatimukset.

Hiomis- tai leikkaustoimintoja koskevat turvallisuusvaroitukset:

- Tämä sähkötyökalu on tarkoitettu toimimaan hiomakoneena. Lue kaikki tämän sähkötyökalun mukana toimitetut varoitukset, ohjeet, kuvat ja tekniset tiedot. Jos alla olevia ohjeita ei noudateta, seurauksena voi olla sähköisku, tulipalo ja/tai vakava henkilövahinko.**
- Hiomapaperilla hiomista, teräsharjausta tai kiillotusta ei ole suositeltavaa suorittaa tällä sähkötyökalulla. Toimenpiteet, joita sähkötyökalua ei ole tarkoitettu, voivat aiheuttaa vaaratilanteita ja henkilövahinkoja.**
- Älä käytä lisävarusteita, joita työkalun valmistaja ei ole erityisesti määrittänyt ja suositellut. Vaikka lisävaruste voitaisiin kiinnittää sähkötyökaluun, sen käyttö ei ole välttämättä turvallista.
- Lisävarusteen nimellisa nopeuden on oltava vähintään yhtä suuri kuin sähkötyökaluun merkitty maksiminopeus. Jos lisävarusteeet pyörivät nimellisa nopeutta nopeammin, ne voivat rikkoutua osiin.**
- Lisävarusteen ulkoisen halkaisijan ja paksuuden on oltava sähkötyökalun nimelliskapasiteetin mukaisia. Virheellisen kokoisia lisävarusteita ei voida suojata tai hallita riittävän hyvin.**
- Lisävarusteiden kierteiden on oltava hiomakoneen karan kierteiden mukaisia. Kun lisävarusteet asennetaan laippoja käyttäen, lisävarusteen kiinnitysreiän on oltava laipan halkaisijan mukainen. Jos lisävarusteet eivät sovi sähkötyökalun asennusosiin, kone joutuu**

epätasapainoon, se tärisee liikaa ja seurauksena voi olla hallinnan menetys.

- g) **Älä käytä vaurioitunutta lisävarustetta.** Tarkista lisävaruste ennen jokaista käyttökertaa: hiomalaikat lovien ja halkeamien varalta, alusta halkeamien ja kulumien varalta, teräsharja löysien tai haljenneiden lankojen varalta. Jos sähkötyökalu tai lisävaruste pudotetaan, tarkista se vaurioiden varalta tai asenna ehjä lisävaruste. Kun lisävaruste on tarkistettu ja asennettu, asetu pois pyörivän lisävarusteen tasosta varmistamalla, että myös muut henkilöt ovat pois siitä, ja käytä sähkötyökalua maksimaalisella kuormittamattomalla nopeudella yhden minuutin ajan. Vaurioituneet lisävarusteet rikkoutuvat normaalisti tämän testiajan aikana.
- h) **Käytä henkilökohtaisia suojavarusteita.** Käytä sovelluksesta riippuen kasvusoojaa tai suojalaseja. Käytä tarvittaessa hengityssuojaa, kuulonsuojaimia, suojakäsineitä ja suojavaatteita, jotka suojaavat pieniltä hankaavilta sirpaleilta tai työkappaleen sirpaleilta. *Silmälasi on voitava estää eri toimenpiteistä syntyvät lentävät jäämät. Hengityssuojan tai hengityslaitteen on suodatettava toimenpiteestä aiheutuneet hiukkaset. Pitkäaikainen altistuminen suurelle melutasolle voi aiheuttaa kuulovaurioita.*
- i) **Pidä ohikulkijat turvallisen välimatkan päässä työalueelta.** Kaikkien työalueelle tulevien henkilöiden on käytettävä henkilökohtaisia suojavarusteita. *Työstökappaleen tai rikkoutuneen lisävarusteen pienet osat voivat singota ja aiheuttaa henkilövahinkoja välittömän työalueen ulkopuolella.*
- j) **Pidä sähkötyökalua vain eristetyistä pinnoista, kun leikkausväline voi käytön aikana koskettaa piilossa oleviin sähköjohtoihin tai laitteen virtajohtoon.** Jos leikkausväline koskettaa jännitteenalaiseen johtoon, virta voi välittyä sähkötyökalun metalliosiin ja sähköiskuvaara on olemassa käyttäjälle.
- k) **Vie johto pois pyörivästä lisävarusteesta.** Jos hallinta menetetään, johto voi leikkautua tai kiertyä ja käyttäjän käsi tai käsivarsi voi joutua vetovoiman seurauksena pyörivään lisävarusteeseen.

- l) **Älä koskaan aseta sähkötyökalua alas ennen kuin se on pysähtynyt kokonaan.** *Pyörivä lisävaruste voi kiinnittyä pintaan ja vetää sähkötyökalua, jolloin seurauksena on hallinnan menetys.*
- m) **Älä käynnistä sähkötyökalua, kun kuljetat sitä sivussa.** *Jos pyörivään lisävarusteeseen kosketetaan vahingossa, se voi juuttua vaatteisiisi vetäen lisävarusteen kehoosi.*
- n) **Puhdista sähkötyökalun tuuletusaukot säännöllisesti.** *Moottorin puhallin imee pölyn kotelon sisälle ja metallipölyn liian suuri kertyminen voi aiheuttaa sähkövaaroja.*
- o) **Älä käytä sähkötyökalua syttyvien materiaalien lähellä.** *Kipinät voivat sytyttää kyseiset materiaalit.*
- p) **Älä käytä lisävarusteita, jotka vaativat nestemäisten jäähditysaineiden käyttöä.** *Veden tai muiden jäähditysnesteiden käyttö voi johtaa sähkötapaturmaan tai -iskuun.*

Takaisinisku ja vastaavat varoitukset

Takaisinisku on pyörivän laikan, alustan, harjan tai muun lisävarusteen kiinni juuttumisen reaktio. Kiinni juuttuminen aiheuttaa pyörivän lisävarusteen nopean pysähtymisen, jolloin kontrolloimaton työkalu siirtyy voimalla lisävarusteen kiertoa vastakkaiseen suuntaan kiinni juuttumisen kohdassa. Jos esimerkiksi hiomalaikka juuttuu kiinni työstökappaleeseen, laikan kiinni juuttumiskohtaan siirtyvä reuna voi siirtyä syvemmäs materiaalin pintaan aiheuttaen laikan siirtymisen ylös tai takaisiniskun. Laikka voi joko hypähtää eteenpäin tai käyttäjästä pois päin laikan kiertosuunnasta riippuen kiinni juuttumisen aikana. Hiomalaikat voivat myös rikkoutua näissä olosuhteissa. Takaisinisku johtuu sähkötyökalun väärinkäytöstä ja/tai virheellisistä toimenpiteistä tai olosuhteista ja ne voidaan välttää noudattamalla asianmukaisia alla kuvattuja varotoimia.

- a) **Säilytä hyvä ote sähkötyökalusta ja aseta keho ja varsi niin, että voit vastata takaisiniskuun.** Käytä aina lisäkahvaa (jos olemassa) säilyttääksesi maksimaalisen takaisiniskun tai vääntöreaktion hallinnan käynnistymisen aikana. Käyttäjä voi hallita vääntöreaktioita tai takaisiniskuvoimia, jos oikeaoppiset varotoimenpiteet suoritetaan.

- b) **Älä koskaan aseta kättä kiertävän lisävarusteen lähelle.** Lisävaruste voi iskeytyä takaisin käteesi.
- c) **Älä aseta kehoa alueelle, johon sähkötyökalu siirtyy mahdollisen takaisiniskun aikana.** Takaisinisku siirtää työkalua vastakkaiseen suuntaan laikan suuntaan nähden kiinni juuttumisen hetkellä.
- d) **Ole erityisen varovainen kulmien, terävien reunojen jne. kohdalla. Vältä lisävarusteen hypähtelyä ja kiinni juuttumista.** Pyörivä lisävaruste voi juuttua helposti kiinni ja aiheuttaa hallinnan menetyksen tai takaisiniskun kulmissa, terävissä reunoissa tai hypähtelyn seurauksena.
- e) **Älä kiinnitä sahan ketjun puunveistoterää tai hammastettua sahanterää.** Kyseiset terät aiheuttavat usein takaisiniskuja ja hallinnan menetyksen.

Erityisesti hiomis- tai leikkaustoimintoja koskevat turvallisuusvaroitukset:

- a) **Käytä ainoastaan sähkötyökaluun suositeltuja laikkatyyppisiä sekä valittuun laikkaan tarkoitettua suojusta.** Laikat, joihin sähkötyökalua ei ole tarkoitettu, ei voida suojata asianmukaisesti ja ne ovat vaarallisia.
- b) **Keskeltä painettujen laikkojen hioma-alue tulee asentaa suojuksen huulen tason alapuolelle.** Virheellisesti asennettua laikkaa, joka siirtyy suojuksen huulen läpi, ei voida suojata asianmukaisesti.
- c) **Suojus tulee kiinnittää hyvin sähkötyökaluun ja sijoittaa maksimaalista turvallisuutta varten niin, että käyttäjä altistuu mahdollisimman vähän laikalle.** Suojus auttaa suojaamaan käyttäjän rikkoutuneilta laikan osilta, laikkaan vahingossa koskettamiselta sekä kipinöiltä, jotka voivat sytyttää vaatetuksen.
- d) **Laikkoja tulee käyttää vain suositeltuihin käyttötarkoituksiin.** Esimerkki: älä hio leikkauslaikan sivulla. Hiomakoneen leikkauslaikat on tarkoitettu reunan hiomiseen, ne voivat rikkoutua mahdollisten sivusuuntaisten voimien seurauksena.
- e) **Käytä aina ehjiä laikan laippoja, joiden koko ja muoto ovat oikeita valittuun laikkaan.** Asianmukaiset laikan laipat tukevat laikkaa ja vähentävät täten niiden rikkoutumisen

vaaraa. Leikkauslaikkojen laipat voivat poiketa hiomalaikan laipoista.

- f) **Älä käytä suurempien sähkötyökalujen kuluneita laikkoja.** Suurempiin sähkötyökaluihin tarkoitettu laikka ei sovi pienemmän koneen suurempaan nopeuteen ja se voi pirstoutua.

Hiomakoneella suoritettuja leikkaustoimenpiteitä koskevat lisäturvallisuusvaroitukset:



Leikkaustoimenpiteet voidaan suorittaa vain erityisellä suojuksella (ei kuulu pakkaukseen).

- a) **Älä ylikuormita tai kohdista liiallista painetta leikkauslaikkaan. Älä yritä suorittaa liian syvää leikkausta.** Laikan ylikuormitus lisää sen rasitusta ja kääntymisen tai kiinni juuttumisen vaaraa sekä takaisiniskun tai laikan rikkoutumisen vaaraa.
- b) **Älä aseta kehoa samalle linjalle pyörivän laikan kanssa tai sen taakse.** Kun laikka siirtyy käytön aikana kehosta pois päin, mahdollinen takaisinisku voi aiheuttaa laikan ja sähkötyökalun pyörimisen suoraan sinua kohti.
- c) **Jos laikka on juuttunut kiinni tai leikkaus keskeytyy jostakin syystä, kytke sähkötyökalu pois päältä ja pidä sitä paikoillaan, kunnes laikka pysähtyy kokonaan.** Älä koskaan yritä poistaa leikkauslaikkaa leikkauksesta laikan ollessa liikkeessä. Muutoin vaarana on takaisinisku. Määritä laikan kiinni juuttumisen syy ja pyri poistamaan se.
- d) **Älä käynnistä konetta uudelleen laikan ollessa kiinni työstökappaleessa.** Anna laikan saavuttaa täysi nopeus ja aseta se sen jälkeen varoen leikkaukseen. Laikka voi juuttua kiinni, siirtyä ylöspäin tai iskeä takaisin, jos sähkötyökalu käynnistetään laikan ollessa kiinni työstökappaleessa.
- e) **Tue paneeleja tai muita liian suuria työstökappaleita, jotta laikka ei juuttuisi kiinni tai takaisiniskuja ei syntyisi.** Suuret työstökappaleet painuvat yleensä oman painonsa vuoksi. Tukikappaleet tulee asettaa työstökappaleen alapuolelle leikkauslinjan lähelle ja työstökappaleen reunan lähelle laikan molemmilla puolilla.

- f) **Ole erityisen varovainen, kun suoritat "taskuleikkauksen" olemassa oleviin seinisiin tai muihin umpinaisiin alueisiin.** Ulos tuleva laikka voi leikata kaasu- tai vesiputkia, sähköjohtoja tai takaisiniskun aiheuttavia kohteita.

Sähköturvallisuus

Noudata aina sähkötyökaluihin soveltuvia maakohtaisia turvallisuusmääräyksiä tulipalon, sähköiskun ja henkilövahinkovaaran välttämiseksi. Lue seuraavat turvallisuusohjeet sekä tuotteen mukana toimitetut turvallisuusohjeet.



Tarkista aina, että virtalähteen jännite vastaa laitteen tyyppikilven jännitearvoa.



Luokan II kone - Kaksoiseristys - Maadoitettu pisteke ei ole tarpeen.

Jos sähkötyökalua on käytettävä kosteassa ympäristössä, käytä vikavirtasuojakytkintä (RCD). Vikavirtasuojakytkimen käyttö vähentää sähköiskun vaaraa.

2. KONEEN TIEDOT

Käyttötarkoitus

Kulmahiomakone on tarkoitettu muurauksen ja teräsmateriaalien hiomiseen vettä käyttämättä. Erityistä suojusta on käytettävä leikkaamiseen (ei sisälly pakkaukseen).

Tekniset tiedot

Mallinro	AGM1110P	AGM1112P	AGM1114P
Verkkojännite	220-240 V~		
Verkkotaajuus	50/60 Hz		
Ottoteho	710 W		
Nimellisa nopeus	N ₀ 11.000/min		
Hiomalaikka			
Halkaisija	100 mm	115 mm	125 mm
Sylinterin halkaisija	16 mm	22 mm	22 mm
Karan kierteet	M10	M14	M14
Paino	1.98 kg	2 kg	2.05 kg
Äänipaine (L _{PA})	86.4 + 3 dB(A)		
Ääniteho (L _{WA})	97.4 + 3 dB(A)		
Tärinä "Pintahionta" a _{h,AG}	6.334 + 1.5 m/s ²		

Mallinro	AGM1111P	AGM1113P	AGM1115P
Verkkojännite	220-240 V~		
Verkkotaajuus	50/60 Hz		
Ottoteho	850 W		
Nimellisa nopeus	N ₀ 11.000/min		
Hiomalaikka			
Halkaisija	100 mm	115 mm	125 mm
Sylinterin halkaisija	16 mm	22 mm	22 mm
Karan kierteet	M10	M14	M14
Paino	1.98 kg	2 kg	2.05 kg
Äänipaine (L _{PA})	86.4 + 3 dB(A)		
Ääniteho (L _{WA})	97.4 + 3 dB(A)		
Tärinä "Pintahionta" a _{h,AG}	6.334 + 1.5 m/s ²		

Tärinätaaso

Tässä ohjekirjassa annettu tärinätaaso on mitattu standardin EN 60745 mukaisen standardisoidun testin mukaisesti. Sen avulla voidaan verrata eri työkaluja ja sitä voidaan käyttää tärinälle altistumisen alustavaan arviointiin, kun työkalua käytetään mainittuihin käyttötarkoituksiin

- jos työkalua käytetään eri sovelluksiin tai erillä tai huonokuntoisilla lisävarusteilla, altistumistaso voi olla huomattavasti suurempi
- sammutusajat tai käyttämättömät ajat voivat huomattavasti laskea altistumistasoa.

Suojaudu tärinän vaikutuksilta ylläpitämällä työkalua ja sen lisävarusteita, pidä kädet lämpiminä ja käytä organisoituja työtoimenpiteitä.

Kuvaus

Tekstin numerot viittaavat sivujen 2-3 kaavioihin.

Kuva A

1. Karan lukituspainike
2. Virtakytkin
3. Suojus

Kuva B

8. Kara
9. Asennuslaippa
10. Laikka (ei kuulu pakkaukseen)
11. Kiinnitysmutteri
12. Ruuviavain
13. Sivukahva

Asentaminen



Sammuta kone ja irrota pistoke sähköverkosta aina ennen asentamista.

Suojuksen asentaminen (kuva A ja B)

- Aseta kone pöydälle kara (8) ylöspäin osoittaen.
- Aseta suojus (3) koneen pään päälle kuvan B mukaisesti varmistaen, että suojuksen harjat sopivat koneen päässä oleviin uriin.
- Käännä suojusta vastapäivään.



Älä koskaan yritä käyttää konetta ilman suojusta.

Laikan asentaminen ja poistaminen (kuva B)

- Käytä aina koneeseen sopivaa laikkaa, jonka halkaisija on Ø100mm / Ø115mm / Ø125mm ja sylinterin halkaisija 16 / 22 / 22 mm. Laikan paksuuden on oltava 6 mm hiomalaikan kohdalla ja 3 mm leikkauslaikan kohdalla. Asennettu laikka ei saa koskettaa suojukseen.

Asentaminen

- Aseta kone pöydälle suojus (3) ylöspäin osoittaen.
- Asenna laippa (9) karaan (8).
- Asenna laikka (10) karaan (8).
- Pidä karan lukituspainiketta (1) alhaalla ja kiristä kiinnitysmutteri (11) tiukasti karaan (8) ruuviavainta (12) käyttäen.

Poistaminen

- Aseta kone pöydälle suojus (3) ylöspäin osoittaen.
- Pidä karan lukituspainiketta (1) alhaalla ja löysää kiinnitysmutteri (11) ruuviavainta (12) käyttäen.
- Poista laikka (10) karasta (8).
- Pidä karan lukituspainiketta (1) alhaalla ja kiristä kiinnitysmutteri (11) ruuviavainta (12) käyttäen.

3. KÄYTTÖ



Varmista, että työstökappaletta tuetaan oikeaoppisesti tai että se on kiinnitetty ja pidä virtajohto kaukana työalueelta.

Päälle ja pois päältä kytkeminen (kuva A)

- Kytke kone päälle painamalla virtakytkintä (2).
- Kytke kone pois päältä vapauttamalla virtakytkin (2).

Pidä konetta kaukana työstökappaleesta sen päälle ja pois päältä kytkemisen aikana, koska laikka voi vaurioittaa työstökappaletta.

- Kiinnitä työstökappale hyvin tai varmista muulla tavoin, että se ei voi liikkua käytön aikana.
- Tarkista laikat säännöllisesti. Kuluneet laikat heikentävät koneen tehoa. Vaihda ajoissa uuteen laikkaan.
- Kytke kone aina ensin pois päältä käytön jälkeen ennen pistokkeen irrottamista pistorasiasta.

Purseenpoisto (kuva C)

Kallistuskulma 30° - 40° mahdollistaa parhaat tulokset purseenpoiston aikana. Siirrä konetta taakse- ja eteenpäin kevyellä paineella. Täten estät työstökappaleen värimuutokset tai kuumentumisen liian kuumaksi ja epätasaisuuksien syntyminen.



Älä koskaan käytä leikkauslaikkoja purseenpoistoon!

Leikkaaminen (kuva D)

Eryistä suljettua suojusta on käytettävä leikkaamiseen (ei sisälly pakkaukseen). Säilytä hyvä kosketus työstökappaleeseen tärinän estämiseksi, älä kallista tai käytä painetta leikkaamisen aikana. Käytä kohtalaista painetta käytön aikana työstettävän materiaalin mukaan. Älä hidasta laikkaa kohdistamalla siihen vastapainetta sivusuunnassa. Leikkaussuunta on tärkeä. Koneen tulee aina toimia leikkaussuuntaa vastakkaiseen suuntaan. Älä koskaan siirrä konetta toiseen suuntaan! Kone voi muutoin juuttua leikkaukseen, aiheuttaa takaisiniskun ja hallinnan menetyksen.

Vinkkejä optimaalista käyttöä varten

- Kiinnitä työstökappale paikoilleen. Käytä puristuslaitetta pienien työstökappaleiden kohdalla.
- Pidä koneesta kiinni molemmilla käsillä.
- Kytke kone toimintaan.
- Odota, kunnes kone on saavuttanut täyden nopeuden.
- Asenna laikka koneeseen.
- Siirrä konetta hitaasti työstökappaletta pitkin, painaa laikkaa hyvin työstökappaletta vasten.
- Älä kohdistu koneeseen liikaa painetta. Anna koneen hoitaa tehtävä.

- Sammuta kone ja odota, kunnes se pysähtyy kokonaan ennen kuin asetat koneen alas.



Käytä ainoastaan alkuperäisiä hiiliharjoja.

4. HUOLTO

Pistokkeen vaihto (koskee vain Isoa-Britanniaa)

Jos laitteeseen liitetty valettu 3-nastainen pistoke on vaurioitunut ja sen vaihto on tarpeen, se tulee hävittää oikeaoppisesti ja vaihtaa hyväksytyyn BS 1363/13A sulakkeella varustettuun pistokkeeseen ja seuraavia johdotusohjeita on noudatettava. Virtajohdon johtimet on värikoodattu seuraavasti:
sininen nollajohdin
ruskea jännitteenalainen johdin

Koska laitteen virtajohdon johtimien värit eivät välttämättä vastaa pistokkeen liitäntöjen värimerkintöjä, toimi seuraavasti:

- Sininen johdin tulee liittää kirjaimella N tai mustalla värillä merkittyyn liitäntään.
- Ruskea johdin tulee liittää kirjaimella L tai punaisella värillä merkittyyn liitäntään.



Sammuta kone ja irrota pistoke sähköverkosta aina ennen puhdistusta ja huoltoa.

Puhdista koneen ulkokuoret säännöllisesti pehmeällä liinalla, mieluiten jokaisen käyttökerran jälkeen. Varmista, että tuuletusaukoissa ei ole pölyä tai likaa. Poista vaikeat tahrat käyttämällä saippuavaahtoon kostutettua pehmeää liinaa. Älä käytä liuottimia, kuten bensiiniä, alkoholia, ammoniakkaa jne. Vastaavat kemikaalit vaurioittavat synteettisiä komponentteja.

Virtajohtojen vaihto

Jos virtajohto on vaurioitunut, se tulee vaihdattaa valmistajalla, valmistajan huoltopalvelussa tai vastaavalla pätevällä asiantuntijalla vaarojen välttämiseksi.

Hiiliharjojen tarkistaminen ja vaihtaminen

Jos hiiliharjat ovat kuluneet, ne tulee vaihdattaa valmistajan asiakaspalvelussa tai vastaavalla pätevällä asiantuntijalla.

- Poista hiiliharjan kannet (4) kiertämällä ruuvi auki, avaa kansi nostamalla se pois koneesta.
- Vapauta jousi (14) hiiliharjasta ja pidä jousi (14) paikoillaan ruuvimeisselillä. Poista hiiliharja (15) vastaavasta pidikkeestä (pidä kuparijohto (16) kiinni koneessa).
- Pidä jousi (14) paikoillaan ja aseta uusi hiiliharja pidikkeen sisään.
- Vapauta jousi (14) takaisin paikoilleen ja varmista, että se pitää harjan paikoillaan (kuvan G mukaisesti).
- Löysää ruuvia (13), joka vapauttaa vanhan harjan kuparijohdon (16). Kiristä ruuvi (13) uudelleen varmistamalla, että uuden hiiliharjaksen kuparijohto (16) on välissä.
- Aseta kansi (4) takaisin paikoilleen varmistamalla, ettei johtoja jää väliin ja kiristä ruuvi.
- Vaihda aina molemmat hiiliharjat samanaikaisesti.
- Anna koneen käydä kuormittamalla nopeudella 15 minuutin ajan uusien hiiliharjojen asentamisen jälkeen.

YMPÄRISTÖ



Vialliset ja/tai hävitetyt sähkö- ja elektroniset laitteet tulee viedä asianmukaisiin erilliskeräyksiin.

Vain EU-maat

Älä hävitä sähkötyökaluja kotitalousjätteen mukana. Sähkö- ja elektroniikkalaitteita koskevan direktiivin 2012/19/EU ja vastaavien kansallisten lakien mukaisesti sähkötyökalut tulee hävittää erilliskeräyksessä ja ympäristöystävällisesti niiden käyttöänsä päätyttyä.

TAKUU

Takuuehdot löytyvät erillisestä takuukortista.

Tuotteeseen ja ohjekirjaan voidaan tehdä muutoksia. Teknisiin tietoihin voidaan tehdä muutoksia ilmoituksetta.

VINKELSLIPER

AGM1110P 710W 100mm
 AGM1111P 850W 100mm
 AGM1112P 710W 115mm
 AGM1113P 850W 115mm
 AGM1114P 710W 125mm
 AGM1115P 850W 125mm

Takk for at du kjøpte dette Ferm-produktet. Ved å gjøre det, har du nå et utmerket produkt som leveres av en av Europas ledende leverandører. Alle produkter som leveres til deg av Ferm blir produsert etter de høyeste standardene for yteevne og sikkerhet. Som en del av filosofien vår gir vi også utmerket kundeservice som støttes av den utstrakte garantien vår. Vi håper du nyter å bruke dette produktet i mange år fremover.

1. SIKKERHETSINSTRUKSJONER



ADVARSEL

Les vedlagte sikkerhetsadvarsler, ytterligere sikkerhetsadvarsler og instruksjonene. Unnlatelse fra å følge sikkerhetsadvarslene og instruksjonene kan føre til elektrisk støt, brann og/eller alvorlig skade. **Oppbevar sikkerhetsadvarslene og instruksjonene for fremtidig referanse.**

De følgende symbolene brukes i brukerhåndboken eller på produktet.



Les brukerhåndboken.



Angir risiko for personskade, tap av liv eller skade på verktøyet i tilfelle instruksjonene i denne håndboken ikke følges.



Risiko for elektrisk støt



Fjern hovedpluggen fra strømmettet umiddelbart hvis hovedkabelen blir skadd under rengjøring eller vedlikehold.



Risiko for flyvende gjenstander. Hold tilskuere unna arbeidsområdet.



Bruk alltid øyevern!
 Bruk hørselsvern.



Bruk vernehansker.



Ikke trykk spindellås-knappen mens motoren kjører.



Brannfare.



Ikke kast produktet i upassende beholdere.



Produktet er i overensstemmelse med gjeldende sikkerhetsstandarder i de europeiske direktivene.

Vanlige sikkerhetsadvarsler for sliping eller skurende avskjæring:

- Dette elektroverktøyet har til hensikt å fungere som et slipeverktøy. Les alle sikkerhetsadvarsler, instruksjoner, illustrasjoner og spesifikasjoner som gis med dette elektroverktøyet. Unnlatelse fra å følge alle instruksjonene som listes nedenfor kan føre til elektrisk støt, brann og/eller alvorlig skade.**
- Operasjoner som polering, stålbørsting og pussing anbefales ikke med dette elektroverktøyet. Operasjoner som elektroverktøyet ikke ble designet for kan resultere i en fare og forårsake personskade.**
- Ikke bruk tilbehør som ikke er spesifikt designet og anbefalt av verktøysfabrikanten. Selv om et tilbehør kan festes til elektroverktøyet, sikrer det ikke sikker drift.**
- Merkeomdreiningstallet til tilbehøret må være minst lik maksimumshastigheten som vises på elektroverktøyet. Tilbehør som kjøres fortere enn merkeomdreiningstallet kan bli ødelagt og fly fra hverandre.**
- Diameter på utsiden og tykkelsen til tilbehøret ditt må være innen kapasitetsrangeringen til elektroverktøyet. Tilbehør med feil størrelse kan ikke beskyttes eller kontrolleres i stor nok grad.**
- Gjenget montering av tilbehør må matche sliperens spindelgjenging. For tilbehør som monteres med ribber, må akselhullet til tilbehøret passe styrediameteren til ribben. Tilbehør som ikke matcher monteringsmaskinvaren til elektroverktøyet vil kjøres med dårlig balanse, vibrere mye og kan forårsake tap av kontroll.**

- g) **Ikke bruk et skadet tilbehør. Før hver bruk må du inspisere tilbehøret, sånn som slipeskiver for avskalling og sprekker, slipedisker for sprekker, rifter eller overdreven slitasje, stålbørster for løse eller sprukne metalltråder. Hvis elektroverktøyet eller tilbehør mistes, inspisere for skade eller installer et uskadet tilbehør. Etter inspisering og installering av et tilbehør, plasser deg selv og tilskuere unna planet til det roterende tilbehøret og kjør elektroverktøyet på maksimal hastighet uten belastning i ett minutt. Skadet tilbehør vil vanligvis gå i stykker i løpet av denne prøvetiden.**
- h) **Bruk personlig verneutstyr. Avhengig av bruken, bruk ansiktsvern eller sikkerhetsbriller. Bruk støvmaske, hørselsvern, hansker og verkstedsforkle som er i stand til å stoppe små fragmenter av slipemiddel eller arbeidsstykker når det er passende. Øyevernet må være i stand til å stoppe flygende biter som genereres av forskjellige operasjoner. Støvmasken eller røykmasken må være i stand til å filtrere partikler som genereres av operasjonen. Langvarig eksponering for høyt støy kan forårsake hørselstap.**
- i) **Hold tilskuere på sikker avstand fra arbeidsområdet. Alle som går inn i arbeidsområdet må bruke personlig verneutstyr. Fragmenter av arbeidsstykker eller til et ødelagt tilbehør kan fly vekk og forårsake skade utenfor umiddelbar nærhet av driften.**
- j) **Hold elektroverktøyet kun etter isolerte gripeflater ved utføring av en operasjon hvor skjæretilbehøret kan komme i kontakt med skjult kabling eller egen ledning. Skjæretilbehør som kommer i kontakt med en strømledende ledning kan gjøre ubeskyttede deler av elektroverktøyet strømførende og kan gi operatøren et elektrisk støt.**
- k) **Plasser ledningen klar av roterende tilbehør. Hvis du mister kontroll, kan ledningen bli kuttet eller trukket og hånden eller armen din kan trekkes inn i det roterende tilbehøret.**
- l) **Legg aldri elektroverktøyet ned før tilbehøret har stoppet helt. Det roterende tilbehøret kan gripe tak i overflaten og trekke elektroverktøyet ut av kontroll.**
- m) **Ikke slå på elektroverktøyet mens du bærer det på siden din. Uforutsett kontakt med det roterende tilbehøret kan trekke klærne dine og trekke tilbehøret inn mot kroppen din.**
- n) **Rengjør elektroverktøyets luftehull regelmessig. Motorens vifte vil trekke støvet inn i motorkassen og overdreven samling av knust metall kan føre til elektrofarer.**
- o) **Ikke operer elektroverktøyet i nærheten av brennbare materialer. Gnister kan tenne disse materialene.**
- p) **Ikke bruk tilbehør som krever flytende kjølemiddel. Bruk av vann eller annet flytende kjølemiddel kan resultere i elektrisk støt.**

Tilbakeslag og beslektede advarsler

Tilbakeslag er en plutselig reaksjon på presset eller trukket roterende hjul, slipedisk, børste eller annet tilbehør. Pressing eller trekking forårsaker hurtig stopp av det roterende tilbehøret som igjen forårsaker at det ukontrollerte elektroverktøyet tvinges i motsatt retning av tilbehøres rotasjon ved bindepunktet.

Hvis, for eksempel, en slipeskive trekkes eller presses av arbeidsstykket, kan kanten av skiven som går inn i trykkpunktet støte inn i overflaten til materialet og forårsake at skiven stiger ut eller slår ut. Skiven kan enten hoppe mot eller vekk fra operatøren, avhengig av skivens bevegelse og trykkpunktet. Slipeskiver kan også gå i stykker under disse forholdene. Tilbakeslag er resultat av misbruk og/eller feilaktige driftsprosedyrer for elektroverktøyet og kan unngås ved å bruke riktige forholdsregler som gitt nedenfor.

- a) **Oppretthold et fast grep på elektroverktøyet og plasser kroppen og armen din sånn at du kan motstå tilbakeslagskrefter. Bruk alltid hjelpehåndtaket, hvis det gis, for maksimal kontroll over tilbakeslag eller momentreaksjon under oppstart. Hvis riktige forholdsregler brukes, kan operatøren kontrollere momentreaksjoner og tilbakeslagskrefter.**
- b) **Plasser aldri hånden din i nærheten av det roterende tilbehøret. Tilbehøret kan slå tilbake over hånden din.**
- c) **Ikke plasser kroppen din i området hvor elektroverktøyet vil bevege seg hvis tilbakeslag oppstår. Tilbakeslag vil drive verktøyet i motsatt retning av skivens bevegelse ved bindepunktet.**
- d) **Vær spesielt oppmerksom når du jobber på vinkler, skarpe kanter osv. Unngå støting og huking av tilbehøret. Vinkler, skarpe kanter og**

- støting har en tendens til å huke det roterende tilbehøret og forårsake tap av kontroll eller tilbakeslag.*
- e) **Ikke fest et treskjæringsblad med sagkjede eller tagget sagblad. Slike blad skaper hyppige tilbakeslag og tap av kontroll.**

Spesifikke sikkerhetsadvarsler for sliping og skurende avskjæring:

- a) **Bruk kun skivetyper som anbefales for elektroverktøyet og den spesifikke beskyttelsen som er designet for valgt skive.** Skiver som elektroverktøyet ikke ble designet for kan ikke beskyttes skikkelig og er ikke sikre.
- b) **Slipeoverflaten til skriver som trykkes ned på midten må monteres under planet til beskyttelsesranden.** En skrive som ikke er skikkelig montert som stikker fram gjennom planet til beskyttelsesranden kan ikke beskyttes godt nok.
- c) **Beskyttelsen må bli godt festet til elektroverktøyet og plasseres for maksimal beskyttelse sånn at minst mulig av skiven blottes mot operatøren.** Beskyttelsen hjelper til å beskytte operatøren fra brytte skivefragmenter, utilsiktet kontakt med skiven og gnister som kan antenne klær.
- d) **Skiver må kun brukes for anbefalte bruksområder. For eksempel: ikke slip med siden av en avskjæringsskive.** Slipende avskjæringsskiver er tiltenkt ytre sliping, sidekrefter som påføres disse skivene kan føre til at de splintres.
- e) **Bruk alltid uskadede skiveribber som er riktig størrelse og form for skiven du velger.** Riktige skiveribber støtter skiven og reduserer dermed muligheten for skiveskade. Ribber for skjæreskiver kan være forskjellige fra ribber for slipeskiver.
- f) **Ikke bruk nedslitte skiver fra større elektroverktøy.** Skive som er beregnet for større elektroverktøy er ikke passende for den høyere hastigheten til et mindre verktøy og kan breste.

Ytterligere sikkerhetsadvarsler for og skurende avskjæring:



Avskjæringer er kun passende med en spesiell beskyttelse (ikke inkludert).



Sjekk alltid at spenningen til strømtilførselen er lik spenningen på etiketten på merkeplaten.

- a) **Ikke “press” avskjæringsskiven eller påfør overdrevent trykk. Ikke prøv å foreta for dype kutt.** Overspenning av skiven øker belastningen og følsomheten ovenfor vridning eller binding av skiven i kuttet og muligheten for tilbakeslag eller skivebrudd.
- b) **Ikke plasser kroppen på linje med og bak den roterende skiven.** Når skiven, i driftspunktet, beveger seg vekk fra kroppen din, kan det mulige tilbakeslaget drive den roterende skiven og elektroverktøyet direkte mot deg.
- c) **Når skiven bindes eller når du avbryter et kutt uansett grunn, slå av elektroverktøyet og hold elektroverktøyet stille til skiven stopper helt. Prøv aldri å fjerne skjæreskiven fra kuttet mens skiven er i bevegelse, tilbakeslag kan oppstå.** Undersøk og foreta korrigeringstiltak for å fjerne årsaken til skivebinding.
- d) **Ikke start skjæreoperasjonen igjen inne i arbeidsstykket. La skiven nå full hastighet og gå sakte inn i kuttet igjen.** Skiven kan bindes, bevege seg opp eller få tilbakeslag hvis elektroverktøyet startes igjen inne i arbeidsstykket.
- e) **Støtt paneler eller eventuelle arbeidsstykker som er for store for å minimere risikoen for at skiven klemmes eller får tilbakeslag.** Store arbeidsstykker har en tendens til å sige ned under sin egen vekt. Støtter må plasseres under arbeidsstykket i nærheten av kuttlinjen og i nærheten av kanten av arbeidsstykket på begge sider av skiven.
- f) **Vær ekstra forsiktig når du utfører et “lommekutt” inn i eksisterende vegger eller andre blindområder.** Den utstikkende skiven kan kutte gass- eller vannrør, elektriske kabler eller gjenstander som kan forårsake tilbakeslag.

Elektrisk sikkerhet

Overhold alltid sikkerhetsforskriftene som gjelder i landet ditt når du bruker elektriske maskiner for å redusere risikoen for brann, elektrisk støt og personskade. Les de følgende sikkerhetsinstruksjonene og de vedlagte sikkerhetsinstruksjonene.



Klasse II maskin - Dobbel isolering - Du trenger ikke et jordet støpsel.

Hvis bruk av et elektroverktøy på et fuktig sted ikke kan unngås, bruk en strømtilførsel som beskyttes med jordfeilbryter (RCD). Bruk av en RCD reduserer risikoen for elektrisk støt.

2. MASKININFORMASJON

Tiltenkt bruk

Vinkelsliperen har blitt designet for å slipe mur- og stålmateriale uten bruk av vann. For kutting må en spesiell beskyttelse brukes (ikke inkludert)

Tekniske spesifikasjoner

Modellnr.	AGM1110P	AGM1112P	AGM1114P
Matespenning	220-240 V~		
Nettfrekvens	50/60 Hz		
Inngangseffekt	710 W		
Merkeomdreingingstall	N ₀ 11.000/min		
Felgplate for sliping			
Diameter	100 mm	115 mm	125 mm
Bor	16 mm	22 mm	22 mm
Spindelgjenge	M10	M14	M14
Vekt	1.98 kg	2 kg	2.05 kg
Lydtrykk (L _{PA})	86.4 + 3 dB(A)		
Lydstyrke (L _{WA})	97.4 + 3 dB(A)		
Vibrasjon "overflatesliping" a _{h,AG}	6.334 + 1.5 m/s ²		

Modellnr.	AGM1111P	AGM1113P	AGM1115P
Matespenning	220-240 V~		
Nettfrekvens	50/60 Hz		
Inngangseffekt	850 W		
Merkeomdreingingstall	N ₀ 11.000/min		
Felgplate for sliping			
Diameter	100 mm	115 mm	125 mm
Bor	16 mm	22 mm	22 mm
Spindelgjenge	M10	M14	M14
Vekt	1.98 kg	2 kg	2.05 kg

Lydtrykk (L _{PA})	86.4 + 3 dB(A)
Lydstyrke (L _{WA})	97.4 + 3 dB(A)
Vibrasjon "overflatesliping" a _{h,AG}	6.334 + 1.5 m/s ²

Vibrasjonsnivå

Vibrasjonsnivået som oppgis i denne instruksjons-håndboken har blitt målt i henhold til en standardisert test gitt i EN 60745. Den kan brukes for å sammenligne et verktøy med et annet og som forberedende vurdering av utsettelse for vibrasjon når verktøyet brukes for bruksområdene som nevnes

- bruk av verktøyet for andre bruksområder eller dårlig vedlikeholdt tilbehør kan øke eksponeringsnivået betraktelig
- gangene verktøyet er slått av eller når det gjøres uten å gjøre jobben kan redusere eksponeringsnivået betraktelig

Beskytt deg mot effekten av vibrasjon ved å vedlikeholde verktøyet og tilbehøret, holde hendene dine varme og organisere jobbmonsteret ditt.

Beskrivelse

Tallene i teksten henviser til diagrammene på side 2-3

Fig. A

1. Spindellås-knapp
2. På-/av-bryter
3. Beskyttelse

Fig. B

8. Spindel
9. Monteringsribbe
10. Felgplate (ikke inkludert)
11. Spennmutter
12. Skiftenøkkel
13. Sidehåndtak

Montering



Slå alltid av maskinen og fjern hovedpluggen fra strømmettet før montering.

Montering av beskyttelsen (fig. A og B)

- Plasser maskinen på et bord med spindelen (8) pekende oppover.
- Plasser beskyttelsen (3) over maskinhodet som vist i figur B, og sørg for at rillene

på beskyttelsen går inn i innsnittene til maskinhodet.

- Vri beskyttelsen mot klokken.



Prøv aldri å bruke maskinen uten beskyttelsen.

Montering og fjerning av skiven (fig. B)

- Bruk alltid passende felgplate for denne maskinen med diameter Ø100mm / Ø115mm / Ø125mm et bor fra 16 / 22 / 22 mm, tykkelsen for felgplaten skal være 6 mm for felgplate for sliping og 3 mm for felgplate for kutting, felgplaten for montering kan ikke berøre beskyttelsen.

Montering

- Plasser maskinen på et bord med beskyttelsen (3) pekende oppover.
- Monter ribben (9) på spindelen (8).
- Plasser felgplaten (10) på spindelen (8).
- Hold spindellås-knappen (1) trykket og stram spennmutteren (11) godt på spindelen (8) med skiftenøkkelen (12).

Fjerning

- Plasser maskinen på et bord med beskyttelsen (3) pekende oppover.
- Hold spindellås-knappen (1) trykket og løsne spennmutteren (11) med skiftenøkkelen (12).
- Fjern felgplaten (10) fra spindelen (8).
- Hold spindellås-knappen (1) trykket stram spennmutteren (11) godt med skiftenøkkelen (12).

3. DRIFT



Sørg for at arbeidsstykket er godt støttet eller festet og hold strekket av strømledningen unna arbeidsområdet.

Skru på og av (fig. A)

- For å skru maskinen på, trykk så på-/av-bryteren (2).
- Frigi på-/av-bryteren (2) for å slå av maskinen. Hold maskinen unna arbeidsstykket når du slår den på og av ellersom felgplaten kan skade arbeidsstykket.
- Klem arbeidsstykket godt sammen eller bruk en annen måte for å sikre at det ikke kan bevege seg under arbeidet.
- Sjekk skivene regelmessig. Slitte felgplater

har en negativ effekt på maskinens effektivitet. Bytt til en ny felgplate i god tid.

- Slå alltid av maskinen etter bruk før du fjerner kontakten fra stopselet.

Avgrating (fig. C)

En helningsvinkel på 30 ° til 40° vil gi best resultat ved avgrating. Flytt maskinen frem og tilbake under lett trykk. Dette vil forhindre at arbeidsstykket misfarges eller blir for varmt og vil forhindre fordypninger.



Bruk aldri skurende skjæreskiver for avgratingsarbeid!

Kutting (fig. D)

For kutting må en spesiell lukket beskyttelse brukes (ikke inkludert). Oppretthold fast kontakt med arbeidsstykket for å forhindre vibrasjon og ikke hell eller påfør trykk under kutting. Bruk moderat trykk under arbeid som er passende for materialet du jobber med. Ikke brems ned felgplaten ved å påføre mottrykk sidelengs. Retningen du ønsker å kutte er viktig. Maskinen må alltid jobbe mot retningen til kuttet, så beveg aldri maskinen i en annen retning! Det er en risiko for at maskinen vil gripe tak i kuttet og forårsake tilbakeslag og at du vil miste kontroll.

Hint for optimal bruk

- Klem arbeidsstykket sammen. Bruk en fastspenningsanordning for små arbeidsstykker.
- Hold maskinen med begge hender.
- Skru på maskinen.
- Vent til maskinen har nådd full hastighet.
- Plasser felgplaten på arbeidsstykket.
- Beveg maskinen sakte langs arbeidsstykket og trykk felgplaten fast mot arbeidsstykket.
- Ikke påfør for mye trykk på maskinen. La maskinen gjøre arbeidet.
- Skru av maskinen og vent til maskinen stopper helt før du legger den ned.

4. VEDLIKEHOLD

Bytte av nettstøpsel (kun Storbritannia)

Hvis det formstøpte støpselet med 3 pinner som er festet til enheten er skadet og trenger bytte, er det viktig at den blir ødelagt på riktig

måte og byttet med et godkjent støpsel med
 ennsatt BS 1363/13A-sikring og at de følgende
 ledningsinstruksjonene følges. Ledningene i
 nettkabelen er farget etter den følgende koden:
 blå nøytral
 brun strømførende

Siden fargene til ledningene i nettkabelen til
 enheten muligens ikke matcher fargemerkingen
 som identifiserer terminalene i støpselet, fortsetter
 du som følger:

- Ledningen som er farget blått må kobles til
 terminalen som er markert med bokstaven N
 eller farget svart.
- Ledningen som er farget brunt må kobles til
 terminalen som er markert med bokstaven L
 eller farget rødt.



*Slå alltid av maskinen og fjern
 hovedpluggen fra strømmettet før
 rengjøring og vedlikehold.*

Rengjør maskinbekledningen regelmessig med
 en myk klut, helst etter hver bruk. Sørg for at
 ventilasjonsåpningene er fri for støv og skitt. Fjern
 veldig utholdende skitt med en myk klut fuktet
 med såpeskum. Ikke bruk noen løsemidler som
 bensin, alkohol, ammoniakk osv. Slike kjemikalier
 vil skade de syntetiske komponentene.

Bytte strømledninger

Hvis strømledningen er skadet, må den byttes av
 fabrikanten, fabrikantens serviceverksted eller
 personer med lignende kvalifisering for å forhinde
 en fare.

Sjekk og bytte av kullbørstene

Hvis kullbørstene er slitte, må kullbørstene byttes
 av kundeserviceavdelingen til fabrikanten eller en
 person med lignende kvalifisering.



*Bruk kun riktige originaltyper av
 kullbørster.*

MILJØ



*Defekt og/eller kasserte elektriske eller
 elektroniske apparater må samles på
 passende resirkuleringsanlegg.*

Kun for EU-land

Ikke kast elektroverktøy i husholdningsavfall.
 Ifølge den europeiske veiledningen 2012/19/
 EU for kassert elektrisk og elektronisk utstyr og
 impementeringen dens inn i nasjonal rett, må
 elektroverktøy som ikke er brukbare lengre samles
 inn hver for seg og avhendes på en miljøvennlig
 måte.

GARANTI

Garantibetingelsene finnes i garantikortet som er
 vedlagt for seg selv.

**Produktet og brukerhåndboken er underlagt
 endringer. Spesifikasjoner kan endres uten
 forvarsel.**

VINKELSLIBER

AGM1110P 710W 100mm
 AGM1111P 850W 100mm
 AGM1112P 710W 115mm
 AGM1113P 850W 115mm
 AGM1114P 710W 125mm
 AGM1115P 850W 125mm

Tak for dit køb af dette Ferm-produkt. Du har hermed tilegnet dig et fremragende produkt, der er leveret af en af Europas førende leverandører. Alle produkter, du modtager fra Ferm, er fremstillet i overensstemmelse med de højeste standarder inden for ydeevne og sikkerhed. Som en del af vores filosofi leverer vi også en fremragende kundeservice, der understøttes af vores omfattende garanti. Vi håber, at du vil få glæde af dette produkt mange år fremover.

1. SIKKERHEDSANVISNINGER



ADVARSEL

Læs de vedlagte sikkerhedsadvarsler, de yderligere sikkerhedsadvarsler og vejledningen. Hvis sikkerhedsadvarslerne og vejledningen ikke følges, kan det resultere i elektrisk stød, brand og/eller alvorlige personskader. **Gem sikkerhedsadvarslerne og vejledningen til fremtidig brug.**

Følgende symboler anvendes i brugervejledningen eller på produktet:



Læs brugervejledningen.



Angiver risiko for personskade, dødsfald eller beskadigelse af værktøjet i tilfælde af manglende overholdelse af anvisningerne i denne vejledning.



Risiko for elektrisk stød



Tag øjeblikkeligt netstikket ud af stikkontakten, hvis netkablet bliver beskadiget, samt under rengøring og vedligeholdelse.



Risiko for flyvende genstande.



Tilskuere skal holde sig på afstand af arbejdsområdet.



Bær altid øjenværn!
 Bær høreværn.



Bær sikkerhedshandsker.



Tryk ikke på spindellåseknappen, mens motoren kører.



Risiko for brand.



Bortskaf ikke produktet i uegnede beholdere.



Produktet er i overensstemmelse med de gældende sikkerhedsstandarder i EU-direktiverne.

Fælles sikkerhedsadvarsler for slibende eller slibeskiveskærende handlinger:

- Dette maskinværktøj er beregnet til at blive anvendt som slibeværktøj. Læs alle sikkerhedsadvarsler, anvisninger, illustrationer og specifikationer, der følger med dette maskinværktøj. Hvis alle nedenstående anvisninger ikke følges, kan det resultere i elektrisk stød, brand og/eller alvorlige personskader.**
- Det anbefales ikke at udføre handlinger såsom pudsnings, stålborstning og polering med dette maskinværktøj. Handlinger, som maskinværktøjet ikke er udformet til, kan være farlige og forårsage personskader.**
- Brug ikke tilbehør, som ikke er udformet specifikt og anbefalet af værktøjsproducenten. Bare fordi tilbehøret kan sættes på maskinværktøjet, betyder det ikke nødvendigvis, at handlingen er sikker.**
- Tilbehørets nominelle hastighed skal være mindst lig med den maksimale hastighed, der er angivet på maskinværktøjet. Tilbehør, der drives hurtigere end deres nominelle hastighed, kan gå i stykker og flyve fra hinanden.**
- Den udvendige diameter og tykkelsen af dit tilbehør skal være inden for dit maskinværktøjs nominelle kapacitet. Tilbehør i forkerte størrelser kan ikke beskyttes eller styres på passende vis.**

- f) **Gevindmontering af tilbehør skal passe til slibeværktøjets spindelgevind. I forbindelse med tilbehør, der flangemonteres, skal tilbehørets buehul passe til flangens positionsdiameter.** *Tilbehør, der ikke passer til monteringsudstyret på maskinværktøjet, kommer ud af balance, vibrerer for meget og kan resultere i tabt kontrol.*
- g) **Brug ikke beskadiget tilbehør. Inden hver anvendelse skal du efterse tilbehøret, som f.eks. sliberuller for splinter og revner, bagpuder for revner og for kraftigt slid, metalbørste for løse eller revnede metaltråde.** *Hvis maskinværktøjet eller tilbehøret tabes, skal det efterses for skader, eller der skal monteres et stykke tilbehør, der ikke er beskadiget. Når du har efterset og monteret et stykke tilbehør, skal du selv og evt. tilskuere stille jer på afstand af det roterende tilbehørs plane overflade og tænde maskinværktøjet ved maksimal hastighed uden last i et minut. Beskadiget tilbehør går som regel i stykker i løbet af denne testtid.*
- h) **Bær personligt sikkerhedsudstyr. Afhængigt af anvendelsen bør du bruge ansigtsskærm eller sikkerhedsbriller. Bær om nødvendigt støvmaske, høreværn, handsker og værkstedsforklæde, der kan stoppe små slibestykker eller fragmenter.** *Øjenværnet skal kunne stoppe flyvende rester, der opstår under forskellige handlinger. Støvmasken eller filtermasken skal kunne filtrere partikler, der opstår under handlingen. Længerevarende eksponering for høje lyde kan resultere i høretab.*
- i) **Tilskuere skal holde sig på sikker afstand af arbejdsområdet. Alle, der bevæger sig ind på arbejdsområdet, skal bære personligt sikkerhedsudstyr.** *Fragmenter eller ødelagt tilbehør kan flyve væk og forårsage personskader uden for handlingens nærmeste område.*
- j) **Hold kun maskinværktøjet ved de isolerede grebflader, når du udfører en handling, hvor skæretilbehøret muligvis kan komme i kontakt med skjulte ledningstråde eller dets egen ledning.** *Hvis skæretilbehør kommer i kontakt med en strømført ledning, kan det gøre maskinværktøjets eksponerede metaldele strømførte og dermed give operatøren stød.*
- k) **Anbring ledningen væk fra det roterende tilbehør.** *Hvis du mister kontrol, kan ledningen blive skåret over eller fanget, og din hånd eller arm kan blive trukket ind i det roterende tilbehør.*
- l) **Læg aldrig maskinværktøjet ned, før tilbehøret er standset helt.** *Det roterende tilbehør kan gribe fat i overfladen og trække maskinværktøjet ud af din kontrol.*
- m) **Lad ikke maskinværktøjet være tændt, mens du bærer det ved siden af dig.** *En utilsigtet kontakt med det roterende tilbehør kan gribe fat i dit tøj, hvormed tilbehøret trækkes ind til din krop.*
- n) **Rengør maskinværktøjets udluftningshuller regelmæssigt.** *Motorblæseren trækker støv ind i huset, og en for stor akkumulering af metalpulver kan forårsage el-farer.*
- o) **Brug ikke maskinværktøjet i nærheden af brændbare materialer.** *Gnister kan antænde disse materialer.*
- p) **Brug ikke tilbehør, der kræver flydende kølemidler.** *Hvis der bruges vand eller andre flydende kølemidler, kan det resultere i stød, som evt. forårsager dødsfald.*

Tilbageslag og relaterede advarsler

Tilbageslag er en pludselig reaktion på en roterende rulle, en bagpude, børste eller andet tilbehør, der bliver klemt eller fanget. Når det roterende tilbehør bliver klemt eller fanget, standser det hurtigt, hvilket til gengæld tvinger det ukontrollerede maskinværktøj i den modsatte retning af tilbehørets rotation ved fastsættelsespunktet.

Hvis en sliberulle f.eks. bliver klemt eller fanget af arbejdsstykket, kan kanten af rullen, der trænger ind i klempunktet, gribe fat i materialets overflade og dermed få rullen til at ryge ud eller slå ud. Rullen kan enten bevæge sig hen mod eller væk fra operatøren, afhængigt af rullens bevægelsesretning ved klempunktet. Sliberuller kan også blive ødelagt under disse forhold. Tilbageslag opstår som et resultat af misbrug af maskinværktøjet og/eller forkerte operationsprocedurer eller forhold og kan undgås ved at træffe de passende foranstaltninger, som angivet herunder.

- a) **Hold godt fast i maskinværktøjet, og anbring din krop og arm på en sådan måde, at du kan modstå tilbageslagskræfter.**

Brug altid hjælpehåndtaget, hvis det forefindes, for at få en maksimal kontrol over tilbageslag og momentreaktion under opstart. Operatøren kan styre momentreaktioner eller tilbageslagskræfter, hvis der træffes de passende foranstaltninger.

- b) **Hold aldrig hånden i nærheden af det roterende tilbehør.** Tilbehør kan slå tilbage over hånden.
- c) **Du må aldrig befinde dig i det område, hvor maskinværktøjet bevæger sig hen, hvis der opstår tilbageslag.** Tilbageslag driver værktøjet i den modsatte retning af rullens bevægelse ved hindringspunktet.
- d) **Vær særlig forsigtig, når du arbejder på hjørner, skarpe kanter osv. Undgå at bumpet tilbehøret og udsætte det for hindringer.** Hjørner, skarpe kanter eller bump har tendens til at hindre det roterende tilbehør og forårsage tab af kontrol eller tilbageslag.
- e) **Påmonter ikke et savkædeskæreblad eller en savklinge.** Disse klinger kan skabe hyppigt tilbageslag og tab af kontrol.

Specifikke sikkerhedsadvarsler for slibende eller slibesiveskærende handlinger:

- a) **Brug kun rulletyper, der anbefales til dit maskinværktøj, og den specifikke afskærmning, der er udformet til den valgte rulle.** Ruller, som maskinværktøjet ikke er udformet til, kan ikke sikres på passende vis og dermed farlige.
- b) **Slibeoverfladen af de midterste nedtrykkede ruller skal monteres under den plane flade af afskærmningskanten.** En forkert monteret rulle, der projekteres ud gennem den plane flade af afskærmningskanten, kan ikke beskyttes på passende vis.
- c) **Afskærmningen skal være fastgjort sikkert til maskinværktøjet og anbringes med henblik på maksimal sikkerhed, så den mindst mulige mængde af rullen eksponeres mod operatøren.** Afskærmningen hjælper med at beskytte operatøren mod ødelagte rullefragmenter, utilsigtet kontakt med rullen og gnister, der kan antænde tøj.
- d) **Ruller må kun bruges til anbefalede anvendelser. F.eks.: slib ikke med siden af en afskæringsrulle.** Slibende afskæringsruller er beregnet til periferisk slibning, og hvis disse

ruller påføres kraft fra siden, kan det knuse dem.

- e) **Brug altid ubeskadigede rulleflanger, der har den rigtige størrelse og form, til din valgte rulle.** Korrekte rulleflanger understøtter rullen og reducerer dermed risikoen for, at en rulle bliver ødelagt. Flanger til afskæringsruller kan variere fra sliberulleflanger.
- f) **Brug ikke nedslidte ruller fra større maskinværktøjer.** Ruller, der er beregnet til større maskinværktøjer, er ikke velegnede til den højere hastighed af et mindre værktøj og kan sprænge.

Yderligere sikkerhedsadvarsler for slibesiveskærende handlinger:



Slibesiveskæring er kun velegnet, hvis der bruges en særlig afskærmning (medfølger ikke).

- a) **Undgå at få afskæringsrullen i klemme eller at bruge for mange kræfter. Forsøg ikke at foretage et for dybt snit.** Hvis rullen overbelastes, øges belastningen og risikoen for, at rullen bliver snoet eller sætter sig fast i snittet samt for, at der opstår tilbageslag eller rullebeskadigelse.
- b) **Undgå at stille dig på linje med og bag den roterende rulle.** Når rullen bevæger sig væk fra din krop under handlingen, kan det mulige tilbageslag drive den roterende rulle og maskinværktøjet direkte hen mod dig.
- c) **Når rullen sætter sig fast, eller når et snit af en eller anden årsag afbrydes, skal du slukke for maskinværktøjet og holde det stille, indtil rullen stopper helt.** Forsøg aldrig at fjerne afskæringsrullen fra snittet, mens rullen er i bevægelse, da der så kan opstå tilbageslag. Undersøg og træf korrigerende foranstaltninger for at fjerne årsagen til fastsættelsen af rullen.
- d) **Start ikke forfra med skærehandlingen i arbejdsstykket. Lad rullen nå den fulde hastighed og før den forsigtigt ind i snittet.** Rullen kan sætte sig fast, ryge op eller slå tilbage, hvis maskinværktøjet startes i arbejdsstykket igen.
- e) **Understøt paneler eller et evt. overdimensioneret arbejdsstykke for at minimere risikoen for, at rullen bliver klemt fast og slår tilbage.** Større arbejdsstykker har tendens til at falde sammen under deres

egen vægt. Der skal anbringes støtter under arbejdsstykket nær snitlinjen og nær kanten af arbejdsstykket på begge sider af rullen.

- f) **Vær ekstra forsigtig, når du laver et "lommensnit" i eksisterende vægge eller andre blinde områder.** Rullen, der stikker ud, kan skære gas- eller vandrør, el-ledninger eller genstande over, som kan forårsage tilbageslag.

El-sikkerhed

Når du bruger el-maskiner, skal du altid overholde de gældende sikkerhedsbestemmelser i dit land for at reducere risikoen for brand, elektrisk stød og personskader. Læs følgende sikkerhedsanvisninger samt de medfølgende sikkerhedsanvisninger.



Kontrollér altid, at strømforsyningsens spænding svarer til spændingen på ydelsesskiltets mærkat.



Klasse II-maskine - Dobbeltisoleret - Du har ikke brug for et jordstik.

Hvis det ikke kan undgås at bruge et maskinværktøj i et fugtigt miljø, bør du anvende en forsyning, der er beskyttet af en fejlstrømsafbryder (RCD). Brugen af en RCD reducerer risikoen for elektrisk stød.

2. MASKINOPLYSNINGER

Tilsigtet brug

Din vinkelsliber er udformet til at slibe murværk og stålmaterialer uden brug af vand. Ved skæring skal der bruges en særlig afskærmning som beskyttelse (medfølger ikke)

Tekniske specifikationer

Model nr.	AGM1110P	AGM1112P	AGM1114P
Netspænding	220-240 V~		
Netfrekvens	50/60 Hz		
Indgangseffekt	710 W		
Nominel hastighed	N ₀ 11.000/min		
Rulleskive til slibning			
Diameter	100 mm	115 mm	125 mm
Boringsdiameter	16 mm	22 mm	22 mm

	M10	M14	M14
Spindelgevind	M10	M14	M14
Vægt	1.98 kg	2 kg	2.05 kg
Lydtryk (L _{PA})	86.4 + 3 dB(A)		
Lydeffekt (L _{WA})	97.4 + 3 dB(A)		
Vibration "Overflade-slibning" a _{n,AG}	6.334 + 1.5 m/s ²		

Model nr.	AGM1111P	AGM1113P	AGM1115P
Netspænding	220-240 V~		
Netfrekvens	50/60 Hz		
Indgangseffekt	850 W		
Nominel hastighed	N ₀ 11.000/min		
Rulleskive til slibning			
Diameter	100 mm	115 mm	125 mm
Boringsdiameter	16 mm	22 mm	22 mm
Spindelgevind	M10	M14	M14
Vægt	1.98 kg	2 kg	2.05 kg
Lydtryk (L _{PA})	86.4 + 3 dB(A)		
Lydeffekt (L _{WA})	97.4 + 3 dB(A)		
Vibration "Overflade-slibning" a _{n,AG}	6.334 + 1.5 m/s ²		

Vibrationsniveau

Det udsendte vibrationsniveau, der er angivet i denne brugsvejledning, er blevet målt i overensstemmelse med en standardiseret test i henhold til EN 60745. Den kan bruges til at sammenligne et værktøj med et andet og som en indledende vurdering af eksponering for vibration, når værktøjet bruges til de nævnte anvendelser

- når værktøjet bruges til forskellige anvendelser, eller med forskelligt eller dårligt vedligeholdet tilbehør, kan eksponeringsniveauet øges betydeligt
- de gange, hvor værktøjet er slukket, eller når det er tændt, men ikke bruges til opgaven på det pågældende tidspunkt, kan det reducere eksponeringsniveauet betydeligt

Beskyt dig mod vibrationseffekterne ved at vedligeholde værktøjet og dets tilbehør, holde dine hænder varme og organisere dine arbejdsmønstre.

Beskrivelse

Tallene i teksten henviser til diagrammerne på side 2-3

Fig. A

1. Spindellåseknop
2. Tænd/sluk-kontakt
3. Afskærmning

Fig. B

8. Spindel
9. Monteringsflange
10. Rulleskive (medfølger ikke)
11. Fastspændingsmøtrik
12. Skruenøgle
13. Sidehåndtag

Montering



Før monteringen skal du altid slukke for maskinen og trække netstikket ud af kontakten.

Montering af afskærmningen (fig. A og B)

- Stil maskinen på et bord, så spindlen (8) vender opad.
- Anbring afskærmningen (3) over maskinhovedet, som vist på Figur B, mens du sørger for, at ryggene på afskærmningen falder ind i maskinhovedets hakker.
- Vend afskærmningen mod uret.



Forsøg aldrig at bruge maskinen uden afskærmningen.

Montering og fjernelse af skiven (fig. B)

- Brug altid en velegnet rulleskive til denne maskine med diameter Ø100mm / Ø115mm / Ø125mm og en boringsdiameter fra 16 / 22 / 22 mm. Rulleskiven skal have en tykkelse på 6 mm ved slibning og 3 mm ved skæring. Monteringsrulleskiven må ikke berøre afskærmningen.

Montering

- Stil maskinen på et bord, så afskærmningen (3) vender opad.
- Montér flangen (9) på spindlen (8).
- Anbring rulleskiven (10) på spindlen (8).
- Hold spindellåseknappen (1) nede, og stram fastspændingsmøtrikken (11) godt på spindlen (8) ved hjælp af skruenøglen (12).

Fjernelse

- Stil maskinen på et bord, så afskærmningen (3) vender opad.
- Hold spindellåseknappen (1) nede, og løs fastspændingsmøtrikken (11) ved hjælp af skruenøglen (12).
- Fjern rulleskiven (10) fra spindlen (8).
- Hold spindellåseknappen (1) nede, og stram fastspændingsmøtrikken (11) godt ved hjælp af skruenøglen (12).

3. DRIFT



Sørg for, at arbejdsstykket understøttes og er fastgjort korrekt, og hold forsyningsledningen på afstand af arbejdsområdet.

Tænd og sluk (fig. A)

- Tænd for maskinen ved at trykke på tænd/sluk-kontakten (2).
- Sluk for maskinen ved at frigive tænd/sluk-kontakten (2).

Hold maskinen væk fra arbejdsstykket, når du tænder og slukker den, da rulleskiven ellers kan beskadige arbejdsstykket.

- Spænd arbejdsstykket godt fast, eller brug en anden metode til at sikre, at det ikke kan flytte sig under arbejdet.
- Kontrollér regelmæssigt skiverne. Slidte rulleskiver har en negativ virkning på maskinens ydeevne. Skift til en ny rulleskive i god tid.
- Sluk altid først for maskinen efter brug, inden du trækker stikket ud af kontakten.

Afgratning (fig. C)

En vinkelhældning på mellem 30° og 40° giver de bedste resultater ved afgratning. Bevæg maskinen frem og tilbage med et let tryk. Dette forhindrer, at arbejdsstykket bliver affarvet eller for varmt, og at der bliver lavet riller.



Brug aldrig slibeskæreskiver til afgratningsarbejde!

Skæring (fig. D)

Ved skæring skal der bruges en særlig lukket afskærmning som beskyttelse (medfølger ikke). Hold god kontakt med arbejdsstykket for at forhindre vibrationer, og undlad at vippe eller

påføre tryk under skæringen. Brug et moderat tryk under arbejdet, som passer til det materiale, der arbejdes på. Sænk ikke rullaskivernes hastighed ved at påføre modtryk fra siden. Den retning, du vil skære i, er vigtig. Maskinen skal altid arbejde imod skæreretningen. Bevæg derfor aldrig maskinen i den anden retning! Der er risiko for, at maskinen sætter sig fast i snittet og dermed forårsager tilbageslag, og at du mister kontrollen.

Tips til optimal brug

- Fastspænd arbejdsstykket. Brug en fastspændingsenhed til små arbejdsstykker.
- Hold maskinen med begge hænder.
- Tænd for maskinen.
- Vent, til maskinen har nået fuld hastighed.
- Anbring rulleskiven på arbejdsstykket.
- Bevæg langsomt maskinen langs arbejdsstykket, mens du trykker rulleskiven fast ned mod arbejdsstykket.
- Påfør ikke for meget tryk på maskinen. Lad maskinen gøre arbejdet.
- Sluk for maskinen, og vent på, at den standser helt, inden du lægger maskinen fra dig.

4. VEDLIGEHOLDELSE

Udskiftning af netstik (kun i Storbritannien)

Hvis det formstøbte 3-bens stik, der er fastgjort til enheden, bliver beskadiget og skal udskiftes, er det vigtigt, at det destrueres korrekt og udskiftes med et godkendt BS 1363/13A stik med sikring, samt at følgende ledningsanvisninger følges. Ledningerne i netkablet er farvet i overensstemmelse med følgende kode:

blå neutral
brun strømførende

Da ledningsfarverne i enhedens netkabel muligvis ikke stemmer overens med de farvede mærkninger, der identificerer terminalerne i stikket, bedes du gøre følgende:

- Ledningen med den blå farve skal sluttes til den terminal, der er mærket med bogstavet N eller er farvet sort.
- Ledningen med den brune farve skal sluttes til den terminal, der er mærket med bogstavet L eller farvet rød.



Før rengøring og vedligeholdelse skal du altid slukke for maskinen og trække netstikket ud af kontakten.

Rengør maskinbeklædningerne regelmæssigt med en blød klud, helst efter hver anvendelse. Sørg for, at der ikke er støv eller snavs i ventilationsåbningerne. Fjern snavs, der sidder meget godt fast, med en blød klud, der er fugtet i sæbevand. Brug ikke opløsningsmidler, som f.eks. benzin, sprit, ammoniak osv. Kemikalier som disse beskadiger de syntetiske komponenter.

Udskift elledninger

Hvis forsyningsledningen er beskadiget, skal den udskiftes af producenten, dens serviceagent eller lignende kvalificerede personer for at undgå farer.

Kontrol og udskiftning af kulbørsterne

Hvis kulbørsterne er slidte, skal de udskiftes af producentens kundeserviceafdeling eller en lignende kvalificeret person.



Brug kun den korrekte og originale type kulbørster.

MILJØ



Defekte og/eller bortskaftede elektriske og elektroniske apparater skal afleveres på en passende genbrugsstation.

Kun for lande i EU

Maskinværktøj må ikke bortskaftes sammen med husholdningsaffald. Ifølge EU-direktiv 2012/19/EU om affald af elektrisk og elektronisk udstyr og dets gennemførelse i den nationale lovgivning skal maskinværktøjer, der ikke længere anvendes, afleveres separat og bortskaftes på en miljøvenlig måde.

GARANTI

Garantibetingelserne findes på det garantikort, der er vedlagt separat.

Produktet og brugervejledningen er genstand for ændringer. Specifikationer kan ændres uden yderligere varsel.

SAROKCSISZOLÓ

AGM1110P 710W 100mm

AGM1111P 850W 100mm

AGM1112P 710W 115mm

AGM1113P 850W 115mm

AGM1114P 710W 125mm

AGM1115P 850W 125mm

Köszönjük, hogy Ferm terméket választott. Ezzel egy kiváló termék tulajdonosa lett, Európa egyik vezető szállítójától. Minden Ferm által forgalmazott termék a legszigorúbb teljesítményre és biztonságra vonatkozó szabványok szerint készül. Filozófiánk részeként a nyújtott kiváló vevőszolgálatot teljes körű garanciával is kiegészítjük. Reméljük, termékünket hosszú évekig meglelégedéssel fogja használni.

1. BIZTONSÁGI UTASÍTÁSOK



FIGYELEM

Olvassa el az összes mellékelt biztonsági figyelmeztetést. A figyelmeztetések

és utasítások be nem tartása áramütéshez, tűz keletkezéséhez vagy akár súlyos személyi sérüléshez vezethet. Őrizze meg a biztonsági figyelmeztetéseket és utasításokat későbbre is.

A használati útmutatóban és a terméken a következő jelölésekkel találkozhat:



Olvassa el a használati útmutatót.



A használati útmutató utasításainak be nem tartása esetén balesetveszély, életveszély vagy a szerszám károsodásának veszélyét jelöli.



Áramütés veszélye



Azonnal húzza ki a hálózati csatlakozódugót, ha a kábel megsérült, amikor takarít és, ha karbantartást végez.



Repülő tárgyak veszélye. Ne engedjen bámészkodókat a munkaterületre.



Mindig viseljen szemvédő felszerelést! Vegyen fel hallásvédelmet.



Húzzon fel biztonsági kesztyűt.



Amikor jár a motor, ne nyomja meg a tengelyrögzítő gombot.



Tűzveszély.



A terméket hulladékként ne tegye arra nem alkalmas konténerbe.



A termék megfelel az európai irányelvek rá vonatkozó biztonsági követelményeinek.

Általános munkavédelmi figyelmeztetések köszörülési, és köszörűkoronggal történő darabolási műveletekre vonatkozóan:

- A szerszám gép rendeltetése szerint köszörülésre szolgál. Ismerje meg a szerszám géphez kapott minden figyelmeztetést, utasítást, ábrát és műszaki adatot.** Az alább felsorolt utasítások be nem tartása esetén áramütés, tűz vagy akár súlyos sérülés is bekövetkezhet.
- Csiszolásra, drótkéfézésre, polírozásra nem ajánlott ez a villamos kéziszerszám.** A gépnek a rendeltetésétől eltérő célra történő használata veszélyhelyzetet teremthet, akár személyi sérülést is okozhat.
- Csak kifejezetten a termékhez készült vagy a gyártó által ajánlott tartozékokat használjon.** Attól, hogy valamely tartozék felhelyezhető a gépre, még nem jelenti, hogy biztonságos is a használata.
- A tartozék névleges fordulatszám értéke legalább akkora legyen, mint a villamos kéziszerszámon megadott legnagyobb fordulatszám érték.** A névleges fordulatszámunknál nagyobb sebességgel meghajtott tartozékok könnyen eltörnek, darabjaik szétrepülnek.
- A tartozék külső átmérőt és vastagságot a villamos kéziszerszám terhelhetőségi értékein belül kell megválasztani.** A nem jó méretezésű tartozék nem irányítható megfelelően, ilyen esetben a védőburkolat sem képes megfelelő védelmet nyújtani.

- f) **A menetes rögzítésű tartozékoknak méretben illeszkednie kell a csiszoló tengelymenetére. A karimás rögzítésű tartozékoknál a tengelyfurat méretnek pontosan illenie kell a felfogókarima átmérőhöz.** *Ha a tartozék nem illik a villamos kéziszerszám rögzítő szerelvényébe, nem lesz egyensúlyban, erősen rázkódni fog, sőt a gép akár irányíthatatlanná is válhat miatta.*
- g) **Sérült tartozékot ne használjon. Használat előtt mindig vizsgálja meg, hogy a köszörűkorongon nincs-e hasadás vagy repedés, az alapalátétén nincs-e nyoma repedésnek, törésnek vagy erős kopásnak, a drótkfele drótszálai nincsenek-e kilazulva vagy eltörve. Ha a gép vagy valamelyik tartozéka leesett, ellenőrizze, hogy nem sérült-e meg, vagy szereljen fel másik, ép tartozékot. A tartozék vizsgálatát és felszerelését követően győződjön meg hogy sem Ön, sem más nincs a forgó tartozék síkjában és járassa a gépet egy percen keresztül a legnagyobb üresjárat sebességén.** *Ha a tartozék sérült, ennyi idő alatt rendszerint széttörik.*
- h) **Viseljen személyi védőfelszerelést. Az adott munkától függően arcvédő pajzsot, biztonsági szemüveget vagy védőszemüveget használjon. Szükség esetén porvédő álarcot, hallásvédelmet, kesztyűt, valamint a kisebb csiszolóanyag darabkák és munkadarab forgácsok kivédésére alkalmas védőkötényt is viseljen.** *A szemvédelemnek képesnek kell lennie megvédeni a szemet a különböző műveleteknél keletkező repülő törmeléktől. A porvédő álarcnak vagy légzőkészüléknek ki kell szűrnie a munka közben keletkező részecskéket. Az erős zaj hosszabb idő alatt halláskárosodást tud okozni.*
- i) **Gondoskodjon arról, hogy a bármészakodók biztonságos távolságban maradjanak a munkaterülettől. A munkaterületen mindenkinek személyi védőfelszerelést kell hordania.** *A munkadarabról vagy az esetlegesen törött tartozékról kirepülő forgács a közvetlen munkaterületen túl is sérülést okozhat.*
- j) **A villamos kéziszerszámot mindig csak a szigetelő markolatnál fogja, ha fennáll az esély, hogy a vágótárcsa rejtett vezetékbe vagy a szerszám saját vezetékébe ütközhet.** *Ha a vágótárcsa feszültség alatt levő vezetékhez ér, a szerszám fém részsei feszültség alá kerülve áramütést okozhatnak.*
- k) **A csatlakozózsínór mindig legyen távol a forgó résztől.** *Ha ugyanis elveszíti uralmát a gép felett, akkor előfordulhat, hogy a forgó tartozék elvágja vagy behúzza a csatlakozózsínórt, amely aztán a kezét vagy karját is a forgó tartozéknak rántja.*
- l) **Tilos a gépet letenni, amíg a tartozék forgása teljesen le nem állt.** *Megtörténhet, hogy a forgó tartozék belemar a felületbe, és a gépet kirántja a kezéből.*
- m) **Ne járassa a gépet, miközben az oldalánál lógatva egyik helyről a másikra viszi.** *A forgó tartozék a ruhát véletlenül elkapva a testébe ütközhet.*
- n) **Rendszeresen tisztítsa meg a gépen a szellőző nyílásokat.** *A motor ventilátor ugyanis beszívja a port a házba, a sok összegyűlt fémpor pedig villamosság szempontjából veszélyes helyzetet teremthet.*
- o) **Ne használja a villamos kéziszerszámot tűzveszélyes anyagok közelében.** *A szikrák tüzet okozhatnak.*
- p) **Hűtőfolyadékot igénylő tartozékokat ne használjon.** *A víz vagy más hűtőfolyadék használata áramütést okozhat.*

Visszarúgás és hozzá kapcsolódó figyelmeztetések

A visszarúgás a gép hirtelen reakciója a forgó csiszolókorong, alapalátét, kefe vagy egyéb tartozék megszorulására. A megszorulás hatására a forgó tartozék hirtelen elakad, a kezelő uralma alól kiszabadult gép pedig a tartozéknak a befeszülési ponton fennálló forgásirányával ellentétes irányba lökődik.

Amikor például a köszörűkorong elakad vagy megszorul a munkadarabban, megtörténhet, hogy a korongnak a megszorulási ponton belépő pereme beleváj a munkadarab felületébe, amitől a korong kicsúszik vagy visszarúg. A tárcsa a kezelő irányába vagy ellentétes irányba is lökődhet, attól függően, hogy éppen milyen irányban mozog a korong az elakadási ponton. A csiszolótárcsa ilyen helyzetben könnyen el is törhet. A visszarúgás minden esetben a villamos kéziszerszám rossz használatának, a nem megfelelő munkamódszernek vagy körülménynek a következménye, az alább felsorolt megfelelő óvintézkedésekkel elkerülhető.

- a) Markolja meg erősen a gépet, és tartsa úgy a karját, illetve úgy álljon a gép mellett, hogy le tudja győzni a visszarúgás erejét. Ha van, mindig használja a segédfogantyút, segít legyőzni a visszarúgás erejét és a beindításkor keletkező torziós nyomatókat. A kezelő a torziós nyomatókat, a visszarúgás erejét megfelelő óvintézkedésekkel le tudja győzni.
- b) **Ne tegye kezét a forgó rész közelébe.** A tartozék visszarúghat a kéz felé.
- c) **Soha ne álljon arra a helyre, amely felé visszarúgás esetén a gép mozogná.** Visszarúgáskor a szerszám mindig az ellenkező irányba lendül, mint amilyen irányú a korong mozgása az elakadási ponton.
- d) **Legyen különösen óvatos a sarkoknál, éles széleken stb. Akadályozza meg, hogy a tartozék ide-oda ugráljon vagy befeszüljön.** A sarkok, éles peremek vagy a gép ugrálása miatt a forgó tartozék könnyen megszorul, amitől a gépkezelő elveszítheti uralmát a gép felett vagy a gép visszarúghat.
- e) Tilos a gépre fűrészlancos fafaragó kést vagy fogazott fűrészlapot felerősíteni. Ilyen szerszámok gyakran váltanak ki visszarúgást vagy a gép feletti uralom elvesztését.

Speciális munkavédelmi figyelmeztetések a köszörülési és darabolási műveletekre vonatkozóan:

- a) Mindig a kisépéhez kifejezetten ajánlott korongfajtákat és kifejezetten a kiválasztott korongfajtához előírt védőburkolatot használjon. A kisép rendeltetésének nem megfelelő korongokkal szemben nem lehet kellő védelmet nyújtani, ezért az ilyen korongok használata nem biztonságos.
- b) **A közepén sülyesztett korongok csiszolófelületét a védőburkolat él síkjá alá kell szerelni.** A nem jól felszerelt, a védőburkolat él síkján túlnyúló korong nem kaphat kellő védelmet.
- c) **A védőburkolatot szilárdan kell felerősíteni a kisépre, és szerelési helyzetét úgy kell beállítani, hogy a lehető legnagyobb védelmet nyújtsa, vagyis a korong lehető legkisebb része maradjon fedetlen.** A védőburkolat védi a gépkezelőt a törött korong szétrepülő darabkáitól és attól, hogy véletlenül hozzáérjen a koronghoz, valamint a ruha meggyulladását okozó szikráktól.

- d) **A korongokat kizárólag az ajánlott rendeltetési célra szabad használni. Tilos például köszörülni a daraboló köszörűkorong oldalával.** A daraboló köszörűkorong kerületi csiszolásra, köszörülésre szolgál, a korongra oldalirányban ható erőktől viszont darabokra törhet.
- e) **Mindig a kiválasztott korongnak megfelelő méretű és alakú, ép illesztőperemekkel dolgozzon.** A megfelelő illesztőperemek megtámasztják a korongot, és ezáltal csökkentik a korongtörés esélyét. A daraboló köszörűkorongokhoz alkalmas illesztőperemek eltérhetnek a csiszoló- vagy köszörűkorongokhoz alkalmas illesztőperemektől.
- f) **Ne használjon nagyobb méretű gépeken lekoptatott korongokat.** A nagyobb méretű gépekre való korong nem alkalmas kisebb méretű, nagyobb sebességű géphez, szétrepedhet.

További munkavédelmi figyelmeztetések kifejezetten köszörűkoronggal történő darabolásra:



Darabolást csak speciális nyitott végű védőburkolattal (külön szerezhető be).

- a) Ne „erőltesse” a daraboló köszörűkorongot, és ne gyakoroljon rá túlonult nagy nyomást. **Ne próbáljon túlságosan mélyen vágni vele.** A túl nagy erőhatás fokozza a korong terhelését növelve a korong vágatba szorulásának, görbülésének esélyét, ami visszarúgás vagy korongtörés oka is lehet.
- b) **Soha ne álljon a forgó koronggal egy vonalba vagy a forgó korong mögé.** Amikor a korong a műveletvégzés pontjában éppen távolodik a kezelőtől, egy esetleges visszarúgáskor a forgó korong, a gép egyenesen a gépkezelő felé fog lökődni.
- c) **Ha a korong megszorul vagy valamilyen okból meg kell szakítani a vágást, akkor a gépet kikapcsolás után tartsa mozdulatlanul, amíg a korong forgása teljesen le nem áll. A még forgó korongot ne próbálja kiemelni a vágatból, mert visszarúgás következhet be.** Derítse ki mi okozza a korong megszorulását és szüntesse meg.

- d) A vágást ne indítsa újra úgy, hogy a korong a munkadarabban van. Várjon, amíg a korong eléri teljes fordulatszámát, majd óvatosan engedje vissza a vágatba. A korong beköthet, felfelé kicsúszhat vagy visszarúghat, ha a munkadarabban indítja újra.
- e) **A megszorulás és visszarúgás esélyét csökkentheti a nagy méretű munkadarabok alátámasztásával.** A nagy méretű munkadarabok hajlamosak megereszkedni saját súlyuk alatt. A korong mindkét oldalán, a vágás vonalának közelében és a munkadarab széléhez közel is helyezzen el támasztékokat.
- f) Legyen különösen óvatos, ha bemélyedést vág meglévő falba. A kiálló koronggal belevághat a gáz- és vízvezeték csövekbe, elektromos vezetékbe vagy más tárgyba, ami visszarúgást okozhat.

Elektromos biztonság

Villamos kisgépek használatakor mindig tartsa be az adott ország tűz és áramütés elleni és egyéb balesetek elkerülését célzó szabályokat. Olvassa el a következő biztonsági utasításokat és a géphez mellékelte munkavédelmi utasításokat is.



Mindig ellenőrizze, hogy a hálózati feszültség valóban megegyezzen típus tábla szerinti adatokkal.



II érintésvédelmi osztályú gép - Kettős szigetelés: földvezeték nélküli csatlakozó aljzatról is használható.

Ha a szerszámgépet mindenképpen nedves környezetben kell használni, akkor használjon áramvédő kapcsolóval ellátott tápforrást. Az áramvédő kapcsolóval ellátott tápforrás használatával mérsékelhető az elektromos áramütés veszélye.

2. GÉP ISMERTETÉSE

Rendeltetése

A sarokcsiszoló fém és falazóanyagok köszörülésére szolgál víz használata nélkül. Daraboláshoz külön védőburkolatot kell használni (nem része a csomagnak).

Műszaki adatok

Típus sz.	AGM1110P	AGM1112P	AGM1114P
Hálózati feszültség	220-240 V~		
Hálózati frekvencia	50/60 Hz		
Felvett teljesítmény	710 W		
Névleges fordulatszám	N ₀ 11.000/min		

Köszörűkorong

Átmérő	100 mm	115 mm	125 mm
Furat	16 mm	22 mm	22 mm
Tengelymenet	M10	M14	M14
Súly	1.98 kg	2 kg	2.05 kg
Hangnyomásszint (L _{PA})	86.4 + 3 dB(A)		
Hangteljesítményszint (L _{WA})	97.4 + 3 dB(A)		
Rezgéskibocsátás, "Sikkköszörülés" a _{h,AG}	6.334 + 1.5 m/s ²		

Típus sz.	AGM1111P	AGM1113P	AGM1115P
Hálózati feszültség	220-240 V~		
Hálózati frekvencia	50/60 Hz		
Felvett teljesítmény	850 W		
Névleges fordulatszám	N ₀ 11.000/min		

Köszörűkorong

Átmérő	100 mm	115 mm	125 mm
Furat	16 mm	22 mm	22 mm
Tengelymenet	M10	M14	M14
Súly	1.98 kg	2 kg	2.05 kg
Hangnyomásszint (L _{PA})	86.4 + 3 dB(A)		
Hangteljesítményszint (L _{WA})	97.4 + 3 dB(A)		
Rezgéskibocsátás, "Sikkköszörülés" a _{h,AG}	6.334 + 1.5 m/s ²		

Rezgés értékek

A használati útmutatóban megadott rezgéskibocsátási értékek mérése az EN 60745 sz. szabvány szerinti egységesített eljárással történt; az értékek használhatók gépek összehasonlítására és a munkavégzés közbeni rezgés terhelés előzetes megbecslésére az adott alkalmazási területen

- ha az elektromos kéziszerszámot más területen használják vagy más vagy rossz karban tartott tartozékkal, a rezgés terhelés jelentősen megnövekedhet
- azok az időtartamok, amely alatt a gép üresen jár vagy áll, jelentősen csökkenthetik a tényleges terhelést

Védje magát a rezgés hatásától, tartsa karban a gépet és a tartozékokat, melegítsen be és szeresse meg okosan a munkáját.

Leírás

A szövegbeli számok a 2-3 oldal képeire utalnak.

A ábra

1. Tengelyrögzítő gomb
2. Ki-/bekapcsoló
3. Védőburkolat

B ábra

8. Tengelyorsó
9. Szerelőkarima
10. Korong (nincs a csomagban)
11. Biztosítóanya
12. Kulcs
13. Oldalfogantyú

Összeszerelés



Szerelés előtt mindig kapcsolja ki a gépet és húzza ki a hálózati csatlakozódugót.

A védőburkolat felszerelése (A és B ábra)

- Tegye a gépet az asztalra a tengelyorsó (8) nézzen felfelé.
- Tegye a védőburkolatot (3) az orsóvégre a B ábrán látható módon, ügyelve, hogy a védőburkolat bütykei éppen az orsóvég hornyába kerüljenek.
- A védőburkolatot fordítsa balra.



A gépet védőburkolat nélkül használni tilos.

A tárcsa felhelyezése, levétele (B ábra)

- Mindig a géphez való korongot használjon Ø100mm / Ø115mm / Ø125mm átmérőjűt, a furat 16 / 22 / 22 mm-től kezdődhet, a korong vastagság köszörüléshez 6 mm, daraboláshoz

3 mm lehet, a szerelőkorong nem érhet hozzá a védőburkolathoz.

Felszerelés

- Tegye a gépet az asztalra, a védőburkolat (3) nézzen felfelé.
- Tegye rá a szerelőkarimát (9) a tengelyorsóra (8).
- Tegye rá a korongot (10) a tengelyorsóra (8).
- A tengelyrögzítő gombot (1) nyomva tartva erősen húzza rá a biztosítóanyát (11) az tengelyorsóra (8) a kulccsal (12).

Levétele

- Tegye a gépet az asztalra, a védőburkolat (3) nézzen felfelé.
- A tengelyrögzítő gombot (1) nyomva tartva oldja meg a biztosítóanyát (11) a kulccsal (12).
- Vegye le a korongot (10) a tengelyorsóról (8).
- A tengelyrögzítő gombot (1) nyomva tartva húzza meg szorosra a biztosítóanyát (11) a kulccsal (12).

3. MŰKÖDÉS



A munkadarab legyen rendszeren alátámasztva vagy rögzítve, a csatlakozó vezetékét a munkaterületen kívül vezesse.

Bekapcsolás, kikapcsolás (A ábra)

- A gép bekapcsolásakor nyomja meg a bekapcsoló kapcsolót (2).
 - A gép kikapcsolásakor engedje el a bekapcsoló kapcsolót (2).
- A gép bekapcsolásakor, kikapcsolásakor tartsa a munkadarabtól távol a gépet, mert a korong kárt tehet a munkadarabban.
- Erősen fogja be vagy más módszerrel biztosítsa, hogy a munkadarab ne mozdulhasson el munka közben.
 - Rendszeresen ellenőrizze a korongot. Ha kopott a korong, a gép teljesítménye gyengül. Időben cserélje a korongot.
 - Használat után először mindig kapcsolja ki a gépet, csak azután húzza ki a hálózati csatlakozódugót.

Sorjátlanítás (C ábra)

Sorjátlanításkor legjobb eredményt 30° - 40° fok közötti dőlésszöggel lehet elérni. Enyhe nyomással

mozgassa a gépet előre-hátra. Így elkerülhető, hogy a munkadarab elszíneződjön, túlságosan felmelegedjen és nem képződnek barázdák.



Soha ne használjon sorjátlanításhoz daraboló köszőrűkövet!

Vágás (D ábra)

Daraboláshoz külön védőburkolatot kell használni (nem része a csomagnak).

Biztosan érjen a munkadarabhoz, hogy ne rezegjen, vágáskor ne döntse és ne is fejtse ki nyomást. Munka közben a megmunkált anyaghoz megfelelő, mérsékelt nyomást fejtse ki. Ne lassítsa a korongot oldalirányú ellennyomással. Az irány a fontos, amerre a vágás történik. A gépnek mindig a vágás irányában kell dolgoznia; ne mozgassa a gépet a másik irányba! Fennáll a veszély, hogy a gép a vágásba kap, visszarúgás következhet be vagy irányíthatatlanná válhat.

Hasznos ötletek

- Fogja be a munkadarabot. Kis munkadaraboknál használjon satut.
- Mindkét kezével tartsa a gépet.
- Kapcsolja be a gépet.
- Várja meg, amíg a gép teljes sebességre gyorsul.
- Helyezze rá a korongot a munkadarabra.
- Lassan mozgassa a gépet a munkadarabon, közben szilárdan nyomja a korongot a munkadarabnak.
- Ne nyomja túl erősen a gépet. Hagyja, hogy a gép dolgozzon.
- Kapcsolja ki a gépet, majd várja meg, amíg teljesen leáll, csak utána tegye le.

4. KARBANTARTÁS

Hálózati csatlakozódugó csere (csak Nagy-Britannia)

Ha az egység 3 villás csatlakozódugója tönkremegy és cserélni kell, fontos, hogy rendesen meg legyen semmisítve és BS 1363/13A biztosítékos csatlakozódugóra legyen cserélve a következő bekötést követve: A hálózati kábel vezetékének jelölése a következő:

- kék nullavezeték
- barna fázis

Mivel az egység hálózati csatlakozókábelében a vezetékek színei nem feltétlenül felelnek meg a dugó kapcsainak, a következőképpen járjon el:

- A kék színű vezetéket a dugó N-nel jelölt vagy fekete színű kapcsára kell kötni.
- A barna színű vezetéket a dugó L-lel jelölt vagy piros színű kapcsára kell kötni.



Tisztítás és karbantartás előtt mindig kapcsolja ki a gépet és húzza ki a hálózati csatlakozódugót.

A gép vázat rendszeresen, lehetőleg minden használat után törölje át puha ruhával. Ellenőrizze, hogy a szellőzőnyílásokat por, piszkok ne tömje el. Makacs szennyeződésekhez használjon szappanos vízzel átitatott ruhát. Oldószert, gázolajat, alkoholt, ammóniát stb ne használjon. Ezek a vegyszerek kárt tesznek a szintetikus részekben.

Csatlakozó zsinór csere

Ha a hálózati csatlakozódugó megsérült, a veszélyhelyzetek elkerülése érdekében ki kell cseréltetni a gyártóval, megbízott szervizzel vagy más, hasonlóan képzett személlyel.

A szénkefék ellenőrzése, cseréje

Ha a szénkefék elkoptak, a gyártó vevőszolgálatával vagy más, hasonlóképp jogosult személlyel ki kell cseréltetni.



Csak az eredetivel megegyező típusú szénkeféket szabad használni.

KÖRNYEZETVÉDELEM



A hibás vagy már feleslegessé vált elektromos, elektronikus készülékeket az ezzel foglalkozó begyűjtő helyeken kell leadni.

Csak EU országokban

Villamos kéziszerszámok nem kerülhetnek a háztartási hulladékba. Az elektromos és elektronikai hulladékokra vonatkozó, 2012/19/EU európai irányelv és annak a nemzeti törvénykezésbe történő átültetése értelmében az elhasználdott elektromos készülékeket külön kell gyűjteni és hulladékot környezetbarát módon kell kezelni.

JÓTÁLLÁS

A jótállási feltételek a mellékelt külön jótállási jegyen találhatóak.

A termék és a használati útmutató változtatásának jogát fenntartjuk. A műszaki adatok előzetes bejelentés nélkül változhatnak.

ÚHLOVÁ BRUSKA

AGM1110P 710W 100mm
 AGM1111P 850W 100mm
 AGM1112P 710W 115mm
 AGM1113P 850W 115mm
 AGM1114P 710W 125mm
 AGM1115P 850W 125mm

Děkujeme vám za zakoupení tohoto výrobku značky Ferm. Nyní máte k dispozici vynikající výrobek dodávaný jedním z hlavních evropských dodavatelů. Všechny výrobky dodávané společností Ferm jsou vyráběny podle požadavků nejnáročnějších norem týkajících se výkonu a bezpečnosti. Jako součást naší firemní filozofie poskytujeme také vynikající zákaznický servis, který je podporován naší komplexní zárukou. Doufáme, že vám náš výrobek bude řádně sloužit mnoho let.

1. BEZPEČNOSTNÍ POKYNY



VAROVÁNÍ

Přečtěte si přiložené bezpečnostní výstrahy, dodatečné bezpečnostní výstrahy a bezpečnostní pokyny. Nebudete-li dodržovat tyto bezpečnostní výstrahy a pokyny, může dojít k úrazu elektrickým proudem, k vzniku požáru nebo k způsobení vážného zranění. **Uchovejte tyto bezpečnostní výstrahy a pokyny pro budoucí použití.**

V tomto návodu nebo na výrobku jsou použity následující symboly:



Přečtěte si návod k obsluze.



Upozorňuje na riziko zranění osob, ztráty života nebo poškození nářadí, nebudou-li dodržovány pokyny uvedené v tomto návodu.



Riziko úrazu způsobeného elektrickým proudem



Ihned odpojte zástrčku napájecího kabelu od síťové zásuvky, dojde-li k jeho poškození nebo provádíte-li čištění a údržbu.



Riziko zranění odlétávajícími předměty.
Zamezte přístupu nepovolaných osob do pracovního prostoru.



Vždy používejte ochranu zraku!
Používejte ochranu sluchu.



Používejte ochranné rukavice.



Je-li motor v chodu, netiskněte
zajišťovací tlačítko vřetena.



Riziko způsobení požáru.



Nevyhazujte tento výrobek do
nevhodného kontajneru.



Tento výrobek je vyroben v souladu s
platnými bezpečnostními normami, které
jsou uvedeny ve směrnících EU.

Společné bezpečnostní výstrahy pro brusné i řezné pracovní operace:

- Toto elektrické nářadí je určeno k tomu, aby bylo používáno jako nářadí pro broušení. Přečtěte si všechny bezpečnostní výstrahy, pokyny, ilustrace a technické údaje dodané s tímto elektrickým nářadím. Nebudete-li dodržovat všechny níže uvedené pokyny, může dojít k úrazu elektrickým proudem, k vzniku požáru nebo k způsobení vážného zranění.**
- Pracovní operace, jako jsou broušení, používání drátěných kartáčů, leštění, nejsou doporučeny, aby byly prováděny pomocí tohoto elektrického nářadí. Pracovní operace, pro které není toto elektrické nářadí určeno, mohou vytvářet určitá rizika a mohou vést k způsobení zranění.**
- Nepoužívejte příslušenství, které není specificky navrženo a doporučeno výrobcem tohoto nářadí. Jen to, že může být příslušenství připevněno k vašemu nářadí, nezaručuje jeho bezpečné použití.**
- Jmenovité otáčky příslušenství musí minimálně odpovídat maximálním otáčkám uvedeným na štítku nářadí. Příslušenství pohybující se rychleji, než jsou jeho jmenovité otáčky, se může rozlomit a může se rozletět na různé strany.**
- Vnější průměr a tloušťka vašeho příslušenství musí odpovídat kapacitě vašeho elektrického nářadí. Příslušenství s nesprávnou velikostí nemůže být odpovídajícím způsobem chráněno a ovládáno.**
- Montážní závity příslušenství se musí shodovat se závitem vřetena brusky. U příslušenství montovaného pomocí přírub se musí upínací otvor pro hřídel shodovat s polohovacím průměrem příruby. Příslušenství, která se neshodují s montážními prvky elektrického nářadí, budou nevyvážená, budou nadměrně vibrovat a mohou způsobit ztrátu ovladatelnosti.**
- Nepoužívejte poškozené příslušenství. Před každým použitím zkontrolujte příslušenství, jako jsou řezací kotouče, zda nejsou popraskány nebo jinak poškozeny, dále podpěrné podložky, zda nejsou prasklé, roztrhané nebo nadměrně opotřebované a zda nejsou příliš uvolněny nebo ulámaný dráty kartáče. Dojde-li k pádu elektrického nářadí nebo příslušenství, zkontrolujte, zda nedošlo k jejich poškození nebo použijte nepoškozené příslušenství. Po kontrole a instalaci příslušenství se postavte vy i ostatní osoby tak, abyste nestáli v ose rotace otáčejícího se příslušenství a uveďte elektrické nářadí na jednu minutu do maximálních otáček. Během této zkušební doby dojde u poškozeného příslušenství běžně k jeho zničení.**
- Používejte prvky osobní ochrany. Podle prováděné práce používejte obličejový štít a ochranné nebo bezpečnostní brýle. V závislosti na provozních podmínkách používejte masku proti prachu, ochranu sluchu, rukavice a dílenskou zástěru, která je schopná odolat odlétávajícím částicám materiálu. Ochrana zraku musí být schopna zastavit odlétávající částičky materiálu vznikající při různých operacích. Masky proti prachu nebo respirátor musí být schopny filtrovat částičky vytvářené při prováděné práci. Dlouhodobé působení vysoké hluchnosti může způsobit ztrátu sluchu.**
- Udržujte okolo stojící osoby v bezpečné vzdálenosti od pracovního prostoru. Každá**

osoba vstupující do pracovního prostoru musí používat prvky osobní ochrany.

Odlétávající fragmenty obrobku nebo úlomky příslušenství mohou způsobit zranění i mimo bezprostřední pracovní prostor.

- j) **Při provádění prací, během kterých se může pracovní nástroj dostat do kontaktu se skrytým elektrickým vedením nebo s vlastním napájecím kabelem, držte elektrické nářadí pouze za izolovaná místa určená pro úchop.** *Pracovní příslušenství, které se dostane do kontaktu s „živým“ elektrickým vodičem, může způsobit, že nechráněné kovové části nářadí budou také „živé“, což by mohlo vést k úrazu obsluhy elektrickým proudem.*
- k) **Ved'te napájecí kabel tak, aby se nedostal do blízkosti rotujícího příslušenství.** *Dojde-li k vaší nepozornosti, napájecí kabel může být přetržen nebo může dojít k jeho zachycení a vaše ruce nebo paže může být vtahena do rotujícího příslušenství.*
- l) **Nikdy elektrické nářadí neodkládejte, dokud nedojde k úplnému zastavení jeho pracovního příslušenství.** *Rotující příslušenství se může zachytit o povrch, čímž může dojít k ztrátě kontroly nad nářadím.*
- m) **Přenášíte-li elektrické nářadí v ruce podél těla, nikdy jej nespouštějte.** *Při náhodném kontaktu s rotujícím pracovním příslušenstvím, které by se mohlo zachytit o váš oděv, by mohlo dojít k vašemu zranění.*
- n) **Pravidelně čistěte větrací otvory elektrického nářadí.** *Ventilátor motoru bude nasávat prach do skříně motoru a nadměrné nahromadění kovového prachu uvnitř nářadí může způsobit závadu nebo úraz elektrickým proudem.*
- o) **Nepoužívejte elektrické nářadí v blízkosti hořlavých materiálů.** *Jiskry mohou způsobit vznícení těchto materiálů.*
- p) **Nepoužívejte pracovní nástroje vyžadující použití chladicí kapaliny.** *Použití vody nebo jiné chladicí kapaliny může vést k smrtelnému nebo k vážnému zranění elektrickým proudem.*

Zpětný ráz a příslušná rizika

Zpětný ráz je náhlou reakcí na zaseknutí nebo zablokování rotujícího kotouče, podpěrné podložky, kartáče nebo jiného pracovního příslušenství. Zaseknutí nebo zablokování způsobí rychlé zastavení rotujícího pracovního

příslušenství, což způsobí nekontrolovaný pohyb elektrického nářadí v opačném směru, než je směr otáčení pracovního příslušenství v místě jeho zablokování. Dojde-li například k zaseknutí nebo zablokování brusného kotouče v obrobku, část kotouče, která vniká do místa zablokování, se může zaryt do povrchu materiálu, což způsobí vyběhnutí nebo vyhození kotouče. Kotouč může vyskočit směrem k obsluze nebo směrem od obsluhy, v závislosti na směru pohybu kotouče v místě jeho zablokování. V takových situacích dochází také k prasknutí brusných kotoučů. Zpětný ráz vzniká v důsledku nesprávného použití elektrického nářadí nebo v důsledku nesprávných provozních postupů či provozních podmínek. Zpětnému rázu může být zabráněno, budou-li dodržovány níže uvedené pokyny.

- a) **Stále udržujte pevný úchop elektrického nářadí a udržujte takovou polohu vašeho těla a paží, která vám umožní odolávat silám zpětného rázu. Vždy používejte přídatnou rukojeť, je-li dodána s tímto nářadím, aby byla zaručena maximální ovladatelnost i v případě zpětného rázu nebo během momentové reakce při spuštění nářadí.** *Jsou-li prováděna správná opatření, obsluha může zvládat momentové reakce nebo síly zpětného rázu.*
- b) **Nikdy nepokládejte vaše ruce do blízkosti rotujícího příslušenství.** *Mohlo by dojít k zpětnému rázu příslušenství přes vaše ruce.*
- c) **Nestoupejte si do prostoru, do kterého se bude pohybovat elektrické nářadí, dojde-li k zpětnému rázu.** *Zpětný ráz způsobí pohyb nářadí ve směru, který je opačný, než je pohyb kotouče v místě jeho zablokování.*
- d) **Při práci v rozích nebo na hranách obrobků buďte velmi opatrní. Zabraňte odražení a zachytávání pracovního příslušenství.** *Rohy, ostré hrany nebo odsakování mají tendenci způsobovat zablokování rotujícího pracovního příslušenství a mohou způsobit ztrátu kontroly nad nářadím nebo jeho zpětný ráz.*
- e) **Nepoužívejte s touto bruskou kotouče s řetězem pro řezání dřeva nebo ozubené pilové kotouče.** *Při použití těchto kotoučů dochází často k zpětným rázům a k ztrátě kontroly nad nářadím.*

Bezpečnostní výstrahy specifické pro brusné i řezné pracovní operace:

- a) **Používejte pouze typy kotoučů, které jsou doporučeny pro vaše elektrické nářadí a specifický ochranný kryt určený pro zvolený kotouč.** *Kotouče, pro které není toto elektrické nářadí určeno, nemohou být odpovídajícím způsobem chráněny a jsou nebezpečné.*
- b) **Brusná plocha kotoučů s prohloubeným středem musí být namontována pod rovinou okraje ochranného krytu.** *Nesprávně namontovaný kotouč, který přečnává přes rovinu okraje ochranného krytu, nemůže být odpovídajícím způsobem chráněn.*
- c) **Ochranný kryt musí být řádně a bezpečně připevněn k elektrickému nářadí a musí být nastaven tak, aby byla zaručena maximální bezpečnost. Směrem k obsluze může být odkryta pouze minimální část kotouče.** *Tento ochranný kryt pomáhá chránit obsluhu před ulomenými fragmenty kotouče, před náhodným kontaktem s kotoučem a před jiskrami, které by mohly způsobit vznícení oděvu.*
- d) **Kotouče mohou být použity pouze pro doporučené aplikace. Neprovádějte například broušení boční plochou řezacího kotouče.** *Řezací kotouče jsou určeny pro obvodové broušení a boční síly působící na tyto kotouče mohou způsobit jejich roztříštění.*
- e) **Vždy používejte nepoškozené příruby kotoučů, které mají správnou velikost a tvar odpovídající zvolenému kotouči.** *Správné zvolené příruby podírají kotouč a omezují riziko jeho zlomení. Příruby určené pro řezací kotouče mohou být odlišné od přírub pro brusné kotouče.*
- f) **Nepoužívejte opotřebované kotouče z větších brusek.** *Kotouč určený pro větší elektrické nářadí není vhodný pro vyšší otáčky menšího nářadí a může být zničen.*

Doplňkové bezpečnostní výstrahy specifické pro řezné pracovní operace:



Řezné operace mohou být prováděny pouze se speciálním ochranným krytem (není dodáván).

- a) **Dbejte na to, aby nedošlo k zablokování řezného kotouče a nevyvíjejte na něj příliš velký tlak. Nepokoušejte se provádět řezání s příliš velkou hloubkou řezu. Nadměrné namáhání kotouče zvyšuje jeho zatížení a jeho sklon ke kroucení nebo zasekávání v řezu a možnost zpětného rázu nebo jeho zlomení.**
- b) **Nestoupejte si tak, abyste stáli v ose kotouče nebo za rotujícím kotoučem.** *Pohybuje-li se kotouč v místě zablokování směrem od vašeho těla a dojde-li k zpětnému rázu, rotující kotouč a nářadí mohou být odhozeny přímo na vás.*
- c) **Dojde-li z jakéhokoli důvodu k zablokování kotouče nebo k přerušení řezu, vypněte elektrické nářadí a držte toto nářadí bez pohybu, dokud nedojde k úplnému zastavení kotouče. Nikdy se nepokoušejte vyjmout řezný kotouč z řezu, je-li tento kotouč v pohybu, protože by mohlo dojít k zpětnému rázu. Přezkoumejte situaci a proveďte opravnou akci, abyste eliminovali příčinu zablokování kotouče.**
- d) **Nezahajujte znovu řez, nachází-li se kotouč v obrobku. Počkejte, dokud kotouč nedosáhne maximálních otáček a opatrně jej zaveďte do řezu. Dojde-li k opětovnému spuštění nářadí v řezu, kotouč se může zaseknout, vyskočit z řezu nebo může dojít k zpětnému rázu.**
- e) **Rozměrné panely nebo příliš velké obrobky si podepřete, abyste minimalizovali riziko přivření kotouče a zpětného rázu. Velké obrobky mají tendenci se působením vlastní hmotnosti prohýbat. Podpěry musí být umístěny pod obrobkem v blízkosti čáry řezu a v blízkosti okrajů na obou stranách obrobků.**
- f) **Bud'te velmi opatrní při provádění ponorných řezů do stávajících stěn nebo do jiných ploch, ze kterých nevidíte. Přesahující část kotouče může přeřezat plynové nebo vodovodní potrubí, elektrické vedení nebo předměty, které mohou způsobit zpětný ráz.**

Elektrická bezpečnost

Používáte-li elektrická zařízení, vždy dodržujte platné bezpečnostní předpisy, aby bylo omezeno riziko způsobení požáru, úrazu elektrickým proudem nebo zranění osob. Přečtěte si následující bezpečnostní pokyny i příložené bezpečnostní pokyny.



Vždy zkontrolujte, zda napájecí napětí sítě odpovídá napájecímu napětí na štítku nářadí.



Nářadí třídy II - Dvojitá izolace - Není nutné použití uzemňovacího vodiče.

Musíte-li používat toto elektrické nářadí ve vlhkém prostředí, používejte v elektrickém obvodu proudový chránič (RCD). Použití proudového chrániče (RCD) snižuje riziko úrazu elektrickým proudem.

2. INFORMACE O NÁŘADÍ

Určené použití

Vaše úhlová bruska je určena pro broušení stavebních a ocelových materiálů bez použití vody. Provádíte-li řezání, musíte použít speciální ochranný kryt (není dodáván)

Technické údaje

Číslo modelu	AGM1110P	AGM1112P	AGM1114P
Napájecí napětí	220-240 V~		
Frekvence	50/60 Hz		
Příkon	710 W		
Jmenovité otáčky	N ₀ 11.000/min		

Kotouč pro broušení

Průměr	100 mm	115 mm	125 mm
Upínací otvor	16 mm	22 mm	22 mm
Závít vřetena	M10	M14	M14
Hmotnost	1.98 kg	2 kg	2.05 kg
Akustický tlak (L _{PA})	86.4 + 3 dB(A)		
Akustický výkon (L _{WA})	97.4 + 3 dB(A)		
Vibrace při broušení povrchu a _{h,AG}	6.334 + 1.5 m/s ²		

Číslo modelu	AGM1111P	AGM1113P	AGM1115P
Napájecí napětí	220-240 V~		
Frekvence	50/60 Hz		
Příkon	850 W		
Jmenovité otáčky	N ₀ 11.000/min		
Kotouč pro broušení			
Průměr	100 mm	115 mm	125 mm
Upínací otvor	16 mm	22 mm	22 mm
Závít vřetena	M10	M14	M14
Hmotnost	1.98 kg	2 kg	2.05 kg
Akustický tlak (L _{PA})	86.4 + 3 dB(A)		
Akustický výkon (L _{WA})	97.4 + 3 dB(A)		
Vibrace při broušení povrchu a _{h,AG}	6.334 + 1.5 m/s ²		

Vibrace

Velikost vibrací uvedená v tomto návodu k obsluze byla měřena podle normalizovaných požadavků, které jsou uvedeny v normě EN 60745 a může být použita pro vzájemné srovnání jednotlivých nářadí mezi sebou a tato hodnota může být použita pro předběžný odhad vibrací působících na obsluhu při uvedených aplikacích

- použití tohoto nářadí pro jiné aplikace, nebo s odlišným nebo nedostatečně udržovaným příslušenstvím, může značně zvýšit hodnotu působících vibrací
- doba, kdy je nářadí vypnuto nebo kdy je v chodu naprázdno, může dobu působení vibrací na obsluhu značně zkrátit

Chraňte se před působením vibrací prováděním řádné údržby tohoto nářadí i jeho příslušenství, udržujte vteple a provádějte práci správným způsobem.

Popis

Čísla v následujícím textu odkazují na obrázky na stranách 2 - 3.

Obr. A

1. Zajišťovací tlačítko vřetena
2. Spínač zapnuto/vypnuto
3. Ochranný kryt

Obr. B

8. Vřeteno
9. Montážní příruba
10. Kotouč (není dodáván)
11. Upínací matice
12. Boční rukojeť
13. Boční rukojeť

Sestavení

Před sestavením nářadí vždy vypněte a odpojte zástrčku napájecího kabelu od síťové zásuvky.

Montáž ochranného krytu (obr. A a B)

- Položte nářadí na stůl tak, aby vřeteno (8) směřovalo nahoru.
- Položte ochranný kryt (3) na hlavu nářadí, jak je zobrazeno na obr. B a ujistěte se, zda výstupky na ochranném krytu zapadnou do drážek na hlavě nářadí.
- Otočte ochranný kryt proti směru pohybu hodinových ručiček.



Nikdy se nepokoušejte používat toto nářadí bez ochranného krytu.

Montáž a demontáž kotouče (obr. B)

- Vždy použijte kotouč, který je vhodný pro toto nářadí, s průměrem $\varnothing 100\text{mm}$ / $\varnothing 115\text{mm}$ / $\varnothing 125\text{mm}$ a s průměrem upínacího otvoru 16 / 22 / 22 mm. Tloušťka kotouče pro broušení by měla být 6 mm a 3 mm u kotouče pro řezání. Namontovaný kotouč se nesmí dotýkat ochranného krytu.

Montáž

- Položte nářadí na stůl tak, aby byl ochranný kryt (3) otočen nahoru.
- Namontujte přírubu (9) na vřeteno (8).
- Nasadte kotouč (10) na vřeteno (8).
- Držte stisknuto zajišťovací tlačítko (1) a pomocí klíče (12) pevně utáhněte upínací matici (11) na vřetenu (8).

Demontáž

- Položte nářadí na stůl tak, aby byl ochranný kryt (3) otočen směrem nahoru.
- Držte řádně stisknuto zajišťovací tlačítko (1) a pomocí klíče (12) povolte upínací matici (11).
- Sejměte kotouč (10) z vřetena (8).
- Držte řádně stisknuto zajišťovací tlačítko (1)

a pomocí klíče (12) pevně utáhněte upínací matici (11).

3. POUŽITÍ

Ujistěte se, zda je obrobek řádně podepřen nebo upevněn a vedle napájecí kabel nářadí mimo pracovní prostor.

Zapnutí a vypnutí (obr. A)

- Chcete-li nářadí zapnout, držte spínač zapnuto/vypnuto (2).
- Chcete-li nářadí vypnout, uvolněte spínač zapnuto/vypnuto (2).

Při zapínání a vypínání držte nářadí v bezpečné vzdálenosti od obrobku, protože by kotouč mohl poškodit obrobek.

- Proveďte řádné upnutí obrobku nebo použijte jinou metodu pro jeho upevnění, abyste zajistili, že během práce nebude docházet k jeho pohybu.
- Provádějte pravidelnou kontrolu kotoučů. Opatřebované kotouče snižují účinnost brusky. Provádějte výměnu nových kotoučů včas.
- Po použití vždy před odpojením zástrčky napájecího kabelu od síťové zásuvky vypněte nářadí.

Odstraňování otřepů (obr. C)

Při odstraňování otřepů vám sklon kotouče v úhlu 30° až 40° zaručí nejlepší výsledky. S mírným přitlakem pohybujte s nářadím dopředu a dozadu. Tak zabráníte změně barvy obrobku nebo jeho příliš velkému zahřátí a zabráníte vytváření drážek.



Nikdy nepoužívejte řezné kotouče pro odstraňování otřepů!

Řezání (obr. D)

Provádíte-li řezání, musíte použít speciální uzavřený ochranný kryt (není dodáván). Udržujte pevný kontakt s obrobkem, abyste zabránili působení vibrací a kotouč při řezání nenakláníte a nevyvíjíte na něj boční tlak. Při práci používejte pouze přiměřený tlak, který bude odpovídat právě obráběnému materiálu. Neprovádějte zpomalování kotouče vyvíjením bočního tlaku na kotouč. Směr, jakým chcete

provádět řez, je velmi důležitý. Nářadí musí vždy pracovat proti směru řezu, a proto nikdy nepohybujte nářadím v jiném směru! V takovém případě by hrozilo riziko zablokování nářadí v řezu, což by vedlo k způsobení zpětného rázu a k následné ztrátě kontroly nad nářadím.

Rady pro optimální použití

- Upněte obrobek. Používejte upínací zařízení pro malé obrobky.
- Držte nářadí oběma rukama.
- Zapněte nářadí.
- Počkejte, dokud nářadí nedosáhne maximálních otáček.
- Přiložte kotouč k obrobku.
- Pomalu pohybujte nářadím podél obrobku a řádně přitlačujte kotouč k obrobku.
- Nevytvíjejte na nářadí příliš velký tlak. Nechejte nářadí pracovat jeho vlastním tempem.
- Před odložením nářadí vypněte a počkejte, dokud nedojde k úplnému zastavení jeho pracovního příslušenství.

4. ÚDRŽBA

Výměna síťové zástrčky (Pouze UK)

Dojde-li k poškození zástrčky se třemi kolíky, která je připojena k napájecímu kabelu nářadí a musí-li být tato zástrčka vyměněna, je důležité, aby byla původní zástrčka řádně zničena. Musí být nahrazena schválenou zástrčkou BS 1363, která je opatřena pojistkou 13A. Při zapojování vodičů postupujte podle následujících pokynů. Vodiče v napájecím kabelu mají následující barevné označení:

modrá nulový vodič
hnědá živý vodič

Protože vodiče v napájecím kabelu nářadí nemusí odpovídat barevnému označení příslušných svorek v zástrčce, postupujte následovně:

- Vodič, který má modrou barvu, musí být připojen k svorce, která je označena písmenem N nebo která má černou barvu.
- Vodič, který má hnědou barvu, musí být připojen k svorce, která je označena písmenem L nebo která má červenou barvu.



Před čištěním a prováděním údržby nářadí vždy vypněte a odpojte zástrčku napájecího kabelu od síťové zásuvky.

Pravidelně čistěte kryt nářadí měkkým hadříkem, pokud možno po každém použití. Ujistěte se, zda nejsou větrací otvory zaneseny prachem nebo jinými nečistotami. Odolnější nečistoty odstraňte pomocí měkkého hadříku navlhčeného v mýdlové pěně. Nepoužívejte žádná rozpouštědla, jako jsou benzín, líh, čpavek atd. Takové chemické látky mohou způsobit poškození dílů z umělé hmoty.

Výměna napájecího kabelu

Dojde-li k poškození napájecího kabelu, musí být vyměněn výrobcem, jeho autorizovaným servisem nebo osobou s příslušnou kvalifikací, aby bylo zabráněno možným rizikům.

Kontrola a výměna uhlíků

Jsou-li uhlíky opotřebovány, musí být provedena jejich výměna v autorizovaném servisu výrobce nebo technikem s příslušnou kvalifikací.



Používejte pouze správný a originální typ uhlíků.

OCHRANA ŽIVOTNÍHO PROSTŘEDÍ



Poškozená a likvidovaná elektrická nebo elektronická zařízení musí být odevzdána ve sběrných dvorech, které jsou určeny pro tento účel.

Pouze pro země EU

Nevyhazujte elektrická nářadí do běžného domácího odpadu. Podle evropské směrnice 2012/19/EU týkající se likvidace elektrických a elektronických zařízení a její implementace do vnitrostátního práva, musí být nepoužívaná elektrická nářadí shromažďována odděleně a jejich likvidace musí být provedena tak, aby nedošlo k ohrožení životního prostředí.

ZÁRUKA

Záruční podmínky můžete nalézt na přiloženém záručním listě.

Na tomto výrobku a v tomto návodu mohou být prováděny změny. Technické údaje mohou být změněny bez předchozího upozornění.

UHLOVÁ BRÚSKA

AGM1110P 710W 100mm
 AGM1111P 850W 100mm
 AGM1112P 710W 115mm
 AGM1113P 850W 115mm
 AGM1114P 710W 125mm
 AGM1115P 850W 125mm

Ďakujeme vám, že ste si zakúpili produkt značky Ferm. Získali ste tým špičkový produkt od jedného z popredných európskych dodávateľov. Všetky produkty, ktoré vám boli dodané spoločnosťou Ferm sa vyrábajú podľa najvyšších štandardov výkonu a bezpečnosti. V rámci našej podnikovej filozofie poskytujeme aj špičkové zákaznícke služby v kombinácii s komplexnou zárukou. Dúfame, že náš produkt vám bude dobre slúžiť ešte mnoho rokov.



Vždy majte nasadenú ochranu zraku!
 Majte nasadenú ochranu sluchu.



Majte nasadené ochranné rukavice.



Tlačidlo blokovania vretena nestláčajte,
 kým je motor v prevádzke.



Riziko požiaru.



Produkt nelikvidujte v nevhodných
 kontajneroch.



Produkt je v súlade s platnými
 bezpečnostnými štandardmi
 obsiahnutými v európskych smerniciach.

1. BEZPEČNOSTNÉ POKYNY



VAROVANIE

Prečítajte si priložené bezpečnostné varovania, doplnkové bezpečnostné varovania a pokyny. Nedodržanie bezpečnostných varovaní a pokynov môže mať za následok zásah elektrickým prúdom, vznik požiaru a/alebo vážnu ujmu na zdraví. **Všetky bezpečnostné varovania a pokyny si odložte na budúce použitie.**

V používateľskej príručke alebo priamo na produkte nájdete nasledujúce symboly:



Prečítajte si používateľskú príručku.



Vypovedá o riziku ujmy na zdraví,
 usmrtenia a poškodenia náradia v prípade
 nedodržania pokynov v tejto príručke.



Riziko zásahu elektrickým prúdom



V prípade poškodenia napájacieho kábla
 okamžite odpojte napájací kábel od
 elektrickej siete. To isté platí v prípade
 čistenia a údržby.



Riziko odletujúcich objektov. Zabezpečte,
 aby sa v pracovnej oblasti nenachádzali
 okoloidúci.



Bezpečnostné varovania typické pre brúsenie a abrazívne rezanie:

- Toto elektrické náradie má slúžiť ako brúska. Preštudujte si všetky bezpečnostné varovania, pokyny, obrázky a špecifikácie dodávané s týmto elektrickým náradím. Nedodržanie všetkých pokynov môže mať za následok zásah elektrickým prúdom, vznik požiaru a/alebo vážnu ujmu na zdraví.
- Činnosti ako šmirgľovanie, brúsenie drôtenou kefou a leštenie sa nemajú vykonávať týmto elektrickým náradím. Činnosti, na ktorých realizáciu toto elektrické náradie *nie je určené*, môžu byť nebezpečné a spôsobiť ublíženie na zdraví.
- Nepoužívajte príslušenstvo, ktoré nebolo špecificky navrhnuté alebo odporučené výrobcom náradia. Samotná skutočnosť, že sa príslušenstvo dá upevniť na vaše elektrické náradie, ešte *nie je* zárukou jeho bezpečnej prevádzky.
- Nominálne otáčky príslušenstva sa musia minimálne rovnať maximálnym otáčkam uvedeným na elektrickom náradí. Príslušenstvo prevádzkované nad hranicou nominálnych otáčok sa môže odlomiť a rozletieť sa.
- Vonkajší priemer a hrúbka príslušenstva musí spĺňať nominálnu kapacitu elektrického náradia. Príslušenstvo nesprávnej

veľkosti sa nedá riadne chrániť krytmi a ovládať.

- f) **Pri montovaní príslušenstva so závitom musí byť zaručená zhoda s rozmerom závitu na vretene brúsky. V prípade príslušenstva upevňovaného pomocou prírub musí besiedkový otvor príslušenstva zodpovedať lokačnému priemeru príruby.** *Príslušenstvo, ktoré nedosahuje zhodu s montážnym hardvérom elektrického náradia, bude pracovať nevyvážené, bude nadmerne vibrovať a môže spôsobiť stratu kontroly.*
- g) **Nepoužívajte poškodené príslušenstvo. Pred každým použitím príslušenstvo ako abrazívne kolieska skontrolujte z hľadiska prítomnosti prasklín a odrenín, podkladovú podložku z hľadiska prítomnosti prasklín, trhlín alebo nadmerného opotrebenia a drôtenú kefu z hľadiska prítomnosti uvoľnených alebo prasknutých drôtov. Ak elektrické náradie alebo príslušenstvo spadne na zem, skontrolujte, či sa nepoškodilo alebo namontujte nepoškodené príslušenstvo. Po kontrole a namontovaní príslušenstva sa spolu s okolostojacimi osobami postavte mimo rovinu rotujúceho príslušenstva a nechajte elektrické náradie jednu minútu pracovať pri maximálnej rýchlosti bez záťaže.** *Poškodené príslušenstva sa za normálnych okolností v tomto časovom intervale rozpadne.*
- h) **Používajte prostriedky osobnej ochrany. V závislosti od účelu použitia si nasadzte tvárový štít, ochranné okuliare alebo ochranné rukavice. Podľa potreby si nasadzte protiprachovú masku, ochranu sluchu, rukavice a pracovnú zásteru schopnú zastaviť drobné abrazívne úlomky odletujúce z obrobku. Ochrana zraku musí byť schopná zastaviť odletujúce úlomky vznikajúce pri rôznych operáciách. Protiprachová maska alebo respirátor musia byť schopné odfiltrovať častice generované vašou prevádzkou. Dlhodobé vystavenie hluku vysokej intenzity môže spôsobiť poškodenie sluchu.**
- i) **Zabezpečte, aby sa v pracovnej oblasti nenachádzali okoloidúci. Každá osoba vstupujúca do pracovnej oblasti musí mať nasadené prostriedky osobnej ochrany.** *Fragmenty z obrobku alebo odlomené príslušenstvo môže odletieť a spôsobiť zranenie aj mimo bezprostrednej oblasti prevádzky.*

- j) **Pri úkonoch, kedy rezné príslušenstvo môže prísť do kontaktu so skrytým kabelážou alebo vlastným napájacím káblom, elektrické náradie držte len za izolované úchopné povrchy.** *Rezné príslušenstvo v kontakte s káblom pod napätím môže spôsobiť, že odhalené kovové časti elektrického náradia budú taktiež pod napätím, v dôsledku čoho by mohlo dôjsť k zásahu obsluhy elektrickým prúdom.*
- k) **Kábel umiestnite do bezpečnej vzdialenosti od rotujúceho príslušenstva. Ak stratíte kontrolu, môže dôjsť k prerezaniu alebo zachyteniu kábla, pričom môže dôjsť k vtiahnutiu vašej ruky do rotujúceho príslušenstva.**
- l) **Elektrické náradie nikdy nepoložte, kým sa príslušenstvo úplne nezastaví.** *Rotujúce príslušenstvo by sa mohlo zachytiť o podklad a náradie sa vám môže vymknúť spod kontroly.*
- m) **Elektrické náradie neprevádzkujte, keď ho prenášate popri tele.** *Neúmyselný kontakt s rotujúcim príslušenstvom môže zachytiť váš odev a vtiahnuť príslušenstvo do vášho tela.*
- n) **Vzduchové prieduchy elektrického náradia pravidelne čistite.** *Ventilátor motora bude nasávať prach do vnútra zapuzdrenia, pričom nadmerné usadenie prachu kovového pôvodu môže vyvolať riziko zásahu elektrickým prúdom.*
- o) **Elektrické náradie neprevádzkujte v blízkosti horľavín.** *Iskry by mohli spôsobiť vznietenie týchto látok.*
- p) **Nepoužívajte príslušenstvo, ktoré si vyžaduje tekuté chladivá.** *Použitie vody alebo iných tekutých chladív môže spôsobiť zásah elektrickým prúdom.*

Spätňý ráz a sprievodné varovania

Spätňý ráz je prudká reakcia na zaseknutie alebo zablokovanie rotačného disku, podkladovej podložky, kefy alebo iného príslušenstva. Zaseknutie alebo zachytenie spôsobí prudké zastavenie rotačného príslušenstva, ktoré následne vyvolá prudké vymrštenie elektrického náradia v smere opačnom k smeru otáčania príslušenstva v bode ukotvenia.

Ak sa napríklad abrazívny disk zachytí alebo zasekne v obrobku, okraj disku, ktorý vstupuje do materiálu môže zahrabnúť do povrchu materiálu v dôsledku čoho disk vylezie von alebo prudko vyskočí von. Disk môže vyskočiť buď v smere k

obsluhu, alebo od obsluhy v závislosti od smeru pohybu disku v okamihu zachytenia. Abrázívne disky sa za týchto okolností tiež môžu zlomiť. Spätný ráz je výsledkom nenáležitého použitia elektrického náradia alebo nesprávneho postupu či podmienky obsluhy a je možné mu predísť dodržiavaním nižšie uvedených preventívnych opatrení.

- a) **Elektrické náradie držte pevne a telo a rameno držte v takej polohe, aby ste dokázali odolať spätnému rázu. Vždy používajte pomocnú rukoväť (ak je vo výbave) v záujme maximálnej kontroly nad spätným rázom alebo reakciou na točivý moment vo fáze rozbehu. Ak sa uplatnia náležité preventívne opatrenia, obsluha dokáže kontrolovať reakcie na točivý moment a spätý ráz.**
- b) **Nikdy neumiestňujte ruku do blízkosti rotujúceho príslušenstva. Môže dôjsť k spätnému rázu príslušenstva cez vašu ruku.**
- c) **Žiadnu časť tela neumiestňujte do oblasti, kam sa predpokladá pohyb elektrického náradia v prípade spätného rázu. Spätý ráz vymrští náradie v smere opačnom k smeru pohybu disku v bode zachytenia.**
- d) **Pri práci v rohoch, na ostrých hranách atď. buďte veľmi opatrný. Predchádzajte nadskakovaniu a zachytávaniu príslušenstva. Rohy, ostré okraje alebo nadskakovanie majú tendenciu zachytiť rotujúce príslušenstvo a spôsobí stratu kontroly alebo spätý ráz.**
- e) **Nenasadzujte čepel reťazovej pily na rezanie do dreva ani ozubenú čepel píly. Tieto čepele spôsobujú často spätý ráz a stratu kontroly.**

Bezpečnostné varovania špecifické pre brúsenie a abrazívne rezanie:

- a) **Používajte len typy diskov, ktoré sú odporúčané pre vaše elektrické náradie a špecifický kryt určený pre príslušný disk. Disky, pre ktoré elektrické náradie nebolo určené, nie je možné riadne chrániť krytom, a preto nie sú bezpečné.**
- b) **Brúsny povrch centrálné stlačených diskov sa musí osádzať po rovinnú okraja krytu. Nesprávne nasadený disk, ktorý vystupuje cez rovinnú okraja krytu nie je možné riadne chrániť.**
- c) **Chránič musí byť bezpečne upevnený k elektrickému náradu a umiestnený v záujme**

dosiahnutia maximálnej bezpečnosti, aby v smere k operátorovi bola odhalená čo najmenšia časť disku. Kryt pomáha obsluhu chrániť pred odletujúcimi úlomkami disku, neúmyselným kontaktom s diskom a iskrami, ktoré by mohli vyvolať vznietenie odevu.

- d) **Disky sa musia používať len na odporúčané účely. Príklad: Nebrúste pomocou bočnej strany disku na rezanie. Abrázívne rezné disky sú určené na periférne brúsenie; v prípade, ak sa na ne vyvinie tlak z bočnej strany, môžu sa roztrieštiť.**
- e) **Vždy používajte nepoškodené diskové príruby správneho rozmeru a tvaru vzhľadom na zvolený disk. Správne diskové príruby správne upevnia disk, čím znižujú pravdepodobnosť zlomenia disku. Príruby pre rezné disky sa môžu odlišovať od prírub kolesa na brúsenie.**
- f) **Nepoužívajte opotrebované disky z väčších elektrických náradí. Disk určený pre väčšie elektrické náradie nie je vhodný pre vyššiu rýchlosť menšieho náradia a môže sa rozpadnúť.**

Doplňkové bezpečnostné varovania špecifické pre abrazívne rezanie:



Operácie rezania sú žiaduce len so špeciálnym otvoreným ochranným krytom (nie je súčasťou dodávky).

- a) **Predchádzajte zasekávaniu rezného disku ani naň nepôsobte nadmerne veľkou silou. Nepokúšajte sa rezať do nadmernej hĺbky. Nadmerné zaťaženie kolesa zvyšuje zaťaženie a náchylnosť na pretočenie alebo uviaznutie disku v reznej štrbine, v dôsledku čoho môže dôjsť k spätnému rázu alebo zlomeniu disku.**
- b) **Žiadne časti tela neumiestňujte do roviny ani za rovinnú rotujúceho disku. Keď sa disk v okamihu prevádzky pohybuje smerom od vášho tela, potenciálny spätý ráz môže vymrštíť rotačný disk a elektrické náradie priamo na vás.**
- c) **Keď sa disk zachytáva alebo z akejkoľvek príčiny dochádza k prerušeniu rezu, elektrické náradie vypnite a držte ho nehybne, kým sa disk celkom nezastaví. Nikdy sa nepokúšajte odstraňovať rezný disk, kým je ešte v pohybe, pretože by**

mohlo dôjsť k spätnému rázu. Vykonaajte kontrolu a vykonajte nápravné činnosti v snahe o elimináciu príčiny zachytávania disku.

- d) Činnosť rezania nespúšťajte s diskom umiestneným na obrobku. **Disk nechajte dosiahnuť plné otáčky a až následne náradie opatrne zavedte do reznej štrbiny.** Ak sa elektrické náradie rešartuje na obrobku, disk sa môže zachytiť, vystúpiť von alebo môže dôjsť k spätnému rázu.
- e) **Panely alebo nadrozmerne obrobky podoprite, aby sa minimalizovalo riziko uviaznutia a spätného rázu.** Veľké obrobky majú tendenciu klesať účinkom vlastnej hmotnosti. Podpery je potrebné umiestniť pod obrobok v blízkosti línie rezu a v blízkosti okraja obrobku po oboch stranách disku.
- f) **Pri realizácii „vačkového rezu“ do už stojacich stien alebo iných „slepých“ oblastí buďte mimoriadne opatrný.** Vystupujúci disk môže prerezať plynové a vodovodné potrubia, elektrické vedenia a objekty, ktoré by mohli spôsobiť spätný ráz.

Elektrická bezpečnosť

Pri používaní elektrických zariadení vždy dodržiavajte bezpečnostné nariadenia platné vo vašej krajine, aby sa minimalizovalo riziko požiaru, zásahu elektrickým prúdom a ujmy na zdraví. Prečítajte si nasledujúce bezpečnostné pokyny a tiež priložené bezpečnostné pokyny.



Vždy kontrolujte, či napätie zdroja elektrickej energie zodpovedá napätiu na údajovom štítku zariadenia.



Zariadenie triedy II - dvojité izolácia - nevyžaduje si uzemnenú zástrčku.

Ak sa práci s výkonovým nástrojom vo vlhkých priestoroch nemôžete vyhnúť, používajte napájací zdroj so zariadením na ochranu pred zvyškovým prúdom (RCD). Používanie RCD znižuje riziko zásahu elektrickým prúdom.

2. INFORMÁCIE O ZARIADENÍ

Cieľové použitie

Vaša uhlová brúska je určená na zbrusovanie murárskych a oceľových materiálov bez použitia vody. V prípade rezania sa musí používať špeciálny ochranný kryt (nie je súčasťou dodávky).

Technické špecifikácie

Modelové č.	AGM1110P	AGM1112P	AGM1114P
Elektrické napätie	220-240 V~		
Elektrická frekvencia	50/60 Hz		
Napájací vstup	710 W		
Nominálne otáčky	N ₀ 11.000/min		

Kotúčový disk na brúsenie

	100 mm	115 mm	125 mm
Priemer	100 mm	115 mm	125 mm
Vrtanie	16 mm	22 mm	22 mm
Závit vretena	M10	M14	M14
Hmotnosť	1.98 kg	2 kg	2.05 kg
Zvukový tlak (L _{PA})	86.4 + 3 dB(A)		
Akustický výkon (L _{WA})	97.4 + 3 dB(A)		
Vibrácie „povrchové brúsenie“ a _{h,AG}	6.334 + 1.5 m/s ²		

Modelové č.

	AGM1111P	AGM1113P	AGM1115P
Elektrické napätie	220-240 V~		
Elektrická frekvencia	50/60 Hz		
Napájací vstup	850 W		
Nominálne otáčky	N ₀ 11.000/min		

Kotúčový disk na brúsenie

	100 mm	115 mm	125 mm
Priemer	100 mm	115 mm	125 mm
Vrtanie	16 mm	22 mm	22 mm
Závit vretena	M10	M14	M14
Hmotnosť	1.98 kg	2 kg	2.05 kg
Zvukový tlak (L _{PA})	86.4 + 3 dB(A)		
Akustický výkon (L _{WA})	97.4 + 3 dB(A)		
Vibrácie „povrchové brúsenie“ a _{h,AG}	6.334 + 1.5 m/s ²		

Hladina vibrácií

Hladina vibračných emisií uvádzaná v tejto používateľskej príručke bola nameraná podľa štandardizovaného testu definovaného v štandarde EN 60745; môže sa použiť na porovnanie jedného náradia s druhým a ako predbežné hodnotenie vibrácií pri používaní náradia na uvádzané účely

- používanie náradia na rôzne účely alebo s rôznym či nevhodne udržiavaným príslušenstvom môže výrazne zvýšiť hladinu expozície
- obdobia, keď je náradie vypnuté alebo sa prevádzkuje na voľnobeh, môžu výrazne znížiť hladinu expozície

Pred účinkami vibrácií sa chráňte údržbou náradia a príslušenstva, udržiavaním rúk v teple a vhodnou organizáciou pracovných postupov.

Popis

Čísla uvedené v texte sa odvolávajú na diagramy na stranách 2-3

Obr. A

1. Tlačidlo blokovania vretena
2. Spínač Zap./Vyp.
3. Ochranný kryt

Obr. B

8. Vreteno
9. Montážna príruha
10. Diskový kotúč (nie je súčasťou dodávky)
11. Svorková matica
12. Postranná rukoväť
13. Postranná rukoväť

Montáž



Pred montážou vždy vypnite zariadenie a zástrčku vytiahnite z elektrickej zásuvky.

Nasadenie ochranného krytu (obr. A a B)

- Zariadenie postavte na stôl s vretenom (8) smerom nahor.
- Ochranný kryt (3) umiestnite na hlavicu (obr. B), pričom sa uistite, aby okraje ochranného krytu zapadli do zárezov na hlavici zariadenia.
- Otáčajte ochranný kryt proti smeru hodinových ručičiek.



Zariadenie sa nikdy nepokúšajte používať bez krytu.

Montáž a demontáž kotúča (obr. B)

- V prípade tohto zariadenia vždy používajte vhodný disk kotúča s priemerom $\varnothing 100\text{mm}$ / $\varnothing 115\text{mm}$ / $\varnothing 125\text{mm}$ a vŕtaním od 16 / 22 / 22 mm, pričom hrúbka disku kotúča má byť 6 mm v prípade diskov kotúča na brúsenie a 3 mm v prípade diskov kotúča na rezanie; osádzaný disk kotúča sa nesmie dotýkať bezpečnostného krytu.

Montáž

- Zariadenie postavte na stôl s ochranným krytom (3) smerom nahor.
- Prírubu (9) nasadte na vreteno (8).
- Disk kotúča (10) umiestnite na vreteno (8).
- Tlačidlo blokovania vretena (1) držte stlačené a pevne zatiahnite svorkovú maticu (11) na vreteno (8) pomocou kľúča (12).

Demontáž

- Zariadenie postavte na stôl s ochranným krytom (3) smerom nahor.
- Tlačidlo blokovania vretena (1) držte stlačené a uvoľnite svorkovú maticu (11) pomocou kľúča (12).
- Disk kotúča (10) odstráňte z vretena (8).
- Tlačidlo blokovania vretena (1) držte stlačené a pevne zatiahnite svorkovú maticu (11) pomocou kľúča (12).

3. PREVÁDZKA



Uistite sa, že obrobok je riadne podoprený alebo upevnený a napájací kábel vedte bezpečne mimo pracovnú oblasť.

Zapnutie a vypnutie (obr. A)

- Ak chcete zariadenie zapnúť, smerom k sebe a potom stlačte lopatkový spínač Zap./Vyp. (2).
- Ak chcete zariadenie vypnúť, uvoľnite lopatkový spínač Zap./Vyp. (2).

Pri zapínaní a vypínaní zariadenie držte mimo obrobku, pretože diskový kotúč by mohol poškodiť obrobok.

- Obrobok pevne uchyťte do zveráka alebo iným spôsobom ho znehybnite.

- Kotúče pravidelne kontrolujte. Opotrebované diskové kotúče majú negatívny efekt na účinnosť zariadenia. V správnom čase starý disk nahraďte novým.
- Pred odpojením zástrčky od elektrickej zásuvky vždy v prvom rade vypnite zariadenie po použití.

Zahladzovanie ostrín (obr. C)

Pri zahladzovaní ostrín sa najlepšie výsledky dosiahnu pri sklone 30° až 40°. Zariadenie pohybujte dozadu a dopredu, pričom vyvíjajte mierny tlak. Zabráňte tým odfarbeniu alebo nadmernému zahriatiu obrobku a predídete formovaniu drážok.



Na zahladzovanie ostrín nikdy nepoužívajte disky na abrazívne rezanie!

Rezanie (obr. D)

V prípade rezania sa musí používať špeciálny ochranný kryt (nie je súčasťou dodávky). Zachovávajúce pevný kontakt s obrobkom, aby ste zabránili vibráciám, a pri rezaní nenakláňajte ani nevyvíjajte tlak. Pri práci zachovávajúce stredne vysoký tlak vhodný vzhľadom na materiál, na ktorom pracujete. Nespomaľujte kotúčové disky vyvíjaním postranného protitlaku. Dôležitý je smer, v ktorom chcete rezať. Zariadenie musí vždy pracovať proti smeru rezu; takže zariadením nikdy nepohybujte opačným smerom! Hrozí riziko zachytenia v reznej štrbine, vzniku spätného rázu a straty kontroly.

Tipy na optimálnu obsluhu

- Obrobok uchyťte do zveráka. Použite zverák pre drobné obrobky.
- Zariadenie držte oboma rukami.
- Zapnite zariadenie.
- Počkajte, kým zariadenie dosiahne plné otáčky.
- Kotúčový disk položte na obrobok.
- Zariadením pomaly pohybujte pozdĺž obrobku, pričom kotúčový disk pevne tlačte voči obrobku.
- Na zariadenie nevyvíjajte nadmerný tlak. Nechajte zariadenie, aby zariadenie urobilo prácu za vás.
- Vypnite zariadenie a počkajte, kým sa úplne nezastaví. Až potom ho položte.

4. ÚDRŽBA

Výmena elektrickej zástrčky (len VB)

Ak sa lisovaná 3-kolíková zástrčka upevnená k jednotke poškodí a vyžaduje sa jej výmena, je dôležité, aby bola riadne zlikvidovaná a nahradená schválenou zástrčkou 1363/13A vybavenou poistkou a bol dodržaný nasledujúci postup zapojenia. Vodiče na napájacom kábli sú farebne odlišené podľa nasledujúceho kódu:

- modrý nula
- hnedý žila

Keďže farby vodičov na napájacom kábli jednotky nemusia zodpovedať farebným značkám identifikujúcim terminály na zástrčke, postupujte nasledovne:

- Modrý vodič sa musí pripojiť k terminálu, ktorý je označený písmenom N alebo je čiernej farby.
- Hnedý vodič sa musí pripojiť k terminálu, ktorý je označený písmenom L alebo je červenej farby.



Pred čistením a údržbou vždy vypnite zariadenie a zástrčku vytiahnite z elektrickej zásuvky.

Puzdro zariadenia vyčistíte jemnou tkaninou, podľa možnosti po každom použití. Uistite sa, že vetracie otvory neobsahujú prach a nečistoty. Odolné nečistoty odstráňte jemnou tkaninou navlhčenou v mydlovej vode. Nepoužívajte rozpúšťadlá ako benzín, alkohol, amoniak a pod. Takéto chemické látky poškodia syntetické komponenty.

Výmena napájacích káblov

Ak dôjde k poškodeniu napájacieho kábla, vymeniť ho môže len výrobca, jeho servisný agent alebo podobne kvalifikovaná osoba, aby nedošlo k ublíženiu na zdraví.

Kontrola a výmena karbónových kief

Ak sa karbónové kiefy opotrebojú, je potrebné ich vymeniť na oddelení služieb zákazníkom výrobcu, prípadne tento úkon musí vykonať iná podobne kvalifikovaná osoba.



Používajte len pôvodný originálny typ karbónových kief.

- Odstráňte kryty karbónových kief (4) povolením skrutky a otvorte kryt jeho zdvihnutím zo zariadenia.
- Uvoľnite pružinu (14) z karbónovej kefy a uchyťte pružinu (14) skrutkovačom. Odstráňte karbónovú kefu (15) z držiaka (medený drôt (16) ponechajte prípevnený k zariadeniu).
- Za súčasného držania pružiny (14) umiestnite novú karbónovú kefu do vnútra držiaka.
- Uvoľnite pružinu (14) späť na miesto, pričom sa uistite, že drží kefu (podľa znázornenia na obr. G).
- Povoľte skrutku (13), ktorá uvoľní medný drôt (16) starej kefy. Skrutku (13) znova zatahnite tak, aby došlo k zachyteniu medeného drôtu (16) novej karbónovej kefy.
- Kryt (4) dajte späť na miesto, pričom sa uistite, že nedošlo k zachyteniu kabeláže a zatahните skrutku.
- Uistite sa, že vždy vymieňate obe karbónové kefy súčasne.
- Po namontovaní nových karbónových kief nechajte zariadenie pracovať 15 minút na voľnobeh.

ZIVOTNÉ PROSTREDIE



Chybné alebo vyradené elektrické či elektronické zariadenia musia byť zberané v príslušných recyklačných zberniach.

Len pre krajiny ES

Elektrické náradie nelikvidujte ako súčasť komunálneho odpadu. Podľa Európskej smernice 2012/19/EU o vyradených elektrických a elektronických zariadeniach a jej implementácie do národného práva sa elektrické náradie, ktoré je viac nepoužiteľné, musí zberať ako separovaný odpad a likvidovať ekologickým spôsobom.

ZÁRUKA

Záručné podmienky nájdete v samostatne priloženom záručnom liste.

Produkt a používateľská príručka podliehajú zmenám. Špecifikácie sa môžu zmeniť bez predchádzajúceho upozornenia.

SZLIIFIERKA KĄTOWA

AGM1110P 710W 100mm
AGM1111P 850W 100mm
AGM1112P 710W 115mm
AGM1113P 850W 115mm
AGM1114P 710W 125mm
AGM1115P 850W 125mm

Dziękujemy za zakup tego produktu Ferm. Nabyliście Państwo doskonały produkt, dostarczany przez jednego z wiodących dostawców w Europie. Wszystkie produkty dostarczane Państwu przez Ferm są wytwarzane zgodnie z najwyższymi standardami wydajności i bezpieczeństwa. W ramach naszej filozofii zapewniamy również doskonałą obsługę klienta, wspartą wszechstronną gwarancją. Mamy nadzieję, że będziecie Państwo z przyjemnością korzystać z tego produktu przez wiele lat.

1. INSTRUKCJE DOTYCZĄCE BEZPIECZEŃSTWA



OSTRZEŻENIE

Przeczytać dołączone ostrzeżenia dotyczące bezpieczeństwa,

dotatkowe ostrzeżenia dotyczące bezpieczeństwa oraz instrukcje.

Nieprzestrzeganie ostrzeżeń dotyczących bezpieczeństwa oraz instrukcji może prowadzić do porażenia prądem, pożaru i/lub poważnych obrażeń ciała. **Zachować ostrzeżenia dotyczące bezpieczeństwa oraz instrukcje na przyszłość.**

Następujące symbole są umieszczone w instrukcji obsługi lub na produkcie:



Przeczytać instrukcję obsługi.



Oznacza ryzyko obrażeń ciała, śmierci lub uszkodzenia narzędzia w razie nieprzestrzegania poleceń z instrukcji.



Ryzyko porażenia prądem



Niezwłocznie odłączyć wtyczkę zasilania sieciowego od gniazdka sieciowego, jeśli przewód zasilania sieciowego zostanie uszkodzony, a także na czas czyszczenia i konserwacji.



Ryzyko wyrzucenia przedmiotów w powietrze. Nie pozwalać osobom postronnym zbliżać się do obszaru pracy.



Zawsze nosić okulary ochronne!
Nosić ochronniki słuchu.



Nosić rękawice ochronne.



Nie wciskać przycisku blokady wrzeczona, gdy silnika pracuje.



Ryzyko pożaru.



Nie wyrzucać produktu do nieodpowiednich pojemników.



Produkt spełnia wymogi odpowiednich norm bezpieczeństwa podanych w dyrektywach UE.

Ostrzeżenia dotyczące bezpieczeństwa wspólne dla szlifowania i przecinania szlifierką:

- To elektronarzędzie jest przeznaczone do użytku w roli szlifierki. Przeczytać wszystkie ostrzeżenia dotyczące bezpieczeństwa, ilustracje oraz dane techniczne dołączone do tego elektronarzędzia. Nieprzestrzeganie wszystkich instrukcji podanych poniżej może prowadzić do porażenia prądem, pożaru i/lub poważnych obrażeń ciała.
- Nie zalecamy wykonywania tym elektronarzędziem czynności, takich jak szlifowanie drewna, szcztotkowanie szcztotką metalową i polerowanie. Używanie elektronarzędzia do prac niezgodnych z jego przeznaczeniem może być ryzykowne i powodować obrażenia ciała.
- Nie używać akcesoriów, które nie są specjalnie przeznaczone do tego narzędzia i zalecane przez jego producenta. Fakt, że akcesorium można podłączyć do elektronarzędzia nie oznacza, że jego użytkowanie będzie bezpieczne.
- Znamionowe obroty akcesorium muszą być co najmniej równe maksymalnym obrotom podanym na elektronarzędziu. Akcesoria pracujące z obrotami przekraczającymi obroty znamionowe mogą pęknąć i rozlecieć się na kawałki.
- Zewnętrzna średnica i grubość akcesorium muszą mieścić się w zakresie dopuszczalnym dla elektronarzędzia. Akcesoria o nieodpowiednich rozmiarach nie mogą być poprawnie osłonięte ani sterowane.
- Akcesoria z mocowaniem gwintowanym muszą pasować do gwintu wrzeczona szlifierki. W przypadku akcesoriów mocowanych za pomocą kołnierza, otwór centralny akcesorium musi pasować do średnicy mocującej kołnierza. Akcesoria nie pasujące do osprzętu mocującego elektronarzędzia będą pracować bez wyważenia, nadmiernie drgać i mogą powodować utratę panowania nad narzędziem.
- Nie używać uszkodzonych akcesoriów. Przed każdym użyciem sprawdzić akcesoria, takie jak tarcze ścierne, pod kątem pęknięć i odłamań, takie jak podkładki pod kątem pęknięć, rozzerwania lub nadmiernego zużycia, a szcztotki druciane pod kątem luźnych lub pękniętych drutów. Jeśli elektronarzędzie lub akcesorium zostanie upuszczone, sprawdzić pod kątem uszkodzeń lub zamocować nieuszkodzone akcesorium. Po sprawdzeniu i zamocowaniu akcesorium ustawić własne ciało oraz osoby postronne z dala od płaszczyzny obrotów akcesorium obrotowego i uruchomić elektronarzędzie z maksymalnymi obrotami bez obciążenia na minutę. Uszkodzone akcesoria zwykle rozpadają się w czasie takiego testu.
- Nosić środki ochrony osobistej. W zależności od zastosowania stosować tarczę chroniącą twarz lub ochronne okulary. W razie potrzeby nosić maskę przeciwpyłową, ochronniki słuchu, rękawice i roboczy fartuch, zatrzymujący małe elementy cierne lub drobne kawałki obrabianego przedmiotu. Środki ochrony oczu muszą być w stanie zatrzymać wyrzucone w powietrze odłamki powstające podczas różnych prac. Maskę przeciwpyłową lub oddechowa musi być w stanie filtrować cząstki powstające podczas wykonywanej pracy. Przedłużona ekspozycja na hałas o wysokim natężeniu może powodować utratę słuchu.

- i) **Osoby postronne muszą znajdować się w bezpiecznej odległości od obszaru pracy. Każda osoba wchodząca w obszar pracy musi mieć na sobie środki ochrony osobistej.** *Kawałki obrabianego przedmiotu lub pękniętego akcesorium mogą zostać wyrzucone w powietrze i spowodować obrażenia ciała poza bezpośrednim obszarem pracy.*
- j) **Trzymać narzędzie tylko za izolowane powierzchnie do chwytania podczas wykonywania prac, podczas których osprzęt tnący może zetknąć się z ukrytym okablowaniem lub przewodem narzędzia.** *Zetknięcie się osprzętu tnącego z przewodem pod napięciem może sprawić, że odsłonięte metalowe części narzędzia również będą pod napięciem i spowodować porażenie operatora prądem.*
- k) **Umieszczać przewód zasilania z dala od obracających się akcesoriów.** *W razie utraty panowania nad narzędziem przewód może zostać przecięty lub pochwycony, a dłoń lub ręka użytkownika może zostać wciągnięta w obracające się akcesorium.*
- l) **Nigdy nie odkładać elektronarzędzia, dopóki akcesorium całkowicie się nie zatrzyma.** *Obracające się akcesorium może zaczepić o powierzchnię i wyrwać elektronarzędzie z rąk użytkownika.*
- m) **Nie włączać elektronarzędzia podczas przenoszenia go u boku.** *Przypadkowy kontakt z obracającym się akcesorium może spowodować zaczepienie ubrania, wciągając akcesorium w ciało użytkownika.*
- n) **Regularnie czyścić otwory wentylacyjne elektronarzędzia.** *Wentylator silnika wciąga pył do wnętrza obudowy, a nadmierne nagromadzenie się opiłków metalu może powodować zagrożenia elektryczne.*
- o) **Nie używać elektronarzędzia w pobliżu materiałów łatwopalnych.** *Iskry mogą spowodować ich zapłon.*
- p) **Nie używać akcesoriów wymagających płynnego chłodziwa.** *Użycie wody lub innego płynnego chłodziwa może spowodować porażenie prądem.*
- Ostrzeżenia dotyczące odrzutu itp.**
Odrzut to nagła reakcja na zablokowanie lub zaczepienie się obracającej się tarczy, podkładki, szczotki lub innego akcesorium. Ściśnięcie lub zaczepienie powoduje nagłe utknięcie obracającego się akcesorium, co z kolei prowadzi do utraty panowania nad elektronarzędziem i odrzucenia go w kierunku przeciwnym do kierunku obrotów akcesorium w punkcie utknięcia. Na przykład, jeśli tarcza ścierna zostanie zaczepiona lub ściśnięta przez obrabiany przedmiot, krawędź tarczy wchodząca w miejsce ściśnięcia może zagłębić się w powierzchnię materiału, powodując wyskoczenie lub wyrzucenie tarczy. Tarcza może wyskoczyć w kierunku operatora lub od operatora, w zależności od kierunku ruchu tarczy w momencie ściśnięcia. Tarcze ściernie mogą także pękać w takich okolicznościach. Odrzut jest rezultatem błędnego użytkowania elektronarzędzia i/lub stosowania błędnych metod bądź warunków pracy i można go unikać, stosując środki ostrożności opisane poniżej.
- a) **Utrzymywać silny chwyt elektronarzędzia i ustawiać ciało oraz ramię tak, aby móc stawić opór sile odrzutu. Zawsze stosować uchwyt pomocniczy, jeśli jest dołączony, aby uzyskać maksymalne panowanie nad odrzutem oraz reakcją momentu obrotowego podczas rozruchu.** *Operator może kontrolować reakcję momentu obrotowego oraz siły odrzutu, przestrzegając odpowiednich środków ostrożności.*
- b) **Nigdy nie umieszczać ręki w pobliżu akcesorium obrotowego.** *Akcesorium może zostać odrzucone w rękę.*
- c) **Nie ustawiać ciała w obszarze, gdzie przemieści się elektronarzędzie w razie wystąpienia odrzutu.** *Odrzut pchnie narzędzie w kierunku przeciwnym do ruchu tarczy w punkcie utknięcia.*
- d) **Zachować szczególną ostrożność podczas pracy z rogami, ostrymi krawędziami itp.** **Unikać odbijania i zaczepiania akcesorium.** *Rogi, ostre krawędzie lub odbicia często powodują utykanie obrotowego akcesorium i utratę panowania nad narzędziem albo odrzut.*
- e) **Nie podłączać brzeszczota do cięcia drewna od piły łańcuchowej ani zębatego brzeszczota piły.** *Takie brzeszczoty powodują częsty odrzut i utratę panowania.*

Szczególne ostrzeżenia dotyczące bezpieczeństwa szlifowania i przecinania szlifierką:

- a) **Używać tylko rodzajów tarcz zalecanych dla elektronarzędzia i specjalnych osłon przeznaczonych dla wybranej tarczy.** Tarcze nieprzeznaczone dla elektronarzędzia nie mogą być odpowiednio zabezpieczone osłoną i są niebezpieczne.
 - b) **Powierzchnia ścierna tarcz o wklęsłym środku musi być zamocowana poniżej płaszczyzny krawędzi osłony.** Błędnie zamocowana tarcza wystająca poza płaszczyznę krawędzi osłony nie zapewnia odpowiedniej ochrony.
 - c) **Osłona musi być dobrze zamocowana do elektronarzędzia i ustawiona w sposób zapewniający maksymalne bezpieczeństwo, tak aby jak najmniejsza część tarczy była odsłonięta dla operatora.** Osłona pomaga chronić operatora przed kawałkami pękniętej tarczy, przypadkowym dotknięciem tarczy oraz iskrami, które mogłyby zapalić ubranie.
 - d) **Tarcze stosować jedynie zgodnie z przeznaczeniem.** Na przykład: nie szlifować bokiem tarczy do odcinania. Tarcze do odcinania ściernego są przeznaczone do szlifowania obwodowego, a siła działająca na te tarcze z boku może powodować ich rozpad.
 - e) **Zawsze stosować nieuszkodzone kołnierze tarcz o odpowiednim rozmiarze i kształcie dla wybranej tarczy.** Odpowiednie kołnierze tarcz podpierają tarczę, zmniejszając ryzyko ich pęknięcia. Kołnierze do tarcz do odcinania mogą być różne od kołnierzy dla tarcz do szlifowania.
 - f) **Nie używać zużytych tarcz z większych elektronarzędzi.** Tarcze przeznaczone dla większych elektronarzędzi nie są odpowiednie dla wyższych obrotów mniejszego narzędzia i mogą się rozpaść.
- nadmiernej głębokości.** Przeciążenie tarczy zwiększa obciążenie i ryzyko skrzywienia lub utknięcia tarczy w miejscu cięcia oraz ryzyko odrzutu lub pęknięcia tarczy.
- b) **Nie ustawiać ciała w jednej linii i za obrotową tarczą.** Kiedy tarcza w miejscu pracy porusza się w kierunku od ciała operatora, możliwy odrzut może pchnąć obracającą się tarczę i elektronarzędzie bezpośrednio w operatora.
 - c) **Kiedy tarcza utyka lub w razie przerwania cięcia z jakiegoś powodu, wyłączać elektronarzędzie i trzymać je nieruchomo, aż do całkowitego zatrzymania tarczy.** Nigdy nie próbować wyjmować tarczy do odcinania z miejsca cięcia, gdy tarcza się porusza, bo w przeciwnym razie może dojść do odrzutu. Sprawdzić i usunąć przyczynę utyknięcia tarczy.
 - d) **Nie wznawiać cięcia, gdy tarcza jest w obrabianym przedmiocie.** Pozwolić tarczy na osiągnięcie pełnych obrotów i ostrożnie ponownie wprowadzić ją w miejsce cięcia. Tarcza może utykać, unosić się z miejsca cięcia albo powodować odrzut, jeśli elektronarzędzie zostanie uruchomione ponownie z tarczą w miejscu cięcia.
 - e) **Podpierać panele lub zbyt duże obrabiane przedmioty, aby ograniczyć ryzyko utyknięcia tarczy i odrzutu.** Duże obrabiane przedmioty często opadają pod własnym ciężarem. Umieścić podpory pod obrabianym przedmiotem w pobliżu linii cięcia i w pobliżu krawędzi obrabianego przedmiotu po obu stronach tarczy.
 - f) **Zachować szczególną ostrożność podczas wykonywania cięcia "kieszeniowego" w istniejących ścianach lub innych zasłoniętych miejscach.** Wystająca tarcza może przeciąć rury z gazem lub wodą, przewody elektryczne lub obiekty mogące powodować odrzut.

Dodatkowe szczególne ostrzeżenia dotyczące bezpieczeństwa przecinania szlifierką:



Przecinanie można wykonywać jedynie ze specjalną osłoną (nie dołączoną).

- a) **Nie blokować tarczy odcinającej ani nie stosować nadmiernego nacisku.** Nie podejmować prób wykonywania cięcia o



Zawsze sprawdzać, czy napięcie zasilania jest zgodne z napięciem podanym na tabliczce znamionowej.



Maszyna klasy II - Podwójna izolacja - Nie trzeba stosować wtyczek z uziemieniem.

Jeśli obsługa elektronarzędzia w wilgotnym miejscu jest nieunikniona, użyć zasilania wyposażonego w wyłącznik różnicowoprądowy. Użycie wyłącznika różnicowoprądowego zmniejsza ryzyko porażenia prądem.

2. INFORMACJE O MASZYNIE

Przeznaczenie

Szlifierka kątowna jest przeznaczona do szlifowania materiałów murowanych i stalowych bez użycia wody. Do cięcia należy zastosować specjalną osłonę ochronną (nie dołączoną).

Dane techniczne

Nr modelu	AGM1110P	AGM1112P	AGM1114P
Napięcie sieciowe	220-240 V~		
Częstotliwość sieciowa	50/60 Hz		
Pobór mocy	710 W		
Obroty znamionowe	N ₀ 11.000/min		
Tarcza do szlifowania			
Średnica	100 mm	115 mm	125 mm
Otwór środkowy	16 mm	22 mm	22 mm
Gwint wrzeciona	M10	M14	M14
Ciężar	1.98 kg	2 kg	2.05 kg
Ciśnienie akustyczne (L _{PA})	86.4 + 3 dB(A)		
Moc akustyczna (L _{WA})	97.4 + 3 dB(A)		
Drgania "Szlifowanie powierzchni" a _{h,AG}	6.334 + 1.5 m/s ²		

Nr modelu	AGM1111P	AGM1113P	AGM1115P
Napięcie sieciowe	220-240 V~		
Częstotliwość sieciowa	50/60 Hz		
Pobór mocy	850 W		
Obroty znamionowe	N ₀ 11.000/min		
Tarcza do szlifowania			
Średnica	100 mm	115 mm	125 mm
Otwór środkowy	16 mm	22 mm	22 mm

Gwint wrzeciona	M10	M14	M14
Ciężar	1.98 kg	2 kg	2.05 kg
Ciśnienie akustyczne (L _{PA})	86.4 + 3 dB(A)		
Moc akustyczna (L _{WA})	97.4 + 3 dB(A)		
Drgania "Szlifowanie powierzchni" a _{h,AG}	6.334 + 1.5 m/s ²		

Poziom drgań

Poziom emisji drgań podany w tej instrukcji obsługi został zmierzony zgodnie ze standaryzowanym testem podanym w normie EN 60745; może on służyć do porównywania narzędzi ze sobą oraz do wstępnego oszacowania ekspozycji na drgania podczas użytkowania narzędzia do podanych zastosowań

- używanie narzędzia do innych zastosowań lub z innymi lub źle konserwowanymi akcesoriami może znacząco zwiększać poziom ekspozycji
- okresy, gdy narzędzie jest wyłączone lub okresy, gdy jest włączone, ale nie pracuje, mogą znacząco zmniejszać poziom ekspozycji

Chronić się przed wpływem drgań, konserwując odpowiednio narzędzie i akcesoria, utrzymując ciepłotę dłoni oraz odpowiednio organizując pracę.

Opis

Liczby w tekście odnoszą się do rysunków na stronach 2-3.

Rys. A

1. Przycisk blokady wrzeciona
2. Włącznik
3. Osłona ochronna

Rys. B

8. Wrzeciono
9. Kołnierz mocujący
10. Tarcza (nie dołączona)
11. Nakrętka mocująca
12. Uchwyt boczny
13. Uchwyt boczny

Montaż



Przed rozpoczęciem montażu zawsze wyłączać maszynę i wyjmować wtyczkę zasilania sieciowego z gniazdka.

Montaż osłony ochronnej (Rys. A i B)

- Położyć maszynę na stole z wrzecionem (8) skierowanym do góry.
- Nałożyć osłonę ochronną (8) na głowicę maszyny zgodnie z Rysunkiem B, dopilnowując, aby krawędzie osłony ochronnej weszły w nacięcia w głowicy maszyny.
- Przekręcić osłonę ochronną przeciwnie do wskazówek .



Nie podejmować prób użytkowania maszyny bez osłony.

Mocowanie i demontaż tarczy (Rys. B)

- Zawsze używać tarcz odpowiednich dla tej maszyny o średnicy $\varnothing 100\text{mm}$ / $\varnothing 115\text{mm}$ / $\varnothing 125\text{mm}$ i otworze środkowym 16 / 22 / 22 mm. Grubość tarczy powinna wynosić 6 mm dla tarcz do szlifowania i 3 mm dla tarcz do cięcia, a mocowana tarcza nie może dotykać osłony ochronnej.

Mocowanie

- Położyć maszynę na stole z osłoną ochronną (3) skierowaną do góry.
- Założyć kołnierz (9) na wrzeciono (8).
- Założyć tarczę (10) na wrzeciono (8).
- Trzymając wciśnięty przycisk blokady wrzeciona (1), mocno dokręcić nakrętkę mocującą (11) na wrzecionie (8) przy pomocy klucza (12).

Zdejmowanie

- Położyć maszynę na stole z osłoną ochronną (3) skierowaną do góry.
- Trzymając przycisk blokady wrzeciona (1) wciśnięty, poluzować nakrętkę mocującą (11) kluczem (12).
- Zdjąć tarczę (10) z wrzeciona (8).
- Trzymając przycisk blokady wrzeciona (1) wciśnięty, mocno dokręcić nakrętkę mocującą (11) kluczem (12).

3. OBSŁUGA



Dopilnować, aby obrabiany przedmiot był poprawnie podarty lub unieruchomiony i umieścić przewód zasilania z dala od miejsca pracy.

Włączanie i wyłączanie (Rys. A)

- Aby włączyć maszynę następnie wcisnąć włącznik (2).
- Aby wyłączyć maszynę, zwolnić włącznik (2). Trzymać maszynę z dala od obrabianego przedmiotu podczas włączania i wyłączania, ponieważ tarcza może uszkodzić obrabiany przedmiot.
- Mocno zacisnąć obrabiany przedmiot zaciskami lub użyć innego sposobu gwarantującego jego unieruchomienie podczas pracy.
- Regularnie sprawdzać tarcze. Zużyte tarcze mają negatywny wpływ na sprawność maszyny. Zmieniać tarcze na nowe z odpowiednim wyprzedzeniem.
- Zawsze najpierw wyłączać maszynę po użyciu, a potem wyjmować wtyczkę z gniazdka.

Szlifowanie (Rys. C)

Kąt nachylenia od 30° do 40° zapewni najlepsze rezultaty podczas szlifowania. Przesuwać maszynę do tyłu i naprzód, stosując lekki nacisk. Zapobiegnie to odbarwieniu obrabianego przedmiotu lub jego nadmiernemu rozgrzaniu i pozwoli uniknąć wycięcia rowków.



Nigdy nie używać tarczy do cięcia do szlifowania!

Cięcie (Rys. D)

Do cięcia należy zastosować specjalną osłonę ochronną (nie dołączoną).

Utrzymywać stały i silny kontakt z obrabianym przedmiotem, aby zapobiec drganiom, nie przechylać narzędzia ani nie naciskać go podczas cięcia. Stosować umiarkowany nacisk podczas pracy, odpowiedni dla obrabianego materiału. Nie spawniać tarczy stosując nacisk w bok. Ważny jest żądany kierunek cięcia. Maszyna musi zawsze pracować w kierunku przeciwnym do kierunku cięcia, dlatego nigdy nie wolno jej poruszać w przeciwnym kierunku! Istnieje ryzyko utknięcia maszyny w cięciu, co spowoduje odrzut i utratę panowania.

Porady dotyczące optymalnego użytkowania

- Mocować obrabiany przedmiot zaciskami. Używać urządzenia ściskającego (np. imadła) do małych obrabianych przedmiotów.
- Trzymać maszynę obiema rękami.
- Włączyć maszynę.

- Poczekać, aż maszyna osiągnie maksymalne obroty.
- Dotknąć obrabianego przedmiotu tarczą.
- Powoli przesuwając maszynę wzdłuż obrabianego przedmiotu, mocno dociskając tarczę do obrabianego przedmiotu.
- Nie naciskać maszyny za mocno. Pozwolić jej wykonać swoją pracę.
- Wyłączyć maszynę i poczekać, aż całkowicie się zatrzyma przed jej odłożeniem.

4. KONSERWACJA

Wymiana wtyczki zasilania sieciowego (tylko Wielka Brytania)

Jeśli trójbolcowa wtyczka dołączona do urządzenia ulegnie uszkodzeniu i wymaga wymiany, należy ją poprawnie zniszczyć i wymienić na wtyczkę z bezpiecznikiem z atestem BS 1363/13A, przestrzegając poniższych instrukcji okablowania. Przewody w kablu zasilania sieciowego są oznaczone kolorami zgodnie z następującymi kodem: niebieski zerowy brązowy pod napięciem

Ponieważ kolory przewodów w przewodzie zasilania sieciowego urządzenia mogą nie być zgodne z oznaczeniami kolorowymi styków we wtyczce, postępować zgodnie z opisem poniżej:

- Przewód oznaczony niebieskim kolorem należy podłączyć do styku oznaczonego literą N lub kolorem czarnym.
- Przewód oznaczony brązowym kolorem należy podłączyć do styku oznaczonego literą L lub kolorem czerwonym.



Przed rozpoczęciem czyszczenia i konserwacji zawsze wyłączać maszynę i wyjmować wtyczkę zasilania sieciowego z gniazdka.

Czyścić obudowę maszyny regularnie miękką ściereczką, najlepiej po każdym użyciu. Dopilnować, aby otwory wentylacyjne były wolne od pyłu, kurzu i zabrudzeń. Usuwać odporne zabrudzenia miękką ściereczką zwilżoną mydlinami. Nie używać żadnych rozpuszczalników, takich jak benzyna, alkohol, amoniak itp. Takie substancje chemiczne

spowodują uszkodzenie części z tworzyw sztucznych.

Wymienianie przewodów zasilania

Jeśli przewód zasilania jest uszkodzony, musi go wymienić producent, jego przedstawiciel serwisowy lub podobnie, odpowiednio wykwalifikowana osoba, aby uniknąć zagrożenia.

Sprawdzanie i wymiana szczotek węglowych

Jeśli szczotki węglowe są zużyte, należy je wymienić w dziale obsługi klienta producenta lub przez odpowiednio wykwalifikowaną osobę.



Korzystać jedynie poprawnego rodzaju szczotek węglowych zgodnego z oryginalnym.

SRODOWISKO



Uszkodzone i/lub niepotrzebne urządzenia elektryczne lub elektroniczne podlegają zbiórce w odpowiednich punktach recyklingu.

Tylko kraje WE

Nie wyrzucać elektronarzędzi wraz z odpadami z gospodarstw domowych. Zgodnie z dyrektywą 2012/19/EU dotyczącą zużytych urządzeń elektrycznych i elektronicznych oraz jej wdrożeniem do prawodawstwa krajowego, elektronarzędzia, które już nie nadają się do użytku, podlegają oddzielnej zbiórce oraz utylizacji w sposób przyjazny dla środowiska.

GWARANCJA

Warunki gwarancji są opisane w oddzielnej, dołączonej karcie gwarancyjnej.

Produkt i instrukcja obsługi podlegają zmianom. Dane techniczne podlegają zmianom bez uprzedzenia.

KAMPINIS ŠLIFUOKLIS

AGM1110P 710W 100mm

AGM1111P 850W 100mm

AGM1112P 710W 115mm

AGM1113P 850W 115mm

AGM1114P 710W 125mm

AGM1115P 850W 125mm

Ačiū, kad įsigijote šį „Ferm“ gaminį. Dabar turite puikų gaminį, kurį pateikia vieni svarbiausių Europos tiekėjų. Visi „Ferm“ tiekiami gaminiai yra pagaminti pagal aukščiausius veikimo ir saugos standartus. Be to, mes užtikriname puikią techninę priežiūrą, pagrįstą mūsų visapusiška garantija. Mes tikimės, kad šis įrankis puikiai tarnaus jums ilgus metus.

1. SAUGOS TAISYKLĖS



ĮSPĖJIMAS

Perskaitykite pateiktus įspėjimus dėl saugos ir papildomas saugos

taisykles bei nurodymus. Jei bus nesilaikoma toliau pateiktų saugos taisyklių ir nurodymų, gali kilti elektros smūgio, gaisro ir (arba) sunkaus sužeidimo pavojus. Išsaugokite saugos taisykles ir naudojimo instrukciją ateičiai.

Šioje naudojimo instrukcijoje ir arba ant įrenginio naudojami simboliai:



Perskaitykite naudojimo instrukciją.



Reiškia susižeidimo pavojų, pavojų gyvybei ar įrankio sugadinimo grėsmę nesilaikant instrukcijos nurodymų.



Elektros smūgio pavojus



Nedelsdami ištraukite elektros kištuką iš elektros tinklo, jeigu maitinimo kabelis būtų pažeistas ir atlikdami valymo bei techninės priežiūros darbus.



Saugokitės svaidomų objektų. Nелеiskite į darbo vietą pašalinių asmenų.



Visada naudokite akių apsaugos priemones! Naudokite klausos apsaugos priemones.



Mūvėkite apsaugines pirštines.



Nespauskite veleno fiksavimo mygtuko varikliui veikiant.



Gaisro pavojus.



Neišmeskite šio prietaiso į netinkamus konteinerius.



Šis gaminys atitinka galiojančius Europos direktyvų standartus.

Saugos įspėjimai, taikytini atliekant šlifavimo arba šlifuojamojo pjovimo darbus

- Šis elektrinis įrankis yra numatytas veikti kaip šlifuoκlis. **Perskaitykite visus su šiuo elektriniu įrankiu pateiktus saugos įspėjimus, nurodymus, paveikslėlius ir techninius duomenis. Jeigu nesivadovausite visais toliau pateiktais nurodymais, galite gauti elektros smūgį, sukelti gaisrą ir (arba) sunkiai susižeisti.**
- Šiuo elektriniu įrankiu nerekomenduojama atlikti tokių operacijų kaip galandimas arba pjovimas. *Atlikti darbus, kuriems daryti elektrinis įrankis nėra skirtas, gali būti pavojinga ir galima susižeisti.*
- Nenaudokite priedų, kurių specialiai nesukūrė ir nerekomendavo šio įrankio gamintojas. Jeigu priedą ir galima uždėti ant šio elektrinio įrankio, tai dar nereiškia, kad dirbti su juo bus saugu.**
- Nustatytasis priedo sukimosi greitis privalo būti bent jau lygus maksimaliam ant elektrinio įrankio nurodytam greičiui. Priedai, kurie sukasi greičiau, nei numatyta, gali sulūžti ir būti nusviesti.**
- Priedo išorinis skersmuo ir storis turi atitikti elektrinio įrankio pajėgumo koeficientą. Netinkamo dydžio priedų negalima tinkamai apsaugoti apsauginiais gaubtais ar valdyti.**
- Užsriegiamų priedų sriegiai privalo atitikti šlifuoκlio veleno sriegius. Naudojant priedus, montuojamus jungėmis, vidinė priedo anga privalo atitikti jungės fiksavimo skersmenį. Priedai, kurie neatitinka elektrinio įrankio montavimo prietaisų, bus nesubalansuoti,**

pernelyg vibruos ir dėl to galima netekti įrankio kontrolės.

- g) **Nenaudokite apgadintų priedų. Prieš kiekvieną naudojimą, patikrinkite priedą, pavyzdžiui, šlifavimo diską, ar jis neįskilęs ir neįtrūkęs, ar atraminis padas neįtrūkęs, nesuplėšytas ar pernelyg nenusidėvėjęs, ar neatsilaisvino arba nesutrūkinėjo vielinio špečio vielelės. Jeigu elektrinis įrankis ar jo priedas buvo numestas, patikrinkite, ar nėra pažeidimų arba naudokite nepažeistą priedą. Patikrinę ir uždėję priedą, atsistokite atokiai nuo sukamojo priedo vietos ir neleiskite artyn pašalinių asmenų; paleiskite elektrinį įrankį vienai minūtei maksimaliu pajėgumu be apkrovos. Paprastai sugadinti priedai šio patikrinimo metu sulūš.**
- h) **Dėvėkite asmeninės saugos priemones. Priklausomai nuo pritaikymo, naudokite apsauginį antveidį, tamsius arba apsauginius akinius. Pagal aplinkybes dėvėkite respiratorių, ausų apsaugas, mūvėkite pirštines ir darbinę prijuostę, kuri sulaikytų smulkias šlifavimo daleles arba ruošinio dalis. Akiniai turi būti pajėgūs sulaikyti įvairių darbų metu susidarančias, išmetamas daleles. Apsauginė kaukę arba respiratorių turi filtruoti dalelytes, susidariusias jums vykdant operacijas. Dėl intensyvaus ilgalaikio triukšmo galima prarasti klausą.**
- i) **Laikykite stebinčiuosius toliau nuo darbo vietos. Visi įeinantieji į darbo teritoriją, privalo dėvėti asmenines saugos priemones. Ruošinio dalelės arba sulūžę priedai gali būti nusviesti ir sužeisti šalia darbo vietos esančius asmenis.**
- j) **Atlikdami veiksmus, kurių metu pjovimo priedas gali prisiliesti prie paslėptų laidų ar įrankio laido, laikykite elektrinį įrankį tik už izoliuoto suėmimo paviršiaus. Pjovimo daliai prisilietus prie „gyvo“ laido, neizoliuotos metalinės elektrinio įrankio dalys gali sukelti elektros smūgį ir nutrenkti operatorių.**
- k) **Nutieskite laidą atokiai nuo besisukančio priedo. Jeigu netektumėte pusiausvyros, laidas gali būti nupjautas arba jis gali užsikabinti ir įtraukti jūsų ranką į besisukančią priedą.**
- l) **Niekada nepadėkite įrankio, kol jo antgalis visiškai nesustos. Besisukantis priedas gali užsikabinti už paviršiaus ir negalėsite jo valdyti.**
- m) **Nejunkite elektrinio įrankio, kai nešate jį sau**

prie šono. Netyčia prisilietus prie besisukančio priedo, jis gali įtraukti jūsų drabužius ir priedas sužalos jūsų kūną.

- n) **Reguliariai išvalykite elektrinio įrankio ventiliacijos angas. Variklio aušintuvus įtraukus dulkes į korpuso vidų, ir susikaupusios metalo dulkės galės sukelti elektros pavojų.**
- o) **Nenaudokite elektrinio įrankio šalia degių medžiagų. Kibirkštys gali uždegti šias medžiagas.**
- p) **Nenaudokite priedų, kuriuos reikia aušinti aušinimo skysčiais. Naudojant vandenį arba kitas skystas aušinimo medžiagas, galima žūti nuo elektros srovės arba elektros smūgio.**

Atatranka ir su ja susiję įspėjimai

Atatranka - tai staigi reakcija į besisukančio disko, atraminio pado, šepetėlio ar kokio nors kito priedo užstrigimą ar užkliuvimą. Suspaudimas arba sugriebimas sukelia staigų besisukančio priedo sulaikymą, dėl kurio nevaldomas elektrinis įrankis sulaikymo taške verčiamas judėti priešinga priedo sukimuisi kryptimi.

Pavyzdžiui, jei šlifavimo diskas yra sugnybiamas arba užstringa ruošinyje, disko kraštas, įeinantis į sužnybimo tašką, gali įstrigti medžiagos paviršiuje, priversdamas diską išlėkti ir atšokti.

Diskas gali atšokti į operatorių arba nuo jo; tai priklauso nuo disko sukimosi krypties suspaudimo metu. Esant tokios sąlygoms, šlifuojamieji diskai gali suskilti. Atatranka yra piktnaudžiavimo elektriniu įrankiu ir (arba) netinkamų darbo procedūrų ar sąlygų rezultatas, jos galima išvengti vadovaujantis toliau nurodytomis atsargumo priemonėmis.

- a) **Tvirtai laikykite elektrinį įrankį ir stovėkite taip, kad jūsų kūnas bei ranka netrukdytų priešintis atatrankos jėgoms. Visuomet naudokite pagalbinę rankeną, jei ji įrengta, kad galėtumėte maksimaliai suvaldyti įrankį atatrankos arba sukimo momento reakcijos metu. Operatorius gali suvaldyti sukimo momento reakcijos arba atatrankos jėgas, jei imsis tinkamų atsargumo priemonių.**
- b) **Niekada neikiškite rankų prie besisukančio priedo. Priedas gali atšokti nuo jūsų rankos.**
- c) **Nestovėkite tokioje padėtyje, į kurią galėtų atšokti įrankis įvykus atatrankai. Atatranka svies įrankį kryptimi, priešinga disko sukimosi kryptčiai sugnybimo taške.**

- d) Būkite itin atsargūs, apdirbdami kampus, aštrius kraštus ir pan. Stenkitės, kad įrankis neatšoktų ir neužkliūtų. *Kampai, aštrūs kraštai arba šoktelėjimas gali priversti besisukančią priedą užkliūti ir sukelti atatranką, arba įrankis gali tapti nesuvaldomas.*
- e) **Nemontuokite grandininio pjūklo medžio drožimo disko arba dantyto pjūklo disko.** *Tokie diskai dažnai sukelia atatranką ir įrankis tampa nevaldomas.*

Saugos įspėjimai, taikytini atliekant šlifavimo ir šlifuojamojo pjovimo darbus

- a) **Naudokite tik šiam elektriniam įrankiui rekomenduojamus diskus ir konkreitiems pasirinktiems diskams pritaikytus apsauginius gaubtus.** *Diskų, kurie nėra skirti naudoti su šiuo įrankiu, negalima tinkamai apsaugoti apsauginiais gaubtais, su jais dirbti nesaugu.*
- b) **Diskų su įspaustais centrais šlifavimo paviršius privalo būti sumontuotas taip, kad jis būtų žemiau apsauginio gaubto krašto plokštumos.** *Netinkamai sumontuoto disko, kuris išsikiša pro apsauginio gaubto krašto plokštumą, tinkamai apsaugoti neįmanoma.*
- c) **Siekiant maksimalaus saugumo, reikia saugiai, tinkamai uždėti apsauginį skydą, kad būtų neuždengta minimali disko dalis.** *Apsauginis gaubtas padeda apsaugoti operatorių nuo skriejančių sulūžusio disko dalelių, atsitiktinio prisilietimo prie disko ir kibirkščių, kurios gali uždegti drabužius.*
- d) **Diskus reikia naudoti tik tiems darbams, kuriems jie yra rekomenduojami.** **Pavyzdžiui, nešlifukite pjovimo disko šonu.** *Šlifuojamieji pjovimo diskai skirti periferiniam galandimui, šoninės jėgos juos gali suskaldyti.*
- e) **Visuomet naudokite neapgadintas, tinkamo dydžio ir formos, pagal pasirinktą diską, diskų junges.** *Tinkamos diskų jungės laiko diską ir taip sumažina disko sulaužymo galimybę. Pjovimo diskams skirtos jungės gali būti visai kitokios nei šlifavimo diskų jungės.*
- f) **Nenaudokite nuo didesnių elektrinių įrankių nuimtų, susidėvėjusių diskų.** *Didesniems elektriniams įrankiams skirti diskai netinka greičiau besisukančiam mažesniai įrankiui, jie gali sprogti.*

Papildomi saugos įspėjimai atliekant šlifuojamojo pjovimo darbus:



Pjovimo darbus galima atlikti tik naudojant specialų atvirą apsauginį gaubtą (nepateikiamas).

- a) **Nespauskite pjovimo disko ir nenaudokite pernelyg didelio slėgio.** **Nemėginkite atlikti pernelyg gilių pjūvių.** *Per daug spaudžiant diską, padidėja apkrova ir diskas gali greičiau sulinkti arba užstrigti pjūvyje bei sukelti atatranką arba diskas gali suskilti.*
- b) **Nestovėkite vienoje linijoje su besisukančiu disku arba už jo.** *Kai diskas darbo metu juda nuo jūsų kūno, galima atatranka gali sviesti besisukančią diską ir elektrinį įrankį tiesiai į jus.*
- c) **Kai diskas užstrigo arba kai pjovimas dėl kitų priežasčių nutraukiamas, išjunkite elektrinį įrankį ir nejudinkite jo, kol diskas visiškai nenustos sukstis.** **Niekada nebandykite ištraukti disko iš pjūvio, kol diskas sukasi, kitaip gali įvykti atatranka.** *Išstirkite ir pataisykite gedimą, kad diskas daugiau neužstrigtų.*
- d) **Nepradėkite iš naujo pjauti, kai diskas ruošinyje.** **Palaukite, kol diskas ims sukstis visu greičiu, tada vėl atsargiai nuleiskite jį į pjūvį.** *Vėl paleidus elektrinį įrankį ruošinyje, jis gali užstrigti, iššokti arba gali vėl įvykti atatranka.*
- e) **Paremkite plokštes arba kitus labai didelius ruošinius, kad maksimaliai sumažėtų pavojus suspausti diską ir sukelti atatranką.** *Dideli ruošiniai dažnai linksta nuo savo pačių svorio. Ruošinį reikia paremti iš abiejų disko pusių, šalia pjovimo linijos ir prie ruošinio krašto.*
- f) **Ypač būkite atsargūs įpjaudami sienas arba kitas aklinas vietas.** *Atsikišęs diskas gali prapjauti dujų ar vandens vamzdžius, elektros laidus arba objektus, kurie gali sukelti atatranką.*

Elektros sauga

Naudodami elektrinius įrenginius visuomet laikykitės jūsų šalyje taikytinų saugos nuostatų, kad sumažintumėte gaisro, elektros smūgio ir susižeidimo pavojų. Perskaitykite šiuos saugos nurodymus, o taip pat ir pridėtus papildomus saugos nurodymus.



Visada patikrinkite, ar maitinimo tinklo įtampa atitinka įtampą, nurodytą techninių duomenų plokštelėje.



*II klasės prietaisas - dviguba izoliacija -
Nereikia jokio žeminto kištuko.*

Jeigu elektrinį įrankį neišvengiamai reikia naudoti drėgnoje aplinkoje, naudokite energijos šaltinį, apsaugotą liekamosios elektros srovės prietaisu (RCD). RCD naudojimas sumažina elektros smūgio pavojų.

2. INFORMACIJA APIE ĮRENGINĮ

Naudojimo paskirtis

Šis kampinis šlifuoכלis skirtas mūriui ir plieninėms medžiagoms šlifuoti nenaudojant vandens. Norint atlikti pjovimo darbus, privaloma naudoti specialų apsauginį gaubtą (nepateikiamas).

Techniniai duomenys

Modelio Nr.	AGM1110P	AGM1112P	AGM1114P
Elektros tinklo įtampa	220-240 V~		
Elektros tinklo dažnis	50/60 Hz		
Galios įvestis	710 W		
Nominalus sukimosi greitis	N_0 11.000/min		
Šlifavimo diskas			
Skersmuo	100 mm	115 mm	125 mm
Vidinė anga	16 mm	22 mm	22 mm
Veleno sriegis	M10	M14	M14
Svoris	1.98 kg	2 kg	2.05 kg
Garso slėgis (L_{PA})	86.4 + 3 dB(A)		
Garso galia (L_{WA})	97.4 + 3 dB(A)		
Vibracija šlifuojant paviršių $a_{h,AG}$	6.334 + 1.5 m/s ²		

Modelio Nr.	AGM1111P	AGM1113P	AGM1115P
Elektros tinklo įtampa	220-240 V~		
Elektros tinklo dažnis	50/60 Hz		
Galios įvestis	850 W		
Nominalus sukimosi greitis	N_0 11.000/min		
Šlifavimo diskas			
Skersmuo	100 mm	115 mm	125 mm
Vidinė anga	16 mm	22 mm	22 mm

Veleno sriegis	M10	M14	M14
Svoris	1.98 kg	2 kg	2.05 kg
Garso slėgis (L_{PA})	86.4 + 3 dB(A)		
Garso galia (L_{WA})	97.4 + 3 dB(A)		
Vibracija šlifuojant paviršių $a_{h,AG}$	6.334 + 1.5 m/s ²		

Vibracijos lygis

Šioje naudojimo instrukcijoje nurodytas vibracijos lygis nustatytas atsižvelgiant į standartinį bandymo metodą, pateiktą EN 60745; jį galima naudoti palyginimui su kitais įrankiais ir preliminarium vibracijos poveikio įvertinimui naudojant įrankį minėtiems darbams atlikti

- naudojant įrankį kitokiems darbams arba naudojant su kitokiais arba prastai techniškai prižiūrimiems priedais, poveikio lygis gali ženkliai padidėti
- kai įrankis yra išjungtas arba kai jis veikia, bet faktiškai nėra naudojamas, poveikio lygis gali ženkliai sumažėti

Apsisaugokite nuo vibracijos poveikio, techniškai prižiūređami įrankį ir jo priedus, laikydami rankas šiltai, planuodami darbus.

Aprašas

Šiame tekste esantys skaičiai atitinka 2-3 psl. esančius paveikslėlius.

A pav.

1. Veleno fiksavimo mygtukas
2. Įjungimo/išjungimo jungiklis
3. Apsauginis gaubtas

B pav.

8. Velenas
9. Montavimo jungė
10. Diskas (nepateikiamas)
11. Suveržimo veržlė
12. Atsuktuvus
13. Šoninė rankena

Surinkimas



Prieš surinkdami įrankį, visada išjunkite jį ir ištraukite maitinimo laido kištuką iš elektros lizdo.

Apsauginio gaubto montavimas (A ir B pav.)

- Padėkite prietaisą ant stalo veleno (8) aukštyn.
- Dėkite apsauginį gaubtą (3) ant prietaiso galvutės, kaip pavaizduota B paveikslėlyje: apsauginio gaubto kraštai būtina turi atsидurti prietaiso galvutės grioveluose.
- Sukite apsauginį gaubtą prieš laikrodžio rodyklę.



Niekada nebandykite naudoti šio įrankio be apsauginio gaubto.

Disko uždėjimas ir nuėmimas (B pav.)

- Visada naudokite šiam prietaisui tinkamą, Ø100mm / Ø115mm / Ø125mm skersmens diską; disko vidinė anga turi būti 16 / 22 / 22 mm; šlifavimo disko storis turi būti 6 mm, o pjovimo disko storis - 3 mm; sumontuotas diskas neturi liesti apsauginio gaubto.

Montavimas

- Padėkite prietaisą ant stalo apsauginiu gaubtu (3) aukštyn.
- Uždėkite jungę (9) ant veleno (8).
- Uždėkite diską (10) ant veleno (8).
- Laikydami nuspaužę veleno fiksavimo mygtuką (1), veržliarakčiu (12) užveržkite suveržimo veržlę (11) ant veleno (8).

Nuėmimas

- Padėkite prietaisą ant stalo apsauginiu gaubtu (3) aukštyn.
- Laikydami nuspaužę veleno fiksavimo mygtuką (1), veržliarakčiu (12) atsukite suveržimo veržlę (11).
- Nuimkite diską (10) nuo veleno (8).
- Laikydami nuspaužę veleno fiksavimo mygtuką (1), veržliarakčiu (12) tvirtai užverkite užveržkite suveržimo veržlę (11).

3. NAUDOJIMAS



Įsitikinkite, ar ruošinys yra tinkamai paremtas arba įtvirtintas; maitinimo laiką nutieskite atokiai nuo darbo vietos.

Įjungimas ir išjungimas (A pav.)

- Įjunkite įrankį, tada paspauskite įjungimo/ išjungimo svirtinį jungiklį (2).
- Jeigu įrankį norite išjungti, atleiskite įjungimo/ išjungimo svirtinį jungiklį (2).

Įjungdami ir išjungdami įrankį, laikykite jį atokiai nuo ruošinio, nes diskas gali jį apgadinti.

- Tvirtai įtvirtinkite ruošinį spaustuvais arba kitokiu būdu, kad dirbant jis nepajudėtų.
- Reguliariai tikrinkite diskus. Nusidėvėję diskai neigiamai veikia įrankio darbo našumą. Tinkamu metu pakeiskite diską nauju.
- Panaudoję įrankį, prieš ištraukdami kištuką iš sieninio lizdo, visuomet pirma išjunkite įrankį.

Nugalandimas (C pav.)

Geriausiu nugalandimo rezultatai pasiekiami pasirinkus 30° - 40° posvyrio kampą. Judinkite prietaisą pirmyn - atgal, nestipriai jį spausdami. Tuomet ruošinys nepakeis spalvos, per daug neįkams, bus be griovelių.



Niekada nenaudokite šlifuojamųjų pjovimo diskų nugalandimo darbams!

Pjovimas (D pav.)

Norint atlikti pjovimo darbus, privaloma naudoti specialų apsauginį gaubtą (nepateikiamas). Įrankį reikia tvirtai atremti į ruošinį, kad nekiltų vibracija, o pjaunant įrankio negalima pakreipti arba smarkiai spausti. Dirbdami naudokite vidutinę jėgą, atsižvelgdami į medžiagą, kurią apdirbate. Nebandykite mažinti diskų sukimosi greičio, atremdami ką nors į jų šonus. Svarbi kryptis, kuria norite pjauti. Įrankis visada turi veikti pjūvio kryptiai priešinga kryptimi; todėl niekada nestumkite įrankio kita kryptimi! Antraip kyla pavojus, kad įrankis užstrigs pjūvyje ir sukels atitrangą, todėl galite nesuvaldyti įrankio.

Patarimai, kaip optimaliai naudoti įrankį

- Įtvirtinkite ruošinį. Mažus ruošinius įtvirtinkite spaustuvais.
- Tvirtai laikykite prietaisą abejomis rankomis.
- Įjunkite prietaisą.
- Palaukite, kol prietaisas pasieks maksimalų sukimosi greitį.
- Dėkite diską ant ruošinio.
- Lėtai stumkite įrankį išilgai ruošinio, tvirtai įrėmę diską į ruošinį.
- Per daug nespauskite prietaiso. Leiskite prietaisui pačiam atlikti darbą.
- Prieš padėdami įrankį į vietą, visada jį išjunkite ir palaukite, kol diskas visiškai sustos.

4. TECHNINĖ PRIEŽIŪRA

Elektros kištuko keitimas (tik Jungtinės Karalystės vartotojams)

Jeigu vienisai prie įrenginio prijungtas 3 kontaktų kištukas sugestų ir jį reikėtų pakeisti, svarbu jį tinkamai sugadinti ir pakeisti aprobuotu, saugikliu apsaugotu BS 1363/13A kištuku, vadovaujantis toliau pateiktais laidų sujungimo nurodymais. Maitinimo kabelio laidų spalvos atitinka šiuos pažymėjimus:

- mėlynas neutralus
- rudas turintis įtampą

Jei prietaiso maitinimo kabelio laidų spalvos neatitinka spalvinių žymų, nurodančių išvadus kištuke, elkitės taip:

- Mėlynas laidas turi būti jungiamas prie išvado, pažymėto raide „N“, arba juodos spalvos išvado.
- Rudas laidas turi būti jungiamas prie išvado, pažymėto raide „L“, arba raudonos spalvos išvado.



Prieš atlikdami valymo ir techninės priežiūros darbus, visada išjunkite jį ir ištraukite maitinimo laido kištuką iš elektros lizdo.

Reguliariai valykite prietaiso korpusą sausa šluoste, pageidautina po kiekvieno panaudojimo. Ventilacijos angos turi būti švarios: nedulkėtos ir nepurvinos. Įsisenėjusį purvą nuvalykite minkšta šluoste, suvilgyta muiluotame vandenyje. Nenaudokite jokių tirpiklių, pavyzdžiui, benzino, alkoholio, amoniako ir panašiai, nes tokios cheminės medžiagos gali sugadinti sintetines įrankio sudedamąsias dalis.

Pakeiskite maitinimo laidą

Jei pažeidžiamas maitinimo laidas, jį leidžiama keisti tik gamintojui, gamintojo klientų aptarnavimo atstovui arba panašios kvalifikacijos asmeniui - kitaip gali kilti pavojus.

Anglinių šepetėlių tikrinimas ir keitimas

Jeigu angliniai šepetėliai nusidėvėtų, juos privalo pakeisti gamintojo klientų aptarnavimo skyriaus atstovas arba tinkamai kvalifikuotas asmuo.



Naudokite tik tinkamo tipo originalius anglinius šepetėlius.

APLINKOSAUGA



Sugedusius ir (arba) išmestus elektrinius arba elektroninius aparatus reikia pristatyti į atitinkamus perdirbimo punktus.

Taikoma tik EB šalims

Neišmeskite elektrinių įrankių kartu su įprastomis buitinėmis atliekomis. Atsižvelgiant į ES Direktyvą 2012/19/EU dėl elektrinių ir elektroninių įrenginių bei jos įgyvendinimą pagal nacionalinius teisės aktus, visi elektriniai įrankiai privalo būti surenkami atskirai nuo buitinių atliekų bei perdirbami tokiu būdu, kad nebūtų daroma žala aplinkai.

GARANTIJA

Garantines sąlygas galite rasti atskirai pridėtoje garantijos kortelėje.

Gaminys ir naudojimo instrukcija gali būti keičiami. Techniniai duomenys gali būti keičiami ne išankstinio įspėjimo.

LENĶA SLĪPMAŠĪNA**AGM1110P 710W 100mm****AGM1111P 850W 100mm****AGM1112P 710W 115mm****AGM1113P 850W 115mm****AGM1114P 710W 125mm****AGM1115P 850W 125mm**

Pateicamies, ka iegādājāties šo Ferm izstrādājumu. Tādējādi jums tagad ir lielisks izstrādājums, ko izgatavojis viens no Eiropas vadošajiem ražotājiem. Visi izstrādājumi, ko ražojis Ferm, ir izgatavoti atbilstoši visaugstākajiem veiktspējas un drošības standartiem. Mūsu filosofijas pamatā ir arī izcilis klientu apkalpošanas serviss, kas ietilpst mūsu daudzpusīgajā garantijā. Mēs ceram, ka šo izstrādājumu ar prieku lietosiet gadiem ilgi.



*Vienmēr valkājiet acu aizsargus!
Valkājiet ausu aizsargus.*



Valkājiet aizsargcimdus.



Nedriksst spiest vārpstas bloķēšanas pogu, kamēr dzinējs darbojas.



Ugunsgrēka risks.



Nododot instrumentu atkritumos, neievietojiet to nepiemērotās tvertnēs.



Instrumentu atbilst spēkā esošiem Eiropas direktīvu drošības standartiem.

1. DROŠĪBAS NORĀDĪJUMI**BRĪDINĀJUMS!**

Izlasiet šeit pievienotos drošības brīdinājumus, papildu drošības

brīdinājumus un norādījumus. Ja netiek ievēroti drošības brīdinājumi un norādījumi, var gūt elektriskās strāvas triecienu, izraisīt ugunsgrēku un/vai gūt smagus ievainojumus. **Saglabājiet drošības brīdinājumus un norādījumus turpmākām uzziņām.**

Šajā lietošanas rokasgrāmatā vai uz instrumenta tiek lietoti šādi apzīmējumi:



Izlasiet lietošanas rokasgrāmatu.



Apzīmē ievainojuma, nāves vai instrumenta bojājuma risku, ja netiek ievēroti šajā rokasgrāmatā sniegtie norādījumi.



Elektriskās strāvas trieciena risks.



Nekavējoties atvienojiet kontaktdakšu no elektrotīkla, ja barošanas vads ir bojāts vai ja veicat tīrīšanu un apkopi.



Gaisā izsviestu priekšmetu bīstamība. Neļaujiet nepiederošām personām atrasties darba zonā.

**Drošības brīdinājumi attiecībā uz slīpēšanu un abrazīviem nogriešanas darbiem**

- Šo elektroinstrumentu paredzēts lietot kā slīpmašīnu. Izlasiet visus drošības brīdinājumus, norādījumus, ilustrācijas un tehniskos datus, kas atrodas elektroinstrumenta komplektācijā. Ja netiek ievēroti visi turpmāk redzami norādījumi, var saņemt elektriskās strāvas triecienu, izraisīt ugunsgrēku un/vai gūt smagu ievainojumu.**
- Ar šo elektroinstrumentu nav ieteicams veikt smirģelēšanas, slīpēšanas ar suku un pulēšanas darbus. Veicot darbus, kam šis elektroinstrumentu nav paredzēts, var rasties bīstami apstākļi un varat gūt ievainojumus.**
- Lietojiet tikai šī instrumenta ražotāja īpaši izgatavotos un ieteiktos piederumus. Kaut arī kādu citu piederumu ir iespējams piestiprināt pie instrumenta, tā lietošana nav droša.**
- Piederuma nominālajam ātrumam jābūt vismaz vienādam ar maksimālo ātrumu, kas atzīmēts uz elektroinstrumenta. Piederumi, kas kustas ātrāk par nominālo ātrumu, var salūzt un nolidot nost.**
- Piederuma ārējam diametram un biezumam jābūt elektroinstrumenta jaudas koeficienta robežās. Nepareiza izmēra piederumus nav iespējams pietiekami uzmanīt vai kontrolēt.**
- Piederumu montāžas vītnes izmēram jāatbilst slīpmašīnas vārpstas vītnes izmēram. To piederumu iekšējam diametram,**

kurus uzstāda ar atloku palīdzību, jāatbilst atloka izvirzījuma diametram. *Piederumi, kuri neatbilst elektroinstrumenta vārpstas lielumam, sāk svārstīties un pārmerīgi vibrēt, kā arī to dēļ var zaudēt kontroli pār instrumentu.*

- g) **Nelietojiet bojātu piederumu. Pirms katras ekspluatācijas reizes pārbaudiet piederuma stāvokli, piemēram, vai rīpā nav robu un plaisu, vai atbalsta paliktņis nav saplaisājis, nodilis vai pārlieku nolietojies un vai stieplu suka nav vaļīga un kādā stāvoklī ir tās stieplu sari. Ja elektroinstrumenta vai piederums ir ticis nomests zemē, pārbaudiet, vai tas nav bojāts. Ja ir, uzstādiat jaunu piederumu. Kad pārbaude ir veikta un piederums ir piestiprināts, gan jums, gan apkārtējām personām jāstāv drošā attālumā no piederuma rotēšanas zonas, bet elektroinstrumentu vienu minūti jādarbina maksimālajā ātrumā bez noslodzes. Bojāti piederumi šajā pārbaudes laikā parasti salūzt.**
- h) **Valkājiet personīgo aizsargaprīkojumu. Atkarībā no veicamā darba valkājiet sejas aizsargu, aizsargbrilles vai brilles. Ja vajadzīgs, valkājiet putekļu masku, ausu aizsargus, cimdus un darba priekšautu, kas aiztur mazas abrazīvas vai materiāla daļiņas. Acu aizsargaprīkojumam jāaiztur lidojoši netīrumi, kas rodas dažādu darbu veikšanas laikā. Putekļu maskas vai respiratora filtram jāaiztur darba laikā radušās daļiņas. Ilgstoša un ļoti intensīva trokšņa iedarbībā varat zaudēt dzirdi.**
- i) **Neļaujiet nepiederošām personām atrasties darba zonā. Ikvienam, kas atrodas darba zonā, jāvalkā personīgais aizsargaprīkojums. Apstrādājamā materiāla vai bojāta piederuma daļiņas var aizlidot un izraisīt ievainojumus tiem, kas atrodas darba zonas tuvumā.**
- j) **Veicot darbu, turiet elektroinstrumentu pie izolētajām satveršanas virsmām, ja grieznis varētu saskarties ar aplēptu elektroinstalāciju vai ar savu vadu. Ja grieznis saskaras ar vadiem, kuros ir strāva, visas instrumenta ārējās metāla virsmas vada strāvu un rada elektriskās strāvas trieciena risku.**
- k) **Novietojiet vadu tā, lai tas nepieskartos rotējošam piederumam. Ja zaudējāt kontroli, instruments var pārgriezt vai aizķert vadu, bet jūsu roka var tikt ierauta rotējošajā piederumā.**

- l) **Elektroinstrumentu nedrīkst nolikt malā, līdz piederums nav pilnībā pārstājis darboties. Rotējošais piederums var satvert virsmu un izraut elektroinstrumentu jums no rokām.**
- m) **Elektroinstrumentu nedrīkst darbināt, kad pārnēsājat to, turot virzienā pret sevi. Ja apģērbs nejauši pieskaras rotējošajam piederumam, tas var tikt satverts, piederumu ieraujot jūsu ķermenī.**
- n) **Regulāri tīriet elektroinstrumenta gaisa atveres. Dzinēja ventilators ierauj putekļus korpusā un pārāk liels uzkrātā metāla pulvera daudzums var izraisīt elektrobīstamību.**
- o) **Elektroinstrumentu nedrīkst darbināt viegli uzliesmojošu materiālu tuvumā. Dzirksteles var aizdedzināt šos materiālus.**
- p) **Nelietojiet tādus piederumus, kam vajadzīgi dzesēšanas šķidrums. Ja tiek izmantots ūdens vai citi dzesēšanas šķidrums, jūs varat gūt nāvējošu vai elektriskās strāvas triecieni.**

Atsitiens un ar to saistīti brīdinājumi

Atsitiens ir pēkšņa reakcija uz rotējošas rīpas, atbalsta paliktņa, sukas vai cita piederuma saspiešanu vai satveršanu. Saspiešanas vai satveršanas rezultātā rotējošais piederums pēkšņi apstājas, tādēļ elektroinstrumentu vairs nav iespējams savaldīt, un tas ar spēku triecas pretēji rotācijas virzienam sakeres punktā. Piemēram, ja apstrādājamais materiāls ir saspiedis vai satvēris abrazīvo rīpu, tās mala, kas atrodas pret saspiešanas vietu, var iegriezties materiāla virsmā, izraisot rīpas izkrišanu vai atsitienu ar spēku. Rīpa var atsīties gan operatora, gan tam pretējā virzienā, atkarībā no rīpas kustības virziena saspiešanas vietā. Abrazīvās rīpas šajos apstākļos var arī salūzt. Atsitiens rodas instrumenta nepareizas lietošanas un/vai nepareizu darba paņēmieni vai apstākļu rezultātā, un to var novērst, veicot attiecīgus piesardzības pasākumus, kā norādīts turpmāk.

- a) **Nepārtraukti cieši turiet mehanizēto instrumentu un novietojiet savu ķermeni un rokas tā, lai varētu pretoties atsitienu spēkiem. Lai pēc iespējas labāk novaldītu atsitienu vai griezes momentu iedarbināšanas laikā, vienmēr lietojiet palīgrokuri, ja tāds ir. Operators var novaldīt griezes momenta reakciju vai atsitienu spēku, ja veic attiecīgus piesardzības pasākumus.**

- b) **Rokas nedrīkst turēt rotējošā piederuma tuvumā.** *Piederums var radīt atsitienu rokai.*
- c) **Nedrīkst atrasties tajā vietā, kur elektroinstruments virzīsies atsitienu gadījumā.** *Atsitienu spēka ietekmē instruments virzīsies pretēji ripas kustības virzienam saspiešanas vietā.*
- d) **Ievērojiet īpašu piesardzību, apstrādājot stūrus, asas malas, u.c. Novērsiet piederuma atlēcienus un sadursmes ar šķēršļiem.** *Stūri, asas malas vai atlēcieni mēdz izraisīt rotējošā piederuma ieķeršanos, kā rezultātā varat zaudēt kontroli pār instrumentu vai ciest no atsitienu.*
- e) **Nedrīkst uzstādīt ķēdes zāģa kokgriešanas asmeni vai zāģa asmeni ar zobiem.** *Šādi asmeņi bieži izraisa atsitienu un instrumenta nevaldāmu darbību.*

Īpaši drošības brīdinājumi attiecībā uz slīpēšanu un abrazīviem nogriešanas darbiem

- a) **Izmantojiet tikai šim elektroinstrumentam paredzētus ripu veidus un izvēlētajai ripai piemērotu aizsargu.** *Ripas, kas nav paredzētas šim elektroinstrumentam, nav iespējams pienācīgi uzstādīt, un tās nav drošas lietošanai.*
- b) **Slīpripu ar ieliektu centru slīpēšanas virsmai jāatrodas zem aizsarga pārkarmalas plaknes.** *Ja ripa ir nepareizi uzstādīta un izvīzās ārpus aizsarga pārkarmalas plaknes, ripa netiek pietiekami aizsargāta.*
- c) **Aizsargam ir jābūt cieši piespīrinātam pie elektroinstrumenta un maksimāli droši novietotam tā, lai pret operatoru būtu pavērsta vismazākā iespējamā ripas daļa.** *Aizsargs palīdz aizsargāt operatoru pret salūzušas ripas atlūzām, nejaušas saskaršanās ar ripu un dzirkstelēm, kas var aizdedzināt apģērbu.*
- b) **Ripas drīkst lietot tikai tām paredzētajiem mērķiem. Piemēram, ar griezējripas malu nedrīkst slīpēt.** *Abrazīvas griezējripas paredzētas perifērai slīpēšanai, tāpēc, ja uz šīm rīpām iedarbojas sānu spēks, tās var salūzt.*
- e) **Jālieto tikai nebojāti ripu atloki, kuru izmērs forma atbilst izvēlētajai ripai.** *Pareizi ripu atloki balsta ripas, tādējādi samazinot ripas salūšanas iespējamību. Griezējripām paredzētie atloki var atšķirties no slīpripas atlokiem.*
- f) **Nedrīkst lietot nodilušas ripas, kas bijušas lietotas ar lielākiem elektroinstrumentiem.** *Ripa, kas paredzēta lielākiem elektro-*

instrumentiem, nav piemērota mazāka instrumenta lielākam rotācijas ātrumam un var saplīst.

Papildu īpaši drošības brīdinājumi attiecībā uz abrazīviem nogriešanas darbiem



Nogriešanas darbus drīkst veikt tikai ar īpašu aizsargu (nav iekļauts komplektācijā).

- a) **Nepieļaujiet griezējripas iestrēgšanu, kā arī nespiediet pārāk cieši uz tās. Necentieties veikt pārāk dziļu iegriezumu.** *Ja ripa tiek spiesta pārāk spēcīgi, palielinās risks ripai saliekties vai iestrēgt materiālā, kā rezultātā var tikt izraisīts atsitiens vai ripa salūzt.*
- b) **Nenostājieties vienā līmenī ar rotējošo ripu vai aiz tās.** *Ja ripa darba laikā rotē pretējā virzienā no jums, iespējama atsitienu spēka ietekmē rotējošā ripa un elektroinstruments virzās tieši jūsu virzienā.*
- c) **Ja ripa ir iestrēgusi vai ja kāda iemesla dēļ slīpēšana/griešana ir pārtraukta, izslēdziet elektroinstrumentu un turiet to nekustīgi, līdz ripa pilnībā pārstāj darboties.** *Nekādā gadījumā neizņemiet griezējripu no iegriezuma materiālā, kamēr ripa atrodas kustībā, citādi var notikt atsitiens.* *Novērtējiet situāciju un vērsiet to par labu, lai novērstu ripas iestrēgšanas cēloni.*
- d) **Neatsāciet darbu ar instrumentu, ja ripa atrodas materiālā. Nogaidiet, līdz ripa sasniedz maksimālo ātrumu, un uzmanīgi atsāciet griešanu.** *Ja atsāksiet darbu ar instrumentu, kas atrodas materiālā, ripa var iestrēgt, izlēkt ārā vai izraisīt atsitienu.*
- e) **Atbalstiet paneļus vai jebkuru citu pārāk lielu materiāla gabalu, lai līdz minimumam samazinātu ripas iespiešanās un atsitienu risku.** *Lieli materiāla gabali mēdz nosēsties paši zem sava svara. Atbalsti ir jānovieto zem materiāla gabala griezuma līnijas tuvumā un materiāla gabala malas tuvumā abās ripas pusēs.*
- f) **Ievērojiet īpašu piesardzību, veicot iezāģējumus ēku sienās vai citās nosegtās vietās.** *Ripa, kas izvīzās materiāla otrā pusē, var sagriezt gāzes vai ūdens cauruļvadus, elektroinstalāciju vai citus priekšmetus, tādējādi izraisot atsitienu.*

Elektrodrošība

Ekspluatējot elektriskos instrumentus, vienmēr ievērojiet jūsu valstī spēkā esošos drošības noteikumus, lai mazinātu ugunsgrēka, elektriskā trieciena un ievainojuma risku. Izlasiet šeit minētos drošības norādījumus, kā arī pievienotos drošības norādījumus.



Pārbaudiet, vai barošanas avota spriegums atbilst kategorijas plāksnītē norādītajam spriegumam.



II kategorijas instruments; dubulta izolācija; nav jālieto iezemēta kontaktdakša.

Ja elektroinstrumentu nākas ekspluatēt mitrā vidē, ierīkojiet elektrobarošanu ar noplūdstrāvas aizsargierīci. Lietojot noplūdstrāvas aizsargierīci, mazinās elektriskās strāvas trieciena risks.

2. INSTRUMENTA DATI

Paredzētā lietošana

Šī leņķa slīpmašīna ir paredzēta mūra un metāla slīpēšanai, neizmantojot ūdeni. Griešanas darbiem ir jāizmanto īpašs aizsargs (nav iekļauts komplektācijā).

Tehniskie dati

Modeļa Nr.	AGM1110P	AGM1112P	AGM1114P
Elektrotīkla spriegums	220-240 V~		
Elektrotīkla frekvence	50/60 Hz		
leejas jauda	710 W		
Nominālais ātrums	N ₀ 11.000/min		

Slīpripas disks

	100 mm	115 mm	125 mm
Diametrs	100 mm	115 mm	125 mm
Iekšējais diametrs	16 mm	22 mm	22 mm
Vārpstas vītne	M10	M14	M14
Svars	1.98 kg	2 kg	2.05 kg
Skaņas spiediens (L _{PA})	86.4 + 3 dB(A)		
Skaņas jauda (L _{WA})	97.4 + 3 dB(A)		
Vibrācija: virsmas slīpēšana a _{h,AG}	6.334 + 1.5 m/s ²		

Modeļa Nr.	AGM1111P	AGM1113P	AGM1115P
Elektrotīkla spriegums	220-240 V~		
Elektrotīkla frekvence	50/60 Hz		
leejas jauda	850 W		
Nominālais ātrums	N ₀ 11.000/min		

Slīpripas disks

	100 mm	115 mm	125 mm
Diametrs	100 mm	115 mm	125 mm
Iekšējais diametrs	16 mm	22 mm	22 mm
Vārpstas vītne	M10	M14	M14
Svars	1.98 kg	2 kg	2.05 kg
Skaņas spiediens (L _{PA})	86.4 + 3 dB(A)		
Skaņas jauda (L _{WA})	97.4 + 3 dB(A)		
Vibrācija: virsmas slīpēšana a _{h,AG}	6.334 + 1.5 m/s ²		

Vibrāciju līmenis

Šajā lietošanas rokasgrāmatā norādītā vibrāciju emisijas vērtība ir izmērīta saskaņā ar standarta pārbaudes metodi, kas norādīta EN 60745, un to var izmantot viena instrumenta salīdzināšanai ar citu un tam, lai iepriekš novērtētu vibrācijas iedarbību, ja instrumentu lieto iepriekš minēto darbu veikšanai:

- vibrāciju iedarbība var būt ievērojami lielāka, ja instrumentu lieto citu darbu veikšanai, ja tam uzstāda citus piederumus vai ja uzstādītajiem piederumiem nav veikta pietiekami laba apkope;
- vibrācijas iedarbība var būt ievērojami mazāka tajā laikā, kad instruments ir izslēgts vai darbojas tukšgaitā.

Pasargājiet sevi no vibrācijas iedarbības, veicot instrumenta un piederumu apkopi, rūpējoties, lai rokas būtu siltas un organizējot darba gaitu.

Apraksts

Tekstā norādītie numuri attiecas uz 2.-3. lpp. redzamajiem attēliem.

A. att.

- vārpstas bloķēšanas poga
- ieslēgšanas/izslēgšanas slēdzis
- aizsargs

B. att.

- vārpsta
- montāžas atloks

10. ripas disks (nav iekļauts komplektācijā)
11. spīlējuma uzgrieznis
12. uzgriežņu atslēga
13. sānu rokturis

Salikšana



Pirms salikšanas instruments ir jāizslēdz un kontaktdakša ir jāatvieno no barošanas avota.

Aizsarga salikšana (A., B. att.)

- Novietojiet instrumentu uz galda tā, lai vārpsta (8) būtu vērsta augšup.
- Novietojiet aizsargu (3) uz instrumenta galviņas, kā norādīts B. attēlā, tā, lai aizsarga izciļņi iegultu instrumenta galviņas ierobos.
- Pagrieziet aizsargu pretēji pulksteņrādītāja virzienam.



Ar instrumentu nedrīkst strādāt, ja nav uzstādīts aizsargs.

Ripas diska uzstādīšana un noņemšana (B. att.)

- Jālieto šim instrumentam piemērots ripas disks ar AGM1093P Ø115mm / AGM1094P Ø125mm / AGM1095P Ø100mm; ripas diska iekšējais diametrs ir 16 / 22 / 22 mm; slīpriņas diska biezums ir 6 mm, griezējriņas diska biezums ir 3 mm; uzstādītais ripas disks nedrīkst saskarties ar aizsargu.

Uzstādīšana

- Novietojiet instrumentu uz galda tā, lai aizsargs (3) būtu vērsts augšup.
- Novietojiet aizsargu (9) uz vārpstas (8).
- Novietojiet ripas disku (10) uz vārpstas (8).
- Turiet nospiešu vārpstas bloķēšanas pogu (1) un ar uzgriežņu atslēgu (12) cieši pievelciet spīlējuma uzgriezni (11) uz vārpstas (8).

Noņemšana

- Novietojiet instrumentu uz galda tā, lai aizsargs (3) būtu vērsts augšup.
- Turiet nospiešu vārpstas bloķēšanas pogu (1) un ar uzgriežņu atslēgu (12) atskrūvējiet spīlējuma uzgriezni (11).
- Noņemiet ripas disku (10) no vārpstas (8).
- Turiet nospiešu vārpstas bloķēšanas pogu (1) un ar uzgriežņu atslēgu (12) cieši pievelciet spīlējuma uzgriezni (11).

3. EKSPLUATĀCIJA



Apstrādājamajam materiālam ir jābūt pareizi atbalstītam un nostiprinātam, kā arī barošanas vadam ir jābūt novietotam drošā attālumā no darba zonas.

Ieslēgšana un izslēgšana (A. att.)

- Lai ieslēgtu instrumentu tad nospiediet ieslēgšanas/izslēgšanas slēdzi (2).
- Lai izslēgtu instrumentu, atlaidiet ieslēgšanas/izslēgšanas slēdzi (2).

Ieslēdzot un izslēdzot instrumentu, neturiet to uz apstrādājamā materiāla, jo ripas disks var sabojāt apstrādājamo materiālu.

- Cieši nostipriniet apstrādājamo materiālu vai tamlīdzīgā veidā norošiniet to pret izkustēšanos darba laikā.
- Regulāri pārbaudiet diskus, Ja ripu diskus ir nodiluši, tie var nelabvēlīgi ietekmēt instrumenta darba efektivitāti. Laikus nomainiet tos pret jauniem ripu diskus.
- Kad darbs ir pabeigts, vispirms izslēdziet instrumentu un tikai tad atvienojiet vadu no barošanas avota.

Atskabargu slīpēšana (C. att.)

Slīpējot atskabargas, vispiemērotākais instrumenta slīpums ir 30° - 40°. Virziet instrumentu uz priekšu un atpakaļ, to viegli piespiežot. Tādējādi apstrādājama materiāls nezaudē krāsu, pārmērīgi nesakarst un tajā nerodas nevajadzīgi iegriezumi.



Atskabargu slīpēšanai nedrīkst izmantot abrazīvās griezējriņas!

Griešana (D. att.)

Griešanas darbiem ir jāizmanto īpašs noslēgtais aizsargs (nav iekļauts komplektācijā). Cieši turiet instrumentu uz apstrādājamā materiāla, lai novērstu vibrāciju, un griežot nesasveriet un nespiediet instrumentu. Darba laikā piespiediet instrumentu ar vidēji lielu spēku atkarībā no apstrādājamā materiāla veida. Nemēģiniet samazināt ripas diska ātrumu, spiežot uz tās no sāniem. Svarīgs ir virziens, kurā vēlaties griezt. Instrumentam vienmēr jāvirzās pret griešanas virzienu, tāpēc nekādā gadījumā nevirziet to citā virzienā! Pastāv risks instrumentam iestrēgt griezuma vietā, izraisot atsitieni, kā rezultātā jūs varat zaudēt kontroli pār instrumentu.

Ieteikumi optimālai darbībai

- Nostipriniet apstrādājamo materiālu. Mazus materiālus nostipriniet ar spailēm.
- Turiet instrumentu ar abām rokām.
- Ieslēdziet instrumentu.
- Nogaidiet, līdz instruments darbojas pilnā ātrumā.
- Novietojiet ripas disku uz apstrādājamā materiāla.
- Lēnām virziet instrumentu pa apstrādājamo materiālu, cieši piespiežot ripas disku pie materiāla.
- Nespiediet instrumentu pārāk spēcīgi. Ļaujiet instrumentam darboties savā gaitā.
- Izslēdziet instrumentu un nogaidiet, līdz tas pilnībā pārstāj darboties, un tikai tad nolieciet instrumentu nost.

4. APKOPE

Barošanas vada kontaktdakšas nomainīšana (tikai Apvienotajai Karalistei)

Ja trīskontaktu kontaktdakša ir bojāta un jānomaina pret jaunu, svarīgi ir atbrīvoties no tās pareizā veidā un nomainīt pret pareizu, BS 1363/13A apstiprinātu kontaktdakšu ar drošinātāju, kā arī ievērot tālāk minētos elektroinstalācijas norādījumus. Vadi barošanas kabelī ir iekrāsoti atbilstoši šādiem kodiem: zils neitrāls brūns spriegums

Tā kā vadu krāsa barošanas kabelī var nesakrist ar krāsainiem apzīmējumiem uz kontaktdakšas spailēm, rīkojieties šādi:

- zilais vads jāpievieno spaiļei, kas ir apzīmēta ar burtu N vai ir melnā krāsā;
- brūnais vads jāpievieno spaiļei, kas ir apzīmēta ar burtu L vai ir sarkanā krāsā.



Pirms tīrīšanas un apkopes instruments ir jāizslēdz un kontaktdakša ir jāatvieno no barošanas avota.

Ar mīkstu lupatiņu regulāri - ieteicams, pēc katras ekspluatācijas reizes - iztīriet instrumenta korpusu. Regulāri iztīriet putekļus un netīrumus no ventilācijas atverēm. Ļoti noturīgus traipus tīriet ar ziepjūdeni samērcētu mīkstu lupatiņu. Nelietojiet nekādus šķīdumus, piemēram, benzīnu, spirtu,

amonjaku, u.c. Šāda veida ķīmiskās vielas sabojās sintētiskās detaļas.

Nomainiet barošanas vadu pret jaunu

Ja barošanas vads ir bojāts, to drīkst nomainīt tikai ražotājs, tā servisa pārstāvis vai tamlīdzīgi kvalificēta persona, lai novērstu bīstamību.

Ogles suku pārbaude un nomainīšana

Ja ogles sukuks ir nodilušas, tās ir jānomaina ražotāja klientu apkalpošanas dienesta speciālistiem vai tamlīdzīgi kvalificētai personai.



Lietojiet tikai pareiza veida oriģinālās ogles sukuks.

APKĀRTĒJĀ VIDE



Bojāta un/vai nolietota elektriskā vai elektroniskā aparātūra jānogādā piemērotā utilizācijas centrā.

Tikai EK valstīm

Neizmetiet elektroinstrumentus sadzīves atkritumos. Saskaņā ar Eiropas Direktīvu 2012/19/EU par elektrisko un elektronisko iekārtu atkritumiem un īstenojot to saskaņā ar valsts tiesību aktiem, visi elektroinstrumenti, kam beidzies ekspluatācijas laiks, jāsavāc atsevišķi un jānodod videi nekaitīgā pārstrādes iekārtā.

GARANTĪJA

Garantijas nosacījumi ir izklāstīti atsevišķā garantijas kartē, kas pievienota šai rokasgrāmatai

Instrumenti var tikt pārveidoti un lietošanas rokasgrāmata var tikt izdarīti grozījumi. Tehniskie dati var tikt mainīti bez iepriekšēja brīdinājuma.

NURKLIHVKÄI

AGM1110P 710W 100mm

AGM1111P 850W 100mm

AGM1112P 710W 115mm

AGM1113P 850W 115mm

AGM1114P 710W 125mm

AGM1115P 850W 125mm

Täname, et ostsite selle Fermi toote. Olete teinud hea ostu ning nüüd on teil suurepärase toode ühelt Euroopa juhtivalt elektritööriistade tarnijalt. Kõik Fermi tarnitud tooted on valmistatud vastavuses rangeimate toimeisja ohutusnõuetega. Lisaks sellele oleme me seadnud endale eesmärgiks pakkuda suurepärasest klienditeenindusest ja igakülgset garantiid. Me loodame, et tunnete sellest tootest rõõmu ka aastate pärast.

1. OHUTUSJUHISED



Lugege tootega kaasas olevat ohutusteavet, täiendavat ohutusteavet ja juhiseid. Ohutusteabe

ja juhiste mittejärgimise tagajärjeks võib olla elektrilööök, tulekahju ja/või tõsine vigastus.

Hoidke ohutusteave ja juhised alati käepärast.

Kasutusjuhendis või tootel kasutatakse järgmisi sümboleid:



Lugege kasutusjuhendit.



Kõik masinaga seotud vigastus-, surmajuhtumite riskid võivad tekkida, kui ei jälgita seda kasutusjuhendit.



Elektrilöögioht.



Eemaldage seade vooluvõrgust, kui toitejuhe saab kahjustada või kui puhastate ja hooldate seadet.



Lenduva prahi oht. Hoidke kõrvalised isikud tööalast eemal.



Kandke alati silmade kaitset! Kandke kõrva kaitset.



Kandke kaitsekindaid.



Ärge vajutage võllilukustusnuppu, kui mootor töötab.



Tuleoht.



Ärge hoidke toodet selleks ebasobivas kohas.



Toode on vastavuses Euroopa Liidu direktiivides sätestatud asjakohaste ohutusnõuetega.

Üldised ohutushoiatused lihvimisel või abrasiivsel lõikamisel:

- Masin on mõeldud kasutamiseks lihvimismasinaks. Tutvuge kõigi seadmega kaasas olevate juhiste, jooniste, ohutusnõuete ja tehniliste andmetega.** Kõigi allpool esitatud juhiste täpne järgimine aitab vältida elektrilöögi, tulekahju ja/või raske kehavigastuse ohtu.
- Masin ei sobi sellisteks toiminguteks nagu peenlihvimine, pinna puhastamine terasharjaga, poleerimine jne.** Elektritööriista mittesihotstarbeline kasutamine võib põhjustada ohte ja kehavigastusi.
- Ärge kasutage tarvikuid, mida tööriista tootja pole soovitanud ja mis pole välja töötatud spetsiaalselt selle tööriistaga kasutamiseks.** Võimalus tarvik elektritööriista külge panna ei taga veel turvalisust.
- Tarviku nimikiirus peab olema vähemalt võrdne elektritööriistale märgitud maksimumkiirusega.** Nimikiirusest kiiremini töötavad tarvikud võivad puruneda ja tükki kideks laguneda.
- Tarviku välisläbimõõt ja paksus peavad jääma elektritööriista tehnilistes andmetes ettenähtud piiridesse.** Vale suurusega tarvikuid ei saa piisavalt turvata ega valitseda.
- Lisatarvikute paigaldusdetalli keermed peavad vastama lihvimisseadme spindli keermetele.** Äärikutega paigaldatavate tarvikute puhul peab tarviku võlliava sobima ääriku diameetriga. Tarvikud, mille ei vasta elektritööriista paigaldussüsteemile, satuvad tasakaalust välja, vibreerivad liigselt ja võivad põhjustada kontrolli kadumise tööriista üle.

- g) **Ärge kasutage vigaseid tarvikuid.** Enne iga kasutuskorda kontrollige tarvikuid, veendudes, et lihvketastel ei ole tükkeid ega pragusid, et tugiplaat poleks pragunenud, rebenenud või ülemäära kulunud, et traatharjal poleks lahtiseid või lõhenenud traate. Elektritööriista või tarviku mahapillamisel kontrollige, kas see jäi terveks, või paigaldage defektideta tarvik. Pärast tarviku kontrollimist ja paigaldamist seiske ise ja suunake ka juuresviibijad eemale pöörleva tarviku liikumistrajektorist ning lülitage elektritööriist üheks minutiks tühikäigul maksimaalsel kiirusel sisse. Üldjuhul lähevad vigased tarvikud proovimise käigus katki.
- h) **Kasutage kaitsevarustust.** Olenevalt tööst kasutage näokaitset või kaitseprille. **Kandke vastavalt vajadusele tolmu maski, kõrvaklappe, kindaid ja tööpõlle, mis peavad kinni abrasiivi või töödeldava detaili pisiosakesi.** Silmade kaitseks kasutatav vahend peab takistama erinevate tööde käigus õhku paiskuvat prügi sattumist silma. Tolmu mask või respiraator peab suutma töö käigus tekkivad osakesed välja filtreerida. Pikaajaline viibimine tugeva müra käes võib kahjustada kõrvakuulmist.
- i) **Hoidke kõrvalseisjad tööpiirkonnast ohutus kauguses. Kõik tööpiirkonnas viibivad isikud peavad kasutama kaitsevarustust.** Töödeldava detaili või purunenud tarviku tükid võivad lendu pääseda ja tekitada kahjustusi ka vahetust tööpiirkonnast kaugemal.
- j) **Kui on oht, et löikeotsik võib töö käigus varjatud juhtmete või masina enda juhtme vastu puutuda, tuleb elektritööriista hoida vaid isoleeritud haardepindadest.** Kui löikeotsik puutub vastu voolu all olevat juhet, võivad elektritööriista katmata metallosad voolu alla sattuda ja anda seadme käsitsejale elektrilöögi.
- k) **Paigutage juhe pöörlevast tarvikust eemale.** Kontrolli kadumisel võib tarvik juhtme läbi lõigata või sellesse takerduda ning käelaba või käsivars võib tõmbejõu mõjul vastu pöörlevat tarvikut paiskuda.
- l) **Ärge toetage elektritööriista kunagi maha enne, kui tarvik on täielikult peatunud.** Võib juhtuda, et pöörlev tarvik haakub pinna külge ja te ei suuda elektritööriista valitseda.
- m) **Ärge kandke töötavat elektritööriista.** Kogemata pöörleva tarviku vastu puutudes võivad riided selle külge takerduda ja tarviku kasutaja kehasse tõmmata.
- n) **Elektritööriista õhuavasid tuleb regulaarselt puhastada.** Mootori tiivik tõmbab tolmu korpusesse ja metallipuru liigne kuhjumine võib põhjustada elektriõhte.
- o) **Ärge kasutage elektritööriista kergestisüttivate materjalide läheduses.** Need materjalid võivad sädemetest süttida.
- p) **Ärge kasutage tarvikuid, mis vajavad jahutusvedelikku.** Vee või mõne muu jahutusvedeliku kasutamisel võite saada elektrilöögi.

Tagasilöökk ja sellega seotud hoiatused

Tagasilöökk on ootamatu reaktsioon pöörleva ketta, tugiplaadi, harja või mõne muu tarviku kinnikiilumisele või takerdumisele. Kinnikiilumine või takerdumine põhjustab pöörleva tarviku järsu seiskumise, mille tagajärjel paiskub kontrolli alt väljunud elektritööriist kinnikiilumiskohas tarviku pöörlemisele vastassuunas. Näiteks kui lihvketas töödeldavasse detaili kiilub või takerdub, võib takerdumiskohta sisenev ketta serv kaevuda materjali pinda, mille tagajärjel ketas üles kerkitab või välja tõukub. Olenevalt ketta liikumissuunast pitsituskohas võib ketas jõnksatada kasutaja suunas või temast eemale. Abrasiivkettad võivad nimetatud asjaoludel ka puruneda. Tagasilöökk tekib elektritööriista vale kasutamise ja/või valede töövõtete või -tingimuste tagajärjel ja seda saab vältida nõuetekohaste ettevaatusabinõudega, mis on kirjas allpool.

- a) **Hoidke elektritööriista kindlas haardes ning valige selline keha- ja käte asend, mis võimaldab tagasilöögiõule vastu panna.** Kasutage alati lisakäepidet, kui see on seadmega kaasas, et suudaksite tagasilööki või käivitumisel esinevat väändereaktsiooni maksimaalselt valitseda. Nõuetekohaseid ettevaatusabinõusid rakendades on seadme kasutajal võimalik väändereaktsiooni ja tagasilöögiõu kontrolli all hoida.
- b) **Ärge kunagi asetage kätt pöörleva tarviku lähedusse.** Tarvik võib tagasilöögi mõjul vastu kätt paiskuda.
- c) **Vältige keha paiknemist piirkonnas,**

kuhu tööriist tagasilöögi korral paiskub.

Tagasilöök paiskab tööriista takerdumispunktis ketta liikumisele vastupidises suunas.

- d) **Eriti ettevaatlik tuleb olla nurkade, teravate servade jms ligiduses töötades. Vältige tarviku hüplemist ja takerdumist.** *Nurkade, teravate servade ja hüplemise tõttu kipub pöörlev tarvik takerduma ja selle tagajärjel võib tekkida tagasilöök või kaduda kontroll tööriista üle.*
- e) **Ärge ühendage tööriista külge saeketiga puidugraveerimistera ega hambulist saetera.** *Nende terade kasutamisel tekib tihti tagasilöök ja kaob kontroll tööriista üle.*

Lihvimis- ja lõiketööde ohutusega seotud erihoiatused:

- a) **Kasutage ainult teie tööriistale soovitatavaid kettatüüpe ja valitud kettale kujundatud spetsiaalset kaitsekattet.** *Kettaid, millega töötamiseks elektritööriist mõeldud pole, ei saa korralikult kaitsetega varustada ja need on ohtlikud.*
- b) **Keskmete allasurutud ketaste lihvimispind peab olema paigaldatud kaitsekatte serva tasandist allapoole.** *Valesti paigaldatud ketast, mis ulatub kaitsekatte serva tasandist kaugemale, ei saa korralikult kaitsta.*
- c) **Kaitsekate peab olema elektritööriista külge tugevalt kinnitatud ja paigutatud maksimaalset ohutust silmas pidades – nii et töötaja suunas oleks avatud võimalikult väike osa kettast.** *Kaitsekate aitab kaitsta töötajat murdunud kettaosakeste, kogemata kettaga kokkupuutumise ja riideid süüdata võivate sademete eest.*
- d) **Kettaid võib kasutada ainult soovitud töödeks. Näiteks: ärge lihvide lihvimisketta küljega.** *Lihvimiskettad on mõeldud vaid servadega lihvimiseks, küljööudude avaldumise korral võivad kettad puruneda.*
- e) **Kasutage alati kahjustamata kettaäärrikuid, mis on teie valitud ketta jaoks õige suuruse ja kujuga.** *Korralikud kettaäärrikud kaitsevad ketast ja vähendavad ketta purunemise võimalust. Lõikeketaste äärrikud võivad lihvimisketta äärrikust erineda.*
- f) **Ärge kasutage suuremate elektritööriistade kulunud kettaid.** *Suurematele elektritööriistadele mõeldud ketas ei sobi väiksema tööriista suurema kiirusega kasutamiseks ja võib lõhkeda.*

Lihvimis- ja lõiketööde ohutusega seotud täiendavad hoiatused:



Lihvimis- ja lõiketöid võib teha ainult ettenähtud kaitsekattet kasutades (ei kuulu komplekti).

- a) **Ärge laske lõikekettal kinni kiiluda ega avaldage sellele liigset survet. Ärge lõigake liiga sügavalt.** *Ketta ülepingestamine suurendab ketta koormust ja selle väändumise või lõikekohta kinnijäämise võimalust ning tekitab seeläbi ketta tagasiviskumise või purunemise ohu.*
- b) **Ärge olge oma kehaga pöörleva rattaga kohakuti või selle taga.** *Kui ketas liigub töötamise ajal teie kehast eemale, võib potentsiaalne tagasilöök lennutada pöörleva ketta ja elektritööriista otse teie suunas.*
- c) **Kui ketas kinni jääb või kui sellega lõikamine on mingi põhjusel häiritud, lülitage elektritööriist välja ja hoidke seda liikumatuna, kuni ketas täielikult peatub.** *Ärge püüdke eemaldada lõikeketast lõikekohast, kui ketas liigub, kuna see võib põhjustada tagasilöögi. Uurige ja tehke vajalikud toimingud ketta kinnijäämise põhjuse elimineerimiseks.*
- d) **Ärge alustage lõikamist töödeldava detaili sees. Laske kettal täiskiirus saavutada ja alles siis sisestage see uuesti lõikekohta.** *Kui elektritööriist taaskäivitatakse töödeldava detaili sees, võib ketas kinni kiiluda, üles liikuda, tagasi viskuda.*
- e) **Toestage paneelid või mistahes suured töödeldavad detailid, et vähendada ketta kahjustumise ja tagasilöögi ohtu.** *Suured töödeldavad detailid kipuvad oma raskuse all väänduma/murduma. Töödeldava detaili alla lõikejoone ja detaili serva lähedale tuleb panna toed (ketta mõlemale poolele).*
- f) **Olge eriti ettevaatlikud, kui teete nn taskulõikeid seinadesse või muudesse nn pimealadesse.** *Väljaulatuv ketas võib lõigata gaasi- või veetorusid, elektrijuhtmeid või esemeid, mis võib põhjustada tagasilööki.*

Elektriline ohutus

Kasutades elektrilisi masinaid, jälgige alati ohutusnõudeid, mis vastavad teie riigi regulatsioonidega, et vältida tule, elektrilise

šoki ja vigastuste riski. Järgige järgnevaid ning kõrvalolevaid ohutusnõudeid.



Kontrollige alati, et toiteallika pinge vastaks pingele andmesildi sildil olevale.



Klass II masin– Topeltisolatsioon– Pole vaja kasutada ühtki maandatud pistikut.

Kui pole võimalik vältida elektritööriista kasutamist niiskes kohas, siis kasutage rikkevoolukaitsega (RCD) elektritoidet. RCD kasutamine vähendab elektrilöögi ohtu.

2. MASINA ÜLEVAADE

Ettenähtud kasutus

Nurklihvimiseseade on loodud kivi- ja terasmaterjalide lihvimiseks ilma vett kasutamata. Lõikamiseks tuleb kasutada spetsiaalset kaitsekattet (ei kuulu komplekti).

Tehnilised andmed

Mudeli nr	AGM1110P	AGM1112P	AGM1114P
Võrgupinge	220-240 V~		
Võrgusagedus	50/60 Hz		
Sisendvõimsus	710 W		
Tühijooksukiirus	N ₀ 11000/min		

Lihvketas

Diameeter	100 mm	115 mm	125 mm
Ava diameeter	16 mm	22 mm	22 mm
Võlli keere	M10	M14	M14
Kaal	1,98 kg	2 kg	2,05 kg
Helirõhk (L _{PA})	86,4 + 3 dB(A)		
Helivõimsus (L _{WA})	97,4 + 3 dB(A)		
Vibratsioon "Pinna lihvimine" a _{h,AG}	6,334 + 1,5 m/s ²		

Mudeli nr	AGM1111P	AGM1113P	AGM1115P
Võrgupinge	220-240 V~		
Võrgusagedus	50/60 Hz		
Sisendvõimsus	850 W		
Tühijooksukiirus	N ₀ 11000/min		

Lihvketas

Diameeter	100 mm	115 mm	125 mm
Ava diameeter	16 mm	22 mm	22 mm
Võlli keere	M10	M14	M14
Kaal	1,98 kg	2 kg	2,05 kg
Helirõhk (L _{PA})	86,4 + 3 dB(A)		
Helivõimsus (L _{WA})	97,4 + 3 dB(A)		
Vibratsioon "Pinna lihvimine" a _{h,AG}	6,334 + 1,5 m/s ²		

Vibratsioonitase

Käesoleva juhendi tagakaanel nimetatud tekkiva vibratsiooni tase on mõõdetud vastavalt standardis EN 60745 kirjeldatud standarditud testile; seda võib kasutada ühe tööriista võrdlemiseks teise ja vibratsiooni mõju esialgseks hindamiseks märgitud rakenduste jaoks kasutatavate tööriistade käitamisel.

- Tööriista kasutamine muudeks rakendusteks või teiste/halvasti hooldatud tarvikute kasutamisel võib ekspositsioonitase märkimisväärselt suurened.
- Ajal, kui tööriist on väljalülitatud või on küll sisselülitatud, kuid tegelikult seda ei kasutata, võib ekspositsioonitase märkimisväärselt väheneda.

Kaitske ennast vibratsiooni toime eest, hooldades tööriista ja selle tarvikuid, hoides oma käed soojad ja organiseerides hästi oma töövõtteid.

Kirjeldus

Numbrid järgnevas tekstis viitavad numbritele joonistel, mis asuvad lehtedel 2 ja 3.

Joon. A

- Võllilukustusnupp
- Käivituslülit
- Kaitsekate

Joon. B

- Võll
- Paigaldusäärik
- Ketas (ei kuulu komplekti)
- Kinnituskrugi
- Mutrivõti
- Külgakäepide

Osade vahetamine



Enne osade vahetamist lülitage masin alati välja ning eemaldage toitejuhe vooluvõrgust.

Kaitsekatte paigaldamine (joonised A ja B)

Asetage masin lauale nii, et võll (8) on suunatud ülespoole.

- Paigaldage kaitsekate (3) seadme pea kohale, nagu joonisel B näidatud, veendudes, et kaitsekatte ühendusservad asetuvad seadme pea sälkudesse.
- Keerake kaitsekate vastupäeva ja kinnitage kate, pingutades kruvi (14).



Ärge üritage saetera kaitset eemaldada.

Ketta paigaldamine ja eemaldamine (Joonis B)

- Kasutage ainult selle seadme jaoks sobivat ketast, mis on diameetriga (Ø) 100/115/125 mm ja alates 16/22/22 mm avaga. Ketta paksus peaks lihvimisketta puhul olema 6 mm ja löikeketta puhul 3 mm. Paigaldatud ketas ei tohi ohutuskattega kokku puutuda.

Paigaldamine

- Pange seade lauale, nii et kaitsekate (3) oleks suunatud üles.
- Paigaldage äärik (9) spindlile (8).
- Pange ketas (10) spindlile (8).
- Hoidke spindli luku nuppu (1) allavajutatuna ja pingutage kinnitusmutter (11) mutrivõtme (12) abil spindlile.

Eemaldamine

- Pange seade lauale, nii et kaitsekate (3) oleks suunatud üles.
- Hoidke spindli luku nuppu (1) allavajutatuna ja lõdvendage mutrivõtme (12) kinnitusmutter (12).
- Eemaldage ketas (10) spindlilt (8).
- Hoidke spindli luku nuppu (1) allavajutatuna ja pingutage kinnitusmutter (11) mutrivõtme (12) abil.

3. KASUTAMINE



Veenduge, et töödeldav detail on korralikult toestatud või kinnitatud ning paigutage toitejuhe nii, et see jääks tööpiirkonnast eemale.

Sisse- ja väljalülitamine (joon. A)

- Sae sisselülitamiseks vajutage käivituslüliti (2).
- Sae väljalülitamiseks vabastage käivituslüliti (2).

Seadet välja lülitades hoidke seda töödeldavast detailist eemal, kuna ketas võib muidu detaili kahjustada.

- Kinnitage töödeldav detail tugevasti klambriga või kasutage mõnda muud meetodit, tagamaks, et see töötamise ajal ei liigu.
- Kontrollige kettaid regulaarselt. Kulunud kettad pärsivad seadme tõhusust. Vahetage ketas õigeaegselt uue vastu välja.
- Alati lülitage masin välja enne pistiku seinast eemaldamist.

Silumine (joonis C)

Silumisel tagab parima tulemuse kaldenurk vahemikus 30° kuni 40°. Liigutage seadet kergelt survet avaldades tagasi- ja edasisuunas. See takistab töödeldava detaili värvi muutmist või ülekuumenemist ja soonte tekkimist.



Ärge kasutage kunagi silumistöödeks abrasiivseid löikekettaid.

Lõikamine (joonis D)

Lõikamiseks tuleb kasutada spetsiaalset kaitsekate (ei kuulu komplekti). Vibratsiooni vältimiseks säilitage töödeldava detailiga kindel kontakt ning ärge kallutage ega avaldage survet lõikamise ajal. Töötamise ajal avaldage mõõdukalt töödeldava materjali jaoks sobivat survet. Ärge aeglustage kettaid neile küljelt vastusurvet avaldades. Oluline on lõikamissuund. Seade peab alati töötama lõikesuunale vastupidises suunas. Seega ärge pange seadet teistpidi. On oht, et seade kiilub lõikekohta kinni, põhjustades tagasilöögi, mistõttu võite kaotada seadme üle kontrolli.

Näpunäiteid optimaalseks kasutamiseks

- Kinnitage töödeldav detail pitskruvidega. Väiksemate töödeldavate detailide puhul

kasutage kinnitusrakiseid.

- Hoidke masinat mõlema käega.
- Lülitage masin sisse.
- Oodake, kuni masin on saavutanud täiskiruse.
- Asetage lihvketas vastu töödeldavat detaili.
- ihvketast tugevalt vastu töödeldavat detaili surudes liikuge masinaga aeglaselt mööda eelnevalt märgitud joont.
- Ärge avaldage masinale liiga suurt survet. Võimaldage masinal vabalt töötada.
- Lülitage masin välja ning enne selle käestpanekut oodake, kuni see on täielikult seiskunud.

4. HOOLDAMINE

Vooluvõrgupistiku asendamine (ainult ÜK)

Kui seadme 3 tihvtiga pistik on kahjustatud ja vajab väljavahetamist, tuleb kasutatud pistik korrektselt hävitada ja asendada nõuetekohase kaitsmega pistikuga (BS 1363 / 7 A) ning järgima peab järgmisi kaabeldusjuhiseid. Vooluvõrgukaabli juhtmed on eri värvi ja kodeeritud järgmiselt:

- sinine neutraalne
- pruun pinges all

Kuna seadme toitekaabli juhtmete värvid ei pruugi kattuda pistikupesaga klemmide märgiste värvidega, siis toimige järgnevat juhiste järgi.

- Sinist värvi juhe tuleb ühendada tähega N märgistatud või musta värvi klemmiga.
- Pruuni värvi juhe tuleb ühendada tähega L märgistatud või punast värvi klemmiga.



Enne puhastamist ja hooldamist lülitage masin alati välja ning eemaldage toitejuhe vooluvõrgust.

Puhastage masina kesta regulaarselt puhta riidega, soovitatavalt peale iga kasutuskorda. Hoidke ventilatsioonivad puhtad tolmu ja mustusest. Kui mustus ei peaks maha tulema, kasutage puhast riiet, mis on niisutatud seebiveega. Ärge kunagi kasutage lahusteid (bensiin, alkohol, amoniaakveed jne). Need võivad kahjustada plastikosi.

Toitejuhtmete asendamine

Kui toitejuhe on kahjustatud, peab ohu vältimiseks selle välja vahetama tootja, tootja hooldustööde tegija või võrdväärse kvalifikatsiooniga isik.

Sõeharjade kontrollimine ja vahetamine

Kui sõeharjad on kulunud, hakkab saag ebaühtlaselt töötama.

Sõeharjad

Kui sõeharjad on kulunud, peate sõeharjade vahetamiseks pöörduma tootja klienditeeninduse või vastava kvalifikatsiooniga isiku poole.



Kasutage alati ainult selle saega sobivaid sõeharju.

KESKKOND



Vigased ja/või eemaldatud elektroonika või elektroonilised osad tuleks kokku koguda sobivasse ümbertöötlemiskohta.

Euroopa Ühenduse riigid

Ärge visake elektritööriistu olmeprügi hulka. Vastavalt Euroopa Parlamendi ja nõukogu direktiivile 2012/19/EU elektri- ja elektroonikaseadmete jäätmete kohta ning vastavalt seda direktiivi rakendavatele riiklikele õigusaktidele tuleb kasutuskõlbamatud elektritööriistad koguda teistest jäätmetest eraldi ning kõrvaldada kasutusest keskkonnasõbralikul viisil.

GARANTII

Garantiikaardi tingimused võib leida eraldi kaasasolevalt garantiikaardiit.

Toodet ja kasutusjuhendit võidakse muuta.

Spetsifikatsioone võidakse muuta ilma eelneva etteteatamiseta.

POLIZOR UNGHIULAR

AGM1110P 710W 100mm

AGM1111P 850W 100mm

AGM1112P 710W 115mm

AGM1113P 850W 115mm

AGM1114P 710W 125mm

AGM1115P 850W 125mm

Vă mulțumim că ați achiziționat acest produs Ferm. Procedând astfel, aveți acum un produs excelent, livrat de unul din cei mai importanți furnizori din Europe. Toate produsele livrate de Ferm sunt fabricate respectând cele mai înalte standarde de performanță și siguranță. De asemenea, ca parte a filosofiei noastre, asigurăm servicii de asistență excelente și o garanție cuprinzătoare. Sperăm să utilizați cu plăcere acest produs în anii ce urmează.

1. INSTRUCȚIUNI DE SIGURANȚĂ



AVERTIZARE

Citiți avertizările de siguranță, avertizările de siguranță suplimentare și instrucțiunile. Nerespectarea avertizărilor de siguranță poate cauza producerea de electrocutări, incendii și/sau răniri grave. **Păstrați avertizările de siguranță și instrucțiunile pentru referințe viitoare.**

În manualul de utilizare sau pe produs se utilizează următoarele simboluri:



Citiți manualul de utilizare.



Indică riscul de rănire personală, pierderea vieții sau deteriorarea sculei în cazul în care nu se respectă instrucțiunile din acest manual.



Pericol de electrocutare



Îndepărtați imediat fișa de la priza de rețea în cazul în care cablul de alimentare se deteriorează în timpul procedurilor de curățare și de întreținere.



Pericol de obiecte zburătoare. Nu permiteți accesul altor persoane în zona de lucru.



Întotdeauna purtați protecție pentru ochi! Purtați protecții antifonice.



Purtați mănuși de protecție.



Nu apăsați butonul de blocare a axului în timp ce motorul este în funcțiune.



Pericol de incendiu.



Nu scoateți din uz produsul în containere neadecvate.



Produsul este în conformitate cu standardele de siguranță aplicabile din directivele europene.

Avertizări de siguranță specifice operațiunilor de șlefuire sau tăiere abrazivă:

- Această sculă este destinată să funcționeze ca o sculă de șlefuit. Citiți toate avertizările de siguranță, instrucțiunile, ilustrațiile și specificațiile furnizate împreună cu această sculă electrică.** Nerespectarea tuturor instrucțiunilor enumerate mai jos poate cauza producerea de electrocutări, incendii și/sau răniri grave.
- Nu se recomandă utilizarea acestei scule electrice pentru operațiuni precum șlefuirea, perierea, lustruirea.** Operațiile pentru care nu este destinată scula electrică pot crea pericole și pot cauza răniri personale.
- Nu utilizați accesorii care nu sunt special concepuți și recomandați de producătorul mașinii.** Doar pentru că un accesoriu poate fi atașat de scula electrică, acest lucru nu asigură funcționarea în siguranță.
- Viteza nominală a accesoriului trebuie să fie cel puțin egală cu viteza maximă marcată pe scula electrică.** Accesoriile care funcționează mai rapid decât viteza lor nominală se pot rupe sau se pot desprinde.
- Diametrul exterior și grosimea accesoriului dumneavoastră trebuie să se înscrie în capacitatea nominală a sculei electrice.** Accesoriile incorect dimensionate nu pot fi protejate sau controlate în mod adecvat.

- f) **Montajul filetat al accesoriilor trebuie să corespundă cu filetul axului mașinii de șlefuit.** În cazul accesoriilor montat cu flanșe, orificiul axului accesoriului trebuie să se potrivească cu diametrul localizat al flanșei. *Accesoriile care nu se potrivesc cu componentele de montaj ale sculei electrice se vor dezchilibra, vor vibra excesiv și pot cauza pierderea controlului.*
- g) **Nu utilizați accesorii deteriorate.** Înainte de fiecare utilizare, inspectați accesoriul, cum ar fi discurile abrazive pentru fisuri și crăpături, tamponul de amortizare pentru crăpături, rupturi sau uzură excesivă, peria de sârmă pentru fire desprinse sau rupte. În cazul în care scăpați scula electrică sau accesoriile, inspectați dacă există daune sau instalați un accesoriu nedeteriorat. **După inspectarea și instalarea unui accesoriu, dumneavoastră și celelalte persoane stați departe de locul accesoriului de rotație și operați scula electrică la o viteză maximă fără sarcină, timp de un minut.** *De cele mai multe ori, accesoriile deteriorate se rup în această perioadă de probă.*
- h) **Purtați echipament personal de protecție.** În funcție de utilizare, purtați o protecție completă a feței, protecție pentru ochi sau ochelari de protecție. **Dacă este cazul, purtați o mască antipraf, protecții antifonice, mănuși și șort de protecție care să vă ferească de micile așchii sau particule de material.** Ochiul trebuie protejat de corpurile străine aflate în zbor, apărute în cursul diferitelor aplicații. Maska antipraf sau masca de protecție respiratorie trebuie să poată filtra particulele generate de operația pe care o efectuați. Expunerea prelungită la zgomotul de intensitate ridicată poate cauza pierderea auzului.
- i) **Nu permiteți persoanelor să se apropie de zona de lucru. Oricine pătrunde în sectorul de lucru trebuie să poarte echipament personal de protecție.** Fragmente din piesa de prelucrare sau din dispozitivele rupte pot zbura necontrolat și provoca răniri chiar în afara sectorului direct de lucru.
- j) **Țineți scula numai de suprafețele de prindere izolate atunci când efectuați o operație în care accesoriul de tăiere ar putea atinge cablaje ascunse sau cablul de alimentare.** *Dacă accesoriul atinge un cablu „sub tensiune”, și părțile metalice expuse ale sculei electrice se vor afla „sub tensiune”, ceea ce poate provoca electrocutarea operatorului.*
- k) **Țineți cablul de alimentare departe de accesoriile care se rotesc.** *Dacă pierdeți controlul asupra mașinii, cablul de alimentare poate fi tăiat sau prins iar mâna sau brațul dumneavoastră poate nimeri sub accesoriul care se rotește.*
- l) **Nu puneți niciodată jos scula electrică înainte ca accesoriul să se fi oprit complet.** *Accesoriul rotativ poate ajunge în contact cu suprafața de sprijin, fapt care vă poate face să pierdeți controlul asupra sculei electrice.*
- m) **Nu lăsați scula electrică să funcționeze în timp ce o transportați.** În urma unui contact accidental cu accesoriul rotativ, acesta vă poate prinde îmbrăcămintea și chiar pătrunde în corpul dumneavoastră.
- n) **Curățați regulat fanțele de aerisire ale sculei dumneavoastră electrice.** *Ventilatorul motorului va atrage praful în interiorul carcasei, iar acumularea excesivă de pulbere metalică poate cauza pericole electrice.*
- o) **Nu operați scula electrică în apropierea materialelor inflamabile.** *Scântelele pot duce la aprinderea acestor materiale.*
- p) **Nu utilizați accesorii care necesită agenți de răcire lichizi.** *Utilizarea apei sau a altor agenți de răcire lichizi poate cauza electrocutare sau șoc electric.*

Recul și avertizări corespunzătoare

Recul reprezintă o reacție bruscă la un disc rotativ îndoit sau blocat, tamponul de amortizare, peria sau orice alt accesoriu. Îndoirea sau blocarea duce la oprirea rapidă a accesoriului rotativ care la rândul lui, face ca scula electrică necontrolată să fie accelerată în punctul de blocare, în sens contrar direcției de rotație a accesoriului. Dacă, de exemplu, un disc de șlefuit se agață sau se blochează în piesa de prelucrare, marginea discului de șlefuit care penetrează direct piesa de prelucrare se poate agața în aceasta și duce astfel la smulgerea discului de șlefuit sau poate provoca reculul. Discul se va deplasa către operator sau în sens opus acestuia, în funcție de direcția de rotație a discului în punctul de blocare. În această situație discurile de șlefuit se pot chiar rupe. Reculul este rezultatul utilizării incorecte a mașinii

și/sau al procedurilor sau al condițiilor incorecte de funcționare, care pot fi evitate urmând măsurile de precauție adecvate, după cum este indicat mai jos.

- a) Țineți bine scula electrică și aduceți-vă corpul și brațele într-o poziție în care să puteți controla forțele de recul. **Utilizați întotdeauna un mâner auxiliar, în caz că acesta există, pentru a avea un control maxim asupra forțelor de recul sau a momentelor de reacție la turații înalte.** Operatorul poate stăpâni forțele de recul și de reacție prin măsuri preventive adecvate.
- b) **Nu apropiați niciodată mâna de accesoriile aflate în mișcare de rotație.** *Accesorii se poate deplasa peste mâna dumneavoastră.*
- c) **Evitați să staționați cu corpul în zona de mișcare a sculei electrice în caz de recul.** Reculul proiectează scula electrică într-o direcție opusă mișcării discului de șlefuit din punctul de blocare.
- d) **Lucrați extrem de atent în zona colțurilor, muchiilor ascuțite, etc. Împiedicați ricoșarea și blocarea accesoriului.** *Accesorii aflate în mișcare de rotație are tendința să se blocheze în colțuri, pe muchii ascuțite sau când ricoșează în urma izbirii, determinând astfel pierderea controlului sau reculul.*
- e) **Nu folosiți pânze de ferăstrău pentru lemn sau pânze dințate.** *Asemenea dispozitive de lucru provoacă frecvent recul sau duc la pierderea controlului.*

Avertizări de siguranță specifice operațiunilor de șlefuire și tăiere abrazivă:

- a) **Folosiți numai discuri abrazive admise pentru scula dumneavoastră electrică și o apărătoare de protecție prevăzută pentru aceste discuri abrazive.** *Discurile abrazive care nu sunt prevăzute pentru această sculă electrică nu pot fi acoperite și protejate suficient, fiind nesigure.*
- b) **Suprafața de polizare a discurilor apăstate în centru trebuie să fie montată sub planul marginii apărătoarei.** *Un disc montat necorespunzător care iese prin planul marginii apărătoarei nu poate fi protejat în mod adecvat.*
- c) **Apărătoarea de protecție trebuie fixată sigur pe scula electrică și astfel ajustată**

încât să atingă un grad maxim de siguranță în exploatare, adică numai o porțiune extrem de mică a discului să rămână descoperită în partea dinspre operator.

Apărătoarea de protecție trebuie să protejeze operatorul de fragmentele desprinse prin șlefuire, de atingerea accidentală a discului și de scânteele care pot aprinde îmbrăcămintea.

- d) **Discurile abrazive trebuie folosite numai pentru aplicațiile recomandate. De exemplu: nu șlefuiți cu partea laterală a unui disc de tăiere.** *Discurile de tăiere sunt destinate îndepărtării de material cu marginea discului, întrucât exercitarea forțelor laterale asupra discurilor poate duce la ruperea lor.*
- e) **Folosiți întotdeauna flanșe de prindere nedeteriorate având dimensiuni și forme corespunzătoare discului ales de dumneavoastră.** *Flanșele adecvate sprijină discul de șlefuit diminuând astfel pericolul ruperii acestuia. Flanșele pentru discuri de tăiere pot fi diferite față de flanșele pentru discuri de șlefuit.*
- f) **Nu utilizați discuri de șlefuit uzate provenind de la scule electrice mai mari.** *Discurile de șlefuit pentru sculele electrice mai mari nu sunt concepute pentru turațiile mai ridicate ale sculelor electrice mai mici și se pot rupe.*

Avertizări de siguranță suplimentare specifice operațiunilor de șlefuire și tăiere abrazivă:



Operațiile de tăiere pot fi desfășurate numai cu un dispozitiv special de protecție deschis (neinclus).

- a) **Evitați „blocarea” discului de tăiere sau o apăsare prea puternică. Nu executați tăieri exagerat de adânci.** *O supraîncărcare a discului de tăiere mărește solicitarea acestuia și tendința sa de a se răsuci în piesa de prelucrare sau de a se bloca, apărând astfel posibilitatea unui recul sau a ruperii discului.*
- b) **Evitați să staționați cu corpul în zona din față și din spatele discului de tăiere care se rotește.** *Dacă, în timpul operării, deplasați discul de tăiere în direcție opusă dumneavoastră, în caz de recul, scula electrică împreună cu discul care se rotește pot fi proiectate direct spre dumneavoastră.*

- c) **Dacă discul de tăiere se blochează sau dacă întrerupeți lucrul, deconectați scula electrică și nu o mișcați până când discul se oprește complet. Nu încercați niciodată să extrageți discul de tăiere din tăietură în timp ce discul este în mișcare, altfel se poate produce un recul. Investigați și luați măsuri adecvate pentru a îndepărta cauza blocării discului.**
- d) **Nu reluați niciodată operația de tăiere cât timp scula se mai află încă în piesa de prelucrare. Lăsați discul de tăiere să atingă turația maximă și numai după aceea continuați să tăiați cu precauție. Dacă reporniți scula electrică în piesa de prelucrare, discul se poate bloca, sări afară sau provoca recul.**
- e) **Sprîjiniți plăcile sau piesele de prelucrare mari pentru a diminua riscul de agățare sau de recul a discului. Piesele mari se pot încovoia sub propria greutate. Piesele de sprîjin trebuie poziționate sub piesa de prelucrare, atât în apropierea liniei de tăiere cât și în apropierea marginii, pe ambele laturi ale discului.**
- f) **Fiți extrem de atenți în cazul „tăierii de cavitate” în pereți deja existenți sau în alte sectoare fără vizibilitate. La penetrarea în sectorul vizat, discul de tăiere poate cauza recul dacă nimereste în conducte de gaz sau de apă, conductori electrici sau alte obiecte.**

Instrucțiuni de siguranță privind alimentarea electrică

Atunci când folosiți mașini electrice, respectați întotdeauna reglementările de siguranță aplicabile în țara dumneavoastră, pentru a reduce riscul de incendii, electrocutare și rănire personală. Citiți următoarele instrucțiuni de siguranță și, de asemenea, instrucțiunile de siguranță atașate.



Verificați întotdeauna dacă tensiunea rețelei electrice de alimentare tensiunii de pe plăcuța indicatoare a caracteristicilor tehnice.



Mașină clasa II - Izolație dublă - Nu aveți nevoie de nicio priză de împământare.

În cazul în care este necesară operarea sculei electrice într-o locație cu umiditate, folosiți un dispozitiv de curent rezidual (RCD) cu alimentare protejată. Utilizarea unui RCD reduce riscul de electrocutare.

2. INFORMAȚII CU PRIVIRE LA MAȘINA

Domeniul de utilizare

Polizorul unghiular a fost proiectat pentru debavurarea zidăriei și a oțelului, fără a se utiliza apă. Pentru tăiere, folosiți o apărătoare de protecție specială (neinclusă).

Specificații tehnice

Nr. model	AGM1110P	AGM1112P	AGM1114P
Tensiune rețea	220-240 V~		
Frecvența prizei	50/60 Hz		
Puterea de alimentare	710 W		
Viteza nominală	N ₀ 11.000/min		
Disc pentru șlefuit			
Diametru	100 mm	115 mm	125 mm
Alezaj	16 mm	22 mm	22 mm
Spindle thread	M10	M14	M14
Filetul axului	1.98 kg	2 kg	2.05 kg
Presiune sonoră (L _{PR})	86.4 + 3 dB(A)		
Putere acustică (L _{WA})	97.4 + 3 dB(A)		
Vibrație "Șlefuirea suprafeței" a _{h,AG}	6.334 + 1.5 m/s ²		

Nr. model	AGM1111P	AGM1113P	AGM1115P
Tensiune rețea	220-240 V~		
Frecvența prizei	50/60 Hz		
Puterea de alimentare	850 W		
Viteza nominală	N ₀ 11.000/min		
Disc pentru șlefuit			
Diametru	100 mm	115 mm	125 mm
Alezaj	16 mm	22 mm	22 mm
Spindle thread	M10	M14	M14

Filetul axului	1.98 kg	2 kg	2.05 kg
Presiune sonoră (L_{pA})	86.4 + 3 dB(A)		
Putere acustică (L_{WA})	97.4 + 3 dB(A)		
Vibrație "Șlefuirea suprafeței" $a_{h,AG}$	6.334 + 1.5 m/s ²		

Nivelul vibrațiilor

Nivelul emisiilor de vibrații menționat în acest manual de instrucțiuni a fost măsurat în conformitate cu un test standardizat precizat în EN 60745; poate fi folosit pentru a compara o sculă cu alta și ca evaluare preliminară a expunerii la vibrații atunci când folosiți scula pentru aplicațiile menționate

- utilizarea sculei pentru aplicații diferite sau cu accesorii diferite și prost întreținute, poate crește semnificativ nivelul de expunere
- momentele în care scula este oprită sau când funcționează dar nu execută nicio lucrare, pot reduce semnificativ nivelul de expunere

Protejați-vă împotriva efectelor vibrațiilor prin întreținerea sculei și a accesoriilor sale, păstrând mâinile calde și organizând procesele de lucru.

Descriere

Numerele din text se referă la diagramele de la paginile 2-3

Fig. A

1. Buton de blocare ax
2. Comutator pornire/oprire
3. Apărătoare de protecție

Fig. B

8. Ax
9. Flanșă de montare
10. Disc (neinclus)
11. Piuliță de strângere
12. Cheie de piuliță
13. Mâner lateral

Asamblarea



Înainte de asamblare, opriți alimentarea electrică a mașinii și deconectați fișa cablului de alimentare de la priza de rețea.

Asamblarea apărătorii de protecție (fig. A și B)

- Amplasați mașina pe o masă cu axul (8) în sus.
- Amplasați apărătoare de protecție (3) peste

capătul mașinii, așa cum este indicat în Figura B și asigurați-vă că muchiile de la apărătoarea de protecție se potrivesc în canelurile de la capătul mașinii.

- Rotiți apărătoarea de protecție în sens antiorar după cum.



Nu utilizați niciodată mașina fără apărătoare.

Montarea și îndepărtarea discului (fig. B)

- Întotdeauna utilizați discuri adecvate pentru mașină cu diametrul de Ø100mm / Ø115mm / Ø125mm pentru și cu un alezaj de la 16 / 22 / 22 mm în cazul discurilor trebuie să fie de 6 mm în cazul discurilor pentru șlefuire și 3 mm în cazul discurilor pentru tăiere, discul de montare nu trebuie să atingă apărătoarea de siguranță.

Montarea

- Amplasați mașina pe o masă cu apărătoarea de protecție (3) în sus.
- Montați flanșa (9) pe ax (8).
- Amplasați discul (10) pe ax (8).
- Țineți apăsat butonul de blocare a axului (1) și strângeți bine piulița de fixare (11) pe ax (8) folosind cheia de piuliță (12).

Îndepărtarea

- Amplasați mașina pe o masă cu apărătoarea de protecție (3) în sus.
- Țineți apăsat butonul de blocare a axului (1) și slăbiți piulița de fixare (11) folosind cheia de piuliță (12).
- Îndepărtați discul (10) de pe ax (8).
- Țineți apăsat butonul de blocare a axului (1) și strângeți bine piulița de fixare (11) folosind cheia de piuliță (12).

3. UTILIZARE



Asigurați-vă că piesa de prelucrare este sprijinită sau fixată corespunzător și țineți cablu de alimentare departe de zona de lucru.

Pornirea și oprirea (fig. A)

- Pentru a porni mașina apăsați comutatorul de pornire/oprire (2).
- Pentru a opri mașina, eliberați comutatorul de

pornire/oprire (2).

Țineți mașina la distanță de piesa de prelucrare atunci când o porniți și o opriți, deoarece discul ar putea deteriora piesa de prelucrare.

- Prindeți bine piesa de prelucrare sau folosiți o altă metodă pentru a vă asigura că nu se mișcă în timpul funcționării.
- Verificați cu regularitate discurile. Discurile uzate afectează negativ eficiența mașinii. Înlocuiți cu un disc nou în timp util.
- Înainte de a scoate ștecherul din priză, opriți întotdeauna mașina după utilizare.

Debavurarea (fig. C)

Când efectuați operația de debavurare, veți obține cele mai bune rezultate la un unghi de înclinare cuprins între 30° și 40°. Mișcați mașina înainte și înapoi, folosind o presiune ușoară. Acest lucru va preveni decolorarea și încălzirea piesei de prelucrare, evitându-se formarea de caneluri.



Pentru lucrările de debavurare, nu utilizați niciodată discuri de tăiere abrazivă!

Tăierea (fig. D)

Pentru tăiere, folosiți o apărătoare de protecție specială (neinclusă).

Țineți cu fermitate piesa de prelucrare pentru a preveni apariția vibrației și nu înclinați sau nu aplicați presiune în timpul tăierii. Când operați, folosiți presiune moderată adecvată materialului pe care lucrați. Nu încetiniți discurile aplicând contrapresiune laterală. Direcția în care doriți să tăiați este importantă. Mașina trebuie să opereze întotdeauna în direcția tăierii; așadar nu deplasați niciodată mașina în cealaltă direcție! Există riscul ca mașina să se blocheze în tăietură, cauzând recul care vă va determina să pierdeți controlul.

Sfaturi pentru utilizarea optimă

- Fixați piesa de prelucrat. Utilizați un dispozitiv de fixare pentru piese de prelucrat mici.
- Țineți mașina cu ambele mâini.
- Porniți mașina.
- Așteptați până când mașina atinge turația maximă.
- Așezați discul pe piesa de prelucrat.
- Deplasați încet mașina de-a lungul piesei de prelucrat, apăsând ferm discul abraziv pe piesa de prelucrat.
- Nu aplicați o presiune excesivă asupra mașinii. Lăsați mașina să execute operația.

- Opriți mașina și așteptați oprirea completă a mașinii înainte de a așeza mașina.

4. ÎNTREȚINERE

Înlocuirea fișei de la priza de rețea (valabil numai pentru Marea Britanie)

Dacă fișa cu 3 contacte atașată de unitate este deteriorată și trebuie înlocuită, este important să fie eliminată corespunzător și înlocuită cu o siguranță fuzibilă aprobată BS 1363/13A, respectând următoarele instrucțiuni de legare la rețea. Firele cablului de rețea au culorile în conformitate cu următorul cod:

- albastru neutru
- maro sub tensiune

În cazul în care culorile firelor de la cablul de rețea al unității nu corespunde cu marcasele colorate care identifică terminalele ștecherului, procedați după cum urmează:

- Firul albastru trebuie conectat la terminalul care este marcat cu litera N sau are culoarea neagră.
- Firul maro trebuie conectat la terminalul care este marcat cu litera L sau are culoarea roșie.



Înainte de curățare și întreținere, opriți alimentarea electrică a mașinii și deconectați fișa cablului de alimentare de la priza de rețea.

Curățați regulat carcasa cu o cârpă moale, de preferat după fiecare utilizare. Curățați fantele de aerisire de praf și murdărie. Îndepărtați murdăria persistentă cu o cârpă moale înmuiată în clăbuci de săpun. Nu folosiți solvenți precum benzină, alcool, amoniac, etc. Astfel de substanțe chimice vor deteriora componentele sintetice.

Înlocuirea cablurilor de alimentare

În cazul în care cablul de alimentare este deteriorat, acesta trebuie înlocuit de către producător, de către agentul de service sau de către persoane calificate în mod similar, pentru a evita pericolele.

Верификация и вмяна на перилите на въглища

Ако перилите на въглища са износени, те трябва да бъдат сменени от компетентен персонал на служба за клиенти на производителя или от компетентно лице на друго лице.



Използвайте само оригиналния тип перил на въглища.

МЕДИУ



Електрическите или електронните уреди, които са повредени и/или са с дефекти, трябва да бъдат събрани в колекционирани за рециклиране съоръжения.

Номери на страните от ЕС

Не изхвърляйте електрическите уреди заедно с битовите отпадъци. Съгласно европейските стандарти 2012/19/EU за електрически и електронни уреди и за внедряването им на национално ниво, електрическите уреди за електрическо захранване трябва да бъдат събрани отделно и изхвърляни по екологичен начин.

ГАРАНТИЕ

Условията на гаранцията могат да бъдат намерени в сертификата на гаранцията, включен отделно.

Производителят и ръководството могат да бъдат повредени. Спецификациите могат да бъдат променени без предварително уведомление.

ГРИЖИ ЗА УРИВА

AGM1110P 710W 100mm

AGM1111P 850W 100mm

AGM1112P 710W 115mm

AGM1113P 850W 115mm

AGM1114P 710W 125mm

AGM1115P 850W 125mm

Благодарим ви, че купихте този продукт от Ferm. По този начин вече разполагате с отличен продукт, доставен от един от водещите европейски доставчици. Всички продукти, доставяни от Вас на Ferm, са произведени според най-високите стандарти за безопасност и сигурност. Като част от нашата философия ние предлагаме и отлично обслужване на клиентите, подкрепено от нашата изчерпателна гаранция. Надяваме се, че ще се радвате да използвате този продукт в продължение на много години напред.

1. ИНСТРУКЦИИ ЗА БЕЗОПАСНОСТ



Прочетете приложените предупреждения за безопасност, допълнителните предупреждения за безопасност и инструкциите. Неспазването на предупрежденията за безопасност и инструкциите може да доведе до токов удар, пожар и / или сериозно нараняване. **Запазете предупрежденията за безопасност и инструкциите за бъдещи справки.**

Следните символи се използват в ръководството за потребителя или върху него:



Прочетете ръководството за потребителя.



Обозначава риск от нараняване, загуба на живот или повреда на инструмента в случай на неспазване на указанията в това ръководство.



Риск от токов удар



Незабавно извадете щепсела от мрежата, ако кабелът на мрежата се повреди, по време на почистване и поддръжка.



Риск от летящи предмети. Пазете минувачите от работната зона.



*Винаги носете очила!
Носете защита от слуха.*



Носете предпазни ръкавици.



Не натискайте бутона за заключване на шпиндела, докато двигателят работи.



Опасност от пожар.



Не изхвърляйте продукта в неподходящи контейнери.



Продуктът е в съответствие с приложимите стандарти за безопасност в европейските директиви.

Предупреждения за безопасност, често срещани при операции по раздробяване или абразивно рязане:

- a) Този електрически инструмент е предназначен да функционира като инструмент за смилане. Прочетете всички предупреждения за безопасност, инструкции, илюстрации и спецификации, предоставени с това електроинструмент. Неспазването на всички изброени по-долу указания може да доведе до токов удар, пожар и / или сериозно нараняване.
- b) **Не се препоръчва да се извършват операции като шлайфане, четкане на тел, полиране с този електрически инструмент.** Операциите, за които електроинструментът не е проектиран, могат да създадат опасност и да причинят нараняване.
- c) **Не използвайте аксесоари, които не са специално проектирани и препоръчани от производителя на инструмента.** Само защото аксесоарът може да бъде прикрепен към вашето електроинструмент, той не гарантира безопасна работа.
- d) **Номиналната скорост на аксесоара трябва да бъде най-малко равна на максималната скорост, маркирана на електроинструмента.** Аксесоари, работещи по-бързо от номиналната им скорост.
- e) **Външният диаметър и дебелината на вашия аксесоар трябва да са в рамките на капацитета на вашия електроинструмент.** Неправилно приспособените аксесоари не могат да бъдат адекватно охранявани или контролирани.
- f) **Монтажът с резба на принадлежностите трябва да съвпада с резбата на шпиндела.** За аксесоарите, монтирани от фланци, отворът на арматурата на аксесоара трябва да съответства на диаметъра за разполагане на фланеца. Аксесоари, които не съвпадат с монтажния хардуер на електроинструмента, ще излязат от равновесие, ще вибрират прекомерно и може да причинят загуба на контрол.
- g) **Не използвайте повреден аксесоар.** Преди всяка употреба проверете аксесоарите като абразивни колела за чипове и пукнатини, подложка за пукнатини, разкъсване или излишно износване, телена четка за насипни или напукани проводници. Ако изтече електрически инструмент или аксесоар, проверете за повреда или инсталирайте невредим аксесоар. След като проверите и инсталирате аксесоара, поставете себе си и минувачите далеч от равнината на въртящия се аксесоар и управлявайте електроинструмента при максимална скорост на зареждане за една минута. Повредените аксесоари обикновено се разпадат по време на това време за тестване.
- h) **Носете лични предпазни средства.** В зависимост от приложението, използвайте предпазна маска, предпазни очила или предпазни очила. Ако е уместно, носете прахова маска, предпазни средства за защита на слуха, ръкавици и работна престилка, способни

да спрат малки абразивни или парчета от детайли. Ащитата на очите трябва да е в състояние да спира летящите отломки, генерирани от различни операции. Праховата маска или респиратор трябва да могат да филтрират частици, генерирани от работата ви. Продължителното излагане на шум с висок интензитет може да доведе до загуба на слуха.

- i) **Пазете минувачите на безопасно разстояние от работната зона. Всеки, който влиза в работната зона, трябва да носи лични предпазни средства.** Фрагменти от детайл или от счупено приспособление могат да излетят и да причинят наранявания извън непосредствената зона на действие.
- j) **Дръжте електроинструмента само от изолирани захващащи повърхности, когато извършвате операция, при която аксесоарът за рязане може да се свърже със скрити кабели или със собствен кабел.** Нарязването на аксесоарите в контакт с "жичен" проводник може да направи "метални" части на електроинструмента "живи" и да причини токов удар на оператора.
- k) **Поставете кабела извън аксесоара за въртене.** Ако загубите контрол, кабелът може да бъде изрязан или закотвен, а ръката или ръката ви могат да бъдат изтеглени в аксесоара за въртене.
- l) **Никога не поставяйте електроинструмента надолу, докато аксесоарът не спре напълно.** Аксесоарът за въртене може да хване повърхността и да издърпа електроинструмента от вашето управление.
- m) **Не работете с електроинструмента, докато го носите настрани.** Случайният контакт с въртящия се аксесоар може да улучи дрехите ви и да изтегли аксесоара в тялото си.
- n) **Редовно почиствайте вентилационните отвори на електроинструмента.** Вентилаторът на двигателя ще изтегли праха вътре в корпуса и прекомерното натрупване на прахообразен метал може да причини електрически опасности.
- o) **Не работете с електроинструмента в близост до запалими материали.** Искри могат да възпламят тези материали.

- p) **Не използвайте аксесоари, които изискват течни охлаждащи течности.** Използването на вода или други охлаждащи течности може да доведе до електрически удар или шок.

Възмездие и свързани предупреждения

Отблъскването е внезапна реакция към захваната ротационна колело, подложката, четката или друг аксесоар. Притискането или закопчаването предизвикват бързо затихване на въртящия се аксесоар, което от своя страна причинява неконтролируемото електроинструмент да бъде принуден в посоката, обратна на въртенето на аксесоара в точката на свързване.

Например, ако абразивното колело е захваната ил и захваната от детайла, ръбът на колелото, който навлиза в точката на захващане, може да се вкопчи в повърхността на материала, което кара колелото да се изкачи или изрита. Колелото може или да скочи към или далеч от оператора, в зависимост от посоката на движението на колелото в точката на притискане.

Абразивните колела също могат да се счупят при тези условия. Възстановяването е резултат от злоупотреба с електрически инструмент и / или неправилни операционни процедури или условия и може да бъде избегнато, като се вземат необходимите предпазни мерки, както е посочено по-долу.

- a) **Поддържайте здраво ръкохватката на електроинструмента и позиционирайте тялото и ръката си, за да ви позволи да устоите на силите на кокал.** Винаги използвайте допълнителна ръкохватка, ако е предвидена, за максимално управление на отскока или реакцията на въртящия момент при стартиране. Операторът може да контролира реакциите на въртящия момент или силите за коригиране, ако се вземат подходящи предпазни мерки.
- b) **Никога не поставяйте ръката си в близост до въртящия се аксесоар.** Аксесоарът може да отскочи върху ръката ви.
- c) **Не поставяйте тялото си в областта, където ще се движи електроинструментът,**

ако възникне възстановяването.

Копирането ще задвижва инструмента в посока, противоположна на движението на колелото в точката на захващане.

- d) **Използвайте специални грижи при работа с ъгли, остри ръбове и др.**
Избягвайте подскачането и залепването на аксесоара. Ъглите, острите ръбове или подскачането има т склонност да удрят въртящия се аксесоар и да причинят загуба на контрол или отскачане.
- e) **Не поставяйте дърворезба или режещ диск.** *Такива остриета създават чести удари и загуба на контрол.*

Специални предупреждения за безопасност при шлифовъчни и абразивни операции по срязване:

- a) **Използвайте само типовете колела, които се препоръчват за вашето електроинструмент и специфичния предпазител, предназначен за избраното колело.** *Колелите, за които електроинструментът не е проектиран, не могат да бъдат адекватно охранявани и не са безопасни.*
- b) **Повърхността за шлайфане на центробежни колела трябва да се монтира под равнината на предпазната устна.** *Неправилно монтираното колело, което излиза през равнината на предпазната устна, не може да бъде адекватно защитено.*
- c) **Предпазителят трябва да е здраво закрепен към електроинструмента и да е позициониран за максимална сигурност, така че най-малкото колело да е изложено на оператора.** *Предпазителят помага да се предпази операторът от счупени фрагменти от колелата, случайния контакт с колелото и искри, които могат да възпламенят дрехите.*
- d) **Колелите трябва да се използват само за препоръчителни приложения.** *Например: не се смилайте със страната на прекъсвача. Абразивните разделителни колела са предназначени за периферно смилане, страничните сили, приложени върху тези колела, могат да ги разбият.*
- e) **Винаги използвайте неподправени фланци на колелата, които са с правилен размер и форма за избраното колело.**

Правилните фланцови колела поддържат колелото, като по този начин намаляват възможността за счупване на колелото. Фланците за прекъсвачите колела могат да бъдат различни от фланците за шлайфане на колела.

- f) **Не използвайте износени колела от по-големи електрически инструменти.** *Колелото, предназначено за по-големи електрически инструменти, не е подходящо за по-висока скорост на по-малък инструмент и може да се сплука.*

Допълнителни предупреждения за безопасност, специфични за абразивните операции за срязване:



Операциите за изключване са подходящи само със специална защитна защита (не е включена в комплекта)

- a) **Не “заглушавайте” колелото за срязване или не натискайте прекалено силно. Не се опитвайте да направите прекомерна дълбочина на рязане.** *Претоварването на колелото увеличава натоварването и чувствителността към завъртане или свързване на колелото в рязане и възможността за възвръщане или счупване на колелото.*
- b) **Не поставяйте тялото си в линия с и за ротационното колело.** *Когато колелото, в точката на действие, се отдалечава от тялото ви, възможно възвръщане може да задвижва въртящото се колело и електроинструмента директно към вас.*
- c) **Когато колелото свързва или прекъсва срязване по някаква причина, изключете електроинструмента и задръжте електроинструмента неподвижно, докато колелото спре напълно. Никога не се опитвайте да сваляте отрязаното колело от рязането, докато колелото е в движение, в противен случай може да възникне въздъхване.** *Проучете и предприемете коригиращи действия, за да премахнете причината за свързването на колелата.*
- d) **Не рестартирайте операцията по рязане в детайла.** *Нека колелото достигне пълна*

скорост и внимателно да влезе отново в рязането. олелото може да се свърже, да се е`движи нагоре или да се повдига, ако електрическият инструмент се рестартира в детайла.

- е) **Поддържайте панели или всякакви извънгабаритни детайли, за да сведете до минимум риска от захващане на колелата и отскок.** олемите заготовки имат тенденция `да се изплъзват под собственото си тегло. порите трябва да се поставят под детайла` близо до линията на рязане и близо до края на детайла от двете страни на колелото.
- ф) **Използвайте особено внимание, когато правите “изрязване на джоб” в съществуващи стени или други слепи зони.** Изпъкналото колело може да счупи газови или водопроводни тръби, електрическото окабеляване или предмети, които могат да причинят обрат.

Електрическа безопасност

При използване на електрически машини винаги спазвайте правилата за безопасност, валидни във вашата страна, за да намалите риска от пожар, токов удар и телесни повреди. Прочетете следният е инструкции за безопасност, както и приложените инструкции за безопасност.



Винаги проверявайте дали напрежението на захранването съответства на напрежението на етикета на табелката с данни.



Машина клас II - Двойна изолация - Нямаме нужда от заземен щекер.

Ако е невъзможно да използвате електрически инструмент на влажно място, използвайте защитено захранване с устройство за остатъчен ток (RCD). Използването на RCD намалява риска от токов удар.

2. ИНФОРМАЦИЯ ЗА МАШИНИ

Предназначение

Вашият ъглошлайф е предназначен за шлайфане на зидария и стоманени материали без използване на вода. За рязане трябва да се използва специална защитна охрана (не е включена в комплекта)

Технически спецификации

Модел №	AGM1110P	AGM1112P	AGM1114P
Захранващо напрежение	220-240 V~		
Честота на мрежата	50/60 Hz		
Вход за захранване	710 W		
Измерена скорост	N ₀ 11.000/min		
Дискови колела за шлайфане			
Диаметър	100 mm	115 mm	125 mm
Досадник	16 mm	22 mm	22 mm
Връзка на шпиндела	M10	M14	M14
Тегло	1.98 kg	2 kg	2.05 kg
Звуково налягане (L _{рн})	86.4 + 3 dB(A)		
Акустична мощност (L _{вн})	97.4 + 3 dB(A)		
Вибрация “Повърхностно шлайфане” a _{н,AG}	6.334 + 1.5 m/s ²		

Модел №	AGM1111P	AGM1113P	AGM1115P
Захранващо напрежение	220-240 V~		
Честота на мрежата	50/60 Hz		
Вход за захранване	850 W		
Измерена скорост	N ₀ 11.000/min		
Дискови колела за шлайфане			
Диаметър	100 mm	115 mm	125 mm
Досадник	16 mm	22 mm	22 mm
Връзка на шпиндела	M10	M14	M14
Тегло	1.98 kg	2 kg	2.05 kg
Звуково налягане (L _{рн})	86.4 + 3 dB(A)		
Акустична мощност (L _{вн})	97.4 + 3 dB(A)		

Вибрация
 "Повърхностно
 шлайфане" $a_{h,AG}$ 6.334 + 1.5 m/s²

Ниво на вибрация

Нивото на вибрационни излъчвания, посочено в това ръководство за употреба, е измерено в съответствие със стандартизираното изпитване, дадено в EN 60745; тя може да се използва за сравняване на инструмент с друг и за предварителна оценка на излагането на вибрации при използване на инструмента за упоменатите приложения

- използването на инструмента за различни приложения или с различни или слабо поддържани принадлежности може значително да увеличи нивото на експозиция
- времето, когато инструментът е изключен или когато той работи, но всъщност не изпълнява задачата, може значително да намали нивото на експозиция.

Защитете се от въздействието на вибрациите, като поддържате инструмента и неговите принадлежности, поддържате топли ръце и организирате работните си модели.

Описание

Цифрите в текста се отнасят до диаграмите на страници 2-3

Фиг. А

1. Бутон за заключване на шпиндела
2. Превключвател за включване / изключване
3. Защитна охрана

Фиг. В

8. Вретено
9. Монтажен фланец
10. Дисквени колела (не са включени)
11. Захващаща гайка
12. Гаечен ключ
13. Странична дръжка

Монтаж



Преди монтажа, винаги изключвайте машината и извадете щепсела от електрическата мрежа

Сглобяване на защитни устройства (Фигури А и Б)

- Поставете машината на маса с шпиндела (8) обърнат нагоре.
- Поставете предпазния предпазител (3) над главата на машината, както е показано на фигура В, като се уверите, че ръбовете на предпазната защита падат в зъбите на главата на машината.
- Завъртете предпазния кожух обратно на часовниковата стрелка и фиксирайте предпазителя чрез затягане на винта (14).

Премахването

- Поставете машината върху маса с предпазната капачка (3) обърната нагоре.
- Дръжте бутона за заключване на шпиндела (1) натиснат и разхлабете затягащата гайка (11) с помощта на гаечния ключ (12).
- Махнете диска на колелото (10) от шпиндела (8).
- Дръжте бутона за заключване на шпиндела (1) натиснат и здраво затегнете затягащата гайка (11) с помощта на гаечния ключ (12).



Никога не се опитвайте да сваляте защитата.

Монтиране и демонтиране на диска на колелото (фиг. В)

- Винаги използвайте подходящ диск за колелото за този уред с диаметър Ø 100/115/125 мм и диаметър от 16/22/22 мм дебелината на диска на колелото трябва да бъде 6 мм за диск на колелото за шлайфане и 3 мм за диск на колелото за рязане, дискът на монтажното колело може да не докосне предпазния кожух.

Монтиране

- Поставете машината върху маса с предпазната капачка (3) обърната нагоре.
- Монтирайте фланеца (9) върху шпиндела (8).
- Поставете диска на колелото (10) върху шпиндела (8).
- Дръжте бутона за заключване на шпиндела (1) натиснат и здраво затегнете затягащата гайка (11) върху шпиндела (8), като използвате гаечния ключ (12).

Премахването

- Поставете машината върху маса с предпазната капачка (3) обърната нагоре.
- Дръжте бутона за заключване на шпиндела (1) натиснат и разхлабете затягащата гайка (11) с помощта на гаечния ключ (12).
- Махнете диска на колелото (10) от шпиндела (8).
- Дръжте бутона за заключване на шпиндела (1) натиснат и здраво затегнете затягащата гайка (11) с помощта на гаечния ключ (12).

3. РАБОТА



Уверете се, че работният детайл е правилно подпрян или фиксиран и поддържайте захранващия кабел далеч от работната зона.

Включване и изключване (фигура А)

- За да включите машината, натиснете ключа за включване / изключване (2).
- За да изключите машината, освободете ключа за включване / изключване (2).

Дръжте машината далеч от работната част, когато я включите и изключите, защото дискът на колелото може да повреди работното парче.

- Захващайте здраво работното парче или използвайте друг метод, за да сте сигурни, че той не може да се движи по време на работа.
- Проверявайте редовно дисковете. Износените дискове имат отрицателен ефект върху ефективността на машината. Превключете на нов диск на колелото своевременно.
- Винаги първо изключвайте машината преди употреба, преди да извадите щепсела от контакта.

Изрязване (фигура С)

Ъгъл на наклон от 30 ° до 40 ° ще даде най-добри резултати при обезвлажняване. Преместете машината напред-назад с помощта на леко натиск. Това ще попречи на обработката да се обезцвети или да стане прекалено горещо и ще избегне изработката на гори.



Никога не използвайте абразивни режещи дискове за работа по обезвреждане!

Рязане (фигура D)

За рязане трябва да се използва специална защитна защита (не е включена в комплекта). Поддържайте здрав контакт със заготовката, за да предотвратите вибрациите и не накланяйте, не натискайте и не рязвайте. Използвайте умерено налягане при работа, подходящо за материала, върху който се работи. Не забавяйте дисковете на колелата чрез прилагане на странично противоналягане. Посоката, в която искате да намалите, е важна. Машината винаги трябва да работи срещу посоката на среза; така че никога да не премествате машината в другата посока. Има риск машината да се хване в разрез, причинявайки обратен възход и да загубите контрол.

Съвети за оптимална употреба

- Захващайте работното парче. Използвайте приспособление за затягане на малки работни детайли.
- Дръжте машината с двете си ръце.
- Включете устройството.
- Изчакайте, докато машината достигне пълна скорост.
- Поставете диска на колелото върху работното парче.
- Бавно преместете машината по протежение на работното парче, като здраво притискате диска на колелото към работната част.
- Не прилагайте прекалено голям натиск върху машината. Оставете машината да свърши работата.
- Изключете машината и изчакайте устройството да спре напълно, преди да сложите машината надолу.

4. ПОДДРЪЖКА

Замяна на захранващия кабел (само за Великобритания)

Ако монтираната 3-изводна щипка, свързана към уреда, е повредена и се нуждае от подмяна, е важно тя да бъде правилно разрушена и заменена с одобрена заземена щекера BS 1363 / 7A и да бъдат следвани следните инструкции за свързване. Проводниците в захранващия кабел са

оцветени в съответствие със следния код:

- син неутрален
- кафяв жив

Тъй като цветовете на жиците в мрежовия кабел на устройството може да не съответстват на цветните маркировки, идентифициращи клемите в щекера, направете следното:

- Сигналят, който е оцветен в синьо, трябва да бъде свързан към терминала, който е означен с буквата N или е оцветен в черно.
- Кабелът, който е оцветен в кафяво, трябва да бъде свързан към терминала, който е маркиран с буквата L или е оцветен в червено.



Преди почистване и поддръжка, винаги изключвайте машината и извадете щепсела от електрическата мрежа.

Почистете корпусите на машината редовно с мека кърпа, за предпочитане след всяка употреба. Уверете се, че вентилационните отвори са без прах и мръсотия. Премахнете много устойчива мръсотия, като използвате мека кърпа, напоена със сапун. Не използвайте разтворители като бензин, алкохол, амоняк и т.н. Химични вещества като тези ще повредят синтетичните компоненти.

Сменете захранващите кабели

Ако захранващият кабел е повреден, той трябва да бъде заменен от производителя, неговия сервизен агент или лица с подобна квалификация, за да се избегне опасност.

Проверка и смяна на въглеродните четки

Ако въглеродните четки са износени, машината ще започне да работи неравномерно.

Въглеродна четка

Ако въглеродните четки се носят, въглеродните четки трябва да бъдат заменени от отдела за обслужване на клиенти на производителя или подобно квалифицирано лице. Използвайте само правилния тип оригинални въглеродни четки.

ЗАОБИКАЛЯЩА СРЕДА



Неизправните и / или изхвърлените електрически или електронни устройства трябва да се събират на съответните места за рециклиране.

Само за страните от ЕО

Не изхвърляйте електроинструментите в битови отпадъци. Съгласно Европейската насока 2012/19 / ЕС за отпадъците от електрическо и електронно оборудване и нейното прилагане в националното право електрическите инструменти, които вече не могат да се използват, трябва да се събират отделно и да се изхвърлят по екологосъобразен начин.

ГАРАНЦИЯ

Гаранционните условия могат да бъдат намерени на отделно прикрепената гаранционна карта.

Продуктът и ръководството за употреба подлежат на промяна. Спецификациите могат да се променят без допълнително уведомяване.

ΓΩΝΙΑΚΟΣ ΤΡΟΧΟΣ

AGM1110P 710W 100mm

AGM1111P 850W 100mm

AGM1112P 710W 115mm

AGM1113P 850W 115mm

AGM1114P 710W 125mm

AGM1115P 850W 125mm

Ευχαριστούμε που αγοράσατε αυτό το προϊόν Ferm. Έτσι αποκτήσατε ένα εξαιρετικό προϊόν, που παραδίδεται από έναν από τους κορυφαίους προμηθευτές στην Ευρώπη. Όλα τα προϊόντα που σας παραδίδονται από τη Ferm είναι κατασκευασμένα σύμφωνα με τα αυστηρότερα πρότυπα απόδοσης και ασφάλειας. Ως μέρος της φιλοσοφίας μας, παρέχουμε επίσης εξαιρετική εξυπηρέτηση πελατών, η οποία υποστηρίζεται από την εκτενή μας εγγύηση. Ελπίζουμε να απολαύσετε αυτό το προϊόν για πολλά χρόνια στο μέλλον.

1. ΟΔΗΓΙΕΣ ΑΣΦΑΛΕΙΑΣ



ΠΡΟΕΙΔΟΠΟΙΗΣΗ

Διαβάστε τις εσώκλειστες προειδοποιήσεις ασφαλείας, τις

πρόσθετες προειδοποιήσεις ασφαλείας και τις οδηγίες. Η μη τήρηση των προειδοποιήσεων ασφαλείας και των οδηγιών μπορεί να έχει ως αποτέλεσμα ηλεκτροπληξία, πυρκαγιά και/ή σοβαρό τραυματισμό. **Φυλάξτε τις προειδοποιήσεις ασφαλείας και τις οδηγίες για μελλοντική αναφορά.**

Τα σύμβολα που ακολουθούν χρησιμοποιούνται στο εγχειρίδιο χρήστη ή πάνω στο προϊόν:



Διαβάστε το εγχειρίδιο χρήστη.



Υποδηλώνει κίνδυνο τραυματισμού, απώλειας ζωής ή ζημιάς στο εργαλείο, σε περίπτωση μη τήρησης των οδηγιών στο παρόν εγχειρίδιο.



Κίνδυνος ηλεκτροπληξίας



Αποσυνδέστε άμεσα το φως ρευματοληξίας από το δίκτυο ρεύματος αν το καλώδιο ρεύματος έχει υποστεί ζημιά και επίσης κατά τον καθαρισμό και τη συντήρηση.



Κίνδυνος από εκτινασσόμενα αντικείμενα. Κρατάτε τους παρευρισκόμενους μακριά από την περιοχή εργασίας.



Να φοράτε πάντα προστασία ματιών! Φοράτε προστασία ακοής.



Φοράτε γάντια ασφαλείας.



Μην πιέσετε το κουμπί ασφάλισης άξονα όσο κινείται το μοτέρ.



Κίνδυνος φωτιάς.



Μην απορρίπτετε το προϊόν σε ακατάλληλους κάδους απορριμμάτων.



Το προϊόν συμμορφώνεται με τα εφαρμοσίμα πρότυπα ασφαλείας στις Ευρωπαϊκές Οδηγίες.

Προειδοποιήσεις ασφαλείας κοινές για εργασίες τροχίσματος ή λειαντικής κοπής:

- α) Αυτό το ηλεκτρικό εργαλείο προορίζεται για λειτουργία ως εργαλείο τροχίσματος. Διαβάστε όλες τις προειδοποιήσεις ασφαλείας, οδηγίες, απεικονίσεις και προδιαγραφές που παρέχονται με το παρόν ηλεκτρικό εργαλείο. Η μη τήρηση όλων των οδηγιών που αναφέρονται παρακάτω μπορεί να έχει ως αποτέλεσμα ηλεκτροπληξία, φωτιά και/ή σοβαρό τραυματισμό.
- β) Εργασίες όπως γυαλοχάρτισμα, βούρτσισμα με συρματόβουρτσα, στίλβωση δεν συνιστάται να εκτελούνται με αυτό το ηλεκτρικό εργαλείο. Εργασίες για τις οποίες δεν έχει σχεδιαστεί το ηλεκτρικό εργαλείο μπορεί να δημιουργήσουν κίνδυνο και να προκαλέσουν τραυματισμό ατόμων.
- γ) Μη χρησιμοποιείτε αξεσουάρ που δεν είναι ειδικά σχεδιασμένα και δεν συνιστώνται από τον κατασκευαστή του εργαλείου. Απλά το γεγονός ότι το αξεσουάρ μπορεί να προσαρτηθεί στο ηλεκτρικό εργαλείο σας, δεν διασφαλίζει την ασφαλή λειτουργία του.

- δ) Η ονομαστική ταχύτητα λειτουργίας του αξεσουάρ πρέπει να είναι τουλάχιστον ίση με τη μέγιστη ταχύτητα που επισημαίνεται πάνω στο ηλεκτρικό εργαλείο. Τα αξεσουάρ που κινούνται ταχύτερα από την ονομαστική τους ταχύτητα μπορεί να σπάσουν και τα θραύσματά τους να εκτιναχθούν.
- ε) Η εξωτερική διάμετρος και το πάχος του αξεσουάρ πρέπει να είναι εντός της ονομαστικής δυναμικότητας του ηλεκτρικού εργαλείου. Αν χρησιμοποιηθούν αξεσουάρ λανθασμένου μεγέθους δεν μπορεί να διασφαλιστεί η επαρκής προστασία του χρήστη ή ο έλεγχος τους εργαλείου.
- στ) Το σύστημα στερέωσης με βίδωμα των αξεσουάρ πρέπει να ταιριάζει στο σπείρωμα της ατράκτου του τροχού. Για αξεσουάρ που στερεώνονται με φλάντζες, η οπή άξονα του αξεσουάρ πρέπει να συμφωνεί με τη διάμετρο έδρασης της φλάντζας. Αξεσουάρ που δεν συμφωνούν με το υλικό στερέωσης του ηλεκτρικού εργαλείου θα κινούνται εκτός ισορροπίας, θα δονούνται υπερβολικά και μπορεί να προκαλέσουν απώλεια του ελέγχου.
- ζ) **Μη χρησιμοποιήσετε οποιοδήποτε αξεσουάρ έχει υποστεί ζημιά. Πριν από κάθε χρήση ελέγξτε τα αξεσουάρ όπως τους λειαντικούς δίσκους, για εκλεπίσεις και ρωγμές, την επιφάνεια στήριξης για ρωγμές, σχισίματα ή υπερβολική φθορά, τη συρματόβουρτσα για χαλαρά ή ραγισμένα σύρματα. Αν έχει πέσει κάτω το ηλεκτρικό εργαλείο ή το αξεσουάρ, ελέγξτε το για ζημιά ή εγκαταστήστε ένα αξεσουάρ που δεν έχει υποστεί ζημιά. Μετά τον έλεγχο και την εγκατάσταση ενός αξεσουάρ, τοποθετήστε τον εαυτό σας και τους παρευρισκόμενους μακριά από το επίπεδο του περιστρεφόμενου αξεσουάρ και λειτουργήστε το ηλεκτρικό εργαλείο για ένα λεπτό στη μέγιστη ταχύτητα χωρίς φορτίο. Τα αξεσουάρ που έχουν υποστεί ζημιά, κανονικά θα διαλυθούν στη διάρκεια αυτού του χρόνου δοκιμής.**
- η) **Φοράτε ατομικό εξοπλισμό προστασίας. Ανάλογα με την εφαρμογή, χρησιμοποιήστε προσωπίδα, προστατευτικά γυαλιά ασφαλείας ή γυαλιά ασφαλείας. Ανάλογα με τις απαιτήσεις της εφαρμογής, φορέστε μάσκα σκόνης, προστατευτικά ακοής, γάντια και ποδιά συνεργείου ικανή να σταματήσει μικρά θραύσματα του λειαντικού τροχού ή του τεμαχίου εργασίας.** Η προστασία των ματιών πρέπει να είναι ικανή να σταματήσει εκτινασσόμενα θραύσματα που παράγονται από διάφορες εργασίες. Η μάσκα σκόνης ή η αναπνευστική συσκευή πρέπει να έχει την ικανότητα να φιλτράρει τα σωματίδια που παράγονται από την εργασία που εκτελείτε. Η παρατεταμένη έκθεση σε θόρυβο υψηλής έντασης μπορεί να προκαλέσει απώλεια ακοής.
- θ) **Κρατάτε τους παρευρισκόμενους σε ασφαλή απόσταση από την περιοχή εργασίας σας. Οποιοσδήποτε εισέρχεται στην περιοχή εργασίας πρέπει να φορά ατομικό εξοπλισμό προστασίας.** Θραύσματα από το τεμάχιο εργασίας ή το σπασμένο αξεσουάρ μπορεί να εκτοξευτούν και να προκαλέσουν τραυματισμό και εκτός της άμεσης περιοχής εργασίας.
- ι) **Κρατάτε το ηλεκτρικό εργαλείο μόνο από μονωμένες επιφάνειες λαβής όταν εκτελείτε μια εργασία όπου το αξεσουάρ κοπής μπορεί να έρθει σε επαφή με αθάατα καλώδια ή με το καλώδιο του ίδιου του εργαλείου.** Αν ένα αξεσουάρ κοπής έρθει σε επαφή με καλώδιο υπό τάση, μπορεί να θέσει υπό τάση και τα εκτεθειμένα μεταλλικά μέρη του ηλεκτρικού εργαλείου και να προκαλέσει ηλεκτροπληξία στο χειριστή.
- ια) **Ρυθμίστε τη θέση του καλωδίου ώστε να είναι μακριά από το περιστρεφόμενο αξεσουάρ.** Αν χάσετε τον έλεγχο, το καλώδιο μπορεί να κοπεί ή να τυλιχτεί σφιχτά και η παλάμη ή το χέρι σας να τραβηχτεί προς το περιστρεφόμενο αξεσουάρ.
- ιβ) **Ποτέ μην αφήσετε κάτω το ηλεκτρικό εργαλείο έως ότου το αξεσουάρ έχει σταματήσει τελείως να κινείται.** Το περιστρεφόμενο αξεσουάρ μπορεί να έρθει σε επαφή με την επιφάνεια και να τραβήξει το ηλεκτρικό εργαλείο εκτός ελέγχου σας.
- ιγ) **Μην έχετε σε λειτουργία το ηλεκτρικό εργαλείο ενώ το μεταφέρετε στο πλευρό σας.** Αν το περιστρεφόμενο αξεσουάρ έρθει αθέλητα σε επαφή με τα ρούχα σας, μπορεί να τραβηχτεί προς το σώμα σας.
- ιδ) **Καθαρίζετε τακτικά τα ανοίγματα αερισμού του ηλεκτρικού εργαλείου.** Ο ανεμιστήρας του μοτέρ θα έλκει τη σκόνη μέσα στο περίβλημα και η υπερβολική συγκέντρωση μεταλλικών ρινισμάτων μπορεί να προκαλέσει ηλεκτρικούς κινδύνους.

- ιε) **Μη λειτουργείτε το ηλεκτρικό εργαλείο κοντά σε εύφλεκτα υλικά.** Οι σπινθήρες θα μπορούσαν να προκαλέσουν ανάφλεξη σε αυτά τα υλικά.
- ιστ) **Μη χρησιμοποιείτε αξεσουάρ που απαιτούν ψυκτικά υγρά.** Η χρήση νερού ή άλλων ψυκτικών υγρών μπορεί να έχει ως αποτέλεσμα ηλεκτροπληξία, ελαφρά ή θανατηφόρα.

Ανάδραση (κλώτσημα) του εργαλείου και σχετικές προειδοποιήσεις

Η ανάδραση είναι μια ξαφνική αντίδραση σε περίπτωση που σφηνώσει ή μπλοκάρει ο περιστρεφόμενος τροχός, η επιφάνεια στήριξης του αξεσουάρ, η βούρτσα ή οποιοδήποτε άλλο αξεσουάρ. Το σφηνώμα ή το μπλοκάρισμα προκαλεί ταχύτατη ακινητοποίηση του περιστρεφόμενου αξεσουάρ, η οποία με τη σειρά αναγκάζει το ηλεκτρικό εργαλείο να κινηθεί εκτός ελέγχου σε κατεύθυνση αντίθετη με τη φορά περιστροφής του αξεσουάρ στο σημείο που μάγκωσε.

Για παράδειγμα, αν ένας λειαντικός τροχός μπλοκαριστεί ή σφηνώσει στο τεμάχιο εργασίας, η άκρη του τροχού που εισέρχεται στο σημείο σφηνώματος μπορεί να «αρπάξει» την επιφάνεια του υλικού προκαλώντας τη σταδιακή ή απότομη κίνηση του τροχού προς τα έξω. Ο τροχός μπορεί να αναπηδήσει είτε προς το χειριστή είτε αντίθετα από αυτόν, ανάλογα με τη φορά κίνησης του τροχού στο σημείο σφηνώματος. Οι λειαντικοί τροχοί μπορεί και να σπάσουν υπό αυτές τις συνθήκες. Η ανάδραση είναι αποτέλεσμα της κακής χρήσης και/ή των λανθασμένων διαδικασιών ή συνθηκών λειτουργίας του ηλεκτρικού εργαλείου και μπορεί να αποφευχθεί με τη λήψη κατάλληλων μέτρων προστασίας όπως αναφέρονται παρακάτω.

- α) **Διατηρείτε σταθερή λαβή στο ηλεκτρικό εργαλείο και τοποθετείτε το σώμα και τα χέρια σας ώστε να σας επιτρέπουν να αντισταθείτε στις δυνάμεις ανάδρασης.** Πάντα να χρησιμοποιείτε τη βοηθητική λαβή, αν υπάρχει, για μέγιστο έλεγχο έναντι ανάδρασης ή της στρεπτικής αντίδρασης κατά την εκκίνηση. Ο χειριστής μπορεί να ελέγξει τις δυνάμεις στρεπτικής αντίδρασης ή ανάδρασης, αν έχει λάβει κατάλληλα μέτρα.
- β) **Ποτέ μην τοποθετείτε τα χέρια σας κοντά στο περιστρεφόμενο αξεσουάρ.** Το αξεσουάρ μπορεί σε περίπτωση ανάδρασης να χτυπήσει το χέρι σας.

- γ) **Μην τοποθετείτε το σώμα σας στην περιοχή όπου θα κινηθεί το ηλεκτρικό εργαλείο σε περίπτωση ανάδρασης.** Η ανάδραση θα προκαλέσει κίνηση του εργαλείου σε κατεύθυνση αντίθετη με την κίνηση του τροχού στο σημείο μπλοκαρίσματος.
- δ) **Να είστε ιδιαίτερα προσεκτικοί κατά την εργασία σε γωνίες, αιχμηρές ακμές κλπ. Αποφεύγετε την αναπήδηση και το μπλοκάρισμα του αξεσουάρ.** Οι γωνίες, οι αιχμηρές ακμές ή η αναπήδηση έχουν την τάση να προκαλέσουν μπλοκάρισμα του περιστρεφόμενου αξεσουάρ και απώλεια του ελέγχου ή ανάδραση.
- ε) **Μη συνδέετε στο μηχανήμα λεπίδα ξυλογλυπτικής με αλυσίδα κοπής ή οδοντωτή λεπίδα κοπής.** Οι λεπίδες αυτού του είδους προκαλούν συχνά ανάδραση και απώλεια ελέγχου.

Προειδοποιήσεις ασφαλείας ειδικές για εργασίες τροχίσματος και λειαντικής κοπής:

- α) **Χρησιμοποιείτε μόνο τύπους τροχών που συνιστούνται για το ηλεκτρικό εργαλείο σας και χρησιμοποιείτε τον ειδικό προφυλακτήρα που είναι σχεδιασμένος για τον επιλεγμένο τροχό.** Με τροχούς για τους οποίους δεν έχει σχεδιαστεί το ηλεκτρικό εργαλείο, δεν μπορεί να επιτευχθεί επαρκής προστασία και είναι ανασφαλής.
- β) **Η λειαντική επιφάνεια των τροχών με κεντρική βύθιση πρέπει να τοποθετείται κάτω από το επίπεδο του χείλους του προφυλακτήρα.** Ένας ακατάλληλα τοποθετημένος τροχός που προεξέχει από το επίπεδο του χείλους του προφυλακτήρα δεν μπορεί να προστατευτεί επαρκώς.
- γ) **Ο προφυλακτήρας πρέπει να έχει προσαρτηθεί στέρεα στο ηλεκτρικό εργαλείο και να έχει ρυθμιστεί η θέση του για μέγιστη ασφάλεια, ώστε να είναι εκτεθειμένο προς το χειριστή το μικρότερο δυνατό μέρος του τροχού.** Ο προφυλακτήρας βοηθά στην προστασία του χειριστή από θραύσματα του τροχού, από αθέλητη επαφή με τον τροχό και από σπινθήρες που θα μπορούσαν να προκαλέσουν ανάφλεξη του ρουχισμού.
- δ) **Οι τροχοί πρέπει να χρησιμοποιούνται μόνο για τις συνιστώμενες εφαρμογές.** Για παράδειγμα, μην τροχίζετε με το πλάι ενός

τροχού κοπής. Οι λειαντικοί τροχοί κοπής προορίζονται για περιφερειακό τρόχισμα και αν εφαρμοστούν σε αυτούς πλευρικές δυνάμεις, μπορεί να προκληθεί θραύση και καταστροφή τους.

- ε) **Πάντα να χρησιμοποιείτε σωστού μεγέθους και σχήματος φλάντζες τροχών, ανάλογα με τον τροχό που έχετε επιλέξει.** Οι σωστές φλάντζες τροχών υποστηρίζουν τον τροχό μειώνοντας έτσι την πιθανότητα θραύσης του τροχού. Οι φλάντζες για τροχούς κοπής μπορεί να είναι διαφορετικές από τις φλάντζες για τροχούς τριχοσίματος.
- στ) **Μην χρησιμοποιείτε φθαρμένους τροχούς από μεγαλύτερα ηλεκτρικά εργαλεία.** Ένας τροχός που προορίζεται για μεγαλύτερο ηλεκτρικό εργαλείο δεν είναι κατάλληλος για την υψηλότερη ταχύτητα ενός μικρού εργαλείου και μπορεί να σπάσει.

Πρόσθετες προειδοποιήσεις ασφαλείας ειδικές για εργασίες λειαντικής κοπής:



Οι εργασίες κοπής επιτρέπονται μόνο με ειδικό ανοικτό προστατευτικό (δεν συμπεριλαμβάνεται).

- α) **Μη “σφηνώνετε” τον κοπτικό τροχό και μην εφαρμόζετε υπερβολική πίεση. Μην επιχειρήσετε να επιτύχετε υπερβολικό βάθος κοπής.** Η υπερβολική καταπόνηση του τροχού αυξάνει την επιβολή φορτίου σε αυτόν και την ευαισθησία του σε συστροφή ή μάγκωμα του μέσα στην κοπή και επομένως την πιθανότητα ανάδρασης ή θραύσης του τροχού.
- β) **Μην τοποθετείτε το σώμα σας σε ευθεία γραμμή με και πίσω από τον περιστρεφόμενο τροχό.** Όταν ο τροχός, στο σημείο της εργασίας, κινείται μακριά από το σώμα σας, μια ενδεχόμενη ανάδραση μπορεί να ωθήσει τον περιστρεφόμενο τροχό και το ηλεκτρικό εργαλείο απευθείας προς το μέρος σας.
- γ) **Όταν ο τροχός μαγκώσει ή όταν διακόψετε μια διαδικασία κοπής για οποιονδήποτε λόγο, απενεργοποιήστε το εργαλείο κοπής και κρατήστε το ακίνητο έως ότου σταματήσει πλήρως να κινείται ο τροχός. Ποτέ μην επιχειρήσετε να αφαιρέσετε τον κοπτικό τροχό από την κοπή ενώ ο τροχός**

κινείται, διαφορετικά μπορεί να προκύψει ανάδραση. Διερευνήστε την αιτία και πάρτε διορθωτικά μέτρα για να καταργήσετε την αιτία του μαγκώματος του τροχού.

- δ) **Μην επανεκκινήσετε την εργασία κοπής μέσα στο τεμάχιο εργασίας. Αφήστε τον τροχό να φθάσει σε πλήρη ταχύτητα και εισαγάγετε τον πάλι προσεκτικά μέσα στην κοπή.** Ο τροχός μπορεί να μαγκώσει, να κινηθεί προς τα πάνω ή μπορεί να προκληθεί ανάδραση αν το ηλεκτρικό εργαλείο επανεκκινηθεί με τον τροχό μέσα στο τεμάχιο εργασίας.
- ε) **Υποστηρίξτε τα μεγάλα πλαίσια ή οποιοδήποτε υπερμέγεθες τεμάχιο εργασίας, για να ελαχιστοποιήσετε τον κίνδυνο σφηνώματος του τροχού και ανάδρασης.** Τα μεγάλα τεμάχια εργασίας τείνουν να υποχωρούν υπό το ίδιο τους το βάρος. Τα στηρίγματα πρέπει να τοποθετούνται κάτω από το τεμάχιο εργασίας κοντά στη γραμμή κοπής και κοντά στην άκρη του τεμαχίου εργασίας και στις δύο πλευρές του τροχού.
- στ) **Χρησιμοποιείτε εξαιρετική προσοχή όταν πραγματοποιείτε μια “εσωτερική κοπή” σε υπάρχοντες τοίχους ή σε άλλες τυφλές περιοχές.** Ο τροχός που προεξέχει μπορεί να κόψει σωλήνες αερίου ή νερού, ηλεκτρικά καλώδια ή αντικείμενα που μπορούν να προκαλέσουν ανάδραση.

Ηλεκτρική ασφάλεια

Όταν χρησιμοποιείτε ηλεκτρικά μηχανήματα, να τηρείτε πάντα τους κανονισμούς ασφαλείας που έχουν εφαρμογή στη χώρα σας, για να μειώσετε τον κίνδυνο φωτιάς, ηλεκτροπληξίας και τραυματισμού. Διαβάστε τις οδηγίες ασφαλείας που ακολουθούν, αλλά και τις οδηγίες ασφαλείας που συνοδεύουν το προϊόν.



Να ελέγχετε πάντα ότι η τάση της παροχής ρεύματος αντιστοιχεί με την τάση στην επικέτα της πινακίδας στοιχείων.



Μηχάνημα Κλάσης II - Με διπλή μόνωση - Δεν χρειάζεται να χρησιμοποιήσετε γειωμένο φις.

Αν είναι αναπόφευκτη η χρήση ηλεκτρικού εργαλείου σε τοποθεσία με υψηλή υγρασία,

χρησιμοποιήστε παροχή που προστατεύεται από διάταξη προστασίας ρεύματος διαρροής (RCD). Η χρήση διάταξης RCD μειώνει τον κίνδυνο ηλεκτροπληξίας.

2. ΠΛΗΡΟΦΟΡΙΕΣ ΓΙΑ ΤΟ ΜΗΧΑΝΗΜΑ

Προβλεπόμενη χρήση

Ο γωνιακός τροχός σας έχει σχεδιαστεί για εργασίες τροχίσματος (λείανσης) σε υλικά τοιχοποιίας και χάλυβα, χωρίς τη χρήση νερού. Για εργασίες κοπής πρέπει να χρησιμοποιείται ειδικός προστατευτικός προφυλακτήρας (δεν συμπεριλαμβάνεται)

Τεχνικές προδιαγραφές

№ модели	AGM1110P AGM1112P AGM1114P
Τάση ρεύματος δικτύου	220-240 V~
Συχνότητα ρεύματος δικτύου	50/60 Hz
Κατανάλωση ισχύος	710 W
Ονομαστική ταχύτητα	N_0 11.000/min

Δίσκος τροχού τροχίσματος

	M10	M14	M14
Διάμετρος	100 mm	115 mm	125 mm
Οπή	16 mm	22 mm	22 mm
Σπείρωμα άξονα	M10	M14	M14
Βάρος	1.98 kg	2 kg	2.05 kg
Πίεση ήχου (L_{PA})	86.4 + 3 dB(A)		
Ακουστική ισχύς (L_{WA})	97.4 + 3 dB(A)		
Κραδασμοί "Επιφανειακό τρόχισμα" $a_{h,AG}$	6.334 + 1.5 m/s ²		

№ модели	AGM1111P AGM1113P AGM1115P
Τάση ρεύματος δικτύου	220-240 V~
Συχνότητα ρεύματος δικτύου	50/60 Hz
Κατανάλωση ισχύος	850 W
Ονομαστική ταχύτητα	N_0 11.000/min

Δίσκος τροχού τροχίσματος

	M10	M14	M14
Διάμετρος	100 mm	115 mm	125 mm
Οπή	16 mm	22 mm	22 mm

Σπείρωμα άξονα	M10	M14	M14
Βάρος	1.98 kg	2 kg	2.05 kg
Πίεση ήχου (L_{PA})	86.4 + 3 dB(A)		
Ακουστική ισχύς (L_{WA})	97.4 + 3 dB(A)		
Κραδασμοί "Επιφανειακό τρόχισμα" $a_{h,AG}$	6.334 + 1.5 m/s ²		

Επίπεδο κραδασμών

Το επίπεδο εκπομπής κραδασμών που αναφέρεται στο παρόν εγχειρίδιο οδηγιών έχει μετρηθεί σύμφωνα με την τυποποιημένη δοκιμή που αναφέρεται στο EN 60745. Μπορεί να χρησιμοποιηθεί για τη σύγκριση ενός εργαλείου με άλλο και ως προκαταρκτική εκτίμηση της έκθεσης σε κραδασμούς κατά τη χρήση του εργαλείου για τις αναφερόμενες εφαρμογές

- η χρήση του εργαλείου σε άλλες εφαρμογές ή με άλλα ή κακοσυντηρημένα αξεσουάρ μπορεί να επηρεάσει σημαντικά το επίπεδο έκθεσης
- οι χρόνοι που το εργαλείο είναι απενεργοποιημένο ή λειτουργεί χωρίς να εκτελεί εργασία, μπορεί να μειώσουν σημαντικά το επίπεδο έκθεσης

Προστατευτείτε έναντι των επιδράσεων των κραδασμών συντηρώντας το εργαλείο και τα αξεσουάρ του, διατηρώντας τα χέρια σας ζεστά και οργανώνοντας τα σχήματα εργασίας σας.

Περιγραφή

Οι αριθμοί στο κείμενο αναφέρονται στα διαγράμματα στις σελίδες 2-3

Εικ. Α

1. Κουμπί ασφάλισης άξονα
2. Διακόπτης On/Off
3. Προστατευτικός προφυλακτήρας

Εικ. Β

8. Άξονας
9. Φλάντζα στερέωσης
10. Δίσκος τροχού (δεν συμπεριλαμβάνεται)
11. Παξιμάδι σύσφιξης
12. Κλειδί
13. Πλευρική λαβή

Συναρμολόγηση



Πριν τη συναρμολόγηση, πάντα να απενεργοποιείτε το μηχάνημα και να αφαιρείτε το φως ρευματοληψίας από την πρίζα.

Συναρμολόγηση του προστατευτικού προφυλακτήρα (εικ. Α και Β)

- Τοποθετήστε το μηχάνημα πάνω σε ένα τραπέζι με τον άξονα (8) να κοιτάζει προς τα πάνω.
- Τοποθετήστε τον προστατευτικό προφυλακτήρα (3) πάνω από την κεφαλή του μηχανήματος, όπως δείχνει η Εικόνα Β αφού βεβαιωθείτε ότι οι προεξοχές στον προστατευτικό προφυλακτήρα πέφτουν μέσα στις εγκοπές της κεφαλής του μηχανήματος.
- Περιστρέψτε τον προστατευτικό προφυλακτήρα αριστερόστροφα όπως.



Ποτέ μην επιχειρήσετε να χρησιμοποιήσετε το μηχάνημα χωρίς τον προφυλακτήρα.

Τοποθέτηση και αφαίρεση του δίσκου (εικ. Β)

- Πάντα να χρησιμοποιείτε δίσκο τροχού κατάλληλο για αυτό το μηχάνημα, με διάμετρο Ø100mm / Ø115mm / Ø125mm και οπή 16 / 22 / 22 mm. Το πάχος του δίσκου τροχού πρέπει να είναι 6 mm για δίσκο τροχού τροχίσματος και 3 mm για δίσκο τροχού κοπής. Ο τοποθετημένος δίσκος τροχού δεν επιτρέπεται να έρχεται σε επαφή με τον προστατευτικό προφυλακτήρα.

Τοποθέτηση

- Τοποθετήστε το μηχάνημα πάνω σε ένα τραπέζι με τον προστατευτικό προφυλακτήρα (3) να κοιτάζει προς τα πάνω.
- Τοποθετήστε την φλάντζα (9) πάνω στον άξονα (8).
- Τοποθετήστε το δίσκο τροχού (10) πάνω στον άξονα (8).
- Κρατήστε πατημένο το κουμπί (1) ασφάλισης άξονα και σφίξτε καλά το παξιμάδι σύσφιξης (11) πάνω στον άξονα (8) χρησιμοποιώντας το κλειδί (12).

Φαίρεση

- Τοποθετήστε το μηχάνημα πάνω σε ένα τραπέζι με τον προστατευτικό προφυλακτήρα

(3) να κοιτάζει προς τα πάνω.

- Κρατήστε το κουμπί (1) ασφάλισης άξονα πατημένο και λασκάρτε το παξιμάδι σύσφιξης (11) χρησιμοποιώντας το κλειδί (12).
- Αφαιρέστε το δίσκο τροχού (10) από τον άξονα (8).
- Κρατήστε πατημένο το κουμπί (1) ασφάλισης άξονα και σφίξτε καλά το παξιμάδι σύσφιξης (11) χρησιμοποιώντας το κλειδί (12).

3. ΛΕΙΤΟΥΡΓΙΑ



Βεβαιωθείτε ότι το τεμάχιο εργασίας έχει υποστηρίχθει ή στερεωθεί σωστά και κρατήστε τη διέλευση του καλωδίου ρεύματος μακριά από την περιοχή εργασίας.

Ενεργοποίηση και απενεργοποίηση (εικ. Α)

- Για να ενεργοποιήσετε το μηχάνημα πιέστε το διακόπτη ενεργοποίησης/ απενεργοποίησης (2).
- Για να απενεργοποιήσετε το μηχάνημα, ελευθερώστε το διακόπτη On/off (2).

Κρατήστε το μηχάνημα μακριά από το τεμάχιο εργασίας όταν το ενεργοποιείτε και το απενεργοποιείτε, επειδή ο δίσκος τροχού θα μπορούσε να προξενήσει ζημιά στο τεμάχιο εργασίας.

- Στερεώστε το τεμάχιο εργασίας καλά με σύσφιξη ή χρησιμοποιήστε άλλη μέθοδο, για να διασφαλίσετε ότι δεν μπορεί να κινηθεί κατά την εργασία.
- Ελέγχετε τους δίσκους τακτικά. Οι φθαρμένοι δίσκοι τροχών έχουν αρνητική επίδραση στην αποτελεσματικότητα του μηχανήματος. Να αντικαθιστάτε έγκαιρα το δίσκο τροχού με νέον.
- Μετά τη χρήση, πάντα να απενεργοποιείτε πρώτα το μηχάνημα πριν αφαιρέσετε το φως από την πρίζα.

Αφαίρεση γρεζιών (εικ. C)

Μια γωνία κλίσης 30° έως 40° θα δώσει τα καλύτερα αποτελέσματα κατά την αφαίρεση των γρεζιών. Μετακινείτε το μηχάνημα εμπρός πίσω χρησιμοποιώντας μόνο μικρή πίεση. Έτσι θα αποτραπεί αλλοίωση του χρωματισμού του τεμαχίου εργασίας ή υπερθέρμανσή του και θα αποφευχθεί η δημιουργία αυλακώσεων.



Ποτέ μη χρησιμοποιείτε δίσκους λειαντικής κοπής για εργασία αφαίρεσης γρεζιών!

Κοπή (εικ. D)

Για εργασίες κοπής πρέπει να χρησιμοποιείται ειδικός προστατευτικός προφυλακτήρας (δεν συμπεριλαμβάνεται).

Διατηρείτε σταθερή επαφή με το τεμάχιο εργασίας για να αποτρέψετε κραδασμούς και επίσης μη δίνετε κλίση και μην εφαρμόζετε πίεση κατά την κοπή. Να χρησιμοποιείτε μέτρια πίεση κατά την εργασία, ανάλογα με το υλικό στο οποίο γίνεται η εργασία. Μην επιβραδύνετε τους δίσκους τροχών ασκώντας πλευρική αντίθετη πίεση. Η κατεύθυνση στην οποία θέλετε να κάνετε την κοπή είναι σημαντική. Το μηχάνημα πρέπει πάντα να εργάζεται αντίθετα με την κατεύθυνση της κοπής. Επομένως, ποτέ μην κινείτε το μηχάνημα στην άλλη κατεύθυνση! Υπάρχει ο κίνδυνος το μηχάνημα να πιαστεί στην κοπή και να προκαλέσει ανάδραση ή απώλεια του ελέγχου.

Υποδείξεις για βέλτιστη χρήση

- Στερεώστε το τεμάχιο εργασίας με σύσφιξη. Για μικρά τεμάχια εργασίας χρησιμοποιήστε διάταξη σύσφιξης.
- Κρατήστε το μηχάνημα και με τα δύο χέρια.
- Ενεργοποιήστε το μηχάνημα.
- Περιμένετε το μηχάνημα να φτάσει πλήρη ταχύτητα.
- Τοποθετήστε το δίσκο τροχού πάνω στο τεμάχιο εργασίας.
- Κινήστε αργά το μηχάνημα κατά μήκος του τεμαχίου εργασίας, πιέζοντας σταθερά το δίσκο τροχού πάνω στο τεμάχιο εργασίας.
- Μην εφαρμόζετε υπερβολική πίεση πάνω στο μηχάνημα. Αφήστε το μηχάνημα να κάνει τη δουλειά.
- Απενεργοποιήστε το μηχάνημα και περιμένετε να σταματήσει τελείως πριν το αφήσετε κάτω.

4. ΣΥΝΤΗΡΗΣΗ

Αντικατάσταση φιν ρευματοληψίας (Hv. Βασίλειο μόνο)

Αν έχει υποστεί ζημιά το χυτό 3-πολικό φιν που είναι συνδεδεμένο στη μονάδα και χρειάζεται αντικατάσταση, είναι σημαντικό να καταστραφεί σωστά το φιν και να αντικατασταθεί από φιν

εγκεκριμένο κατά BS 1363 με ασφάλεια 13A και να τηρηθούν οι παρακάτω οδηγίες σύνδεσης. Οι αγωγοί στο καλώδιο ρεύματος δικτύου είναι χρωματισμένοι σύμφωνα με τον ακόλουθο κώδικα: μπλε ουδέτερο
καφέ φάση

Επειδή τα χρώματα των αγωγών στο καλώδιο ρεύματος δικτύου της μονάδας μπορεί να μην αντιστοιχούν με τις έγχρωμες ενδείξεις που χαρακτηρίζουν τους ακροδέκτες στο φιν, ενεργήστε ως εξής:

- Ο αγωγός με μπλε χρώμα πρέπει να συνδεθεί στον ακροδέκτη που φέρει σήμανση με γράμμα N ή έχει μαύρο χρώμα.
- Ο αγωγός με καφέ χρώμα πρέπει να συνδεθεί στον ακροδέκτη που φέρει σήμανση με γράμμα L ή έχει κόκκινο χρώμα.



Πριν τον καθαρισμό και τη συντήρηση, πάντα να απενεργοποιείτε το μηχάνημα και να αφαιρείτε το φιν ρευματοληψίας από την πρίζα.

Καθαρίζετε τα περιβλήματα του μηχανήματος τακτικά με ένα μαλακό πανί, κατά προτίμηση μετά από κάθε χρήση. Να βεβαιώνεστε ότι τα ανοίγματα αερισμού είναι ελεύθερα από σκόνη και ακαθαρσίες. Αφαιρείτε κάθε επίμονη ακαθαρσία με τη χρήση ενός μαλακού πανιού που το έχετε υγράνει με σαπουνόδιαλυμα. Μη χρησιμοποιείτε οποιοδήποτε διαλύτη όπως βενζίνη, οινόπνευμα, αμμωνία κλπ. Τα χημικά αυτού του είδους θα προξενήσουν ζημιά στα συνθετικά εξαρτήματα.

Αντικατάσταση των καλωδίων ρεύματος

Αν το καλώδιο ρεύματος έχει υποστεί ζημιά, πρέπει να αντικατασταθεί από τον κατασκευαστή, τον αντιπρόσωπό του για σέρβις ή παρόμοια εξειδικευμένα άτομα, για την αποφυγή κινδύνου.

Έλεγχος και αντικατάσταση των ψηκτρών άνθρακα

Αν έχουν φθαρεί οι ψηκτρες άνθρακα, αυτές πρέπει να αντικατασταθούν από το τμήμα εξυπηρέτησης πελατών του κατασκευαστή ή από άτομο με παρόμοια εξειδίκευση.



Να χρησιμοποιείτε μόνο το σωστό γνήσιο τύπο ψηκτρών άνθρακα.

ΠΕΡΙΒΑΛΛΟΝ



Ο ηλεκτρικός ή ηλεκτρονικός εξοπλισμός που παρουσιάζει βλάβη ή έχει φθάσει στο τέλος της ωφέλιμης ζωής του πρέπει να παραδίδεται στις κατάλληλες τοποθεσίες ανακύκλωσης.

Μόνο για χώρες ΕΚ

Μην απορρίπτετε τα ηλεκτρικά εργαλεία στα οικιακά απορρίμματα. Σύμφωνα με την Ευρωπαϊκή οδηγία 2012/19/EU περί αποβλήτων ηλεκτρικού και ηλεκτρονικού εξοπλισμού και την εφαρμογή του στο εθνικό δίκαιο, τα ηλεκτρικά εργαλεία που δεν μπορούν να χρησιμοποιηθούν πλέον πρέπει να συλλέγονται ξεχωριστά και να απορρίπτονται με τρόπο φιλικό προς το περιβάλλον.

ΕΓΓΥΗΣΗ

Μπορείτε να βρείτε τις προϋποθέσεις της εγγύησης στη χωριστή εσωκλειστή κάρτα εγγύησης.

Το προϊόν και το εγχειρίδιο χρήστη υπόκεινται σε αλλαγή. Οι προδιαγραφές μπορεί να αλλάξουν χωρίς άλλη ειδοποίηση.

Γκάλαξη הזווית

AGM1110P 710 100 ταο
 AGM1111P 850 100 ταο
 AGM1112P 710 115 ταο
 AGM1113P 850 115 ταο
 AGM1114P 710 125 ταο
 AGM1115P 850 125 ταο

شكرًا لك على شراء منتج Ferm هذا. وبقيامك بعملية الشراء هذه، تمتلك الآن منتجًا ممتازًا مقدمًا من إحدى شركات التوريد الرائدة في أوروبا. فقد تم تصنيع جميع المنتجات التي تقدمها إليك شركة Ferm، وفقًا لأعلى معايير الأداء والسلامة. وكجزء من فلسفتنا، نقدم أيضًا خدمة عملاء ممتازة مدعومة بضمان شامل. نأمل أن تستمتع باستخدام هذا المنتج لسنوات عديدة قادمة.

1. تعليمات السلامة

اقرأ تحذيرات السلامة المرفقة، وتحذيرات السلامة الإضافية، والتعليمات. فإن التقصير في اتباع تحذيرات السلامة والتعليمات قد يؤدي إلى حدوث صدمة كهربائية و/أو شوب حريق و/أو وقوع إصابة خطيرة. احتفظ بتحذيرات السلامة والتعليمات من أجل الرجوع إليها في المستقبل.



يتم استخدام الرموز التالية في دليل المستخدم أو على المنتج:



اقرأ دليل المستخدم.

يشير إلى خطر الإصابة الشخصية أو فقدان الحياة أو تلف الأداة، في حالة عدم مراعاة التعليمات الواردة في هذا الدليل.



خطر الصدمة الكهربائية



قم على الفور بإزالة قابس مأخذ الطاقة الرئيسي من مأخذ الطاقة الرئيسي، في حالة تلف كبل مأخذ الطاقة الرئيسي وأثناء التنظيف والصيانة.



خطر الأشياء المتطايرة. أبعد الواقفين بجوارك بعيدًا عن منطقة العمل.



ارتد واق العينين دائمًا!



ارتد واق السمع.



ارتد قفازات السلامة.





لا تضغط على زر قفل عمود الدوران أثناء تشغيل الموتور.



خطر الحريق.



لا تتخلص من المنتجات في حاويات غير مناسبة.



يتوافق المنتج مع معايير السلامة المعمول بها الواردة في التوجيهات الأوروبية.

تحذيرات السلامة الشائعة لعمليات التجليخ أو القطع الكاشطة.

(أ) تُستخدم هذه الأداة الكهربائية للعمل كأداة تجليخ. اقرأ جميع تحذيرات السلامة، والتعليمات، والتوضيحات، والمواصفات المرفقة مع هذه الأداة الكهربائية. فإن التصغير في اتباع جميع التعليمات المسجلة أدناه قد يؤدي إلى حدوث صدمة كهربائية و/أو نشوب حريق و/أو وقوع إصابة خطيرة.

(ب) لا يُوصى بأداء عمليات، مثل الصنفرة بالرمل والتنظيف بفرشاة الأسلاك والصلق باستخدام هذه الأداة الكهربائية. فقد تؤدي العمليات، التي لم يتم تصميم الأداة الكهربائية للقيام بها، إلى حدوث خطر والتنسب في وقوع إصابة شخصية.

(ج) لا تستخدم الملحقات، التي لم يتم تصميمها والتوصية باستخدامها خصيصاً من قبل الشركة المصنعة للأداة، ولا يمكن ضمان التشغيل الآمن فقط لأنه يمكن توصيل الملحقات بالأداة الكهربائية.

(د) يجب أن تعادل السرعة المقدرة للملحق على الأقل السرعة القصوى المميزة على الأداة الكهربائية. فقد تؤدي الملحقات التي يتم تشغيلها بسرعة أكبر من سرعتها المقدرة إلى انكسارها وتطايرها.

(هـ) يجب أن يكون القطر الخارجي للملحق وسمكه في نطاق تصنيف قدرات الأداة الكهربائية. ولا يمكن حماية الملحقات ذات الأحجام غير الصحيحة أو التحكم فيها بشكل كافٍ.

(و) يجب أن يتوافق التركيب المولب للملحقات مع سن لولب عمود دوران أداة التجليخ. للملحقات المثبتة باستخدام شفاة، يجب أن تلائم فتحة محور الملحق قطر التركيب الموجود بالشفة. قد تتسبب الملحقات غير المتوافقة مع أجهزة التركيب بالأداة الكهربائية في فقدان التوازن واهتزازها بشكل مفرط وعدم التحكم فيها.

(ز) لا تستخدم ملحقاتاً تالفاً. قبل كل استخدام، افحص الملحق، مثل البكرات الكاشطة للرقائق والشقوق، وبطانة دعم للشقوق أو التمزق أو التآكل الزائد، وفرشاة الأسلاك للأسلاك المرتخية أو المتشقة. وفي حالة سقوط الأداة الكهربائية أو الملحق، فافحصه بحثاً عن تلف أو قم بترييب ملحق غير تالف. وبعد فحص أحد الملحقات وترييبه، ابتعد أنت والواقفون بجوارك عن سطح الملحق الدوار، وقم بتشغيل الأداة الكهربائية بسرعة للاحلام القصوى لمدة دقيقة واحدة. وستتحمط الملحقات التالفة بشكل طبيعي أثناء هذا الاختبار.

(ح) ارتد معدات الحماية الشخصية. وحسب التطبيق، استخدم واقي الوجه أو نظارات الواقية أو نظارات السلامة. وحسباً يقتضي الأمر، ارتد قناع الغبار، وواقبات السمع، ومفرز ورشة العمل، والقفازات القادرة على إيقاف الشظايا الكاشطة أو شظايا قطعة العمل الصغيرة. يجب أن يكون واقي العينين قادراً على إيقاف الحطام المتطاير الناتج عن العمليات المختلفة. ويجب أن يكون قناع الغبار أو جهاز التنفس قادراً على فترة الجسيمات الناشئة من العملية. فقد

يتسبب التعرض لضجيج عالٍ جداً لفترة طويلة في فقدان السمع. ط) أبعد الواقفين بجوارك عن منطقة العمل مسافة آمنة. ويجب على كل شخص يدخل منطقة العمل ارتداء معدات الحماية الشخصية. فقد تتطاير شظايا قطعة العمل أو ملحق متحمط بعيداً وتؤدي إلى حدوث إصابة في مكان أبعد من منطقة العملية المباشرة.

(ي) امسك الأداة الكهربائية من الأسطح القابضة المعزولة فقط، عند أداء عملية قد يتلامس فيها ملحق القطع مع أسلاك مغمية أو السلك الخاص بها. فإن ملحق القطع الملامس لسلك "مكهرب" يؤدي إلى "كهربة" الأجزاء المعدنية المكشوفة للأداة الكهربائية، وقد يصيب المشغل بصدمة كهربائية.

(ك) ضع السلك بعيداً عن الملحق الدوار. ففي حالة فقدان السيطرة، قد ينقطع السلك أو يتمزق، وقد يتم سحب يدك أو ذراعك إلى الملحق الدوار.

(ل) لا تضع الأداة الكهربائية على الأرضية حتى يتوقف الملحق عن العمل بشكل كامل. فقد ينتزع الملحق الدوار السطح ويسحب الأداة الكهربائية بشكل يفقدك السيطرة عليها.

(م) لا تقم بتشغيل الأداة الكهربائية أثناء حملها بجانيك. فقد يؤدي التلامس المفاجئ مع الملحق الدوار إلى تمزيق ملابسك، مما يؤدي إلى سحب الملحق إلى جسلك.

(ن) قم بتنظيف فتحات التهوية بالأداة الكهربائية بشكل منتظم. فستسحب مروحة الموتور الغبار إلى داخل المبيت، وقد يؤدي التراكم الزائد للمعدن المسحوق إلى حدوث مخاطر كهربائية.

(س) لا تقم بتشغيل الأداة الكهربائية بالقرب من المواد القابلة للاشتعال. فقد يؤدي الشرر إلى اشتعال هذه المواد. (ع) لا تستخدم الملحقات التي تتطلب مبردات سائلة. فقد يؤدي استخدام المياه أو المبردات السائلة الأخرى إلى القتل بالكهرباء أو صدمة كهربائية.

الارتداد والتحذيرات ذات الصلة

الارتداد هو رد فعل مفاجئ لبكرة دوارة مقروصة أو ممزقة أو بطانة دعم أو فرشاة أو أي ملحق آخر. ويؤدي القرص أو التمزق إلى توقف الملحق الدوار بسرعة، مما يؤدي إلى انفداع الأداة الكهربائية الخارجة عن السيطرة في اتجاه عكس اتجاه دوران الملحق في نقطة الربط. على سبيل المثال، في حالة تمزق بكرة كاشطة أو قرصها بواسطة قطعة العمل، يمكن لحافة البكرة التي تدخل في نقطة القرص الانفداع في سطح المادة، مما يؤدي إلى خروج البكرة أو ارتدادها. وقد تقفز البكرة تجاه المشغل أو بعيداً عنه، وذلك حسب اتجاه حركة البكرة في نقطة القرص. كما قد تتحطم البكرات الكاشطة في هذه الظروف. إن الارتداد ينتج من سوء استخدام الأداة الكهربائية و/أو إجراءات أو ظروف التشغيل غير الصحيحة، ويمكن تجنبه باتخاذ التدابير الاحتياطية المناسبة على النحو المبين أدناه.

(أ) امسك الأداة الكهربائية بإحكام باستمرار، وضع جسمك وذراعك في وضع يتيح لك إمكانية مقاومة قوة الارتداد. واستخدم قبضاً إضافياً دائماً، في حالة توفره، من أجل أقصى سيطرة على الارتداد أو رد فعل عزم الدوران أثناء بدء التشغيل. ويستطيع المشغل التحكم في ردود فعل عزم الدوران أو قوة الارتداد، في حالة اتخاذ التدابير الاحتياطية المناسبة.

(ب) لا تضع يدك أبداً بالقرب من الملحق الدوار. فقد يرتد الملحق على يدك.

(ج) لا تضع جسمك في المنطقة التي ستتحرك فيها الأداة الكهربائية، في حالة حدوث ارتداد. فسيذفع الارتداد الأداة في اتجاه عكس حركة البكرة عند نقطة التمزق.

(د) ابدل عناية خاصة عند العمل في الزوايا والحواف الحادة، إلخ. وتجنب ارتداد الملحق وتمزقه. فإن الزوايا أو الحواف الحادة أو الارتداد يميل إلى تمزيق الملحق الدوار ويسبب فقدان السيطرة أو الارتداد.

هـ) لا تقم بتوصيل شفرة نحت خشب لسلسلة المنشار أو شفرة المنشار المسننة. فإن هذه الشفرات تؤدي إلى حالات ارتداد متكررة وفقدان السيطرة.

تحذيرات السلامة الخاصة بعمليات التجليخ أو القطع الكاشطة.

أ) لا تستخدم سوى أنواع البكرات الموصى بها لأداتك الكهربائية والواقي الخاص المصمم للبكرة المحددة. فالبكرات التي لم يتم تصميم الأداة الكهربائية للاستخدام معها لا يمكن وقايتها بشكل كافٍ وهي غير آمنة.

ب) يجب تركيب سطح تجليخ البكرات الوسطى المضغوطة أسفل سطح حافة الواقي. فإن البكرة المركبة بطريقة غير سليمة والتي تسقط في سطح حافة الواقي لا يمكن حمايتها بشكل كافٍ.

ج) يجب تثبيت الواقي بالأداة الكهربائية بإحكام ووضعه في موضع يحقق الحد الأقصى من الأمان، بحيث ينكشف أقل جزء من البكرة ناحية المشغل. ويساعد الواقي على حماية المشغل من شظايا البكرة المتحطمة، والتلامس المفاجئ مع البكرة والشعر الذي يمكنه إشعال النار في الملابس.

د) يجب ألا يتم استخدام البكرات إلا في التطبيقات الموصى بها. على سبيل المثال: لا تقم بالتجليخ باستخدام جانب بكرة القطع. فبكرات القطع الكاشطة تُستخدم للتجليخ الطرقي، وقد تؤدي القوى الجانبية المبدولة على هذه البكرات إلى تحطيمها.

هـ) استخدم دائمًا شفاة البكرة غير التالفة وذات الحجم والشكل المناسبين في بركتك المختارة. فشفاة البكرة السليمة تدعم البكرة، ومن ثم تقلل من احتمالية انكسار البكرة. وقد تختلف شفاة بكرات القطع عن شفاة بكرات التجليخ.

و) لا تستخدم بكرات متآكلة من أدوات كهربائية أكبر. فإن البكرة المصممة للاستخدام في أداة كهربائية أكبر غير مناسبة للسرعة العالية للأداة الأصغر وقد تنفجر.

تحذيرات السلامة الإضافية الخاصة بعمليات القطع الكاشطة.

لا تكون عمليات القطع مناسبة إلا باستخدام واقي حماية خاص (غير مضمن)



أ) لا "تحشر" بكرة القطع ولا تضغط عليها بشكل مفرط. لا تحاول القيام بعمق قطع زائد. فإن الضغط الزائد على البكرة يزيد من تحميل وتأثر التواء والتصاق البكرة في القطع واحتمال ارتداد البكرة أو انكسارها.

ب) لا تضع جسمك بمحاذاة البكرة الدوارة ولا خلفها. فعند تحرك البكرة - في نقطة التشغيل - بعيدًا عن جسمك، فقد يدفع الارتداد المحتمل البكرة الدوارة والأداة الكهربائية تجاهك مباشرة.

ج) عند التصاق البكرة أو انقطاع عملية قطع لأي سبب، قم بإيقاف تشغيل الأداة الكهربائية وحافظ على ثبات الأداة الكهربائية حتى تتوقف البكرة بشكل كامل. ولا تحاول أبدًا إزالة بكرة القطع من القطع أثناء تحرك البكرة إلا وقد يحدث ارتداد. قم بالفحص واتخاذ إجراء تصحيحي للتخلص من سبب التصاق البكرة.

د) لا تُعيد تشغيل عملية القطع في قطعة العمل. ودع البكرة تصل إلى سرعتها القصوى وأعد إدخال القطعة بعناية. فقد تلتصق البكرة أو تتحرك لأعلى أو تتردد، في حالة إعادة تشغيل الأداة الكهربائية في قطعة العمل.

هـ) ادعم اللوحات أو أي قطعة عمل حجمها زائد للحد من خطر قرص البكرة أو ارتدادها. وتميل قطع العمل الكبيرة للانحناء بفعل وزنها الخاص. يجب وضع دعائم أسفل قطعة العمل بالقرب من خط القطع وبالقرب من حافة قطعة العمل على جانبي البكرة.

و) توخ الحذر البالغ عند إجراء "قطع جببي" في جدران موجودة أو مناطق محجوبة أخرى. فقد تقطع البكرة البارزة أنابيب الغاز أو المياه أو الأسلاك الكهربائية أو الأشياء التي يمكنها أن تسبب ارتدادًا.

السلامة الكهربائية

عند استخدام الآلات الكهربائية، راع دائمًا لوائح السلامة المعمول بها في بلدك للحد من خطر نشوب حريق، وحوادث صدمة كهربائية، وإصابة شخصية. وقرأ تعليمات السلامة التالية وتعليمات السلامة المرفقة كذلك.

تحقق دائمًا من توافق فولتية مصدر الطاقة مع الفولتية الموجودة في ملصق لوحة البيانات الفنية.



الآلة من الفئة الثانية - العزل المزدوج - لذا، فإنك لن تحتاج إلى أي قابس مؤرض.



في حالة عدم تجنب تشغيل أداة كهربائية في موقع رطب، فاستخدم مصدر إمداد محمي بجهاز قاطع الدورة (RCD). فإن استخدام جهاز قاطع الدورة يقلل من خطر الصدمة الكهربائية.

2. معلومات الآلة

الاستخدام المقصود

لقد تم تصميم أداة تجليخ الزوايا لتجليخ مواد البناء والمواد الصلبة دون استخدام المياه. وبالنسبة للقطع، يجب استخدام واقي حماية خاص (غير مضمن)

المواصفات الفنية

رقم الطراز	AGM1110P	AGM1112P	AGM1114P
سـتـلـوـف	220-240		
جهد التيار الرئيسي	220-240		
تردد التيار الرئيسي	50/60		
مدخلات الطاقة	تاو 710		
السرعة المقدره	تقريباً 11.000/د		
قرص بكرة التجليخ			
القطر	100 مم	115 مم	125 مم
الفتحة	16 مم	22 مم	22 مم
سن لولب عمود الدوران	M10	M14	M14
الوزن	مجمك 1.98	مجمك 2	مجمك 2.05
(L _{PR})	مستوى ضغط الصوت	86.4	3 +
(L _{WA})	مستوى الطاقة الصوتية	97.4	3 +
a _{HAG}	اهتزاز "سطح التجليخ"	6.334	1.5 +

رقم الطراز	AGM1111P AGM1113P AGM1115P
جهد التيار الرئيسي	س٢٢٠-240 فولت
تردد التيار الرئيسي	زتره 50/60
مدخلات الطاقة	٨50 وات
السرعة المقدره	١1.000/دق في دل/٠ N ₀
قرص بكرة التجليخ	
القطر	100 مم 115 مم 125 مم
الفتحة	16 مم 22 مم 22 مم
سن لولب عمود الدوران	M10 M14 M14
الوزن	1.98 ج ك 2.05 ج ك 2.05 ج ك
(L _{PA}) مستوى ضغط الصوت	86.4 + 3 (أ) لبيسيد
(L _{WA}) مستوى الطاقة الصوتية	97.4 + 3 (أ) لبيسيد
a _{n,AG} اهتزاز "سطح التجليخ"	6.334 + 1.5 تحت/م

مستوى الاهتزاز

لقد تم قياس مستوى انبعاث الاهتزاز المذكور في دليل التعليمات هذا وفقاً لاختبار موحد وارد في EN 60745، ويمكن استخدامه لمقارنة آلة واحدة مع أخرى وكتيجة لتقييم أولي للتعرض للاهتزاز عند استخدام الآلة في التطبيقات المذكورة

- إن استخدام الآلة في تطبيقات مختلفة، أو مع ملحقات مختلفة أو تتم صيانتها بشكل ضعيف، قد يزيد بشكل كبير من مستوى التعرض التي يتم خلالها إيقاف تشغيل الأداة أو عند تشغيلها ولكن دون أداء المهمة بالفعل قد يقل بشكل كبير من مستوى التعرض.

احم نفسك من آثار الاهتزاز من خلال صيانة الأداة وملحقاتها، والحفاظ على دفء يديك، وتنظيم أتماط العمل الخاص بك.

الوصف

تشير الأرقام الواردة في النص إلى الأشكال الموجودة في الصفحات

الشكل أ

1. زر قفل عمود الدوران
2. مفتاح التشغيل/إيقاف التشغيل
3. وافي الحماية

الشكل ب

8. عمود الدوران
9. شفة التركيب
10. قرص البكرة (غير مضمن)
11. صمولة التثبيت
12. مفتاح الربط
13. المقبض الجانبي

التجميع

قبل التجميع، أوقف دائماً تشغيل الماكينة، وقم بإزالة قابس مأخذ الطاقة الرئيسي من مأخذ الطاقة الرئيسي.



تجميع وافي الحماية (الشكل أ - ب)

- ضع الآلة فوق طاولة مع توجيه عمود الدوران (٨) لأعلى.
- ضع وافي الحماية (٣) فوق رأس الآلة كما هو مبين في الشكل ب مع التأكد من إسقاط نتوءات وافي الحماية في فتحات رأس الآلة.
- ضع وافي الحماية في عكس اتجاه عقارب الساعة وثبت الوافي بإحكام ربط البراغي (٤١).

لا تحاول أبداً إزالة الوافي.



تركيب قرص البكرة وإزالته (الشكل ب)

- استخدم دائماً قرص بكرة مناسباً لهذه الآلة بقطر ٥١١ / ٥١١ مم وتجويف يبدأ من ٦١ / ٢٢ / ٢٢ مم، ويجب أن يبلغ سمك قرص بكرة التجليخ ٦ مم وسمك قرص بكرة القطع ٣ مم، وأثناء التركيب، يجب ألا يلامس قرص البكرة وافي السلامة.

التركيب

- ضع الآلة فوق طاولة مع توجيه وافي الحماية (٣) لأعلى.
- قم بتركيب الشفة (٩) في عمود الدوران (٨).
- ضع قرص البكرة (١٠) على عمود الدوران (٨).
- اضغط باستمرار على زر قفل عمود الدوران (١)، وأحكام ربط صمولة التثبيت (١١) في عمود الدوران (٨) باستخدام مفتاح الربط (٢١).

الإزالة

- ضع الآلة فوق طاولة مع توجيه وافي الحماية (٣) لأعلى.
- اضغط باستمرار على زر قفل عمود الدوران (١)، وقم بفك صمولة التثبيت (١١) باستخدام مفتاح الربط (٢١).
- قم بإزالة قرص البكرة (١٠) من عمود الدوران (٨).
- اضغط باستمرار على زر قفل عمود الدوران (١)، وأحكام ربط صمولة التثبيت (١١) باستخدام مفتاح الربط (٢١).

3. التشغيل

تأكد من دعم قطعة العمل أو تثبيتها بشكل سليم، وابعد توجيه سلك الإمداد عن منطقة العمل.



التشغيل وإيقاف التشغيل (الشكل أ)

- لتشغيل الآلة، حرر مفتاح التشغيل/إيقاف التشغيل (٢).
- لإيقاف تشغيل الآلة، حرر مفتاح التشغيل/إيقاف التشغيل (٢). وابعد الآلة عن قطعة العمل عند تشغيلها أو إيقاف تشغيلها، لأن قرص البكرة قد يُتلف قطعة العمل.
- قم بتثبيت قطعة العمل بإحكام أو استخدم طريقة أخرى لضمان عدم تحركها أثناء العمل.
- افحص الأفراس بصفة منتظمة. فإن أفراس البكرات المتآكلة تترك أثرًا سلبيًا على كفاءة الآلة. وقم بالتغيير لقرص بكرة جديد في الوقت المناسب.
- أوقف دائماً وأولاً تشغيل الآلة بعد الاستخدام قبل إزالة القابس من المقبس.

التعيم (الشكل ج)

ستعطي زاوية الميل التي تتراوح ما بين 0.3 و 0.4 درجة أفضل النتائج عند التعيم. وحرك الآلة للخلف والإمام باستخدام الضغط الخفيف. سيمنع هذا الإجراء تغيير لون قطعة العمل أو ارتفاع درجة حرارتها بشكل مفرط، ويُجنب نشوء الغيصات.



لا تستخدم أبدًا أقراص القطع الكاشطة في أعمال التعيم!

القطع (الشكل د)

وبالنسبة للقطع، يجب استخدام وافي حماية خاص (غير مضمن). وحافظ على التلامس المحكم مع قطعة العمل لمنع الاهتزاز، ولا تقم بالإمالة أو الضغط عند القطع. واضغط ضغطًا متوسطًا عند العمل، وبما يتناسب مع المادة التي يتم العمل عليها. ولا تقم بإبطاء سرعة أقراص البكرات عن طريق استخدام الضغط العكسي من الجانبين. إن الاتجاه الذي ترغب في القطع فيه يُعد أمرًا مهمًا. فيجب أن تعمل الآلة دائمًا في ضد اتجاه القطع، لذا لا تحرك الآلة في الاتجاه الأخرى وهناك خطر أن تعلق الآلة في القطعة مما يسبب ارتدادًا وستفقد سيطرتك عليها.

تلميحات للاستخدام الأمثل

- قم بتثبيت قطعة العمل. واستخدم جهاز تثبيت لقطع العمل الصغيرة.
- امسك الآلة بكلتا يديك.
- قم بتشغيل الماكينة.
- انتظر حتى تبلغ الماكينة سرعتها القصوى.
- ضع قرص البكرة على قطعة العمل.
- حرك الآلة ببطء بمحاذاة قطعة العمل، مع الضغط بإحكام على قرص البكرة ضد قطعة العمل.
- لا تضغط على الماكينة بشكل أكبر من اللازم. دع الماكينة تقوم بالعمل.
- قم بإيقاف تشغيل الماكينة وانتظر حتى تتوقف تمامًا قبل وضع الماكينة على الأرض.

4. الصيانة

استبدال قابس مأخذ الطاقة الرئيسي (المملكة المتحدة فقط)

في حالة تلف القابس المشكل وثلاثي الأسنان والمتصل بالوحدة والحاجة إلى استبداله، فمن المهم تدميره بشكل صحيح واستبداله بقابس منصهر BS 1363/7A معتمد واتباع تعليمات مد التوصيلات السلوكية التالية. ويتم تلوين الأسلاك في كبل التيار الرئيسي وفقًا للرمز التالي:

- أزرق محايد
- بني مكهرب نظرًا لأن ألوان الأسلاك في كبل التيار الرئيسي للوحدة قد لا تتوافق مع العلامات الملونة التي تحدد الأطراف في القابس، فقم بالإجراء على النحو التالي:
- السلك الملون بالأزرق بالطرف المميز بالحرف N أو الملون بالأصود.
- السلك الملون بالبني بالطرف المميز بالحرف L أو الملون بالأحمر.

قبل التنظيف والصيانة، قم دائمًا بإيقاف تشغيل الماكينة، وقم بإزالة قابس مأخذ الطاقة الرئيسي من مأخذ الطاقة الرئيسي.



قم بتنظيف أغلبية الآلة باستخدام قطعة قماش ناعمة بصفة منتظمة، ويُفضل أن يتم ذلك بعد كل استخدام. وتأكد من خلو فتحات التهوية من الأتربة والأوساخ. وقم بإزالة الأوساخ العنيدة جدًا باستخدام قطعة قماش ناعمة مغموسة في رغو الصابون. لا تستخدم أي مذيبات، مثل البنزين والكحول والأمونيا وغيرها. فإن مثل هذه المواد الكيميائية ستؤدي إلى تلف المكونات الاصطناعية.

استبدال أسلاك الطاقة

في حالة تلف سلك الإمداد، فيجب استبداله من قبل الشركة المصنعة أو وكيل خدماتها أو أشخاص مؤهلين مماثلين لتجنب المخاطر.

فحص فرش الكربون واستبدالها

وفي حالة تآكل فرش الكربون، ستبدأ الماكينة في العمل بشكل غير متساوٍ.

فرشاة الكربون

في حالة تآكل فرش الكربون، فيجب استبدالها من قبل إدارة خدمة العملاء التابعة للشركة المصنعة أو شخص مؤهل مماثل.



لا تستخدم سوى النوع الأصلي المناسب من فرش الكربون.

البيئة

يجب تجميع الأجهزة الكهربائية أو الإلكترونية المعيبة و/أو المهملة في مواقع إعادة التدوير المناسبة.



لبدان الاتحاد الأوروبي فقط

لا تتخلص من الأدوات الكهربائية في النفايات المنزلية. ووفقًا للتوجيه الأوروبي EC/2012/19 بخصوص نفايات المعدات الكهربائية والإلكترونية وتلقيدها في حق وطني، يجب جمع الأدوات الكهربائية التي لم تعد صالحة للاستعمال بشكل منفصل والتخلص منها بطريقة صديقة للبيئة.

الضمان

يمكن العثور على شروط الضمان في بطاقة الضمان المرفقة بشكل منفصل.

المنتج ودليل المستخدم عرضة للتغيير. ويمكن تغيير المواصفات دون إشعار آخر.

АГОЛНА БРУСИЛКА

AGM1110P 710W 100mm

AGM1111P 850W 100mm

AGM1112P 710W 115mm

AGM1113P 850W 115mm

AGM1114P 710W 125mm

AGM1115P 850W 125mm

Благодариме за купувањето на овој FERM производ. Со тоа имате одличен производ, испорачан од еден од водечките добавувачи во Европа. Сите производи доставени од страна на FERM се произведени според највисоките стандарди на перформанси и безбедност. Како дел од нашата филозофија обезбедуваме одлична услуга за клиентите, со врвна сеопфатна гаранција.

Се надеваме дека ќе уживате користејќи го овој производ многу наредни години.

1. БЕЗБЕДНОСНИ УПАТСТВА



Прочитајте ги приложените, дополнителните безбедносни предупредувања и упатствата.

Погрешното следење на безбедносните преупредувања и упатствата може да доведе до струен удар, пожар и/или тешки повреди.

Чувајте ги безбедносните преупредувања и упатствата за да можете повторно да ги прочитате.

Следните симболи се користат во упатствата или на производот:



Прочитај го упатството.



Означува ризик од повреда, губење на живот или оштетување на алатот во случај на непочитување на упатствата.



Ризик од струен удар



Веднаш извадете ја приклучницата од струја ако кабелот е оштетен како и за време на чистење и одржување.



Ризик од разлетани објекти.
Присутните лица да се подалеку од работната област



Секогаш носете заштита за очите!
Носете заштита за слухот.



Носете заштитни ракавици.



Не го притискајте забравникот за вретено додека моторот работи.



Ризик од пожар.



Не го депонирајте производот во несоодветни садови.



Производот е во согласност со важечките стандарди за безбедност во Европските смерници.

Безбедносни предупредувања заеднички за брусење или абразивни сечења:

- Овој електричен алат е наменет за брусење. Прочитајте ги сите безбедносни предупредувања, упатствата, илустрации и технички податоци за овој електричен алат. Ако не се придржувате кон дадените упатства, кои е се наведени подолу, постои опасност да предизвикате струен удар, пожар и/или тешки повреди.
- Операции како што се пескарење, работа со жичана четка, полирање не се препорачуваат да се изведуваат со овој електричен алат. Операциите кои не се предвидени за овој алат предизвикуваат опасност од повреди.
- Не користете прибор кој не е произведен и препорачан од страна на производителот на алатот. Дури и кога приборот ќе биде прицврстен на алатот не постои гаранција за безбедно работење.
- Номиналната брзина на приборот мора да одговара на max. брзина означена

- на алатот. Прибор кој работи побрзо од номиналниот број на вртежи, може да се скрши и да се распрска во околината.
- e) **Надворешниот пречник и дебелината на приборот мора да бидат во рамките на капацитетот на алатот.** Несоодветна големина на приборот неможе адекватно да се заштити и да се контролира.
- f) **Навојот на монтажниот прибор мора да одговара на навојот на вретеното на брусилката.** За прибор кој се монтира со прирабници, отворот на насадот мора да одговара на пречникот на прирабницата. Прибор кој не се совпаѓа со монтажната геометрија на алатот ќе биде небалансиран, интензивно ќе вибрира и може да предизвика губење на контрола.
- g) **Не користете оштетен прибор.** Пред секое користење проверете го приборот, како нпр., брусната плоча да нема пукнатини, подложното перниче да нема пукнатини или да не е изабено, жичаната четка да не е искубана или да нема искршени влакна. Ако електричниот алат или приборот паднал, проверете ги можните оштетувања или ставете неоштетен прибор. После проверката и ставањето на приборот, ракувачот и другите присутни да не стојат во рамнината на ротирањето на приборот и електричниот алат да се пушти да работи без оптеретување околу 1 min. Оштетен прибор ќе се распадне за ова време.
- h) **Носете опрема за лична заштитна.** Според видот на работата, користете заштита за лицето, ракавици или заштитни очила. Носете маска за прашина, заштита за слухот, ракавици и облека која штити од мали отпадоци од брусење или од струшка. Заштитата за очите мора да биде во состојба да ги сопре разлетаните делови настанати при работа. Маската за прашина мора да биде во состојба да штити од прашина настаната при работа. Кога сте изложени на долготрајна бучава носете заштита за слухот.
- i) **Присутните да бидат оддалечени од работниот простор.** Секој кој влегува во работниот простор мора да носи заштитна опрема. Отпадоците од работното парче или од скршениот прибор може да се разлетаат и да предизвикаат повреди.
- j) **Држете го електричниот алат за изолирани дршки, ако се изведуваат работи кај кои резниот алат може да дојде во контакт со скриени жици или со сопствен кабел.** Со пресекување на „жива“ жица и металните делови од електричниот алат стануваат „живи“ и ќе предизвикаат струен удар кај ракувачот.
- k) **Кабелот да е подалеку од вртливиот прибор.** Ако ја изгубите контролата врз алатот, можете да го пресечете или да го зафатите кабелот и рацете да ви бидат зафатени од вртливиот прибор.
- l) **Алатот да не го одложувате додека приборот не престане да се врти.** Вртливиот прибор може да дојде во контакт со површината на која се одложува и ќе се изгуби контрола врз алатот.
- m) **Алатот не смее да работи кога се пренесува.** Со случаен допир со приборот ќе ви се зафати облеката и ќе се повредите.
- n) **Редовно четете ги отворите за вентилација.** Вентилаторот вовлекува прашина и при големи наслаг на метална прашина може да дојде до куса врска.
- o) **Не работете со алатот во близина на запаливи материјали.** Искрите можат да ги запалат овие материјали.
- p) **Не користете прибор за кој треба разладно средство.** Користење на вода или разладно средство ќе предизвика струен удар.

Причини за повратен удар и предупредувања

Повратен удар е моментна реакција на заклинета ротирачка брусна плоча, подложно перниче, четката или друг прибор. При заклинување доаѓа до брзо сопирање на ротирачкиот прибор и на тој начин електричниот алат се задвижува во спротивна насока од ротирањето, во точката на допирот. На пример, ако брусниот диск се заклин во работно парче, работ од дискот кој навлегол во точката на заклинувањето може да ја копа површината од материјалот што предизвикува дискот да се качи или да отскокне. Тој може да отскокне кон или од ракувачот, во зависност од насоката на движењето во точката на заклинувањето. Дискот може да се скрши во оваа состојба. Повратниот удар е резултат на

погрешно ракување со електричниот алат и/или при неправилна работна постапка или состојба, а може да се избегне со придржување кон подолу опишаните мерки.

- a) **Цврсто држете ја рачката од алатот и телото и рацете да ви бидат во положба да го одбијат повратниот удар.** Секогаш користете ја дополнителната рачка, ако ја има, за максимална контрола при повратен удар или торзиона реакција за време на стартувањето. Ракувачот може да го контролира повратниот удар ако се превземни соодветни мерки.
- b) **Не ги поставувајте рацете во близина на ротирачкиот прибор.** Приборот може да отскокне во вашите раце.
- c) **Не стоите во областа во која алатот би отскокнал при повратен удар.** Повратниот удар го турка алатот во насока обратна од движењето на дискот во точката на заклининувањето.
- d) **Бидете внимателни кога работите кошиња, остри рабови итн.** Избегнувајте скокање и заклининување на опремата. Кошињата и острите рабови имаат тенденција да го заклнат вртливиот прибор и да предизвикаат повратен удар.
- e) **Не поставувајте верижни листови или назабени листови за пила.** Тие создаваат чести повратни удари и губење на контрола.

Предупредувања за безбедност карактеристични за брусење и отсекување:

- a) **Користете ги дисковите кои се препорачуваат за вашиот електричен алат и посебно конструирани браници за избраните дискови.** Дискови кои не се наменети за овој алат нема да можат адекватно да се заштитат со браник и се небезбедни.
- b) **Брусната површина на дисковите со пресован центар мора да биде монтирана испод рамнината на браникот.** Неправилно монтиран диск, кој ја надминува рамнината на браникот, неможе да биде соодветно заштитен.
- c) **Браникот мора да биде сигурно поврзан и безбедно поставен на електричниот алат, така најмалиот дел од дискот да биде**

изложен кон ракувачот. Браникот помага во заштита на ракувачот од скршени делови од дискот, случаен контакт со дискот и од искри кои можат да ја запалат облеката

- d) **Дискот да се применува само за соодветна работа.** На пример: не брусете со страната од дискот. Дисковите за отсекување се наменети за периферно брусење, страничните сили можат да ги искршат овие дискови.
- e) **Секогаш да користите неоштетени прирабници на дискот, со коректна големина и облик за избраниот диск.** Соодветни прирабници на дискот го поддржуваат дискот со што се намалува можноста дискот да се скрши. Прирабниците за дисковите за отсекување можат да се разликуваат од прирабниците за дисковите за брусење.
- f) **Не користете истрошени дискови од поголеми електрични алати.** Дискови кои се наменети за поголеми електрични алати не се погодни за поголеми брзини кај помалите електрични алати.

Дополнителни предупредувања за безбедност карактеристични за абразивни отсекувања



Отсекувањата се применливи само со посебен браник (не е вклучен)

- a) **Немојте да го „заглавувате“ дискот за отсекување или да применувате голем притисок. Не се обидувајте да правите длабоки резови.** Преоптеретувањето на дискот го зголемува напрегањето и чувствителноста на осцилирање или извивање на дискот, а со тоа и можноста за повратен удар или кршење на дискот.
- b) **Немојте да стоите во линијата на дискот кој ротира.** Кога дискот, во точката на сечење, се движи од вашето тело, можниот повратен удар ќе го насочи вртливиот диск директно кон вас.
- c) **Кога дискот се лепи или прави испрекинатото сечење, од било која причина, исклучете го електричниот алат и држете го без движење, додека тркалото целосно не се сопре.** Не се обидувајте да го извадите дискот од зафат додека е во

движење, зашто може да дојде до повратен удар. Испитајте и превземете соодветни мерки за отклонување на причината за лепење на дискот.

- d) **Не ја повторувајте операцијата со диск поставен во работно парче.** Почекајте дискот да ја постигне max. брзина и внимателно повторете го резот. Дискот може да лепи, да се качува нагоре или да предизвика повратен удар ако алатот се стартува во работното парче.
- e) **Потпрете ги плочите или големите парчиња за да го намалите ризикот од заклинување или од повратен удар.** Големите парчиња имаат тенденција да се виткаат од сопствена тежина. Потпорите мора да се постават под парчето, во близина на линијата на сечењето и работ од парчето, од двете страни од дискот.
- f) **Бидете посебно внимателни при „нурнување“ во сидови или други површини.** Дискот може да исече цевки за вода, гас, електрична инсталација или објекти, што може да предизвика повратен удар.

Електрична безбедност

При користење на електрични машини почитувајте ги безбедносните правила во вашата земја, за да го намалите ризикот од пожар, струен удар и повреди. Прочитајте ги следните безбедносни упатства и приложените безбедносни упатства.



Секогаш проверувајте дали напонот на напојувањето одговара на наведениот напон на плочката.



Класа на машина II- Двојна изолација - Не ви е потребен приклучок за заземјување.

Ако не може да се избегне работење со електричниот алат во влажна средина, користете резидуален моментен уред (RCD) со заштитен напон. Користење на RCD го намалува ризикот од струен удар.

2. ИНФОРМАЦИЈА ЗА МАШИНАТА

Намена

Вашата аголна брусилка е конструирана за брусење на бетон и челични материјали, без користење на вода. За сечење, мора да се користи посебен браник (не е вклучен).

Технички податоци

Модел бр.	AGM1110P	AGM1112P	AGM1114P
Мрежен напон	220-240 V~		
Номинална фреквенција	50/60 Hz		
Влезна моќност	710 W		
Номинална брзина	N ₀ 11.000/min		
Брусен диск			
Дијаметар	100 mm	115 mm	125 mm
Насаден отвор	16 mm	22 mm	22 mm
Навој на вретено	M10	M14	M14
Тежина	1.98 kg	2 kg	2.05 kg
Звучен притисок (L _{рп})	86.4 + 3 dB(A)		
Акустична моќност (L _{вн})	97.4 + 3 dB(A)		
Вибрации „брусење на површини“	6.334 + 1.5 m/s ²		

Модел бр.	AGM1111P	AGM1113P	AGM1115P
Мрежен напон	220-240 V~		
Номинална фреквенција	50/60 Hz		
Влезна моќност	850 W		
Номинална брзина	N ₀ 11.000/min		
Брусен диск			
Дијаметар	100 mm	115 mm	125 mm
Насаден отвор	16 mm	22 mm	22 mm
Навој на вретено	M10	M14	M14
Тежина	1.98 kg	2 kg	2.05 kg
Звучен притисок (L _{рп})	86.4 + 3 dB(A)		
Акустична моќност (L _{вн})	97.4 + 3 dB(A)		
Вибрации „брусење на површини“	6.334 + 1.5 m/s ²		

Ниво на вибрации

Нивото на емисијата на вибрациите, наведено во упатството, е измерено во согласност со стандардизирани тест дадени во EN 60745; тој може да се користи за споредување на еден алат со друг како и за прелиминарна процена на изложеност на вибрации при користење на алатот во споменатите апликации

- користењето на алатот за различни апликации или со различни или слабо одржуван прибор, може значително да го зголеми нивото на изложеност
- времето кога алатот е исклучен или кога работи но не ја врши работата, може значително да го намали нивото на изложеност.

Заштитете се од ефектите на вибрациите со одржување на алатот и приборот, рацете да ви бидат топли и организирајте ги работните навики.

Опис

Броевите во текстот се однесуваат на дијаграмите на стр. 2-3.

Сл. А

1. Копче за забравување на вретено
2. Оп/Off прекинувач
3. Браник

Сл. В

8. Вретено
9. Монтажна прирабница
10. Брусен диск (не е вклучен)
11. Стезна навртка
12. Клуч
13. Странична дршка

Монтажа



Пред монтажа исклучете ја машината и извадете го приклучокот од главниот напон.

Монтирање на браникот

(Сл. А и В)

- Поставете ја машината врз маса со вретено (8) свртено нагоре.
- Ставете го браникот (3) врз главата на машината, според сл. В внимавајќи испустите од браникот да навлезат во

жлебовите на главата на машина.

- Свртете го браникот на лево и осигурајте го со стегање на завртката (14).



Никогаш не го отстранувајте браникот.

Монтирање и отстранување на дискот (сл. В)

- Користете соодветен диск за оваа машина, со дијаметар \varnothing 100 / 115 / 125 mm и насад од 16 / 22 / 22 mm, дебелина на диск за брусење треба да биде 6 mm, а за диск за сечење 3 mm, монтираниот диск не смее да го допира браникот.

Монтажа

- Поставете ја машината врз маса, со браник (3) свртен нагоре.
- Монтирајте ја прирабницата (9) врз вретеното (8).
- Ставете го дискот (10) на вретено (8).
- Држете го притиснато копчето за забравување на вретеното (1) и цврсто стегнете ја навртката (11) на вретено (8), со помош на клуч (12).

Отстранување

- Поставете ја машината врз маса, со браник (3) свртен нагоре.
- Држете го притиснато копчето за забравување на вретеното (1) и отстегнете ја навртката (11) со помош на клуч (12).
- Отстранете го дискот (10) од вретено (8).
- Држете го притиснато копчето за забравување на вретеното (1) и стегнете ја навртката (11) со помош на клуч (12).

3. РАКУВАЊЕ



Работното парче да е соодветно потпрено или стегнато и кабелот да е подалеку од работната област.

Вклучување и исклучување (Сл. А)

- За вклучување на машината, притиснете го Оп/Off прекинувачот (2).
- За исклучување, отпуштете го Оп/Off прекинувачот (2).

Држете ја машината подалеку од работното парче, кога ја вклучувате и исклучувате, зашто дискот може да го оштети парчето.

- Цврсто стегнато го работното парче или користете друг начин за стегање на парчето, за да не се помести во тек на работа.
- Редовно проверувајте го дискот. Истапените дискови имаат лош ефект врз ефикасноста на машината. Сменете го дискот во вистинско време.
- Секогаш да ја исклучите машината после користење, пред да го извлечете кабелот од мрежата.

Оборување на рабови (сл. С)

Под агол од 30° до 40° го добивате најдобрите резултати за оборување на рабови. Движете ја машината назад и напред, со мал притисок. Ова ќе го спречи обезбојувањето или загревањето на парчето и ќе се избегне правење на жлебови.



Не користете дискови за сечење за оборување на рабови!

Сечење (сл. D)

За сечење, мора да се користи посебен браник (не е вклучен).

Одржувајте цврст контакт со парчето за спречување на вибрации и не навалувајте или не притискајте кога сечете. Користете умерен притисок при работа, соодветен на материјалот кој се обработува. Не го забавувајте дискот со примена на страничен притисок. Насоката на сечењето е важна.

Машината секогаш да работи наспроти насоката на сечењето; никогаш да не ја движите машината во друга насока! Постои ризик машината да се заглави предизвикувајќи повратен удар и губење на контрола.

Совети за оптимално користење

- Стегнете го работното парче. Користете стеги за мали парчиња.
- Држете ја машината со две раце.
- Вклучете ја машината.
- Почекајте машината да достигне полна брзина.
- Поставете го дискот врз работното парче.
- Полека движете ја машината по должината на парчето, цврсто притискајќи го дискот врз парчето.
- Не притискајте премногу врз машината. Оставете машината да ја заврши работата.

- Исклучете ја машината и почекајте целосно да се сопре, пред да ја одложите.

4. ОДРЖУВАЊЕ

Замена на мрежен приклучок (само за ВБ)

Ако 3-полниот приклучок приклучен во единицата е оштетен и треба да се замени, важно е прописно да се уништи и да се замени со одобрен од страна на BS 1363/7A осигурителен приклучок и дека се запазени следните упатства за ожичување.

Жиците во мрежниот кабел се обоени во согласност со следниов код:

- сина неутрална
- кафеава жива

Бидејќи боите на жиците во мрежниот кабел не одговараат на обоените ознаки за идентификација на терминалите во приклучокот, постапете на следниот начин:

- Жицата со сина боја мора да се поврзе со терминалот што е означен со буквата N или е со црна боја.
- Жицата со кафеава боја да се поврзе со терминалот што е означен со буквата L или е со црвена боја.



Пред чистење и одржување исклучете ја машината и извадете го приклучокот од главниот напон.

Редовно чистете го куќиштето со мекана крпа, по можност после секое користење. Отворите за вентилација да бидат ослободени од прашина и нечистотија. Отстранете ја нечистотијата со мекана крпа, навлажнета со сапуница. Не користете растворувачи како што е бензин, алкохол, амонијак, и др. хемикалии, зашто тие ќе ги оштетат синтетичките компоненти.

Заменете го кабелот

Ако кабелот е оштетен, тој мора да се замени од страна на производителот, неговиот овластен сервис или од квалификувано лице, за да се избегнат опасности.

Проверка и замена на јаглени четкички.

Ако четкичките се истрошени, машината ќе работи нерамномерно.

Јаглени четкички

Ако јаглените четкички се истрошени, мора да ги замени одделот за сервис за клиенти или квалификувано лице.



Користете само точни оригинални четкички.

ОКОЛИНА

Дефектни и/или отфрлени електрични или електронски апарати треба да се собираат на соодветни локации за рециклирање.

Само за земји од ЕУ

Не ги депонирајте алатите во домашен отпад. Според Европското Упатство 2012/19/ ЕУ за отпадна електрична и електронска опрема и неговата имплементација во националното право, електричните алати кои веќе не се употребливи мораат да се собираат одделно и да се отстрануваат на еколошки начин.

ГАРАНЦИЈА

Гарантните условите се дадени во посебна гарантна картичка.

Производот и упатството се предмет на промена. Карактеристиките можат да се променат без натамошно известување.

MÁY MÀÌ GÓC

AGM1110P 710W 100mm

AGM1111P 850W 100mm

AGM1112P 710W 115mm

AGM1113P 850W 115mm

AGM1114P 710W 125mm

AGM1115P 850W 125mm

Cảm ơn bạn đã mua sản phẩm FERM này. Như vậy, bạn hiện đã có một sản phẩm tuyệt vời được cung cấp bởi một trong những nhà cung cấp hàng đầu Châu Âu. Tất cả các sản phẩm được FERM cung cấp cho bạn được sản xuất theo tiêu chuẩn cao nhất về hiệu suất và an toàn. Là một phần của triết lý của chúng tôi, chúng tôi cũng cung cấp dịch vụ khách hàng tuyệt vời được hỗ trợ bởi chính sách Bảo hành toàn diện của chúng tôi. Chúng tôi hy vọng bạn sẽ thích sử dụng sản phẩm này trong nhiều năm tới.

1. NHỮNG CHỈ DẪN AN TOÀN

Đọc các cảnh báo an toàn kèm theo, các cảnh báo an toàn và hướng dẫn bổ sung. Việc không tuân theo các cảnh

báo an toàn và các hướng dẫn có thể dẫn đến điện giật, hỏa hoạn và/hoặc thương tích nghiêm trọng. Hãy giữ tất cả các cảnh báo an toàn và hướng dẫn để tham khảo về sau.

Các ký hiệu sau đây được sử dụng trong hướng dẫn sử dụng hoặc trên sản phẩm:



Đọc hướng dẫn sử dụng.



Biểu thị nguy cơ thương tích cá nhân, thiệt hại về người hoặc hư hỏng dụng cụ trong trường hợp không tuân thủ các hướng dẫn trong sách hướng dẫn này.



Nguy cơ điện giật



Ngay lập tức rút phích cắm ra khỏi nguồn điện nếu cáp lưới điện bị hư hỏng và trong thời gian làm sạch và bảo dưỡng.



Đảm bảo những người không có phận sự ở xa máy.





Luôn đeo kính bảo vệ mắt!
Sử dụng thiết bị bảo vệ tai.



Đeo găng tay an toàn.



Không nhấn vào nút khóa trục chính
trong khi động cơ đang chạy.



Nguy cơ cháy.



Không vứt bỏ sản phẩm trong các thùng
chứa không thích hợp.



Sản phẩm rất phù hợp với các tiêu chuẩn
an toàn áp dụng trong các thị trường châu Âu.

Cảnh báo an toàn chung cho các hoạt động mài hoặc mài cắt đứt:

- a) **Dụng cụ điện này được chế tạo với chức năng như dụng cụ mài. Đọc tất cả các cảnh báo an toàn, hướng dẫn, minh họa và thông số kỹ thuật được cung cấp với dụng cụ điện này. Việc không tuân theo mọi hướng dẫn được liệt kê bên dưới có thể gây điện giật, cháy, và/hoặc chấn thương nghiêm trọng.**
- b) **Không được sử dụng dụng cụ điện này cho các hoạt động như chà nhám, đánh bóng bằng bàn chải sắt hoặc đánh bóng. Các hoạt động vốn không thuộc chức năng thiết kế của dụng cụ có thể gây nguy hiểm và dẫn đến chấn thương cá nhân.**
- c) **Không sử dụng các phụ tùng không được thiết kế chuyên biệt và không được nhà sản xuất khuyến dùng. Phụ tùng cho dù có thể lắp khít vào dụng cụ điện cũng không có nghĩa là nó sẽ hoạt động an toàn.**
- d) **Tốc độ định mức của thiết bị phải bằng hoặc lớn hơn tốc độ tối đa ghi trên dụng cụ điện. Thiết bị có thể bị vỡ và văng xa nếu chạy nhanh hơn tốc độ định mức của chúng.**
- e) **Đường kính bên ngoài và độ dày của dụng cụ của bạn phải nằm trong mức tính toán công suất của dụng cụ điện. Các dụng cụ có kích thước không phù hợp không thể được bảo vệ hoặc kiểm soát đầy đủ.**
- f) **Lắp ráp ren của phụ tùng phải khớp với đường ren trục chính máy mài. Đối với những phụ tùng được lắp ráp bằng mặt bích, lỗ trục chính của phụ tùng phải vừa khít với đường kính vị trí mặt bích. Các phụ tùng có lỗ trục chính không khớp với phần cứng lắp ráp của dụng cụ điện sẽ khiến dụng cụ mất cân bằng, rung quá mức và có thể gây mất kiểm soát.**
- g) **Không sử dụng phụ tùng đã hỏng. Trước mỗi lần sử dụng phải kiểm tra lại phụ tùng, chẳng hạn như xem bánh mài có mảnh vụn và vết nứt không, tấm đỡ có vết nứt, rách hay mòn quá mức không, chổi kim loại có bị lỏng hoặc bị đứt dây không. Nếu làm rớt dụng cụ điện hay phụ tùng, hãy kiểm tra xem máy có bị hư hỏng không, hoặc lắp phụ tùng còn nguyên vào. Sau khi kiểm tra và lắp ráp phụ tùng, bạn và những người xung quanh nên tránh xa mặt phẳng quay của phụ tùng và bật máy ở tốc độ không tải tối đa trong vòng một phút. Phụ tùng hư hỏng thường bị vỡ thành từng mảnh trong thời gian chạy thử này.**
- h) **Mặc thiết bị bảo hộ cá nhân. Tùy thuộc vào từng loại công việc mà sử dụng mặt nạ, kính bảo hộ hoặc kính an toàn. Khi thích hợp, mang khẩu trang, thiết bị bảo vệ tay, găng tay và tấm chắn trong xưởng có khả năng chặn các mảnh vỡ bị mòn hoặc phôi nhỏ. Dụng cụ bảo vệ mắt phải có khả năng ngăn mảnh vỡ bay ra từ nhiều loại hoạt động khác nhau. Mặt nạ hoặc khẩu trang chống bụi phải có khả năng lọc các hạt nhỏ phát sinh từ quá trình vận hành. Tiếp xúc lâu với tiếng ồn ở cường độ cao có thể gây mất thính lực.**
- i) **Giữ những người không phận sự tránh xa khu vực làm việc với khoảng cách an toàn. Bất kỳ ai vào khu vực làm việc đều phải mặc thiết bị bảo hộ cá nhân. Những mảnh vỡ của phôi gia công hoặc phụ tùng bị bể có thể văng xa và gây chấn thương bên ngoài khu vực vận hành trực tiếp.**
- j) **Chỉ cầm dụng cụ điện bằng bề mặt kẹp cách điện khi thực hiện thao tác ở những điểm mà phụ kiện cắt có thể tiếp xúc với hệ thống dây điện ngầm hoặc dây của dụng cụ. Dụng cụ cắt chạm phải dây "có điện" có thể làm cho các bộ phận kim loại không được bao bọc "có điện" và giật người vận hành máy.**
- k) **Đặt dây tránh xa phụ tùng đang quay. Nếu bạn mất kiểm soát, dây sẽ có thể bị cắt hoặc vướng vào, và tay hoặc cánh tay của bạn sẽ bị kéo vào phụ tùng đang quay.**

- l) **Không bao giờ đặt dụng cụ điện xuống cho đến khi phụ tùng ngừng hoạt động hẳn.** Phụ tùng đang quay có thể găm vào bề mặt và kéo dụng cụ điện ra khỏi tầm kiểm soát của bạn.
- m) **Không bật dụng cụ điện khi bạn đang cầm bên người.** Vô tình chạm vào phụ tùng đang quay có thể làm quần áo bị vướng vào, kéo phụ tùng về người bạn.
- n) **Thường xuyên làm sạch lỗ thông gió của dụng cụ điện.** Quạt của động cơ sẽ hút bụi vào bên trong vỏ máy và việc tích tụ quá nhiều bột kim loại có thể gây tai nạn về điện.
- o) **Không vận hành dụng cụ gần các vật liệu dễ cháy.** Tia lửa điện có thể bắt vào các vật liệu này gây cháy.
- p) **Không sử dụng các phụ tùng cần có chất làm mát dạng lỏng.** Sử dụng nước hoặc chất làm mát dạng lỏng khác có thể gây giật điện hoặc sốc.

Lực giật lùi và Cảnh báo liên quan

Lực giật lùi là phản ứng bất ngờ do bánh mài, tấm đỡ, chổi hoặc bất kỳ phụ tùng khác đang quay bị kẹt hoặc vướng. Phụ tùng đang quay bị kẹt hoặc vướng có thể ngừng đột ngột, việc này sẽ làm cho dụng cụ điện vốn đã mất kiểm soát bị bật về hướng ngược với hướng quay của phụ tùng tại điểm bị kẹt. Ví dụ, nếu bánh mài bị vướng hoặc kẹt vào phôi gia công, cạnh của bánh mài đang ở chỗ kẹt có thể cắm vào bề mặt vật liệu làm cho bánh mài nảy lên hoặc văng ra. Bánh mài có thể nảy ra xa hoặc hướng về người vận hành, tùy vào hướng chuyển động của bánh mài tại điểm bị kẹt. Bánh mài cũng có thể bị vỡ trong những điều kiện này. Lực giật lùi xảy ra do sử dụng sai dụng cụ và/hoặc quy trình hoặc điều kiện vận hành không chính xác và có thể tránh được bằng cách thực hiện các biện pháp phòng ngừa thích hợp liệt kê bên dưới.

- a) **Cầm chắc dụng cụ điện và định vị cơ thể cũng như cánh tay sao cho có thể cầm được lực giật lùi.** Luôn sử dụng tay cầm phụ, nếu có, để kiểm soát tối đa lực giật lùi hoặc phản lực mô men xoắn khi khởi động. Người vận hành có thể kiểm soát phản lực mô men xoắn hoặc lực giật lùi nếu thực hiện các biện pháp phòng ngừa thích hợp.
- b) **Không bao giờ đặt tay gần phụ tùng đang quay.** Phụ tùng có thể giật lùi về tay bạn.
- c) **Không đứng trong khu vực mà dụng cụ điện sẽ chuyển động nếu xảy ra lực giật lùi.**

Lực giật lùi sẽ đẩy dụng cụ theo hướng ngược với hướng chuyển động của bánh mài tại điểm bị kẹt.

- d) **Đặc biệt chú ý khi làm việc với các góc, cạnh sắc, v.v... Tránh làm nảy và kẹt phụ tùng.** Các góc, cạnh sắc hoặc gờ nổi có xu hướng làm kẹt phụ tùng đang quay và gây mất kiểm soát hoặc tạo lực giật lùi.
- e) **Không lắp lưới thưa xích, dao khắc gỗ hoặc lưới thưa có răng.** Những lưới này thường xuyên tạo ra lực giật lùi và gây máy kiểm soát.

Cảnh báo an toàn dành riêng cho hoạt động mài và cắt đứt:

- a) **Chỉ sử dụng loại bánh được khuyến nghị cho dụng cụ điện của bạn và tấm chắn bảo vệ cụ thể được thiết kế cho bánh được lựa chọn.** Bánh không được thiết kế cho dụng cụ điện không cung cấp bảo vệ đầy đủ và không an toàn.
- b) **Bề mặt mài của bánh mài lõm giữa phải được lắp ráp sau mặt phẳng miệng ốp chắn.** Bánh mài được lắp ráp không đúng cách nhô lên mặt phẳng miệng ốp chắn có thể không được bảo vệ thích đáng.
- c) **Tấm chắn bảo vệ phải được lắp khít vào dụng cụ điện và định vị để đảm bảo an toàn cao nhất, sao cho phần tấm chắn lộ ra ngoài hướng về người vận hành là nhỏ nhất.** Tấm chắn giúp bảo vệ người vận hành khỏi bị mảnh vụn của bánh mài bắn vỡ văng trúng, tránh vô tình tiếp xúc với máy mài và tia lửa có thể làm quần áo bén lửa.
- d) **Chỉ sử dụng bánh mài cho các ứng dụng được khuyến nghị.** Ví dụ: không mài bằng cạnh của bánh mài cắt. Bánh mài cắt được sử dụng cho mục đích mài cạnh biên, các lực bên tác dụng vào những bánh mài này có thể làm cho bánh mài bị vỡ.
- e) **Luôn sử dụng mặt bích bánh mài còn tốt, kích thước và hình dạng phù hợp với bánh mài mà bạn đã chọn.** Mặt bích bánh mài phù hợp sẽ đỡ được bánh mài, do đó làm giảm nguy cơ làm vỡ bánh mài. Mặt bích dành cho bánh mài cắt có thể khác với mặt bích bánh mài nhẵn.
- f) **Không sử dụng bánh mài đã mòn của các dụng cụ điện lớn hơn.** Bánh mài dùng cho các dụng cụ điện lớn hơn không thích hợp với tốc độ cao hơn của dụng cụ nhỏ hơn và có thể bị vỡ.

Cảnh báo an toàn dành riêng cho hoạt động mài cắt



Các hoạt động mài cắt chỉ phù hợp với tấm chắn bảo vệ đặc biệt (không được bao gồm)

- a) Không “kẹp chặt” bánh mài cắt hoặc tác dụng lực quá lớn. Không cố tạo ra vết cắt quá sâu. Ấn bánh mài quá mạnh sẽ tăng lực tải và dễ làm xoắn hoặc kẹt bánh mài vào vết cắt, cũng như có thể gây ra lực giật lùi hoặc vỡ bánh mài.
- b) Không đứng phía sau hoặc thẳng hàng với bánh mài đang quay. Khi bánh mài đang quay dịch chuyển ra xa bạn, lực giật lùi tiềm ẩn có thể đẩy bánh mài đang quay và dụng cụ điện hướng thẳng vào bạn.
- c) Khi bánh mài bị kẹt hoặc khi ngừng cắt vì lý do nào đó, hãy ngắt điện dụng cụ và giữ máy đứng yên đến khi bánh mài ngừng hoàn toàn. Không cố rút bánh mài cắt ra khỏi vết cắt khi bánh mài còn đang quay, nếu không sẽ làm phát sinh lực giật lùi. Kiểm tra và tiến hành khắc phục để loại bỏ nguyên nhân gây kẹt bánh mài.
- d) Không bắt đầu lại hoạt động cắt trên phiô gia công. Hãy đợi bánh mài đạt tốc độ tối đa và cẩn thận đặt lại vào vết cắt. Bánh mài có thể bị kẹt, nảy lên hoặc giật lùi nếu khởi động lại dụng cụ điện ngay trên phiô gia công.
- e) Chống đỡ các bảng điện hoặc bất kỳ vật gia công quá cỡ nào để giảm thiểu nguy cơ thất lại hoặc phản ứng xấu của bánh xe. Những vật gia công lớn có xu hướng lún xuống dưới trọng lượng của chúng. Các vật chống đỡ phải được đặt bên dưới vật gia công gần đường cắt và gần rìa của vật gia công ở cả hai phía của bánh xe.
- f) Hãy sử dụng cảnh báo bổ sung khi thực hiện một “rãnh cắt” lên những bức tường hiện có hoặc các khu vực không thấy được khác. Bánh xe nhô ra có thể cắt đường ống khí hoặc nước, dây điện hoặc các vật có thể gây ra phản ứng mạnh mẽ.

An toàn điện

Khi sử dụng máy vận hành bằng điện, luôn tuân thủ các quy định an toàn áp dụng ở quốc gia bạn để giảm thiểu nguy cơ cháy, điện giật và thương tích cá nhân. Đọc các hướng dẫn an toàn sau đây và cả các hướng dẫn an toàn đi kèm.



Luôn luôn kiểm tra xem điện áp nguồn điện có tương ứng với mức điện áp quy định trên biển thông số không.



Máy loại II - Cách kẹp - Bạn không cần bất kỳ phích cắm nối đất.

Nếu việc sử dụng dụng cụ điện ở nơi ẩm ướt là không thể tránh khỏi, dùng dụng cụ ngắt mạch tự động (RCD) bảo vệ nguồn. Sử dụng dụng cụ ngắt mạch tự động RCD làm giảm nguy cơ bị điện giật.

2. THÔNG TIN VỀ MÁY

Mục đích sử dụng

Máy mài góc độ của bạn đã được thiết kế để mài các vật liệu nề và thép mà không cần sử dụng nước. Để cắt, bạn cần sử dụng tấm chắn bảo vệ đặc biệt (không được bao gồm)

Thông số kỹ thuật

Mẫu mã số	AGM1110P	AGM1112P	AGM1114P
Điện áp nguồn điện	220-240 V~		
Tn số lưới điện	50/60 Hz		
Đầu vào công suất	710 W		
Tốc độ danh định	N ₀ 11.000/min		
Mâm bánh xe để mài			
Đường kính	100 mm	115 mm	125 mm
Lỗ khoan	16 mm	22 mm	22 mm
Đường ren trục chính	M10	M14	M14
Trọng lượng	1.98 kg	2 kg	2.05 kg
Áp suất âm thanh (L _{PA})	86.4 + 3 dB(A)		
Công suất âm thanh (L _{WA})	97.4 + 3 dB(A)		
Rung khi “mài bề mặt” a _{h,AG}	6.334 + 1.5 m/s ²		

Mẫu mã số	AGM1111P	AGM1113P	AGM1115P
Điện áp nguồn điện	220-240 V~		
Tn số lưới điện	50/60 Hz		
Đầu vào công suất	850 W		
Tốc độ danh định	N ₀ 11.000/min		
Mâm bánh xe để mài			
Đường kính	100 mm	115 mm	125 mm
Lỗ khoan	16 mm	22 mm	22 mm
Đường ren trục chính	M10	M14	M14
Trọng lượng	1.98 kg	2 kg	2.05 kg
Áp suất âm thanh (L _{PA})	86.4 + 3 dB(A)		
Công suất âm thanh (L _{WA})	97.4 + 3 dB(A)		
Rung khi "mài bề mặt" a _{h,AG}	6.334 + 1.5 m/s ²		

Mức độ rung

Mức phát thải và mức độ rung được đề cập trong sách hướng dẫn này đã được đo phù hợp với kiểm tra tiêu chuẩn được đưa ra trong EN 60.745; nó có thể được sử dụng để so sánh giữa các dụng cụ với nhau và như đánh giá sơ bộ đối với tiếp xúc với rung động khi sử dụng dụng cụ cho các ứng dụng được đề cập

- sử dụng dụng cụ cho các ứng dụng khác nhau, hoặc với các dụng cụ khác hoặc các dụng cụ được bảo dưỡng kém, có thể làm tăng đáng kể mức độ tiếp xúc
- thời gian khi dụng cụ đã được tắt hoặc khi nó đang chạy không tải có thể làm giảm đáng kể mức độ tiếp xúc.

Bảo vệ bạn khỏi các ảnh hưởng do rung động bằng cách bảo dưỡng dụng cụ và các dụng cụ của nó, giữ ẩm tay bạn và tổ chức các mô hình làm việc của bạn.

Mô tả

Số liệu trong văn bản tham chiếu đến các sơ đồ trên các trang 2-3

Hình A

1. Núm khóa trục chính
2. Công tắc Bật/ Tắt
3. Tấm chắn bảo vệ

Hình B

8. Trục chính
9. Mặt bích lắp đặt
10. Mâm bánh xe (không được bao gồm)
11. Đai ốc liên kết
12. Chia vận đai ốc
13. Tay cầm bên

Cấu kiện



Trước khi lắp ráp, phải luôn tắt máy và rút phích cắm ra khỏi nguồn điện.

Lắp đặt tấm chắn bảo vệ (Hình A và B)

- Đặt máy trên một cái bàn với trục chính (8) hướng lên trên.
- Đặt tấm chắn bảo vệ (3) trên đầu máy như thể hiện trong Hình B đảm bảo gờ trên tấm chắn bảo vệ rơi vào rãnh cắt của đầu máy.
- Xoay tấm chắn bảo vệ ngược chiều kim đồng hồ và cố định tấm chắn bằng cách vặn chặt ốc vít (14).



Không có tháo tấm chắn ra.

Lắp đặt và tháo mâm bánh xe (Hình B)

- Luôn luôn sử dụng mâm bánh xe thích hợp cho máy này với đường kính Ø 100/ 115/ 125 mm và một lỗ khoan từ 16 / 22/ 22 mm. Độ dày của mâm bánh xe nên là 6 mm đối với mâm bánh xe mài và 3 mm đối với mâm bánh xe để cắt, mâm bánh xe lắp ráp có thể không chạm vào tấm chắn an toàn.

Lắp đặt

- Đặt máy trên một cái bàn với tấm chắn bảo vệ (3) hướng lên trên.
- Lắp mặt bích (9) vào trục chính (8).
- Đặt mâm bánh xe (10) vào trục chính (8).
- Nhấn giữ nút khóa trục chính (1) và vặn chặt đai ốc liên kết (11) vào trục chính (8) bằng cách sử dụng chia vận đai ốc (12).

Tháo

- Đặt máy trên một cái bàn với tấm chắn bảo vệ (3) hướng lên trên.
- Nhấn giữ nút khóa trục chính (1) và rời lỏng đai ốc liên kết (11) bằng cách sử dụng chia vận đai ốc (12).
- Tháo mâm bánh xe (10) từ trục chính (8).
- Nhấn giữ nút khóa trục chính (1) và vặn chặt

đai ốc liên kết (11) bằng cách sử dụng chìa vặn đai ốc (12).

3. VẬN HÀNH



Hãy chắc chắn rằng vật gia công được đỡ hoặc cố định thích hợp và giữ dây nguồn cách xa khu vực làm việc.

Bật và tắt (Hình A)

- Để bật máy, nhấn công tắc Bật/ tắt (2).
- Để tắt máy, ngắt công tắc Bật/ tắt (2).

Để máy xa vật gia công khi bật và tắt máy vì mâm bánh xe có thể làm hỏng vật gia công.

Kẹp vật gia công vững chắc chắn hoặc sử dụng một phương pháp khác để đảm bảo nó không thể di chuyển trong khi làm việc.

- Kiểm tra đĩa thường xuyên. Mâm bánh xe bị mòn có ảnh hưởng tiêu cực đến hiệu quả của máy. Thay đổi một mâm bánh xe mới trong thời gian thích hợp.
- Luôn luôn ghi nhớ là trước hết, phải tắt máy sau khi sử dụng và trước khi tháo phích cắm ra khỏi ổ cắm.

Mài nhẵn (Hình C)

Mài nhẵn đạt kết quả tốt nhất ở một góc nghiêng 30° đến 40°. Di chuyển máy với áp lực nhẹ. Điều này sẽ tránh việc vật gia công bị đổi màu hoặc trở nên quá nóng và tránh tạo ra rãnh.



Không bao giờ sử dụng đĩa cắt đã mòn để mài nhẵn!

Cắt (Hình D)

Để cắt, bạn cần sử dụng tấm chắn bảo vệ đặc biệt (không được bao gồm).

Duy trì tiếp xúc tốt với vật gia công để ngăn chặn rung và không làm nghiêng hoặc sử dụng áp lực khi cắt. Sử dụng áp lực vừa phải khi làm việc, phù hợp với vật liệu đang sử dụng. Không làm chậm mâm bánh xe bằng cách sử dụng áp lực ngược một bên. Hướng mà bạn muốn cắt rất quan trọng. Máy phải luôn luôn làm việc với hướng cắt; vì vậy, không bao giờ di chuyển máy theo hướng khác! Có nguy cơ là máy sẽ bắt trong mắc vào vết cắt, tạo ra lực giật lùi và khiến bạn mất kiểm soát.

Gợi ý để sử dụng tối ưu

- Kẹp vật gia công. Sử dụng một thiết bị kẹp cho vật gia công nhỏ.
- Giữ máy bằng cả hai tay.
- Bật máy.
- Chờ cho đến khi máy đã đạt tốc độ đầy đủ. Đặt mâm bánh xe trên vật gia công. Từ từ di chuyển máy cùng vật gia công, ấn mạnh mâm bánh xe lên vật gia công.
- Không sử dụng quá nhiều áp lực trên máy. Hãy để máy làm việc.
- Tắt máy và chờ cho máy dừng hoàn toàn trước khi đặt máy xuống.

4. BẢO DƯỠNG

Thay thế phích cắm (chỉ áp dụng ở Anh)

Nếu phích cắm 3 chân đi kèm với máy bị hư hỏng và cần được thay thế, điều quan trọng là nó cần được bỏ đi và thay thế một cách chính xác bằng một ổ cắm có cầu chì được phê duyệt theo BS 1363/7A và rằng các hướng dẫn về hệ thống dây điện sau đây được theo sau. Các dây trong cáp lưới điện có màu phù hợp với quy tắc sau:

- màu xanh dây trung tính
- màu nâu dây nóng

Khi màu sắc của dây trong cáp điện của thiết bị có thể không tương ứng với nhãn màu, để xác định các cực trong phích cắm, tiến hành như sau:

- Dây màu xanh phải được kết nối với cực được đánh dấu bằng chữ N hoặc màu đen.
- Dây màu nâu phải được kết nối với cực được đánh dấu bằng chữ L hoặc màu đỏ.



Trước khi làm sạch và bảo dưỡng, phải luôn tắt máy và rút phích cắm ra khỏi nguồn điện.

Lau chùi vỏ máy thường xuyên với một miếng vải mềm, tốt nhất là sau mỗi lần sử dụng. Đảm bảo các khe thông gió không có bụi bẩn. Loại bỏ bụi bẩn dai dẳng bằng một miếng vải mềm tẩm nước bọt xà phòng. Không sử dụng bất kỳ dung môi như xăng, cồn, amoniac, vv Hóa chất như vậy sẽ làm hỏng các thành phần tổng hợp.

Thay thế dây nguồn

Nếu dây nguồn bị hỏng, nó phải được thay thế bởi nhà sản xuất, đại lý dịch vụ hoặc người có trình độ để tránh gây nguy hiểm.

Kiểm tra và thay thế chổi than

Nếu chổi than bị mòn, máy sẽ bắt đầu chạy không đều.

Chổi than

Nếu chổi than bị mòn, chúng phải được thay thế bởi bộ phận dịch vụ khách hàng của nhà sản xuất hoặc người có trình độ tương tự.



Chỉ sử dụng đúng loại chổi than ban đầu.

MÔI TRƯỜNG



Các thiết bị điện, điện tử bị lỗi và/hoặc loại bỏ phải được thu gom tại các địa điểm tái chế thích hợp.

Chỉ dành cho các nước Liên minh Châu Âu

Không vứt bỏ dụng cụ điện cầm tay vào chất thải sinh hoạt. Theo Hướng dẫn của châu Âu 2012/19/EC về chất thải từ các thiết bị điện và điện tử và thực hiện như quyền lợi quốc gia, các dụng cụ điện không còn sử dụng phải được thu gom riêng biệt và được xử lý một cách thân thiện với môi trường.

BẢO HÀNH

Các điều kiện bảo hành có thể được tìm thấy trên thẻ bảo hành riêng kèm theo.

Sản phẩm và hướng dẫn sử dụng có thể được thay đổi. Thông số kỹ thuật có thể thay đổi mà không cần thông báo thêm.

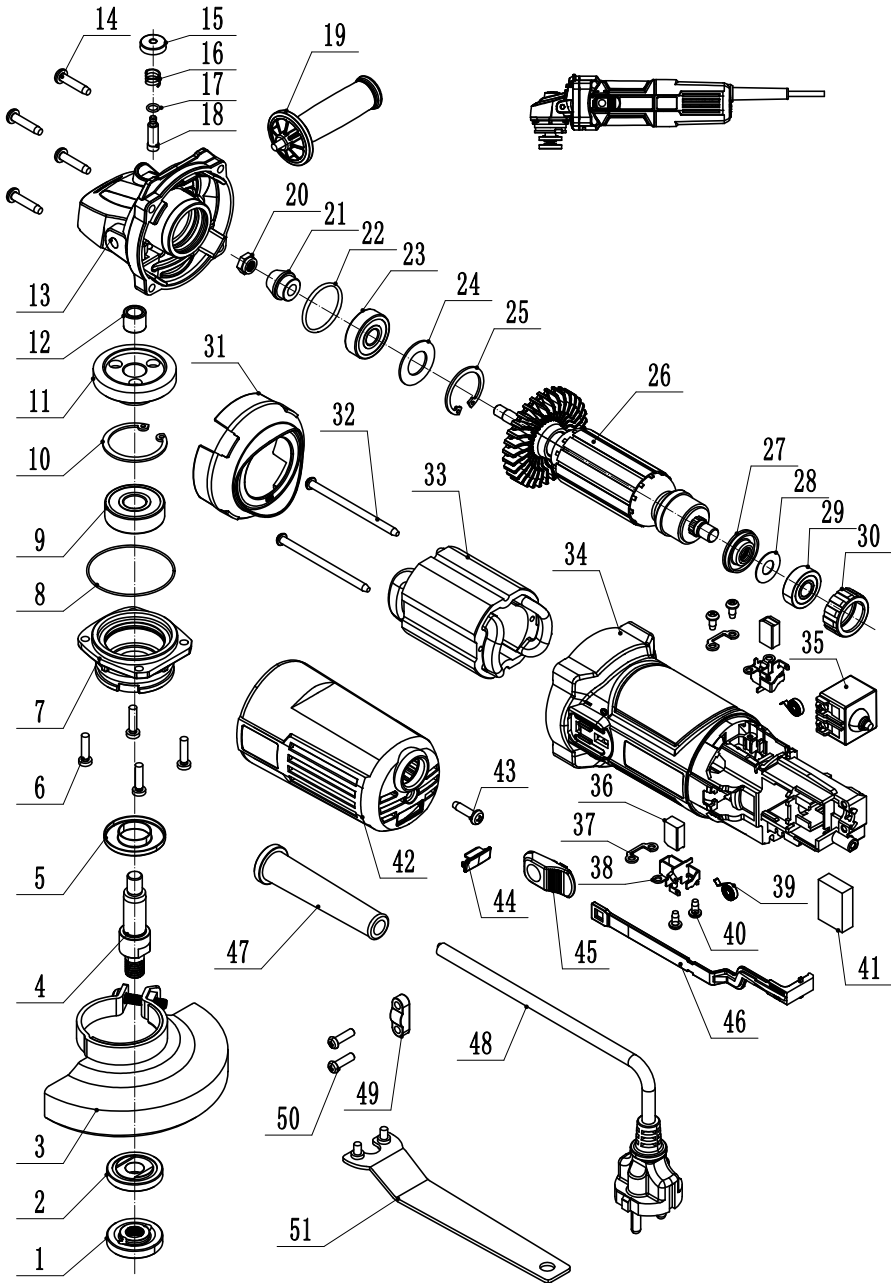
Spare parts list

AGM1110P-1115P

Position	Description	AGM1110P	AGM1111P	AGM1112P	AGM1113P	AGM1114P	AGM1115P
1	Outer flange	480997		480905			
2	Inner flange	480998		480906			
3	Guard	480999		480907	481000		
4	Spindle	481072		480908			
5	Dustproof spacer	480909					
6	Screw M4x16 (4 pcs)	480910					
7	Front cover	480911					
8	O ring 46x1mm	480912					
9	NSK bearing 6201	481001					
10	Circlip 32mm	480914					
11	Big gear	480915					
12	Needle bearing HK0810	480916					
15	Spindle lock cap	480919					
16	Spindle lock spring	480920					
17	O ring 6x4x1mm	480921					
18	Spindle lock pin	480922					
19	Auxiliary handle M8 screw	481002					
21	Pinion gear	480925					
23	NMB Bearing 629	481003					
26	Rotor	481004	480930	481004	480930	481004	480930
27	Dustproof ring	480931					
28	Bearing spacer 18x8.2x0.5mm	480932					
29	NSK bearing 608	481005					
30	Bearing sleeve 608	480934					
31	Deflector	480935					
33	Stator	481006	480937	481006	480937	481006	480937
35	Switch	481007					
36	Carbon brush (2pcs)	480940					
37	Insulating sheet (2pcs)	480941					
38	Carbon brush holder (2pcs)	480942					
39	Coil spring (2pcs)	480943					
45	Switch button	480949					
46	Switch bar	480950					
51	Wrench	480955					

Exploded view

AGM1110P / AGM1111P / AGM1112P / AGM1113P / AGM1114P / AGM1115P





DECLARATION OF CONFORMITY

AGM1110P/ AGM1111P / AGM1112P / AGM1113P/ AGM1114P/ AGM1115P

ANGLE GRINDER

- (EN) We declare under our sole responsibility that this product is in conformity with directive 2011/65/EU of the European parliament and of the council of 8 June on the restriction of the use of certain hazardous substances in electrical and electronic equipment is in conformity and accordance with the following standards and regulations:
- (DE) Der Hersteller erklärt eigenverantwortlich, dass dieses Produkt der Direktive 2011/65/EU des Europäischen Parlaments und des Rats vom 8. Juni 2011 über die Einschränkung der Anwendung von bestimmten gefährlichen Stoffen in elektrischen und elektronischen Geräten entspricht. den folgenden Standards und Vorschriften entspricht.
- (NL) Wij verklaren onder onze volledige verantwoordelijkheid dat dit product voldoet aan de conform Richtlijn 2011/65/EU van het Europees Parlement en de Raad van 8 juni 2011 betreffende beperking van het gebruik van bepaalde gevaarlijke stoffen in elektrische en elektronische apparatuur en in overeenstemming is met de volgende standaarden en reguleringen:
- (FR) Nous déclarons sous notre seule responsabilité que ce produit est conforme aux standards et directives suivants: est conforme à la Directive 2011/65/EU du Parlement Européen et du Conseil du 8 juin 2011 concernant la limitation d'usage de certaines substances dangereuses dans l'équipement électrique et électronique.
- (ES) Declaramos bajo nuestra exclusiva responsabilidad que este producto cumple con las siguientes normas y estándares de funcionamiento: se encuentra conforme con la Directiva 2011/65/UE del Parlamento Europeo y del Consejo de 8 de junio de 2011 sobre la restricción del uso de determinadas sustancias peligrosas en los equipos eléctricos y electrónicos.
- (PT) Declaramos por nossa total responsabilidade de que este produto está em conformidade e cumpre as normas e regulamentações que se seguem: está em conformidade com a Directiva 2011/65/UE do Parlamento Europeu e com o Conselho de 8 de Junho de 2011 no que respeita à restrição de utilização de determinadas substâncias perigosas existentes em equipamento eléctrico e electrónico.
- (IT) Dichiariamo, sotto la nostra responsabilità, che questo prodotto è conforme alle normative e ai regolamenti seguenti: è conforme alla Direttiva 2011/65/UE del Parlamento Europeo e del Consiglio dell'8 giugno 2011 sulla limitazione dell'uso di determinate sostanze pericolose nelle apparecchiature elettriche ed elettroniche.
- (SV) Vi garanterar på eget ansvar att denna produkt uppfyller och följer följande standarder och bestämmelser: uppfyller direktiv 2011/65/EU från Europeiska parlamentet och EG-rådet från den 8 juni 2011 om begränsningen av användning av farliga substanser i elektrisk och elektronisk utrustning.
- (FI) Vakuutamme yksinomaan omalla vastuullamme, että tämä tuote täyttää seuraavat standardit ja säädökset: täyttää Euroopan parlamentin ja neuvoston 8. kesäkuuta 2011 päivätyn direktiivin 2011/65/EU vaatimukset koskien vaarallisten aineiden käytön rajoitusta sähkö- ja elektronisissa laitteissa.
- (NO) Vi erklærer under vårt eget ansvar at dette produktet er i samsvar med følgende standarder og regler: er i samsvar med EU-direktivet 2011/65/EU fra Europa-parlamentet og Europa-rådet, pr. 8 juni 2011, om begrensning i bruken av visse farlige stoffer i elektrisk og elektronisk utstyr.
- (DA) Vi erklærer under eget ansvar, at dette produkt er i overensstemmelse med følgende standarder og bestemmelser: er i overensstemmelse med direktiv 2011/65/EU fra Europa-Parlamentet og Rådet af 8. juni 2011 om begrænsning af anvendelsen af visse farlige stoffer i elektrisk og elektronisk udstyr.
- (HU) Felelősségünk teljes tudatában kijelentjük, hogy ez a termék teljes mértékben megfelel az alábbi szabványoknak és előírásoknak: je v souladu se směrnicí 2011/65/EU Evropského parlamentu a Rady EU ze dne 8. června 2011, která se týká omezení použití určitých nebezpečných látek v elektrických a elektronických zařízeních.
- (CS) Na naši vlastní zodpovědnost prohlašujeme, že je tento výrobek v souladu s následujícími standardy a normami: Je v souladu s normou 2011/65/EU Evropského parlamentu a Rady z 8. června 2011 týkající se omezení používání určitých nebezpečných látek v elektrickém a elektronickém vybavení.
- (SK) Vyhlasujeme na našu výhradnú zodpovednosť, že tento výrobok je v zhode a súlade s nasledujúcimi normami a predpismi: Je v súlade s normou 2011/65/EU Európskeho parlamentu a Rady z 8. júna 2011 týkajúcej sa obmedzenia používania určitých nebezpečných látok v elektrickom a elektronickom vybavení.
- (SL) S polno odgovornostjo izjavljamo, da je ta izdelek v skladu in da odgovarja naslednjim standardom ter predpisom: je v skladu z direktivo 2011/65/EU Evropskega parlamenta in Sveta z dne 8. junija 2011 o omejevanju uporabe določenih nevarnih snovi v električni in elektronski opremi.
- (PL) Deklarujemy na własną odpowiedzialność, że ten produkt spełnia wymogi zawarte w następujących normach i przepisach: jest zgodny z Dyrektywą 2011/65/UE Parlamentu Europejskiego i Rady z dnia 8 czerwca 2011 r. w sprawie ograniczenia stosowania niektórych niebezpiecznych substancji w sprzęcie elektrycznym i elektronicznym.
- (LT) Prisimdamu visą atsakomybę deklaruojame, kad šis gaminyš atitinka Žemum paminėtus standartus arba nuostatus: atitinka 2011 m. birželio 8 d. Europos Parlamento ir Tarybos direktyvą 2011/65/EB dėl tam tikrų pavojingų medžiagų naudojimo elektros ir elektroninėje įrangoje apribojimo.
- (LV) Ir atbilstoša Eiropas Parlamenta un Padomes 2011. gada 8. jūnija Direktīvai 2011/65/ES par dažu bīstamu vielu izmantošanas ierobežošanu elektriskās un elektroniskās iekārtās.
- (ET) Allgavajame ar visu atbildību, ka šis produktis ir saskaņā un atbilst sekojošiem standartiem un nolikumiem: ir atbilstoša Eiropas Parlamenta un Padomes 2011. gada 8. jūnija Direktīvai 2011/65/ES par dažu bīstamu vielu izmantošanas ierobežošanu elektriskās un elektroniskās iekārtās.
- (RO) Declaram prin aceasta ca răspunderea deplină că produsul acesta este în conformitate cu următoarele standarde sau directive: este în conformitate cu Directiva 2011/65/UE a Parlamentului European și a Consiliului din 8 Iunie 2011 cu privire la interzicerea utilizării anumitor substanțe periculoase la echipamentele electrice și electronice.
- (HR) Izjavljujemo pod vlastitom odgovornošću da je strojem ukladan sa slijedešim standardima ili standardiziranim dokumentima i u skladu sa odredbama: usklađeno s Direktivom 2011/65/EU europskog parlamenta i vijeća izdanom 8. lipnja 2011. o ograničenju korištenja određenih opasnih tvari u električnoj i elektroničkoj opremi.
- (SR) Pod punom odgovornošću izjavljujemo da je usaglašen sa sledećim standardima ili normama: usaglašen sa direktivom 2011/65/EU evropskog parlamenta i Saveta od 8. juna 2011. godine za restrikciju upotrebe određenih opasnih materija u električnoj i elektronskoj opremi.
- (BG) Ние декларираме на наша отговорност, че този продукт отговаря на съответствие с Директива 2011/65/ЕС на Европейския парламент и на Съвета от 8 юни 2011 г. относно ограничението на употребата на определени опасни вещества в електрическо и електронно оборудване, в съответствие с следните стандарти и наредби.
- (RU) Под свою ответственность заявляем, что данное изделие соответствует следующим стандартам и нормам: соответствует требованиям Директивы 2011/65/ЕU Европейского парламента и совета от 8 июня 2011 г. по ограничению использования определенных опасных веществ в электрическом и электронном оборудовании.
- (UK) На свою власну відповідальність заявляємо, що дане обладнання відповідає наступним стандартам і нормативам: задовольняє вимоги Директиви 2011/65/EC Європейського Парламенту та Ради від 8 червня 2011 року на обмеження використання деяких небезпечних речовин в електричному та електронному обладнанні.
- (EL) Δηλώνουμε υπεύθυνα ότι το προϊόν αυτό συμμορφώνεται με τις απαιτήσεις των παρακάτω κανονισμούς και πρότυπα: συμμορφώνεται με την Οδηγία 2011/65/ΕΕ του Ευρωπαϊκού Κοινοβουλίου και του Συμβουλίου της 8ης Ιουνίου 2011 για τον περιορισμό της χρήσης ορισμένων επικίνδυνων ουσιών σε ηλεκτρικό και ηλεκτρονικό εξοπλισμό.
- (AR) قهلاتنا ناهي بملأء جوارحنا على استعمال هذه الآلة مع وظائفها تحت إشرافنا وفقاً لمتطلبات:
- (TR) Sorumluluş biz olarak bu ürünüñ aşağıdaki standart ve yönetlelere uygun olduğunu beyan ederiz.
- (MK) Изјавуваме со наша целосна одговорност дека производот е во согласност со Смерницата 2011/65/EU на Европскиот парламент и е во согласност според Советот од 9 јуни за ограничување на користење на одредени опасни супстанции во електричната и електронската опрема и дека е според следните стандарти и регулативи:

EN 60745-1, EN 60745-2-3, EN 55014-1, EN 55014-2,
EN 61000-3-2, EN 61000-3-3,

2006/42/EC, 2011/65/EU, 2012/19/EU, 2014/30/EU

Zwolle, 01-09-2020

H.G.F Rosberg
CEO FERM

FERM - Lingenstraat 6 - 8028 PM - Zwolle - The Netherlands

