

FERM®

POWER SINCE 1965



MSM1039

EN	Original instructions	04
DE	Übersetzung der Originalbetriebsanleitung	11
NL	Vertaling van de oorspronkelijke gebruiksaanwijzing	19
FR	Traduction de la notice originale	27
ES	Traducción del manual original	35
SV	Översättning av bruksanvisning i original	43
FI	Alkuperäisten ohjeiden käännös	50
HU	Eredeti használati utasítás fordítása	57
CS	Překlad původního návodu k používání	65
LT	Originalios instrukcijos vertimas	73
LV	Instrukciju tulkojums no oriģinālvalodas	80
TR	Orijinal talimatların çevirisi	88
MK	Превод на оригиналните упатства	95

WWW.FERM.COM



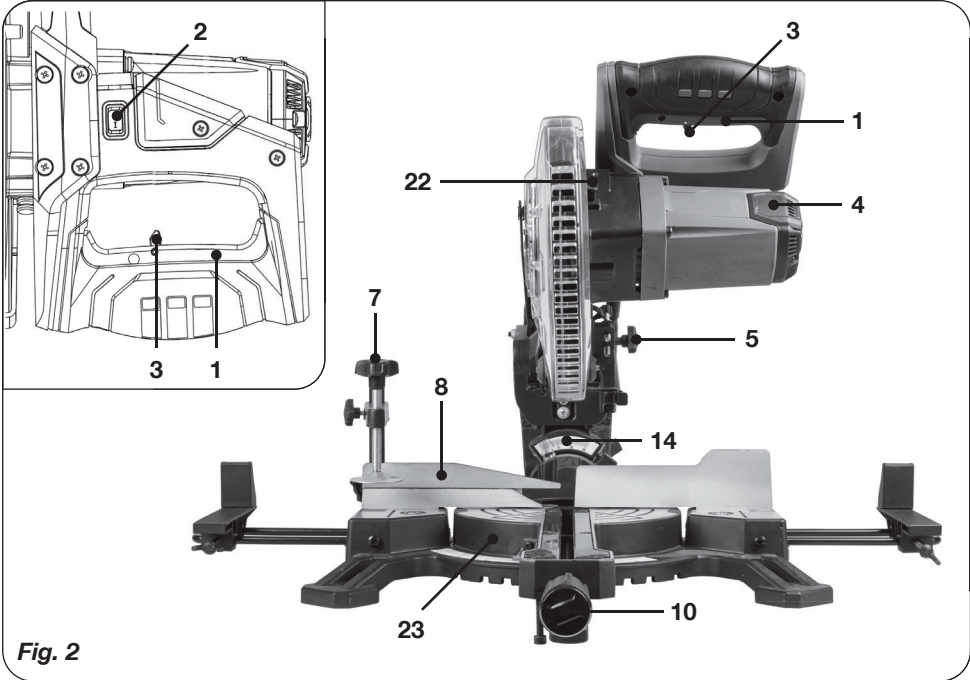
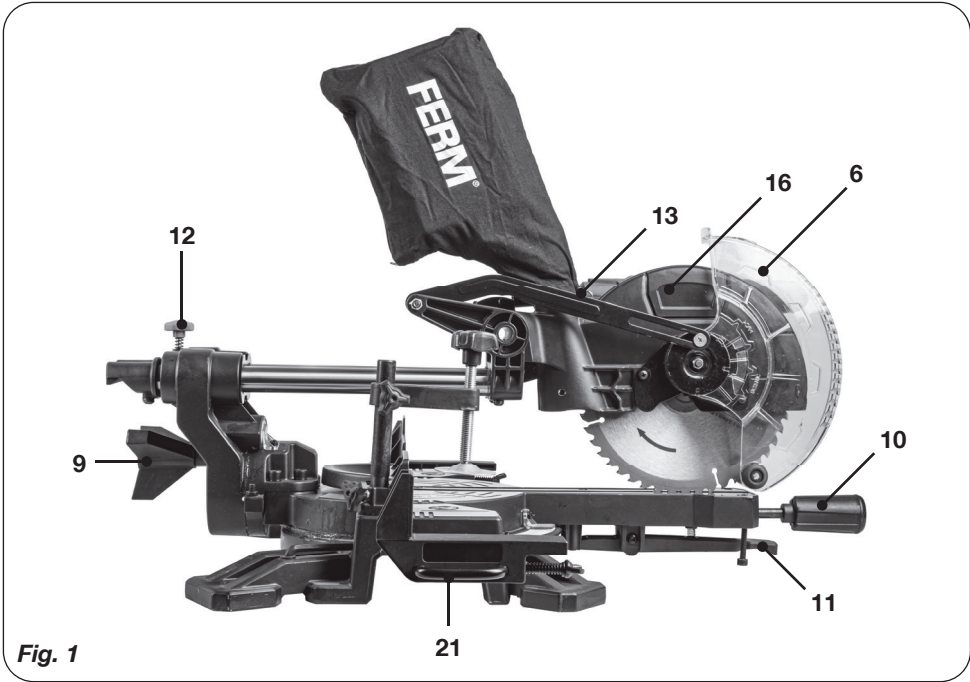


Fig. 3

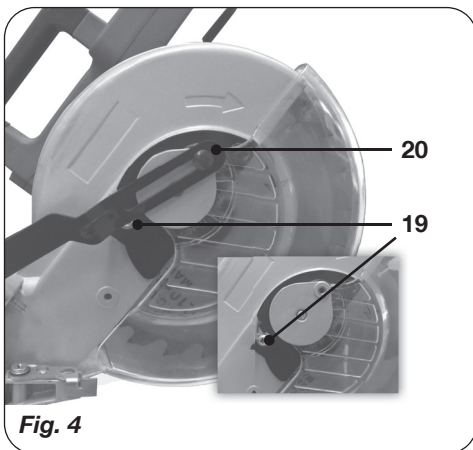
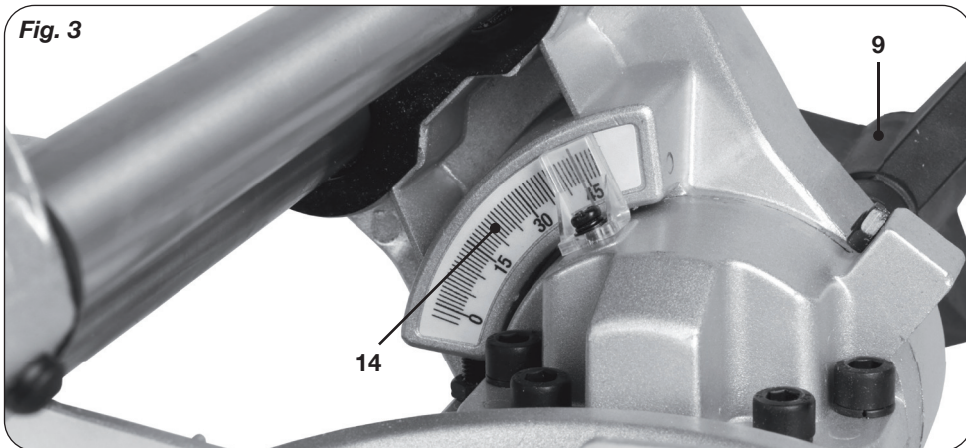


Fig. 4

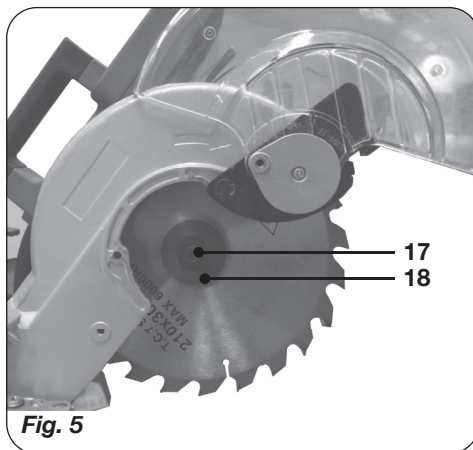


Fig. 5

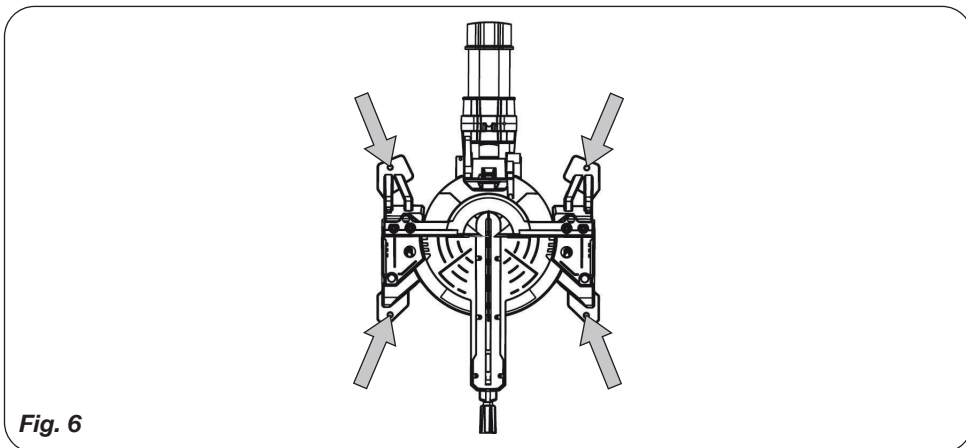


Fig. 6

RADIAL MITRE SAW

MSM1039

Thank you for buying this Ferm product.

By doing so you now have an excellent product, delivered by one of Europe's leading suppliers. All products delivered to you by Ferm are manufactured according to the highest standards of performance and safety. As part of our philosophy we also provide an excellent customer service, backed by our comprehensive warranty. We hope you will enjoy using this product for many years to come.

The numbers in the following text refer to the pictures on page 2-3



Read the operating instructions carefully before using this device. Familiarise yourself with its functions and basic operation. Service the device as per the instructions to ensure that it always functions properly. The operating instructions and the accompanying documentation must be kept in the vicinity of the device.

Intended use

The electro tool is intended as a stationary machine for making straight lengthways and crossways cuts in wood. Horizontal mitre angles of -45° to $+45^\circ$ as well as vertical bevel angles of -45° are possible.



This saw is intended for sawing wood only. Do not use the saw to cut materials other than wood.

1. MACHINE INFORMATION

Technical specifications

Mains voltage	220-240V~, 50Hz
Capacity	1500 W
Machine class	II (double insulated)
No load speed	4.500/min
Saw blade measurement	210x30x2.8mm
Angle for mitring	45° (left and right)
Angle for bevelling	45° (left only)
Mitre saw maximum sawing capacity:	
Mitre 0°, Bevel 0°	70x305mm
Mitre 0°, Bevel 45°	35x305mm
Mitre 45°, Bevel 0°	70x210mm
Mitre 45°, Bevel 45°	35x210mm

Weight	12 kg
L _{pa} (sound pressure)	93.6+3 dB(A)
L _{wa} (acoustic capacity)	106.6+3 dB(A)

Vibration level

The vibration emission level stated in this instruction manual has been measured in accordance with a standardised test given in EN62841-1; it may be used to compare one tool with another and as a preliminary assessment of exposure to vibration when using the tool for the applications mentioned.

- using the tool for different applications, or with different or poorly maintained accessories, may significantly increase the exposure level
- the times when the tool is switched off or when it is running but not actually doing the job, may significantly reduce the exposure level

Protect yourself against the effects of vibration by maintaining the tool and its accessories, keeping your hands warm, and organizing your work patterns.

Features

Figs. 1, 2, 3, 4 and 5

1. On/off switch
2. On/off switch for laser
3. Lock-off button
4. Carbon brush cover
5. Lock-pin
6. Blade protective cover
7. Workpiece clamp
8. Guide fence
9. Knob adjusting saw angle
10. Locking knob
11. Locking paddle
12. Knob over sliding support
13. Connection dust bag
14. Bevel angle
16. Cover
17. Saw blade bolt
18. Flange
19. Screw
20. Screw retraction arm
21. Extension pieces (left and right)
22. Lock-button saw blade
23. Angle indicator

2. SAFETY INSTRUCTIONS

By using electric tools basic safety precautions should always be followed to reduce the risk of fire. Electrical shock and personal injury.

Always read the specific product instruction manual and the safety instructions before attempting to operate the power tool and store these instructions.

Install of a stationary machine.

Fig. 6

This machine is a stationary machine and for safety reasons must always be firmly installed and not used for mobile applications.

You can install the machine in two ways:

- a) As a stationary machine on a workbench.
In case the machine must be secured to the workbench with 4 bolts
- b) As a stationary machine on a sub frame. In this case the machine must be secured to the sub frame with 4 bolts and the sub frame anchored with 4 bolts to the floor plate with dimensions of at least 1 square meter

Symbols

The following symbols are important for the operations of your power tool. The correct interpretations of the symbols helps you operate the power tool more save



Denotes risk of personal injury, loss of life or damage to the tool in case of nonobservance of the instruction in this manual



Caution, risk of electric shock



Keep bystanders away



Wear eye protection



Wear ear protectors. Exposure to noise can cause hearing loss.



Wear a dust mask



Danger Area! Keep hands far away (10cm) from the cutting area while the machine is running. Danger of injury when coming in contact with the saw blade



Do not direct the laser beam at persons or animals and do not stare into the laser beam yourself, not even from a distance. This power tool produced laser class 2 laser radiation according to EN 60825-1. This lead can lead to person being blinded



*Disc dimensions. Observe the dimensions of the saw blade. The hole diameter must match the tool spindle without play. *Use only a fill ring which is specified by supplier, filling ring may not have any play*



Transport the machine only when the machine is in inward transport position

1. Work area safety

- a) Keep work area clean and well lit. Cluttered or dark areas invite accidents
- b) Do not operate power tools in explosive atmospheres, such as in the presence of flammable liquids, gases or dust. Power tools create sparks which may ignite the dust or fumes
- c) Keep children and bystanders far away while operation a power tool. Distractions can cause you to lose control, or material can shut away
- d) Never leave the machine unattended without first disconnecting it from the mains voltage.

2. Personal safety

- a) If you are not familiar with using such machine. You would be better to be informed first by a professional, an instructor or by a technician
- b) Store idle power tools out of the reach of children. Power tools are dangerous in the hands of untrained users
- c) Keep power tools dry, clean and free from oil and grease. Properly maintained power tools are safer and easier to control. Grease oil handles are slippery causing loss of control
- d) Make sure you always have a clean and tidy working environment. You could slip or trip
- e) Stay alert, watch what you are doing and use common sense when operating a power tool

- f) Do not overreach. Keep proper footing and balanced at all the time. This enables better control of the power tool in unexpected situations
- g) Do not work with a machine while you are under the influence of alcohol, drugs or medication. Inattention while operating power tools may result in very dangerous injury
- h) Use always protective equipment. Always wear eye protection, dust mask, hearing protectors and safety shoes. By service on machine or raw materials use gloves. Keep your hair back. Reduce changes on personal injury
- i) Be careful when sawing double miter joints. Saw blade, Work piece and your hands must be always visible during sawing
- j) Never saw more than one piece of work at the same time
- k) Make sure that the piece of work not have any nails/ staples or other foreign objects in it
- l) Never process metal or stone with this machine
- m) Do not work with material containing asbestos

3. Power tool safety

The first time that the machine is used and then every subsequent time that it is used:



Before carrying out any work on the machine, disconnect the mains plug from the power supply.

General: Check the entire saw machine. If any part of the machine is missing, bent, damaged or is dysfunctional in any other way, or if any mechanical and/or electrical faults occur or are visible, or if the machine makes any extremely loud noises, refer to the user manual.

If any defects are detected on the machine, they must all be rectified before the machine is used. Only original parts should be used!

If you have any outstanding concerns which could affect your own safety or the safety of the machine, please consult the machine supplier.

Electrical

- a) Always use an Original power plug which matches the outlet, do not use an adapter plug with earthed (grounded) power tools. Unmodified plugs and matching outlets will reduce risk of electrical shock

- b) Do not use the machine with a damaged power cable. Do not touch the damaged cable and pull the mains plug when the cable is damaged while working. Damaged cables increase the risk of an electrical shock
- c) Check the cable regularly and have a damaged cable repaired. Replacing cables or plugs. Immediately throw away old cables or plugs when they have been replaced by new ones. It is dangerous to insert the plug of a loose cable in the wall outlet. Use original power cord and plugs, repairing only through an authorized person, this will ensure that the safety of the power tool is maintained!
- d) To prevent electrical shocks. When plugging the plug into the socket the metal pins must not be touched in any way whatsoever
- e) Do not expose power tools to rain or wet conditions. Water entering a power tool will increase the risk of electrical shock
- f) Never use the cord to pull the plug out of the socket. Keep the cord and plug away from oil, heat and sharp objects
- g) When operating a power tool outdoors, use an extension cord suitable for outdoor use. Use a cord for outdoor use reduces the risk of electric shock
- h) When machine is equipped with laser. Do not direct the laser beam at persons or animals and do not stare into the laser beam yourself. Not even in distance. Laser must be according to EN 60825-1 Class 2.
- i) Repairs of a laser may only be carried out by the laser manufacture or a specialist
- j) If operating a power tool in a damp location is unavoidable, use a residual current device (RCD) protected supply. Use of an RCD reduces the risk of electric shock

Mechanical

- a) Before you start the machine, check if the saw blade is allowed to rotate freely. Check in every different position of the saw machine if the saw blade revolves freely, if the saw blade touches anything the machine must be adjusted or repaired.
- b) Do not use the power tool if the switch does not turn on and off. A power tool that cannot be controlled with the switch is dangerous and must be repaired.

- c) Always use saw blades with the correct size and shape. Use saw blades recommended by the manufacture (EN-847-1). Saw blades that do not match the mounting hardware of the saw will run eccentrically, causing loss of control.
- d) Never use too small or too big saw blades. This is very dangerous
- e) Never remove marking on saw blade. Technical information must always be visible to make the right choices by exchanging the saw blade
- f) Secure the work piece. Always clamp work piece with clamping devices, this is much safer than by hand
- g) Never leave the machine before the complete stopped
- h) Do not use High speed steel saw blades (HSS). Saw blade can easily break
- i) Do never use dull, cracked, bent or damaged saw blades. Before use pull the mains plug and check the saw blade. Damaged or unsharpened saw blades produce narrow kerf, excessive friction, blade binding and kickback. Exchange damaged saw blades immediately, always use original flenses, nut and/ or bolts.
- j) Remove any adjusting key or wrench before turning the power tool. A wrench or a key left attached to a rotating part of the power tool may result in a personal injury and very dangerous situation
- k) The arrow marked on the saw blade, which indicates the direction of rotation. Must point in the same direction as the arrow marked on the machine, the saw blade teeth must point downwards on the front of the saw
- l) Do not touch the saw blade after work before it has cooled. The saw blade becomes very hot while working
- m) Protect the saw blade from strikes and shocks. Do not apply side pressure to the saw blade
- n) Do not force the power tool. Use the correct power tool for your application. The correct power tool will do the job better and safer at the rate which it was signed
- o) Never stand on the power tool. Serious injury can occur when the power tool tips over. Always use extra support for more stability of the machine
- p) Machine is provided with devices for the connection of dust extraction, ensure these are connected and properly used. Dust collection reduce dust- related hazard's
- q) Maintain the air outlets at the machine. Dust must be removed.
- r) Make sure that the guard operates properly and that it can move freely. Never lock the guard in place when opened
- s) Never remove cutting remainders from the sawing area while the machine is running. Always guide the tool arm back to the neutral position first and then switch the machine off
- t) Guide the saw blade against the work piece only when the machine is switched on. Otherwise there is a risk of a kickback, when the saw blade becomes wedged in the work piece
- u) If the saw blade should become jammed. Switch the machine off and hold the work piece until the saw blade comes to a complete stop
- v) To prevent a kick back. The work piece may not be moved until after the machine has complete stopped. Correct the cause for the jamming of the saw blade before restarting the machine
- w) When sawing profile sections, round pieces or other pieces, always press the piece of work against the stop and can't move, so it cannot tilt or turn or move while sawing.
- x) Never use the machine to saw pieces of work that are too small that they cannot be secured safely. Small pieces of wood or other objects that come in contact with the rotating saw blade can strike the operator or out standers with high speed
- y) When sawing always use the additional supports
- z) For sawing of large piece work that not supported. Use extra supports
- aa) Never make warning signs on the machine unrecognizable. Technical information or machine type information must be always visible on machine.
- At the end of the sawing process, keep the saw head downstairs, switch off the machine and wait until the all moving parts has come to a stop before you take your hands off the machine.

3. ASSEMBLY AND ACCESSORIES

Installation of the mitre saw

- Place one sidebar (21) on the right-hand side of the machine and the other sidebar on the left-hand side of the machine.

- Place the work piece clamp (7) on the left or right side of the machine.
- Hold the handgrip and move the saw slightly downwards and then pull the pin (5) out slightly so that saw moves upwards.

Note: Never use the mitre saw without the extension pieces supplied. Make sure that they are correctly mounted.

Sliding fence

Fig.2

For safety reasons, this machine is equipped with a moveable guide fence to be used in normal and bevel cutting.

- For normal straight cross-cuts and mitre cuts, always adjust the sliding fence (8) to the end and fix well to provide safety support for work piece.
- For bevel cuts, adjust the sliding fence (8) to a suitable position as close as to the saw blade surface but avoid interfere the saw blade movement and ensure to fix well.

Changing the saw blades

Fig. 4 and 5



Only use saw blades that are sharp and undamaged. You must immediately replace chipped or bent saw blades.

DANGER: Do not use any blade larger than the stated capacity of the saw. It may come into contact with the blade guard and cause harm.

Do not use a blade too thick to allow the outer blade washer to engage with the flats on the spindle. This will prevent the blade screw from securing the blade on the spindle.

Do not use this saw to cut metal or masonry.

- Disconnect the machine from the power supply.
- Remove the screw (20) that holds the retraction arm to the blade cover.
- Remove the screw (19) in order to remove the bolt-cover by lifting the blade cover (6) upwards.
- Both saw blade bolt (17) and Flange (18) should be visible now like shown in fig. 5.
- Press the saw blade lock button (22) Rotate the saw blade carefully by hand until the blade locks.
- Use hex key to remove the saw blade bolt (17) by loosening in a clockwise direction.
- Remove the Flange (18) and the saw blade

- Replace the saw blade making sure that the arrow marked on the saw blade must point in the same direction as the arrow shown marked on the machine. The saw blade teeth must point downwards.
- Fix the saw blade bolt (17) use the saw blade lock button (22) in order to secure tightly
- Lower the blade cover (6) in order for the bolt-cover to fall back into place and tighten the screw (19)
- Attach the retraction arm back onto the blade cover (6) by tightening the screw (20)
- Rotate the saw blade and check if the guard operates freely

Adjusting the cutting angle

Fig. 1-2.

Adjusting Mitre Angles

The mitre angle can be set between 45° left side and 45° right side

- Loosen the locking knob (10)
- Press the locking paddle (11) and turn the saw table left or right by the locking knob (10) until the angle indicator (23) indicates the required angle.
- Release the locking paddle (11) and tighten the locking knob (10)

Pre-settings (quick settings) on the following degrees: -45°, -30°, -22.5°, -15°, 0°, 15°, 22.5°, 30°, 45°.

- Press the locking paddle (11) when turning the baseplate, release the paddle before reaching the requested degrees and the plate with “click” into the pre-setting itself.

Adjusting Bevel Angles

Fig. 1 and 3

The bevel angle can be set between 0° and 45°.

- Loosen the adjusting knob (9)
- Tilt the saw by using the handle until the angle indicator (14) indicates the required angle.
- Tighten the adjusting knob (9)

Changing the carbon brushes

Fig. 2

- Disconnect the machine from the power supply
- Unscrew the cover (4).
- Replace the carbon brushes with the exact type of brushes
- Tighten the cover (4) again.

Note: Always replace both carbon brushes at the same time, never use a mixture of old and new brushes.

Mounting the dust bag

Fig. 1

Press in the clamp of the dust bag (13) and slide it onto the opening on the back of the machine. The dust bag stays in place when you release the clamp.

4. OPERATION

Using the mitre saw

Fig. 1



Before use, always check for faults or defects!

- Set the desired sawing angle of the machine.
- Put the plug into the socket.
- Fix the piece of work in place using the clamp (7): make sure that the material is well clamped in place!
- Hold the material tightly on the left side while making sure that you keep a safe distance from the blade of the saw.
- To start the machine, press and hold the Lock-off button (3) and press the on/off switch (1).
- Make sure that the saw blade has reached full speed before allowing it to touch the piece of work to be sawn.
- Now bring the saw slowly downwards so that the saw blade saws through the piece of work and passes through the slot in the table. Do not put any pressure on the saw. Give the machine time to saw through the piece of work.
- Bring the machine gently up again and switch it off by letting go of the switch (1).

Using the slide-function

Fig. 1



The machine must be firmly bolted to a workbench.

Use the slide-function for sawing wide workpieces:

- Fix the piece of work in place using the clamp
- Loosen the knob (12)
- Slide the machine completely towards yourself

- Turn on the machine using the switch
- Bring the saw slowly downwards so the saw blade saws through the piece of work
- Push the machine slowly backwards
- Bring the machine gently up again and switch it off by letting go of the switch

Using the laser

Fig. 2

- To switch on the laser, press the on/off switch 2.
- To switch off the laser, release the on/off switch 2.

Transport position

When moving the saw, make sure the saw is in inward position. Check that all locks and tensioning devices are secure:

- Make sure the mitre angle is set to 0°
- Make sure the bevel angle is set to 0°
- Lock the Knob adjusting saw angle (9) by turning it clockwise
- Slide the machine completely towards yourself
- Lock the sliding function by turning Knob over sliding support (12) clockwise
- Unlock the Lock pin (5) on the right hand side of the machine
- Push the machine completely downwards
- Lock the Lock pin (5) on the right hand side of the machine

Only lift the machine by the solid underside of the machine. Do not lift the saw by the switch handle.

5. SERVICE AND MAINTENANCE



Always make sure that the machine is not connected to the mains electricity when you carry out any maintenance of the mechanism.

Slide rails

Dirt can damage the slide rails and thereupon the operating of the machine.

- Clean the slide rails regularly with a soft cloth.
- Drip some lubricating oil on the slide rails
- Move the mitre saw forwards and backwards so the oil spreads over the complete rails

These machines are designed to function for a long time without any problems with a minimum

of maintenance. By cleaning the machine regularly and using it in the correct way you can contribute to a long life of your machine.

Cleaning

Clean the machine housing regularly with a soft cloth, preferably after each time you use the machine. Make sure that the ventilation slots are free of dust and dirt. For stubborn dirt use a soft cloth dampened with soapy water. Never use solvents such as benzene, alcohol, ammonia, etc. These types of solvents can damage the plastic parts.

Problem solving

1. The motor does not start

- The plug is not in the socket
- The power cord is broken
- The switch is defective. Take the machine to your dealer for repair.

2. The saw cut is not even (jagged)

- The saw blade must be sharpened
- The saw blade is mounted back to front
- The saw blade is clogged with resin or sawdust
- The saw blade is not suitable for the piece of work being used

3. The height and/or mitre lever is obstructed

- Chips and/or dust must be removed

4. The motor has difficulty in reaching full speed

- The extension cord is too thin and/or too long
- The mains voltage is less than 230 V

5. The machine vibrates excessively

- The saw blade is damaged

6. The machine becomes excessively hot

- The ventilation slots are blocked. Clean them out with a dry cloth.

7. The electromotor runs unevenly

- The carbon brushes are worn out. Replace the carbon brushes or consult your dealer.

Lubrication

The machine does not need any extra lubrication.

Faults

Should a fault occur, e.g. after wear of a part, please contact the service address on the warranty card. In the back of this manual you find an exploded view showing the parts that can be ordered.

ENVIRONMENT

To prevent damage during transport the machine is delivered in sturdy packaging. The packaging is made of recyclable material wherever possible, so make use of the possibility of recycling the packaging. When you replace a machine, take the old one to your local dealer. Here it will be dealt with in an environmentally friendly way.



Damaged and/or disposed of electrical or electronic devices must be dropped off at recycling stations intended for that purpose.

Only for EC countries

Do not dispose of power tools into domestic waste. According to the European Guideline 2012/19/EU for Waste Electrical and Electronic Equipment and its implementation into national right, power tools that are no longer usable must be collected separately and disposed of in an environmentally friendly way.

WARRANTY

Read the warranty conditions on the separately supplied warranty card.

The product and the user manual are subject to change. Specifications can be changed without further notice.

RADIALGEHRUNGSSÄGE MSM1039

Vielen Dank für den Kauf dieses Ferm Produkts.

Hiermit haben Sie ein ausgezeichnetes Produkt erworben, dass von einem der führenden Lieferanten Europas geliefert wird.

Alle von Ferm an Sie gelieferten Produkte sind nach den höchsten Standards von Leistung und Sicherheit gefertigt. Teil unserer Firmenphilosophie ist es auch, Ihnen einen ausgezeichneten Kundendienst anbieten zu können, der von unserer umfassenden Garantie unterstützt wird. Wir hoffen, dass Sie viele Jahre Freude an diesem Produkt haben.

Die Zahlen im nachstehenden Text entsprechen den Abbildungen auf Seite 2-3



Lesen Sie diese Bedienungsanleitung aufmerksam, bevor Sie die Maschine in Betrieb nehmen. Machen Sie sich mit der Funktionsweise und der Bedienung vertraut. Warten Sie die Maschine entsprechend der Anweisungen, damit sie immer einwandfrei funktioniert. Die Betriebsanleitung und die dazugehörige Dokumentation müssen in der Nähe der Maschine aufbewahrt werden.

Vorgesehene verwendung

Dieses Elektrowerkzeug ist als feststehende Maschine zum Sägen von Längs- und Querschnitten in Hölzern vorgesehen. Horizontale Gehrungswinkel von -45° bis $+45^\circ$ sowie vertikale Neigungswinkel von -45° sind möglich.



Diese Säge ist nur zum Sägen von Holz bestimmt. Verwenden Sie die Säge nicht, um andere Materialien als Holz zu schneiden.

1. GERÄTEDATEN

Technische daten

Spannung	220-240V, 50Hz
Leistung	1500 W
Geräteklasse	II (Doppelisolierung)
Leerlaufdrehzahl	4.500/min
Sägeblattabmessungen	210x30x2.8 mm

Winkel für Gehrungsschnitt	45° (links und rechts)
Winkel für Schrägschnitt	45° (nur links)
Max. Sägekapazität der paneelsäge	
Gehrungsschnitt 0°, Schrägschnitt 0°	70x305 mm
Gehrungsschnitt 0°, Schrägschnitt 45°	35x305 mm
Gehrungsschnitt 45°, Schrägschnitt 0°	70x210 mm
Gehrungsschnitt 45°, Schrägschnitt 45°	35x210 mm
Gewicht	12 kg
Lpa (Schalldruck)	93.6+3 dB(A)
Lwa (Schalleistung)	106.6+3 dB(A)

Vibrationsstufe

Die im dieser Bedienungsanleitung angegebene Vibrationsemissionsstufe wurde mit einem standardisierten Test gemäß EN62841-1 gemessen; Sie kann verwendet werden, um ein Werkzeug mit einem anderen zu vergleichen und als vorläufige Beurteilung der Vibrationsexposition bei Verwendung des Werkzeugs für die angegebenen Anwendungszwecke.

- die Verwendung des Werkzeugs für andere Anwendungen oder mit anderem oder schlecht gewartetem Zubehör kann die Expositionsstufe erheblich erhöhen
- Zeiten, zu denen das Werkzeug ausgeschaltet ist, oder wenn es läuft aber eigentlich nicht eingesetzt wird, können die Expositionsstufe erheblich verringern

Schützen Sie sich vor den Auswirkungen der Vibration durch Wartung des Werkzeugs und des Zubehörs, halten Sie Ihre Hände warm und organisieren Sie Ihren Arbeitsablauf.

Funktionen

Abb. 1, 2, 3, 4 und 5

1. Ein-/Aus-Schalter
2. Ein-/Aus-Schalter für Laser
3. Einschaltsperr
4. Kohlebürstenabdeckung
5. Sicherungsstift
6. Klingenschutzabdeckung
7. Werkstückklemme
8. Führungsgitter
9. Justierknopf für den Sägewinkel
10. Arretierungsknopf
11. Verriegelungsschaufel
12. Knopf über der gleitenden Stütze
13. Anschluss Staubbeutel
14. Keilwinkel
16. Abdeckung

17. Sägeblattschraube
18. Flansch
19. Schraube
20. Schraubenrückzugsarm
21. Erweiterungsstücke(links und rechts)
22. Verriegelungsknopf Sägeblatt
23. Winkelmesser

2. SICHERHEITSANWEISUNGEN

Bei der Nutzung von Elektrowerkzeugen sollten die grundlegenden Sicherheitshinweise immer eingehalten werden, um die Brandgefahr zu reduzieren. Stromschlag und Personenschaden. Lesen Sie immer die spezifische Produktbetriebsanleitung und die Sicherheitsanweisungen, bevor Sie versuchen, das Elektrowerkzeug zu bedienen und speichern Sie diese Anweisungen.

Installation einer stationären Maschine.

Abb. 6

Bei dieser Maschine handelt es sich um eine stationäre Maschine und aus Sicherheitsgründen muss diese immer fest installiert und darf nicht für mobile Anwendungen verwendet werden. Sie können die Maschine auf zwei Arten installieren:

- a) Als stationäre Maschine auf einer Werkbank.
In dem Fall muss die Maschine mit vier Schrauben an der Werkbank befestigt werden
- b) Als stationäre Maschine auf einem Fahrschemel. In diesem Fall muss die Maschine mit 4 Schrauben auf dem Hilfsrahmen gesichert werden und der Hilfsrahmen mit 4 Schrauben auf der Bodenplatte mit einem Maß von mindestens einem Quadratmeter verankert werden

Symbole

Die folgenden Symbole sind wichtig für den Betrieb Ihres Elektrowerkzeugs. Die korrekten Auslegungen der Symbole hilft Ihnen dabei, das Elektrowerkzeug sicherer zu bedienen



Bezeichnet das Risiko von Personenschaden, Verlust des Lebens oder von Schaden am Werkzeug im Falle der Nichteinhaltung der Anweisungen in diesem Handbuch



Vorsicht, Stromschlaggefahr



Halten Sie Zuschauer fern



Augenschutz tragen



Ohrenschützer tragen. Lärmexposition kann zum Hörverlust führen.



Tragen Sie eine Staubschutzmaske



Gefahrenbereich! Halten Sie die Hände (10 cm) vom Schnittbereich entfernt während die Maschine in Betrieb ist. Verletzungsgefahr, wenn man in Kontakt mit dem Sägeblatt gerät



Richten Sie den Laserstrahl nicht auf Personen oder Tiere und starren Sie nicht in den Laserstrahl, auch nicht aus der Distanz. Dieses Elektrowerkzeug erzeugt einen Laser mit einer Laserstrahlung der Klasse 2 gemäß EN 60825-1. Diese kann dazu führen, dass Personen erblinden



*Scheibenabmessungen Beachten Sie die Abmessungen des Sägeblatts. Der Gesamtdurchmesser muss der Werkzeugspindel ohne Spiel entsprechen. *Verwenden Sie nur einen Füllring, der vom Anbieter angegeben wird, der Füllring darf kein Spiel haben*



Transportieren Sie die Maschine nur, wenn sie in der Eingangstransportposition ist

1. Sicherheit im Arbeitsbereich

- a) Halten Sie den Arbeitsbereich sauber und sorgen Sie dafür, dass er gut beleuchtet ist. Überladene oder dunkle Bereiche begünstigen Unfälle
- b) Benutzen Sie Elektrowerkzeuge nicht in explosionsgefährdeten Bereichen, wie z.B. in der Gegenwart brennbarer Flüssigkeiten, Gase oder Staub. Elektrowerkzeuge erzeugen Funken, die den Staub oder die Dämpfe entzünden können
- c) Halten Sie Kinder und Zuschauer während des Betriebs eines Elektrowerkzeugs in weitem Abstand. Ablenkungen können zum Kontrollverlust führen oder Material kann weggeschoben werden

- d) Lassen Sie die Maschine niemals unbeaufsichtigt, ohne sie zunächst von der Netzspannung abzuklemmen

2. Personensicherheit

- a) Wenn Sie im Umgang mit diesen Maschinen nicht vertraut sind. Am besten lassen Sie sich im Vorfeld von einem Fachmann, einem Ausbilder oder einem Techniker informieren
- b) Bewahren Sie ungenutzte Elektrowerkzeuge außerhalb der Reichweite von Kindern auf. Elektrowerkzeuge sind in den Händen ungeschulter Nutzer gefährlich
- c) Halten Sie Elektrowerkzeuge trocken, sauber und frei von Öl und Fett. Ordnungsgemäß gepflegte Elektrowerkzeuge sind sicherer und einfacher zu kontrollieren. Fettige oder ölige Griffe sind rutschig und können zum Kontrollverlust führen
- d) Stellen Sie sicher, immer ein sauberes und ordentliches Arbeitsumfeld zu haben. Sie könnten ausrutschen oder stolpern
- e) Bleiben Sie aufmerksam, achten Sie darauf, was Sie tun und wenden Sie beim Betrieb eines Elektrowerkzeugs Ihren gesunden Menschenverstand an
- f) Übernehmen Sie sich nicht. Sorgen Sie zu jeder Zeit für den richtigen Halt und für Ausgeglichenheit. Dies ermöglicht eine bessere Kontrolle über das Elektrowerkzeug in unerwarteten Situationen
- g) Arbeiten Sie nicht mit der Maschine, wenn Sie unter Alkohol-, Drogen- oder Medikamenteneinfluss stehen. Unachtsamkeit beim Betrieb von Elektrowerkzeugen kann in sehr gefährlichen Verletzungen resultieren
- h) Tragen Sie immer eine persönliche Schutzausrüstung. Tragen Sie immer Augenschutz, Staubschutzmaske, Ohrenschutz, Sicherheitsschuhe und lediglich bei Wartungsarbeiten an der Maschine oder bei der Verwendung von Rohstoffen Handschuhe. Binden Sie Ihr Haar zusammen. Reduzieren Sie Personenschäden
- i) Seien Sie vorsichtig beim Sägen von Doppelgehungsverbindungen. Das Sägeblatt, das Werkstück und Ihre Hände müssen während des Sägens immer sichtbar sein
- j) Sägen Sie niemals mehr als ein Werkstück gleichzeitig
- k) Stellen Sie sicher, dass das Werkstück frei von

- Nägeln oder sonstigen Fremdkörpern ist
- l) Verarbeiten Sie niemals Metall oder Stein mit dieser Maschine
- m) Arbeiten Sie nicht mit asbesthaltigem Material

3. Sicherheit des Elektrowerkzeugs

Beim ersten Mal, wenn die Maschine verwendet wird und das jedes weitere Mal, wenn die Maschine genutzt wird:



Vor der Durchführung von Arbeiten an der Maschine den Netzstecker von der Stromversorgung trennen.

Allgemein: Prüfen Sie die gesamte Sägemaschine. Falls ein Teil der Maschine fehlt, verbogen, beschädigt oder auf andere Art dysfunktional ist, oder wenn sonstige mechanische und/oder elektrische Fehler auftreten oder sichtbar werden oder wenn die Maschine extrem laute Geräusche macht, dann ziehen Sie das Benutzerhandbuch zu Rate. Falls Fehler an der Maschine erkannt werden, müssen diese alle vor Nutzung der Maschine behoben werden. Es dürfen nur Originalteile verwendet werden!

Falls Sie noch ausstehende Bedenken haben, die Ihre eigene Sicherheit oder die Sicherheit der Maschine gefährden könnten, nehmen Sie bitte mit dem Maschinenanbieter auf.

Elektrisch

- a) Verwenden Sie immer einen Original-Stromstecker, der zur Steckdose passt, verwenden Sie bei geerdeten Elektrowerkzeugen keinen Adapter-Stecker. Nicht modifizierte Stecker und passende Steckdosen reduzieren das Stromschlagrisiko
- b) Verwenden Sie die Maschine nicht mit einem beschädigten Stromkabel. Berühren Sie das beschädigte Kabel nicht und ziehen Sie den Netzstecker, wenn das Kabel während der Arbeit beschädigt ist. Beschädigte Kabel erhöhen das Stromschlagrisiko
- c) Prüfen Sie das Kabel regelmäßig und lassen Sie beschädigte Kabel reparieren. Austausch von Kabeln oder Steckern Werfen Sie alte Kabel oder Stecker sofort weg, wenn diese durch neue ersetzt wurden. Es ist gefährlich, den Stecker eines losen Kabels in die Steckdose zu stecken.

Verwenden Sie das Originalstromkabel und die Originalstecker, Reparaturen dürfen nur von einer autorisierten Person durchgeführt werden, so wird sichergestellt, dass die Sicherheit des Elektrowerkzeugs gewahrt bleibt!

- d) Zur Vermeidung von Stromschlägen. Beim Stecken des Steckers in die Steckdose, dürfen die Metallstifte keinesfalls berührt werden
- e) Setzen Sie Elektrowerkzeuge nicht dem Regen oder nassen Bedingungen aus. Wenn Wasser in ein Elektrowerkzeug eindringt, erhöht dies das Stromschlagrisiko
- f) Verwenden Sie niemals das Kabel, um den Stecker aus der Steckdose zu ziehen. Halten Sie Kabel und Stecker von Öl, Wärme, und spitzen Gegenständen entfernt
- g) Verwenden Sie bei der Nutzung eines Elektrowerkzeugs im Außenbereich ein dafür geeignetes Verlängerungskabel. Die Nutzung eines Kabels für den Außenbereich reduziert das Stromschlagrisiko
- h) Wenn die Maschine mit Laser ausgestattet ist. Richten Sie den Laserstrahl nicht auf Personen oder Tiere und starren Sie nicht in den Laserstrahl. Auch nicht aus der Ferne. Der Laser muss der EN60825-1, Klasse 2 entsprechen.
- i) Laserreparaturen dürfen nur vom Laserhersteller oder von einem Fachmann durchgeführt werden
- j) Verwenden Sie eine Fehlerstromschutzvorrichtung, wenn der Betrieb eines Elektrowerkzeugs an einem feuchten Ort unvermeidbar ist. Die Nutzung einer Fehlerstromschutzvorrichtung reduziert das Stromschlagrisiko

Mechanisch

- a) Lassen Sie die Maschine frei drehen, bis sie die Maschinenanzahl erreicht, bevor Sie die Maschine starten. Prüfen Sie die verschiedenen Positionen der Sägemaschine, wenn das Sägeblatt frei dreht, wenn das Sägeblatt etwas berührt, muss die Maschine justiert oder repariert werden
- b) Verwenden Sie das Stromwerkzeug nicht, wenn es sich nicht mit dem Schalter ein- und ausschalten lässt. Ein Stromwerkzeug, dass nicht mit dem Schalter kontrolliert werden kann, muss repariert werden
- c) Verwenden Sie Sägeblätter immer in der richtigen Größe und Form. Nutzen Sie die vom Hersteller empfohlenen Sägeblätter (EN-847-1)

Sägeblätter, die nicht den Befestigungsteilen der Säge entsprechen, zerstören außermittig und verursachen Kontrollverlust.

- d) Verwenden Sie niemals zu kleine oder zu große Sägeblätter. Das ist sehr gefährlich
- e) Entfernen Sie niemals die Markierung auf einem Sägeblatt. Technische Informationen müssen immer sichtbar sein, um beim Austausch der Sägeblätter die richtigen Entscheidungen zu treffen
- f) Sichern Sie das Werkstück. Klemmen Sie das Werkstück immer mit Klemmvorrichtungen fest, das ist viel sicherer als mit der Hand
- g) Lassen Sie die Maschine niemals allein, bevor Sie vollständig zum Stillstand gekommen ist
- h) Verwenden Sie keine Sägeblätter aus Schnellarbeitsstahl. Verursacht, dass das Sägeblatt schnell bricht
- i) Verwenden Sie keine stumpfen, abgebrochenen, verbogenen oder beschädigten Sägeblätter. Ziehen Sie vor dem Gebrauch den Netzstecker und prüfen Sie das Sägeblatt. Verursacht, dass beschädigte oder stumpfe Sägeblätter schmale Kerben, übermäßige Reibung, Sägeblattbindung und Rückschläge erzeugen. Tauschen Sie beschädigte Sägeblätter sofort aus, verwenden Sie immer Original-Flansche, Muttern und Schrauben
- j) Entfernen Sie alle Einstellschlüssel oder Schraubenschlüssel, bevor Sie das Elektrowerkzeug drehen. Ein Schraubenschlüssel oder ein neben einem rotierenden Teil des Elektrowerkzeugs liegend gelassener Schlüssel kann zu Personenschäden und zu einer sehr gefährlichen Situation führen
- k) Der auf dem Sägeblatt eingezeichnete Pfeil weist auf die Drehrichtung hin. Muss in die gleiche Richtung zeigen wie der auf der Maschine gekennzeichnete Pfeil, die Sägeblattzähne müssen vorne an der Säge nach unten zeigen
- l) Berühren Sie das Sägeblatt nach der Arbeit nicht, bis es abgekühlt ist. Das Sägeblatt wird während der Arbeit sehr heiß
- m) Schützen Sie das Sägeblatt vor Schlägen und Stößen. Wenden Sie keinen Seitendruck auf das Sägeblatt an
- n) Üben Sie keine Kraft auf das Elektrowerkzeug aus. Verwenden Sie das für Ihre Anwendung richtige Elektrowerkzeug. Das korrekte Elektrowerkzeug wird den Job besser und sicherer zu dem Preis, zu dem es erworben wurde

- o) Stellen Sie sich niemals auf das Elektrowerkzeug. Das Umkippen des Elektrowerkzeugs kann ernsthafte Verletzungen verursachen. Verwenden Sie immer eine zusätzliche Stütze, um der Maschine mehr Stabilität zu bieten
- p) Die Maschine ist mit Vorrichtungen für den Anschluss eines Entstaubungssystems ausgestattet, stellen Sie sicher, dass dieses angeschlossen und ordnungsgemäß verwendet wird. Staubabsaugung reduziert staubbezogene Gefahren
- q) Warten Sie die Lufteinlässe an der Maschine. Staubansammlungen müssen entfernt werden.
- r) Stellen Sie sicher, dass der Schutz ordnungsgemäß funktioniert und dass er sich frei bewegen kann. Den Schutz niemals verriegeln, wenn er geöffnet ist
- s) Schnittreste niemals aus dem Sägebereich entfernen, während die Maschine in Betrieb ist. Den Werkzeugarm immer zuerst in die neutrale Position zurückführen und dann die Maschine ausschalten
- t) Führen Sie das Sägeblatt nur gegen das Werkstück, wenn die Maschine eingeschaltet ist. Ansonsten besteht ein Rückschlagrisiko, wenn das Sägeblatt im Werkstück eingekeilt wird
- u) Falls das Sägeblatt eingeklemmt wird. Schalten Sie die Maschine aus und halten Sie das Werkstück fest, bis das Sägeblatt komplett zum Stillstand gekommen ist
- v) Um einen Rückschlag zu vermeiden. Das Werkstück darf nicht bewegt werden, bis die Maschine komplett zum Stillstand gekommen ist. Korrigieren Sie die Ursache für das Einklemmen des Sägeblatts, bevor Sie die Maschine neustarten
- w) Beim Sägen von Profilabschnitten, runden Stücken oder sonstigen Stücken das Werkstück immer gegen den Stopp pressen, so dass es sich nicht bewegen kann, damit es sich während des Sägens nicht drehen oder bewegen kann.
- x) Verwenden Sie die Maschine niemals, um Werkstücke zu sägen, die so klein sind, dass Sie nicht gesichert werden können. Kleine Holzstücke oder sonstige Gegenstände, die in Kontakt mit dem rotierenden Sägeblatt kommen, können den Bediener oder Zuschauer bei hoher Geschwindigkeit treffen
- y) Zum Sägen aller Arbeiten immer zusätzliche Stützen verwenden

- z) Zum Sägen eines nicht gestützten, großen Werkstücks. Zusätzliche Stützen verwenden
- aa) Machen Sie Warnschilder auf der Maschine niemals unkenntlich. Technische Informationen oder Informationen zum Maschinentyp müssen auf der Maschine sichtbar sein.

Am Ende des Sägeprozesses den Sägekopf nach unten halten, die Maschine ausschalten und warten, bis alle beweglichen Teile zum Stillstand gekommen sind, bevor Sie die Maschine loslassen

3. ZUSAMMENBAU UND ZUBEHÖR

Installation der Gehrungssäge

- Stellen Sie eine Seitenleiste (21) rechts neben die Maschine und die andere Seitenleiste links neben die Maschine.
- Platzieren Sie die Werkstückklemme (7) links oder rechts neben die Maschine.
- Halten Sie den Handgriff fest, bewegen Sie die Säge leicht nach unten und ziehen Sie den Stift (5) leicht heraus, so dass sich die Säge nach oben bewegt.

Hinweis: Verwenden Sie die Gehrungssäge niemals ohne die im Lieferumfang enthaltenen Erweiterungsstücke. Stellen Sie sicher, dass diese korrekt montiert sind.

Schiebegitter

Abb.2

Aus Sicherheitsgründen ist diese Maschine mit einem beweglichen Führungsgitter zum Gebrauch beim normalen und Schrägschneiden ausgestattet.

- Bei normalen geraden Querschnitten und Gehrungsschnitten das Führungsgitter (8) immer mit dem Ende justieren und gut fixieren, um dem Werkstück eine sichere Stütze zu geben.
- Bei Gehrungsschnitten das Schiebegitter (8) in eine geeignete Position in der Nähe der Sägeblattoberfläche justieren, aber eine Interferenz der Sägeblattbewegung muss vermieden werden und es ist auf eine sichere Fixierung zu achten.

Austausch der Sägeblätter

Abb. 4 und 5



Verwenden Sie nur Sägeblätter, die scharf und nicht beschädigt sind. Sie müssen abgebrochene oder verbogene Sägeblätter sofort austauschen.

GEFAHR: Verwenden Sie kein Sägeblatt, das größer als die angegebene Leistung der Säge ist. Es könnte mit dem Blattschutz kommen und Schäden verursachen.

Verwenden Sie kein Sägeblatt, das zu dick ist und verhindert, dass die Sägeblattscheibe in die Flächen auf der Spindel greifen kann. Dies verhindert, dass die Sägeblattschraube das Sägeblatt auf der Spindel sichert. Verwenden Sie die Säge nicht zum Schneiden von Metall oder Mauerwerk

- Trennen Sie die Maschine von der Stromversorgung.
- Entfernen Sie die Schraube (20), die den Rückzugsarm an der Sägeblattabdeckung hält.
- Entfernen Sie die Schraube (19), um die Schraubenabdeckung durch Anheben der Sägeblattabdeckung (6) zu abzunehmen.
- Sowohl Sägeblattschraube (17) als auch Flansch (18) sollten nun sichtbar sein, wie in Abb. 5 dargestellt.
- Drücken Sie den Sägeblattsperrknopf (22)
Drehen Sie das Sägeblatt vorsichtig mit der Hand, bis das Sägeblatt einrastet.
- Verwenden Sie den Innensechskant-Schraubendreher, um die Sägeblattschraube (17) durch Lösen im Uhrzeigersinn zu entfernen.
- Entfernen Sie den Flansch (18) und das Sägeblatt
- Ersetzen Sie das Sägeblatt und stellen Sie sicher, dass der auf dem Sägeblatt markierte Pfeil in die gleiche Richtung zeigt wie der auf der Maschine gekennzeichnete Pfeil. Die Sägeblattzähne müssen nach unten zeigen.
- Fixieren Sie die Sägeblattschraube (17) fest, verwenden Sie den Sägeblatt-Sperrknopf (22), um sie festzuziehen
- Senken Sie die Sägeblattabdeckung (6), damit die Schraubenabdeckung wieder auf ihren Platz zurück kann und ziehen Sie die Schraube (19) fest
- Befestigen Sie den Rückzugsarm wieder auf

der Sägeblattabdeckung (6), indem Sie die Schraube (20) festziehen

- Drehen Sie das Sägeblatt und prüfen Sie, ob der Schutz sich frei bewegen kann

Justierung des Schnittwinkels

Abb. 1 und 2

Justierung der Gehrungswinkel

Der Gehrungswinkel kann zwischen 45° links und 45° rechts eingestellt werden

- Lösen Sie den Arretierungsknopf (10)
- Drücken Sie die Verriegelungsschaukel (11) und drehen Sie den Sägertisch mit dem Verriegelungsknopf (10) nach links oder rechts, bis der Winkelmesser (23) den erforderlichen Winkel anzeigt.
- Lösen Sie die Verriegelungsschaukel (11) und ziehen Sie den Verriegelungsknopf (10) fest
- Voreinstellungen (Schnelleinstellungen) bei den folgenden Graden: -45°, -30°, -22.5°, -15°, 0°, 15°, 22.5°, 30°, 45°.
- Drücken Sie die Verriegelungsschaukel (11) beim Drehen der Grundplatte, lösen Sie die Schaukel, bevor die erforderlichen Grade erreicht werden und die Platte wird eigenständig mit einem "Klick" in die Voreinstellung einrasten.

Justierung des Keilwinkels

Abb. 1 und 3

Der Keilwinkel kann zwischen 0° und 45° eingestellt werden.

- Lösen Sie den Einstellknopf (9)
- Kippen Sie die Säge mit dem Griff, bis der Winkelmesser (14) den erforderlichen Winkel anzeigt.
- Ziehen Sie den Einstellknopf (9) fest

Austausch der Kohlebürsten

Abb. 2

- Trennen Sie die Maschine von der Stromversorgung
- Schrauben Sie die Abdeckung (4) ab.
- Ersetzen Sie die Kohlebürsten mit dem exakt gleichen Bürstentyp
- Ziehen Sie die Abdeckung (4) wieder fest.

Hinweis: Ersetzen Sie immer beide Kohlebürsten gleichzeitig, verwenden Sie niemals eine Mischung aus alten und neuen Bürsten.

Befestigung des Staubbeutels

Abb. 1

Drücken Sie die Klemme des Staubbeutels (13) ein und schieben Sie sie auf die Öffnung an der Rückseite der Maschine. Die Staubbeutel bleiben beim Lösen der Klemme an ihrem Platz.

4. BEDIENUNG

Benutzung der gehrungssäge

Abb. 1



Überprüfen Sie das Gerät vor dem Gebrauch immer auf Mängel oder Fehler!

- Stellen Sie den gewünschten Sägewinkel des Geräts ein.
- Stecken Sie den Stecker in die Steckdose:
- Fixieren Sie das Werkstück mit Hilfe der Klammern (7): Vergewissern Sie sich dabei, dass das Material richtig an seinem Platz aufgespannt ist!
- Halten Sie das Material an der linken Seite gut fest und vergewissern Sie sich gleichzeitig, dass zwischen Ihnen und dem Sägeblatt ein ausreichender Abstand vorhanden ist.
- Um die Maschine einzuschalten, halten Sie die Einschaltsperr (3) gedrückt und drücken Sie gleichzeitig auf den Ein-/Aus-Schalter (1).
- Vergewissern Sie sich, dass das Sägeblatt seine volle Drehzahl erreicht hat, bevor es das zu sägende Werkstück berühren kann.
- Bewegen Sie die Säge jetzt langsam nach unten, sodass das Sägeblatt das Werkstück durchsägt und sich durch den Schlitz im Tisch bewegt. Üben Sie auf die Säge keinerlei Druck aus. Geben Sie dem Gerät Zeit, das Werkstück durchzusägen.
- Bewegen Sie das Gerät wieder vorsichtig nach oben und schalten Sie es durch Loslassen des Schalters (1) aus.

Nutzung der Gleitfunktion

Abb. 1



Die Maschine muss fest mit einer Werkbank verschraubt sein.

Verwenden Sie die Gleitfunktion, um breite Werkstücke zu sägen:

- Fixieren Sie das Werkstück mit der Klemme
- Lösen Sie den Knopf (12)
- Schieben Sie die Maschine komplett in Ihre Richtung
- Schalten Sie die Maschine mit dem Schalter ein
- Senken Sie die Säge langsam, so dass die Säge durch das Werkstück sägt
- Schieben Sie die Maschine langsam zurück
- Ziehen Sie die Maschine wieder leicht nach oben und schalten Sie sie mit dem Schalter aus

Verwendung des Lasers

Abb. 2

- Um den Laser einzuschalten, drücken Sie auf den Ein-/Aus-Schalter 2.
- Um den Laser auszuschalten, lassen Sie den Ein-/Aus-Schalter 2 los.

Transportposition

Wenn Sie die Säge bewegen, achten Sie darauf, dass sie eingeklappt ist. Überprüfen Sie, ob alle Sperr- und Spannvorrichtungen gesichert sind:

- Vergewissern Sie sich, dass der Gehrungswinkel auf 0° eingestellt ist
- Vergewissern Sie sich, dass der Neigungswinkel auf 0° eingestellt ist
- Sichern Sie den Knopf zur Einstellung des Sägewinkels (9), indem Sie ihn im Uhrzeigersinn drehen
- Schieben Sie die Maschine vollständig in Ihre Richtung
- Verriegeln Sie die Gleitfunktion, indem Sie den Knopf über die Gleithalterung (12) im Uhrzeigersinn drehen
- Entriegeln Sie den Verriegelungsstift (5) auf der rechten Seite der Maschine
- Schieben Sie die Maschine vollständig nach unten
- Verriegeln Sie den Verriegelungsstift (5) auf der rechten Seite der Maschine

Heben Sie die Maschine nur an der festen Unterseite der Maschine an. Heben Sie die Säge nicht am Schaltergriff an.

5. SERVICE UND WARTUNG



Vergewissern Sie sich immer, dass das Gerät nicht an das Netz angeschlossen ist, wenn Sie Wartungsarbeiten an dem Mechanismus vornehmen.

Gleitschienen

Schmutz kann die Gleitschienen und somit die Funktion der Säge beschädigen.

- Reinigen Sie die Gleitschienen regelmäßig mit einem weichen Tuch.
- Geben Sie etwas Schmieröl auf die Gleitschienen.
- Bewegen Sie die Gehrungssäge vorwärts und rückwärts, sodass sich das Öl komplett über die Schienen verteilen kann.

Geräte sind dafür ausgelegt, über einen langen Zeitraum problemlos und mit minimaler Wartung zu arbeiten. Durch regelmäßiges Reinigen des Geräts und richtige Benutzung können Sie zu einer langen Lebensdauer des Geräts beitragen.

Reinigung

Reinigen Sie das Gerätegehäuse regelmäßig mit einem weichen Tuch, vorzugsweise nach jeder Benutzung. Vergewissern Sie sich, dass die Belüftungsschlitze frei von Staub und Schmutz sind. Entfernen Sie hartnäckigen Schmutz mit einem weichen, mit Seifenwasser angefeuchteten Tuch. Verwenden Sie niemals Lösungsmittel wie Benzol, Alkohol, Ammoniak usw., da diese Lösungsmittel die Kunststoffteile beschädigen können.

Problemlösung

1. Der Motor läuft nicht an

- Der Stecker ist nicht in der Steckdose.
- Das Netzkabel ist unterbrochen.
- Der Schalter ist defekt. Bringen Sie das Gerät zwecks Reparatur zu Ihrem Vertragshändler.

2. Der Sägeschnitt ist nicht gleichmäßig (ist eingekerbt)

- Das Sägeblatt muss geschärft werden.
- Das Sägeblatt ist mit der Rückseite nach vorn eingebaut.
- Das Sägeblatt ist durch Harz oder Sägespäne verstopft.
- Das Sägeblatt ist für das betreffende Werkstück nicht geeignet.

3. Der Höhen- und/oder Gehrungsschnitthebel ist verstopft

- Späne und/oder Staub müssen entfernt werden.

4. Der Motor erreicht die volle Drehzahl nur schwer

- Das Verlängerungskabel ist zu dünn und/oder zu lang
- Die Netzspannung beträgt weniger als 230 Volt.

5. Das Gerät vibriert übermäßig

- Das Sägeblatt ist beschädigt.

6. Das Gerät wird zu heiß

- Die Belüftungsschlitze sind blockiert. Schlitze mit einem trockenen Tuch reinigen.

7. Der Elektromotor läuft ungleichmäßig

- Die Kohlebürsten sind abgenutzt. Erneuern Sie die Kohlebürsten oder fragen Sie Ihren Vertragshändler.

Schmieren

Die Maschine braucht keine zusätzliche Schmierung.

Störungen

Sollte beispielsweise nach Abnutzung eines Teils ein Fehler auftreten, dann setzen Sie sich bitte mit der auf der Garantiekarte angegebenen Serviceadresse in Verbindung.

Im hinteren Teil dieser Anleitung befindet sich eine ausführliche Übersicht über die Teile, die bestellt werden können.

UMWELT

Um Transportschäden zu verhindern, wird die Maschine in einer soliden Verpackung geliefert. Die Verpackung besteht weitgehend aus verwertbarem Material. Benutzen Sie also die Möglichkeit zum Recyceln der Verpackung.



Schadhafte und/oder entsorgte elektrische oder elektronische Geräte müssen an den dafür vorgesehenen Recycling-Stellen abgegeben werden.

Nur für EG-Länder

Entsorgen Sie Elektrowerkzeuge nicht über den Hausmüll. Entsprechend der Europäischen Richtlinie 2012/19/EU für Elektro- und Elektronikschrott sowie der Einführung in das nationale Recht müssen Elektrowerkzeuge, die nicht mehr im Gebrauch sind, getrennt gesammelt und umweltfreundlich entsorgt werden.

GARANTIE

Lesen Sie die Garantiebedingungen auf der separat beigefügten Garantiekarte.

Das Produkt und das Benutzerhandbuch können geändert werden. Die technischen Daten können ohne Vorankündigung geändert werden.

RADIAALAFKORTZAAG**MSM1039****Hartelijk dank voor de aanschaf van dit Ferm product.**

Hiermee heeft u een uitstekend product aangeschaft van één van de toonaangevende Europese distributeurs. Alle Ferm producten worden gefabriceerd volgens de hoogste prestatie- en veiligheidsnormen. Deel van onze filosofie is de uitstekende klantenservice die wordt ondersteund door onze uitgebreide garantie. Wij hopen dat u vele jaren naar tevredenheid gebruik zult maken van dit product.

De nummers in de nu volgende tekst verwijzen naar de afbeeldingen op pagina 2-3

Lees deze gebruiksaanwijzing zorgvuldig door, voor u de machine in gebruik neemt. Maak u vertrouwd met de werking en de bediening. Onderhoud de machine volgens de aanwijzingen, zodat zij altijd naar behoren blijft functioneren. Deze gebruiksaanwijzing en de bijbehorende documentatie dienen in de buurt van de machine bewaard te worden.

Inleiding

Het elektragereedschap is bedoeld als een stationaire machine voor het maken van rechte lengte- en dwarsneden in hout. Horizontale verstekhoeken van -45° tot $+45^\circ$ en verticale schuine hoeken van -45° behoren tot de mogelijkheden.



Deze zaag is alleen bedoeld voor het zagen van hout. Gebruik de zaag niet om andere materialen te zagen.

1. TECHNISCHE SPECIFICATIES**Machinegegevens**

Spanning	220-240 V, 50Hz
Vermogen	1500 W
Machineklasse	II (dubbel geïsoleerd)
Toerental onbelast	4.500/min
Zaagblad afmeting	210x30x2.8 mm
Hoek voor verstekzagen	45° (links en rechts)
Hoek voor afschuinen	45° (alleen links)
Max. zaagcapaciteit afkortzaag:	

Verstek 0°, Schuin 0°	70x305 mm
Verstek 0°, Schuin 45°	35x305 mm
Verstek 45°, Schuin 0°	70x210 mm
Verstek 45°, Schuin 45°	35x210 mm
Gewicht	12 kg
Lpa (geluidsdruk)	93.6+3 dB(A)
Lwa (geluidsvermogen)	106.6+3 dB(A)

Trillingsniveau

Het trillingsemissieniveau, dat in deze gebruiks-aanwijzing wordt vermeld, is gemeten in overeenstemming met een gestandaardiseerde test volgens EN62841-1; deze mag worden gebruikt om twee machines met elkaar te vergelijken en als voorlopige beoordeling van de blootstelling aan trilling bij gebruik van de machine voor de vermelde toepassingen

- gebruik van de machine voor andere toepassingen, of met andere of slecht onderhouden accessoires, kan het blootstellingsniveau aanzienlijk verhogen
- wanneer de machine is uitgeschakeld of wanneer deze loopt maar geen werk verricht, kan dit het blootstellingsniveau aanzienlijk reduceren

Bescherm uzelf tegen de gevolgen van trilling door de machine en de accessoires te onderhouden, uw handen warm te houden en uw werkwijze te organiseren

Kenmerken

Afb. 1, 2, 3, 4 en 5

1. Aan/Uit-schakelaar
2. Aan/Uit-schakelaar laser
3. Ontgrendelingsknop
4. Afdekkap koolborstels
5. Vergrendelingspin
6. Beschermkap zaagblad
7. Werkstuklem
8. Geleider
9. Zaaghoek afstelknop
10. Vergrendelingsknop
11. Vergrendeling
12. Knop van glijdende ondersteuning
13. Stofzak aansluiting
14. Verstekhoek
16. Beschermkap
17. Zaagbladbout
18. Flens
19. Schroef

20. Schroef zaagarm
21. Zijsteunen (links en rechts)
22. Zaagblad vergrendelingsknop
23. Hoek indicator

2. VEILIGHEIDSINSTRUCTIES

Tijdens het gebruik van elektrische gereedschappen moeten de standaard veiligheidsvoorschriften altijd worden opgevolgd om het risico op brand, elektrische schokken en persoonlijk letsel te verminderen.

Lees altijd de handleiding en de veiligheidsvoorschriften van een elektrisch apparaat voordat u het apparaat gebruikt en berg de handleiding veilig op.

Het plaatsen van een stationaire machine

Fig. 6

Deze machine is een stationaire machine en moet voor veiligheidsredenen stevig vast worden gemonteerd en mag niet worden gebruikt voor mobiele applicaties. U kunt de machine op twee manieren installeren:

- a) Als stationaire machine op een werkbank. In dit geval moet de machine met 4 bouten aan de werkbank worden gemonteerd
- b) Als stationaire machine op een frame. In dit geval moet de machine met 4 bouten aan het frame worden gemonteerd, en moet het frame met 4 bouten worden verankerd in een grondplaat met een afmeting van ten minste 1 vierkante meter

Symbolen

De volgende symbolen zijn belangrijk voor de werking van uw elektrisch gereedschap. Het juist interpreteren van de symbolen helpt u uw elektrisch gereedschap veilig te gebruiken



Geeft risico op persoonlijk of dodelijk letsel of schade aan de machine aan als de instructies in de handleiding niet worden opgevolgd



Pas op, risico op elektrische schok



Houd omstanders op afstand



Draag oogbescherming



Draag gehoorbescherming. Blootstelling aan lawaai kan gehoorverlies veroorzaken.



Draag een stofmasker



Gevaarlijk gebied! Houd uw handen (10cm) van het zaaggebied verwijderd



Richt de laserstraal niet op personen of dieren en kijk zelf ook niet in de laser, zelfs niet van een afstand. Dit elektrisch gereedschap gebruikt een klasse 2 straling in overeenstemming met de NEN-EN 60825-1. Deze straling kan personen verblinden



Zaagblad afmetingen. Houd altijd rekening met de afmetingen van het zaagblad. De volledige diameter moet gelijk zijn aan de as van het apparaat, zonder speling.

**Gebruik alleen een vulring als deze wordt aangeraden door de leverancier, met een vulring hebt u wellicht geen speling*



Transporteer de machine alleen als deze in de inwaartse transport positie staat

1. Werkgebied veiligheid

- Houd het werkgebied goed schoon en goed verlicht. Rommelige of donkere werkgebieden vragen om ongelukken
- Gebruik geen elektrische gereedschappen in explosieve situaties, zoals in de nabijheid van ontvlambare vloeistoffen, gassen of stof. Elektrische gereedschappen maken vonken die het stof of de gassen kunnen ontsteken
- Houd kinderen en omstanders uit de buurt terwijl u het elektrische gereedschap bedient. Door afleidingen kunt u de controle verliezen, of het materiaal kan wegschieten
- Laat de machine nooit onbeheerd zonder dat u eerst de stekker uit het stopcontact trekt

2. Persoonlijke veiligheid

- Als u niet bekend bent met het gebruik van dit soort machines. Dan kunt u beter eerst

informatie inwinnen bij een professional, instructeur of monteur

- Berg ongebruikte elektrische machines op buiten het bereik van kinderen. Elektrische gereedschappen kunnen erg gevaarlijk zijn in de handen van ongetrainde gebruikers
- Houd elektrische gereedschappen droog, schoon en vrij van olie en vet. Juist onderhouden elektrische gereedschappen zijn veiliger en eenvoudiger onder controle te houden. Vette olie handvatten zijn glibberig waardoor u de controle kunt verliezen
- Zorg ervoor dat uw werkgebied altijd schoon en netjes is. U kunt uitglijden of struikelen
- Let altijd op en kijk goed uit wat u doet en gebruik uw verstand tijdens het bedienen van elektrisch gereedschap
- Reik niet te ver. Sta altijd stevig en gebalanceerd op de grond. Hierdoor hebt u betere controle over het elektrische gereedschap in onverwachte situaties
- Werk niet met de machine als u onder invloed bent van alcohol, drugs of medicijnen. Onoplettendheid tijdens het werken met elektrische gereedschappen kan resulteren in gevaarlijk letsel
- Gebruik altijd persoonlijke beschermingsmiddelen. Draag altijd oogbescherming, stofmasker, gehoorbescherming, veiligheidschoenen en gebruik handschoenen tijdens onderhoud of als u met ruwe materialen werkt. Houdt uw haar opgebonden. Verminder persoonlijk letsel
- Pas goed op wanneer u een dubbel verstek zaagt. Het zaagblad, werkstuk en uw handen moeten tijdens het zagen altijd zichtbaar zijn
- Zaag nooit meer dan één werkstuk tegelijk
- Controleer dat er geen spijkers of andere objecten in het werkstuk zitten
- Zaag nooit metalen of steen met de machine
- Werk niet met materialen die asbest bevatten

3. Elektrisch gereedschap veiligheid

De eerste keer dat de machine wordt gebruikt en alle daarna volgende gebruiken:



Trek voordat u onderhoud aan de machine uitvoert altijd eerst de stekker uit het stopcontact.

Algemeen: Controleer de hele zaagmachine. Als een onderdeel van de machine mist, is gebogen, beschadigd of op een andere manier niet meer functioneert, of als een mechanische en/of elektrische storing zichtbaar is, of als de machine een extreem hard geluid maakt, kijk dan in de handleiding.

Als een storing aan de machine wordt gedetecteerd moet deze eerst worden verholpen voordat de machine mag worden gebruikt. Alleen originele onderdelen mogen worden gebruikt!

Als u zorgen of vragen hebt die uw veiligheid of de veiligheid van de machine kan beïnvloeden, neem dan a.u.b. contact op met de leverancier van de machine.

Elektrisch

- a) Gebruik altijd een originele stekker die in het stopcontact past, gebruik geen adapter met gearde elektrische gereedschappen. Originele stekkers en passende stopcontacten verminderen het risico op een elektrische schok
- b) Gebruik de machine niet met een beschadigd netsnoer. Raak de beschadigde kabel niet aan en trek de stekker uit het stopcontact als de kabel tijdens het werken beschadigd. Beschadigde kabels vergroten het risico op een elektrische schok
- c) Controleer de kabel regelmatig en laat een beschadigde kabel repareren. Kabels of stekkers vervangen. Gooi oude kabels of stekkers meteen weg nadat ze zijn vervangen door nieuwe. Het is gevaarlijk om de stekker van een losse kabel in een stopcontact te steken. Gebruik originele kabels en stekkers, laat reparaties alleen uitvoeren door geautoriseerde personen, dit zorgt ervoor dat de veiligheid van het elektrisch gereedschap wordt behouden!
- d) Om elektrische schokken te voorkomen. Tijdens het insteken van de stekker in het stopcontact mogen de metalen pinnen op geen enkele manier worden aangeraakt
- e) Stel elektrische gereedschappen niet bloot aan regen en natte omstandigheden. Als water in het elektrisch gereedschap binnendringt verhoogt dit de kans op een elektrische schok
- f) Gebruik nooit de kabel om de stekker uit het stopcontact te trekken. Houd de kabel uit de buurt van olie, warmte en scherpe objecten
- g) Gebruik wanneer u elektrisch gereedschap

buiten gebruikt altijd een verlengsnoer dat geschikt is voor buitenshuis gebruik. Het gebruik van een verlengsnoer geschikt voor buitenshuis gebruik vermindert het risico op een elektrische schok

- h) Als de machine is uitgerust met een laser. Richt de laserstraal niet op personen of dieren en kijk zelf ook niet in de laser. Zelfs niet van een afstand. De laser moet voldoen aan NEN-EN 60825-1 Klasse 2.
- i) Reparaties aan een laser mogen alleen worden uitgevoerd door de fabrikant van de laser of een specialist
- j) Als het gebruik van elektrisch gereedschap in een vochtige ruimte niet kan worden voorkomen, gebruik dan een altijd een aardlekschakelaar. Het gebruik van een aardlekschakelaar vermindert het risico op een elektrische schok

Mechanisch

- a) Controleer dat de machine vrij draait voordat u de machine gebruikt. Controleer op verschillende plaatsen dat het zaagblad vrij kan draaien, als de zaag iets aanraakt moet de machine worden afgesteld of worden gerepareerd
- b) Gebruik het elektrisch gereedschap niet als de schakelaar het apparaat niet in- en uitschakelt. Elektrisch gereedschap dat niet met de schakelaar kan worden bediend is gevaarlijk en moet worden gerepareerd
- c) Gebruik altijd zaagbladen met de juiste grootte en vorm. Gebruik zaagbladen die worden aangeraden door de fabrikant (NEN-EN-847-1). Zaagbladen die niet voldoen aan de specificaties van de zaag zullen excentrisch draaien waardoor u de controle over het apparaat verliest.
- d) Gebruik nooit te kleine of te grote zaagbladen. Dit is erg gevaarlijk.
- e) Verwijder nooit de markeringen op het zaagblad. Technische informatie moet altijd zichtbaar zijn om de juiste keuzes te maken tijdens het wisselen van het zaagblad
- f) Klem het werkstuk goed vast. Klem het werkstuk altijd goed vast met klemmen, dit is veel veiliger dan met uw handen
- g) Verlaat de machine nooit voordat hij volledig stilstaat
- h) Gebruik geen sneldraaistaal (HSS) zaagbladen. Deze kunnen makkelijk breken

- i) Gebruik nooit botte, gescheurde, gebogen en beschadigde zaagbladen. Trek voor het gebruik de stekker uit het stopcontact en controleer het zaagblad. Beschadigde of botte zaagbladen veroorzaken nauwe zaagsneden, overmatige wrijving, lopen vast en geven terugslag. Vervang beschadigde zaagbladen onmiddellijk, gebruik altijd originele flensen, moeren en bouten
- j) Verwijder stelsleutels of steeksleutels voordat u het elektrisch gereedschap inschakelt. Een moersleutel of steeksleutel die aan een draaiend deel van het elektrisch gereedschap blijft zitten kan resulteren in persoonlijk letsel en erg gevaarlijke situaties
- k) De pijl op het zaagblad geeft de draairichting aan. Moet naar dezelfde richting wijzen als de pijl op de machine, de tanden van het zaagblad moeten naar beneden wijzen aan de voorkant van de zaag
- l) Raak het zaagblad na de werkzaamheden niet aan totdat deze is afgekoeld. Het zaagblad wordt tijdens het werken erg warm
- m) Bescherm de zaag tegen klappen en schokken. Voer geen druk uit tegen de zijkant van het zaagblad
- n) Forceer het elektrisch gereedschap niet. Gebruik het juiste elektrisch gereedschap voor uw werkzaamheden. Het juiste elektrisch gereedschap klaart de klus beter en veiliger als deze hiervoor is ontworpen
- o) Ga nooit op het elektrisch gereedschap staan. U kunt ernstig letsel oplopen als het elektrisch gereedschap omvalt. Gebruik altijd extra ondersteuning voor meer stabiliteit van het elektrisch gereedschap
- p) De machine wordt geleverd met de mogelijkheid stofzuiging aan te sluiten, zorg ervoor dat deze juist worden aangesloten en gebruikt. Stofafzuiging vermindert de stof gerelateerde gevaren
- q) Onderhoud de luchttoevoergaten van de machine. Opgehoopt stof moet worden verwijderd.
- r) Zorg ervoor dat de beschermkap juist werkt en dat deze vrij kan bewegen. Vergrendel de beschermkap nooit als deze is geopend
- s) Verwijder nooit zaagresten uit het zaaggebied als de machine nog draait. Geleid de zaagarm eerst altijd naar de neutrale positie en schakel daarna de machine uit
- t) Geleid het zaagblad alleen tegen het werkstuk als de machine is ingeschakeld. Anders kan er terugslag optreden als de machine vastloopt in het werkstuk
- u) Als het zaagblad vastloopt. Schakel de machine uit en houd het werkstuk vast totdat het zaagblad volledig stilstaat
- v) Om terugslag te voorkomen. Het werkstuk mag niet worden verplaatst totdat de machine volledig is gestopt. Verhelp de reden voor het vastlopen van het zaagblad voordat u de machine herstart
- w) Als u profiel secties, ronde stukken of andere stukken zaagt, druk het werkstuk dan altijd tegen de steun zodat het niet kan bewegen, zodat het niet kan schuiven of draaien tijdens het zagen.
- x) Gebruik de machine nooit voor het zagen van kleine stukken die niet veilig kunnen worden geklemd. Kleine stukken hout of andere objecten die in contact komen met de draaiende zaag kunnen de gebruiker en omstanders met hoge snelheid raken
- y) Gebruik voor het zagen van alle werkstukken voldoende ondersteuning
- z) Voor het zagen van lange werkstukken die niet worden ondersteund. Gebruik extra steunen
- aa) Maak waarschuwingstekens op de machine nooit onherkenbaar. Technische informatie of machine type informatie moet altijd zichtbaar zijn op de machine.

Houd aan het einde van het zaagproces de zaag naar beneden, schakel de machine uit en wacht tot alle bewegende delen volledig stilstaan voordat u uw handen van de machine afhaalt

3. ASSEMBLAGE EN ACCESSOIRES

Installatie van de verstekzaag

- Plaats één van de zijsteunen (21) aan de rechterkant van de machine en de andere zijsteun aan de linkerkant van de machine.
- Plaats de werkstukkleem (7) aan de linker of rechterkant van de machine.
- Houd de handgreep vast en beweeg de zaag een klein stukje naar beneden en trek de pin (5) naar buiten zodat de zaag naar boven beweegt.

NB: Gebruik de verstekzaag nooit zonder de meegeleverde verlengstukken. Zorg ervoor dat ze juist zijn gemonteerd.

Glijdende afscherming

Afb. 2

Voor veiligheidsredenen is deze machine uitgerust met een geleider die moet worden gebruikt tijdens normale en verstek zaagsneden.

- Schuif de geleider (8) voor normale zaagsneden en verstek zaagsneden altijd naar het einde zodat het ondersteuning bied voor het werkstuk.
- Stel de geleider (8) voor verstek zaagsneden in op een geschikte positie, zo dicht mogelijk bij het zaagblad als mogelijk, maar voorkom dat het de beweging van de zaag verhindert en zet het goed vast.

Het zaagblad verwisselen

Afb. 4 en 5



Gebruik alleen zaagbladen die scherp en onbeschadigd zijn. U moet beschadigde of gebogen zaagbladen onmiddellijk vervangen.

GEVAAR: Gebruik geen zaagbladen die groter zijn dan de aangegeven capaciteit van de zaag. Het kan de beschermkap aanraken en letsel veroorzaken.

Gebruik geen zaagblad dat te dik is zodat de sluitring niet meer op de as past. Hierdoor kan de moer het zaagblad niet aan de as bevestigen. Gebruik deze zaag niet om metaal of metselwerk te zagen

- Ontkoppel de machine van de voedingsbron.
- Verwijder de schroef (20) die de arm naar de beschermkap vasthoud.
- Verwijder de schroef (19) om de kap te verwijderen door de beschermkap (6) op te tillen.
- Zowel de zaagbladbout (17) en de flens (18) zijn nu zichtbaar zoals afgebeeld in afb. 5.
- Druk op de zaagblad vergrendelingsknop (22) Draai het zaagblad voorzichtig met uw hand totdat het zaagblad vergrendeld.
- Gebruik een inbussleutel om de zaagbladbout (17) te verwijderen door deze in de richting van de wijzers van de klok te draaien.
- Verwijder de flens (18) en het zaagblad
- Vervang het zaagblad terwijl u ervoor zorgt dat de pijl op het zaagblad naar dezelfde richting

wijst als de pijl op de machine. De tanden van het zaagblad moeten naar beneden wijzen.

- Bevestig de zaagbladbout (17) en gebruik de zaagblad vergrendelingsknop (22) om deze goed vast te draaien
- Laat de beschermkap (6) zakken zodat de kap weer op zijn plaats valt en draai de schroef (19) vast
- Bevestig de arm weer op de beschermkap (6) door de schroef (20) vast te draaien
- Draai het zaagblad en controleer dat de beschermkap vrij kan bewegen

De zaaghoek aanpassen

Afb. 1- 2

De verstekhoek aanpassen

De verstekhoek kan worden ingesteld tussen 45° links en 45° rechts

- Draai de vergrendelingsknop (10) los
- Druk op de vergrendeling (11) en draai de zaagtafel naar links of rechts met de vergrendelingsknop (10) totdat de hoek indicator (23) de juiste hoek aangeeft.
- Laat de vergrendeling (11) los en draai de vergrendelingsknop (10) aan

De volgende hoeken zijn vooraf ingesteld (snelle instellingen): -45°, -30°, -22.5°, -15°, 0°, 15°, 22.5°, 30°, 45°.

- Druk op de vergrendeling (11) tijdens het draaien van de grondplaat, laat de vergrendeling los voor het bereiken van de gewenste hoek en de plaat “klikt” in de vooraf ingestelde hoek.

De verstekhoek aanpassen

Afb. 1 en 3

De verstekhoek kan worden ingesteld tussen 0° en 45°.

- Draai de afstelknop (9) los
- Kantel te zaag met het handvat totdat de hoek indicator (14) de gewenste hoek aangeeft.
- Draai de afstelknop (9) vast

De koolborstels vervangen

Afb. 2

- Ontkoppel de machine van de voedingsbron.
- Schroef de afdekkap (4) los.
- Vervang de koolborstels met hetzelfde type koolborstels.
- Schroef de afdekkap (4) weer vast.

NB: Vervang altijd alle koolborstels in één keer,

gebruik nooit een mengsel van oude en nieuwe koolborstels.

De stofzak bevestigen

Afb. 1

Druk de klem van de stofzak (13) in en schuif het naar de opening aan de achterkant van de machine. De stofzak blijft zitten als de u de klem loslaat.

4. BEDIENING

Gebruik van de afkortzaagmachine

Afb. 1



Controleer de machine altijd voor gebruik op mankementen en/of defecten!

- Stel de gewenste zaaghoeken in van de van de machine.
- Steek de stekker in het stopcontact.
- Klem het materiaal met werkstukkleem (7): zorg dat het materiaal goed stevig ingeklemd is!
- Houd het materiaal aan de linker kant stevig vast, zorg hierbij dat u een veilige afstand houdt van het zaagblad.
- Om de machine in te schakelen, houdt u de ontgrendelingsknop (3) ingedrukt en drukt gelijktijdig de aan/uit-schakelaar (1) in.
- Zorg dat het zaagblad op snelheid is voordat deze het werkstuk raakt.
- Beweeg de zaagmachine nu rustig naar beneden, zodat het zaagblad door het werkstuk zaagt en in de gleuf van de tafel loopt. Oefen geen druk uit op het zaagblad. Geef de machine de tijd om door het werkstuk heen te zagen.
- Beweeg de machine rustig weer omhoog en schakel de zaagmachine uit door het loslaten van de schakelaar (1).

De schuif functie gebruiken

Afb. 1



De machine moet stevig aan een werkbank worden bevestigd.

Gebruik de schuif functie voor het zagen van brede werkstukken:

- Klem het werkstuk vast met de klem
- Draai de knop (12) los
- Schuif de machine helemaal naar uzelf toe

- Schakel de machine in met de schakelaar
- Breng de zaag langzaam naar beneden zodat de zaag door het werkstuk zaagt
- Duw de machine langzaam naar achteren
- Breng de machine langzaam omhoog en schakel het uit door de schakelaar los te laten

Gebruiken van de laser

Afb. 2

- Om de laser in te schakelen, drukt u de aan/uit-schakelaar 2 in.
- Om de laser uit te schakelen, laat u de aan/uit-schakelaar 2 los.

Transport positie

Verplaats de zaag alleen wanneer deze in de inwaartse transport positie staat. Controleer dat alle vergrendelingen en draaiknoppen goed vastzitten:

- Zorg ervoor dat de verstekhoek op 0° staat ingesteld
- Zorg ervoor dat de zaaghoek op 0° staat ingesteld
- Vergrendel de zaaghoek afstelknop (9) door deze naar rechts te draaien
- Schuif de machine helemaal naar u toe
- Vergrendel de schuif functie door de knop van glijdende ondersteuning (12) naar rechts te draaien
- Ontgrendel de vergrendelingspin (5) aan de rechterkant van de machine
- Duw de machine helemaal naar beneden
- Vergrendel de vergrendelingspin (5) aan de rechterkant van de machine

Til de machine alleen op met de onderkant van de machine. Til de zaag niet op aan de schakelaar handgreep.

5. SERVICE & ONDERHOUD



Zorg dat de machine niet onder spanning staat wanneer onderhoudswerkzaamheden aan het mechaniek worden uitgevoerd.

Geleiderails

Vuil kan de geleiderails en derhalve ook de werking van de machine aantasten.

- Maak de geleiderails regelmatig schoon met een zachte doek.

- Druppel wat smeerolie op de geleiderails.
- Beweeg de afkortzaag naar voren en naar achteren om de olie over de hele rails te verspreiden.

De machines zijn ontworpen om gedurende lange tijd probleemloos te functioneren met een minimum aan onderhoud. Door de machine regelmatig te reinigen en op de juiste wijze te behandelen, draagt u bij aan een hoge levensduur van uw machine.

Reinigen

Reinig de machine-behuizing regelmatig met een zachte doek, bij voorkeur iedere keer na gebruik. Zorg dat de ventilatiesleuven vrij van stof en vuil zijn. Gebruik bij hardnekkig vuil een zachte doek bevochtigd met zeepwater. Gebruik geen oplosmiddelen als benzine, alcohol, ammonia, etc. Dergelijke stoffen beschadigen de kunststof onderdelen.

Probleem oplossing

1. De motor slaat niet aan

- De stekker zit niet in het stopcontact
- Het snoer is onderbroken
- De schakelaar is defect / bied de machine ter reparatie aan bij uw dealer

2. De zaagsnede is niet effen (uitgerafeld)

- Het zaagblad moet worden aangescherpt
- Het zaagblad is achterstevoren gemonteerd
- Het zaagblad is aangeladen met hars of zaagsel
- Het zaagblad is niet geschikt voor deze bewerking

3. De hoogte en/of verstekhendel zit geblokkeerd

- Zaagsel en stof moeten worden verwijderd

4. De motor bereikt moeilijk het maximum toerental

- De verlengkabel is te dun en/of te lang
- De netspanning is lager dan 230 V

5. De machine trilt overmatig

- Het zaagblad is beschadigd

6. De machine wordt overmatig warm

- De ventilatiesleuven zijn verstopt / maak ze schoon met een droge doek.

7. De elektromotor loopt onregelmatig

- De koolborstels zijn versleten / vervang de koolborstels of raadpleeg uw dealer

Smeren

De machine heeft geen extra smering nodig.

Defecten

Mocht er een defect optreden, bijvoorbeeld door slijtage van een onderdeel, neem dan a.u.b. contact op met het op de garantiekaart vermelde serviceadres. Achter in deze handleiding bevindt zich een uitvoerig overzicht van onderdelen die nabesteld kunnen worden.

MILIEU

Om transportbeschadiging te voorkomen, wordt de machine in een stevige verpakking geleverd. De verpakking is zo veel mogelijk gemaakt van recyclebaar materiaal. Maak daarom gebruik van de mogelijkheid om de verpakking te recyclen.



Defecte en/of afgedankte elektrische of elektronische gereedschappen dienen ter verwerking te worden aangeboden aan een daarvoor verantwoordelijke instantie.

Uitsluitend voor EG-landen

Werp elektrisch gereedschap niet weg bij het huisvuil. Volgens de Europese Richtlijn 2012/19/EU voor Afgedankte Elektrische en Elektronische Apparatuur en de implementatie ervan in nationaal recht moet niet langer te gebruiken elektrisch gereedschap gescheiden worden verzameld en op een milieuvriendelijke wijze worden verwerkt.

GARANTIE

Lees voor de garantievoorzwaarden de apart bijgevoegde garantiekaart.

Het product en de gebruikershandleiding zijn onderhevig aan wijzigingen. Specificaties kunnen zonder opgaaf van redenen worden gewijzigd.

SCIE À ONGLET RADIAL MSM1039

Merci pour votre achat de ce produit Ferm.

Vous disposez maintenant d'un excellent produit, proposé par l'un des principaux fabricants européens. Tous les produits que vous fournir Ferm sont fabriqués selon les normes les plus exigeantes en matière de performances et de sécurité. Complété par notre garantie très complète, l'excellence de notre service clientèle forme également partie intégrante de notre philosophie. Nous espérons que vous profiterez longtemps de ce produit.

Les numéros dans le texte suivant réfèrent aux illustrations des page 2-3.



Lisez attentivement ce mode d'emploi avant la mise en service de l'appareil. Familiarisez-vous avec le fonctionnement et la manipulation de l'appareil. Entretenez l'appareil conformément aux instructions, afin qu'il fonctionne parfaitement à chaque utilisation. Ce mode d'emploi et toute documentation relative à l'appareil doivent être conservés près de celui-ci.

Introduction

Cet appareil électrique est destiné à l'utilisation comme machine stationnaire pour des coupes longitudinales et transversales dans le bois. Des angles horizontaux en onglet de -45° à $+45^\circ$ ainsi que des angles verticaux de biseau de -45° sont possibles.



Cette scie n'est conçue que pour scier le bois. N'utilisez pas la scie pour scier d'autres matériaux que le bois.

1. INFORMATION DE LA MACHINE

Caractéristiques techniques

Tension d'alimentation	220-240V~, 50Hz
Puissance	1500 W
Classe de la machine	II (double isolation)
Révolutions, à vide	4.500/min
Mesure de lame de la scie	210x30x2,8mm
Angle de coupe d'onglet	45° (gauche et droite)
Angle de biseautage	45° (gauche seulement)
Capacité maximale de sciage de la scie à onglet:	

Onglet 0°, Biseau 0°	70x305mm
Onglet 0°, Biseau 45°	35x305mm
Onglet 45°, Biseau 0°	70x210mm
Onglet 45°, Biseau 45°	35x210mm
Poids	12 kg
Lpa (pression sonore)	93.6+3 dB(A)
Lwa (capacité acoustique)	106.6+3 dB(A)

Niveau de vibrations

Le niveau de vibrations émises indiqué en ce manuel d'instruction a été mesuré conformément à l'essai normalisé de la norme EN62841-1; il peut être utilisé pour comparer plusieurs outils et pour réaliser une évaluation préliminaire de l'exposition aux vibrations lors de l'utilisation de l'outil pour les applications mentionnées

- l'utilisation de l'outil dans d'autres applications, ou avec des accessoires différents ou mal entretenus, peut considérablement augmenter le niveau d'exposition
- la mise hors tension de l'outil et sa non-utilisation pendant qu'il est allumé peuvent considérablement réduire le niveau d'exposition

Protégez-vous contre les effets des vibrations par un entretien correct de l'outil et de ses accessoires, en gardant vos mains chaudes et en structurant vos schémas de travail

Caractéristiques

Figures 1, 2, 3, 4 et 5

1. Interrupteur marche/arrêt
2. Interrupteur marche/arrêt pour le laser
3. Bouton de déblocage
4. Capot du balai
5. Goupille de verrouillage
6. Capot de protection de la lame
7. Dispositif de serrage de la pièce
8. Guide
9. Bouton de réglage de l'angle de coupe
10. Bouton de blocage
11. Palette de blocage
12. Bouton sur le support coulissant
13. Sac d'aspiration des poussières
14. Angle de chanfrein
16. Capot
17. Boulon de lame de scie
18. Bride
19. Vis
20. Vis du bras de retour
21. Rallonges (gauche et droite)

22. Bouton de blocage de la lame de scie

23. Indicateur d'angle

2. CONSIGNES DE SÉCURITÉ

Durant l'utilisation des outils électriques, les précautions de sécurité de base doivent toujours être respectées afin de réduire le risque d'incendie. Choc électrique et blessures. Toujours lire le manuel d'instructions spécifique au produit et les consignes de sécurité avant d'actionner l'outil électrique et conserver ces instructions en lieu sûr.

Installation d'une machine fixe.

Fig. 6

Cette machine est une machine fixe et pour des raisons de sécurité elle doit toujours être solidement installée et ne pas être utilisée pour les applications mobiles. Vous pouvez installer la machine de deux manières :

- Comme machine fixe sur un établi. Dans ce cas, la machine doit être installée sur l'établi avec 4 boulons
- Comme machine fixe sur un châssis secondaire. Dans ce cas, la machine doit être fixée au châssis secondaire avec 4 boulons et le châssis secondaire doit être ancré avec 4 boulons à une plaque au sol d'au moins 1 mètre carré.

Symboles

Les symboles suivants sont importants pour l'utilisation de votre outil électrique. L'interprétation correcte des symboles vous aide à utiliser l'outil électrique de manière plus sûre



Indique un risque de blessure, une risque mortel ou un risque de dégâts à l'outil en cas de non-respect des instructions de ce manuel



Attention, risque de choc électrique



Tenir les autres personnes à distance



Porter une protection oculaire



Porter une protection auditive. L'exposition au bruit peut causer une perte de l'ouïe.



Porter un masque antipoussière



Zone de danger ! Tenir les mains éloignées (10 cm) de la zone de coupe lorsque la machine est en marche. Risque de blessure en cas de contact avec la lame de scie



Ne pas diriger le faisceau laser vers les personnes ou les animaux et ne pas regarder directement le faisceau laser, même de loin. Cet outil électrique génère une radiation laser de classe 2 selon EN 60825-1. Il est capable de provoquer la cécité



*Dimensions du disque. Respecter les dimensions de la lame de scie. Le diamètre de l'orifice doit correspondre à la broche de l'outil, sans jeu. *N'utiliser que la bague d'adaptation spécifiée par le fournisseur. Cette bague d'adaptation ne doit avoir aucun jeu*



Transporter la machine uniquement lorsqu'elle se trouve en position de transport interne

1. Sécurité de la zone de travail

- Tenir la zone de travail propre et bien éclairée. Les espaces encombrés ou sombres favorisent les accidents
- Ne pas utiliser les outils électriques dans les atmosphères explosives, comme en présence de liquides, gaz ou poussières inflammables. Les outils électriques créent des étincelles qui peuvent enflammer la poussière ou les fumées
- Tenir les enfants et les autres personnes éloignés durant l'utilisation d'un outil électrique. Les distractions peuvent entraîner une perte de contrôle ou la projection du matériel
- Ne jamais laisser la machine sans surveillance si elle n'a pas été débranchée du secteur au préalable

2. Sécurité personnelle

- a) Si vous n'êtes pas familiers avec l'utilisation de cette machine. Vous devriez d'abord être formés par un professionnel, un instructeur ou un technicien
- b) Ranger les outils électriques hors de portée des enfants. Les outils électriques sont dangereux dans les mains des utilisateurs inexpérimentés
- c) Tenir les outils électriques dans un lieu sec, propre et exempt d'huile et de graisse. Les outils électriques correctement entretenus sont plus sûrs et plus faciles à contrôler. La graisse ou l'huile sur les poignées les rendent glissantes et causent une perte de contrôle
- d) S'assurer que l'environnement de travail est toujours propre et ordonné. Risque de glissement ou de trébuchement
- e) Restez attentif, regardez ce que vous faites et faites preuve de bon sens lors de l'utilisation d'un outil électrique
- f) N'adoptez pas de position déséquilibrée. Conservez de bons appuis et un bon équilibre en permanence. Cela permet un meilleur contrôle de l'outil électrique dans les situations imprévues
- g) Ne pas travailler avec une machine si vous êtes sous l'influence de l'alcool, des drogues ou des médicaments. L'inattention durant l'utilisation des outils électriques peuvent causer de graves blessures
- h) Toujours utiliser l'équipement de protection. Toujours porter une protection oculaire, un masque antipoussière, des protections auditives, des chaussures de sécurité et porter des gants pour l'intervention sur la machine ou la manipulation des matériaux bruts. Attacher les cheveux. Réduire les blessures
- i) Attention lors de la coupe de joints à onglet double. La lame de scie, la pièce et vos mains doivent être toujours visibles durant le sciage
- j) Ne jamais scier plus d'une pièce à la fois
- k) S'assurer que la pièce est exempte de clous ou autres corps étrangers
- l) Ne jamais couper des métaux ou de la pierre avec cette machine
- m) Ne pas travailler avec du matériel contenant de l'amiante

3. Sécurité de l'outil électrique

La première fois que la machine est utilisée, puis à chaque utilisation suivante :



avant toute intervention sur la machine, débrancher la fiche de l'alimentation électrique.

Général : contrôler l'ensemble de la scie. Consulter le manuel si des pièces manquent, sont tordues, endommagées ou ne fonctionnent pas correctement, si des défauts mécaniques et/ou électriques se produisent ou sont visibles, ou si la machine émet des bruits très forts.

Si des défauts sont constatés sur la machine, ils doivent tous être rectifiés avant l'utilisation de la machine. Utiliser exclusivement des pièces d'origine!

En cas de préoccupations importantes qui pourraient affecter votre sécurité ou la sécurité de la machine, veuillez consulter le fournisseur de la machine.

Électricité

- a) Toujours utiliser une fiche d'alimentation originale qui correspond à la prise et ne pas utiliser d'adaptateur avec les outils électriques reliés à la terre (masse). Les fiches non modifiées et les prises correspondantes réduiront le risque de choc électrique
- b) Ne pas utiliser la machine avec un cordon d'alimentation endommagé. Ne pas toucher le cordon endommagé ni tirer sur la fiche d'alimentation lorsque le cordon est endommagé durant le travail. Les câbles endommagés augmentent le risque de choc électrique
- c) Contrôler régulièrement le cordon et le faire réparer s'il est endommagé. Remplacement des cordons ou des fiches. Mettre immédiatement au rebut les anciens cordons ou fiches lorsqu'ils ont été remplacés par des éléments neufs. Il est dangereux d'insérer la fiche d'un cordon volant dans une prise murale. Utiliser le cordon d'alimentation et les fiches d'origine. Toutes réparations doivent être effectuées par une personne autorisée afin de garantir le maintien de la sécurité de l'outil électrique !
- d) Pour éviter les chocs électriques. Lors du branchement de la fiche dans la prise, les broches métalliques ne doivent jamais être touchées

- e) Ne pas exposer les outils électriques à la pluie ou à l'humidité. L'eau qui pénètre dans un outil électrique augmentera le risque de choc électrique
- f) Ne jamais utiliser le cordon pour débrancher la fiche de la prise. Tenir le cordon et la fiche éloignés de l'huile, de la chaleur et des objets tranchants
- g) Lors de l'utilisation d'un outil électrique à l'extérieur, utiliser une rallonge appropriée pour l'utilisation à l'extérieur. L'utilisation d'un cordon prévu pour l'extérieur réduit le risque de choc électrique
- h) Lorsque la machine est équipée d'un laser. Ne pas diriger le faisceau laser vers les personnes ou les animaux et ne pas regarder directement le faisceau laser, même de loin. Le laser doit être conforme à la classe 2 de la norme EN 60825-1.
- i) Les réparations sur un laser ne peuvent être effectuées que par le fabricant du laser ou un spécialiste
- j) S'il est impossible d'éviter l'utilisation d'un outil électrique dans un lieu humide, utiliser une alimentation protégée par un dispositif à courant résiduel (RCD). L'utilisation d'un RCD réduit le risque de choc électrique

Mécanique

- a) Laisser la machine tourner librement jusqu'à ce qu'elle atteigne son régime avant de commencer à utiliser la machine. Contrôler dans toutes les positions de la scie que la lame tourne librement. Si la lame touche une partie quelconque de la machine, elle doit être ajustée ou réparée
- b) Ne pas utiliser l'outil électrique si l'interrupteur marche/arrêt ne fonctionne pas correctement. Un outil électrique qui ne peut pas être contrôlé avec l'interrupteur est dangereux et doit être réparé
- c) Toujours utiliser les lames de scie ayant la forme et les dimensions correctes. Utiliser les lames de scies recommandées par le fabricant (EN-847-1). Les lames de scie qui ne correspondent pas au matériel de montage de la scie tourneront de manière excentrique et causeront une perte de contrôle.
- d) Ne jamais utiliser des lames de scies trop petites ni trop grandes. Cela est très dangereux
- e) Ne jamais retirer le marquage sur la lame de scie. Les informations techniques doivent toujours être visibles afin d'effectuer le bon choix lors du remplacement de la lame de scie
- f) Fixer la pièce à couper. Toujours serrer la pièce avec les dispositifs de serrage. L'opération sera beaucoup plus sûre qu'en maintenant la pièce à la main
- g) Ne jamais laisser la machine avant qu'elle soit complètement immobile
- h) Ne pas utiliser de lames de scie en acier haute vitesse (HSS). La lame de scie pourrait se casser facilement
- i) Ne jamais utiliser de lames de scie émoussées, fissurées, voilées ou endommagées. Avant l'utilisation, débrancher la fiche d'alimentation et contrôler la lame de scie. Les lames de scie endommagées ou mal affûtées produisent une fente étroites, une friction excessive, le coincement de la lame et un rebond. Remplacer immédiatement les lames de scies endommagées et toujours utiliser les brides, écrous et boulons d'origine
- j) Retirer toute clé de réglage ou autre outil avant de mettre l'outil sous tension. Une clé ou un outil attaché à une pièce rotative de l'outil électrique peut causer des blessures et entraîner une situation très dangereuse
- k) La flèche marquée sur la lame de scie indique la direction de rotation. Elle doit être dirigée dans le même sens que la flèche marquée sur la machine et les dents de la lame de scie doivent être dirigées vers le bas à l'avant de la scie
- l) Ne pas toucher la lame de scie après le travail si elle n'est pas refroidie. La lame de scie devient très chaude durant le travail
- m) Protéger la lame de scie contre les coups et les chocs. Ne pas exercer de pression latérale sur la lame de scie
- n) Ne pas forcer l'outil électrique. Utiliser l'outil électrique correct pour votre application. L'outil électrique correct effectuera un travail meilleur et plus sûr au régime pour lequel il a été conçu
- o) Ne jamais monter sur l'outil électrique. De graves blessures peuvent se produire en cas de basculement de l'outil électrique. Toujours utiliser un support supplémentaire pour stabiliser davantage la machine
- p) La machine est dotée de dispositifs pour raccorder un aspirateur à poussières et il faut s'assurer que ce dernier est raccordé et utilisé correctement. L'aspiration des poussières réduit les risques liés à la poussière

- q) Entretien des fentes de ventilation de la machine. Les accumulations de poussière doivent être éliminées.
- r) S'assurer que le carter de protection fonctionne correctement et qu'il se déplace librement. Ne jamais bloquer le carter de protection en position ouverte
- s) Ne jamais retirer les résidus de coupe de la zone de sciage lorsque la machine est en marche. Toujours guider le bras de l'outil pour le faire revenir en position neutre avant de mettre la machine hors tension
- t) Guider la lame de scie contre la pièce uniquement lorsque la machine est en marche. Dans le cas contraire, un rebond pourrait se produire lorsque la lame de scie s'enfonce dans la pièce
- u) Si la lame de scie se coince. Mettre la machine hors tension et tenir la pièce jusqu'à ce que la lame s'immobilise
- v) Pour éviter un rebond. La pièce à couper ne doit pas être déplacée avant que la machine soit complètement immobile. Corriger la cause du coincement de la lame de scie avant de redémarrer la machine
- w) Lors de la découpe de sections profilées, de pièces rondes ou d'autres pièces, toujours serrer la pièce à couper contre la butée de sorte qu'elle ne puisse pas bouger, ni s'incliner ou pivoter durant la découpe.
- x) Ne jamais utiliser la machine pour scier des pièces trop petites qui ne peuvent pas être fixées de manière sûre. Les petites pièces de bois ou autres objets qui entrent en contact avec la lame de scie en rotation peut heurter l'utilisateur ou les autres personnes à grande vitesse
- y) Pour toutes les opérations de sciage, toujours utiliser des supports supplémentaires
- z) Pour scier des pièces de grandes dimensions qui ne sont pas soutenues. Utiliser des supports supplémentaires
- aa) Ne jamais altérer les avertissements sur la machine de sorte qu'ils soient illisibles. Les informations techniques ou les informations sur le type de la machine doivent toujours être visibles.

À la fin de l'opération de sciage, conserver la tête de la scie vers le bas, arrêter la machine et attendre que toutes les parties mobiles s'immobilisent avant de retirer les mains de la machine

3. ASSEMBLAGE ET ACCESSOIRES

Installation de la scie à onglet

- Placer une barre latérale (21) sur le côté droit de la machine et l'autre barre latérale sur le côté gauche de la machine.
- Placer le dispositif de serrage de la pièce (7) sur le côté gauche ou droit de la machine.
- Tenir la poignée et déplacer la scie légèrement vers le bas, puis sortir la goupille (5) légèrement afin que la scie se déplace vers le haut.

Remarque : ne jamais utiliser la scie à onglet sans les rallonges fournies. S'assurer qu'elles sont correctement montées.

Guide coulissant

Fig.2

Pour des raisons de sécurité, cette machine est équipée d'un guide mobile à utiliser pour la coupe normale et d'onglet.

- Pour les coupes transversales droites normales et les coupes d'onglet, toujours ajuster le guide coulissant (8) sur l'extrémité et le fixer correctement afin de fournir un support de sécurité pour la pièce à découper.
- Pour les coupes chanfreinées, ajuster le guide coulissant (8) dans une position appropriée la plus proche possible de la surface de la lame de scie mais éviter de gêner le mouvement de la lame de scie et s'assurer de bien le fixer.

Remplacement des lames de scie

Fig. 4 et 5



Utiliser uniquement des lames de scie affûtées et intactes. Vous devez remplacer immédiatement toute lame de scie ébréchée ou voilée.

DANGER : Ne pas utiliser de lame plus grande que la capacité indiquée pour la scie. Elle pourrait toucher le carter de protection de la lame et provoquer des blessures.

Ne pas utiliser de lame trop épaisse afin de laisser la rondelle extérieure de la lame s'engager sur les épaulements de la broche. Cela empêchera la vis de la lame de fixer la lame sur la broche.

Ne pas utiliser cette scie pour couper des métaux ou de la maçonnerie

- Débrancher la machine de l'alimentation électrique.
- Retirer la vis (20) qui retient le bras de retour du capot de la lame.
- Retirer la vis (19) afin de retirer le cache du boulon en soulevant le capot de la lame (6).
- Le boulon (17) et la bride (18) de la lame de scie doivent être maintenant visibles comme illustré sur la fig. 5.
- Appuyer sur le bouton de blocage de la lame de scie (22). Faire pivoter soigneusement la lame de scie à la main jusqu'à ce que la lame se bloque.
- Utiliser une clé hexagonale pour retirer le boulon de la lame de scie (17) en desserrant dans le sens des aiguilles d'une montre.
- Retirer la bride (18) et la lame de scie
- Remplacer la lame de scie en s'assurant que la flèche marquée sur la lame est orientée dans la même direction que la flèche marquée sur la machine. Les dents de la lame de scie doit être dirigées vers le bas.
- Fixer le boulon de la lame de scie (17) en utilisant le bouton de blocage de lame (22) afin de le fixer solidement
- Abaisser le capot de la lame (6) afin de faire revenir le cache du boulon en position et serrer la vis (19)
- Remonter le bras de retour sur le capot de la lame (6) en serrant la vis (20)
- Faire tourner la lame de scie et vérifier que le carter de protection fonctionne librement

Réglage de l'angle de coupe

Fig. 1-2.

Réglage des angles d'onglet

L'angle d'onglet peut être réglé entre 45° à gauche et 45° à droite

- Desserrer le bouton de blocage (10)
- Appuyer sur la palette de blocage (11) et tourner la table de sciage à gauche ou à droite avec le bouton de blocage (10) jusqu'à ce que l'indicateur d'angle (23) indique l'angle requis.
- Relâcher la palette de blocage (11) et serrer le bouton de blocage (10)

Préréglages (réglages rapides) sur les valeurs suivantes : -45°, -30°, -22,5°, -15°, 0°, 15°, 22,5°, 30°, 45°.

- Appuyer sur la palette de blocage (11) lors de la rotation de la plaque de base, relâcher la palette avant d'atteindre la valeur requise afin

que la plaque s'enclenche d'elle-même dans la position préréglée.

Réglage des angles de chanfrein

Fig. 1 et 3

L'angle de chanfrein peut être réglé entre 0° et 45°.

- Desserrer le bouton de réglage (9)
- Incliner la scie en utilisant la poignée jusqu'à ce que l'indicateur d'angle (14) indique l'angle requis.
- Serrer le bouton de réglage (9)

Remplacement des balais

Fig. 2

- Débrancher la machine de l'alimentation électrique
- Dévisser le capot (4).
- Remplacer les balais par le même type de balais
- Resserrer le capot (4).

Remarque: Toujours remplacer les deux balais en même temps, ne jamais utiliser un mélange de balais neufs et usés.

Montage du sac à poussière

Fig. 1

Appuyer sur le dispositif de serrage du sac à poussière (13) et le faire coulisser sur l'ouverture à l'arrière de la machine. Le cas à poussière reste en place lorsque le dispositif de serrage est relâché.

4. FONCTIONNEMENT

Comment utiliser la scie à onglet

Fig. 1



Avant l'usage vous devez contrôler la présence de fautes ou des défauts!

- Réglez l'angle de sciage désiré de la machine.
- Branchez la prise.
- Fixez la pièce à travailler en utilisant les attache-pièces (7): Veillez à ce que le matériel soit bien fixé!
- Tenez fermement le matériel sur le côté gauche alors que vous veillez à garder une certaine distance par rapport à la lame de scie.
- Pour mettre la machine en marche, enfoncez le bouton de déblocage (3) sans le relâcher tout en appuyant sur l'interrupteur marche/arrêt (1).

- Veillez à ce que la lame de scie atteigne la vitesse maximum avant qu'elle ne touche la pièce à travailler.
- Maintenant vous baissez la scie lentement de manière que la lame de scie scie à travers de la pièce à travailler et passe à travers de la cannelure dans la table. Ne pas exercer de la pression sur la scie. Donnez la machine le temps de scier à travers de la pièce à travailler.
- Poussez la machine vers le haut de nouveau et débranchez-la en relâcher l'interrupteur (1).
- Faites complètement coulisser la machine vers vous
- Verrouillez la fonction de coulissage en tournant le bouton sur le support coulissant (12) dans le sens des aiguilles d'une montre
- Déverrouillez la goupille de verrouillage (5) côté droit de la machine
- Enfoncez complètement la machine vers le bas
- Verrouillez la goupille de verrouillage (5) côté droit de la machine

Utilisation de la fonction de coulissement

Fig. 1



La machine doit être solidement boulonnée à un établi.

Utiliser la fonction de coulissement pour scier des pièces larges :

- Fixer la pièce à couper en position en utilisant le dispositif de serrage
- Desserrer le bouton (12)
- Faire coulisser la machine complètement vers soi
- Mettre en marche la machine avec l'interrupteur
- Porter lentement la scie vers le bas à travers la pièce à couper
- Pousser la machine lentement vers l'arrière
- Ramener lentement la machine vers le haut et l'arrêter en relâchant l'interrupteur

Utilisation du laser

Fig. 2

- Pour mettre le laser en marche, appuyez sur l'interrupteur marche/arrêt 2.
- Pour arrêter le laser, relâchez l'interrupteur marche/arrêt 2.

Position pour le transport

Lorsque vous déplacez la scie, assurez-vous qu'elle est bloquée vers l'intérieur. Contrôlez que tous les dispositifs de verrouillage et de tension sont sécurisés :

- Assurez-vous que l'angle d'onglet est réglé sur 0°
- Assurez-vous que l'angle de biseau est réglé sur 0°
- Verrouillez le bouton de réglage de l'angle de la scie (9) en le tournant dans le sens des aiguilles d'une montre

Ne soulevez la machine que par son fond solide. Ne soulevez pas la scie par la poignée de démarrage.

5. SERVICE & MAINTENANCE



Veillez toujours à ce que la machine ne soit pas branchée à l'électricité principale si vous entretenez le mécanisme.

Glissières

L'encrassement peut endommager les glissières et donc aussi le bon fonctionnement de la machine.

- Nettoyez régulièrement les glissières à l'aide d'un chiffon mou.
- Enduisez les glissières de quelques gouttes de lubrifiant
- Bougez la scie d'onglet en avant et en arrière de sorte que l'huile se répande sur toute la glissière

Les machines de ont été conçues pour fonctionner longtemps sans problème et avec un minimum d'entretien. En nettoyant régulièrement et correctement la machine, vous garantissez à votre machine une longue durée de vie.

Nettoyage

Nettoyez régulièrement le boîtier au moyen d'un chiffon doux, de préférence après chaque utilisation. Veillez à ce que les fentes d'aération soient propres de poussière et de saletés. En présence de saleté tenace, employez un chiffon doux imbibé d'eau savonneuse. Proscrivez l'emploi de solvants comme l'essence, l'alcool,

l'ammoniaque etc. car ces substances attaquent les pièces en plastique.

Résoudre des problèmes

1. Le moteur ne démarre pas

- La fiche n'est pas branchée.
- La corde de propulsion est rompue
- L'interrupteur est défectueux. Allez chez votre distributeur pour une réparation.

2. L'incision de la scie n'est pas égal (cannelé)

- La lame de scie doit être aiguisée
- La lame de scie est montée à l'arrière vers le devant
- La lame de scie est gênée par de la résine ou de la sciure de bois
- La lame de scie n'est pas appropriée pour la pièce de travaille qui doit être utilisée

3. Le levier de hauteur et/ou d'onglet est bloqué

- Les copeaux et/ou la poussière doivent être enlevés

4. Le moteur a des difficultés à atteindre la vitesse maximale

- La corde de rallonge est trop fine et/ou trop longue
- Le voltage principal est inférieure à 230 V

5. La machine vibre de manière excessive

- La lame de scie est abîmée

6. La machine chauffe de manière excessive

- Les fentes d'aération sont bloquées Nettoyez-les avec un bout d'étoffe sec.

7. Le moteur électrique ne marche pas régulièrement

- Les balais de carbone sont usés. Remplacez les balais de carbone ou consultez votre distributeur.

Graissage

L'appareil n'a besoin d'aucun graissage supplémentaire.

Dysfonctionnements

Si une panne surgit par exemple après détérioration d'une pièce, mettez-vous en relation avec les services clientèle indiqués sur votre carte

de garantie. A l'arrière de ce mode d'emploi vous trouverez une liste détaillée des pièces pouvant être commandées.

ENVIRONNEMENT

Pour éviter les dommages liés au transport, la machine est livré dans un emballage robuste. L'emballage est autant que possible constitué de matériau recyclable. Veuillez par conséquent destiner cet emballage au recyclage.



Tout équipement électronique ou électrique défectueux dont vous seriez débarrassé doit être déposé aux points de recyclage appropriés.

Uniquement pour les pays CE

Ne jetez pas les outils électriques avec les déchets domestiques. Selon la directive européenne 2012/19/EU « Déchets d'équipements électriques et électroniques » et sa mise en œuvre dans le droit national, les outils électriques hors d'usage doivent être collectés séparément et mis au rebut de manière écologique.

GARANTIE

Pour les conditions de garantie, lisez le certificat de garantie joint à part.

Le produit et le manuel d'utilisation sont sujets à modifications. Les spécifications peuvent changer sans autre préavis.

SIERRA RADIAL DE INGLETE MSM1039

Gracias por comprar este producto Ferm.

Al hacerlo ha adquirido un excelente producto, suministrado por uno de los proveedores líderes en Europa. Todos los productos suministrados por Ferm se fabrican de conformidad con las normas más elevadas de rendimiento y seguridad. Como parte de nuestra filosofía también proporcionamos un excelente servicio de atención al cliente, respaldado por nuestra completa garantía. Esperamos que disfrute utilizando este producto durante muchos años.

Los números que se indican en el siguiente texto hacen referencia a las figuras contenidas en la página 2-3.



Lea atentamente estas instrucciones de uso antes de poner el aparato en funcionamiento. Póngase al corriente con la forma de funcionamiento y el manejo. Cuide la máquina de acuerdo con las instrucciones para que funcione siempre de forma correcta. Las instrucciones de uso y la correspondiente documentación deben guardarse en la proximidad de la máquina.

Introducción

Esta herramienta eléctrica ha sido concebida para usarse como máquina estacionaria para hacer cortes rectos en madera en sentido longitudinal y transversal. Con ella se pueden hacer cortes horizontales en ángulos de -45° a $+45^\circ$ y cortes verticales en bisel con ángulos de -45° .



Esta sierra ha sido concebida solo para aserrar madera. No utilice la sierra para cortar otros materiales que no sean madera.

1. DATOS TÉCNICOS

Características técnicas

Voltaje	220-240V~, 50Hz
Capacidad	1500 W
Tipo de herramienta	II (aislamiento doble)
Revoluciones, no cargando	4.500/min
Medida de la hoja de sierra	210x30x2.8 mm
Ángulo de ingletes	45° (izquierdo y derecho)

Ángulo de biselado	45° (sólo izquierdo)
Capacidad de serrado máxima para sierra de inglete	
Inglete 0°, Bisel 0°	70x305 mm
Inglete 0°, Bisel 45°	35x305 mm
Inglete 45°, Bisel 0°	70x210 mm
Inglete 45°, Bisel 45°	35x210 mm
Peso	12 kg
Lpa (presión del sonido)	93.6+3 dB(A)
Lwa (capacidad acústica)	106.6+3 dB(A)

Nivel de vibración

El nivel de emisión de vibraciones indicado en este manual de instrucciones ha sido medido según una prueba estándar proporcionada en EN62841-1; puede utilizarse para comparar una herramienta con otra y como valoración preliminar de la exposición a las vibraciones al utilizar la herramienta con las aplicaciones mencionadas

- al utilizarla para distintas aplicaciones o con accesorios diferentes o con un mantenimiento deficiente, podría aumentar de forma notable el nivel de exposición
- en las ocasiones en que se apaga la herramienta o cuando está funcionando pero no está realizando ningún trabajo, se podría reducir el nivel de exposición de forma importante

Protéjase contra los efectos de la vibración realizando el mantenimiento de la herramienta y sus accesorios, manteniendo sus manos calientes y organizando sus patrones de trabajo

Funciones

Figs. 1, 2, 3, 4 y 5

1. Botón de encendido/apagado
2. Botón de encendido/apagado del láser
3. Botón de desbloqueo
4. Tapa escobillas de carbón
5. Clavija de bloqueo
6. Tapa protectora de la hoja
7. Sujetador de pieza
8. Guía de corte
9. Botón de ajuste de ángulo
10. Botón de bloqueo
11. Paleta de bloqueo
12. Botón de la guía deslizante
13. Conexión para la bolsa de recogida de polvo
14. Ángulo de bisel
15. Tapa
16. Perno de la hoja de la sierra
17. Brida
18. Tornillo

- 20. Brazo retráctil con tornillo
- 21. Alargaderas (derecha e izquierda)
- 22. Botón de bloqueo de la hoja de la sierra
- 23. Indicador de ángulo

2. INSTRUCCIONES DE SEGURIDAD

Cuando use herramientas eléctricas, deberá tomar siempre las medidas de seguridad elementales para reducir el riesgo de incendios. Descarga eléctrica y lesiones personales. Lea siempre las instrucciones específicas del producto y las instrucciones de seguridad antes de intentar utilizar la herramienta eléctrica y guarde estas instrucciones.

Instalación de una máquina fija.

Fig. 6

Esta máquina es fija y por motivos de seguridad debe estar siempre instalada en modo firme y no debe usarse para aplicaciones móviles. Puede instalar la máquina de dos maneras:

- a) Como máquina fija sobre un banco de trabajo. En este caso, la máquina deberá fijarse al banco de trabajo con 4 tornillos
- b) Como máquina fija sobre una estructura. En este caso, la máquina deberá fijarse a la estructura auxiliar con 4 tornillos, y la estructura auxiliar deberá anclarse con 4 tornillos a una placa de apoyo que tenga una dimensión de por lo menos 1 metro cuadrado

Símbolos

Los siguientes símbolos son importantes para el funcionamiento de la herramienta eléctrica. La correcta interpretación de los símbolos le ayudará a utilizar la herramienta en modo más seguro



Indica riesgo de lesiones personales, muerte o daños a la herramienta en caso de incumplimiento de las instrucciones del manual



Precaución, riesgo de descarga eléctrica



Mantenga alejadas a terceras personas



Use protección para los ojos



Use protectores de oídos. La exposición a los ruidos puede causar deficiencia auditiva.



Porter un masque antipoussièrre



Zona peligrosa Mantenga las manos alejadas (10 cm) de la zona de corte cuando la máquina esté en funcionamiento. Riesgo de lesiones si las manos entran en contacto con la hoja de la sierra



No dirija el haz del láser a personas o animales y no mire fijamente el láser, ni siquiera a distancia. El láser que produce esta herramienta es radiación láser de clase 2 de conformidad con la norma EN 60825-1. Puede causar ceguera



*Dimensiones del disco. Respete las dimensiones de la hoja de la sierra. El diámetro del orificio debe coincidir con el eje de la herramienta sin hacer juego. *Utilice solamente los anillos de relleno indicados por el proveedor, el anillo de relleno no debe hacer juego*



Transporte la máquina solamente en posición de transporte hacia adentro

1. Seguridad del lugar de trabajo

- a) Mantenga el lugar de trabajo limpio y bien iluminado. El desorden y las zonas oscuras pueden ser causa de accidentes
- b) No utilice herramientas eléctricas en atmósferas explosivas, como por ejemplo en presencia de líquidos, gases o polvos inflamables. Las herramientas eléctricas hacen chispas que pueden encender el polvo o los humos
- c) Mantenga alejados a los niños y a terceras personas cuando utilice la herramienta eléctrica. Las distracciones pueden causar la pérdida de control o el material puede atascarse
- d) Nunca deje la máquina sin vigilar si no la ha desenchufado antes de la red de alimentación

2. Seguridad personal

- a) Si no está familiarizado con el uso de la máquina. Sería mejor que se informe antes consultando a un profesional, un instructor o un técnico

- b) Guarde las herramientas eléctricas alejadas del alcance de los niños cuando no las utilice. Las herramientas eléctricas son peligrosas si son utilizadas por personas no capacitadas
- c) Mantener las herramientas eléctricas secas, limpias y libres de aceite y grasa. Las herramientas eléctricas correctamente mantenidas son más seguras y más fáciles de controlar. Las empuñaduras aceitadas son resbalosas y causan la pérdida de control
- d) Compruebe que el entorno de trabajo esté siempre limpio y ordenado. Puede resbalarse o tropezar
- e) Esté alerta, atento a lo que hace y use el sentido común cuando utilice una herramienta eléctrica
- f) No se estire. Mantenga constantemente los pies en una posición correcta y equilibrada. Esto permite un mejor control de la herramienta eléctrica en situaciones imprevistas
- g) No trabaje con la máquina si está bajo la influencia de alcohol, drogas o medicamentos. La falta de atención cuando se utilizan herramientas eléctricas puede ser causa de lesiones graves
- h) Use siempre equipos de protección personal. Use siempre protección para ojos, protector de oídos, máscara antipolvo y calzado de seguridad, y use guantes solo para el mantenimiento de la máquina o en caso de usar materias primas. Recójase el cabello. Reduce el riesgo de lesiones personales
- i) Tenga cuidado cuando corte juntas de doble inglete. La hoja de la sierra, la pieza y las manos siempre deben estar visibles mientras realiza el corte
- j) Nunca corte más de una pieza a la vez
- k) Compruebe que la pieza de trabajo no tenga clavos u otros objetos extraños
- l) Nunca procese metal o piedra con la máquina
- m) No trabaje con material que contenga amianto

3. Seguridad de las herramientas eléctricas

La primera vez que use la máquina y cada vez que la use sucesivamente:



Antes de efectuar cualquier trabajo en la máquina, desconecte el enchufe principal de la red de alimentación.

Advertencia general: Controle la máquina de sierra en su totalidad. Si alguna pieza de la máquina falta, está doblada, dañada o no es funcional por algún motivo, o si produce o nota cualquier fallo mecánico y/o eléctrico, o si la máquina hace mucho ruido, consulte el manual de usuario.

Si detecta cualquier defecto en la máquina, debe repararlo antes de usar la máquina. Deberán utilizarse únicamente piezas originales.

Si está preocupado por algún asunto que pueda afectar a su seguridad o a la seguridad de la máquina, consulte al proveedor de la máquina.

Electricidad

- a) Use siempre el enchufe de alimentación original que se adapte a la toma de corriente, no use enchufes adaptadores con las herramientas eléctricas con puesta a tierra. Usar enchufes no modificados y aptos para las tomas reduce el riesgo de descarga eléctrica
- b) No use la máquina si el cable de electricidad está dañado. No toque el cable dañado ni tire el enchufe de red mientras trabaja si el cable está dañado. Los cables dañados aumentan el riesgo de descarga eléctrica
- c) Controle el cable regularmente y hágalo reparar si está dañado. Reemplace los cables o enchufes. Deseche inmediatamente los cables o enchufes usados después de haberlos sustituido con otros nuevos. Es peligroso introducir el enchufe de un cable suelto en la toma de corriente de pared. Use el cable de corriente y los enchufes originales y haga efectuar las reparaciones solo por personas autorizadas, esto garantizará que se mantenga la seguridad de la herramienta eléctrica.
- d) Prevenir descargas eléctricas. Cuando coloque el enchufe en la toma de corriente, las clavijas metálicas no deben tocarse de ningún modo
- e) No exponga las herramientas eléctricas a la lluvia o a condiciones de humedad. Si entra agua en la herramienta, aumentará el riesgo de choque eléctrico
- f) Nunca tire del cable para desenchufar el enchufe. Mantenga el cable y el enchufe alejado del aceite, del calor y de las aristas vivas
- g) Cuando utilice una herramienta eléctrica en exteriores, use un cable prolongador apto para uso en exteriores. Usar un cable para exteriores reduce el riesgo de descarga eléctrica

- h) Cuando la máquina está dotada de láser. No dirija el haz del láser directamente a personas o animales y no mire fijamente el láser. Tampoco a distancia. El láser debe ser conforme a la norma EN 60825-1, Clase 2.
- i) Las reparaciones del láser pueden ser efectuadas solo por el fabricante del láser o por un especialista
- j) Si es inevitable utilizar una herramienta eléctrica en un lugar húmedo, use un dispositivo diferencial residual (DDR) para proteger el suministro. Usar un DDR reduce el riesgo de descarga eléctrica

Mecánica

- a) Deje que la máquina gire libremente hasta que alcance la velocidad nominal antes de empezar a utilizarla. Controle si la hoja gira libremente en todas partes, si produce algún roce, es necesario ajustarla bien o repararla
- b) No use la herramienta eléctrica si el interruptor no se enciende o no se apaga. Si la herramienta eléctrica no puede controlarse mediante el interruptor, es peligrosa y debe ser reparada
- c) Utilice siempre hojas de sierra de tamaño y forma correctos. Utilice las hojas recomendadas por el fabricante (EN-847-1). Las hojas que no coinciden con la pieza de montaje de la sierra, perjudican la excentricidad y causan pérdida de control
- d) Nunca utilice hojas de sierra demasiado grandes o demasiado pequeñas. Esto puede resultar peligroso
- e) Nunca extraiga las marcas de las hojas de la sierra. La información técnica siempre debe estar visible para elegir la hoja correcta a la hora de cambiarla
- f) Fije la pieza de trabajo. Sujete siempre la pieza de trabajo utilizando dispositivos de fijación, es mucho más seguro que sujetarla manualmente
- g) Nunca abandone la máquina hasta que se haya parado completamente
- h) No utilice cuchillas de acero de alta velocidad (HSS). Las cuchillas podrían quebrarse con facilidad
- i) Nunca use hojas de sierra desafiladas, quebradas, dobladas o dañadas. Antes de utilizar, tire del enchufe de red y compruebe la hoja de la sierra. Las hojas de sierra dañadas o desafiladas pueden producir entalladuras angostas, fricción excesiva, agarrotamiento de la hoja y rebote. Cambie inmediatamente las hojas dañadas utilizando siempre las guías, tuercas y tornillos originales
- j) Saque todas las llaves u otras herramientas de ajuste antes de encender la sierra. Si se deja una llave en cualquier pieza giratoria de una herramienta eléctrica pueden producirse lesiones personales o situaciones de riesgo
- k) La flecha marcada en la hoja de la sierra indica la dirección de giro. Debe apuntar hacia la misma dirección que la flecha marcada en la máquina, los dientes de la sierra deben apuntar hacia abajo en la parte delantera de la sierra
- l) No toque la hoja de la sierra antes de que se enfríe. La hoja de la sierra se recalienta durante el funcionamiento
- m) Proteja la hoja de la sierra contra golpes y choques. No ejerza ninguna presión lateral sobre la hoja de la sierra
- n) No fuerce la herramienta eléctrica. Utilice la herramienta eléctrica correcta para la operación que debe efectuar. La herramienta eléctrica correcta efectúa mejor el trabajo, a la velocidad para la que ha sido diseñada
- o) Nunca se ponga encima de la herramienta eléctrica. Pueden producirse lesiones graves en caso de vuelco de la herramienta eléctrica. Utilice siempre un soporte adicional para una mayor estabilidad de la máquina
- p) La máquina se suministra con dispositivos para conectar aspiradores de polvo, asegúrese de conectarlos y usarlos en forma correcta. La recogida de polvo reduce los daños relacionados con el polvo
- q) Mantenimiento de las entradas de aire de la máquina. Deben eliminarse las acumulaciones de polvo.
- r) Compruebe que los protectores funcionen correctamente y que puedan extraerse con facilidad. Nunca bloquee el protector en su posición cuando lo abra
- s) Nunca extraiga los restos de corte de la zona de la sierra cuando esta esté en funcionamiento. Vuelva a colocar siempre el brazo de la herramienta en posición neutra antes y después de apagar la sierra
- t) Coloque la pieza de trabajo contra la hoja de la sierra solo cuando la máquina esté encendida. En caso contrario, existe riesgo de rebote si la hoja de la sierra quede encajada en la pieza de trabajo

- u) Si la hoja de la sierra se atasca. Apague la máquina y sujete la pieza de trabajo hasta que la hoja se pare completamente
- v) Evite rebotes. No debe mover la pieza de trabajo hasta que la máquina se pare completamente. Corrija la causa del atasco de la hoja de la sierra antes de volver a arrancar la máquina
- w) Cuando corte secciones de perfiles, piezas redondeadas u otras piezas, mantenga siempre la pieza sujeta para impedir que se mueva, de este modo no se inclinará, girará ni moverá durante el corte.
- x) Nunca utilice la máquina con piezas de trabajo que no puedan sujetarse bien. Si piezas de madera pequeñas u otros objetos pequeños entran en contacto con la hoja de la sierra en movimiento, pueden golpear a gran velocidad al operador o a terceras personas
- y) Utilice siempre soportes adicionales para cortar todas las piezas de trabajo
- z) Para cortar piezas largas que no quedan apoyadas. Use soportes adicionales
- aa) Nunca realice marcas de advertencia no identificables en la máquina. La información técnica o sobre el tipo de máquina deben estar siempre visibles en la máquina.

Al finalizar el proceso de corte, mantenga la cabeza de la sierra hacia abajo, apáguela y espere hasta que todas las piezas móviles se detengan, no toque la sierra antes de que se apague

3. MONTAJE Y ACCESORIOS

Instalación del corte de ingletes

- Coloque una alargadera (21) en el lado derecho de la máquina, y otra en el lado izquierdo.
- Coloque el sujetador de pieza (7) a la derecha o a la izquierda de la máquina.
- Aferre la empuñadura y mueva ligeramente la sierra hacia abajo y después tire hacia fuera la clavija (5) levemente para mover la sierra hacia arriba.

Nota: Nunca utilice la sierra de ingletes sin las alargaderas suministradas. Compruebe que estén correctamente montadas.

Guía deslizante

Fig. 2

Por motivos de seguridad, esta máquina está equipada con una guía de corte móvil para corte normal o de bisel.

- Para corte recto normal, transversal o de ingletes, ajuste siempre la guía deslizante (8) al extremo y y fíjela bien al soporte de seguridad para la pieza de trabajo suministrado.
- Para cortes de bisel, ajuste la guía deslizante (8) en la posición correcta, cerca de la superficie de la hoja de la sierra pero evitando interferir con el movimiento de la hoja y fíjela bien.

Cambiar las hojas de la sierra

Figs. 4 y 5



Utilice solamente hojas de sierra afiladas y en perfecto estado. Debe sustituir inmediatamente las hojas de sierra que estén astilladas o dobladas.

PELIGRO: No use hojas de sierra más grandes que las de capacidad indicada para la sierra. Podrían entrar en contacto con el protector de la hoja y causar daños.

No utilice una hoja demasiado gruesa para permitir que la arandela externa de la hoja encaje en el lado plano del eje. Una hoja gruesa impide que el tornillo de la hoja apriete bien la hoja en el eje. No utilice esta sierra para cortar metal o mampostería

- Desenchufe la máquina de la fuente de alimentación.
- Extraiga el tornillo (20) que sujeta el brazo retráctil de la tapa de la hoja.
- Extraiga el tornillo (19) para extraer la tapa empernada levantando la tapa de la hoja (6) hacia arriba.
- El bulón de la tapa de la sierra (17) y la brida (18) deben quedar visibles como se muestra en la fig. 5.
- Apriete el botón de bloqueo de la hoja de la sierra (22). Gire la hoja de la sierra manualmente y con cuidado, hasta que la hoja quede bloqueada.
- Con una llave hexagonal, saque el bulón (17) de la hoja de la sierra desenroscándolo en sentido horario.
- Extraiga la brida (18) y la hoja de la sierra
- Sustituya la hoja de la sierra asegurándose de que la flecha marcada en la hoja de la sierra apunte hacia la misma dirección que la flecha

indicada en la máquina. Los dientes de la hoja de la sierra deben mirar hacia abajo.

- Fije el perno de la hoja de la sierra (17), utilice el botón de bloqueo de la hoja (22) para ajustarlo bien
- Baje la tapa de la hoja (6) para que la tapa emperrada vuelva a su lugar, y ajuste el tornillo (19)
- Vuelva a colocar el brazo retráctil en la tapa de la hoja (6) ajustando el tornillo (20)
- Gire la hoja de la sierra y controle si el protector funciona libremente

Ajuste del ángulo de corte

Fig. 1 y 2

Ajuste de los ángulos de ingletes

El ángulo de inglete pueden fijarse en 45° a la izquierda y 45° a la derecha

- Afloje el botón de bloqueo (10)
- Apriete la paleta de bloqueo (11) y gire la mesa de la sierra hacia la derecha o hacia la izquierda girando el botón (10) hasta que el indicador de ángulo (23) indique el ángulo deseado.
- Suelte la paleta de bloqueo (11) y ajuste el botón de bloqueo (10)

Ajustes predeterminados (ajustes veloces) en los siguientes grados: -45°, -30°, -22.5°, -15°, 0°, 15°, 22.5°, 30°, 45°.

- Apriete la paleta de bloqueo (11) al girar la placa de base, suelte la paleta antes de que llegue a los grados deseados y la placa haga clic en el ajuste predeterminado.

Ajuste de ángulos de bisel

Figs. 1 y 3

El ángulo de bisel puede fijarse entre 0° y 45°.

- Afloje el botón de ajuste (9)
- Inclíne la sierra usando la empuñadura hasta que el indicador de ángulo (14) indique el ángulo deseado.
- Apriete el botón de ajuste (9)

Cambiar las escobillas de carbón

Fig. 2

- Desenchufe la máquina de la red de alimentación
- Desatornille la tapa (4).
- Sustituya las escobillas de carbón con el mismo tipo de escobillas
- Vuelva a apretar la tapa (4).

Nota: Sustituya siempre ambas escobillas de carbón al mismo tiempo, no mezcle nunca escobillas nuevas y usadas.

Montaje de la bolsa de polvo

Fig. 1

Apriete la traba de la bolsa de polvo (13) y deslícela en el orificio posterior de la máquina. La bolsa de polvo queda en su lugar al soltar la traba.

4. FUNCIONAMIENTO

Empleo de la sierra radial de inglete

Fig. 1



¡Antes de utilizarla, compruebe siempre si existen fallos o defectos!

- Fije el ángulo de corte deseado.
- Enchúfela a la corriente.
- Fije la pieza en su sitio utilizando las abrazaderas (7): ¡asegúrese de que el material esté bien sujeto con las abrazaderas!
- Sostenga firmemente el material en la parte izquierda mientras se asegura de que mantiene una distancia adecuada de la hoja de sierra.
- Para encender la máquina, mantenga pulsado el botón de desbloqueo (3) y pulse simultáneamente el interruptor de encendido/apagado (1).
- Asegúrese de que la hoja de sierra ha alcanzado su máxima velocidad antes de permitirle que toque la pieza que se debe serrar.
- Ahora lleve la sierra hacia atrás de forma lenta para que la hoja de sierra sierre a través de la pieza y pase a través de las ranuras de la mesa. No haga ninguna presión sobre la sierra. Déle tiempo a la herramienta para que sierre la pieza.
- Lleve con cuidado la máquina hacia arriba y apáguela soltando el interruptor (1).

Usar la función de deslizamiento

Fig. 1



La máquina debe estar firmemente anclada con pernos al banco de trabajo.

Utilice la función de deslizamiento para cortar piezas de trabajo anchas.

- Fije la pieza en posición utilizando el sujetador
- Afloje el botón (12)
- Deslice la máquina completamente hacia usted
- Encienda la máquina usando el interruptor
- Lleve la sierra lentamente hacia abajo hasta que la hoja atraviese la pieza de trabajo
- Empuje la máquina lentamente hacia atrás
- Vuelva a llevar la máquina lentamente hacia arriba y apáguela soltando el interruptor

Utilización del láser

Fig. 2

- Para encender el láser , pulse el interruptor de encendido/apagado 2.
- Para apagar el láser , suelte el interruptor de encendido/apagado 2.

Posición de transporte

Cuando desplace la sierra, asegúrese que esté en posición hacia adentro. Compruebe que todas las trabas y dispositivos de tensado estén bien sujetos:

- Compruebe que el ángulo de inglete esté colocado en 0°
- Compruebe que el ángulo de bisel esté colocado en 0°
- Bloquee el botón de ajuste del ángulo de aserrado (9) girándolo en sentido horario
- Deslice la máquina totalmente hacia usted
- Bloquee la función de deslizamiento girando el botón por la guía de deslizamiento (12) en sentido horario
- Desbloquee la clavija de bloqueo (5) que está a la derecha de la máquina
- Empuje la máquina totalmente hacia abajo
- Bloquee la clavija de bloqueo (5) que está a la derecha de la máquina

Levante la máquina cogiéndola por la parte inferior. No levante la sierra por la empuñadura con el interruptor.

5. REPARACIÓN Y MANTENIMIENTO



Asegúrese siempre de que la herramienta no esté conectada a la fuente de electricidad cuando realice el mantenimiento de la herramienta.

Guías de deslizamiento

La suciedad puede averiar las guías de deslizamiento y, por ende, el funcionamiento de la máquina.

- Limpie las guías regularmente con un paño suave.
- Vierta un poco de lubricante sobre las guías.
- Mueva la sierra hacia adelante y hacia atrás para distribuir el lubricante sobre toda la superficie de las guías.

Las herramientas se han diseñado para que funcionen por un gran periodo de tiempo sin problemas con un mantenimiento mínimo. Si se limpia de forma regular la herramienta y se utiliza de la forma adecuada, se contribuye a una vida mayor de la herramienta.

Limpieza

Limpie la carcasa de la herramienta de forma regular con un paño suave, después de cada uso. Asegúrese de que las ranuras de ventilación no estén obstruidas con polvo o suciedad. En caso de suciedad muy resistente, utilice un paño suave humedecido con agua y jabón. Nunca utilice disolventes como benzol, alcohol, amoniaco, etc., ya que estas sustancias pueden dañar las piezas de plástico.

Resolución de problemas

1. El motor no arranca

- La clavija no está enchufada
- El cable de la electricidad está roto
- El interruptor es defectuoso. Haga que reparen la máquina en su distribuidor.

2. El corte de la sierra es irregular

- La hoja de sierra debe ser afilada
- La hoja de sierra se ha montado al revés
- La hoja de sierra está atascada con resina o serrín
- La hoja de sierra no es adecuada para la pieza que se está serrando

3. La palanca de la altura o del inglete está obstruida

- Los restos o el serrín deben retirarse

4. El motor no logra alcanzar la velocidad máxima

- El cable de extensión es demasiado fino o demasiado largo
- El voltaje de la fuente de electricidad es inferior a 230 V.

5. La máquina vibra de forma excesiva

- La hoja de sierra está dañada

6. La máquina se calienta demasiado

- Las aberturas de ventilación están bloqueadas. Límpielas con un paño seco

7. El electromotor funciona de modo irregular

- Las escobillas de carbón están desgastadas. Reemplace las escobillas de carbón o consulte su distribuidor.

Lubricación

Si el botón de ajuste gira con dificultad, destorníllelo hasta que se haga visible la empaquetadura de caucho. Limpie la zona con un cepillo de cerdas suaves y vierta unas cuantas gotas de aceite sintético.

Fallos

Cuando se presente un fallo, por ejemplo, por desgaste de una pieza del aparato, póngase en contacto con la dirección de mantenimiento indicada en la tarjeta de garantía. En la parte posterior de este manual encuentra un diagrama de las piezas que se pueden ordenar.

Directiva Europea 2012/19/EU sobre residuos de aparatos eléctricos y electrónicos y su implementación en el derecho nacional, las herramientas eléctricas que dejen de funcionar deben recogerse por separado y desecharse de forma respetuosa con el medio ambiente.

GARANTÍA

Lea las condiciones de garantía que se encuentran en la tarjeta al final este manual.

El producto y el manual de usuario están sujetos a cambios. Las especificaciones pueden modificarse sin previo aviso.

MEDIO AMBIENTE

Para evitar daños al aparato durante el transporte, la herramienta se entrega empacada en un embalaje resistente. Este embalaje se fabrica, en la medida de lo posible, con material reciclable. Haga uso de la posibilidad de reciclarlo.



Toda herramienta eléctrica o electrónica defectuosa o inservible debe llevarse a un organismo especializado responsable de su deshecho.

Sólo para países CE

No deseche las herramientas eléctricas con los residuos domésticos. De conformidad con la

KAP- OCH GERINGSSÅG MED RADIELL ARM

MSM1039

Tack för att du valde denna Ferm-produkt.

Du har nu fått en utmärkt produkt, levererad av en av Europas ledande leverantörer. Alla produkter som levereras från Ferm är tillverkade enligt de högsta standarderna för prestanda och säkerhet. Som en del av vår filosofi ingår även att vi tillhandahåller en utmärkt kundservice, som även backas upp av vår omfattande garanti. Vi hoppas att du kommer att ha glädje av denna produkt i många år.

Siffrorna i texten nedan hänvisar till bilderna på sidan 2 - 3



Läs noga igenom denna bruksanvisning innan du börjar använda maskinen. Gör dig bekant hur den fungerar och sköts. Underhåll maskinen enligt anvisningarna så att den alltid fungerar felfritt. Bruksanvisning och tillhörande dokumentation ska förvaras i närheten av maskinen.

Användningsområde

Det här elverktyget är avsett att användas som en stationärmaskin för längs- och tvärsågning av trämaterial. Horisontella geringsvinklar på -45° till $+45^\circ$ samt vertikala geringsvinklar på -45° är möjligt.



Denna såg är endast avsedd för att såga trä. Använd inte sågen för att såga andra material än trä.

1. MASKINDATA

Tekniska data

Spänning	220-240 V~, 50Hz
Strömförbrukning	1500 W
Maskinklass	II (dubbelisolerad)
Varvtal, utan belastning	4.500/min
Sågklingans mått	210 x 30 x 2.8 mm
Geringsvinkel	45° (vänster och höger)
Fasvinkel	45° (endast vänster)
Max. skärkapacitet som kap- och geringssåg:	
Gering 0° , Fas 0°	70 x 305 mm
Gering 0° , Fas 45°	35 x 305 mm

Gering 45° , Fas 0°	70 x 210 mm
Gering 45° , Fas 45°	35 x 210 mm
Vikt	12 kg
Lpa (bullernivå)	93.6+3 dB(A)
Lwa (bullereffekt)	106.6+3 dB(A)

Vibrationsnivå

Vibrationsemissionsvärdet som står på baksidan av den här instruktionsboken har uppmätts enligt ett standardiserat test i enlighet med EN62841-1; detta värde kan användas för att jämföra vibrationen hos olika verktyg och som en ungefärlig uppskattning av hur stor vibration användaren utsätts för när verktyget används enligt det avsedda syftet.

- om verktyget används på ett annat än det avsedda syftet eller med fel eller dåligt underhållna tillbehör kan detta drastiskt öka vibrationsnivån.
- när verktyget stängs av eller är på men inte används, kan detta avsevärt minska vibrationsnivån.

Skydda dig mot vibration genom att underhålla verktyget och dess tillbehör, hålla händerna varma och styra upp ditt arbetssätt.

Funktioner

Fig. 1, 2, 3, 4 och 5

1. På/av-knapp
2. På/av-knapp för laser
3. Spärrknapp
4. Skydd kolborste
5. Låsstift
6. Skyddshölje för klinga
7. Klämma för arbetsstycke
8. Styrstöd
9. Vred för justering av sågvinkel
10. Låsvred
11. Låspaddel
12. Vred över glidstöd
13. Anslutning dammpåse
14. Fasningsvinkel
16. Skydd
17. Sågklingbult
18. Fläns
19. Skruv
20. Skruvindragningsarm
21. Förlängningar (vänster och höger)
22. Låsknapp sågblad
23. Vinkelindikator

2. SÄKERHETSANVISNINGAR

Vid användning av elverktyg ska de grundläggande säkerhetsföreskrifterna alltid följas för att minska risken för brand, Elstöt och personsador.

Läs alltid den specifika produktens instruktionshandbok och säkerhetsanvisningar innan du börjar använda elverktyget och spara dessa instruktioner.

Montering på en stationär maskin.

Fig. 6

Denna maskin är en stationär maskin och av säkerhetsskäl skall den alltid vara ordentligt installerad och inte användas för mobila applikationer. Du kan installera maskinen på två sätt:

- Som en stationär maskin på en arbetsbänk.
I detta fall måste maskinen fästas vid arbetsbänken med 4 bultar.
- Som en stationär maskin på en hjälpram.
I detta fall måste maskinen fästas vid hjälpramen med 4 bultar och hjälpramen förankras i golvet eller på en golvplatta med mått på minst 1 kvadratmeter.

Symboler

Följande symboler är viktiga för funktionerna i ditt elverktyg. De korrekta tolkningarna av symbolerna hjälper dig hantera verktyget mer säkert.



Anger risk för personskada, dödsfall eller skada på verktyget i händelse av att instruktionen inte följs i denna bruksanvisning.



Varning, risk för elektrisk stöt



Håll åskådare på avstånd



Använd ögonskydd



Använd hörselskydd. Exponering för buller kan orsaka hörselskador.



Använd dammfiltermask



Riskområde! Håll händerna långt borta (10 cm) från skärområdet



Rikta inte laserstrålen mot personer eller djur och titta inte in i laserstrålen själv, inte ens på avstånd. Detta elverktyget är tillverkat enligt laserklass 2 laserstrålning enligt EN 60825-1. Detta kan leda till att personen bli bländad



*Skivans mått. Beakta måtten på sågbladet. Håldiametern måste matcha verktygsspindeln utan spel. *Använd endast en fyllningsring som rekommenderas av tillverkaren, fyllningsringen får inte ha något spel*



Transportera endast maskinen när den är i aktivt transportläge

1. Arbetsplats säkerhet

- Håll arbetsplatsen ren och välbelyst. Belamrade eller mörka områden inbjuder till olyckor.
- Använd inte elektriska verktyg i explosiva atmosfärer, såsom i närvaro av lättantändliga vätskor, gaser eller damm. Elektriska verktyg bildar gnistor som kan antända dammet eller ångorna.
- Håll barn och åskådare borta medan du arbetar med ett elverktyg. Distractioner kan få dig att tappa kontrollen, eller så kan material flyga bort.
- Lämna aldrig maskinen oöversiktad utan att först koppla bort den från nätspänningen.

2. Personlig säkerhet

- Om du inte är van vid att använda en sådan maskin: Det skulle vara bättre om du först fick information av en yrkesman, en instruktör eller en tekniker
- Förvara elverktygen oåtkomliga för barn. Elektriska verktyg är farliga i händerna på oerfarna användare.
- Förvara elverktyg torrt, rent och fritt från olja och fett. Korrekt underhållna elverktyg är säkrare och lättare att kontrollera. Feta oljehandtag som är hala orsakar förlust av kontroll
- Se till att du alltid har en ren och städad arbetsmiljö. Du kan halka eller snubbla.
- Var uppmärksam, kontrollera vad du gör och använd sunt förnuft när du arbetar med ett elektriskt verktyg.

- f) Böj dig inte för långt. Bibehåll alltid ordentligt fotfäste och balans. Detta möjliggör bättre kontroll av elverktyget i oväntade situationer.
- g) Arbeta inte med en maskin om du är påverkad av alkohol, droger eller mediciner. Ett ögonblicks ouppmärksamhet under arbetet kan resultera i allvarliga personskador.
- h) Använd personlig skyddsutrustning. Använd alltid skyddsglasögon, ansiktsmask, hörselskydd, skyddsskor, använd handskar vid endast service på maskin eller råmaterial. Håll undan håret. Minska risk för personskador.
- i) Var försiktig vid sågning av dubbla geringsleder. Sågbladet, arbetsstycket och dina händer måste alltid vara synliga under sågningen.
- j) Såga aldrig mer än ett arbetsstycke samtidigt.
- k) Se till att arbetsstycket inte har några spikar eller andra främmande föremål i sig.
- l) Bearbeta aldrig metall eller sten med denna maskin.
- m) Arbeta inte med material som innehåller asbest.
- b) Använd inte maskinen med en skadad nätkabel. Rör inte den skadade kabeln och dra ut stickkontakten om kabeln skadas medan du arbetar. Skadade kablar ökar risken för en elektrisk stöt.
- c) Kontrollera kabeln regelbundet och låt reparera skadade kablar. Byt kablar eller kontakter. Kasta omedelbart bort gamla kablar eller kontakter när de har ersatts av nya. Det är farligt att sätta i kontakten på en lös kabel till vägguttaget. Använd originalnätssladd och kontakter och låt endast fackmän utföra reparationer för att garantera att verktygets säkerhet bibehålls!
- d) För att undvika elektriska stötar. När du ansluter kontakten i uttaget får inte metallstiften vidröras på något sätt.
- e) Utsätt inte elektriska verktyg för regn eller väta. Vatten som tränger in i ett elverktyg ökar risken för elstöt.
- f) Använd aldrig sladden för att dra ut kontakten ur uttaget. Håll sladden och kontakten borta från olja, värme och vassa föremål.

3. Elverktygssäkerhet

Första gången maskinen används och sedan varje efterföljande gång som den används:



Innan något arbete utförs på maskinen, dra ut stickkontakten ur vägguttaget.

Allmänt: Kontrollera hela sågen. Om någon del av maskinen saknas, är böjd, skadad eller felaktig på något annat sätt, eller om några mekaniska och/eller elektriska störningar sker eller syns, eller om maskinen avger extremt höga ljud, se instruktionsboken.

Om några fel upptäcks på maskinen, måste de alla rättas till innan maskinen används. Endast originaldelar får användas!

Om du har några frågor som kan påverka din egen säkerhet eller säkerheten i maskinen, kontakta maskinleverantören.

EI

- a) Använd alltid en originalnätkontakt som matchar uttaget, använd inte en adapter med jordade elverktyg. Omodifierade kontakter och matchande uttag minskar risken för elektrisk stöt.
- i) Reparation av en laser får endast utföras av lasertillverkaren eller en specialist.
- j) Om arbete med ett elverktyg i en fuktig lokal är oundvikligt, använd ett uttag som är skyddat med jordfelsbrytare (RCD). Användning av en jordfelsbrytare minskar risken för elektrisk stöt.

Mekaniskt

- a) Låt maskinen rotera fritt tills den når det maximala antalet varv innan du börjar processen. Kontrollera från alla lägen på sågen om sågklingan roterar fritt, om sågbladet rör någonting i maskinen, eller om någonting måste justeras eller repareras.
- b) Använd inte elverktyget om strömbrytaren inte sätter på och stänger av det. Ett elverktyg som inte kan kontrolleras med strömbrytaren är farligt och måste repareras.

- c) Använd alltid sågklinga med rätt storlek och form. Använd sågklingor som rekommenderas av tillverkaren (EN-847-1) Sågklingor som inte matchar monteringshårdvaran för sågen kommer att förstöras excentriskt, vilket orsakar förlust av kontroll
- d) Använd aldrig för liten eller för stor sågklinga. Detta är mycket farligt
- e) Ta aldrig bort markeringen på sågklingan. Teknisk information måste alltid vara synlig för att göra de rätta valen vid byte av sågklingan
- f) Säkra arbetsstycket. Kläm alltid fast arbetsstycket med skruvtingar, detta är mycket säkrare än för hand.
- g) Lämna aldrig maskinen innan den har stannat helt
- h) Använd inte stålblad för hög hastighet (HSS). Dessa medför att sågklingan lätt kan gå sönder
- i) Använd aldrig slöa, knäckta, böjda eller skadade sågklingor. Innan användning, dra ur stickkontakten och kontrollera sågklingan. Skadade eller slöa sågblad medför ett trångt sågspår, överdriven friktion, bladbindande och kast. Byt ut skadade sågklingor omedelbart, använd alltid originalflänsar, muttrar och/eller bultar.
- j) Avlägsna eventuell justeringsnyckel eller skiftnyckel innan du sätter på elverktyget. En skiftnyckel eller en nyckel som sitter kvar på en roterande del av elverktyget kan resultera i personskada och en väldigt farlig situation.
- k) Pilen är utmärkt på sågbladet, vilket indikerar rotationsriktningen. Den måste peka i samma riktning som pilen på maskinen, sågbladets tänder måste peka nedåt på framsidan av sågen.
- l) Rör inte sågklingan efter arbetet förrän den har svalnat. Klingan blir mycket varm medan du arbetar
- m) Skydda sågklingan från slag och stötar. Utsätt inte sågklingan för sidotryck
- n) Tvinga inte elverktyget. Använd det korrekta elverktyget för din tillämpning. Det korrekta elverktyget gör arbetet bättre och säkrare vid den hastighet för vilket det konstruerades.
- o) Stå aldrig på elverktyget. Allvarliga skador kan uppstå om elverktyget välter. Använd alltid extra stöd för bättre maskinstabilitet
- p) Maskinen är försedd med anordningar för dammutsugning, kontrollera att dessa är anslutna och används på rätt sätt. Dammupptagning minskar dammrelaterade risker.
- q) Underhåll luftinloppen i maskinen. Dammpluggarna måste avlägsnas.
- r) Kontrollera att skyddet fungerar korrekt och att det kan röra sig fritt. Lås aldrig fast skyddet på plats när det öppnas.
- e) Ta aldrig bort sågavfall från sågningsområdet när maskinen är igång. Styr alltid tillbaka verktygsarmen till neutralläge först och stäng sedan av maskinen.
- t) Styr endast sågklingan mot arbetsstycket när maskinen är på. Annars finns det en risk för ett kast när sågklingan blir fastkilad i arbetsstycket.
- u) Om sågklingan fastnar. Stäng av maskinen och håll i arbetsstycket tills sågklingan kommer till ett fullständigt stopp.
- v) Så här förhindrar du bakslag. Arbetsstycket får inte flyttas förrän maskinen har stannat helt. Åtgärda orsaken till att sågklingan fastnat innan du startar om maskinen.
- w) Vid sågning av profiler, runda bitar eller andra delar, tryck alltid arbetsstycket stadigt mot stoppet, så att det inte kan vända sig eller flytta sig under sågningen.
- x) Använd aldrig maskinen till att såga arbetsstycken som är för små för att fästas på ett säkert sätt. Små bitar av trä eller andra föremål som kommer i kontakt med det roterande sågbladet kan slungas ut och träffa operatören eller andra personer med hög hastighet.
- y) Använd alltid extra stöd för all sågning.
- z) Vid sågning av stora arbetsstycken som inte stöds. Använd extra stöd
- aa) Låt aldrig varningsskyltarna på maskinen bli oigenkännliga. Teknisk information eller maskintypsinformation ska alltid vara synlig på maskinen.

Vid slutet av sågprocessen, håll ner såghuvudet, stäng av maskinen och vänta tills alla rörliga delar har stannat innan du tar bort händerna från maskinen.

3. MONTERING OCH TILLBEHÖR

Installation av geringssågen

- Placera ett förlängningsstycke (21) på högra sidan av maskinen och det andra

förlängningsstycket på den vänstra sidan av maskinen.

- Placera klämman för arbetsstycket (7) på vänster eller höger sida av maskinen.
- Håll handtaget och flytta sågen något nedåt och dra sedan ut stiftet (5) något så att maskinen frigörs.

OBS! Använd aldrig geringssågen utan de medföljande förlängningsdelarna. Se till att de är korrekt monterade.

Glidstöd

Fig. 2

Av säkerhetsskäl är denna maskin utrustad med ett rörligt styrstöd för att användas i vanlig sågning och vinkelsågning.

- För normala raka tvärgående snitt och geringssågning, justera alltid glidstödet (8) till slutet och sätt fast ordentligt för säkert stöd för arbetsstycket.
- För fasningsågning, justera glidstödet (8) till en lämplig position nära sågbladets yta men undvik att störa rörelsen för sågklingan och se till att sätta fast ordentligt.

Byte av sågklinga

Fig. 4 och 5



Använd endast sågklingor som är skarpa och oskadade. Du måste omedelbart byta flisade eller böjda sågklingor.

FARA! Använd inte någon klinga som är större än den angivna kapaciteten för sågen. Den kan komma i kontakt med klingskyddet och orsaka skada.

Använd inte en klinga som för tjock för att tillåta det yttre bladets bricka att ingripa med de plana ytorna på spindeln. Detta förhindrar klingskruven från att säkra klingan på spindeln.

Använd inte denna såg för att skära metall eller murverk

- Koppla bort maskinen från elnätet.
- Ta bort skruven (20) som håller fast indragningsarmen vid klingskyddet.
- Ta bort skruven (19) för att avlägsna bultlocket genom att lyfta klingskyddet (6) uppåt.
- Både sågklingbulten (17) och flänsen (18) ska vara synliga nu enligt fig. 5.
- Tryck på sågklingans låsknapp (22) Roter klingan försiktigt för hand tills klingan låses.

- Använd insexnyckel för att avlägsna sågklingbulten (17) genom att lossa i medurs riktning.
- Demontera flänsen (18) och sågklingan
- Byt sågklingan och se till att pilen på sågbladet pekar i samma riktning som pilen som är markerad på maskinen. Sågklingans tänder måste peka nedåt.
- Fäst sågklingbulten (17) med sågklingans låsknapp (22) för att säkra ordentligt
- Sänk klingskyddet (6) för att bultskyddet ska falla tillbaka på plats och dra åt skruven (19)
- Fäst indragningsarmen på klingskyddet(6) igen genom att dra åt skruven (20)
- Roter klingan och kontrollera om skyddet fungerar fritt

Justering av skärvinkel

Fig. 1 och 2.

Justera geringsvinklar

Geringsvinkeln kan ställas in mellan 45 ° vänster och 45 ° höger

- Lossa låsknappen (10)
- Tryck in låspaddeln (11) och vrid sågbordet till vänster eller höger med låsknappen (10) tillsvinkelindikatorn (23) anger önskad vinkel.
- Lossa låspaddeln (11) och dra åt låsvredet (10) Förinställningar (snabbinställningar) finns på följande grader: -45°, -30°, -22.5°, -15°, 0°, 15°, 22.5°, 30°, 45°.
- Tryck in låspaddeln (11) när du vrider bottenplattan, släpp paddeln innan de önskade graderna och släpp plattan med ett "klick" i förinställningen.

Justera fasningsvinklar

Fig. 1 och 3

Fasningsvinkeln kan ställas in mellan 0 ° och 45 °.

- Lossa justeringsvredet (9)
- Luta sågen med hjälp av handtaget tills vinkelindikatorn (14) anger önskad vinkel.
- Dra åt justeringsvredet (9)

Byte av kolborstar

Fig. 2

- Koppla bort maskinen från elnätet
- Skruva loss de lock (4).
- Byt ut kolborstarna mot exakt samma typ av borstar
- Dra åt lock (4) igen.

OBS!: Byt alltid ut båda kolborstarna samtidigt, använd aldrig en blandning av gamla och nya borstar.

Montering av damppåse

Fig. 1

Tryck in klämman på damppåsen (13) och skjut den över uttaget på baksidan av maskinen. Damppåsen sitter på plats när du släpper klämman.

4. ANVÄNDNING

Använda kap- och geringssåg

Fig. 1



Innan sågen tas i bruk, kontrollera att den inte har några brister eller skador!

- Ställ in önskad sågvinkel.
- Sätt i stickkontakten i eluttaget.
- Fäst arbetsstycket med hjälp av klämmorna (7): se till att materialet sitter fast ordentligt!
- Håll stadigt i materialet på vänster sida och se till att du håller dig på säkert avstånd från sågklingan.
- För att starta maskinen, tryck in spärrknappen (3) och samtidigt tryck på strömbrytaren (1).
- Se till att sågklingan går med fullt varvtal innan du låter den röra arbetsstycket.
- Tryck långsamt ned såghuvudet så att sågklingan sågar genom arbetsstycket och passerar genom sågsnittet i bordet. Pressa inte ned sågen. Låt maskinen arbeta i sin egen takt när den sågar genom arbetsstycket.
- För lugnt upp såghuvudet igen och stäng av sågen genom att släppa strömbrytaren (1).

Använda glidfunktionen

Fig. 1



Maskinen ska vara stadigt fastskruvad på en arbetsbänk.

Använd glidfunktionen för sågning av breda arbetsstycken:

- Fäst arbetsstycket plats med hjälp av klämman
- Lossa vredet (12)
- Skjut maskinen helt mot dig själv
- Slå på maskinen med strömbrytaren
- För sågen sakta nedåt så att sågklingan sågar genom arbetsstycket

- Skjut maskinen sakta bakåt
- Ställ maskinen försiktigt upp igen och stäng av den genom att släppa strömbrytaren

Bruk av lasern

Fig. 2

- För att starta lasern, tryck på strömbrytaren 2.
- För att stänga av lasern, släpp strömbrytaren 2.

Transportposition

När sågen flyttas, se till att sågen är i inåtriktad position. Kontrollera att alla lås och spännanordningar är säkra:

- Se till att geringsvinkeln är inställd på 0°
- Se till att fasvinkeln är inställd på 0°
- Lås inställningsratten för sågvinkeln (9) genom att vrida den medurs
- Skjut maskinen helt ned mot dig
- Lås glidfunktionen genom att vrida ratten för glidstöd (12) medurs
- Lås upp låspinnen (5) på höger sida av maskinen
- Skjut maskinen helt nedåt
- Lås låspinnen (5) på höger sida av maskinen

Lyft endast maskinen med den fasta undersidan på maskinen. Lyft inte sågen med omkopplingshandtaget.

5. SERVICE & UNDERHÅLL



Se alltid till att maskinen inte är spänningsförande när underhållsarbeten utförs.

Glidstänger

Smuts kan skada glidstängerna och därefter maskinens funktion.

- Gör rent glidstängerna regelbundet med en mjuk trasa.
- Droppa lite smörolja på stängerna.
- Rör sågen framåt och bakåt så att oljan sprids ut ordentligt på stängerna.

Maskiner har konstruerats för att under lång tid fungera problemfritt med ett minimalt underhåll. Genom att regelbundet rengöra maskinen och hantera den på rätt sätt bidrar du till en lång livslängd för din maskin.

Problemlösning

1. Motorn startar inte

- Stickkontakten sitter inte i eluttaget.
- Elkabeln är trasig.
- Strömbrytaren är trasig. Ta maskinen till din återförsäljare för reparation.

2. Sågsnittet är inte jämnt (ojämnt)

- Sågklingan måste slipas.
- Sågklingan är monterad bakochfram.
- Sågklingan är tilltäppt med kåda eller sågspån.
- Sågklingan är inte lämplig för arbetsstycket.

3. Höjd- och/eller geringsspaken blockeras

- Sågspån och/eller damm måste tas bort.

4. Motorn har problem med att uppnå full hastighet

- Förlängningssladden är för tunn och/eller för lång.
- Strömtillförseln är lägre än 230 V.

5. Maskinen vibrerar överdrivet

- Sågklingan är skadad.

6. Maskinen blir överdrivet het

- Ventilationshålen är tilltäppta. Rengör dem med en torr trasa.

7. Elektromotorn går ojämnt

- Kolborstarna är slitna. Byt ut kolborstarna eller kontakta din återförsäljare.

Rengöring

Rengör maskinhöljet regelbundet med en mjuk trasa, företrädesvis efter varje användning. Se till att ventilationshålen är fria från damm och smuts. För att ta bort hård smuts, använd en mjuk trasa fuktad med tvållösning. Använd aldrig lösningsmedel såsom bensen, alkohol, ammoniak etc. Dessa lösningsmedel kan skada plastdelarna.

Smörjning

Denna maskin behöver ingen extra smörjning.

Fel

Kontakta servicestället som anges på garantibeviset om ett fel uppstår, t.ex. på grund av en del som är nedsliten. I slutet av den här bruksanvisningen finns en sprängskiss över de delar som kan beställas.

MILJÖ

För att förhindra transportskador levereras maskinen i en solid förpackning. Förpackningen består i stor utsträckning av återanvändningsbart material. Använd dig alltså av möjligheten att återanvända förpackningen.



Skadade och/eller kasserade elektriska och elektroniska apparater ska lämnas in enligt gällande miljöregler.

Endast för EU-länder

Släng inte elverktyg i hushållsavfallet. Enligt det europeiska WEEE-direktivet 2012/19/EU för avfall från elektrisk och elektronisk utrustning och dess tillämpning nationellt ska elverktyg som inte längre kan användas samlas in separat och kasseras på ett miljövänligt sätt.

GARANTI

Läs igenom garantivillkoren på det separat bifogade garantikortet.

Med förbehåll för ändringar i produkten och bruksanvisningen. Specifikationer kan ändras utan förvarning.

RADIAALINEN JIIRISAHA MSM1039

Kiitämme teitä tämän Ferm-tuotteen valinnasta.

Olette hankkineet erinomaisen tuotteen, jonka valmistaja on yksi Euroopan johtavia toimittajia. Kaikki Ferm-yhtiön toimittamat tuotteet on valmistettu korkeimpien suorituskyky- ja turvallisuusstandardien mukaan. Osana filosofiaamme tarjoamme myös korkealuokkaisen asiakaspalvelun, jota tukee kokonaisvaltainen takuu. Toivomme, että tuote palvelee teitä monia vuosia.

Tekstin numerot viittaavat kaavioihin sivulla 2 - 3



Lue tämä käyttöohje huolellisesti ennen laitteen käyttöönottoa. Tutustu laitteen toimintatapaan ja käyttöön. Huolla laite ohjeiden mukaisesti, jotta se toimii aina moitteettomasti. Käyttöohje ja siihen liittyvät asiakirjat on säilytettävä laitteen läheisyydessä.

Käyttötarkoitus

Tämä sähkötyökalu on tarkoitettu paikallaan olevaksi koneeksi suorien pituussuuntaisten ja poikittaisten sahausten tekemiseksi puuhun. Koneen avulla voidaan tehdä vaakasuoria jiirikulmia -45° - +45° sekä pystysuoria kulmia -45°.



Tämä saha on tarkoitettu ainoastaan puun sahaamiseen. Saha ei saa käyttää muiden kuin puumateriaalien sahaamiseen.

1. LAITETIEDOT

Tekniset tiedot

Jännite	220-240 V~, 50Hz
Teho	1500 W
Suojausluokka	II (kaksinkertainen eristys)
Pyörimisnopeus kuormittamattomana	4.500/min
Terän mitat	210 x 30 x 2.8 mm
Jiirikulma	45° (vasemmalle ja oikealle)
Viistokulma	45° (vain vasemmalle)
Suurin sahausalue liukujiirisaha:	
jiirikulma 0°, viistokulma 0°	70 x 305 mm
jiirikulma 0°, viistokulma 45°	35 x 305 mm

jiirikulma 45°, viistokulma 0°	70 x 210 mm
jiirikulma 45°, viistokulma 45°	35 x 210 mm
Paino	12 kg
Lpa (äänepainetaso)	93.6+3 dB(A)
Lwa (äänentehotas)	106.6+3 dB(A)

Tärinätaso

Tämän ohjekirjan takana mainittu tärinäsaiteilytaso on mitattu standardin EN62841-1 mukaisen standarditestin mukaisesti; sitä voidaan käyttää verrattaessa yhtä laitetta toiseen sekä alustavana tärinälle altistumisen arviona käytettäessä laitetta manituissa käyttötarkoituksissa.

- laitteen käyttö eri käyttötarkoituksiin tai erilaisten tai huonosti ylläpidettyjen lisälaitteiden kanssa voi lisätä merkittävästi altistumistasoa.
- laitteen ollessa sammuksissa tai kun se on käynnissä, mutta sillä ei tehdä työtä, altistumistaso voi olla huomattavasti pienempi.

Suojaudu tärinän vaikutuksilta ylläpitämällä laite ja sen lisävarusteet, pitämällä kädet lämpiminä ja järjestämällä työmenetelmät.

Ominaisuudet

Kuvat 1, 2, 3, 4 ja 5

1. Virtakytkin
2. Laserin virtakytkin
3. Lukituksen poistopainike
4. Hiiliharjan suojuus
5. Lukitustappi
6. Terän suojuus
7. Työstökappaleen kiinnitin
8. Liukuohjain
9. Sahakulman säätönuppi
10. Lukitusnuppi
11. Lukitusvipu
12. Liukutuen nuppi
13. Pölypussin liitos
14. Viistekulma
15. Suoja
16. Sahanterän pultti
17. Laippa
18. Ruuvi
19. Sisäänvetovarren ruuvi
20. Pidennyskappaleet (vasen ja oikea)
21. Sahanterän lukituspainike
22. Kulman osoitin

2. TURVALLISUUSOHJEET

Sähkötyökalujen käytön aikana on noudatettava perusturvallisuusohjeita tulipalovaaran välttämiseksi. Sähköisku ja henkilövahinko. Lue tuotetta koskeva ohjekirja ja turvallisuusohjeet ennen sähkötyökalun käyttöä ja säilytä ohjeita varmassa paikassa.

Koneen pysyvä asennus.

Kuva. 6

Tämä kone on tarkoitettu pysymään paikoillaan ja se on turvallisuusyhteyksien asennettava aina tiukasti paikoilleen. Koneita ei saa käyttää liukkuissa käyttökohteissa. Kone voidaan asentaa kahdella eri tavalla:

- Työtasoon pysyvästi kiinnitetty kone. Kone on kiinnitettävä työtasoon 4 pultilla.
- Alarunkoon pysyvästi kiinnitetty kone. Kone on kiinnitettävä alarunkoon 4 pultilla ja alarunko on kiinnitettävä 4 pultilla lattialevyn, jonka koko on vähintään 1 neliometri.

Symbolit

Seuraavat symbolit ovat tärkeitä sähkötyökalun käyttöä varten. Kyseisten symbolien virheetön tulkinta auttaa käyttämään sähkötyökalua turvallisesti.



Ilmoittaa henkilövahingon, kuolemanvaaran tai työkalun vaurioitumisvaarasta, ellei tämän ohjekirjan ohjeita noudateta



Huomio, sähköiskuvaara



Pääsy kielletty ulkopuolisilta



Käytä suojalaseja



Käytä kuulonsuojaimia Melulle altistuminen voi aiheuttaa kuulon heikentymisen.



Käytä hengityssuojaa



Vaara-alue! Pidä kätet kaukana (10 cm) leikkausalueelta koneen ollessa käynnissä. Henkilövahinkovaara, jos sahanterään kosketetaan.



Älä kohdista lasersädettä muihin henkilöihin tai eläimiin. Älä katso lasersäteeseen edes välimatkan päästä. Tämä sähkötyökalu tuottaa luokan 2 lasersäteeseen standardin EN 60825-1 mukaisesti. Tämä voi johtaa sokeutumiseen.



*Levyn mitat. Huomaa sahanterän koko. Reiän halkaisijan on sovittava työkalun karaan, välystä ei saa olla. *Käytä ainoastaan toimittajan määrittämää täyttöengasta, välystä ei saa olla lainkaan.*



Kuljeta konetta ainoastaan sisäänpäin suuntautuneessa kuljetusasennossa.

1. Työalueen turvallisuus

- Pidä työalue mahdollisimman puhtaana ja varmista alueen hyvä valaistus. Onnettomuuksia voi sattua helpommin epäsiistillä tai huonosti valaistulla alueella.
- Älä käytä sähkötyökaluja räjähdysalttiissa ympäristössä, kuten syttyvien nesteiden, kaasujen tai pölyn lähellä. Sähkötyökalut luovat kipinöitä, jotka voivat sytyttää pölyn tai höyryt.
- Varmista, etteivät lapset tai sivulliset pääse työkalun lähelle sen ollessa käytössä. Epähuomio voi johtaa hallinnan menetykseen tai materiaalin sinkoamiseen.
- Älä koskaan jätä konetta ilman valvontaa ennen kuin se on irrotettu sähköverkosta.

2. Henkilökohtainen turvallisuus

- Jos et ole tutustunut koneen käyttöön. Ammattilaisen, ohjaajan tai teknikon on annettava sinulle laitteen käyttöä koskevia ohjeita.
- Säilytä tyhjäkäynnillä käyvät sähkötyökalut lasten ulottumattomissa. Sähkötyökalut ovat vaarallisia kouluttamattomien henkilöiden käsissä.
- Pidä sähkötyökalut kuivina, puhtaina, öljyttöminä ja rasvattomina. Oikeaoppisesti säilytetyt sähkötyökalut ovat turvallisempia ja niitä voidaan hallita helpommin. Rasvaiset kahvat ovat liukkaita ja voivat aiheuttaa koneen hallinnan menetyksen.
- Varmista, että työympäristö on aina puhdas ja siisti. Muutoin vaarana on liukastuminen tai kaatuminen.
- Pysy valppaana, tarkkaile toimenpiteitä ja käytä

- tervettä järkeä sähkötyökalun käytön aikana.
- Älä kurkottele. Varmista aina hyvä jalansija ja tasapaino. Tämä mahdollistaa sähkötyökalun paremman hallinnan odottamattomissa tilanteissa.
 - Älä käytä konetta alkoholin, huumeaineiden tai lääkkeiden vaikutuksen alaisena. Epähuomio sähkötyökalun käytön aikana voi johtaa vaaratilanteeseen.
 - Käytä aina suojavarusteita. Käytä aina suojalaseja, hengityssuojaa, kuulonsuojaimia, turvajalkineita. Käytä suojakäsineitä koneen huollossa tai raakamateriaaleja käsitellessä. Sido hiukset. Henkilövahinkojen välttäminen
 - Ole varovainen kaksoisviistesauvoja sahatessa. Sahanterän, työstökappaleen ja käsien on oltava aina näkyvissä sahaamisen aikana.
 - Älä sahaa koskaan useampaa kuin yhtä työstökappaletta kerrallaan.
 - Varmista, ettei työstökappaleessa ole nauloja tai muita vieraita esineitä.
 - Älä koskaan käytä tätä konetta metallin tai kiven työstämiseen.
 - Älä työstä asbestia sisältävää materiaalia.

3. Sähkötyökalun turvallisuus

Koneen ensimmäisen käyttökerran ja sen jälkeen jokaisen käyttökerran yhteydessä:



Irrota pistoke pistorasiasta ennen toimenpiteiden suorittamista koneeseen.

Yleistä: Tarkista koko sahakone. Jos koneessa on puuttuvia, taittuneita, vaurioituneita tai viallisia osia, tai jos mekaanisia tai sähköisiä vikoja esiintyy tai havaitaan, tai jos koneen melutaso on erittäin korkea, lue lisäohjeita ohjekirjasta. Jos koneessa havaitaan vikoja, ne tulee korjata ennen koneen käyttöä. Vain alkuperäisiä varaosia saa käyttää!

Jos sinulla on kysyttävää omaan turvallisuuteesi tai koneen turvallisuuteen liittyen, ota yhteyttä koneen jälleenmyyjään.

Sähköjärjestelmä

- Käytä aina alkuperäistä pistoketta, joka sopii pistorasiaan. Älä käytä sovitinta maadoitetuilla sähkötyökaluilla. Muuttamattomat pistokkeet

- ja sopivat pistorasiat vähentävät sähköiskun vaaraa.
- Älä käytä konetta vaurioituneella virtajohtolla. Älä koske vaurioituneeseen johtoon tai vedä pistokkeesta käytön aikana, kun johto on vaurioitunut. Vaurioituneet johdot lisäävät sähköiskun vaaraa.
- Tarkista johto säännöllisesti ja korjauta vaurioitunut johto. Johtojen tai pistokkeiden vaihto. Hävitä vanhat johdot ja pistokkeet välittömästi, kun ne on vaihdettu uusiin. Irtonaisen johdon pistokkeen liittäminen pistorasiaan on vaarallista. Käytä alkuperäistä virtajohtoa ja pistoketta, ne saa korjata vain valtuutettu henkilö sähkötyökalun turvallisuuden säilyttämiseksi!
- Sähköiskujen välttäminen. Kun pistoke liitetään pistorasiaan, metallipistikkeisiin ei saa missään tapauksessa koskettaa.
- Suojaa sähkötyökalut vesisateelta ja kosteudelta. Jos sähkötyökaluun pääsee vettä, sähköiskun vaara on suurempi.
- Älä koskaan irrota pistoketta sähköverkosta sähköjohdosta vetämällä. Suojaa johto ja pistoke öljyltä, lämmöltä ja teräviltä kohteilta.
- Jos sähkötyökalua käytetään ulkona, käytä ulkokäyttöön sopivaa jatkojohtoa. Käytä ulkokäyttöön sopivaa johtoa, jolloin sähköiskun vaara on pienempi.
- Kun koneessa on laser. Älä kohdista lasersädettä muihin henkilöihin tai eläimiin. Älä katso lasersäteeseen. Edes välimatkan päästä. Laserin on oltava standardin EN 60825-1 luokan 2 mukainen.
- Laserin saavat korjata vain laserin valmistaja tai alan ammattilainen.
- Jos sähkötyökalua on käytettävä kosteassa ympäristössä, käytä vikavirtasuojakytkintä (RCD). Vikavirtasuojakytkimen käyttö vähentää sähköiskun vaaraa.

Mekaaninen järjestelmä

- Anna koneen käydä vapaasti ennen sen käyttöönottoa, kunnes nimelliskierrosnopeus saavutetaan. Tarkista kaikissa koneen asennoissa, että sahanterä pyörii vapaasti. Jos sahanterä koskettaa johonkin, kone tulee säätää tai korjata.
- Älä käytä sähkötyökalua, jos virtakytkin ei kytkeydy päälle ja pois päältä. Jos sähkötyökalua ei voida hallita virtakytkimellä, vaaratilanteita voi syntyä ja se tulee korjata.

- c) Käytä aina oikean kokoisia ja muotoisia sahanteriä. Käytä valmistajan suosittelemia sahanteriä (EN-847-1). Jos sahanteri ei sovi sahan asennusjärjestelmään, saha toimii epäkeskisesti ja sen hallinta voidaan menettää
- d) Älä koskaan käytä liian pieniä tai suuria sahanteriä. Se on erittäin vaarallista.
- e) Älä koskaan poista sahanterän merkintöjä. Teknisten tietojen on oltava aina näkyvissä, jotta sahanteri voidaan vaihtaa oikeanlaiseen terään.
- f) Varmista työstökappale paikoilleen. Kiinnitä työstökappale aina paikoilleen kiinnityslaitteilla, jolloin se on turvallisempaa kuin käsillä pitäminen.
- g) Älä koskaan jätä konetta ilman valvontaa, ennen kuin se on pysähtynyt kokonaan.
- h) Älä käytä nopeita teräksestä valmistettuja sahanteriä (HSS). Sahanteri voi tällöin rikkoutua helposti.
- i) Älä koskaan käytä tylsiä, haljenneita, taittuneita tai vaurioituneita sahanteriä. Irrota pistoke sähköverkosta ja tarkista sahanteri ennen käyttöä. Vaurioituneiden tai tylsien terien käyttö aiheuttavat kapean kolon, liiallisen kitkan, terän kiinni juuttumisen ja takaisiniskun vaaran. Vaihda vaurioituneet teräs välittömästi, käytä aina alkuperäisiä suojuksia, mutteria ja pultteja.
- j) Poista mahdolliset säätövaimet ennen työkalun käynnistämistä. Jos jokin avain on jätetty kiinni sähkötyökalun liikkuvaan osaan, seurauksena voi olla henkilövahinko ja vaaratilanne.
- k) Sahanterään on merkitty sen kiertosuunta. Nuolen on osoitettava koneessa olevan nuolen osoittamaan suuntaan, sahanterän hampaiden on osoitettava alaspäin sahan etuosassa.
- l) Älä kosketa sahanterään työtoimenpiteiden jälkeen ennen kuin se on jäähtynyt. Sahanteri kuumenee erittäin kuumaksi käytön aikana.
- m) Suojaa sahanteri iskulta. Älä kohdistaa sivupainetta sahanterään.
- n) Älä kohdistaa voimaa sähkötyökaluun. Käytä oikeaa sähkötyökalua käyttötarkoitukseen. Oikea sähkötyökalu suoriutuu tehtävästä paremmin ja turvallisemmin suunnitellulla kiertonopeudella.
- o) Älä koskaan seiso sähkötyökalun päällä. Vakava vahinko voi tapahtua, jos sähkötyökalu kaatuu. Käytä aina lisätukia koneen vakauden takaamiseksi.
- p) Koneessa on pölynpoistolaitteet, varmista niiden kytkentä ja oikeaoppinen käyttö.
- Pölynpoisto vähentää pölyä koskevia vaaroja.
- q) Varmista koneen ilmanottoaukkojen toiminta. Pölykertymät tulee poistaa.
- r) Varmista, että suojus toimii oikein ja liikkuu vapaasti. Älä koskaan lukitse avointa suojusta paikoilleen.
- s) Älä koskaan poista leikkausmuistutuksia sahausalueelta koneen ollessa käynnissä. Ohjaa työkalun varsi takaisin neutraaliin asentoon ja kytke sitten kone pois päältä.
- t) Ohjaa sahanteri työstökappaletta vasten vasta sitten, kun kone on kytketty päälle. Muutoin on olemassa takaisiniskun vaara, kun sahanteri on lukittu kiiloilla työstökappaleeseen.
- u) Jos sahanteri lukittuu. Sammuuta kone ja pidä työstökappaleesta kiinni, kunnes sahanteri on pysähtynyt kokonaan.
- v) Takaisiniskun ehkäiseminen. Työstökappaletta ei saa siirtää ennen kuin kone on pysähtynyt kokonaan. Korjaa sahanterän lukituksen syy ennen koneen uudelleen käynnistämistä.
- w) Profiiliosia, pyöreitä tai muita kappaleita sahatessa työstökappaletta on aina painettava pysäytintä vasten lukittuna, jotta se ei voi kallistua, kääntyä tai liikkua sahaamisen aikana.
- x) Älä koskaan käytä konetta liian pienien kappaleiden sahaamiseen, sillä niitä ei voida kiinnittää riittävän hyvin paikoilleen. Pienet puukappaleet tai muut kappaleet, jotka osuvat pyörivään sahanterään, voivat singota ja osua käyttäjään tai sivullisiin suurella nopeudella.
- y) Käytä aina lisätukia sahaamisen aikana.
- z) Tukemattomien suurien työstökappaleiden sahaaminen. Käytä lisätukia.
- aa) Älä koskaan peitä koneessa olevia varoitusmerkkejä. Koneen teknisten tietojen ja koneen tyyppin on oltava aina näkyvissä.

Pidä sahan päätä alaspäin sahaamisen jälkeen, sammuta kone ja odota, että liikkuvat osat ovat pysähtyneet ennen kuin poistat kädet koneesta.

3. ASENNUS JA LISÄVARUSTEET

Viistesahan asennus

- Aseta sivupalkki (21) koneen oikealle puolelle ja toinen sivupalkki koneen vasemmalle puolelle.
- Aseta työstökappaleen kiinnitin (7) koneen vasemmalle tai oikealle puolelle.
- Pidä kiinni kahvasta ja siirrä sahaa hiukan

alaspäin, vedä sitten tappi (5) hiukan ulos, jotta saha siirtyy ylöspäin.

Huomaa: Älä koskaan käytä viistesahaa ilman toimitettuja jatkeita. Varmista niiden oikeaoppinen asennus.

Liukuohjain

Kuva 2

Turvallisuussyistä koneessa on liikutettava liukuohjain, jota voidaan käyttää normaaleissa ja viisteleikkauksissa.

- Normaaleissa suorissa poikki- ja viisteleikkauksissa liukuohjain (8) on aina säädettävä päähän ja kiinnitä hyvin työstökappaleen tukemiseksi turvalliseksi.
- Viisteleikkauksissa liukuohjain (8) on säädettävä oikeaan asentoon mahdollisimman lähelle sahanterän pintaa. Vältä sahanterään osumista ja varmista sen hyvä kiinnitys.

Sahanterien vaihto

Kuva 4 ja 5



Käytä ainoastaan teräviä ja ehjiä sahanteriä. Haljenneet tai taittuneet sahanterät on vaihdettava välittömästi.

VAARA: Älä käytä sahan kapasiteettia suurempaa terää. Se voi osua terän suojukseen ja aiheuttaa vahinkoja. Älä käytä liian paksua terää, jotta ulkoinen terän aluslaatta kytkeytyy karan osiin. Tämä estää sahanterän kiinnittymisen karaan ruuvien avulla. Älä käytä tätä sahaa metallin tai kivimateriaalin sahaamiseen.

- Irrota kone sähköverkosta.
- Irrota ruuvi (20), joka pitää sisäänvetovarren terän suojuksessa.
- Poista ruuvi (19) pultin suojuksen poistamiseksi nostamalla terän suojusta (6) ylöspäin.
- Sahanterän pultin (17) ja laipan (18) on oltava näkyvissä kuvan 5 mukaisesti.
- Paina sahanterän lukituspainiketta (22), kierrä sahanterää varoen käsin, kunnes terä lukittuu paikoilleen.
- Poista sahanterän pultti (17) kuusiokoloavaimella löysäämällä sitä myötäpäivään.
- Poista laippa (18) ja sahanterä.
- Vaihda sahanterä ja varmista, että sahanterässä oleva nuoli osoittaa samaan suuntaan kuin

koneeseen merkitty nuoli. Sahanterän hampaiden on osoitettava alaspäin.

- Kiinnitä sahanterän pultti (17) ja kiristä se hyvin sahanterän lukituspainikkeella (22).
- Laske terän suojusta (6), jotta pultin suojus siirtyy takaisin paikoilleen ja kiristä ruuvi (19).
- Kiinnitä sisäänvetovarsi takaisin terän suojuksen (6) ruuvia (20) kiristämällä.
- Kierrä sahanterää ja tarkista, että suojus toimii vapaasti.

Leikkauskulman säätö

Kuva 1 ja 2

Viistekulmien säätö

Viistekulmaksi voidaan asettaa 45° vasemmalle ja 45° oikealle puolelle.

- Löysää lukitusnuppia (10).
- Paina lukitusvipua (11) ja käännä sahapöytää vasemmalle tai oikealle lukitusnupista (10), kunnes kulman osoitin (23) on vaaditun kulman kohdalla.
- Vapauta lukitusvipu (11) ja kiristä lukitusnuppi (10).

Seuraavat esiasetukset (pika-asetukset) ovat saatavilla: -45°, -30°, -22.5°, -15°, 0°, 15°, 22.5°, 30°, 45°.

- Paina lukitusvipua (11) aluslaattaa kääntäessä, vapauta vipu ennen vaaditun asteen saavuttamista. Esiasetus "napsahtaa" paikoilleen.

Kaltevuuskulmien säätö

Kuva 1 ja 3

Kaltevuuskulmaksi voidaan asettaa 0° - 45°.

- Löysää säätönuppia (9).
- Kallista sahaa kahvasta, kunnes kulman osoitin (14) on vaaditun kulman kohdalla.
- Kiristä säätönuppi (9).

Hiiharjojen vaihto

Kuva 2

- Irrota kone sähköverkosta.
- Irrota suojus (4) ruuvit moottorin.
- Vaihda hiiharjat tarkalleen samanlaisiin harjoihin.
- Kiristä suoja (4) uudelleen.

Huomaa: Vaihda molemmat hiiharjat aina samanaikaisesti. Älä koskaan käytä vanhoja ja uusia harjoja sekaisin.

Pölypussin asennus

Kuva 1

Paina pölypussin kiinnintä (13) ja liu'uta se koneen takana olevaan aukkoon. Pölypussi pysy paikoillaan, kun vapautat kiinnittimen.

4. KÄYTTÖ

Katkaisusahan käyttö

Kuva 1



Tarkasta aina ennen käyttöä, että laite ei ole vioittunut!

- Säädä haluttu sahauskulma.
- Yhdistä pistotulppa pistorasiaan.
- Kiinnitä työkappale kiinnittimillä (7) ja varmista, että se on lujasti kiinni.
- Pidä työkappale tiukasti sahan vasemmalla puolella pysyen samalla itse turvallisella etäisyydellä terästä.
- Kytke kone päälle pitämällä lukituksen poistopainiketta (3) painettuna ja painamalla samanaikaisesti virtakytkintä (1).
- Odota, että terä pyörii täydellä nopeudella, ennen kuin annat sen koskea sahattavaan kappaleeseen.
- Vie terä nyt hitaasti alas, niin että se leikkaa työkappaleen ja painuu työtasossa olevaan uraan. Älä paina terää voimalla, vaan anna laitteen katkaista työkappale hitaasti.
- Nosta terä varoen takaisin ylös ja pysäytä se vapauttamalla kytkin (1).

Liukutoiminnon käyttö

Kuva 1



Kone on kiinnitettävä tiukasti työtasoon.

Käytä liukutoimintoa leveiden työstökappaleiden sahaamiseen:

- Kiinnitä työstökappale paikoilleen kiinnittimellä.
- Löysää nuppia (12).
- Liu'uta kone kokonaan itseesi päin.
- Kytke kone päälle virtakytkimellä.
- Vie sahaa hitaasti alaspäin, jotta sahanterä sahaa työstökappaleeseen.
- Paina konetta hitaasti taaksepäin.
- Vie kone uudelleen kevyesti ylöspäin ja kytke se pois päältä vapauttamalla virtakytkin.

Laserin käyttö

Kuva 2

- Kytke laser päälle painamalla virtakytkintä 2.
- Kytke laser pois päältä vapauttamalla virtakytkin 2.

Kuljetusasento

Varmista sahaa liikuttaessa, että saha on sisäasennossa. Tarkista, että kaikki lukot ja kiristyslaitteet ovat hyvin paikoillaan:

- Varmista, että viistekulma on asetettu arvoon 0°
- Varmista, että kaltevuuskulma on asetettu arvoon 0°
- Lukitse sahauskulman säätönuppi (9) kiertämällä sitä myötäpäivään
- Liu'uta kone kokonaan itseesi päin
- Lukitse liukutoiminto kiertämällä nuppia myötäpäivään liukutuen (12) päälle
- Avaa koneen oikealla puolella oleva lukitustappi (5)
- Aseta kone kokonaan alaspäin
- Lukitse koneen oikealla puolella oleva lukitustappi (5)

Nosta konetta ainoastaan koneen tukevalta alapuolelta. Saha ei saa nostaa kytkinkahvasta.

5. KUNNOSSAPITO



Ennen kuin ryhdyt huoltamaan laitetta mitenkään, varmista että pistotulppa on irrotettu pistorasiasta.

Liukukiskot

Lika voi vioittaa liukukiskoja ja siten haitata koneen käyttöä.

- Puhdista liukukiskot säännöllisesti pehmeällä kankaalla.
- Tiputa kiskoille hiukan voiteluöljyä
- Liikuta jiirisaha edestakaisin, jotta öljy leviää tasaisesti kiskoille.

Laitteet on suunniteltu toimimaan pitkään aikaa mahdollisimman vähällä huollolla. Laitteen elinkaari pitenee, kun se puhdistetaan säännöllisesti ja sitä käytetään asianmukaisella tavalla.

Ongelmatilanteet

1. Moottori ei käynnisty

- Pistotulppaa ei ole yhdistetty pistorasiaan.
- Verkkojohto on vioittunut.
- Kytkimessä on vikaa. Toimita laite myyjälle korjattavaksi.

2. Sahausjälki on rosoinen

- Terä on teroitettava.
- Terä on kiinnitetty takaperin.
- Terä on tukkeutunut pihkasta tai sahanpurusta.
- Terä ei sovellu työkappaleelle.

3. Korkeuden- tai kulmansäätövipu ei liiku

- Poista lastut ja sahanpuru.

4. Moottori ei saavuta täyttä pyörimisnopeutta

- Jatkojohto on liian ohut tai liian pitkä.
- Verkkojännite on alle 230 V.

5. Laite tärisee voimakkaasti

- Terä on vahingoittunut.

6. Laite kuumenee voimakkaasti

- Ilmanvaihtoaukot ovat tukossa. Puhdista ne kuivalla liinalla.

7. Sähkömoottori käy nykien

- Hiiliharjat ovat kuluneet loppuun. Vaihda hiiliharjat tai kysy neuvoa myyjältä.

Puhdistus

Puhdista laite säännöllisesti, mieluiten joka käyttökerran jälkeen, pehmeällä liinalla. Pidä ilmanvaihtoaukot puhtaina pölystä ja liasta. Poista pinttynyt lika saippuaveteen kostutetulla pehmeällä liinalla. Älä käytä puhdistukseen bentseeniä, alkoholia, ammoniakkia tai muita liuotteita. Ne voivat vahingoittaa muoviosia.

Voitelu

Laite ei tarvitse lisävoitelua.

Viat

Jos kone vikaantuu esimerkiksi osan kulumisen johdosta, ota yhteys takuukortin huoltopisteeseen. Tämän käyttöoppaan takasivulla on hajotuskuva, jossa on lueteltu tilattavissa olevat osat.

YMPÄRISTÖ

Laite toimitetaan lujassa pakkauksessa kuljetusvaurioiden estämiseksi. Pakkaus koostuu suurelta osin kierrätettävistä materiaaleista. Laita tämän vuoksi pakkausmateriaalit mahdollisuuksien mukaan kierrätykseen.



Vioittuneet tai käytöstä poistettavat sähkölaitteet on toimitettava asianmukaiseen kierrätyspisteeseen.

Vain EC-maille

Älä hävitä sähkölaitteita kotitalousjätteen mukana. Sähkö- ja elektroniikkaromua koskevan EU-standardin 2012/19/EU ja vastaavien paikallisten lakien mukaisesti käytetyt sähkölaitteet on hävitettävä erilliskeräyksessä ympäristöystävällisesti.

TAKUU

Lue takuehdot erillisestä takuukortista.

Tuotteeseen ja käyttöoppaaseen voidaan tehdä muutoksia. Teknisiä tietoja voidaan muuttaa ilmoituksetta.

RADIÁLIS GÉRFŰRÉS MSM1039

Lpa (hangnyomásszint)	93.6+3 dB(A)
Lwa (akusztikus zajszint)	106.6+3 dB(A)

Köszönjük, hogy ezt a Ferm terméket választotta! Választásával tökéletes géphez jutott, amelyet Európa egyik vezető szállítója forgalmaz. A Ferm által szállított gépek a legszigorúbb biztonsági és teljesítmény követelményeknek is megfelelnek. Cégfilozófiánk részeként kitűnő ügyfélszolgálatot nyújtunk, mindenre kiterjedő jótállással. Bízunk abban, hogy sokáig fogja élvezni ezt a terméket.

A szövegben megadott számok a 2-3. oldalon látható ábrákra hivatkoznak.



A szerszám használata előtt alaposan tanulmányozza át a kezelési útmutatót. Ismerkedjen meg a készülék működésével és kezelésének alapjaival. A készüléket a megadott útmutatások szerint szervelje, hogy biztosítsa megfelelő működését. A kezelési útmutatót és a kísérő dokumentációt tartsa mindig a gép közelében.

Rendeltetészerű használat

Ez az elektromos szerszám faanyagok hosszanti és keresztvágására alkalmas, és helyhez kötött használatra készült. Beállítható vízszintes gérszög: -45° – +45°, függőleges ferdevágási szög: -45°.



Ez a fűrész csak fa fűrészeléséhez készült. Fán kívül más anyagokat ne vágjon vele.

1. A GÉP ISMERTETÉSE

Műszaki adatok

Hálózati feszültség	220-240V~, 50Hz
Kapacitás:	1500 W
Érintésvédelmi osztály:	II (kettős szigetelésű)
Üresjáratú fordulatszám:	4.500/perc
Fűrészkorong mérete:	210x30x2,8 mm
Gérszög:	45° (balra és jobbra)
Ferdevágási szög:	45° (csak balra)
A gérfűrész maximális vágási kapacitása:	
Gér: 0°, ferde 0°	70x305 mm
Gér: 0°, ferde 45°	35x305 mm
Gér: 45°, ferde 0°	70x210 mm
Gér: 45°, ferde 45°	35x210 mm
Súly:	12 kg

Vibrációs szint

A kezelési kézikönyvben megadott vibráció kibocsátási szintet az EN62841-1 szabványban előírt egységesített testvizsgálattal mértük. Így az egyes szerszámoknál mért vibráció kibocsátási értékek egymással összehasonlíthatók, és felhasználhatók a vibrációnak való kitétség mértékének előzetes becsléséhez, amikor a szerszámot az itt említett munkafeladatokra használják.

- ha más munkafeladatokra vagy gyengén karbantartott tartozékokkal használják, a vibrációnak való kitétség mértéke jelentősen nagyobb is lehet
- ha beleszámítjuk azokat az időtartamokat is, amikor a szerszám ki van kapcsolva, vagy be van kapcsolva, de nem végeznek vele munkát, a vibrációnak való kitétség mértéke jelentősen kisebb lehet

A szerszám és tartozékainak karbantartásával, kezének melegen tartásával és munkaritmusának megszervezésével védekezzen a vibráció káros hatása ellen.

Jellemzők

Ábrák: 1, 2, 3, 4 és 5

1. Ki-/bekapcsoló
2. Lézer ki-/bekapcsoló
3. Rögzítő gomb
4. Burkolati szénkefe
5. Zárócsapszeg
6. Körfűrészlap védőburkolata
7. Munkadarab-befogó
8. Zezetőlap
9. Fűrészelési szög beállító tárcsája
10. Rögzítőtárcsa
11. Rögzítőpedál
12. Tárcsa feletti csúszótámaszték
13. Porzsákcsatlakozó
14. Eltérési szög
16. Védőburkolat
17. Körfűrészlap csavarja
18. Karima
19. Csavar
20. Csavaros visszahúzó kar
21. Toldalékok (bal és jobb oldali)
22. Körfűrészlap rögzítógombja
23. Szögjelző

2. BIZTONSÁGI UTASÍTÁSOK

A szerszámgépek használata során mindig be kell tartani a biztonsági óvintézkedéseket a tűzveszély elkerülése érdekében. Elektromos áramütés és személyi sérülés veszélye.

A szerszámgép üzemeltetése előtt mindenképpen olvassa el a termékhez mellékelt specifikus biztonsági utasításokat és a jelen dokumentumban foglalt biztonsági utasításokat is.

Fix helyű gép telepítése

6. ábra

Jelen gép egy fix helyű gép, így azt biztonsági okokból kizárólag fix telepítés mellett szabad használni, hordozható gépként nem. A gép kétféleképpen telepíthető:

- A gép használata fix helyű gépként, munkapadon. Ilyen esetben a gépet 4 csavarral kell rögzíteni a munkapadhoz
- A gép használata fix helyű gépként, kiegészítő kereten. Ilyen esetben a gépet 4 csavarral kell rögzíteni a kiegészítő kerethez, a kiegészítő keretet pedig 4 horgonycsavarral kell rögzíteni a legalább 1 négyzetméter alapterületű padlólemezhez

Szimbólumok

Az alábbi szimbólumok fontosak a szerszámgép üzemeltetése szempontjából. A szimbólumok megfelelő értelmezésével a szerszámgép biztonságosabban használható



Súlyos vagy halálos kimenetelű személyi sérülés, illetve anyagi kár veszélyét jelöli a jelen kézikönyvben foglalt utasítások be nem tartása esetén



Vigyázat! Elektromos áramütés veszélye



A gép körül álló személyeket megfelelő távolságban kell tartani



Viseljen szemvédő felszerelést



Viseljen fülvédő felszerelést. A magas zajszint halláskárosodást okozhat.



Viseljen pormaszkot



Veszély terület! A kezeket tartsa a vágási területtől biztonságos (legalább 10 cm) távolságban a gép működése közben. A körfűrészlap megérintése súlyos személyi sérülést eredményezhet



A lézersugarat tilos közvetlenül emberekre vagy állatokra irányítani, illetve tilos abba belenézni (még távolról is). Jelen szerszámgép az EN 60825-1 szabvány szerinti 2. osztályú lézersugárzással rendelkezik. Ez a lézersugár képes az embereket megvakítani



*Lemez méretek Figyeljen a körfűrészlap méreteire. A furatátmérőnek pontosan illeszkednie kell a szerszámorsóhoz (holtjáték nem engedélyezett). *Kizárólag a beszállító által meghatározott zárógyűrűt használjon (holtjáték nem megengedett)*



A gépet kizárólag befelé fordított (szállítási) pozícióban szállítsa

1. A munkaterület biztonsága

- Gondoskodjon a munkaterület tisztaságáról és megfelelő megvilágításáról. A rendezetlen és sötét területeken valószínűbb a balesetek előfordulása
- Ne használjon szerszámgépeket robbanásveszélyes környezetben (pl. gyúlékony folyadékok, gázok és por jelenlétében). A szerszámgépek használata során keletkező szikra lángra lobbanthatja a port és füstöt
- A szerszámgép használata során a gyermekeket és a közelben tartózkodó személyeket tartsa biztonságos távolságban a munkaterülettől. Ha a figyelmét elvonja valami vagy valaki, akkor elveszítheti a gép feletti irányítást, illetve a munkaanyag kirepülhet a helyéről.
- A gépet tilos felügyelet nélkül hagyni anélkül, hogy azt előtte leválasztaná a hálózati tápforrásról.

2. Személyi biztonság

- Ha Ön nem ismeri pontosan a gép használatára vonatkozó előírásokat. Kérjen felvilágosítást egy szakembertől, trénerrel vagy műszerestől.
- Az üresen járó szerszámgépeket mindig

tartsa távol gyermekektől. A szerszámgépek rendkívül veszélyesek lehetnek szakképzetlen felhasználók kezeiben.

- c) Ügyeljen a szerszámgépek szárazon és tisztán (olaj- és zsírinteszen) tartására. A megfelelően karbantartott szerszámgépek biztonságosabbak és könnyebben használhatók. A zsíros markolat csúszóssá válhat, ami a gép feletti irányítás elvesztését eredményezheti.
- d) Ügyeljen a munkakörnyezet rendezett állapotára és tisztaságára. Ellenkező esetben megbotolhat vagy elcsúszhat.
- e) A szerszámgép használata során maradjon éber, koncentráljon az éppen végzett műveletre és használja a józan ítélőképességét.
- f) Ne próbáljon túlnyújtóztatni vagy kitekeredett testhelyzetben dolgozni. Mindig két lábbal, egyensúlyban álljon a talajon. Így könnyebben tudja irányítani a szerszámgépet a váratlan helyzetekben.
- g) Alkohol, gyógyszer vagy kábítószer hatása alatt soha ne üzemeltesse a gépet. Ha a szerszámgépek üzemeltetése közben lankad a koncentrációja, akkor rendkívül súlyos sérüléseket okozhat és szenvedhet.
- h) Mindig használjon védőfelszerelést. Mindig viseljen védőszemüveget, pormaszkot, fülvédőt, biztonsági lábbelit és – a gép szervizelése és nyersanyagok kezelése során – védőkesztyűt. Ha hosszú haját visel, akkor azt tartsa távol a géptől. Mérsékelje a személyi sérülés veszélyét.
- i) Legyen óvatos dupla sarokillesztések fűrészeléskor. A fűrészelés közben a körfűrészlapnak, az Ön kezeinek és a munkadarabnak mindig láthatónak kell lennie.
- j) Soha ne próbáljon egyszerre egynél több munkadarabot elfűrészelni.
- k) Győződjön meg róla, hogy a fűrészelni kívánt munkadarabban nem található szeggek és idegen tárgyak.
- l) A gép nem alkalmas fémanyagok és kövek megmunkálására.
- m) Ne dolgozzon azbesztoszt tartalmazó anyagokon.

3. A szerszámgép biztonságos használata

A gép első és minden ezt követő használatakor:



A gépen végzett bármely munkavégzés előtt az elektromos csatlakozódugót húzza ki az elektromos aljzathból.

Általános: Ellenőrizze a fűrészgép egészét. Ha a gép valamely része hiányzik, meghajolt, sérült vagy bármely más módon nem megfelelően működik, vagy az mechanikailag és/vagy elektromosan hibás vagy azon ilyen hiba látható, tapasztalható, ill. ha a gép extrém hangos, akkor használja referenciáiként a felhasználói kézikönyvet.

A gépen detektált bármely hibát a gép használata előtt meg kell szüntetni. A javításhoz kizárólag eredeti cserealkatrészt szabad csak használni! Ha saját vagy a gép biztonságával kapcsolatba kérdése, kételye merülne fel, akkor kérjük, konzultáljon a gép beszállítójával.

Elektromosság

- a) Mindig a fali aljzathoz illeszkedő, eredeti tápcsatlakozó dugót használjon. Földelt szerszámgépekhez ne használjon adapteres dugót. Az eredeti (értsd: módosítás nélküli) dugók és megfelelő hálózati aljzatok használatával mérsékelhető az elektromos áramütés veszélye.
- b) Soha ne használja a gépet, ha annak tápkábele megrongálódott. Munkavégzés közben ne érintse meg a megrongálódott kábelt, illetve ne próbálja meg kihúzni a dugót a hálózati aljzathoz a megrongálódott kábelnél fogva. A megrongálódott kábelek növelik az elektromos áramütés veszélyét.
- c) Ellenőrizze rendszeresen a kábel állapotát, és szükség szerint javíttassa meg a kábelt (ha megrongálódott). Kábelek és dugók cseréje. Az kábelekkel és dugókkal lecserélt régi kábeleket és dugókat azonnal selejtezze ki. Veszélyes lehet egy meglazult kábel dugóját a fali aljzathoz csatlakoztatni. Kizárólag eredeti tápkábelt és dugókat használjon. A megrongálódott kábelt és dugót csak hivatalos szakemberrel javíttassa meg a szerszámgép biztonságos használata érdekében!
- d) Elektromos áramütés veszélyének kiiktatása A

- dugó hálózati aljzathoz történő csatlakoztatása során a fém peckeket szigorúan tilos megérinteni.
- e) Óvja a szerszámgépeket az esőtől és nedves környezettől. A szerszámgépbe kerülő víz növeli az elektromos áramütés veszélyét.
 - f) Soha ne próbálja a dugót a kábelnél fogva kihúzni az aljzathból. A kábelt és a dugót tartsa távol az olajos és forró környezetektől, valamint az éles és hegyes tárgyaktól.
 - g) A szerszámgép kültéri használata esetén kültéri használatra alkalmas hosszabbító kábelt használjon. A kültéri használatra tervezett kábel használatával mérsékelhető az elektromos áramütés veszélye.
 - h) Lézerrerrel felszerelt gépek esetén A lézersugarat tilos közvetlenül emberekre vagy állatokra irányítani, illetve tilos abba belenézni. A lézersugárba még távolról sem szabad belenézni. A lézersugárnak meg kell felelnie az EN 60825-1 szabvány szerinti 2. osztály előírásainak.
 - i) A lézer javítását kizárólag a lézereszköz gyártója vagy egy erre szakosodott szakember végezheti el.
 - j) Ha a szerszámgépet mindenképpen nedves környezetben kell használni, akkor használjon áramvédő kapcsolóval ellátott tápforrást. Az áramvédő kapcsolóval ellátott tápforrás használatával mérsékelhető az elektromos áramütés veszélye.

Mechanikai biztonság

- a) Hagyja a gépet szabadon forogni a kívánt gépszám eléréséig a gép beindítása előtt. Ellenőrizze minden pozícióból a körfűrészlap akadálymentes forgását. Ha a körfűrészlap bármivel érintkezik, akkor a gépet be kell szabályozni vagy meg kell javíttatni.
- b) Ne használja a szerszámgépet, ha az nem kapcsolható be/ki a ki-/bekapcsoló gombbal. A kapcsolóval nem irányítható szerszámgép veszélyes lehet, ezért az meg kell javíttatni.
- c) Mindig megfelelő méretű és formájú körfűrészlapokat használjon. Csak a gyártó által ajánlott körfűrészlapokat használja (EN-847-1). A fűrészgép szerelőlapjához nem pontosan illeszkedő körfűrészlapok excentrikus sérüléseket szenvedhetnek, ami a gép feletti irányítás elvesztését vonhatja maga után
- d) Soha ne használjon túl kicsi vagy túl nagy méretű körfűrészlapokat. Ellenkező esetben fennáll a sérülés veszélye.
- e) Soha ne távolítsa el a körfűrészlapon található jelöléseket. A műszaki adatoknak mindig láthatónak kell lenniük, hogy a körfűrészlapok cseréje során gondoskodhasson a megfelelő cserealkatrészekről.
- f) A munkadarab rögzítése A fokozott biztonság érdekében a munkadarabokat soha ne kézzel, hanem satuval rögzítse.
- g) Soha ne hagyja felügyelet nélkül a gépet, amíg az teljesen meg nem áll.
- h) Ne használjon nagysebességű acél (HSS) körfűrészlapokat. Ellenkező esetben a körfűrészlap könnyedén eltörhet.
- i) Soha ne használjon tompa, eltört, megrepedt vagy meghajlott körfűrészlapokat. A használat előtt húzza ki a tápkábel dugóját és ellenőrizze körfűrészlapot. A megrongálódott vagy eltompult körfűrészlapok használata sekély bemetszést, túlzott súrlódást, visszarúgást és a körfűrészlap meghajlását eredményezheti. Azonnal cserélje ki a megrongálódott körfűrészlapokat, és használja az eredeti karimákat, csavarokat és csavaranyákat.
- j) A szerszámgép bekapcsolása előtt távolítsa el a csavarkulcsokat vagy beállító kulcsokat. A szerszámgép forgó alkatrészein felejtett csavarkulcs vagy beállító kulcs személyi sérülést okozhat és rendkívül veszélyes helyzetet teremthet.
- k) A körfűrészlapon látható nyíl a forgásirányt jelzi. A nyílnak a gépen található nyílal megegyező irányba kell mutatnia; a körfűrészlap fogainak lefelé, a fűrészgép homlokzata felé kell mutatnia.
- l) A munkavégzés után hagyja kihűlni a körfűrészlapot, mielőtt megérintené azt. A körfűrészlap erősen felforrósodik munkavégzés közben.
- m) A körfűrészlapot óvja a mechanikus ütésektől és rázkódásoktól. A körfűrészlapra soha ne fejtse ki oldalirányú erőt.
- n) A szerszámgépet tilos túlzott erőfelfejtással használni. Az alkalmazási célnak megfelelő szerszámgépet használjon. A megfelelő szerszámgép biztonságosabban és hatékonyabban végzi a munkát azon a fordulatszámra, amire azt tervezték.
- o) Soha ne álljon rá a szerszámgépre. A szerszámgép felborulása esetén súlyos személyi sérülés történhet. A gép további

stabilizálása érdekében használjon kiegészítő támasztékokot.

- p) A gép mellé porelszívó eszközök is járnak. Ügyeljen ezek megfelelő csatlakoztatására és használatára. A porgyűjtéssel mérsékelhető a porral kapcsolatos veszélyek.
- q) Hagyja szabadon a gép légbeömlő nyílásait. Az esetlegesen lerakódott port el kell távolítani.
- r) Ellenőrizze a védőelem akadálymentes mozgását és helyes működőképességét. Ha a védőelemet felnyitja, azt soha ne rögzítse nyitott pozícióban.
- s) Soha ne próbálja meg a gép működése közben eltávolítani a felgyülemllett fűrésztrömelékeket. Először állítsa vissza a szerszám karját az alaphelyzetbe, és csak ezt követően kapcsolja ki a gépet.
- t) A körfűrészlapot csak a gép bekapcsolt állapotában eressze rá a munkadarabra. Ellenkező esetben a körfűrészlap elakadhat a munkadarabban, és a gép visszarághat.
- u) A körfűrészlap elakadása esetén. Kapcsolja ki a gépet és fogja le a munkadarabot, amíg a körfűrészlap teljesen meg nem áll.
- v) Visszarúgás megelőzése A munkadarabot tilos megmozdítani, amíg a gép teljesen meg nem állt. A gép újraindítása előtt szüntesse meg a körfűrészlap elakadásának okát.
- w) Profilos szelvények, kerek munkadarabok és egyéb munkadarabok fűrészélése során mindig tolja neki a munkadarabot az ütközőnek, hogy a munkadarab ne tudjon eldőlni vagy elfordulni a munkavégzés közben.
- x) Soha ne fűrészeljen olyan munkadarabokat a géppel, amelyek túl kis méretűek a biztonságos rögzítéshez. A forgó körfűrészlappal érintkező apró fadarabok és egyéb objektumok lerepülhetnek és nagy sebességgel eltalálhatják a gépkézeltőt vagy a közelben álló személyeket.
- y) Minden fűrészeli munkához használjon kiegészítő támasztékokat.
- z) Megtámasztás nélküli, nagyméretű munkadarabok fűrészélése esetén: használjon extra támasztékokat.
- aa) Mindig ügyeljen a gépen található figyelmeztető jelzések megfelelő olvashatóságára. A gépen található műszaki információknak és gépadatoknak minden körülmények között láthatónak kell lenniük.

A fűrészelési művelet végén a fűrészgép fejét hagyja leeresztett állapotban, kapcsolja ki a gépet, majd várja meg, amíg az összes mozgó alkatrész teljesen megáll, mielőtt a kezeit leveszi a gépről.

3. ÖSSZESZERELÉS ÉS TARTOZÉKOK

A gérvágó fűrész telepítése

- A két oldallap (21) közül az egyiket helyezze a gép jobb oldalára, a másikat pedig a gép bal oldalára.
- Helyezze a munkadarab-befogót (7) a gép bal vagy jobb oldalára.
- Fogja meg a markolatot, és mozgassa a fűrésztrösszel lefelé, majd húzza ki a csapszeget (5) annyira, hogy a fűrész felfelé mozduljon.

Megjegyzés: A gérvágó fűrésztilos a mellékelt toldalékok nélkül használni. Ügyeljen a toldalékok megfelelő rögzítésére.

Csúsztható védőlap

2. ábra

Jelen gépet biztonsági okokból csúsztható védőlappal szerelték fel, amely normál és gérvágás során is használható.

- Normál (egyenes) keresztvágás és gérvágás során a csúsztható védőlapot (8) mindig állítsa a fűrészgép végéhez és rögzítse megfelelően a munkadarab biztonságos megtámasztása érdekében.
- Eltörésszerű vágás esetén a csúsztható védőlapot (8) a körfűrészlaphoz lehető legközelebbi megfelelő pozícióba, és közben ügyeljen a körfűrészlap akadálymentes mozgására és a stabil rögzítésre.

A körfűrészlapok cseréje

4. és 5. ábra



Kizárólag éles és ép (sértetlen) körfűrészlapokat használjon. A sorjás vagy meghajlott körfűrészlapokat azonnal ki kell cserélni.

VESZÉLY: Soha ne használjon a fűrészhez meghatározottnál nagyobb kapacitású körfűrészlapot. A körfűrészlap a védőburkolattal történő érintkezés esetén megrongálhatja a gépet.

Ne használjon túl vastag körfűrészlapot, ellenkező esetben a külső körfűrészlap-alátét nem tud akadálymentesen összekapcsolódni az orsón található felülettel. Ilyen esetben a körfűrészlap csavarja nem tudja biztonságosan rögzíteni a körfűrészlapot az orsón.

Ez a fűrészgép nem alkalmas fémanyagok és folszerkezetek vágására.

- Válassza le a gépet az elektromos táphálózatról.
- Távolítsa el a visszahúzó kart a körfűrészlap védőburkolatához rögzítő csavart (20).
- Távolítsa el a csavart (19) a csavaros fedél eltávolításához, majd emelje meg felfelé a körfűrészlap védőburkolatát (6).
- A körfűrészlap csavarjának (17) és karimájának (18) egyaránt láthatónak kell lennie (lásd az 5. ábrát).
- Nyomja meg a körfűrészlap-rögzítő gombot (22). Forgassa el óvatosan kézzel a körfűrészlapot, amíg az a helyére nem kattann.
- A körfűrészlapot rögzítő csavar (17) eltávolításához használjon imbuszkulcsot (a csavart az óramutató járásával megegyező irányban lehet megmozdítani).
- Távolítsa el a karimát (18) és a körfűrészlapot
- Helyezze vissza a körfűrészlapot, és ügyeljen rá, hogy a körfűrészlapon található nyíl azonos irányba mutasson a gépen található nyíllal. A körfűrészlap fogainak lefelé kell nézniük.
- Húzza meg a körfűrészlap csavarját (17) a körfűrészlap-rögzítő gombbal (22) a feszes és biztonságos rögzítéshez
- Eressze le a körfűrészlap védőburkolatát (6), hogy a csavaros fedél visszaessen a helyére, majd húzza meg a csavart (19)
- Helyezze vissza a visszahúzó kart a körfűrészlap védőburkolatára (6), majd húzza meg a csavart (20)
- Forgassa meg a körfűrészlapot, és ellenőrizze a védőelem akadálymentes működését

A fűrészelési szög beállítása

1-2. ábra

A gérvágási szög beállítása

A gép bal és jobb oldali irányban is 45-45°-ban állítható.

- Lazítsa meg a rögzítógombot (10)
- Nyomja meg a rögzítőpedált (11), és forgassa el balra vagy jobbra a fűrészlapot a rögzítógomb (10) segítségével a kívánt szög eléréséig (amit a szögjelző (23) mutat).

- Engedje el a rögzítőpedált (11), majd húzza meg a rögzítógombot (10)

Előzetes beállítások (gyorsbeállítások) az alábbi szögértékekre: -45°, -30°, -22,5°, -15°, 0°, 15°, 22,5°, 30°, 45°.

- A talplemez forgatása közben nyomja meg a rögzítőpedált (11). Engedje fel a pedált a kívánt szög elérése előtt, hogy a lemez automatikusan a helyére (az előre meghatározott szögbe) kattanjon.

Az élettörési szög beállítása

1. és 3. ábra

Az élettörési szög 0° és 45° között állítható.

- Lazítsa meg a beállítógombot (9)
- Billentse meg a fűrészlapot a markolat segítségével a kívánt szög eléréséig (amit a szögjelző (14) mutat).
- Húzza meg a beállítógombot (9)

A szénkefék cseréje

2. ábra

- Válassza le a gépet az elektromos táphálózatról
- Csavarozza le a védőburkolato (4).
- Cserélje ki a szénkefeket típusazonos darabokkal
- Csavarozza vissza a védőburkolato (4).

Megjegyzés: Ha a szénkefeket kicseréli, mindkét darabot cserélje ki (soha ne használjon régi és új szénkefét együtt).

A porzsák felszerelése

1. ábra

Nyomja meg a porzsákon (13) található kapcsolót, és csúsztassa rá a gép hátulján található nyílásra. A porzsák a kapocs elengedésekor a helyén marad.

4. A GÉP KEZELÉSE

A gérfűrész használata

1. ábra



Használat előtt mindig ellenőrizze, nincs-e hiba a gépen.

- Állítsa be a gépen a kívánt vágási szöveget.
- Dugaszolja a gépet a konnektorra.
- Rögzítse a munkadarabot a leszorítókkal (7): győződjön meg arról, hogy az anyag

- biztonságosan rögzítve van a helyén!
- Tartsa az anyagot szorosan a bal oldalon, közben pedig bizonyosodjon meg arról, hogy Ön biztonságos távolságra van a fűrészkorongtól.
- A készülék bekapcsolásához tartsa lenyomva a rögzítő gombot (3), és ezzel egy időben nyomja meg a be/ki kapcsolót (1).
- Várjon, amíg a fűrészkorong felveszi a teljes fordulatszámot, és csak azután érintse hozzá a munkadarabot.
- Ezután lassan mozgassa a fűrész lefelé, hogy a korong átfűrészlje a munkadarabot, és átmenjen az asztal részén. Ne gyakoroljon nyomást a fűrészre. Adjon időt a gépnek arra, hogy az átvágja a munkadarabot.
- Mozdassa a gépet finoman felfelé, és a kapcsolót (1) elengedésével kapcsolja ki.

A csúsztatási funkció használata

1. ábra



A gépet biztonságosan rá kell csavarozni a munkadaradra.

A csúsztatás funkció széles munkadarabokhoz használható:

- Rögzítse a munkadarabot a befogóval
- Lazítsa meg a tárcsát (12)
- Csúsztassa teljesen saját maga felé a gépet
- Kapcsolja be a gépet annak kapcsolójával
- Eressze rá lassan a fűrész a munkadarabra, hogy a körfűrészlapok átvágják a munkadarabot
- Tolja lassan hátrafelé a gépet
- Emelje fel óvatosan a gépet, majd a kapcsoló elengedésével kapcsolja ki a gépet

Működő lézersugár

2. Ábra

- A lézer bekapcsolásához csúsztassa a lézerkapcsolót (2) az ON (BE) állásba.
- A lézer kikapcsolásához csúsztassa a lézerkapcsolót (2) az OFF (KI) állásba.

Szállítási helyzet

Ügyeljen arra, hogy szállításkor a fűrész befelé fordított helyzetben legyen. Ellenőrizze, biztonságosan rögzítve van-e minden retesz és feszítőeszköz:

- A gérszög 0°-ra legyen állítva.

- A ferdeszög is 0°-ra legyen állítva.
- A szögbeállító gombot (9) az óramutató járásának irányában forgatva reteszelve.
- Csúsztassa a gépet teljesen önmaga felé.
- A csúszás funkciót a csúszótámaszték gombjának (12) óramutató járásának irányában történő forgatásával reteszelve.
- Oldja ki a gép jobb oldalán található zárópecket (5).
- Nyomja a gépet teljesen lefelé.
- Zárja a gép jobb oldalán található zárópecket (5).

A gépet csak a tömör aljánál és tartva emelje. Ne emelje a kapcsolófogantyújánál tartva.

5. GONDOZÁS ÉS KARBANTARTÁS



Mielőtt a gép szerkezetének karbantartásához kezd, bizonyosodjon meg arról, hogy a dugasz ki van húzva a konnektorból.

Állítható sínek

A szennyeződés árthat az állítható síneknek, és ezáltal a gép működését is befolyásolja.

- Puha ronggyal rendszeresen tisztítsa az állítható síneket.
- Cseppentsen valamennyi kenőolajat az állítható sínekre
- Mozdassa a gérfűrész előre-hátra, hogy az olaj a sínek teljes hosszában szétterjedjen

Ezeket a gépeket úgy terveztük, hogy minimális karbantartás mellett is hosszú ideig problémamentesen használhatók legyenek. A rendszeres tisztítással és helyes használattal hozzásegíti a gépet ahhoz, hogy az hosszú élettartamú legyen.

A gép tisztítása

Rendszeresen, lehetőleg minden egyes használat után törölje át a gép burkolatát puha ronggyal. Ügyeljen arra, hogy a szellőzőnyílások portól és szennyeződéstől mentesek legyenek. A makacs szennyeződést szappanos vízben megnedvesített puha ronggyal távolítsa el. Soha ne tisztítsa oldószerrel, (például benzin, alkohol, ammónia oldat stb.). Ezek a vegyszerek árthatnak a műanyag alkatrészeknek.

Problémamegoldás

1. A motor nem indul

- A dugasz nincs a konnektorra dugaszolva
- Szakadt a tápkábel
- Hibás a kapcsoló. Juttassa el a gépet forgalmazójához javításra.

2. A vágat nem egyenes (csipkézett)

- Meg kell élezni a fűrészkorongot
- A fűrészkorong fordítva van felszerelve
- A fűrészkorong gyantától vagy fűrészportól eltömődött
- A fűrészkorong nem alkalmas az adott anyag vágásához

3. A magasságállító és/vagy a gérfűrész kar elakadt

- El kell takarítani az anyagrezecskéket és/vagy a fűrészport

4. A motor nem veszi fel a teljes fordulatszámot

- A hosszabbító kábel túl vékony és/vagy túl hosszú
- A hálózati feszültség nem éri el a 230 V-ot.

5. A gép túl nagy vibrációt kelt

- A fűrészkorong sérült

6. A gép túlmelegszik

- Eltömődtek a szellőzőnyílások. Száraz ronggyal tisztítsa meg őket.

7. A villanymotor egyenetlenül jár

- Lekoptak a szénkefék. Cserélje ki a szénkeféket, vagy kérjen tanácsot forgalmazójától.

Kenés

A gép nem igényel külön kenést.

Hibák

Meghibásodás esetén (pl. ha elkopik egy alkatrész), lépjen kapcsolatba a szervizzel, amelynek címét a garanciakártyán találja. Kézikönyvünk végén találja a megrendelhető alkatrészek robbantott ábráit.

KÖRNYEZETVÉDELEM

A szállítás közbeni sérülések megelőzése céljából a gépet alaposan becsomagoltuk. A csomagolás újrahasznosítható anyagokból áll, ezért kérjük, tegye lehetővé a csomagolóanyagok újrahasznosítását. Ha a gépet új gépre cseréli, juttassa vissza a régi gépet forgalmazójához. Ott környezetbarát módon fogják kezelni.



A sérült és/vagy kiselejtezett elektromos vagy elektronikus szerszámokat el kell juttatni egy erre a célra kijelölt hulladékhasznosító telepre.

Csak az Európai Közösség országaiban

Az elektromos eszközöket ne dobja a háztartási hulladékok közé. Az 2012/19/EU Európai Irányelv - Elektromos és elektronikus berendezések hulladékai - és ennek nemzeti szabályozása alapján, azokat az elektromos eszközöket, melyek többé már nem használhatóak, külön kell összegyűjteni, és környezetbarát módon kell megszabadulni tőlük.

GARANCIA

A garanciális feltételek megtalálhatók a külön mellékelte garanciakártyán.

A termékben és a felhasználói kézikönyvben a későbbiekben előfordulhatnak módosítások. A műszaki adatok előzetes értesítés nélkül is módosíthatók.

RADIÁLNÍ POKOSOVÁ PILA MSM1039

Děkujeme vám za zakoupení tohoto výrobku značky Ferm. Nyní máte k dispozici vynikající výrobek dodávaný jedním z hlavních evropských dodavatelů. Všechny výrobky dodávané společností Ferm jsou vyráběny podle požadavků nejnáročnějších norem týkajících se výkonu a bezpečnosti. Jako součást naší firemní filozofie poskytujeme také vynikající zákaznický servis, který je podporován naší komplexní zárukou. Doufáme, že vám náš výrobek bude řádně sloužit mnoho let.

Čísla v následujícím textu odkazují na obrázky na stranách 2 až 3.



Před použitím tohoto zařízení si pečlivě přečtěte tento návod k obsluze. Seznamte se z jeho funkcemi a základní obsluhou. Provádějte údržbu tohoto zařízení podle uvedených pokynů, aby byla stále zajištěna jeho správná funkce. Tento návod k obsluze a příložená dokumentace musí být stále uloženy v blízkosti tohoto zařízení.

Určené použití

Toto stacionární elektrické nářadí je určeno pro provádění přímých podélných a příčných řezů dřeva. Toto nářadí může provádět horizontální pokosové řezy v úhlech od -45° do +45°, stejně jako vertikální šikmé řezy v úhlu -45°.



Tato pila je určena pouze pro řezání dřeva. Nepoužívejte tuto pilu pro řezání jiných materiálů než je dřevo.

1. INFORMACE O STROJI

Technické údaje

Napájecí napětí	220-240V~, 50Hz
Výkon	1500 W
Třída stroje	II (dvojitá izolace)
Otáčky naprázdno	4.500/min
Rozměry pilového kotouče	210 x 30 x 2,8 mm
Úhel pro pokosové řezy	45° (vlevo a vpravo)
Úhel pro šikmé řezy	45° (pouze vlevo)
Maximální kapacita řezu pro pokosové řezy:	
Pokosový řez 0°, šikmý řez 0°	70 x 305 mm

Pokosový řez 0°, šikmý řez 45°	35 x 305 mm
Pokosový řez 45°, šikmý řez 0°	70 x 210 mm
Pokosový řez 45°, šikmý řez 45°	35 x 210 mm
Hmotnost	12 kg
Lpa (akustický tlak)	93.6+3 dB(A)
Lwa (akustický výkon)	106.6+3 dB(A)

Vibrace

Deklarovaná úroveň vibrací uvedená v tomto návodu byla měřena v souladu se standardní zkušební metodou předepsanou normou EN62841-1. Tato úroveň vibrací může být použita pro srovnání jednotlivých nářadí mezi sebou a také při předběžném posouzení působících vibrací při používání nářadí při uvedených aplikacích.

- Použití tohoto nářadí pro jiné aplikace nebo s odlišným nebo špatně udržovaným příslušenstvím může značně zvýšit působení vibrací.
- Doba, kdy je nářadí vypnuto nebo kdy je v chodu, ale aktuálně nevykonává žádnou práci, může působení vibrací značně zkrátit.

Chraňte se před působením vibrací prováděním řádné údržby tohoto nářadí i jeho příslušenství, udržujte ruce v teple a provádějte práci správným způsobem.

Popis

Obr. 1, 2, 3, 4 a 5

1. Spínač zapnuto/vypnuto
2. Spínač zapnuto/vypnuto pro laser
3. Pojistný knoflík
4. Kryt uhlíku
5. Zajišťovací kolík
6. Ochranný kryt pilového kotouče
7. Přichytka obrobku
8. Vodítko
9. Seřizovací šroub pro nastavení úhlu pily
10. Upínací šroub
11. Upínací páčka
12. Upínací šroub posuvné podpěry
13. Připojení vaku na prach
14. Úhломěr pro šikmé řezy
16. Kryt
17. Šroub pilového kotouče
18. Příruba
19. Šroub
20. Šroub zasunovacího ramena
21. Prodlužovací kusy (levý a pravý)
22. Zajišťovací tlačítko pilového kotouče
23. Ukazatel úhlu

2. BEZPEČNOSTNÍ POKYNY

Při práci s tímto elektrickým nářadím musí být vždy dodržovány základní bezpečnostní předpisy, aby bylo omezeno riziko způsobení požáru. Úraz elektrickým proudem a jiná zranění.

Před zahájením práce s elektrickým nářadím si vždy pečlivě přečtete návod k obsluze příslušného výrobku a tyto pokyny uložte pro pozdější odkazy.

Instalace stacionárního stroje.

Obr. 6

Tento stroj je stacionárním strojem a z bezpečnostních důvodů musí být vždy řádně upevněn a nesmí být používán pro mobilní aplikace. Stroj můžete namontovat dvěma způsoby:

- Jako stacionární stroj na pracovním stole. V takovém případě musí být tento stroj upevněn pomocí 4 šroubů
- Jako stacionární stroj na pomocném rámu. V takovém případě musí být stroj upevněn k pomocnému rámu pomocí 4 šroubů a pomocný rám musí být pomocí 4 šroubů ukotven k podlaze nebo k podlahové desce, jejíž plocha je minimálně 1 metr čtvereční

Symbody

Následující symboly jsou důležité z hlediska obsluhy vašeho elektrického nářadí. Správná interpretace těchto symbolů vám pomáhá provádět bezpečnější obsluhu tohoto elektrického nářadí



Upozorňuje na riziko způsobení zranění, riziko ztráty života nebo poškození tohoto nářadí v případě nedodržení pokynů uvedených v tomto návodu



Pozor, riziko úrazu elektrickým proudem



Udržujte ostatní osoby v bezpečné vzdálenosti



Používejte ochranu zraku



Používejte ochranu sluchu. Působení hluku může způsobit ztrátu sluchu.



Používejte masku proti prachu



Nebezpečný prostor! Udržujte ruce v bezpečné vzdálenosti (10 cm) od prostoru řezu, je-li stroj v chodu. Nebezpečí zranění, dojde-li ke kontaktu s pilovým kotoučem



Nemiřte paprsek laseru na osoby nebo zvířata a nedívejte se do laserového paprsku, a to i z velké vzdálenosti. Laser třídy 2 na tomto elektrickém nářadí vytváří laserové záření dle normy EN 60825-1. Toto záření může způsobit oslepnutí osob



*Rozměry kotouče. Dodržujte pokyny týkající se rozměrů pilového kotouče. Průměr otvoru na pilovém kotouči musí odpovídat průměru vřetena na nářadí bez jakékoli vůle. *Používejte upínací kroužek pouze v případě, je-li to vyžadováno dodavatelem, tento kroužek nesmí mít žádnou vůli*



Provádějte přepravu tohoto stroje pouze v případě, je-li složen do přepravní polohy

1. Bezpečnost pracovního prostoru

- Udržujte čistotu na pracovišti a zajistěte jeho řádné osvětlení. Neuklizená a tmavá místa přivolávají nehody
- Nepoužívejte elektrická nářadí ve výbušných prostředích, jako jsou místa, kde se vyskytují hořlavé kapaliny, plyny nebo prašné látky. V elektrickém nářadí dochází k jiskření, které může způsobit vznícení tohoto prachu nebo výparů
- Při práci s tímto elektrickým nářadím udržujte děti a okolo stojící osoby v bezpečné vzdálenosti. Rozptylování může způsobit ztrátu kontroly nebo špatný řez obrobku
- Nikdy nenechávejte tento stroj bez dozoru, aniž byste jej nejdříve odpojili od napájecího napětí

2. Bezpečnost osob

- Nejste-li seznámeni s použitím tohoto stroje. Měli byste být nejdříve s jeho obsluhou seznámeni profesionálem, instruktorem nebo technikem
- Ukládejte nepoužívané elektrické nářadí

mimo dosah dětí. Elektrické nářadí je v rukách neproškolených osob nebezpečné

- c) Dbejte na to, aby bylo elektrické nářadí suché a čisté. Zabraňte jeho znečištění olejem nebo mazivem. Elektrické nářadí, u kterého je prováděna řádná údržba, je bezpečnější a snáze se ovládá. Rukojeti znečištěné mazivem nebo olejem jsou kluzké, což způsobuje ztrátu kontroly nad tímto nářadím
- d) Ujistěte se, zda máte k dispozici čisté a uklizené pracovní prostředí. Mohlo by dojít k vašemu uklouznutí nebo pádu
- e) Při práci s tímto nářadím buďte stále pozorní, sledujte, co provádíte a používejte zdravý rozum
- f) Nepřeceňujte své síly. Vždy udržujte správný postoj a rovnováhu. Tak bude umožněna lepší ovladatelnost tohoto nářadí v neočekávaných situacích
- g) Nepracujte s tímto strojem, jste-li pod vlivem alkoholu, drog nebo léků. Nepozornost při obsluze tohoto elektrického nářadí může vést k velmi nebezpečným zraněním
- h) Vždy používejte ochranná zařízení. Vždy používejte ochranu zraku, masku proti prachu, ochranu sluchu, bezpečnostní obuv. Při provádění údržby nebo oprav nebo při manipulaci s hrubým materiálem používejte rukavice. Máte-li dlouhé vlasy, používejte vhodnou pokrývku hlavy. Omezte možnost zranění
- i) Buďte opatrní při řezání dvojitých pokosových spojů. Pilový kotouč, obrobek a vaše ruce musí být při řezání vždy vidět
- j) Nikdy neřežte více než jeden obrobek najednou
- k) Ujistěte se, zda se v obrobku nenachází žádné hřebíky nebo jiné cizí předměty
- l) Nikdy na tomto stroji neřežte materiály, jako jsou kovy nebo kámen
- m) Nepracujte s materiály, které obsahují azbest

3. Bezpečnost elektrického nářadí

Při prvním použití stroje a potom při jeho každém následujícím použití:



Před prováděním jakékoli práce na tomto stroji odpojte zástrčku napájecího kabelu od síťové zásuvky.

Všeobecné pokyny: Zkontrolujte kompletně celou pilu. Chybí-li jakákoli její část, je-li deformovaná, poškozená nebo není-li funkční, nebo zjistíte-li jakoukoli mechanickou či elektrickou závadu, nebo je-li tento stroj nadměrně hlučný, postupujte podle pokynů uvedených v tomto návodu k obsluze. Zjistíte-li na tomto stroji jakékoli závady, před opětovným použitím tohoto stroje musí být tyto závady odstraněny. Při opravách používejte pouze originální náhradní díly! Máte-li jakékoli nevyřešené problémy týkající se tohoto stroje, které by mohly ovlivnit vaši bezpečnost nebo bezpečnost stroje, kontaktujte prosím dodavatele tohoto stroje.

Elektrická bezpečnost

- a) Vždy používejte pouze originální zástrčku napájecího kabelu, která bude odpovídat síťové zásuvce a nepoužívejte u tohoto uzemněného elektrického nářadí žádné adaptéry zástrček. Neupravené zástrčky a odpovídající zásuvky budou snižovat riziko úrazu elektrickým proudem
- b) Nepoužívejte tento stroj, je-li poškozen jeho napájecí kabel. Nedotýkejte se poškozeného napájecího kabelu a dojde-li k poškození tohoto kabelu během práce s tímto nářadím, odpojte zástrčku od zásuvky. Poškozené kabely zvyšují riziko úrazu elektrickým proudem
- c) Provádějte pravidelnou kontrolu napájecího kabelu a zajistěte opravu poškozeného kabelu. Výměna kabelů nebo zástrček. Po výměně napájecích kabelů nebo zástrček staré kabely a zástrčky ihned zlikvidujte. Připojení zástrčky poškozeného kabelu k síťové zásuvce je velmi nebezpečné. Používejte originální napájecí kabel a zástrčky a svěťujte jejich opravu pouze autorizovanému servisu, aby byla vždy zajištěna bezpečnost elektrického nářadí!
- d) Zabraňte úrazu elektrickým proudem. Z důvodu zabránění úrazu elektrickým proudem se během připojení zástrčky kabelu k síťové zásuvce nikdy nesmíte dotýkat kovových kolíků zástrčky
- e) Nevystavujte elektrické nářadí dešti nebo vlhkému prostředí. Dostane-li se do elektrického nářadí voda, zvýší se riziko úrazu elektrickým proudem
- f) Nikdy netahejte za napájecí kabel, abyste odpojili zástrčku od zásuvky. Dbejte na to,

- aby napájecí kabel nepřecházel přes mastné, horké a ostré předměty
- g) Používáte-li elektrické nářadí venku, používejte prodlužovací kabel vhodný pro venkovní použití. Použití prodlužovacího kabelu pro venkovní použití snižuje riziko úrazu elektrickým proudem
 - h) Je-li stroj vybaven laserem. Nemiřte paprsek laseru na osoby nebo zvířata a nedívejte se do laserového paprsku. A to i z velké vzdálenosti. Laser musí splňovat požadavky normy EN 60825-1 pro lasery třídy 2.
 - i) Opravy laseru mohou být prováděny pouze výrobcem tohoto laseru nebo specialistou
 - j) Musíte-li používat toto elektrické nářadí ve vlhkém prostředí, používejte v elektrickém obvodu proudový chránič (RCD). Použití proudového chrániče (RCD) snižuje riziko úrazu elektrickým proudem

Mechanický systém

- a) Před zahájením procesu řezání nechejte stroj v chodu bez zátěže a počkejte, dokud nedosáhne provozních otáček. S pilou nastavenou v různých pracovních polohách zkontrolujte, zda se pilový kotouč volně otáčí a zda se pilový kotouč ničeho nedotýká. Je-li to nutné, proveďte správné nastavení nebo opravu
- b) Nepoužívejte elektrické nářadí, nepracuje-li správně jeho spouštěcí spínač. Nemůžete-li elektrické nářadí ovládat pomocí spouštěcího spínače, takové nářadí je velmi nebezpečné a musí být opraveno
- c) Vždy používejte pilové kotouče, které mají správnou velikost i tvar. Používejte pilové kotouče doporučené výrobcem (EN-847-1). Pilové kotouče, které neodpovídají upínacím systémům pily, se budou pohybovat excentricky, což může způsobit ztrátu kontroly nad nářadím
- d) Nikdy nepoužívejte příliš malé nebo příliš velké pilové kotouče. Je to velmi nebezpečné
- e) Nikdy neodstraňujte označení z pilových kotoučů. Technické informace musí být vždy viditelné, aby nemohlo dojít k omylu při výměně pilového kotouče
- f) Upněte si obrobek. Vždy upněte obrobek pomocí upínacího zařízení. Je to mnohem bezpečnější než držení obrobku rukou
- g) Nikdy neopouštějte tento stroj než dojde k jeho úplnému zastavení
- h) Nepoužívejte pilové kotouče z rychlořezné oceli (HSS). Tyto pilové kotouče mohou snadno prasknout
- i) Nepoužívejte tupé, prasklé, deformované nebo jinak poškozené pilové kotouče. Před zahájením práce odpojte zástrčku napájecího kabelu od zásuvky a zkontrolujte pilový kotouč. Poškozené nebo tupé pilové kotouče vytváří nekvalitní řez, nadměrné tření, ohýbání pilového kotouče a zpětné rázy. Poškozené pilové kotouče ihned vyměňte a při této výměně vždy používejte originální příruby, matice a šrouby
- j) Před zapnutím elektrického nářadí vždy odstraňte všechny klíče a seřizovací přípravky. Klíče nebo seřizovací přípravky ponechané na rotující části elektrického nářadí mohou způsobit zranění a velmi nebezpečné situace
- k) Na pilovém kotouči je šipka označující směr otáčení pilového kotouče. Tato šipka musí směřovat ve stejném směru jako šipka nacházející se na stroji, zuby pilového kotouče musí směřovat dolů směrem k přední části pily
- l) Nedotýkejte se pilového kotouče po ukončení práce, dokud nevychladne. Při řezání jsou pilové kotouče velmi horké
- m) Chraňte pilový kotouč před údery a otřesy. Nevývíjejte na pilový kotouč boční tlak
- n) Nepřetěžujte elektrické nářadí. Používejte pro prováděnou práci správné elektrické nářadí. Správné elektrické nářadí provede práci lépe a bezpečněji, je-li použito pro práce, pro které je určeno
- o) Nikdy si na toto elektrické nářadí nestoupejte. Při převrácení tohoto elektrického nářadí může dojít k vážnému zranění. Vždy používejte dodatečné podpěry, aby byla zaručena větší stabilita stroje
- p) Tento stroj je opatřen adaptérem při připojení odsávacího systému. Ujistěte se, zda je odsávací zařízení správně připojeno a zda správně vykonává svou práci. Odsávání prachu snižuje rizika spojená s prací v prašném prostředí
- q) Udržujte v čistotě větrací drážky na nářadí. Nahromaděné piliny musí být pravidelně odstraněny.
- r) Zkontrolujte správnou funkci ochranného krytu a ujistěte se, zda se může volně pohybovat. Nikdy nezajišťujte ochranný kryt v otevřené poloze
- s) Nikdy neodstraňujte nahromaděné odřezky z prostoru řezu, je-li pila v chodu. Vždy nejdříve

nastavte rameno pily zpět do neutrální polohy a potom proveďte vypnutí stroje

- t) Vedte pilový kotouč proti obrobku pouze v případě, je-li pila zapnuta. V jiném případě hrozí riziko zpětného rázu, dojde-li k zablokování pilového kotouče v obrobku
- u) Dojde-li k zablokování pilového kotouče. Vypněte stroj a držte obrobek, dokud se pilový kotouč zcela nezastaví
- v) Chcete-li zabránit zpětnému rázu. Nepohybujte s obrobkem, dokud nedojde k úplnému zastavení stroje. Před opětovným spuštěním stroje odstraňte příčinu zablokování pilového kotouče
- w) Při řezání profilů, kulatých obrobků nebo jiných předmětů vždy přitiskněte obrobek k dorazu tak, aby se nemohl pohybovat, to znamená, aby se nemohl obrátit nebo pohnout během řezání.
- x) Nikdy nepoužívejte tento stroj pro řezání obrobků, které jsou příliš malé a které nemohou být bezpečně upnuty a zajištěny. Malé kousky dřeva nebo jiné předměty, které se dostanou do kontaktu s rotujícím pilovým kotoučem, mohou vysokou rychlostí zasáhnout obsluhu nebo okolo stojící osoby
- y) Pro řezání všech obrobků vždy používejte dodatečné podpěry
- z) Pro řezání velkých obrobků, které nejsou podepřeny. Používejte dodatečné podpěry
- aa) Dbejte na to, aby byly výstražné štítky na stroji stále čitelné. Na stroji musí být vždy viditelné technické informace nebo štítek s informacemi o stroji.

Po ukončení procesu řezání a před sejmutím rukou z nářadí udržujte hlavu pily v dolní poloze, vypněte stroj a počkejte, dokud nedojde k zastavení všech pohybujících se dílů

3. MONTÁŽ A PŘÍSLUŠENSTVÍ

Instalace pokosové pily

- Umístěte jednu boční lištu (21) na pravou stranu stroje a druhou boční lištu na levou stranu stroje.
- Umístěte přichytku obrobku (7) na levou nebo pravou část stroje.
- Uchopte rukojeť, spusťte pilu mírně dolů a potom mírně povytáhněte kolík (5) tak, aby se pila pohybovala nahoru.

Poznámka: Nikdy nepoužívejte tuto pokosovou pilu bez dodaných prodlužovacích kusů. Ujistěte se, zda jsou správně namontovány.

Posuvné vodítko

Obr. 2

Z bezpečnostních důvodů je tento stroj vybaven pohyblivým vodítkem, které může být použito pro normální i šikmé řezy.

- Pro normální přímé příčné řezy a pokosové řezy vždy nastavte posuvné vodítko (8) až do koncové polohy a řádně je upevněte, aby byla zaručena bezpečná opěra obrobku.
- U šikmých řezů nastavte posuvné vodítko (8) do vhodné polohy co nejbliže k povrchu pilového kotouče tak, aby nedošlo ke kontaktu s kotoučem a aby bylo vodítko řádně upevněno.

Výměna pilových kotoučů

Obr. 4 a 5



Používejte pouze pilové kotouče, které jsou ostré a nepoškozené. Poškozené nebo ohnuté pilové kotouče ihned vyměňte.

NEBEZPEČÍ: Nepoužívejte žádné pilové kotouče, jejichž rozměry jsou větší než je jmenovitá kapacita pily. Mohlo by dojít ke kontaktu s ochranným krytem kotouče a k zranění.

Nepoužívejte pilový kotouč příliš silný na to, aby vnější podložka kotouče nezapadla do plošek na vřetenu. To by zabránilo upnutí a řádnému zajištění pilového kotouče na vřetenu pily. Nepoužívejte tuto pilu pro řezání kovu nebo zdíva

- Odpojte stroj od napájecího napětí.
- Odstraňte šroub (20), který upevňuje zasunovací rameno ke krytu pilového kotouče.
- Odstraňte šroub (19), abyste mohli sejmut šroubovací kryt zvednutím krytu pilového kotouče (6) směrem nahoru.
- Šrouby pilového kotouče (17) a příruby (18) by měly být nyní viditelné, jako na obr. 5.
- Stiskněte zajišťovací tlačítko pilového kotouče (22) a rukou otáčejte opatrně pilovým kotoučem, dokud nedojde k jeho zablokování.
- Pro demontáž šroubu pilového kotouče (17) použijte šestihranný klíč a při uvolňování s ním otáčejte ve směru pohybu hodinových ručiček.
- Sejměte přírubu (18) a pilový kotouč
- Při výměně pilového kotouče se ujistěte, zda šipka na pilovém kotouči ukazuje stejným

směrem jako šipka na nářadí. Zuby pilového kotouče musí směřovat dolů.

- Při upevňování šroubu pilového kotouče (17) použijte zajišťovací tlačítko pilového kotouče (22), aby došlo k řádnému upevnění
- Spusťte kryt pilového kotouče (6), aby šroubovací kryt zapadl zpět na své místo a utáhněte šroub (19)
- Upevněte zasunovací rameno zpět na kryt pilového kotouče (6) utažením šroubu (20)
- Otáčejte pilovým kotoučem a proveďte kontrolu, zda se kryt pohybuje volně

Nastavení úhlu řezu

Obr. 1 a 2

Nastavení úhlu pokosového řezu

Úhel pokosového řezu může být nastaven v rozsahu od 45° vlevo do 45° vpravo

- Povolte upínací šroub (10)
- Stiskněte zajišťovací páčku (11) a otáčejte stolem pily doleva nebo doprava pomocí upínacího šroubu (10), dokud nebude ukazatel úhlu (23) označovat požadovaný úhel.
- Uvolněte zajišťovací páčku (11) a utáhněte upínací šroub (10)

Přednastavení (rychlá nastavení) na následujících hodnotách: -45°, -30°, -22,5°, -15°, 0°, 15°, 22,5°, 30°, 45°.

- Stiskněte zajišťovací páčku (11) při otáčení základní desky a před dosažením požadované hodnoty páčku uvolněte. Deska se musí dostat do přednastavené polohy sama a musí dojít k jejímu zajištění.

Nastavení úhlu šikmého řezu

Obr. 1 a 3

Úhel šikmého řezu může být nastaven v rozmezí od 0° do 45°.

- Povolte seřizovací šroub (9)
- Nakloňte pilu pomocí rukojeti, dokud nebude ukazatel úhlu (14) označovat požadovaný úhel.
- Utáhněte seřizovací šroub (9)

Výměna uhlíků

Obr. 2

- Odpojte stroj od napájecího napětí
- Odšroubujte kryt (4).
- Při výměně uhlíků vždy použijte uhlíky přesně stejného typu
- Znovu utáhněte kryt (4).

Poznámka: Vždy provádějte výměnu obou uhlíků

současně a nikdy nepoužívejte staré a nové uhlíky dohromady.

Montáž vaku na prach

Obr. 1

Stiskněte přichytku vaku na prach (13) a nasuňte tento vak na otvor nacházející se na zadní části pily. Po uvolnění přichytky zůstane vak na prach na svém místě.

4. OBSLUHA

Použití pokosové pily

Obr. 1



Před použitím vždy zkontrolujte, zda není pila poškozena a zda je funkční!

- Nastavte požadovaný úhel řezu pily.
- Připojte zástrčku napájecího kabelu k síťové zásuvce.
- Upevněte obrobek pomocí upínacích svorek (7): ujistěte se, zda je obrobek řádně zajištěn!
- Držte materiál pevně na levé straně a současně se ujistěte, zda udržujete bezpečnou vzdálenost od pilového kotouče.
- Během zapínání stroje mějte zmáčkнутé pojistné tlačítko (3) a současně zatlačte vypínač (1).
- Před zahájením řezu obrobku se ujistěte, zda pilový kotouč dosáhl svých maximálních otáček.
- Potom začněte pomalu spouštět hlavu pily tak, aby pilový kotouč mohl prořezat obrobek a aby vnikl do drážky pracovního stolu. Nevyvíjejte na pilu žádný tlak. Nechejte pilu prořezat obrobek vlastním tempem.
- Znovu nastavte hlavu pily do horní polohy a vypněte pilu uvolněním spínače (1).

Použití posuvné funkce

Obr. 1



Tento stroj musí být pevně přišroubován k pracovnímu stolu.

Používejte posuvnou funkci pro řezání širokých obrobků:

- Upevněte obrobek pomocí upínací svorky
- Povolte šroub (12)
- Posuňte stroj zcela směrem k sobě

- Zapněte stroj pomocí spouštěcího spínače
- Sklápejte pilu pomalu dolů tak, aby pilový kotouč začal procházet obrobkem
- Zatlačte pilu pomalu směrem dozadu
- Nastavte pilu opatrně opět nahoru a vypněte ji pomocí spínače zapnuto/vypnuto

Použití laseru

Obr. 2

- Chcete-li laser zapnout, stiskněte spínač zapnuto/vypnuto 2.
- Chcete-li laser vypnout, uvolněte spínač zapnuto/vypnuto 2.

Převravní poloha

Pohybujte-li s pilou, ujistěte se, zda je tato pila v poloze směřující dovnitř. Zkontrolujte, zda jsou zajištěna všechna upínací zařízení a přichytky:

- Ujistěte se, zda je úhel pokosového řezu nastaven na 0°
- Ujistěte se, zda je úhel šikmého řezu nastaven na 0°
- Zajistěte upínací šroub pro seřízení úhlu řezu (9) otáčením ve směru pohybu hodinových ručiček
- Přisuňte stroj zcela směrem k sobě
- Zajistěte posuvnou funkci otáčením upínacího šroubu nad kluznou podpěrou (12) ve směru pohybu hodinových ručiček
- Odblokujte zajišťovací kolík (5) na pravé straně stroje
- Stlačte stroj zcela dolů
- Zablokujte zajišťovací kolík (5) na pravé straně stroje

Zvedejte tento stroj pouze uchopením za jeho pevnou spodní část. Nezvedejte tuto pilu uchopením za spínací rukojeť

5. SERVIS A ÚDRŽBA



Prováděte-li na mechanismu pily jakékoli úkony údržby, vždy se ujistěte, zda není tato pila připojena k elektrické síti.

Vodící tyče

Nečistoty mohou způsobit poškození povrchu vodících tyčí a následné problémy s použitím pily.

- Provádějte pravidelné čištění vodících tyčí měkkým hadříkem.

- Kápněte na vodící tyče několik kapek mazacího oleje.
- Pohybujte pokosovou pilou dopředu a dozadu tak, aby došlo k pokrytí celého povrchu vodících tyčí olejem.

Tyto stroje jsou navrženy tak, aby pracovaly dlouhou dobu bez jakýchkoli problémů s minimálními nároky na údržbu. Pravidelným čištěním stroje a jeho správnou obsluhou můžete přispět k dlouhé provozní životnosti tohoto stroje.

Čištění

Pravidelně čistěte kryt stroje měkkým hadrem, pokud možno po každém použití. Ujistěte se, zda nejsou větrací drážky zaneseny prachem nebo jinými nečistotami. U špatně odstranitelných nečistot použijte měkký hadřík navlhčený v mýdlovém roztoku. Nikdy nepoužívejte rozpouštědla, jako jsou benzen, líh, čpavek atd. Tyto typy rozpouštědel mohou poškodit plastové díly.

Řešení problémů

1. Motor nelze spustit

- Zástrčka není v síťové zásuvce
- Je poškozen napájecí kabel
- Je poškozen spínač Předejte stroj prodejci, který zajistí jeho opravu.

2. Řez pilového kotouče není hladký (je roztřepený)

- Pilový kotouč musí být nabroušen
- Pilový kotouč je namontován obráceně
- Pilový kotouč je zanesený pryskyřicí nebo pilinami
- Pilový kotouč není vhodný pro řezaný obrobek

3. Rukojeť pro nastavení výšky nebo pokosu je zablokována

- Musí být odstraněny nahromaděné piliny a prach

4. Motor má problémy s dosažením maximálních otáček

- Prodlužovací kabel je příliš tenký nebo příliš dlouhý
- Napětí v elektrické síti je menší než 230 V

5. Stroj nadměrně vibruje

- Pilový kotouč je poškozen

6. Stroj začíná být nadměrně horký

- Větrací drážky jsou zaneseny. Proveďte jejich očištění suchým hadříkem.

7. Chod elektrického motoru je nepravidelný

- Jsou opotřebovány uhlíky. Proveďte výměnu uhlíků nebo kontaktujte prodejce.

Mazání

Tento stroj nevyžaduje žádné dodatečné mazání.

Závady

Dojde-li k závadě, například opotřebování dílu, kontaktujte prosím autorizovaný servis na adrese, která je uvedena na záručním listě. Na konci tohoto návodu naleznete rozkreslenou sestavu nářadí, kde jsou zobrazeny díly, které si můžete objednat.

OCHRANA ŽIVOTNÍHO PROSTŘEDÍ

Z důvody ochrany před poškozením během přepravy je tento stroj dodáván v robustním balení. Je-li to možné, obal je vyroben z recyklovatelného materiálu, a proto využijte možnost jeho recyklace. Provádíte-li výměnu stroje, odevzdejte starý stroj autorizovanému prodejci. Zde bude vyřešena ekologicky nezávadná likvidace tohoto stroje.



Poškozená a likvidovaná elektrická nebo elektronická zařízení musí být odevzdána ve sběrných dvorech, které jsou určeny pro tento účel.

Pouze pro krajiny ES

Elektricky napájené zařízení neodhazujte do domovního odpadu. Ve smyslu evropské směrnice 2012/19/EU o elektrickém a elektronickém odpadu a její implementace do národního práva, se musí elektrické nástroje, které se již déle nepoužívají, shromažďovat odděleně a likvidovat pouze způsobem, jenž nepoškozuje životní prostředí.

ZÁRUKA

Přečtěte si záruční podmínky na samostatně dodávaném záručním listě.

Na tomto výrobku a v tomto návodu mohou být prováděny změny. Technické údaje mohou být změněny bez předchozího upozornění.

RADIALINIS SKERSAVIMO IR KAMPŲ SULEIDIMO PJŪKLAS MSM1039

Svoris	12 kg
Lpa (garso slėgis)	93.6+3 dB(A)
Lwa (garso galia)	106.6+3 dB(A)

Ačiū, kad įsigijote šį „Ferm“ gaminį.

Dabar turite puikų gaminį, kurį pateikia vieni svarbiausių Europos tiekėjų. Visi „Ferm“ tiekiami gaminiai yra pagaminti pagal aukščiausius veikimo ir saugos standartus. Be to, mes užtikriname puikią techninę priežiūrą, pagrįstą mūsų visapusiška garantija. Mes tikimės, kad šis įrankis puikiai tarnaus jums ilgus metus.

Šiame tekste esantys skaičiai atitinka 2-3 psl. esančius paveikslėlius



Prieš naudodami šį prietaisą, atidžiai perskaitykite naudojimo instrukciją. Susipažinkite su jo funkcijomis ir baziniu veikimu. Atlikite prietaiso techninės priežiūros darbus, vadovaudamiesi šia instrukcija, kad jis visada tinkamai veiktų. Naudojimo instrukcija ir su ja pateikiami dokumentai privalo būti laikomi šalia šio prietaiso.

Numatytoji naudojimo paskirtis

Šis elektrinis įrankis yra stacionarus įrenginys, skirtas medienai pjauti, atliekant tiesius išilginius ir skersinius pjūvius. Galima atlikti nuožambius -45°-+45° kampų pjūvius, taip pat -45° kampo vertikalius įstrižuosius pjūvius.



Šis pjūklas yra skirtas tik medienai pjauti. Nepjaukite pjūklų kitų medžiagų, išskyrus medieną.

1. INFORMACIJA APIE ĮRENGINĮ

Techniniai duomenys

Maitinimo tinklo įtampa	220-240 V~, 50Hz
Galingumas	1500 W
Įrenginio klasė	ii (dviguba izoliacija)
Greitis be apkrovos	4.500/min
Pjovimo disko matmenys	210 × 30 × 2,8mm
Nuožambis kampas	45° (kairysis ir dešinysis)
Įstrižasis kampas	45° (tik kairysis)
Maksimali kampų suleidimo stalių pjovimo geba:	
0° nuožambis, 0° įstrižumas	70 x 305 mm
0° nuožambis, 45° įstrižumas	35 x 305 mm
45° nuožambis, 0° įstrižumas	70 x 210 mm
45° nuožambis, 45° įstrižumas	35 x 210 mm

Vibracijos lygis

Šioje naudojimo instrukcijoje nurodytas vibracijos lygis nustatytas atsižvelgiant į standartinį bandymo metodą, pateiktą EN62841-1; jį galima naudoti palyginimui su kitais įrankiais ir preliminariam vibracijos poveikio įvertinimui naudojant įrankį minėtiems darbams atlikti

- naudojant įrankį kitokiems darbams arba naudojant su kitokiais arba prastai techniškai prižiūretais priedais, poveikio lygis gali ženkliai padidėti
- kai įrankis yra išjungtas arba kai jis veikia, bet faktiškai nėra naudojamas, poveikio lygis gali ženkliai sumažėti

Apsisaugokite nuo vibracijos poveikio, techniškai prižiūredami įrankį ir jo priedus, laikydami rankas šiltais, planuodami darbus.

Savybės

Pav. 1, 2, 3, 4 ir 5

- Įjungimo / išjungimo jungiklis
- Lazerio įjungimo / išjungimo jungiklis
- Fiksavimo mygtukas
- Anglies šepetėlio dangtelis
- Fiksatorius
- Apsauginis disko gaubtas
- Ruošinio spaustuvus
- Kreiptuvus
- Pjovimo kampo nustatymo rankenėlė
- Fiksavimo rankenėlė
- Fiksavimo svirtis
- Rankenėlė virš slankiojamosios atramos
- Dulkių surinkimo maišelio jungtis
- Įstrižasis kampas
- Gaubtas
- Pjūklų disko varžtas
- Jungė
- Varžtas
- Atitraukimo svirties varžtas
- Įlginimo dalys (kairė ir dešinė)
- Pjūklų disko fiksavimo mygtukas
- Kampo rodiklis

2. SAUGOS TAISYKLĖS

Kai naudojate įrankius su akumuliatoriais, laikykitės būtinų saugos priemonių, kad sumažintumėte gaisro, skysčio ištekėjimo iš akumuliatorių ir sužeidimo pavojų.

Prieš pradėdami naudoti elektrinį įrankį, visada perskaitykite specialią gaminio naudojimo instrukciją bei saugos taisykles ir išsaugokite jas ateičiai.

Stacionarus įrenginio montavimas

6 pav.

Šis prietaisas yra stacionarus įrenginys: saugumo sumetimais jį visada privaloma tvirtai sumontuoti ir nenaudoti jo mobiliesiems darbams.

Šį įrenginį galima montuoti dviem būdais:

- Kaip stacionarų įrenginį ant darbostaliu. Tokiu atveju įrenginį privaloma pritvirtinti prie darbostaliu 4 varžtais.
- Kaip stacionarų įrenginį ant porėmio. Tokiu atveju įrenginį privaloma pritvirtinti prie porėmio 4 varžtais, o porėmį priveržti 4 varžtais prie mažiausiai 1 kvadratinio metro dydžio grindų plokštės.

Ženkliai

Naudojant elektrinį įrankį, svarbu atkreipti dėmesį į toliau nurodytus ženklus. Tinkamai suprātę ženklų reikšmę, galėsite saugiau naudotis elektriniu įrankiu



Reiškia susižeidimo pavojų, pavojų gyvybei arba žalos įrankiui pavojų, jei nebus laikomasi šiame vadove paveiktų nurodymų.



Dėmesio: elektros smūgio pavojus



Neleiskite artyn pašalinių asmenų



Dėvėkite apsauginius akinius



Dėvėkite ausų apsaugas. Triukšmas gali sukelti klausos praradimą.



Dėvėkite apsauginę kaukę



Pavojinga zona! Įrenginiui veikiant, rankas laikykite atokiai (10 cm atstumu) nuo pjovimo zonos. Pavojus susižaloti prisilietus prie pjovimo disko



Nenukreipkite lazerio spindulio tiesiai į žmones ar gyvūnus ir patys nežiūrėkite tiesiai į spindulį netgi iš toli. Šis elektrinis įrankis priskiriamas 2 klasės prietaisams ir kelia lazerinę radiaciją pagal EN 60825-1. Tai gali sukelti žmogaus apakimą.



*Disko matmenys. Atkreipkite dėmesį į pjovimo disko matmenis. Angos skersmuo privalo atitikti įrankio veleną be jokio laisvumo. *Naudokite tik tiekėjo nurodytą sandarinimo žiedą; sandarinimo žiedas neturi turėjo jokio laisvumo*



Įrenginį gabenkite tik tada, kai jis yra vidinėje transportavimo padėtyje

1. Darbo vietos sauga

- Darbo vieta turi būti švari ir gerai apšviesta. Užgriozdintos ir tamsios vietos dažnai yra nelaimingų atsitikimų priežastimi.
- Elektrinių įrankių nenaudokite sprogioje aplinkoje, pavyzdžiui ten, kur yra degių skysčių, dujų arba dulkių. Elektriniai įrankiai sukelia kibirkštis, nuo kurių gali užsidegti dulkės arba garai.
- Dirbdami su elektriniu įrankiu neleiskite artyn vaikų ir pašalinių asmenų. Atitraukę dėmesį galite nesuvaldyti įrankio arba perpjauti ruošinį.
- Niekuomet nepalikite įrenginio be priežiūros, neišjungę jo iš maitinimo tinklo.

2. Asmens sauga

- Jeigu niekada nesate naudoję tokio įrenginio, geriau būtų, jeigu jus pirma pamokytų specialistas, instruktorius ar meistras.
- Laikykite išjungtus elektrinius įrankius vaikams nepasiekiamoje vietoje. Naudojami neakvalifikuotų vartotojų, elektriniai įrankiai yra pavojingi.
- Elektriniai įrankiai turi būti sausi, švarūs, netepaluoti ir nealyvuoti. Tinkamai techniškai prižiūrimus elektrinius įrankius galima saugiau ir lengviau valdyti. Tepaluotos, alyva išteptos rankenos yra slidžios, todėl galima nesuvaldyti įrankio.

- d) Darbo vieta visada privalo būti švari ir tvarkinga. Antraip galite paslysti arba užkliūti.
- e) Kai naudojate elektrinį įrankį, būkite budrūs, stebėkite savo veiksmus ir vadovaukitės sveiku protu.
- f) Nepersitempkite. Visuomet tvirtai stovėkite ant žemės, išlaikykite pusiausvyrą. Taip galėsite geriau valdyti elektrinį įrankį netikėtose situacijose.
- g) Nenaudokite įrenginio, būdami pavargę arba veikiami narkotikų, alkoholio arba vaistų. Dirbant su elektriniu įrankiu užtenka vienos neatidumo akimirkos ir galima sunkiai susižeisti.
- h) Visada naudokite apsaugos priemones. Visada dėvėkite apsauginius akinius, kaukę nuo dulkių, ausų apaugas ir apsauginius batus. Atlikdami įrenginio techninės priežiūros darbus arba tvarkydami žaliavas, mūvėkite pirštines. Susiriškite plaukus. Norėdami sumažinti pavojų susižeisti:
 - i) Būkite atsargūs, pjaudami dvigubo nuožulnumo sujungimus. Atliekant pjūvį, pjovimo diskas, ruošinys ir rankos visada turi būti matomi.
 - j) Niekada nepjaukite daugiau nei vieno ruošinio vienu metu.
 - k) Įsitikinkite, ar ruošinyje nėra jokių vinių / kabių ar kitų pašalinių objektų.
 - l) Šiuo įrenginiu niekuomet nepjaukite metalinių ar akmeninių ruošinių.
 - m) Nenaudokite medžiagų, kurių sudėtyje yra asbesto.

3. Elektrinių įrankių sauga

Pirmą kartą naudodami įrenginį ir vėliau kiekvieną kartą jį naudodami:



Prieš darydami bet kokius įrenginio techninės priežiūros darbus, ištraukite kištuką iš elektros tinklo lizdo.

Bendroji informacija: Patikrinkite visas pjovimo stakles: ar netrūksta jokios dalies, ar dalys nesulankstytos, neapgadintos, nėra jokių veikimo sutrikimų, ar nėra arba nepastebima jokių mechaninių ir (arba) elektros gedimų, ar veikiantis įrenginys nekelia nepaprastai didelio triukšmo; žr. naudojimo instrukciją.

Pastebėjus kokių nors įrenginio defektų, juos privaloma pašalinti ir tik tada naudotis įrenginiu. Privaloma naudoti tik originalias atsargines dalis! Jeigu kiltų kokių nors abejonių dėl jūsų ar įrenginio naudojimo saugos, pasitarkite su įrenginio tiekėju.

Elektrosauga

- a) Visada naudokite originalų elektros kištuką, kuris atitinka elektros lizdą; su įžemintais elektriniais įrankiais niekada nenaudokite jokių adapterių. Nepakeisti, originalūs kištukai ir juos atitinkantys elektros lizdai sumažins elektros smūgio pavojų.
- b) Nesinaudokite įrenginiu, kurio maitinimo kabelis yra pažeistas. Nelieskite pažeisti kabelio - ištraukite elektros kištuką, jeigu dirbant kabelis būtų pažeistas. Pažeisti kabeliai padidina elektros smūgio pavojų.
- c) Reguliariai tikrinkite kabelį; pasirūpinkite, kad pažeistas kabelis būtų sutaisytas. Laidų ir kištukų pakeitimas Pakeitę laidus ar kištukus naujais, senuosius tuoj pat išmeskite. Pavojinga kišti kištuką su kabančiu, neprijungtu laidu į sieninį lizdą. Naudokite originalų maitinimo laidą ir elektros kištuką; remonto darbus privalo atlikti tik kvalifikuotas meistras, kad būtų užtikrintas elektrinio įrankio saugumas!
- d) Norint išvengti elektros smūgio: jungiant kištuką į lizdą, metaliniai kontaktai jokiais būdais neturi susiliesti.
- e) Nedirbkite su elektriniais įrankiais Lietuvoje arba esant dideliam oro drėgnumui. Į elektrinį įrankį patekęs vanduo padidina elektros smūgio pavojų.
- f) Niekada kištuko iš lizdo netraukite laikydami už laido. Saugokite laidą ir kištuką nuo karščio, alyvos ir aštrių daiktų.
- g) Dirbdami su elektriniais įrankiais lauke, naudokite tam pritaikytą ilginimo laidą. Naudojant darbui lauke tinkamą laidą, sumažėja elektros smūgio pavojus.
- h) Šiame įrenginyje įrengtas lazeris. Nenukreipkite lazerio spindulio tiesiai į žmones ar gyvūnus ir patys nežiūrėkite tiesiai į spindulį. Net iš toli. Lazeris atitinka EN 60825-1 2 klasę.
- i) Lazerių įrenginius gali taisyti tik lazerių gamintojas arba specialistas.
- j) Jeigu elektrinį įrankį neišvengiamai reikia naudoti drėgnoje aplinkoje, naudokite energijos šaltinį, apsaugotą liekamosios elektros srovės prietaisu (RCD). Naudojant RCD, sumažėja elektros smūgio pavojus.

Mechaninė sauga

- a) Prieš įjungdami įrenginį, patikrinkite, ar pjovimo diskas gali laisvai sukstis. Patikrinkite, ar esant įvairioms pjovimo staklių padėtimis pjovimo diskas gali laisvai sukstis; jeigu pjovimo diskas liečia kokią nors staklių dalį, stakles reikia sureguliuoti arba suremontuoti.
- b) Nenaudokite elektrinio įrankio, jeigu jo jungiklis jo neįjungia arba neišjungia. Elektrinis įrankis, kurio negalima valdyti jungikliu, yra pavojingas - jį privaloma sutaisyti.
- c) Visuomet naudokite tinkamo dydžio ir formos pjovimo diskus. Naudokite gamintojo rekomenduojamus pjovimo diskus (EN-847-1). Pjovimo diskai, kurių vidinės angos neatitinka pjūklomontavimo įrangos, veiks ekscentriškai, sukeldami kontrolės praradimą
- d) Niekada nenaudokite per mažų arba per didelių pjovimo diskų. Tai labai pavojinga.
- e) Niekada nepašalinkite pjovimo disko žymės. Techninė informacija visada turi būti matoma, kad galima būtų tinkamai pasirinkti keičiant pjovimo diskus.
- f) Įtvirtinkite ruošinį. Visada suspauskite ruošinį spaustuvais: taip bus saugiau nei laikant ranka.
- g) Niekada nepalikite veikiančio įrenginio - palaukite, kol jis visiškai nesustos.
- h) Nenaudokite greitapjovio plieno diskų (HSS). Pjovimo diskas gali lengvai skilti.
- i) Niekada nenaudokite atbukusių, įtrūkusių, sulankstytų arba apgadintų pjovimo diskų. Prieš naudodami įrenginį, atjunkite jį nuo elektros tinklo lizdo ir patikrinkite pjovimo diską. Apgadinti arba atbukę pjovimo diskai pjauna siaurai ir sukelia pernelyg didelę trintį, disko strigimą ir atatranką. Tuoj pat pakeiskite apgadintus pjovimo diskus; visada naudokite originalias junges, veržles ir (arba) varžtus.
- j) Prieš jungdami elektrinį įrankį, pašalinkite visus reguliavimo raktus arba veržliarakčius. Neištraukę veržliarakčio iš besisukančios elektros įrankio dalies rizikuojate susižeisti ir sukelti labai pavojingą situaciją.
- k) Ant pjovimo disko pažymėta rodyklė rodo sukimosi kryptį. Ši rodyklė privalo būti nukreipta ta pačia kryptimi kaip ir ant įrenginio pažymėta rodyklė, o pjovimo disko dantukai privalo būti nukreipti žemyn pjovimo staklių priekyje.
- l) Nelieskite pjovimo disko tuoj pat po darbo: palaukite, kol jis atvės. Naudojant įrankį, pjovimo diskas labai įkaista.
- m) Saugokite pjovimo diskus nuo sutrenkimų ir smūgių. Nespauskite pjovimo disko iš šono.
- n) Dirbdami su įrankiu, nenaudokite jėgos. Darbu atlikti naudokite tinkamą įrankį. Tinkamu elektriniu įrankiu geriau ir saugiau atliksite darbą tokiu greičiu, kuriam jis yra numatytas.
- o) Niekada nestovėkite ant elektrinio įrankio. Elektriniams įrankiams apvirtus, galima sunkiai susižaloti. Visada naudokite papildomą atramą, kad įrenginys būtų stabilus.
- p) Įrenginyje yra įtaisų dulkių ištraukimo prietaisams prijungti; būtinai juos prijunkite ir tinkamai naudokite. Surenkant dulkes, sumažėja su dulkelėmis susiję pavojai.
- q) Įrenginio ventiliacijos angos visada turi būti švarios. Privaloma valyti susikaupusias dulkes.
- r) Patikrinkite, ar apsauginis gaubtas tinkamai veikia ir ar jis laisvai juda. Niekada neužblokuokite apsauginio gaubto atidarymo padėtyje.
- s) Niekada nešalinkite jokių nuopjovų iš pjovimo zonos įrenginiui veikiant. Pirmiausiai visada sugrąžinkite įrankio svirtį į neutralią padėtį, tada išjunkite įrenginį.
- t) Nuleiskite pjovimo diską ant ruošinio tik tada, kai įrenginys yra įjungtas. Antraip pjovimo diskas gali įstrigti ruošinyje ir sukelti atatranką.
- u) Jeigu pjovimo diskas užstringa: Išjunkite įrenginį ir laikykite ruošinį, kol pjovimo diskas visiškai sustos.
- v) Norint išvengti atatrankos: Negalima judinti ruošinio, kol įrenginys visiškai nesustos. Pašalinkite pjovimo disko įstrigimo priežastį, prieš vėl įjungdami įrenginį.
- w) Pjaudami profiliuotas dalis, apvalius ar panašius ruošinius, visada prispauskite ruošinį prie stabdiklio, kad pjaunamas jis nepasisuktų, nepakryptų ar nepajudėtų.
- x) Niekada nepjunkite įrenginiu ruošinių, kurie yra per maži, kad juos galima būtų saugiai įtvirtinti. Besisukančiam pjovimo diskui palietus mažus medinius ar kitus ruošinius, jie gali didele jėga trenkti naudotojui arba netoliese esantiems žmonėms.
- y) Pjaudami visada naudokite papildomas atramas.
- z) Pjaudami didelius ruošinius: Naudokite papildomas atramas.

aa) Niekada nepašalinkite ant įrenginio pažymėtų įspėjamųjų ženklų. Ant įrenginio visada turi būti matoma techninė informacija arba informacija apie įrenginio tipą.

Pabaigus pjauti, pjovimo galvutę reikia palikti nuleistą, tada išjungti įrenginį ir palaukti, kol sustos visos besisukančios dalys, tik tada patraukti rankas nuo įrenginio.

3. MONTAVIMAS IR PRIEDAI

Kampų suleidimo staklių montavimas

- Vieną skersinį (21) reikia dėti dešinėje įrenginio pusėje, o kitą skersinį - kairėje pusėje.
- Dėkite ruošinio spaustuvą (7) įrenginio kairėje arba dešinėje pusėje.
- Laikydami už rankenos, šiek tiek patraukite pjūklą žemyn, tada šiek tiek ištraukite kaištį (5), kad pjūklas pajudėtų aukštin.

Pastaba. Niekuomet nenaudokite kampų suleidimo staklių be pateiktųjų ilginimo dalių. Patikrinkite, ar jos yra tinkamai sumontuotos.

Slankiojamasis kreiptuvas

2 pav.

Saugumo sumetimais šiame įrenginyje yra įrengtas slankiojamasis kreiptuvas, naudojamas atliekant įprastus ir įstrižuosius pjūvius.

- Atliekdami įprastus tiesius skersinius ir nuožambius pjūvius, visada nustatykite slankiojamąjį kreiptuvą (8) į galą ir tvirtai užfiksuokite, kad ruošinys būtų saugiai atremtas.
- Atliekant įstrižuosius pjūvius, slankiojamasis kreiptuvas (8) turi būti nustatytas į tinkamą padėtį, kuo arčiau pjovimo disko paviršiaus, bet jo neliesti, ir jis privalo būti tinkamai užfiksuotas.

Pjovimo diskų keitimas

4 ir 5 pav.



Naudokite tik aštirus ir neapgadintus pjovimo diskus. Aplūžusius arba sulankstytus pjovimo diskus privaloma nedelsiant pakeisti naujais.

PAVOJUS: nenaudokite didesnių diskų nei nurodyta. Jie gali liestis prie disko apsauginio gaubto ir sužaloti.

Nenaudokite per storo disko, kad išorinė disko poveržlė liestųsi prie veleno plokštumų. Antraip disko varžtas negalės tinkamai pritvirtinti disko prie veleno.

Nenaudokite šio pjūklo metalui arba betonui pjauti.

- Atjunkite mechanizmą nuo energijos šaltinio.
- Atsukite varžtą (20), kuriuo atitraukimo svirtis yra pritvirtinta prie disko apsauginio gaubto.
- Išsukite varžtą (19), kad galėtumėte nuimti varžto gaubtelį, pakėlę disko gaubtą (6).
- Turi matytis ir pjovimo disko varžtas (17), ir jungė (18), kaip pavaizduota 5 pav.
- Paspauskite pjovimo disko fiksavimo mygtuką (22). Atsargiai ranka sukite pjovimo diską tol, kol diskas užsifiksuos.
- Šešiakampiu veržliarakčiu atsukite pjovimo disko varžtą (17), sukdami pagal laikrodžio rodyklę.
- Nuimkite jungę (18) ir pjovimo diską.
- Uždėkite naują pjovimo diską, įsitikindami, kad ant pjovimo disko esanti rodyklė yra nukreipta ta pačia kryptimi kaip ir ant įrenginio pažymėta rodyklė. Pjovimo disko dantukai privalo būti nukreipti žemyn.
- Užfiksuokite pjovimo disko varžtą (17), naudodami pjovimo disko fiksavimo mygtuką (22), kad tvirtai užveržtumėte.
- Nuleiskite disko apsauginį gaubtą (6), kad būtų tinkamai nustatytas varžto gaubtelis, ir užveržkite varžtą (19).
- Vėl pritvirtinkite atitraukimo svirtį ant disko apsauginio gaubto (6), užverždami varžtą (20).
- Pasukite pjovimo diską ir įsitinkinkite, ar apsauginis gaubtas laisvai juda.

Pjovimo kampo nustatymas

1 ir 2 pav.

Nuožambių kampų nustatymas

Nuožambių kampą galima nustatyti nuo 45° kairėje pusėje iki 45° dešinėje pusėje.

- Atlaisvinkite fiksavimo rankenėlę (10).
- Paspauskite fiksavimo svirtį (11) ir sukite pjūklo pagrindą į kairę arba dešinę, naudodami fiksavimo rankenėlę (10), kol kampų rodiklis (23) rodys reikiamą kampą.
- Atleiskite fiksavimo svirtį (11) ir užtvirtinkite fiksavimo rankenėlę (10).

Išankstinės toliau nurodytų kampų nuostatos (greitosios nuostatos): -45° , -30° , -22.5° , -15° , 0° , 15° , 22.5° , 30° , 45° .

- Sukdami pagrindo plokštę, laikykite nuspaude fiksavimo svirtį (11) ir atleiskite svirtį, nepasiekus reikiamo kampo, tada plokštė pati užsifiksuos reikiamoje iš anksto nustatytoje padėtyje.

Istrižųjų kampų nustatymas

1 ir 3 pav.

Istrižąjį kampą galima nustatyti nuo 0° iki 45° .

- Atlaisvinkite reguliavimo rankenėlę (9).
- Kreipkite pjūklą, naudodami rankenėlę, kol kampų rodiklis (14) rodys reikiamą kampą.
- Užveržkite reguliavimo rankenėlę (9).

Anglinių šepetėlių keitimas

2 pav.

- Atjunkite įrenginį nuo elektros tinklo.
- Atsukite dangtelis (4).
- Pakeiskite anglinius šepetėlius to paties tipo šepetėliais.
- Vėl priveržkite dangtelis (4).

Pastaba. Visada tuo pat metu pakeiskite abu anglinius šepetėlius; niekada nenaudokite senų šepetėlių kartu su naujais.

Dulkių maišelio uždėjimas

1 pav.

Paspauskite dulkių surinkimo maišelio (13) spaustuką ir užmaukite jį ant įrenginio gale esančios angos.

Atleidus spaustuką, dulkių surinkimo maišelis bus užfiksuotas.

4. NAUDOJIMAS

Kampų suleidimo staklių naudojimas

1 pav.



Prieš naudojimą visada patikrinkite, ar nėra trikčių arba defektų!

- Nustatykite įrenginį reikiamu pjovimo kampu.
- Prijunkite įrenginį prie elektros tinklo.
- Užfiksuokite ruošinį spaustuvu (7): įsitikinkite, ar ruošinys yra tinkamai įtvirtintas!
- Tvirtai laikykite ruošinį iš kairės pusės, bet išlaikykite saugų atstumą nuo pjūklo disko.
- Jei norite įjungti įrenginį, paspauskite ir

palaukite nuspaustą fiksavimo mygtuką (3) ir tuo pačiu metu paspauskite įjungimo/išjungimo jungiklį (1).

- Palaukite, kol pjovimo diskas pasiekis maksimalų sukimosi greitį, tik tada nuleiskite jį ant ruošinio.
- Dabar lėtai nuleiskite pjūklą žemyn, kad pjovimo diskas pjautų ruošinį ir praeitų pro pagrindo angą. Nespauskite pjūklo. Leiskite įrenginiui pačiam pjauti ruošinį.
- Atsargiai pakelkite įrenginį aukštyn ir išjunkite jį, atleisdami jungiklį (1).

Slinkimo funkcijos naudojimas

1 pav.



Įrenginys privalo būti tvirtai priveržtas prie darbastalio.

Naudokite slinkimo funkciją platiems ruošiniams pjauti:

- Užfiksuokite ruošinį spaustuvu.
- Atlaisvinkite rankenėlę (12).
- Patraukite įrenginį iki galo link savęs.
- Įjunkite įrenginį, naudodami jungiklį.
- Lėtai nuleiskite pjūklą žemyn, kad pjovimo diskas pjautų ruošinį.
- Lėtai stumkite įrenginį atgal.
- Atsargiai pakelkite įrenginį aukštyn ir išjunkite jį, atleisdami jungiklį.

Lazerio naudojimas

2 pav.

- Norėdami įjungti lazerį, spauskite įjungimo / išjungimo jungiklį 2.
- Norėdami išjungti lazerį, atleiskite įjungimo / išjungimo jungiklį 2.

Transportavimo padėtis

Perkeldami pjūklą įsitikinkite, kad jis yra nukreiptas į vidų. Patikrinkite, ar saugūs visi užraktai ir įtempimo įtaisai:

- Įsitikinkite, kad nuožambio kampas yra nustatytas į 0°
- Įsitikinkite, kad įstrižasis kampas yra nustatytas į 0°
- Užfiksuokite rankenėle reguliuojamą pjūklo kampą (9), sukdami jį pagal laikrodžio rodyklę
- Patraukite mašiną iki galo link savęs
- Užblokuokite slydimo funkciją sukdami rankenėlę virš slydimo atramos (12) pagal

- laikrodžio rodyklę
- Atblokuokite fiksuojamąjį kaištį (5) dešinėje mašinos pusėje
- Iki galo spauskite mašiną žemyn
- Užfiksuokite fiksuojamąjį kaištį (5) dešinėje įrenginio pusėje

Mašiną kelkite tik už tvirtos apatinės pusės. Nekelkite pjūklo už jungiklio rankenos.

5. TECHNINĖ PRIEŽIŪRA IR REMONTAS



Atlikdami šio įrenginio techninę priežiūrą, įsitikinkite, ar įrenginys yra atjungtas nuo elektros tinklo.

Slinkimo bėgeliai

Purvas gali pažeisti slinkimo bėgelius ir sutrikdyti įrenginio veikimą.

- Reguliariai valykite slinkimo bėgelius minkšta šluoste.
- Užlašinkite ant slinkimo bėgelių šiek tiek tepimo alyvos.
- Pastumkite kampų suleidimo stakles pirmyn ir atgal, kad alyva tinkamai pasiskirstytų ant bėgelių. Šie įrenginiai skirti ilgalaikiam naudojimui be jokių problemų ir jiems reikia minimalios techninės priežiūros.

Įrenginys ilgai jums tarnaus, jeigu reguliariai jį valysite ir tinkamai naudosite.

Valymas

Reguliariai valykite įrenginio korpusą sausa šluoste, pageidautina po kiekvieno panaudojimo. Ventilacijos angos turi būti švarios: nedulkėtos ir nepurvinos. Įsisenėjusį purvą nuvalykite minkšta šluoste, sudrėkinta muiluotu vandeniu. Valymui niekuomet nenaudokite tirpiklių, pavyzdžiui, benzino, alkoholio, amoniako tirpalo ir pan. Šie tirpikliai gali apgadinti plastmasines dalis.

Problemos sprendimas

1. Variklis neįsijungia

- Kištukas neįkištas į elektros lizdą.
- Nutrūko maitinimo laidas.
- Sugedo jungiklis. Atiduokite įrenginį įgaliojamam atstovui, kad sutaisytų.

2. Nelygus (dantytas) pjūvis

- Reikia pagaląsti pjovimo diską.
- Pjovimo diskas sumontuotas apverstai.
- Pjovimo diskas apsisivelė smala arba pjuvenomis.
- Šis pjovimo diskas netinka naudojamam ruošiniui pjauti.

3. Užstrigo aukščio ir (arba) nuožambio svirtis.

- Reikia pašalinti pjuvenas ir (arba) dulkes.

4. Variklis sunkiai pasiekia maksimalias apsukas

- Per plonas ir (arba) per ilgas ilginimo laidas.
- Maitinimo tinklo įtampa žemesnė nei 230 V.

5. Įrenginys per smarkiai vibruoja

- Pjovimo diskas yra apgadintas.

6. Įrenginys per smarkiai įkaista

- Užsikimšo ventilacijos angos. Išvalykite jas sausa šluoste.

7. Elektrinis variklis veikia netolygiai

- Nusidėvėjo angliniai šepetėliai. Pakeiskite anglinius šepetėlius arba pasitarkite su pardavimo atstovu.

Tepimas

Šio įrenginio papildomai tepti nereikia.

Gedimai

Jeigu įvyktų koks nors gedimas, pvz., susidėvėtų kokia nors dalis, susisieki su techninio aptarnavimo atstovu, kurio adresas yra nurodytas garantijos kortelėje. Šio vadovo gale rasite dalių, kurias galite užsisakyti, sąrašą.

APLINKOSAUGA

Norint apsaugoti nuo sugadinimo gabenimo metu, šis įrenginys pristatomas kietoje pakuotėje. Kai tik įmanoma, pakuotė yra gaminama iš perdirbtų žaliavų, todėl pasinaudokite galimybe rūšiuoti atliekas ir tinkamai išmeskite pakavimo medžiagas. Keisdami įrenginį nauju, senąjį atiduokite vietas atstovui. Čia jis bus utilizuotas aplinkai nekenksmingu būdu.



Sugadintus ir (arba) senus elektriskus ar elektroniskus priekšmetus privaloma atiduot j specialiai tam skirtus atlieku surinkimo punktus.

Taikoma tik EB šalims

Neišmeskite elektriskajam ierīcī kopā ar ierīcī, kas ir paredzēti lietošanai mājās. Atsīzvelgiant j ES Direktīvu 2012/19/ES dēl elektriskajam ierīcī un elektroniskajam ierīcī, kuriem ir jānodrošina atbilstošs pārvaldīšanas līmenis, visi elektriskie ierīcī ir jānodrošina ar atbilstošām ierīcī, kas ir paredzēti lietošanai mājās, un jānodrošina ar atbilstošām ierīcī, kas ir paredzēti lietošanai mājās, un jānodrošina ar atbilstošām ierīcī, kas ir paredzēti lietošanai mājās.

GARANTĪJA

Perskaitykite garantines sąlygas, pateiktas atskirai pridėtoje garantijos kortelėje.

Gamins ir naudojimo instrukcija gali būti keičiami. Techniniai duomenys gali būti keičiami ne išankstinio įspėjimo.

RADIĀLAIS LENĶZĀĢIS MSM1039

Pateicamies, ka iegādājāties šo Ferm izstrādājumu.

Tagad jums pieder lielisks izstrādājums, ko izgatavojis viens no Eiropas vadošajiem ražotājiem. Visi izstrādājumi, ko ražojis Ferm, ir izgatavoti atbilstoši visaugstākajiem veiktspējas un drošības standartiem. Mūsu filozofijas pamatā ir arī izcils klientu apkalpošanas serviss, kas ietilpst mūsu daudzpusīgajā garantijā. Mēs ceram, ka šo izstrādājumu ar prieku lietosiet gadiem ilgi.

Turpmākajā tekstā norādītie numuri attiecas uz 2.-3. lpp. redzamajiem attēliem



Pirms sākt lietot šo ierīci, uzmanīgi izlasiet lietošanas pamācību. Iepazīstieties ar tā funkcijām un pamata darbību. Ierīces apkopi veiciet saskaņā ar instrukcijām, lai nodrošinātu, ka tā vienmēr darbojas pareizi. Eksploataācijas pamācību un komplektācijā iekļauto dokumentāciju jāglabā ierīces tuvumā.

Paredzētā lietošana

Šo elektroinstrumentu ir paredzēts lietot kā stacionāru iekārtu kokmateriālu taisnai garenzāģēšanai un šķērszāģēšanai. Iespējami horizontālie lenķzāģēšanas lenķi ir no -45° līdz +45°, kā arī vertikālā slīpuma lenķi -45°.



Šis zāģis ir paredzēts tikai koksnes zāģēšanai. Neizvēliet citus materiālus ar šo zāģi.

1. INFORMĀCIJA PAR IEKĀRTU

Tehniskie dati

Elektrotīkla spriegums	220-240 V~, 50Hz
Jauda	1500 W
Iekārtas klase	II (dubultizolācija)
Ātrums bez noslodzes	4.500 apgr./min
Zāģripas izmēri	210×30×2,8 mm
Lenķis lenķzāģēšanai	45° (pa kreisi un pa labi)
Lenķis slīpai zāģēšanai	45° (tikai pa kreisi)
Lenķzāģa maksimālās zāģēšanas iespējas:	
Lenķzāģēšana 0°, slīpums 0°	70×305 mm
Lenķzāģēšana 0°, slīpums 45°	35×305 mm
Lenķzāģēšana 45°, slīpums 0°	70×210 mm
Lenķzāģēšana 45°, slīpums 45°	35×210 mm

Svars	12 kg
Lpa (skaņas spiediens)	93.6+3 dB(A)
Lwa (akustiskā jauda)	106.6+3 dB(A)

Vibrāciju līmenis

Šajā lietošanas rokasgrāmatā norādīta vibrāciju emisijas vērtība ir izmērīta saskaņā ar standarta pārbaudes metodi, kas norādīta EN62841-1; to var izmantot viena instrumenta salīdzināšanai ar citu un tam, lai iepriekš novērtētu vibrācijas iedarbību, ja instrumentu lieto iepriekš minēto darbu veikšanai

- vibrāciju iedarbība var būt ievērojami lielāka, ja instrumentu lieto citu darbu veikšanai, ja uzstāda citus piederumus vai tiem neveic pietiekamu apkopi
- vibrācijas iedarbība var būt ievērojami mazāka laikā, kad instruments ir izslēgts vai darbojas tukšgaitā, faktiski neveicot darbu

Pasargājiet sevi no vibrācijas iedarbības, veicot instrumenta un piederumu apkopi, rūpējoties, lai rokas būtu sausas, un organizējot darba gaitu

Līdzekļi

1., 2., 3., 4. un 5. attēli

1. Ieslēgšanas/izslēgšanas slēdzis
2. Lāzera ieslēgšanas/izslēgšanas slēdzis
3. Bloķēšanas poga
4. Ogles suku vāciņš
5. Fiksācijas tāpa
6. Asmens aizsargapvalks
7. Apstrādājamā detaļa
8. Garenzāģēšanas ierobežotājs
9. Zāģa leņķa regulēšanas kļoklis
10. Bloķēšanas kļoklis
11. Bloķēšanas lāpstiņa
12. Kļoklis virs bīdāmā atbalsta
13. Putekļu maisa pievienošana
14. Stīpuma leņķis
16. Vāks
17. Zāģripas skrūve
18. Atloks
19. Skrūve
20. Ar skrūvi ievielkama svira
21. Pagarinājuma gabali (pa kreisi un pa labi)
22. Zāģripas bloķēšanas poga
23. Leņķa indikators

2. DROŠĪBAS NORĀDĪJUMI

Izmantojot elektroinstrumentus, vienmēr jāievēro pamata drošības pasākumi, lai samazinātu ugunsgrēka risku. Elektrošoks un traumas. Pirms mēģināt darbināt elektroinstrumentu, vienmēr izlasiet konkrētā izstrādājuma instrukciju rokasgrāmatu un drošības instrukciju, un saglabājiet šos norādījumus.

Stacionāras iekārtas uzstādīšana

5. att.

Šī iekārta ir stacionāra iekārta un drošības apsvērumu dēļ tai vienmēr ir jābūt stingri uzstādītai, un tā nav izmantojama mobilos lietojumos. Iekārtu var uzstādīt divos veidos.

- a) Kā stacionāru iekārtu uz darbgalda.
Šajā gadījumā iekārtas jāpiestiprina ar 4 bultskrūvēm pie darbagalda
- b) Kā stacionāru iekārtu uz palīgrāmja. Šajā gadījumā iekārtai jābūt nostiprinātai ar 4 bultskrūvēm pie palīgrāmja, kas ar enkurskrūvēm piestiprināts grīdai vai grīdas plāksnei, kuras izmēri ir vismaz 1 kvadrātmeters

Simboli

Šie simboli ir svarīgi darbībām ar jūsu elektroinstrumentu. Pareiza simbolu interpretācija palīdzēs jums strādāt ar elektroinstrumentu vēl drošāk



Apzīmē ievainojuma, nāves vai instrumenta bojājuma risku, ja netiek ievēroti šajā rokasgrāmatā sniegtie norādījumi



Bīdīnājums! Elektriskās strāvas trieciena risks



Neļaujiet tuvumā atrasties nepiederošām personām



Nēsājiet aizsargbrilles



Nēsājiet ausu aizsargus. Trokšņa iedarbībā varat zaudēt dzirdi.



Valkājiet putekļu masku



Bīstamā zona! Turiet rokas tālu (10 cm) no zāģēšanas zonas, kamēr iekārta darbojas. Ievainojuma briesmas, ja nonāk saskarē ar zāģripu



Nevērsiet lāzera staru uz cilvēkiem vai dzīvniekiem, un pats neskatieties lāzera starā, ne pat no attāluma. Šis elektroinstrumenta izdala 2. klases lāzera starojumu atbilstoši EN 60825- 1. Tas var izraisīt personas aklumu



Diska izmēri. Ievērojiet zāģripas izmērus. Cauruma diametram jāatbilst sēžai uz instrumenta vārpstas bez spēles. Izmantojiet tikai starpredzenus, kurus norādījis piegādātājs, starpgredzeniem nedrīkst būt nekādas spēles*



Transportējiet iekārtu iekārtu tikai tad, kad iekārtu atrodas transportēšanas stāvoklī

1. Darba zonas drošība

- Rūpējieties, lai darba vieta būtu tīra un labi apgaismota. Pārlūvētas vai tumšas vietas veicina nelaimes gadījumus
- Nelietojiet elektroinstrumentu eksplozīvās vidēs, piemēram, uzliesmojošu šķidrumu, gāzu vai putekļu klātbūtnē. Elektroinstrumenti rada dzirksteles, kas var aizdedzināt viegli degošus putekļus vai tvaikus
- Turiet bērņus un nepiederības personas tālu prom, kamēr darbojaties ar elektroinstrumentu. Uzmanības novēršana var novest pie kontroles zaudēšanas, vai materiāls var strauji izdalīties apkārtējā vidē
- Nekad neatstājiet iekārtu bez uzraudzības, vispirms atvienojot to no elektrotīkla sprieguma

2. Personāla drošība

- Ja neesat pazīstams ar šādas iekārtas izmantošanu. Jums būtu labāk vispirms saņemt informāciju no profesionāla instruktora vai tehniķa
- Glabājiet nedarbojošos elektroinstrumentu bērniem nepieejamā vietā. Elektroinstrumenti kļūst bīstami neapmācītu lietotāju rokās
- Turiet elektroinstrumentu sausu, tīru un brīvu no eļļām un taukvielām. Pienācīgi uzturēts elektroinstrumenti ir drošāki, un tos ir vieglāk

kontrolēt. Tāukaini, eļļaini rokturi ir slideni un izraisa kontroles zaudēšanu

- Pārļiecinieties, ka jums vienmēr ir tīra un kārtīga darba vide. Jūs varat paslīdēt vai pakļupt
- Esiet uzmanīgs, skatieties, ko darāt, un izmantojiet veselo saprātu, kad strādājat ar elektroinstrumentu
- Nesniedzieties pārāk tālu. Saglabājiet visu laiku pareizu un stabili stāju. Tas ļauj labāk kontrolēt elektroinstrumentu neparedzētās situācijās
- Nestrādā ar iekārtu, ja esat alkohola, narkotiku vai medikamentu ietekmē. Neuzmanība, darbojoties ar elektroinstrumentiem, var radīt ļoti bīstamas traumas
- Vienmēr izmantojiet aizsarglīdzekļus. Vienmēr nēsājiet aizsargbrilles, putekļu masku, dzirdes aizsargus un drošības apavus. Strādājot ar iekārtu vai izejmateriāliem, lietojiet cimdus. Gādājiet, lai jūsu mati atrastos galvas aizmugures daļā. Samaziniet ar ievainojumiem saistītu izmaiņu iespējamību.
- Esiet uzmanīgi, zāģējot dubultleņķa savienojumus. Zāģripai, apstrādājamai detaļai un jūsu rokām zāģēšanas laikā jābūt vienmēr ir redzamām
- Nekad nezāģējiet vairāk nekā vienu apstrādājamo detaļu vienlaicīgi
- Pārļiecinieties, ka apstrādājamā detaļā nav nekādu naglu/skavu vai citu svešķermeņu
- Nekad nezāģējiet metāla vai akmens materiālus ar šo iekārtu
- Nestrādājiet ar materiālu, kas satur azbestu

3. Elektroinstrumenta drošība

Lietojot iekārtu pirmo reizi, un pēc tam katrā nākamajā reizē, kad tā tiek izmantota:



pirms veikt jebkuru darbu uz iekārtas, atvienojiet kontaktdakšu no elektrotīkla.

Vispārīgi: Pārbaudiet visu zāģa iekārtu. Ja iekārtai trūkst kāda daļa, iekārta ir saliekta, bojāta vai tā nefunkcionē jebkādā cita veidā, vai ja ir notikušas vai redzamas kādas mehāniskās un/vai elektriskās kļūmes, vai ja iekārtai ir ļoti skaļi trokšņi, skatiet lietošanas pamācību. Ja iekārtai tiek atklāti defekti, tie ir visi jānovērš, pirms iekārtu var atkal izmantot. Jāizmanto tikai oriģinālās rezerves daļas!

Ja jums ir stipras bažas, kas varētu ietekmēt jūsu vai iekārtas drošību, lūdzu, konsultējieties ar iekārtu piegādātāju.

Elektriskie

- a) Vienmēr izmantojiet oriģinālo strāvas kontaktdakšu, kas atbilst kontaktligzdai, neizmantojiet adaptera spraudni ar iezemētiem (sazemētiem) elektroinstrumentiem. Nemodificēti spraudņi un kontaktligzdas ļauj mazināt elektriskās strāvas trieciena risku
- b) Neizmantojiet iekārtu ar bojātu elektrības kabeli. Ja kabelis tiek sabojāts darba gaitā, neaiztieciot bojāto vadu un izvelciet kontaktdakšu. Bojāti kabeli palielina elektriskās strāvas trieciena risku
- c) Regulāri pārbaudiet kabeli un ir bojāts kabeli lieciet remontēt. Kabeļu vai spraudkontakta nomaiņa. Nekavējoties izmetiet veco kabeļus vai spraudkontaktus, kad tie ir aizstāti ar jaunajiem. Ir bīstami ievietot spraudkontaktu ar vaļīgu vadu sienas kontaktligzdā. Izmantojiet oriģinālos strāvas vadus un spraudkontaktus, remontējiet tikai ar pilnvarotas personas starpniecību, tas nodrošinās, ka tiek saglabāta elektroinstrumenta drošība!
- d) Lai novērstu elektriskos triecienus. Ievietojot kontaktdakšu kontaktligzdā, nekādā veidā nedrīkst pieskarties kontaktdakšas metāla tapām
- e) Nepakļaujiet elektroinstrumentu lietum vai slapiem apstākļiem. Ūdenim iekļūstot elektroinstrumentā, palielinās elektriskās strāvas trieciena risks
- f) Nekad nevelciet aiz vada, lai atvienotu kontaktdakšu no kontaktligzdas. Turiet vadu un kontaktdakšu attālu no eļļām, siltuma ietekmes un asiem priekšmetiem
- g) Darbinot elektroinstrumentu ārpus telpām, izmantojiet pagarinājuma kabeli, kas piemērots izmantošanai ārpus telpām. Izmantojot vadu, kas paredzēts izmantošanai ārpus telpām, samazinās elektrisko trieciena risks
- h) Ja iekārta ir aprīkota ar lāzeru. Nevērsiet lāzera staru uz cilvēkiem vai dzīvniekiem, un pats neskatieties lāzera starā, pat ne no attāluma. Pat ne no attāluma. Lāzerim jāatbilst EN 60825-1, 2. klasei.
- i) Lāzera remontu var veikt tikai lāzera izgatavotājs vai speciālists
- j) Ja elektroinstrumentu nākas ekspluatēt mitrā

vidē, ierīkojiet elektrobarošanu ar noplūdstrāvas aizsargierīci. Lietojot noplūdstrāvas aizsargierīci, mazinās elektriskās strāvas trieciena risks

Mehāniskie

- a) Pirms darbināt iekārtu, pārbaudiet, vai zāgripa ir brīvi rotē. Pārbaudiet katrā atšķirīgā zāga iekārtas stāvoklī, vai zāgripa griežas brīvi, ja zāgripa kaut kur pieskaras iekārtai, tā ir jānoregulē vai jāremontē.
- b) Nelietojiet elektroinstrumentu, ja slēdzis neizslēdzas un neieslēdzas. Elektroinstruments, ko nevar ieslēgt un izslēgt, ir bīstams, un to nepieciešams remontēt.
- c) Vienmēr izmantojiet zāga asmeņus ar pareizo izmēru un formu. Izmantojiet zāgripas, ko ieteicis ražotājs (EN-847-1). Asmeņi, kas neatbilst zāga montāžas aprīkojumam, darbosies ekscentriski, izraisot kontroles zudumu
- d) Nekad nelietojiet pārāk mazas vai pārāk lielas zāgripas. Tas ir ļoti bīstami
- e) Nekad nenonēmiem marķējumu no zāgripas. Tehniskai informācijai vienmēr jābūt redzamai, lai varētu veikt pareizo zāgripas izvēli, apmainoties ar zāgripu
- f) nostipriniet apstrādājamo detaļu. Vienmēr nostiprināšanas ierīcēm, tas ir drošāk nekā turēt ar rokām
- g) Nekad neatstājiet iekārtu, līdz tā nav pilnīgi apstājusies
- h) Nelietojiet ātrgriezētārauda zāgripas (HSS). Zāgripu var viegli salauzt
- i) Nekad neizmantojiet neasas, ielauztas, saliekas vai bojātas zāgripas. Pirms lietošanas izvelciet elektrotīkla kontaktdakšu un pārbaudiet zāgripu. Slikti uzasināti vai nepareizi uzstādīti asmeņi veido šauru iegriezumu, izraisot pārmērīgu berzi, asmeņa iestrēgšanu un atsienu. Nekavējoties nomainiet bojātās zāgripas, vienmēr izmantojot tikai oriģinālās paplāksnes, uzgriežņus un/vai skrūves.
- j) Pirms instrumenta ieslēgšanas izņemiet no tā regulēšanas atslēgu vai uzgriežņu atslēgu. Uzgriežņu atslēga vai regulēšanas atslēga, kas piestiprinātas elektroinstrumenta pa rotējošai daļai, var izraisīt savainojumus un ļoti bīstamu situāciju
- k) Uz zāgripas atzīmētā bultiņa norāda rotācijas virzienu. Jānorāda tajā pašā virzienā kā bulta, kas atzīmēta uz iekārtas, zāgripas zobiem zāga

- priekšpusē jābūt vēršiem uz leju
- l) Neaiztieciot zāgripu pēc darba, pirms tā nav atdzisusi. Zāgripa ļoti sakarst darba laikā
 - m) Aizsargājiet zāgripu no pārslodzēm un triecieniem. Nepielieciet zāgripai sānu spiedienu
 - n) Nepielietojiet elektroinstrumentam pārmērīgu spēku. Izmantojiet veicamajam darbam pareizo elektroinstrumentu. Elektroinstrumenta darbosies labāk un drošāk pie nominālās, apstiprinātās slodzes
 - o) Nekad nestāviet uz elektroinstrumenta. Nopietns kaitējums var rasties, ja elektroinstrumenta apgāžas. Vienmēr izmantojiet papildu atbalstu lielākai iekārtas stabilitātei
 - p) Mašīna ir aprīkota ar ierīcēm savienošanai ar putekļu atsūkšanas izvadū; nodrošiniet, lai tas tiktu pievienots un pareizi darbotos. Putekļu savākšana samazina ar putekļiem saistīto apdraudējumu
 - q) Uzturiet tīras iekārtas gaisa atveres. Putekļi ir regulāri jānotīra
 - r) Pārlicinieties, ka aizsargs darbojas pareizi, un tas var brīvi kustēties. Nekad nebloķējiet aizsargu, kad tas ir atvērtā stāvoklī
 - s) Nekad nenoņemiet zāgēšanas atlikumus no zāgēšanas zonas, iekārtai darbojoties. Vienmēr vadiet rīka sviru vispirms neitrālā pozīcijā, un pēc tam izslēdziet iekārtu
 - t) Virziet zāgripu pret apstrādājamo detaļu tikai tad, kad iekārta ir ieslēgta. Pretējā gadījumā pastāv atsitiena risks, kad zāgripa iesprūst apstrādājamo detaļā
 - u) Ja zāgripa ir iestrēgusi Izslēdziet iekārtu un turiet apstrādājamā detaļu līdz zāgripa pilnībā apstājas
 - v) Lai novērstu atsitieni. Lai novērstu atsitieni, apstrādājamā detaļu nedrīkst pārvietot, līdz iekārta ir pilnībā apstājusies. Izlabojiet zāgripas iestrēgšanas cēloni pirms restartēt iekārtu
 - w) Zāgējot profila sekcijas, apaļkokus vai citus gabalus, vienmēr piespiediet apstrādājamo detaļu pret atduri, tādējādi zāgēšanas laikā apstrādājamā detaļa nevar pagriezties vai pārvietoties.
 - x) Nekad nelietojiet iekārtu pārāk mazu detaļu zāgēšanai, jo tās nevar droši nostiprināt. Mazi koka gabaliņi vai citi objekti, kas nonāk saskarē ar rotējošo zāgripu, var ar lielu ātrumu skart operatoru vai citas personas
 - y) Zāgējot vienmēr izmantojiet papildu balstus

- z) Zāgējot lielus gabalus, kas nav atbalstīti. Izmantojiet papildu atbalstus
- aa) Nekad nepadariet brīdinājuma zīmes uz iekārtas neatpazīstamas. Tehniskā informācija vai iekārtu tipa informācijai jābūt vienmēr redzamai uz iekārtas.

Zāgēšanas procesa beigās, nolaidiet zāga galvu lejā, izslēdziet iekārtu un nogaidiet, kamēr visas kustīgās detaļas apstājas, pirms noņemat rokas no iekārtas.

3. MONTĀŽA UN PIEDERUMI

Leņķzāga uzstādīšana

- Novietojiet vienu sānu stieni (21) iekārtas labajā pusē, un otru sānu stieni iekārtas kreisajā pusē.
- Novietojiet darbgbala skavu (7) iekārtas kreisajā vai labajā pusē.
- Turiet rokturi un pārvietojiet zāgi nedaudz uz leju un pēc tam nedaudz izvelciet tapu (5) uz āru tā, lai zāģis kustētos uz augšu.

Piezīme: Nekad nelietojiet leņķzāgi bez komplektācijā iekļautajiem pagarinājuma gabaliem. Pārlicinieties, ka tie ir pareizi uzstādīti.

Bīdāmais ierobežotājs

2. att.

Drošības apsvērumu dēļ, šī iekārta ir aprīkota ar pārvietojamu virzošo ierobežotāju, ko lieto normālā un slīpā zāgēšanā.

- Normāliem taisniem šķērszāgējumiem un leņķzāgējumiem vienmēr pielāgojiet bīdāmo ierobežotāju (8) pret galu, un to labi nostipriniet, lai nodrošinātu apstrādājamai detaļai drošu atbalstu.
- Slīpai zāgēšanai noregulējiet bīdāmo ierobežotāju (8) piemērotā stāvoklī, pēc iespējas tuvu zāgripai, bet lai tas netraucētu zāgripas kustībai, un to nostipriniet.

Zāgripu nomaiņa

4.-5. att.



Izmantojiet tikai asas nebojātas zāgripas. Jums ir nekavējoties jānomaiņa nodrupušas vai saliekas zāgripas.

BĪSTAMI! Nelietojiet zāgripas, kas lielākas nekā norādītā zāga jauda. Tās var nonākt saskarē ar asmens aizsargu un radīt kaitējumu.

Nelietojiet pārāk biezu zāgripu, lai ļautu zāgripas ārējai paplāksnei novietoties uz vārpstas sēžas.

Bieža zāgripa neļaus skrūvei nostiprināt asmeni uz vārpstas.

Neizmantojiet šo zāgi metāla vai mūra zāgēšanai

- Atvienojiet iekārtu no strāvas padeves.
- Izņemiet skrūvi (20), kura tur asmens aizsargapvalka ievilkšanas sviru.
- Izņemiet skrūvi (19), lai noņemtu skrūvi-vāciņu, paceļot asmens vāku (6) augšup.
- Gan zāgripas skrūvei (17), gan atlokam (18) tagad jābūt redzamiem, kā parādīts 5. att.
- Nospiediet zāgripas bloķēšanas pogu (22). Pagrieziet zāgripu rūpīgi ar roku, līdz asmens nofiksējas vietā.
- Izmantojiet seškanšu atslēgu, lai noņemtu zāgripas skrūvi (17), to atbrīvojot pulksteņrādītāja virzienā.
- Noņemiet atloku (18) un zāga plati
- Nomainiet zāgripu, pārliecinoties, ka bulta, kas atzīmēta uz zāgripas, norāda tajā pašā virzienā kā bulta, kas atzīmēta uz iekārtas. Zāgripas zobiem jābūt vēršiem uz leju.
- Pievelciet zāgripas skrūvi (17), izmantojiet zāgripas bloķēšanas pogu (22), lai cieši pievilktu
- Nolaidiet asmens vāku (6), lai ļautu bulkskrūves vāciņam iekrist atpakaļ savā vietā, un pievelciet skrūvi (19)
- Piestipriniet ievilkšanas sviru atpakaļ uz asmens vāka (6), pievelkot skrūvi (20)
- Pagrieziet zāgripu un pārbaudiet, vai aizsargs darbojas brīvi

Zāgēšanas leņķa regulēšana

1.-2. att

Leņķzāgēšanas leņķu regulēšana

Leņķi var iestatīt starp 45° kreisajā pusē un 45° labajā pusē

- Atbrīvojiet bloķēšanas pogu (10)
- Nospiediet bloķēšanas lāpstiņu (11), un pagrieziet galda zāgi pa kreisi vai pa labi ar bloķēšanas pogu (10), līdz leņķa indikators (23) norāda nepieciešamo leņķi.
- Atbrīvojiet bloķēšanas lāpstiņu (11) un pievelciet bloķēšanas pogu (10)

Iepriekšējie iestatījumi (ātrie iestatījumi) šādiem grādiem: -45°, -30°, -22,5°, -15°, 0°, 15°, 22,5°, 30°, 45°.

- Nospiediet bloķēšanas lāpstiņu (11), pagriežot pamatplati, atlaidiet lāpstiņu pirms tā sasniedz pieprasītos grādus un plate ar "klikšķi" iekrīt iepriekš iestatītajā vietā.

Slīpuma leņķu regulēšana

1.-3. att.

Slīpuma leņķi var iestatīt starp 0° un 45°.

- Atbrīvojiet regulēšanas kloķi (9)
- Nolieciet zāgi ar rokturi, līdz leņķa indikators (14) norāda nepieciešamo leņķi.
- Pievelciet regulēšanas kloķi (9)

Ogles suku nomaiņa

2. att.

- Atvienojiet iekārtu no strāvas padeves
- Noskrūvējiet vāku (4).
- Nomainiet ogles suku ar tieša tāda paša tipa sukām
- Pievelciet no jauna vāku (4).

Piezīme. Vienmēr nomainiet abas ogles suku vienā reizē, nekad nekombinējiet vecās un jaunās suku lietošanu.

Putekļu maisiņa montāža

1. att.

Uzspiediet ar skavām uz putekļu maisiņa (13) un bīdīet to uz atveri iekārtas aizmugurē.

Putekļu maisiņš paliek savā vietā, kad jūs atbrīvojat skavu.

4. EKSPLUATĀCIJA

Leņķzāga lietošana

1. att.



Pirms lietošanas vienmēr pārbaudiet, vai nav atteices vai bojājumi?

- Uzstādiet iekārtai vēlamo zāgēšanas leņķi.
- Ievietojiet kontaktdakšu kontaktligzdā.
- Nostipriniet apstrādājamo detaļu vietā, izmantojot skavu (7): pārliecinieties, ka materiāls ir labi nostiprināts ar skavām vietā!
- Turiet materiālu cieši kreisajā pusē, vienlaikus pārliecinoties, ka saglabājat drošu attālumu līdz zāgripai.
- Lai ieslēgtu mašīnu, turiet nospiestu bloķēšanas pogu (3) un vienlaicīgi nospiediet ieslēgšanas/izslēgšanas slēdzi (1).
- Pārliecinieties, ka zāgripa ir sasniegusi

pilnu ātrumu, pirms ļaut tai saskarties ar apstrādājamo detaļu.

- Tagad pārvietojiet zāģi lēnām uz leju tā, ka zāģis iedzilīnās caur apstrādājamo detaļu un virzās pa spraugu galdā. Nepielietojiet nekādu spiedienu uz zāģi. Nogaidiet, līdz iekārtas zāģis iedzilīnās caur apstrādājamo detaļu.
- Paceliet uzmanīgi iekārtu atkal uz augšu un to izslēdziet, ļaujot slēdzim ieņemt izslēgtu stāvokli (1).

Bīdīšanas funkcijas izmantošana

1. att.



iekārtai jābūt stingri pieskrūvētai pie darbgalda.

Izmantojiet bīdīšanas funkciju platu apstrādājamo detaļu zāģēšanai šādi

- Nostipriniet apstrādājamo detaļu vietā, izmantojot skavu
- Atskrūvējiet kloķi (12)
- Bīdīiet iekārtu pilnīgi virzienā uz sevi
- Ieslēdziet iekārtu, izmantojot slēdzi
- Virziet zāģi lēnām uz leju, lai zāģripa zāģē caur apstrādājamo detaļu
- Spiediet iekārtu lēnām atpakaļ
- Paceliet uzmanīgi iekārtu atkal uz augšu un to izslēdziet, ļaujot slēdzim ieņemt izslēgtu stāvokli

Lāzera izmantošana

2. att.

- Lai ieslēgtu lāzeri, nospiediet ieslēgšanas/izslēgšanas slēdzi 2.
- Lai izslēgtu lāzeri, atlaidiet ieslēgšanas/izslēgšanas slēdzi 2.

Transportēšanas pozīcija

Pārvietojot zāģi, tam ir jābūt iekšupvērstā pozīcijā. Pārbaudiet visu fiksatoru un spriegotājierīču ciešumu.

- Leņķzāģēšanas leņķim jābūt 0°
- Slīpuma leņķim jābūt 0°
- Griežiet zāģa leņķa regulēšanas kloķi (9) pulksteņrādītāja virzienā, lai nofiksētu
- Bīdīiet iekārtu pilnīgi virzienā uz sevi
- Nobloķējiet bīdīšanas funkciju, griežot kloķi virs bīdāmā atbalsta (12) pulksteņrādītāja virzienā
- Atbrīvojiet fiksācijas tapu (5) iekārtas labajā pusē
- Spiediet iekārtu līdz galam uz leju
- Nofiksējiet fiksācijas tapu (5) iekārtas labajā pusē

Paceļot iekārtu, turiet to tikai zem cietās apakšmalas. Paceļot zāģi, neturiet to aiz slēdžu roktura

5. APKALPOŠANA UN APKOPE



Kad veicat jebkuru mehānisma apkopi, vienmēr pārliecinieties, ka iekārta nav pievienota elektrotīklam.

Slīdsliedes

Netīrumi var bojāt slīdsliedes un līdz ar to traucēt iekārtas darbībai.

- Regulāri notīriet slīdsliedes ar mīkstu drānu.
- Uzpilniet dažus pilienus smērēļļas uz slīdsliedēm
- Pārvietojiet leņķzāģi uz priekšu un atpakaļ tā, lai eļļa izplatās pa visu sliežu virsmu

Šīs iekārtas ir paredzētas funkcionēšanai ilgstošā laika periodā bez jebkādam problēmām, ar minimālu apkopi. Ar tīrot iekārtu regulāri un izmantojot to pareizā veidā, jūs varat veicināt ilgu iekārtas darbību.

Tīrīšana

Notīriet iekārtas korpusu ar mīkstu lupatiņu, regulāri; ieteicams, pēc katras ekspluatācijas reizes. Regulāri iztīriet putekļus un netīrumus no ventilācijas atverēm. Pielipušiem netīrumiem izmantojiet mīkstu drāniņu, kas samitrināta ar ziepju ūdeni. Nekad nelietojiet šķīdinātājus, piemēram, benzīnu, spirtu, amonjaka ūdeni, utt. Šie šķīdinātāji var sabojāt plastmasas daļas.

Problēmu novēršana

1. Motors neuzsāk darboties

- Spraudkontakts nav ievietots strāvas kontaktdakšā
- Strāvas vads ir bojāts
- slēdzis ir bojāts; Nogādājiet iekārtu izplatītājam, lai veiktu remontu.

2. Zāģējums nav gluds (robains)

- Zāģīpai ir jābūt uzasinātai
- Zāģripa ir uzstādīta ar aizmuguri uz priekšu
- Zāģripa ir pārklājusies ar sveķiem vai zāģu skaidām
- Zāģripa nav piemērota lietotajam apstrādājamam materiālam

3. Augstuma un/vai leņķzāģēšanas rokturis ir bloķēts

- Zāģskaidas un putekļi ir regulāri jānotīra

4. Motors ar grūtībām sasniedz pilnu ātrumu

- Pagarinājuma kabelis ir ar pārāk mazu šķērgriezuma laukumu un/vai pārāk garš
- Elektrotīkla spriegums ir zemāks nekā 230 V

5. Iekārta pārmērīgi vibrē

- Zāģripa ir bojāta

6. Mašīna kļūst pārāk karsta

- Ventilācijas atveres nosprostotas. Iztīrīt tās ar sausu drānu.

7. Elektromotors darbojas nevienmērīgi

- Nodilušas ogles sukas. Nomainiet ogles sukas vai konsultējieties ar savu izplatītāju.

Eļļošana

Iekārtai nav nepieciešama nekāda papildu eļļošana.

Bojājumi

Ja rodas kādi bojājumi, piemēram, pēc detaļu nodilšanas, lūzdu, sazinieties ar pārdevēju vai apkopes centru, kura adrese norādīta garantijas talonā. Šīs rokasgrāmatas aizmugurē atrodams izvērsts skats, kur parādītas detaļas, ko iespējams pasūtīt.

APKĀRTĒJĀ VIDE

Lai izvairītos no bojājumiem transportēšanas laikā iekārta ir piegādāta izturīgā iepakojumā. Iepakojums ir izgatavots no otrreiz pārstrādāta materiāla, ja vien iespējams, tāpēc izmantojiet iespēju pārstrādāt iepakojumu. Kad jūs nomaināt iekārtu, nogādājiet veco iekārtu savam vietējam izplatītājam. Šeit tas tiks apstrādāts videi draudzīgā veidā.



Bojātās un/vai norakstītās elektriskās un elektroniskās ierīces ir jānogādā uz pārstrādes stacijām, kas ir paredzētas šādam nolūkam.

Tikai EK valstīm

Neizmetiet elektroinstrumentus sadzīves atkritumos. Saskaņā ar Eiropas Direktīvu

2012/19/EK par elektrisko un elektronisko iekārtu atkritumiem un, īstenojot to saskaņā ar valsts tiesību aktiem, visi elektroinstrumenti, kam beidzies ekspluatācijas laiks, jāsavāc atsevišķi un jāpārstrādā videi nekaitīgā veidā.

GARANTIJA

Izlasiet garantijas nosacījumus atsevišķi piegādātā garantijas kartē.

Instrumentus var tikt pārveidots un lietošanas rokasgrāmatā var tikt izdarīti grozījumi.

Tehniskie dati var tikt mainīti bez iepriekšēja brīdinājuma.

RADYAL GÖNYE TESTERE MSM1039

Bu Ferm ürününü satın aldığınız için teşekkür ederiz. Bu sayede artık Avrupa'nın önde gelen sağlayıcılarından biri tarafından teslim edilen, mükemmel bir ürüne sahipsiniz. Ferm tarafından size teslim edilen bütün ürünler en yüksek performans ve güvenlik standartlarına göre üretilmiştir. Felsefemizin bir parçası olarak ayrıca kapsamlı garantimiz tarafından desteklenen mükemmel bir müşteri hizmeti sağlıyoruz. Umarız bu ürünü gelecek yıllar boyunca kullanmaktan zevk alırsınız.

Aşağıdaki metinde verilen numaralar sayfa 2-3'teki resimleri belirtmektedir.



Bu cihazı kullanmadan önce çalıştırma talimatlarını dikkatlice okuyun. Cihazın işlevlerini ve temel operasyonunu öğrenin. Her zaman uygun şekilde çalıştığından emin olmak için cihazı talimatlara göre çalıştırın. Çalışma talimatları ve eşlik eden belgeler cihazın yakınında tutulmalıdır

Kullanım amacı

Bu elektro alet, ahşap üzerinde düz uzunlamasına ve çapraz kesikler açma amaçlı sabit bir makine olarak tasarlanmıştır. -45° ila + 45° arası yatay gönyeli açılar ve -45° dikey eğim açıları mümkündür.



Bu testere sadece ahşap kesmek için tasarlanmıştır. Bu testereyi ağaç harici malzemeleri kesmek için kullanmayın.

1. MAKİNE BİLGİSİ

Teknik spesifikasyonlar

Şebeke voltajı	220-240V~, 50Hz
Kapasite	1500 W
Makine sınıfı	II (çift yalıtımlı)
Yüksüz hız	4500/dak
Testere bıçağı ölçümü	210x30x2,8mm
Gönye kesme açısı	45° (sol ve sağ)
Yiv açma açısı	45° (sadece sol)
Gönye testeresi maksimum kesme kapasitesi:	
Gönye 0°, Yiv 0°	70x305mm
Gönye 0°, Yiv 45°	35x305mm
Gönye 45°, Yiv 0°	70x210mm
Gönye 45°, Yiv 45°	35x210mm
Ağırlık	12kg
Lpa (akustik basınç)	93.6+3 dB(A)
Lwa (akustik güç)	106.6+3 dB(A)

Vibrasyon seviyesi

Bu talimat kılavuzunda belirtilen vibrasyon emisyon seviyesi EN62841-1'te verilen bir standart teste uygun olarak ölçülmüştür; bir aleti diğeriyle karşılaştırmak ve aleti bahsedilen uygulamalar için kullanırken vibrasyona maruz kalmanın ön değerlendirmesi olarak kullanılabilir

- aleti farklı uygulamalar veya farklı ya da kötü bakılan aksesuarlarla kullanmak, maruz kalma seviyesini büyük ölçüde artırabilir
- aletin kapalı olduğu veya çalışıp gerçekten işi yapmadığı zamanlar maruz kalma seviyesini büyük ölçüde düşürebilir

Aletin ve aksesuarların bakımını yaparak, ellerinizi sıcak tutarak ve çalışma düzenlerinizi organize ederek vibrasyonun etkilerine karşı kendinizi koruyun.

Özellikler

Şekiller. 1, 2, 3, 4 ve 5

1. Açma / kapama düğmesi
2. Lazer için açma/kapama düğmesi
3. Düğme kilidini
4. Karbon fırçası kapağı
5. Kilit pimi
6. Bıçak koruma kapağı
7. İş parçası kelepçesi
8. Kılavuz çit
9. Testere açısı ayarlama düğmesi
10. Kilitleme düğmesi
11. Kilitleme çarkı
12. Sürgülü destek üzerindeki düğme
13. Toz torbası bağlantısı
14. Yiv açısı
16. Kapak
17. Testere bıçağı civatası
18. Flans
19. Vida
20. Vida geri çekme kolu
21. Uzatma parçaları (sol ve sağ)
22. Testere bıçağı kilitleme düğmesi
23. Açı göstergesi

2. GÜVENLİK TALİMATLARI

Elektrikli aletleri kullanırken, yangın riskini azaltmak için temel güvenlik önlemlerini daima göz önünde bulundurun. Elektrik çarpması ve fiziksel yaralanma. Elektrikli el aletini kullanmaya

başlamadan önce daima ürüne özel kullanma kılavuzunu ve güvenlik talimatlarını okuyun ve bu talimatları saklayın.

Sabit bir makinenin kurulması.

Şekil 6

Bu makine sabit bir makinedir ve güvenlik nedenlerinden ötürü daima sıkı bir şekilde takılı olmalı ve mobil uygulamalar için kullanılmamalıdır. Makineyi iki şekilde kurabilirsiniz:

- Tezgah üzerinde sabit bir makine olarak.
Bu durumda makinenin tezgaha 4 cıvata ile sabitlenmelidir
- Bir alt çerçeve üzerinde sabit bir makine olarak. Bu durumda makine 4 cıvata ile alt çerçeveye sabitlenmeli ve alt çerçeve 4 cıvata ile taban plakasına en az 1 metre kare boyutlarında sabitlenmelidir

Semboller

Aşağıdaki semboller, elektrikli el aletinizin çalışması için önemlidir. Sembollerin doğru şekilde yorumlanması, elektrikli el aletinin daha doğru çalıştırılmasına yardımcı olur



Bu kılavuzdaki talimatlara uymama durumunda bedensel yaralanma, can kaybı veya alette hasar riskini belirtir



Dikkat, elektrik çarpması riski



İzleyicileri uzakta tutun



Göz koruyucu takın



Kulak koruyucu takın. Gürültüye maruz kalma işitme kaybına neden olabilir.



Bir toz maskesi takın



Tehlike Bölgesi! Makine çalışırken elinizi kesme alanından uzak tutun (10 cm). Testere bıçağıyla temas ettiğinizde yaralanma tehlikesi mevcuttur



Lazer ışığını insanlara veya hayvanlara doğrultmayın ve uzaktan bile olsa kesinlikle lazer ışına doğrudan bakmayın. Bu elektrikli el aleti, EN 60825-1 uyarınca lazer sınıfı 2 lazer ışını üretir. Bu durum, körlüğe neden olabilir



*Disk boyutları. Testere bıçağının boyutlarına dikkat edin. Delik çapı, takım miline yerinde oynamayacak şekilde uymalıdır. *Sadece tedarikçi tarafından belirtilen doldurma halkasını kullanın, doldurma halkasının herhangi şekilde oynamamalıdır*



Makineyi yalnızca makine nakliye pozisyonundayken taşıyın

1. Çalışma alanı güvenliği

- Çalışma alanını temiz ve aydınlık tutun. Dağınık veya karanlık bölgeler kazalara davetiye çıkarr
- Elektrikli aletleri, yanıcı sıvılar, gazlar ve tozların bulunduğu yerler gibi yanıcı ortamlarda çalıştırmayın. Elektrikli aletler, toz veya dumanları ateşleyebilecek kıvılcımlar üretir
- Bir elektrikli alet çalışırken, çocukları ve çevredekileri uzak tutun. Dikkat dağılması kontrolünüzü kaybetmenize neden olabilir veya materyal kapanabilir
- Makineyi asla ana elektrik bağlantısını kesmeden asla gözetimsiz olarak terk etmeyin.

2. Kişisel güvenlik

- Böyle bir makineyi kullanmaya aşına değilseniz. Önce bir profesyonel, eğitimci veya teknisyen tarafından eğitim görmeyen daha iyi olur
- Çalışmayan elektrikli aletleri çocukların ulaşamayacağı bir yerde saklayın. Elektrikli aletler, eğitimsiz kullanıcıların elinde tehlikelidir
- Elektrikli el aletlerini kuru, temiz ve yağdan arınmış şekilde muhafaza edin. Düzgün bakım yapılmış elektrikli el aletleri daha güvenlidir ve kontrol edilmesi daha kolaydır. Yağ tutma yerleri kaygan olduğundan kontrol kaybına neden olur
- Her zaman temiz ve düzenli bir çalışma ortamına sahip olduğunuzdan emin olun. Kayabilir veya takılabilirsiniz
- Elektrikli bir aleti kullanırken her zaman dikkatli olun, yaptığınız işe yoğunlaşın ve sağduyulu davranın

- f) Fazla uzanmayın. Ayaklarınızı daima sağlam ve dengeli basın. Böylece beklenmeyen durumlarda elektrikli aleti daha iyi kontrol edebilirsiniz
- g) Alkol, uyuşturucu veya ilaç etkisi altındayken bir makineyi çalıştırmayın. Elektrikli aletleri kullanırken dikkat kaybı ciddi fiziksel yaralanmayla sonuçlanabilir
- h) Daima koruyucu ekipman kullanın. Daima göz koruyucu, toz maskesi, işitme koruyucuları ve güvenlik ayakkabılarınızı giyin. Makinede veya işlenmemiş maddeye servis bakımı yaparken eldiven kullanın. Saçlarınızı arkanızda toplayın. Fiziksel yaralanma değişikliklerini azaltın
- i) Çift gönyeli bağlantıları keserken dikkat edin. Testere bıçağı, iş parçası ve elleriniz testereyle kesme işlemi sırasında daima görünür olmalıdır
- j) Asla birden fazla parçayı aynı anda kesmeye çalışmayın
- k) İş parçasının içinde herhangi bir tırnak/ zimba teli veya başka yabancı madde bulunmadığından emin olun
- l) Bu makineyle asla metal veya taş işlemeyin
- m) Asbest içeren malzemelerde çalışmayın

3. Elektrikli alet güvenliği

Makine ilk kez kullanıldığında ve sonradan kullanıldığı her seferinde:



Makine üzerinde herhangi bir çalışma yapmadan önce, elektrik fişini prizden çekin.

Genel: Tüm testereyi komple kontrol edin. Makinenin herhangi bir kısmı eksik, bükülmüş, hasar görmüş ya da başka bir şekilde işlevsizse ya da mekanik ve/veya elektriksel arızalar meydana geliyorsa ya da makineden aşırı derecede yüksek sesler çıkıyorsa, kullanım kılavuzuna bakın. Makinede herhangi bir hata tespit edilirse, makine kullanılmadan önce hepsi düzeltilmelidir. Sadece orijinal parçalar kullanılmalıdır! Kendinizin veya makinenizin güvenliğini etkileyebilecek kaygılarınız varsa lütfen makinenin tedarikçisine başvurun.

Elektriksel

- a) Her zaman prize uyan bir Orijinal fiş kullanın, topraklı (topraklamalı) elektrikli aletlerle bir adaptör fişi kullanmayın. Modifiye edilmemiş fişler ve buna uygun

- prizler, elektrik çarpma riskini azaltır
- b) Makineyi hasar görmüş bir elektrik kablosuyla kullanmayın. Hasarlı kabloya dokunmayın ve çalışırken kablo hasar gördüğünde elektrik fişini çekmeyin. Hasar görmüş kablolar elektrik çarpması riskini artırır
- c) Kabloyu düzenli olarak kontrol edin ve hasar görmüş bir kabloyu onarın. Kablo veya fişlerin değiştirilmesi. Yenileriyle değiştirildiği zaman, eski kabloları veya fişleri hemen atın. Gevşek bir kablunun fişinin duvar elektrik prizine takılması tehlikelidir. Orijinal güç kablosunu ve fişlerini, sadece yetkili bir kişi tarafından onarılması durumunda kullanın, bu, elektrikli el aletinin güvenliğinin muhafaza edilmesini sağlayacaktır!
- d) Elektrik çarpmalarını önlemek için. Fişi prize takarken metal pimlere asla, herhangi bir şekilde dokunulmamalıdır
- e) Elektrikli aletleri yağmura veya ıslaklığa maruz bırakmayın. Bir elektrikli alete su girmesi durumunda elektrik çarpma riski artacaktır
- f) Fişi prizden çıkartmak için asla kabloyu çekmeyin. Kabloyu ve fişi yağ, ısı ve keskin nesnelere uzak tutun
- g) Bir elektrikli aleti açık alanlarda kullanırken, açık alan kullanımına uygun bir uzatma kablosu kullanın. Açık alan kullanımına uygun bir kablo kullanıldığında, elektrik çarpma riski azalır
- h) Makine lazer ile donatılmışsa. Lazer ışığını insanlara lazer hayvanlara doğrultmayın ve kesinlikle lazer ışına doğrudan bakmayın. Uzaktan bile olsa. Lazer EN 60825-1 Sınıf 2'ye uygun olmalıdır.
- i) Bir lazerin onarımı ancak lazerin üreticisi veya bir uzman tarafından yapılabilir
- j) Bir elektrikli el aletini nemli bir yerde kullanmak kaçınılmazsa artık akım cihazı (RCD) korumalı bir besleme kullanın. Bir RCD kullanımı elektrik çarpması riskini azaltır

Mekanik

- a) Makineyi çalıştırmadan önce testere bıçağının serbestçe dönüp dönmediğini kontrol edin. Testere bıçağının serbestçe dönüp dönmediğini testere makinesinin her farklı konumunda kontrol edin, testere bıçağı herhangi bir şeye dokunuyorsa makine ayarlanmalı veya onarılmalıdır.
- b) Tetik açılmasını ve kapanmasını sağlamıyorsa elektrikli aleti kullanmayın. Düşmeyle kontrol

edilemeyen bir elektrikli alet tehlikelidir ve tamir edilmesi gerekir.

- c) Her zaman doğru boyut ve şekle sahip testere bıçakları kullanın. Üreticinin önerdiği testere bıçaklarını kullanın (EN-847-1). Testerenin montaj donanımına uygun olmayan bıçaklar düzensiz çalışır ve kontrol kaybına neden olur.
- d) Asla çok küçük veya büyük testere bıçakları kullanmayın. Bu, son derece tehlikelidir
- e) Testere bıçağındaki işaretlemeyi asla sökmeyin. Testere bıçağını değiştirirken doğru teknik seçimler için teknik bilgiler her zaman görünür olmalıdır
- f) İş parçasını sabitleyin. İş parçasını sıkıştırma aletleriyle sabitleyin, bu yöntem elle sabitlemeye göre çok daha güvenlidir
- g) Makineyi asla tamamen durdurmadan terk etmeyin
- h) Yüksek hızlı çelik testere bıçaklarını (HSS) kullanmayın. Testere bıçağı kolayca kırılabilir
- i) Körelmiş, kırık, eğilmiş veya hasarlı testere bıçaklarını kullanmayın. Kullanmadan önce fişini çekin ve testere bıçağını kontrol edin. Hasarlı veya bileylenmemiş bıçaklar dar yarıklara, aşırı sürtünmeye, bıçak yapışmasına ve geri tepmeye yol açarlar. Hasar görmüş testere bıçaklarını hemen değiştirin, daima orijinal cıvata, somun ve/veya cıvataları kullanın.
- j) Elektrikli aleti çalıştırmadan önce her türlü ayar anahtarlarını üzerinden alın. Elektrikli aletin dönen bir parçasında kalan bir anahtar, fiziksel yaralanmalara ve tehlikeli durumlara neden olabilir
- k) Testere bıçağında dönme yönünü gösteren ok işareti bulunur. Bu ok, makinede işaretlenmiş okla aynı yöne gelmelidir, testere bıçağının dişleri testerenin önünde aşağıya doğru bakıyor olmalıdır
- l) İş bittikten sonra, iş parçası soğumadan testere bıçağına dokunmayın. Testere bıçağı çalışırken çok ısınır
- m) Testere bıçağını darbelerden ve şoklardan koruyun. Testere bıçağına yandan basınç uygulamayın
- n) Elektrikli aleti zorlamayın. Uygulamanız için doğru elektrikli aleti kullanın. Doğru elektrikli alet, üretildiği amaca uygun olarak işi daha iyi ve güvenli şekilde yapacaktır
- o) Asla elektrikli el aletin üzerinde durmayın. Elektrikli alet devrildiğinde ciddi yaralanmalar meydana gelebilir. Makinenin daha dengeli

- olması için daima ilave destek kullanın
- p) Makine, toz emme bağlantısı için cihazlarla donatılmıştır, bunların bağlandığından ve doğru şekilde kullanıldığından emin olun. Toz toplama toz ile ilgili tehlikeleri azaltır
- q) Makinedeki hava çıkışlarına dikkat edin. Buradaki toz temizlenmelidir.
- r) Siperin düzgün çalıştığından ve serbestçe hareket edebildiğinden emin olun. Siperi asla açıkken yerine kilitlemeyin
- s) Kesme işleminin kalıntılarını kesinlikle makine çalışırken testere alanından temizlemeyin. Önce alet kolunu daima nötr konuma getirin ve ardından makineyi kapatın
- t) Testere bıçağını yalnızca makine açık olduğu zaman iş parçasına yöneltilin. Aksi halde, testere bıçağı iş parçasında sıkıştığında geri tepme riski bulunur
- u) Testere bıçağı yerinde sıkışırsa. Makineyi kapatın ve testere bıçağı tamamen durana kadar iş parçasını tutun
- v) Bir geri tepmeyi önlemek için. İş parçası makine tam olarak durmadığı sürece yerinden taşınmaz. Makineyi yeniden çalıştırmadan önce testere bıçağının sıkışma nedenini ortadan kaldırın
- w) Profil bölümlerini, yuvarlak parçaları veya benzeri diğer parçaları keserken, iş parçasını her zaman dayanma noktasına bastırın ve hareket ettirmeyin, böylece kesme sırasında eğilmez, dönmez ya da hareket etmez.
- x) Makineyi, asla güvenli bir şekilde sabitlenemeyen küçük parçaları kesmek için kullanmayın. Dönen testere bıçağıyla temas eden küçük ahşap parçalar veya benzeri nesnelere, yüksek hızla operatöre veya etraftakilere fırlayabilir
- y) Kesme işlemi yapılırken daima ilave destekleri kullanın
- z) Desteklenmeyen büyük parçaların kesiminde. İlave destekler kullanın
- aa) Makine üzerinde uyarı işaretleri asla okunamaz hale getirilmemelidir. Teknik bilgi veya makine tipi bilgileri her zaman makinede görünür olmalıdır.

Testereyle kesme işleminin sonunda, testere kafasını aşağıya doğru tutun, makineyi kapatın ve elinizi makinenizden çekmeden önce tüm hareketli parçalar durana kadar bekleyin.

3. MONTAJ VE AKSESUARLAR

Gönye testerenin kurulumu

- Bir kenar çubuğunu (21) makinenin sağ tarafına ve diğer kenar çubuğunu makinenin sol tarafına yerleştirin.
- İş parçası kelepçesini (7) makinenin sol veya sağ tarafına yerleştirin.
- Tutamaktan tutun ve testereyi hafifçe aşağıya doğru hareket ettirin, ardından testerenin yukarıya doğru hareket etmesi için pimi (5) biraz dışarı çekin.

Not: Gönye testereyi kesinlikle aletle verilen uzatma parçaları olmadan kullanmayın. Bu parçaların doğru şekilde monte edildiğinden emin olun.

Sürgülü çit

Şekil 2

Güvenlik nedenlerinden ötürü, bu makine normal ve yivli kesimde kullanılmak üzere hareketli bir kılavuz çit ile donatılmıştır.

- Normal düz çapraz kesimler ve gönyeli kesimler için daima sürgülü çiti (8) sonuna kadar ayarlayın ve iş parçası için emniyet desteği sağlamak üzere iyice sabitleyin.
- Eğimli kesikler için sürgülü çitleri (8) testere bıçağı yüzeyine yakın uygun bir konuma getirin, ancak testere bıçağının hareketine müdahale etmeyin ve iyice sabitlenmesini sağlayın.

Testere bıçaklarının değiştirilmesi

Şekil 4 ve 5



Sadece keskin ve hasar görmemiş testere bıçaklarını kullanın. Kırılmış veya kıvrılmış testere bıçaklarını anında değiştirmelisiniz.

TEHLİKE: Belirtilen testere kapasitesinden daha büyük bıçak kullanmayın. Bıçak, sipere temas edebilir ve hasara neden olabilir.

Dış bıçak rondelasının mildeki dairelerle uyuşması için çok kalın bir bıçak kullanmayın. Bu, bıçak vidasının bıçağı mil üzerinde sabitlemesini önleyecektir.

Bu testereyi, metal veya taş kesmek için kullanmayın

- Makinenin elektrik bağlantısını kesin.
- Geri çekme kolunu bıçak kapağına tutan vidayı

(20) sökün.

- Bıçak kapağını (6) yukarı kaldırarak cıvata kapağını çıkarmak için vidayı (19) sökün.
- Testere bıçağı cıvatası (17) ve Flanş (18) Şekil 5'te gösterildiği gibi görünür olmalıdır.
- Testere bıçağı kilitleme düğmesine basın (22) Testere bıçağını bıçak kilitlemeye kadar elle dikkatlice döndürün.
- Testere bıçağı cıvatasını (17) saat yönünde gevşeterek çıkarmak için altıgen anahtar kullanın.
- Flanşı (18) ve testere bıçağını çıkartın
- Testere bıçağında işaretlenmiş okun makinenin üzerinde gösterilen okla aynı yönde gelmesini sağlayarak testere bıçağını değiştirin. Testere bıçağı dişleri aşağı bakmalıdır.
- Testere bıçağı cıvatasını (17) sıkıca sabitlemek için, testere bıçağı kilitleme düğmesini (22) kullanın
- Bijon kapağının yerine oturması için bıçak kapağını (6) indirin ve vidayı (19) sıkın
- Vidayı (20) sıkarak geri çekme kolunu bıçak kapağına (6) geri takın
- Testere bıçağını döndürün ve siperin serbestçe hareket edip etmediğini kontrol edin

Kesim açısı ayarı

Şekil 1-2.

Gönye Açılarının Ayarı

Gönye açısı 45° sol taraf ile 45° sağ taraf arasında ayarlanabilir

- Kilitleme düğmesini (10) gevşetin
- Kilitleme çarkına (11) bastırın ve açılı göstergesi (23) istenilen açıyı gösterene kadar, kilitleme düğmesini (10) kullanmak suretiyle testere tezgahını sola veya sağa çevirin.
- Kilitleme çarkını (11) serbest bırakın ve kilitleme düğmesini (10) sıkın

Önceden ayarlar (hızlı ayarlar) aşağıdaki derecelerde: -45°, -30°, -22,5°, -15°, 0°, 15°, 22,5°, 30°, 45°.

- Taban plakasını döndürürken kilitleme çarkına (11) basın, istenen dereceye ulaşmadan önce çarkı serbest bırakın ve plakayı kendi başına ön ayara "tık" ile getirin.

Yiv Açılarının Ayarı

Şekil 1 ve 3

Yiv açısı 0° ve 45° arasında ayarlanabilir.

- Ayar düğmesini (9) gevşetin
- Açılı göstergesi (14) gerekli açıyı belirtene kadar

- tutamağı kullanmak suretiyle testereyi eğin.
- Ayar düğmesini (9) sıkın

Karbon fırçaların değişimi

Şekil 2

- Makinenin elektrik bağlantısını kesin
- Karbon fırçası kapağı (4) sökün.
- Karbon fırçaları doğru tip fırçayla değiştirin
- Karbon fırçası kapağı (4) tekrar sıkın.

Not: Her iki karbon fırçayı daima aynı anda değiştirin, asla eski ve yeni fırçaları birlikte kullanmayın.

Toz torbasının monte edilmesi

Şekil 1

Toz torbasının (13) kelepçesine bastırın ve makinenin arkasındaki boşluğa kaydırın. Kelepçeyi bıraktığınızda toz torbası yerine oturur.

4. ÇALIŞTIRMA

Gönye testerenin kullanımı

Şekil 1



Kullanmadan önce arızaları veya kusurları daima kontrol edin!

- Makinenin istenen testere açısını ayarlayın.
- Fişi prize takın.
- Kelepçeyi (7) kullanarak iş parçasını yerinde sabitleyin: malzemenin yerine iyi oturduğundan emin olun!
- Testere bıçağına göre güvenli bir mesafede durduğunuzdan emin olarak malzemeyi sol tarafta sıkıca tutun.
- Makineyi çalıştırmak için, Düğme kilidini (3) basılı tutun ve açma / kapama düğmesine (1) basın.
- Kesilecek iş parçasına temas etmeden önce testere bıçağının tam hıza ulaştığından emin olun.
- Şimdi, testere bıçağını iş parçası boyunca testereye sokacak ve tezgahdaki yuvadan geçecek şekilde yavaşça aşağı doğru çekin. Testereye herhangi bir baskı uygulamayın. İş parçasını kesebilmesi için makineye zaman verin.
- Makineyi hafifçe yukarı kaldırın ve düğmeye (1) basmayı bırakarak kapatın.

Kaydırma fonksiyonunun kullanılması

Şekil 1



Makine, bir tezgaha sıkıca sabitlenmiş olmalıdır.

Geniş iş parçalarının kesmek için kaydırma fonksiyonunu kullanın:

- Kelepçe kullanarak iş parçasını yerine sabitleyin
- Düğmeyi (12) gevşetin
- Makineyi kendinize doğru tamamen kaydırın
- Düğmeyi kullanarak makineyi çalıştırın
- İş parçasını keserken testere bıçağını hafifçe aşağıya doğru çekin
- Makineyi yavaşça geriye doğru itin
- Makineyi hafifçe yukarı kaldırın ve düğmeye basmayı bırakarak kapatın

Lazerin kullanılması

Şekil 2

- Lazeri çalıştırmak için açma/kapama düğmesine 2 basın.
- Lazeri kapatmak için açma/kapama düğmesini 2 bırakın.

Taşıma konumu

Testereyi taşırken, testerenin içeri doğru konumda olduğundan emin olun. Tüm kilitlerin ve germe donanımlarının emniyetli olup olmadığını kontrol edin:

- Gönye açısının 0°'ye ayarlandığından emin olun
- Eğim açısının 0°'ye ayarlandığından emin olun
- Testere kesim açısını ayarlayan düğmeyi (9) saat yönünde döndürerek kilitleyin
- Makineyi kendinize doğru tamamen kaydırın
- Düğmeyi kayan destek (12) üzerinden saat yönünde döndürerek kaydırma fonksiyonunu kilitleyin
- Makinenin sağ tarafındaki Kilitleme pimini (5) açın
- Makineyi tamamen aşağı doğru itin
- Makinenin sağ tarafındaki Kilitleme pimini (5) kilitleyin

Makineyi yalnızca makinenin sert alt tarafı ile kaldırın. Testereyi anahtar kol ile kaldırmayın

5. SERVİS VE BAKIM



Mekanizmada bakım yaparken makine fişinin prize bağlı olmadığından daima emin olun.

Sürgülü raylar

Kir, sürgülü raylara ve dolayısıyla makinenin çalışmasına zarar verebilir.

- Sürgülü rayları yumuşak bir bezle düzenli olarak temizleyin.
- Sürgülü rayların üzerine biraz yağ dökün
- Gönye testereyi ileri ve geri hareket ettirin, böylece yağ tüm rayların üzerine yayılır

Bu makineler, minimum bakımla uzun süre herhangi bir sorun yaşamadan çalışacak şekilde tasarlanmıştır. Makineyi düzenli olarak temizleyip doğru şekilde kullanırsanız, makinenizin uzun ömürlü olmasına katkıda bulunabilirsiniz.

Temizleme

Makine gövdesini yumuşak bir bezle, tercihen makinenin her kullanımından sonra düzenli olarak temizleyin. Havalandırma deliklerinde toz ve kir bulunmadığından emin olun. İnatçı lekeler için sabunlu suyla nemlendirilmiş yumuşak bir bez kullanın. Asla benzin, alkol, amonyaklı su vs. kullanmayın. Bu tür çözücüler plastik parçalara zarar verebilir.

Problem çözme

1. Motor çalışmıyor

- Fiş prize takılmamış
- Elektrik kablosu hasarlı
- Düğme arızalı. Makineyi onarım için bayinize götürün.

2. Testere kesimi düzgün değil (pürüzlü)

- Testere bıçağı bilenmelidir
- Testere bıçağı arkadan ön tarafa monte edilmiştir
- Testere bıçağı reçine veya talaş ile tıkanmıştır
- Testere bıçağı, kullanılan iş parçası için uygun değildir

3. Yükseklik ve/veya gönye kolu engellenmiş

- Talaşlar ve/veya tozlar temizlenmelidir

4. Motor tam hıza ulaşmada güçlük çekiyor

- Uzatma kablosu çok ince ve/veya çok uzun
- Şebeke voltajı 230 V'den düşük

5. Makine aşırı titreşiyor

- Testere bıçağı hasarlıdır

6. Makine aşırı ısınıyor

- Havalandırma delikleri tıkalıdır. Bu delikleri kuru bir bezle temizleyin.

7. Elektromotor düzensiz çalışıyor

- Karbon fırçaları aşınmıştır. Karbon fırçaları değiştirin veya bayinize danışın.

Yağlama

Makine herhangi bir ilave yağlamaya ihtiyaç duymaz.

Arızalar

Bir arıza meydana gelirse, örneğin bir parçanın yıpranmasından sonra, lütfen garanti kartı üzerindeki servis adresiyle iletişime geçin. Bu kılavuzun arkasında, sipariş edilebilecek parçaları gösteren bir parça şemasını bulacaksınız.

ÇEVRE

Nakliye esnasında oluşabilecek hasarı önlemek için makine sağlam bir ambalajda teslim edilir. Ambalaj mümkün olduğunca geri dönüşümlü malzemeden yapılmıştır, bu nedenle ambalajın geri dönüşüm olasılığını göz önünde bulundurun. Bir makineyi değiştirirken, eskisini yerel bayinize götürün. Burada o makine çevreye duyarlı bir şekilde ele alınır.



Hasarlı elektrikli veya elektronik cihazların imhası, bu amaçla tasarlanmış olan geri dönüşüm merkezlerinde yapılmalıdır.

Yalnızca AT ülkeleri için

Elektrikli aletleri evsel atık olarak atmayın. Atık Elektrikli ve Elektronik Donanım için Avrupa İlkeleri 2012/19/EC'ye ve bunun yerel hukuk çerçevesinde uygulamasına göre, artık kullanılamaz olan elektrikli aletler ayrı olarak toplanmalı ve çevreye duyarlı bir şekilde imha edilmelidir.

GARANTI

Garanti koşulları ayrı olarak eklenmiş garanti kartı üzerinde bulunabilir.

Ürün ve kullanıcı kılavuzu değişikliğe tabidir. Spesifikasyonlar başka bir uyarı olmaksızın değiştirilebilir.

ПОТЕЗНА ПИЛА ЗА КОСО СЕЧЕЊЕ MSM1039

Благодариме за купувањето на овој FERM производ. Со тоа имате одличен производ, испорачан од еден од водечките добавувачи во Европа. Сите производи доставени од страна на FERM се произведени според највисоките стандарди на перформанси и безбедност. Како дел од нашата филозофија обезбедуваме одлична услуга за клиентите, со врвна сеопфатна гаранција. Се надеваме дека ќе уживате користејќи го овој производ многу наредни години.

Броевите во текстот се однесуваат на дијаграмите на стр. 2-3



Внимателно прочитајте ги упатствата за работа пред да го користите уредот. Запознајте се со функциите и основните операции. Сервисирајте го уредот според инструкциите, за да се осигурате дека секогаш правилно ќе функционира. Упатствата за ракување и придружната документација треба да се чуваат во близина на уредот.

Намена

Електричниот алат е наменет, како стационарна машина, за надолжно и попречно сечење во дрво. Можни се хоризонтални коси агли од -45° до $+45^\circ$ како и вертикални наклонети агли од -45° .



Оваа пила е наменета само за сечење на дрво. Не ја користете пилата за да исечете други материјали освен дрвото.

1. ИНФОРМАЦИЈА ЗА МАШИНАТА

Технички карактеристики

Мрежен напон	220-240V~, 50Hz
Капацитет	1500W
Класа на заштита	II (двојна изолација)
Брзина без оптеретување	4.500/min
Мери на листот за пила	210x30x2.8mm
Агол за косо сечење	45° (лево и десно)

Агол на наклон	45° (само лево)
Мах. капацитет на косо сечење:	
Косо 0°, под наклон 0°	70x305mm
Косо 0°, Под наклон 45°	35x305mm
Косо 45°, Под наклон 0°	70x210mm
Косо 45°, под наклон 45°	35x210mm
Тежина	12 kg
L _{pa} (ниво на звучен притисок)	93.6+3 dB(A)
L _{wa} (акустична моќност)	106.6+3 dB(A)

Ниво на вибрации

Нивото на емисијата на вибрациите, наведено во упатството, е измерено во согласност со стандардизиран тест даден во EN62841-1; тој може да се користи за споредување на еден алат со друг како и за прелиминарна процена на изложеност на вибрации при користење на алатот во споменатите апликации

- користењето на алатот за различни апликации или со различни или слабо одржуван прибор, може значително да го зголеми нивото на изложеност
- времето кога алатот е исклучен или кога работи, но не ја врши работата, може значително да го намали нивото на изложеност.

Заштитете се од ефектите на вибрациите со одржување на алатот и приборот, рацете да ви бидат топли и организирајте ги работните навики.

Карактеристики

Слики 1, 2, 3, 4 и 5

1. Оп/оф прекинувач
2. Оп/оф прекинувач за ласер
3. Копче за деблокирање
4. Капак за јаглени четкички
5. Забравна чивија
6. Заштитен капак за листот
7. Стега за работно паче
8. Граничник за косо сечење
9. Рачка за дотерување на агол на сечење
10. Рачка за забравување
11. Папуча за забравување
12. Вртлива рачка преку лузгачкиот потпирач
13. Приклучок за вреќа за прашина
14. Агол на наклон
16. Капак
17. Завртка за лист за пила
18. Прирабница
19. Завртка

20. Навоен контра лост
21. Продолжетоци (лево и десно)
22. Копче за забравување на листот
23. Индикатор за агол

2. БЕЗБЕДНОСНИ УПАТСТВА

Кога се користат електрични алати, потребно е да се запазат основните насоки за безбедност, за да се избегнат опасности од пожар, електричен удар и повреди. Прочитајте ги посебните упатства за производот и упатствата за безбедност, пред да работите со електричниот алат и чувајте ги упатствата.

Поставување на стационарна машина

Сл. 6

Ова е стационарна машина и од безбедносни причини мора да биде цврсто поставена и да не се користи за мобилни изведби.

Можете да ја поставите на два начина:

- a) Како стационарна, врз работна маса. Во тој случај машината мора да се обезбеди врз масата со 4 завртки.
- b) Како стационарна, врз шасија. Во овој случај машината мора да биде обезбедена врз шасијата со 4 завртки, а шасијата со 4 анкерисани завртки врз подна плоча, со димензии најмалку од 1 м2.

Симболи

Следните симболи се важни за ракување со електричниот алат. Исправната интерпретација на символите ви помага многу сигурно да го користите алатот.



Означува опасност од лични повреди, губење на живот или оштетување на алатот во случај на непочитување на упатствата во овој прирачник.



Внимание, ризик од струен удар.



Присутните лица да стојат подалеку



Носете заштита за очите



Носете заштита за ушите. Изложувањето на бучава го оштетува слухот.



Носете маска за заштита од прашина.



Опасна област! Држете ги рацете подалеку (10cm) од резната област додека работи машината. Опасност од повреди ако го допрете листот.



Не го насочувајте ласерскиот зрак во лица или животни и не стоите во него, дури ни на растојание. Овој електричен алат произведува зрак од 2 класа на ласерско зрачење, во согласност со EN 608251. Ова може да предизвика слепило.



*Мери на дискот. Проверете ги димензиите на листот. Насадниот отвор мора да одговара на вретеното на алатот, кој не смее да игра. *Користете нагоден прстен, дефиниран од испорачателот, нагодниот прстен не може да има зјај.*



Транспортирајте ја машината само кога е во положба за транспорт.

1. Безбедност на работниот простор

- Работниот простор да е чист и добро осветлен. Несредено или темно работно место е причина за несреќи.
- Не работете со алатот во експлозивна атмосфера, во присуство на запаливи течности, гасови или прашина. Електричните алати создаваат искри кои можат да ја запалат прашината или пареата
- Деца и присутни лица да бидат подалеку додека алатот работи. Одвлекување на вниманието може да предизвика губење на контрола или одлетување на материјалот
- Никога не ја оставајте машината без надзор, без претходно да го извлечете кабелот од струја.

2. Лична безбедност

- Ако не сте запознаени со ракување со машината. Подобро е да се информирате кај

- професионален инструктор или техничар.
- Складирајте го електричниот алат надвор од дофат на деца. Електричните алати се опасни во рацете на необучени корисници.
- Чувајте го алатот сув, чист и без масло и маст. Соодветно одржувани алати се посигурни и полесно се контролираат. Мрсните дршки се лизгави и може да се изгуби контрола.
- Секогаш да имате чиста и уредна работната средина. Би можеле да се лизнете или да се удриете.
- Бидете внимателни, внимавајте што работите и бидете претпазливи кога работите со електричниот алат.
- Не се преценувајте. Одржувајте сигурна подлога и рамнотежа. На тој начин ќе имате подобра контрола врз алатот при неочекувани ситуации.
- Не работете со машината под дејство на алкохол, дрога или лекови. Невнимание за време на работа, може да предизвика сериозни повреди.
- Секогаш носете опрема за лична заштитна. Секогаш носете заштитни очила, маска за прашина, антифони и заштитни чевли. При работа околу сервисирање или со суровини, користете ракавици. Држете ја косата назад. Намалување на можности за повреди.
- Внимавајте кога сечете двојни коси слоеви. Листот, работното парче и рацете секогаш да бидат видливи за време на сечењето.
- Никога не сечете повеќе од едно парче во исто време.
- Осигурајте се дека парчето нема шајки/спајалки или страни предмети во него.
- Со оваа машина никогаш да не обработувате метал или камен.
- Не обработувајте материјали кои содржат азбест.

3. Предупредувања за безбедност за електричен алат

Кога се користи машината првпат и при секоја наредна употреба:



Пред било каква работа околу машината, извлечете го кабелот од струја.

Општо: Проверете ја внатрешноста на пилата. Ако недостасува било кој дел, ако е изабен, оштетен или е нефункционален на друг начин или ако има видливи механички и/или електрични дефекти или ако машината прави силна бучава, погледнете во упатството. Ако откриете било каков дефект, треба да го отклоните, пред повторно да ја користите машината.

Користете само оригинални делови!

Ако имате било какви проблеми кои можат да влијаат врз вашата или безбедноста на машината, консултирајте се со добавувачот на машината.

Електрична

- a) Секогаш користете оригинален приклучок, кој се совпаѓа со приклучницата, не користете адаптер со заземјен алат. Неизменети приклучоци и соодветни приклучници го намалуваат ризикот од струен удар.
- b) Не ја користете машината со оштетен кабел. Не го допирајте оштетениот кабел и извлекете го од струја ако се оштети за време на работа. Оштетени кабли го зголемуваат ризикот од електричен удар.
- c) Редовно проверувајте го кабелот и ако е оштетен поправете го. Замена на кабли или приклучници Веднаш да ги фрлите старите кабли или приклучници, кога ќе ги замените со нови. Опасно е да ја вклучите приклучницата ако кабелот е лабав. Користење на оригинални кабли и приклучоци, поправање само кај овластено лице, обезбедува безбедност на електричниот алат!
- d) За да се спречи електричен удар. Кога приклучницата ја приклучувате во струја, металните приклучоци никако не смеат да се допрат.
- e) Не го изложувајте електричниот алат на дожд или во влажна средина. Вода која навлегла во алатот го зголемува ризикот од струен удар.
- f) Никогаш не влечете за кабелот за да го исклучите од струја. Чувајте го кабелот и приклучокот од масло, топлина и остри предмети.
- g) Кога електричниот алат работи на отворено, користете продолжен кабел за работа на отворено. Со користење на кабел за работа

на отворено се намалува ризикот од струен удар.

- h) Кога машината е опремена со ласер. Не го насочувајте ласерскиот зрак во лица или животни и не стоите во него. Дури ни оддалеку. Ласерот мора да биде во согласност со EN 60825-1, класа 2.
- i) Поправањето на ласерот може да го врши само производителот или специјалист.
- j) Ако не може да се избегне работење со електричниот алат во влажна средина, користете резидуален моментен уред (RCD). Користење на RCD го намалува ризикот од струен удар.

Механичка

- a) Пред стартување на машината, проверете го листот, дали се врти слободно. Во различни положби на машината проверете го листот, дали се врти слободно, ако допира некаде, машината мора да се дотерува или да се поправи.
- b) Немојте да го користите алатот ако прекинувачот не е исправен. Електричен алат, кој неможе да се контролира со помош на прекинувачот е опасен и мора да се поправи.
- c) Секогаш користете листови со точна големина и облик. Користете листови препорачани од производителот (EN-847-1). Листови кои не се совпаѓаат со монтажните делови на пилата ќе работат ексцентрично, предизвикувајќи губење на контрола. Купувајте само листови со соодветен број на вртежи, од најмалку 4500 врт/min.
- d) Не користете премали или преголеми листови. Тоа е многу опасно.
- e) Не ги вадете ознаките од листот. Техничките информации секогаш да бидат видливи, за да се направи вистински избор при измена на листот.
- f) Стегнете го работното парче. Парчето стегајте го со стеги, ова е многу побезбедно отколку со рака.
- g) Не ја одложувајте машината пред целосно да се сопне.
- h) Не користете пили од брзорезен челик (HSS). Листот може лесно да се скрши.
- i) Никогаш не користете истапени, испукани, свиткани или оштетени листови. Пред користење извлекете го кабелот од струја и проверете го листот. Оштетените или

истапените листови произведуваат тесен жлеб, претераното триење, виткање и повратен удар. Веднаш заменете ги оштетените листови, секогаш користете оригинални прирабници, навртки и/или завртки.

- j) Отстранете ги клучевите за дотерување пред да го вклучите алатот. Клучевите кои ќе ги допрат ротирачките делови на електричниот алат може да предизвикаат повреди.
- k) Стрелката означена на листот, која ја покажува насоката на ротацијата, мора да е насочена исто со стрелката на машината, запците мора да се свртени надолу, од предната страна на пилата.
- l) Не го допирајте листот после работа, пред да се излади. Листот станува жижок додека работи.
- m) Заштитете ја пилата од удари. Не применувајте страничен притисок врз листот.
- n) Не го форсирајте електричниот алат. Користете соодветен електричен алат за работата која ја изведувате. Соодветниот електричен алат ќе ја заврши работата подобро и побезбедно. Може да дојде до сериозни повреди кога врвот на алатот е свртен на горе. Секогаш имајте дополнително потпирање за поголема стабилност на машината.
- p) Машината е опремена со уреди за приклучување на одведувач на прашина, осигурајте се дека тие се поврзани и соодветно се користат. Собирникот за прашина ја намалува опасноста од прашиката.
- q) Одржувајте ги отворите за воздух. Прашината мора да се отстрани.
- r) Проверете ја исправноста на браниците и дали слободно се движат. Браникот никогаш да не го забравувате кога ќе се отвори.
- s) Не ги отстранувајте отпадоците од резната област додека машината работи. Секогаш да ја вратите конзолата на алатот, во неутрална положба, а потоа да ја исклучите машината.
- t) Поставете го листот врз работно парче, само кога машината е вклучена. Во спротивно постои ризик од повратен удар, кога листот ќе се заглави во работното парче.
- u) Ако листот се заглави. Исклучете ја машината и држете го работното парче додека листот не се сопре.

- v) За да се спречи повратен удар. Работното парче не може да се помести, додека машината не запре. Отстранете ја причината за заглавувањето на листот пред рестартирање на машината.
- w) При профилно сечење, кружни или други парчиња, делот притиснете го врз потпирачот за да не се поместува, со што нема да се подига или врти додека сечете.
- x) Никогаш не сечете многу мали парчиња, кои не можат безбедно да се стегнат. Мали парчиња од дрво или други предмети ако го допрат ротирачкиот лист, можат да летнат со голема брзина.
- y) Кога сечете секогаш користете дополнително потпирање.
- z) За сечење на големо парче кое не е потпрено. Користете дополнително потпирање.
- aa) Никогаш не ги правете непрепознатливи знаците за предупредување. Техничките информации или информациите за типот на машина секогаш треба да се видливи.

На крајот од сечењето, држете ја машината со главата надолу, исклучете ја и почекајте додека сите подвижни делови не се сопрат пред да ги тргнете рацете од нејзе.

3. МОНТИРАЊЕ НА ПРИБОР

Поставување на пилата за косо сечење

- Поставете странична летва (21) од десната страна и друга, од левата страна на машината.
- Поставете стега за работно парче (7) на левата или на десната страна од машината.
- Држете ја рачката и поместете ја пилата полека надолу, а потоа повлечете ја малку чивијата (5), така пилата да се задвижи нагоре.

Забелешка: Никогаш не ја користете пилата без продолжените потпирачи. Проверете дали се исправно монтирани.

Лизгачки граничник

Сл. 2

Од безбедносни причини, машината е опремена со подвижен граничник за косо сечење кој се користи при косо и сечење под наклон.

- За нормално право попречно и косо сечење дотерајте го лизгачкиот граничник (8) до крајот и стегнете го за да обезбедите сигурно потпирање на работното парче.
- За сечење под наклон, дотерајте го потпирачот (8) до погодна положба, најблиску до површината на листот, но избегнете интерференција на подвижниот лист и стегнете го.

Измена на листот

Сл. 4 и 5



Користете наострени и неоштетени листови. Веднаш да го замените оштетениот или свитканиот лист.

ОПАСНО: Не користете лист подлог од наведените капацитетот на пилата. Тој може да дојде во контакт со браникот и да предизвика штета.

Не користете многу дебел лист поради кој може надворешната навртка на листот да го допре вретеното. Ова оневозможува да се стегне листот на вретеното со помош на завртката.

Не ја користете пилата за сечење на метал или сид

- Исклучете ја машината од напојувањето.
- Отстранете ја завртката (20), која го држи контра лостот (20).
- Отстранете ја завртката (19) за да го извадите навојниот капак, со подигање на капакот на листот (6).
- И завртките на листот (17) и прирабницата (18) сега треба да се видливи, како што е прикажано на сл. 5.
- Притиснете го копчето за блокирање на листот (22), вртете го листот внимателно, со рака, додека не забрави.
- Користете шестоаголен клуч за отстранување на завртката на листот (17), со вртење надесно.
- Отстранете ја прирабницата (18) и листот.
- Заменете го листот, проверувајќи дали стрелката од листот ја покажува истата насока со стрелката на машината. Запците на листот мора да се свртени надолу.
- Заменете ја прирабницата и стегнете ја завртката на листот (17), користејќи го копчето за забравување (22).
- Спуштете го капакот на листот (6) за да се врати навојниот капак и стегнете ја

завртката (19).

- Поставете го контра лостот на капакот на листот (6) со стегање на завртката (20).
- Вртете го листот рачно и проверете го исправното функционирање на браникот.

Дотерување на резен агол

Сл. 1 и 2

Дотерување на агли за косо сечење
Аголот за косо сечење може да се постави помеѓу 45° лево и 45° десно

- Отстегнете ја рачката за забравување (10).
- Притиснете ја папучата забравување (11) и свртете ја масата на пилата лево или десно, со забравното копчето (10), додека аголниот индикатор (23) не го покаже потребниот агол.
- Отстегнете ја папучата за забравување (11) и стегнете го забравното копче (10). Претходни поставки (брзи поставки) на следните степени: -45°, -30°, -22.5°, -15°, 0°, 15°, 22.5°, 30°, 45°.
- Притиснете ја папучата за забравување (11) кога ќе ја свртите основната плоча; ослободете ја папучата пред да го постигнете потребниот агол и плочата не забрави со кликање.

Дотерување на наклонети агли

Сл. 1 и 3

Наклонетиот агол може да се постави помеѓу 0° и 45°.

- Отстегнете ја рачката за забравување (9).
- Свртете ја пилата со помош на рачката, додека индикаторот за агол (14) не го покаже потребниот агол.
- Стегнете ја рачката за забравување (9).

Менување на јаглени четкички

Сл. 2

- Исклучете ја машината од напојувањето.
- Одвртете ги капакот (4).
- Заменете ги јаглениите четкички со точен тип на четкички.
- Повторно стегнете го капакот (4).

Забелешка: Менувајте ги четкичките истовремено, никогаш не користете комбинација од стари и нови четкички.

Монтажа на вреќа за прашина

Сл. 1

Притиснете ја стегата за вреќата за прашина (13) и лизгајте ја до отворот на задниот дел на машината.

Вреќата ќе остане на место кога ќе ја ослободите стегата.

4. РАКУВАЊЕ

Користење на пилата за косо сечење

Сл. 1



Пред користење, секогаш проверете откази или дефекти!

- Поставете го потребниот агол.
- Вклучете во струја.
- Стегнете работно парче со помош на стега (7): уверете се дека материјалот е добро стегнат!
- Држете го материјалот цврсто на левата страна и обезбедете сигурно растојание од листот.
- За вклучување на машината, држете го притиснато копчето за деблокирање (3) и потоа притиснете го On/Off прекинувачот (1).
- Нека листот достигне полна брзина пред да го допрете работното парче.
- Потоа спуштете ја пилата полека, додека листот не го исече парчето и не помине низ жлебот на масата. Не ја притискајте пилата. Дајте ѝ време на машината да го исече парчето.
- Донесете ја машината нежно во горна положба и исклучете ја со опуштањето на прекинувачот (1).

Користење на лизгачка функција

Сл. 1



Машината мора да биде цврсто зашрафена врз работна маса.

Користете ја лизгачката функција за сечење на широки парчиња:

- Стегнете работно парче со помош на стега.
- Отстегнете ја рачката (12).
- Лизгајте ја машината кон вас, до крај.
- Вклучете ја машината со прекинувачот.
- Спуштајте ја полека пилата, додека не го

пресече парчето.

- Турнете ја машината полека назад.
- Донесете ја машината во горна положба и исклучете ја со опуштањето на прекинувачот (1).

Користење на ласерот

Сл. 2

- За вклучување на ласерот, притиснете го on/off прекинувачот 2.
- За исклучување на ласерот, отпуштете го on/off прекинувачот 2.

Положба за транспорт

Кога ја пренесувате пилата, проверете дали пилата е во внатрешна положба. Проверете дали сите брави и уреди за затегнување се безбедни:

- Уверете се дека аголот на сечење е поставен на 0°
- Уверете се дека аголот на наклонот е поставен на 0°
- Заклучете ја рачката за прилагодување на аголот (9) со вртење во насока на стрелките на часовникот
- Лизгајте ја машината целосно кон себе
- Заклучете ја лизгачката функција со вртење на Ков над лизгачката потпора (12) во насока на стрелките на часовникот
- Отклучете го заклучниот клуч (5) од десната страна на уредот
- Турнете ја машината целосно надолу
- Заклучете го заклучниот клуч (5) од десната страна на уредот

Само подигнете ја машината со цврста долна страна на машината. Не кревајте ја пилата со рачката на прекинувачот

5. СЕРВИС И ОДРЖУВАЊЕ



Машината не смее да е поврзана на електрична мрежа кога ја одржувате.

Влечни шини

Нечистотијата може да ги оштети влечните шини и со тоа и машината.

- Редовно очистете го куќиштето со мекана крпа.
- Ставете малку средство за подмачкување врз влечните шини.

- Поместете ја косата пила напред и назад за да се разлее маслото преку шините.

Овие машини се конструирани да функционираат долго време, со минимално одржување. Со редовно чистење и исправно користење, можете да придонесете за долг век на машината.

Чистење

Редовно чистете го куќиштето на машината со мекана крпа, по можност после секое користење. Отворите за вентилација да бидат ослободени од прашина и нечистотија. Отстранете ја тврдокорната нечистотија со мекана крпа, натопена во сапуница. Никогаш не користете растворувачи како бензин, алкохол, амонијачна вода итн.

Овие растворувачи можат да ги оштетат пластичните делови.

Решавање на проблеми

1. Моторот неќе да се стартува

- Приклучокот не е во приклучницата.
- Кабелот е прекинат.
- Прекинувачот е неисправен. Однесете ја машината на поправка кај испорачателот.

2. Исечокот не е рамномерен (рапав)

- Листот мора да се наостри.
- Листот е поставен од назад кон напред.
- Листот е налепен со смола или струшка.
- Листот не е наменет за обаботуваното парче.

3. Рачката за подигање и/или за косо сечење има пречки

- Отпадоците и/или прашина мора да се отстранат.

4. Моторот има потешкотии да оствари полна брзина

- Продолжниот кабел е многу тенок и/или долг.
- Напонот во мрежата е помал од 230 V.

5. Машината претерано вибрира

- Листот е оштетен.

6. Машината станува претерано топла

- Отворите за вентилација се блокирани. Исчистете ги со сува крпа.

7. Електромоторот работи нерамномерно

- Јаглениите четкички се истрошени. Заменете ги јаглениите четкички или консултирајте се со продавачот.

Подмачкување

Машината не треба дополнително да се подмачкува.

Откази

Ако се случи отказ, нпр. поради трошење на дел, обратете се на адресата на сервисот од гарантната картичка.

На позадината на упатството ќе најдете експозиционен преглед со прикажани делови кои можат да се нарачаат.

ОКОЛИНА

Да се спречи оштетување при транспорт, машината се испорачува во цврсто пакување. Колку што е можно пакувањето е направено од рециклирани материјали, затоа превземете чекор за рециклирање на пакувањето. Кога ќе ја менувате машината, старата однесете ја кај локалниот продавач. Таму ќе биде еколошки депонирана.



Оштетени и/или искористени електрични и електронски уреди мора да се депонираат во станици за рециклирање.

Само за земји од ЕУ

Не ги депонирајте алатите во домашен отпад. Според Европското Упатство 2012/19/ ЕУ за отпадна електрична и електронска опрема и неговата имплементација во националното право, електричните алати кои веќе не се употребливи мораат да се собираат одделно и да се отстрануваат на еколошки начин.

ГАРАНЦИЈА

Прочитајте ги гарантните услови во приложената гарантна картичка.

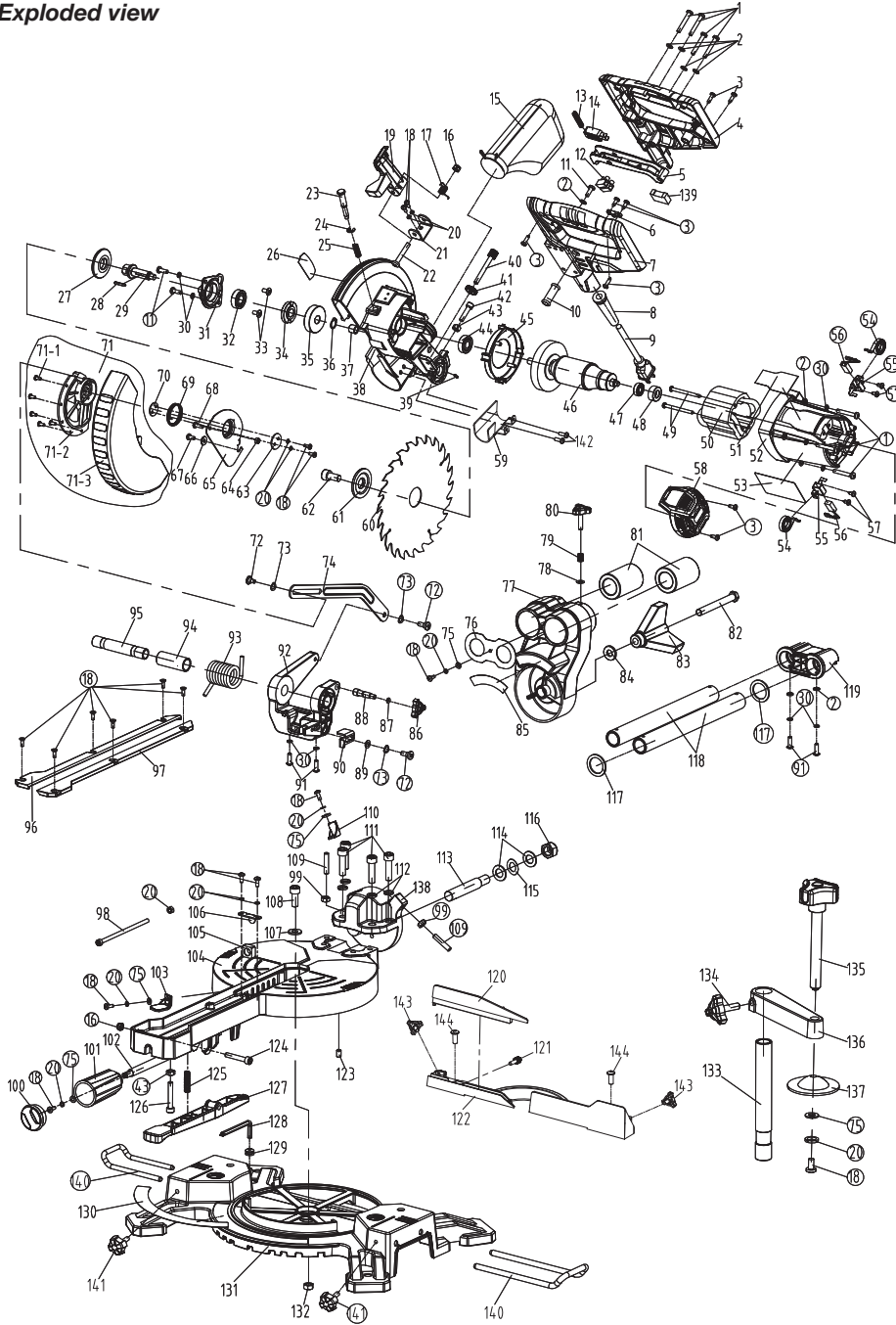
Производот и упатството се предмет на промена. Карактеристиките можат да се променат без натамошно известување.



Spare parts list**MSM1039**

Article no.	Description	Position no.
410722	Moveable Fence	120
410723	Switch	14
410724	Stator	50
410725	Rotor	46
410726	Fence base	122
410727	Dustbag	15
410728	Table insert	97
410729	Moveable guard	71-3
410730	Workpiece clamp	133...137 75 20 18
410731	Motor housing end cap	58
410732	Carbon brush set	56
410733	Carbon brush holder set (2pcs)	54 55
410734	Saw blade nut + flanges	27 61 62

Exploded view





DECLARATION OF CONFORMITY MSM1039 - RADIAL MITRE SAW

- (EN) We declare under our sole responsibility that this product is in conformity with directive 2011/65/EU of the European parliament and of the council of 8 June on the restriction of the use of certain hazardous substances in electrical and electronic equipment is in conformity and accordance with the following standards and regulations:
- (DE) Der Hersteller erklärt eigenverantwortlich, dass dieses Produkt der Richtlinie 2011/65/EU des Europäischen Parlaments und des Rats vom 8. Juni 2011 über die Einschränkung der Anwendung von bestimmten gefährlichen Stoffen in elektrischen und elektronischen Geräten entspricht, den folgenden Standards und Vorschriften entspricht:
- (NL) Wij verklaren onder onze volledige verantwoordelijkheid dat dit product voldoet aan de conform Richtlijn 2011/65/EU van het Europees Parlement en de Raad van 8 juni 2011 betreffende beperking van het gebruik van bepaalde gevaarlijke stoffen in elektrische en elektronische apparatuur en in overeenstemming is met de volgende standaarden en reguleringen:
- (FR) Nous déclarons sous notre seule responsabilité que ce produit est conforme aux standards et directives suivants: est conforme à la Directive 2011/65/EU du Parlement Européen et du Conseil du 8 juin 2011 concernant la limitation d'usage de certaines substances dangereuses dans l'équipement électrique et électronique.
- (ES) Declaramos bajo nuestra exclusiva responsabilidad que este producto cumple con las siguientes normas y estándares de funcionamiento: se encuentra conforme con la Directiva 2011/65/UE del Parlamento Europeo y del Consejo de 8 de junio de 2011 sobre la restricción del uso de determinadas sustancias peligrosas en los equipos eléctricos y electrónicos.
- (PT) Declaramos por nossa total responsabilidade de que este produto está em conformidade e cumpre as normas e regulamentações que se seguem: está em conformidade com a Directiva 2011/65/UE do Parlamento Europeu e com o Conselho de 8 de Junho de 2011 no que respeita à restrição de utilização de determinadas substâncias perigosas existentes em equipamento eléctrico e electrónico.
- (IT) Dichiariamo, sotto la nostra responsabilità, che questo prodotto è conforme alle normative e ai regolamenti seguenti: è conforme alla Direttiva 2011/65/UE del Parlamento Europeo e del Consiglio dell'8 giugno 2011 sulla limitazione dell'uso di determinate sostanze pericolose nelle apparecchiature elettriche ed elettroniche.
- (SV) Vi garanterar på eget ansvar att denna produkt uppfyller och följer följande standarder och bestämmelser: uppfyller direktiv 2011/65/EF från Europeiska parlamentet och EG-rådet från den 8 juni 2011 om begränsningen av användning av farliga substanser i elektrisk och elektronisk utrustning.
- (FI) Vakuutamme yksinomaan omalla vastuullamme, että tämä tuote täyttää seuraavat standardit ja säädökset: täyttää Euroopan parlamentin ja neuvoston 8. kesäkuuta 2011 päivätyn direktiivin 2011/65/EU vaatimukset koskien vaarallisten aineiden käytön rajoitusta sähkö- ja elektroniikassa laitteissa.
- (NO) Vi erklærer under vårt eget ansvar at dette produktet er i samsvar med følgende standarder og regler: er i samsvar med EU-direktivt 2011/65/EF fra Europa-parlamentet og Europa-rådet, pr. 8 juni 2011, om begrensning i bruken av visse farlige stoffer i elektrisk og elektronisk utstyr.
- (DA) Vi erklærer under eget ansvar, at dette produkt er i overensstemmelse med følgende standarder og bestemmelser: er i overensstemmelse med direktiv 2011/65/EF fra Europa-Parlamentet og Rådet af 8. juni 2011 om begrænsning af anvendelsen af visse farlige stoffer i elektrisk og elektronisk udstyr.
- (HU) Felelősségünk teljes tudatában kijelentjük, hogy ez a termék teljes mértékben megfelel az alábbi szabványoknak és előírásoknak: je v souladu se směrnicí 2011/65/EU Evropského parlamentu a Rady EU ze dne 8. června 2011, která se týká omezení použití určitých nebezpečných látek v elektrických a elektronických zařízeních.
- (CS) Na naši vlastní zodpovědnost prohlašujeme, že je tento výrobek v souladu s následujícími standardy a normami: Je v souladu s normou 2011/65/EU Evropského parlamentu a Rady z 8. června 2011 týkající se omezení používání určitých nebezpečných látek v elektrickém a elektronickém vybavení.
- (SK) Vyhlasujeme na našu výhradnú zodpovednosť, že tento výrobok je v zhode a súlade s nasledujúcimi normami a predpismi: Je v súlade s normou 2011/65/EU Európskeho parlamentu a Rady z 8. júna 2011 týkajúcej sa obmedzenia používania určitých nebezpečných látok v elektrickom a elektronickom vybavení.
- (SL) S polno odgovornostjo izjavljamo, da je ta izdelek v skladu in da odgovarja naslednjim standardom ter predpisom: je v skladu z direktivo 2011/65/EU Evropskega parlamenta in Sveta z dne 8. junij 2011 o omejevanju uporabe doloženih nevarnih snovi v električni in elektronski opremi.
- (PL) Deklarujemy na własną odpowiedzialność, że ten produkt spełnia wymogi zawarte w następujących normach i przepisach: jest zgodny z Dyrektywą 2011/65/UE Parlamentu Europejskiego i Rady z dnia 8 czerwca 2011 r. w sprawie ograniczenia stosowania niektórych niebezpiecznych substancji w sprzęcie elektrycznym i elektronicznym.
- (LT) Prisiimdami visą atsakomybę deklaruojame, kad šis gaminys atitinka žemiau paminėtus standartus arba nuostatus: atitinka 2011 m. birželio 8 d. Europos Parlamento ir Tarybos direktyvą 2011/65/EB dėl tam tikrų pavojingų medžiagų naudojimo elektros ir elektroninėje įrangoje apribojimo.
- (LV) Ir atbilstoša Eiropas Parlamenta un Padomes 2011. gada 8. jūnija Direktīvai 2011/65/ES par dažu bīstamu vielu izmantošanu ierobežošanu elektriskās un elektroniskās iekārtās.
- (ET) Apvalvojam ar visat vastutalibv, ka šis produktis ir saskaņā ar atbilstošiem standartiem un nolikumiem: ir atbilstoša Eiropas Parlamenta un Padomes 2011. gada 8. jūnija Direktīvai 2011/65/ES par dažu bīstamu vielu izmantošanas ierobežošanu elektriskās un elektroniskās iekārtās.
- (RO) Declaram prin aceasta cu răspunderea deplină că produsul acesta este în conformitate cu următoarele standarde sau directive: este în conformitate cu Directiva 2011/65/UE a Parlamentului European și a Consiliului din 8 iunie 2011 cu privire la interzicerea utilizării anumitor substanțe periculoase la echipamentele electrice și electronice.
- (HR) Izjavljamo pod vlastitom odgovornošću da je strojem ukladan sa slijedešim standardima ili standardiziranim dokumentima i u skladu sa odredbama: usklađeno s Direktivom 2011/65/EU europskog parlamenta i vijeća izdanom 8. lipnja 2011. o ograničenju korištenja određenih opasnih tvari i električnoj i elektroničkoj opremi.
- (SRL) Pod punom odgovornošću izjavljamo da je usaglašen sa sledećim standardima ili normama: usaglašen sa direktivom 2011/65/ES Evropskog parlamenta i Saveta od 8.juna.2011. godine za restrikciju upotrebe određenih opasnih materija u električnoj i elektroničkoj opremi.
- (RU) Под свою ответственность заявляю, что данное изделие соответствует следующим стандартам и нормам: соответствует требованиям Директивы 2011/65/ЕU Европейского парламента и совета от 8 июня 2011 г. по ограничению использования определенных опасных веществ в электрическом и электронном оборудовании
- (UK) На свою власну відповідальність заявляю, що дане обладнання відповідає наступним стандартам і нормативам: задовольняє вимоги Директиви 2011/65/ЕС Європейського Парламенту та Ради від 8 червня 2011 року на обмеження використання деяких небезпечних речовин в електричному та електронному обладнанні.
- (EL) Δηλώνουμε υπεύθυνα ότι το προϊόν αυτό συμμορφώνεται και τηρεί τους παρακάτω κανονισμούς και πρότυπα: συμμορφώνεται με την Οδηγία 2011/65/ΕΕ του Ευρωπαϊκού Κοινοβουλίου και του Συμβουλίου της 8ης Ιουνίου 2011 για τον περιορισμό της χρήσης ορισμένων επικίνδυνων ουσιών σε ηλεκτρικά και ηλεκτρονικά εξοπλισμούς.
- (AR) نؤعلن تحت مسؤوليتنا بانه المنتج يتوافق مع المواصفات والمعايير التالية: يتوافق مع توجيه 2011/65/UE من البرلمان الأوروبي والمجلس من 8 يونيو 2011 بشأن تقييد استخدام بعض المواد الخطرة في المعدات الكهربائية والإلكترونية.
- (TR) Tek sorumluluşu biz olarak bu ürünün ařađıdaki standart ve yönergelere uygun olduđunu beyan ederiz.
- (MK) Izjavuваме со naša celosna odgovornost дека производот е во согласnost со Смирницата 2011/65/EU на Европскиот парламента и е во согласnost според Советот од 8 јуни за ограничување на користење на одредени опасни супстанции во електричната и електронската опрема и дека е според следните стандарди и регулативи:

EN62841-1, EN62841-2-9, EN55014-1, EN55014-2, EN61000-3-2,
EN61000-3-3, EN60825-1

2006/42/EC, 2014/30/EU, 2011/65/EU, 2012/19/EU

Zwolle, 01-05-2020

H.G.F Rosberg
CEO FERM

FERM - Lingenstraat 6 - 8028 PM - Zwolle - The Netherlands

