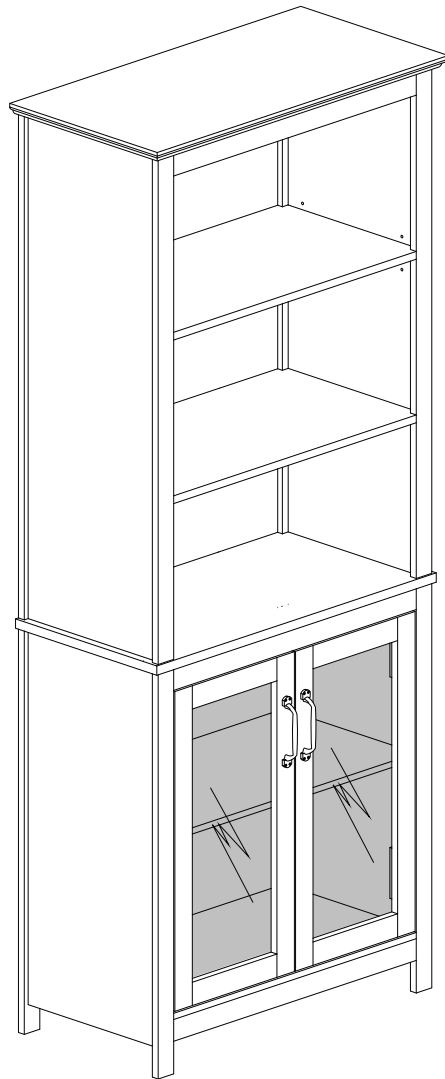
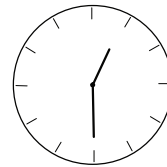
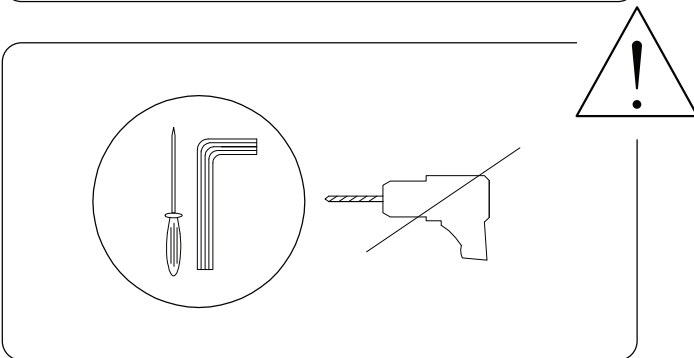
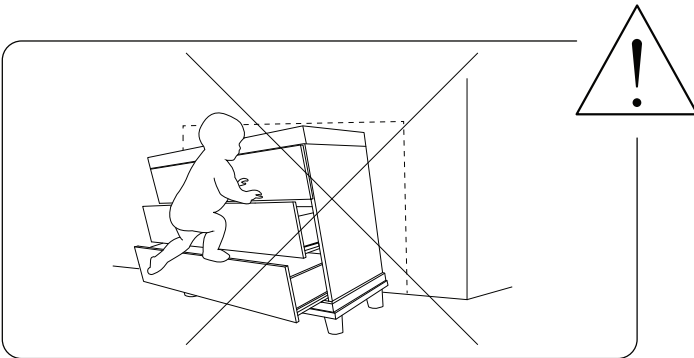
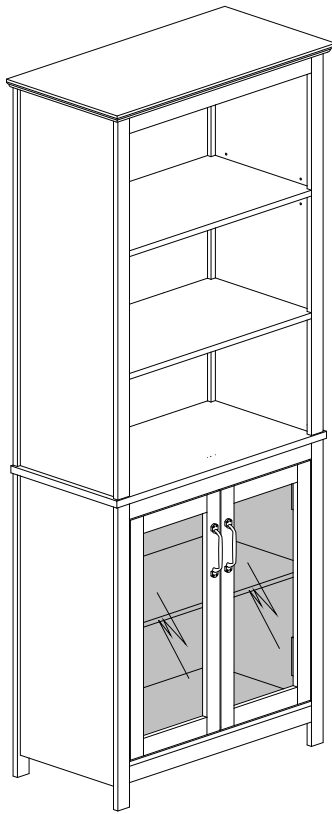
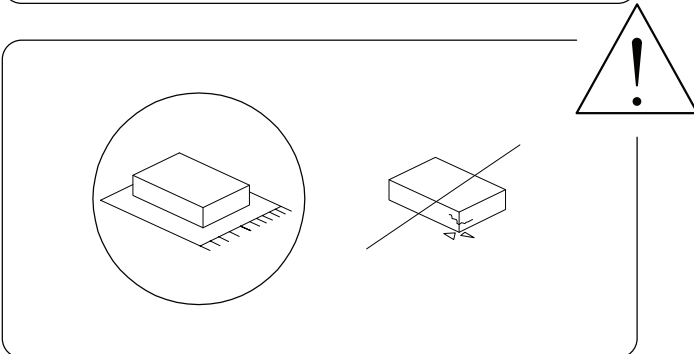


LUSBY

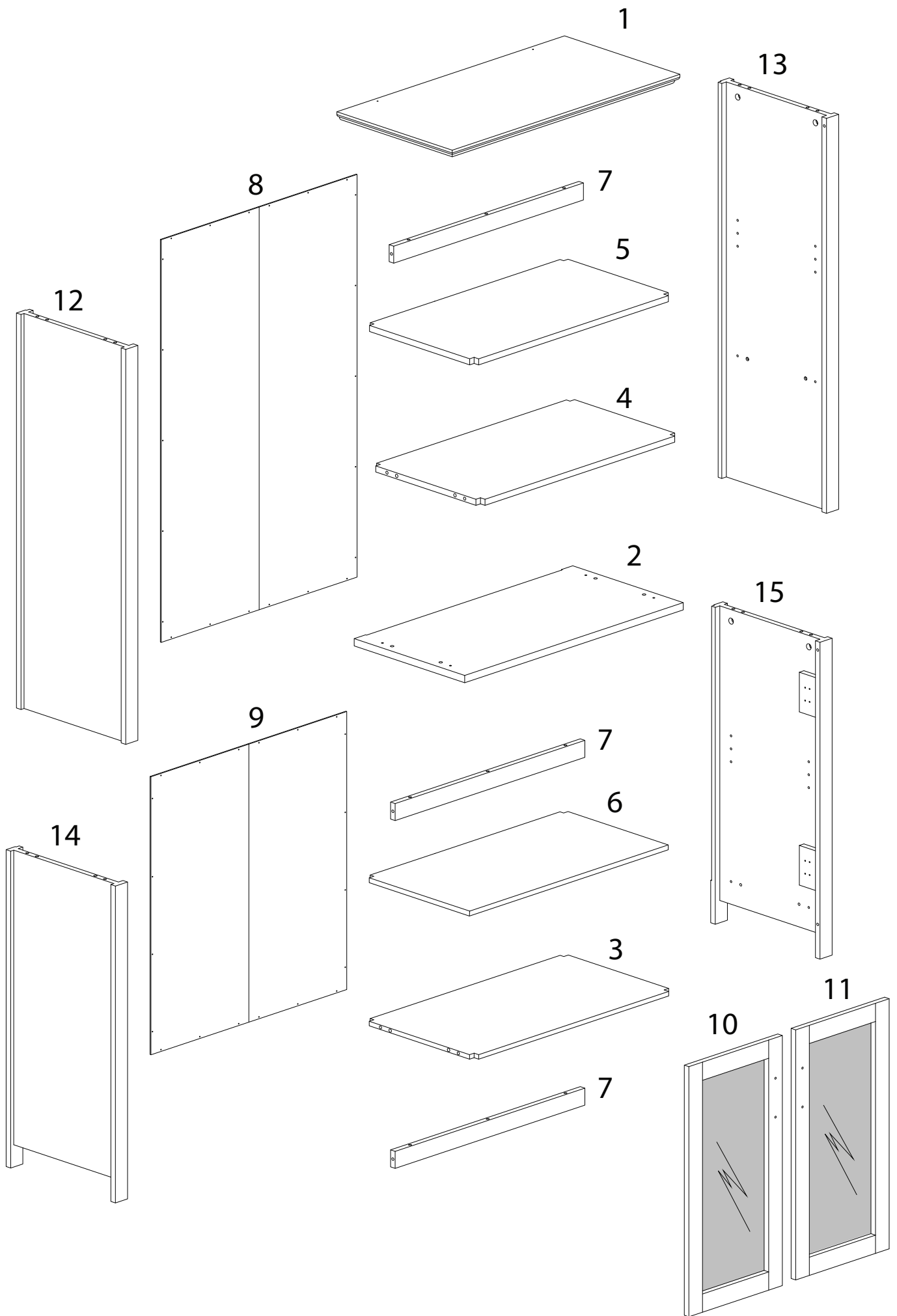




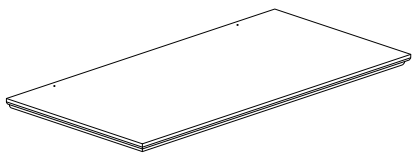
90'



2

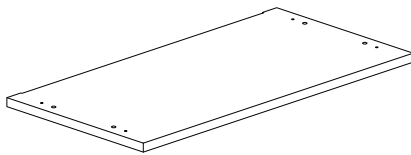


1



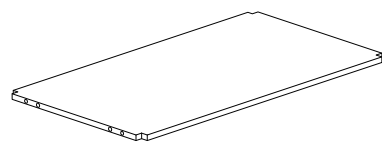
x 1

2



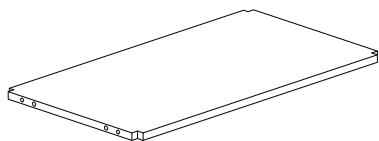
x 1

3



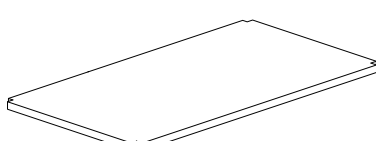
x 1

4



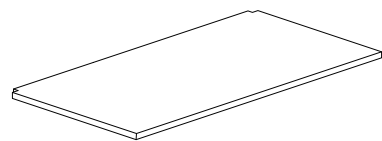
x 1

5



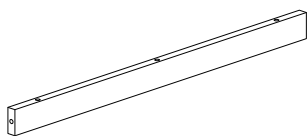
x 1

6



x 1

7



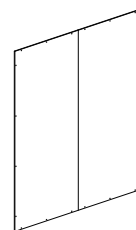
x 3

8



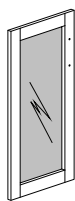
x 1

9



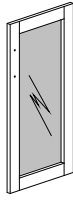
x 1

10



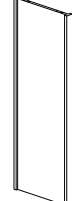
x 1

11



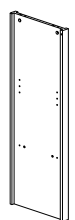
x 1

12



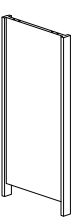
x 1

13



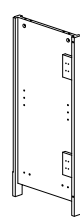
x 1

14



x 1

15



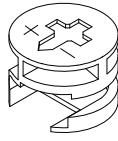
x 1

A



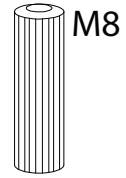
x 25

B



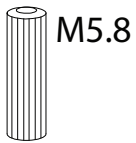
x 25

C



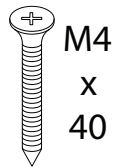
x 16

D



x 10

E



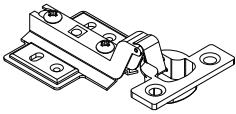
x 6

F



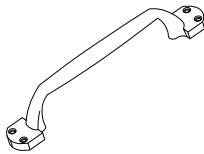
x 24

G



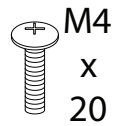
x 4

H



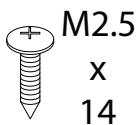
x 2

I



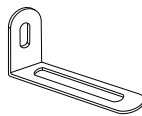
x 4

J



x 42

K



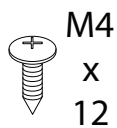
x 2

L



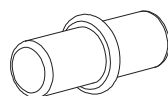
x 2

M



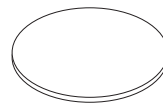
x 2

N



x 8

O



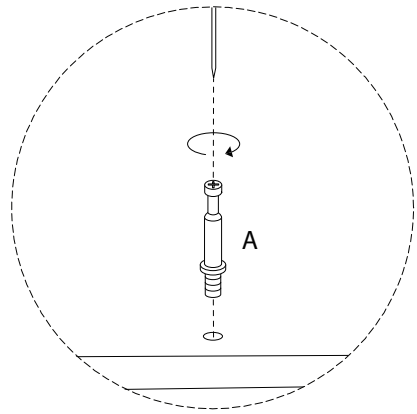
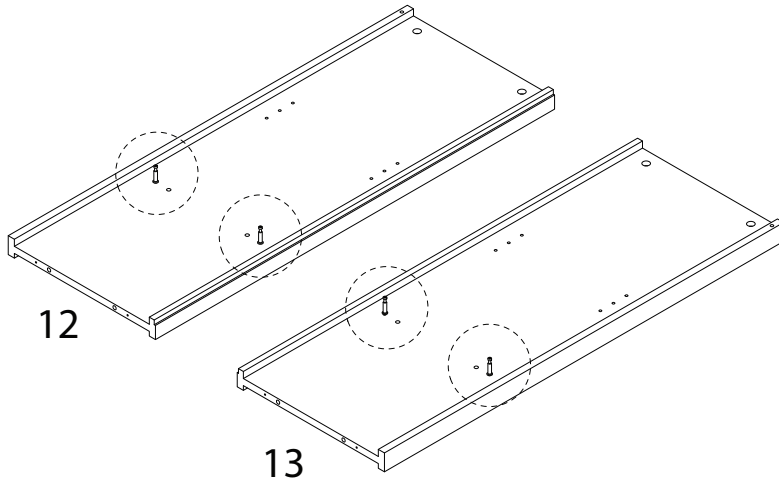
x 8

1

12
x1

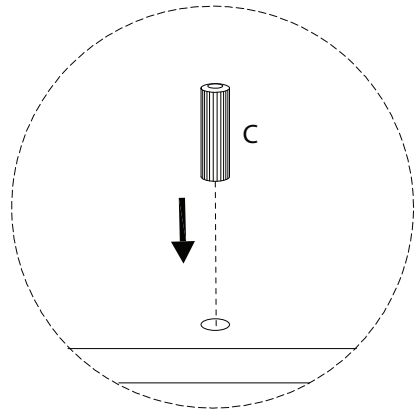
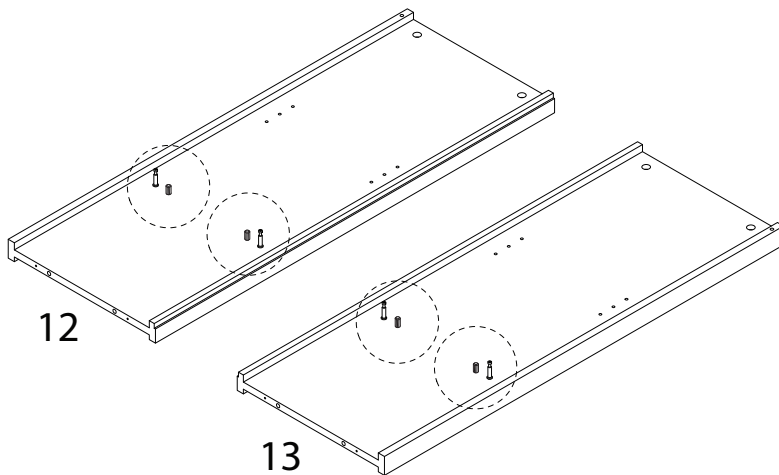
13
x1

A
x4

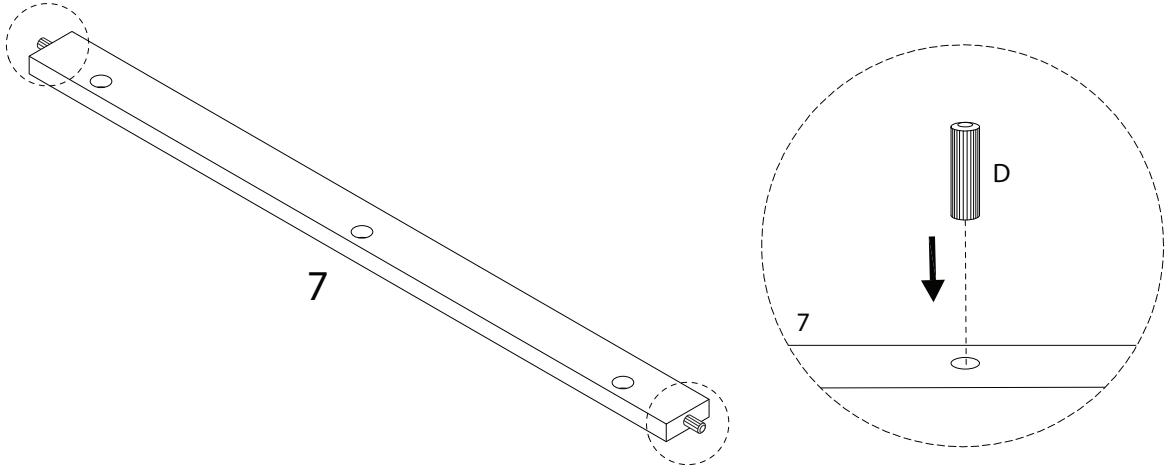
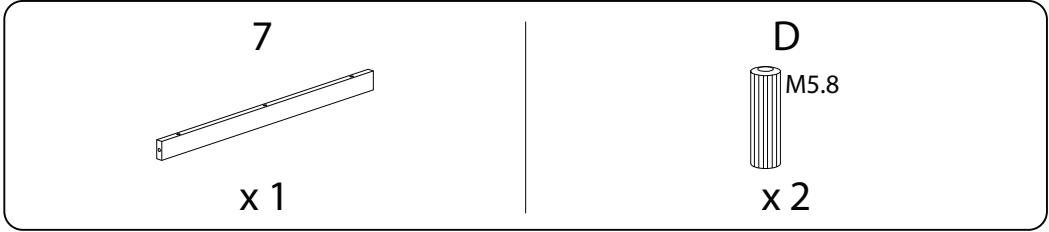


2

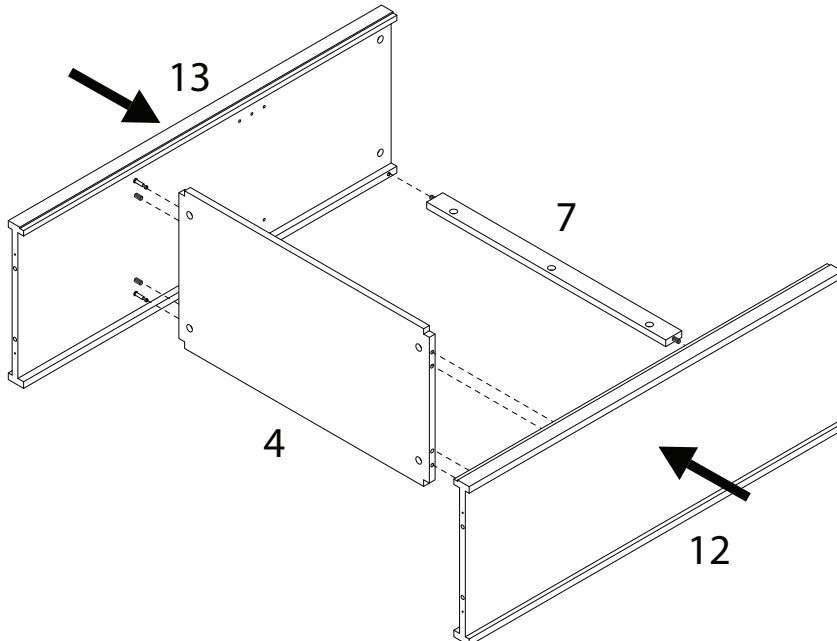
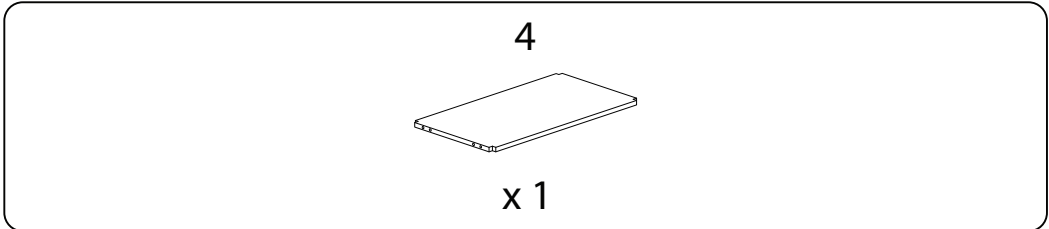
C
M8
x4



3 x 3

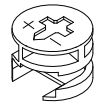


4

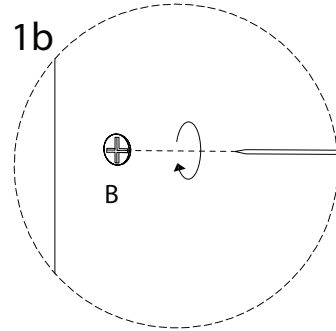
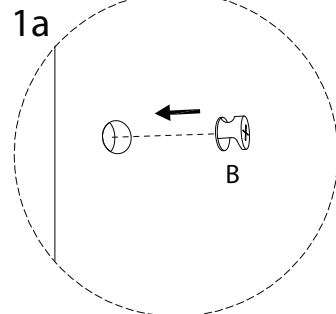
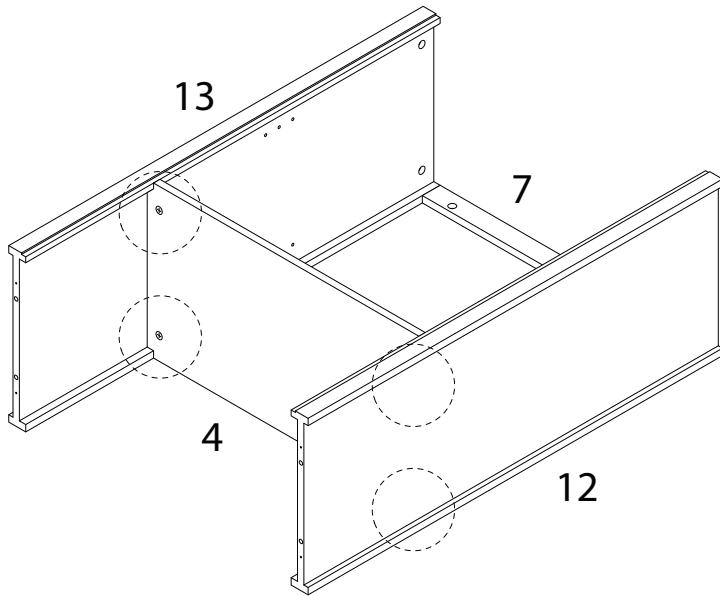


5

B

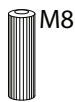


x 4

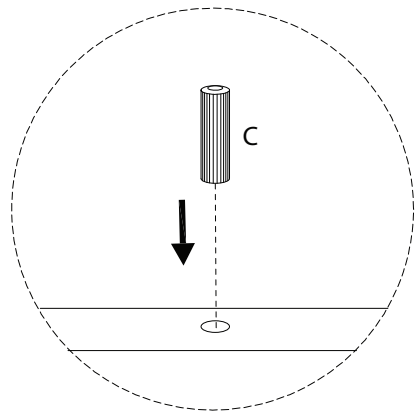
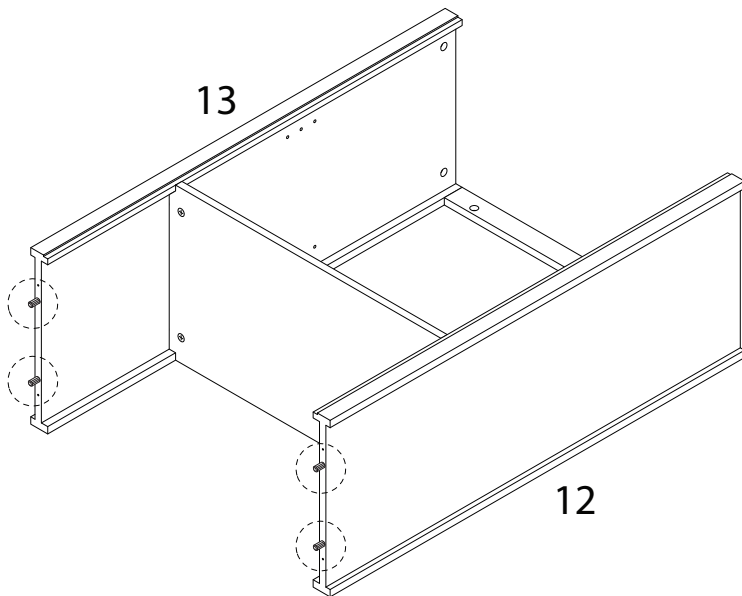


6

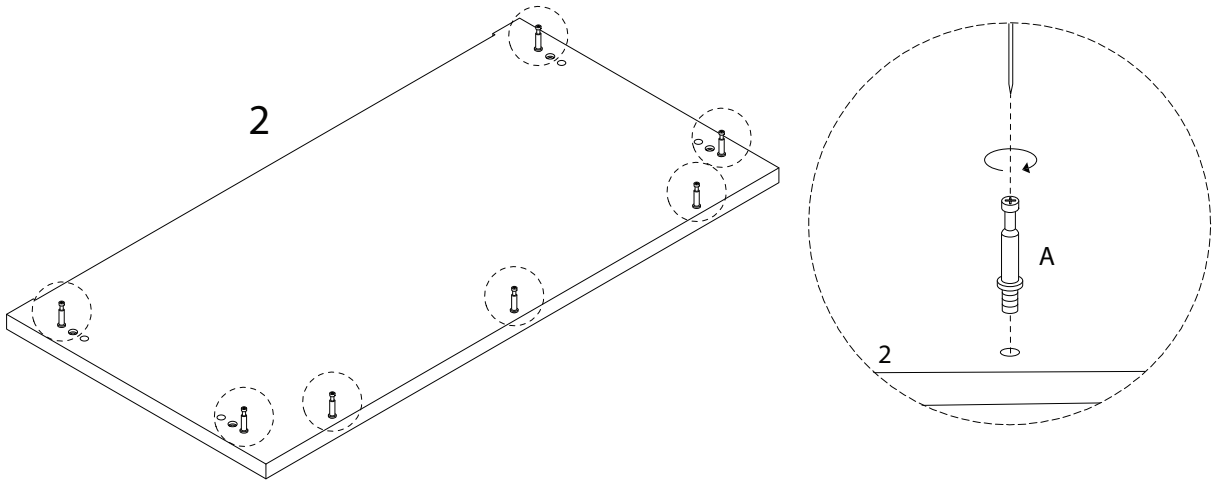
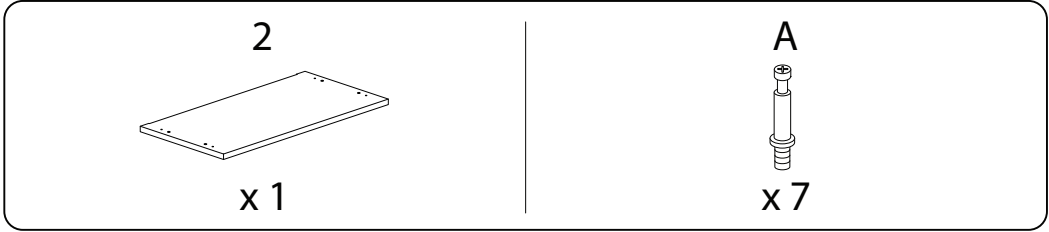
C



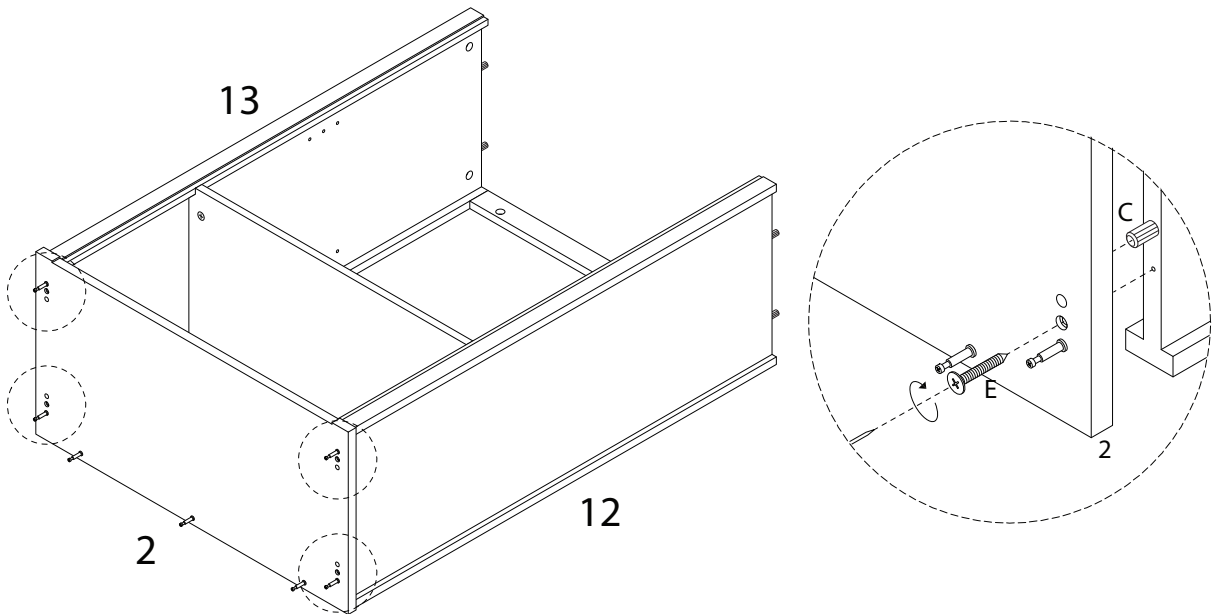
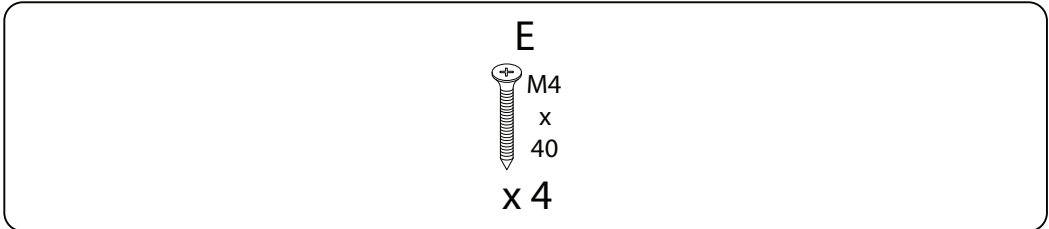
x 4



7



8



9

14



x1

15

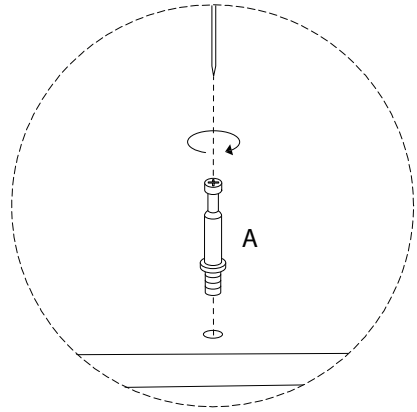
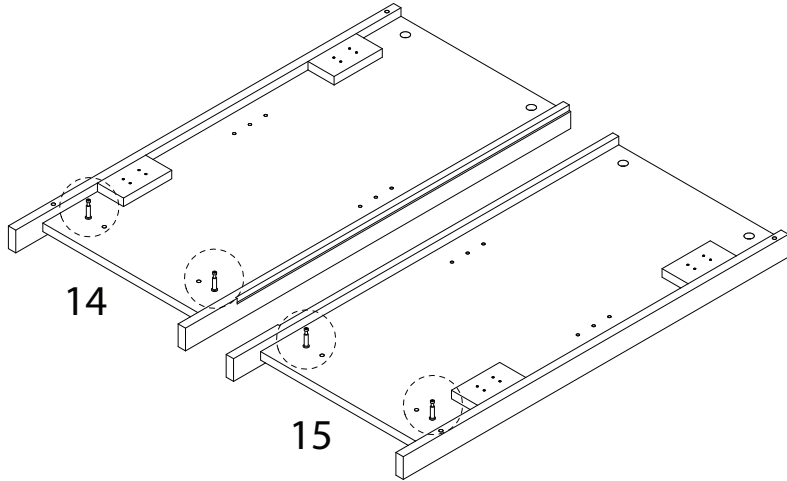


x1

A

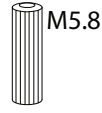


x4

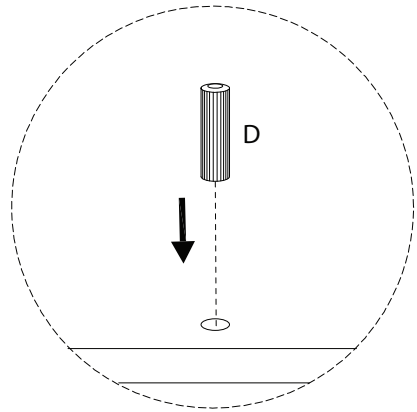
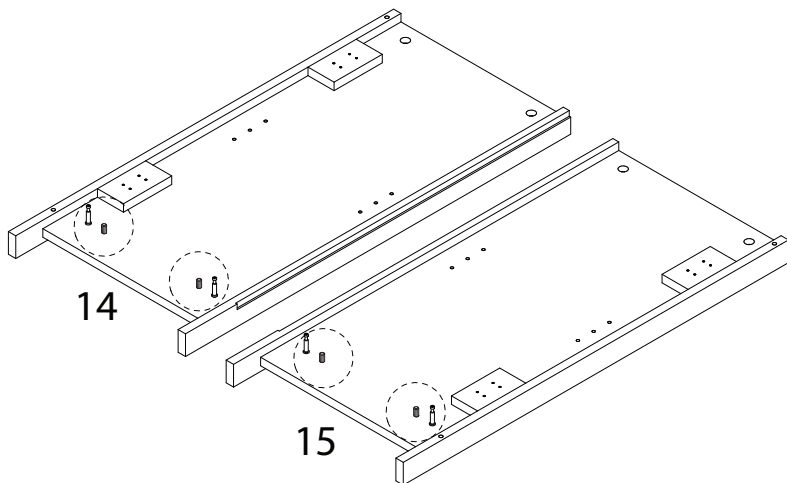


10

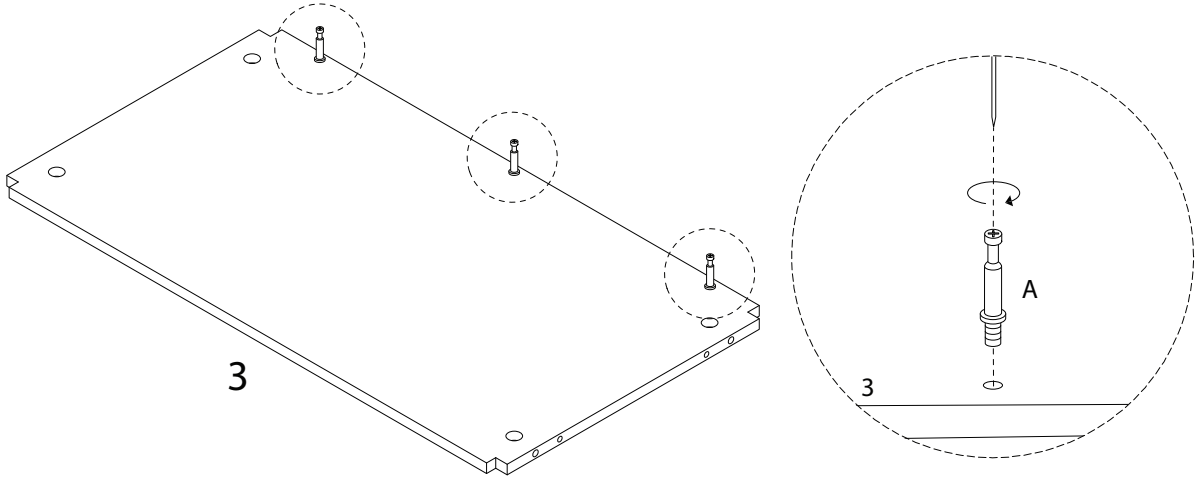
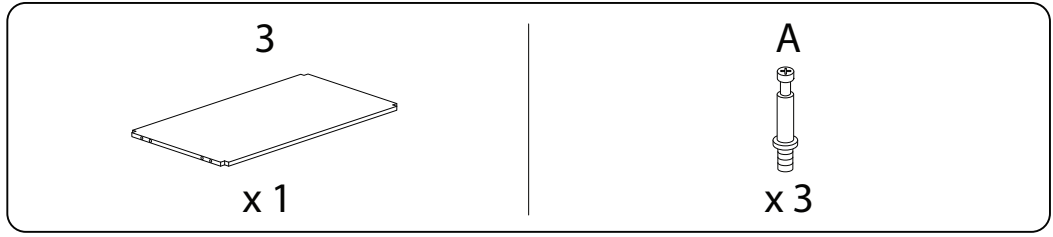
D



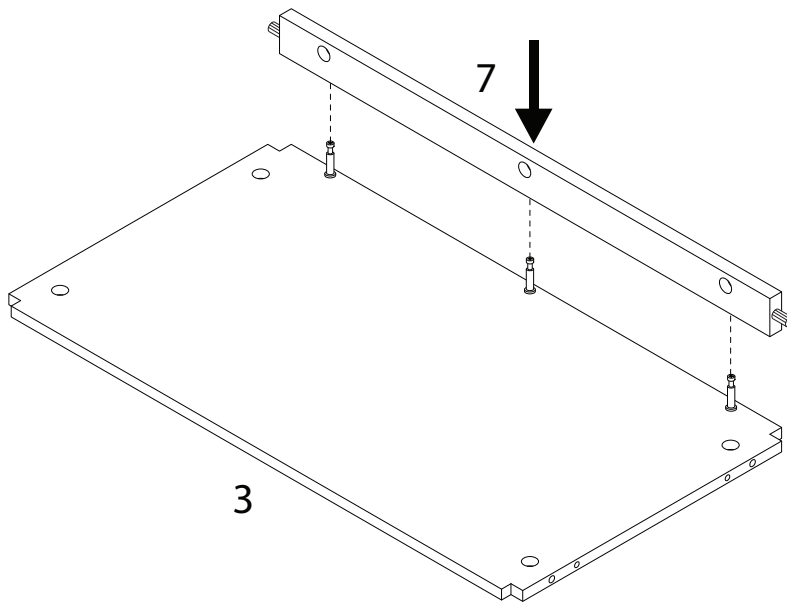
x4



11

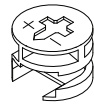


12

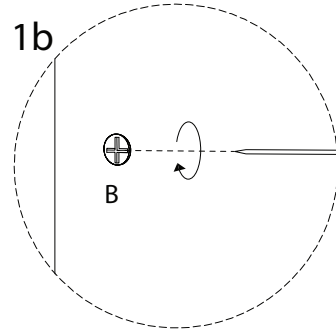
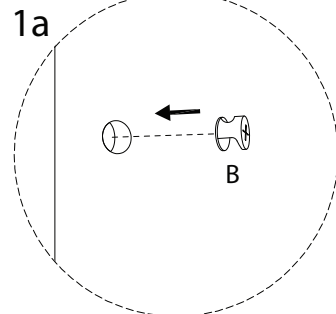
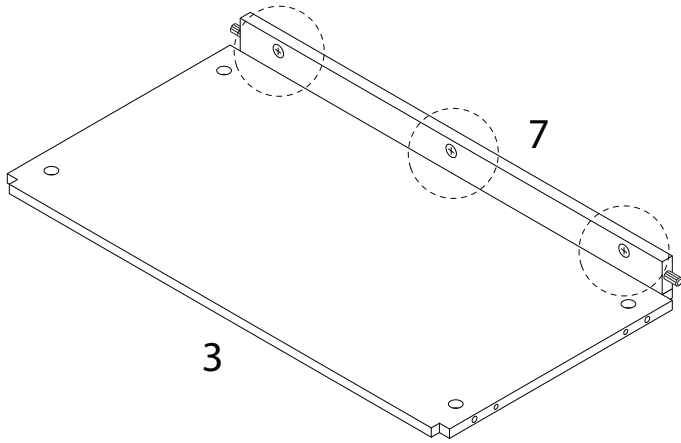


13

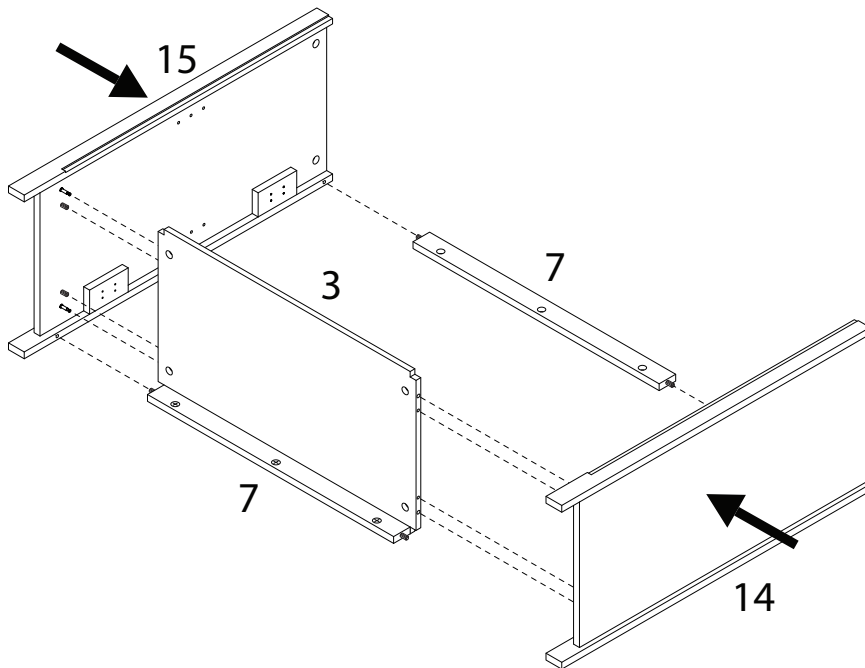
B



x 3

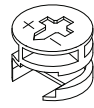


14

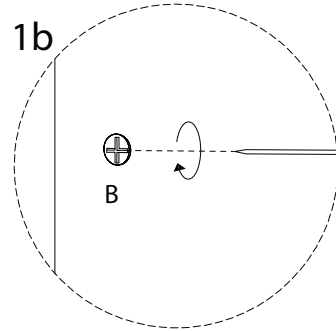
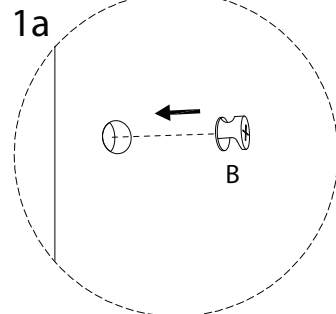
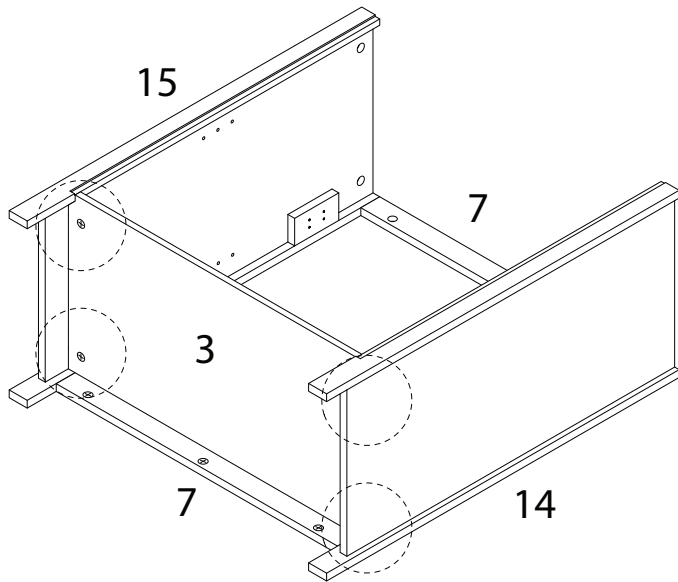


15

B

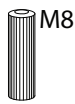


x 4

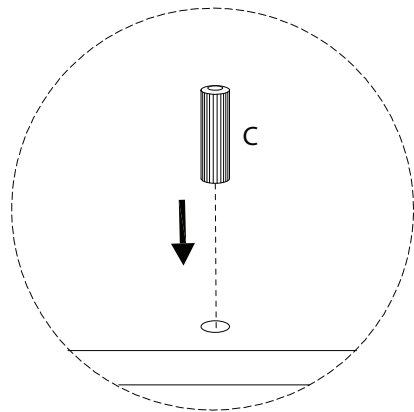
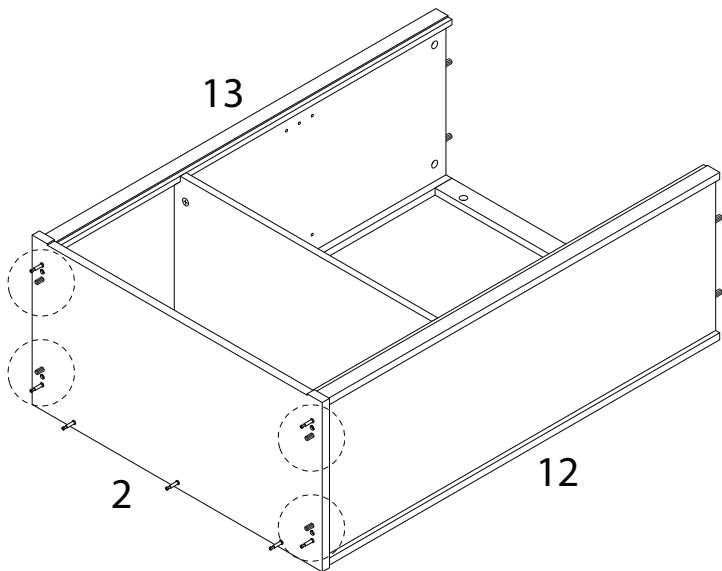


16

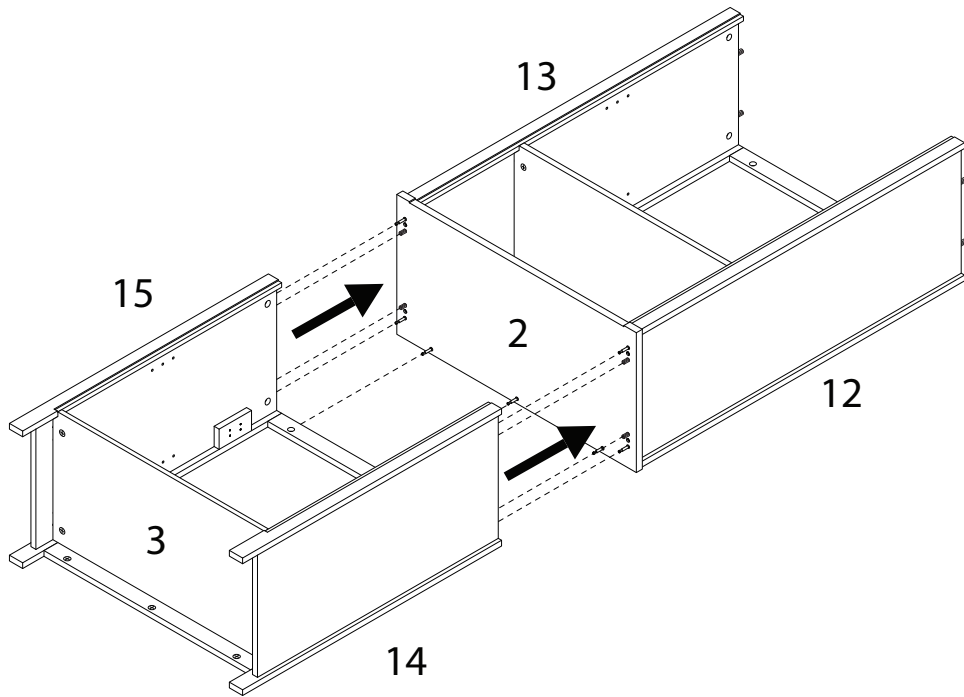
C



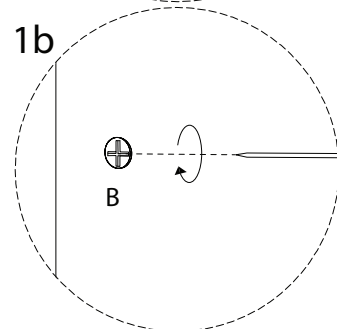
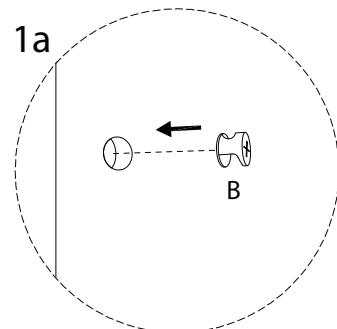
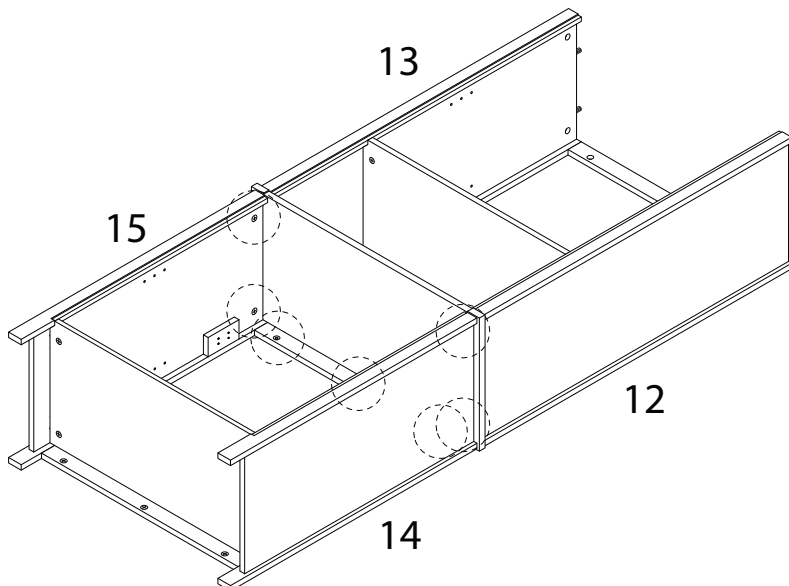
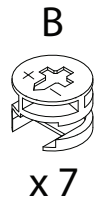
x 4



17

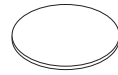


18

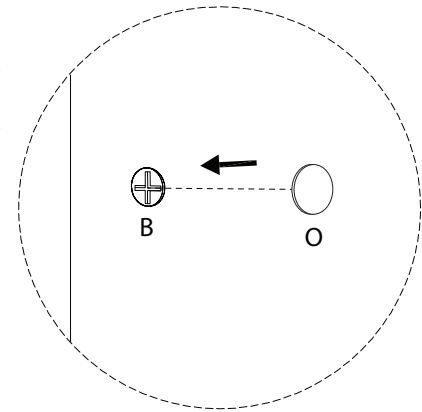
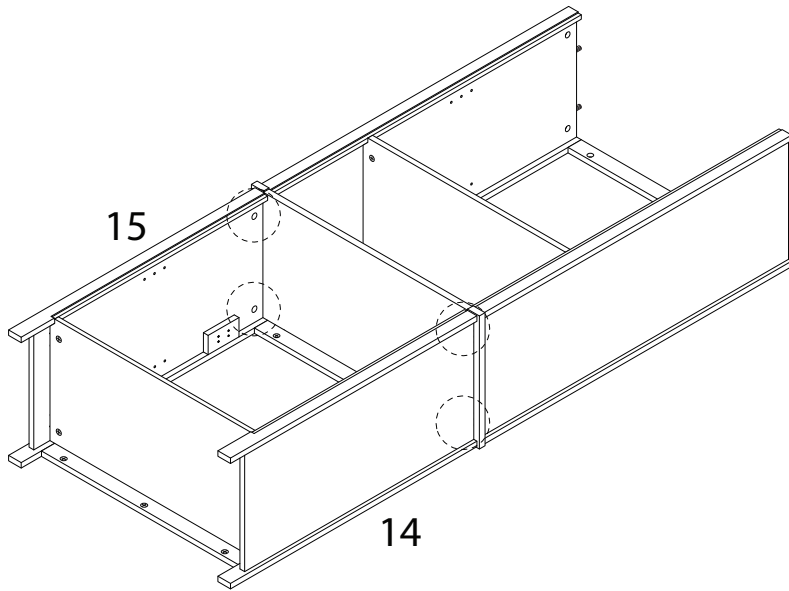


19

O

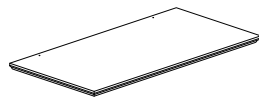


x 4



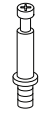
20

1

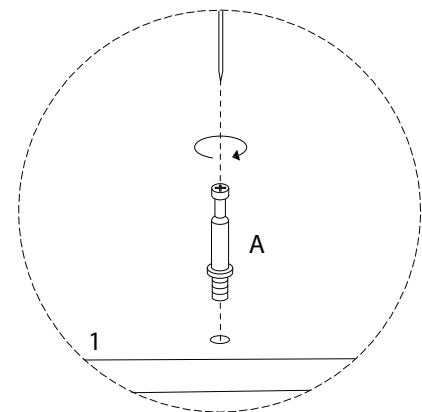
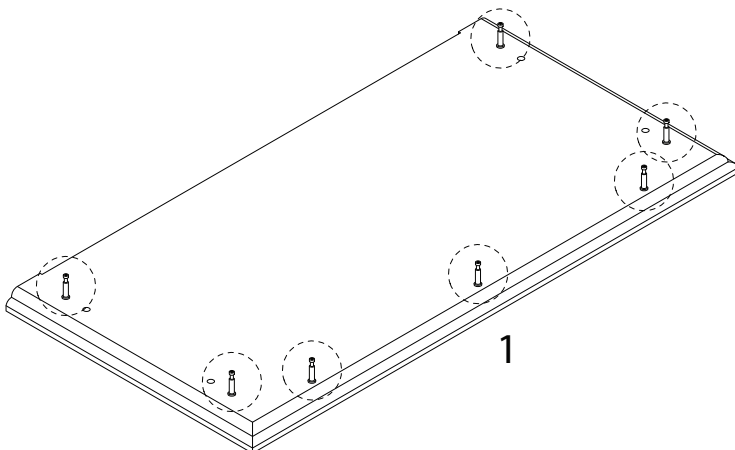


x 1

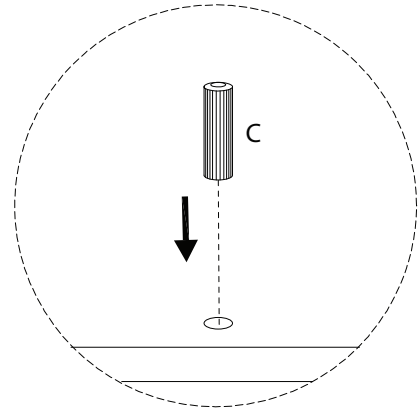
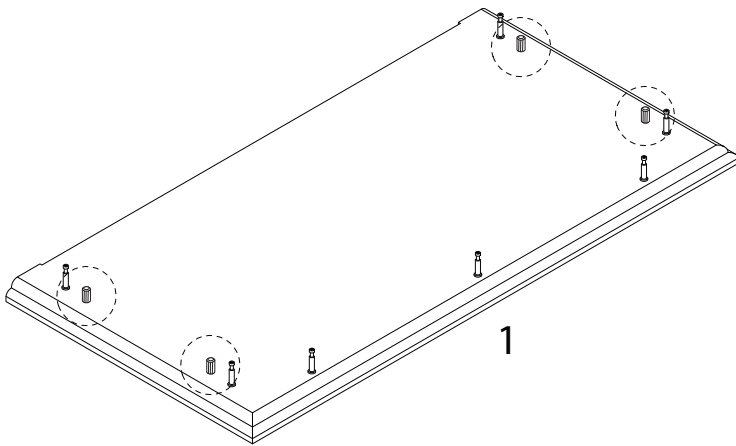
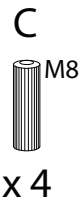
A



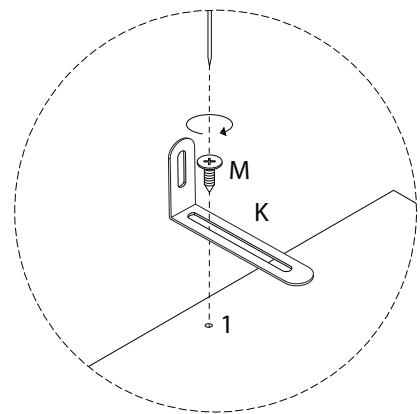
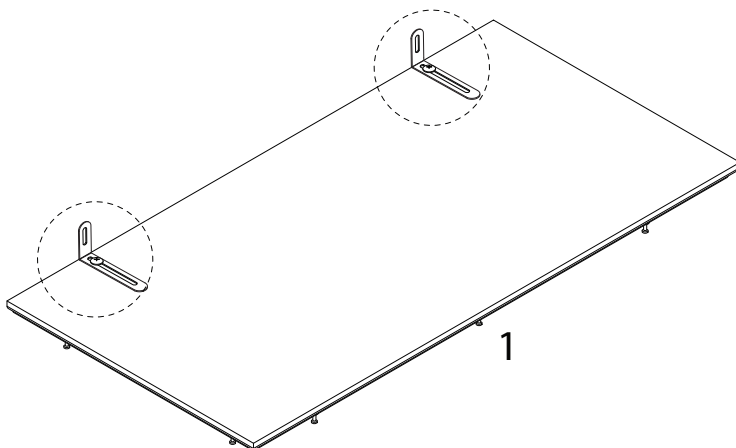
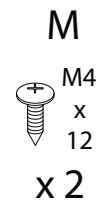
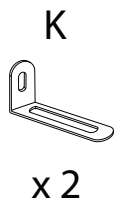
x 7



21

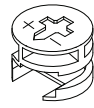


22

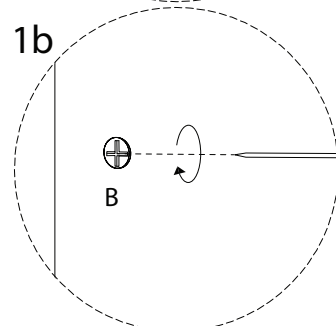
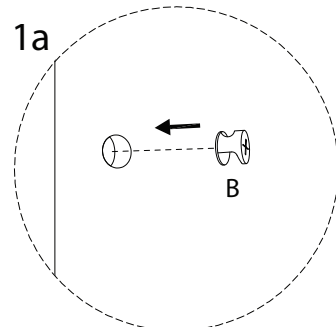
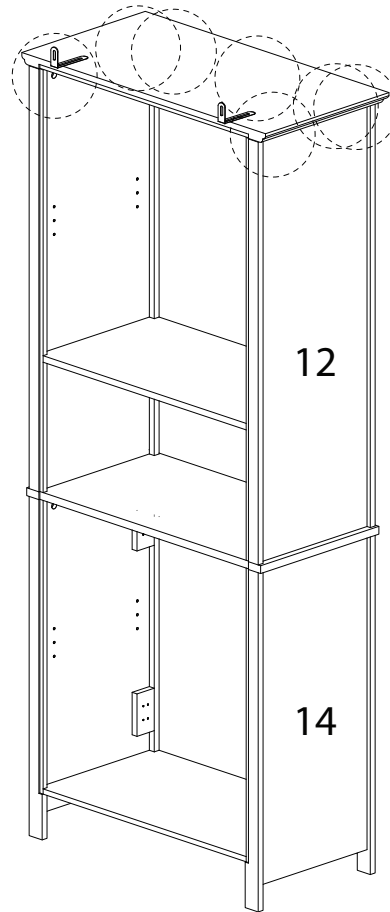
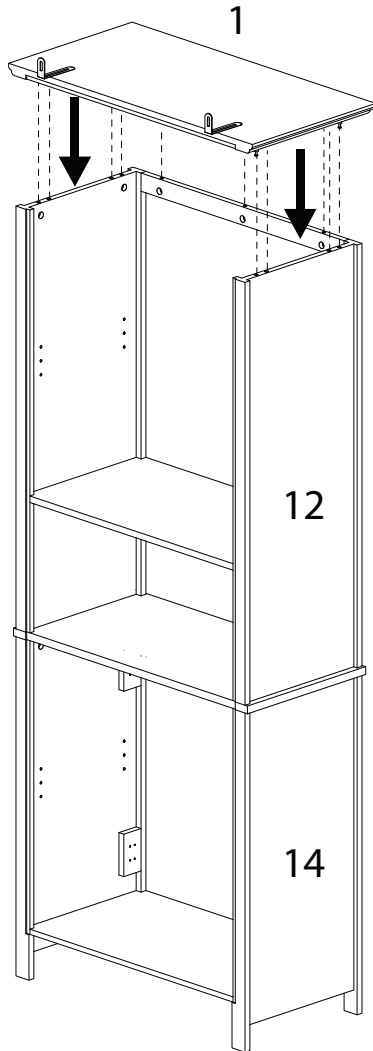


23

B

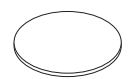


x 7

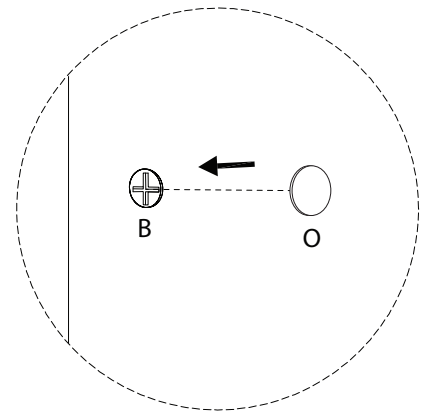
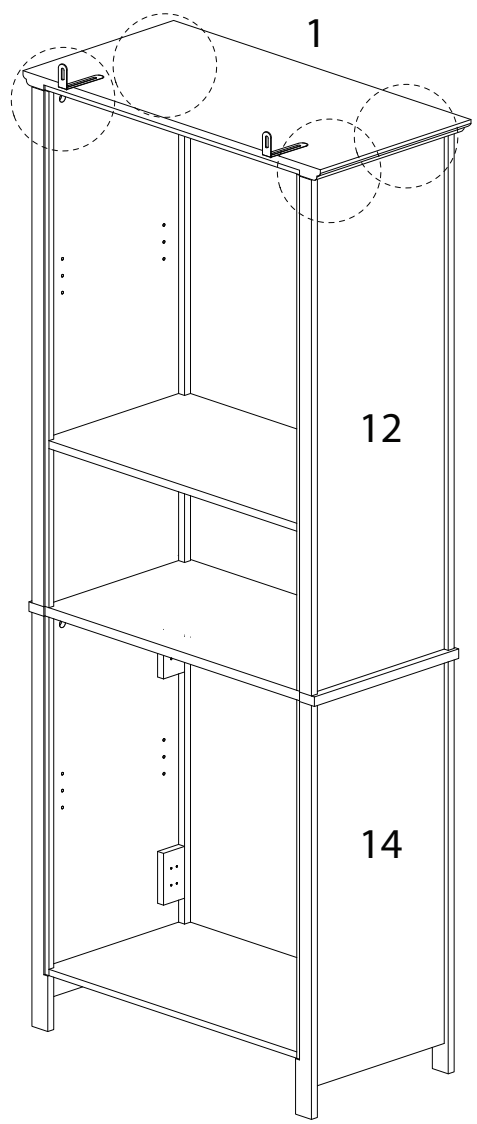


24

O



x 4



25

8



x 1

9



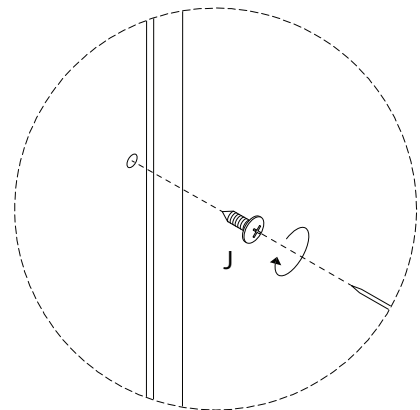
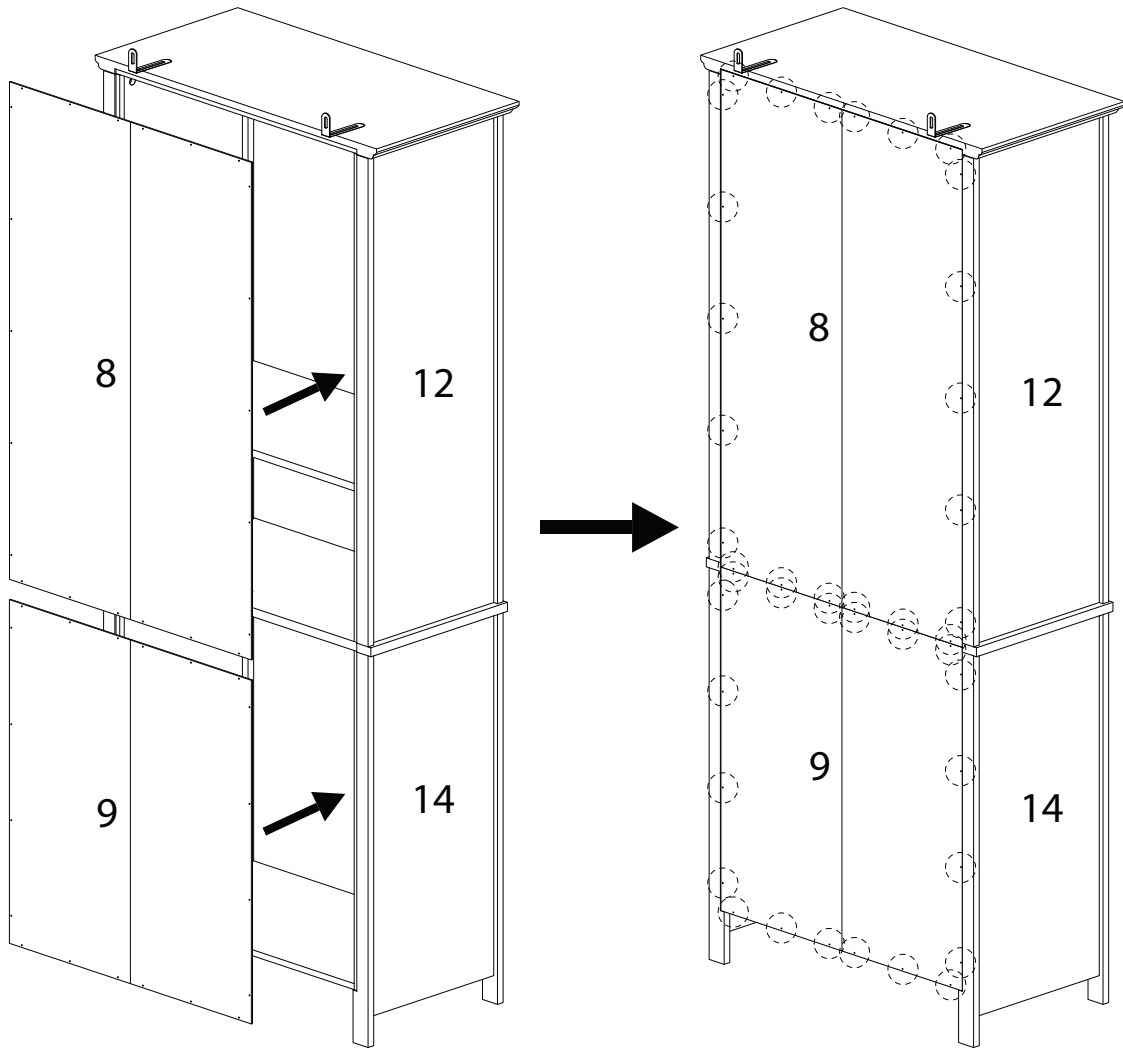
x 1

J






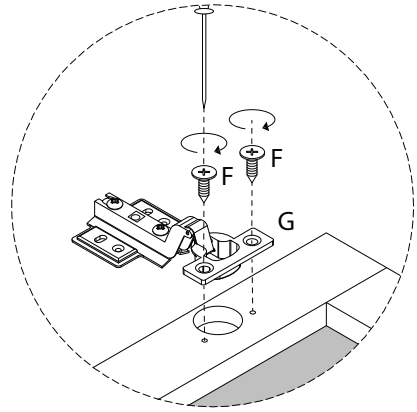
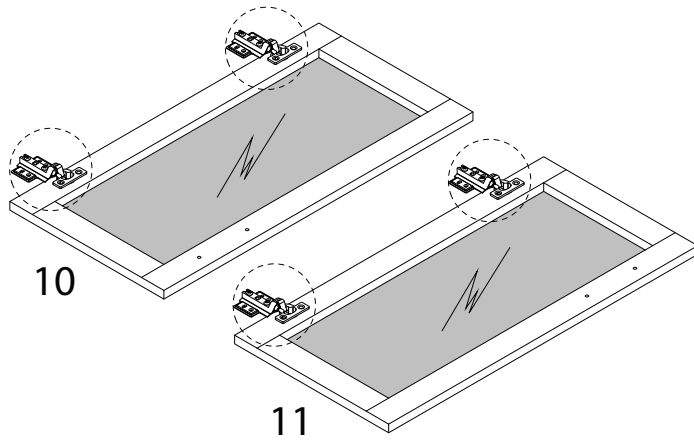
M2.5
x
14

x 42

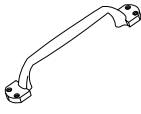



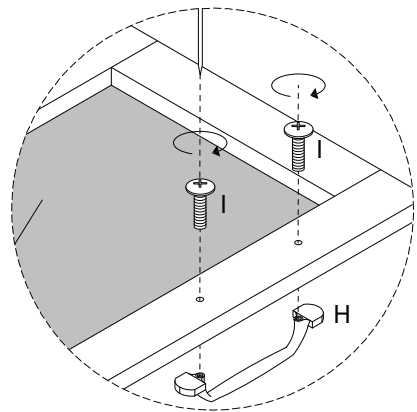
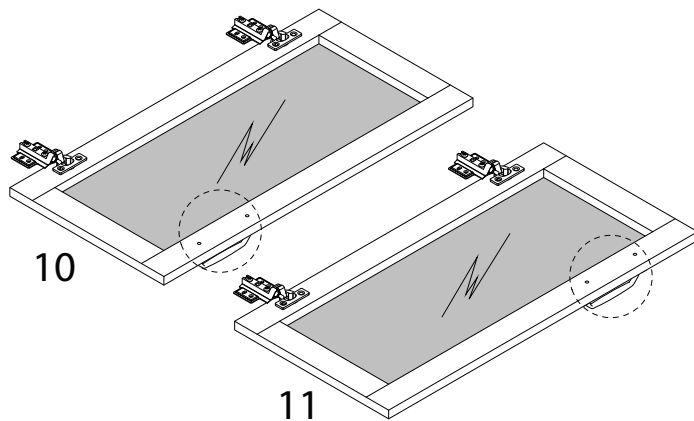
26

<p>10</p>  <p>x 1</p>	<p>11</p>  <p>x 1</p>	<p>F</p>  <p>M4 x 14</p> <p>x 8</p>	<p>G</p>  <p>x 4</p>
--	--	---	---



27

<p>H</p>  <p>x 2</p>	<p>I</p>  <p>M4 x 20</p> <p>x 4</p>
---	--



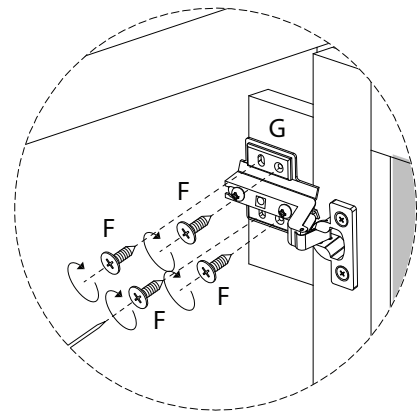
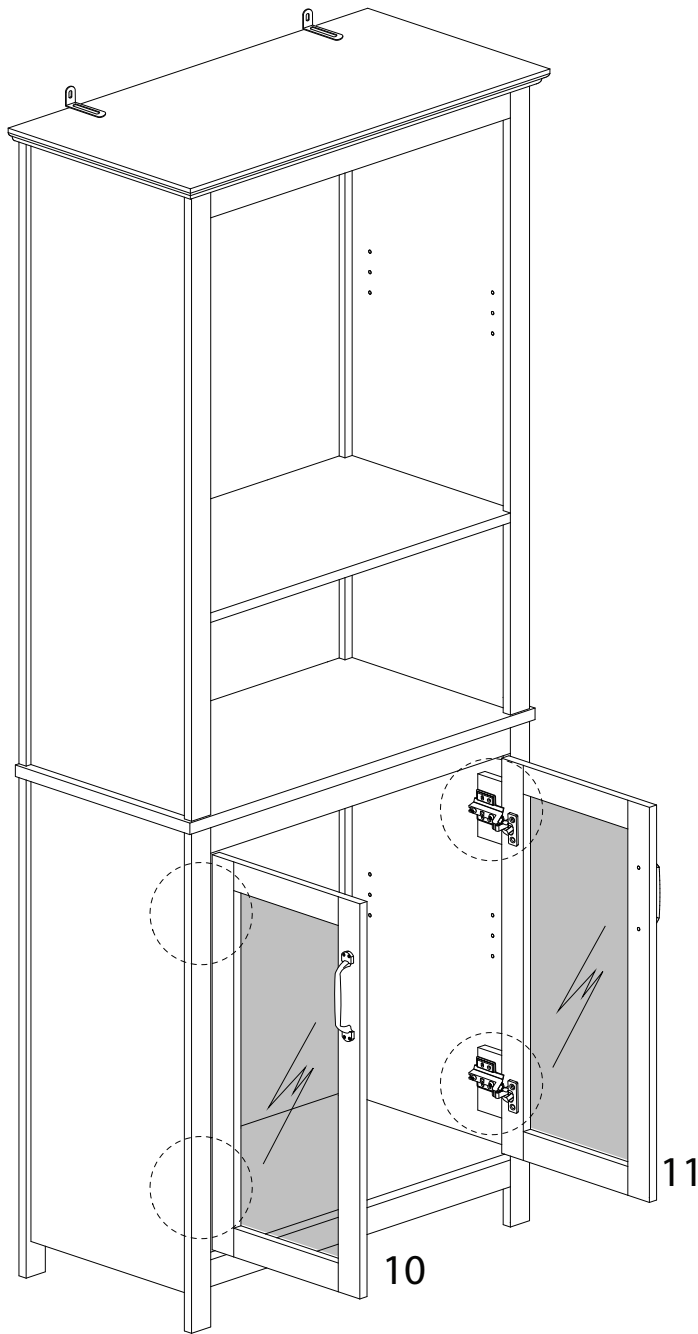
28

F



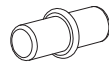
M4
x
14

x 16

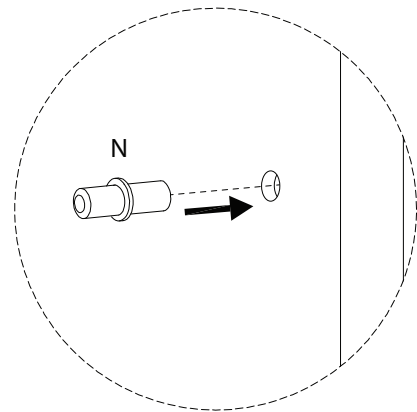
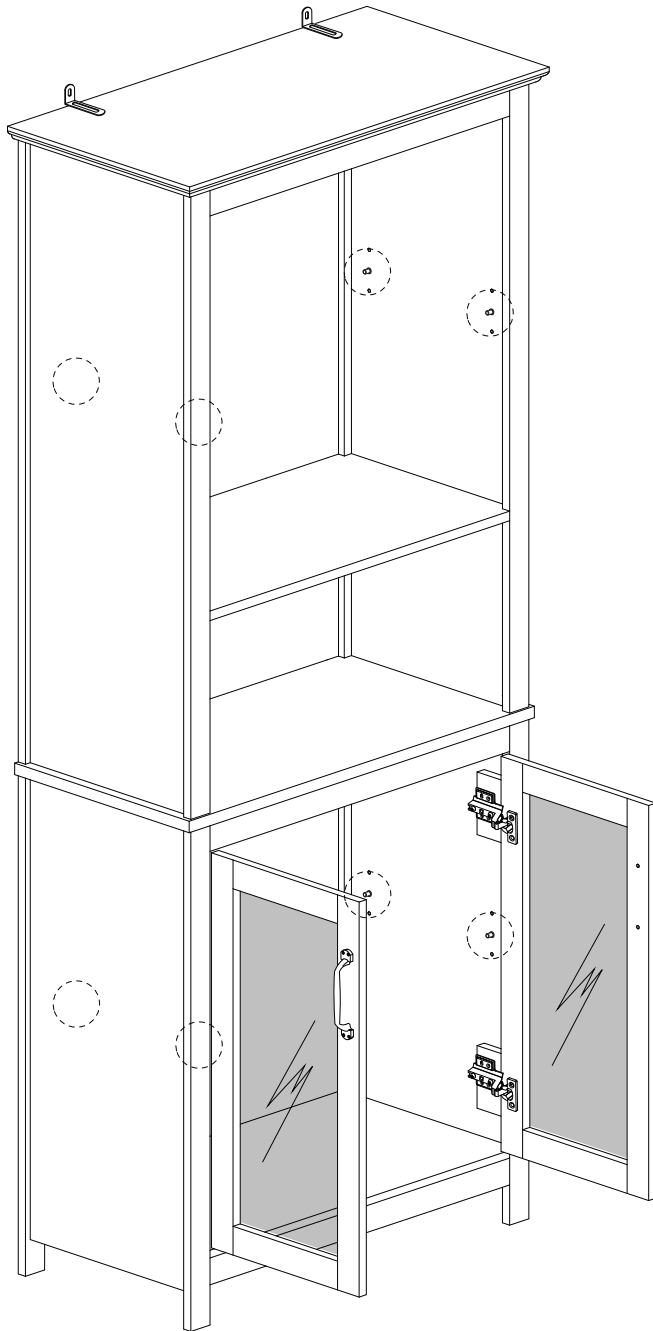


29

N

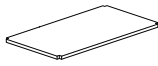


x 8



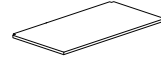
30

5

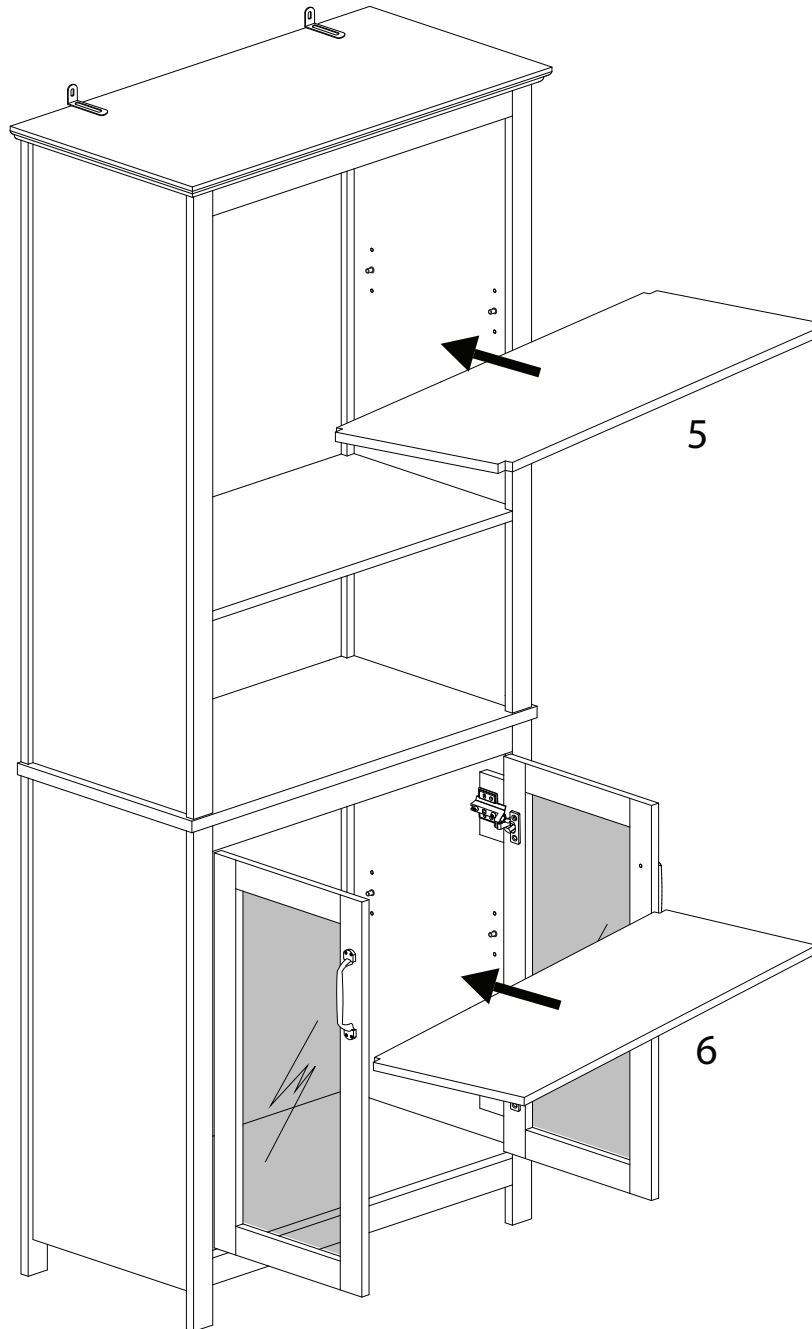


x 1

6



x 1



31

