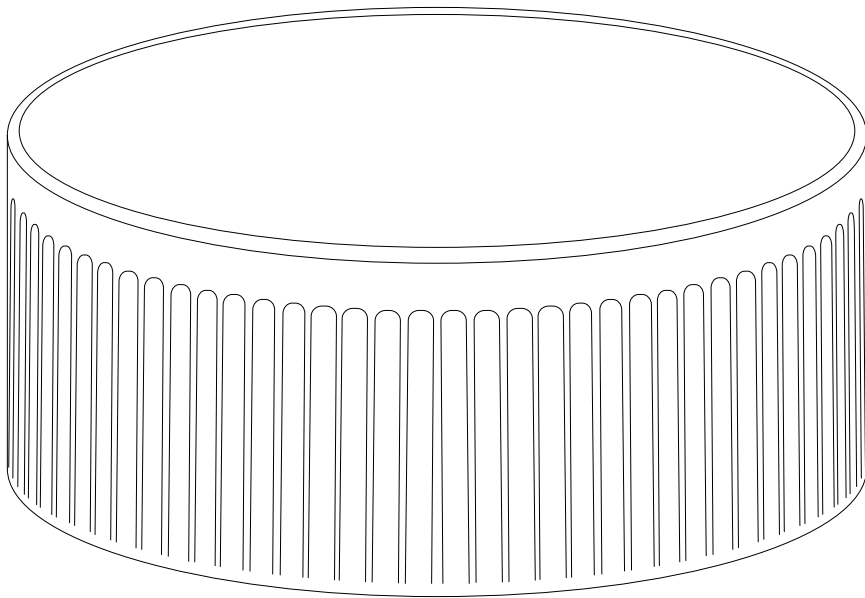
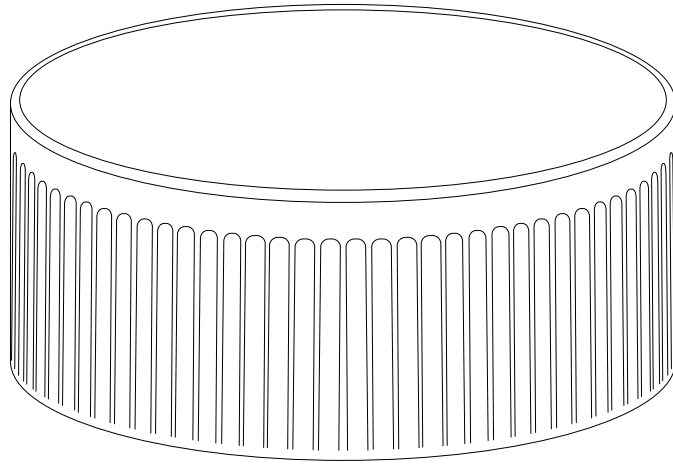


# GELDO





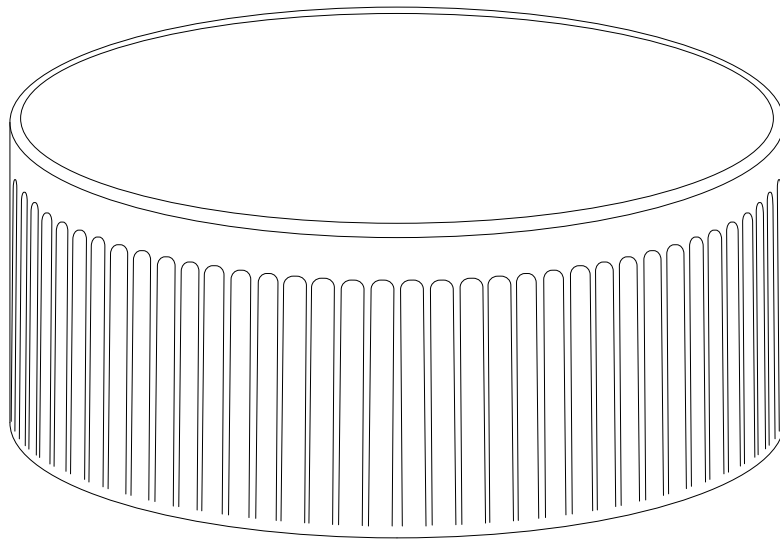
Tools and materials required for the assembly:

- Top row: Pencil, marker, tape measure, and power drill. Includes a warning triangle icon.
- Bottom row: A circular inset showing a rectangular block on a textured surface, and a diagram of a block with a diagonal cut. Includes a warning triangle icon.

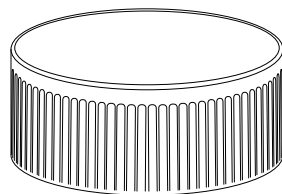
Estimated time: 20'

Number of people: 1

A

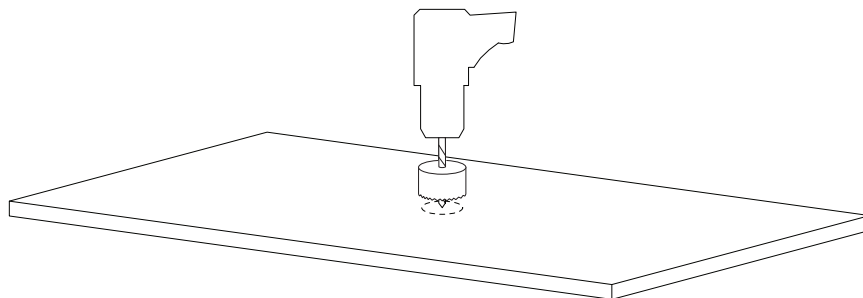
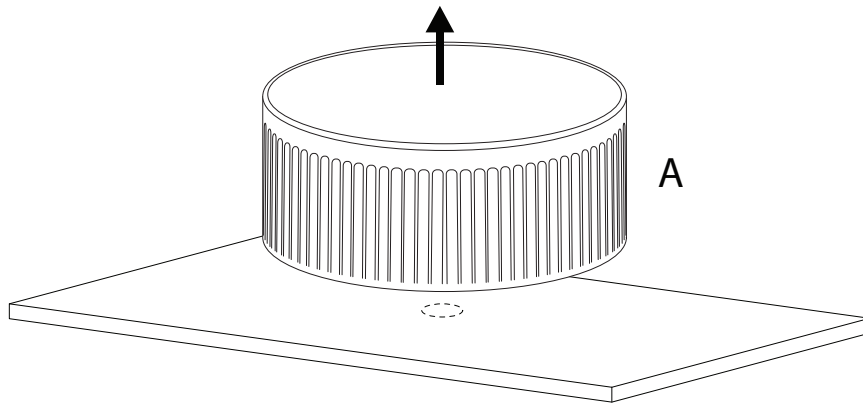
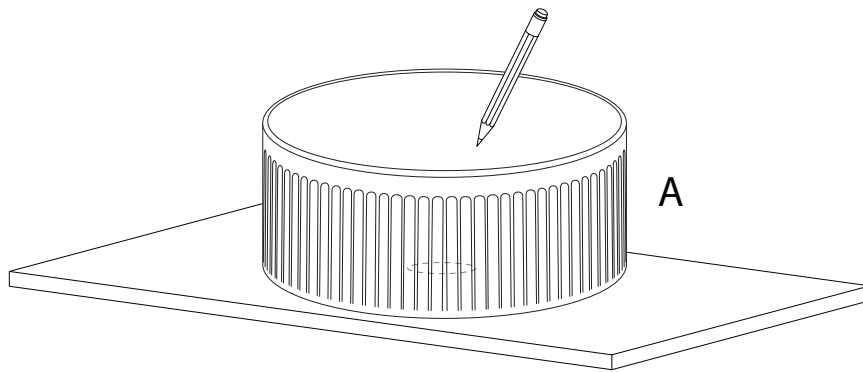
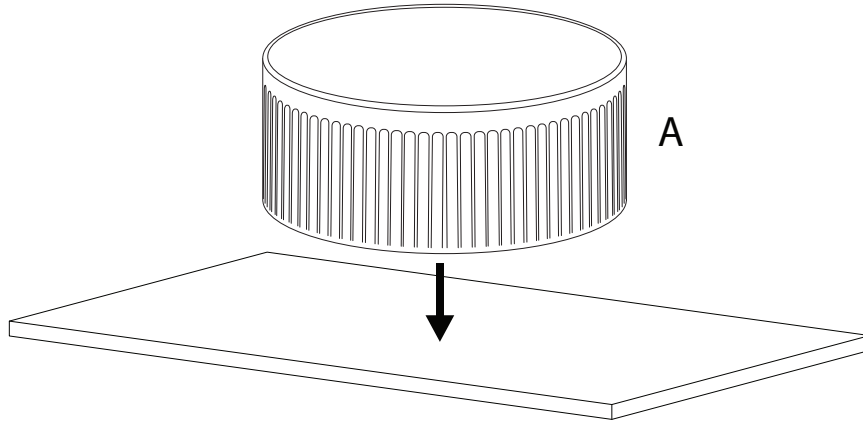
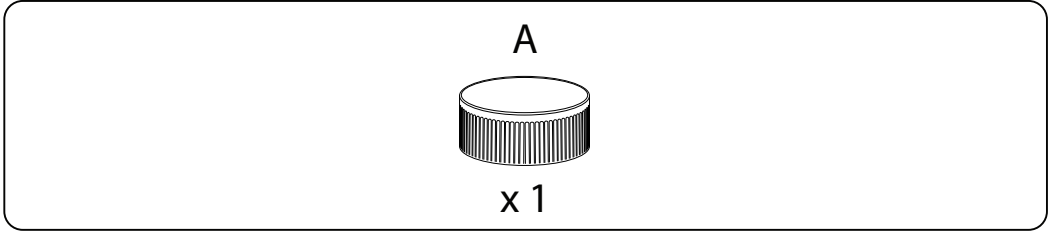


A

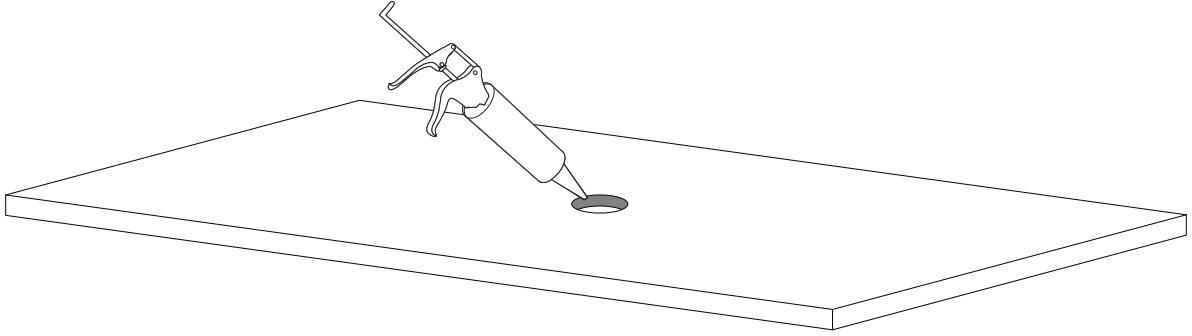


x 1

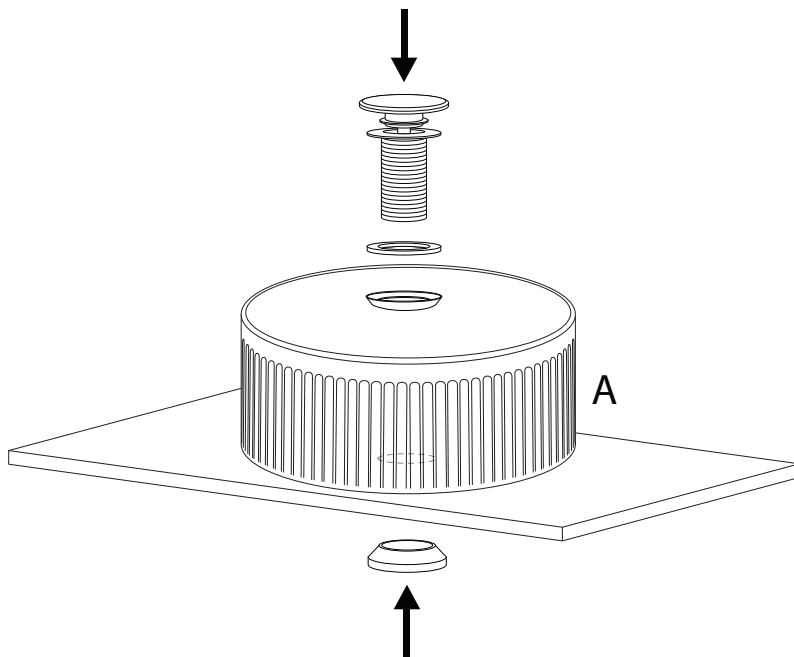
1



2



!



4/5

3

