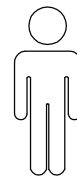
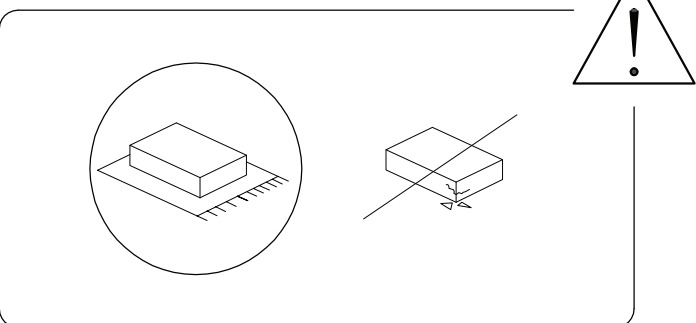
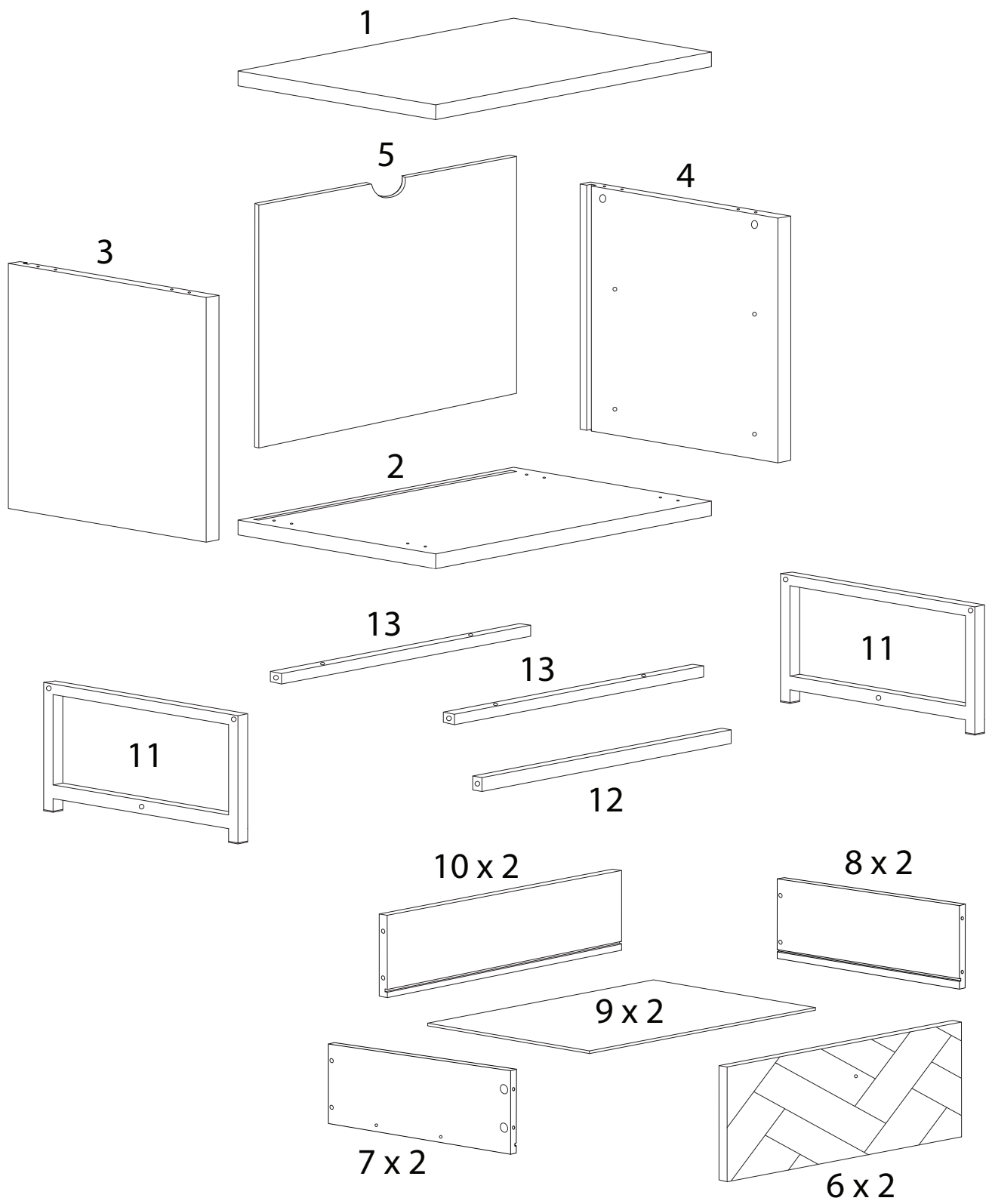
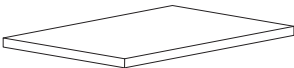
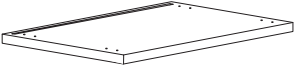
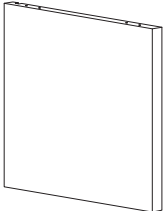
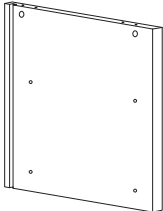


40'

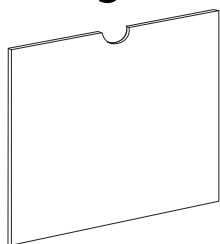


1



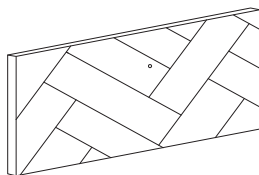
<p>1</p>  <p>x 1</p>	<p>2</p>  <p>x 1</p>	<p>3</p>  <p>x 1</p>	<p>4</p>  <p>x 1</p>
---	---	--	---

5



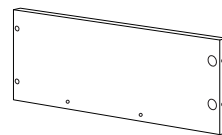
x 1

6



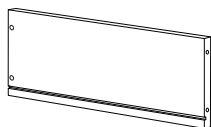
x 2

7



x 2

8



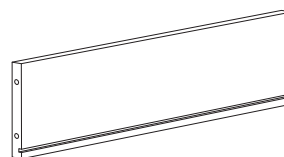
x 2

9



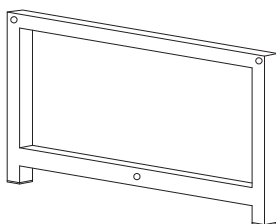
x 2

10



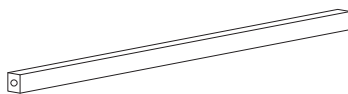
x 2

11



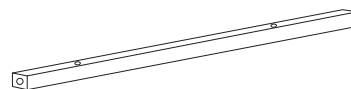
x 2

12



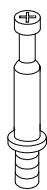
x 1

13



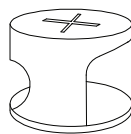
x 2

A



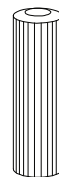
x 12

B



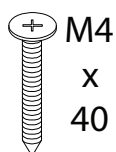
x 12

C



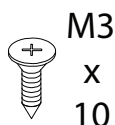
x 8

D



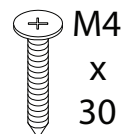
x 4

E



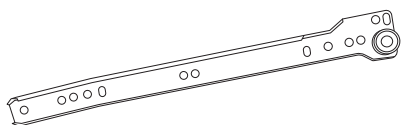
x 16

F



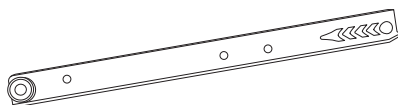
x 8

G



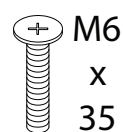
x 4

H



x 4

I



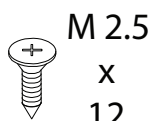
x 6

J



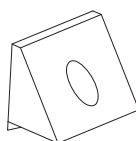
x 4

N



x 4

O



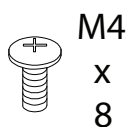
x 4

P1



x 2

P2



x 2

P3



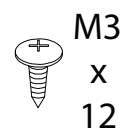
x 2

W



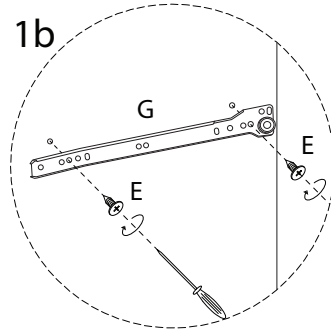
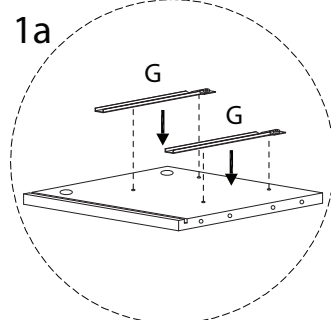
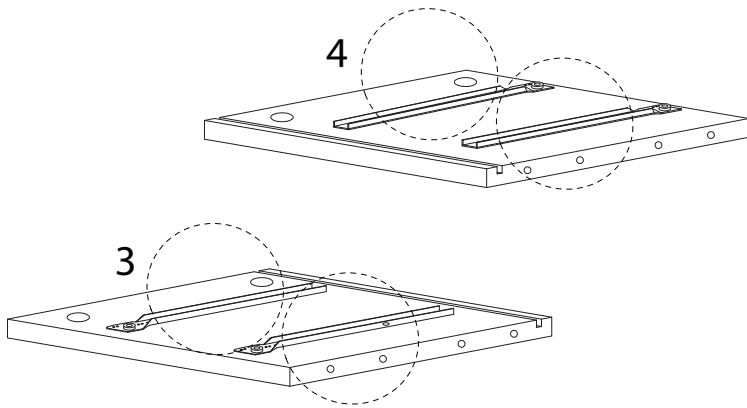
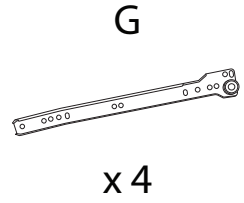
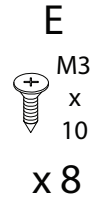
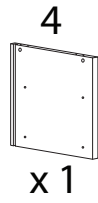
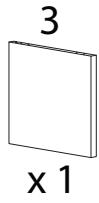
x 1

Y

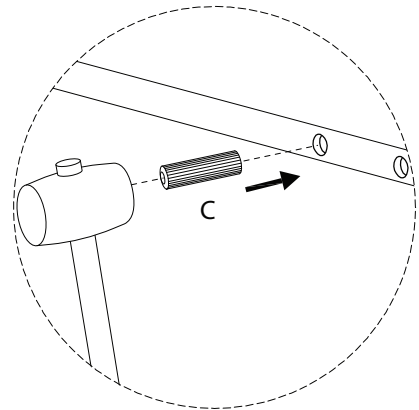
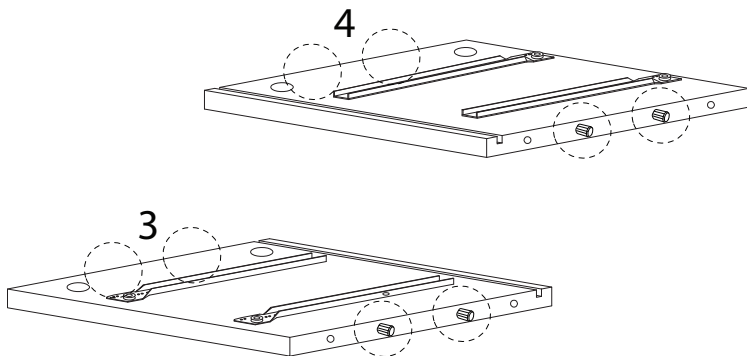
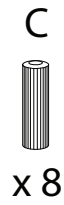


x 1

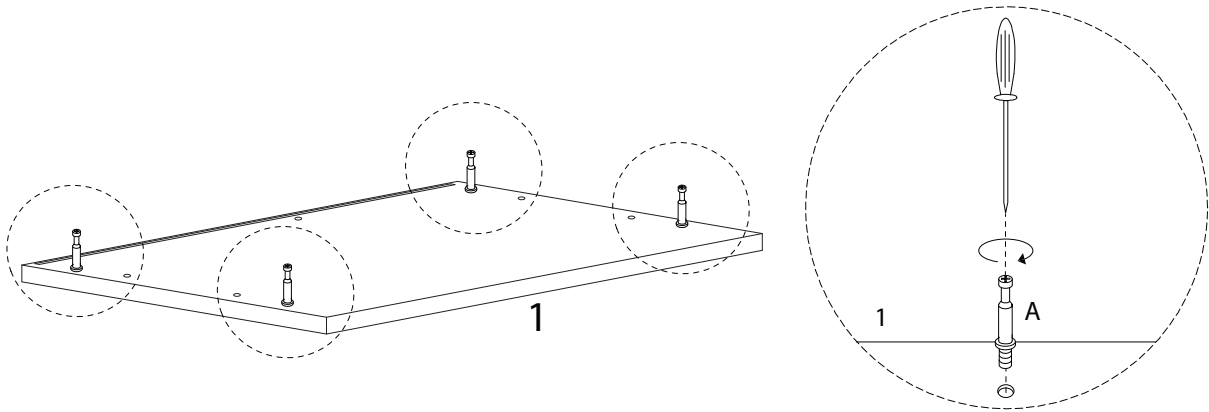
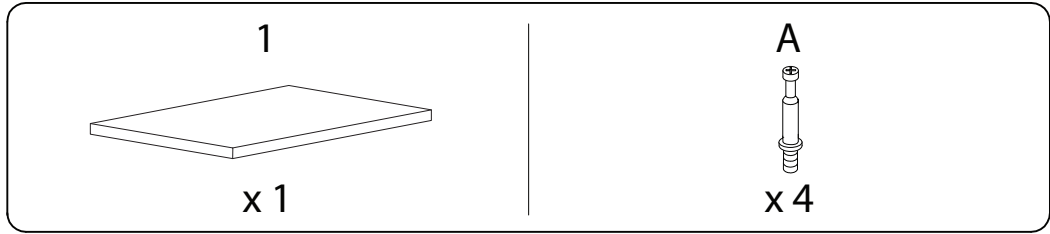
1



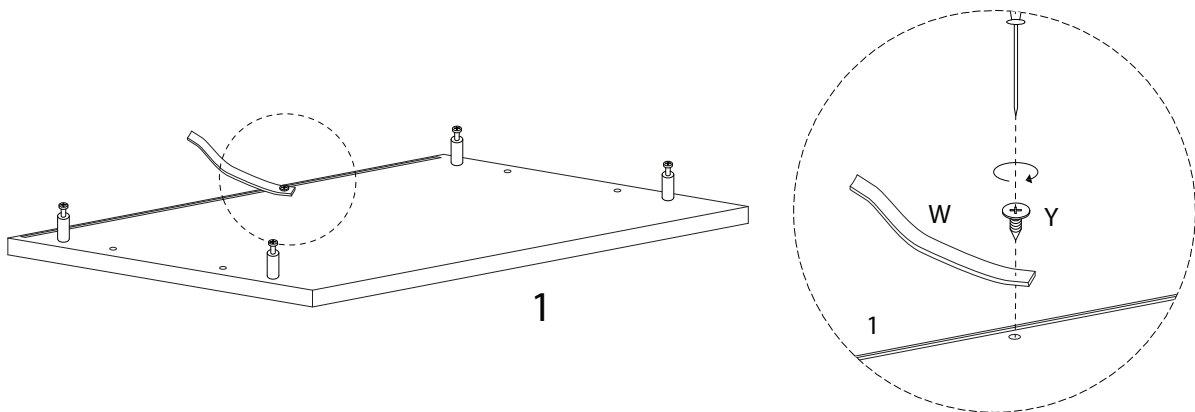
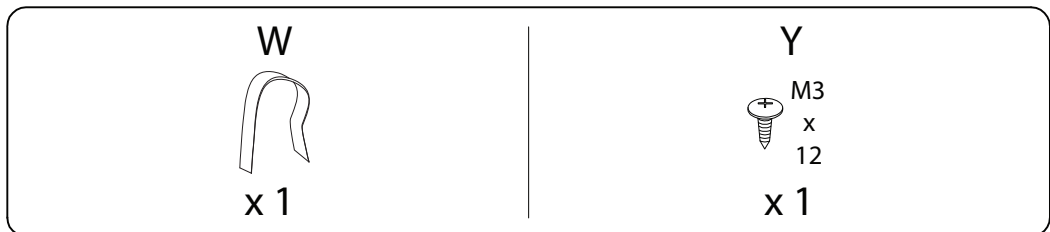
2



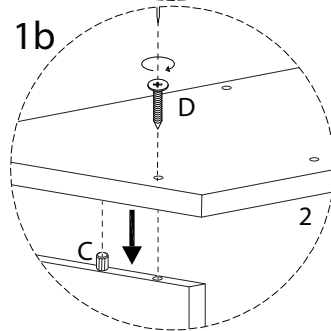
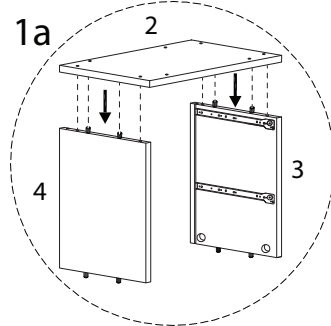
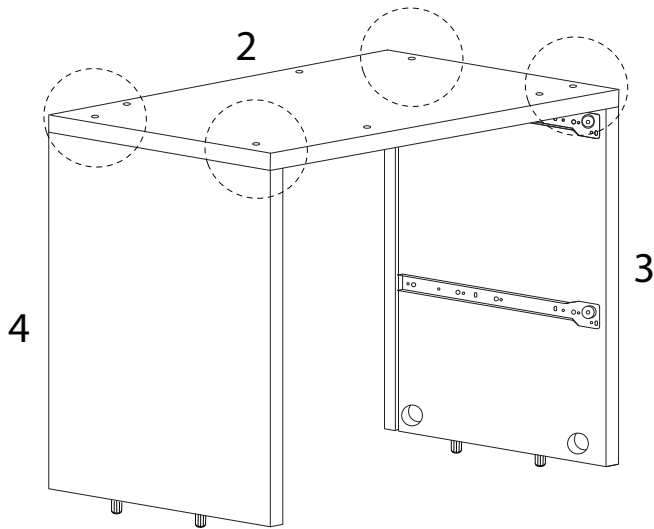
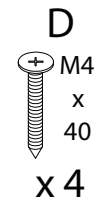
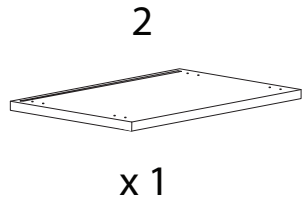
3



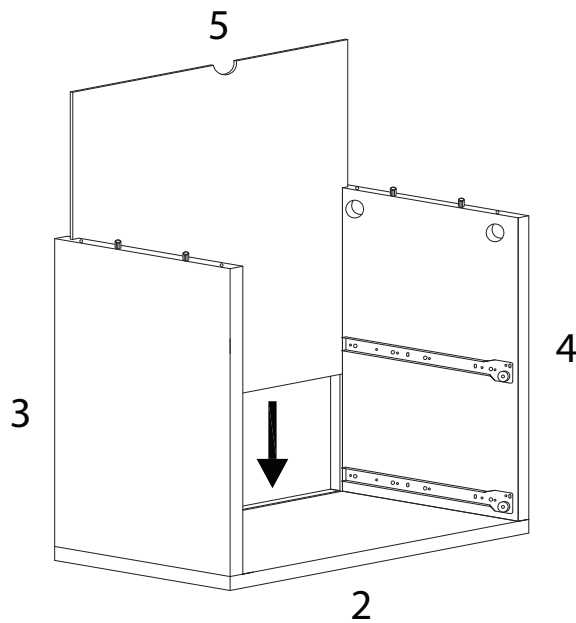
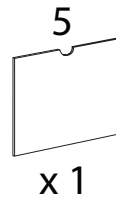
4



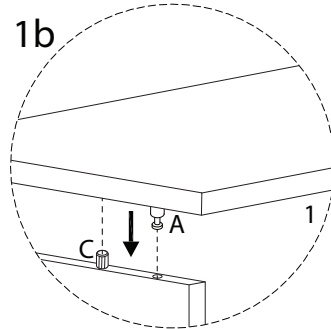
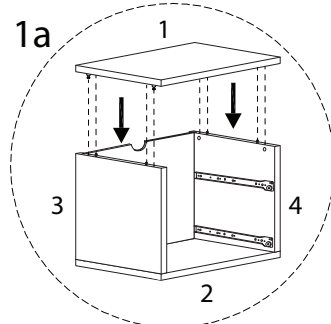
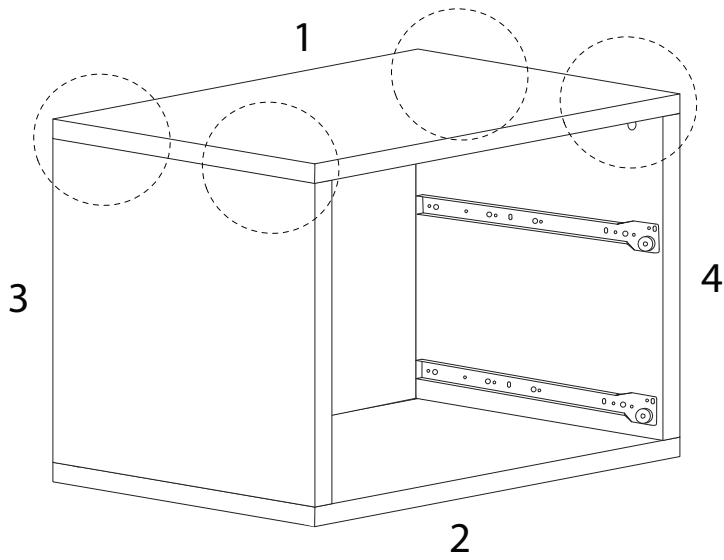
5



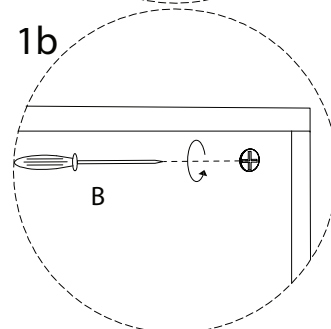
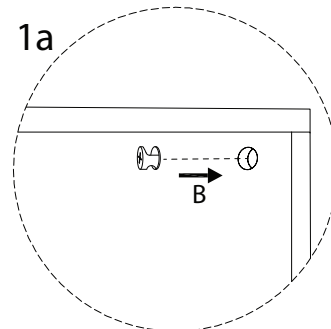
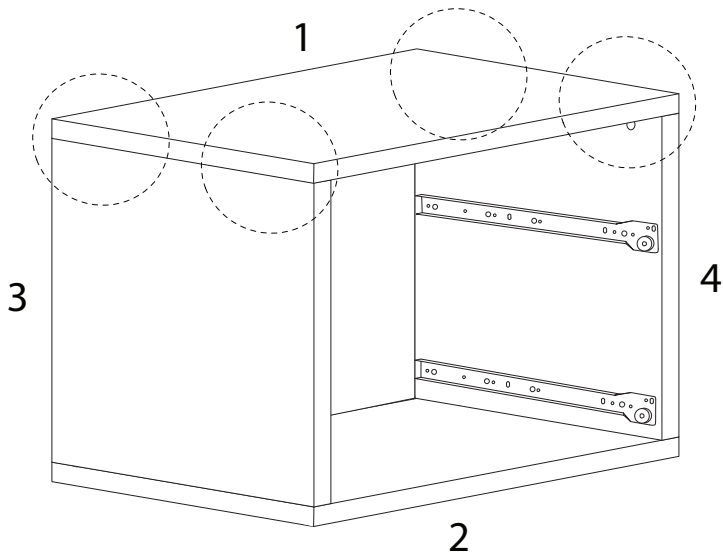
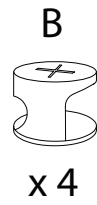
6



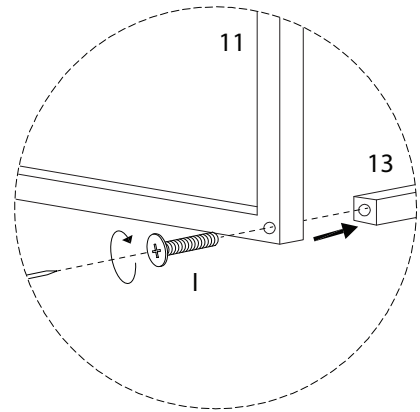
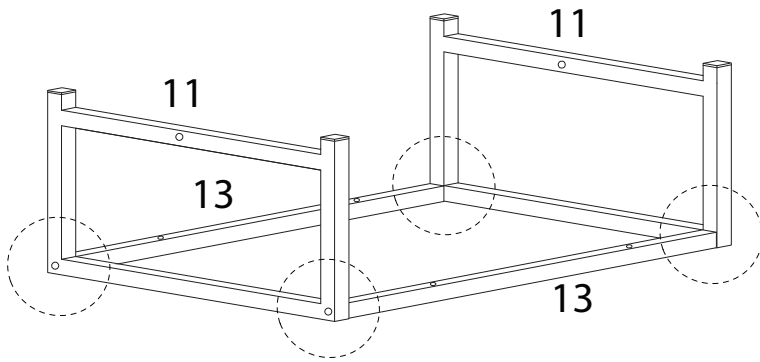
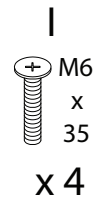
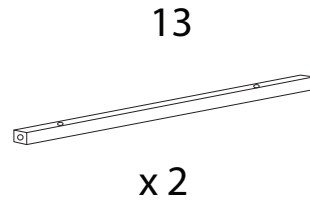
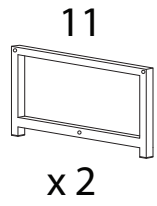
7



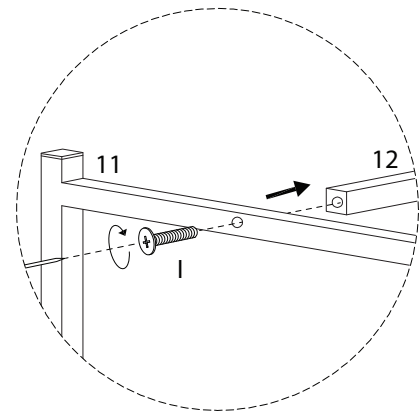
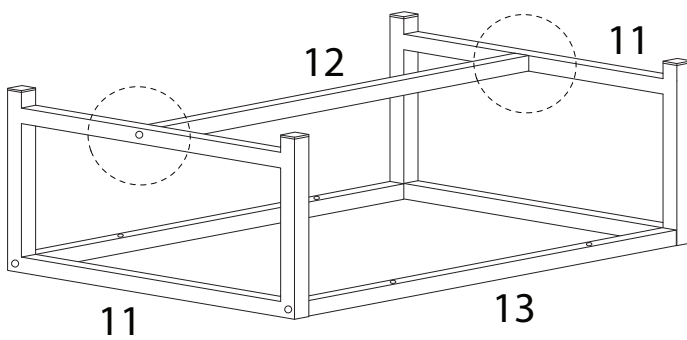
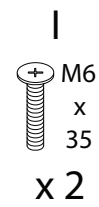
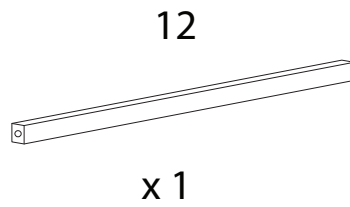
8



9



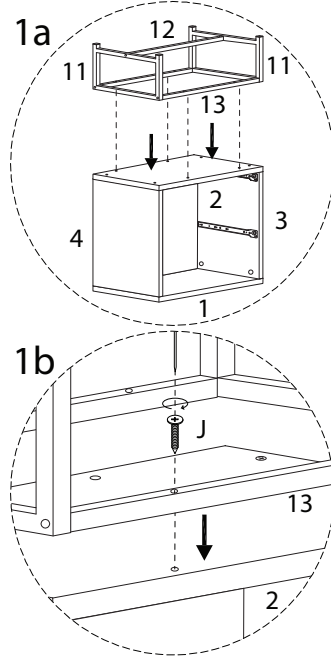
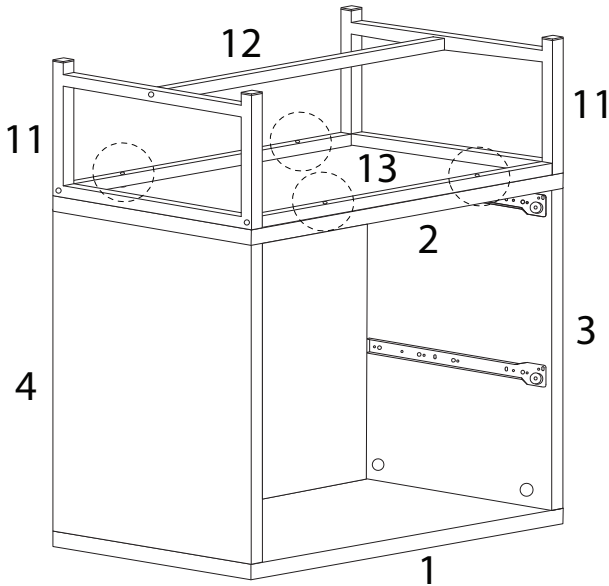
10



11

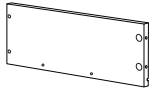
J

M4
x
25
x 4



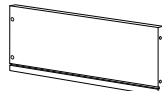
12 x 2

7



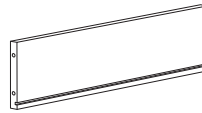
x 1

8



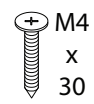
x 1

10

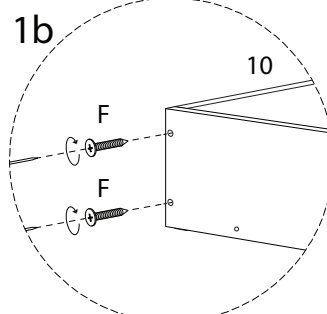
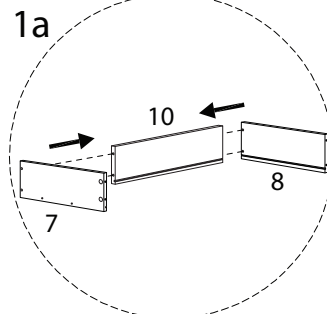
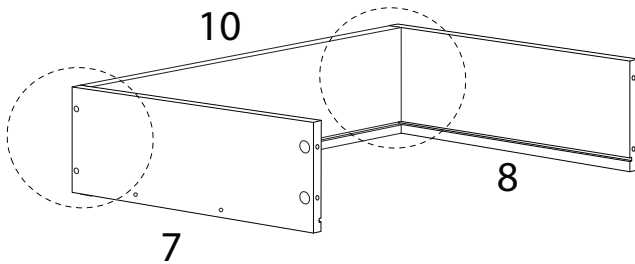


x 1

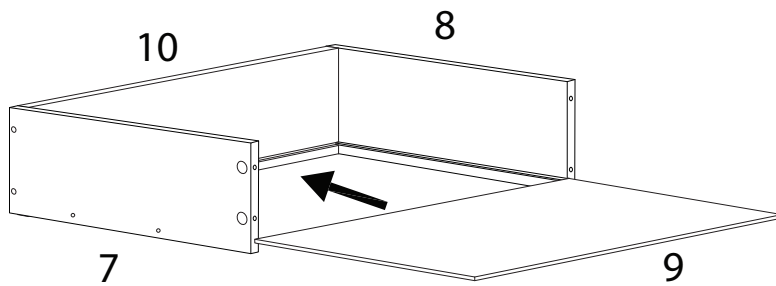
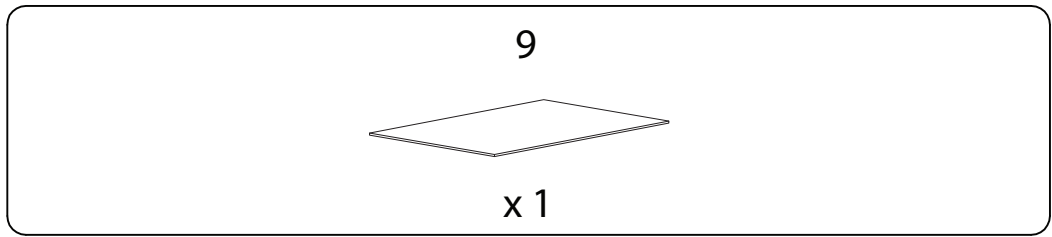
F



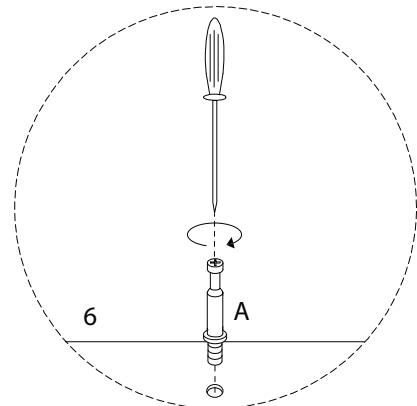
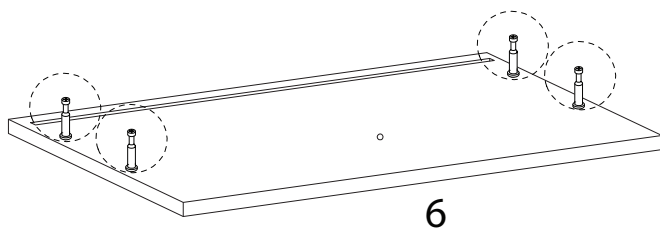
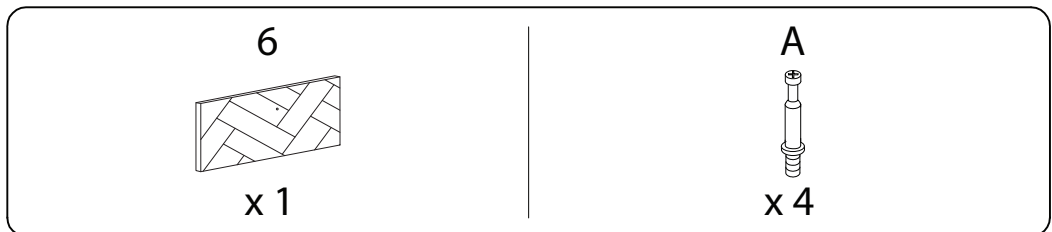
M4
x
30
x 4



13 x 2



14 x 2



15 x 2

P1



x 1

P2

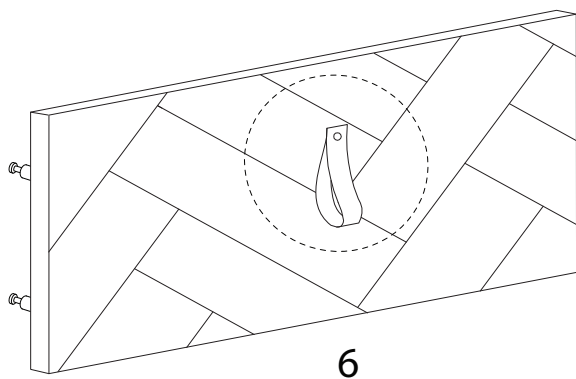


x 1

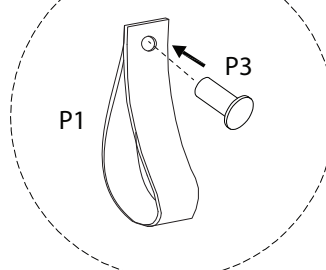
P3



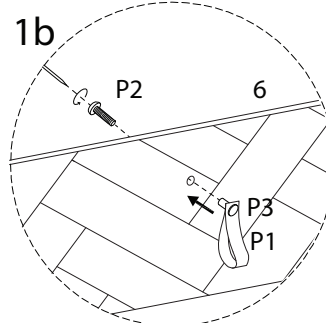
x 1



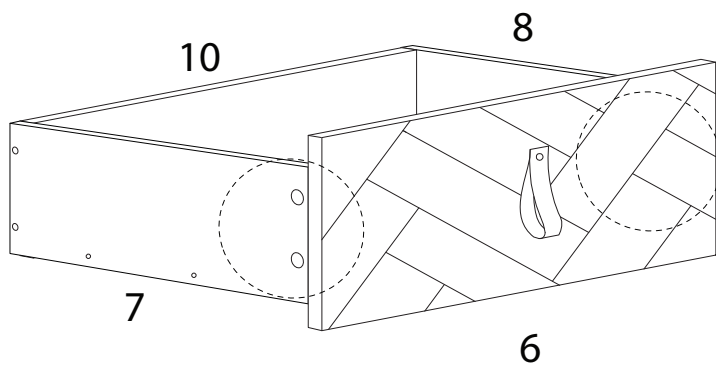
1a



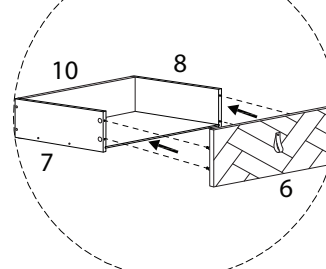
1b



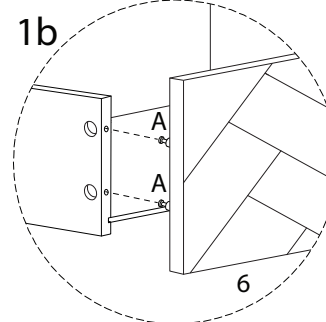
16 x 2



1a



1b

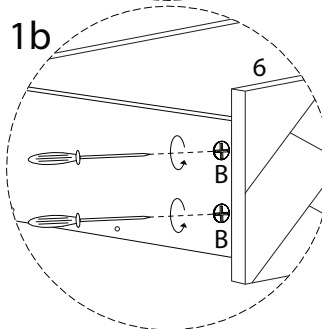
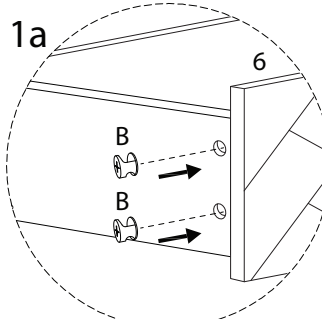
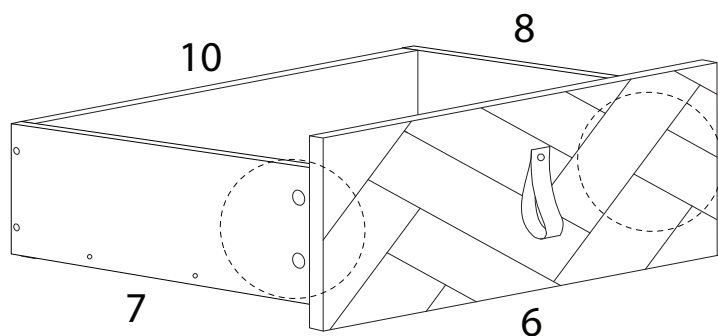


17 x 2

B



x 4



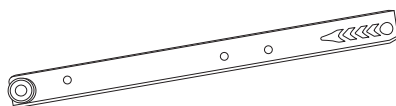
18 x 2

E

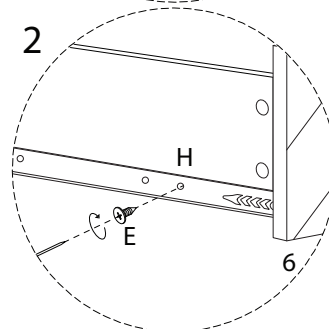
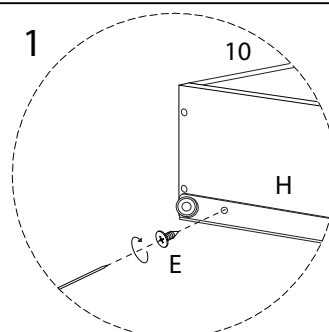
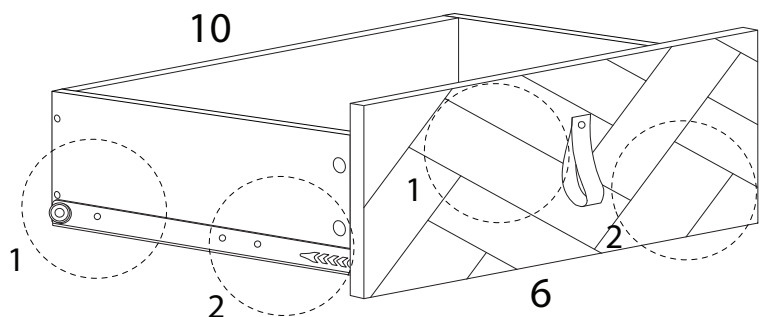


x 4

H



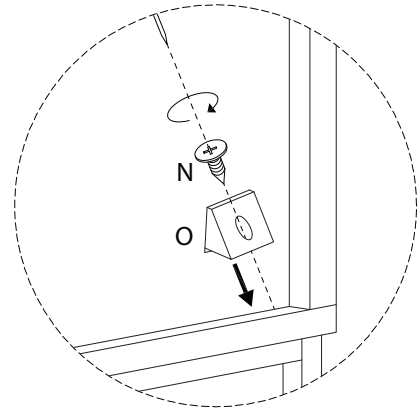
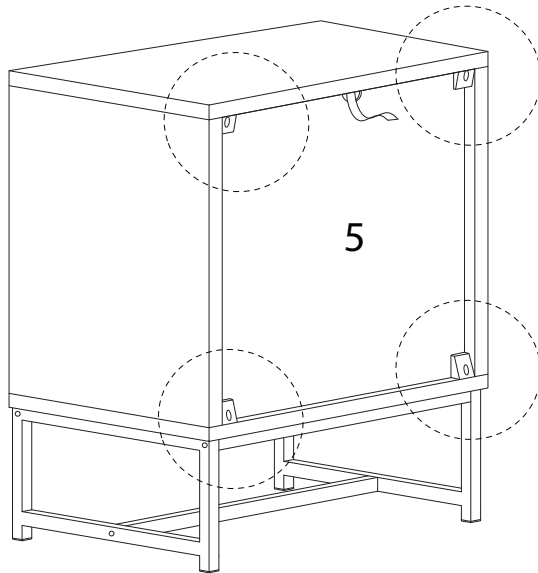
x 2



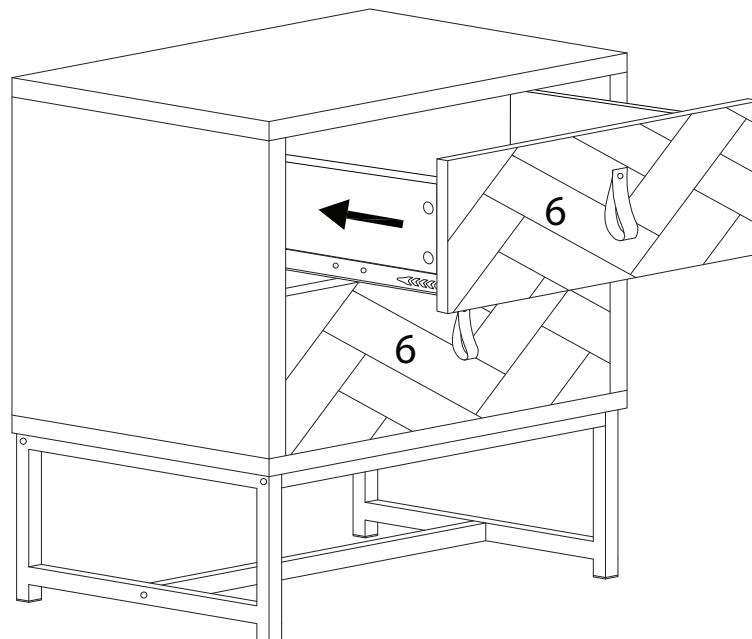
19

N
M2.5
x
12
x4

O
x4



20



!

