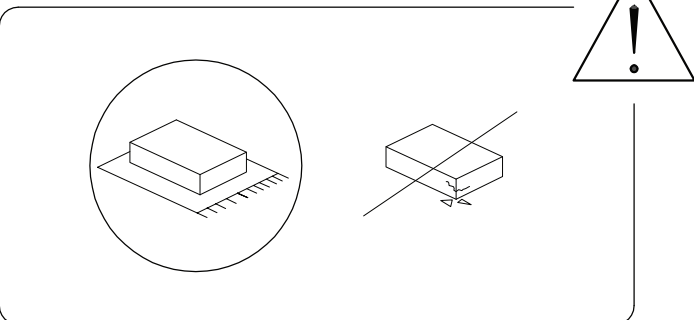
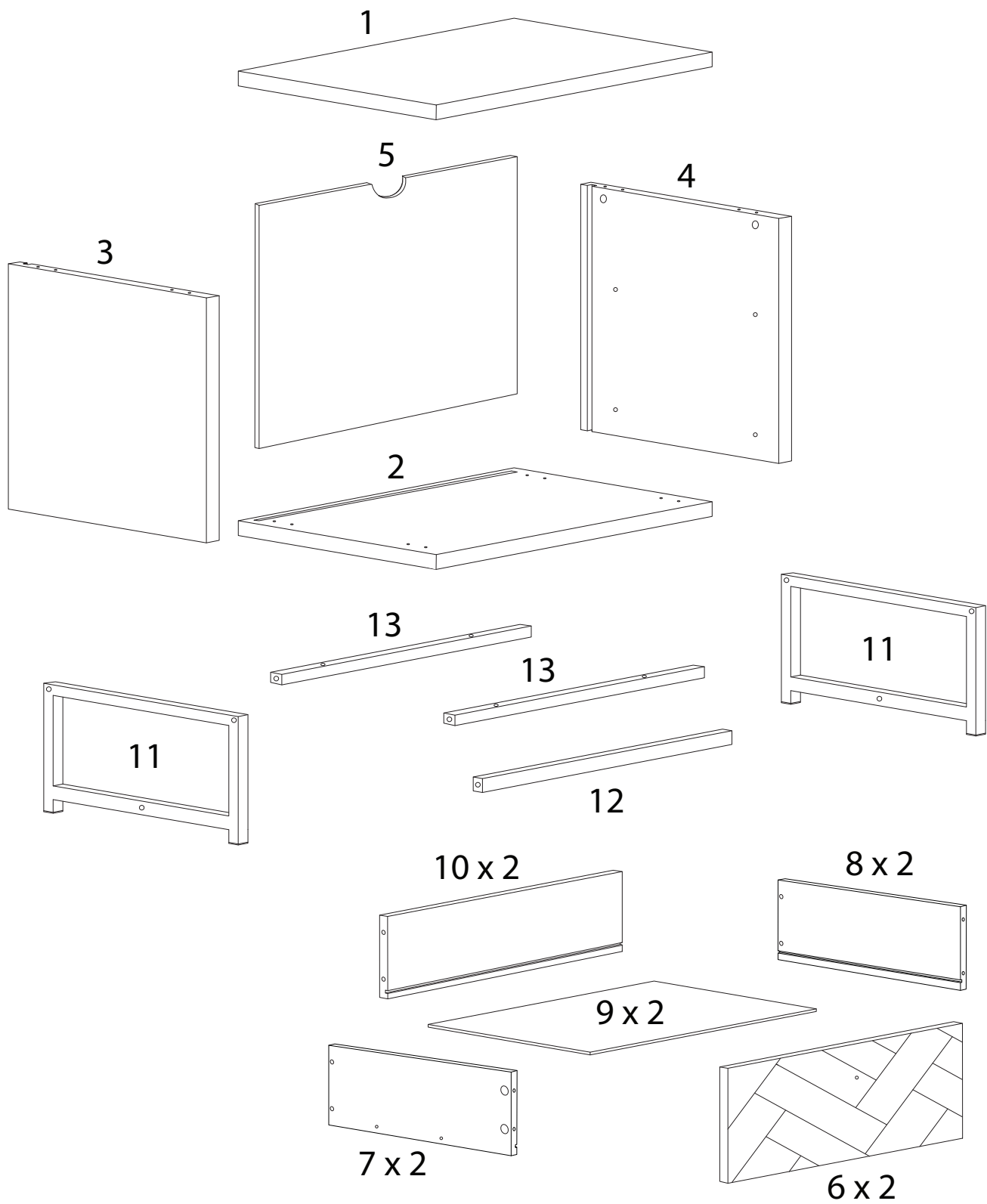

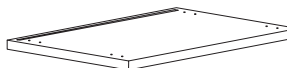
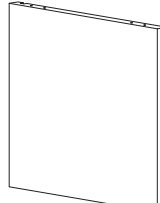
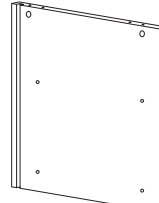


40'

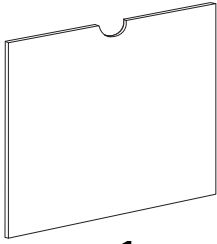


1



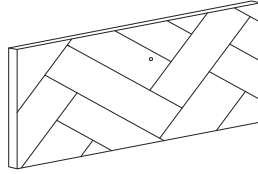
<p style="text-align: center;"><b>1</b></p>  <p style="text-align: center;"><b>x 1</b></p>	<p style="text-align: center;"><b>2</b></p>  <p style="text-align: center;"><b>x 1</b></p>	<p style="text-align: center;"><b>3</b></p>  <p style="text-align: center;"><b>x 1</b></p>	<p style="text-align: center;"><b>4</b></p>  <p style="text-align: center;"><b>x 1</b></p>
---	---	--	---

5



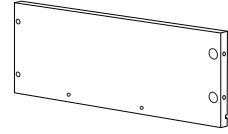
x 1

6



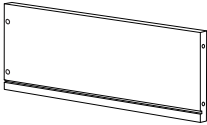
x 2

7



x 2

8



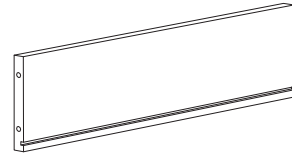
x 2

9



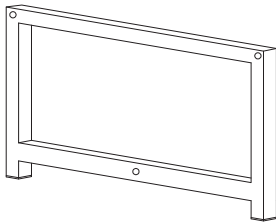
x 2

10



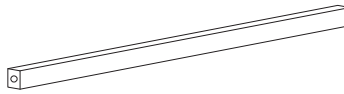
x 2

11



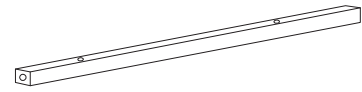
x 2

12



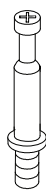
x 1

13



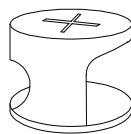
x 2

A



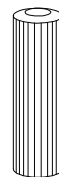
x 12

B



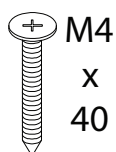
x 12

C



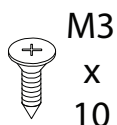
x 8

D



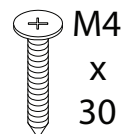
x 4

E



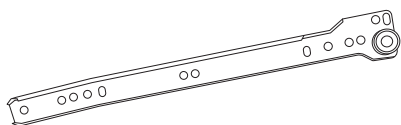
x 16

F



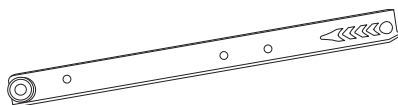
x 8

G



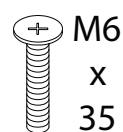
x 4

H



x 4

I



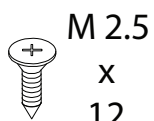
x 6

J



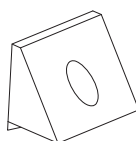
x 4

N



x 4

O



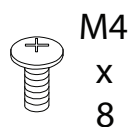
x 4

P1



x 2

P2



x 2

P3



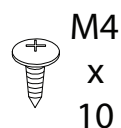
x 2

W



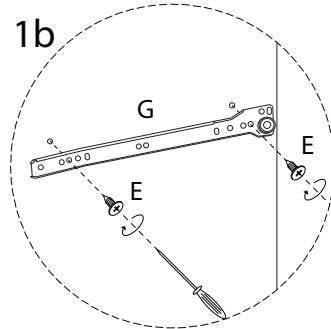
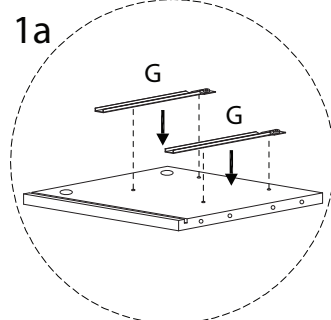
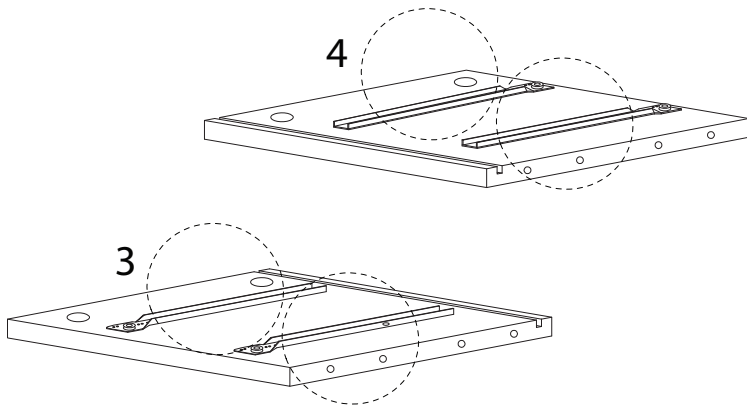
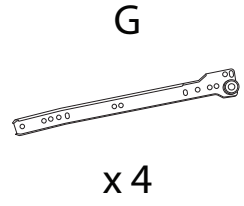
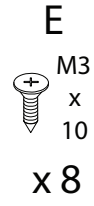
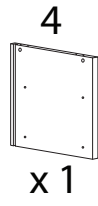
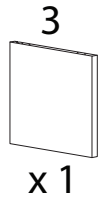
x 1

Y

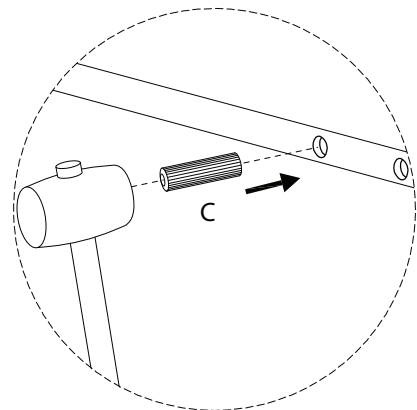
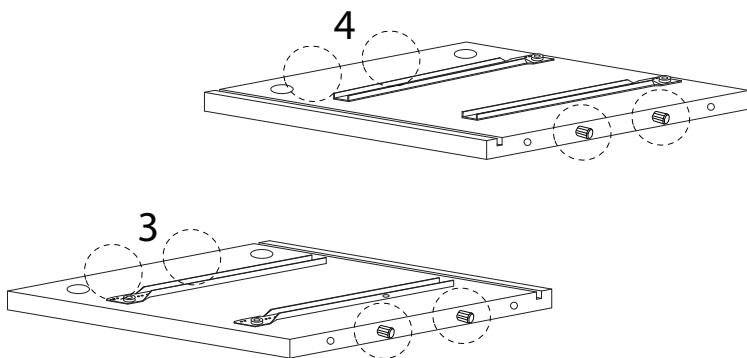
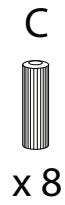


x 1

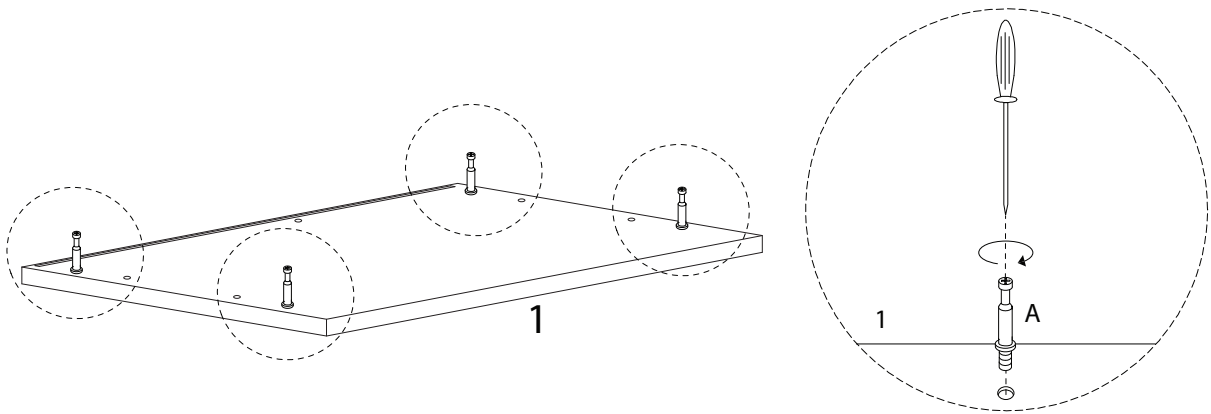
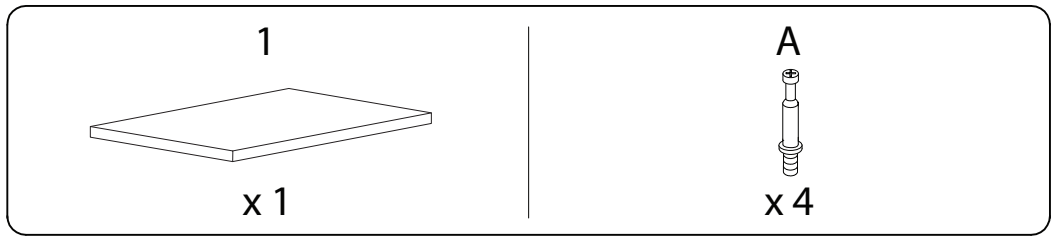
1



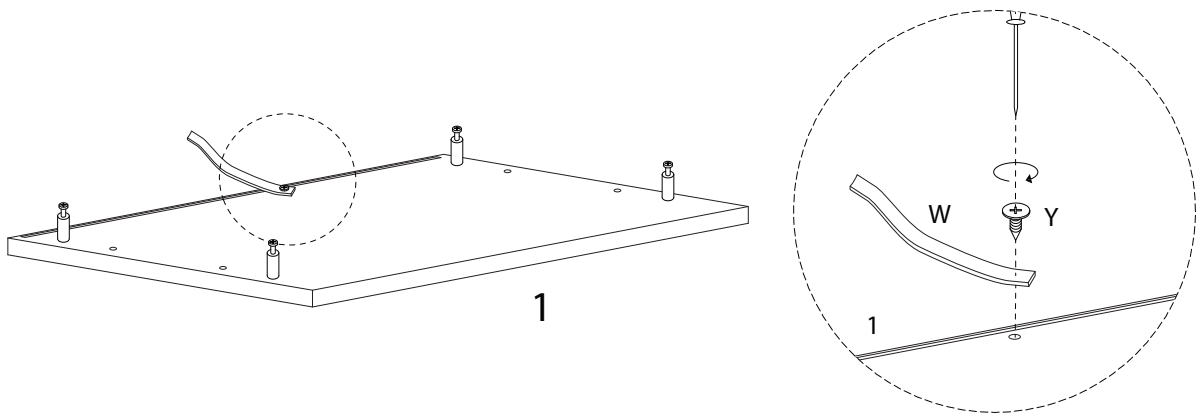
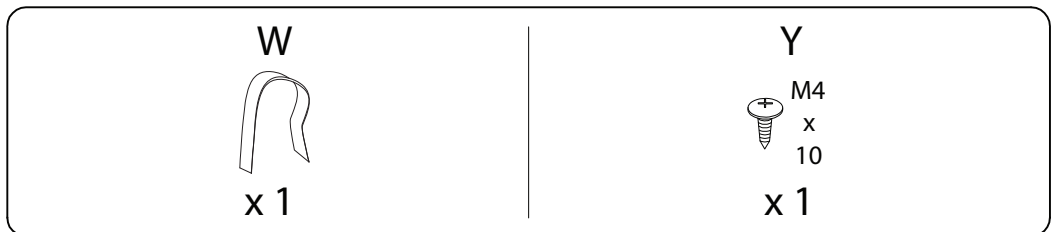
2



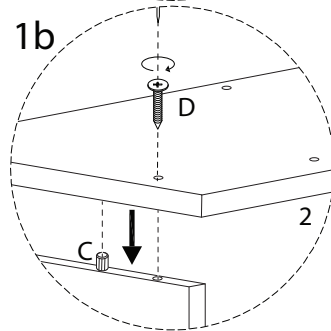
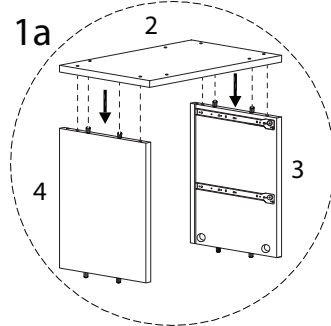
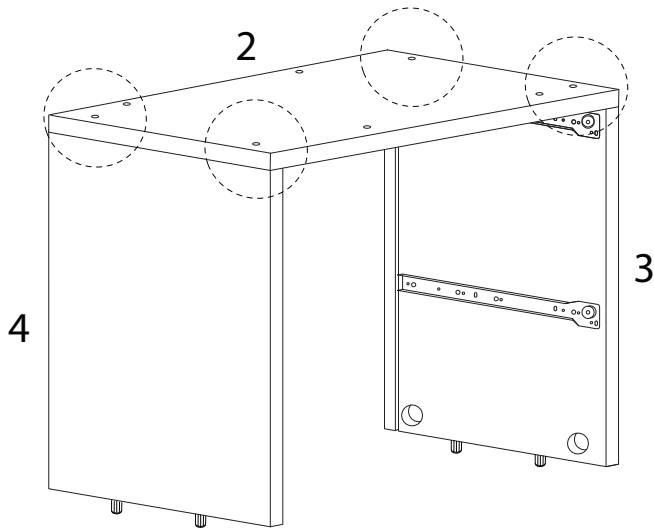
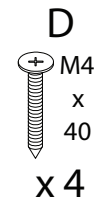
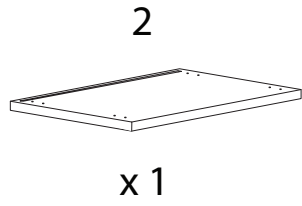
3



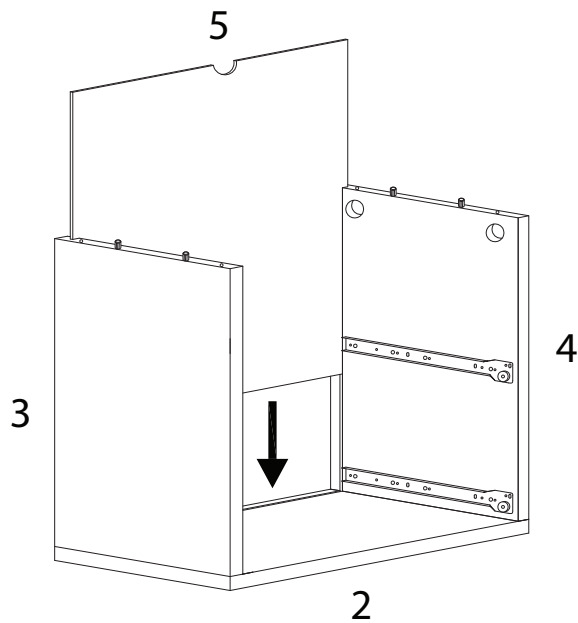
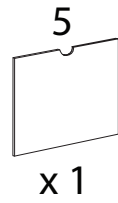
4



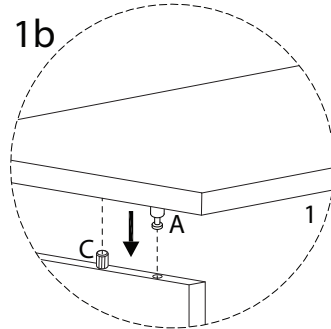
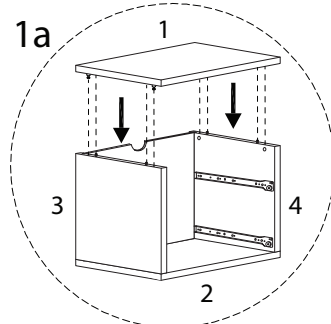
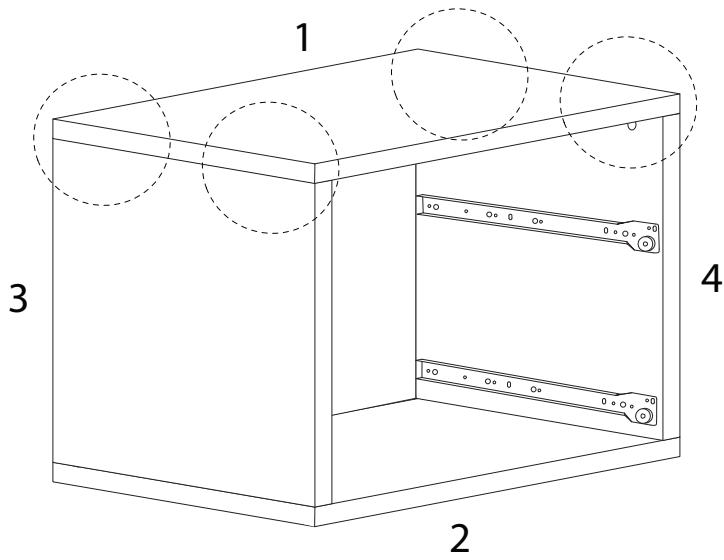
5



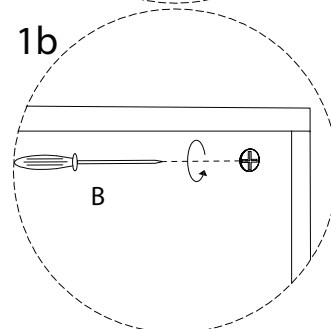
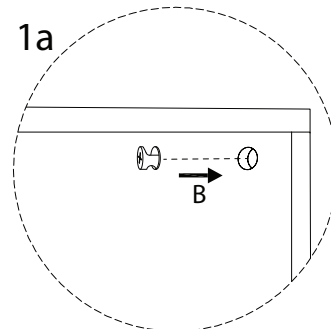
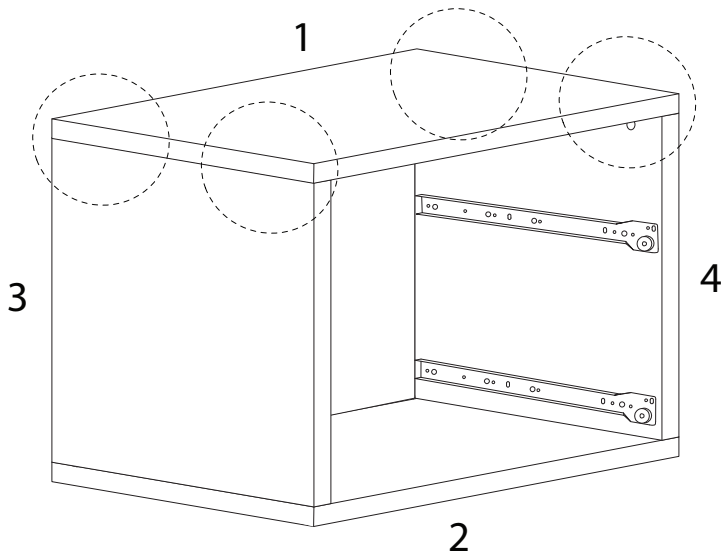
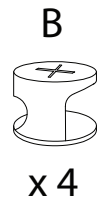
6



7

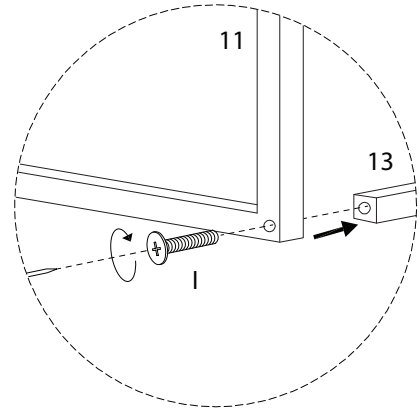
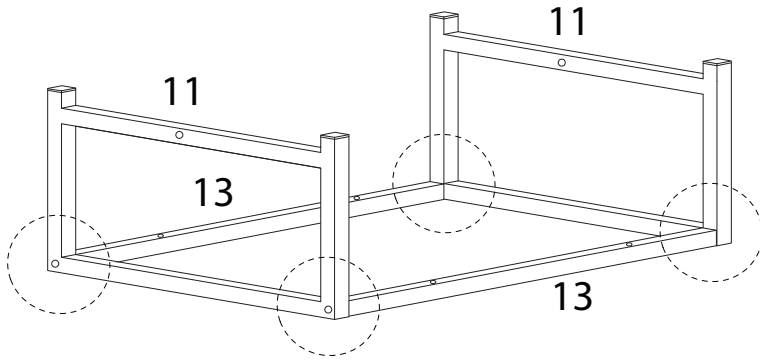
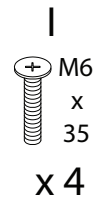
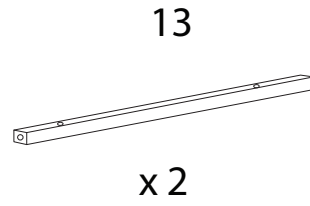
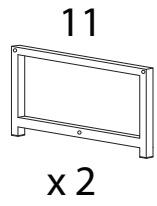


8

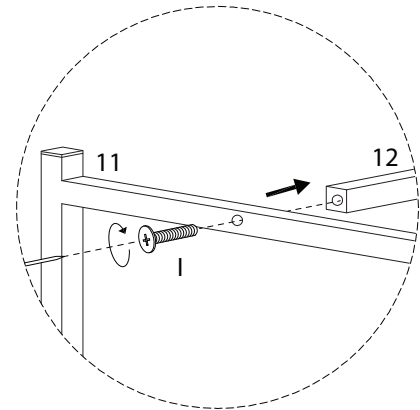
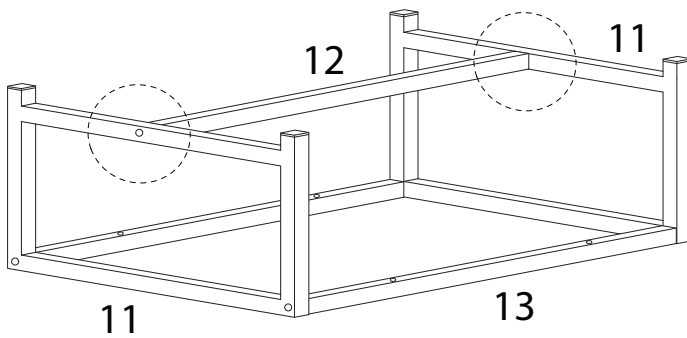
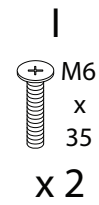
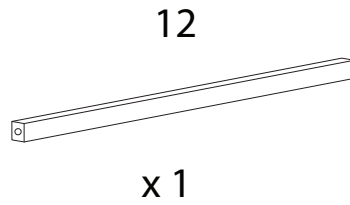




9



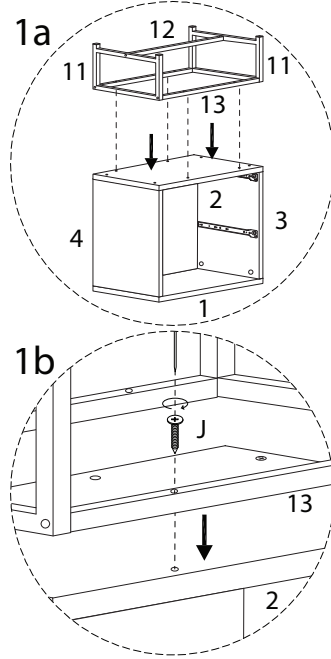
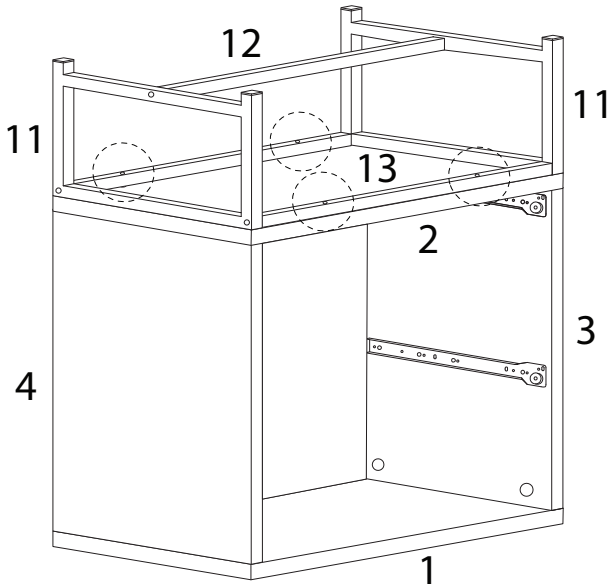
10



11

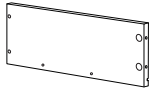
J

M4  
x  
25  
x 4



12 x 2

7



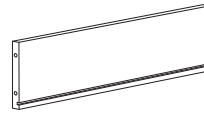
x 1

8



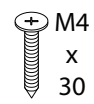
x 1

10

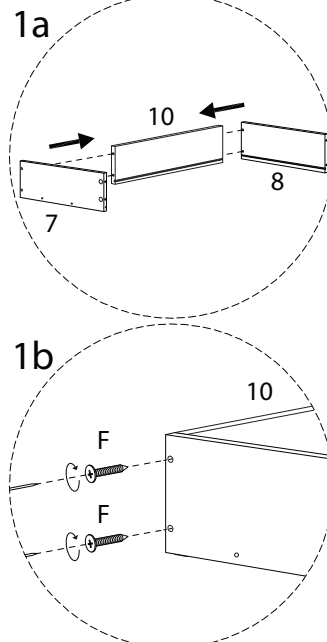
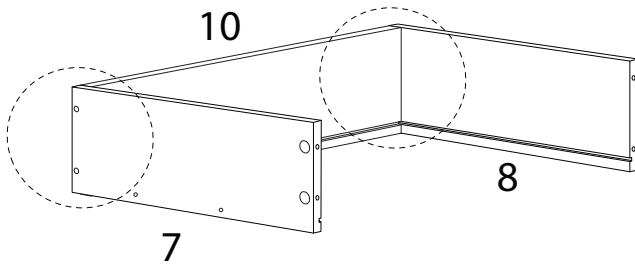


x 1

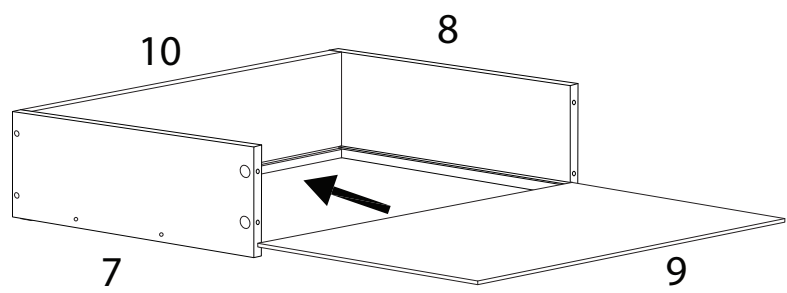
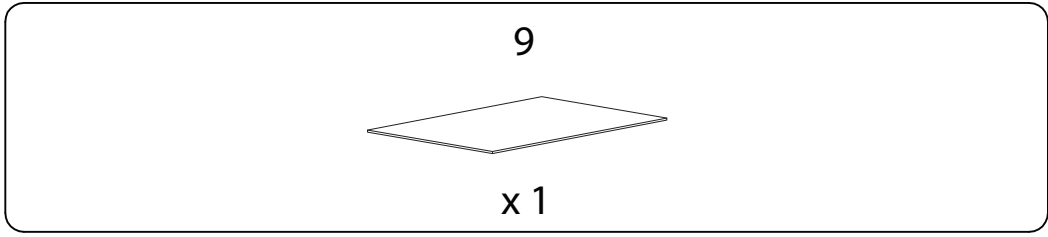
F



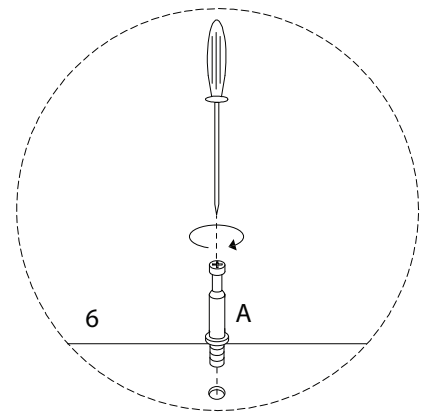
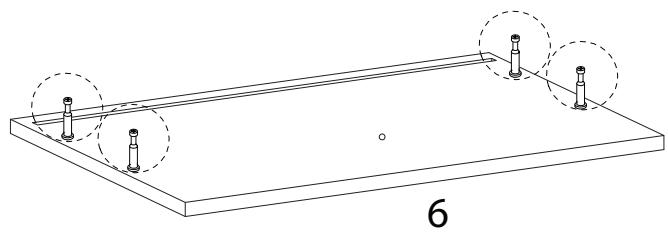
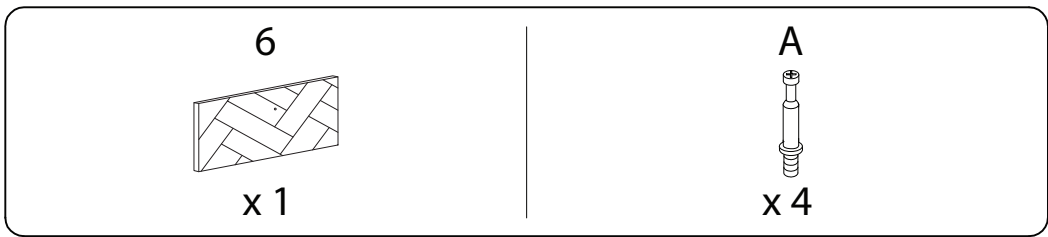
M4  
x  
30  
x 4






13 x 2

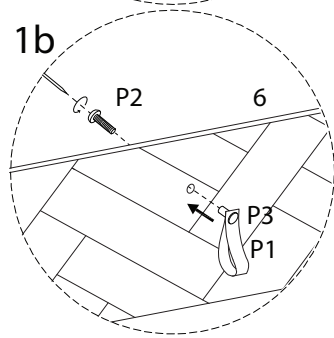
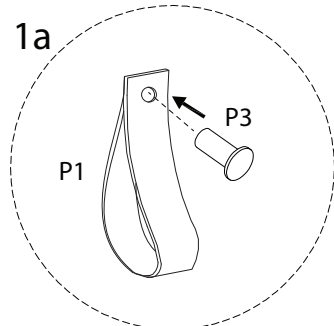
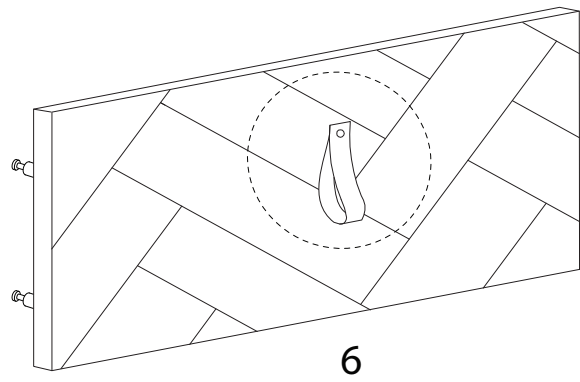


14 x 2

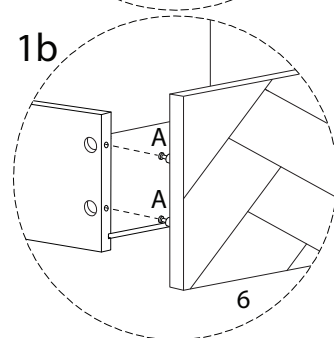
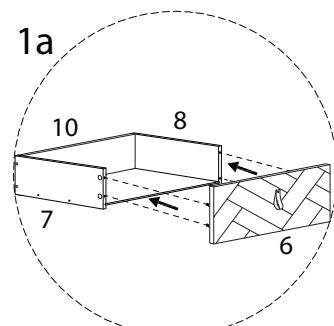
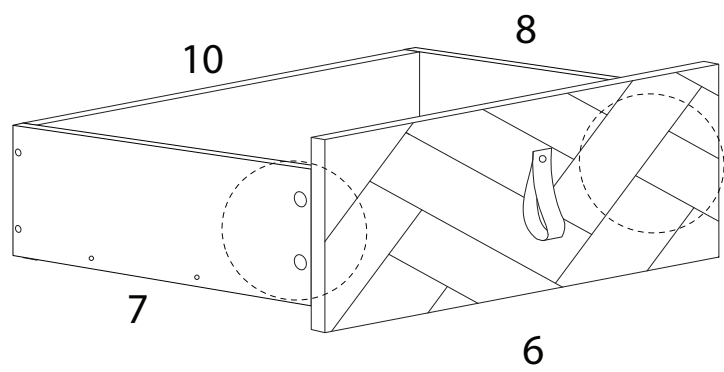


15 x 2

<p>P1</p>  <p>x 1</p>	<p>P2</p>  <p>M4 x 8</p> <p>x 1</p>	<p>P3</p>  <p>x 1</p>
--	--	--

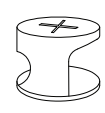


16 x 2

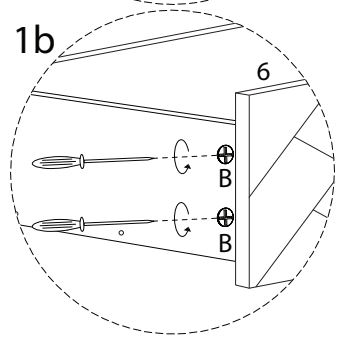
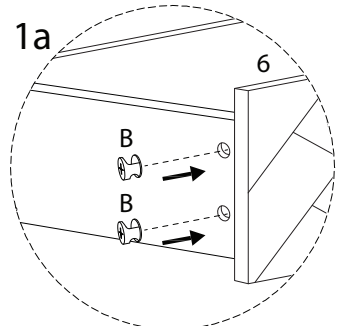
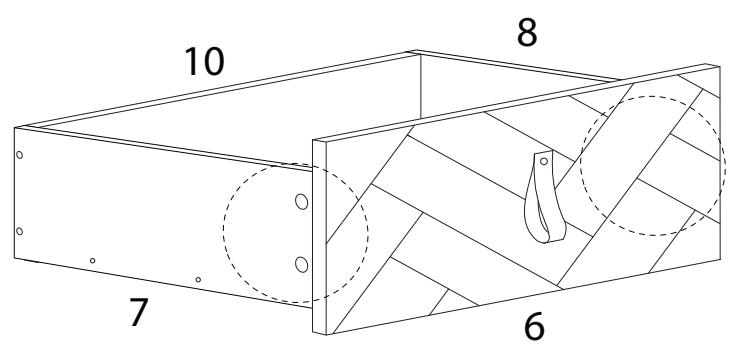


17 x 2

B



x 4



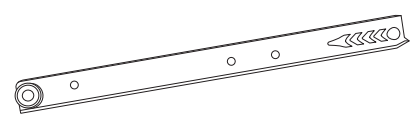
18 x 2

E

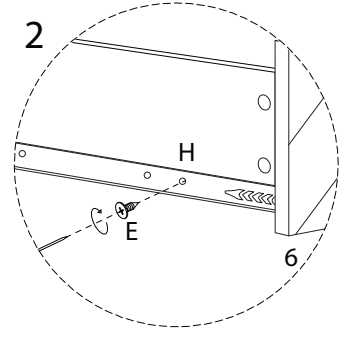
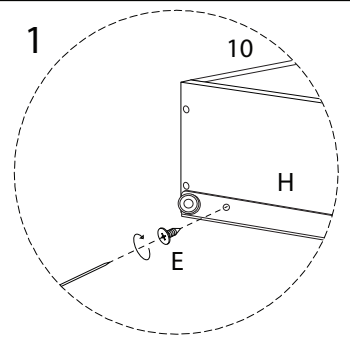
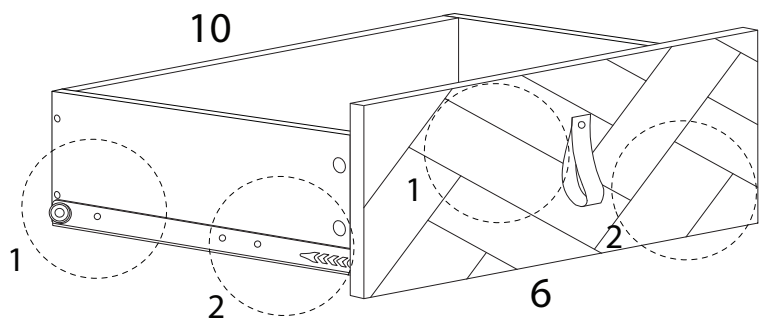


x 4

H



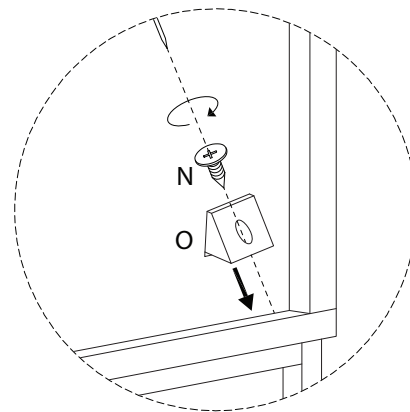
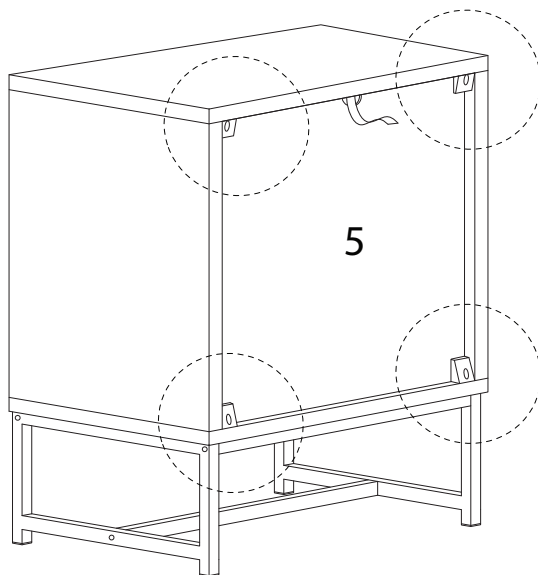
x 2



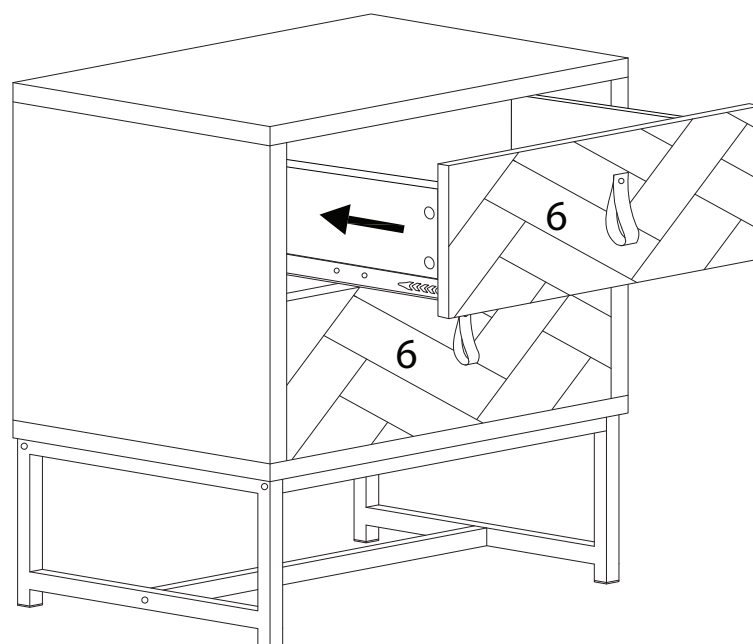
19

N  
M2.5  
x  
12  
x4

O  
x4



20



!

