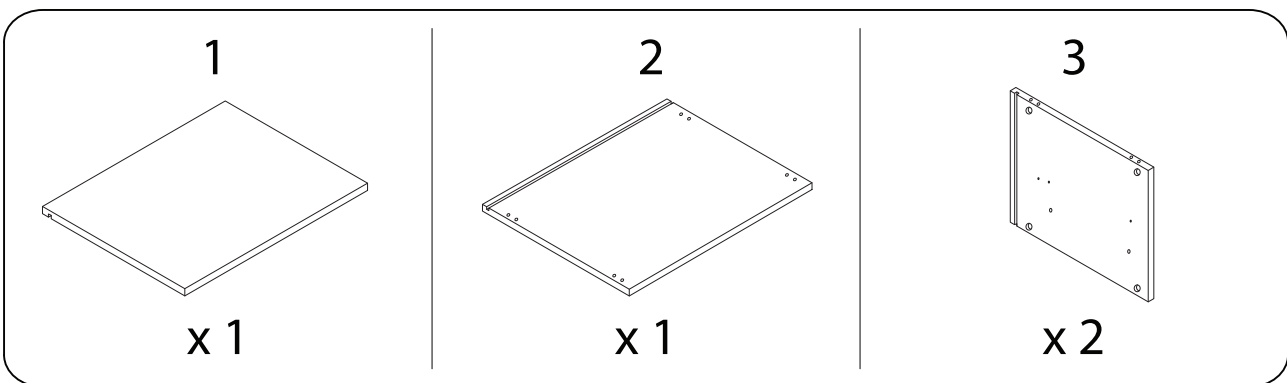
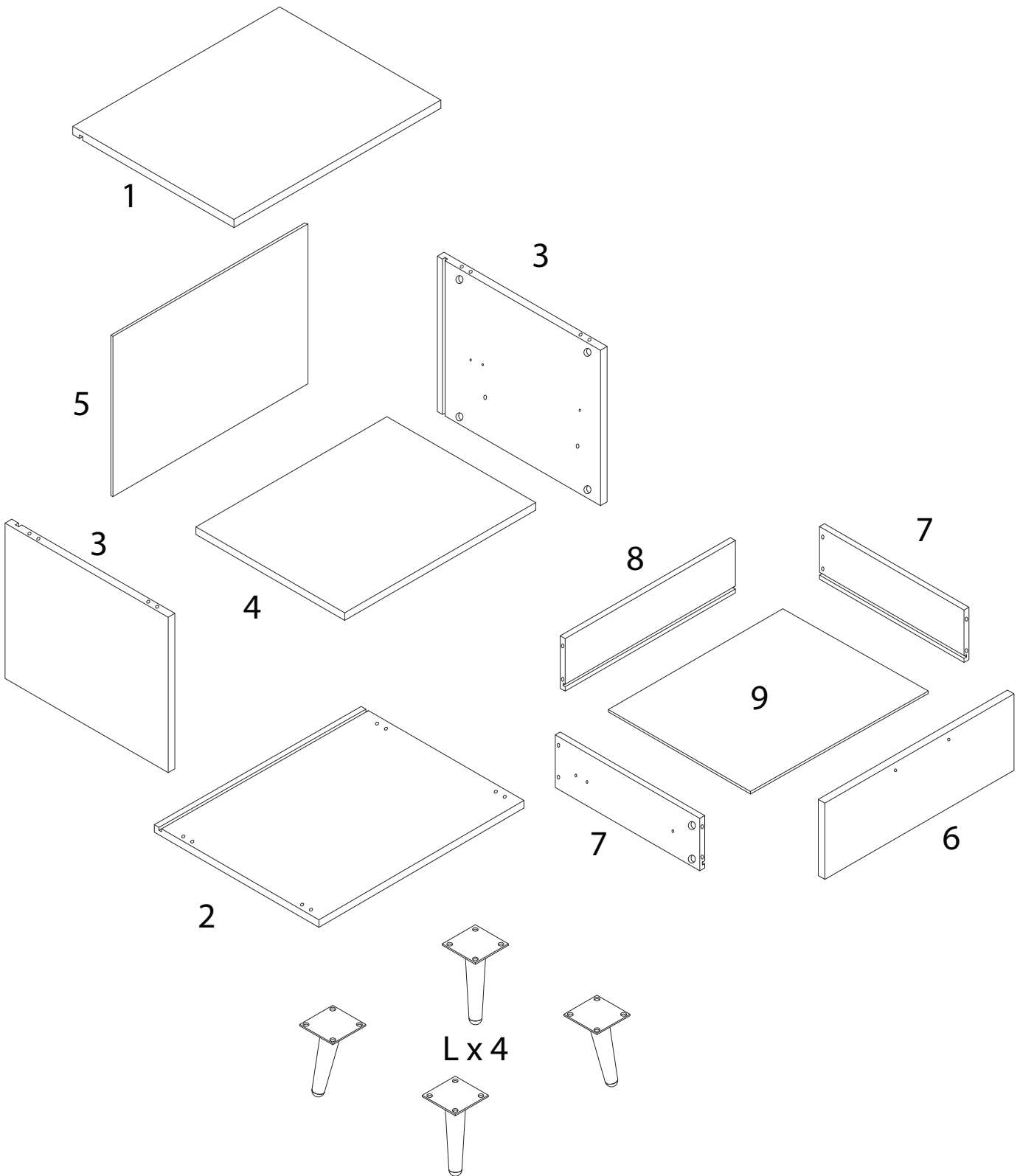




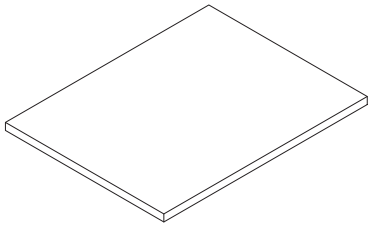
Assembly instructions for step 1/15:

- Tools:** A circular icon shows a screwdriver. A power drill icon is crossed out with a diagonal line, indicating it should not be used.
- Warning:** A triangle with an exclamation mark points to the tool section.
- Time:** A clock icon indicates a 45-minute duration.
- Personnel:** A person icon indicates that 1 person is required.
- Diagram:** A circular icon shows a rectangular block being placed on a textured surface. A second diagram shows the block being pushed down into the surface, with a diagonal line and arrows indicating the direction of force.
- Warning:** A triangle with an exclamation mark points to the diagram.

1/15

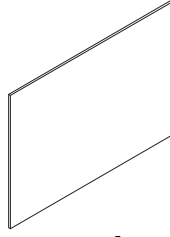


4



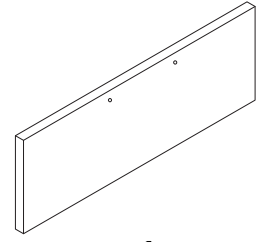
x 1

5



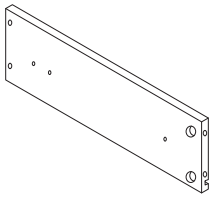
x 1

6



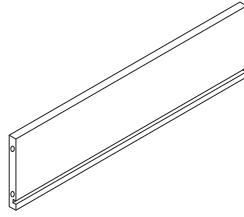
x 1

7



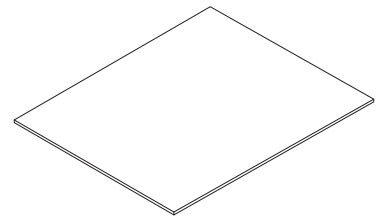
x 2

8



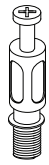
x 1

9



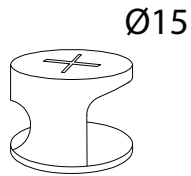
x 1

A



x 8

B



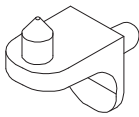
x 8

C



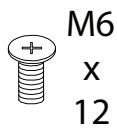
x 8

D



x 4

E



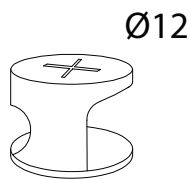
x 16

F1



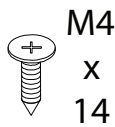
x 4

F2



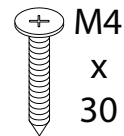
x 4

G



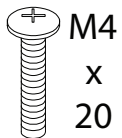
x 12

H



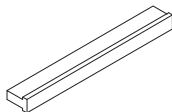
x 4

I



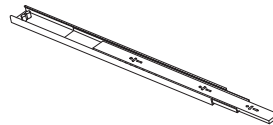
x 2

J



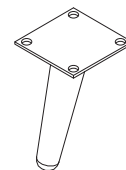
x 1

K



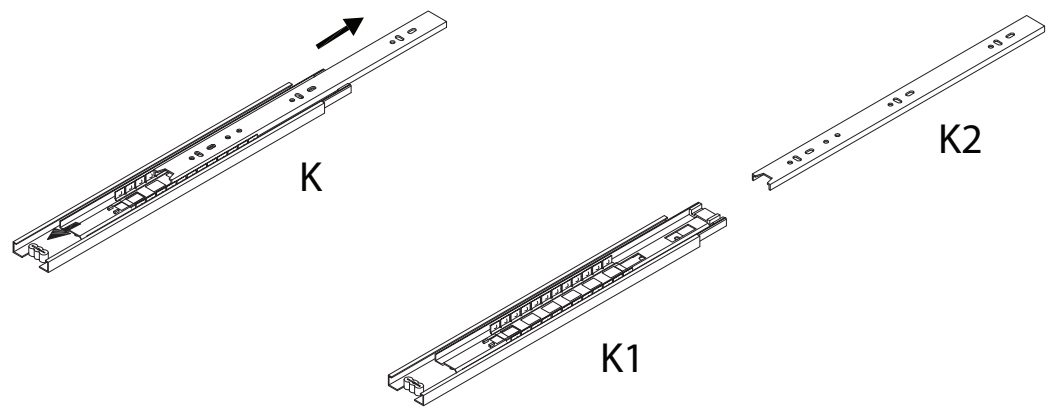
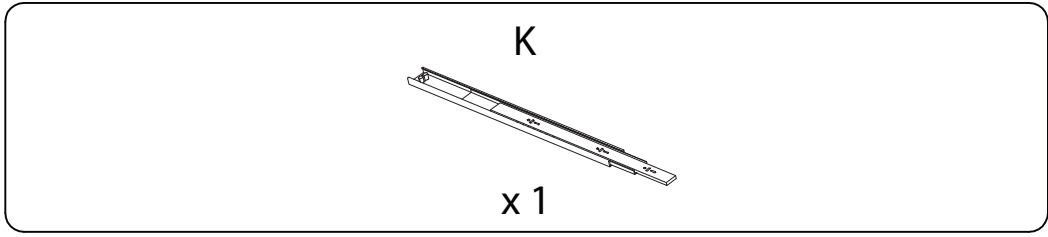
x 2

L

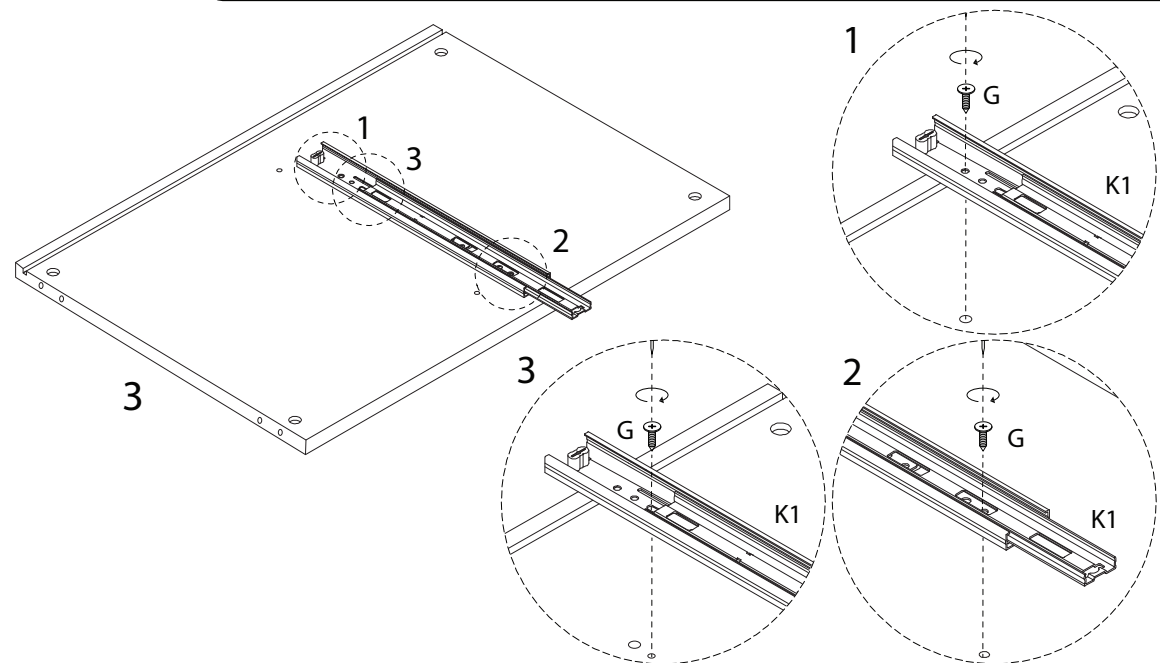
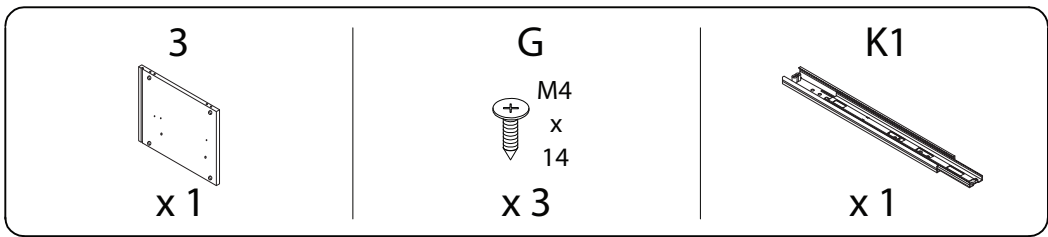


x 4

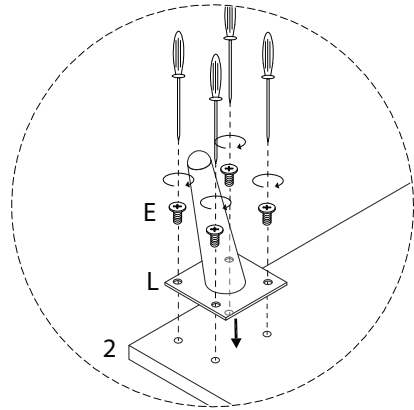
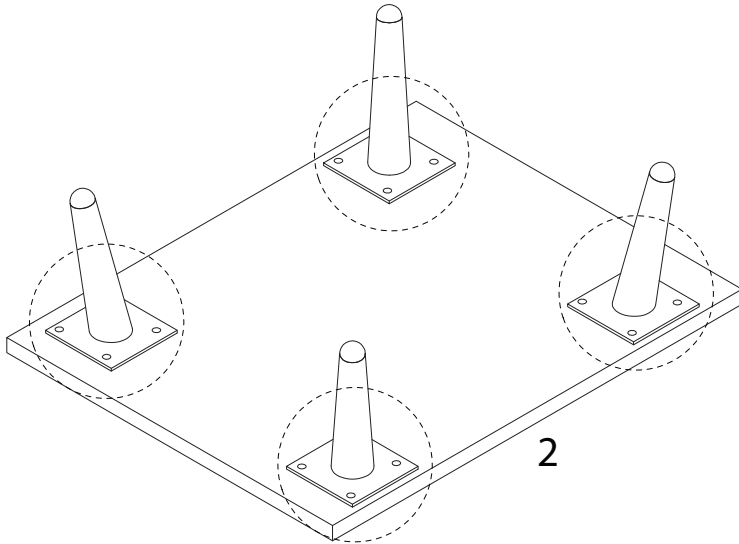
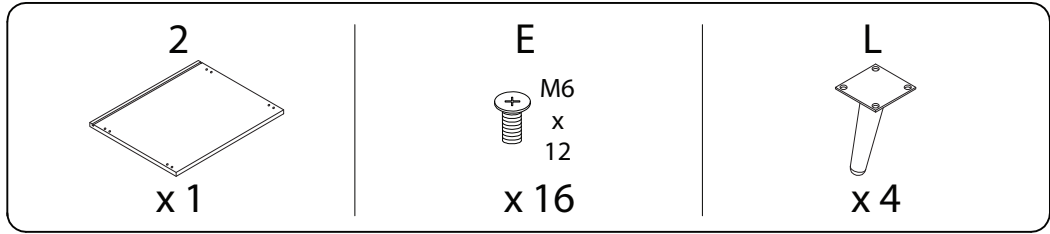
1 x 2



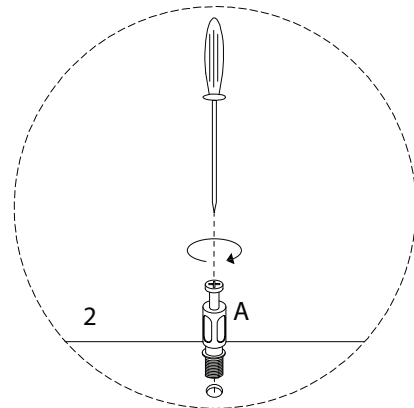
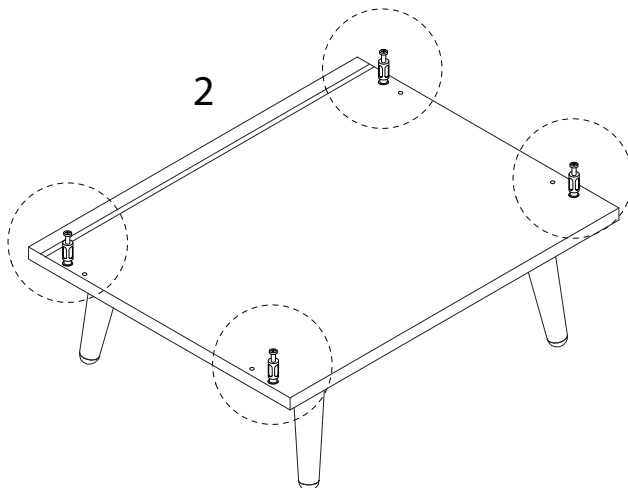
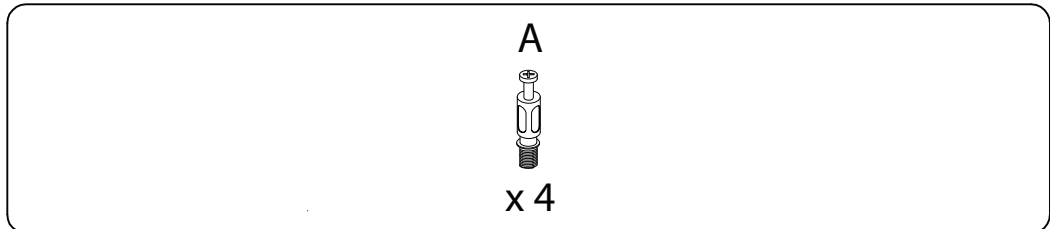
2 x 2



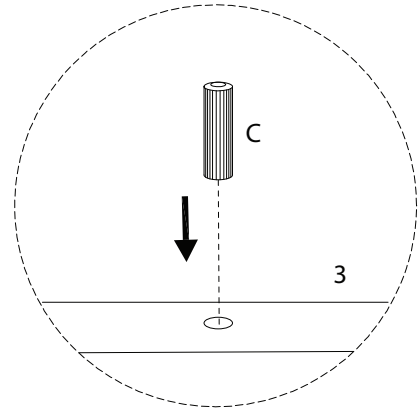
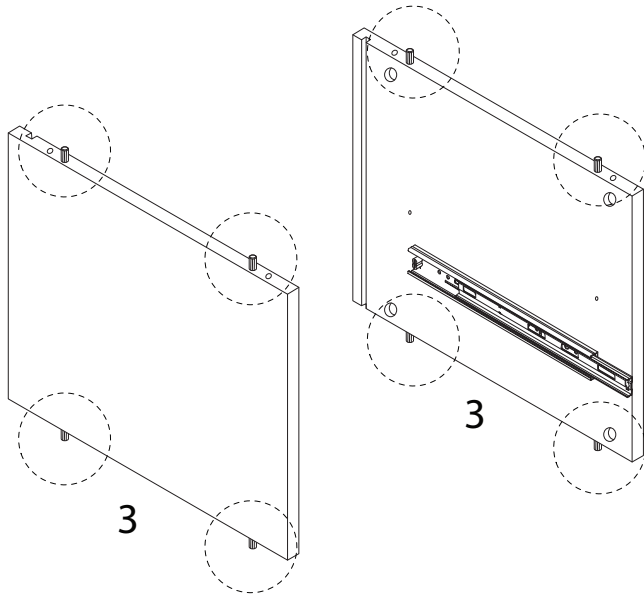
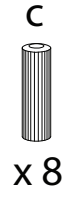
3



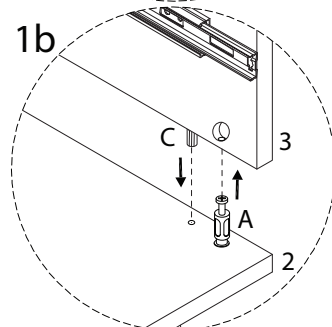
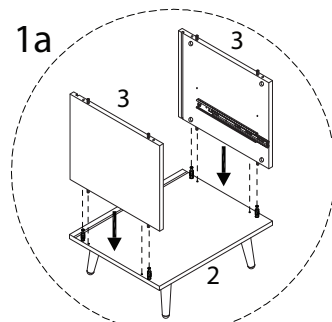
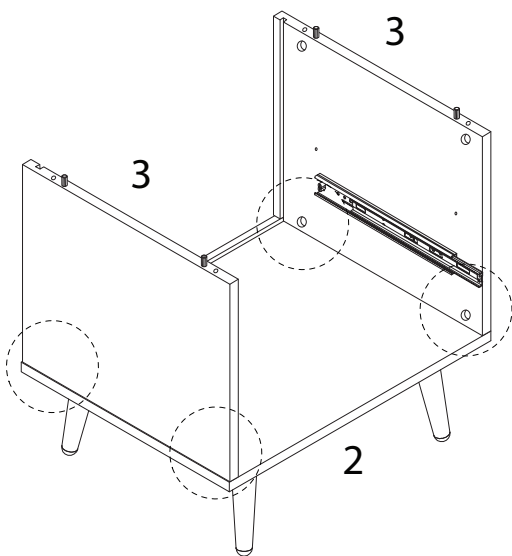
4



5



6



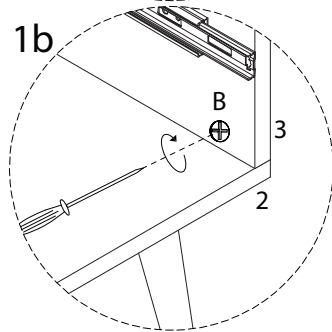
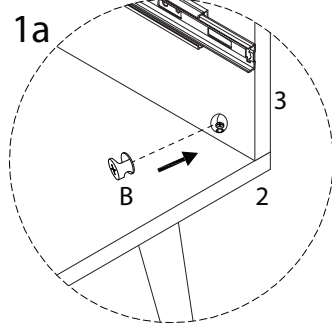
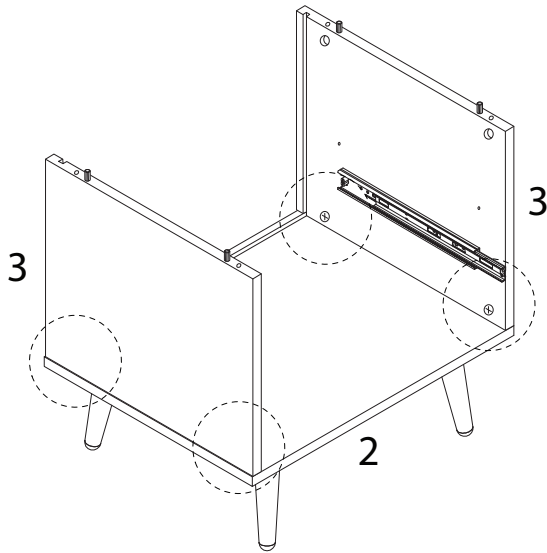
7

B

Ø15



x 4

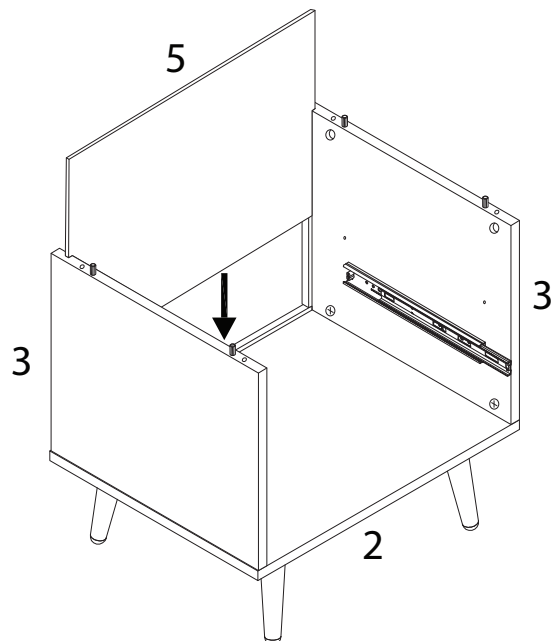


8

5

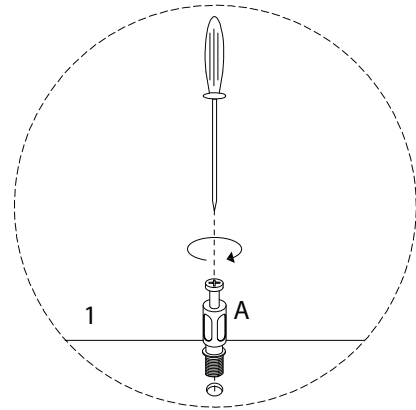
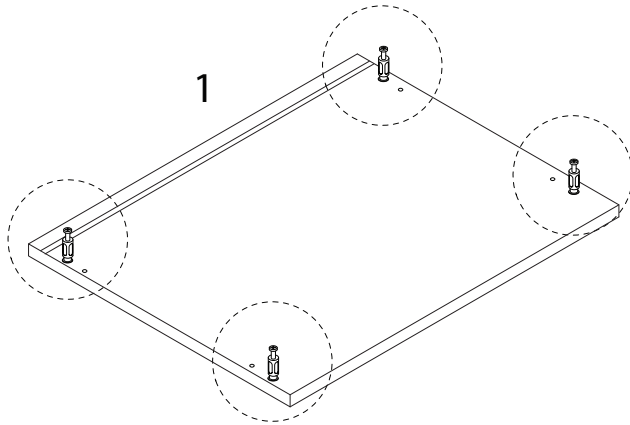
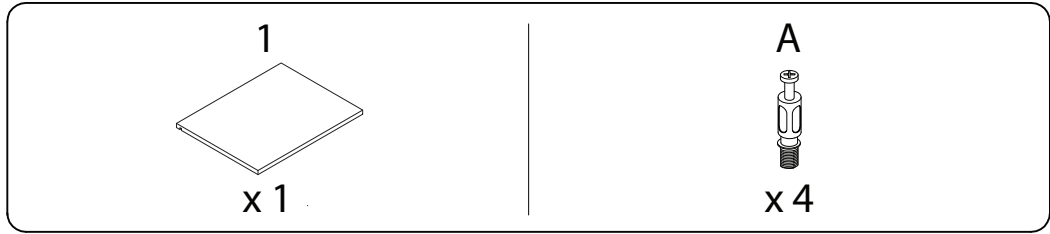


x 1

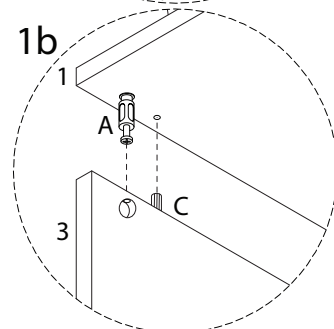
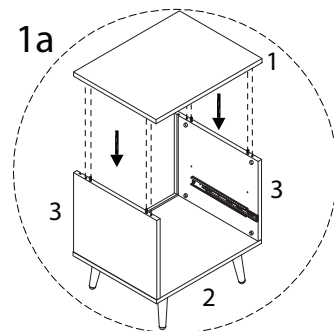
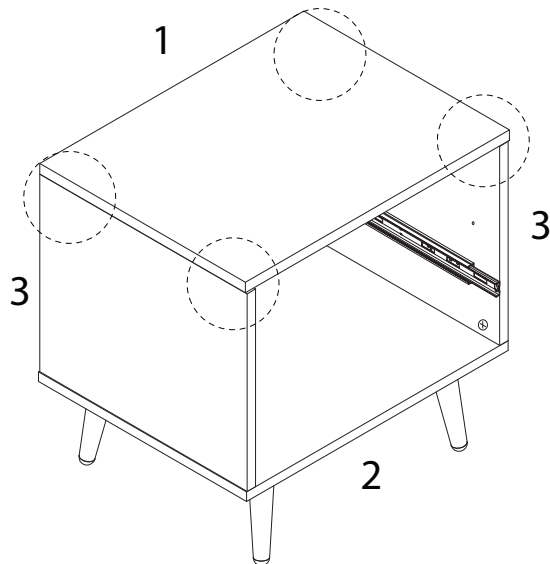




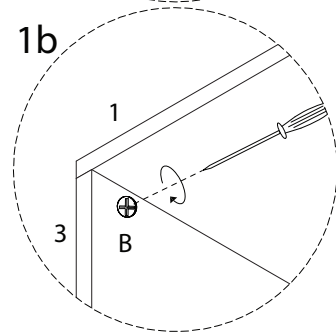
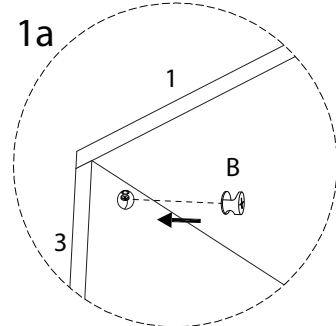
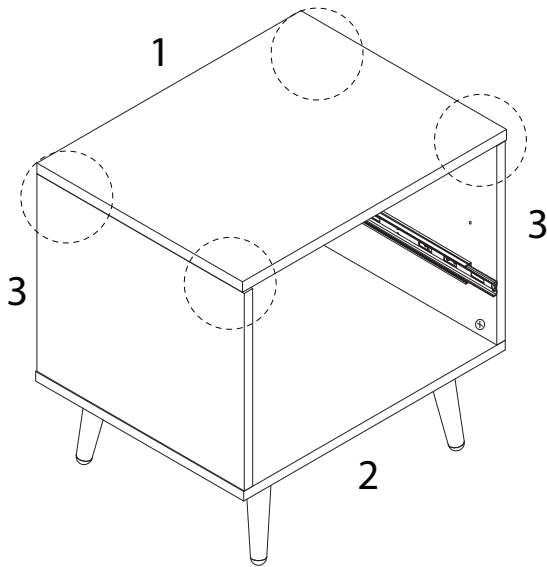
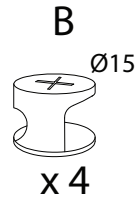
9



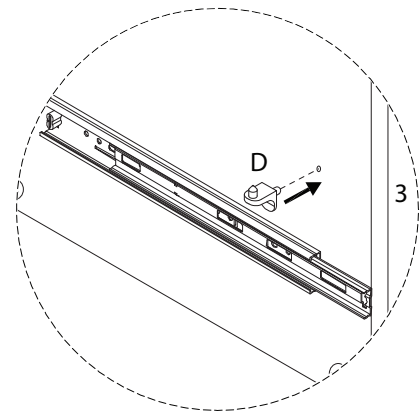
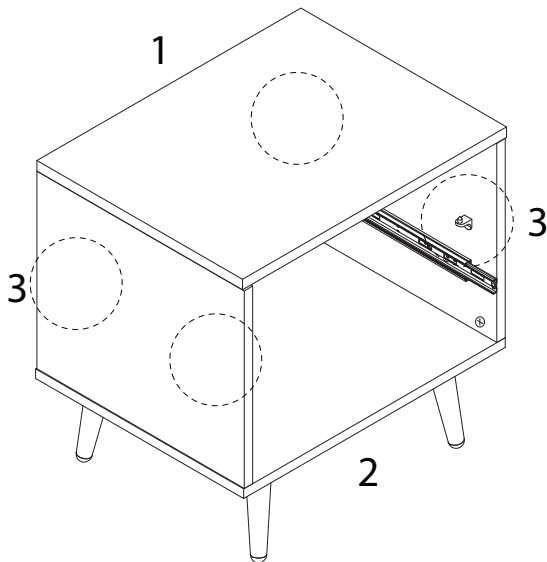
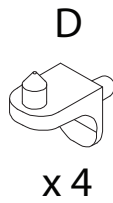
10



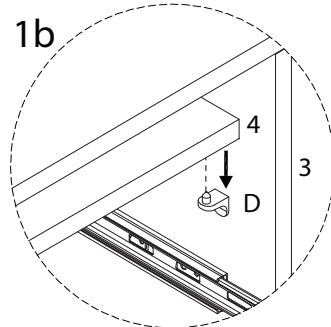
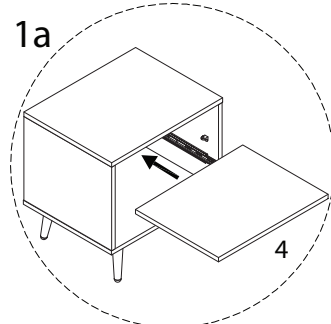
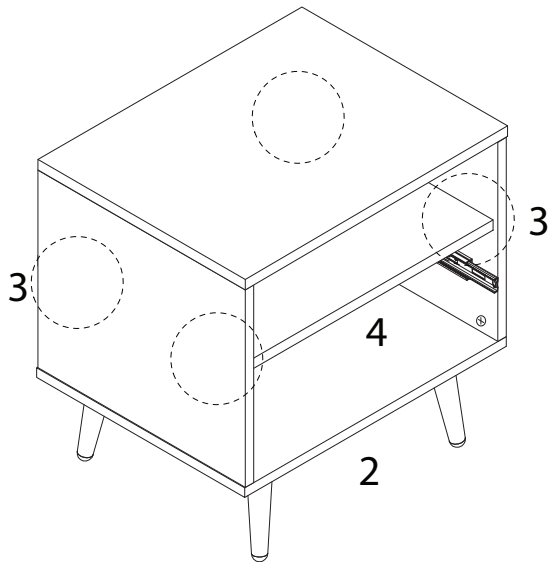
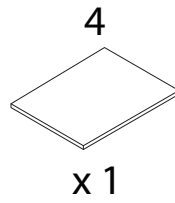
11



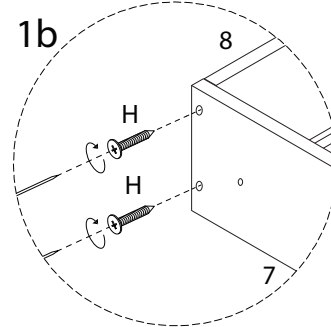
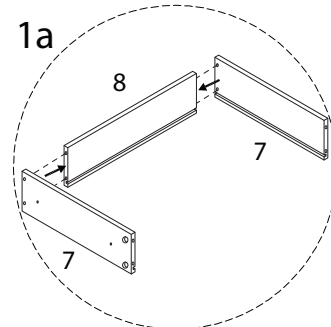
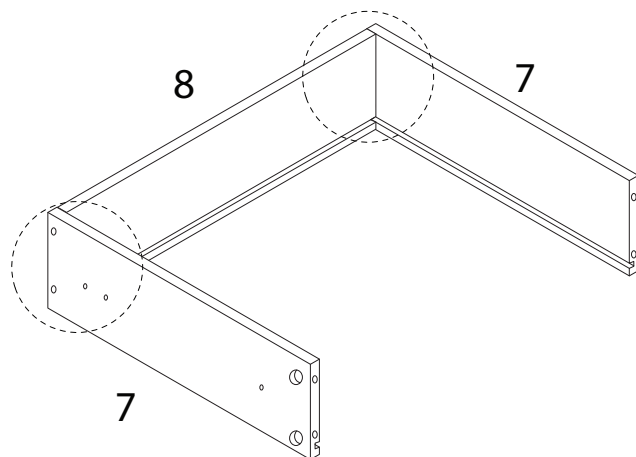
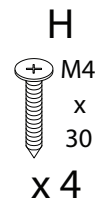
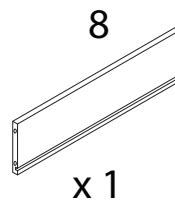
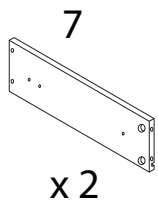
12



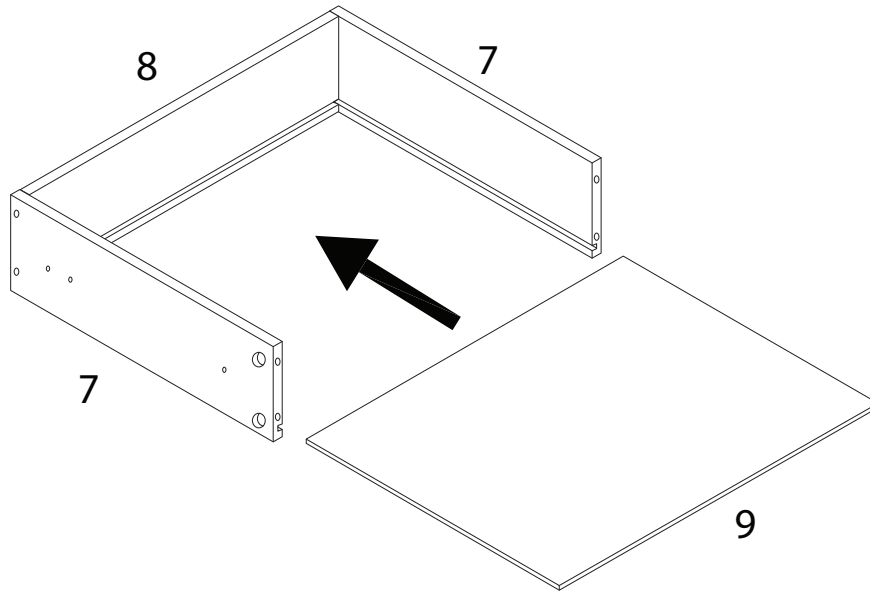
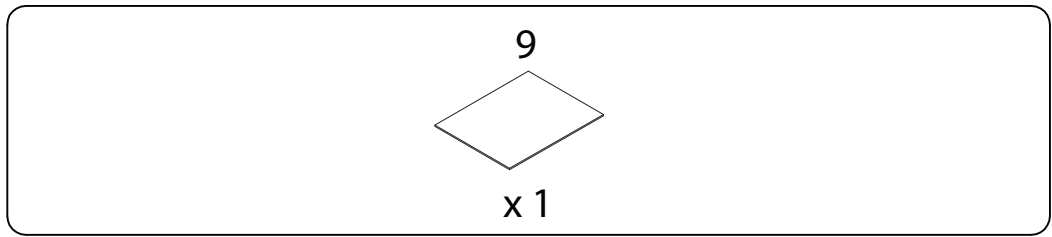
13



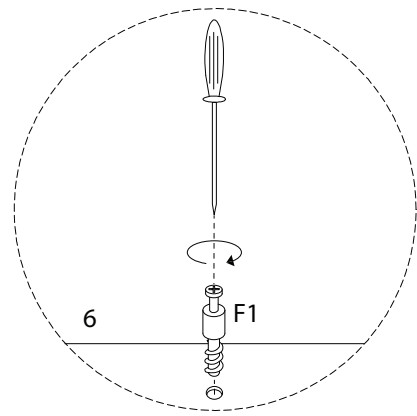
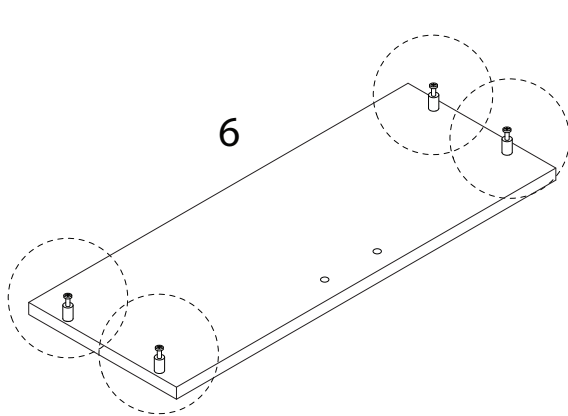
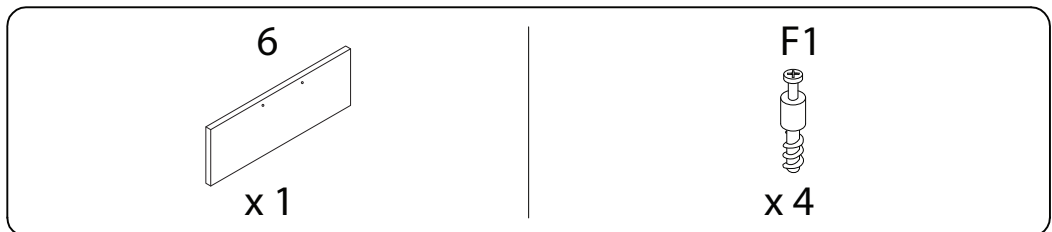
14



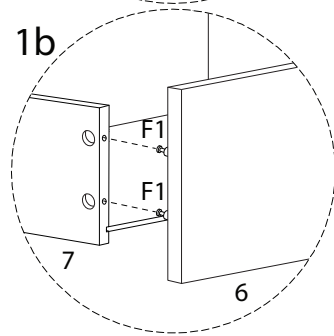
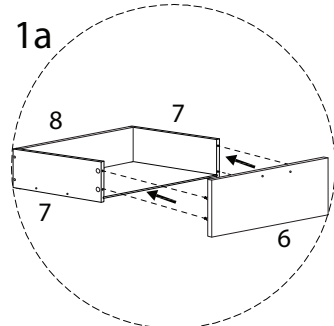
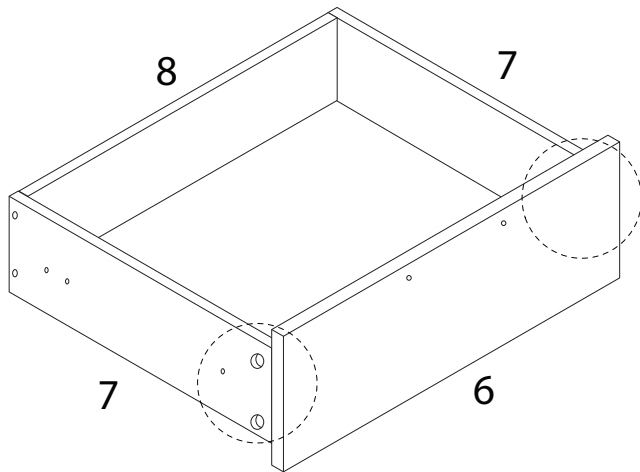
15



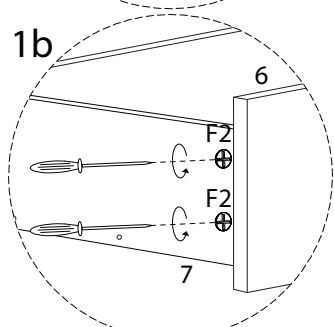
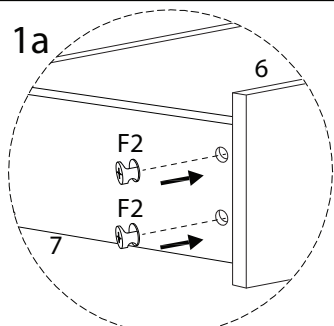
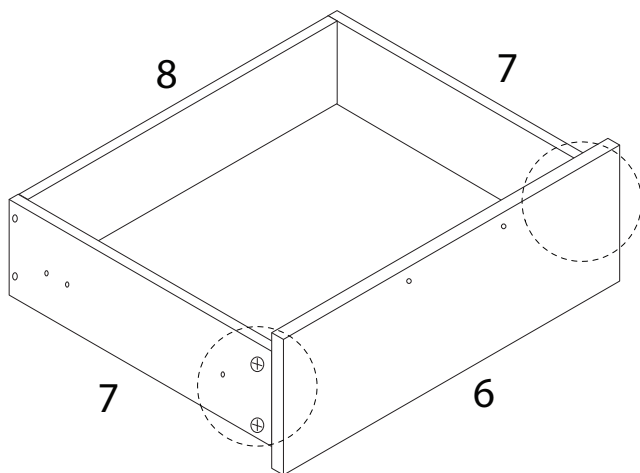
16



17

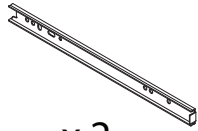


18



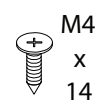
19

K2

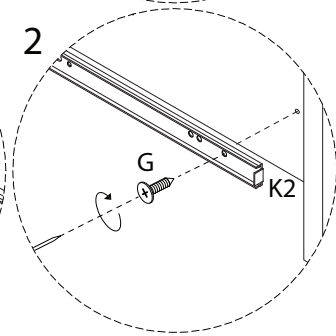
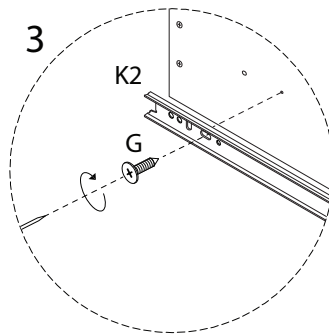
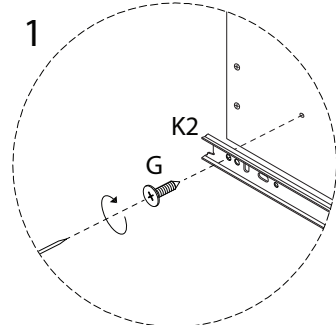
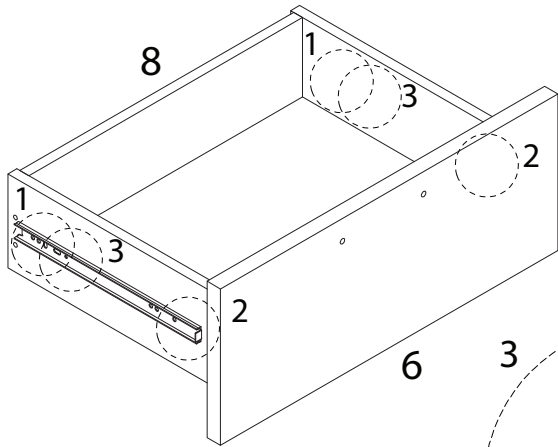


x 2

G

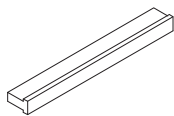


x 6



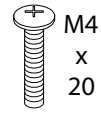
20

J

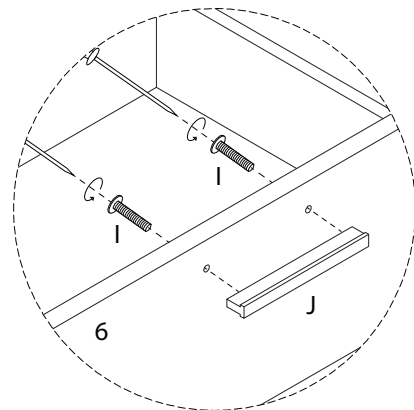
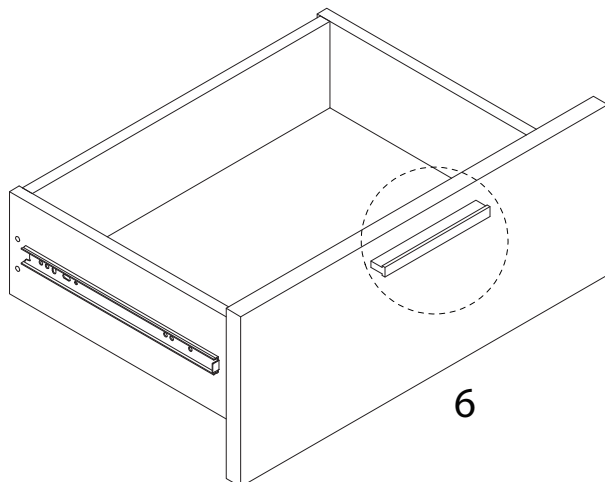


x 1

I



x 2



21

