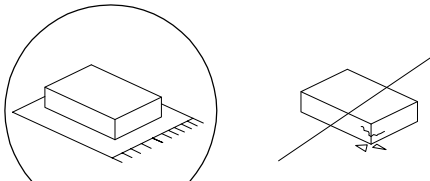

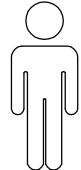
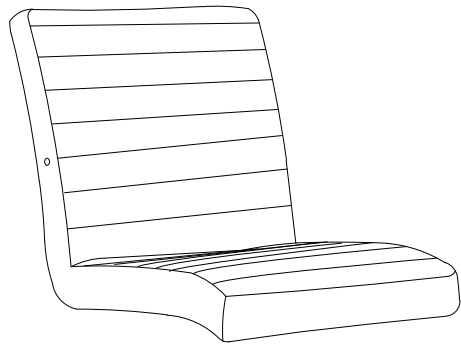
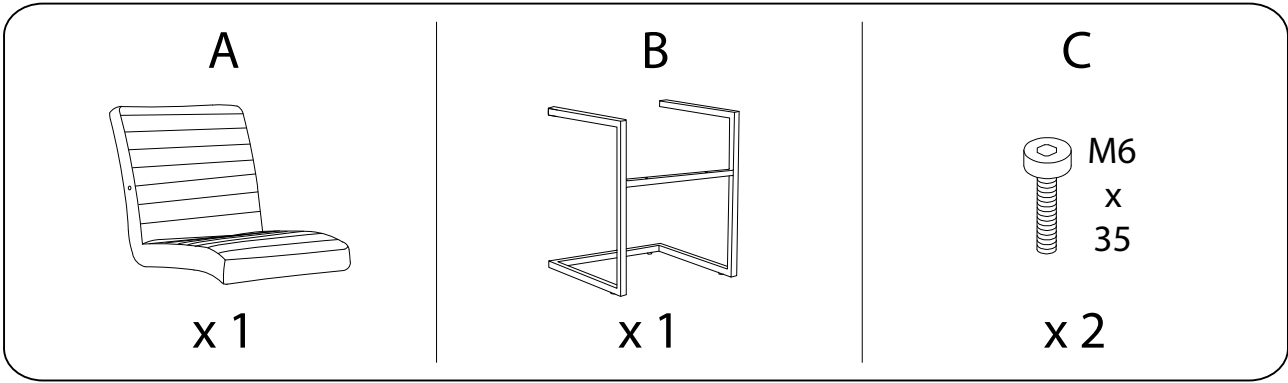
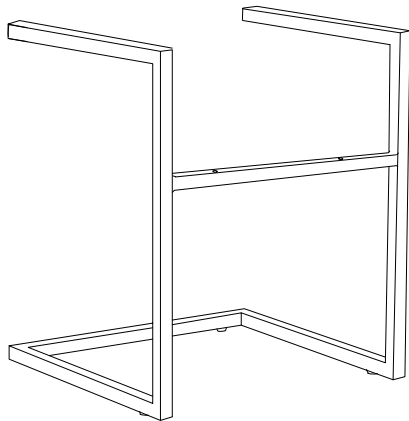
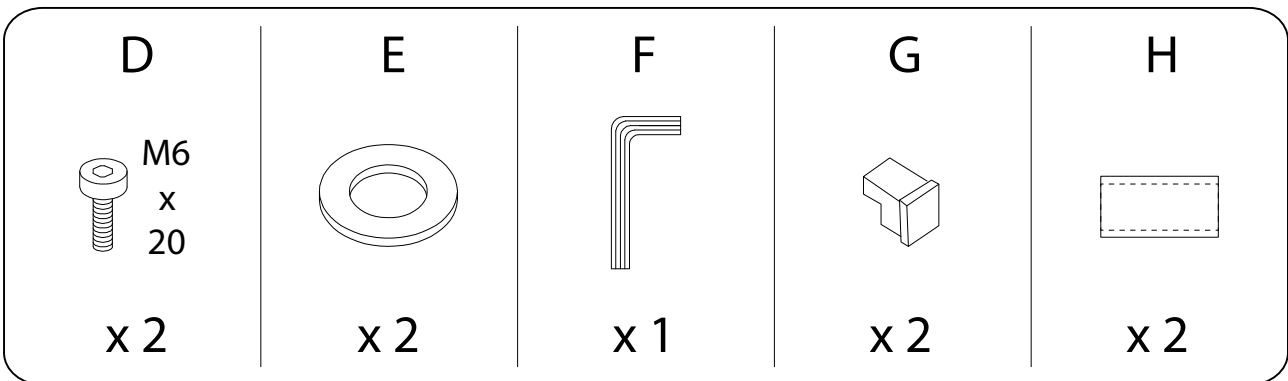

		15'
		
		1



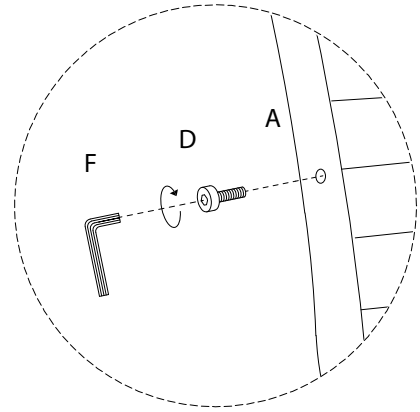
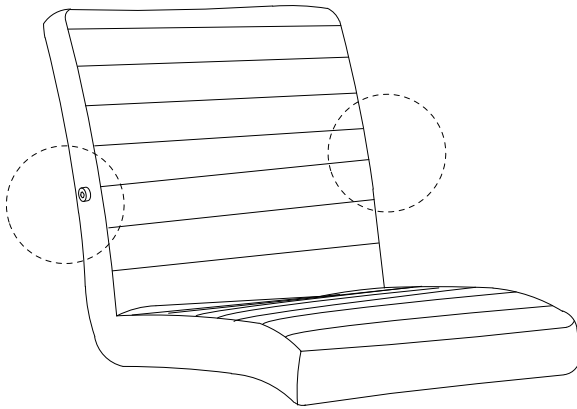
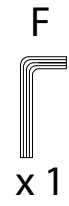
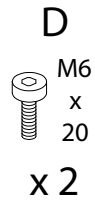
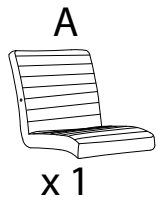
A



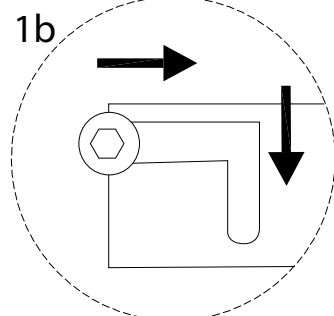
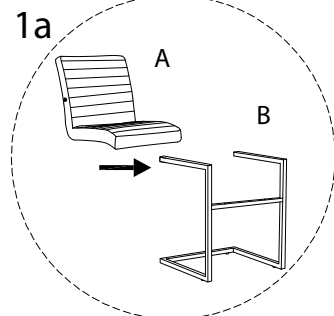
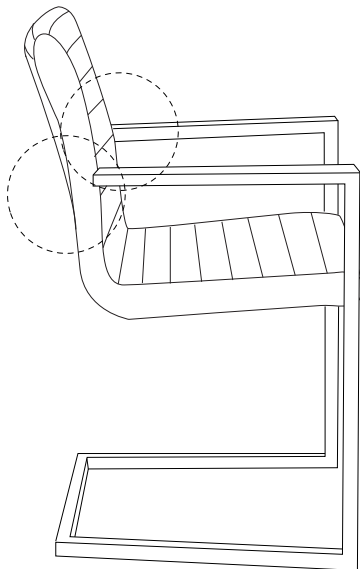
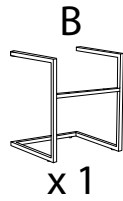
B



1



2

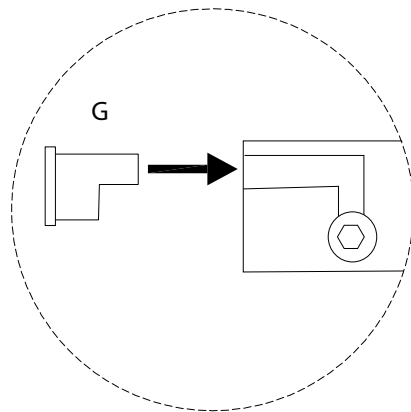
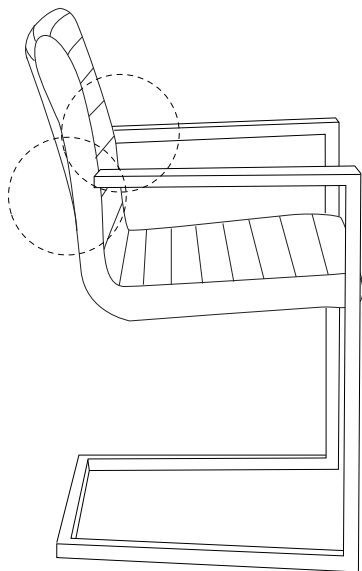


3

G



x 2



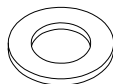
4

C



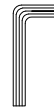
x 2

E

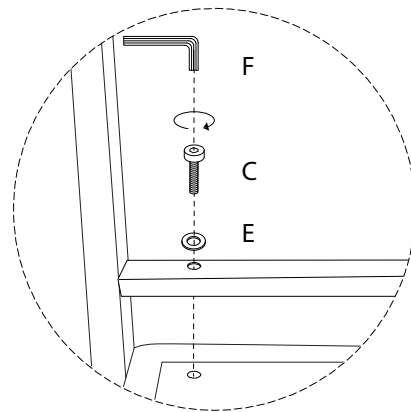
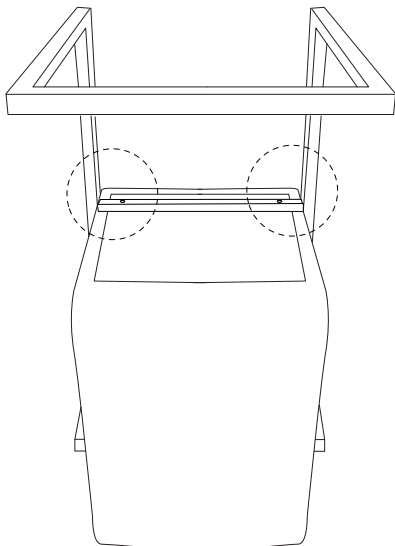


x 2

F



x 1



5

H



x2

