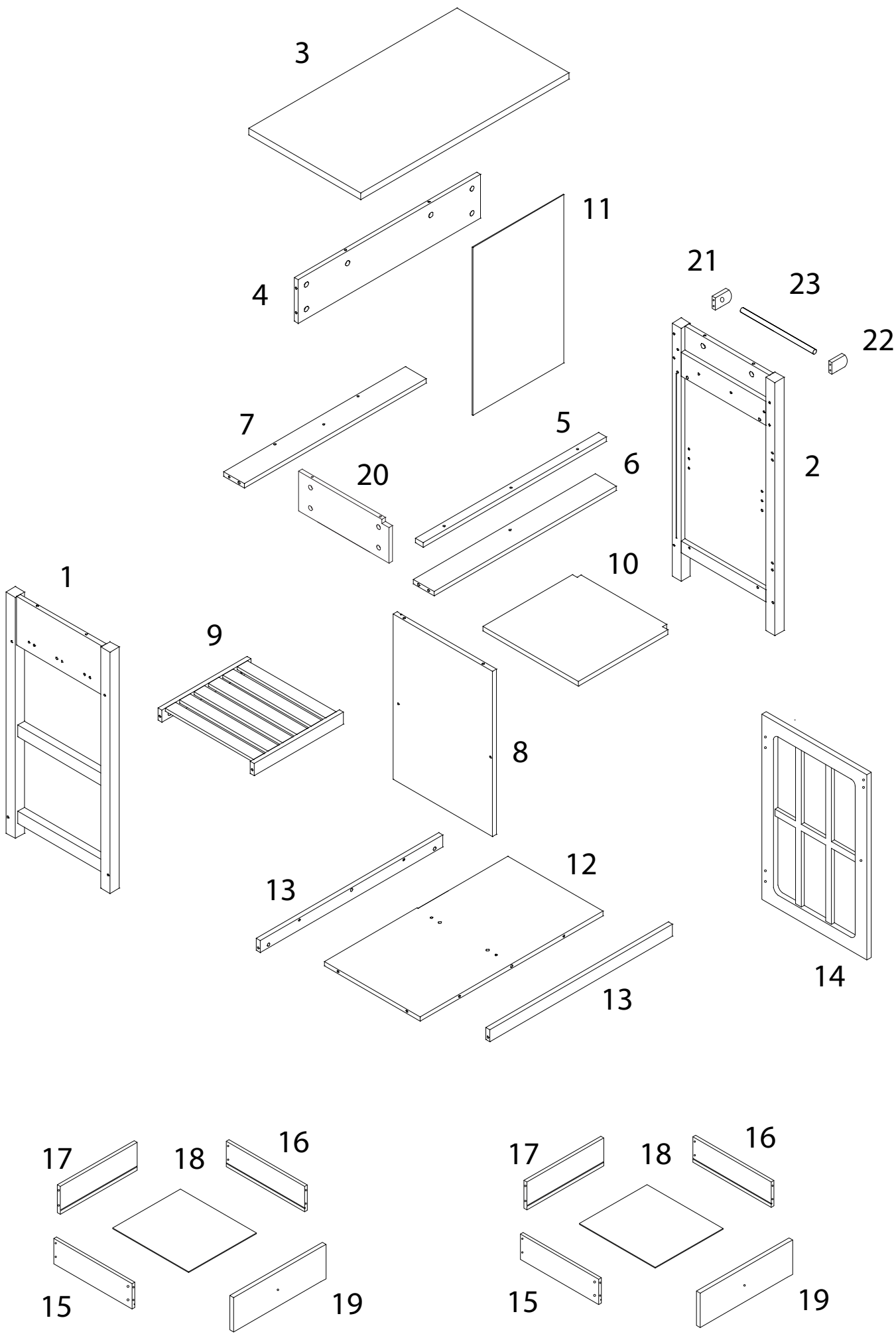
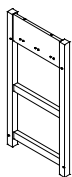


Assembly instructions for step 1/24:

- Tools:** A screwdriver is required. A power drill is not required (indicated by a diagonal line through the drill icon).
- Warning:** A warning triangle with an exclamation mark is shown.
- Time:** A clock icon indicates that this step takes 120 minutes.
- Personnel:** A person icon indicates that 2 people are required for this step.

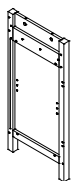


1



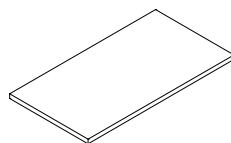
x 1

2



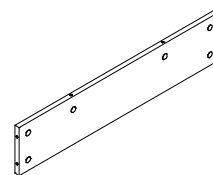
x 1

3



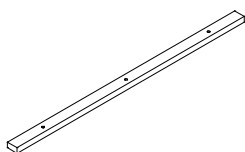
x 1

4



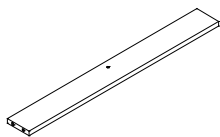
x 1

5



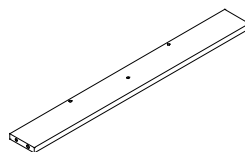
x 1

6



x 1

7



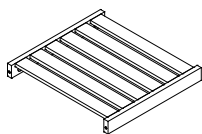
x 1

8



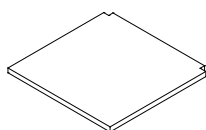
x 1

9



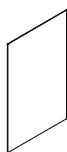
x 1

10



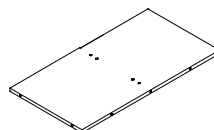
x 1

11



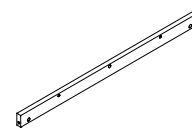
x 1

12



x 1

13



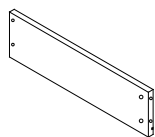
x 2

14



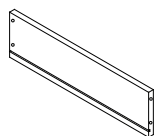
x 1

15



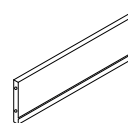
x 2

16



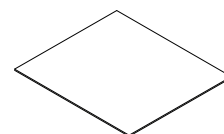
x 2

17



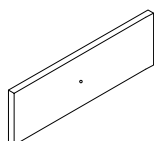
x 2

18



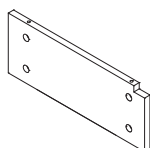
x 2

19



x 2

20



x 1

21



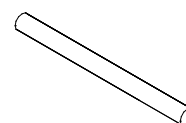
x 1

22

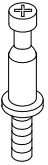
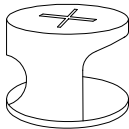
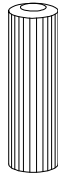
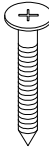
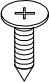
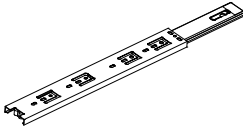
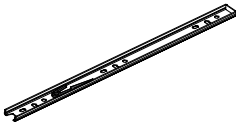
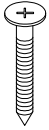

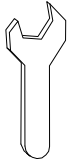
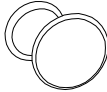
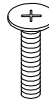
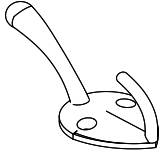
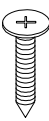
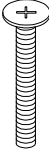
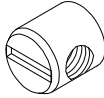
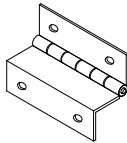
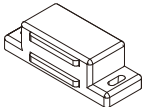
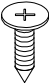

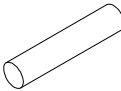
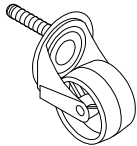



x 1

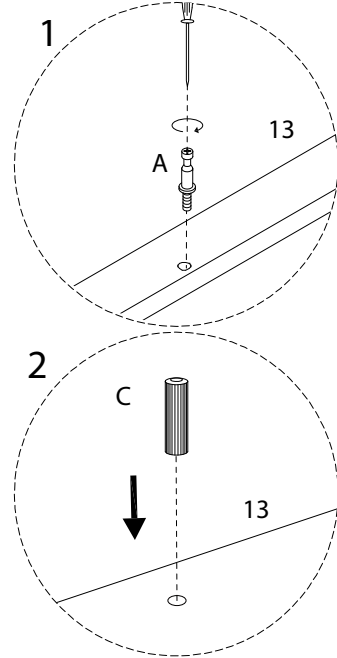
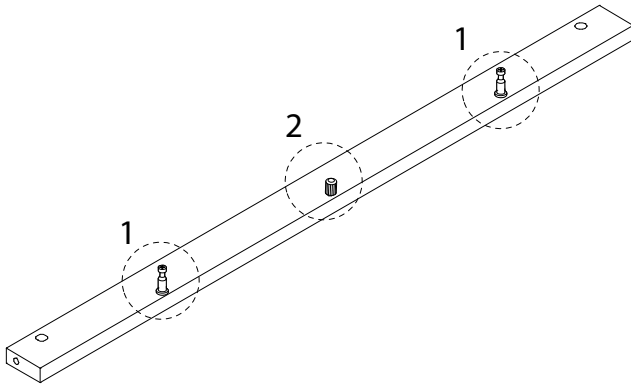
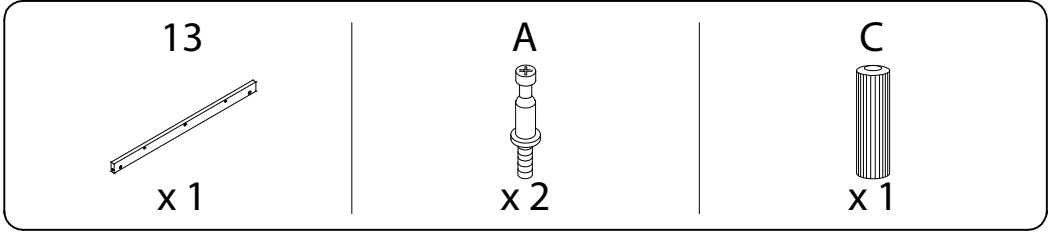
23



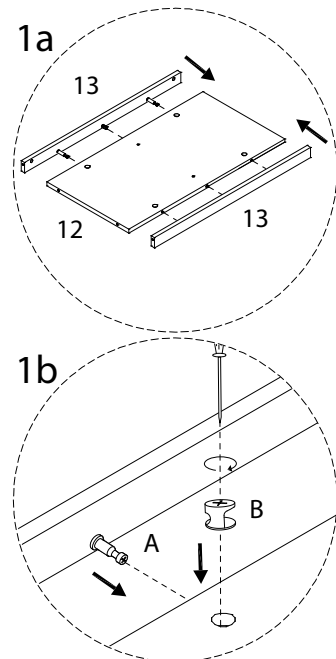
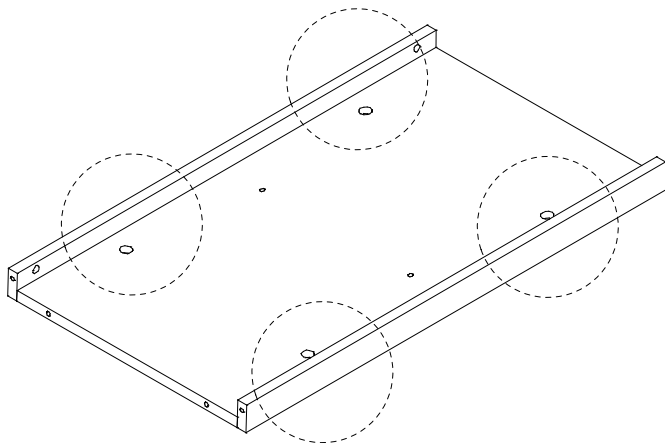
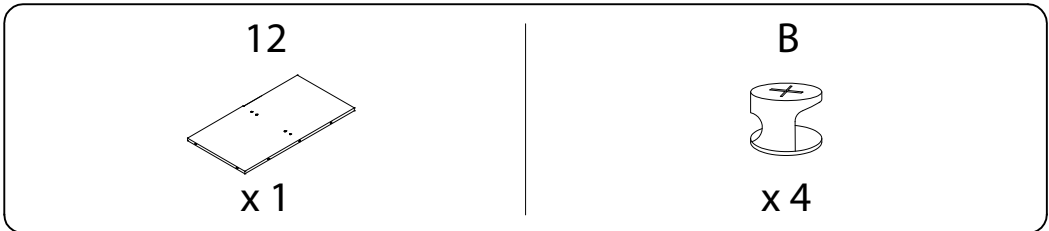
x 1

<p>A</p>  <p>x 30</p>	<p>B</p>  <p>x 30</p>	<p>C</p>  <p>x 14</p>	<p>D</p>  <p>M4 x 35</p> <p>x 6</p>		
<p>E</p>  <p>M3 x 12</p> <p>x 32</p>	<p>F</p>  <p>x 4</p>	<p>G</p>  <p>x 4</p>	<p>H</p>  <p>M4 x 35</p> <p>x 8</p>		
<p>J</p>  <p>x 4</p>	<p>K</p>  <p>x 1</p>	<p>L</p>  <p>x 3</p>	<p>M</p>  <p>M4 x 16</p> <p>x 3</p>		
<p>N</p>  <p>x 3</p>	<p>O</p>  <p>M4 x 25</p> <p>x 3</p>	<p>P</p>  <p>M6 x 60</p> <p>x 10</p>	<p>Q</p>  <p>x 10</p>	<p>R</p>  <p>x 2</p>	
<p>S</p>  <p>x 1</p>	<p>T</p>  <p>M3 x 16</p> <p>x 6</p>	<p>U</p>  <p>x 1</p>	<p>V</p>  <p>x 4</p>	<p>W</p>  <p>x 2</p>	<p>X</p>  <p>M4 x 14</p> <p>x 12</p>

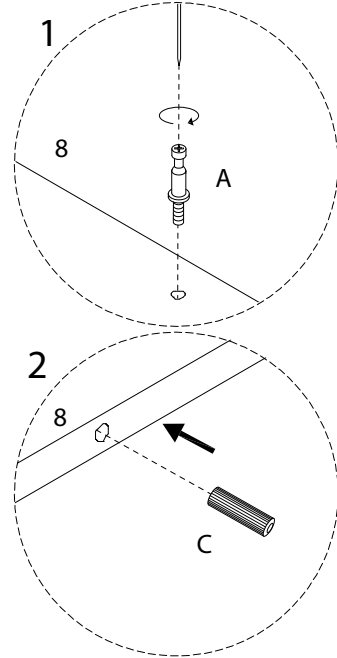
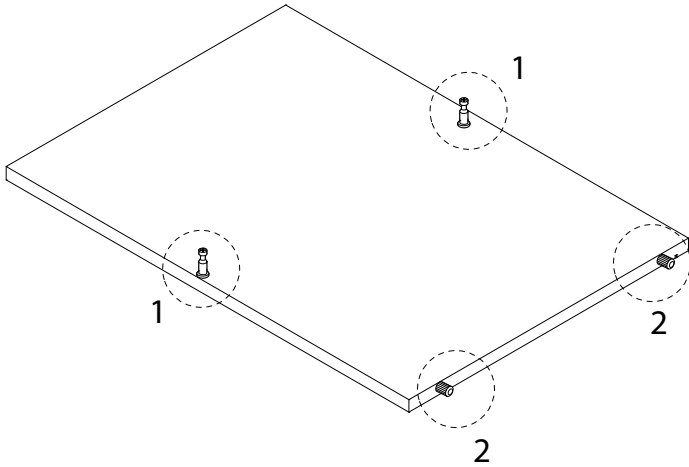
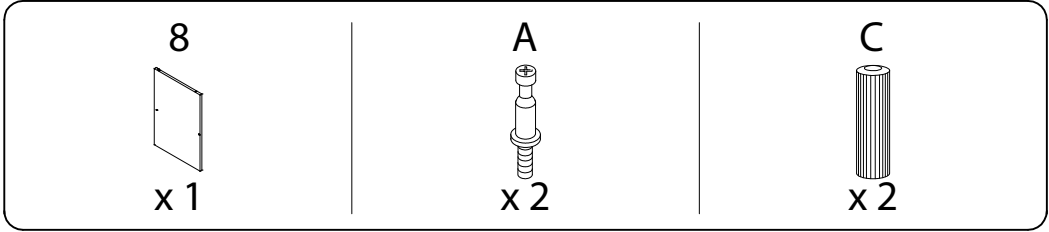
1 x 2



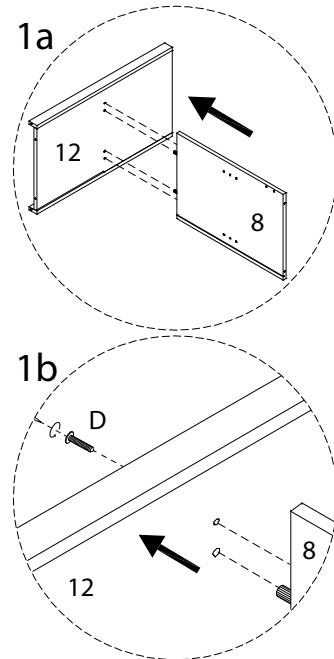
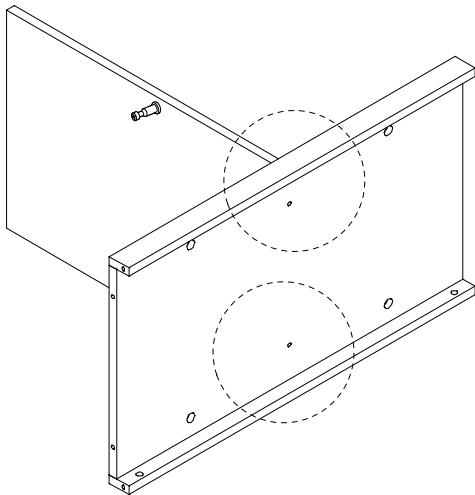
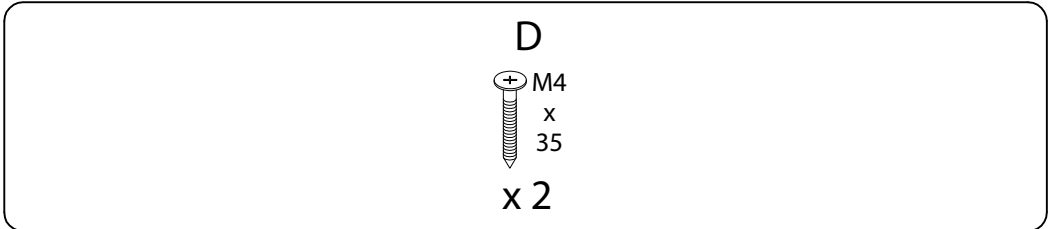
2



3

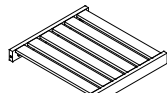


4



5

9

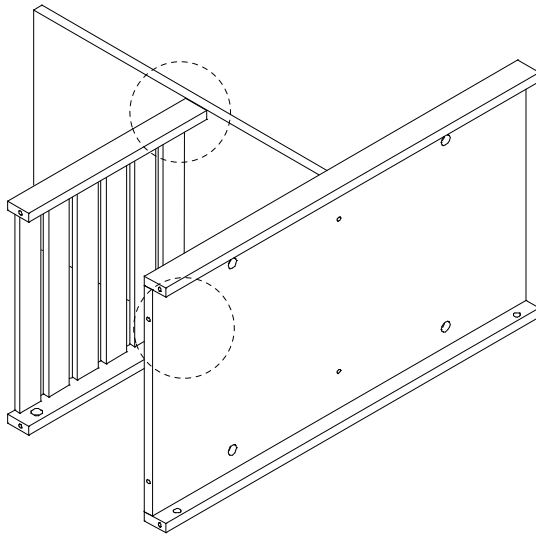


x 1

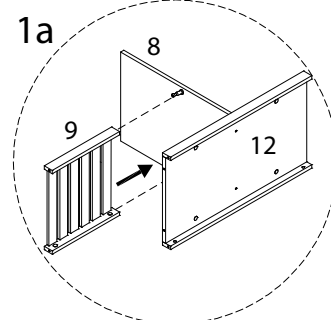
B



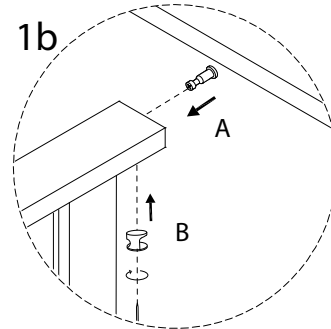
x 2



1a

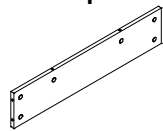


1b



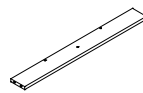
6

4



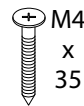
x 1

7

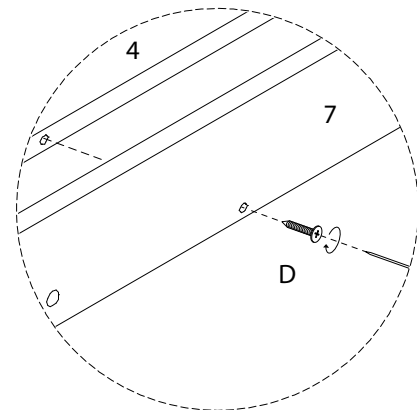
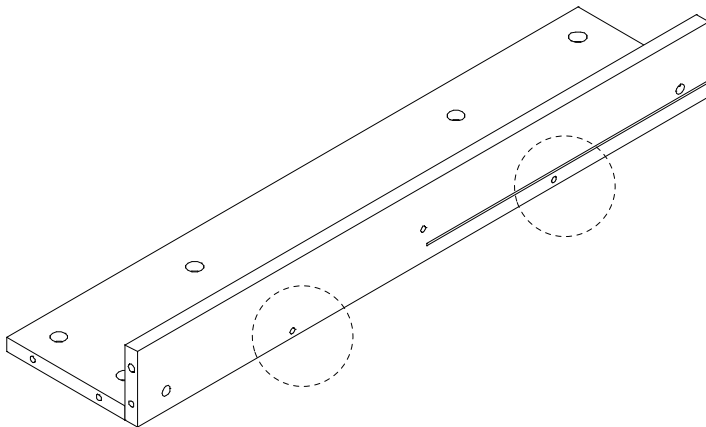


x 1

D

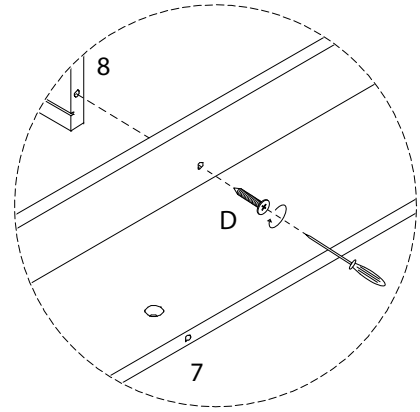
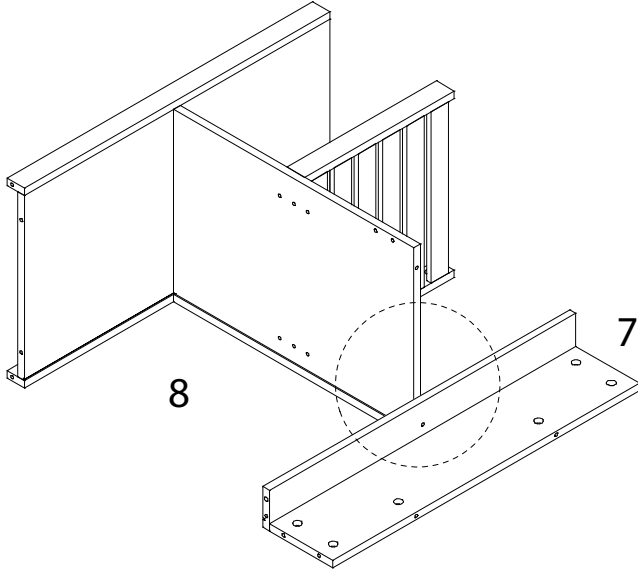


x 2



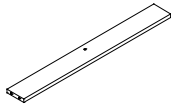
7

D  
M4  
x  
35  
x 1



8

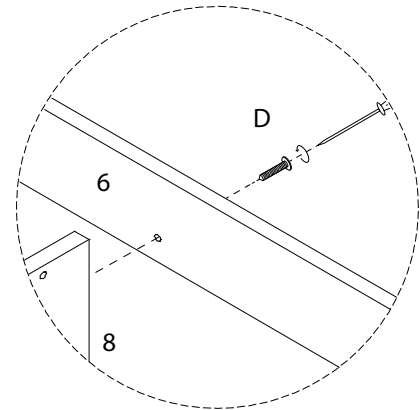
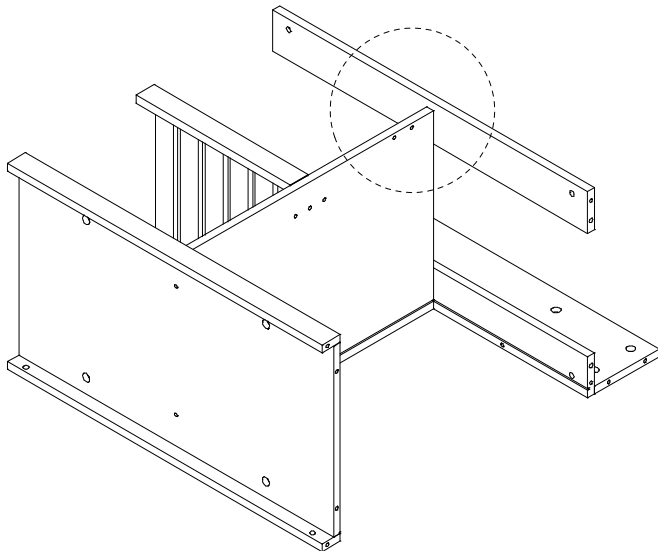
6



x 1

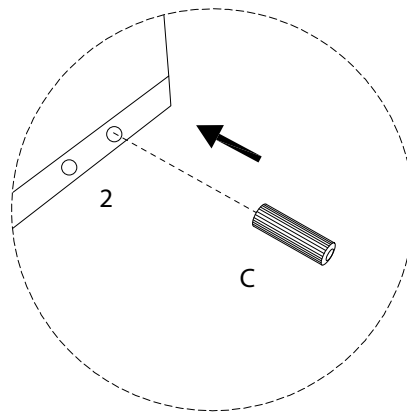
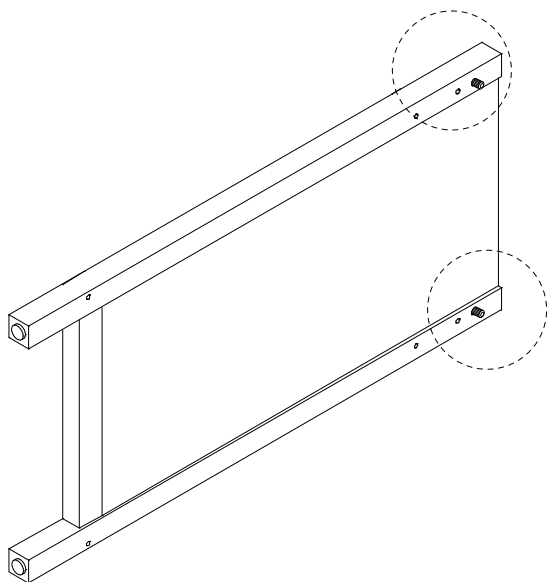
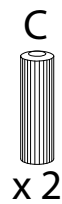
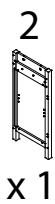
D

M4  
x  
35  
x 1





9



10

21



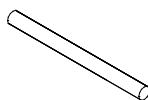
x 1

22



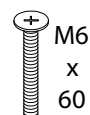
x 1

23



x 1

P

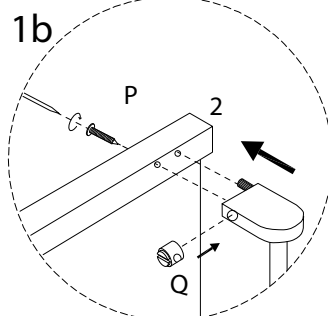
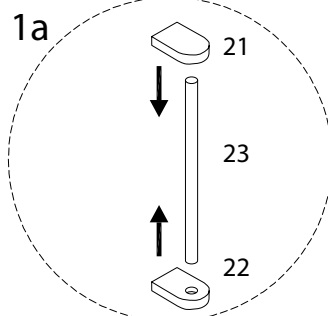
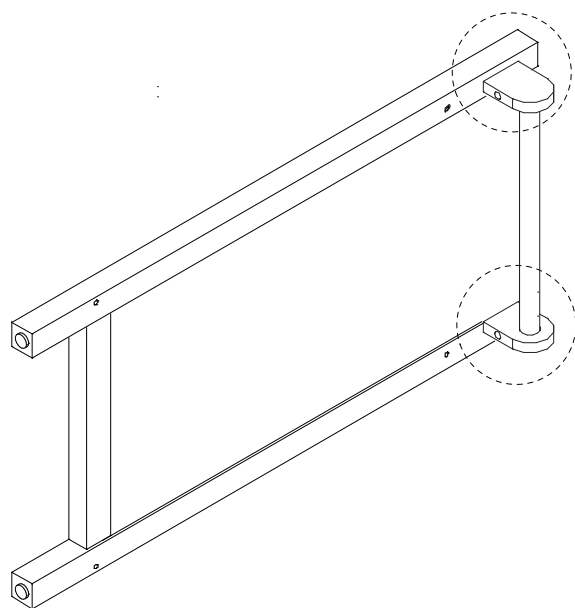


x 2

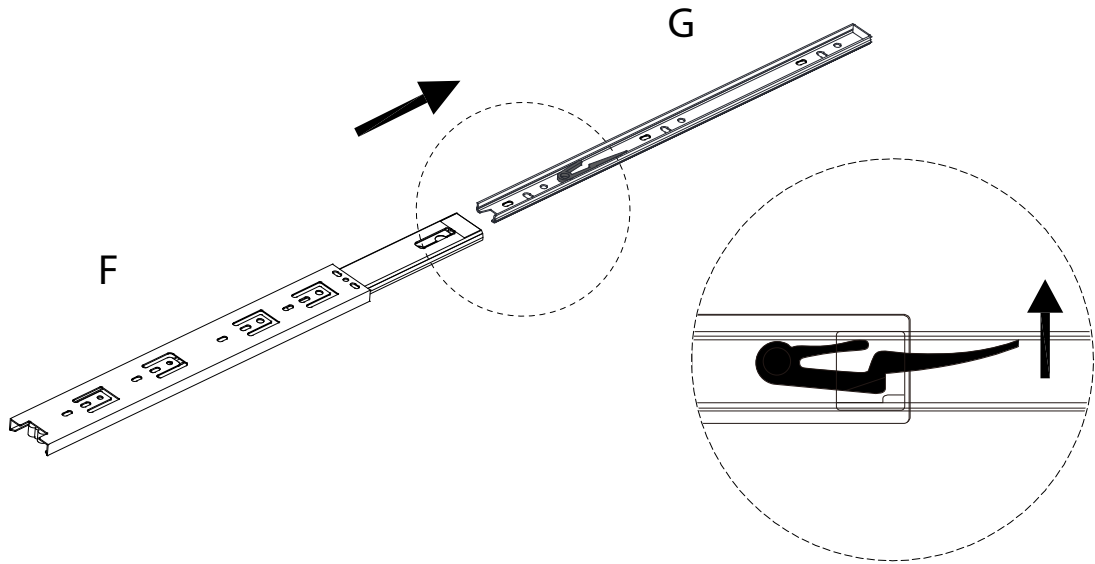
Q



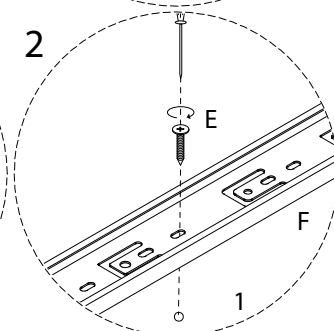
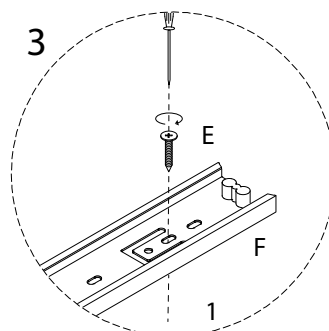
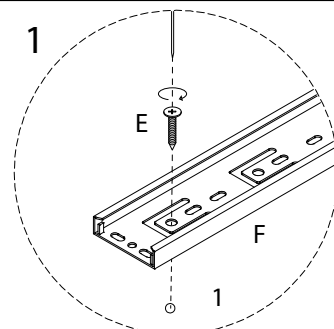
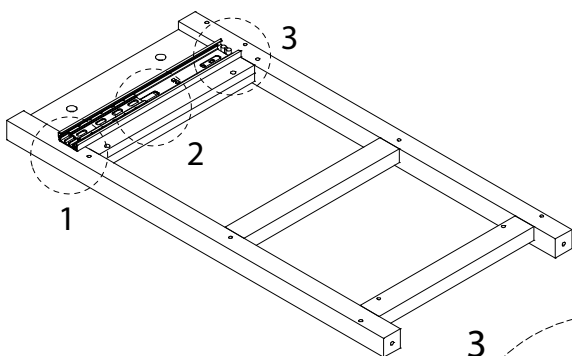
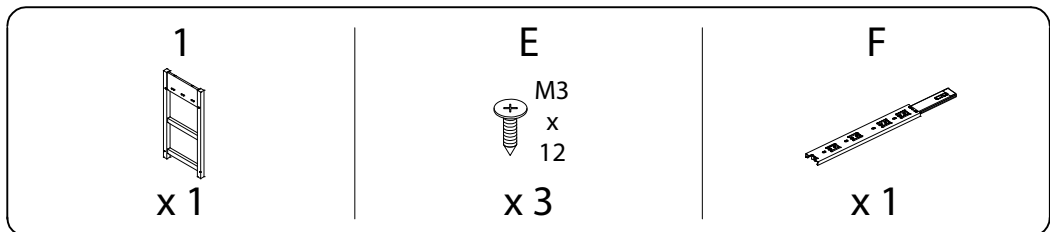
x 2



!



11



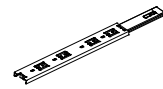
12

E

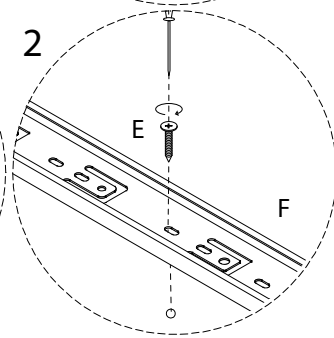
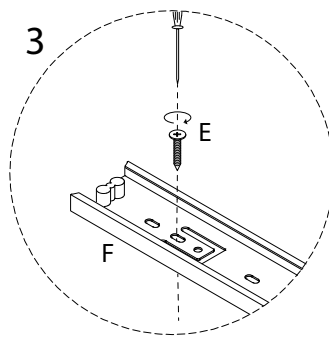
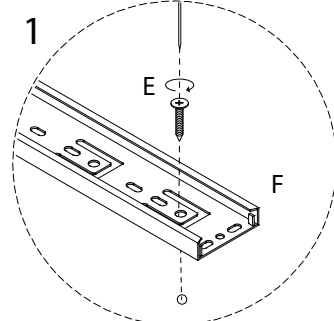
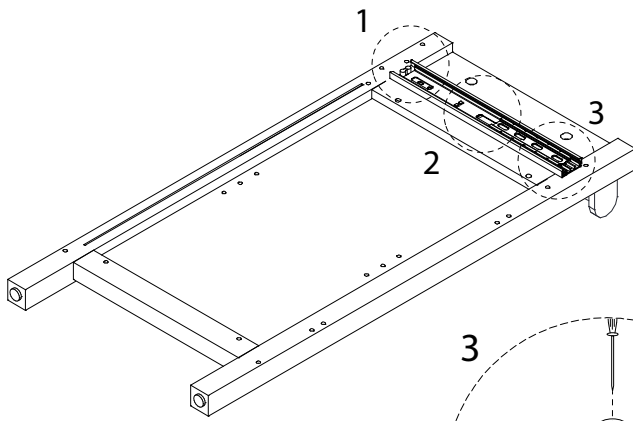


x 3

F

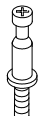


x 1



13

A

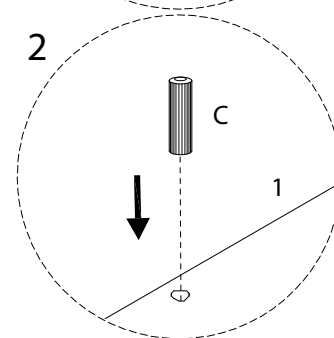
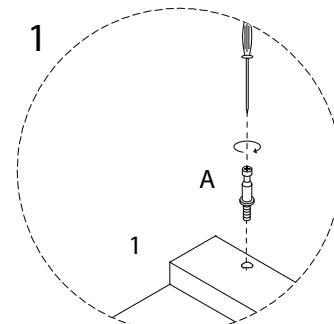
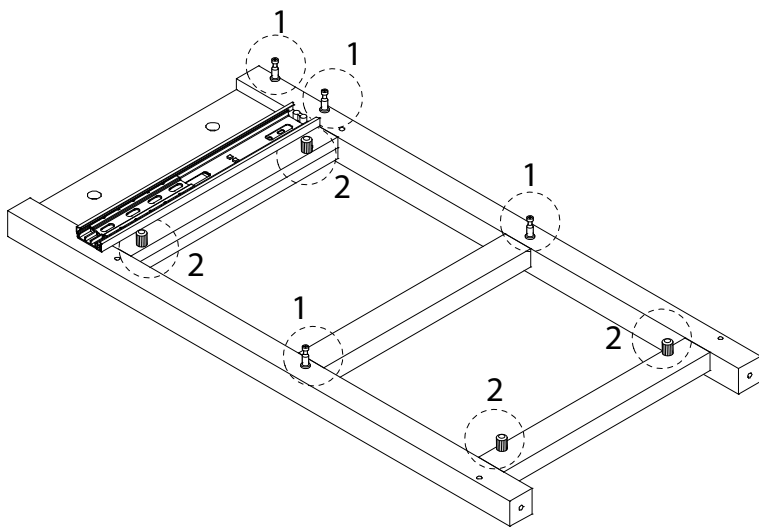


x 4

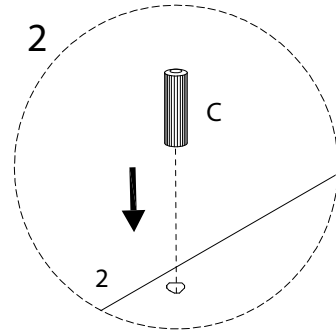
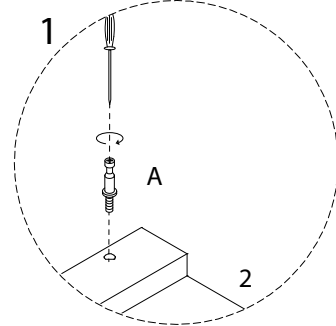
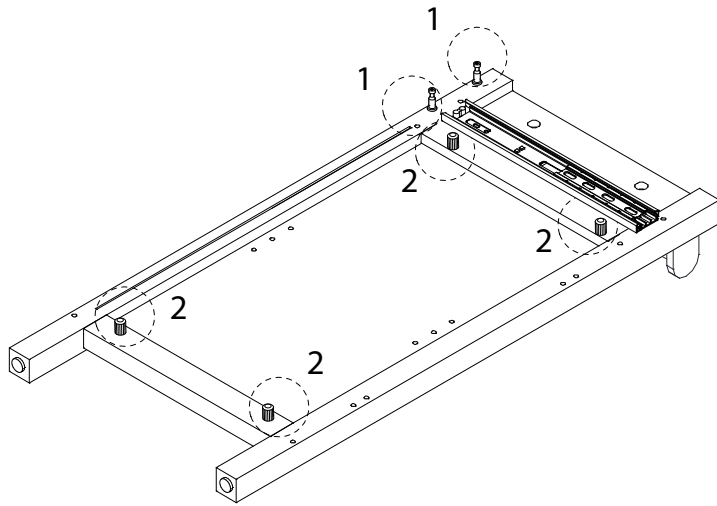
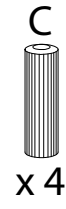
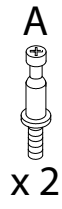
C



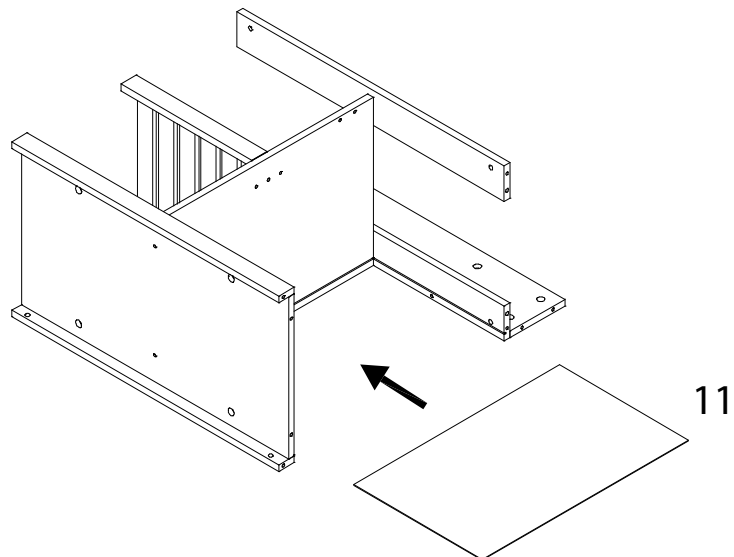
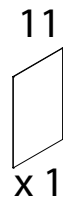
x 4



14



15



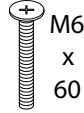
16

B



x 2

P

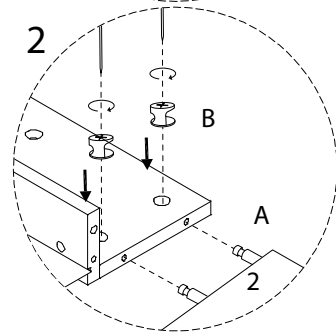
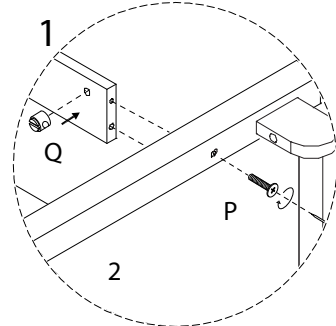
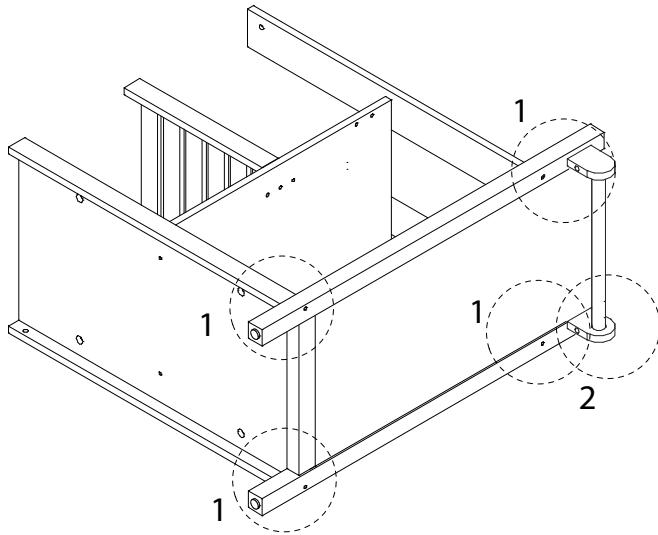


x 4

Q



x 4



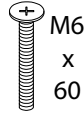
17

B



x 4

P

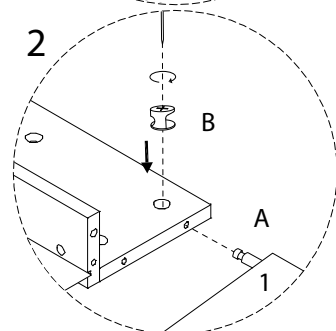
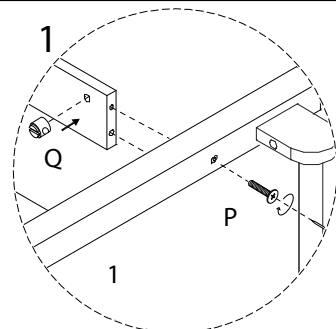
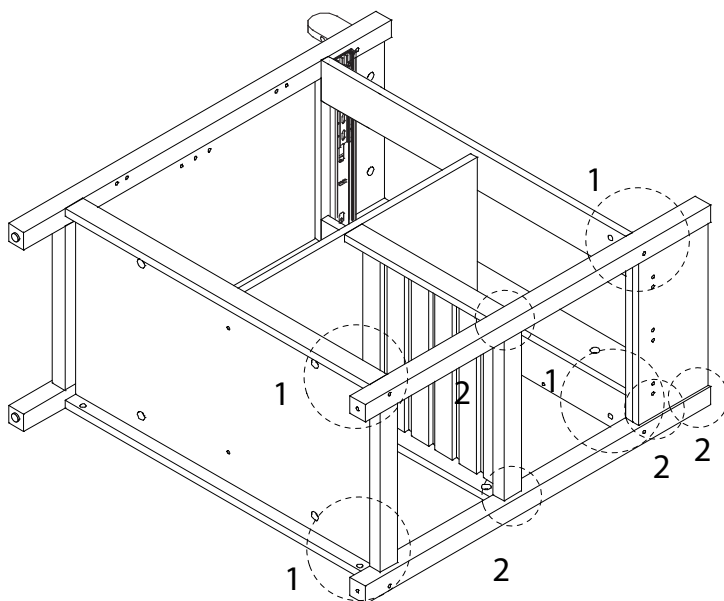


x 4

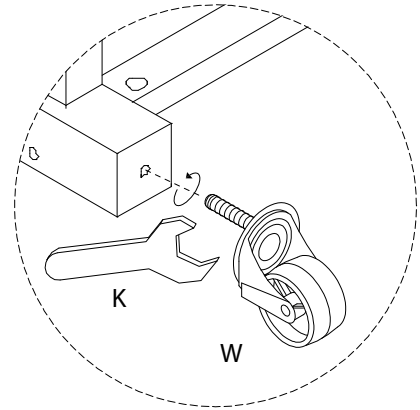
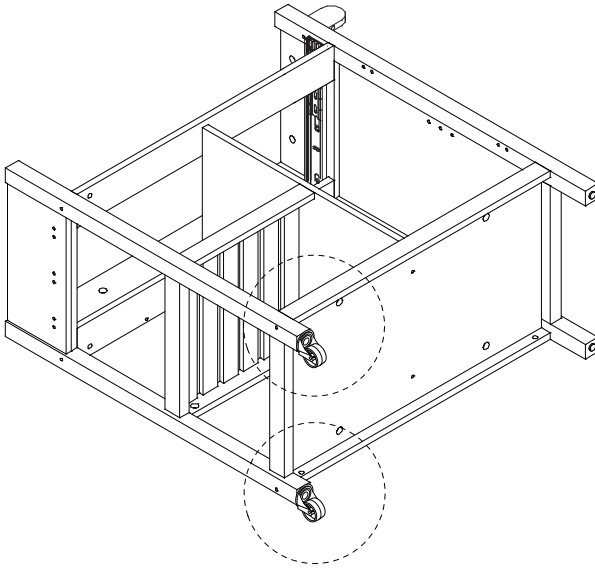
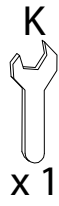
Q



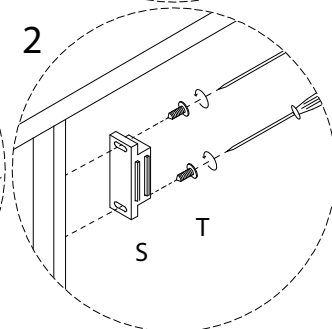
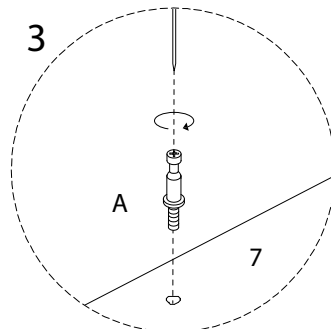
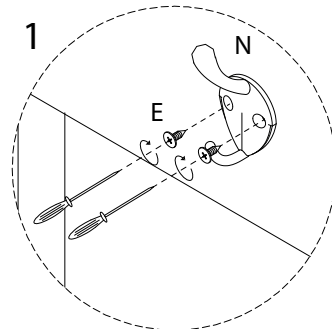
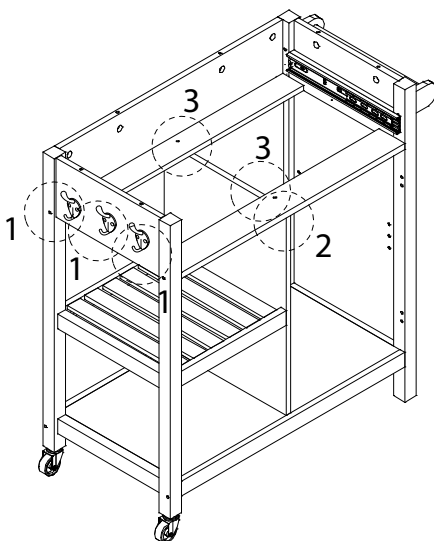
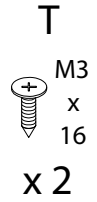
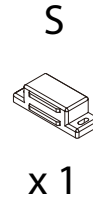
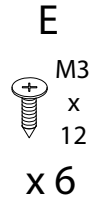
x 4



18



19



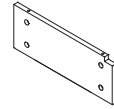
20

B

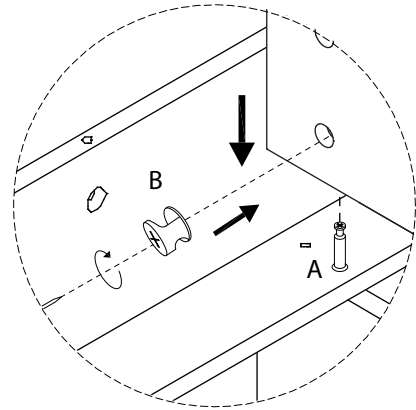
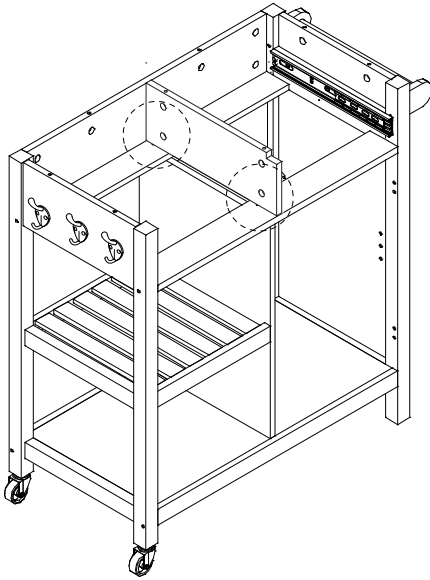


x 2

20



x 1



21

E

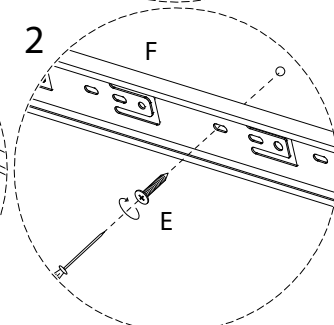
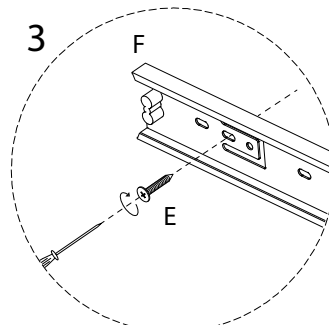
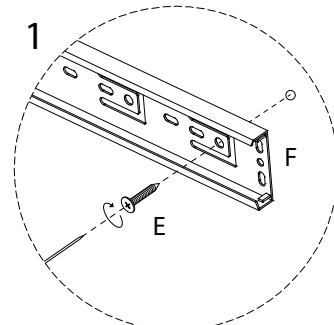
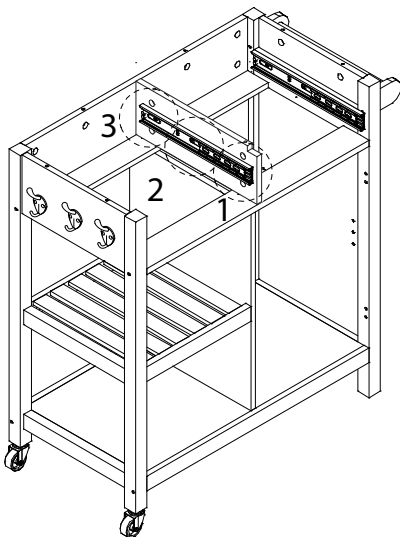


x 6

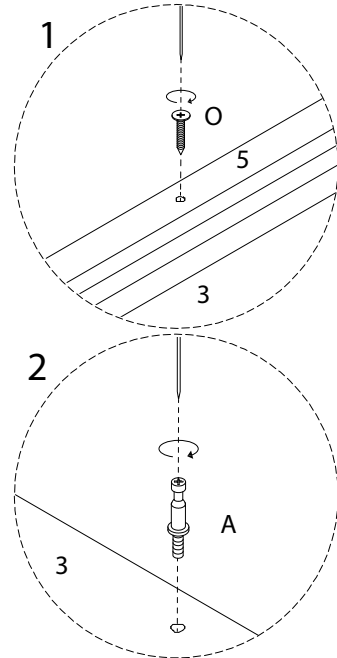
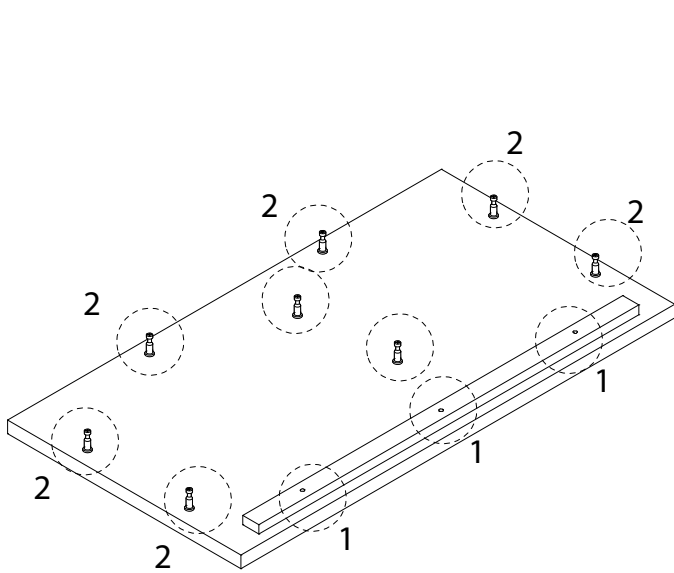
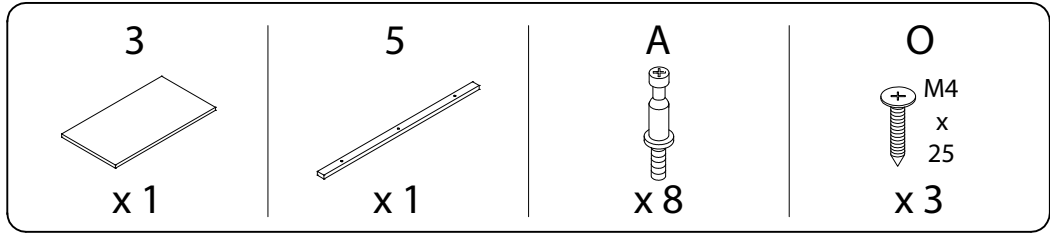
F



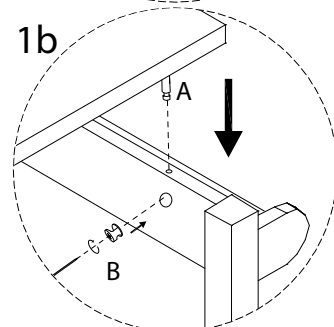
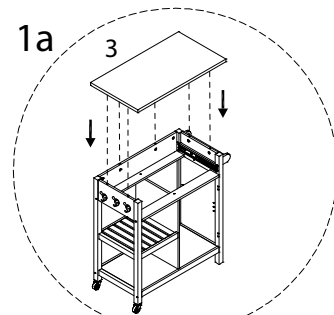
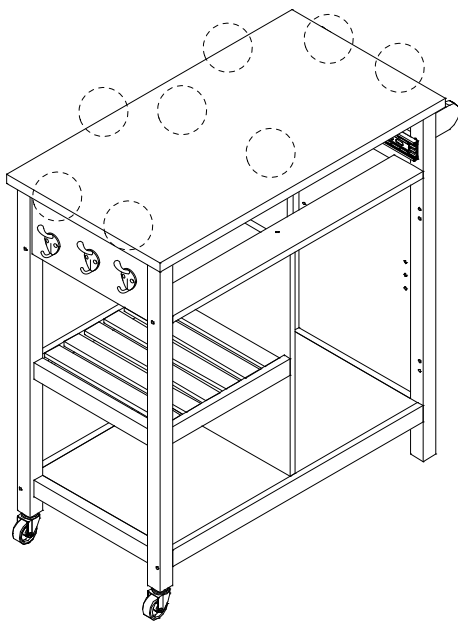
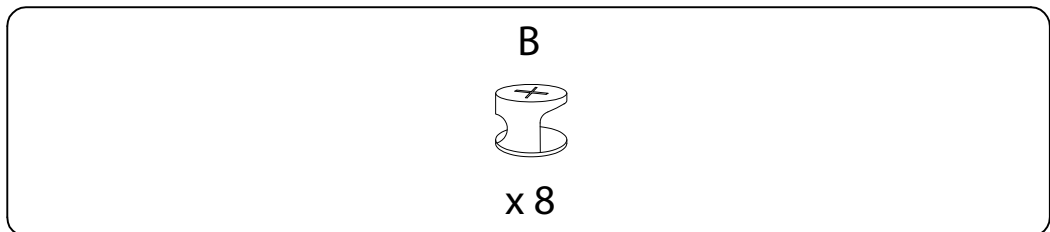
x 2



22



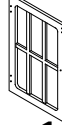
23





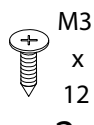
24

14



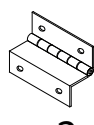
x 1

E



x 2

R



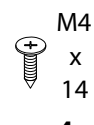
x 2

U

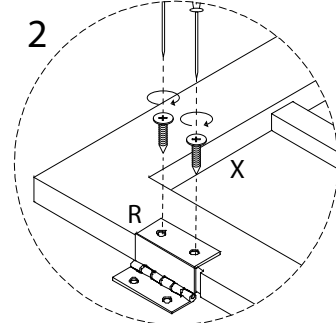
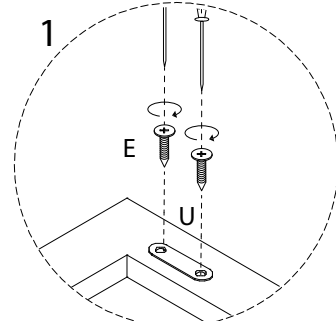
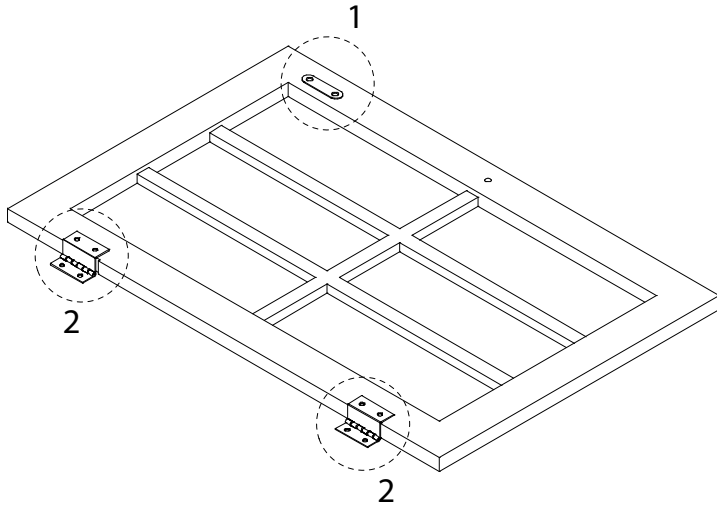


x 1

X

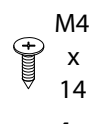


x 4

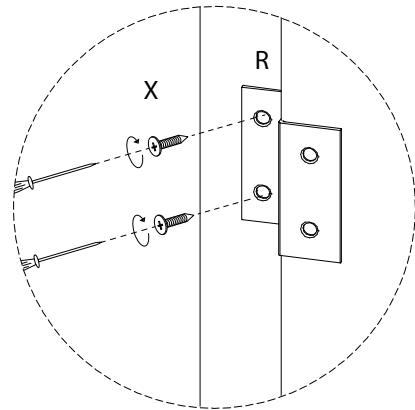
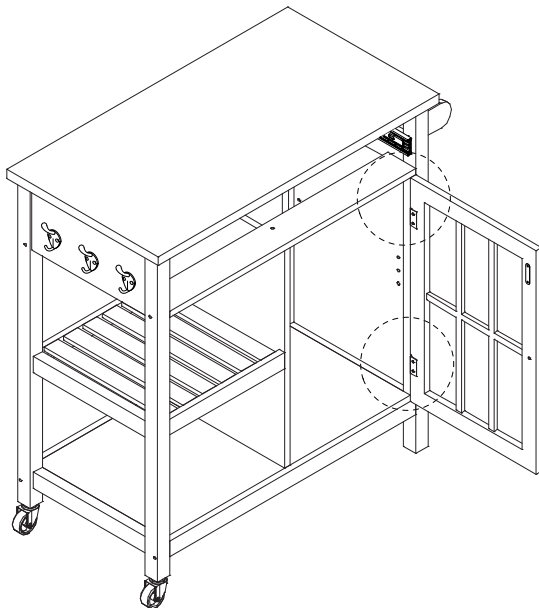


25

X



x 4



26

L

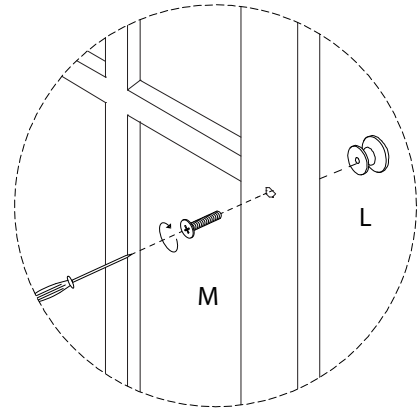
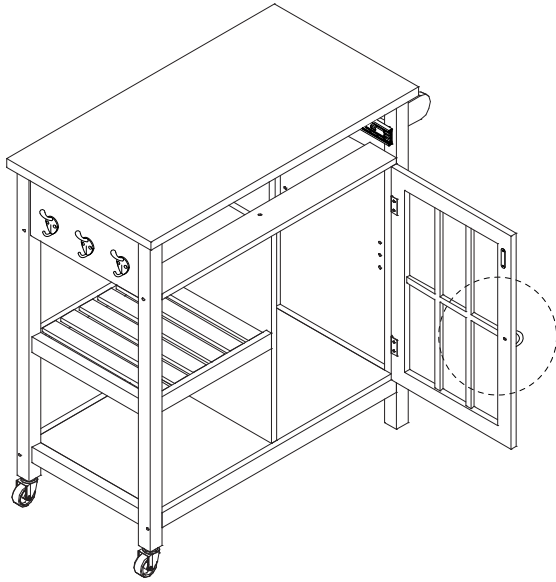


x 1

M

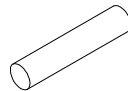


x 1

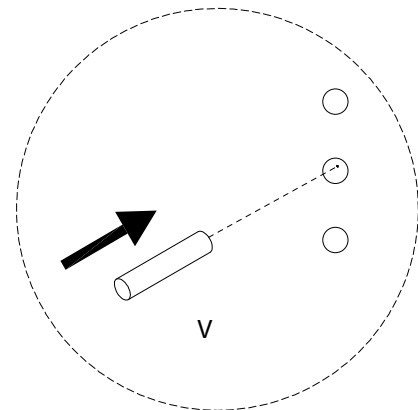
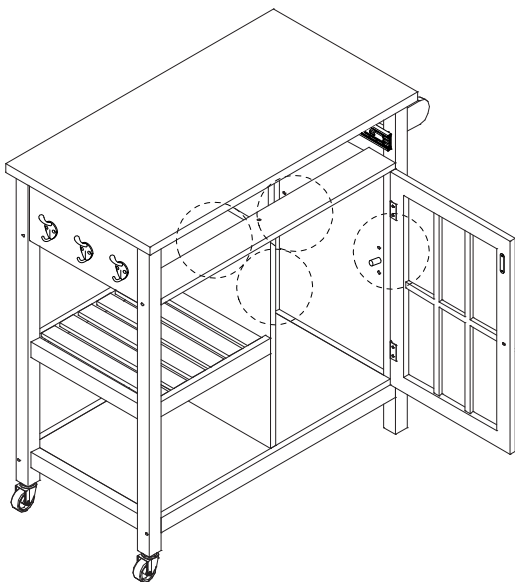


27

V

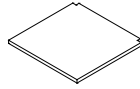


x 4

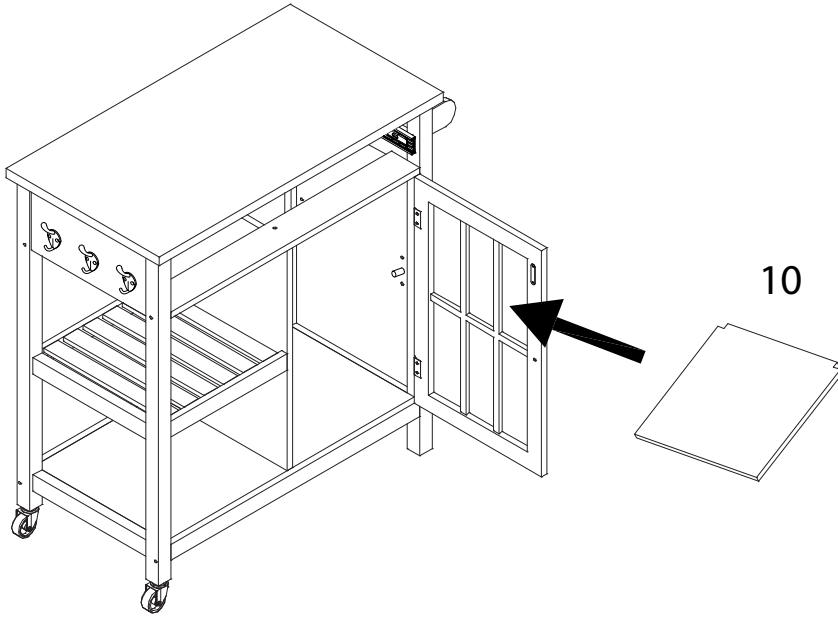


28

10

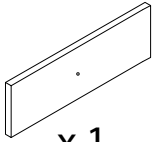


x 1



29 x 2

19

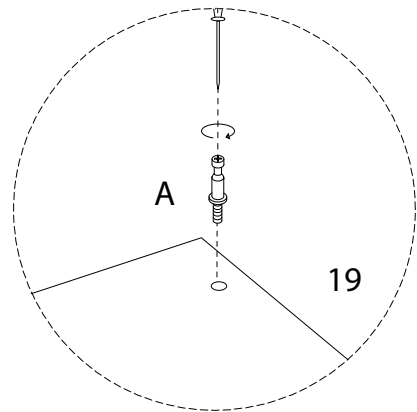
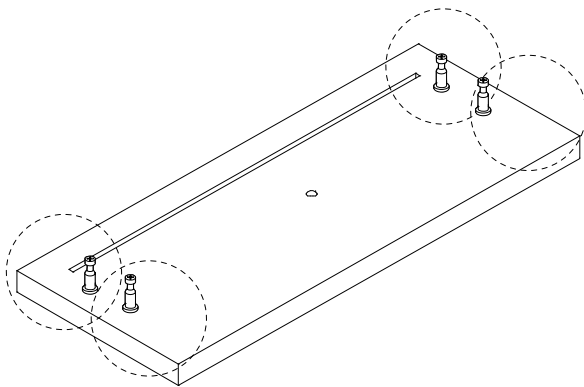


x 1

A

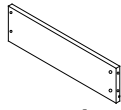


x 4



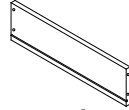
30 x 2

15



x 1

16

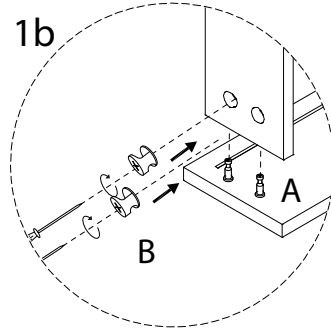
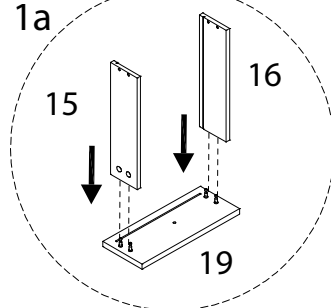
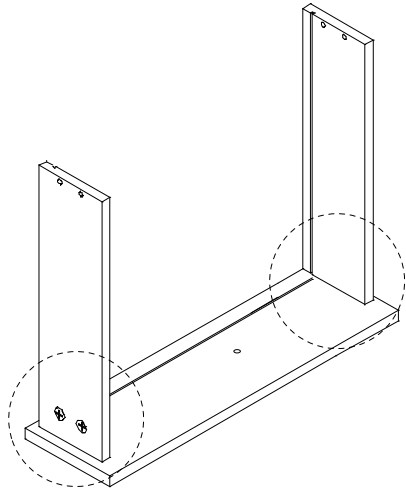


x 1

B

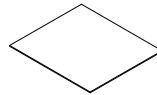


x 4

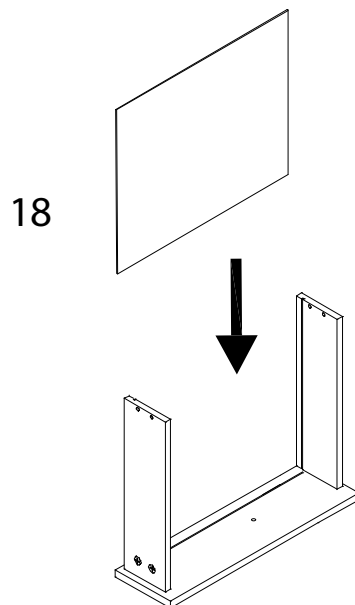


31 x 2

18

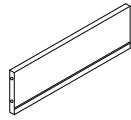


x 1



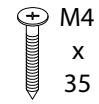
32 x 2

17



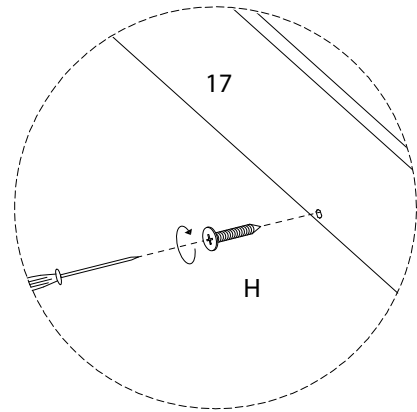
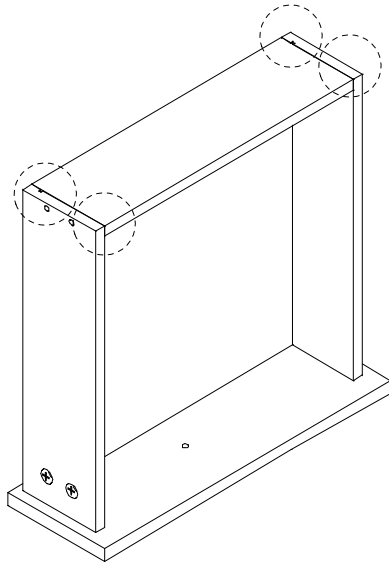
x 1

H



x 4

17



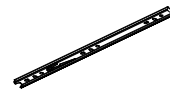
33 x 2

E

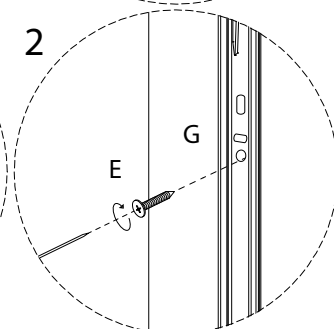
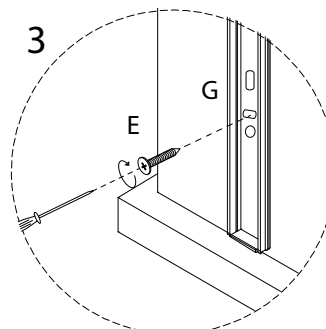
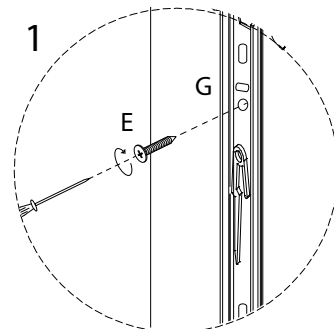
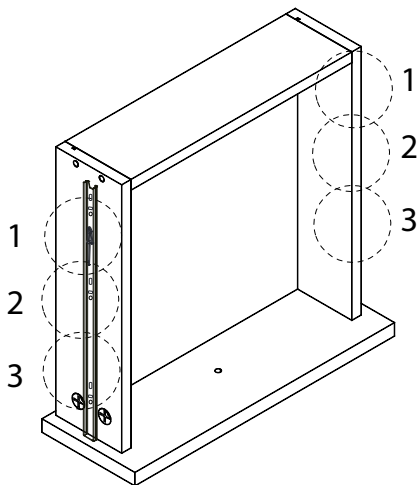


x 6

G



x 2



34 x 2

L

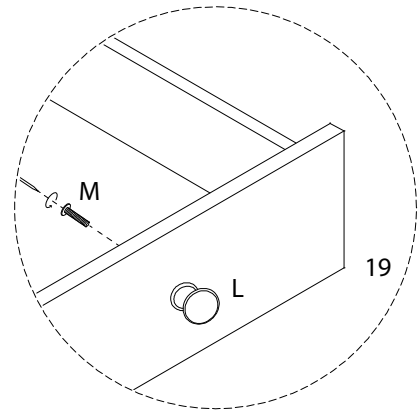
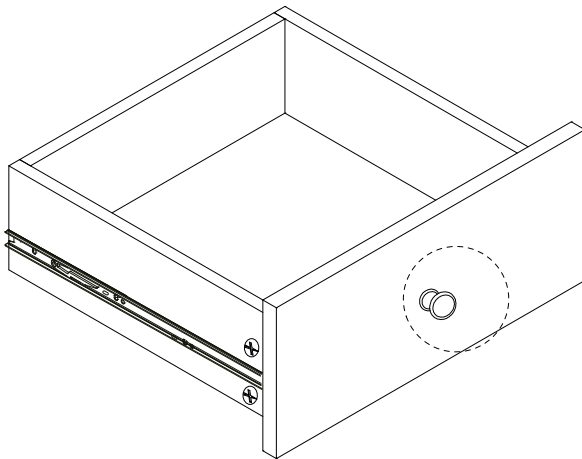


x 1

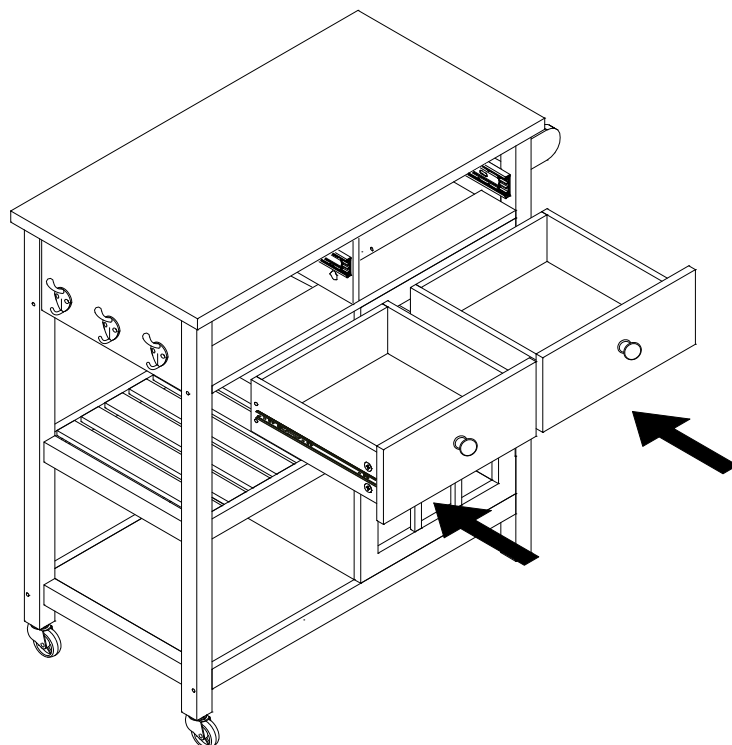
M



x 1



35



36

J

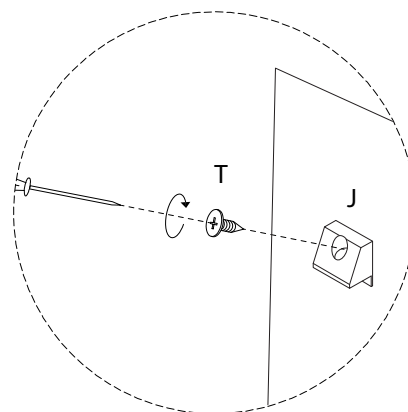
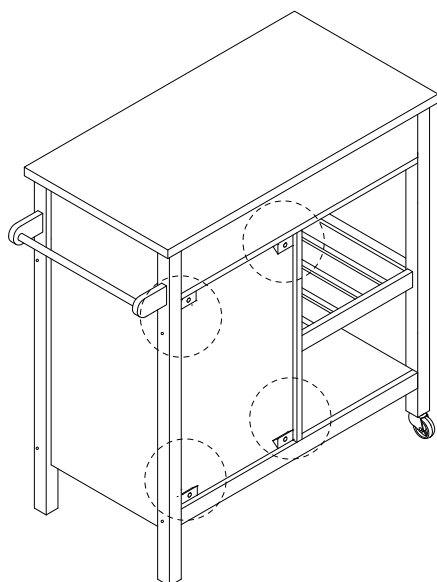


x 4

T



x 4



!

X  
M4  
x  
14  
x 4

