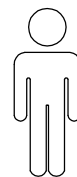
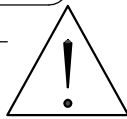
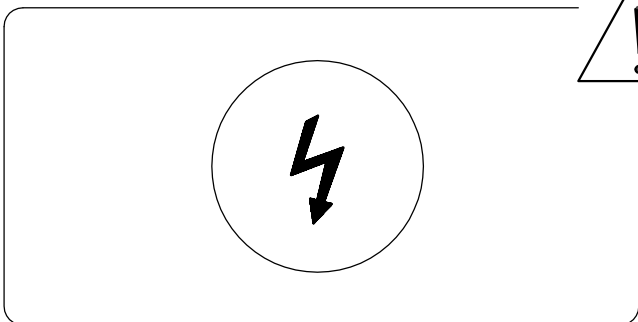


20'



1

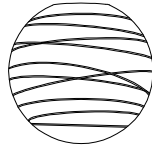
1/4

A



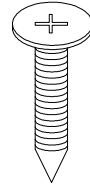
x 1

B



x 1

C



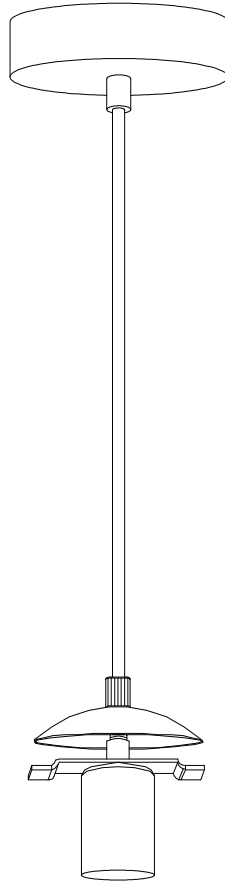
x 2

D

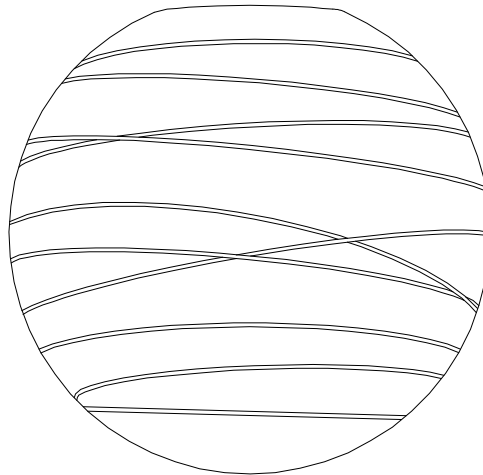


x 2

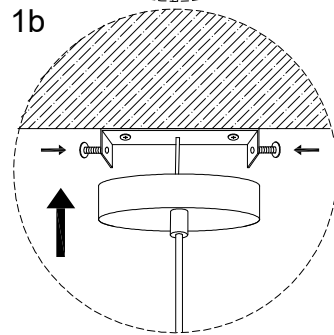
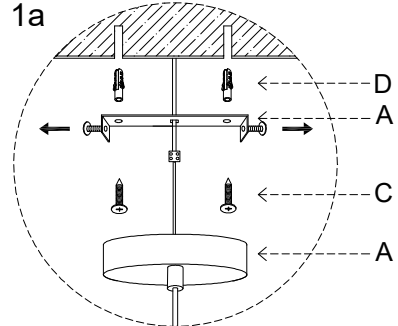
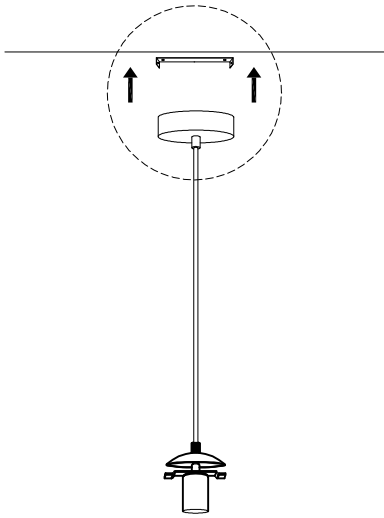
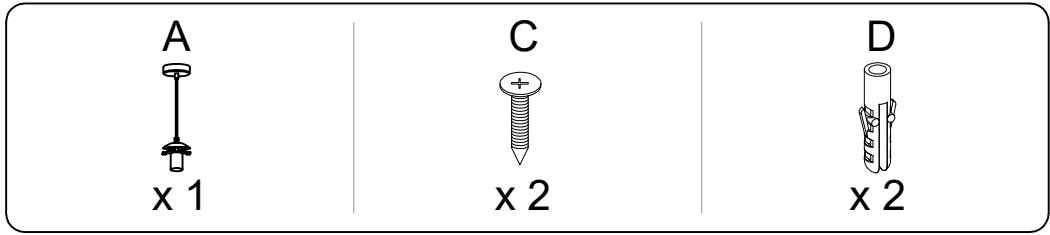
A



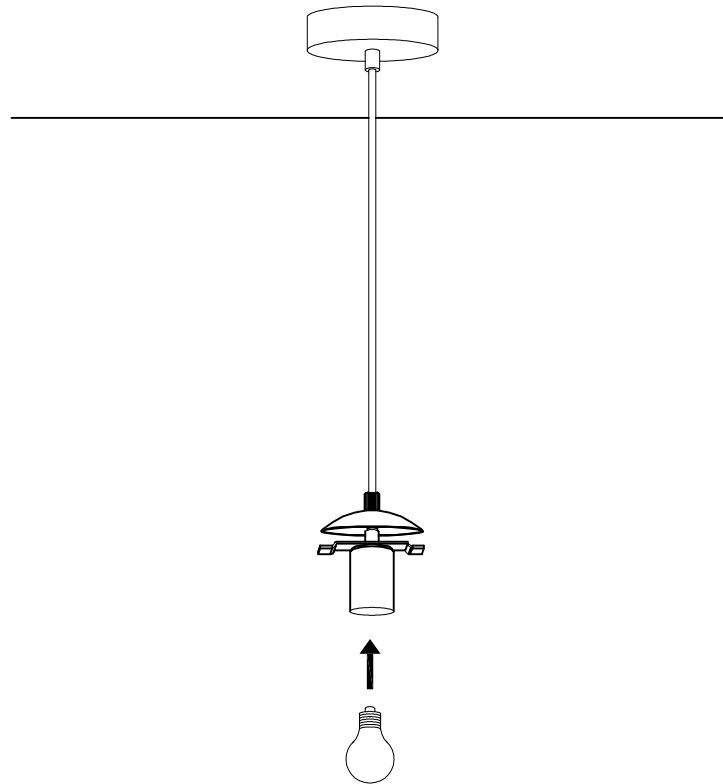
B



1



2



1

B



x 1

