
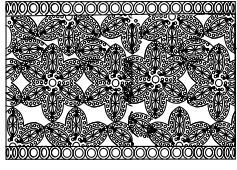
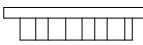
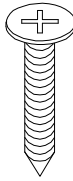
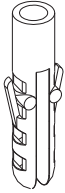
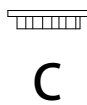
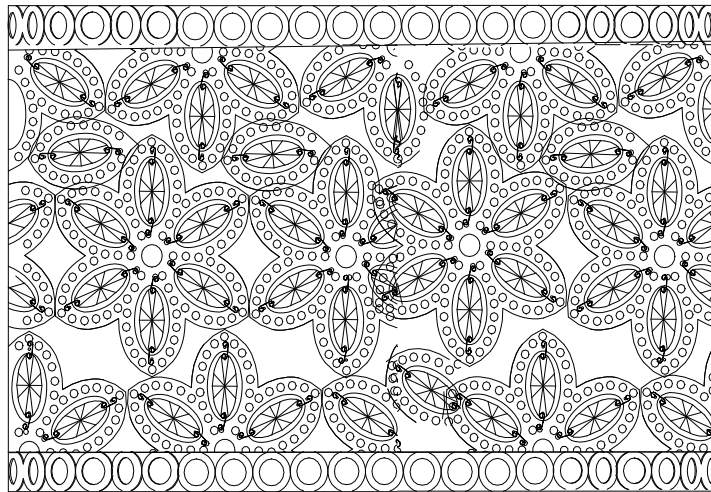
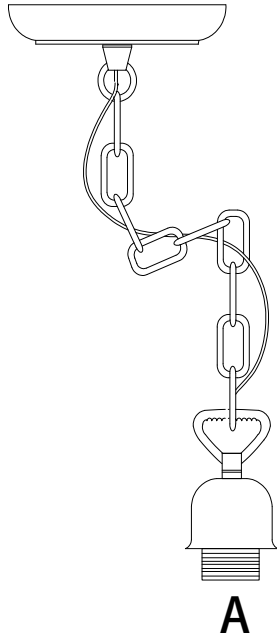


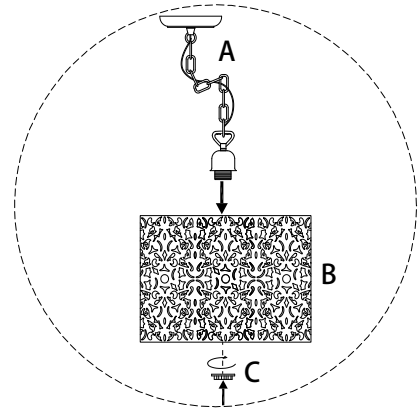
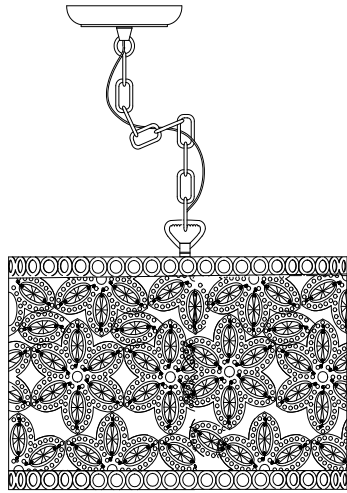
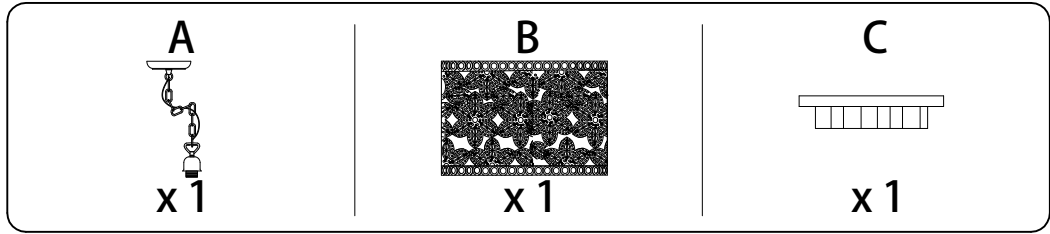
A rectangular box containing a circular icon of a screwdriver and a power drill with a diagonal slash through it. To the right of the box is a warning triangle with an exclamation mark.	
15'	
A rectangular box containing a circular icon of a block on a brick and a brick with a diagonal slash through it. To the right of the box is a warning triangle with an exclamation mark.	
1	

1/4

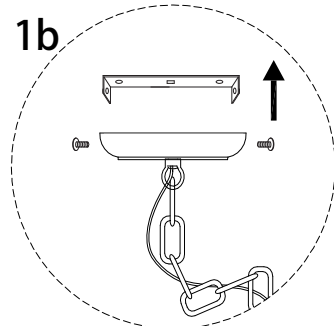
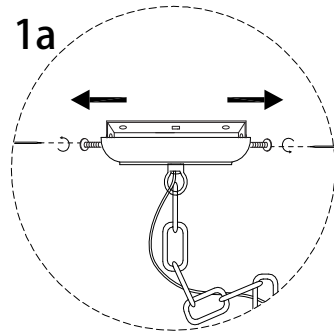
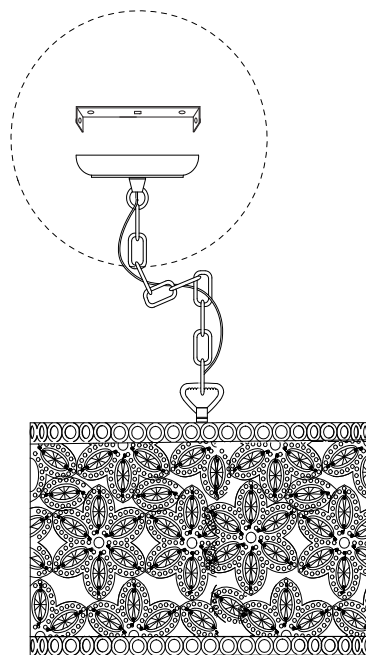
<p>A</p>  <p>x 1</p>	<p>B</p>  <p>x 1</p>	<p>C</p>  <p>x 1</p>	<p>D</p>  <p>x 2</p>	<p>E</p>  <p>x 2</p>
---	---	---	---	---



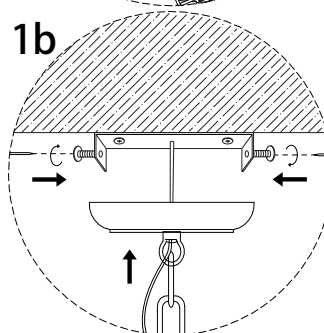
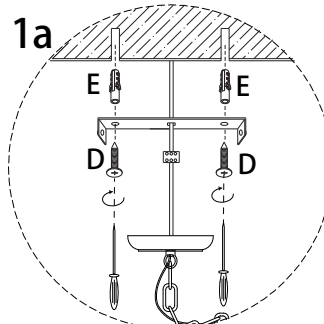
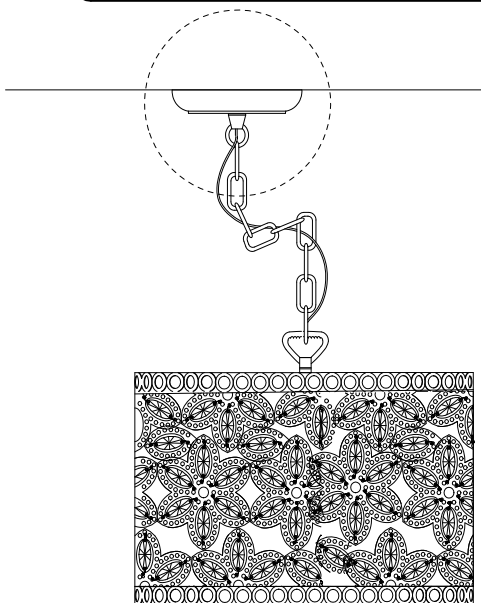
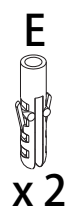
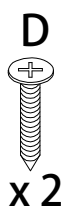
1



2



3



4

