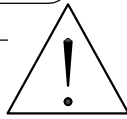
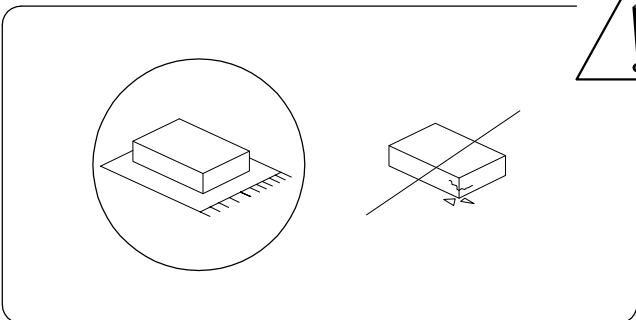



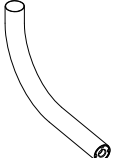


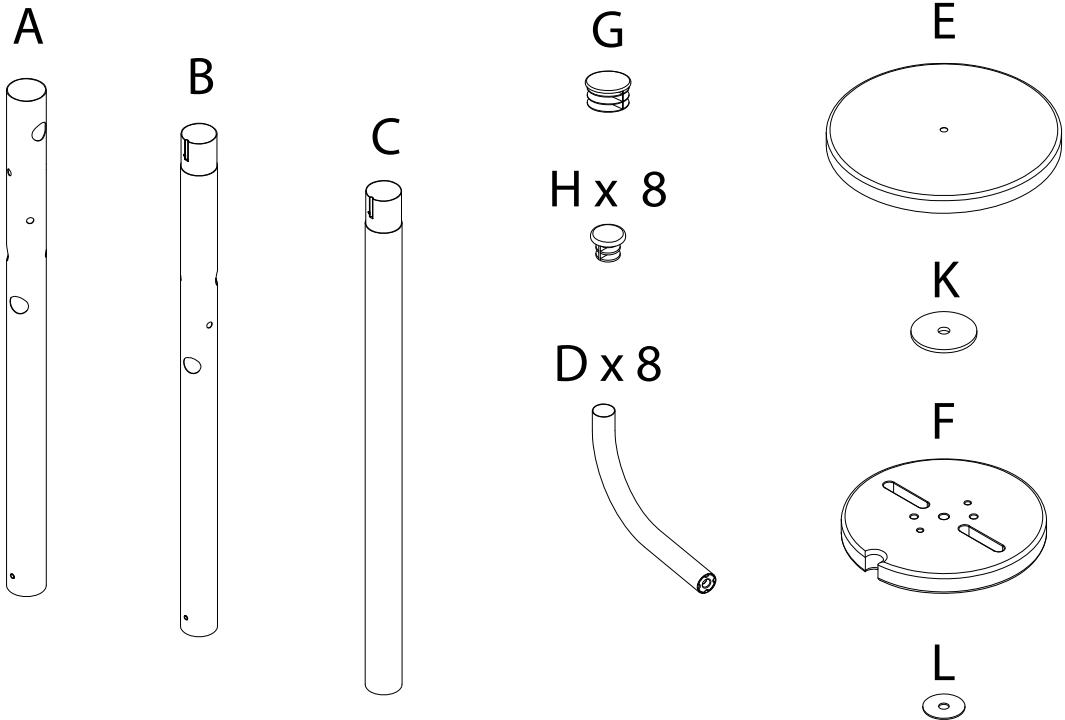
20'

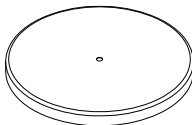
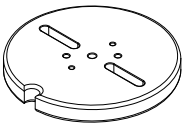


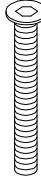
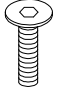






1

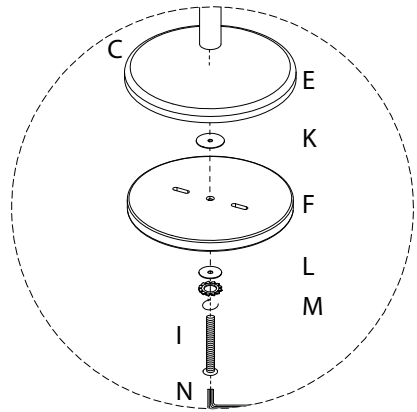
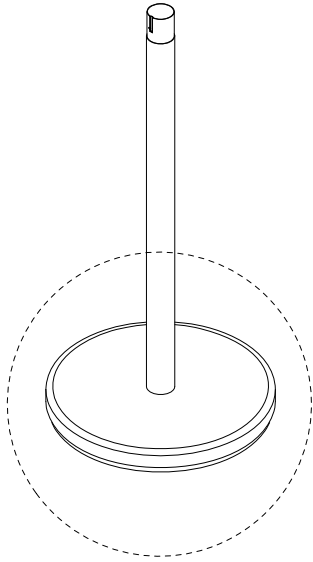
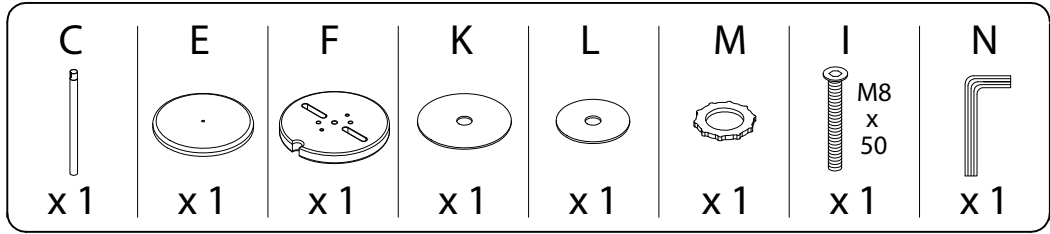
1/4

<b>A</b>  <b>x 1</b>	<b>B</b>  <b>x 1</b>	<b>C</b>  <b>x 1</b>	<b>D</b>  <b>x 8</b>
---	---	---	---

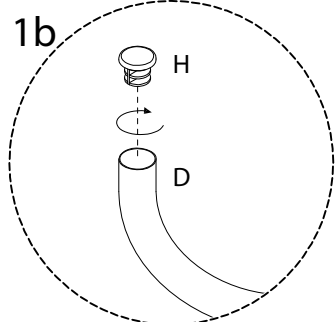
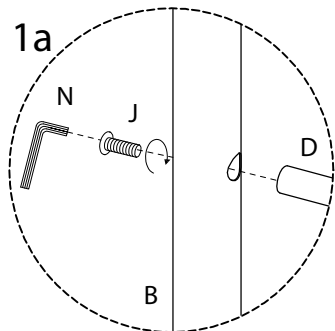
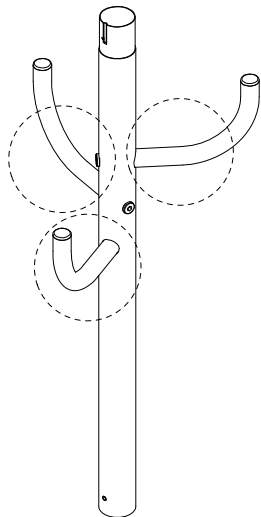
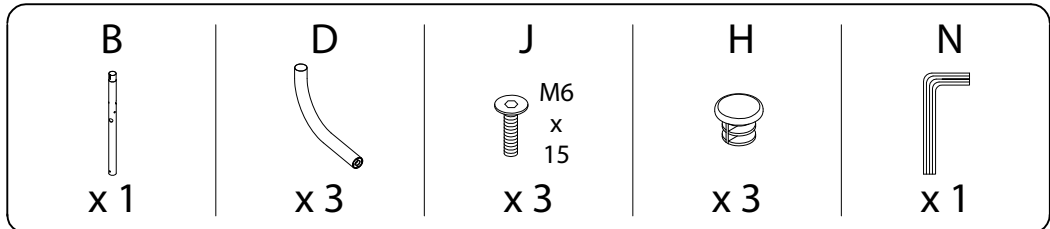


<b>E</b>  <b>x 1</b>	<b>F</b>  <b>x 1</b>	<b>G</b>  <b>x 1</b>	<b>H</b>  <b>x 8</b>	<b>I</b>  M8 x 50 <b>x 1</b>
<b>J</b>  M6 x 15 <b>x 8</b>	<b>K</b>  <b>x 1</b>	<b>L</b>  <b>x 1</b>	<b>M</b>  <b>x 1</b>	<b>N</b>  <b>x 1</b>

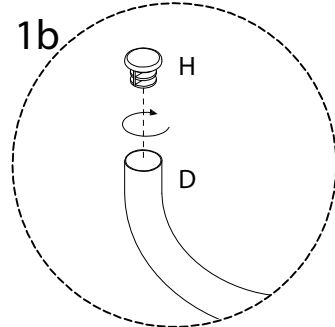
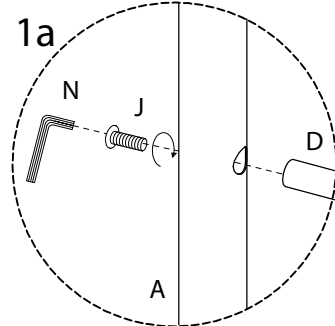
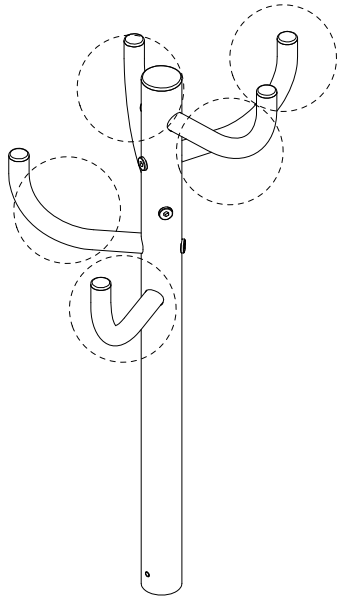
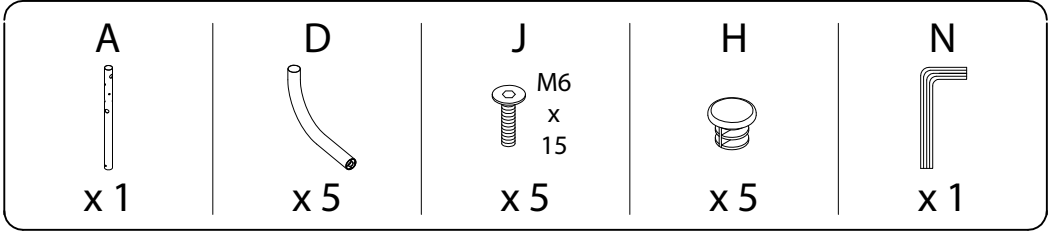
1



2



3



4

