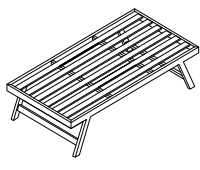
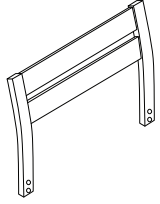
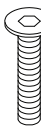
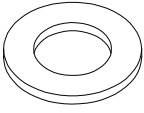
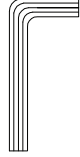
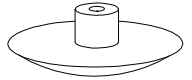
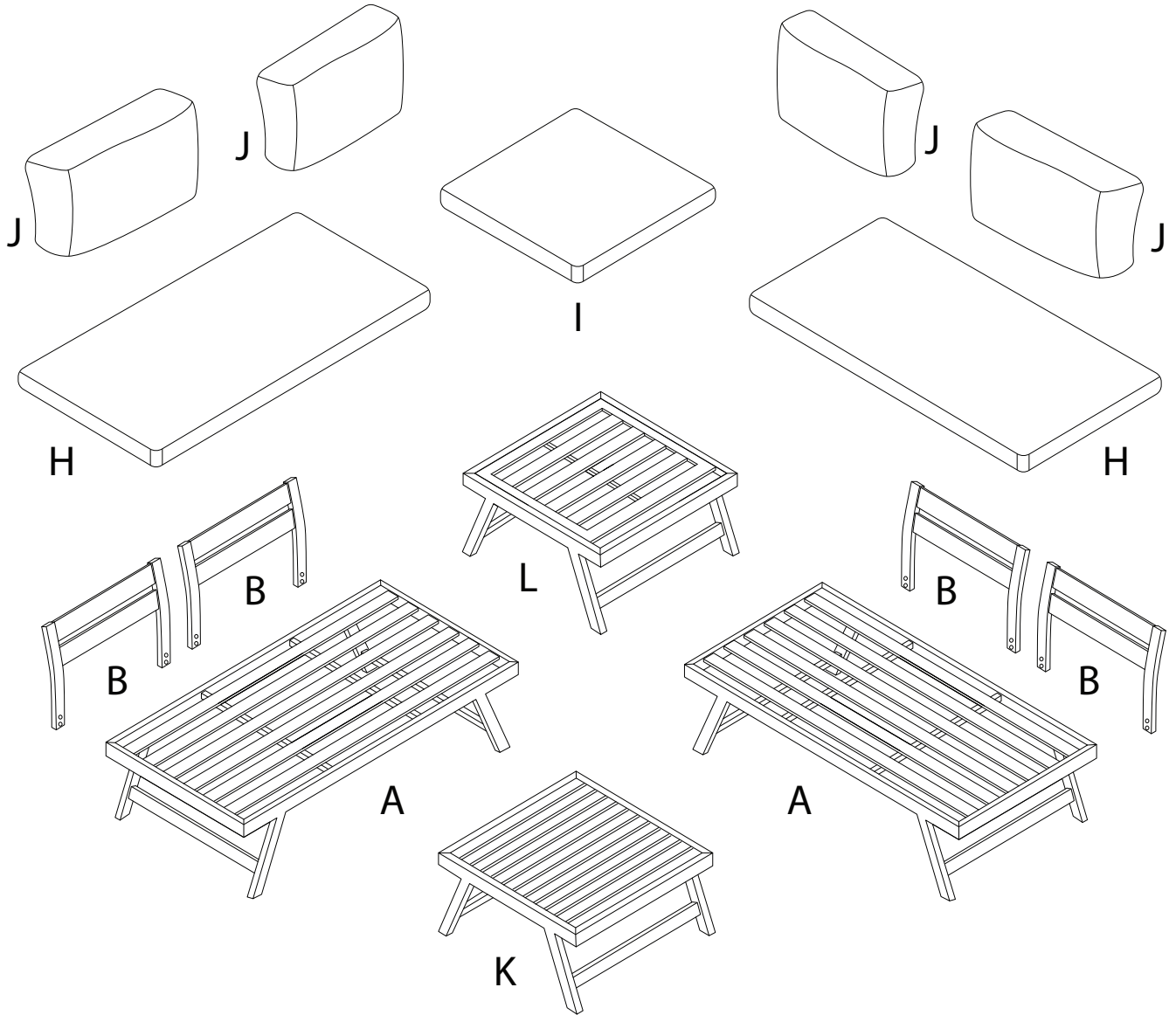
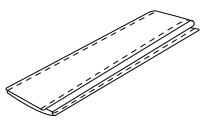
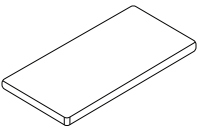
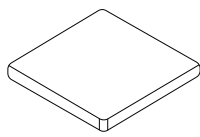
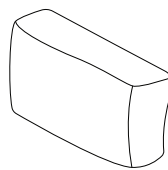
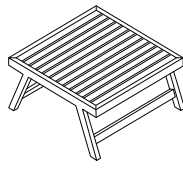
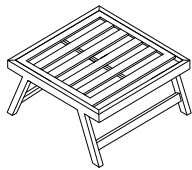


Assembly instructions for step 1/6:

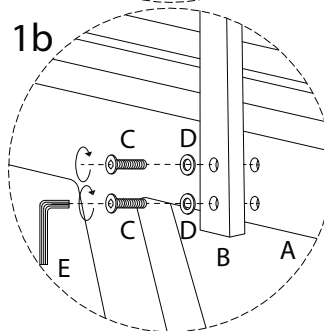
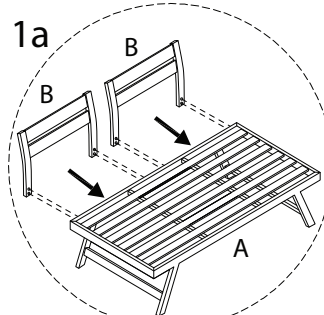
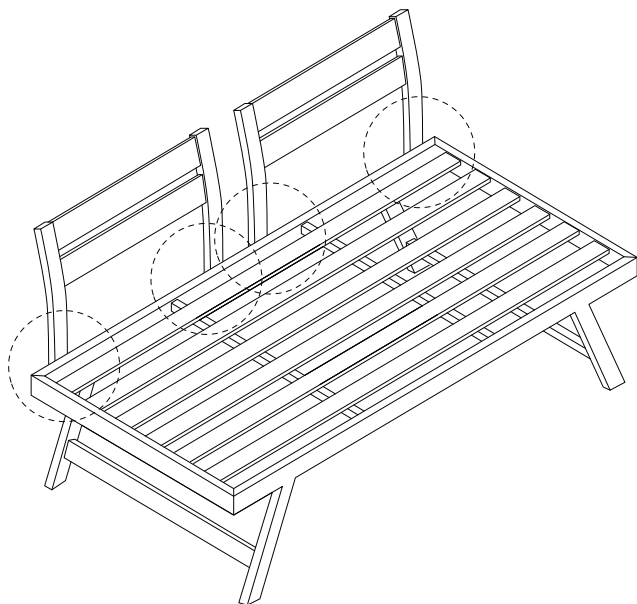
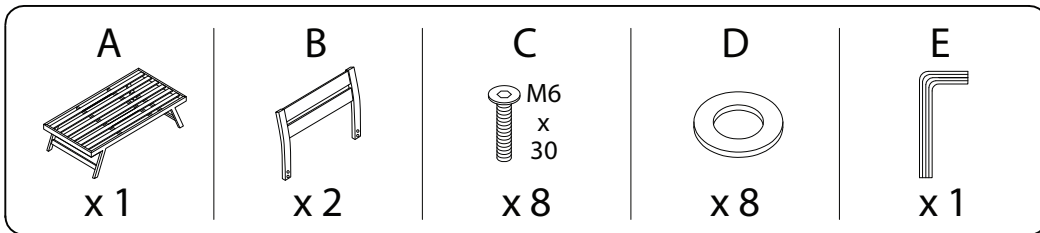
- Warning:** Do not use a power drill. Use an Allen key (shown in a circle) to tighten the corner brackets.
- Warning:** Do not place the sofa on uneven ground. Use the provided leveling feet (shown in a circle) to ensure stability.
- Time:** 30 minutes.
- Personnel:** 2 people.

A  x 2	B  x 4	C  M6 x 30 x 16	D  x 16	E  x 1	F  x 16
---	---	--	--	---	--

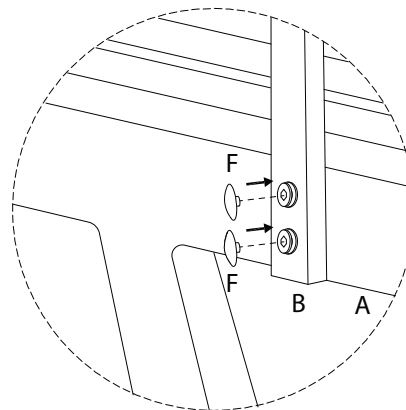
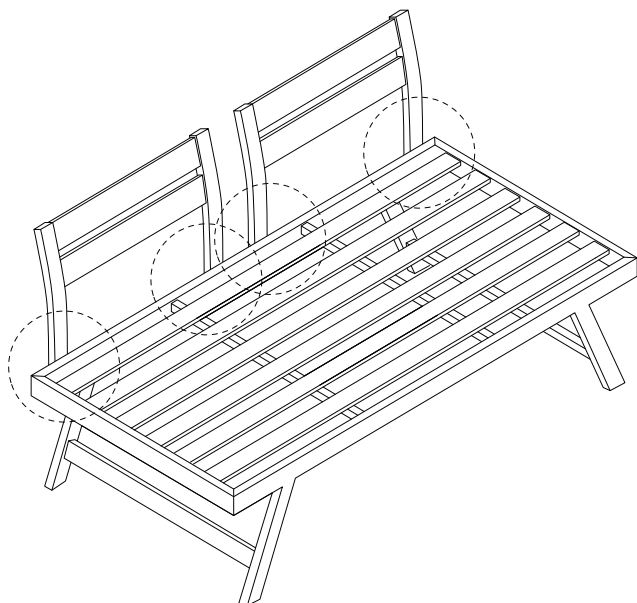
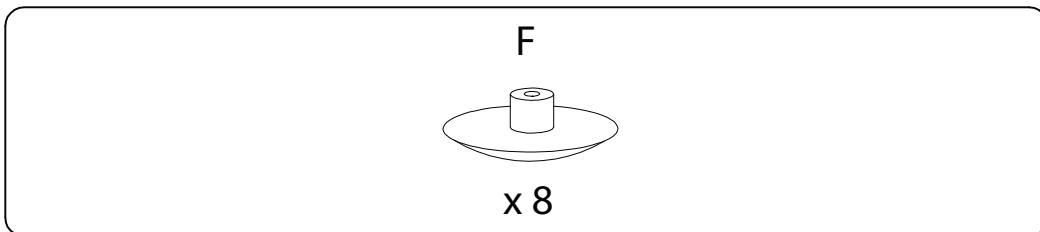


G  x 4	H  x 2	I  x 1	J  x 4	K  x 1	L  x 1
---	---	---	---	---	---

1 x 2

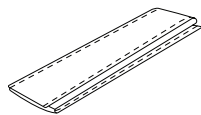


2 x 2



3

G

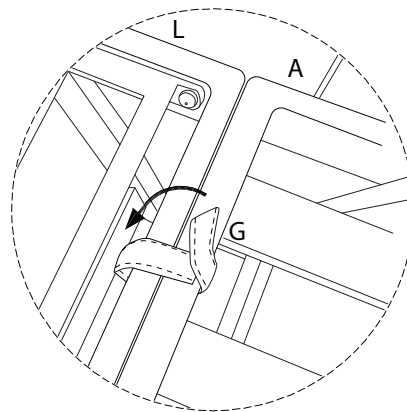
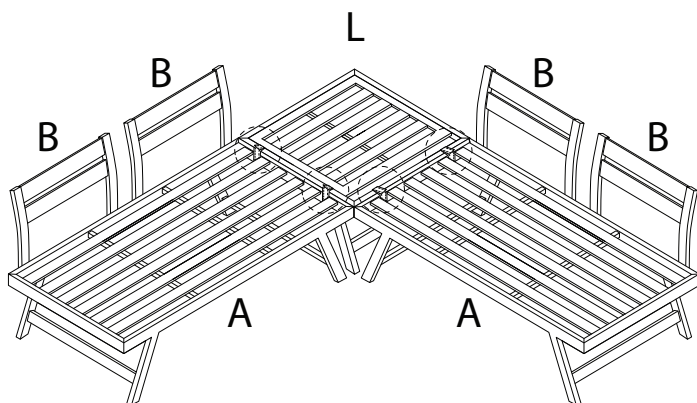


x 4

L

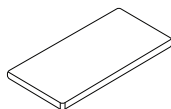


x 1



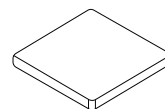
4

H

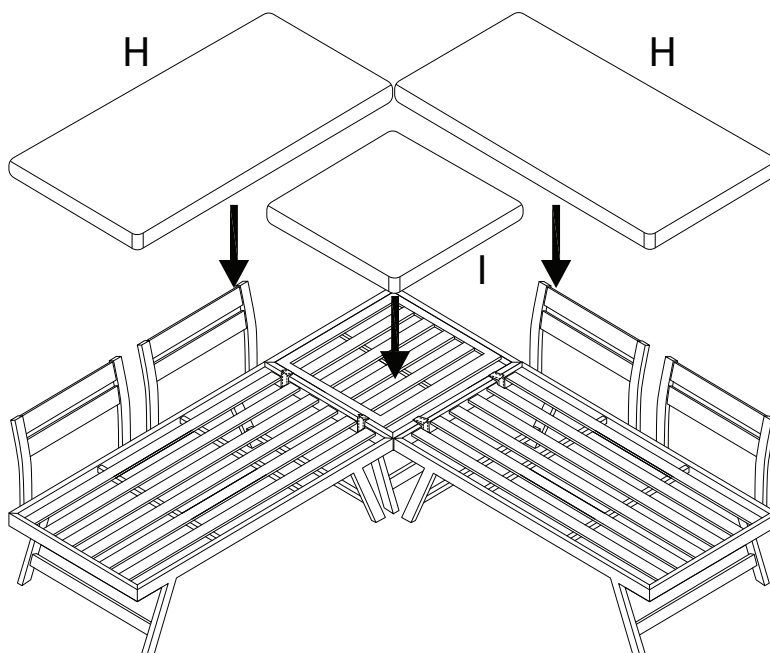


x 2

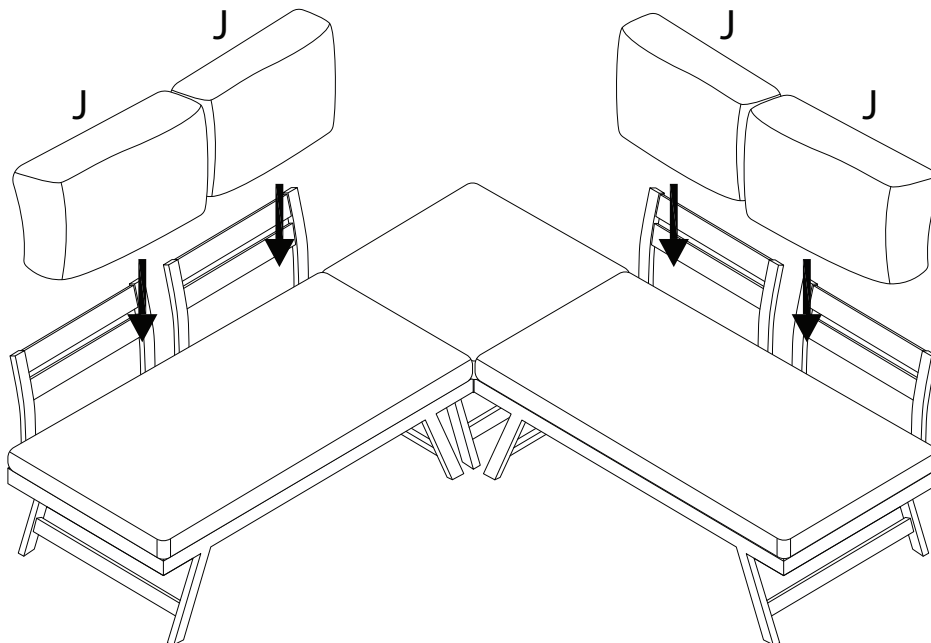
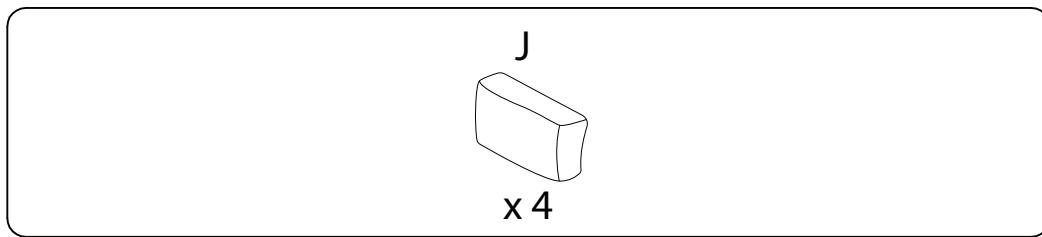
I



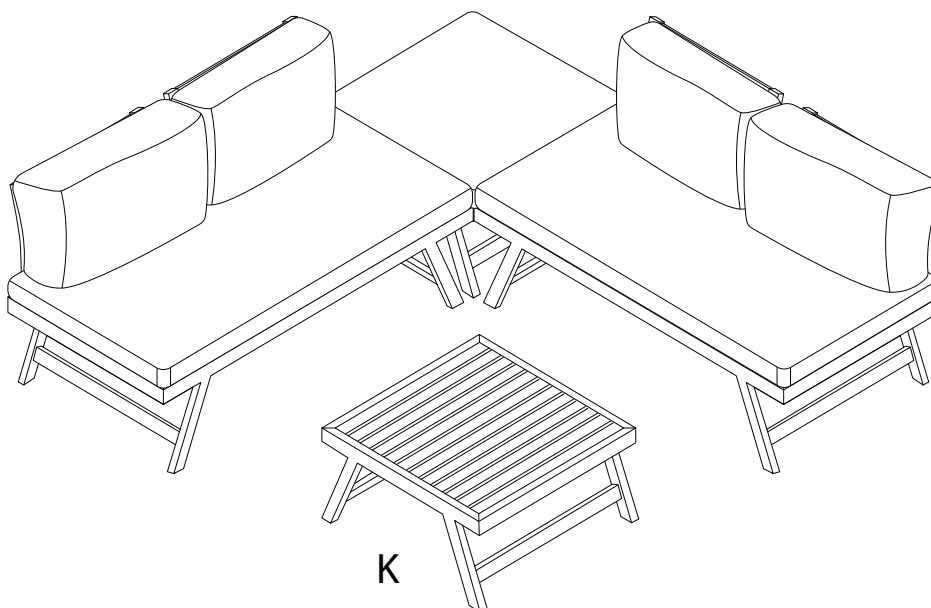
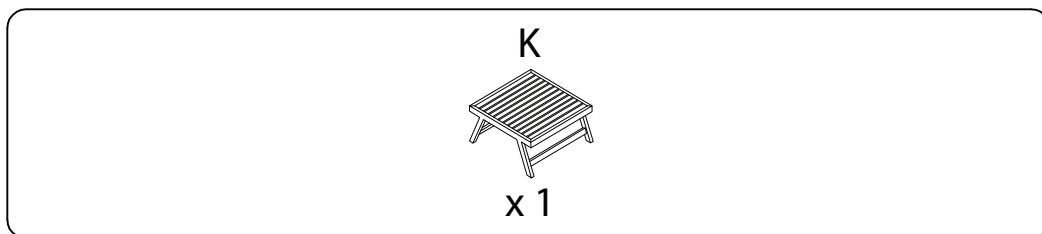
x 1



5



6



!

