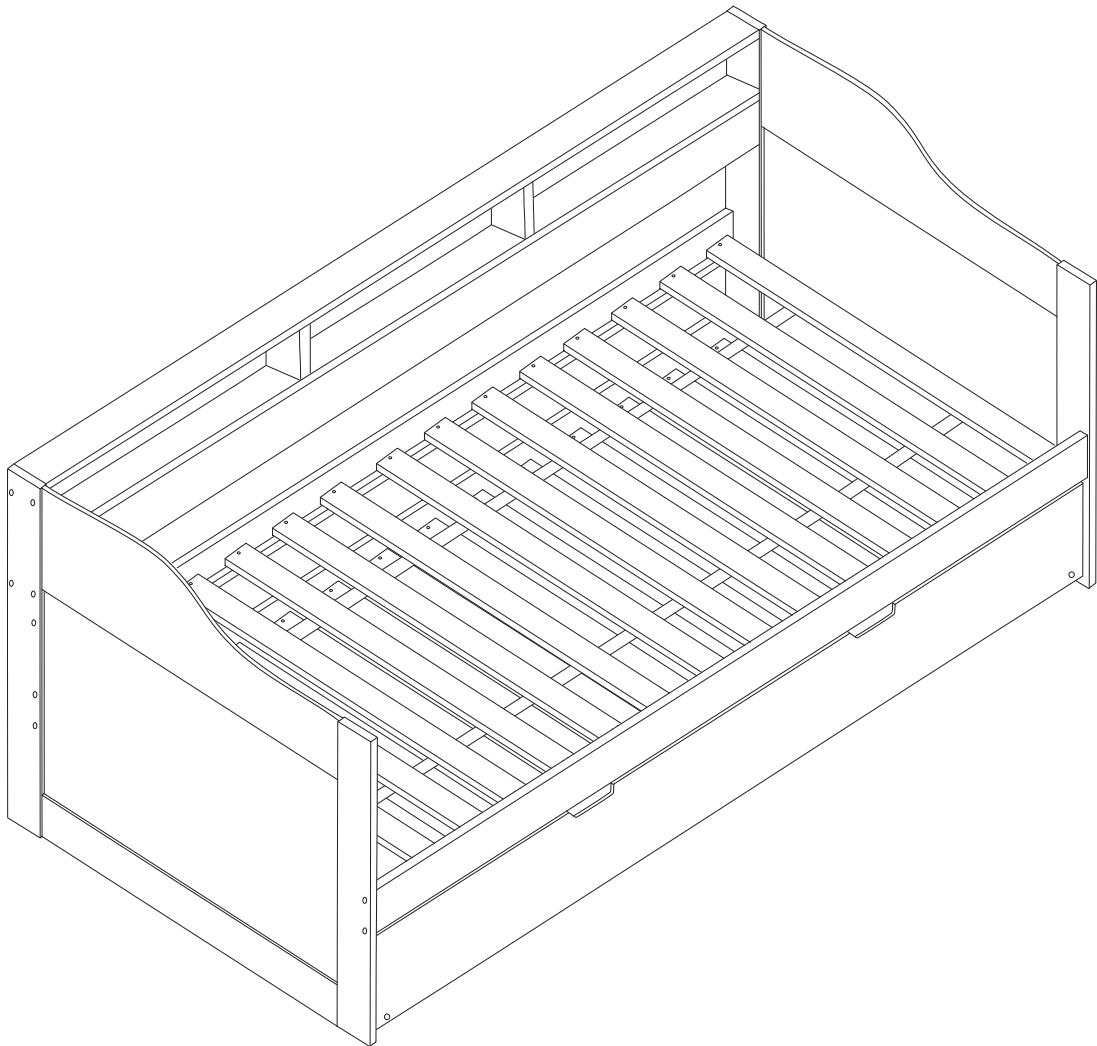
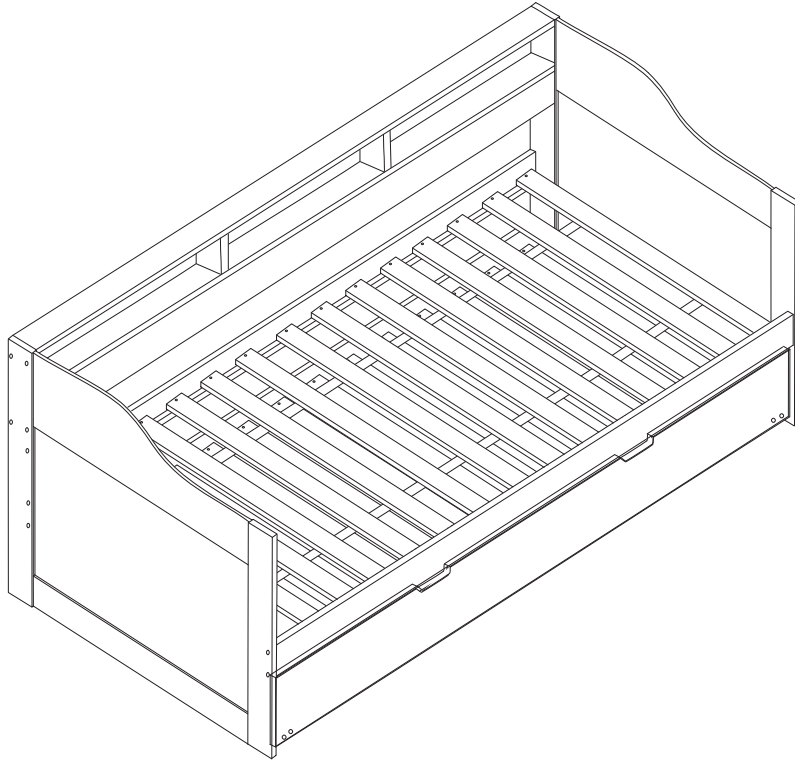


EDERN





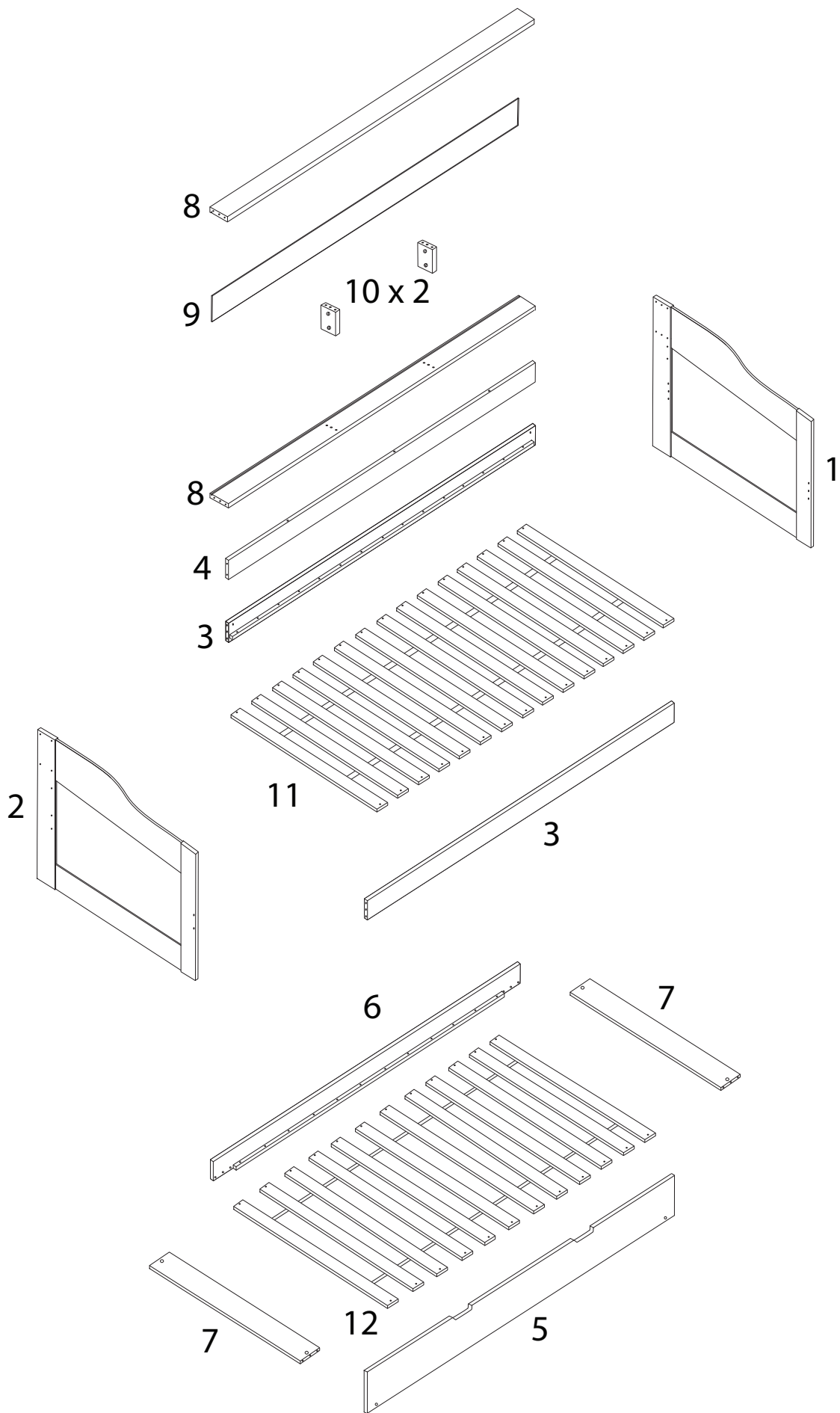
Assembly instructions for the bed frame, including tool requirements, estimated time, and personnel needed.

Tools: A circular icon contains a screwdriver and a square bit. A power drill is shown with a diagonal line through it, indicating it is not required.

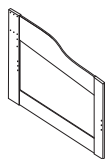
Warning: A triangle with an exclamation mark indicates a warning.

Time: A clock icon is shown with the number 60' below it, indicating an estimated assembly time of 60 minutes.

Personnel: A stick figure icon is shown with the number 2 below it, indicating that two people are required for assembly.

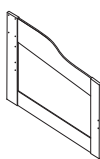


1



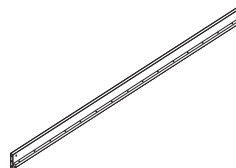
x 1

2



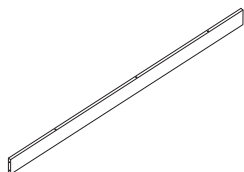
x 1

3



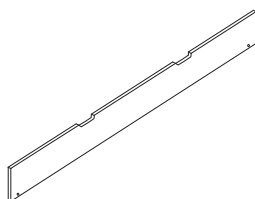
x 2

4



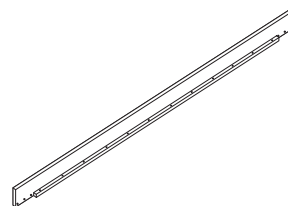
x 1

5



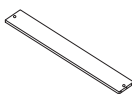
x 1

6



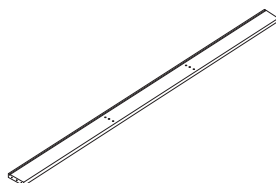
x 1

7



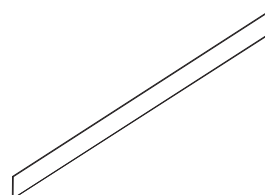
x 2

8



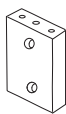
x 2

9



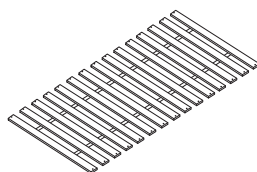
x 1

10



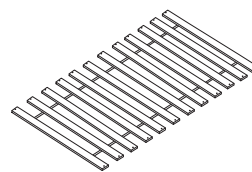
x 2

11

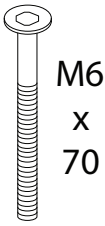
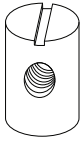
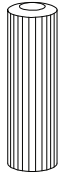
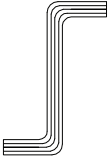
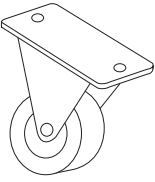
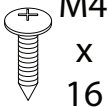
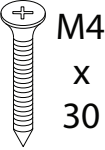

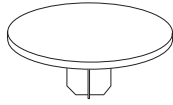
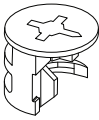
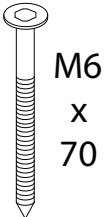
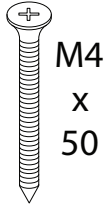


x 1

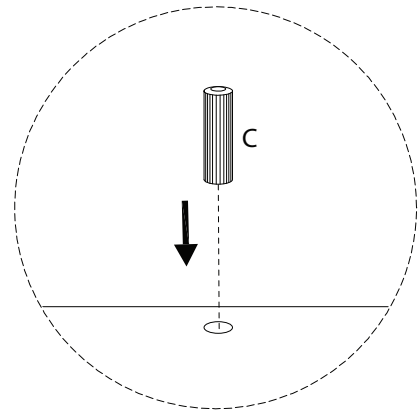
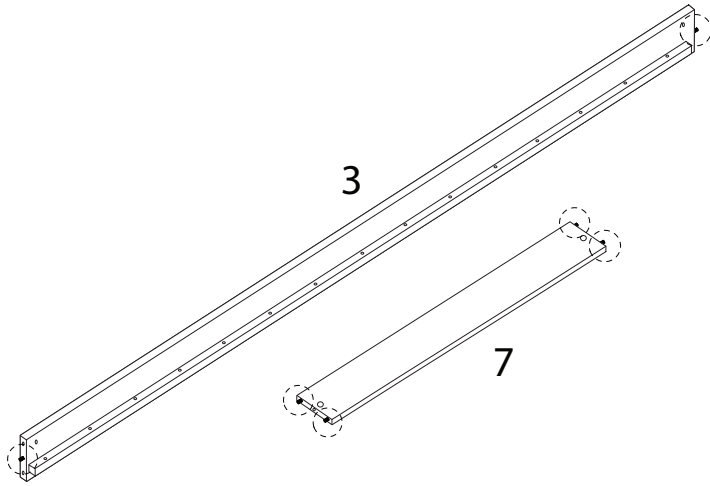
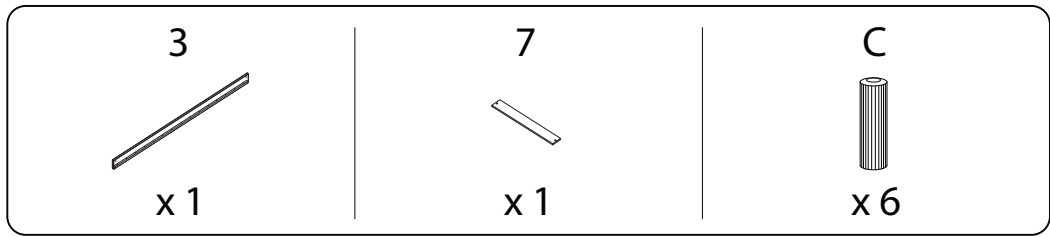
12



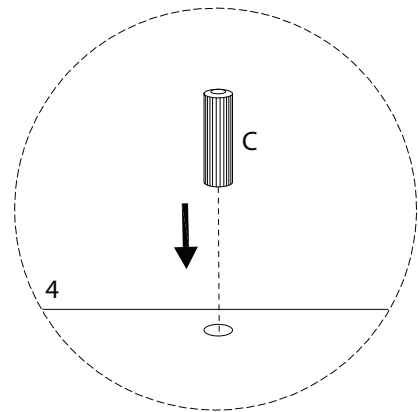
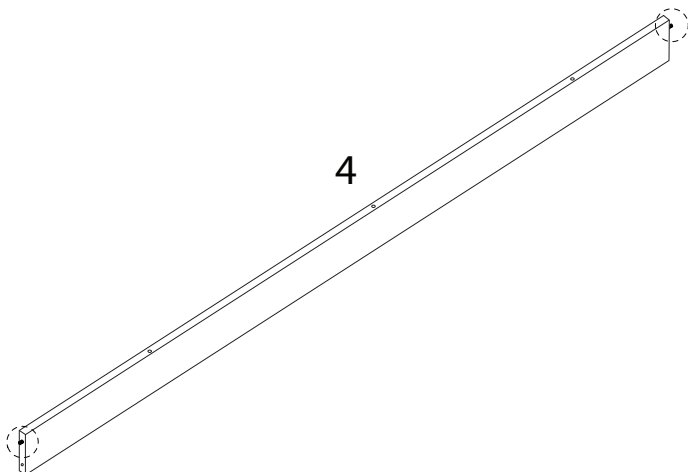
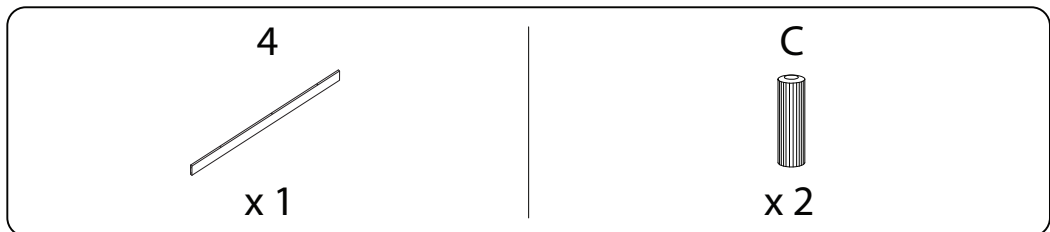
x 1

<p>A</p>  <p>M6 x 70</p> <p>x 12</p>	<p>B</p>  <p>x 12</p>	<p>C</p>  <p>x 26</p>
<p>D</p>  <p>x 1</p>	<p>E</p>  <p>x 4</p>	<p>F</p>  <p>M4 x 16</p> <p>x 8</p>
<p>G</p>  <p>M4 x 30</p> <p>x 60</p>	<p>H</p>  <p>x 4</p>	<p>I</p>  <p>x 20</p>
<p>J</p>  <p>x 4</p>	<p>K</p>  <p>M6 x 70</p> <p>x 10</p>	<p>L</p>  <p>M4 x 50</p> <p>x 3</p>

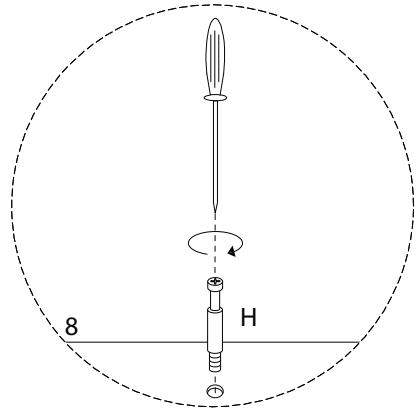
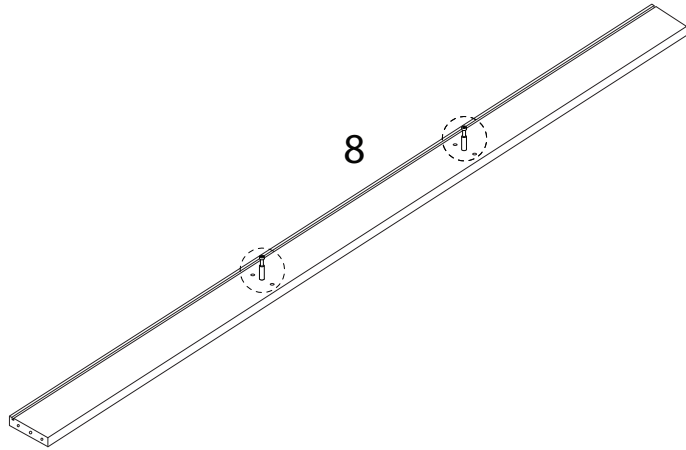
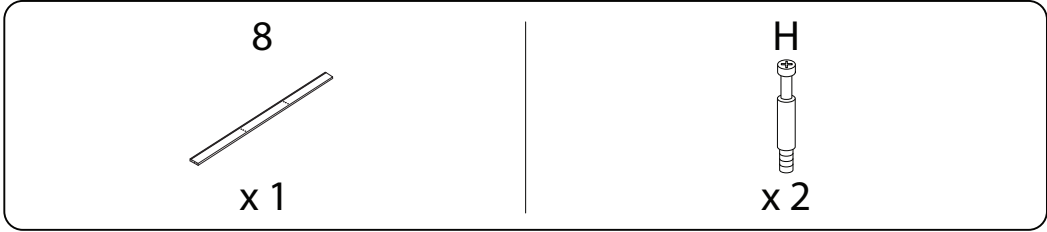
1 x 2



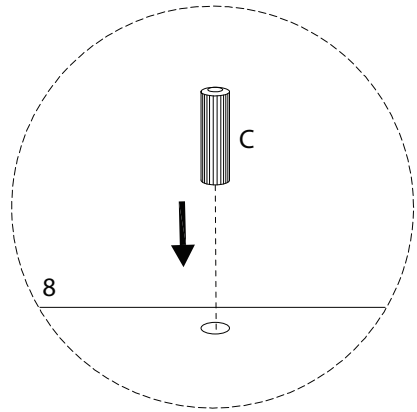
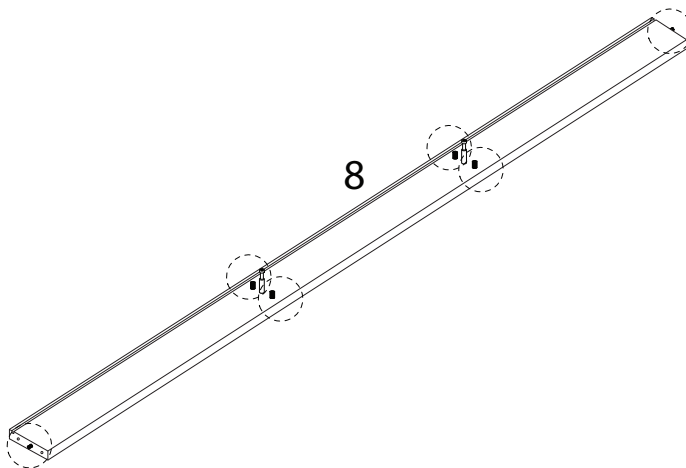
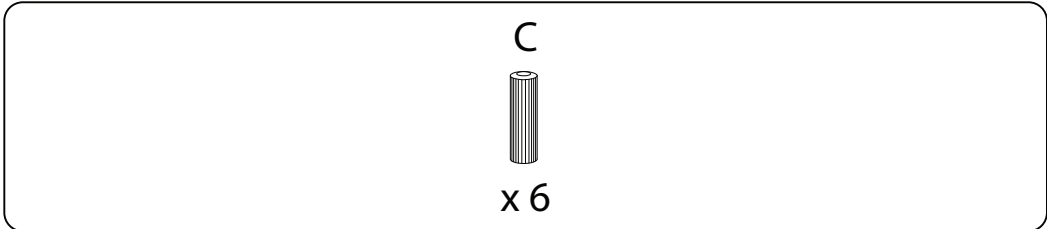
2



3 x 2



4 x 2

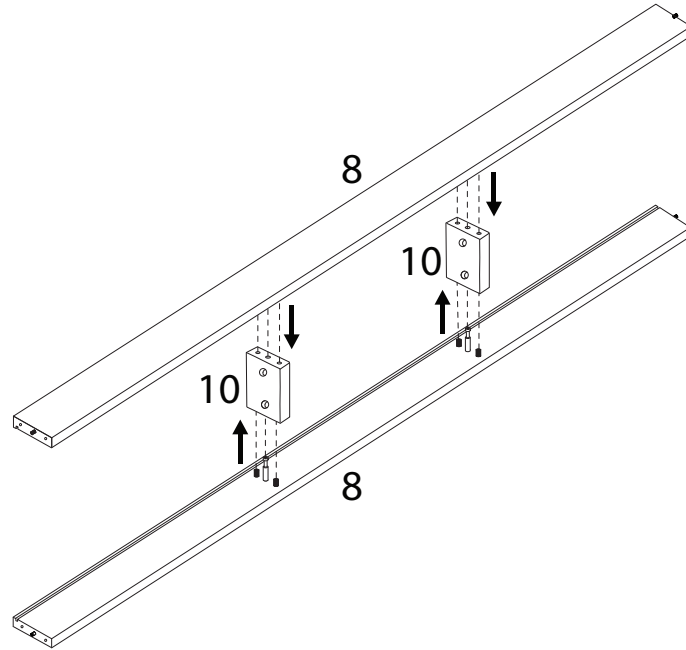


5

10



x 2

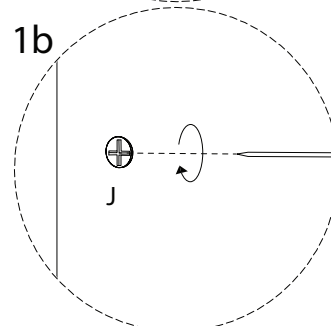
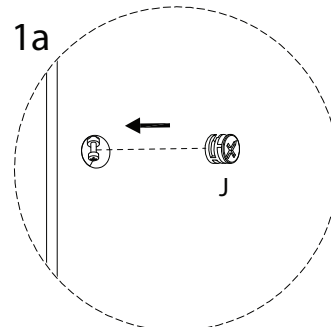
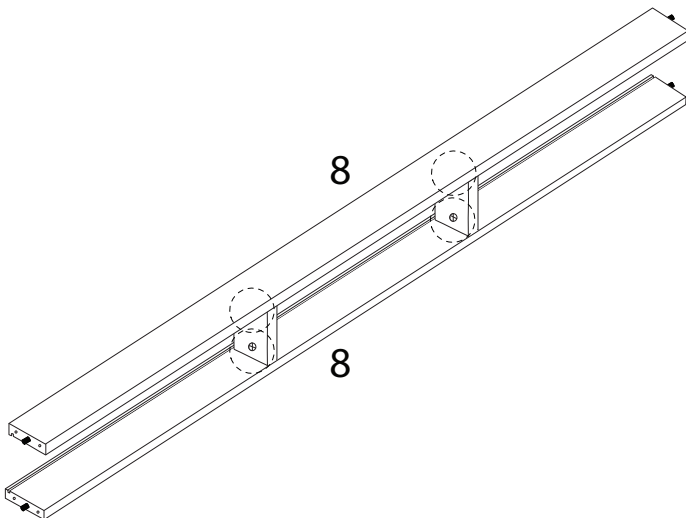


6

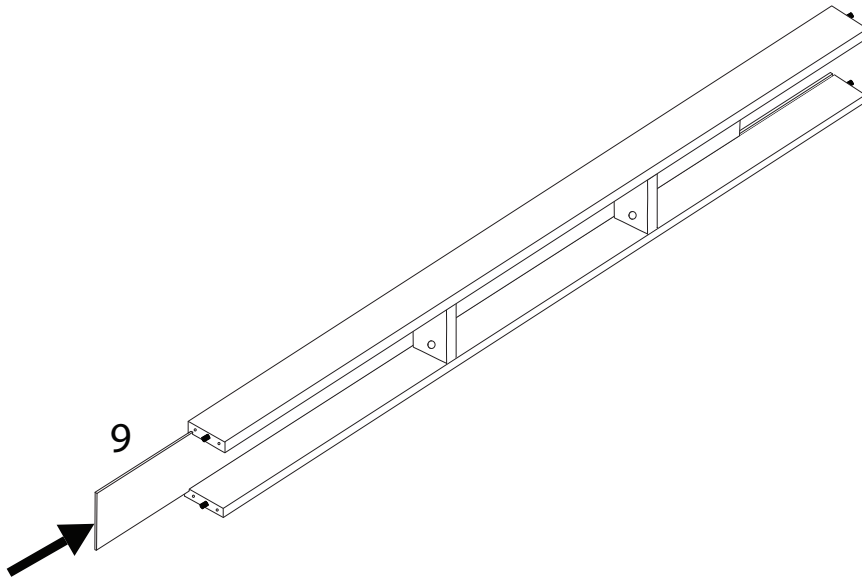
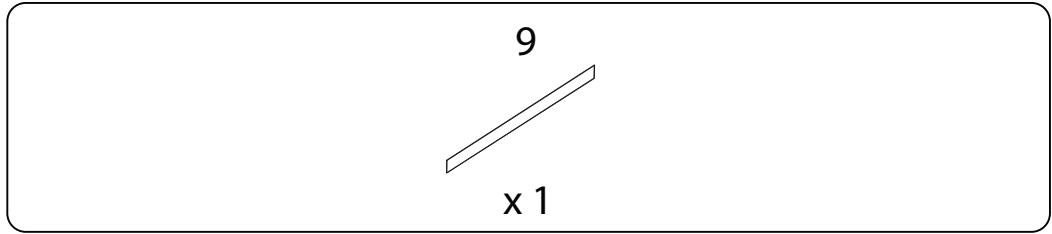
J



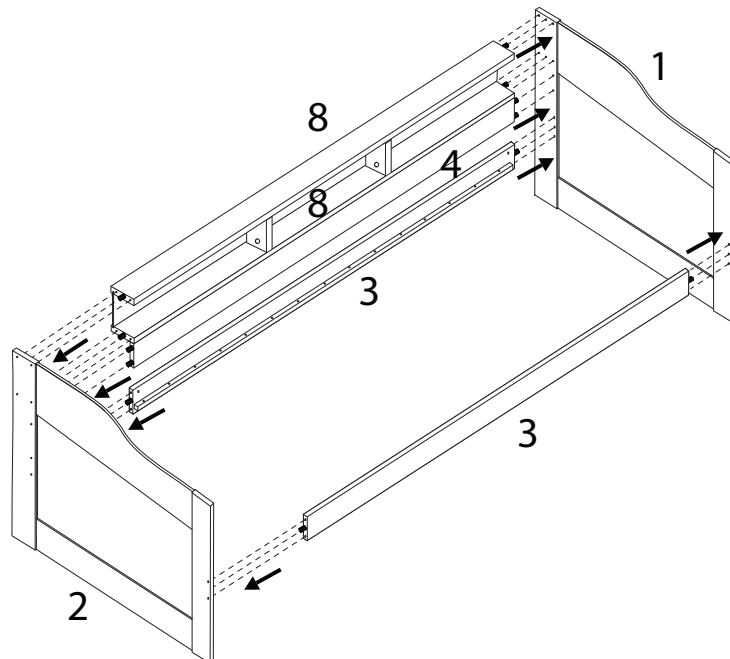
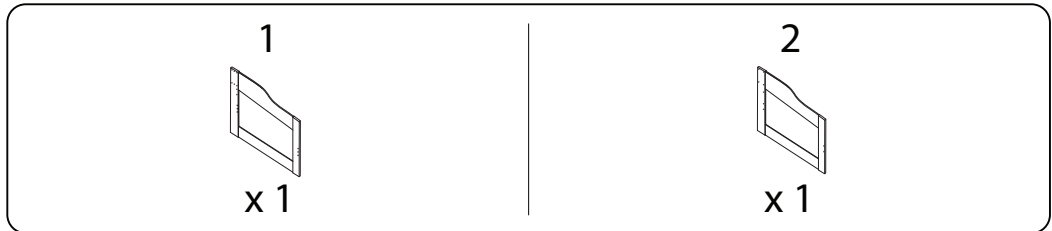
x 4



7



8

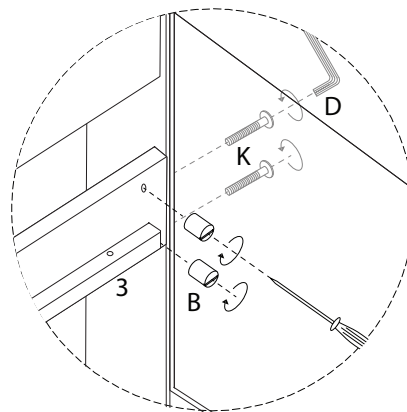
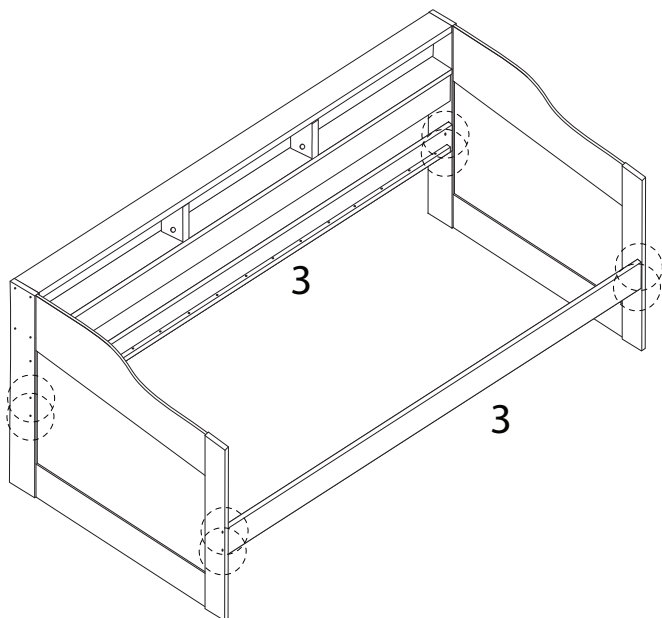


9

A
M6
x
70
x 8

B
x 8

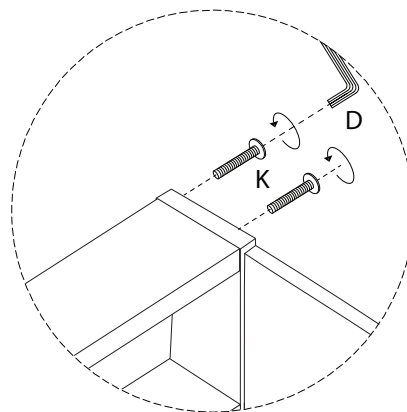
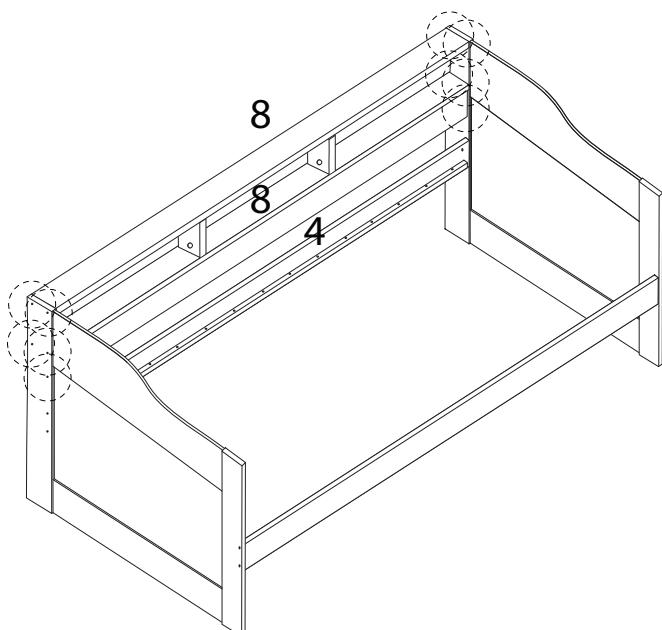
D
x 1



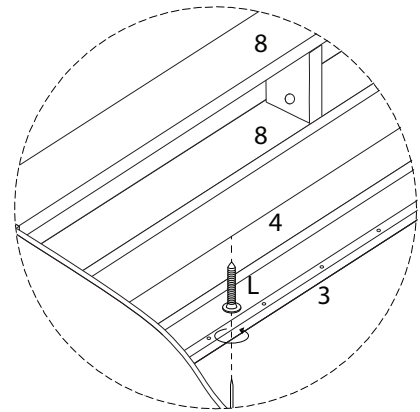
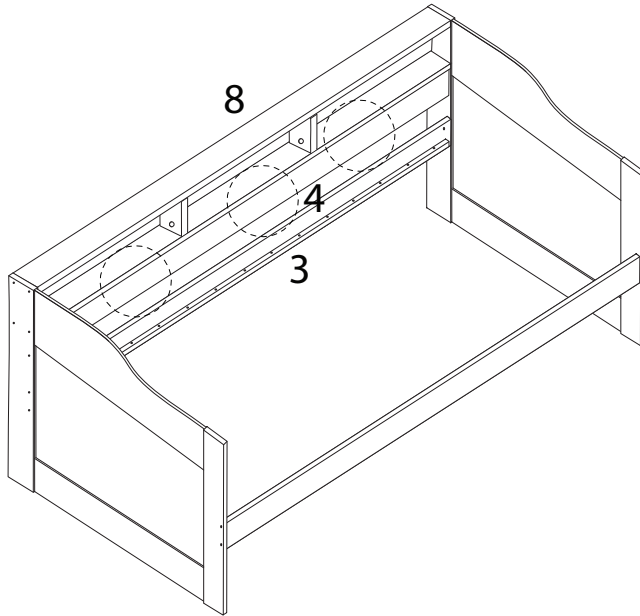
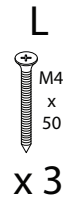
10

K
M6
x
70
x 10

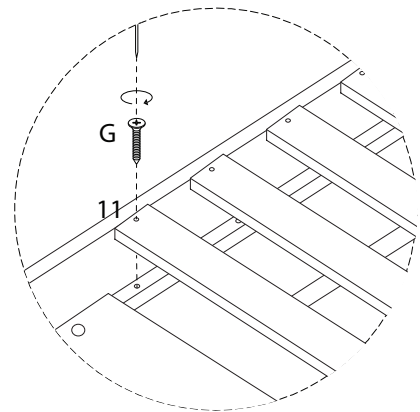
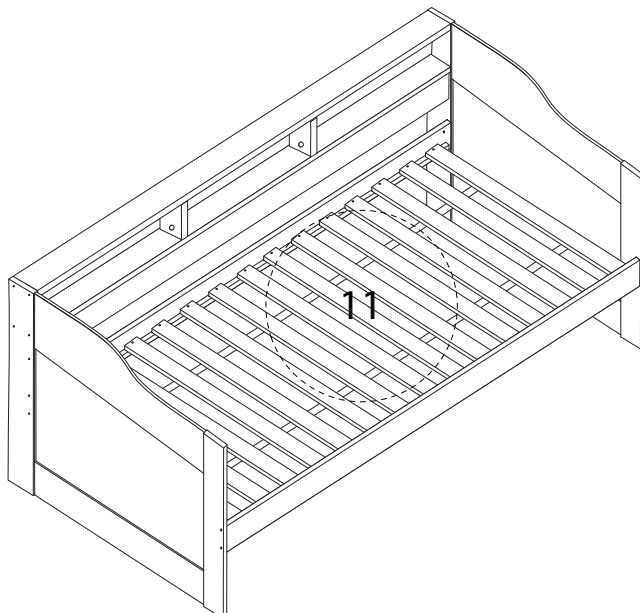
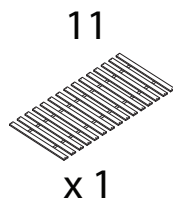
D
x 1



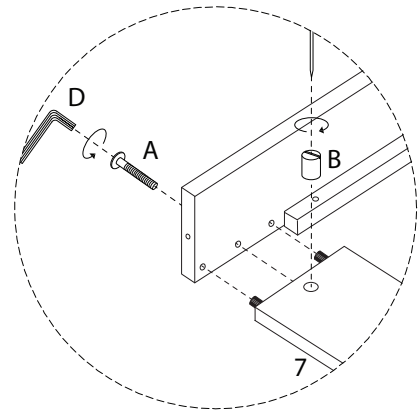
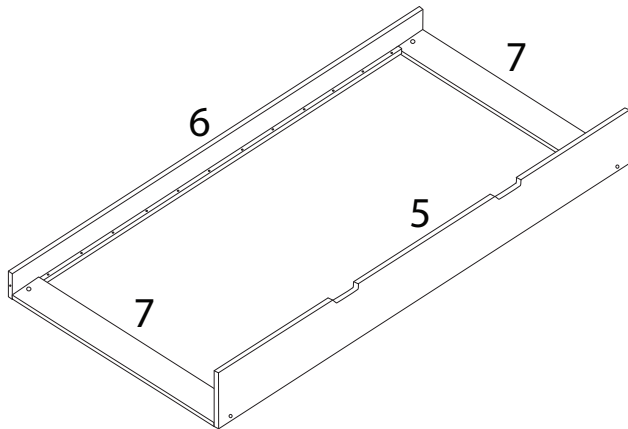
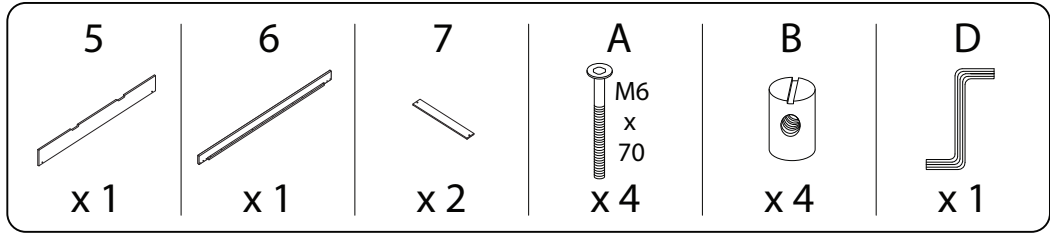
11



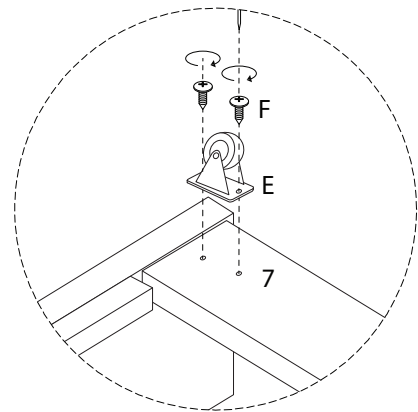
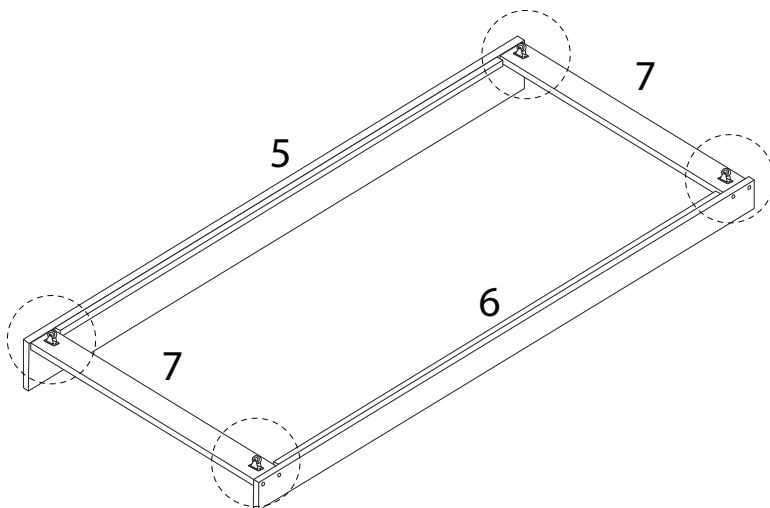
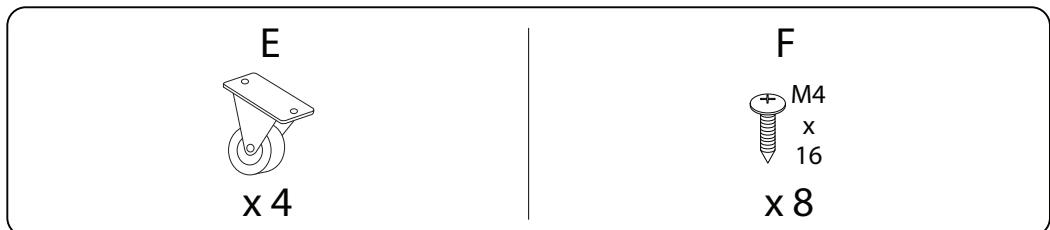
12



13

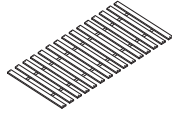


14



15

12

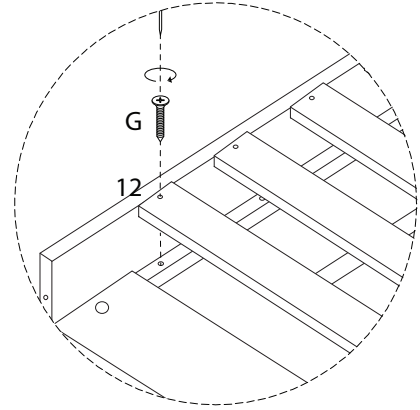
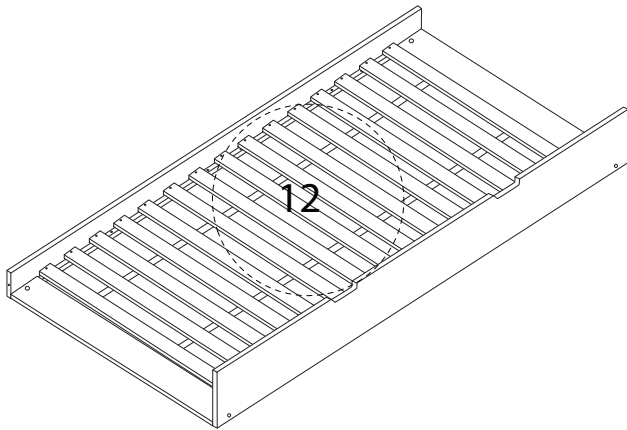


x 1

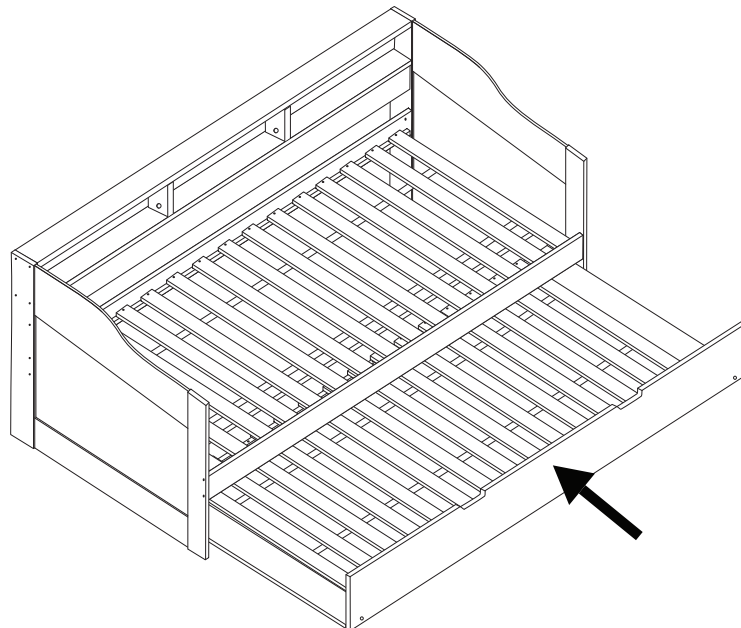
G



x 30



16



17

