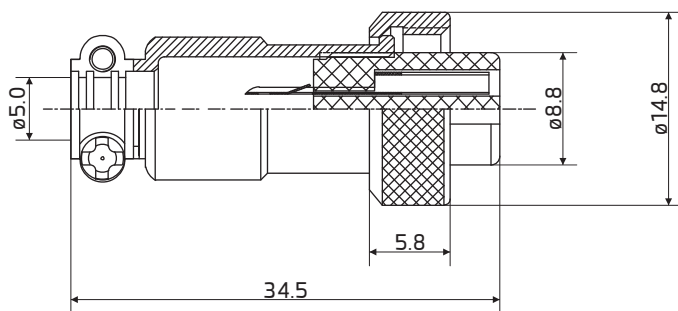


# DATASHEET

## Circular Connector, Wire to Panel, Straight Female Plug and Panel Mount Male Socket 6 Contacts / M12

Version 10/23

Item no.: 2705563



### Specification

Number of Contacts: 6  
Mating thread type: M12

### Material

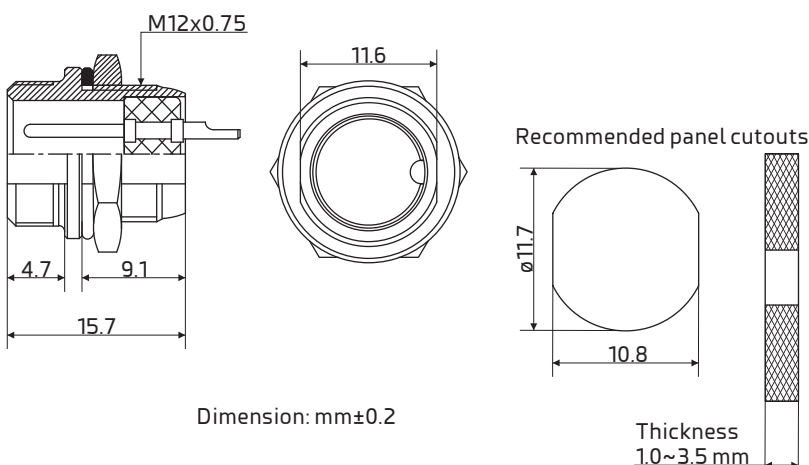
Shell: Nickel plated Zinc Alloy  
Insulation: Black Bakelite  
Contact: Silver plated Copper

### Electrical

Operating voltage: 48V  
Rated current: 1A  
Insulation resistance: 100 MΩ min.  
Contact resistance: 10 mΩ max.

### Environment

Operation temperature: -20 to 85°C  
Protect class: IP55  
Termination: Solder  
Suit Cable size: O.D. ø5mm max.  
Wire guide: AWG 22 - 20  
Conductor cross-section: 0.34 - 0.5mm<sup>2</sup>



Dimension: mm±0.2

Thickness  
1.0~3.5 mm