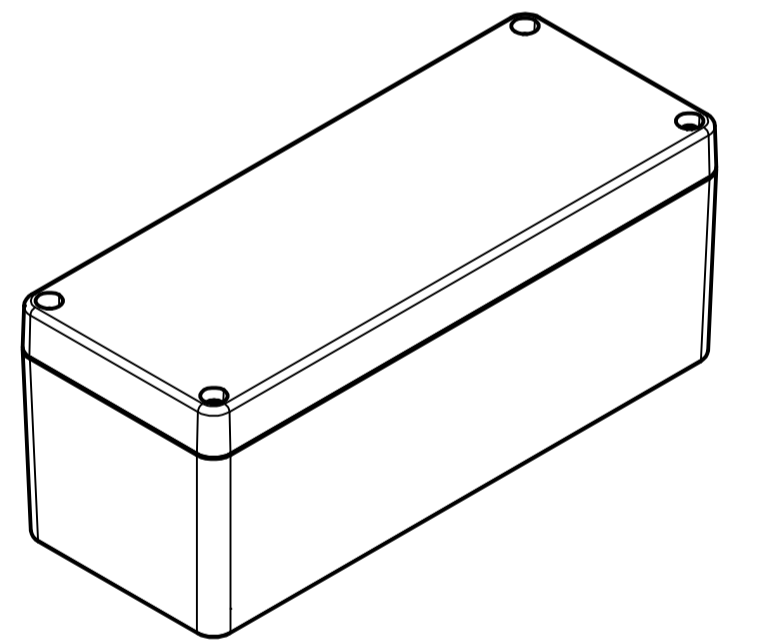


ISO (1 : 2)



| | | |
|-----------------------------------------------------------------------------|-----------------|------------------------------|
| Maßstab/ Scale: 1:1 (1:2) | | |
| Zeichnungs-Nr. / Drawing-No.: 1K 54 75.022.01 | | |
| Artikel / Article: EUROMAS XM/XT 190808 Katalogzg./Catalogue draw. | | |
| A.Nr./ Art.No. | Datum/ Date: | A Phoenix Mecano Company |
| DISK: | 2504617.idw | |
| Datum/Date: 03.05.2022 KH | | |