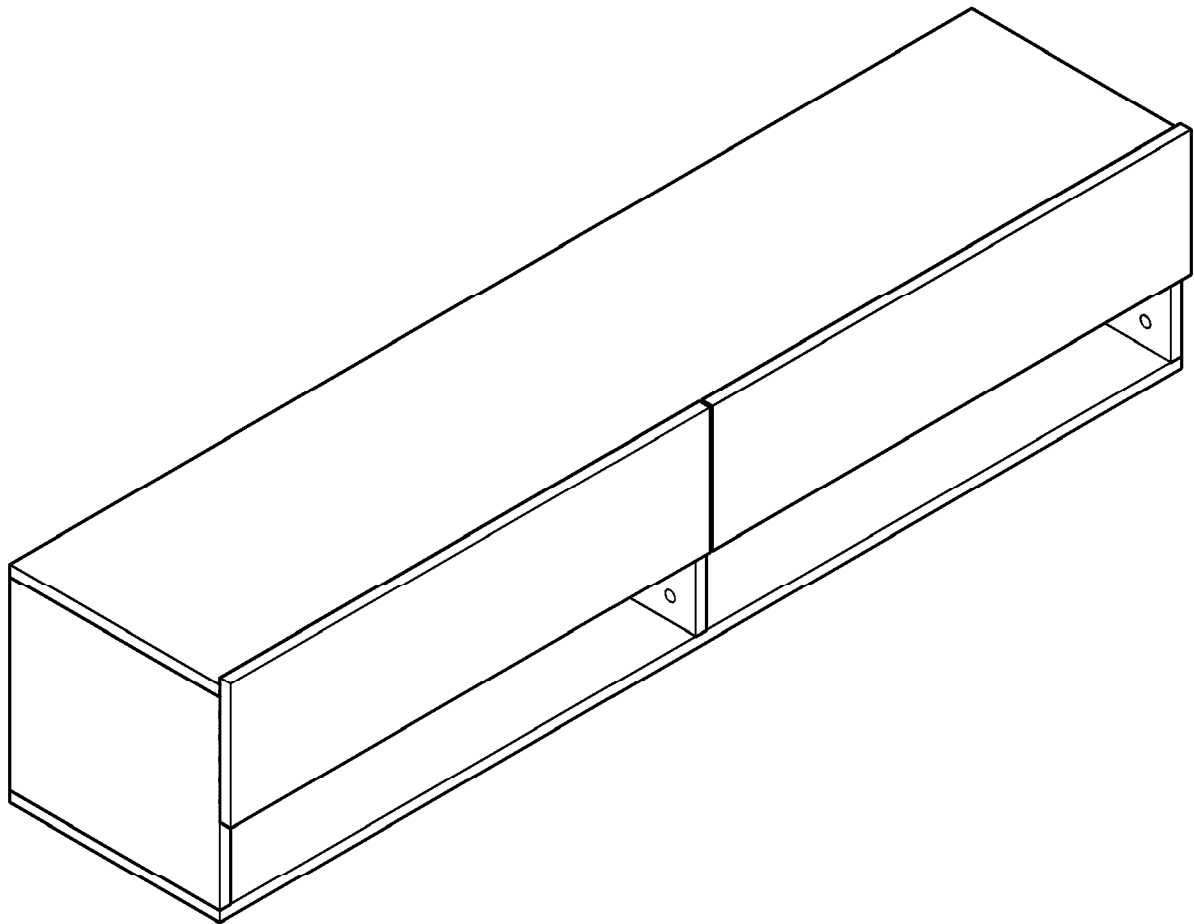


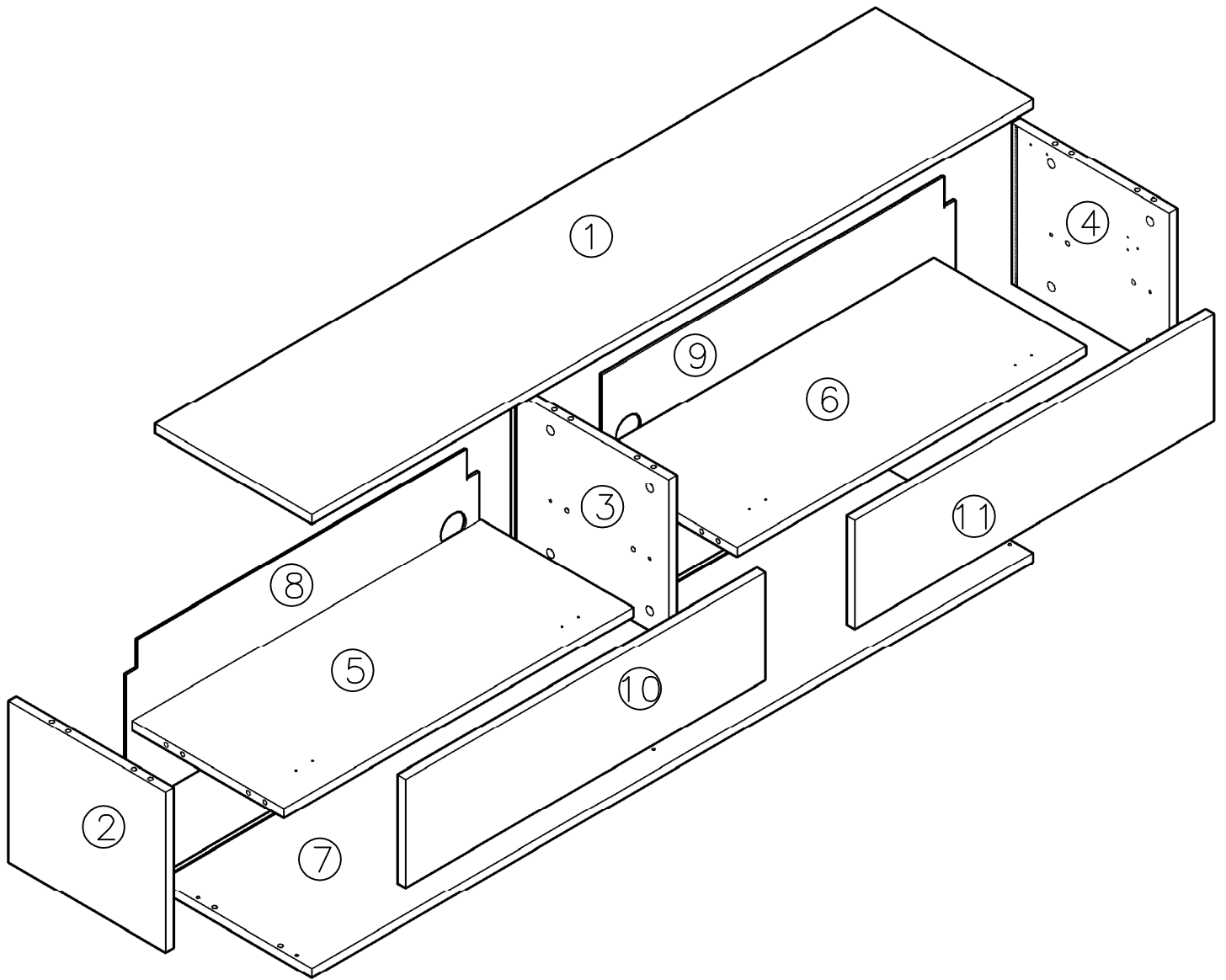
INcgc059_GL

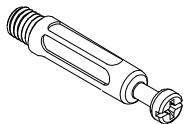
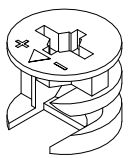
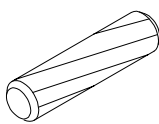

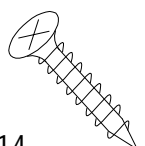
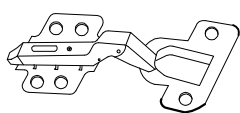
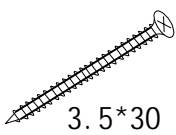
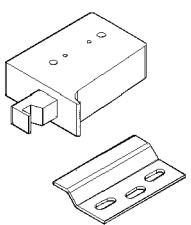
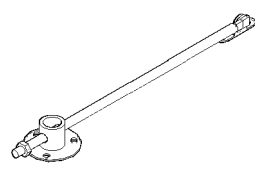
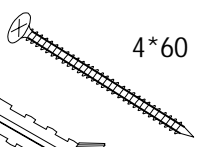
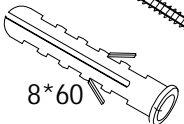
833-946



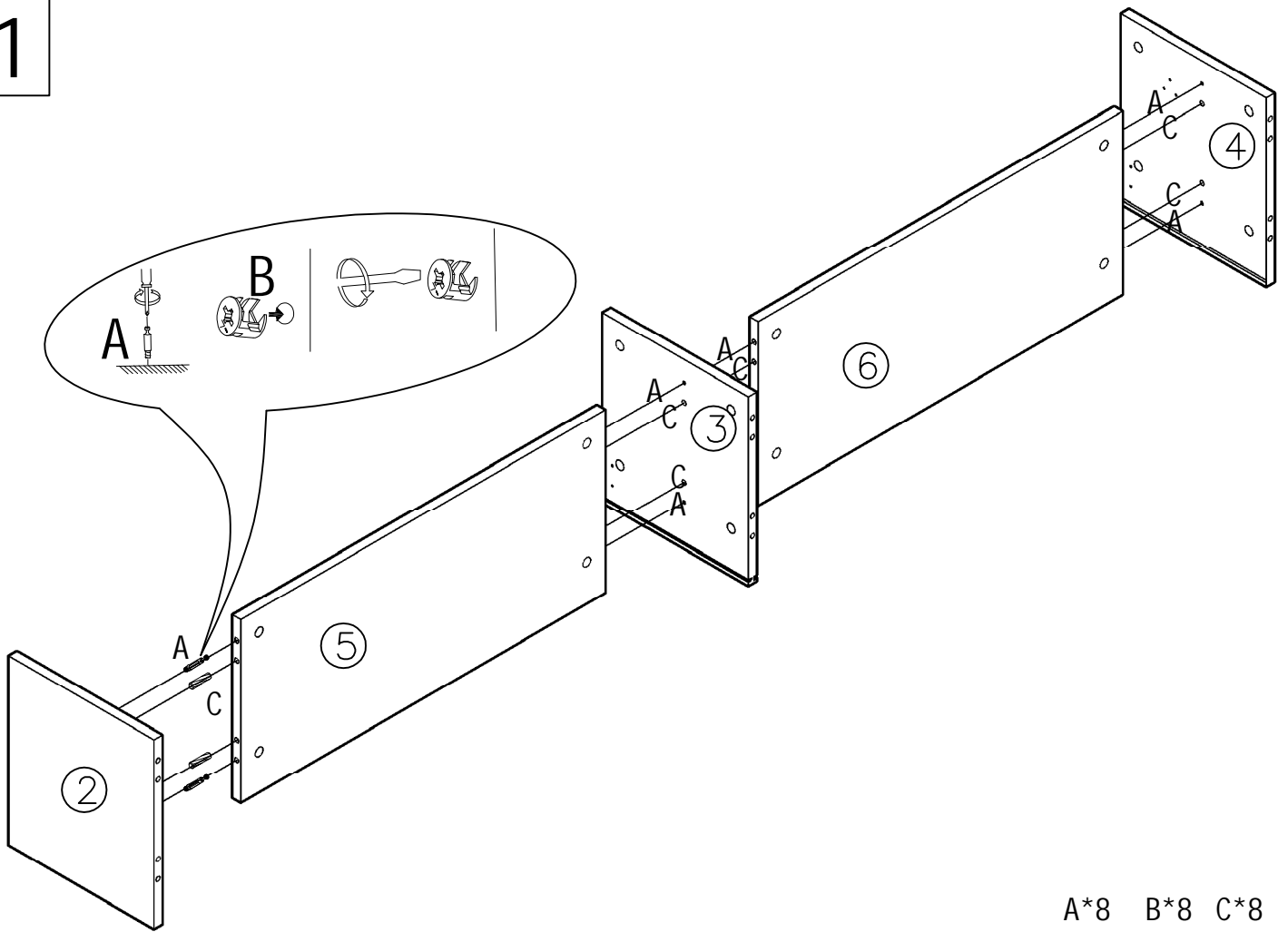
Please read these instructions and warranty information carefully before use and keep them properly for future reference.

Parts and Accesorriies



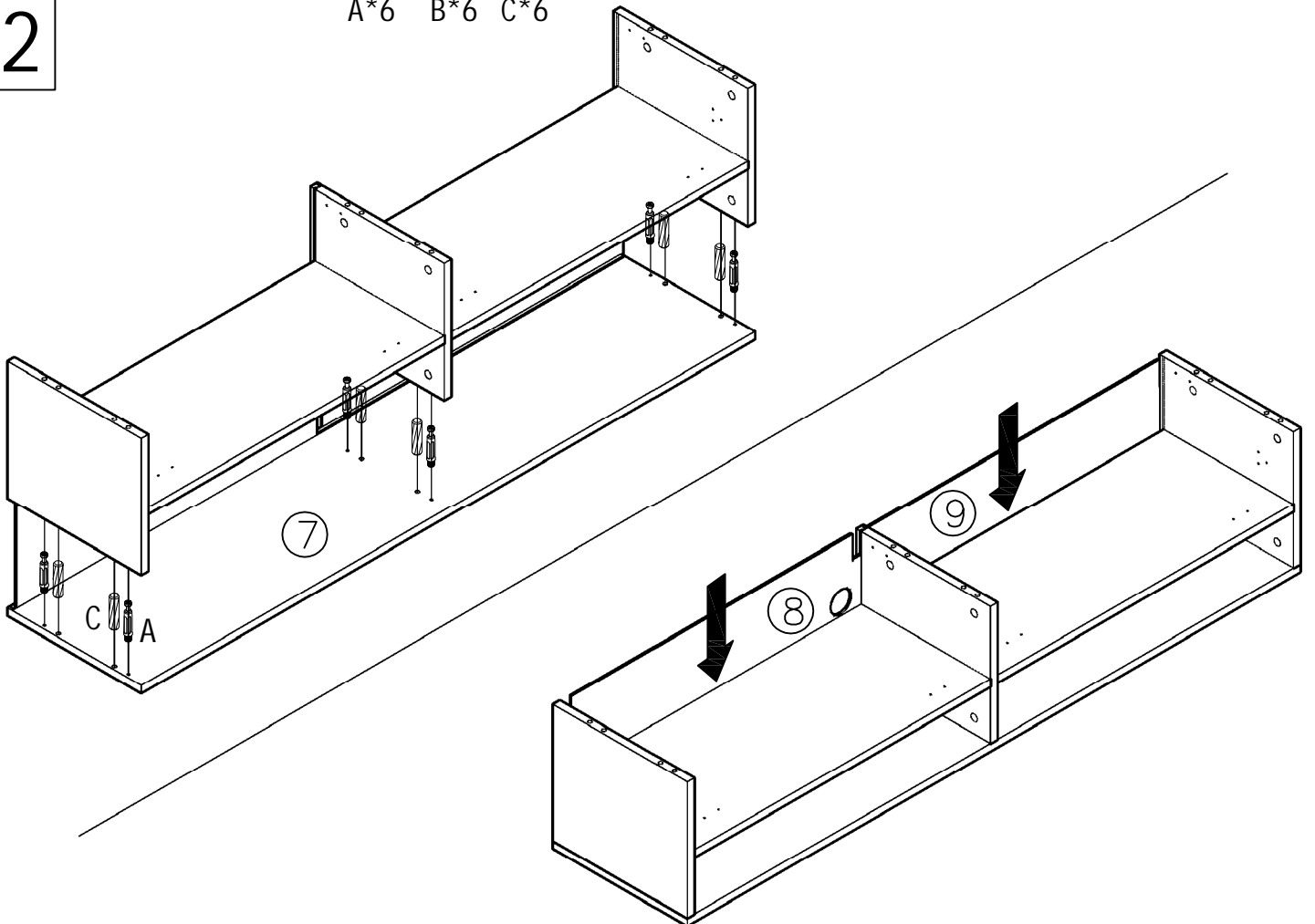
A 20pcs 	B 20pcs 	C 20pcs 	D 20pcs 	E 34pcs  4*14
F 4pcs 	G 6pcs  3.5*30	H 3pcs 	I 2pcs 	J 6pcs  4*60  8*60

1



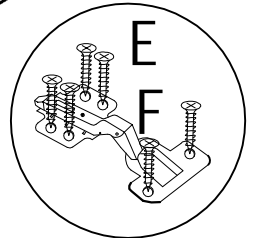
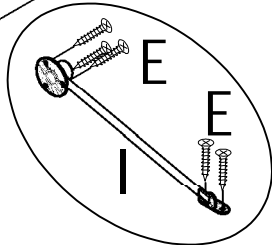
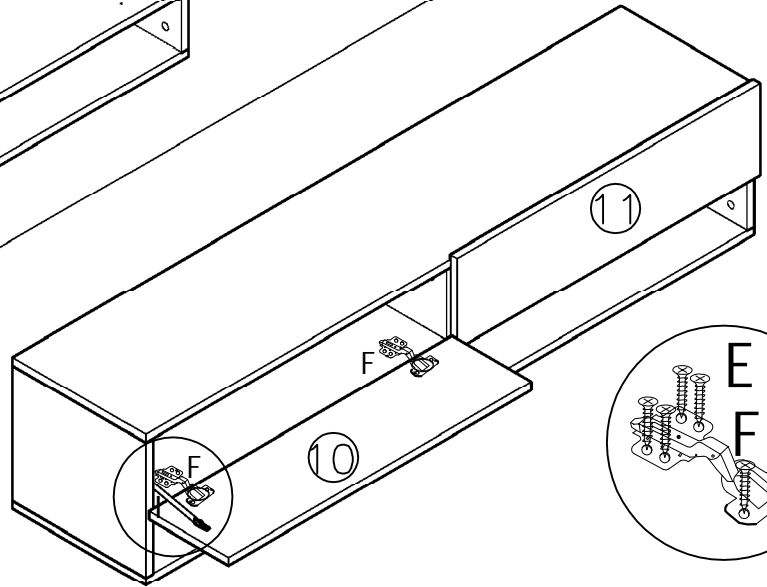
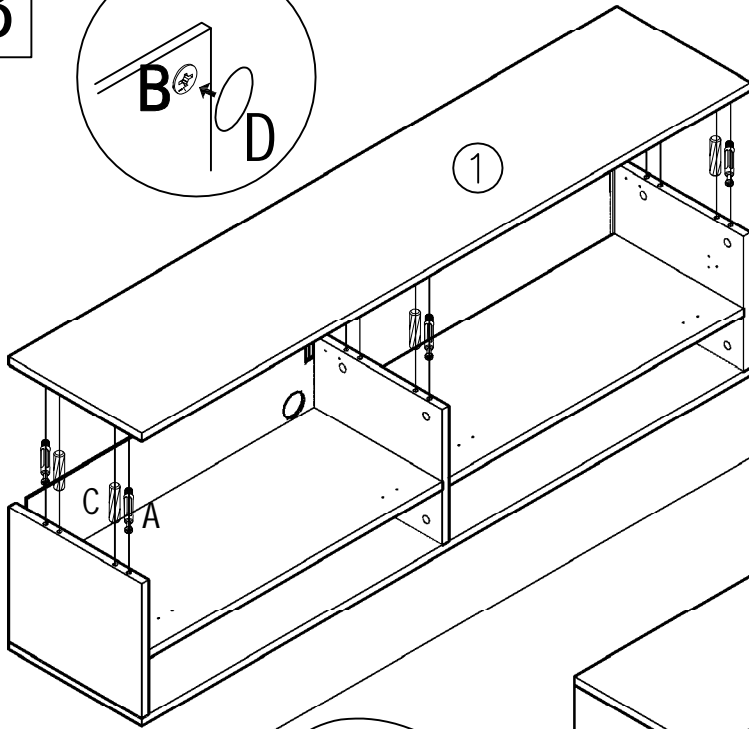
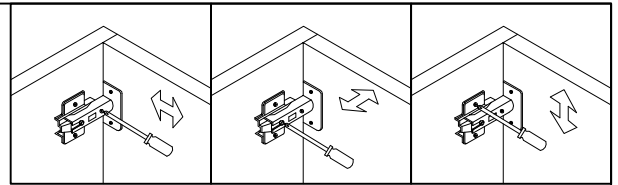
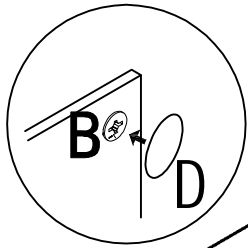
2

A*6 B*6 C*6



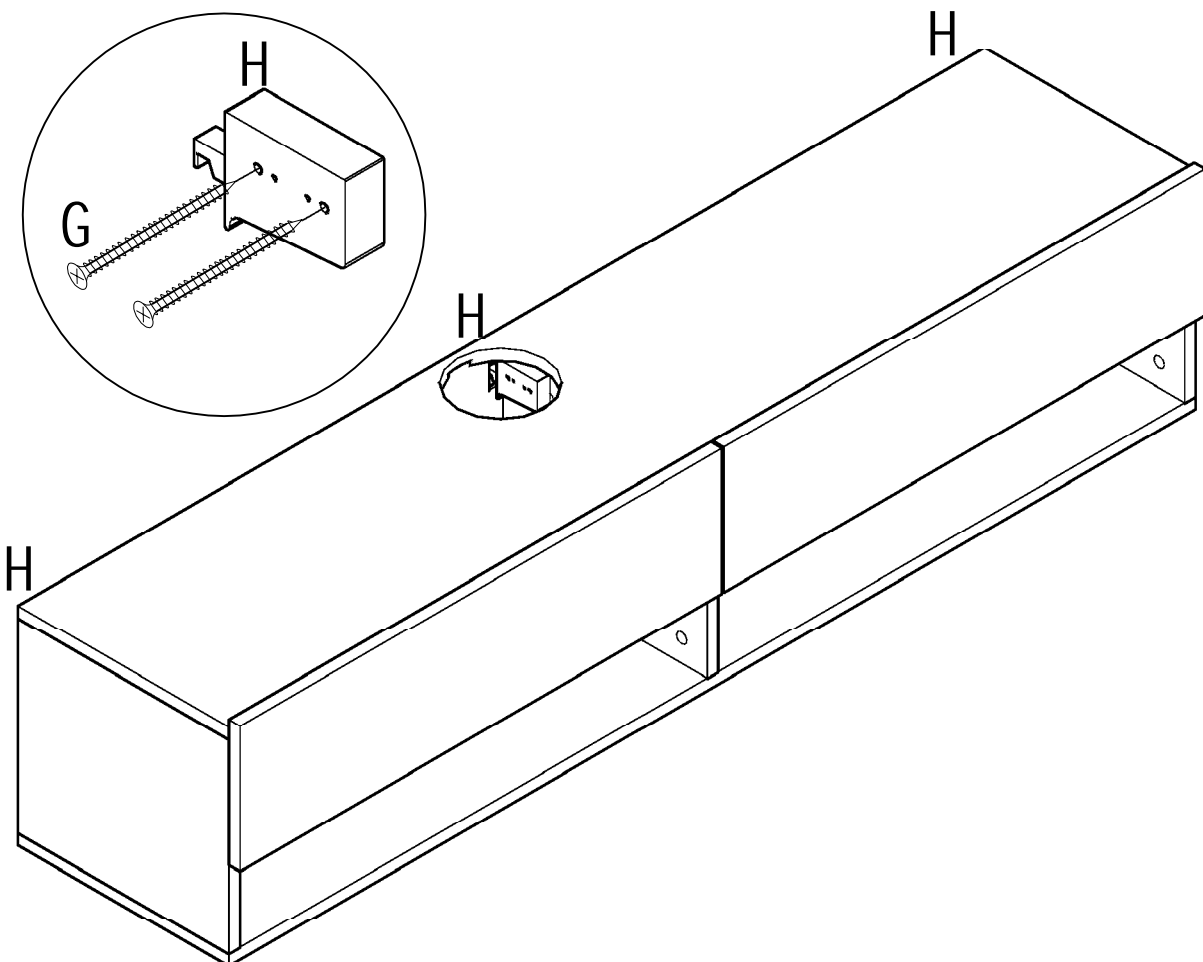
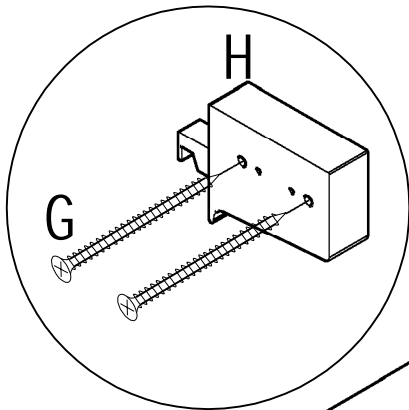
3

A*6 B*6 C*6 D*20



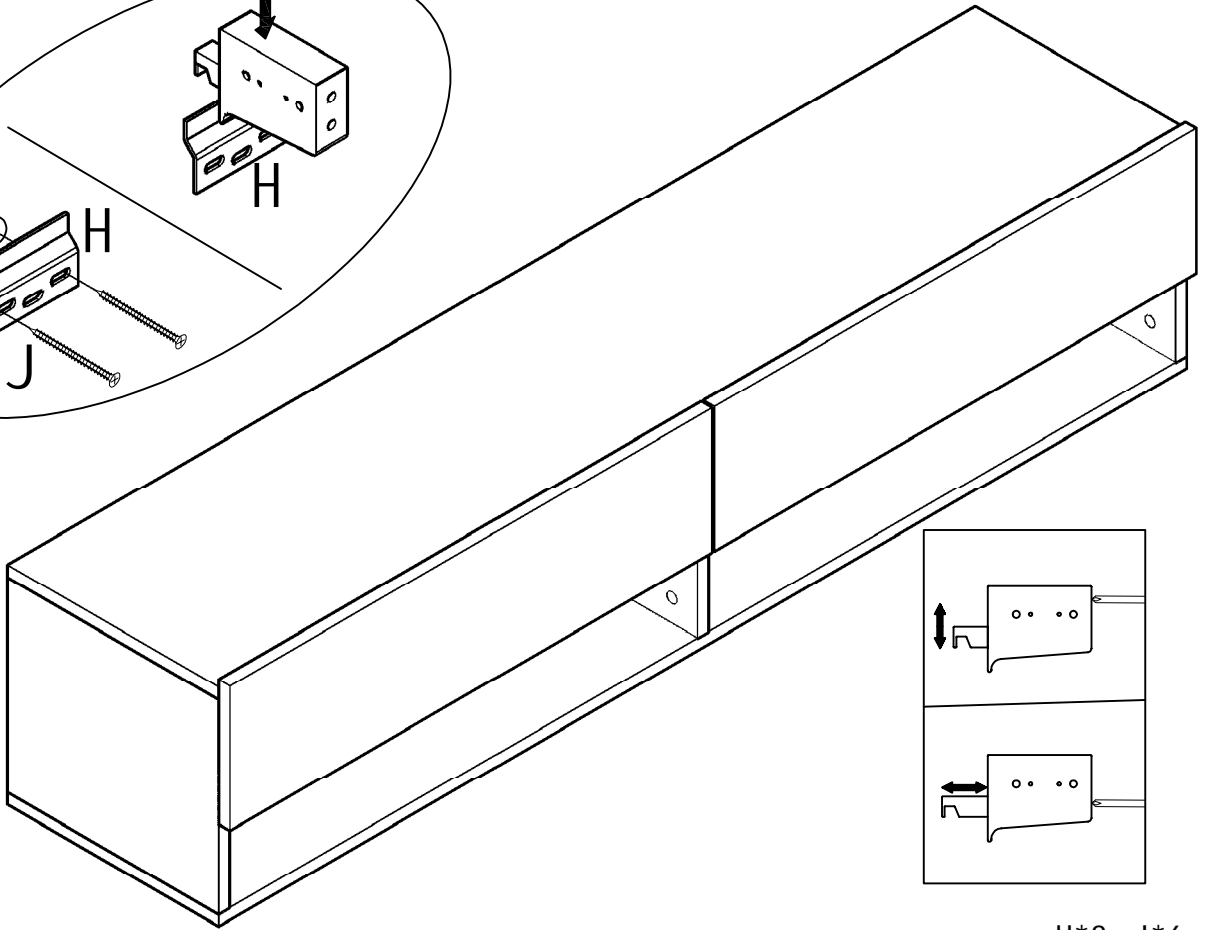
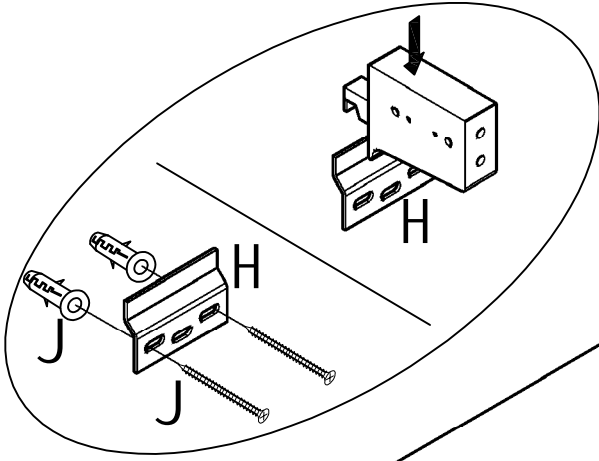
E*34 F*4 I*2

4



G*6 H*3

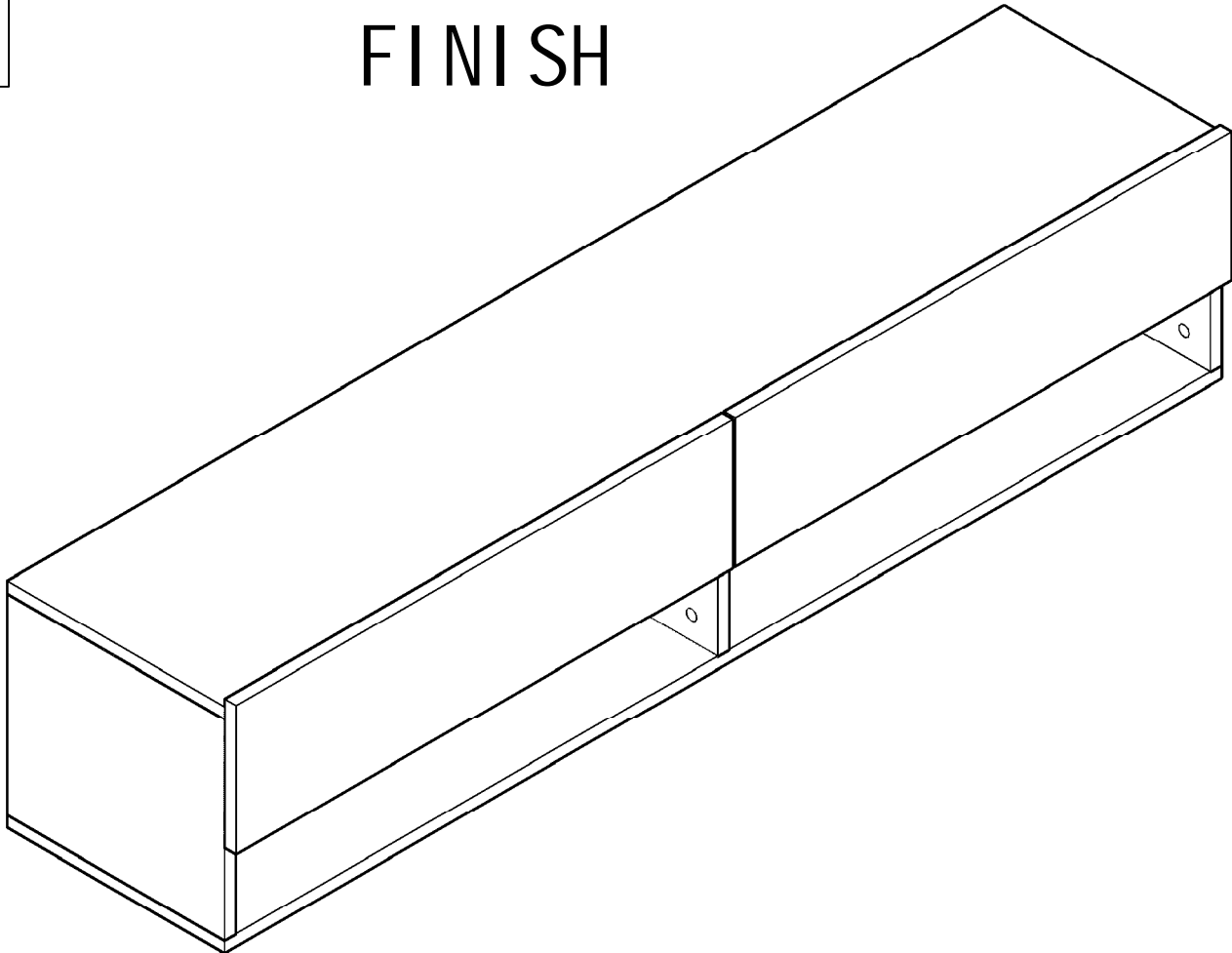
5



H*3 J*6

6

FINISH



US



001-877-644-9366
customerservice@aosom.com

CA



001-855-537-6088
customerservice@aosom.ca

UK



0044-800-240-4004
enquiries@mhstar.co.uk

DE



0049-(0)40-88307530
service@aosom.de

FR



0033-1-84166106
contact@aosom.fr

ES



0034-931294512
atencioncliente@aosom.es

IT



0039-0249471447
clienti@aosom.it