

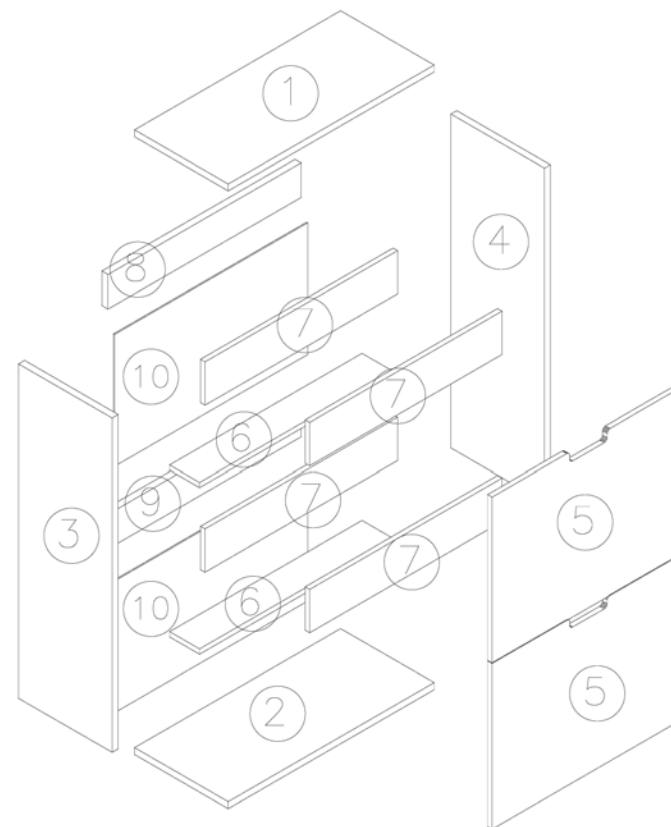
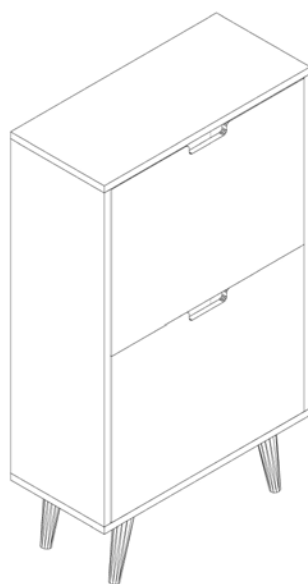
# frankystar

**ENG:** SHOES CABINET

**ITA:** SCARPIERA

**ESP:** GABINETE DE ZAPATOS

**FRA:** ARMOIRE A' CHAUSSURES

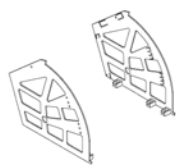


A



16PCS

B



2PCS

C

- C1  x4
- C2  x4
- C3  x4

4PCS

D

3.5\*14



64PCS

E



2PCS

F



4PCS

G



4PCS

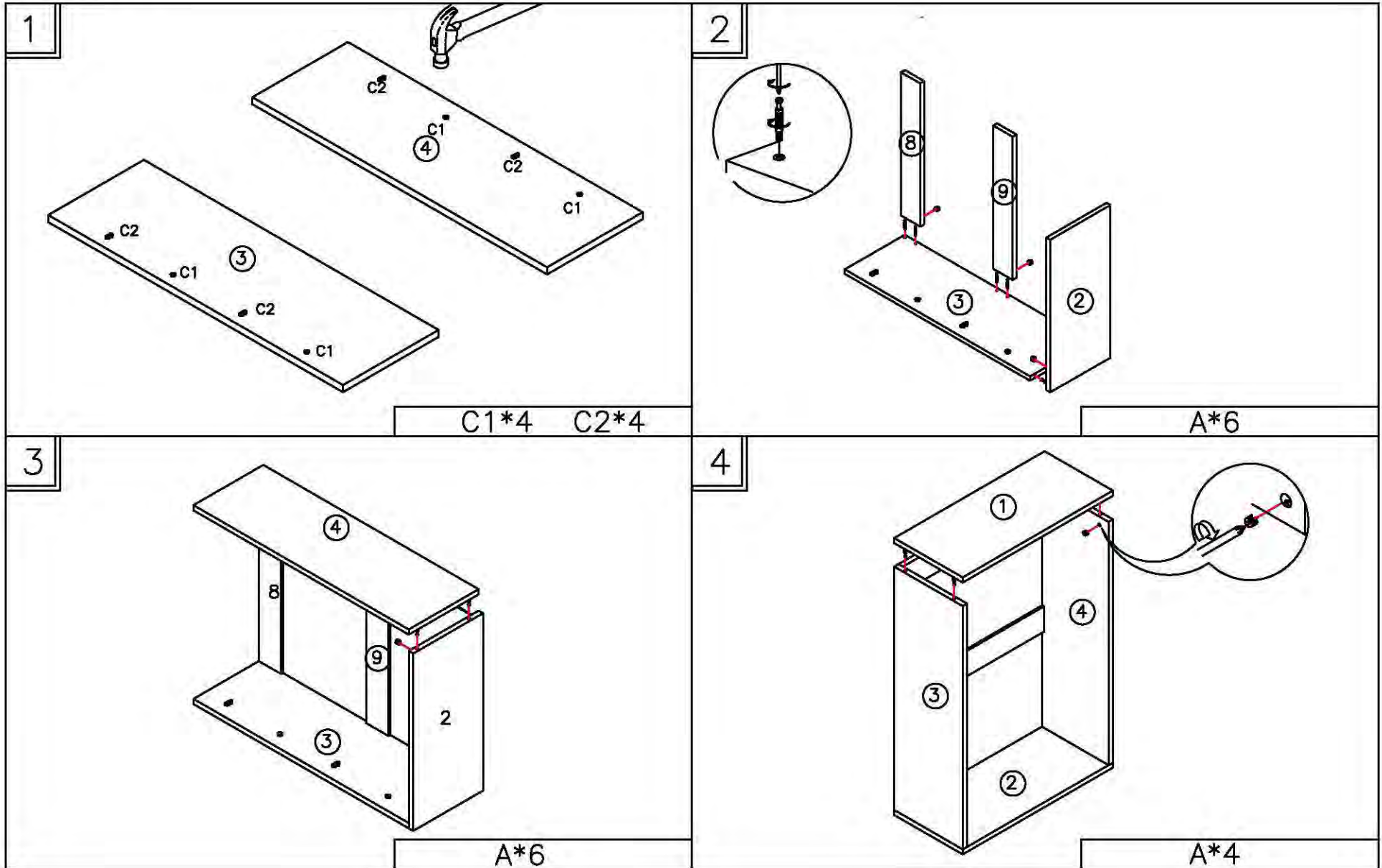
H

4\*50



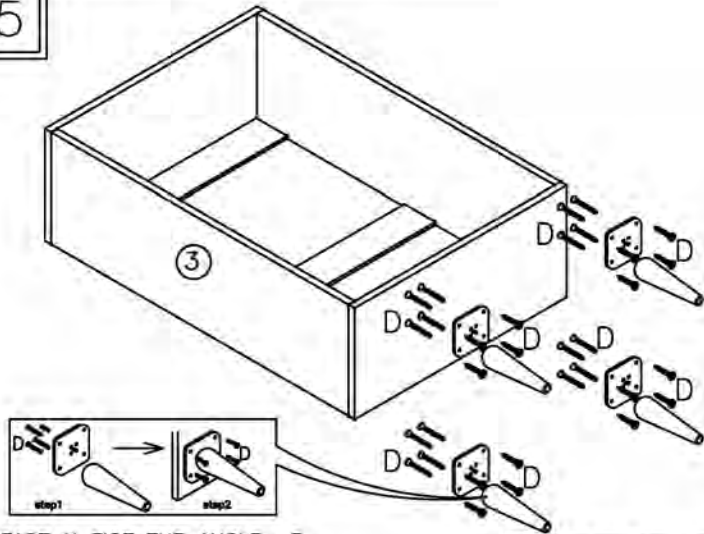
2PCS

frankystar



frankystar

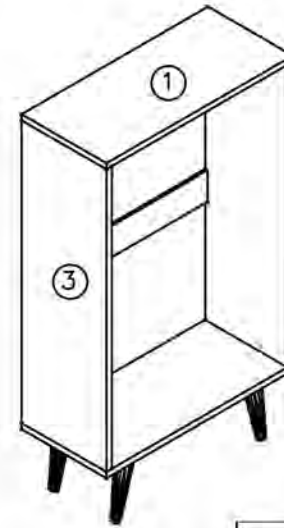
5



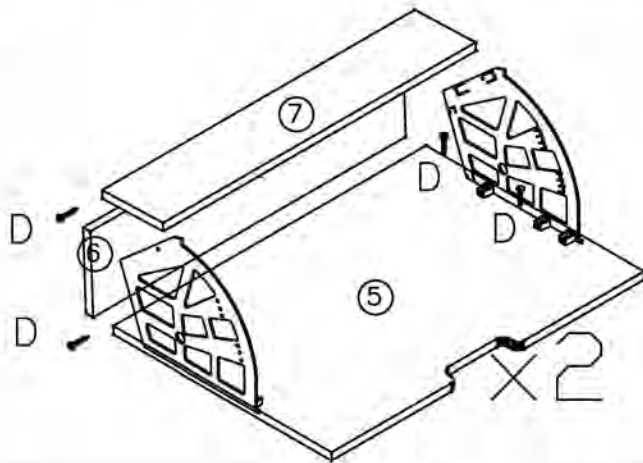
PLEASE NOTICE THE ANGLE OF THE LEGS WHEN ASSEMBLING!!!

D\*32 E\*4 F\*4

6

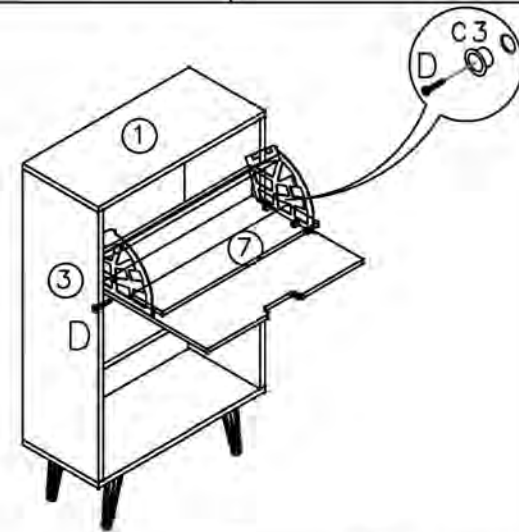


7



B\*2 D\*24

8



C3\*4 D\*6

frankystar  
BEAUTIFUL AESTHETICS / FUNCTIONAL DESIGN