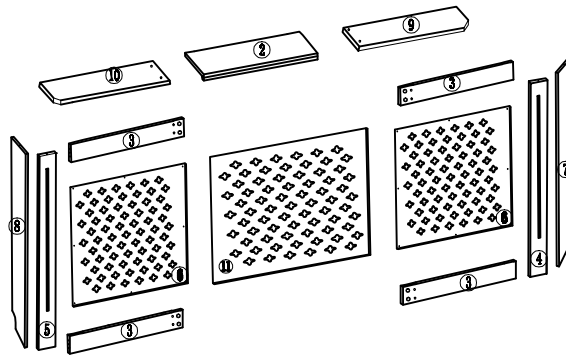
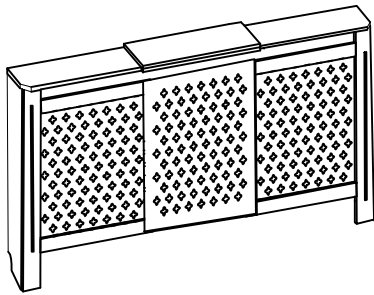
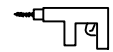


Instruction Manual



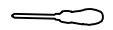
Tools needed



churn drill

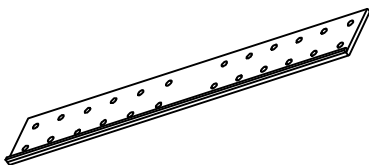


hammer



cross screwdriver

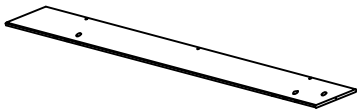
Please note that there is no No.1 panel !



② x1 850*205*24mm



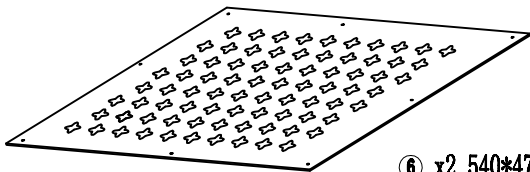
③ x4 550.5*105*12mm



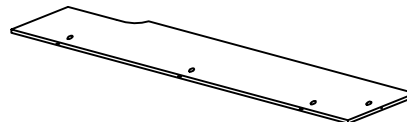
④ x1 803*110*12mm



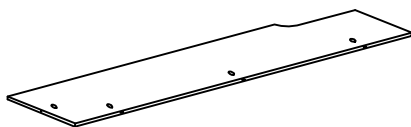
⑤ x1 803*110*12mm



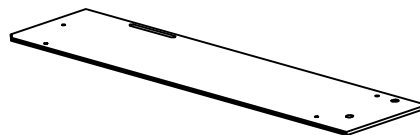
⑥ x2 540*479*3mm



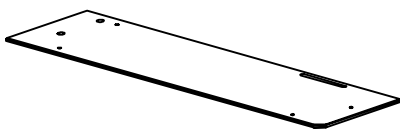
⑦ x1 803*168*12mm



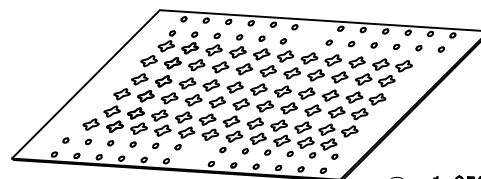
⑧ x1 803*168*12mm



⑨ x1 691*190*12mm



⑩ x1 691*190*12mm



⑪ x1 850*649*12mm



Ax2



Bx14



Cx14



Dx8



Ex14



Fx4



Gx4



Hx2



Ix8



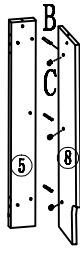
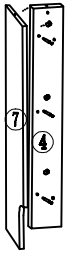
Jx1



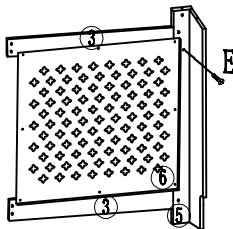
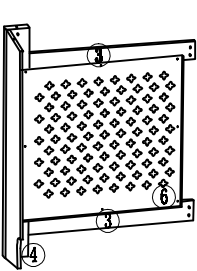
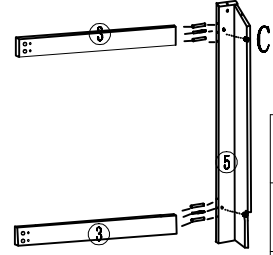
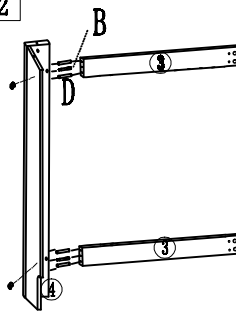
Kx1



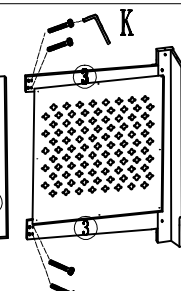
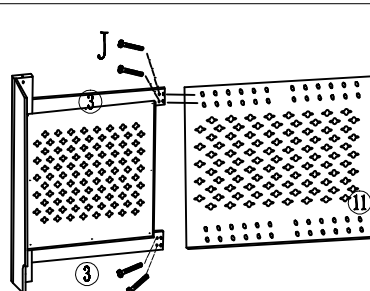
Using a screwdriver, screw in the #B screws securely. Please do not over tighten as it may cause wood to splinter. The small arrow on the #C Cam Locking Screw should be facing the #B screws extending from the panel. Use screwdriver to tighten securely, but avoid over tightening, screws may protrude through the panel.



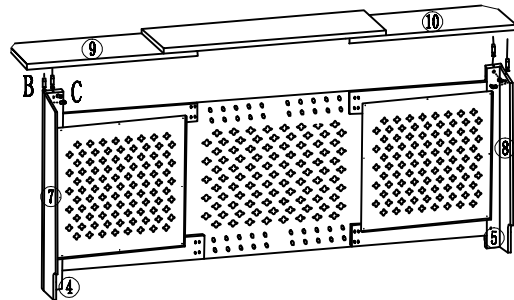
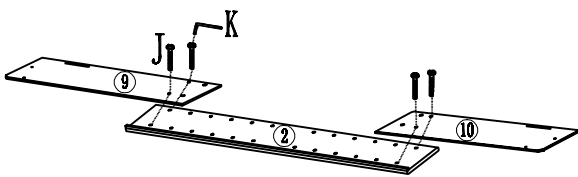
1 2



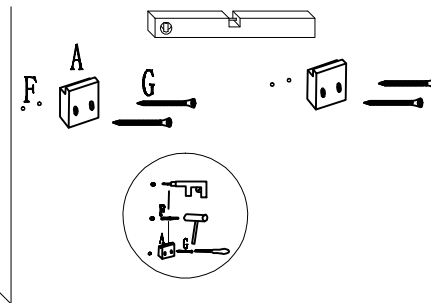
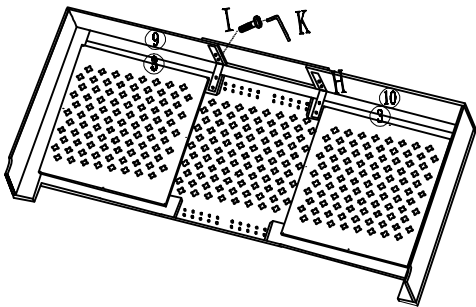
3 4



5 6



7 8



9

