



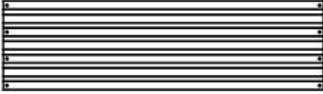
GARDEN BED

ASSEMBLY GUIDE

- Cut metal edges can be sharp. Wear safety gloves when assembling.
- Use a tarp or drop cloth to prevent loosing small hardware when assembling the beds in the field.
- These beds provide ergonomic access to plants and can eliminate the need to till the soil each year if the soil is not packed down. Avoid stepping in the bed!
- The garden beds are ideal for larger plants such as tomatoes, peppers or blueberries or raspberries planted in a row, smaller plants such as herbs or flowers can be grown around them as an accent.
- The narrow beds can be accessed from one side and are suitable to place against a wall, or can be lined up or extended to form a wall or boarder.
- 40" large beds are best for planning multiple rows of plants such as lettuce, radishes, carrots, corn or rambling plants such as strawberries.
- Beds can be bolted end-to-end to form larger assemblies using common fastening points.
- Prepare the site before installation. Level ground and remove existing vegetation, weed cloth can be used under the beds, a double layer is recommended for beds placed on un-stripped lawn.
- A layer of gravel or stone can be used at the bottom of the beds for improved drainage.
- For roof top installations, heavy-duty poly or rubber sheet can be used as a liner. Drain holes must be cut around the bottom edges to insure proper drainage.
- Loosely hand-tighten all nuts and bolt sets first, position the bed, then tighten all with a wrench or socket.
- Extra hardware may be provided, after assembly check that all fasten points are secured.

- Alloy garden beds requires no maintenance, and are built to withstand years of exposure to the elements. The finish will fade with time and some discoloration is normal, minor surface rust on edges and hardware is to be expected and should not effect the structural integrity of the product.
- Do not use adhesive removers, they often contain citric acid which can damage the alloy garden bed finish.
- Do not stand on, or lean a wheelbarrow against the bed wall, It will damage the wall and void the warranty.
- These raised garden beds are not toys. Children should not play in or around them. Use of these beds for applications other than gardening will void the warranty.

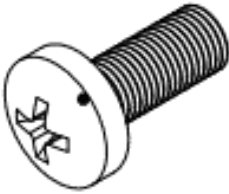
COMPONENTS



P1: Panel (x4)



W1: Corner Bracket (x4)



F1: Bolt (x32)



F2: Nut (x32)

INSTALLATION

Step 1

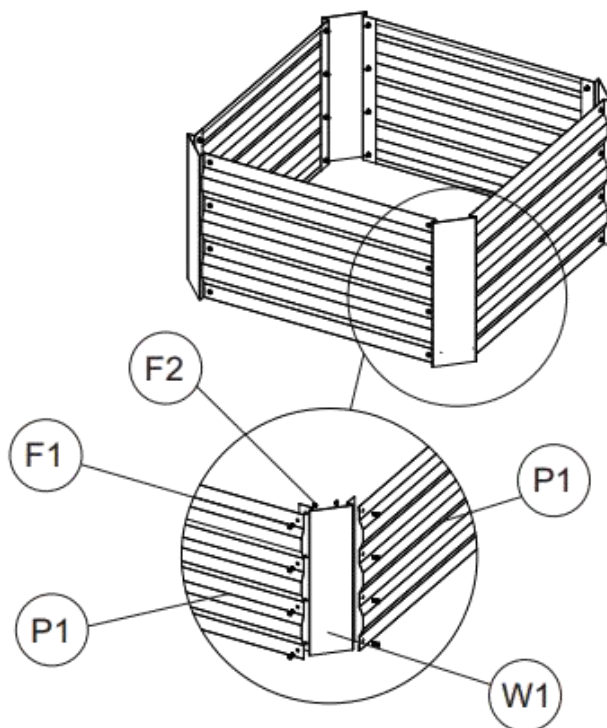
Unpack the unit, confirm that you have all the parts listed.

Step 2

Fasten the corner brackets to the side and front panels using the nuts and bolts provided as shown in the diagram. Tighten with a screwdriver.

Step 3

Position the garden bed in the desired final location before filling it with soil.



CAUTION & CARE

Caution

- Handle components with care due to sharp corners.
- Beware of the warning label of any chemicals that may cause corrosion if used in the garden bed.
- Corrosion caused by chemical reactions is not covered by warranty.

Recommendations

- Wear gloves during assembly.
- Assemble the unit on a level surface.

Living and Home

A Home is for Living in

For comfort and style update your living space.

Browse contemporary and classic designs and find the perfect home to your look and the perfect spot to lounge.

Put your feet up and sink into our stylish home decor.

We are mainly engaged in home, outdoor, home appliances, office, bathroom, provided high quality and affordable products for you. We value every one of our customers and our professional service team is always available to help you.

livingandhome.co.uk