



# **TROLLEY CART**

# SAFETY & WARNINGS

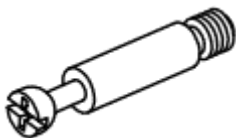
## Warning

- Read each step carefully before starting. It is very important to ensure each step is followed in correct order, otherwise assembly difficulties may occur.
- Do not sit or stand upon the tabletop.
- Make sure you have enough space to layout the parts before starting.
- We recommend that, where possible, all items are assembled near to the area in which they will be placed in use, to avoid moving the product unnecessarily once assembled.
- Keep the hand screwdrivers close at hand. Do not use power tools to assemble your furniture. They may scratch or damage the parts.

## Safety Information

- Separate and count all parts and hardware.
- Keep children and animals away from the work area small parts could choke if swallowed.
- Parts of the assembly will be easier with 2 people.
- Place the product on flat and steady surface during use.
- During assembly do not stand or put weight on the product, this could cause damage.
- Assemble on a soft level surface to avoid damaging the unit or your floor.
- Only upon completion of the assembly should all fixing points be fully tightened.
- Regularly check and ensure that all bolts and fittings are tightened properly.

# COMPONENTS



A: Screw (x7)



B: Cam Connector (x7)



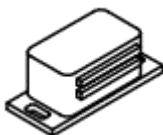
C: Dowel (x22)



D: Screw (x14)



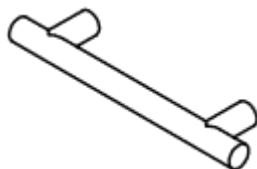
E: Barrel Nut (x14)



F: Magnet (x1)



G: Screw (x4)



H: Handle (x2)



I: Locking Wheel Caster (x2)



J: Wheel Caster (x2)



K: Screw (x2)



L: Screw (x6)



M: Short Screw(x11)



N: Hinge (x1)

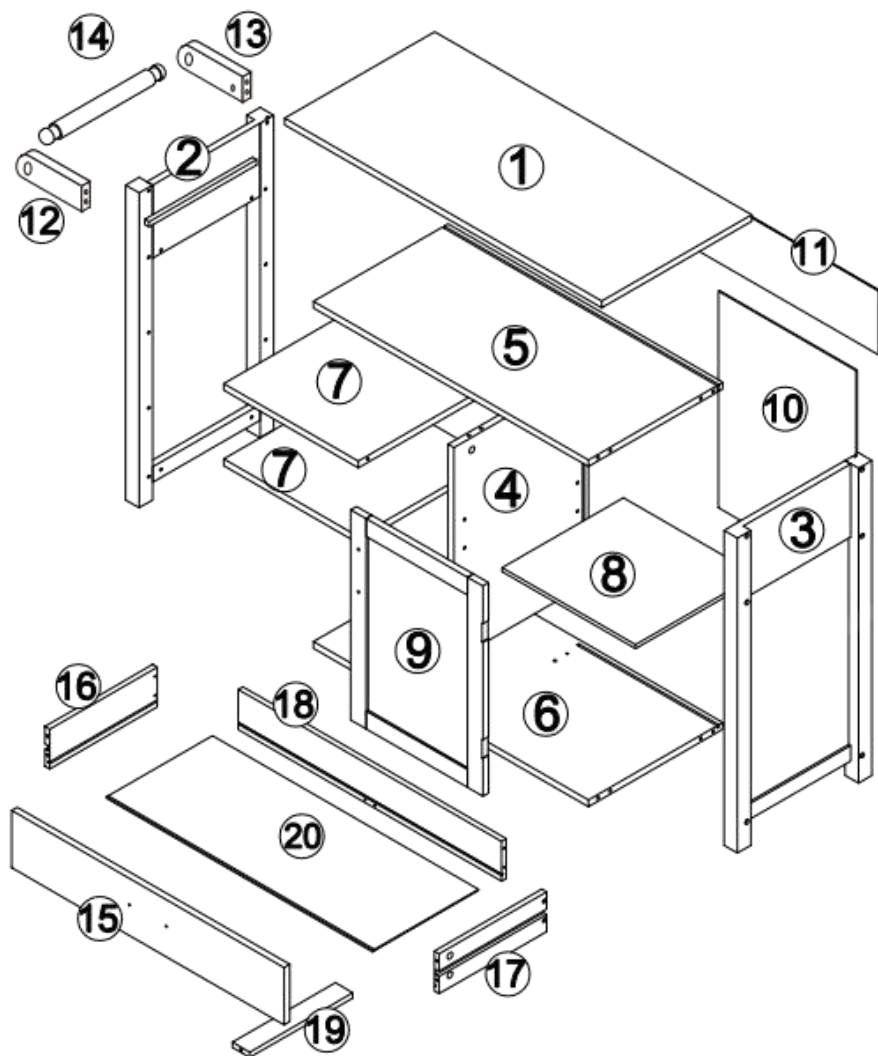


O: Hinge (x2)



P: Peg (x4)

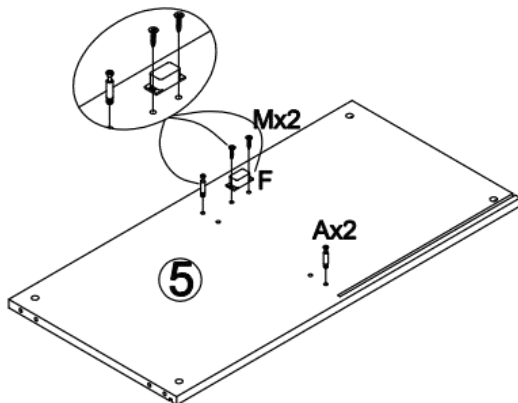
# PART LIST



# INSTALLATION

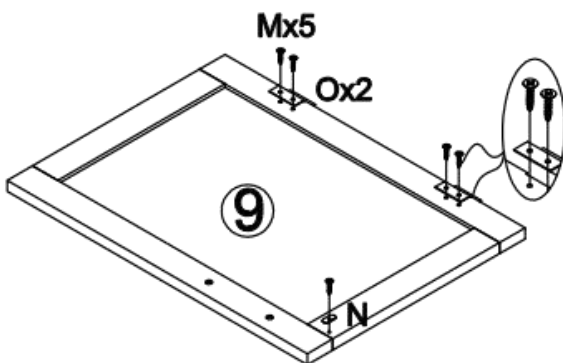
## Step 1

Place the board (5) on a flat and clean surface. Attach the magnet (F) to the board (5) with short screws (M). Insert bolt (A) into the board (5).



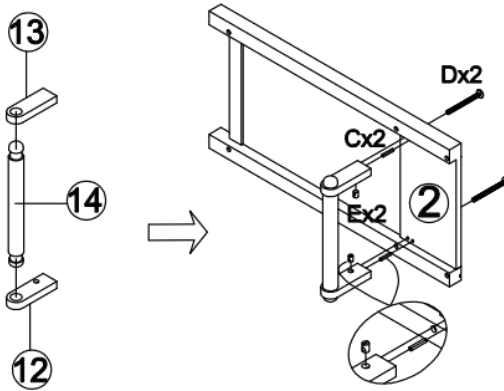
## Step 2

Attach two hinges (O) to the cabinet door (9) with short screws (M). Attach hinge (N) to the cabinet (9) as shown in the figure.



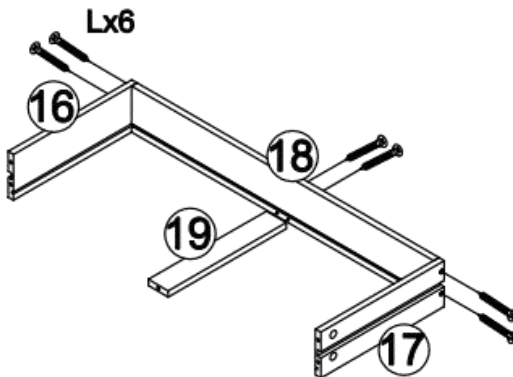
### Step 3

Connect left arm (13) and right arm (12) to the towel rack (14). Attach the assembled towel rack (14) to the left side frame (2) with dowels (C), barrel nuts (E) and screws (D).



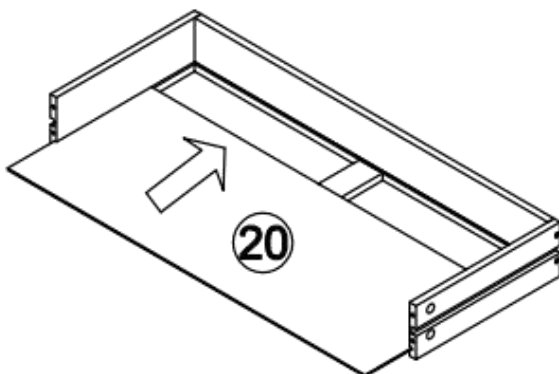
### Step 4

Attach left panel (16), right panel (17) and middle panel (19) to back panel (18) with screws (L).



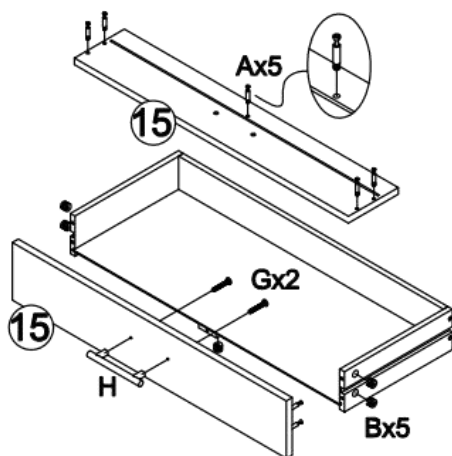
### Step 5

Slide the drawer bottom (20) into the drawer frame as shown.



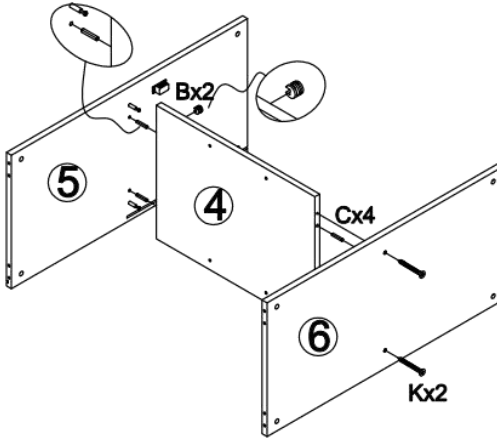
### Step 6

Insert bolts (A) into the back of the board (15). Attach the handle (H) to the board (15) with screws (G). Attach the board (15) to the drawer frame with cam connectors (B).



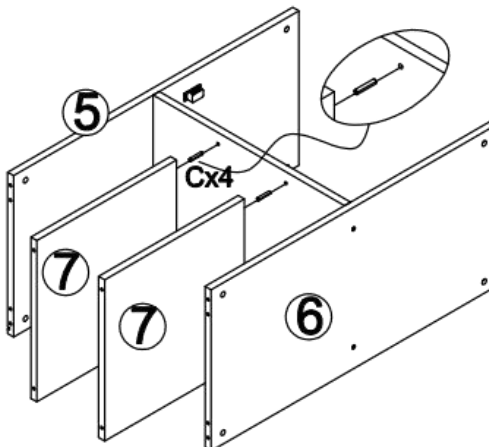
### Step 7

Connect board (5) and board (6) to the divider (4) with dowels (C), cam connectors (B) and screws (K).



### Step 8

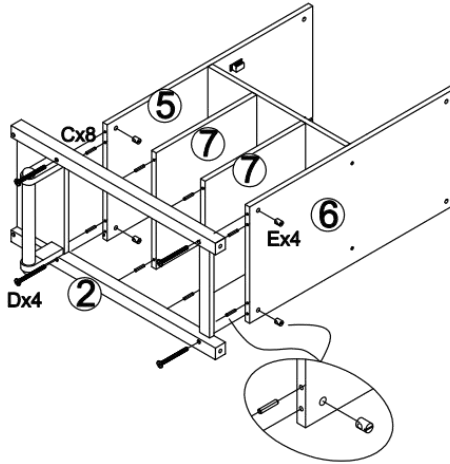
Attach shelves (7) to divider (4) with dowels (C) as shown.





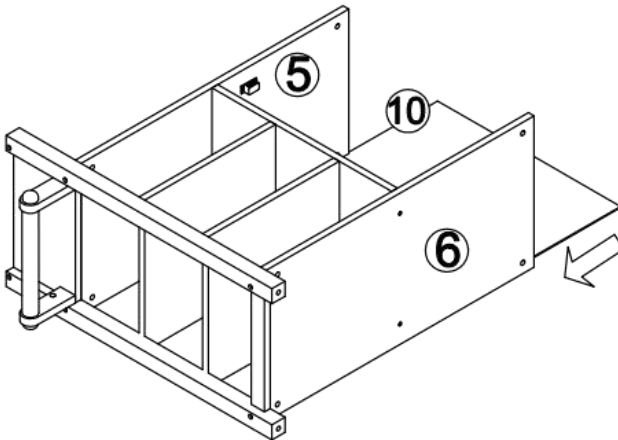
### Step 9

Attach left side (2) to the boards (5), (6) and (7) with dowels (C), barrel nuts (E) and screws (D).



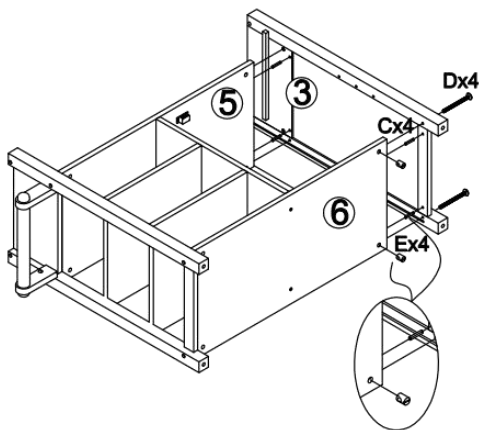
### Step 10

Slide back-piece (10) between the boards (5) and (6).



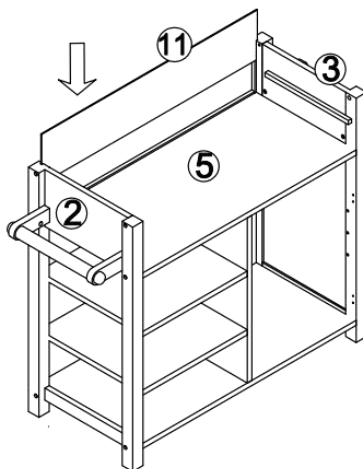
### Step 11

Attach assembled right side (③) to the boards (⑤) and (⑥) with dowels (C), barrel nuts (E) and screws (D).



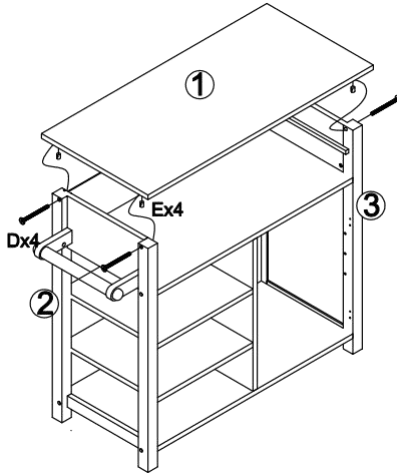
### Step 12

Slide the backing board (⑪) between the boards (②) and (③).



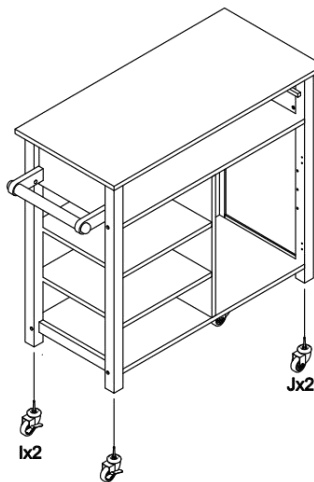
### Step 13

Attach the tabletop (①) to the assembled cart frame with barrel nuts (E) and screws (D).



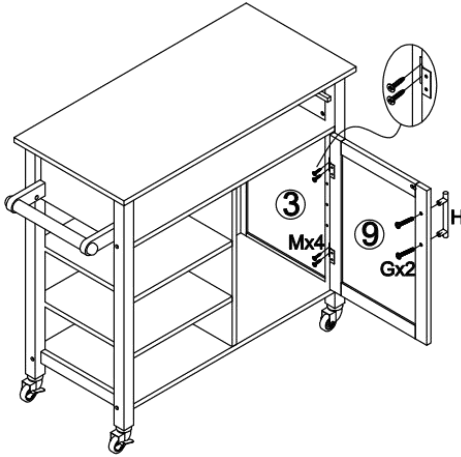
### Step 14

Insert wheel casters (J) and locking wheel casters (I) to the corresponding sides.



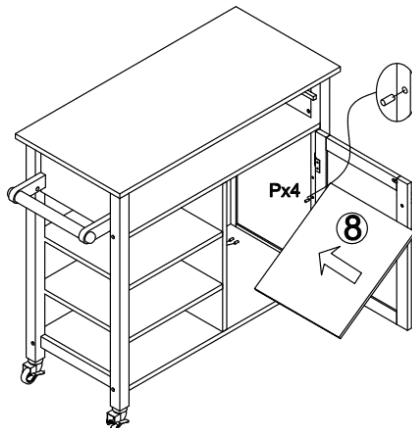
### Step 15

Attach a handle (H) to the cabinet door (9) with screws (G).  
Attach the cabinet door (9) to cart with short screws (M).



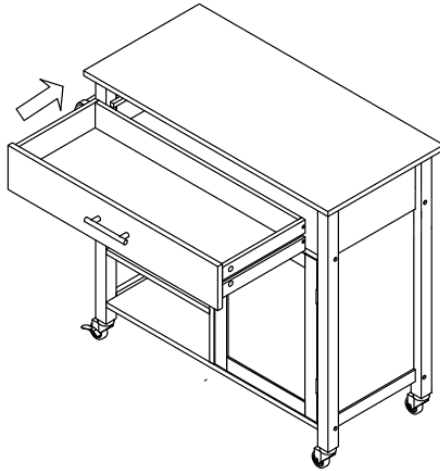
### Step 16

Insert four pegs (P) into cabinet, and then place a shelf (8) into cabinet as the picture shown.



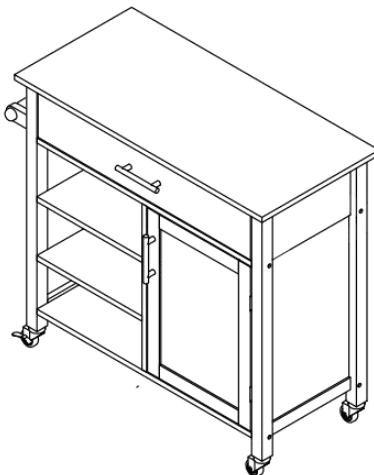
### Step 17

Slide the assembled drawer into cart.



### Step 18

Finished.



## CLEANING & CARE

- Use a soft, clean cloth that will not scratch the surface when dusting.
- Use of furniture polish is not necessary. Should you choose to use polish, test first in an inconspicuous area.
- Using solvents of any kind on your furniture may damage the finish.
- Never use water to clean your furniture as it may cause damage to the finish.
- Liquid spills should be removed immediately. Using a soft clean cloth, blot the spill gently. Avoid rubbing.
- Check bolts/screws periodically and tighten them if necessary.
- This product should not be discarded with household waste. Take to your local authority waste disposal centre.

## **Living and Home**

### **A Home is for Living in**

For comfort and style update your living space.

Browse contemporary and classic designs and find the perfect home to your look and the perfect spot to lounge.

Put your feet up and sink into our stylish home decor.

We are mainly engaged in home, outdoor, home appliances, office, bathroom, provided high quality and affordable products for you. We value every one of our customers and our professional service team is always available to help you.

[livingandhome.co.uk](http://livingandhome.co.uk)