



# **STEEL STORAGE BOX**

# ASSEMBLY GUIDE

## Warning

- Cut metal edges can be sharp. Wear safety gloves when assembling.
- Select a site that allows enough working space around the storage box.
- Follow all directions and dimensions thoroughly.
- Follow the steps given in the manual carefully for correct assembly.
- Make sure all parts are present before you start assembling.
- BE SAFE: Follow safety instructions and avoid injury.
- GROUND MUST BE EVEN : Make sure the foundation frame lies flat on the ground. If the earth bed is uneven, remove sod and other debris and level it with a flat shovel.
- Separate contents of the carton by the part number and review the list. Be sure you have all the necessary parts for your storage box. Refer Owner's manual for part list.

## Safety

- Always wear work gloves, long sleeves and eye protection during assembly of the storage box. Some pieces of the storage box contain sharp edges and can cause injury.
- Be cautious with the tools used for the assembly of the storage box. Familiarize yourself with the operation of all the power tools.
- Children and pets should be kept away from the assembly site to avoid any distractions and accidents.

## **Important**

- Wear eye protection when using any form of power tools. Do not use voltage power tools in a wet or damp environment to avoid electric shock.
- Do not use any part of the storage box as a means of personal support while attaching components during assembly.
- The storage box must be constructed on a solid base foundation. A concrete pad or a large size concrete patio stone squares is recommended for suitable floor base. Make sure it is firm and level and will allow drainage away from the site.

# COMPONENTS



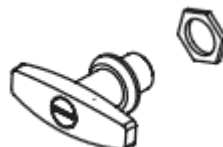
C1: (x4)



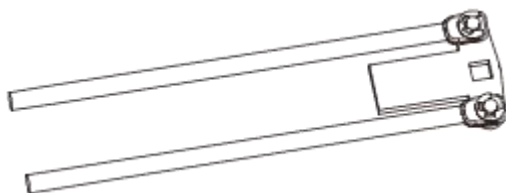
C4: (x5)



C5: (x2)



B1: (x1)



B2: (x1)



G3: (x2)



PB05: (x1)



P1: (x1)



P2: (x1)





P3: (x1)



P4: (x1)



P5: (x1)



S4: (x2)



S5: (x1)



S6: (x1)



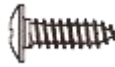
F1: (x46)



F2: (x38)



S3: (x50)

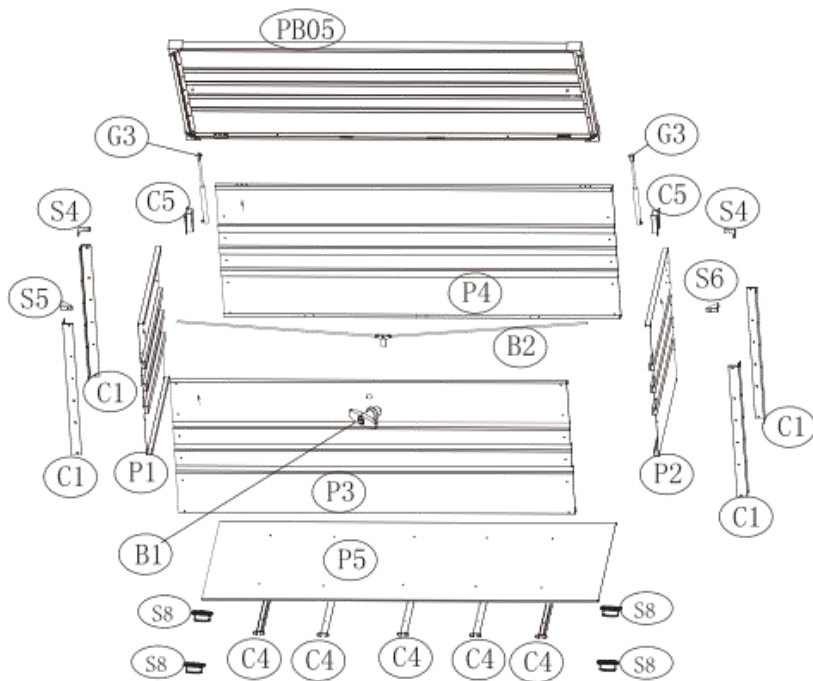


F8: (x4)



S8: (x4)

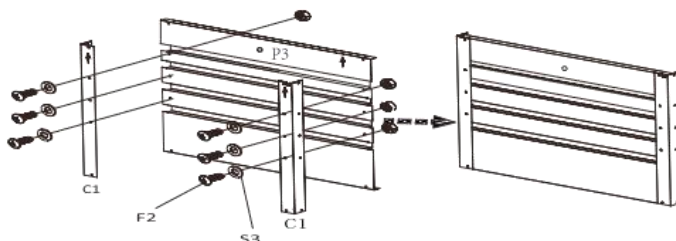
# PART LIST



# INSTALLATION

## Step 1

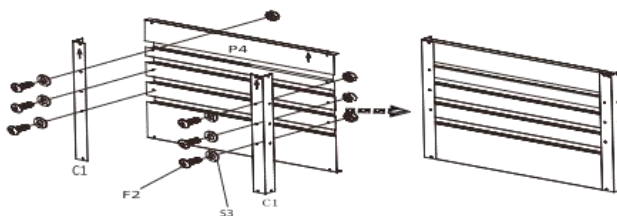
Attach two pillars (C1) to the front panel (P3) with plastic washers (S3) and bolts (F2).



| Model | Description    | Quantity |
|-------|----------------|----------|
| C1    | Pillar         | 2        |
| P3    | Front Panel    | 1        |
| F2    | M4x10 Bolt     | 6        |
| S3    | Plastic Washer | 6        |

## Step 2

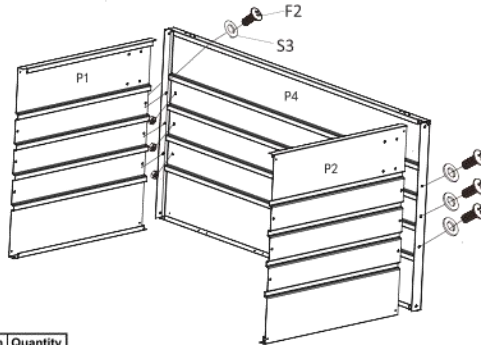
Attach two pillars (C1) to the rear panel (P4) with plastic washers (S3) and bolts (F2).



| Model | Description    | Quantity |
|-------|----------------|----------|
| C1    | Pillar         | 2        |
| P4    | Rear Panel     | 1        |
| F2    | M4x10 Bolt     | 6        |
| S3    | Plastic Washer | 6        |

### Step 3

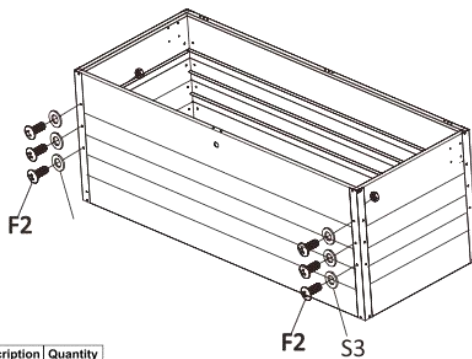
Attach left panel (P1) and right panel (P2) to rear panel (P4) with plastic washers (S3) and bolts (F2).



| Model | Description    | Quantity |
|-------|----------------|----------|
| P1    | Left Panel     | 1        |
| P2    | Right Panel    | 1        |
| P4    | Rear Panel     | 1        |
| F2    | M6x10 Bolt     | 6        |
| S3    | Plastic Washer | 6        |

### Step 4

Attach the front panel (P3) to the basic frame of step 3 with plastic washers (S3) and bolts (F2) as shown in the picture.

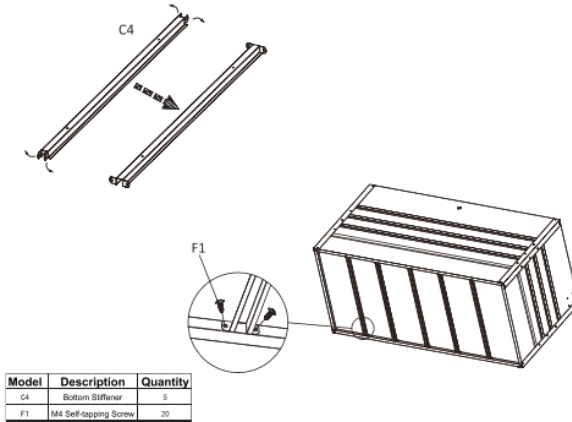


| Model | Description    | Quantity |
|-------|----------------|----------|
| P1    | Left Panel     | 1        |
| P2    | Right Panel    | 1        |
| P3    | Front Panel    | 1        |
| F2    | M6x10 Bolt     | 6        |
| S3    | Plastic Washer | 6        |



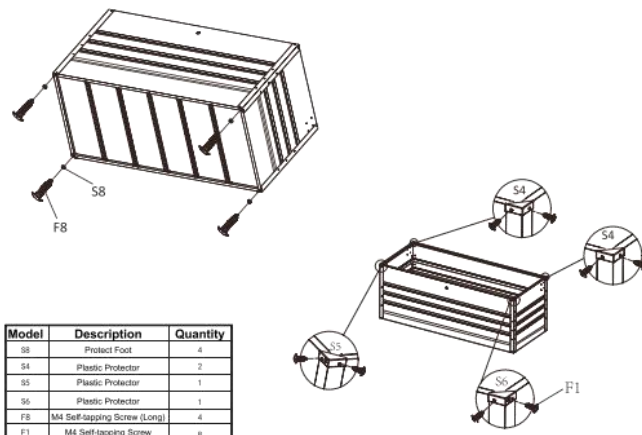
## Step 5

Attach five bottom stiffeners (C4) to the bottom of the tool cabinet with M4 self-tapping screws (F1).



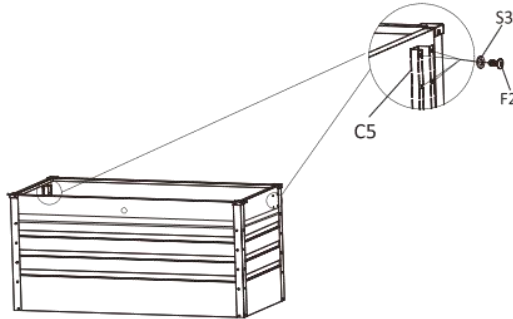
## Step 6

Attach protect foots (S8) to the bottom of the tool cabinet with M4 self-tapping screw long (F8). Attach plastic protector (S4, S5 and S6) to tighten the tool cabinet with M4 self-tapping screw (F1).



### Step 7

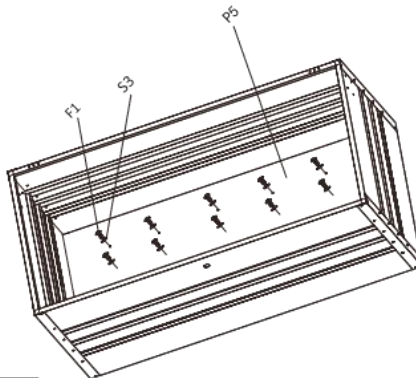
Attach two hydraulic rod holders (C5) to the corner of the tool cabinet with plastic washers (S3) and bolts (F2) as the picture shown.



| Model | Description          | Quantity |
|-------|----------------------|----------|
| C5    | Hydraulic Rod Holder | 2        |
| F2    | M4x10 Bolt           | 8        |
| S3    | Plastic Washer       | 8        |

### Step 8

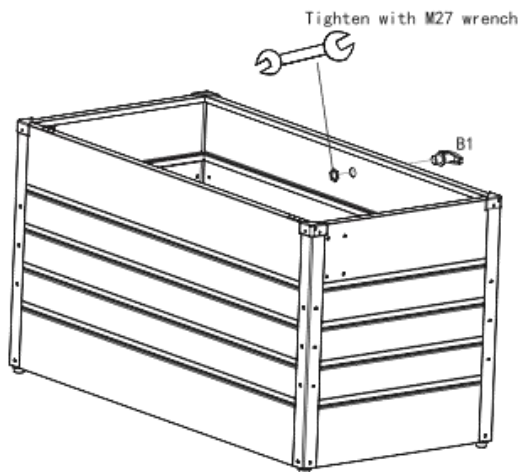
Attach the bottom plate (P5) to the bottom of the tool cabinet with plastic washers (S3) and M4 self-tapping screw (F1).



| Model | Description           | Quantity |
|-------|-----------------------|----------|
| P5    | Bottom Plate          | 1        |
| F1    | M4 Self-tapping Screw | 10       |
| S3    | Plastic Washer        | 10       |

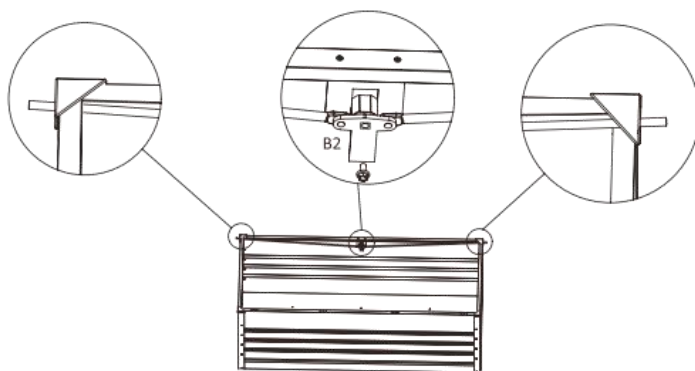
## Step 9

Attach lock (B1) to the front panel (P3) using M27 wrench.



## Step 10

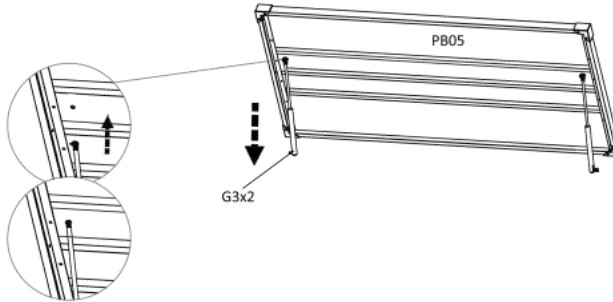
Attach lock (B1) and lock lever (B2) to the tool cabinet as shown.



| Model | Description | Quantity |
|-------|-------------|----------|
| B1    | Lock        | 1        |
| B2    | Lock Lever  | 1        |

## Step 11

Connect two hydraulic rods (G3) to top lid (PB05) as the picture shown.

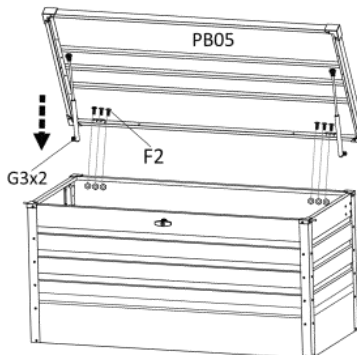


| Model | Description   | Quantity |
|-------|---------------|----------|
| G3    | Hydraulic Rod | 2        |

## Step 12

Attach top lid (PB05) to the basic frame of tool cabinet with hydraulic rod (G3) and bolts (F2). **Tips:** Important! Install this step with 2 persons.

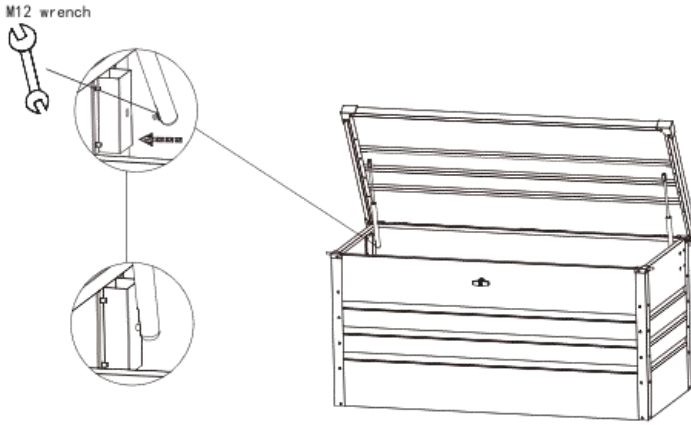
⚠ Important! Install this step with 2 persons! ⚠



| Model | Description   | Quantity |
|-------|---------------|----------|
| PB05  | Top Lid       | 1        |
| G3    | Hydraulic Rod | 2        |
| F2    | 4x10 Bolt     | 6        |

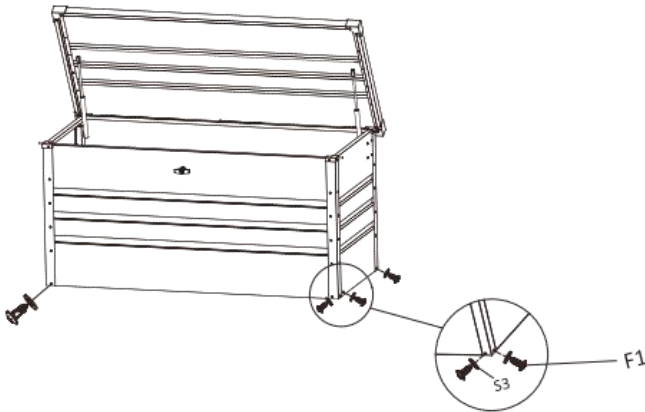
### Step 13

Tighten two hydraulic rods (G3) with M12 wrench as shown.



### Step 14

Tighten the tool cabinet with plastic washers (S3) and M4 self-tapping screws (F1).



| Model | Description           | Quantity |
|-------|-----------------------|----------|
| S3    | Plastic Washer        | 8        |
| F1    | M4 Self-tapping Screw | 8        |

## CAUTION & CARE

- Although this unit does not require any maintenance, care should be taken to prolong the life of your storage box. It is for once time assembling and set up, no purpose of re-using.
- **ROOF:** Keep roof clean of leaves and snow with long handled, soft bristled broom. Heavy amounts of snow on the roof can damage the storage box making it unsafe. "Do not walk on roof surfaces! Risk of falling!".
- **WALLS:** Do not rest any object against the wall panels of the storage box.
- **DOORS:** Keep doors closed to prevent wind damage.
- **FASTENERS:** Regularly check your storage box for loose screws, bolts, nuts, etc. And re-tighten them as necessary.
- **MOISTURE:** With changing temperatures, condensation will accumulate inside the storage box. Good ventilation will help in regulating and avoid moisture.
- **DO NOT** store Inflammable, Hazardous and Swimming pool chemicals in your building. Combustibles and corrosive must be stored in air tight containers.

## **Living and Home**

### **A Home is for Living in**

For comfort and style update your living space.

Browse contemporary and classic designs and find the perfect home to your look and the perfect spot to lounge.

Put your feet up and sink into our stylish home decor.

We are mainly engaged in home, outdoor, home appliances, office, bathroom, provided high quality and affordable products for you. We value every one of our customers and our professional service team is always available to help you.

[livingandhome.co.uk](http://livingandhome.co.uk)