



M 904

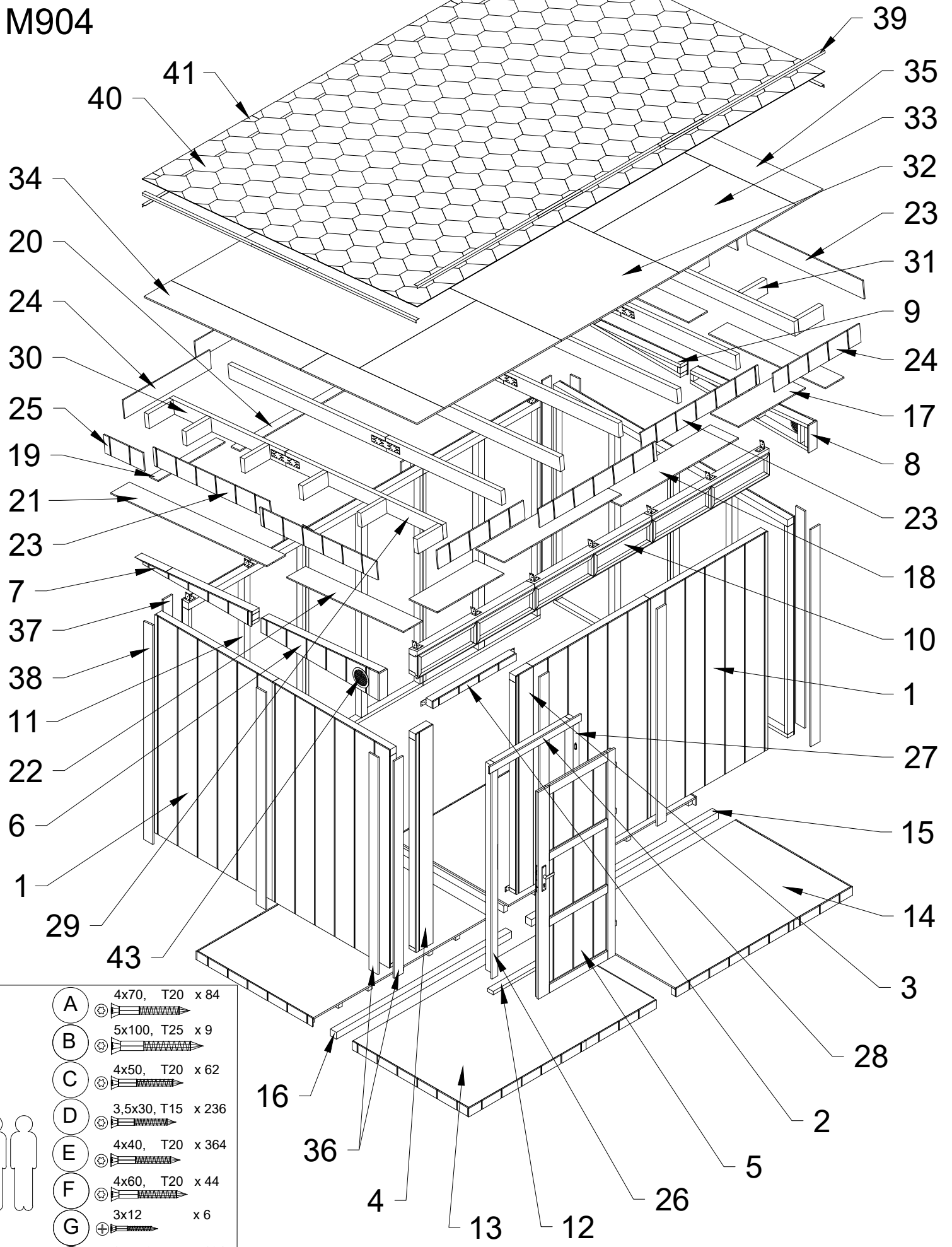
LP® SMARTSIDE® SHED











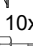


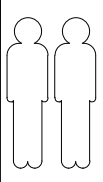
www.timbela.com

sale@timbela.com














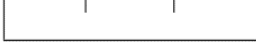

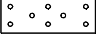
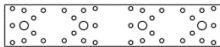



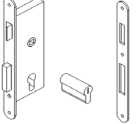







M904



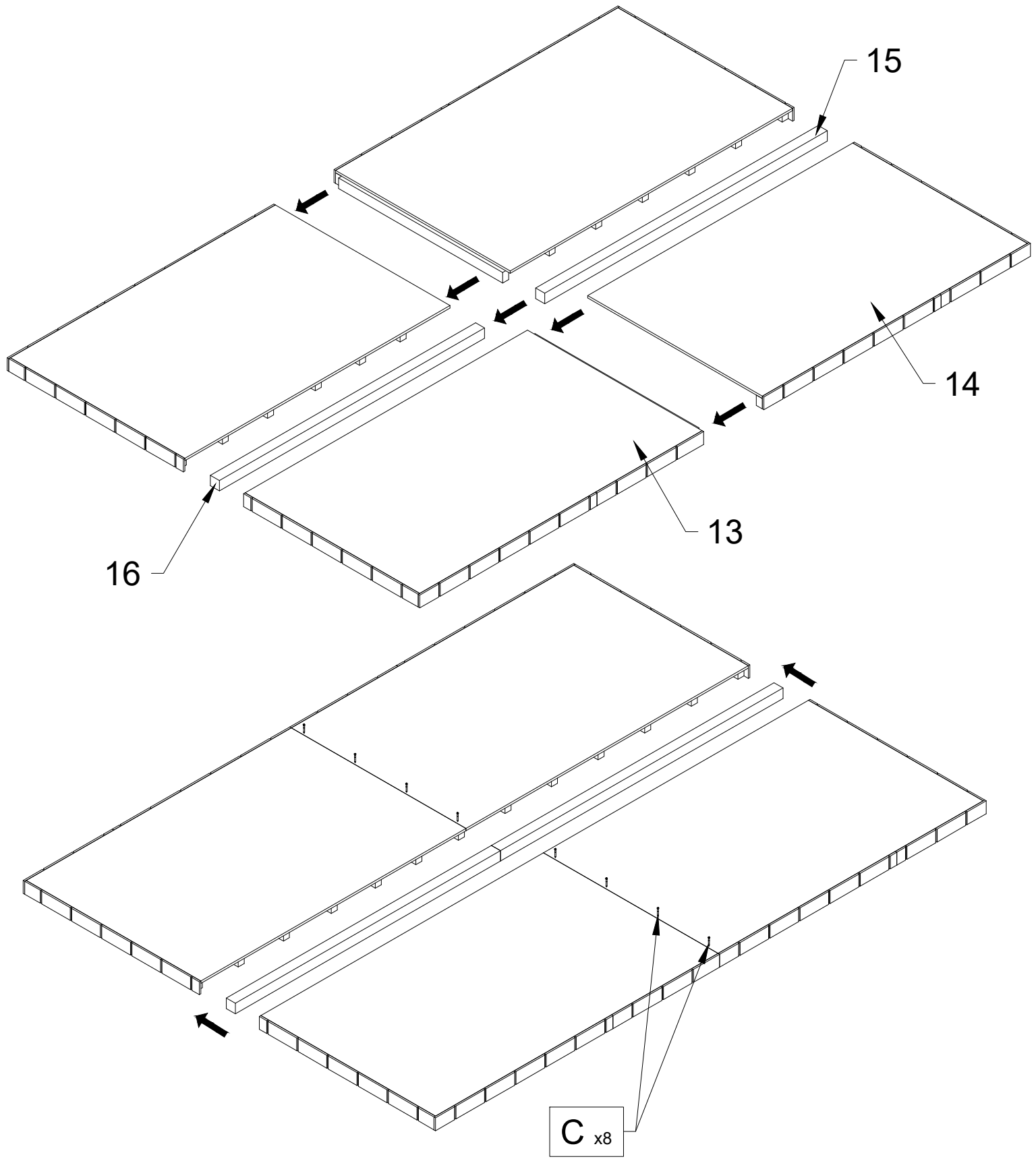
- A**  4x70, T20 x 84
- B**  5x100, T25 x 9
- C**  4x50, T20 x 62
- D**  3.5x30, T15 x 236
- E**  4x40, T20 x 364
- F**  4x60, T20 x 44
- G**  3x12 x 6
- H**  2.5x50 x 184
- J**  4x30 x 5
- K**  3,1x15 x 4 pack
- L**  10x50 x 28



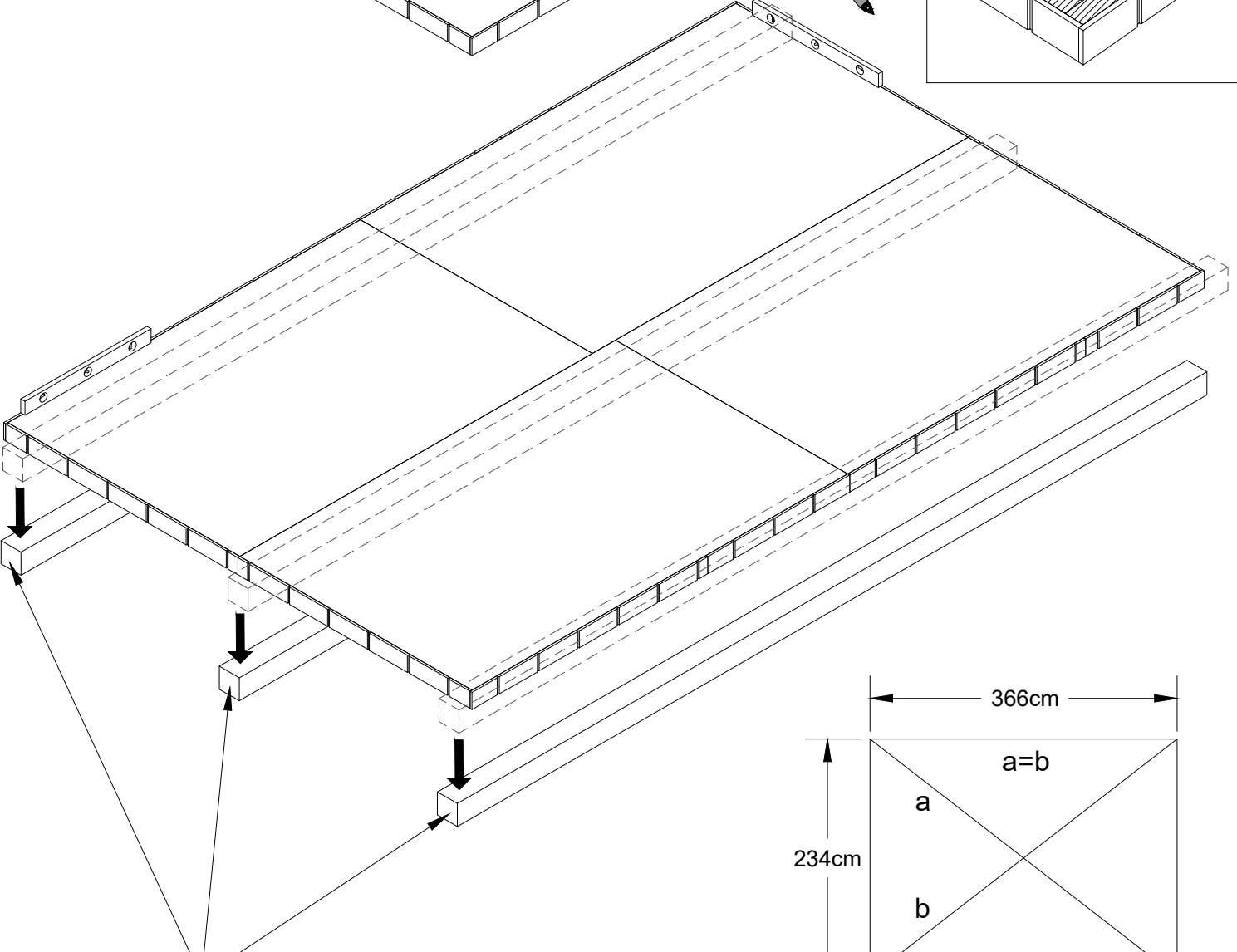
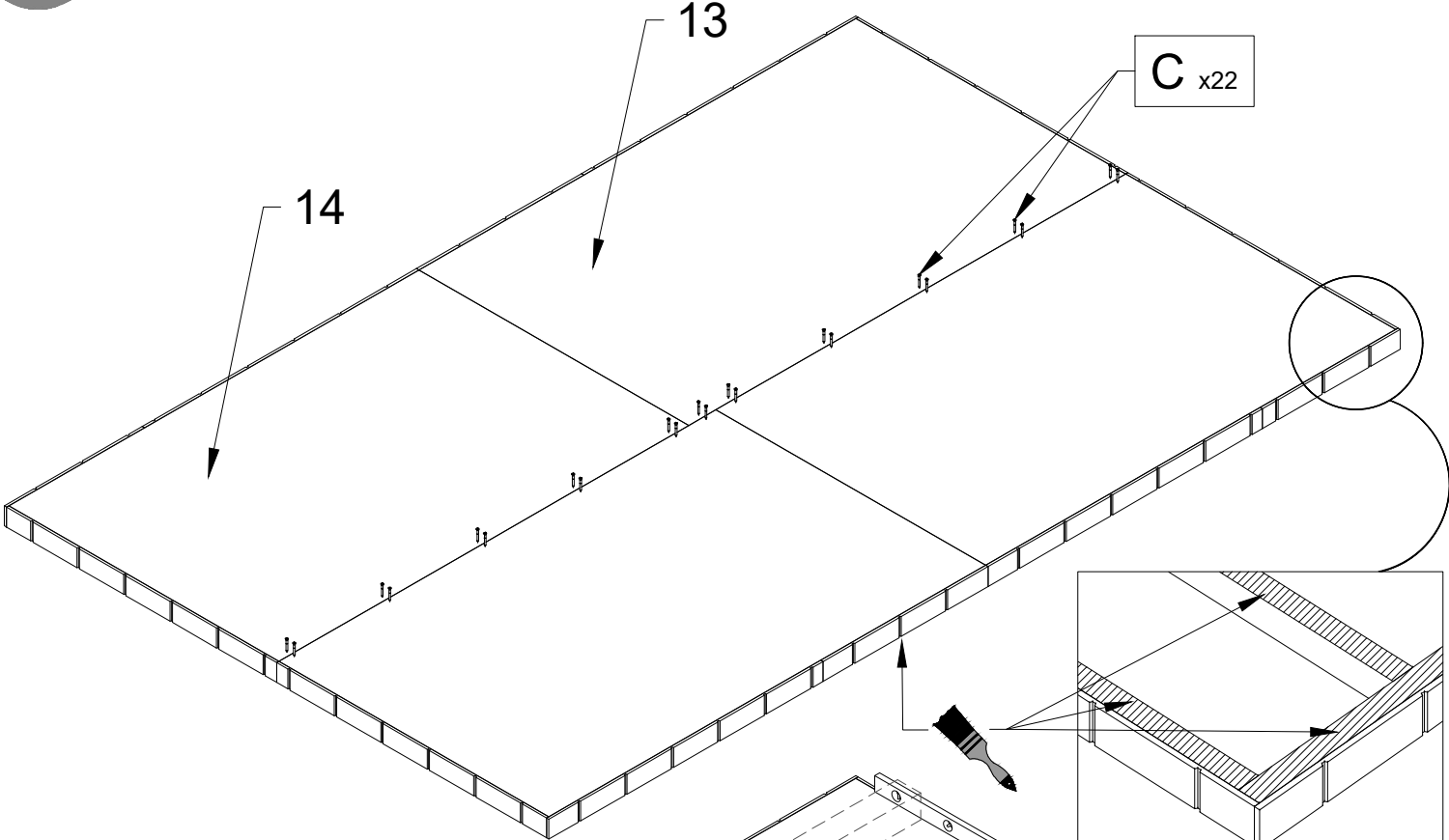
№		PCS			
			mm	mm	mm
1		9		1180	1900
2		1		60	839
3		1		170	1900
4		1		170	1900
5		1		772	1801
6		1		238	1193
7		1		124	1180
8		1		238	1193
9		1		124	1180
10		3		240	1180
11		9	60	60	1810
12		1	30	57	839
13		2		1172	1910
14		2		1172	1774
15		1	60	60	1880
16		1	60	60	1764
17		2	10	284	673
18		2	10	284	1180
19		2	10	89	673
20		2	10	89	1180
21		2	10	189	1579
22		2	10	189	1180
23		8	10	154	1180
24		4	10	154	872
25		2	10	154	399
26		1	60	82	1839
27		1	60	82	1839

28		1	60	82	925
29		7	40	120	1590
30		7	40	120	1169
31		12	40	120	252
32		3	12	1180	1900
33		3	12	859	1180
34		2	12	272	1579
35		2	12	272	1180
36		8	13	92	1890
37		4	13	92	1885
38		2	13	92	1909
39		10			1660
40		4 pack			
41		5			1000
43		2			
44		4			
45		14			
46		14			
47		3			
47.1		3			
48		1			
48.1		1			
49		1			
50		1			
51		1			
52		1	T25		
53		1	T20		
54		1	T15		

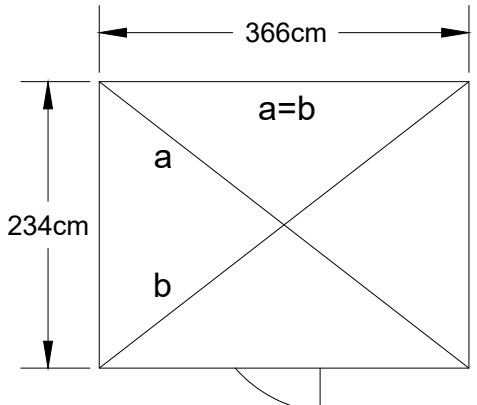
1



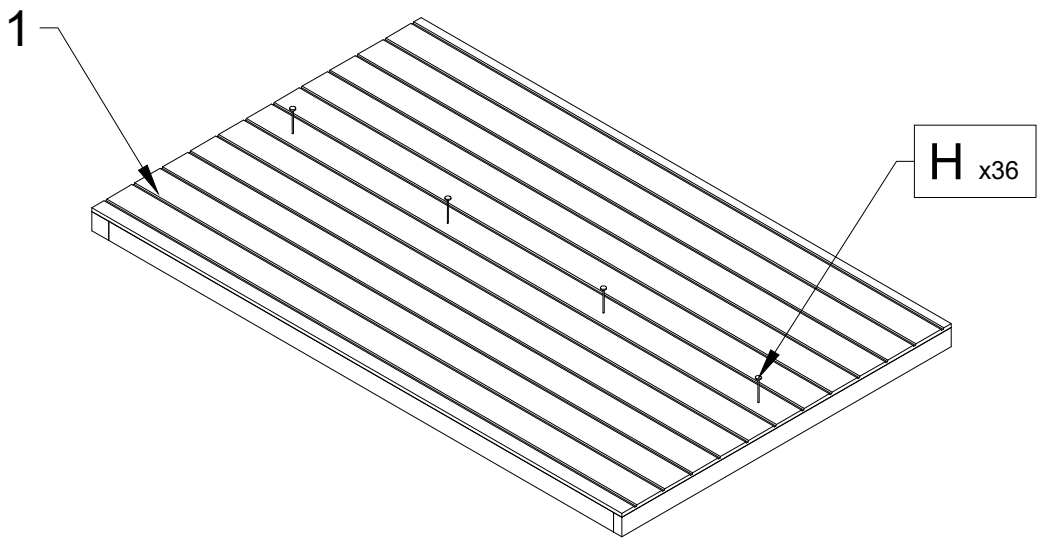
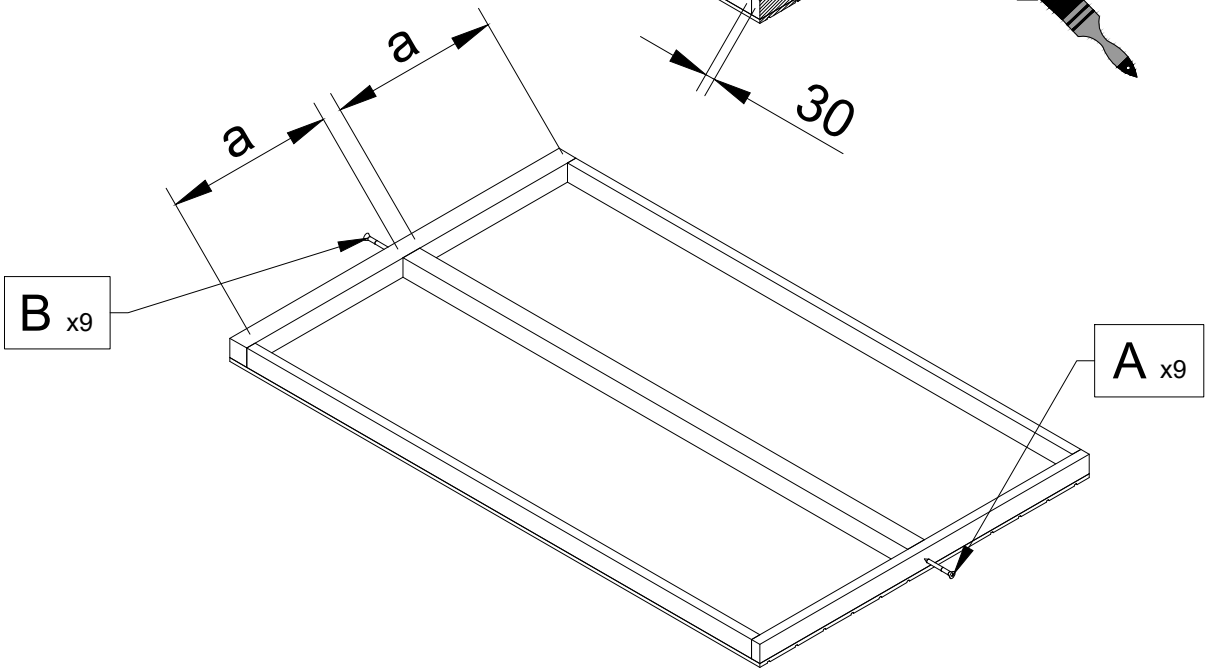
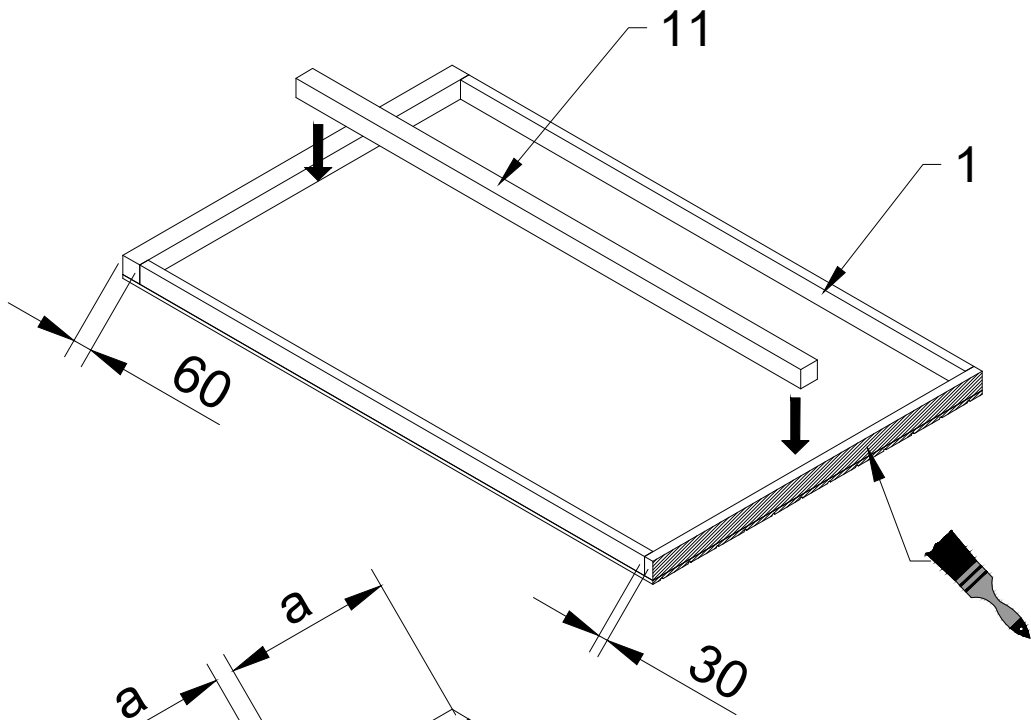
2



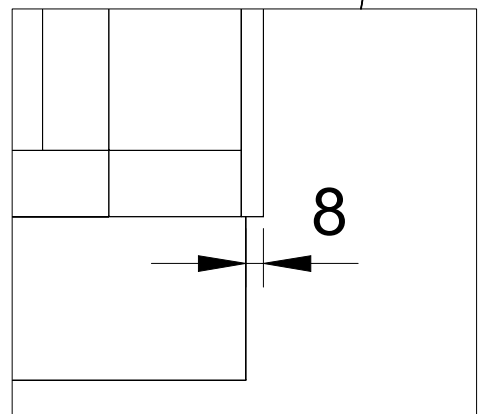
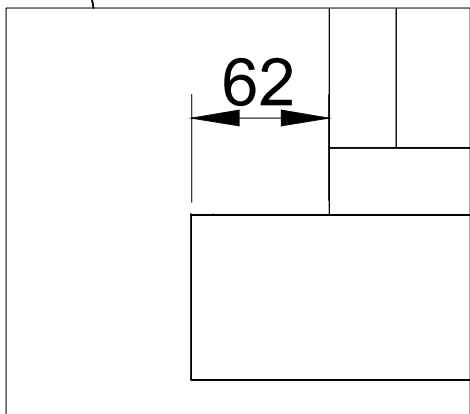
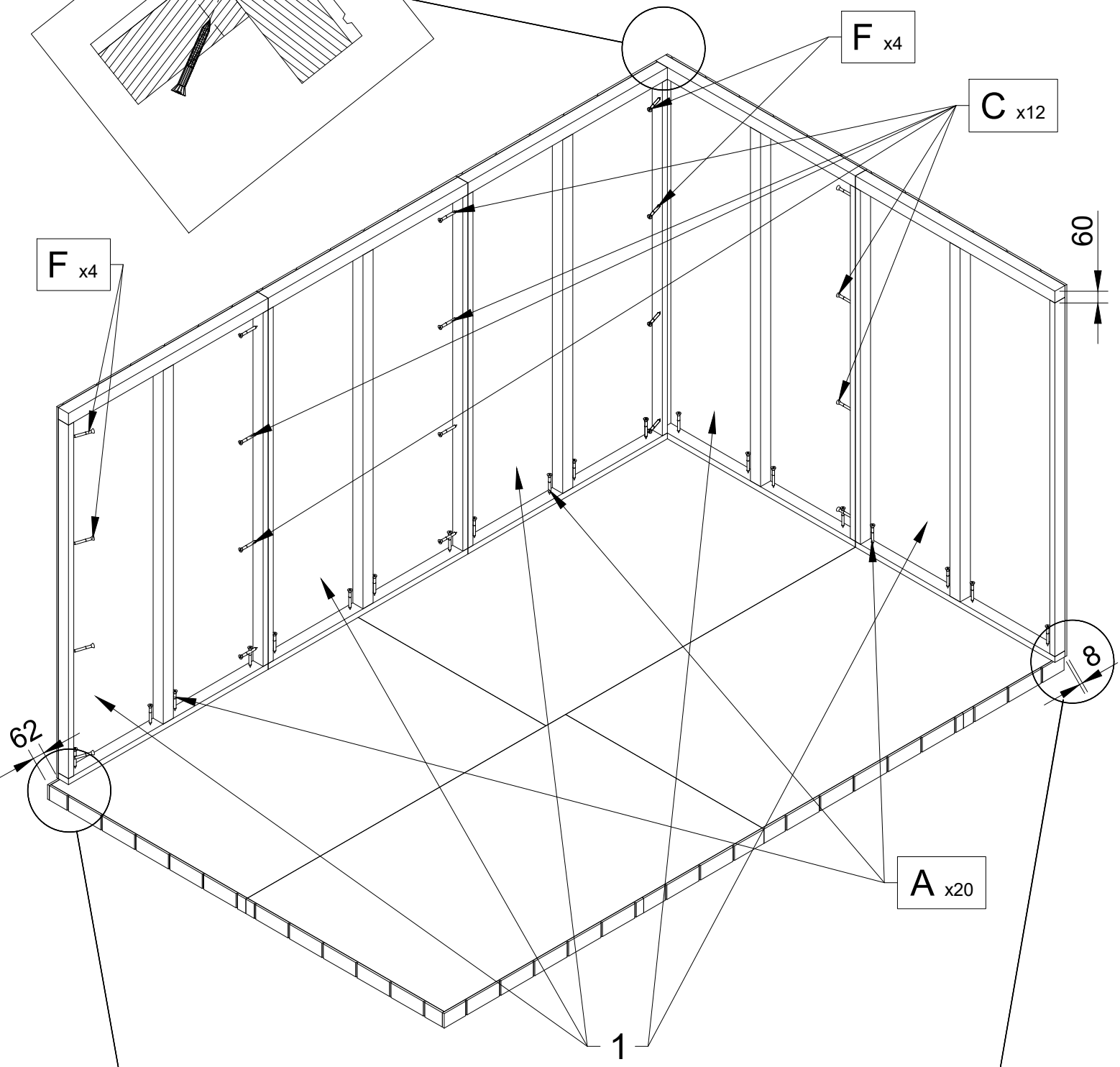
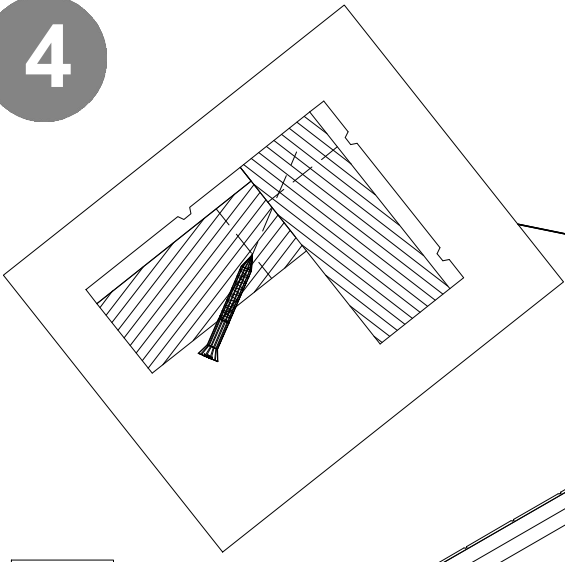
100x100mm runners not included



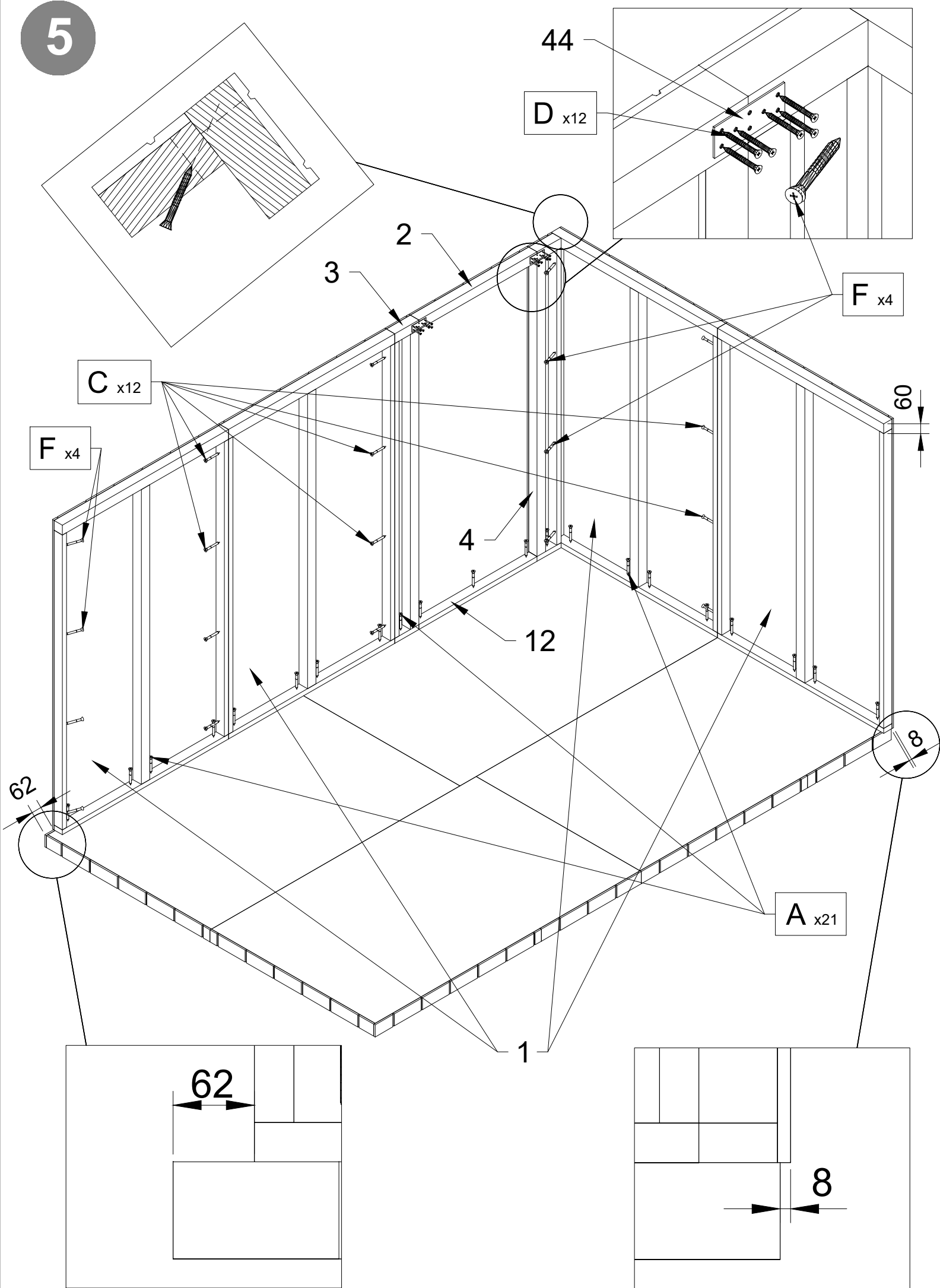
3



4

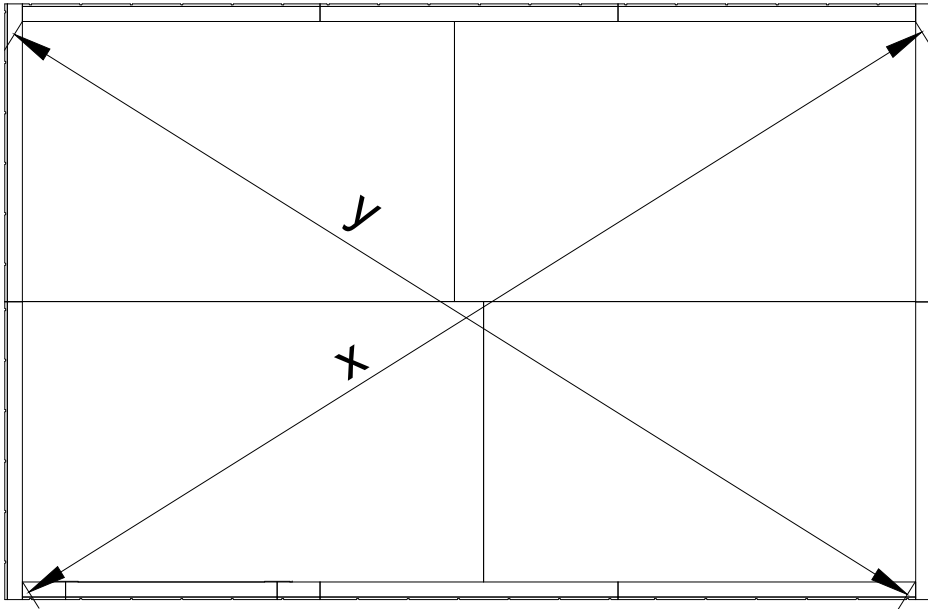


5

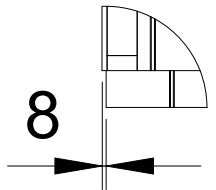


6

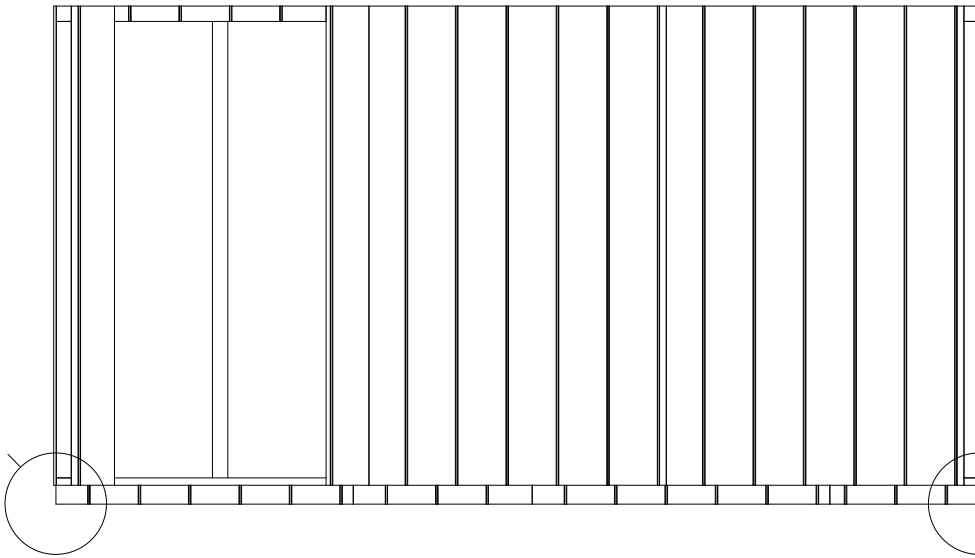
$x=y$



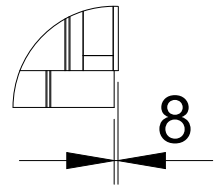
Det A



A

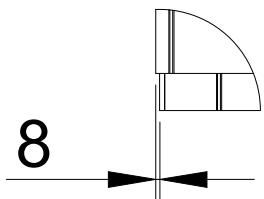


Det B

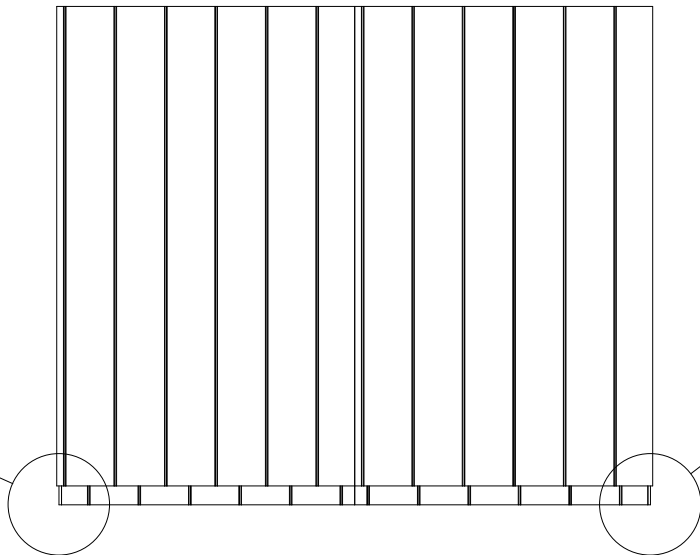


B

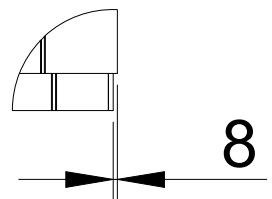
Det C



C

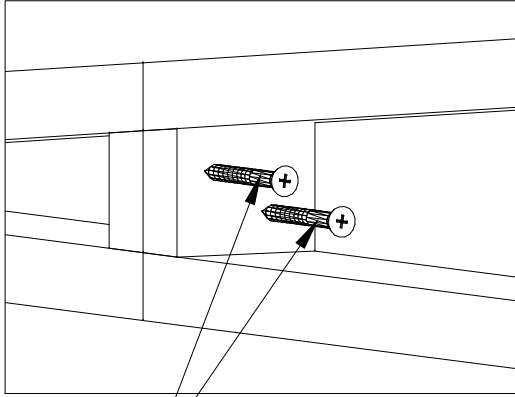
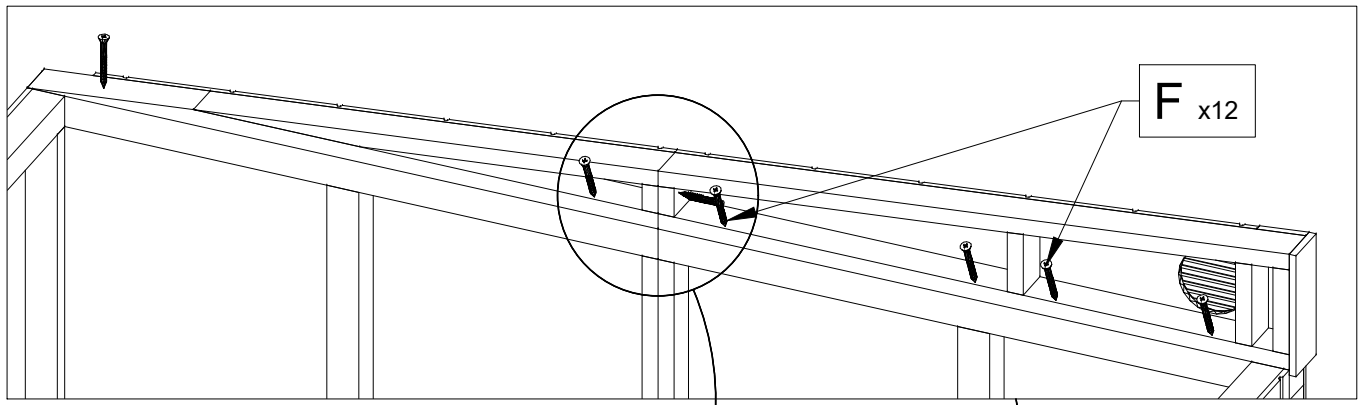


Det D

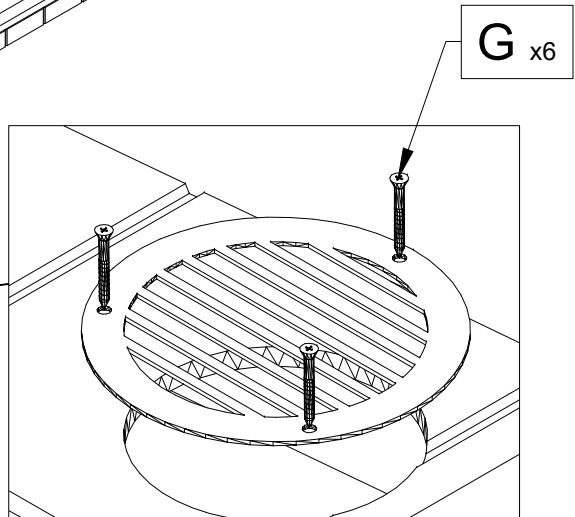
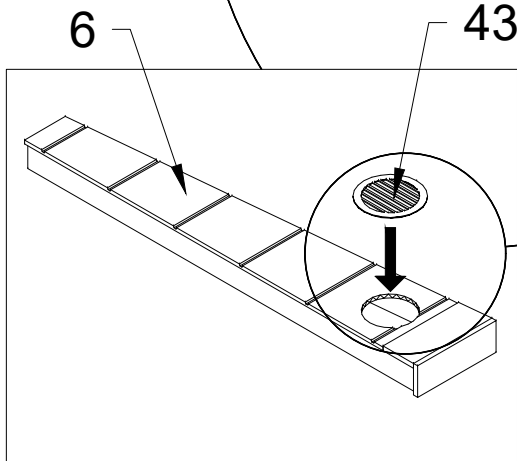
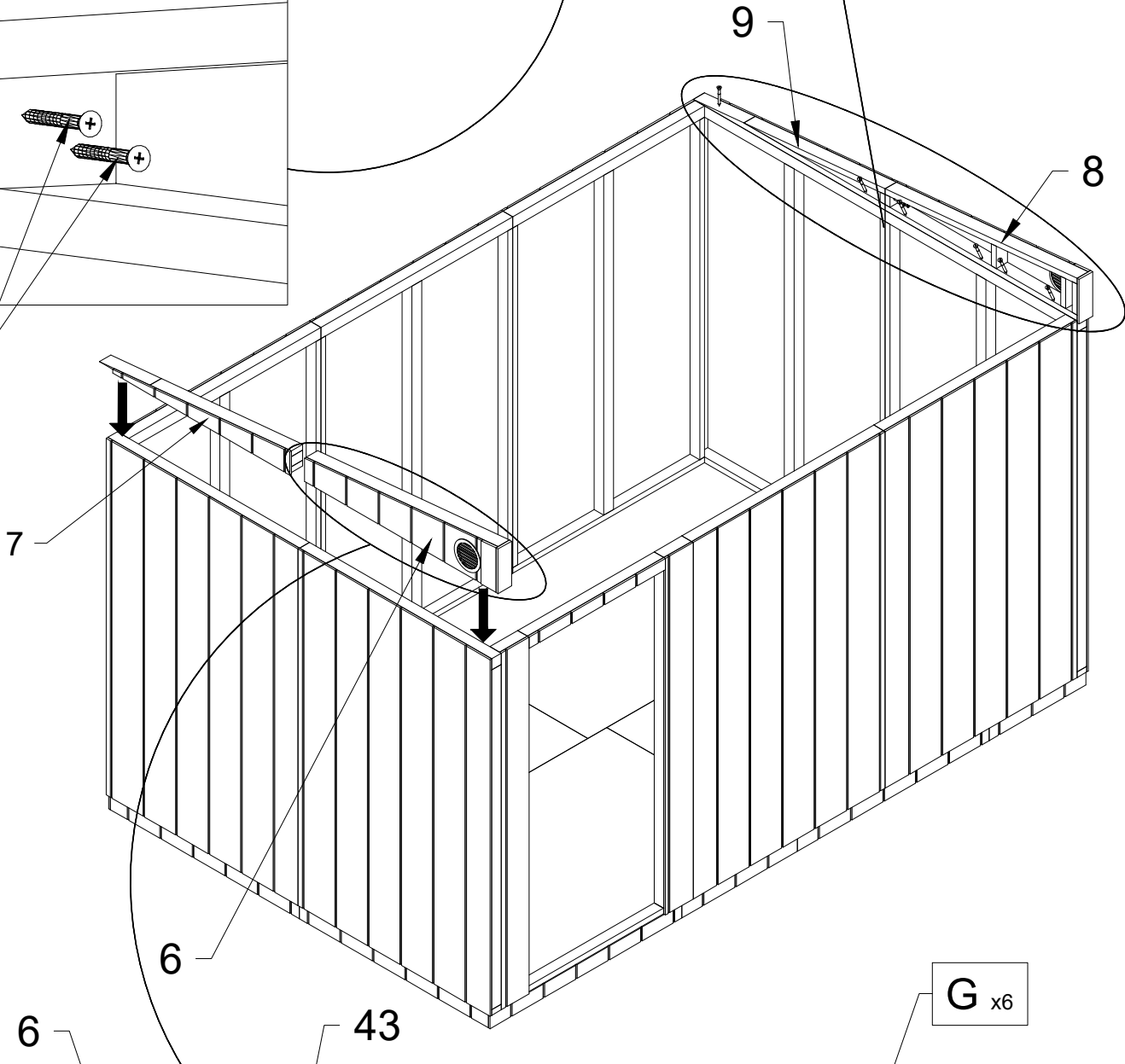


D

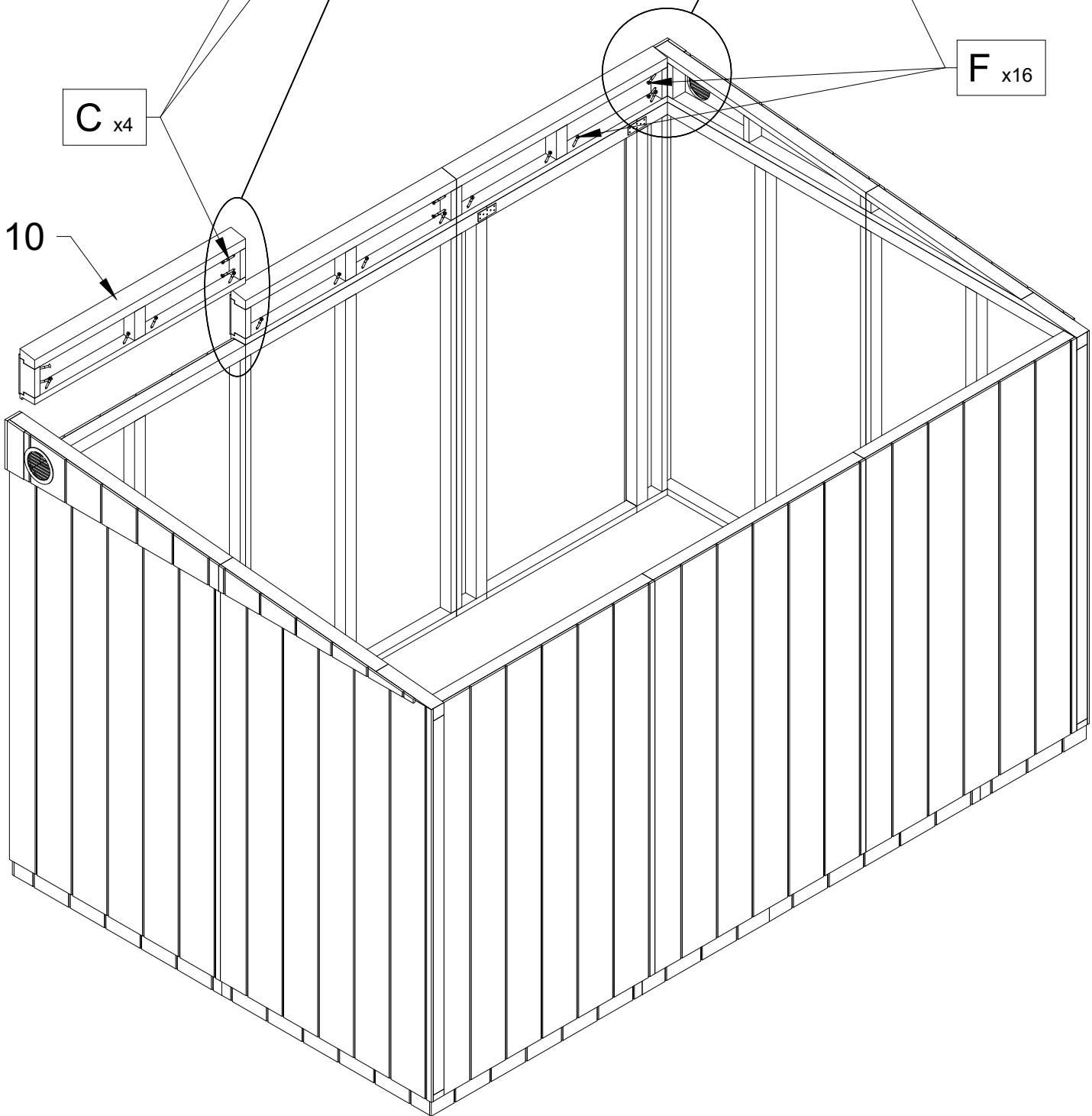
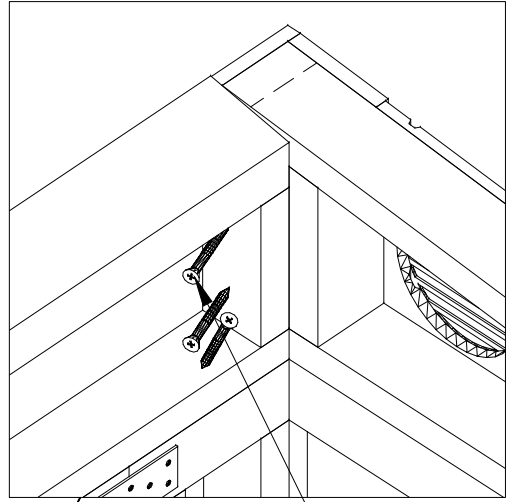
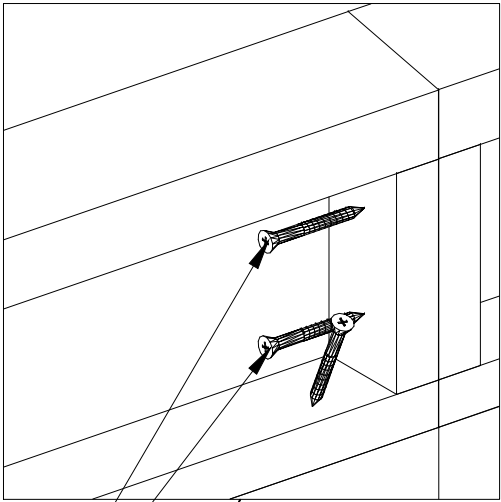
7



C x4



8



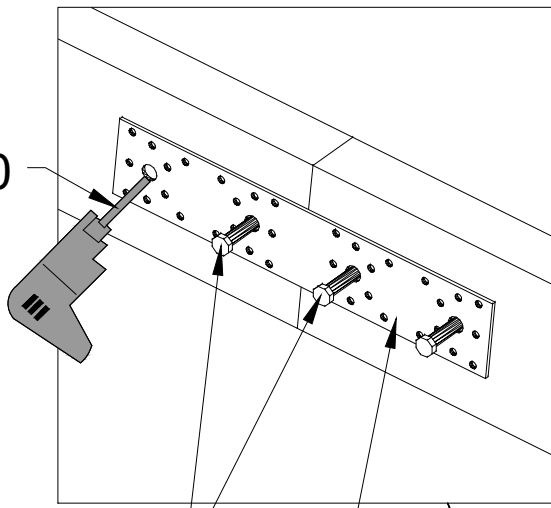
C x4

F x16

10

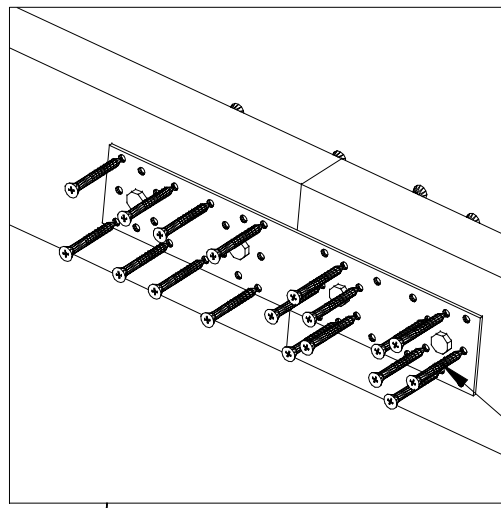
9

Ø10

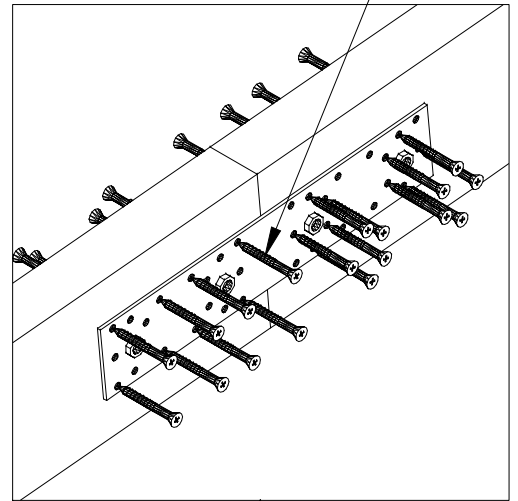


L x28

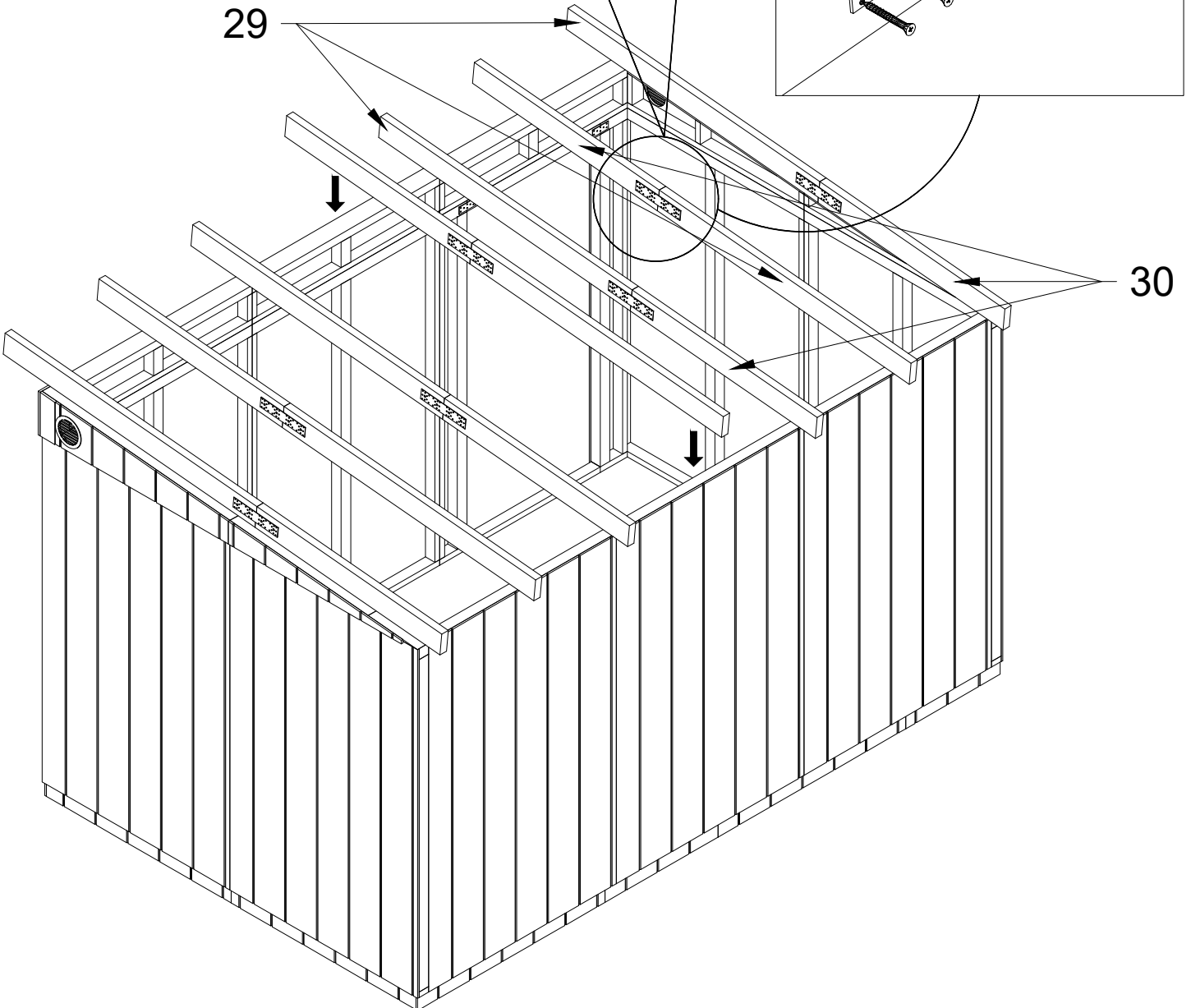
45



E x252

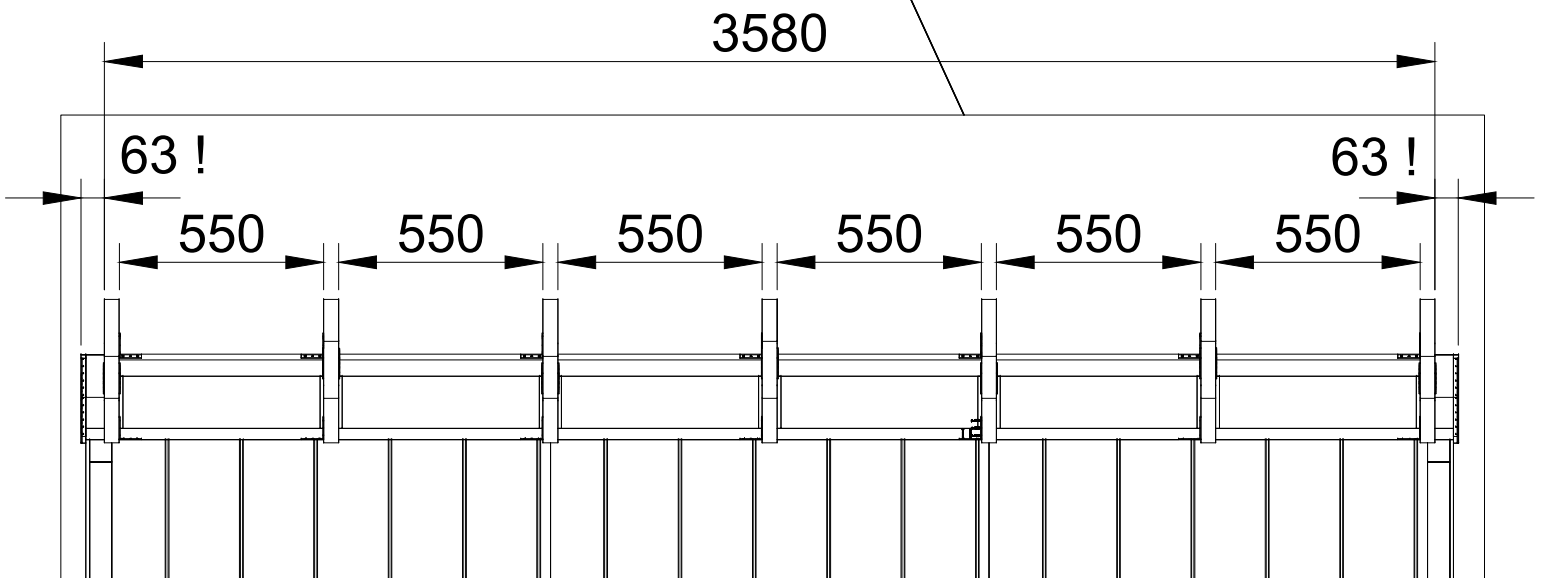
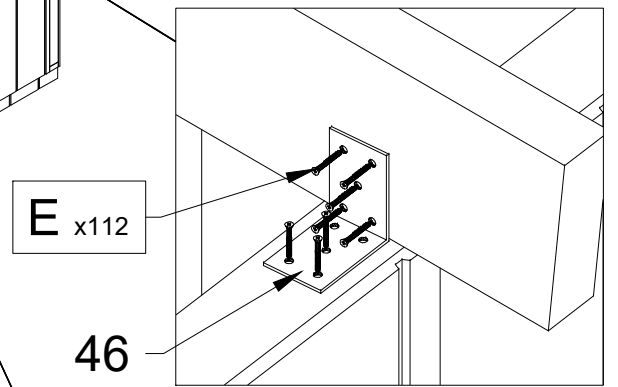
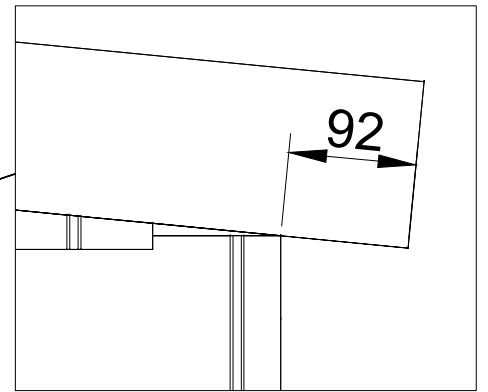
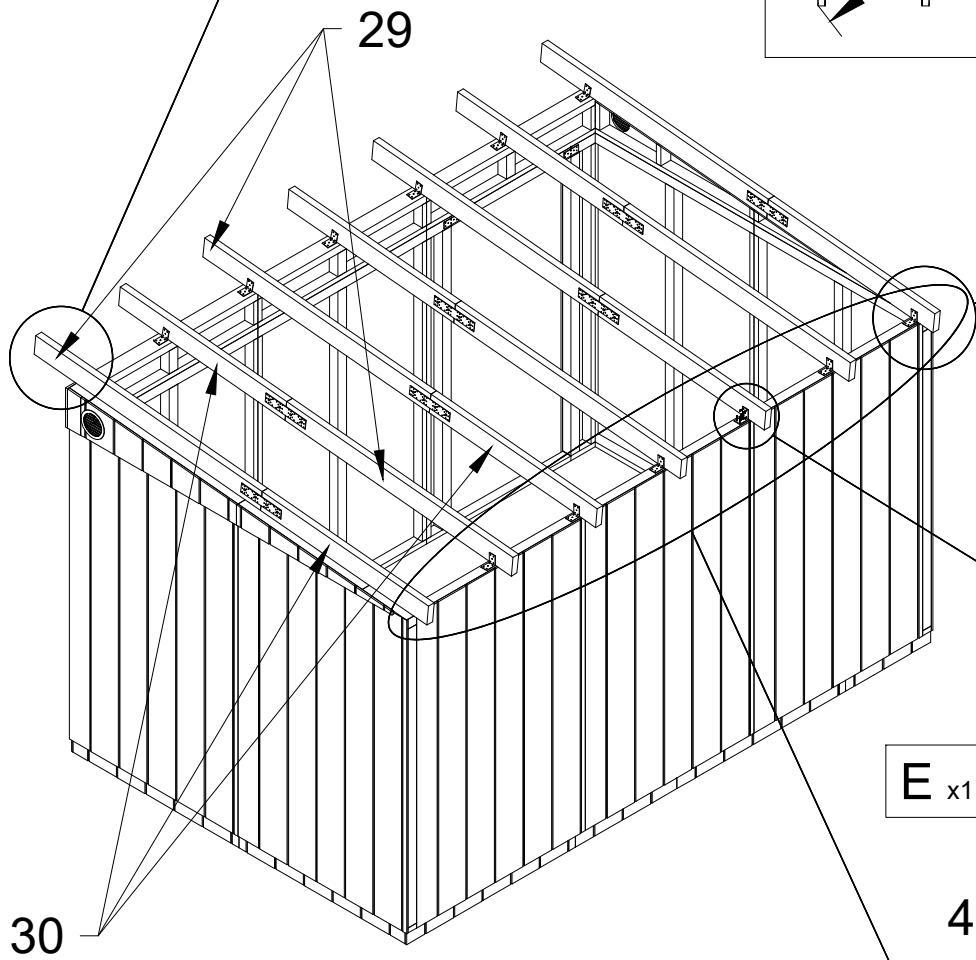
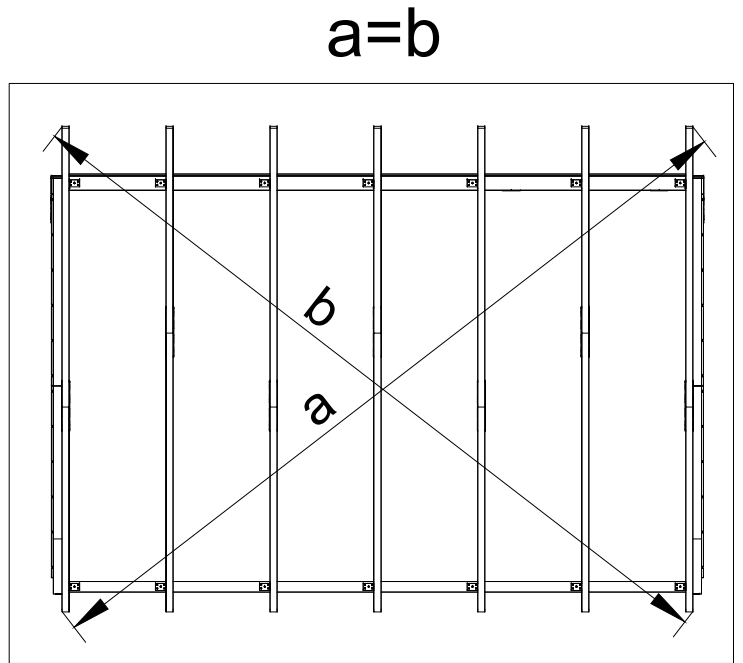
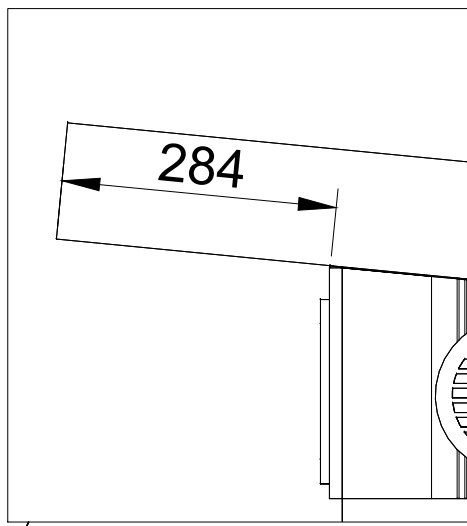


29

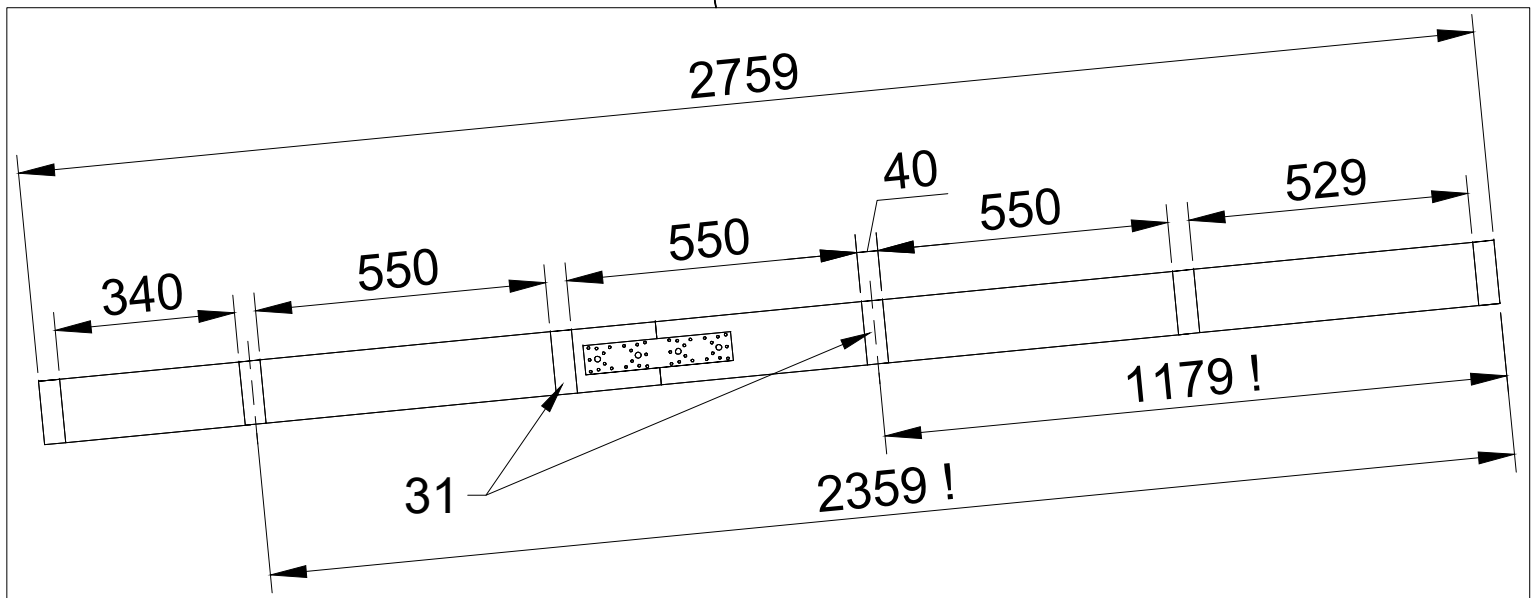
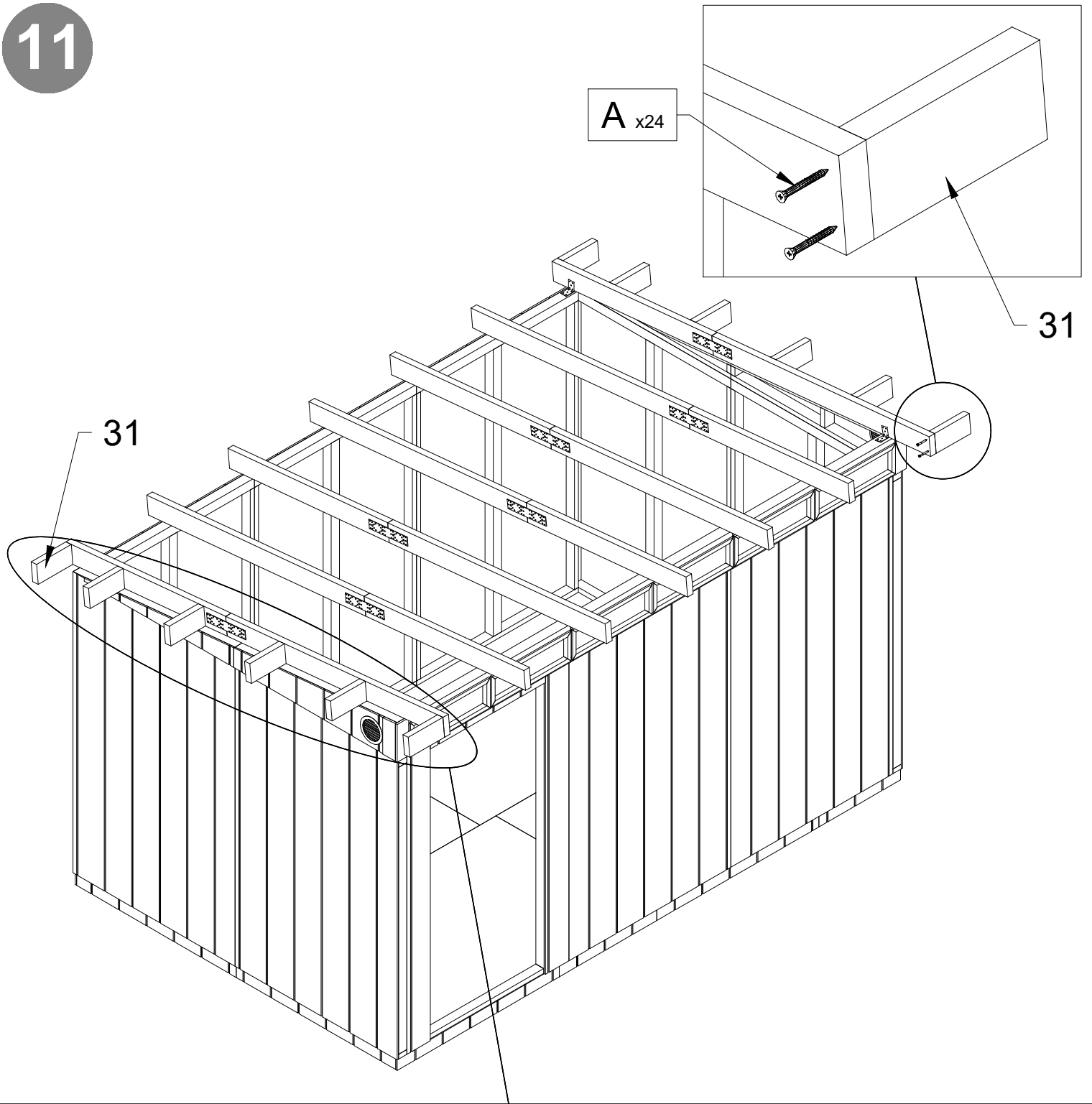


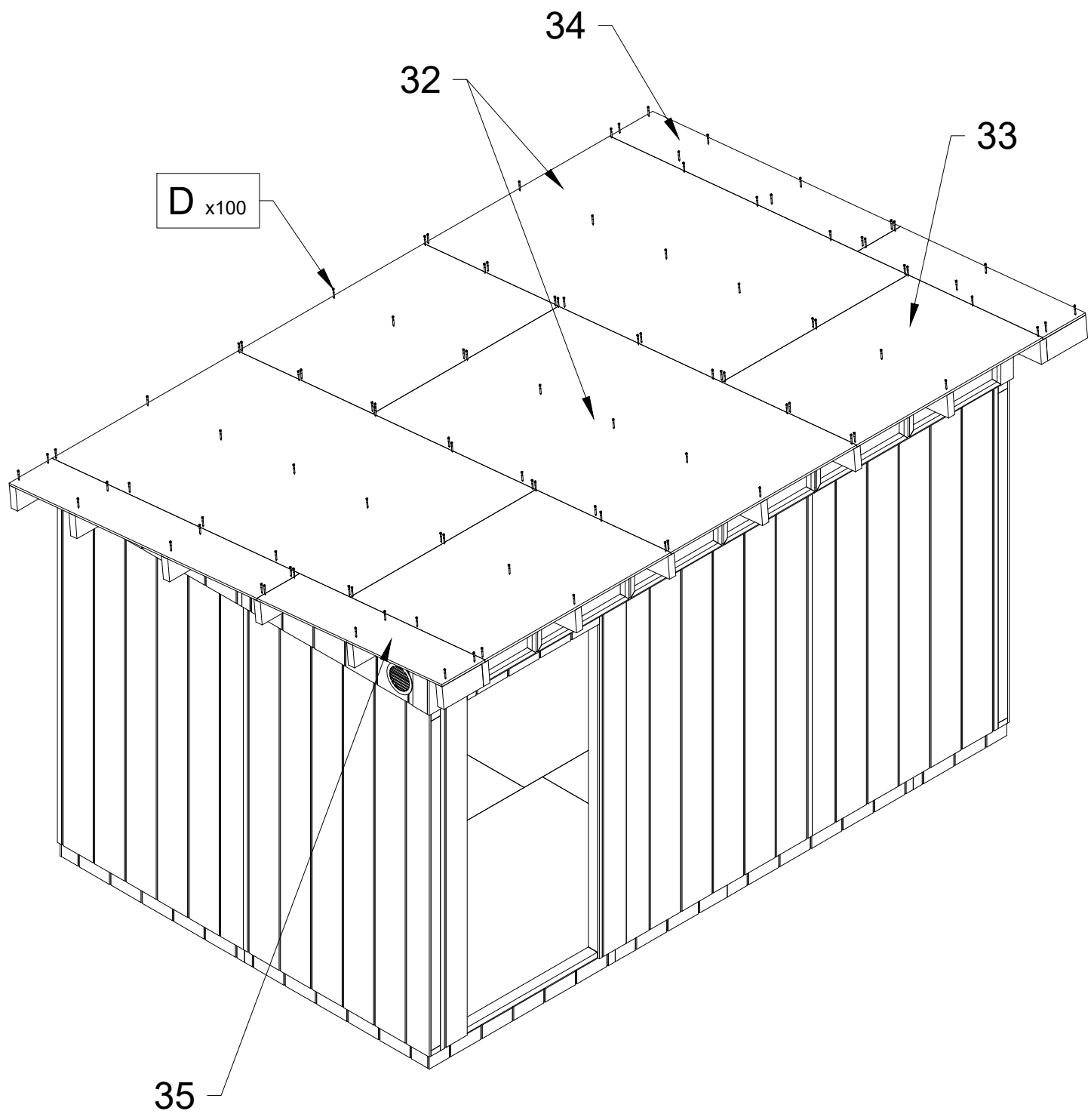
30

10

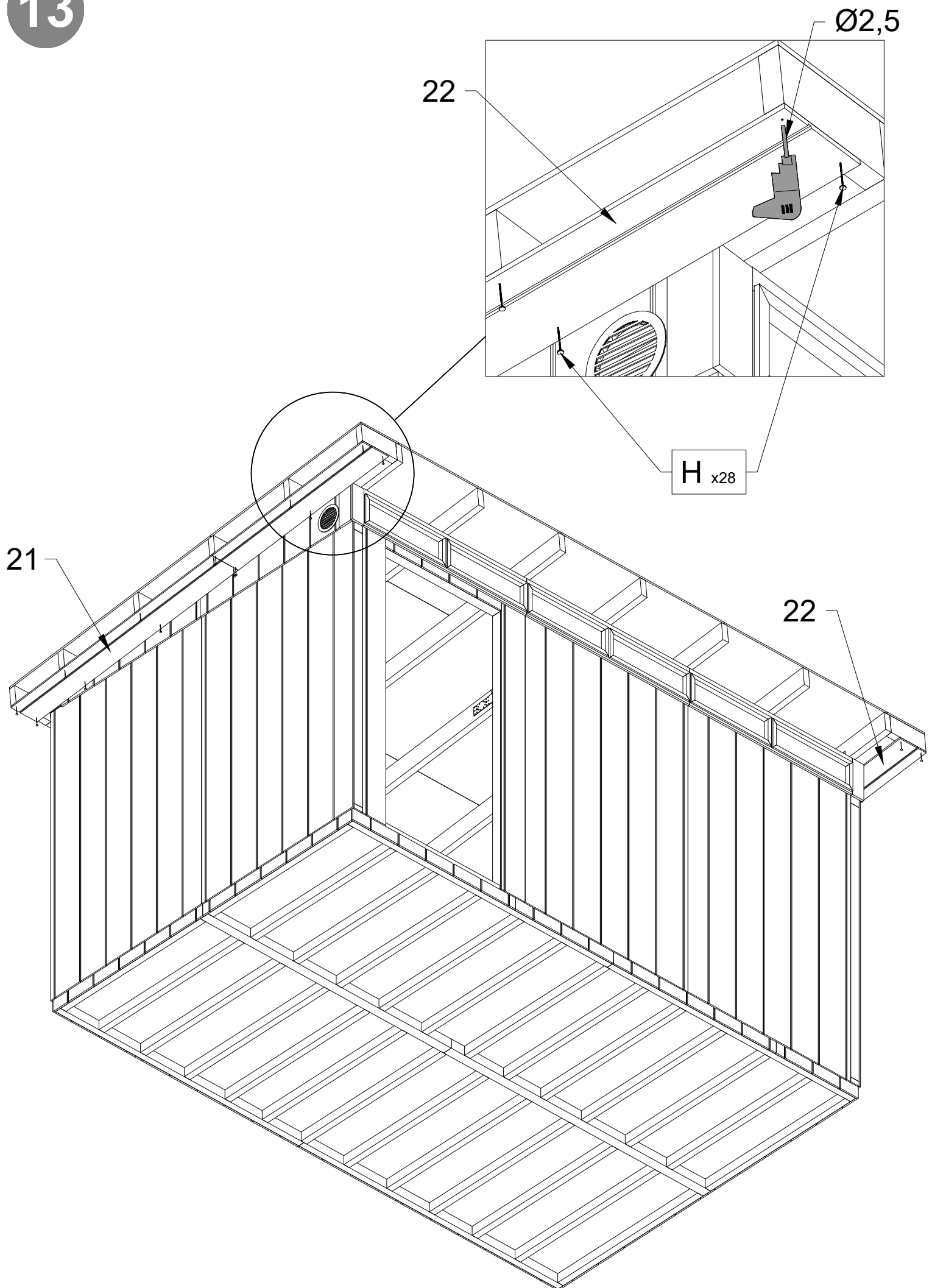


11

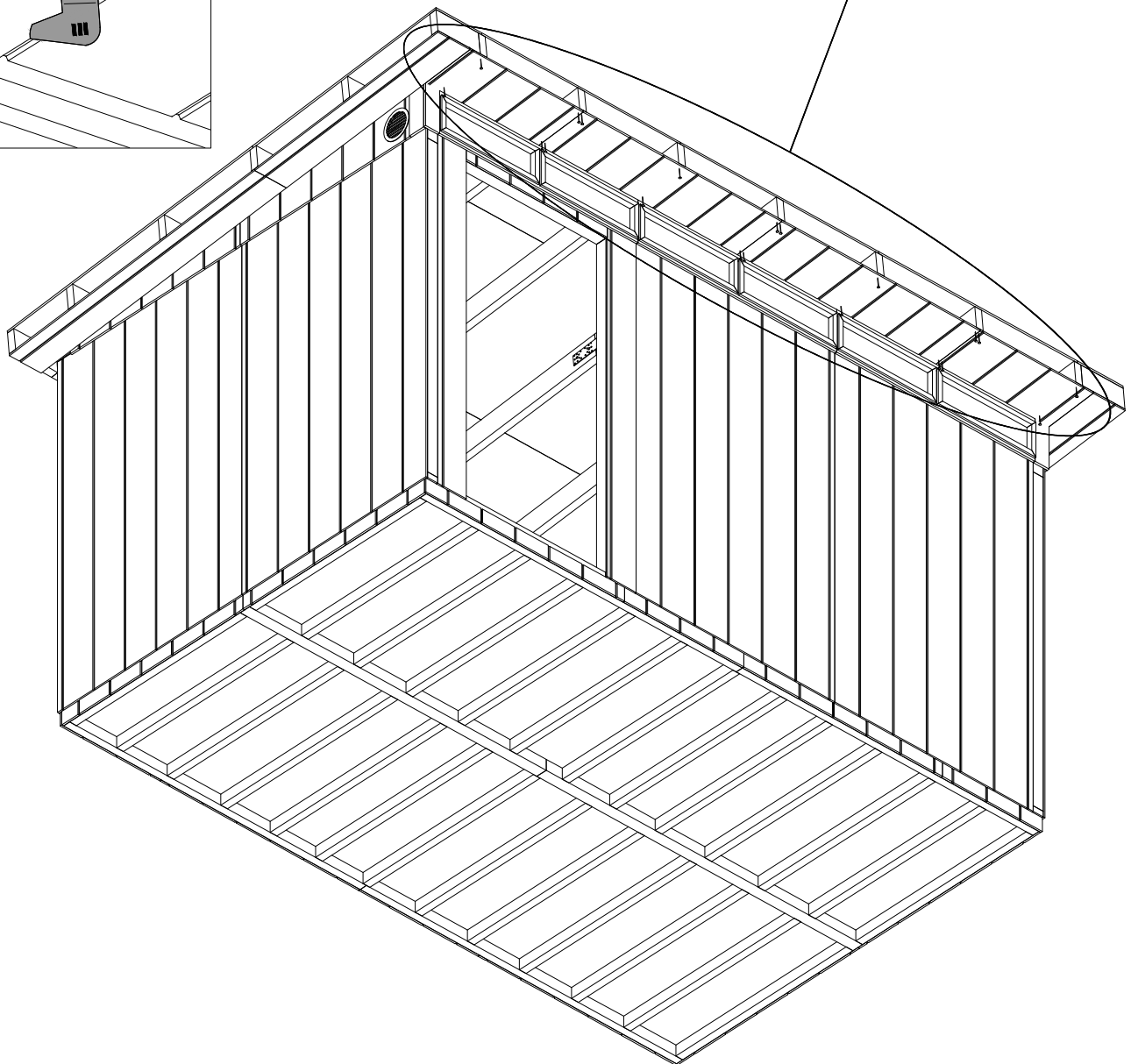
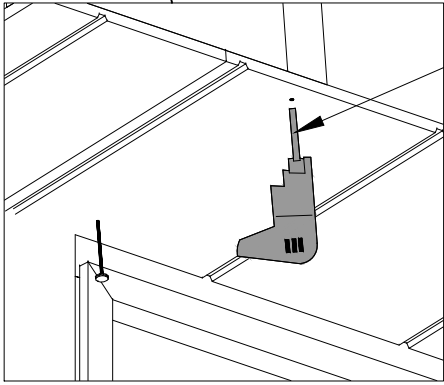
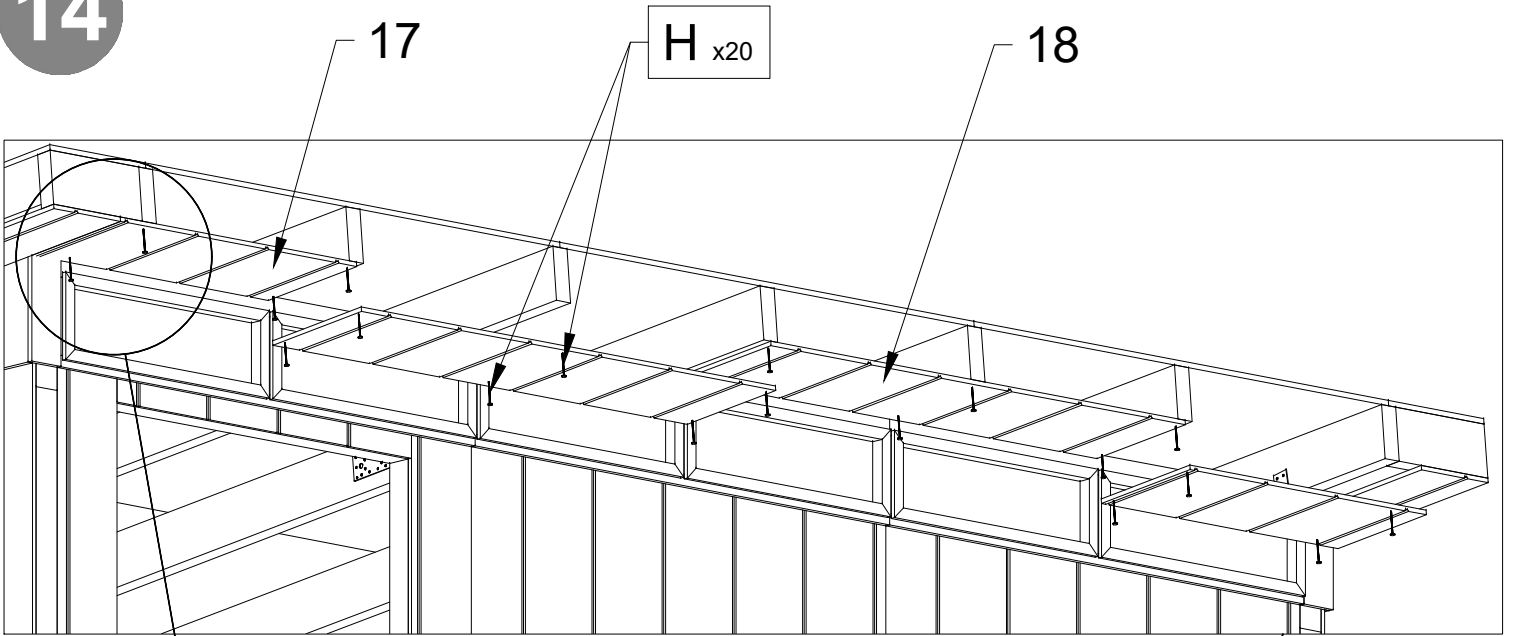




13



14

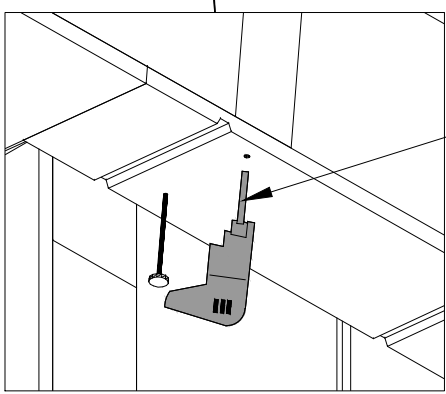
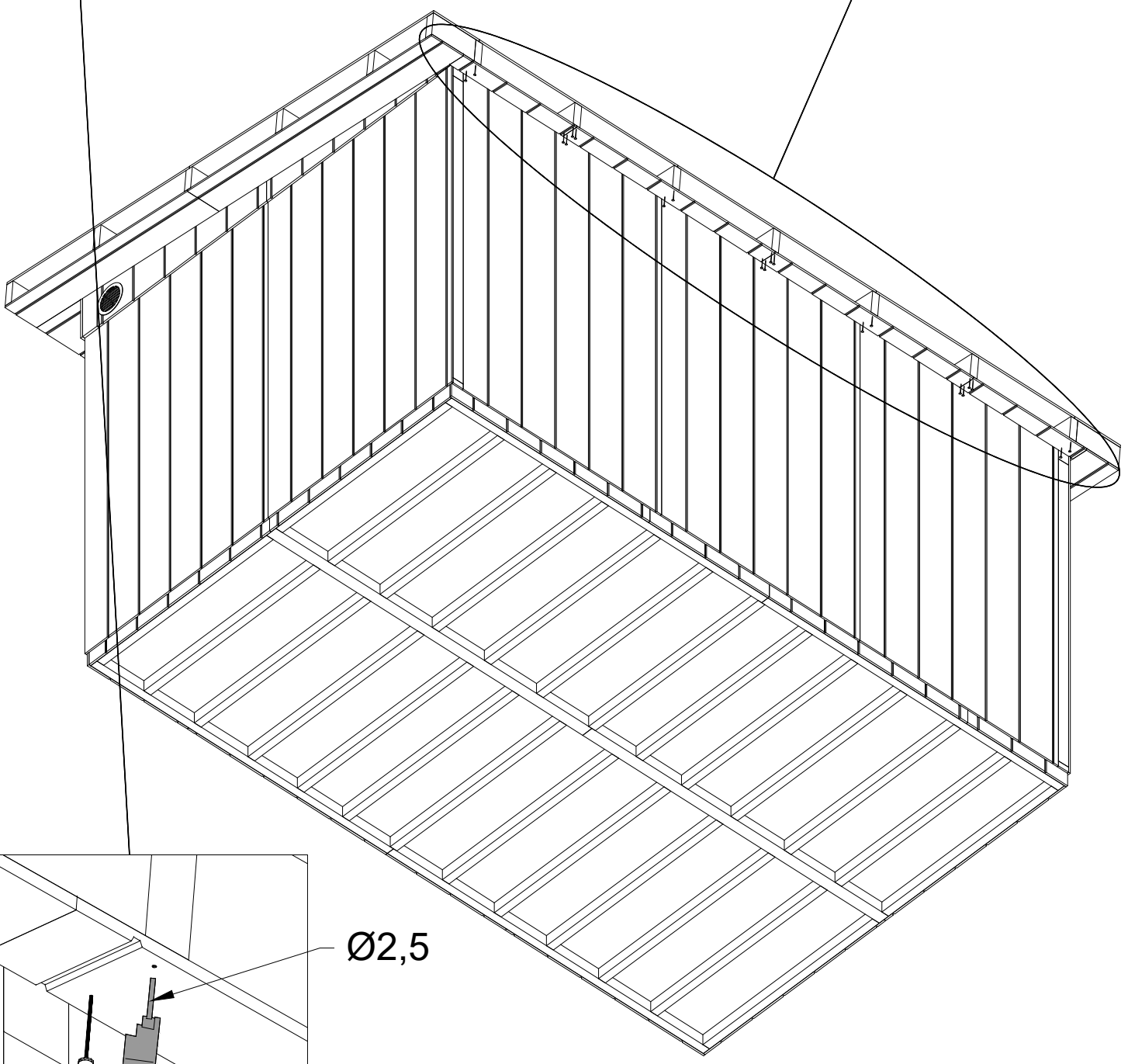
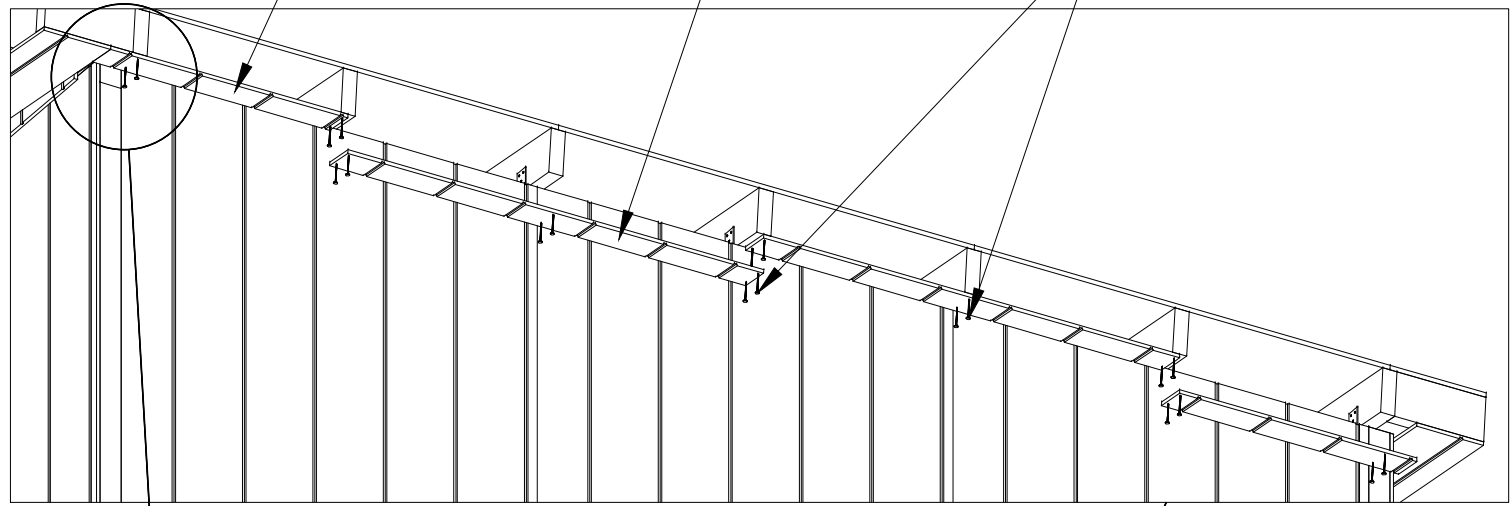


15

19

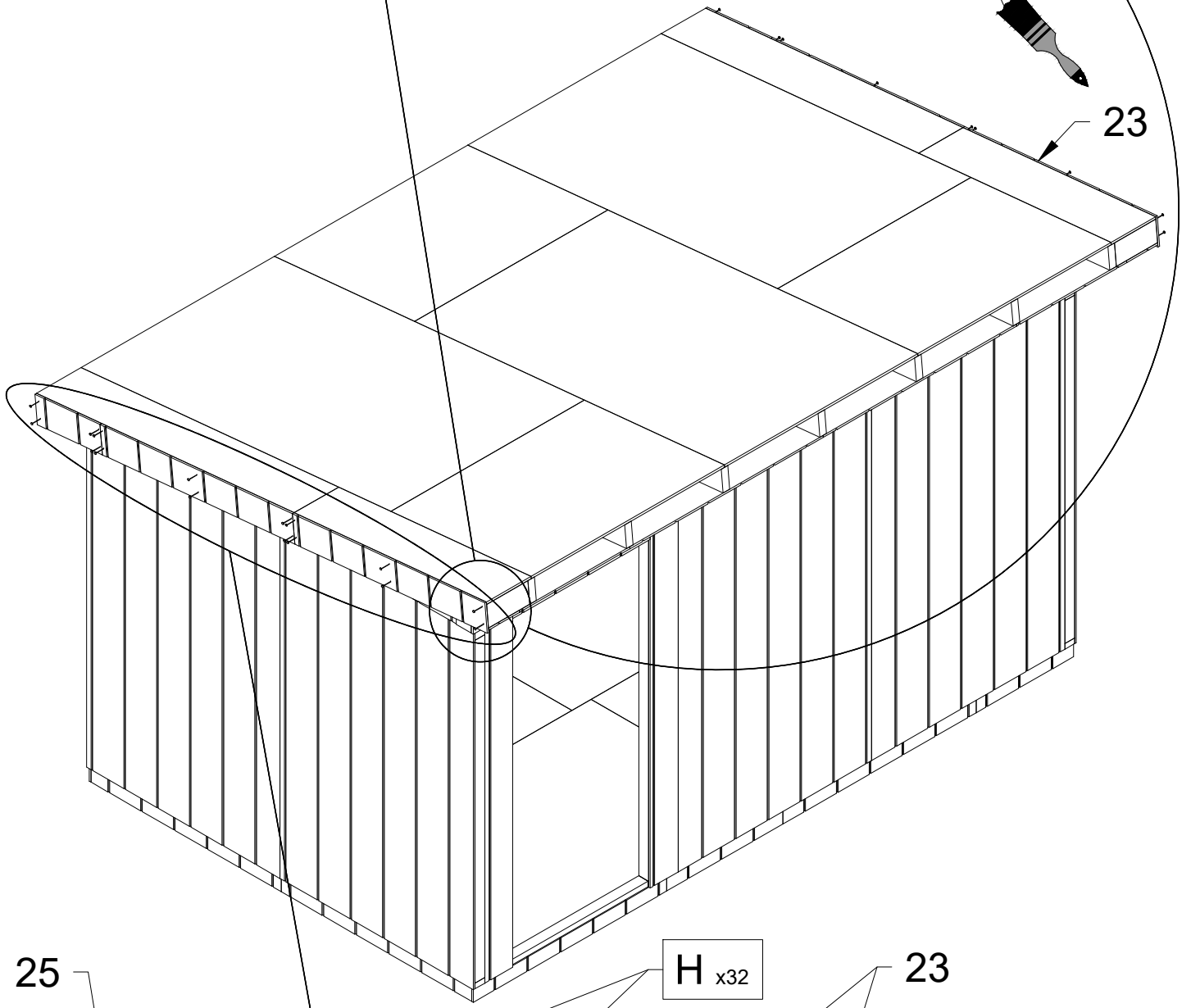
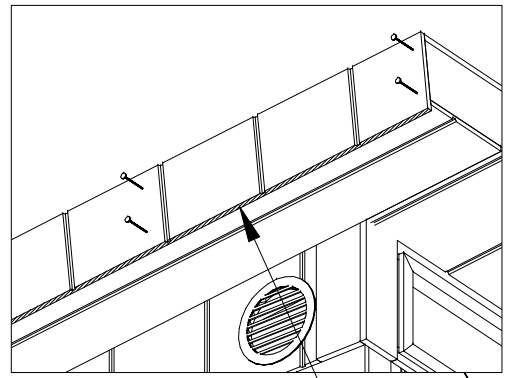
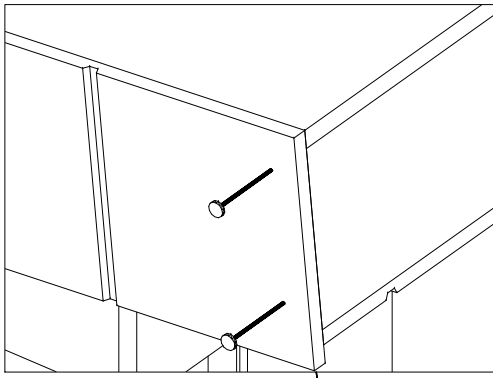
20

H x20



Ø2,5

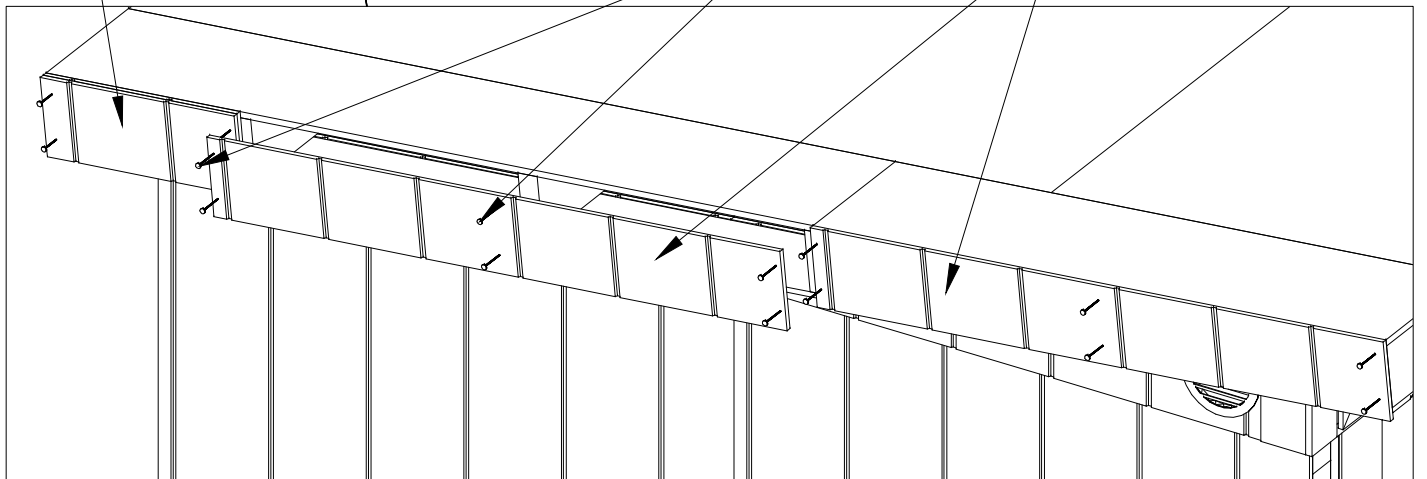
16



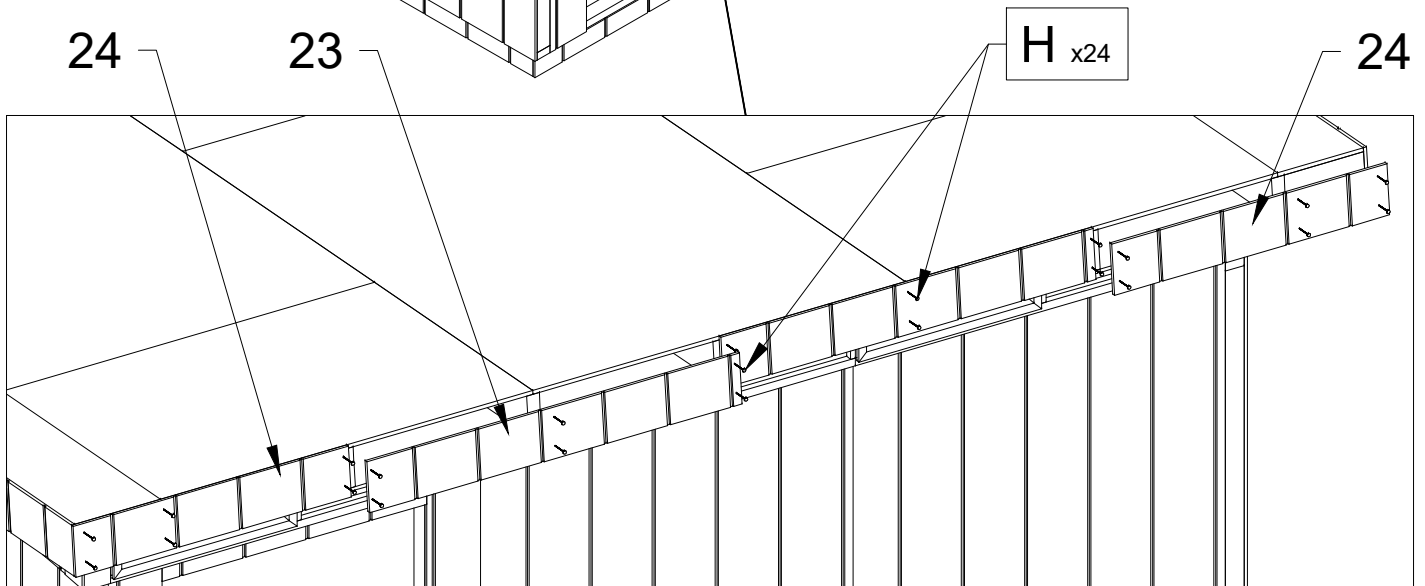
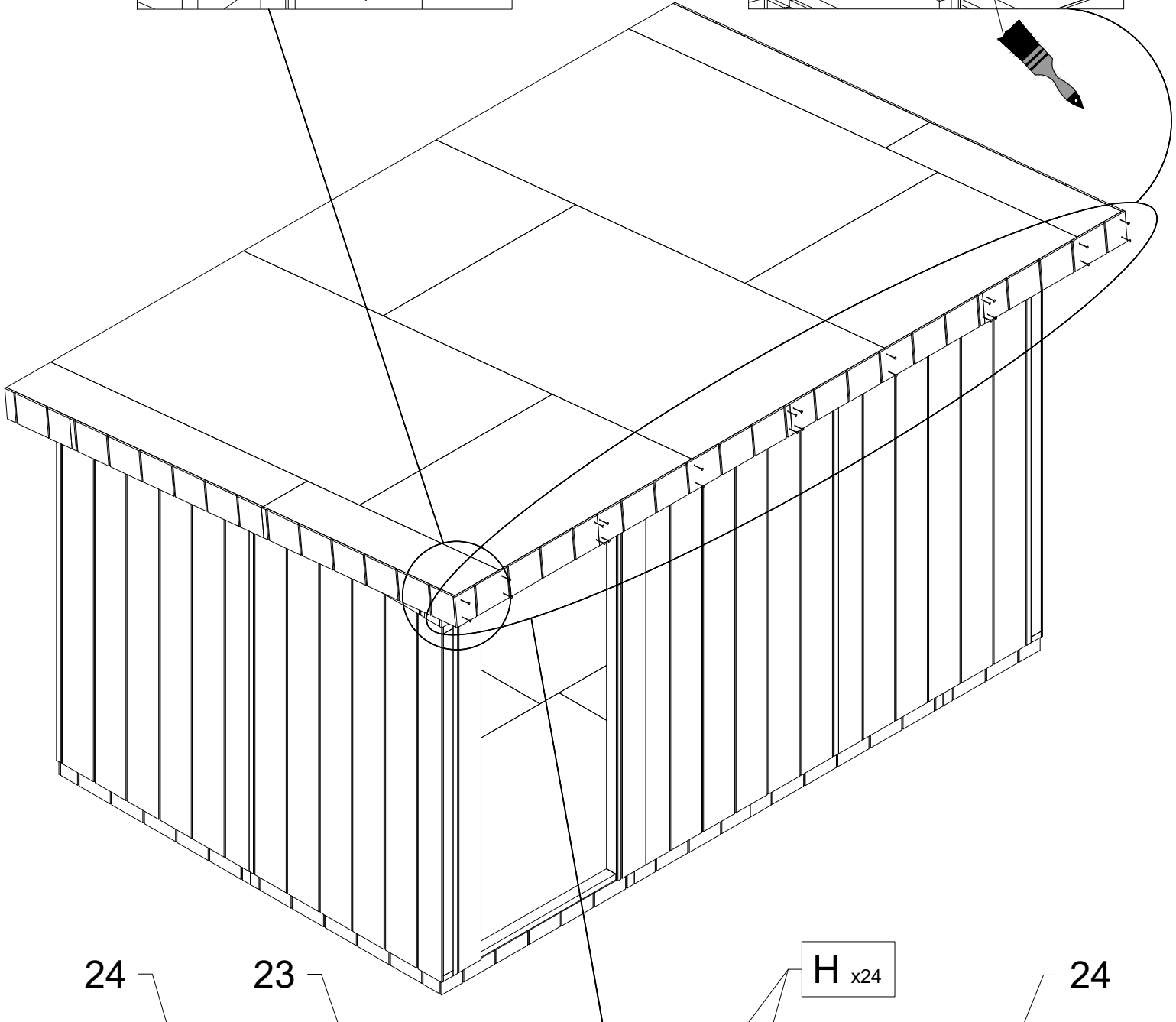
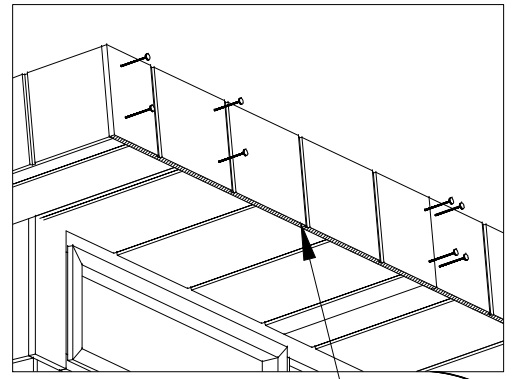
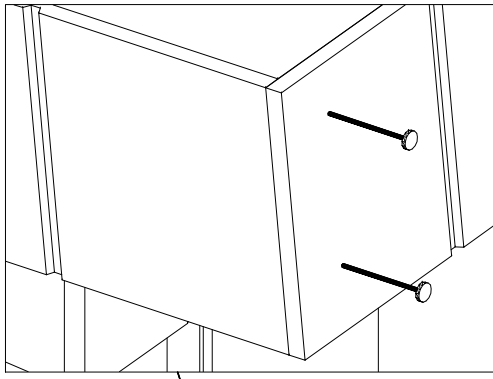
H x32

25

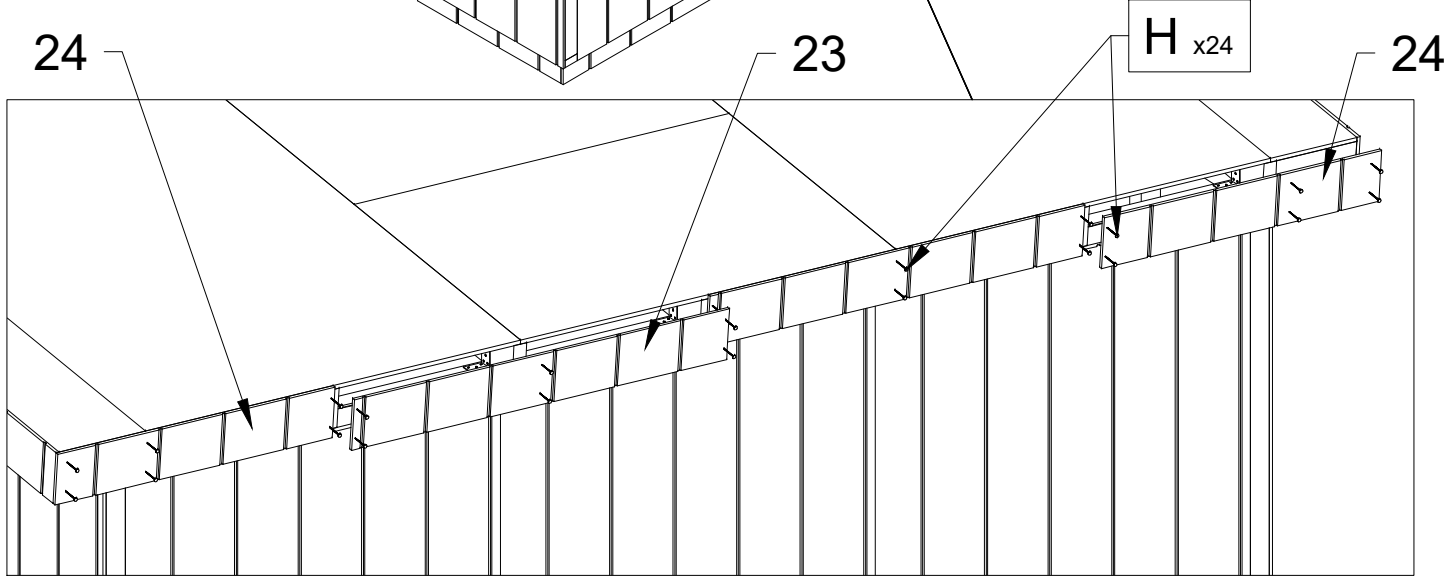
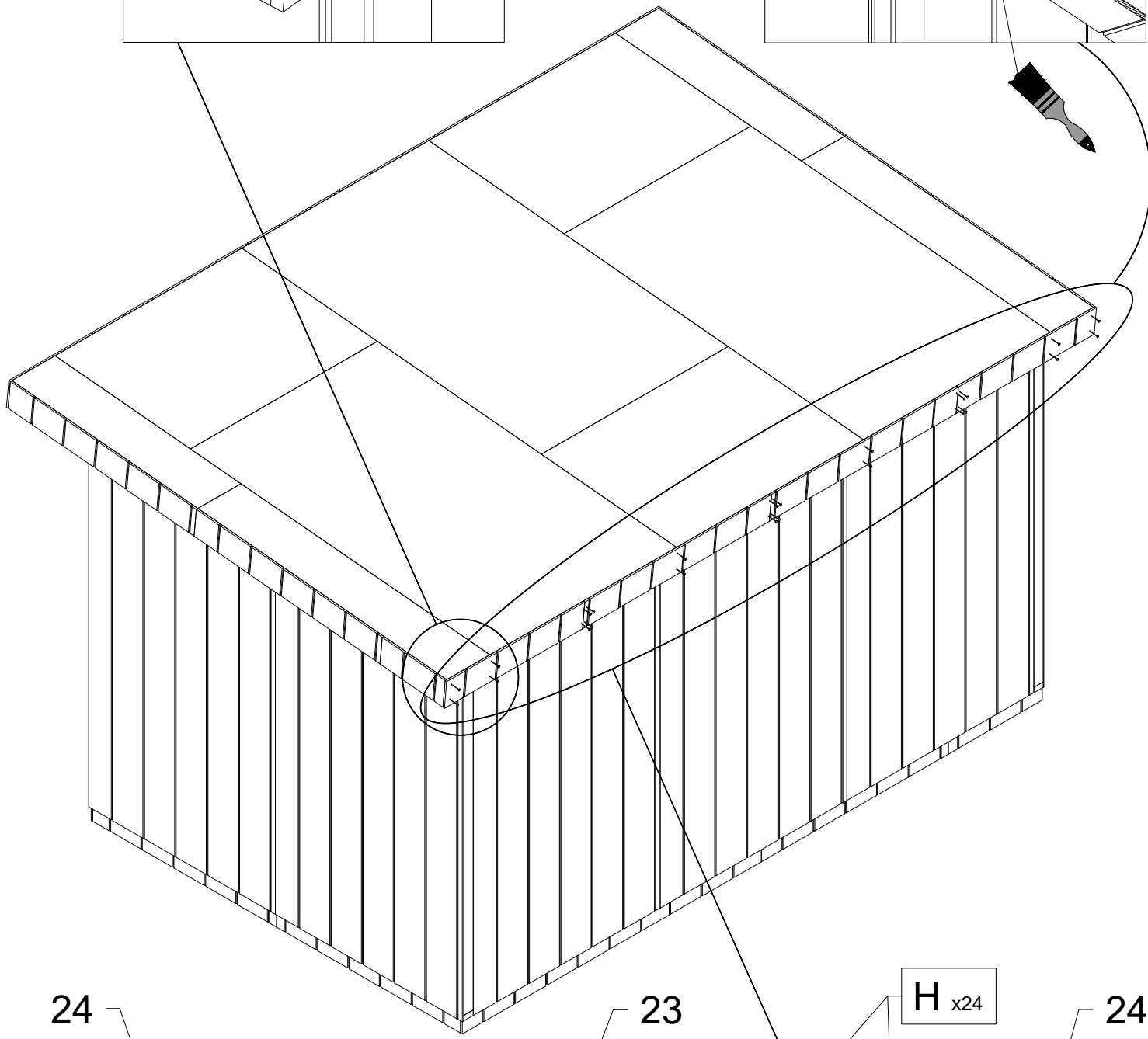
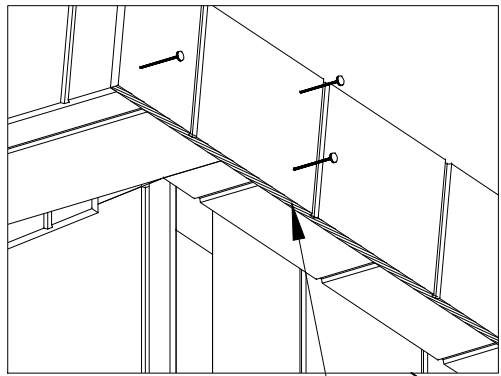
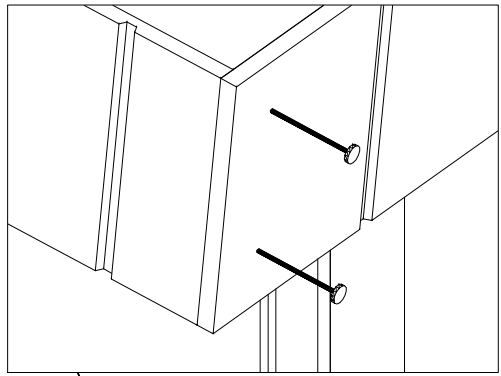
23

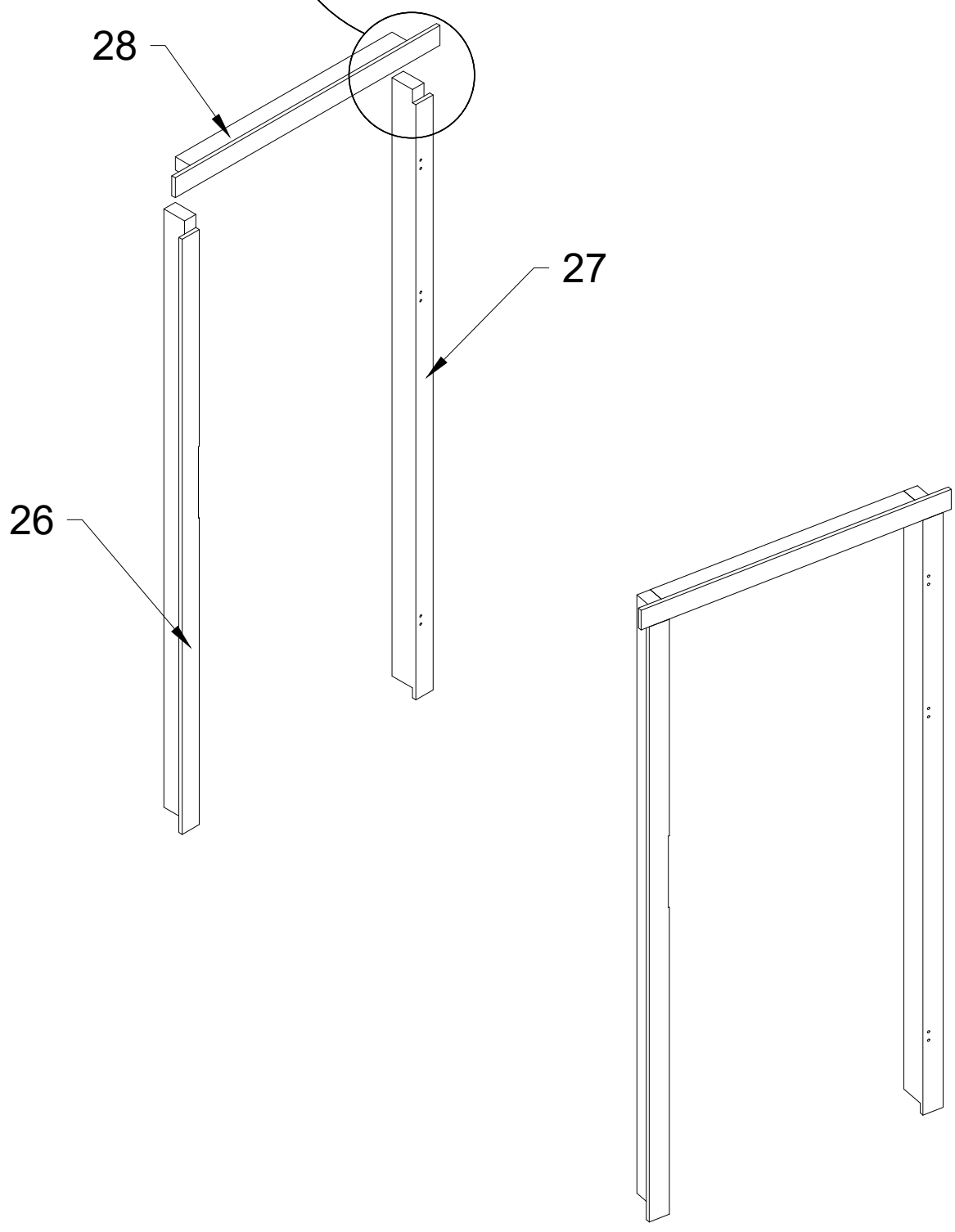
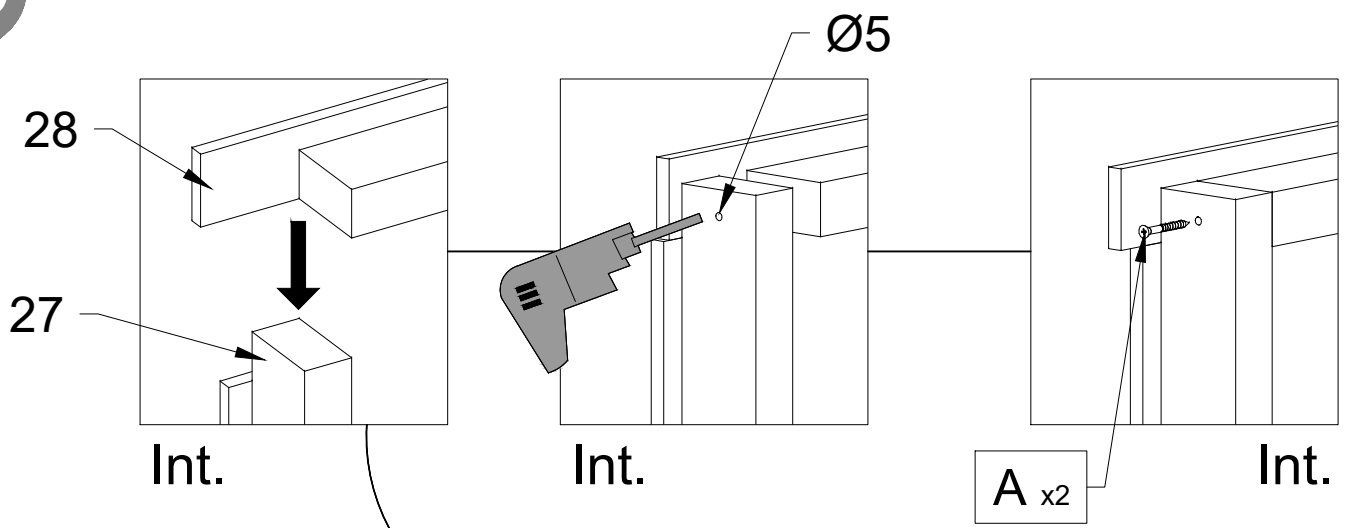


17

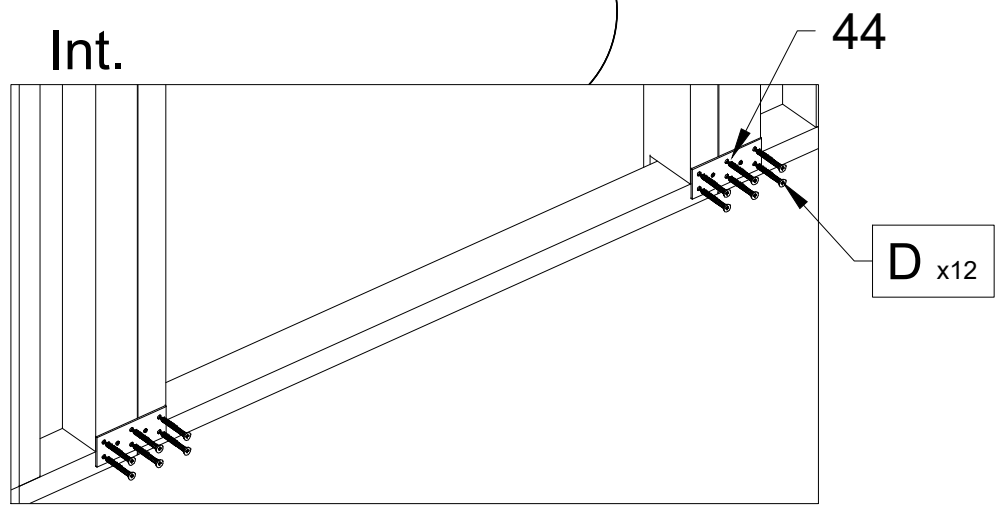
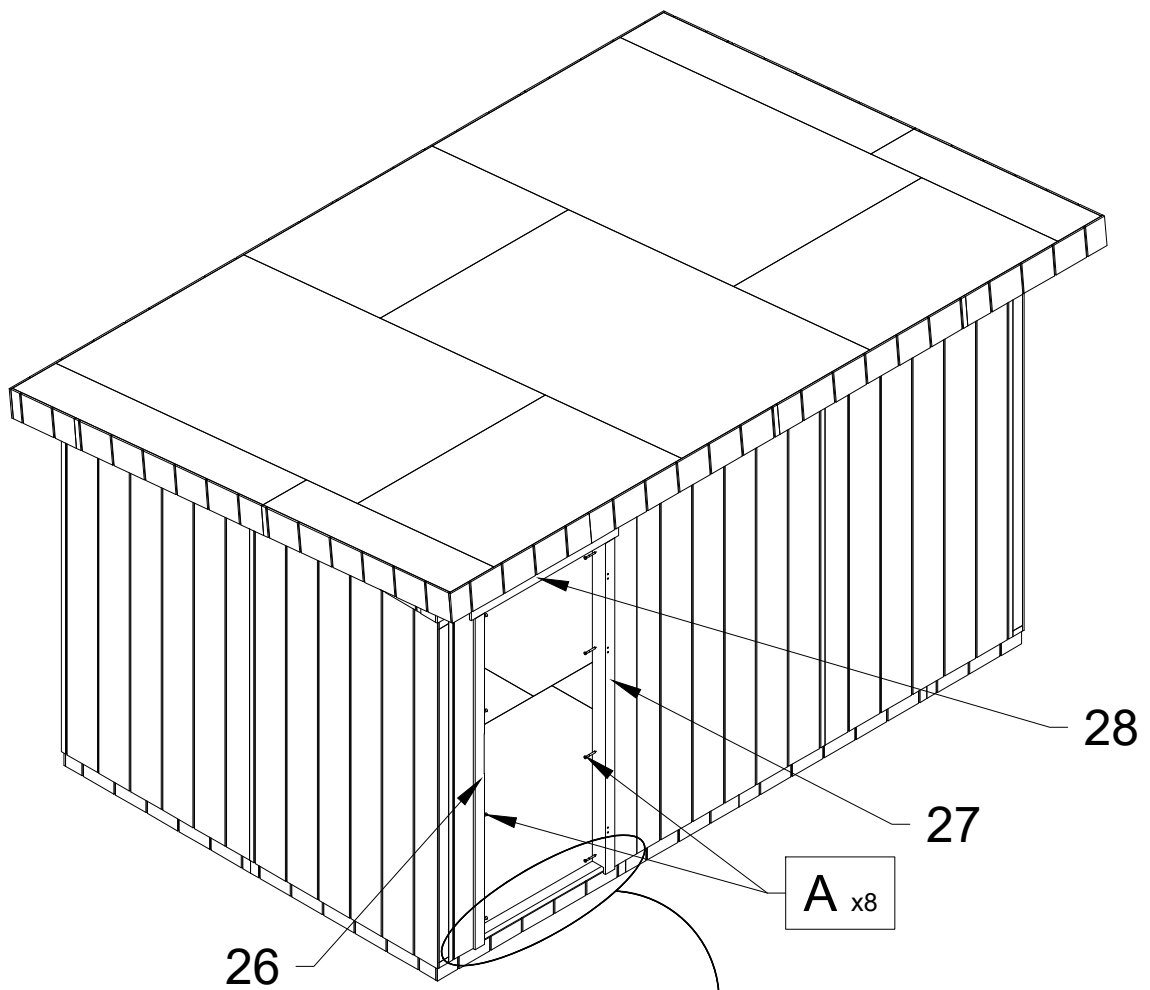
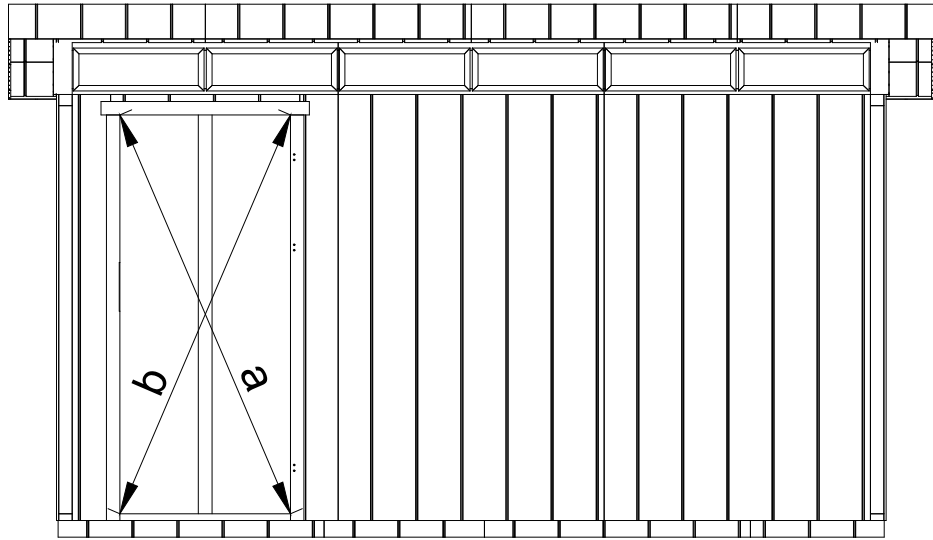


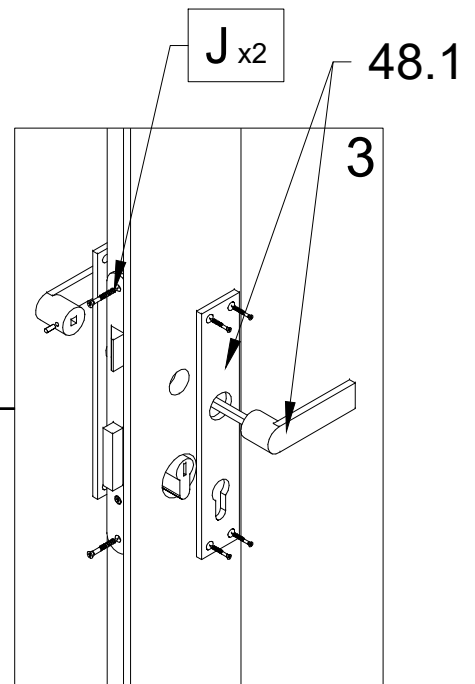
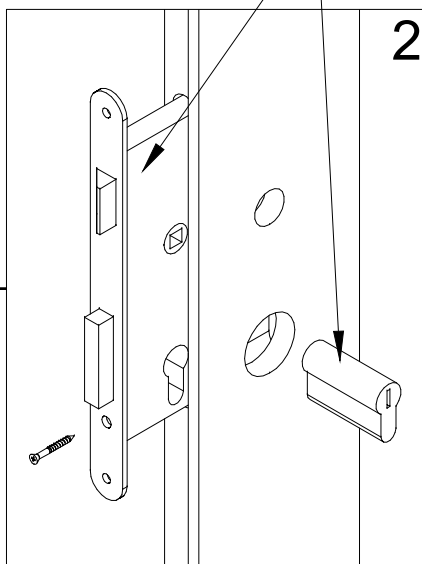
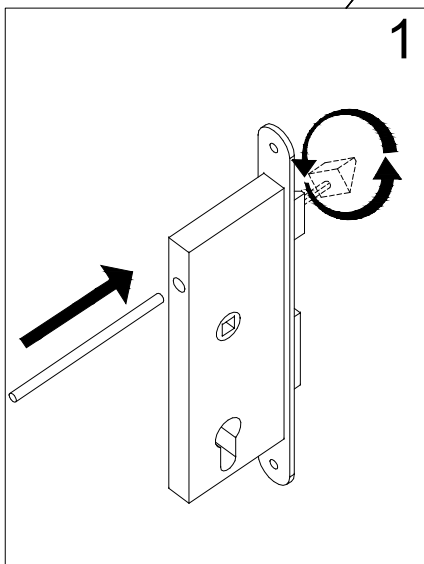
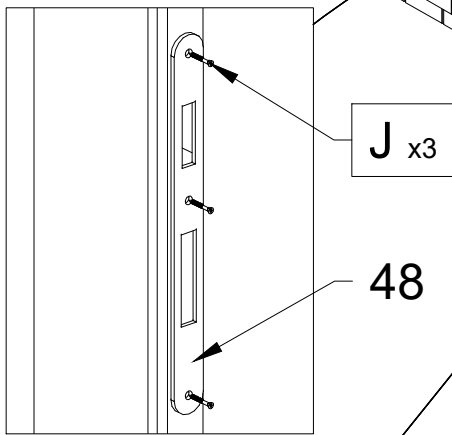
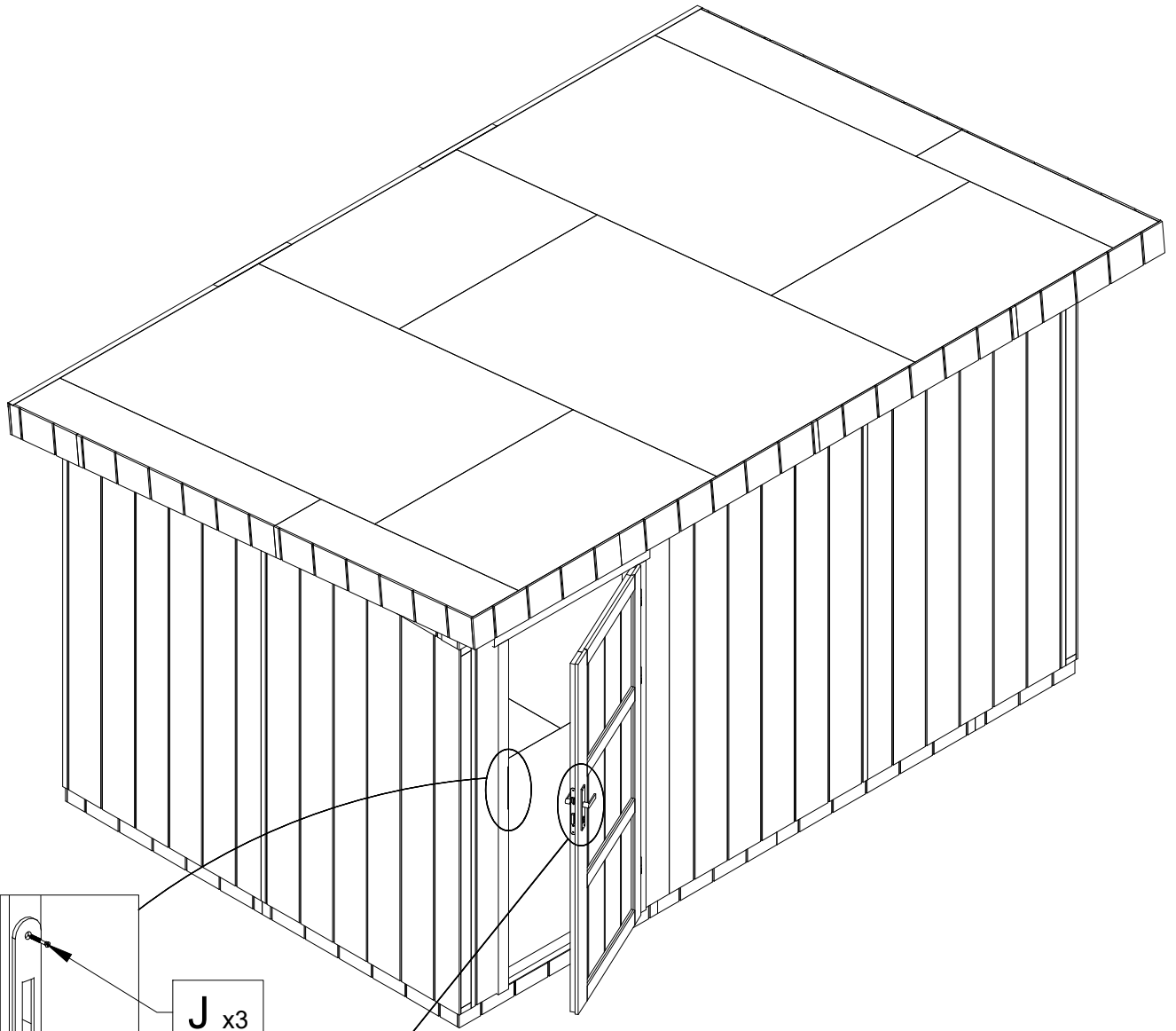
18

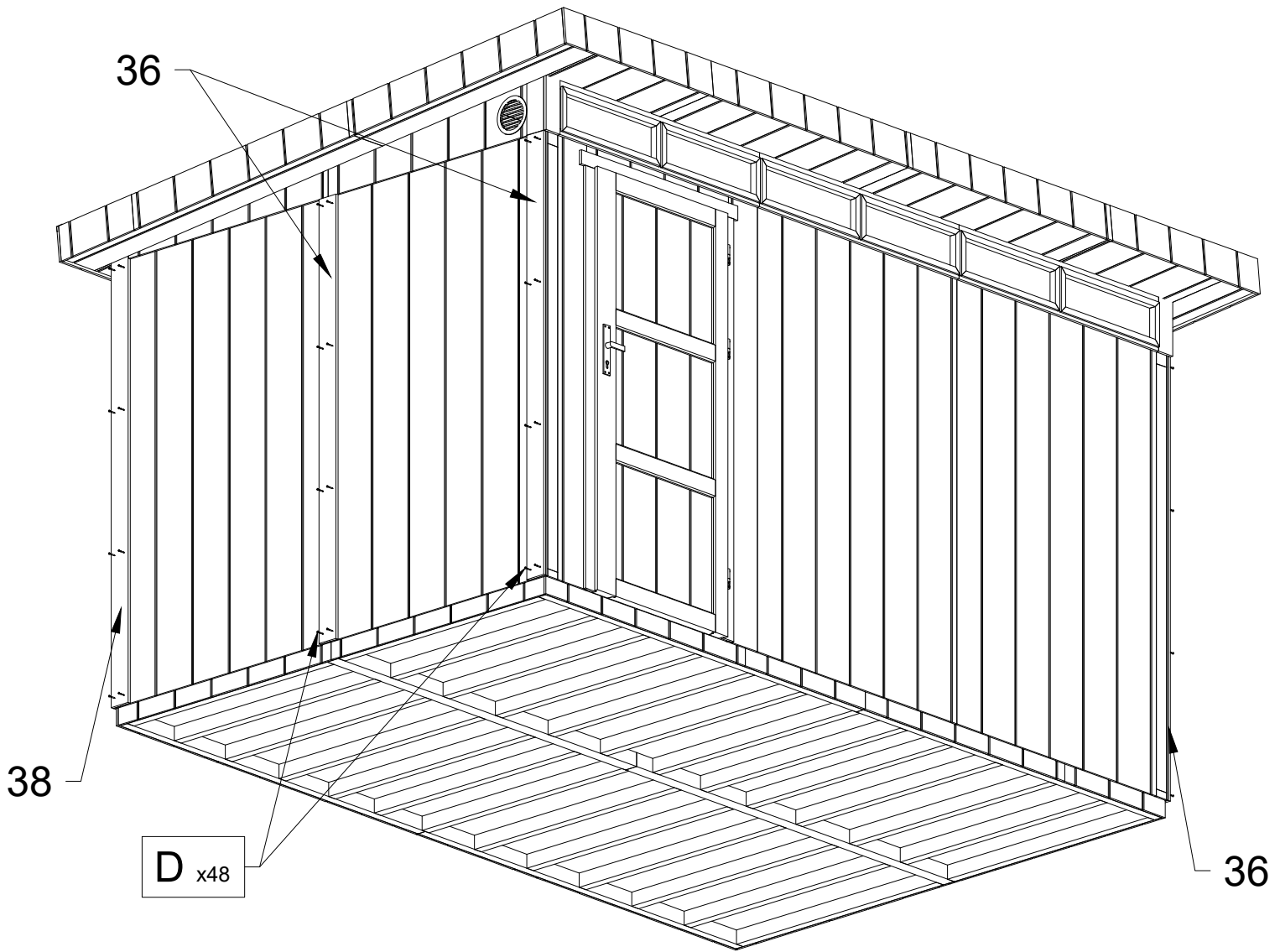


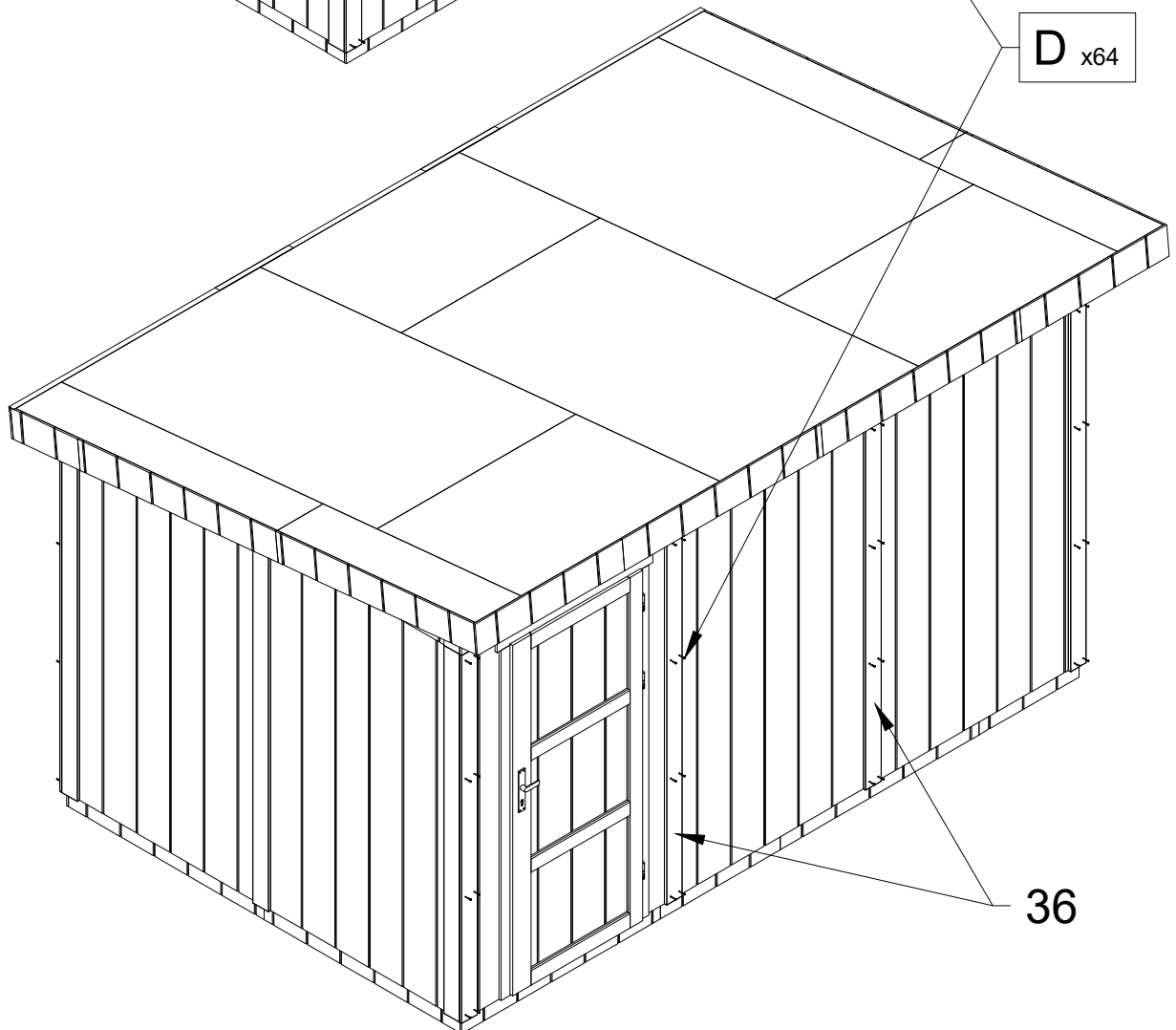
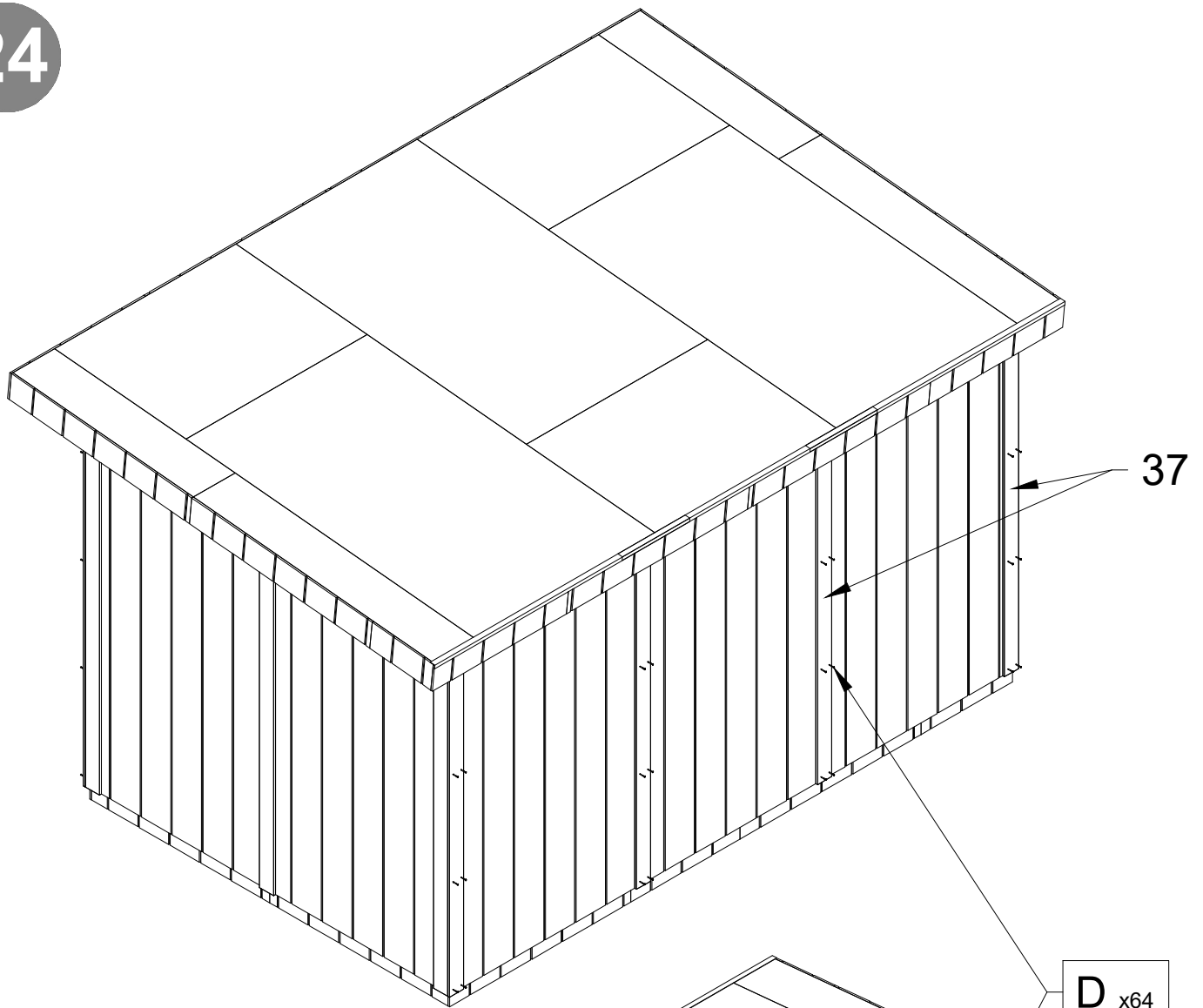


a=b

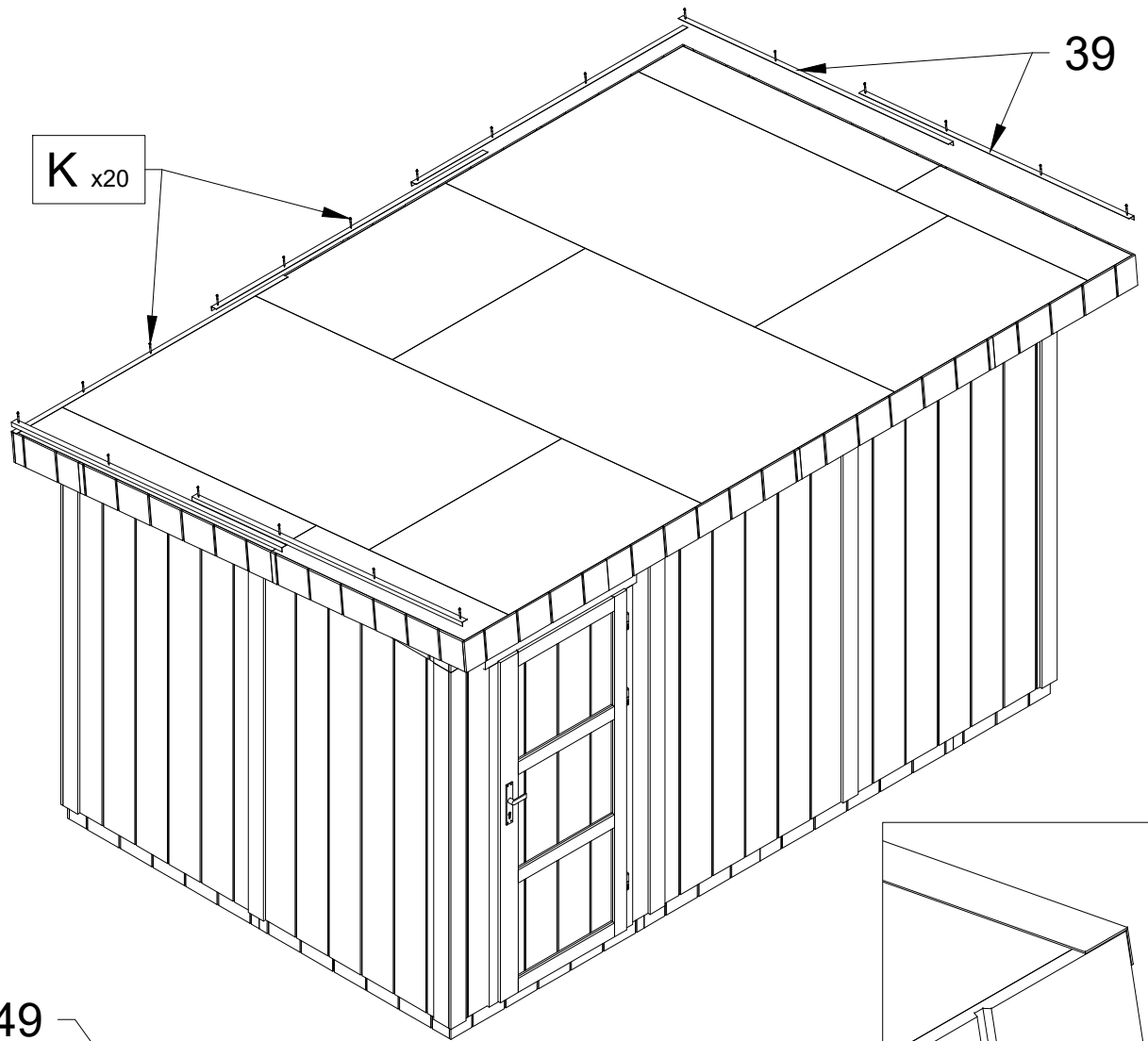








D x64



49

