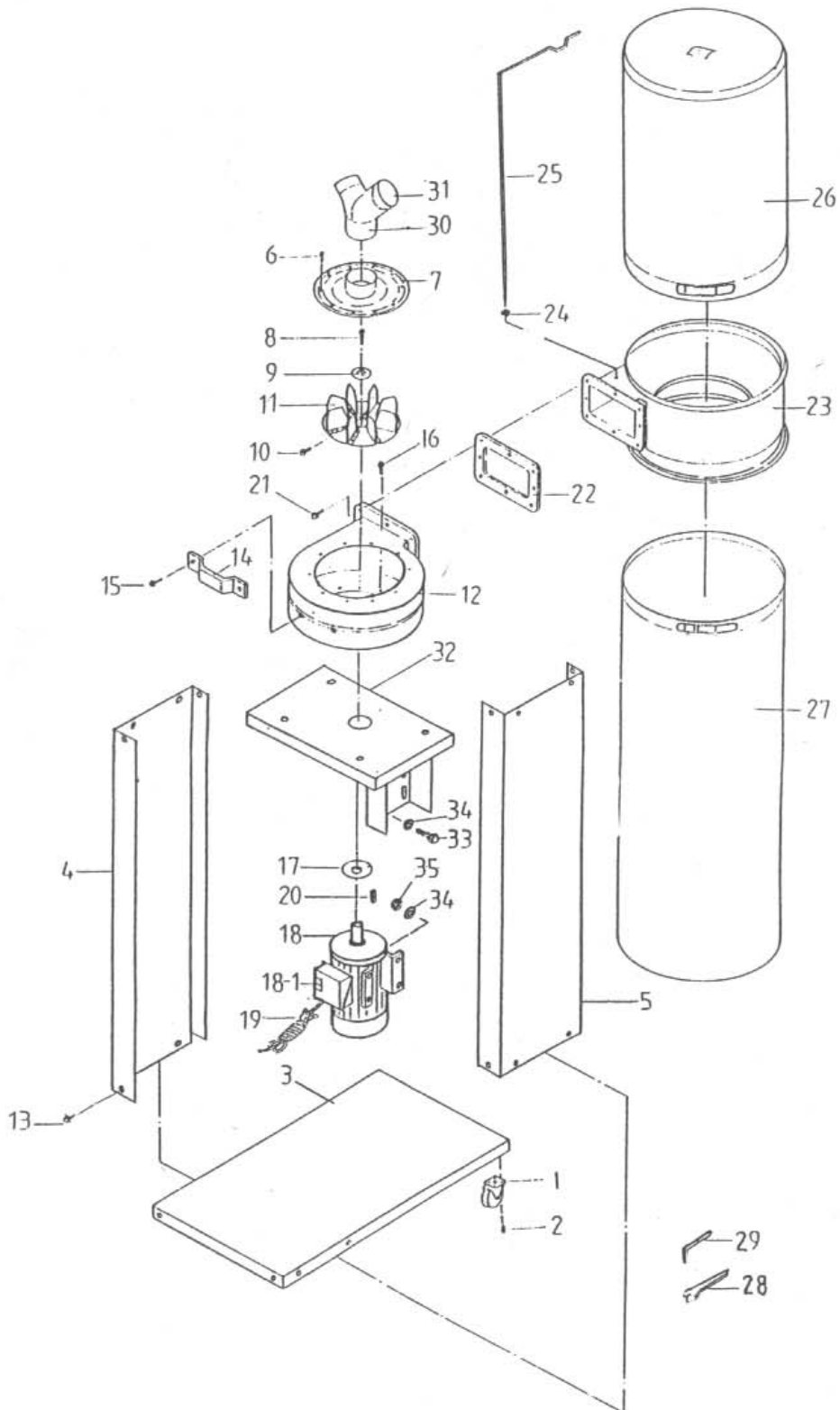


PARTS DIAGRAM



PARTS LIST

No.	DESCRIPTION	Specification	QTY
1	CASTER		4
2	SCREW HEX. HD.	$\frac{5}{16}$ " x $\frac{1}{2}$ " L	16
3	BASE PLATE		1
4	LEFT FOOT		1
5	RIGHT FOOT		1
6	SCREW PAN. HD.	$\frac{3}{16}$ " x $\frac{3}{8}$ " L	12
7	FAN-CASE COVER		1
8	SCREW HEX. SOC.	M6 x 20L (L.H.)	1
9	WASHER		1
10	SET SCREW	$\frac{5}{16}$ " x $\frac{1}{2}$ " L	2
11	FAN		1
12	FAN-CASE		1
13	SCREW HEX. HD.	$\frac{5}{16}$ " x $\frac{1}{2}$ " L	14
14	GRIP		1
15	SCREW HEX. HD.	$\frac{1}{4}$ " x $\frac{1}{2}$ " L	2
16	SCREW HEX. HD.	$\frac{5}{16}$ " x $\frac{1}{2}$ " L	4
17	PACKING		1
18	MOTOR		1
18-1	SWITCH		1
19	POWER CORD		1
20	KEY	7mm x 7mm	1
21	SCREW HEX. HD.	$\frac{5}{16}$ " x $\frac{1}{2}$ " L	8
22	PACKING		1
23	COLLECTOR		1
24	NUT	$\frac{5}{16}$ "	1
25	UPPER BAG SUPPORT		1
26	FILTER BAG		1
27	COLLECTOR BAG		1
28	OPEN-END WRENCH	12mm	1
29	ALLEN WRENCH	5 mm	1
30	SCREW PAN. HD.	$\frac{3}{16}$ " x $\frac{3}{8}$ " L	1
31	Y-TUBE		1
32	MOTOR PLATE		1
33	SCREW HEX. HD.	$\frac{5}{16}$ " x $\frac{3}{4}$ " L	4
34	WASHER	$\frac{5}{16}$ "	8
35	NUT	$\frac{5}{16}$ "	4