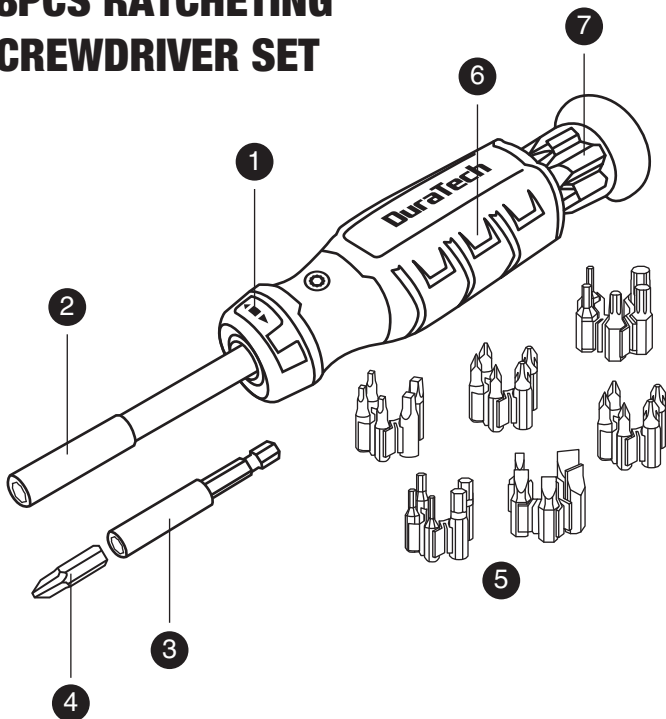


38PCS RATCHETING SCREWDRIVER SET

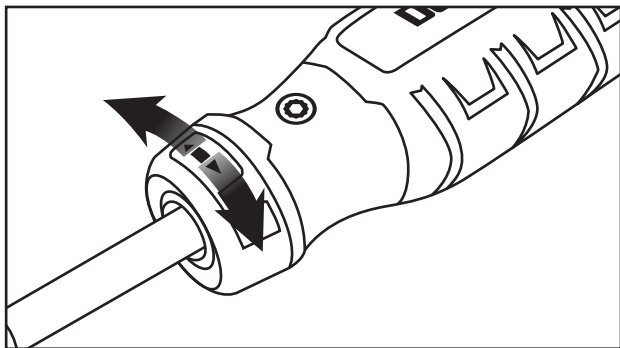


1. Ratchet Mechanism-Forward,Fixed, Reverse
2. 1/4" Integrated Nut Driver
3. Interchangeable Blade for Quick Bit Switching
4. 1pc Bit
5. 30pcs Bits Set
6. Bi-Material Handle
7. 5pcs Bits Stored in Handle

SPECIFICATIONS

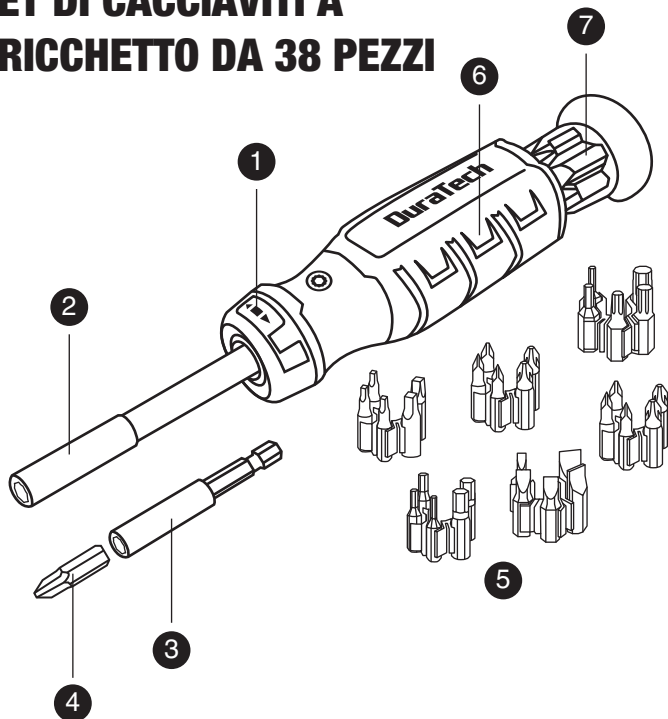
| | | | | | |
|--------|--------|---------|--------|---------|---------|
| ⊖ 1/8 | ⊖ 3/16 | ⊖ 3/16 | ⊖ 3/16 | ⊖ 1/4 | ⊖ 1/4 |
| ⊖ 9/32 | ⊕ PH0 | ⊕ PH1 | ⊕ PH1 | ⊕ PH2 | ⊕ PH2 |
| ⊕ PH2 | ⊕ PH2 | ⊕ PH3 | ⊕ PH3 | ⊕ PZ1 | ⊕ PZ1 |
| ⊕ PZ2 | ⊕ PZ2 | ⊕ PZ2 | ⊕ T10 | ⊕ T15 | ⊕ T20 |
| ⊕ T25 | ⊕ T30 | ○ H3/32 | ○ H1/8 | ○ H5/32 | ○ H3/16 |
| ○ H1/4 | ○ S0 | ○ S1 | ○ S2 | ○ S2 | ○ S3 |

RATCHET MECHANISM-FORWARD, FIXED, REVERSE



1. Rotating to ■ to fix the shank
2. Rotating to ⬅, the shank can only be rotated to the right
3. Rotating to ➡, the shank can only be rotated to the left

SET DI CACCIAVITI A CRICCHETTO DA 38 PEZZI

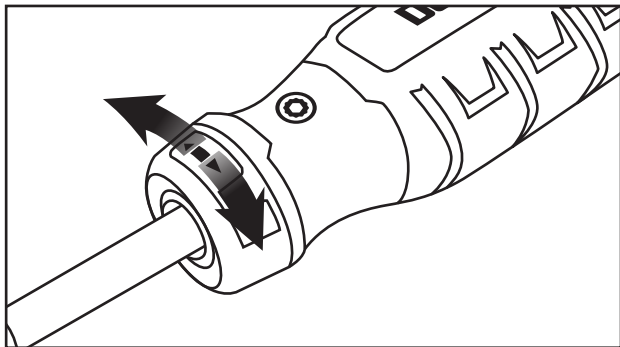


1. Meccanismo a Cricchetto: Avanti, Fisso, Retromarcia
2. Giradadi Integrato da 1/4"
3. Lama Intercambiabile per il Cambio Rapido della Punta
4. 1 pezzo di Punta
5. Set di 30 Punta
6. Manico Bimateriale
7. 5 pezzi di Punta Conservati nel Manico

SPECIFICA

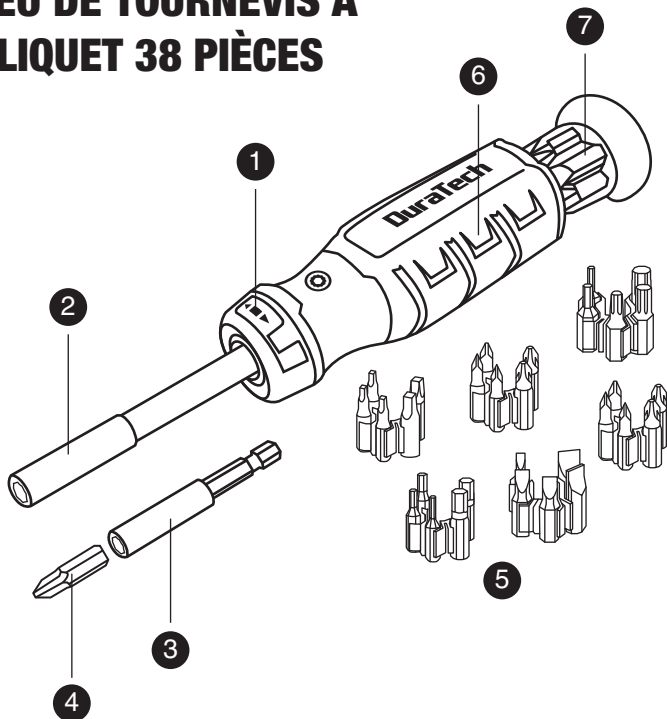
| | | | | | |
|--------|--------|---------|--------|---------|---------|
| ⊖ 1/8 | ⊖ 3/16 | ⊖ 3/16 | ⊖ 3/16 | ⊖ 1/4 | ⊖ 1/4 |
| ⊖ 9/32 | ⊕ PH0 | ⊕ PH1 | ⊕ PH1 | ⊕ PH2 | ⊕ PH2 |
| ⊕ PH2 | ⊕ PH2 | ⊕ PH3 | ⊕ PH3 | ⊕ PZ1 | ⊕ PZ1 |
| ⊕ PZ2 | ⊕ PZ2 | ⊕ PZ2 | ⊕ T10 | ⊕ T15 | ⊕ T20 |
| ⊕ T25 | ⊕ T30 | ○ H3/32 | ○ H1/8 | ○ H5/32 | ○ H3/16 |
| ○ H1/4 | ○ S0 | ○ S1 | ○ S2 | ○ S2 | ○ S3 |

MECCANISMO A CRICCHETTO: AVANTI, FISSO, RETROMARCIA



1. Ruotando verso ■ per fissare il gambo
2. Ruotando verso ←, il gambo può essere ruotato solo verso destra
3. Ruotando verso →, il gambo può essere ruotato solo a sinistra

JEU DE TOURNEVIS À CLIQUET 38 PIÈCES

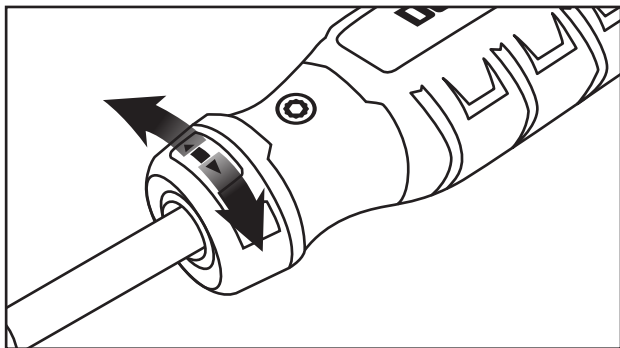


1. Mécanisme à Cliquet - Avant, Fixe, Arrière
2. Tige d'extension 1/4"
3. Interchangeabilité pour une Commutation Rapide des Embouts
4. Embout 1 Pièce
5. Jeu d'embouts 30 Pièces
6. Poignée Bi-matière
7. 5 embouts stockés dans la Poignée.

SPÉCIFICATION

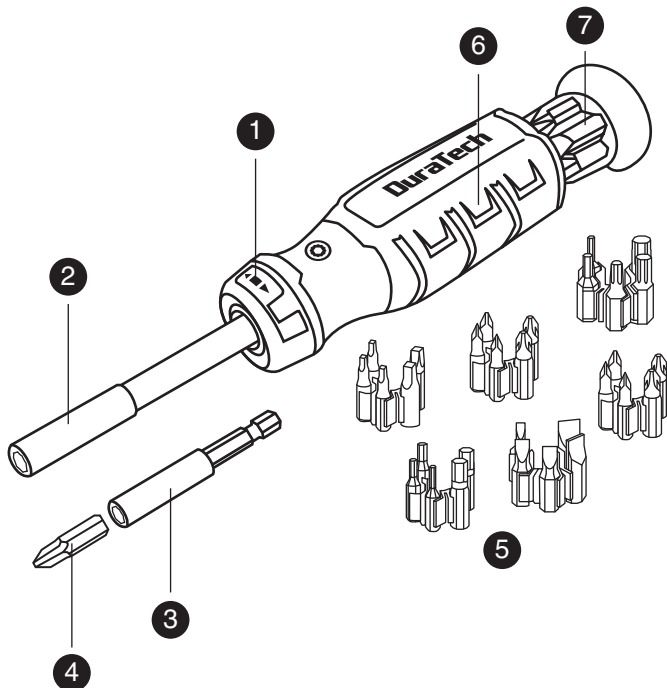
| | | | | | |
|--------|--------|---------|--------|---------|---------|
| ⊖ 1/8 | ⊖ 3/16 | ⊖ 3/16 | ⊖ 3/16 | ⊖ 1/4 | ⊖ 1/4 |
| ⊖ 9/32 | ⊕ PH0 | ⊕ PH1 | ⊕ PH1 | ⊕ PH2 | ⊕ PH2 |
| ⊕ PH2 | ⊕ PH2 | ⊕ PH3 | ⊕ PH3 | ⊕ PZ1 | ⊕ PZ1 |
| ⊕ PZ2 | ⊕ PZ2 | ⊕ PZ2 | ⊕ T10 | ⊕ T15 | ⊕ T20 |
| ⊕ T25 | ⊕ T30 | ○ H3/32 | ○ H1/8 | ○ H5/32 | ○ H3/16 |
| ○ H1/4 | ○ S0 | ○ S1 | ○ S2 | ○ S2 | ○ S3 |

MÉCANISME À CLIQUET - AVANT, FIXE, ARRIÈRE



1. Tourner ■ pour fixer la tige
2. Tourner vers ← , la tige ne peut être tournée que vers la droite
3. Tourner vers → , la tige ne peut être tournée que vers la gauche

38-TEILIGER RATSCHENSCHRAUBENDREHER-SATZ

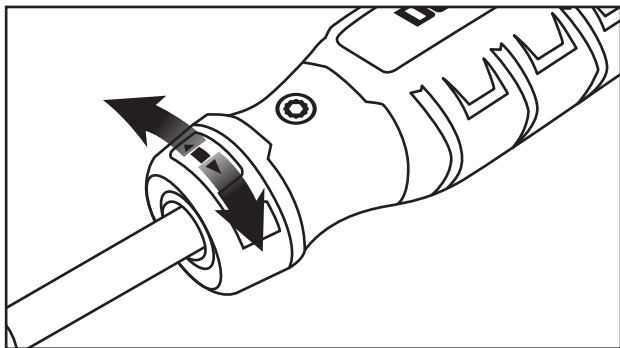


1. Ratschenmechanismus-vorwärts, fest, rückwärts
2. 1/4" Integrierter Bit-Schraubendreher
3. Innensechskantaufnahme für schnelles Umschalten von Bits
4. 1pc Bit
5. 30pcs Bits Set
6. Bi-Material Griff
7. 5pcs Bits gespeichert im Griff

SPEZIFIKATION

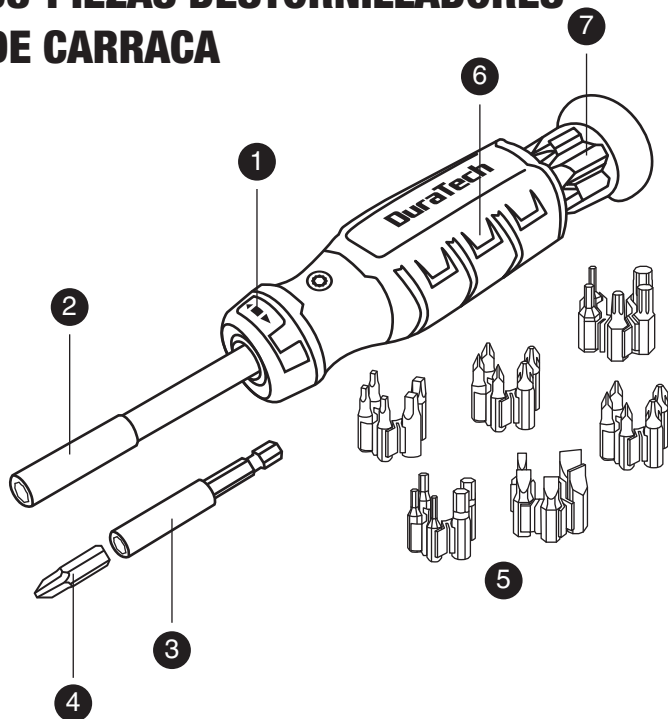
| | | | | | |
|--------|--------|---------|--------|---------|---------|
| ⊖ 1/8 | ⊖ 3/16 | ⊖ 3/16 | ⊖ 3/16 | ⊖ 1/4 | ⊖ 1/4 |
| ⊖ 9/32 | ⊕ PH0 | ⊕ PH1 | ⊕ PH1 | ⊕ PH2 | ⊕ PH2 |
| ⊕ PH2 | ⊕ PH2 | ⊕ PH3 | ⊕ PH3 | ⊕ PZ1 | ⊕ PZ1 |
| ⊕ PZ2 | ⊕ PZ2 | ⊕ PZ2 | ⊕ T10 | ⊕ T15 | ⊕ T20 |
| ⊕ T25 | ⊕ T30 | ○ H3/32 | ○ H1/8 | ○ H5/32 | ○ H3/16 |
| ○ H1/4 | ○ S0 | ○ S1 | ○ S2 | ○ S2 | ○ S3 |

RATSCHENMECHANISMUS-VORWÄRTS, FEST, RÜCKWÄRTS



1. Drehen nach ■ , um den Schaft zu fixieren
2. Drehen nach ← , der Schaft kann nur nach rechts gedreht werden
3. Drehen nach → , kann der Schaft nur nach links gedreht werden

38-PIEZAS DESTORNILLADORES DE CARRACA

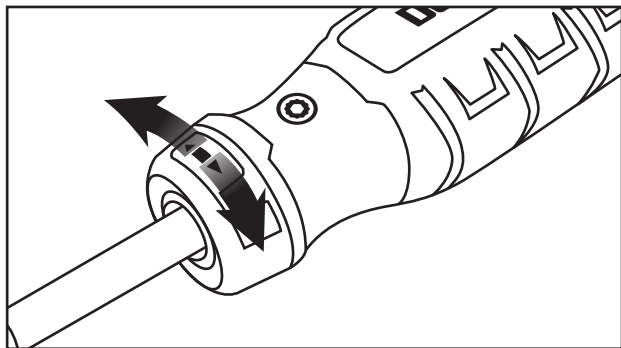


1. Mecanismo de Carraca-Adelante, Fijo, Atrás
2. 1/4" Destornillador de Tuercas Integrado
3. Cuchilla Intercambiable para Cambio Rápido de Puntas
4. 1pc Puntas
5. 30-piezas Puntas
6. Mango Bi-Material
7. 5-piezas Almacenamiento en el Mango

ESPECIFICACIÓN

| | | | | | |
|--------|--------|---------|--------|---------|---------|
| ⊖ 1/8 | ⊖ 3/16 | ⊖ 3/16 | ⊖ 3/16 | ⊖ 1/4 | ⊖ 1/4 |
| ⊖ 9/32 | ⊕ PH0 | ⊕ PH1 | ⊕ PH1 | ⊕ PH2 | ⊕ PH2 |
| ⊕ PH2 | ⊕ PH2 | ⊕ PH3 | ⊕ PH3 | ⊕ PZ1 | ⊕ PZ1 |
| ⊕ PZ2 | ⊕ PZ2 | ⊕ PZ2 | ⊕ T10 | ⊕ T15 | ⊕ T20 |
| ⊕ T25 | ⊕ T30 | ○ H3/32 | ○ H1/8 | ○ H5/32 | ○ H3/16 |
| ○ H1/4 | ○ S0 | ○ S1 | ○ S2 | ○ S2 | ○ S3 |

MECANISMO DE TRINQUETE: HACIA DELANTE, FIJO, ATRÁS



1. Girar hacia ■ para fijar el vástago
2. Girar hacia ←, el vástago sólo puede girar hacia la derecha
3. Girar hacia →, el vástago sólo puede girar hacia la izquierda