

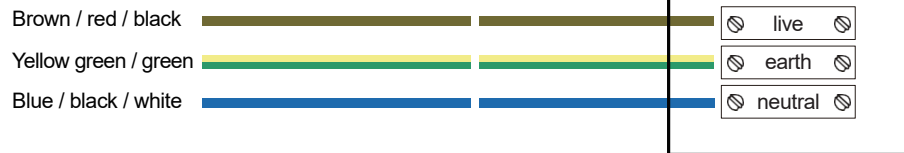
Anleitung Instruction

für Spiegel mit LED Beleuchtung
for Mirrors with LED light



Notes: In order to use the product safely and properly, the mirror must be connected to the wires and the power supply that conform the IEE Wiring Regulations. This product is suitable for indoor use only. Make sure all the electrical power has been completely switched off before starting installation work. The installation must be executed by a professional electrician. The wrong installation may lead to product damage or / and personal injury.

Wiring diagram for input terminal



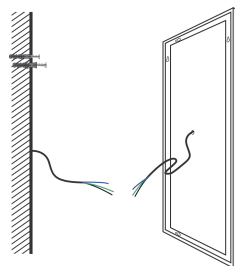
MAINS SUPPLY

LUMINAIRE

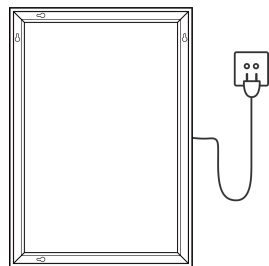
Warning: The Earthing system is designed in this mirror and the earth wire needs be connected to protect you from an electric shock.

If the external flexible cable or cord of this luminaire is damaged, it shall be exclusively replaced by the manufacturer or his service agent or a similar qualified person in order to avoid a hazard.

Connection method

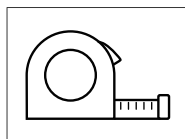


Wire buried wall type

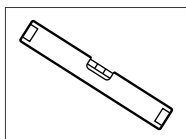


Wall plug

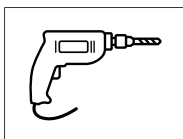
Installation Tools (as shown below)



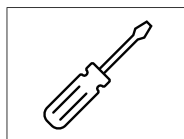
Tape Measure



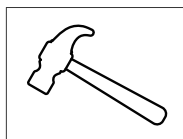
Spirit Level



Electric Drill

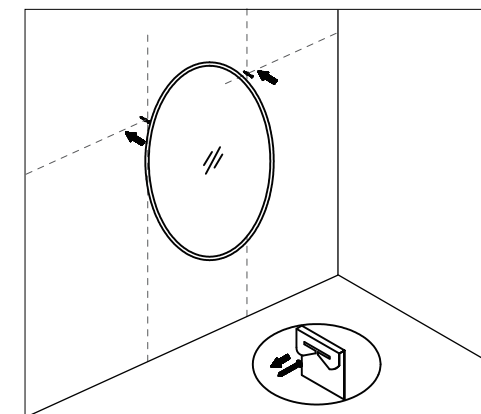
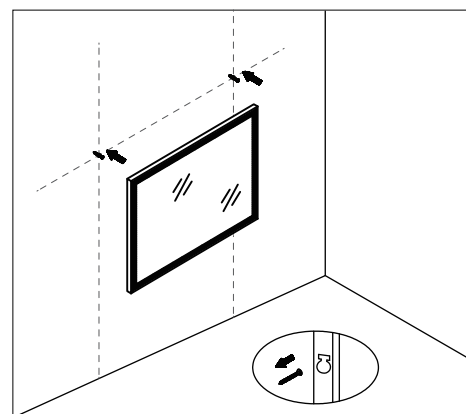
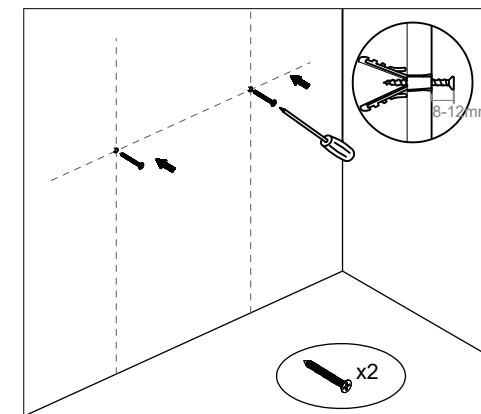
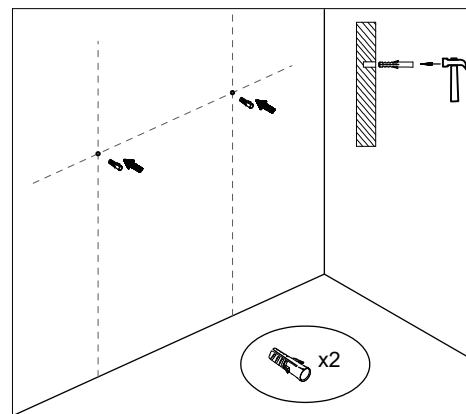
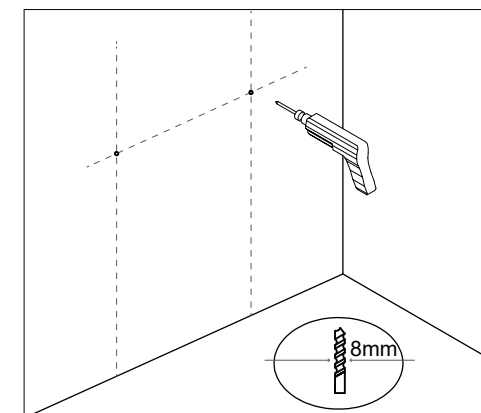
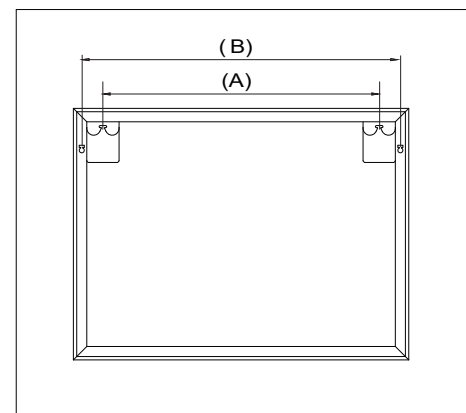


Screwdriver

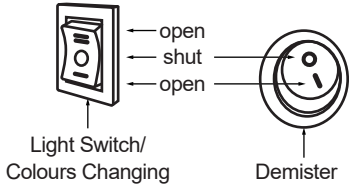





Hammer

Installation steps



The light colour on the switch button is blue when the mirror is off, and white when the mirror is switched on.

<p>Model 1</p>  <p>Light Switch/ Colours Changing</p> <p>Demister</p>	<ol style="list-style-type: none"> 1. Push the button up to switch on the Warm LED light and push down to switch on the cold LED light. Push the button in the middle to switch the LED light off. 2. Press the Demister button to switch the demister function on/off.
<p>Model 2</p>  <p>Switch Button (Demister or Brightness Adjustment)</p>	<ol style="list-style-type: none"> 1. Touch the switch button to switch on the LED light, touch again to switch off . 2. For the mirror with demister function, demister pad will turn on automatically when the LED light is on. 3. For the mirror with dimmer light function, long press the switch button to adjust the light brightness.
<p>Model 3</p>  <p>Switch Button/Colours Changing/ Brightness Adjustment (or Demister)</p>	<ol style="list-style-type: none"> 1. Touch the switch button to switch on the LED light, touch again the LED light colour switches from cool light, Warm White, Natural White to switch off accordingly. 2. Long press the switch button to adjust the brightness. 3. For the mirror with demister function, demister pad will turn on automatically when the LED light is on.
<p>Model 4</p>  <p>① Bluetooth Button ② Light Switch</p>	<ol style="list-style-type: none"> 1. Touch the switch button to switch on the LED light, touch again to switch off. 2. The demister pad will turn on automatically when the LED light is on. 3. Touch the Bluetooth Button to switch the Bluetooth function on and off. Search for CS-RY01A on your device to pair.

<p>Model 5</p>  <p>① Clock Setting Button</p> <p>② Light Switch/Colours Changing</p>	<ol style="list-style-type: none"> 1. Touch the switch button to switch on the LED light, touch again the LED light colour switches from cool light, Warm White, Natural White to switch off accordingly. 2. Long press the switch button to adjust the brightness. 3. Clock Setting: <ol style="list-style-type: none"> a) Press and hold the clock setting button for 3 seconds until the hour number starts flashing, tap the clock setting button to increase the number to the correct hour displayed (24-Hour Clock). b) Press and hold the clock setting button again for 3 seconds to activate the minute setting. When the minute number starts flashing, tap the clock setting button again to increase the number to the correct minute displayed. c) Press and hold the clock setting button again for 3 seconds or don't touch any button for 5 seconds to let the number stop flashing to exit the clock setting model.
<p>Model 6</p>  <p>Light Switch&Clock Setting Button</p>	<ol style="list-style-type: none"> 1. Touch the switch button to switch on the LED light, touch again to switch off. 2. Clock Setting: <ol style="list-style-type: none"> a) Press and hold the clock setting button again for 3 seconds to activate the minute setting. When the minute number starts flashing, tap the clock setting button again to increase the number to the correct minute displayed. b) Press and hold the clock setting button for 3 seconds until the hour number starts flashing, tap the clock setting button to increase the number to the correct hour displayed (24-Hour Clock). c) Press and hold the clock setting button again for 3 seconds or don't touch any button for 5 seconds to let the number stop flashing to exit the clock setting model.

Model 7



- ① Light Switch/Colours Changing
- ② Demister/Clock Setting Button

1. Touch the switch button to switch on the LED light, touch again the LED light colour switches from cool light, Warm White, Natural White to switch off accordingly.
2. Long press the switch button to adjust the brightness
3. Touch the Demister button to switch on/off the anti-fog function
 - a) Press and hold the clock setting button again for 3 seconds to activate the minute setting. When the minute number starts flashing, tap the clock setting button again to increase the number to the correct minute displayed.
 - b) Press and hold the clock setting button for 3 seconds until the hour number starts flashing, tap the clock setting button to increase the number to the correct hour displayed (24-Hour Clock).
 - c) Press and hold the clock setting button again for 3 seconds or don't touch any button for 5 seconds to let the number stop flashing to exit the clock setting model.

Model 8



- ① Demister
- ② Light Switch/Clock Setting Button

1. Touch the switch button to switch on the LED light, touch again to switch off.
2. Touch the Demister button to switch on/off the anti-fog function
3. Clock Setting:
 - a) Press and hold the clock setting button for 3 seconds until the hour number starts flashing, tap the clock setting button to increase the number to the correct hour displayed (24-Hour Clock).
 - b) Press and hold the clock setting button again for 3 seconds to activate the minute setting. When the minute number starts flashing, tap the clock setting button again to increase the number to the correct minute displayed.
 - c) Press and hold the clock setting button again for 3 seconds or don't touch any button for 5 seconds to let the number stop flashing to exit the clock setting model.

Model 9



- ① Down
- ② Up
- ③ Clock Setting /Speaker Payse&Start
- ④ Bluetooth
- ⑤ Demister
- ⑥ Light on/off/Brightness Adjustment

A: Turn on/off

1. Tap the ON/OFF button ⑥, the LED light will be switched on/off.
2. Long hold ON/OFF button ⑥ to adjust light brightness from 5% to 100%.

B: Anti-fog

Tap the Demister button ⑤ to switch on/off the anti-fog function. The demister icon will light up on the display screen when its function is on.

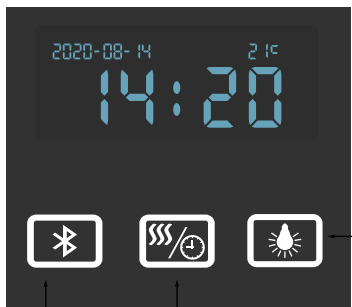
C: Bluetooth Speaker

1. Tap the Bluetooth button ④.
2. Turn on the Bluetooth function on your phone and search for CS-5012A to connect.
3. When the Bluetooth has been successfully connected, the mirror will work as a speaker.
4. Tap button ③ to pause / restart the speaker if needed.
5. While the speaker is on, tap button ① to pick the previous music and tap ② to change to the next one.
6. To adjust the volume, long hold button ① or ② to increase or decrease the volume from 0 to 30.

D: Reset the Time and Date

1. Hold button ③ for 3 seconds until the minute number starts flashing. Tap button ② or ① to increase or decrease the number to the correct minute.
2. Tap button ③ to reset the hour. When the hour number starts flashing, tap button ② or ① to increase or decrease the number to the correct hour.
3. Repeat step 2 to reset the year, month, day and week accordingly.
4. Tap button ③ again or don't do any operations for 5 seconds until the number stop flashing to exit the clock setting model.

Model 10



① Bluetooth ② Demister/Clock Setting Button

③ Light Switch/Colours Changing/Brightness Adjustment

A: Light Switch/ Colours Changing/ Brightness Adjustment

1. Tap the switch button ③ on the mirror, the LED light is switched on.
2. Change Light Colours: Tap switch button ③ (less than 1 second), LED Light colour will be changed successively from cool light, Warm White, Natural White and then switch the light off.
3. For Brightness Adjustable Model: long hold switch button until the light start changing brightness. Light brightness can be adjusted from 5% to 100%. Release the switch button to save the change after finished.

B: Anti-fog/ Reset the Time and Date

Anti-fog:

Tap the Demister Switch ② to switch on/off the Anti-fog function. A demister sign will light up on the display screen when the anti-fog function is on.

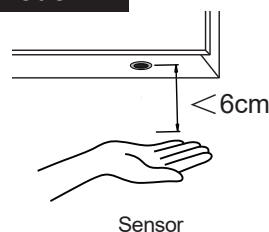
Reset the Time and Date:

1. Hold button ② for 3 seconds until the year number start flashing. Tap button ② or ① to increase or decrease the number to the correct year.
2. Press button ② to reset the month and day. When the month and day number start flashing, tap button ② or button ① to increase or decrease the number to the correct month and day.
3. Repeat step 2 to reset the hour and minute accordingly.
4. Press button ② again or don't do any operations for 5 seconds until the number stop flashing to exit the clock setting model.

C: Bluetooth Speaker

1. Tap Bluetooth button ① to turn on the Bluetooth Speaker function.
2. Turn on the Bluetooth function on your phone and search for CS-RY01A to connect.
3. When the Bluetooth has been successfully connected, Play and Turn up/down the volume on your phone.

Model 11



1. Within the scope of a valid distance (within 6cm), the LED light can be switch, on and off by gently waving hand cross the area underneath the sensor.
 2. For the mirror with demister function, demister pad will turn on automatically when the LED light is on.
- Please Notes: The sensor must be placed at least 50cm above any object (such as tap, sink and soap dispenser) to avoid any interference. Please also keep the sensor area as clear as you can because putting, objectives beneath the sensor can stop the sensor working properly.

Model 12



① Switch Button ② Light Colour & Brightness Adjustment Button

1. Press the switch button to switch the LED light on and off.
2. When the LED light is on, touch the M Button to switch the light colour from cool light, Warm White, Natural White accordingly.
3. When the LED light is on, long hold the M Button to adjust the light brightness.
4. Energy Saving: The mirror will be automatically powered off after being on stand by for 3 hours.

Model 13



① Demister Switch & Movement sensor function ② Sensor display screen ③ Light Switch & Brightness Adjustment

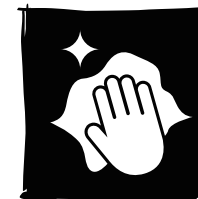
1. When power is applied, the movement sensor function is automatically switched on and the sensor display screen is lit up. When entering into the inductive zone (0.5~1.5m), the LED light is on, when leaving the inductive zone (0.5~1.5m), the movement sensor display flashes and the LED light automatically turns off within 20 seconds.
2. Touch the light switch to enter the manual function. The sensor function and the display are switched off. And the LED light will stay on until touch the light switch again to turn off.
3. When the light switch is off, touch the demister button to turn off the demister then long hold the demister button again to turn on the movement sensor function.
4. When the LED light is on, long hold the Light Switch to adjust the light brightness.
5. Touch the Demister Switch to switch on/off the anti-fog function.
6. Energy Saving: The mirror will be automatically powered off after being on stand by for 1 hour.
7. Memory Last-setting when light off.

Model 14



- ① Demister Switch & Movement sensor function
- ② Sensor display screen
- ③ Light Switch, Brightness Adjustment & Light Colour Switch

1. When power is applied, the movement sensor function is automatically switched on and the sensor display screen is lit up. When entering into the inductive zone (0.5~1.5m), the LED light is on, when leaving the inductive zone (0.5~1.5m), the movement sensor display flashes and the LED light automatically turns off within 20 seconds.
2. Touch the light switch to enter the manual function. The sensor function and the display are switched off. And the LED light will stay on until touch the light switch again to turn off.
3. When the LED light is on, touch the light switch again to switch the light colour from cool light, Natural White, and Warm White accordingly. Touch the light switch again after 5s to switch off the LED light.
4. When the light switch is off, touch the demister button to turn off the demister then long hold the demister button again to turn on the movement sensor function.
5. When the LED light is on, long hold the Light Switch to adjust the light brightness.
6. Touch the Demister Switch to switch on/off the anti-fog function.
7. Energy Saving: The mirror will be automatically powered off after being on stand by for 1 hour.
8. Memory Last-setting when light off.



Care & maintenance

NOTE: Use warm soapy water and a soft, damp, lint-free cloth to clean the mirror. Wipe it dry with another clean cloth. Glass cleaner can be used on the mirror surface when required. Avoid scourers, abrasives and chemical cleaners as they can damage the glass and the frame. In hard water areas, limescale may deposit on the glass. Regular cleaning will minimize this problem. If this build-up becomes increasingly difficult to remove, apply a small amount of white vinegar on the area.

- ✓ Do not attempt to cut the glass.
- ✓ Do not hit the glass with hard or sharp objectives.
- ✓ To reduce the risk of strangulation the flexible wiring connected to this luminaire shall be effectively fixed to the wall if the wiring is within arm's reach

For non-user replaceable light sources:

The light source contained in this luminaire shall only be replaced by the manufacturer or his service agent or a similar qualified person.

Shaver socket maximum current outlet: 0.5A

Operating Frequency band: 2402-2480 MHz

Maximum radio-frequency power transmitted: -2.76 dBm

Achtung: um die normale Anwendung vom Produkt zu garantieren, muss die Montage durch fachliche Elektrotechniker durchgeführt werden. **Den Stromkreis ausschalten. Mit dem Klemmepult die Produktdreiecker im Draußen und die reservierten Dreiecker an der Wand verbinden.** Eine falsche Montage wird zur Beschädigung vom Produkt oder zur persönlichen Sicherheit führen.

* Dieses Produkt ist nur geeignet für Montage an einer Massivwand usw. im Raum.

Anschlussplan für Eingangsklemme



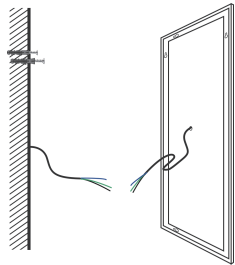
NETZVERSORGUNG

Warnung: Das Erdungssystem ist in diesem Spiegel ausgelegt und das Erdungskabel muss angeschlossen werden.

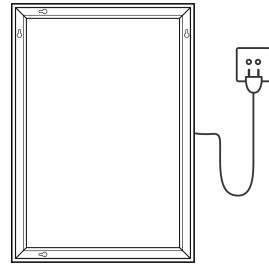
Wenn die externe flexible Leitung oder das Kabel dieser Leuchte beschädigt ist, muss sie/es ausschließlich durch den Hersteller oder seinen Kundendienst oder eine ähnlich qualifizierte Person ersetzt werden, um eine Gefährdung zu vermeiden.

LEUCHE

Verbindungsmethode

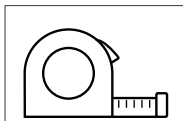


Typ der versenkten Wand

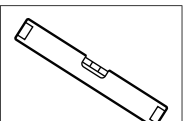


Wandstecker

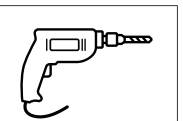
Installationswerkzeuge (wie unten gezeigt)



Maßband



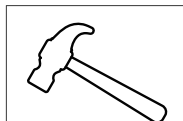
Wasserwaage



Elektrische Bohrmaschine

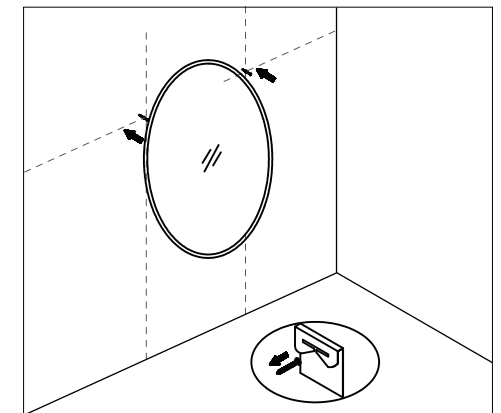
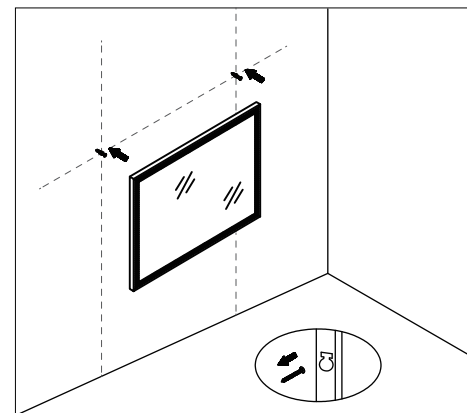
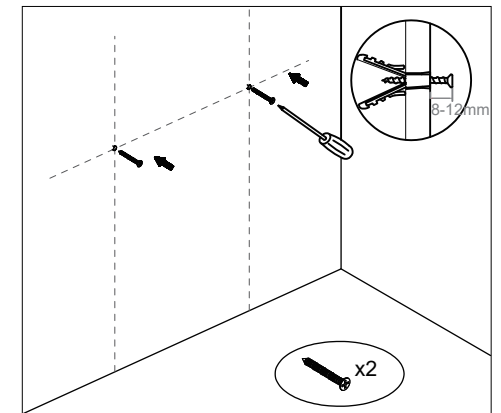
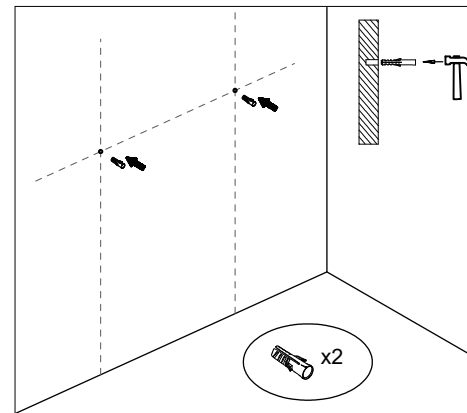
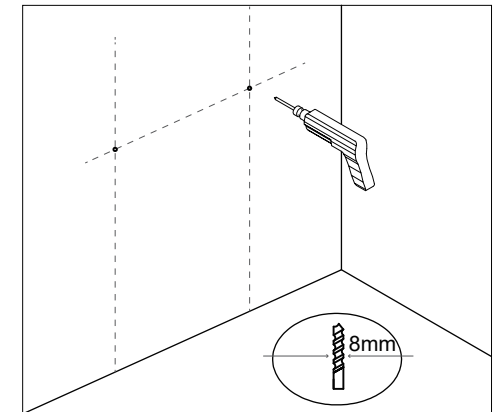
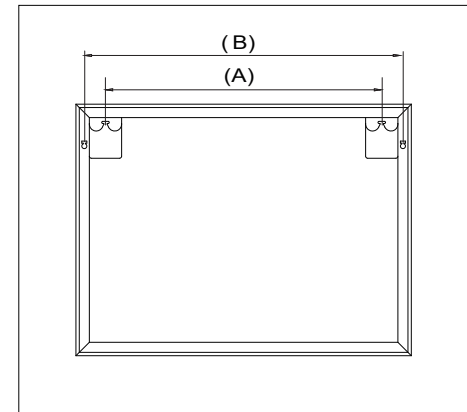


Schraubenzieher

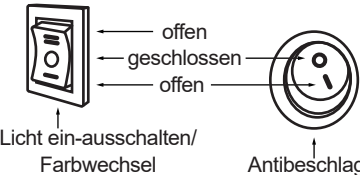







Hammer

Installationsschritte



Die Lichtfarbe auf dem Schalterknopf ist blau, wenn der Spiegel ausgeschaltet ist, und weiß, wenn der Spiegel eingeschaltet ist.

<p>Modell 1</p>  <p>Licht ein-ausschalten/ Farbwechsel</p> <p>Antibeslag</p>	<ol style="list-style-type: none"> 1. Drücken Sie die Taste nach oben, um das warme LED-Licht einzuschalten, und drücken Sie es nach unten, um das kalte LED-Licht einzuschalten. Drücken Sie die Taste in der Mitte, um das LED-Licht auszuschalten. 2. Drücken Sie die Demister-Taste, um die Demister-Funktion ein-/auszuschalten.
<p>Modell 2</p>  <p>Schaltertaste (Antibeslag oder Helligkeitseinstellung)</p>	<ol style="list-style-type: none"> 1. Berühren Sie die Schalttaste, um das LED-Licht einzuschalten, berühren Sie sie erneut, um sie auszuschalten. 2. Bei Spiegeln mit Demisterfunktion schaltet sich das Demisterpad automatisch ein, wenn das LED-Licht an ist. 3. Halten Sie beim Spiegel mit Dimmerlichtfunktion den Schalter lange gedrückt, um die Lichthelligkeit einzustellen.
<p>Modell 3</p>  <p>Schaltertaste/Farbwechsel/Lichthelligkeit einstellen (oder Antibeslag)</p>	<ol style="list-style-type: none"> 1. Berühren Sie die Schaltertaste, um das LED-Licht einzuschalten, berühren Sie erneut den LED-Lichtfarbschalter von kühles Licht, Warmweiß, Naturweiß um entsprechend auszuschalten. 2. Halten Sie die Umschalttaste lang gedrückt, um die Helligkeit anzupassen. 3. Bei Spiegeln mit Demisterfunktion schaltet sich das Demisterpad automatisch ein, wenn das LED-Licht an ist.
<p>Modell 4</p>  <p>① Bluetooth-Taste ② Licht ein-ausschalten</p>	<ol style="list-style-type: none"> 1. Berühren Sie die Schalttaste, um das LED-Licht einzuschalten, berühren Sie sie erneut, um sie auszuschalten. 2. Das Demisterpad schaltet sich automatisch ein, wenn das LED-Licht an ist. 3. Berühren Sie die Bluetooth-Schaltfläche, um die Bluetooth-Funktion ein- und auszuschalten. Suchen Sie CS-RY01A auf Ihrem Gerät, um es zu koppeln.

<p>Modell 5</p>  <p>① Uhreinstellungstaste ② Licht ein-ausschalten/ Farbwechsel</p>	<ol style="list-style-type: none"> 1. Berühren Sie die Schaltertaste, um das LED-Licht einzuschalten, berühren Sie erneut den LED-Lichtfarbschalter von kühles Licht, Warmweiß, Naturweiß um entsprechend auszuschalten. 2. Halten Sie die Umschalttaste lang gedrückt, um die Helligkeit anzupassen. 3. Uhreinstellung: <ol style="list-style-type: none"> a) Halten Sie die Uhreinstellungstaste 3 Sekunden lang gedrückt, bis die Stundenzahl zu blinken beginnt, tippen Sie dann auf die Uhreinstellungstaste, um die Zahl auf die richtige angezeigte Stunde (24-Stunden-Uhr) zu erhöhen. b) Halten Sie die Uhreinstellungstaste erneut 3 Sekunden lang gedrückt, um die Minuten-Einstellung zu aktivieren. Wenn die Minuten-Nummer zu blinken beginnt, tippen Sie erneut auf die Uhreinstellungstaste, um die Zahl auf die richtige angezeigte Minute zu erhöhen. c) Halten Sie die Uhreinstellungstaste erneut 3 Sekunden lang gedrückt oder berühren Sie 5 Sekunden lang keine Taste, damit die Zahl aufhört zu blinken, um das Uhreinstellungsmodell zu verlassen.
<p>Modell 6</p>  <p>Licht ein-ausschalten & Uhreinstellungstaste</p>	<ol style="list-style-type: none"> 1. Berühren Sie die Schalttaste, um das LED-Licht einzuschalten, berühren Sie sie erneut, um sie auszuschalten. 2. Uhreinstellung: <ol style="list-style-type: none"> a) Halten Sie die Uhreinstellungstaste erneut 3 Sekunden lang gedrückt, um die Minuten-Einstellung zu aktivieren. Wenn die Minuten-Nummer zu blinken beginnt, tippen Sie erneut auf die Uhreinstellungstaste, um die Zahl auf die richtige angezeigte Minute zu erhöhen. b) Halten Sie die Uhreinstellungstaste 3 Sekunden lang gedrückt, bis die Stundenzahl zu blinken beginnt, tippen Sie dann auf die Uhreinstellungstaste, um die Zahl auf die richtige angezeigte Stunde (24-Stunden-Uhr) zu erhöhen. c) Halten Sie die Uhreinstellungstaste erneut 3 Sekunden lang gedrückt oder berühren Sie 5 Sekunden lang keine Taste, damit die Zahl aufhört zu blinken, um das Uhreinstellungsmodell zu verlassen.

Modell 7



- ① Licht ein-ausschalten/ Farbwechsel
- ② Antibeschlag/ Uhreinstellungstaste

1. Berühren Sie die Schaltertaste, um das LED-Licht einzuschalten, berühren Sie erneut den LED-Lichtfarbschalter von kühes Licht, Warmweiß, Naturweiß, um entsprechend auszuschalten.
2. Halten Sie die Umschalttaste lang gedrückt, um die Helligkeit anzupassen.
3. Berühren Sie die Antibeschlag-Taste, um die Anti-Fog-Funktion ein-/auszuschalten
- a) Halten Sie die Uhreinstellungstaste erneut 3 Sekunden lang gedrückt, um die Minuten-Einstellung zu aktivieren. Wenn die Minuten-Nummer zu blinken beginnt, tippen Sie erneut auf die Uhreinstellungstaste, um die Zahl auf die richtige angezeigte Minute zu erhöhen.
- b) Halten Sie die Uhreinstellungstaste 3 Sekunden lang gedrückt, bis die Stundenzahl zu blinken beginnt, tippen Sie dann auf die Uhreinstellungstaste, um die Zahl auf die richtige angezeigte Stunde (24-Stunden-Uhr) zu erhöhen.
- c) Halten Sie die Uhreinstellungstaste erneut 3 Sekunden lang gedrückt oder berühren Sie 5 Sekunden lang keine Taste, damit die Zahl aufhört zu blinken, um das Uhreinstellungsmodell zu verlassen.

Modell 8



- ① Antibeschlag
- ② Licht ein-ausschalten/ Uhreinstellungstaste

1. Berühren Sie die Schalttaste, um das LED-Licht einzuschalten, berühren Sie sie erneut, um sie auszuschalten.
2. Berühren Sie die Antibeschlag-Taste, um die Anti-Fog-Funktion ein-/auszuschalten.
3. Uhreinstellung:
 - a) Halten Sie die Uhreinstellungstaste erneut 3 Sekunden lang gedrückt, um die Minuten-Einstellung zu aktivieren. Wenn die Minuten-Nummer zu blinken beginnt, tippen Sie erneut auf die Uhreinstellungstaste, um die Zahl auf die richtige angezeigte Minute zu erhöhen.
 - b) Halten Sie die Uhreinstellungstaste 3 Sekunden lang gedrückt, bis die Stundenzahl zu blinken beginnt, tippen Sie dann auf die Uhreinstellungstaste, um die Zahl auf die richtige angezeigte Stunde (24-Stunden-Uhr) zu erhöhen.
 - c) Halten Sie die Uhreinstellungstaste erneut 3 Sekunden lang gedrückt oder berühren Sie 5 Sekunden lang keine Taste, damit die Zahl aufhört zu blinken, um das Uhreinstellungsmodell zu verlassen.

Modell 9



- ① Runter
- ② Hoch
- ③ Uhreinstellungstaste/Sprecher Payse&Start
- ④ Bluetooth
- ⑤ .Antibeschlag
- ⑥ Licht an/aus/Lichthelligkeit einstellen

A: Ein-/Ausschalten

1. Tippen Sie auf die EIN/AUS-Taste ⑥, das LED-Licht wird ein-/ausgeschaltet.
2. Halten Sie die EIN/AUS-Taste ⑥ lang gedrückt, um die Lichthelligkeit von 5 % bis 100 % einzustellen.

B: Antibeschlag

Tippen Sie auf die Demister-Taste ⑤, um die Antibeschlagfunktion ein-/auszuschalten. Das DemisterSymbol leuchtet auf dem Bildschirm auf, wenn seine Funktion eingeschaltet ist.

C: Bluetooth-Lautsprecher

1. Tippen Sie auf die Bluetooth-Taste ④.
2. Schalten Sie die Bluetooth-Funktion Ihres Telefons ein und suchen Sie nach CS-5012A, um eine Verbindung herzustellen.
3. Wenn die Bluetooth-Verbindung erfolgreich hergestellt wurde, und der Spiegel funktioniert als Lautsprecher.
4. Tippen Sie auf die Schaltfläche ③, um den Lautsprecher bei Bedarf zu pausieren/neu zu starten.
5. Tippen Sie bei eingeschaltetem Lautsprecher auf die Schaltfläche ①, um die vorherige Musik auszuwählen, und tippen Sie auf ②, um zur nächsten zu wechseln.
6. Um die Lautstärke einzustellen, halten Sie die Taste ① oder ② lange gedrückt, um die Lautstärke von 0 bis 30 zu erhöhen oder zu verringern.

D: Uhrzeit und Datum zurücksetzen

1. Halten Sie die Taste ③ 3 Sekunden lang gedrückt, bis die Minutenzahl zu blinken beginnt. Tippen Sie auf die Schaltfläche ② oder ①, um die Zahl auf die richtige Minute zu erhöhen oder zu verringern.
2. Tippen Sie auf die Schaltfläche ③, um die Stunde zurückzusetzen. Wenn die Stundenzahl zu blinken beginnt, tippen Sie auf die Taste ② oder ①, um die Zahl auf die richtige Stunde zu erhöhen oder zu verringern.
3. Wiederholen Sie Schritt 2, um Jahr, Monat und Tag entsprechend zurückzusetzen.
4. Tippen Sie erneut auf die Taste ③ oder führen Sie 5 Sekunden lang keine Bedienung durch, bis die Zahl aufhört zu blinken, um das Uhreinstellungsmodell zu verlassen.

E: Auf- und Ab-Tasten

1. Tippen Sie auf die Taste ①, um die vorherige Musik aufzunehmen, und tippen Sie auf die Taste ②, um zur nächsten Musik zu gelangen.
2. Halten Sie die Taste ① oder ② gedrückt, um die Lautstärke von 0 bis 30 zu erhöhen oder zu verringern.

Modell 10



① Bluetooth ② Antibeschlag/Uhrzeit-
einstellungstaste

③ Licht ein-ausschalten/
Farbwechsel/Lichthelligkeit
einstellen

**A: Lichtschalter/Farbwechsel/
Helligkeitsanpassung**

1. Tippen Sie auf den Schalterknopf ③ am Spiegel, das LED-Licht wird eingeschaltet.
2. Lichtfarben ändern: Tippen Sie auf die Umschalttaste ③ (weniger als 1 Sekunde), die LED-Lichtfarbe schaltet sich um von kühles Licht, Warmweiß, Naturweiß bis das Licht ausgeschaltet wird.
3. Für Helligkeitsverstellbares Modell: Halten Sie den Schalter lange gedrückt, bis sich das Licht ändert. Die Lichthelligkeit kann von 5 % bis 100 % eingestellt werden. Lassen Sie die Umschalttaste los, um die Änderung nach Abschluss zu speichern.

B: Anti-Beschlag / Uhrzeit und Datum zurücksetzen

Anti Nebel:

Tippen Sie auf den Demister-Schalter ②, um die Anti-Fog-Funktion ein-/auszuschalten. Wenn die Antibeschlagfunktion eingeschaltet ist, leuchtet auf dem Display ein Demister-Zeichen auf.

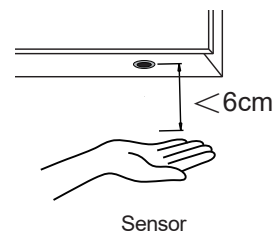
Uhrzeit und Datum zurücksetzen:

1. Halten Sie die Taste ② 3 Sekunden lang gedrückt, bis die Jahreszahl zu blinken beginnt. Tippen Sie auf die Schaltfläche ② oder ①, um die Zahl auf das richtige Jahr zu erhöhen oder zu verringern.
2. Tippen Sie auf die Schaltfläche ②, um Monat und Tag zurückzusetzen. Wenn die Monats- und Tagesnummer zu blinken beginnen, tippen Sie auf die Taste ② oder die Taste ①, um die Zahl auf den richtigen Monat und Tag zu erhöhen oder zu verringern.
3. Wiederholen Sie Schritt 2, um die Minute und Stunde entsprechend zurückzusetzen.
4. Tippen Sie erneut auf die Taste ② oder führen Sie 5 Sekunden lang keine Bedienung durch, bis die Zahl aufhört zu blinken, um das Uhrzeitmodell zu verlassen.

C: Bluetooth-Lautsprecher

1. Tippen Sie auf die Bluetooth-Taste ①, um die Bluetooth-Lautsprecherfunktion einzuschalten.
2. Schalten Sie die Bluetooth-Funktion Ihres Telefons ein und suchen Sie nach CS-RY01A, um eine Verbindung herzustellen.
3. Wenn die Bluetooth-Verbindung erfolgreich hergestellt wurde, spielen Sie ab und drehen Sie die Lautstärke Ihres Telefons auf / ab.

Modell 11



1. Im Rahmen eines gültigen Abstandes (innerhalb von 6cm) kann die LED-Leuchte, eingeschaltet werden und durch leichtes Winken mit der Hand den Bereich unter dem Sensor überqueren.
2. Bei Spiegeln mit Demisterfunktion schaltet sich das Demisterpad automatisch ein, wenn das LED-Licht an ist.

Bitte beachten Sie:

Der Sensor wurde mindestens 50 cm über einem Gegenstand angebracht (z.B. Wasserhahn, Spüle, Suppenspender usw.), um Störungen zu vermeiden. Bitte halten Sie auch den Sensorbereich so frei wie möglich, da Gegenstände unter den Sensor kann dazu führen, dass der Sensor nicht mehr richtig funktioniert.

Modell 12



① Schaltertaste ② Taste zum Einstellen
von Lichtfarbe und
Helligkeit

1. Drücken Sie die Umschalttaste, um das LED-Licht ein- und auszuschalten.
2. Wenn das LED-Licht eingeschaltet ist, berühren Sie die M-Taste, um die Lichtfarbe entsprechend zwischen kühles Licht, Warmweiß, Naturweiß, umzuschalten.
3. Wenn das LED-Licht eingeschaltet ist, halten Sie die M-Taste lange gedrückt, um die Helligkeit des Lichts einzustellen.
4. Energiesparmodus: Der Spiegel wird automatisch ausgeschaltet, nachdem er 3 Stunden im Standby-Modus war.

Modell 13



① Entfeuchtungsschalter &
Bewegungssensor-Funktion
② Sensor-Anzeigebildschirm
③ Lichtschalter und
Helligkeitseinstellung

1. Wenn der Strom eingeschaltet wird, schaltet sich die Bewegungssensorfunktion automatisch ein und der Sensorbildschirm leuchtet auf. Beim Eintritt in den induktiven Bereich (0,5~1,5m) leuchtet das LED-Licht, beim Verlassen des induktiven Bereichs (0,5~1,5m) blinkt die Anzeige des Bewegungssensors und das LED-Licht schaltet sich automatisch innerhalb von 20 Sekunden aus.
2. Berühren Sie den Lichtschalter, um die manuelle Funktion zu aktivieren. Die Sensorfunktion und das Display werden ausgeschaltet. Das LED-Licht bleibt an, bis Sie den Lichtschalter erneut berühren, um es auszuschalten.

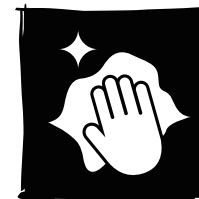
3. Wenn der Lichtschalter ausgeschaltet ist, berühren Sie die Entfeuchtungstaste, um die Entfeuchtung auszuschalten , und halten Sie die Entfeuchtungstaste lange gedrückt, um die Bewegungssensorfunktion einzuschalten.
4. wenn das LED-Licht eingeschaltet ist, halten Sie den Lichtschalter lange gedrückt, um die Helligkeit einzustellen.
5. berühren Sie den Demister-Schalter, um die Anti-Beschlag-Funktion ein-/auszuschalten
6. energiesparend: Der Spiegel schaltet sich automatisch aus, nachdem er 1 Stunde lang im Standby-Modus war.
7. Speicher Letzte Einstellung bei ausgeschaltetem Licht

Modell 14



- ① Entfeuchtungsschalter & Bewegungssensor-Funktion
- ② Sensor-Anzeigebildschirm
- ③ Lichtschalter, Helligkeitsregulierung und Lichtfarbenschalter

1. Wenn der Strom eingeschaltet wird, schaltet sich die Bewegungssensorfunktion automatisch ein und der Sensorbildschirm leuchtet auf. Beim Eintritt in den induktiven Bereich (0,5~1,5m) leuchtet das LED-Licht, beim Verlassen des induktiven Bereichs (0,5~1,5m) blinkt die Anzeige des Bewegungssensors und das LED-Licht schaltet sich automatisch innerhalb von 20 Sekunden aus.
2. Berühren Sie den Lichtschalter, um die manuelle Funktion zu aktivieren. Die Sensorfunktion und das Display werden ausgeschaltet. Das LED-Licht bleibt an, bis Sie den Lichtschalter erneut berühren, um es auszuschalten.
3. Wenn das LED-Licht eingeschaltet ist, berühren Sie den Lichtschalter erneut, um die Lichtfarbe entsprechend zwischen kühlem Licht, natürlichem Weiß und warmem Weiß zu wechseln. Berühren Sie den Lichtschalter erneut nach 5s, um das LED-Licht auszuschalten.
4. Wenn der Lichtschalter ausgeschaltet ist, berühren Sie die Entfeuchtungstaste, um die Entfeuchtung auszuschalten, und halten Sie die Entfeuchtungstaste lange gedrückt, um die Bewegungssensorfunktion einzuschalten.
5. Wenn das LED-Licht eingeschaltet ist, halten Sie den Lichtschalter lange gedrückt, um die Helligkeit des Lichts einzustellen.
6. Berühren Sie den Demister-Schalter, um die Anti-Beschlag-Funktion ein-/auszuschalten.
7. Energiesparend: Der Spiegel schaltet sich automatisch aus, nachdem er 1 Stunde lang im Standby-Modus war.
8. Speicher Letzte Einstellung bei ausgeschaltetem Licht.



Pflege & Wartung

HINWEIS: Verwenden Sie zum Reinigen des Spiegels warmes Seifenwasser und ein weiches, feuchtes, fusselfreies Tuch. Wischen Sie es trocken mitnoch ein sauberes Tuch. Glasreiniger kann bei Bedarf auf der Spiegeloberfläche verwendet werden. Scheuermittel vermeiden, Scheuermittel und chemische Reinigungsmittel, da diese das Glas und den Rahmen beschädigen können. In Gebieten mit hartem Wasser kann sich Kalk auf dem Glas ablagern. Eine regelmäßige Reinigung minimiert dieses Problem.

Wenn diese Ablagerungen immer schwieriger zu entfernen sind, tragen Sie eine kleine Menge weißen Essig auf die Stelle auf.

- Do not attempt to cut the glass.
- Do not hit the glass with hard or sharp objectives.
- Um die Strangulierungsgefahr zu verringern, muss das flexible Kabel, das an diese Leuchte angeschlossen ist, wirksam an der Wand befestigt werden, wenn sich das Kabel in Reichweite der Arme befindet.

LED Licht wechseln:

Alle Lichtquelle, die in diesem Produkt enthalten, darf nur vom Hersteller oder einem Elektriker ausgetauscht werden.

Maximale Stromstärke der Rasiersteckdose: 0.5A

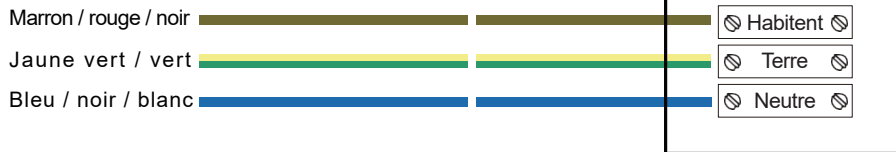
Betriebsfrequenzband: 2402-2480 MHz

Maximale übertragene Funkfrequenzleistung: -2.76 dBm

Remarques: Afin d'utiliser le produit en toute sécurité et correctement, le miroir doit être connecté aux fils et l'alimentation conforme aux réglementations de câblage IEE. **Assurez-vous que toute l'alimentation électrique a été complètement coupée.** Utilisation d'une boîte de jonction ou d'autres connecteurs de fils appropriés pour connecter les fils en fonction de l'alimentation principale ; l'installation doit être effectuée par un électricien professionnel. Une mauvaise installation peut entraîner des dommages au produit ou/et des blessures corporelles.

* Ce produit convient uniquement à une utilisation en intérieur.

Schéma de câblage pour borne d'entrée



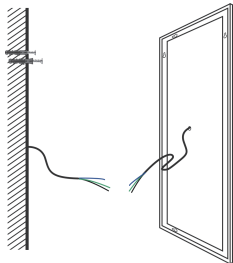
ALIMENTATION SECTEUR

LUMINAIRE

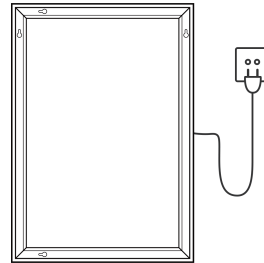
Avertissement : Le système de mise à la terre est conçu dans ce miroir et le fil de terre doit être connecté pour vous protéger d'un choc électrique.

Si le câble ou le cordon flexible externe de ce luminaire est endommagé, il doit être remplacé exclusivement par le fabricant ou son agent de service ou une personne qualifiée similaire afin d'éviter tout danger.

Méthode de connexion

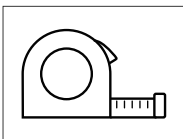


Type de mur enterré par fil

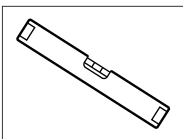


Prise murale

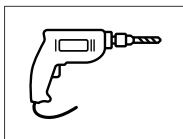
Outils d'installation (comme indiqué ci-dessous)



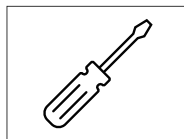
Mètre à ruban



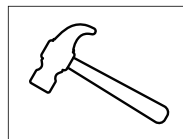
Niveau à bulle



Perceuse électrique

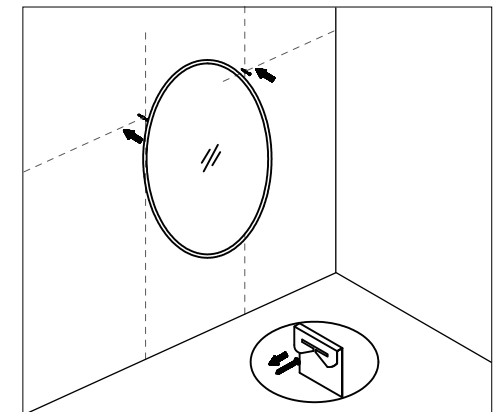
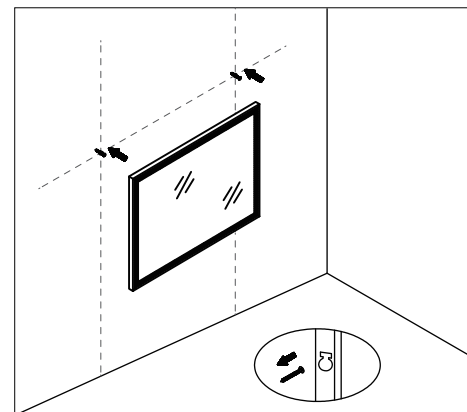
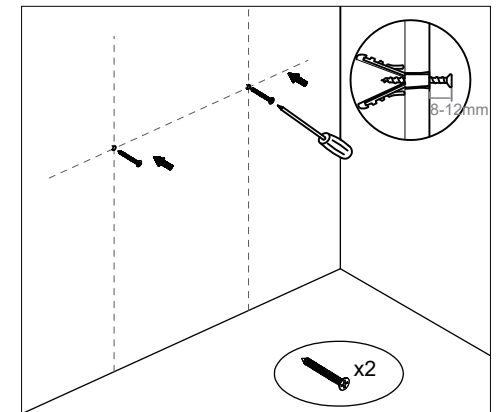
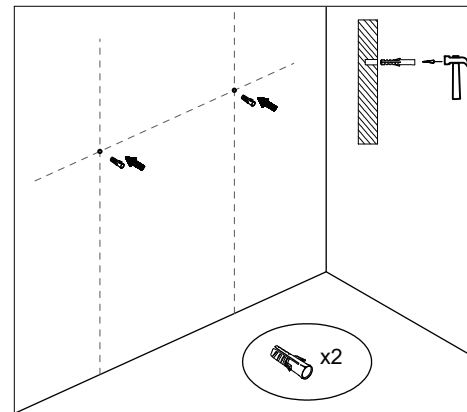
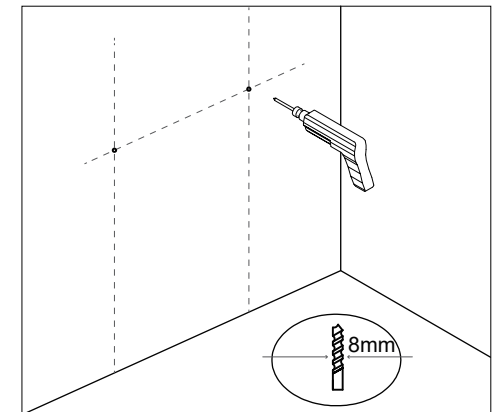
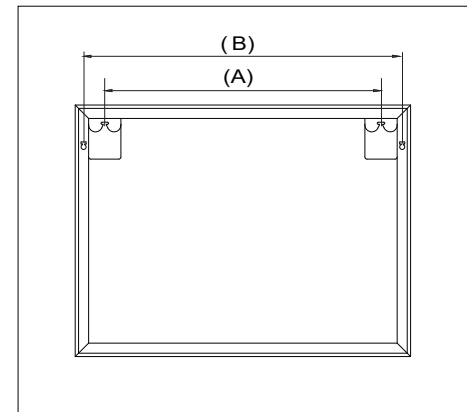


Tournevis

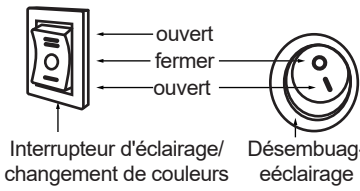
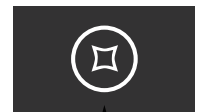




Marteau

Étapes d'installation



La couleur de la lumière sur le bouton de l'interrupteur est bleue lorsque le miroir est éteint et blanche lorsque le miroir est allumé.

<p>Modèle 1</p> 	<ol style="list-style-type: none"> 1. Poussez le bouton vers le haut pour allumer la lumière LED chaude et appuyez vers le bas pour allumer la lumière LED froide. Appuyez sur le bouton au milieu pour éteindre la lumière LED. 2. Appuyez sur le bouton Désembuage pour activer/désactiver la fonction de désembuage.
<p>Modèle 2</p>  <p>Le bouton de l'interrupteur (Désembuage ou réglage de la luminosité)</p>	<ol style="list-style-type: none"> 1. Appuyez sur le bouton de l'interrupteur pour allumer la lumière LED, appuyez à nouveau pour l'éteindre. 2. Pour le miroir avec fonction antibuée, le tampon antibuée s'allumera automatiquement lorsque la lumière LED est allumée. 3. Pour le miroir avec fonction de gradation de la lumière, appuyez longuement sur le bouton de l'interrupteur pour régler la luminosité de la lumière.
<p>Modèle 3</p>  <p>Le bouton de l'interrupteur /changement de couleurs/contrôle de la luminosité (ou désembuage)</p>	<ol style="list-style-type: none"> 1. Appuyez sur le bouton de l'interrupteur pour allumer la lumière LED, appuyez à nouveau sur les commutateurs de couleur de la lumière LED de lumière froide, blanc chaud, blanc naturel pour éteindre en conséquence. 2. Appuyez longuement sur le bouton de l'interrupteur pour régler la luminosité 3. Pour le miroir avec fonction antibuée, le tampon antibuée s'allumera automatiquement lorsque la lumière LED est allumée.
<p>Modèle 4</p>  <p>① Bouton Bluetooth ② Interrupteur d'éclairage</p>	<ol style="list-style-type: none"> 1. Appuyez sur le bouton de l'interrupteur pour allumer la lumière LED, appuyez à nouveau pour l'éteindre. 2. Le tampon antibuée s'allumera automatiquement lorsque le voyant LED est allumé. 3. Appuyez sur le bouton Bluetooth pour activer et désactiver la fonction Bluetooth. Recherchez CS-RY01A sur votre appareil à coupler.

<p>Modèle 5</p>  <p>① Bouton de réglage de l'horloge ② Interrupteur d'éclairage/ changement de couleurs</p>	<ol style="list-style-type: none"> 1. Appuyez sur le bouton de l'interrupteur pour allumer la lumière LED, appuyez à nouveau sur les commutateurs de couleur de la lumière LED de lumière froide, blanc chaud, blanc naturel pour éteindre en conséquence. 2. Appuyez longuement sur le bouton de l'interrupteur pour régler la luminosité 3. Réglage de l'horloge : <ol style="list-style-type: none"> a) Appuyez sur le bouton de réglage de l'horloge et maintenez-le enfoncé pendant 3 secondes jusqu'à ce que le numéro de l'heure commence à clignoter, appuyez sur le bouton de réglage de l'horloge pour augmenter le nombre jusqu'à l'heure correcte affichée (horloge 24 heures). b) Appuyez à nouveau sur le bouton de réglage de l'horloge et maintenez-le enfoncé pendant 3 secondes pour activer le réglage des minutes. Lorsque le nombre de minutes commence à clignoter, appuyez à nouveau sur le bouton de réglage de l'horloge pour augmenter le nombre jusqu'à la bonne minute affichée. c) Appuyez à nouveau sur le bouton de réglage de l'horloge et maintenez-le enfoncé pendant 3 secondes ou ne touchez aucun bouton pendant 5 secondes pour laisser le numéro s'arrêter de clignoter pour quitter le modèle de réglage de l'horloge.
<p>Modèle 6</p>  <p>Interrupteur d'éclairage & Bouton de réglage de l'horloge</p>	<ol style="list-style-type: none"> 1. Appuyez sur le bouton de l'interrupteur pour allumer la lumière LED, appuyez à nouveau pour l'éteindre. 2. Réglage de l'horloge : <ol style="list-style-type: none"> a) Appuyez à nouveau sur le bouton de réglage de l'horloge et maintenez-le enfoncé pendant 3 secondes pour activer le réglage des minutes. Lorsque le nombre de minutes commence à clignoter, appuyez à nouveau sur le bouton de réglage de l'horloge pour augmenter le nombre jusqu'à la bonne minute affichée. b) Appuyez et maintenez enfoncé le bouton de réglage de l'horloge pendant 3 secondes jusqu'à ce que le numéro de l'heure commence à clignoter, appuyez sur le bouton de réglage de l'horloge pour augmenter le nombre jusqu'à l'heure correcte affichée (horloge 24 heures). c) Appuyez à nouveau sur le bouton de réglage de l'horloge et maintenez-le enfoncé pendant 3 secondes ou ne touchez aucun bouton pendant 5 secondes pour laisser le numéro s'arrêter de clignoter pour quitter le modèle de réglage de l'horloge.

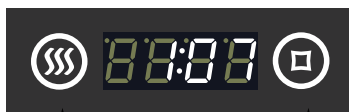
Modèle 7



- ① Interrupteur d'éclairage/ changement de couleurs
- ② désembuage/ Bouton de réglage de l'horloge

1. Appuyez sur le bouton de l'interrupteur pour allumer la lumière LED, appuyez à nouveau sur les commutateurs de couleur de la lumière LED de lumière froide, blanc chaud, blanc naturel pour éteindre en conséquence.
2. Appuyez longuement sur le bouton de l'interrupteur pour régler la luminosité.
3. Appuyez sur le bouton Désembuage pour activer/désactiver la fonction anti-buée.
- a) Appuyez à nouveau sur le bouton de réglage de l'horloge et maintenez-le enfoncé pendant 3 secondes pour activer le réglage des minutes. Lorsque le nombre de minutes commence à clignoter, appuyez à nouveau sur le bouton de réglage de l'horloge pour augmenter le nombre jusqu'à la bonne minute affichée.
- b) Appuyez et maintenez enfoncé le bouton de réglage de l'horloge pendant 3 secondes jusqu'à ce que le numéro de l'heure commence à clignoter, appuyez sur le bouton de réglage de l'horloge pour augmenter le nombre jusqu'à l'heure correcte affichée (horloge 24 heures).
- c) Appuyez à nouveau sur le bouton de réglage de l'horloge et maintenez-le enfoncé pendant 3 secondes ou ne touchez aucun bouton pendant 5 secondes pour laisser le numéro s'arrêter de clignoter pour quitter le modèle de réglage de l'horloge.

Modèle 8



- ① désembuage
- ② Interrupteur d'éclairage/ Bouton de réglage de l'horloge

1. Appuyez sur le bouton de l'interrupteur pour allumer la lumière LED, appuyez à nouveau pour l'éteindre.
2. Appuyez sur le bouton Désembuage pour activer/désactiver la fonction anti-buée.
3. Réglage de l'horloge :
 - a) Appuyez à nouveau sur le bouton de réglage de l'horloge et maintenez-le enfoncé pendant 3 secondes pour activer le réglage des minutes. Lorsque le nombre de minutes commence à clignoter, appuyez à nouveau sur le bouton de réglage de l'horloge pour augmenter le nombre jusqu'à la bonne minute affichée.
 - b) Appuyez et maintenez enfoncé le bouton de réglage de l'horloge pendant 3 secondes jusqu'à ce que le numéro de l'heure commence à clignoter, appuyez sur le bouton de réglage de l'horloge pour augmenter le nombre jusqu'à l'heure correcte affichée (horloge 24 heures).
 - c) Appuyez à nouveau sur le bouton de réglage de l'horloge et maintenez-le enfoncé pendant 3 secondes ou ne touchez aucun bouton pendant 5 secondes pour laisser le numéro s'arrêter de clignoter pour quitter le modèle de réglage de l'horloge.

Modèle 9



- ① Bas
- ② Haut
- ③ Bouton de réglage de l'horloge/ Conférencier Payse&Start
- ④ Bluetooth
- ⑤ Désembuage
- ⑥ Lumière allumée/éteinte/contrôle de la luminosité

A: Activer/désactiver

1. Appuyez sur le bouton ON/OFF ⑥, la lumière LED sera allumée/éteinte.
2. Maintenez enfoncé le bouton ON/OFF ⑥ pour régler la luminosité de la lumière de 5% à 100%.

B: Anti-buée

Appuyez sur le bouton Désembuage ⑤ pour activer/désactiver la fonction antibuée. L'icône de désembuage s'allumera sur l'écran d'affichage lorsque sa fonction est activée.

C: Haut-parleur Bluetooth

1. Appuyez sur le bouton Bluetooth ④.
2. Activez la fonction Bluetooth sur votre téléphone et recherchez CS-5012A pour vous connecter.
3. Lorsque le Bluetooth a été connecté avec succès, le miroir fonctionnera comme un haut-parleur.
4. Appuyez sur le bouton ③ pour mettre en pause / redémarrer le haut-parleur si nécessaire.
5. Lorsque le haut-parleur est allumé, appuyez sur le bouton ① pour sélectionner la musique précédente et appuyez sur ② pour passer à la suivante.
6. Pour régler le volume, maintenez enfoncé le bouton ① ou ② pour augmenter ou diminuer le volume de 0 à 30.

D: Réinitialiser l'heure et la date

1. Maintenez le bouton ③ enfoncé pendant 3 secondes jusqu'à ce que le numéro des minutes se mette à clignoter. Appuyez sur le bouton ② ou ① pour augmenter ou diminuer le nombre à la bonne minute.
2. Appuyez sur le bouton ③ pour réinitialiser l'heure. Lorsque le nombre d'heures commence à clignoter, appuyez sur le bouton ② ou ① pour augmenter ou diminuer le nombre jusqu'à l'heure correcte.
3. Répétez l'étape 2 pour réinitialiser l'année, le mois et le jour en conséquence.
4. Appuyez à nouveau sur le bouton ③ ou n'effectuez aucune opération pendant 5 secondes jusqu'à ce que le numéro arrête de clignoter pour quitter le modèle de réglage de l'horloge.

E: Boutons haut et bas

1. Appuyez sur le bouton ① pour récupérer la musique précédente et appuyez sur le bouton ② pour passer à la musique suivante.
2. Appuyez longuement sur le bouton ① ou ② pour augmenter ou diminuer le volume de 0 à 30.

Modèle 10



① Bluetooth ② Désembuage/Bouton de réglage de l'horloge

③ Interrupteur d'éclairage/ changement de couleurs/contrôle de la luminosité

A: Interrupteur d'éclairage/ changement de couleurs/réglage de la luminosité

1. Appuyez sur le bouton de l'interrupteur ③ sur le miroir, la lumière LED est allumée.
2. Changer les couleurs de la lumière : appuyez sur le bouton de l'interrupteur ③ (moins d'une seconde), la couleur de la lumière LED sera changée successivement de lumière froide, blanc chaud, blanc naturel puis éteignez la lumière.
3. Pour le modèle à luminosité réglable : maintenez enfoncé le bouton de l'interrupteur jusqu'à ce que la lumière commence à changer de luminosité. La luminosité de la lumière peut être ajustée de 5% à 100%. Relâchez le bouton de l'interrupteur pour enregistrer le changement une fois terminé.

B: Anti-buée/Réinitialiser l'heure et la date

Anti-buée:

Appuyez sur l'interrupteur de désembuage ② pour activer/désactiver la fonction antibuée. Un signe de désembuage s'allumera sur l'écran d'affichage lorsque la fonction antibuée est activée.

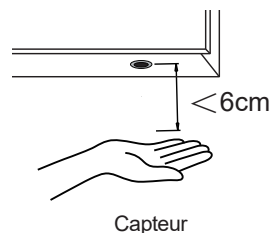
Réinitialiser l'heure et la date:

1. Maintenez le bouton ② enfoncé pendant 3 secondes jusqu'à ce que le numéro de l'année commence à clignoter. Appuyez sur le bouton ② ou ① pour augmenter ou diminuer le nombre jusqu'à l'année correcte.
2. Appuyez sur le bouton ② pour réinitialiser le mois et le jour. Lorsque le numéro du mois et du jour commence à clignoter, appuyez sur le bouton ② ou le bouton ① pour augmenter ou diminuer le numéro jusqu'au mois et au jour corrects.
3. Répétez l'étape 2 pour réinitialiser les minutes et les heures en conséquence.
4. Appuyez à nouveau sur le bouton ② ou n'effectuez aucune opération pendant 5 secondes jusqu'à ce que le numéro arrête de clignoter pour quitter le modèle de réglage de l'horloge.

C: Haut-parleur Bluetooth

1. Appuyez sur le bouton Bluetooth ① pour activer la fonction Haut-parleur Bluetooth.
2. Activez la fonction Bluetooth sur votre téléphone et recherchez CS-RY01A pour vous connecter.
3. Lorsque le Bluetooth a été connecté avec succès, Jouez et augmentez/diminuez le volume de votre téléphone.

Modèle 11



1. Dans le cadre d'une distance valide (à moins de 6 cm), la lumière LED peut être commutée, allumer et éteindre en agitant doucement la main traverser la zone sous le capteur.
2. Pour le miroir avec fonction antibuée, le tampon antibuée s'allumera automatiquement lorsque la lumière LED est allumée.

Remarques :

le capteur doit être placé à au moins 50 cm au-dessus de tout objet (tel qu'un robinet, un évier et un distributeur de savon) pour éviter toute interférence. Veuillez également garder la zone du capteur aussi dégagée que possible car mettre, les objectifs situés sous le capteur peuvent empêcher le capteur de fonctionner correctement.

Modèle 12



① Bouton de commutation ② Bouton de réglage de la couleur de la lumière et de la luminosité

1. Appuyez sur le bouton de l'interrupteur pour allumer et éteindre la lumière LED.
2. Lorsque l'éclairage LED est allumé, appuyez sur le bouton M pour faire passer la couleur de lumière froide, blanc chaud, blanc naturel.
3. Lorsque l'éclairage à DEL est allumé, maintenez le bouton M enfoncé pour régler la luminosité de la lumière.
4. Économie d'énergie : le miroir s'éteindra automatiquement après avoir été en veille pendant 3 heures.

Modèle 13



① Fonction de l'interrupteur de désembuage et du détecteur de mouvement ② Écran d'affichage du capteur ③ Interrupteur de lumière et réglage de la luminosité

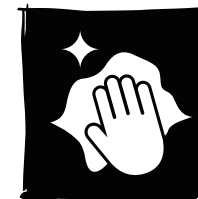
1. Lorsque l'appareil est mis sous tension, la fonction de capteur de mouvement est automatiquement activée et l'écran d'affichage du capteur s'allume. Lorsque vous entrez dans la zone inductive (0,5~1,5m), la lumière LED est allumée, lorsque vous quittez la zone inductive (0,5~1,5m), l'écran du capteur de mouvement clignote et la lumière LED s'éteint automatiquement dans les 20 secondes.
2. Touchez le commutateur d'éclairage pour accéder à la fonction manuelle. La fonction capteur et l'affichage sont désactivés. La lumière LED reste allumée jusqu'à ce que vous touchiez à nouveau l'interrupteur pour l'éteindre.

3. Lorsque l'interrupteur d'éclairage est éteint, touchez le bouton de désembuage pour désactiver le désembuage, puis maintenez longuement le bouton de désembuage pour activer la fonction de détecteur de mouvement.
4. Lorsque la lumière LED est allumée, maintenez le bouton d'éclairage enfoncé pour régler la luminosité de la lumière.
5. Touchez le bouton de désembuage pour activer/désactiver la fonction anti-buée.
6. économie d'énergie : Le miroir s'éteint automatiquement après avoir été en veille pendant 1 heure.
7. Mémoire Dernier réglage lorsque la lumière est éteinte.

Modèle 14

- ① Fonction de l'interrupteur de désembuage et du détecteur de mouvement
- ② Écran d'affichage du capteur
- ③ Interrupteur d'éclairage, réglage de la luminosité et changement de couleur de la lumière

1. Lorsque l'appareil est mis sous tension, la fonction de capteur de mouvement est automatiquement activée et l'écran d'affichage du capteur s'allume. Lorsque vous entrez dans la zone inductive (0,5~1,5m), la lumière LED est allumée, lorsque vous quittez la zone inductive (0,5~1,5m), l'écran du capteur de mouvement clignote et la lumière LED s'éteint automatiquement dans les 20 secondes.
2. Touchez le commutateur d'éclairage pour accéder à la fonction manuelle. La fonction capteur et l'affichage sont désactivés. La lumière LED reste allumée jusqu'à ce que vous touchiez à nouveau l'interrupteur pour l'éteindre.
3. Lorsque le luminaire LED est allumé, appuyez à nouveau sur l'interrupteur pour changer la couleur de la lumière: lumière froide, blanc naturel et blanc chaud. Touchez à nouveau l'interrupteur après 5s pour éteindre la lumière LED.
4. Lorsque l'interrupteur d'éclairage est éteint, touchez le bouton de désembuage pour désactiver le désembuage, puis maintenez longuement le bouton de désembuage pour activer la fonction de détecteur de mouvement.
5. Lorsque la lumière LED est allumée, maintenez le bouton d'éclairage enfoncé pour régler la luminosité de la lumière.
6. Touchez l'interrupteur de désembuage pour activer/désactiver la fonction antibuée.
7. économie d'énergie : Le miroir s'éteint automatiquement après avoir été en veille pendant 1 heure.
8. Mémoire Dernier réglage lorsque la lumière est éteinte

**Entretien et maintenance**

REMARQUE: utilisez de l'eau chaude savonneuse et un chiffon doux, humide et non pelucheux pour nettoyer le miroir. Essayez-le avec un autre chiffon propre. Un nettoyant pour vitres peut être utilisé sur la surface du miroir si nécessaire. Evitez les tampons à récurer, abrasifs et nettoyants chimiques car ils peuvent endommager le verre et le cadre. Dans les régions où l'eau est dure, du calcaire peut se déposer sur le verre. Un nettoyage régulier minimisera ce problème.

Si cette accumulation devient de plus en plus difficile à éliminer, appliquez une petite quantité de vinaigre blanc sur la zone.

- ✓ N'essayez pas de couper le verre.
- ✓ Ne frappez pas le verre avec des objectifs durs ou pointus.
- ✓ Pour réduire le risque de strangulation, le câblage flexible connecté à ce luminaire doit être fixé efficacement au mur si le câblage est à portée de main.

Remplacement de la lumière LED:

la source lumineuse contenue dans ce produit ne doit être remplacée que par le fabricant ou un électricien qualifié.

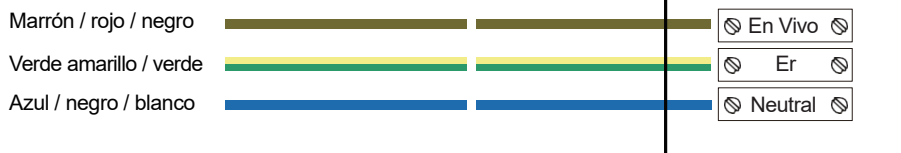
Prise de courant maximum prise rasoir : 0.5A

Bande de fréquence de fonctionnement : 2402-2480 MHz

Puissance radiofréquence maximale transmise : -2.76 dBm

Notas: Para utilizar el producto de forma segura y adecuada, el espejo debe estar conectado a los cables y la fuente de alimentación que cumpla con las regulaciones de cableado IEE. **Asegúrese de que toda la energía eléctrica esté completamente apagada. Usar una caja de conexiones u otros conectores de cables adecuados para conectar los cables de acuerdo con la fuente de alimentación principal;** la instalación debe ser realizada por un electricista profesional. Una instalación incorrecta puede provocar daños en el producto y / o lesiones personales.
*** Este producto es apto solo para uso en interiores.**

Diagrama de conexión para terminal de entrada



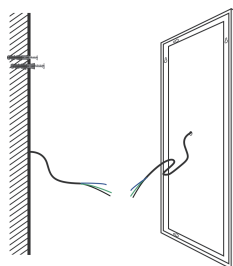
SUMINISTRO DE RED

LÁMPARA

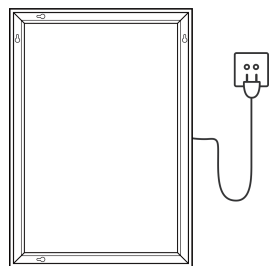
Advertencia: el sistema de puesta a tierra está diseñado en este espejo y el cable de tierra debe estar conectado para protegerle de una descarga eléctrica.

Si el cable flexible externo o el cordón de esta luminaria está dañado, deberá ser sustituido exclusivamente por el fabricante o su agente de servicio o una persona cualificada similar para evitar un peligro.

Método de conexión

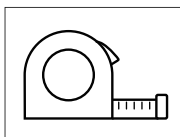


Tipo de pared empotrada

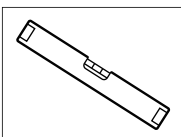


Enchufe de pared

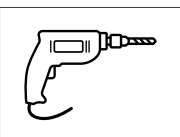
Herramientas de instalación (como se muestra a continuación)



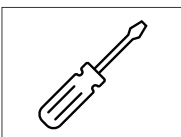
Cinta métrica



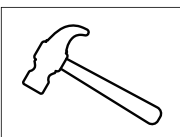
Nivel espiritual



Taladro eléctrico

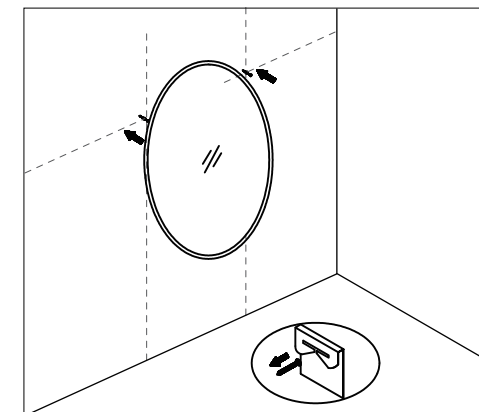
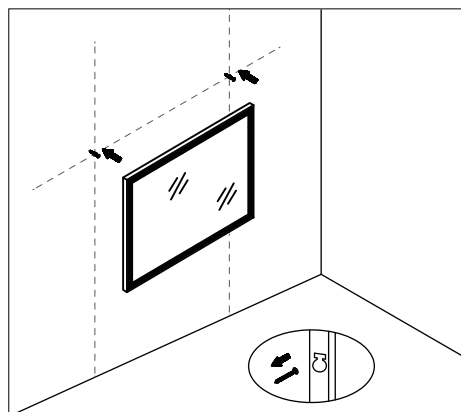
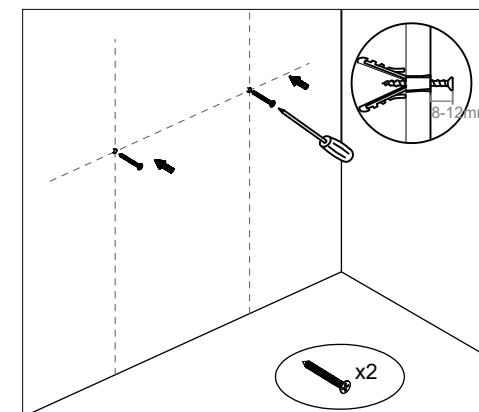
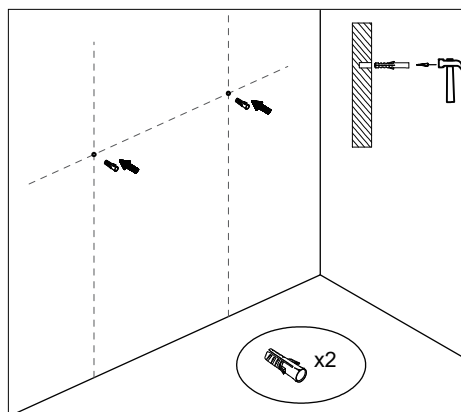
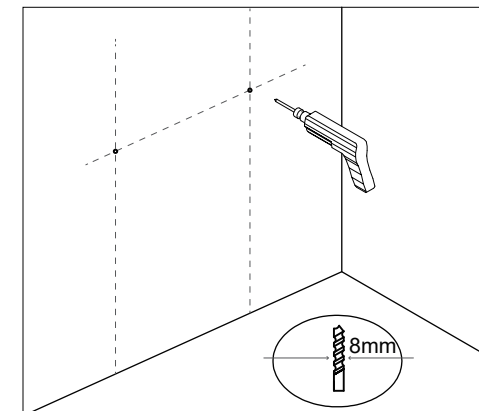
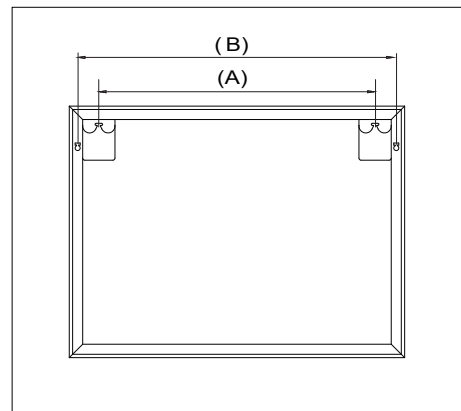


Destornillador

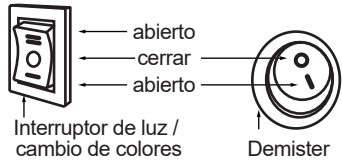







Martillo

Pasos de instalación

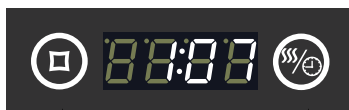


El color de la luz en el botón del interruptor es azul cuando el espejo está apagado y blanco cuando el espejo está encendido.

<p>Modelo 1</p>  <p>Interrupor de luz / cambio de colores</p> <p>Demister</p>	<ol style="list-style-type: none"> 1. Presione el botón hacia arriba para encender la luz LED cálida y presione hacia abajo para encender la luz LED fría. Presione el botón en el medio para apagar la luz LED. 2. Presione el botón Demister para activar / desactivar la función de desempañado.
<p>Modelo 2</p>  <p>Boton interruptor (Demister o ajuste de brillo)</p>	<ol style="list-style-type: none"> 1. Toque el botón del interruptor para encender la luz LED, toque nuevamente para apagarla. 2. Para el espejo con función antivaho, la almohadilla antivaho se encenderá automáticamente cuando la luz LED esté encendida. 3. Para el espejo con función de luz más tenue, mantenga presionado el botón del interruptor para ajustar el brillo de la luz.
<p>Modelo 3</p>  <p>Boton interruptor/cambio de colores/ control de brillo (o Demister)</p>	<ol style="list-style-type: none"> 1. Toque el botón del interruptor para encender la luz LED, vuelva a tocar los cambios de color de la luz fría, Blanco cálido , Blanco natural para apagar en consecuencia. 2. Mantenga presionado el botón del interruptor para ajustar el brillo. 3. Para el espejo con función antivaho, la almohadilla antivaho se encenderá automáticamente cuando la luz LED esté encendida.
<p>Modelo 4</p>  <p>① Botón de Bluetooth ② Interrupor de luz</p>	<ol style="list-style-type: none"> 1. Toque el botón del interruptor para encender la luz LED, toque nuevamente para apagarla. 2. La almohadilla antivaho se encenderá automáticamente cuando la luz LED esté encendida. 3. Toque el botón Bluetooth para activar y desactivar la función Bluetooth. Busque CS-RY01A en su dispositivo para emparejar.

<p>Modelo 5</p>  <p>① Botón de ajuste del reloj ② Interrupor de luz/cambio de colores</p>	<ol style="list-style-type: none"> 1. Toque el botón del interruptor para encender la luz LED, vuelva a tocar los cambios de color de la luz fría, Blanco cálido, Blanco natural para apagar en consecuencia. 2. Mantenga presionado el botón del interruptor para ajustar el brillo 3. Ajuste del reloj: <ol style="list-style-type: none"> a) Mantenga presionado el botón de ajuste del reloj durante 3 segundos hasta que el número de la hora comience a parpadear, toque el botón de ajuste del reloj para aumentar el número a la hora correcta mostrada (reloj de 24 horas). b) Presione y mantenga presionado el botón de ajuste del reloj nuevamente durante 3 segundos para activar el ajuste de los minutos. Cuando el número de los minutos comience a parpadear, vuelva a tocar el botón de ajuste del reloj para aumentar el número al minuto correcto que se muestra. c) Presione y mantenga presionado el botón de ajuste del reloj nuevamente durante 3 segundos o no toque ningún botón durante 5 segundos para que el número deje de parpadear para salir del modelo de ajuste del reloj.
<p>Modelo 6</p>  <p>Interrupor de luz & Botón de ajuste del reloj</p>	<ol style="list-style-type: none"> 1. Toque el botón del interruptor para encender la luz LED, toque nuevamente para apagarla. 2. Ajuste del reloj: <ol style="list-style-type: none"> a) Presione y mantenga presionado el botón de ajuste del reloj nuevamente durante 3 segundos para activar el ajuste de los minutos. Cuando el número de los minutos comience a parpadear, vuelva a tocar el botón de ajuste del reloj para aumentar el número al minuto correcto que se muestra. b) Mantenga presionado el botón de ajuste del reloj durante 3 segundos hasta que el número de la hora comience a parpadear, toque el botón de ajuste del reloj para aumentar el número a la hora correcta mostrada (reloj de 24 horas). c) Presione y mantenga presionado el botón de ajuste del reloj nuevamente durante 3 segundos o no toque ningún botón durante 5 segundos para que el número deje de parpadear para salir del modelo de ajuste del reloj.

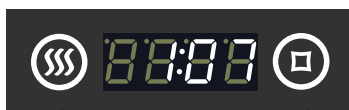
Modelo 7



- ① Interruptor de luz/cambio de colores
- ② Demister/Botón de ajuste del reloj

1. Toque el botón del interruptor para encender la luz LED, vuelva a tocar los cambios de color de la luz fría, Blanco cálido, Blanco natural para apagar en consecuencia.
 2. Mantenga presionado el botón del interruptor para ajustar el brillo.
 3. Toque el botón Demister para activar / desactivar la función antivaho.
- a) Presione y mantenga presionado el botón de ajuste del reloj nuevamente durante 3 segundos para activar el ajuste de los minutos. Cuando el número de los minutos comience a parpadear, vuelva a tocar el botón de ajuste del reloj para aumentar el número al minuto correcto que se muestra.
- b) Mantenga presionado el botón de ajuste del reloj durante 3 segundos hasta que el número de la hora comience a parpadear, toque el botón de ajuste del reloj para aumentar el número a la hora correcta mostrada (reloj de 24 horas).
- c) Presione y mantenga presionado el botón de ajuste del reloj nuevamente durante 3 segundos o no toque ningún botón durante 5 segundos para que el número deje de parpadear para salir del modelo de ajuste del reloj.

Modelo 8



- ① Demister
- ② Interruptor de luz/ Botón de ajuste del reloj

1. Toque el botón del interruptor para encender la luz LED, toque nuevamente para apagarla.
 2. Toque el botón Desempañador para activar / desactivar la función antivaho.
 3. Ajuste del reloj:
- a) Presione y mantenga presionado el botón de ajuste del reloj nuevamente durante 3 segundos para activar el ajuste de los minutos. Cuando el número de los minutos comience a parpadear, vuelva a tocar el botón de ajuste del reloj para aumentar el número al minuto correcto que se muestra.
- b) Mantenga presionado el botón de ajuste del reloj durante 3 segundos hasta que el número de la hora comience a parpadear, toque el botón de ajuste del reloj para aumentar el número a la hora correcta mostrada (reloj de 24 horas).
- c) Presione y mantenga presionado el botón de ajuste del reloj nuevamente durante 3 segundos o no toque ningún botón durante 5 segundos para que el número deje de parpadear para salir del modelo de ajuste del reloj.

Modelo 9



- ① Abajo
- ② Arriba
- ③ Botón de ajuste del reloj/Orador Payse & Start
- ④ Bluetooth
- ⑤ Demister
- ⑥ Luz encendida / apagada/control de brillo

A: Encender / apagar

1. Toque el botón ENCENDIDO / APAGADO ⑥, la luz LED se encenderá / apagará.
2. Mantenga pulsado el botón ON / OFF ⑥ para ajustar el brillo de la luz del 5% al 100%.

B: Antivaho

Toque el botón Desempañador ⑤ para activar / desactivar la función antivaho. El icono del desempañador se iluminará en la pantalla cuando su función esté activada.

C: Altavoz Bluetooth

1. Toque el botón Bluetooth ④.
2. Active la función Bluetooth en su teléfono y busque CS-5012A para conectarse.
3. Cuando el Bluetooth se haya conectado correctamente, el espejo funcionará como un altavoz.
4. Toque el botón ③ para pausar / reiniciar el altavoz si es necesario.
5. Mientras el altavoz está encendido, toque el botón ① para elegir la música anterior y toque ② para cambiar a la siguiente.
6. Para ajustar el volumen, mantenga presionado el botón ① o ② para aumentar o disminuir el volumen de 0 a 30.

D: Restablecer la fecha y la hora

1. Mantenga presionado el botón ③ durante 3 segundos hasta que el número de los minutos comience a parpadear. Toque el botón ② o ① para aumentar o disminuir el número al minuto correcto.
2. Toque el botón ③ para restablecer la hora. Cuando el número de la hora comience a parpadear, toque el botón ② o ① para aumentar o disminuir el número a la hora correcta.
3. Repita el paso 2 para restablecer el año, el mes y el día según corresponda.
4. Pulse el botón ③ de nuevo o no realice ninguna operación durante 5 segundos hasta que el número deje de parpadear para salir del modelo de ajuste del reloj.

E: Botones arriba y abajo

1. Toque el botón ① para seleccionar la música anterior y toque el botón ② para pasar a la siguiente música.
2. Mantenga pulsado el botón ① o ② para aumentar o disminuir el volumen de 0 a 30.

Modelo 10



- ① Bluetooth ② Demister/Botón de ajuste del reloj
- ③ Interruptor de luz/cambio de colores/control de brillo

A: Interruptor de luz / Cambio de colores / Ajuste de brillo

1. Toque el botón del interruptor ③ en el espejo, la luz LED se enciende.
2. Cambiar los colores de la luz: toque el botón de interruptor ③ (menos de 1 segundo), el color de la luz LED cambiará sucesivamente de la luz fría, Blanco cálido, Blanco natural y luego apague la luz.
3. Para el modelo de brillo ajustable: mantenga presionado el botón del interruptor hasta que la luz comience a cambiar el brillo. El brillo de la luz se puede ajustar del 5% al 100%. Suelte el botón del interruptor para guardar el cambio una vez terminado.

B: Antivaho / Restablecer la hora y la fecha

Anti niebla:

Toca el interruptor antivaho ② para activar / desactivar la función Antivaho. Una señal de desempañador se iluminará en la pantalla cuando la función antiniebla esté activada.

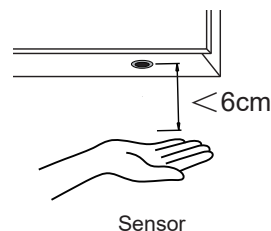
Restablecer la fecha y la hora:

1. Mantenga presionado el botón ② durante 3 segundos hasta que el número del año comience a parpadear. Toque el botón ② o ① para aumentar o disminuir el número al año correcto.
2. Pulse el botón ② para restablecer el mes y el día. Cuando el número de mes y día comience a parpadear, toque el botón ② o el botón ① para aumentar o disminuir el número al mes y día correctos.
3. Repita el paso 2 para restablecer los minutos y la hora en consecuencia.
4. Pulse el botón ② de nuevo o no realice ninguna operación durante 5 segundos hasta que el número deje de parpadear para salir del modelo de ajuste del reloj.

C: Altavoz Bluetooth

1. Toque el botón Bluetooth ① para activar la función de altavoz Bluetooth.
2. Encienda la función Bluetooth en su teléfono y busque CS-RY01A para conectarse.
3. Cuando el Bluetooth se haya conectado correctamente. Juega y sube / baja el volumen de tu teléfono.

Modelo 11



1. Dentro del alcance de una distancia válida (dentro de los 6 cm), la luz LED se puede cambiar, Encendido y apagado agitando suavemente la mano para cruzar el área debajo del sensor.
2. Para el espejo con función antivaho, la almohadilla antivaho se encenderá automáticamente cuando la luz LED esté encendida.

Notas: El sensor debe colocarse al menos 50 cm por encima de cualquier objeto (como grifo, fregadero y dispensador de jabón) para evitar cualquier interferencia. Mantenga también el área del sensor lo más despejada posible porque colocando, Los objetivos debajo del sensor pueden evitar que el sensor funcione correctamente.

Modelo 12



- ① Botón de cambio
- ② Botón de ajuste de brillo y color de la luz

1. Cuando la luz LED esté encendida, toque el botón M para cambiar el color de la luz entre luz diurna, blanco cálido y blanco natural.
2. Cuando la luz LED esté encendida, toque el botón M para cambiar el color de la luz fría, Blanco cálido, Blanco natural.
3. Cuando la luz LED esté encendida, mantenga presionado el botón de ajuste de brillo y color de la luz para ajustar el brillo de la luz.
4. Ahorro de energía: el espejo se apagará automáticamente después de estar en espera durante 3 horas.

Modelo 13



- ① Interruptor antivaho y función de sensor de movimiento
- ② Pantalla de visualización del sensor
- ③ Interruptor de luz y ajuste de brillo

1. Cuando se aplica la alimentación, la función de sensor de movimiento se activa automáticamente y la pantalla de visualización del sensor se ilumina. Al entrar en la zona inductiva (0,5~1,5m), la luz LED se enciende, al salir de la zona inductiva (0,5~1,5m), la pantalla del sensor de movimiento parpadea y la luz LED se apaga automáticamente en 20 segundos.
2. Toque el interruptor de la luz para acceder a la función manual. La función del sensor y la pantalla se apagan. Y la luz LED permanecerá encendida hasta que vuelva a tocar el interruptor de la luz para apagarla.

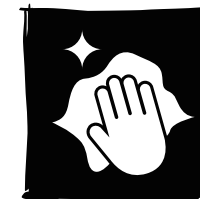
3. Cuando el interruptor de la luz esté apagado, pulse el botón antivaho para apagarlo y manténgalo pulsado de nuevo para activar la función de sensor de movimiento.
4. Cuando la luz LED esté encendida, mantenga pulsado el interruptor de luz para ajustar el brillo de la luz.
5. Toque el interruptor antivaho para activar/desactivar la función antivaho.
6. Ahorro de energía: El espejo se apagará automáticamente después de estar en stand by durante 1 hora
7. Memoria de último ajuste cuando se apaga la luz

Modelo 14



- ① Interruptor antivaho y función de sensor de movimiento
- ② Pantalla de visualización del sensor
- ③ Interruptor de luz, ajuste de brillo e interruptor de color de luz

1. Cuando se aplica la alimentación, la función de sensor de movimiento se activa automáticamente y la pantalla de visualización del sensor se ilumina. Al entrar en la zona inductiva (0,5~1,5m), la luz LED se enciende, al salir de la zona inductiva (0,5~1,5m), la pantalla del sensor de movimiento parpadea y la luz LED se apaga automáticamente en 20 segundos.
2. Toque el interruptor de la luz para acceder a la función manual. La función del sensor y la pantalla se apagan. Y la luz LED permanecerá encendida hasta que vuelva a tocar el interruptor de la luz para apagarla.
3. Cuando la luz LED esté encendida, vuelve a tocar el interruptor de la luz para cambiar el color de la luz entre luz fría, blanco natural y blanco cálido. Toca de nuevo el interruptor después de 5 segundos para apagar la luz LED.
4. Cuando el interruptor de la luz esté apagado, pulse el botón antivaho para apagarlo y manténgalo pulsado de nuevo para activar la función de sensor de movimiento.
5. Cuando la luz LED esté encendida, mantenga pulsado el interruptor de luz para ajustar el brillo de la luz.
6. Toque el interruptor antivaho para activar/desactivar la función antivaho.
7. Ahorro de energía: El espejo se apagará automáticamente después de estar en stand by durante 1 hora.
8. Memoria de último ajuste cuando se apaga la luz.



Cuidado y mantenimiento

NOTA: Use agua tibia con jabón y un paño suave, húmedo y sin pelusa para limpiar el espejo. Secarlo con otro paño limpio. El limpiacristales se puede utilizar en la superficie del espejo cuando sea necesario. Evite los estropajos, abrasivos y limpiadores químicos, ya que pueden dañar el vidrio y el marco. En áreas de agua dura, la cal puede depositarse en el vidrio. La limpieza regular minimizará este problema. Si esta acumulación se vuelve cada vez más difícil de eliminar, aplique una pequeña cantidad de vinagre blanco en el área.

- No intente cortar el vidrio.
- No golpee el cristal con objetivos duros o afilados.
- Para reducir el riesgo de estrangulamiento, el cableado flexible conectado a esta luminaria deberá estar efectivamente fijado a la pared si el cableado está al alcance del brazo.

Reemplazo de la luz LED:

la fuente de luz contenida en este producto solo debe ser reemplazada por el fabricante o un electricista calificado.

Salida de corriente máxima del enchufe de la afeitadora: 0.5A

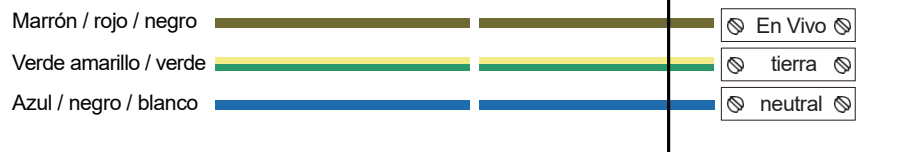
Banda de frecuencia de funcionamiento: 2402-2480 MHz

Potencia máxima de radiofrecuencia transmitida: -2.76 dBm

Note: Per utilizzare il prodotto in modo sicuro e corretto, lo specchio deve essere collegato ai fili e l'alimentatore conforme alle normative sul cablaggio IEE. Assicurarsi che tutta l'alimentazione elettrica sia stata completamente spenta. Utilizzando una scatola di giunzione o altri connettori per cavi adeguati per collegare i cavi in base all'alimentazione principale; L'installazione deve essere eseguita da un elettricista professionista. L'errata installazione può causare danni al prodotto o/e lesioni personali.

* Questo prodotto è adatto solo per uso interno.

Diagrama de cableado para terminal de entrada



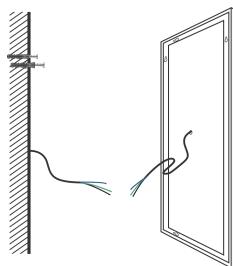
SUMINISTRO DE RED

Avvertenza: il sistema di messa a terra è progettato in questo specchio e il cavo di terra deve essere collegato per proteggerti da una scossa elettrica.

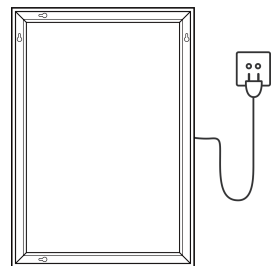
se il cavo flessibile esterno o il cavo di questo apparecchio è danneggiato, deve essere sostituito esclusivamente dal produttore o dal suo agente di assistenza o da una persona qualificata simile, al fine di evitare un pericolo.

LUMINARIA

Método de conexión

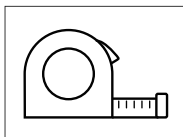


Tipo de muro enterrado de alambre

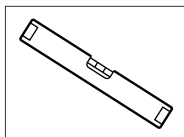


Enchufe de pared

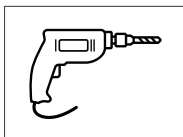
Strumenti di installazione (come mostrato di seguito)



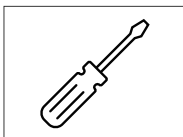
Metro A nastro



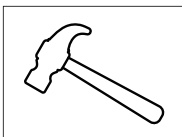
Livello di spirito



Trapano elettrico

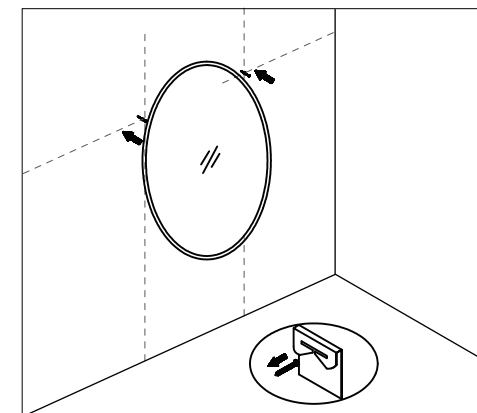
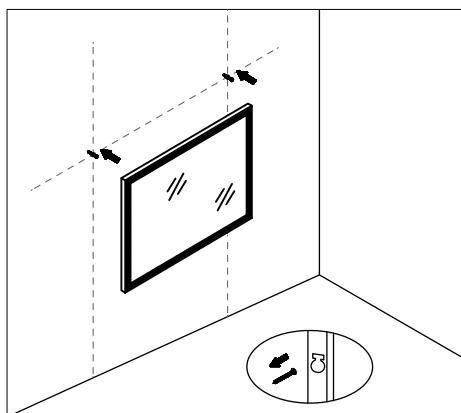
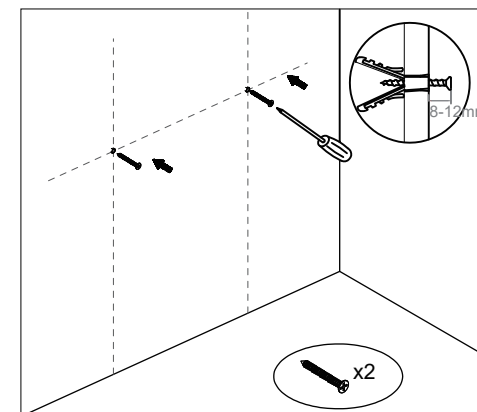
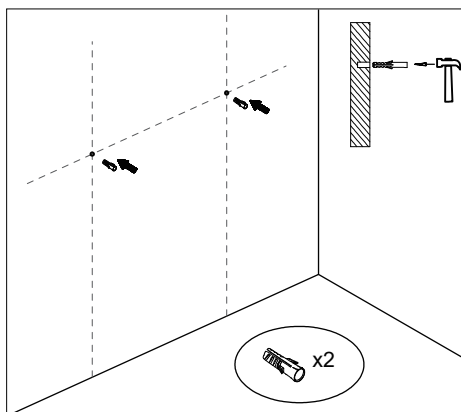
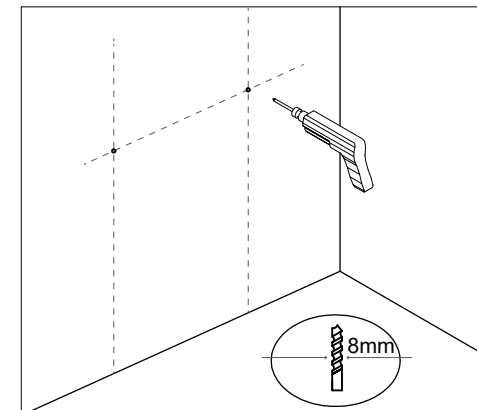
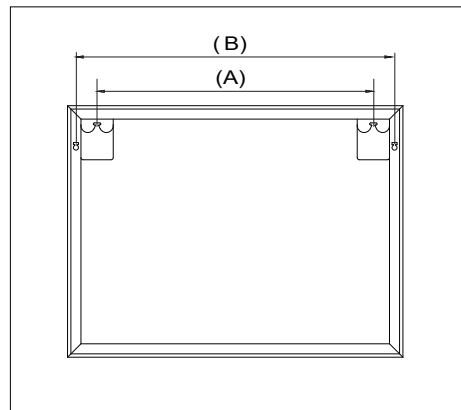


Cacciavite







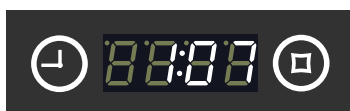

Martello

Fasi di installazione

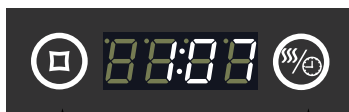


The light colour on the switch button is blue when the mirror is off, and white when the mirror is switched on.

<p>Modello 1</p> 	<ol style="list-style-type: none"> Spingere il pulsante verso l'alto per accendere la luce LED calda e premere verso il basso per accendere la luce LED fredda. Premere il pulsante al centro per spegnere la luce LED. Premere il pulsante antiappannamento per attivare/disattivare la funzione antiappannamento.
<p>Modello 2</p> 	<ol style="list-style-type: none"> Toccare il pulsante dell'interruttore per accendere la luce LED, toccare di nuovo per spegnere. Per lo specchio con funzione antiappannamento, il pad antiappannamento si accende automaticamente quando la luce LED è accesa. Per lo specchio con funzione di luce attenuata, premere a lungo il pulsante di commutazione per regolare la luminosità della luce.
<p>Modello 3</p> 	<ol style="list-style-type: none"> Toccare il pulsante dell'interruttore per accendere la luce LED, toccare nuovamente il colore della luce LED per passare da luce fredda, Warm White, Natural White per spegnersi di conseguenza. Premere a lungo il pulsante interruttore per regolare la luminosità. Per lo specchio con funzione antiappannamento, il pad antiappannamento si accende automaticamente quando la luce LED è accesa.
<p>Modello 4</p> 	<ol style="list-style-type: none"> Toccare il pulsante dell'interruttore per accendere la luce LED, toccare di nuovo per spegnere. Il dispositivo antiappannamento si accenderà automaticamente quando la luce LED è accesa. Toccare il pulsante Bluetooth per attivare e disattivare la funzione Bluetooth. Cerca CS-RY01A sul tuo dispositivo da accoppiare.

<p>Modello 5</p> 	<ol style="list-style-type: none"> Toccare il pulsante dell'interruttore per accendere la luce LED, toccare nuovamente il colore della luce LED per passare da luce fredda, Warm White, Natural White per spegnersi di conseguenza. Premere a lungo il pulsante interruttore per regolare la luminosità. Impostazione dell'orologio: <ol style="list-style-type: none"> Tenere premuto il pulsante di impostazione dell'orologio per 3 secondi finché il numero dell'ora non inizia a lampeggiare, toccare il pulsante di impostazione dell'orologio per aumentare il numero fino all'ora corretta visualizzata (24 ore). Tenere premuto nuovamente il pulsante di impostazione dell'orologio per 3 secondi per attivare l'impostazione dei minuti. Quando il numero dei minuti inizia a lampeggiare, toccare nuovamente il pulsante di impostazione dell'orologio per aumentare il numero fino al minuto corretto visualizzato. Tenere premuto nuovamente il pulsante di impostazione dell'orologio per 3 secondi o non toccare alcun pulsante per 5 secondi per far smettere di lampeggiare il numero per uscire dal modello di impostazione dell'orologio.
<p>Modello 6</p> 	<ol style="list-style-type: none"> Toccare il pulsante dell'interruttore per accendere la luce LED, toccare nuovamente il colore della luce LED per passare da Daylight, Warm White a Natural White per spegnersi di conseguenza. Premere a lungo il pulsante interruttore per regolare la luminosità. Toccare il pulsante Antiappannamento per attivare/disattivare la funzione antiappannamento. <ol style="list-style-type: none"> Tenere premuto nuovamente il pulsante di impostazione dell'orologio per 3 secondi per attivare l'impostazione dei minuti. Quando il numero dei minuti inizia a lampeggiare, toccare nuovamente il pulsante di impostazione dell'orologio per aumentare il numero fino al minuto corretto visualizzato. Tenere premuto il pulsante di impostazione dell'orologio per 3 secondi finché il numero dell'ora non inizia a lampeggiare, toccare il pulsante di impostazione dell'orologio per aumentare il numero fino all'ora corretta visualizzata (orologio a 24 ore). Tenere premuto nuovamente il pulsante di impostazione dell'orologio per 3 secondi o non toccare alcun pulsante per 5 secondi per far smettere di lampeggiare il numero per uscire dal modello di impostazione dell'orologio.

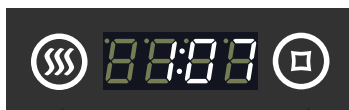
Modello 7



- ① Interruttore luce/cambio colori ② antiappannamento/
Pulsante di impostazione dell'orologio

1. Toccare il pulsante dell'interruttore per accendere la luce LED, toccare nuovamente il colore della luce LED per passare da luce fredda, Warm White, Natural White per spegnersi di conseguenza.
2. Premere a lungo il pulsante interruttore per regolare la luminosità.
3. Toccare il pulsante Antiappannamento per attivare/disattivare la funzione antiappannamento.
 - a) Tenere premuto nuovamente il pulsante di impostazione dell'orologio per 3 secondi per attivare l'impostazione dei minuti. Quando il numero dei minuti inizia a lampeggiare, toccare nuovamente il pulsante di impostazione dell'orologio per aumentare il numero fino al minuto corretto visualizzato.
 - b) Tenere premuto il pulsante di impostazione dell'orologio per 3 secondi finché il numero dell'ora non inizia a lampeggiare, toccare il pulsante di impostazione dell'orologio per aumentare il numero fino all'ora corretta visualizzata (orologio a 24 ore).
 - c) Tenere premuto nuovamente il pulsante di impostazione dell'orologio per 3 secondi o non toccare alcun pulsante per 5 secondi per far smettere di lampeggiare il numero per uscire dal modello di impostazione dell'orologio.

Modello 8



- ① antiappannamento ② Interruttore luce/
Pulsante di impostazione dell'orologio

1. Toccare il pulsante dell'interruttore per accendere la luce LED, toccare di nuovo per spegnere.
2. Toccare il pulsante Antiappannamento per attivare/disattivare la funzione antiappannamento.
3. Impostazione dell'orologio:
 - a) Tenere premuto nuovamente il pulsante di impostazione dell'orologio per 3 secondi per attivare l'impostazione dei minuti. Quando il numero dei minuti inizia a lampeggiare, toccare nuovamente il pulsante di impostazione dell'orologio per aumentare il numero fino al minuto corretto visualizzato.
 - b) Tenere premuto il pulsante di impostazione dell'orologio per 3 secondi finché il numero dell'ora non inizia a lampeggiare, toccare il pulsante di impostazione dell'orologio per aumentare il numero fino all'ora corretta visualizzata (orologio a 24 ore).
 - c) Tenere premuto nuovamente il pulsante di impostazione dell'orologio per 3 secondi o non toccare alcun pulsante per 5 secondi per far smettere di lampeggiare il numero per uscire dal modello di impostazione dell'orologio.

Modello 9



- ① Giù ② Su ③ Pulsante di impostazione /
altoparlante Payse&Start ④ Bluetooth ⑤ Demister
⑥ Luce on/off/Regolazione luminosità

A: Accensione/spengimento

1. Toccare il pulsante ON/OFF ⑥, la luce LED si accenderà/spegnerà.
2. Tenere premuto a lungo il pulsante ON/OFF ⑥ per regolare la luminosità della luce dal 5% al 100%.

B: Antiappannamento

Tocca il pulsante Antiappannamento ⑤ per attivare/disattivare la funzione antiappannamento. L'icona di sbrinamento si accenderà sullo schermo del display quando la sua funzione è attiva.

C: Altoparlante Bluetooth

1. Tocca il pulsante Bluetooth ④.
2. Attivare la funzione Bluetooth sul telefono e cercare CS-5012A per la connessione.
3. Quando il Bluetooth è stato connesso con successo, lo specchio funzionerà come un altoparlante.
4. Toccare il pulsante ③ per mettere in pausa/riavviare l'altoparlante, se necessario.
5. Mentre l'altoparlante è acceso, toccare il pulsante ① per selezionare la musica precedente e toccare ② per passare a quella successiva.
6. Per regolare il volume, tenere premuto a lungo il pulsante ① o ② per aumentare o diminuire il volume da 0 a 30.

D: Reimposta l'ora e la data

1. Tenere premuto il pulsante ③ per 3 secondi finché il numero dei minuti non inizia a lampeggiare. Toccare il pulsante ② o ① per aumentare o diminuire il numero fino al minuto corretto.
2. Toccare il pulsante ③ per reimpostare l'ora. Quando il numero dell'ora inizia a lampeggiare, toccare il pulsante ② o ① per aumentare o diminuire il numero fino all'ora corretta.
3. Ripetere il passaggio 2 per reimpostare l'anno, il mese e il giorno di conseguenza.
4. Toccare nuovamente il pulsante ③ o non eseguire alcuna operazione per 5 secondi finché il numero non smette di lampeggiare per uscire dal modello di impostazione dell'orologio.

E: Pulsanti Su e Giù

1. Toccare il pulsante ① per ascoltare la musica precedente e toccare il pulsante ② per passare alla musica successiva.
2. Tenere premuto a lungo il pulsante ① o ② per aumentare o diminuire il volume da 0 a 30.

Modello 10



① Bluetooth ② antiappannamento/
Pulsante di impostazione
dell'orologio

③ Interruttore luce/cambio
colori/Regolazione luminosità

A: Interruttore della luce/cambio colori/regolazione luminosità

1. Toccare il pulsante dell'interruttore ③ sullo specchio, la luce LED si accende.
2. Modifica dei colori della luce: toccare il pulsante di commutazione ③ (meno di 1 secondo), il colore della luce del LED cambierà successivamente da luce fredda, Warm White, Natural White quindi spegnere la luce.
3. Per il modello regolabile in luminosità: tenere premuto a lungo il pulsante dell'interruttore fino a quando la luce non inizia a cambiare luminosità. La luminosità della luce può essere regolata dal 5% al 100%. Rilasciare il pulsante di commutazione per salvare la modifica al termine.

B: Anti-appannamento/Ripristina l'ora e la data

Anti nebbia:

Tocca l'interruttore antiappannamento ② per attivare/disattivare la funzione antiappannamento. Quando la funzione antiappannamento è attiva, sullo schermo del display si accenderà un segnale antiappannamento.

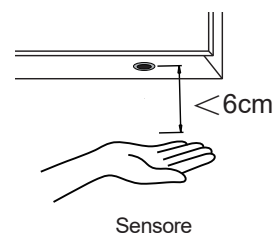
Reimposta l'ora e la data:

1. Tenere premuto il pulsante ② per 3 secondi finché il numero dell'anno non inizia a lampeggiare. Toccare il pulsante ② o ① per aumentare o diminuire il numero fino all'anno corretto.
2. Premere il pulsante ② per azzerare il mese e il giorno. Quando il numero del mese e del giorno iniziano a lampeggiare, toccare il pulsante ② o il pulsante ① per aumentare o diminuire il numero fino al mese e al giorno corretti.
3. Ripetere il passaggio 2 per reimpostare i minuti e le ore di conseguenza.
4. Premere nuovamente il pulsante ② o non eseguire alcuna operazione per 5 secondi fino a quando il numero smette di lampeggiare per uscire dal modello di impostazione dell'orologio.

C: Altoparlante Bluetooth

1. Toccare il pulsante Bluetooth ① per attivare la funzione Altoparlante Bluetooth.
2. Attivare la funzione Bluetooth sul telefono e cercare CS-RY01A per la connessione.
3. Quando il Bluetooth è stato connesso con successo. Riproduci e alza/abbassa il volume del telefono.

Modello 11



1. Nell'ambito di una distanza valida (entro 6 cm), la luce LED può essere commutata, accendere e spegnere muovendo delicatamente la mano per attraversare l'area sotto il sensore.
2. Per lo specchio con funzione antiappannamento, il pad antiappannamento si accende automaticamente quando la luce LED è accesa.

Nota :

il sensore deve essere posizionato ad almeno 50 cm sopra qualsiasi oggetto (come rubinetto, lavandino e distributore di sapone) per evitare qualsiasi interferenza. Si prega inoltre di mantenere l'area del sensore il più chiara possibile perché mettendo, obiettivi sotto il sensore possono impedire al sensore di funzionare correttamente.

Modello 12



① Pulsante
interruttore

② BPulsante di
regolazione del
colore della luce
e della luminosità

1. Premere il pulsante dell'interruttore per accendere e spegnere la luce LED.
2. Quando la luce LED è accesa, toccare il pulsante M per cambiare il colore della luce tra luce fredda, Warm White, Natural White.
3. Quando la luce LED è accesa, tenere premuto a lungo il pulsante M per regolare la luminosità della luce.
4. Risparmio energetico: lo specchio si spegne automaticamente dopo essere stato in stand by per 3 ore.

Modello 13



① Funzione di interruttore demister
e sensore di movimento

② Schermo di visualizzazione
del sensore

③ Interruttore della luce e
regolazione della luminosità

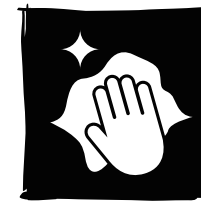
1. Quando si applica l'alimentazione, la funzione del sensore di movimento si attiva automaticamente e la schermata di visualizzazione del sensore si accende. Quando si entra nella zona induttiva (0,5~1,5 m), la luce LED è accesa; quando si esce dalla zona induttiva (0,5~1,5 m), il display del sensore di movimento lampeggia e la luce LED si spegne automaticamente entro 20 secondi.
2. Toccare l'interruttore luminoso per accedere alla funzione manuale. La funzione sensore e il display si spengono. La luce LED rimane accesa finché non si tocca nuovamente l'interruttore per spegnerla.

- Quando l'interruttore della luce è spento, toccare il pulsante dell'impianto di disappannamento per spegnerlo, quindi tenere premuto a lungo il pulsante dell'impianto di disappannamento per attivare la funzione del sensore di movimento.
- Quando la luce LED è accesa, tenere premuto a lungo l'interruttore della luce per regolare la luminosità della luce.
- Toccare l'interruttore del demister per attivare/disattivare la funzione antiappannamento.
- Risparmio energetico: Lo specchio si spegne automaticamente dopo essere rimasto in stand by per 1 ora.
- Memoria Ultima impostazione a luce spenta

Modello 14

- Funzione di interruttore demister e sensore di movimento
- Schermo di visualizzazione del sensore
- Interruttore della luce, regolazione della luminosità e interruttore del colore della luce

- Quando si applica l'alimentazione, la funzione del sensore di movimento si attiva automaticamente e la schermata di visualizzazione del sensore si accende. Quando si entra nella zona induttiva (0,5~1,5 m), la luce LED è accesa; quando si esce dalla zona induttiva (0,5~1,5 m), il display del sensore di movimento lampeggia e la luce LED si spegne automaticamente entro 20 secondi.
- Toccare l'interruttore luminoso per accedere alla funzione manuale. La funzione sensore e il display si spengono. La luce LED rimane accesa finché non si tocca nuovamente l'interruttore per spegnerla.
- Quando la luce LED è accesa, toccare nuovamente l'interruttore per cambiare il colore della luce tra luce fredda, bianco naturale e bianco caldo. Toccare nuovamente l'interruttore della luce dopo 5 secondi per spegnere la luce LED.
- Quando l'interruttore della luce è spento, toccare il pulsante dell'impianto di disappannamento per spegnerlo, quindi tenere premuto a lungo il pulsante dell'impianto di disappannamento per attivare la funzione del sensore di movimento.
- Quando la luce LED è accesa, tenere premuto a lungo l'interruttore della luce per regolare la luminosità della luce.
- Toccare l'interruttore del demister per attivare/disattivare la funzione antiappannamento.
- Risparmio energetico: Lo specchio si spegne automaticamente dopo essere rimasto in stand by per 1 ora.
- Memoria Ultima impostazione a luce spenta.

**Cura e manutenzione**

NOTA: utilizzare acqua calda e sapone e un panno morbido, umido e privo di lanugine per pulire lo specchio. Asciugalo con un altro panno pulito. Se necessario, è possibile utilizzare un detergente per vetri sulla superficie dello specchio. Evita le pagliette, abrasivi e detergenti chimici in quanto possono danneggiare il vetro e la cornice. Nelle zone con acqua dura, il calcare può depositarsi sul vetro. Una pulizia regolare ridurrà al minimo questo problema. Se questo accumulo diventa sempre più difficile da rimuovere, applica una piccola quantità di aceto bianco sulla zona.

- Non tentare di tagliare il vetro.
- Non colpire il vetro con obiettivi duri o affilati.
- Per ridurre il rischio di strangolamento, il cavo flessibile collegato a questo apparecchio deve essere efficacemente fissato alla parete se il cavo è a portata di mano.

Sostituzione della luce a LED:

la sorgente luminosa contenuta in questo prodotto deve essere sostituita solo dal produttore o da un elettricista qualificato.

Presa di corrente massima presa rasoio: 0.5A

Banda di frequenza operativa: 2402-2480 MHz

Potenza massima in radiofrequenza trasmessa: -2.76 dBm

Uwagi: Aby bezpiecznie i prawidłowo korzystać z produktu, lustro musi być podłączone do przewodów oraz zasilacz, który jest zgodny z przepisami dotyczącymi okablowania IEE. Upewnij się, że całe zasilanie elektryczne zostało całkowicie wyłączone. Wykorzystanie puszek połączeniowej lub innych odpowiednich złączy przewodów do podłączenia przewodów zgodnie z głównym zasilaniem; Instalacja musi być wykonana przez profesjonalnego elektryka. Nieprawidłowa instalacja może prowadzić do uszkodzenia produktu lub/i obrażeń ciała.

* Ten produkt nadaje się wyłącznie do użytku w pomieszczeniach.

Schemat połączeń dla zacisku wejściowego



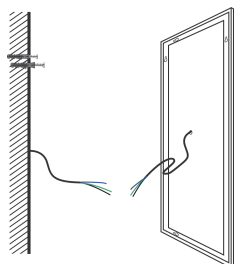
ZASILANIE SIECIOWE

LAMPA

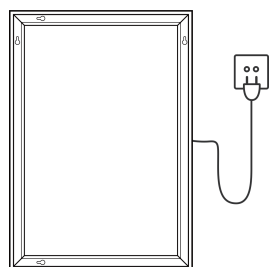
Ostrzeżenie: System uziemienia jest zaprojektowany w tym lustrze, a przewód uziemiający musi być podłączony aby chronić Cię przed porażeniem prądem.

Jeśli zewnętrzny elastyczny kabel lub przewód tej oprawy jest uszkodzony, powinien on zostać wymieniony wyłącznie przez producenta lub jego przedstawiciela serwisowego lub podobną wykwalifikowaną osobę w celu uniknięcia zagrożenia.

Metoda połączenia

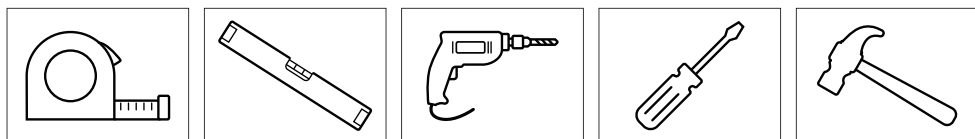


Typ ściany wpuszczanej



Wtyczka ścienna

Narzędzia instalacyjne (jak pokazano poniżej)



Taśma miernicza

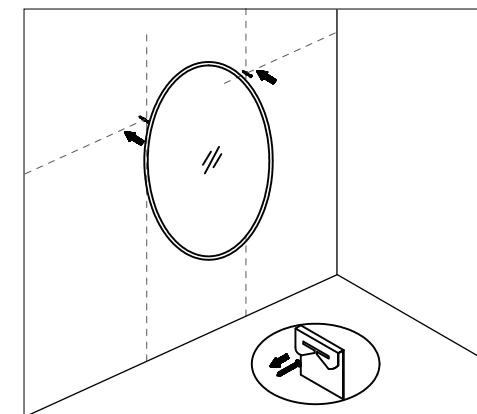
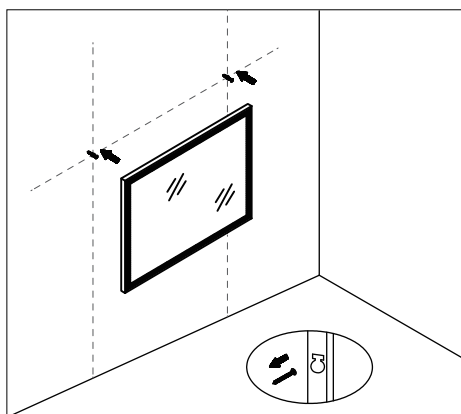
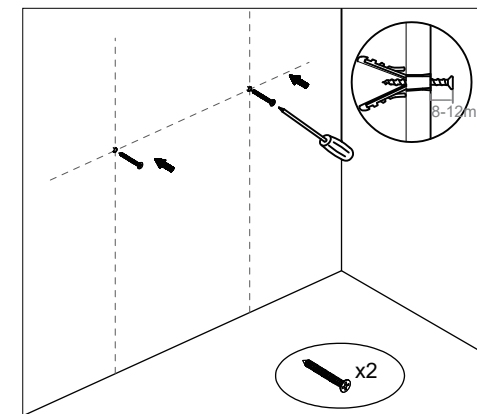
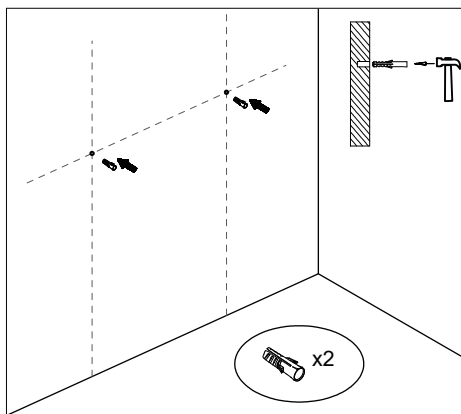
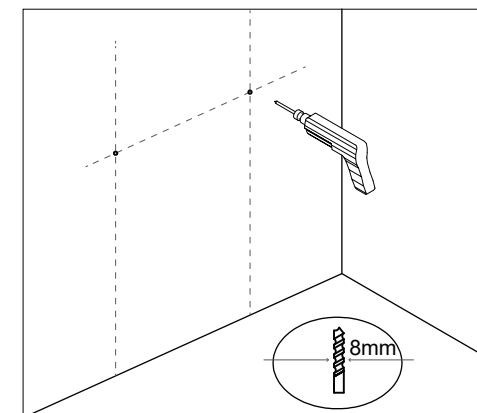
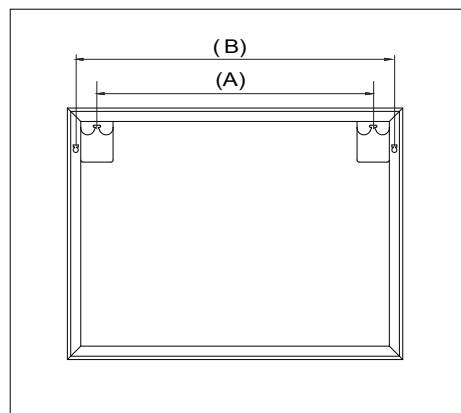
Poziom duchowy

Wiertarka elektryczna

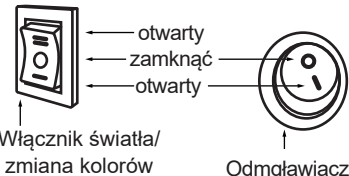



Śrubokręt



Młot

Kroki instalacji

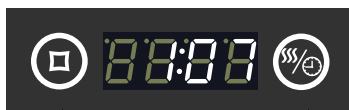


Kolor światła na przycisku przełącznika jest niebieski, gdy lustro jest wyłączone, i biały, gdy lustro jest włączone.

<p>Model 1</p>  <p>otwarty zamknięt otwarty</p> <p>Włącznik światła/ zmiana kolorów</p> <p>Odmgławiacz</p>	<ol style="list-style-type: none"> Naciśnij przycisk w górę, aby włączyć ciepłe światło LED i naciśnij w dół, aby włączyć zimne światło LED. Naciśnij przycisk pośrodku, aby wyłączyć światło LED. Naciśnij przycisk odmgławiacza, aby włączyć/wyłączyć funkcję odmgławiacza.
<p>Model 2</p>  <p>Przycisk przełączania (Odmgławiacz lub Regulacja jasności)</p>	<ol style="list-style-type: none"> Dotknij przycisku przełącznika, aby włączyć światło LED, dotknij ponownie, aby wyłączyć. W przypadku lustra z funkcją odmgławiacza podkładka odmgławiacza włączy się automatycznie po włączeniu światła LED. W przypadku lustra z funkcją przyciemniania światła naciśnij i przytrzymaj przycisk przełącznika, aby dostosować jasność światła.
<p>Model 3</p>  <p>Przycisk przełączania/ zmiana kolorów/kontrola jasności (lub Odmgławiacz)</p>	<ol style="list-style-type: none"> Dotknij przycisku przełącznika, aby włączyć światło LED, dotknij ponownie, aby kolor światła LED zmienił się ze światła chłodne światło, bieli ciepłej, bieli naturalne aby odpowiednio wyłączyć. Długo naciśnij przycisk przełącznika, aby wyregulować jasność; W przypadku lustra z funkcją odmgławiacza podkładka odmgławiacza włączy się automatycznie po włączeniu światła LED.
<p>Model 4</p>  <p>① Przycisk Bluetooth ② Włącznik światła</p>	<ol style="list-style-type: none"> Dotknij przycisku przełącznika, aby włączyć światło LED, dotknij ponownie, aby wyłączyć. Podkładka odmgławiacza włączy się automatycznie, gdy zaświeci się dioda LED. Dotknij przycisku Bluetooth, aby włączyć lub wyłączyć funkcję Bluetooth. Wyszukaj CS-RY01A na swoim urządzeniu, aby sparować.

<p>Model 5</p>  <p>① Przycisk ustawiania zegara ② Włącznik światła/ zmiana kolorów zegara</p>	<ol style="list-style-type: none"> Dotknij przycisku przełącznika, aby włączyć światło LED, dotknij ponownie, aby kolor światła LED zmienił się ze światła chłodne światło, bieli ciepłej, bieli naturalne aby odpowiednio wyłączyć. Długo naciśnij przycisk przełącznika, aby wyregulować jasność. Ustawienie zegara: <ol style="list-style-type: none"> Naciśnij i przytrzymaj przycisk ustawiania zegara przez 3 sekundy, aż numer godziny zacznie migać, dotknij przycisku ustawiania zegara, aby zwiększyć liczbę do prawidłowej wyświetlanej godziny (zegar 24-godzinny). Ponownie naciśnij i przytrzymaj przycisk ustawiania zegara przez 3 sekundy, aby aktywować ustawienie minut. Gdy liczba minut zacznie migać, ponownie naciśnij przycisk ustawiania zegara, aby zwiększyć liczbę do prawidłowej wyświetlanej minuty. Ponownie naciśnij i przytrzymaj przycisk ustawiania zegara przez 3 sekundy lub nie dotykaj żadnego przycisku przez 5 sekund, aby liczba przestała migać, aby wyjść z modelu ustawiania zegara.
<p>Model 6</p>  <p>Włącznik światła&Przycisk ustawiania zegara</p>	<ol style="list-style-type: none"> Dotknij przycisku przełącznika, aby włączyć światło LED, dotknij ponownie, aby wyłączyć. Ustawienie zegara: <ol style="list-style-type: none"> Ponownie naciśnij i przytrzymaj przycisk ustawiania zegara przez 3 sekundy, aby aktywować ustawienie minut. Gdy liczba minut zacznie migać, ponownie naciśnij przycisk ustawiania zegara, aby zwiększyć liczbę do prawidłowej wyświetlanej minuty. Naciśnij i przytrzymaj przycisk ustawiania zegara przez 3 sekundy, aż numer godziny zacznie migać, dotknij przycisku ustawiania zegara, aby zwiększyć liczbę do prawidłowej wyświetlanej godziny (zegar 24-godzinny). Ponownie naciśnij i przytrzymaj przycisk ustawiania zegara przez 3 sekundy lub nie dotykaj żadnego przycisku przez 5 sekund, aby liczba przestała migać, aby wyjść z modelu ustawiania zegara.

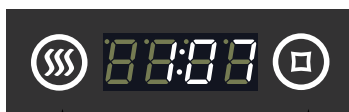
Model 7



- ① Włącznik światła/ zmiana kolorów ② Odmgławiacz/ Przycisk ustawiania zegara

- Dotknij przycisku przełącznika, aby włączyć światło LED, dotknij ponownie, aby kolor światła LED zmienił się ze światła chłodne światło, bieli ciepłej, bieli naturalne aby odpowiednio wyłączyć.
- Długo naciśnij przycisk przełącznika, aby wyregulować jasność;
- Dotknij przycisku Demister, aby włączyć/wyłączyć funkcję przeciwmgielną
 - Ponownie naciśnij i przytrzymaj przycisk ustawiania zegara przez 3 sekundy, aby aktywować ustawienie minut. Gdy liczba minut zacznie migać, ponownie naciśnij przycisk ustawiania zegara, aby zwiększyć liczbę do prawidłowej wyświetlanej minuty.
 - Naciśnij i przytrzymaj przycisk ustawiania zegara przez 3 sekundy, aż numer godziny zacznie migać, dotknij przycisku ustawiania zegara, aby zwiększyć liczbę do prawidłowej wyświetlanej godziny (zegar 24-godzinny).
 - Ponownie naciśnij i przytrzymaj przycisk ustawiania zegara przez 3 sekundy lub nie dotykaj żadnego przycisku przez 5 sekund, aby liczba przestała migać, aby wyjść z modelu ustawiania zegara.

Model 8



- ① Odmgławiacz ② Włącznik światła/ Przycisk ustawiania zegara

- Dotknij przycisku przełącznika, aby włączyć światło LED, dotknij ponownie, aby wyłączyć.
- Dotknij przycisku Demister, aby włączyć/wyłączyć funkcję przeciwmgielną
- Ustawienie zegara:
 - Ponownie naciśnij i przytrzymaj przycisk ustawiania zegara przez 3 sekundy, aby aktywować ustawienie minut. Gdy liczba minut zacznie migać, ponownie naciśnij przycisk ustawiania zegara, aby zwiększyć liczbę do prawidłowej wyświetlanej minuty.
 - Naciśnij i przytrzymaj przycisk ustawiania zegara przez 3 sekundy, aż numer godziny zacznie migać, dotknij przycisku ustawiania zegara, aby zwiększyć liczbę do prawidłowej wyświetlanej godziny (zegar 24-godzinny).
 - Ponownie naciśnij i przytrzymaj przycisk ustawiania zegara przez 3 sekundy lub nie dotykaj żadnego przycisku przez 5 sekund, aby liczba przestała migać, aby wyjść z modelu ustawiania zegara.

Model 9



- ① W dół ② W górę ③ Przycisk ustawień zegara/głośnik Payse i start ④ Bluetooth ⑤ Odmgławiacz ⑥ Włączanie/wyłączanie światła/kontrola jasności

A: Włącz/wyłącz

- Naciśnij przycisk ON/OFF ⑥, dioda LED zostanie włączona/wyłączona.
- Przytrzymaj długo przycisk ON/OFF ⑥, aby wyregulować jasność światła od 5% do 100%.

B: Przeciwmgielny

Dotknij przycisku Odmgławiacz ⑤, aby włączyć/wyłączyć funkcję przeciwmgielną. Ikona odmgławiacza zaświeci się na ekranie wyświetlacza, gdy jego funkcja jest włączona.

C: Głośnik Bluetooth

- Dotknij przycisku Bluetooth ④.
- Włącz funkcję Bluetooth w telefonie i wyszukaj CS-5012A, aby się połączyć.
- Gdy Bluetooth zostanie pomyślnie podłączony, lustro będzie działać jako głośnik.
- Dotknij przycisku ③, aby w razie potrzeby wstrzymać/zrestartować głośnik.
- Gdy głośnik jest włączony, dotknij przycisku ①, aby wybrać poprzednią muzykę i dotknij ②, aby przejść do następnej.
- Aby wyregulować głośność, przytrzymaj długo przycisk ① lub ②, aby zwiększyć lub zmniejszyć głośność od 0 do 30.

D: Zresetuj godzinę i datę

- Przytrzymaj przycisk ③ przez 3 sekundy, aż zacznie migać liczba minut. Dotknij przycisku ② lub ①, aby zwiększyć lub zmniejszyć liczbę do właściwej minuty.
- Dotknij przycisku ③, aby zresetować godzinę. Gdy numer godziny zacznie migać, dotknij przycisku ② lub ①, aby zwiększyć lub zmniejszyć liczbę do prawidłowej godziny.
- Powtórz krok 2, aby odpowiednio zresetować rok, miesiąc i dzień.
- Stuknij ponownie przycisk ③ lub nie wykonuj żadnych operacji przez 5 sekund, aż liczba przestanie migać, aby wyjść z modelu ustawiania zegara.

E: przyciski w górę i w dół

- Dotknij przycisku ①, aby wybrać poprzednią muzykę i dotknij przycisku ②, aby przejść do następnej muzyki.
- Długo przytrzymaj przycisk ① lub ②, aby zwiększyć lub zmniejszyć głośność od 0 do 30.

Model 10



- ① Bluetooth ② Odmgławiacz/Przycisk ustawiania zegara
- ③ Włącznik światła/ zmiana kolorów/kontrola jasności

A: włącznik światła/zmiana kolorów/ regulacja jasności

1. Naciśnij przycisk przełącznika ③ na lusterku, dioda LED zostanie włączona.
2. Zmień kolory światła: Dotknij przycisku przełącznika ③ (mniej niż 1 sekunda), kolor światła LED będzie się zmieniał kolejno od chłodne światło, bieli cieplej, bieli naturalne a następnie wyłącz światło.
3. W przypadku modelu z regulacją jasności: długo przytrzymaj przycisk przełącznika, aż światło zacznie zmieniać jasność. Jasność światła można regulować w zakresie od 5% do 100%. Zwolnij przycisk przełącznika, aby zapisać zmianę po zakończeniu.

B: Anti-fog/zresetuj godzinę i datę!

Przeciw mgielny:

Dotknij przełącznika odmgławiacza ②, aby włączyć/ wyłączyć funkcję Anti-fog. Gdy funkcja przeciwmgielna jest włączona, na ekranie wyświetla się znak odmgławiacza.

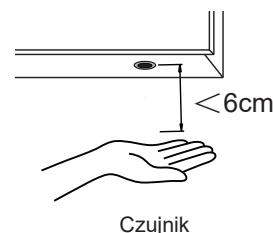
Zresetuj godzinę i datę:

1. Przytrzymaj przycisk ② przez 3 sekundy, aż zacznie migać numer roku. Dotknij przycisku ② lub ①, aby zwiększyć lub zmniejszyć liczbę do właściwego roku.
2. Naciśnij przycisk ②, aby zresetować miesiąc i dzień. Gdy numer miesiąca i dnia zaczną migać, dotknij przycisku ② lub przycisku ①, aby zwiększyć lub zmniejszyć liczbę do właściwego miesiąca i dnia.
3. Powtórz krok 2, aby odpowiednio zresetować minuty i godziny.
4. Naciśnij ponownie przycisk ② lub nie wykonuj żadnych operacji przez 5 sekund, aż liczba przestanie migać, aby wyjść z modelu ustawiania zegara.

C: Głośnik Bluetooth

1. Dotknij przycisku Bluetooth ①, aby włączyć funkcję głośnika Bluetooth.
2. Włącz funkcję Bluetooth w telefonie i wyszukaj CS-RY01A, aby się połączyć.
3. Gdy Bluetooth zostanie pomyślnie podłączony, Graj i zwiększaj/zmniejszaj głośność w telefonie.

Model 11



1. W zakresie prawidłowej odległości (w granicach 6 cm) światło LED można przełączyć; włączaj i wyłączaj, delikatnie machając ręką przez obszar pod czujnikami.
2. W przypadku lustra z funkcją odmgławiacza podkładka odmgławiacza włączy się automatycznie po włączeniu światła LED.

Uwaga: czujnik musi być umieszczony co najmniej 50 cm nad jakimkolwiek przedmiotem (takim jak kran, zlew i mydło) dozownika), aby uniknąć jakichkolwiek zakłóceń. Utrzymuj również obszar czujnika tak czysty, jak to tylko możliwe, ponieważ kładzenie, Obiektywy pod czujnikami mogą uniemożliwić prawidłowe działanie czujnika.

Model 12



- ① Przycisk przełączania
- ② Przycisk regulacji koloru światła i jasności

1. naciśnij przycisk przełącznika, aby włączyć i wyłączyć światło LED.
2. Kiedy światło LED jest włączone, dotknij przycisku M, aby przełączyć odpowiednio kolor światła z chłodne światło, bieli cieplej, bieli naturalne.
3. Gdy światło LED jest włączone, długo przytrzymaj przycisk M, aby dostosować jasność światła.
4. Oszczędność energii: lustro zostanie automatycznie wyłączone po 3 godzinach w trybie czuwania.

Model 13



- ① Funkcja przełącznika Demister i czujnika ruchu
- ② Ekran wyświetlacza czujnika
- ③ Przełącznik światła & regulacja jasności

1. Po podłączeniu zasilania, funkcja czujnika ruchu jest automatycznie włączana, a ekran wyświetlacza czujnika jest podświetlany. Podczas wchodzenia do strefy indukcyjnej (0,5~1,5m), dioda LED świeci się, podczas opuszczania strefy indukcyjnej (0,5~1,5m), wyświetlacz czujnika ruchu miga, a dioda LED automatycznie wyłącza się w ciągu 20 sekund.
2. Dotknij przełącznika światła, aby wejść w funkcję ręczną. Funkcja czujnika i display są wyłączone. A światło LED pozostanie włączone do momentu ponownego dotknięcia przełącznika światła, aby wyłączyć.
3. Gdy wyłącznik światła jest wyłączony, dotknij przycisku demister, aby wyłączyć demister, a następnie długo przytrzymaj przycisk demister ponownie, aby włączyć funkcję czujnika ruchu.

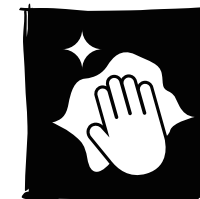
4. Gdy światło LED jest włączone, długo przytrzymaj przełącznik światła, aby dostosować jasność światła.
5. Dotknij przełącznika Demister, aby włączyć / wyłączyć funkcję anti-fog.
6. Energy Saving: Lustro będzie automatycznie zasilane po byciu na stand by przez 1 godzinę.
7. Pamięć Ostatnie ustawienie, gdy światło wyłączone.

Model 14



- ① Funkcja przełącznika Demister i czujnika ruchu
- ② Ekran wyświetlacza czujnika
- ③ Włącznik światła, regulacja jasności i przełącznik koloru światła

1. Po podłączeniu zasilania, funkcja czujnika ruchu jest automatycznie włączana, a ekran wyświetlacza czujnika jest podświetlany. Podczas wchodzenia do strefy indukcyjnej (0,5~1,5m), dioda LED świeci się, podczas opuszczania strefy indukcyjnej (0,5~1,5m), wyświetlacz czujnika ruchu miga, a dioda LED automatycznie wyłącza się w ciągu 20 sekund.
2. Dotknij przełącznika światła, aby wejść w funkcję ręczną. Funkcja czujnika i dysply są wyłączone. A światło LED pozostanie włączone do momentu ponownego dotknięcia przełącznika światła, aby wyłączyć.
3. Kiedy światło LED jest włączone, dotknij przełącznika światła ponownie, aby przełączyć kolor światła z chłodnego światła, Natural White i Warm White odpowiednio. Dotknij przełącznika ponownie po 5s, aby wyłączyć światło LED.
4. Gdy wyłącznik światła jest wyłączony, dotknij przycisku demister, aby wyłączyć demister, a następnie długo przytrzymaj przycisk demister ponownie, aby włączyć funkcję czujnika ruchu.
5. Gdy światło LED jest włączone, długo przytrzymaj przełącznik światła, aby dostosować jasność światła.
6. Dotknij przełącznika Demister, aby włączyć / wyłączyć funkcję anti-fog.
7. Energy Saving: Lustro będzie automatycznie zasilane po byciu na stand by przez 1 godzinę.
8. Pamięć Ostatnie ustawienie, gdy światło wyłączone.



Pielęgnacja i konserwacja

UWAGA: Do czyszczenia lustra używaj ciepłej wody z mydłem i miękkiej, wilgotnej, niestrzępiącej się szmatki. Wytrzyj do sucha za pomocą kolejna czysta szmatka. Środek do czyszczenia szkła można w razie potrzeby zastosować na powierzchni lustra. Unikaj druciaków, środków ściernych i chemicznych środków czyszczących, ponieważ mogą one uszkodzić szkło i ramę. W obszarach z twardą wodą na szkło może osadzać się kamień. Regularne czyszczenie zminimalizuje ten problem.

Jeśli to nagromadzenie staje się coraz trudniejsze do usunięcia, nałóż niewielką ilość białego octu na obszar.

- Nie próbuj ciąć szkła.
- Nie uderzaj w szkło twardymi lub ostrymi obiektami.
- Aby zmniejszyć ryzyko uduszenia, elastyczne przewody podłączone do tej oprawy powinny być skutecznie przymocowane do ściany, jeżeli przewody znajdują się w zasięgu ręki.

Wymiana światła LED:

źródło światła zawarte w tym produkcie może być wymieniane wyłącznie przez producenta lub wykwalifikowanego elektryka.

Maksymalny prąd gniazdka gólaraki: 0.5A

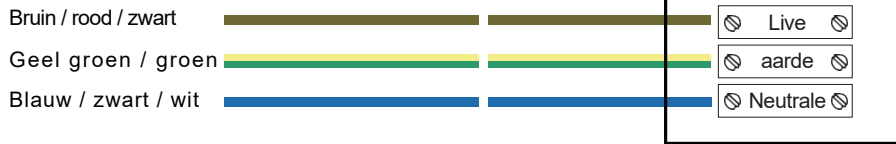
Pasma częstotliwości pracy: 2402-2480 MHz

Maksymalna transmitowana moc częstotliwości radiowej: -2.76 dBm

Opmerkingen: om het product veilig en correct te gebruiken, moet de spiegel worden aangesloten op de draden en de voeding die voldoet aan de IEE-bedradingsvoorschriften. Zorg ervoor dat alle elektrische stroom volledig is uitgeschakeld. Gebruik een aansluitdoos of andere geschikte draadconnectoren om de draden op de hoofdvoeding aan te sluiten; De installatie moet worden uitgevoerd door een professionele elektricien. Een verkeerde installatie kan leiden tot productschade en/of persoonlijk letsel.

* Dit product is alleen geschikt voor gebruik binnenshuis.

Bedradingschema voor ingangsklem



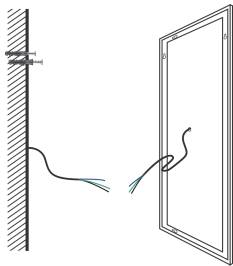
STROOMVOORZIENING

Waarschuwing: Het aardingsstelsel is ontworpen in deze spiegel en de aarddraad moet worden aangesloten om u te beschermen tegen een elektrische schok.

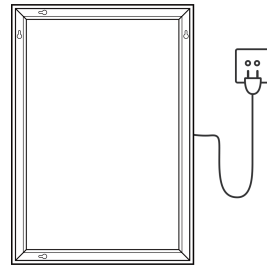
Jos tämän valaisimen ulkoinen taipuisa kaapeli tai johto on vaurioitunut, valmistaja tai tämän huoltoedustaja tai vastaava pätevä henkilö vaihtaa sen yksinomaan vaaran välttämiseksi.

ARMATUREN

Verbindingsmethode

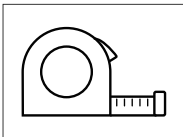


Type muur begraven door draad

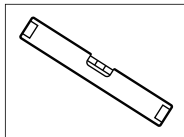


Uitgang

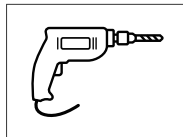
Installatiehulpmiddelen (zoals hieronder weergegeven)



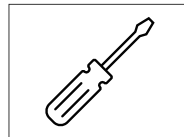
Rolmaat



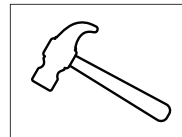
Waterpas



Elektrische boor

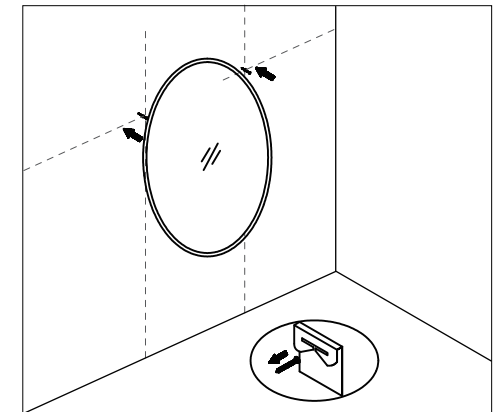
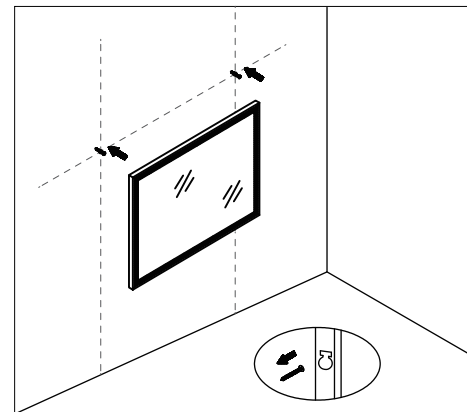
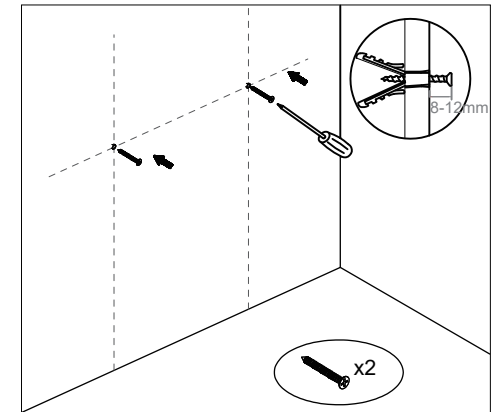
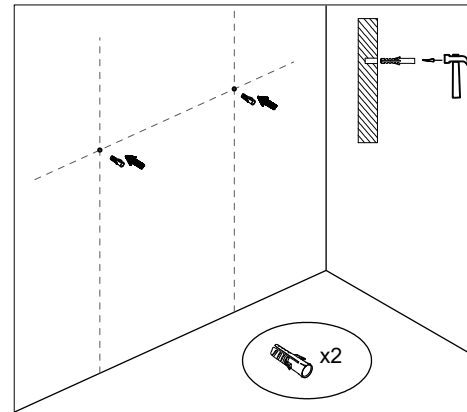
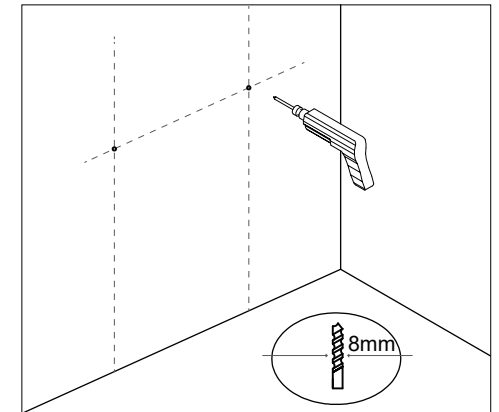
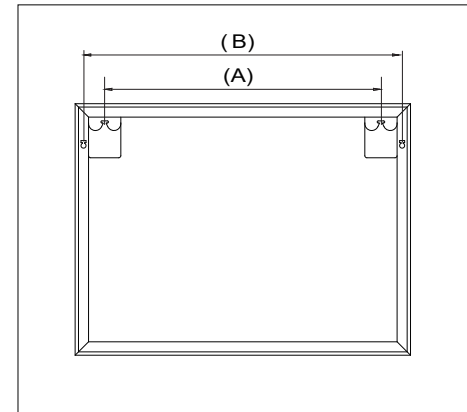


Schroevendraaier

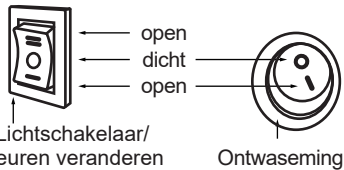





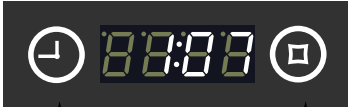
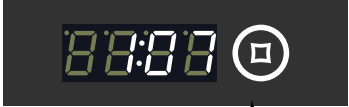
Hamer

Installatiestappen



De lichtkleur op de schakelknop is blauw als de spiegel uit staat en wit als de spiegel aan staat

<p>Model 1</p>  <p>Lichtschakelaar/ kleuren veranderen</p> <p>Ontwaseming</p>	<ol style="list-style-type: none"> 1. Druk de knop omhoog om het warme LED-licht in te schakelen en druk naar beneden om het koude LED-licht in te schakelen. Druk op de knop in het midden om de LED-verlichting uit te schakelen. 2. Druk op de demister-knop om de demister-functie in/uit te schakelen.
<p>Model 2</p>  <p>Schakelknop (Ontwaseming of helderheidsaanpassing)</p>	<ol style="list-style-type: none"> 1. Raak de schakelknop aan om het LED-licht in te schakelen, raak nogmaals aan om uit te schakelen. 2. Voor de spiegel met demister-functie wordt het demisterpad automatisch ingeschakeld wanneer het LED-lampje brandt. 3. Voor de spiegel met dimmer-lichtfunctie, druk lang op de schakelknop om de helderheid van het licht aan te passen.
<p>Model 3</p>  <p>Schakelknop/kleuren veranderen/ helderheidsregeling (of Ontwaseming)</p>	<ol style="list-style-type: none"> 1. Raak de schakelknop aan om het LED-licht in te schakelen, raak nogmaals aan. De kleur van het LED-licht verandert van koel licht, Warm Wit, Natuurlijk wit om dienovereenkomstig uit te schakelen. 2. Druk lang op de schakelknop om de helderheid aan te passen 3. Voor de spiegel met demister-functie wordt het demisterpad automatisch ingeschakeld wanneer het LED-lampje brandt.
<p>Model 4</p>  <p>① Bluetooth-knop ② Lichtschakelaar knop</p>	<ol style="list-style-type: none"> 1. Raak de schakelknop aan om het LED-licht in te schakelen, raak nogmaals aan om uit te schakelen. 2. Het demisterpad wordt automatisch ingeschakeld wanneer het LED-lampje brandt. 3. Raak de Bluetooth-knop aan om de Bluetooth-functie in en uit te schakelen. Zoek naar CS-RY01A op uw apparaat om te koppelen.

<p>Model 5</p>  <p>① Knop voor klokinstelling ② Lichtschakelaar/ kleuren veranderen</p>	<ol style="list-style-type: none"> 1. Raak de schakelknop aan om het LED-licht in te schakelen, raak nogmaals aan. De kleur van het LED-licht verandert van koel licht, Warm Wit, Natuurlijk wit om dienovereenkomstig uit te schakelen. 2. Druk lang op de schakelknop om de helderheid aan te passen. 3. Klokinstelling: <ol style="list-style-type: none"> a) Houd de knop voor het instellen van de klok 3 seconden ingedrukt totdat het uurnummer begint te knipperen, tik op de knop voor het instellen van de klok om het nummer te verhogen tot het juiste weergegeven uur (24-uurs klok). b) Houd de klokinstelknop nogmaals 3 seconden ingedrukt om de minuteninstelling te activeren. Wanneer het minuutnummer begint te knipperen, tikt u nogmaals op de knop voor het instellen van de klok om het nummer te verhogen tot de juiste weergegeven minuut. c) Houd de klokinstellingsknop opnieuw 3 seconden ingedrukt of raak gedurende 5 seconden geen enkele knop aan om het nummer te laten stoppen met knipperen om het klokinstellingsmodel te verlaten.
<p>Model 6</p>  <p>Lichtschakelaar & Knop voor klokinstelling</p>	<ol style="list-style-type: none"> 1. Raak de schakelknop aan om het LED-licht in te schakelen, raak nogmaals aan. De kleur van het LED-licht verandert van Daglicht, Warm Wit naar Natuurlijk Wit om dienovereenkomstig uit te schakelen. 2. Druk lang op de schakelknop om de helderheid aan te passen 3. Raak de knop Demister aan om de anticondensfunctie in of uit te schakelen. <ol style="list-style-type: none"> a) Houd de klokinstelknop nogmaals 3 seconden ingedrukt om de minuteninstelling te activeren. Wanneer het minuutnummer begint te knipperen, tikt u nogmaals op de knop voor het instellen van de klok om het nummer te verhogen tot de juiste weergegeven minuut. b) Houd de klokinstelknop 3 seconden ingedrukt totdat het uurnummer begint te knipperen, tik op de klokinstelknop om het nummer te verhogen tot het juiste weergegeven uur (24-uurs klok). c) Houd de klokinstellingsknop opnieuw 3 seconden ingedrukt of raak gedurende 5 seconden geen enkele knop aan om het nummer te laten stoppen met knipperen om het klokinstellingsmodel te verlaten.

Model 7



- ① Lichtschakelaar/ kleuren veranderen
- ② Ontwaseming/ Knop voor klokinstelling

1. Raak de schakelknop aan om het LED-licht in te schakelen, raak nogmaals aan. De kleur van het LED-licht verandert van koel licht, Warm Wit, Natuurlijk wit om dienovereenkomstig uit te schakelen.
2. Druk lang op de schakelknop om de helderheid aan te passen.
3. Raak de knop Demister aan om de anticondensfunctie in of uit te schakelen.
 - a) Houd de klokinstelknop nogmaals 3 seconden ingedrukt om de minuteninstelling te activeren. Wanneer het minuutnummer begint te knippen, tikt u nogmaals op de knop voor het instellen van de klok om het nummer te verhogen tot de juiste weergegeven minuut.
 - b) Houd de klokinstelknop 3 seconden ingedrukt totdat het uurnummer begint te knippen, tik op de klokinstelknop om het nummer te verhogen tot het juiste weergegeven uur (24-uurs klok).
 - c) Houd de klokinstellingsknop opnieuw 3 seconden ingedrukt of raak gedurende 5 seconden geen enkele knop aan om het nummer te laten stoppen met knippen om het klokinstellingsmodel te verlaten.

Model 8



- ① Ontwaseming
- ② Lichtschakelaar/ Knop voor klokinstelling

1. Raak de schakelknop aan om het LED-licht in te schakelen, raak nogmaals aan om uit te schakelen.
2. Raak de knop Demister aan om de anticondensfunctie in of uit te schakelen
3. Klokinstelling:
 - a) Houd de klokinstelknop nogmaals 3 seconden ingedrukt om de minuteninstelling te activeren. Wanneer het minuutnummer begint te knippen, tikt u nogmaals op de knop voor het instellen van de klok om het nummer te verhogen tot de juiste weergegeven minuut.
 - b) Houd de klokinstelknop 3 seconden ingedrukt totdat het uurnummer begint te knippen, tik op de klokinstelknop om het nummer te verhogen tot het juiste weergegeven uur (24-uurs klok).
 - c) Houd de klokinstellingsknop opnieuw 3 seconden ingedrukt of raak gedurende 5 seconden geen enkele knop aan om het nummer te laten stoppen met knippen om het klokinstellingsmodel te verlaten.

Model 9



- ① Omlaag
- ② Omhoog
- ③ Knop voor klokinstelling / luidspreker Payse & Start
- ④ Bluetooth
- ⑤ Ontwaseming
- ⑥ Licht aan/uit/helderheidsregeling

A: In-/uitschakelen

1. Tik op de AAN/UIT-knop ⑥, het LED-lampje wordt in-/uitgeschakeld.
2. Houd de AAN/UIT-knop ⑥ lang ingedrukt om de helderheid van het licht aan te passen van 5% tot 100%.

B: Anti-condens

Tik op de knop Ontwasemen ⑤ om de anticondensfunctie in/uit te schakelen. Het ontwasemingspictogram licht op het scherm op wanneer de functie is ingeschakeld.

C: Bluetooth-luidspreker

1. Tik op de Bluetooth-knop ④.
2. Schakel de Bluetooth-functie op uw telefoon in en zoek naar CS-5012A om verbinding te maken.
3. Wanneer de Bluetooth met succes is verbonden, werkt de spiegel als luidspreker.
4. Tik op de knop ③ om de luidspreker te pauzeren/herstarten indien nodig.
5. Terwijl de luidspreker aan staat, tikt u op de knop ① om de vorige muziek te kiezen en tikt u op ② om naar de volgende te gaan.
6. Om het volume aan te passen, houdt u de knop ① of ② lang ingedrukt om het volume te verhogen of te verlagen van 0 tot 30.

D: Reset de tijd en datum

1. Houd de knop ③ 3 seconden ingedrukt totdat het minuutnummer begint te knippen. Tik op de knop ② of ① om het getal te verhogen of te verlagen tot de juiste minuut.
2. Tik op de knop ③ om het uur opnieuw in te stellen. Wanneer het uurnummer begint te knippen, tikt u op de knop ② of ① om het nummer te verhogen of te verlagen tot het juiste uur.
3. Herhaal stap 2 om het jaar, de maand en de dag dienovereenkomstig opnieuw in te stellen.
4. Tik nogmaals op de knop ③ of voer gedurende 5 seconden geen bewerkingen uit totdat het nummer stopt met knippen om het klokinstellingsmodel te verlaten.

E: Knoppen Omhoog & Omlaag

1. Tik op knop ① om de vorige muziek op te halen en tik op knop ② om naar de volgende muziek te gaan.
2. Houd de knop ① of ② lang ingedrukt om het volume te verhogen of te verlagen van 0 tot 30.

Model 10



① Bluetooth ② Ontwaseming/Knop voor klokinstelling

③ Lichtschakelaar/kleuren veranderen/helderheidsregeling

⚡ A: Lichtschakelaar/Kleuren Veranderen/Helderheid Aanpassing

1. Tik op de schakelknop ③ op de spiegel, het LED-licht is ingeschakeld.
2. Lichtkleuren wijzigen: Tik op de schakelknop ③ (minder dan 1 seconde), de kleur van het LED-licht wordt achtereenvolgens gewijzigd van koel licht, Warm Wit, Natuurlijk wit en schakel vervolgens het licht uit.
3. Voor in helderheid verstelbaar model: houd de schakelaar lang ingedrukt totdat het licht de helderheid begint te veranderen. De helderheid van het licht kan worden aangepast van 5% tot 100%. Laat de schakelknop los om de wijziging op te slaan nadat u klaar bent.

🕒 B: Anti-condens / Reset de tijd en datum

Anti mist:

Tik op de demisterschakelaar ② om de anticondensfunctie in of uit te schakelen. Als de anticondensfunctie is ingeschakeld, licht er een ontwasemingsymbool op het scherm op.

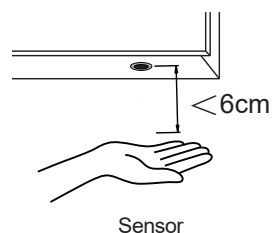
Stel de tijd en datum opnieuw in:

1. Houd de knop ② 3 seconden ingedrukt totdat het jaartal begint te knipperen. Tik op de knop ② of ① om het getal te verhogen of te verlagen tot het juiste jaar.
2. Druk op de knop ② om de maand en dag opnieuw in te stellen. Wanneer het maand- en dagnummer beginnen te knipperen, tikt u op knop ② of knop ① om het nummer te verhogen of te verlagen tot de juiste maand en dag.
3. Herhaal stap 2 om de minuten en het uur dienovereenkomstig opnieuw in te stellen.
4. Druk nogmaals op de knop ② of voer gedurende 5 seconden geen handelingen uit totdat het nummer stopt met knipperen om het klokinstellingsmodel te verlaten.

📶 C: Bluetooth-luidspreker

1. Tik op de Bluetooth-knop ① om de Bluetooth-luidsprekerfunctie in te schakelen.
2. Schakel de Bluetooth-functie op uw telefoon in en zoek naar CS-RY01A om verbinding te maken.
3. Wanneer de Bluetooth met succes is verbonden, Afspelen en het volume op uw telefoon hoger/lager zetten.

Model 11



1. Binnen het bereik van een geldige afstand (binnen 6 cm), kan het LED-licht worden geschakeld. in- en uitschakelen door zachtjes met de hand over het gebied onder de sensor te gaan.
2. Voor de spiegel met demister-functie wordt het demister-pad automatisch ingeschakeld wanneer het LED-lampje brandt.

Let op :

De sensor moet minimaal 50 cm boven elk object (zoals kraan, gootsteen en zeepdispenser) worden geplaatst om interferentie te voorkomen. Houd het sensorgebied ook zo vrij mogelijk, want objectieven onder de sensor kunnen ervoor zorgen dat de sensor niet goed werkt.

Model 12



① Schakelknop ② Aanpassingsknop voor lichtkleur en helderheid

1. Druk op de schakelknop om het LED-licht in en uit te schakelen.
2. Wanneer het LED-licht aan is, raakt u de M-knop aan om de lichtkleur om te schakelen van koel licht, warm wit, natuurlijk wit.
3. Quando la luce LED è accesa, tenere premuto a lungo il pulsante M per regolare la luminosità della luce.
4. Energiebesparing: De spiegel wordt automatisch uitgeschakeld na 3 uur stand-by te hebben gestaan.

Model 13



① Demister schakelaar & Bewegingssensor functie
② Sensordisplay scherm
③ Lichtschakelaar & helderheidsaanpassing

1. Wanneer de stroom wordt toegepast, wordt de bewegingssensorfunctie automatisch ingeschakeld en licht het sensordisplayscherm op. Bij het betreden van de inductieve zone (0,5~1,5m) is het LED-lampje aan, bij het verlaten van de inductieve zone (0,5~1,5m) knippert het display van de bewegingssensor en gaat het LED-lampje automatisch uit binnen 20 seconden.
2. Raak de lichtschakelaar aan om de handmatige functie te activeren. De sensorfunctie en het display worden uitgeschakeld. En het LED-lampje blijft branden totdat u de lichtschakelaar opnieuw aanraakt om uit te schakelen.
3. Wanneer de lichtschakelaar is uitgeschakeld, raakt u de ontwasemingsknop aan om de ontwaseming uit te schakelen en houdt u de ontwasemingsknop weer lang ingedrukt om de bewegingssensor in te schakelen.

4. Wanneer het LED-licht aan is, houdt u de lichtschakelaar lang ingedrukt om de helderheid van het licht aan te passen.
5. Touch de Demister schakelaar om de anti-fog functie aan/uit te zetten.
6. Energy besparing: De spiegel wordt automatisch uitgeschakeld nadat hij 1 uur op stand-by heeft gestaan.
7. Geheugen laatste instelling bij licht uit.

Model 14

- ① Demister schakelaar & Bewegingssensor functie
- ② Sensordisplayscherm
- ③ Lichtschakelaar, helderheidsaanpassing & lichtkleurschakelaar

1. Wanneer de stroom wordt toegepast, wordt de bewegingssensorfunctie automatisch ingeschakeld en licht het sensordisplayscherm op. Bij het betreden van de inductieve zone (0,5~1,5m) is het LED-lampje aan, bij het verlaten van de inductieve zone (0,5~1,5m) knippert het display van de bewegingssensor en gaat het LED-lampje automatisch uit binnen 20 seconden.
2. Raak de lichtschakelaar aan om de handmatige functie te activeren. De sensorfunctie en het display worden uitgeschakeld. En het LED-lampje blijft branden totdat u de lichtschakelaar opnieuw aanraakt om uit te schakelen.
3. Wanneer het LED-licht aan is, raakt u de lichtschakelaar opnieuw aan om de lichtkleur om te schakelen van koel licht, natuurlijk wit en warm wit. Raak de lichtschakelaar na 5 seconden opnieuw aan om het LED-licht uit te schakelen.
4. Wanneer de lichtschakelaar is uitgeschakeld, raakt u de ontwasemingsknop aan om de ontwaseming uit te schakelen en houdt u de ontwasemingsknop weer lang ingedrukt om de bewegingssensor in te schakelen.
5. Wanneer de LED-lamp aan is, houdt u de lichtschakelaar lang ingedrukt om de helderheid van het licht aan te passen.
6. Touch de Demister schakelaar om de anti-fog functie in of uit te schakelen.
7. Energy besparing: De spiegel wordt automatisch uitgeschakeld nadat hij 1 uur op stand-by heeft gestaan.
8. Geheugen laatste instelling bij licht uit.

**Verzorging & onderhoud**

OPMERKING: Gebruik warm zeepsop en een zachte, vochtige, pluivrije doek om de spiegel schoon te maken. Veeg het droog met nog een schone doek. Glasreiniger kan indien nodig op het spiegelloppervlak worden gebruikt. Vermijd schuursponsjes, schuurmiddelen en chemische reinigingsmiddelen omdat deze het glas en het frame kunnen beschadigen. In gebieden met hard water kan kalkaanslag op het glas afzetten. Door regelmatig schoon te maken, wordt dit probleem geminimaliseerd.

Als deze aanslag steeds moeilijker te verwijderen is, breng dan een kleine hoeveelheid witte azijn aan op het gebied.

- Probeer niet om het glas te snijden.
- Raak het glas niet met harde of scherpe objectieven.
- Om het risico van verwurging te beperken, moet de flexibele bedrading die met deze armatuur is verbonden, doeltreffend aan de muur worden bevestigd als de bedrading binnen handbereik is

Vervanging van led-verlichting:

de lichtbron in dit product mag alleen worden vervangen door de fabrikant of een gekwalificeerde elektricien.

Maximale stroomuitgang scheerapparaat: 0.5A

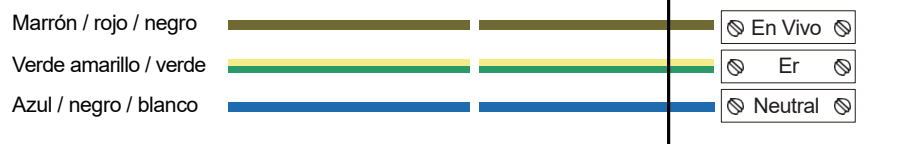
Frequentieband: 2402-2480 MHz

Maximaal uitgezonden radiofrequentievermogen: -2.76 dBm

Anmärkningar: För att kunna använda produkten säkert och korrekt måste spegeln vara ansluten till trådarna och strömförsörjningen som överensstämmer med IEE -föreskrifterna. Se till att all elektrisk ström har stängts av helt. Använd en kopplingsdosa eller andra riktiga kabelanslutningar för att ansluta ledningar i enlighet med huvudströmförsörjningen; Installationen måste utföras av en professionell elektriker. Fel installation kan leda till produktskada eller / och personskada.

* Denna produkt är endast lämplig för inomhusbruk.

Diagrama de conexión para terminal de entrada



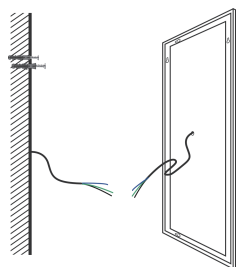
SUMINISTRO DE RED

LÁMPARA

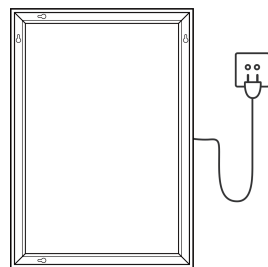
Varning: Jordningssystemet är utformat i denna spegel och jordkabeln måste anslutas för att skydda dig från en elektrisk stöt.

Om den externa flexibla kabeln eller sladden till denna armatur skadas ska den uteslutande bytas ut av tillverkaren, dennes serviceagent eller en liknande kvalificerad person för att undvika fara.

Anslutningsmetod

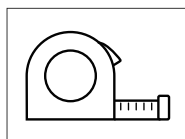


Infälld väggtyp

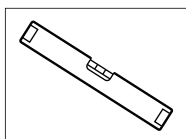


vägg plugg

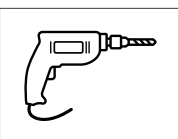
Installationsverktyg (enligt nedan)



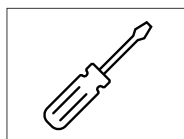
Måttband



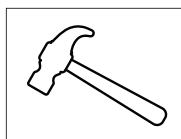
Andenivå



Elektrisk borr

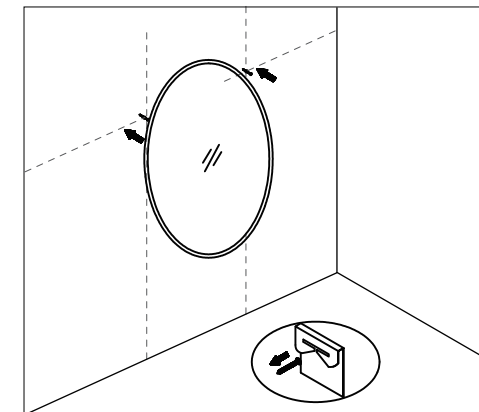
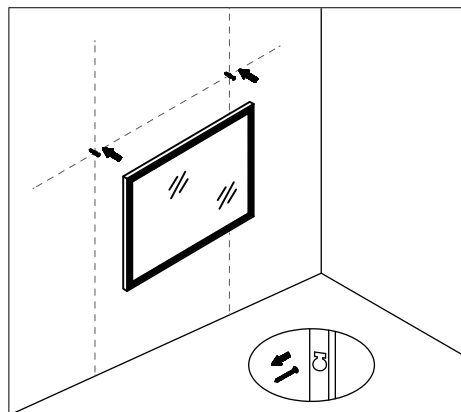
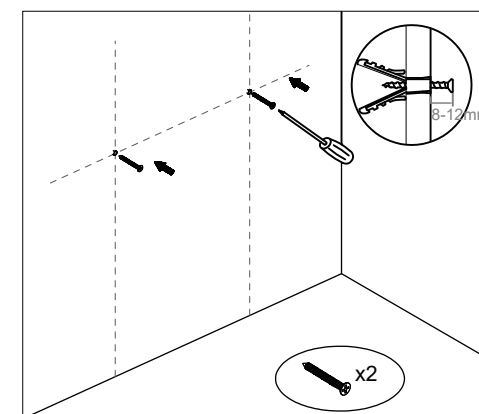
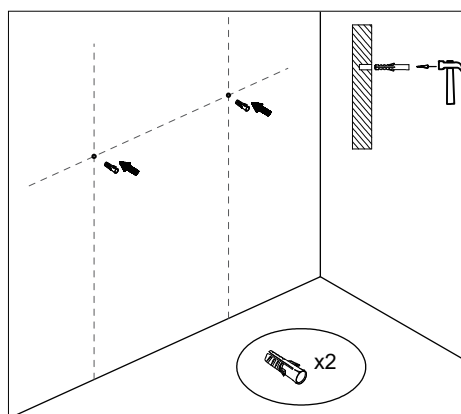
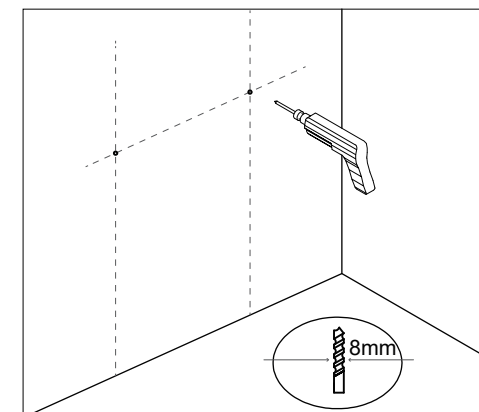
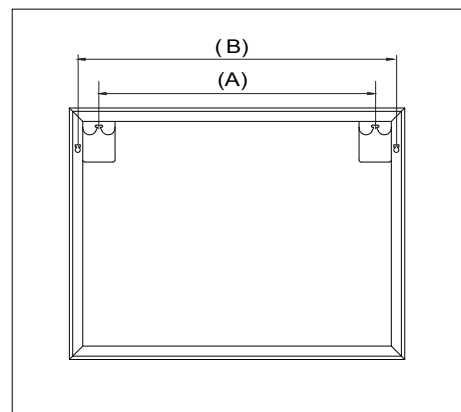


Skruvmejsel

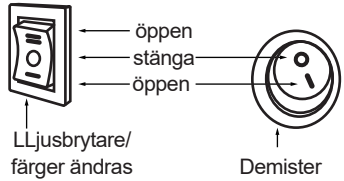

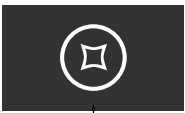



Hammare

Installationssteg

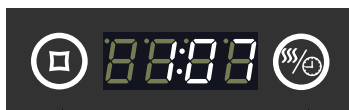


Ljutfärgen på omkopplarknappen är blå när spegeln är avstängd och vit när spegeln är påslagen

<p>Modell 1</p>  <p>öppen stänga öppen</p> <p>Lljusbrytare/ färger ändras</p> <p>Demister</p>	<ol style="list-style-type: none"> 1. Tryck knappen uppåt för att tända den varma LED-lampan och tryck ned för att tända den kalla LED-lampan. Tryck på knappen i mitten för att stänga av LED-lampan. 2. Tryck på Avfuktningknappen för att slå på/stänga av avfuktningfunktionen.
<p>Modell 2</p>  <p>Växla knapp(Avfuktare eller justering av ljusstyrka)</p>	<ol style="list-style-type: none"> 1. Tryck på strömbrytaren för att tända LED-lampan, tryck igen för att stänga av. 2. För spegeln med avfuktningfunktion kommer avfuktare att slås på automatiskt när LED-lampan lyser. 3. För spegeln med dimmerljusfunktion, tryck länge på omkopplarknappen för att justera ljusstyrkan.
<p>Modell 3</p>  <p>Växla knapp/färger ändras/ljusstyrka (eller Avfuktare)</p>	<ol style="list-style-type: none"> 1. Tryck på strömbrytarknappen för att slå på LED-ljuset, tryck igen LED-ljusets färg växlar från svart ljus, Varmvitt, Naturvitt för att släcka därefter. 2. Tryck länge på omkopplarknappen för att justera ljusstyrkan. 3. För spegeln med avfuktningfunktion kommer avfuktare att slås på automatiskt när LED-lampan lyser.
<p>Modell 4</p>  <p>① Bluetooth-knapp ② Ljusbrytare</p>	<ol style="list-style-type: none"> 1. Tryck på strömbrytaren för att tända LED-lampan, tryck igen för att stänga av. 2. Avfuktaren slås på automatiskt när LED-lampan lyser. 3. Tryck på Bluetooth-knappen för att slå på och av Bluetoothfunktionen. Sök efter CS-RY01A på din enhet för att para.

<p>Modell 5</p>  <p>① Klockinställningsknapp ② Ljusbrytare/färger ändras</p>	<ol style="list-style-type: none"> 1. Tryck på strömbrytarknappen för att slå på LED-ljuset, tryck igen LED-ljusets färg växlar från svart ljus, Varmvitt, Naturvitt för att släcka därefter. 2. Tryck länge på omkopplarknappen för att justera ljusstyrkan 3. Klockinställning: <ol style="list-style-type: none"> a) Tryck och håll in klockinställningsknappen i 3 sekunder tills timnumret börjar blinka, tryck på klockinställningsknappen för att öka siffran till rätt timme som visas (24-timmarsklocka). b) Tryck och håll in klockinställningsknappen igen i 3 sekunder för att aktivera minutinställningen. När minutnumret börjar blinka trycker du på klockinställningsknappen igen för att öka siffran till rätt minut som visas. c) Tryck och håll in klockinställningsknappen igen i 3 sekunder eller tryck inte på någon knapp i 5 sekunder för att låta siffran sluta blinka för att lämna klockinställningsmodellen.
<p>Modell 6</p>  <p>Ljusbrytare&.Klockinställningsknapp</p>	<ol style="list-style-type: none"> 1. Tryck på strömbrytaren för att tända LED-lampan, tryck igen för att stänga av. 2. Klockinställning: <ol style="list-style-type: none"> a) Tryck och håll in klockinställningsknappen igen i 3 sekunder för att aktivera minutinställningen. När minutnumret börjar blinka trycker du på klockinställningsknappen igen för att öka siffran till rätt minut som visas. b) Tryck och håll in klockinställningsknappen i 3 sekunder tills timnumret börjar blinka, tryck på klockinställningsknappen för att öka siffran till rätt timme som visas (24-timmars klocka). c) Tryck och håll in klockinställningsknappen igen i 3 sekunder eller tryck inte på någon knapp i 5 sekunder för att låta siffran sluta blinka för att lämna klockinställningsmodellen.

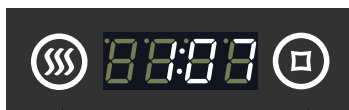
Modell 7



- ① Ljusbrytare/färger / ändras
② Avfuktare / Klockinställningsknapp

- Tryck på strömbrytarknappen för att slå på LED-ljuset, tryck igen LED-ljusets färg växlar från svalt ljus, Varmvitt, Naturvitt för att släcka därefter.
- Tryck länge på omkopplarknappen för att justera ljusstyrkan.
- Rör vid Avmisterningsknappen för att slå på/av anti-dimfunktionen.
 - Tryck och håll in klockinställningsknappen igen i 3 sekunder för att aktivera minutinställningen. När minutnumret börjar blinka trycker du på klockinställningsknappen igen för att öka siffran till rätt minut som visas.
 - Tryck och håll in klockinställningsknappen i 3 sekunder tills timnumret börjar blinka, tryck på klockinställningsknappen för att öka siffran till rätt timme som visas (24-timmars klocka).
 - Tryck och håll in klockinställningsknappen igen i 3 sekunder eller tryck inte på någon knapp i 5 sekunder för att låta siffran sluta blinka för att lämna klockinställningsmodellen.

Modell 8



- ① Avfuktare
② Ljusbrytare/ Klockinställningsknapp

- Tryck på strömbrytaren för att tända LED-lampan, tryck igen för att stänga av.
- Tryck på Avmisterningsknappen för att slå på/stänga av anti-dimfunktionen.
- Klockinställning:
 - Tryck och håll in klockinställningsknappen igen i 3 sekunder för att aktivera minutinställningen. När minutnumret börjar blinka trycker du på klockinställningsknappen igen för att öka siffran till rätt minut som visas.
 - Tryck och håll in klockinställningsknappen i 3 sekunder tills timnumret börjar blinka, tryck på klockinställningsknappen för att öka siffran till rätt timme som visas (24-timmars klocka).
 - Tryck och håll in klockinställningsknappen igen i 3 sekunder eller tryck inte på någon knapp i 5 sekunder för att låta siffran sluta blinka för att lämna klockinställningsmodellen.

Modell 9



- ① Ner
② Upp
③ Klockinställningsknapp/Speaker Payse&Start
④ Bluetooth
⑤ Demister
⑥ Ljus på/av/ljusstyrka

A: Slå på/av

- Tryck på ON/OFF-knappen ⑥, LED-lampan tänds/släcks.
- Håll PÅ/AV-knappen ⑥ intryckt länge för att justera ljusstyrkan från 5 % till 100 %.

B: Anti-dimma

Tryck på Avmistningsknappen ⑤ för att slå på/stänga av anti-dimfunktionen. Avfuktningssymbolen tänds på skärmen när dess funktion är på.

C: Bluetooth-högtalare

- Tryck på Bluetooth-knappen ④.
- Slå på Bluetooth-funktionen på din telefon och sök efter CS-5012A för att ansluta.
- När Bluetooth har anslutits, spegeln kommer att fungera som en högtalare.
- Tryck på knappen ③ för att pausa/starta om högtalaren om det behövs.
- Medan högtalaren är på, tryck på knappen ① för att välja föregående musik och tryck på ② för att byta till nästa.
- För att justera volymen, håll nere knappen ① eller ② länge för att öka eller minska volymen från 0 till 30.

D: Återställ tid och datum

- Håll ned knappen ③ i 3 sekunder tills minutnumret börjar blinka. Tryck på knapp ② eller ① för att öka eller minska antalet till rätt minut.
- Tryck på knappen ③ för att återställa timmen. När timnumret börjar blinka, tryck på knappen ② eller ① för att öka eller minska antalet till rätt timme.
- Upprepa steg 2 för att återställa år, månad och dag.
- Tryck på knappen ③ igen eller gör inga operationer på 5 sekunder tills siffran slutar blinka för att avsluta klockinställningsmodellen.

E: Upp & Ner-knappar

- Tryck på knappen ① för att ta upp föregående musik och tryck på knappen ② till nästa musik.
- Håll knappen ① eller ② intryckt länge för att öka eller minska volymen från 0 till 30.

Modell 10



- ① Blåtand
- ② Demister/Klockinställningsknapp
- ③ Ljusbrytare/färger ändras/ljusstyrka

A: Ljusomkopplare/ Färger ändras/ Ljusstyrkajustering

1. Tryck på omkopplarknappen ③ på spegeln, LED-lampan tänds.
2. Ändra ljusfärger: Tryck på knappen ③ (mindre än 1 sekund), LED-ljusfärgen kommer att ändras successivt från svalt ljus, Varmvitt, Naturvitt och släck sedan ljuset.
3. För modell med justerbar ljusstyrka: håll knappen intryckt länge tills ljuset börjar ändra ljusstyrka. Ljusstyrkan kan justeras från 5 % till 100 %. Släpp växlingsknappen för att spara ändringen när den är klar.

B: Anti-dimma/ Återställ tid och datum

Anti-dimma:

Peka på demister-omkopplaren ② för att slå på/av anti-dimfunktionen. En avfuktningsskylt tänds på displayen när anti-dimfunktionen är på.

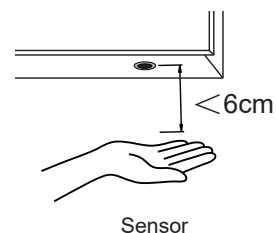
Återställ tid och datum:

1. Håll knappen ② intryckt i 3 sekunder tills årstalet börjar blinka. Tryck på knappen ② eller ① för att öka eller minska antalet till rätt år.
2. Tryck på knappen ② för att återställa månad och dag. När månads- och dagnumret börjar blinka, tryck på knappen ② eller knappen ① för att öka eller minska antalet till rätt månad och dag.
3. Upprepa steg 2 för att nollställa minut och timme.
4. Tryck på knappen ② igen eller gör inga operationer på 5 sekunder tills siffran slutar blinka för att avsluta klockinställningsmodellen.

C: Bluetooth-högtalare

1. Tryck på Bluetooth-knappen ① för att aktivera Bluetooth-högtalarfunktionen.
2. Slå på Bluetooth-funktionen på din telefon och sök efter CS-RY01A för att ansluta.
3. När Bluetooth har anslutits, Spela och höj/sänk volymen på din telefon.

Modell 11



1. Inom ramen för ett giltigt avstånd (inom 6 cm), kan LED-lampan växlas, slå på och av genom att försiktigt vifta med handen genom att korsas området under sensorn.
 2. För spegeln med avfuktningsskylt kommer avfuktare att slås på automatiskt när LED-lampan lyser.
- Observera: Sensorn måste placeras minst 50 cm ovanför alla föremål (som kran, handfat och tvålautomat) för att undvika störningar. Håll även sensorområdet så fritt som du kan eftersom du sätter, objektiv under sensorn kan stoppa sensorn att fungera korrekt.

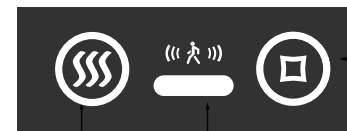
Modell 12



- ① Växlingsknapp
- ② Justeringsknapp för ljus färg och ljusstyrka

1. Tryck på strömbrytarknappen för att tända och släcka LED-lampan.
2. När LED-lampan är tänd, rör vid M-knappen för att byta ljusfärg från svalt ljus, Varmvitt, Naturvitt.
3. När LED-ljuset är på, håll in M-knappen länge för att justera ljusstyrkan.
4. Energibesparing: Spegeln stängs av automatiskt efter att ha varit i standby i 3 timmar.

Modell 13



- ① Funktion för avluftningsbrytare och rörelsesensor
- ② Sensor visningsskärm
- ③ Ljusbrytare och justering av ljusstyrka

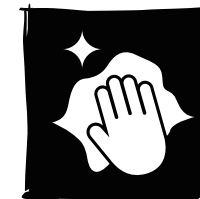
1. När strömmen sätts på slås rörelsesensorfunktionen automatiskt på och sensorskärmen lyser upp. När du går in i den induktiva zonen (0,5~1,5 m) tänds LED-lampan, när du lämnar den induktiva zonen (0,5~1,5 m) blinkar rörelsesensorskärmen och LED-lampan släcks automatiskt inom 20 sekunder.
2. Rör vid ljusbrytaren för att komma in i den manuella funktionen. Sensorfunktionen och display är avstängda. Och LED-ljuset kommer att vara på tills du rör vid ljusbrytaren igen för att stänga av.
3. När ljusbrytaren är släckt, rör vid demisterknappen för att stänga av demistern och håll sedan demisterknappen länge intryckt igen för att slå på rörelsesensorfunktionen.
4. När LED-ljuset är tänd håller du ljusbrytaren länge intryckt för att justera ljusstyrkan.

5. Rör vid demisterknappen för att slå på/av antibesvärningsfunktionen.
6. Energy Saving: Spegeln stängs automatiskt av efter att ha stått på stand by i 1 timme.
7. Minne: Sista inställningen när ljuset är släckt.

Modell 14

- ① Funktion för avluftningsbrytare och rörelsesensor
- ② Sensor visningsskärm
- ③ Ljusbrytare och justering av ljusstyrka

1. När strömmen sätts på slås rörelsesensorfunktionen automatiskt på och sensorskärmen lyser upp. När du går in i den induktiva zonen (0,5~1,5 m) tänds LED-lampan, när du lämnar den induktiva zonen (0,5~1,5 m) blinkar rörelsesensorskärmen och LED-lampan släcks automatiskt inom 20 sekunder.
2. Rör vid ljusbrytaren för att komma in i den manuella funktionen. Sensorfunktionen och display är avstängda. Och LED-ljuset kommer att vara på tills du rör vid ljusbrytaren igen för att stänga av.
3. När LED-lampan är tänd, rör ljusbrytaren igen för att byta ljusfärg från kallt ljus, naturvitt och varmvitt. Rör vid ljusbrytaren igen efter 5s för att stänga av LED-ljuset.
4. När ljusbrytaren är släckt, rör vid demisterknappen för att stänga av demistern och håll sedan demisterknappen länge intryckt igen för att slå på rörelsesensorfunktionen.
5. När LED-lampan är tänd håller du ljusbrytaren intryckt länge för att justera ljusstyrkan.
6. Rör vid demisterknappen för att slå på/av antibesvärningsfunktionen.
7. Energibesparing: Spegeln stängs automatiskt av efter att ha stått på stand by i 1 timme.
8. Minne: Sista inställningen när ljuset är släckt.

**Skötsel och underhåll**

OBS: Använd varmt tvålvatten och en mjuk, fuktig, luddfri trasa för att rengöra spegeln. Torka av det med ännu en ren trasa. Glasrengöringsmedel kan användas på spegelytan vid behov. Undvik skurkar, slipmedel och kemiska rengöringsmedel eftersom de kan skada glaset och ramen. I områden med hårt vatten kan kalk ansamlas på glaset. Regelbunden rengöring minimerar detta problem. Om denna ansamling blir allt svårare att ta bort, applicera en liten mängd vit vinäger på området.

- Försök inte att skära glaset.
- Slå inte mot glaset med hårda eller skarpa mål.
- För att minska risken för strypling ska den flexibla ledningen som är ansluten till denna armatur vara effektivt fastsatt i väggen om ledningen är inom räckhåll för en arm.

LED-ljusbyte:

Ljuskällan i denna produkt får endast bytas ut av tillverkaren eller en kvalificerad elektriker.

Rakapparatuttag maximal strömuttag: 0.5A

Operativt frekvensband: 2402-2480 MHz

Maximal överförd radiofrekvensseffekt: -2.76 dBm