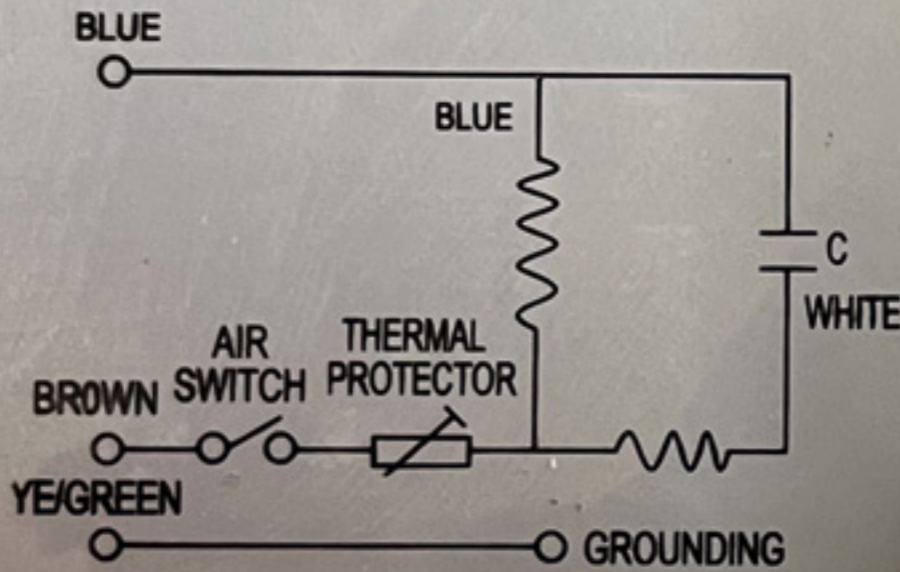


DXD MOTOR COMPANY

MODEL DXD-310 A SF 1.00 HP 1.0
 VOLTS 220-240 Hz 50 AMPS 2.0-3.0
 RPM 2850 AMB 40 °C PH 1 C 15μF
 DUTY CONT. CODE K INS CLASS B IP55



ACCEPTABLE USE COPPER
 FOR FIELD WIRING | CONDUCTORS ONLY



GROUND PROPERLY!
DO NOT START MOTOR WITHOUT WATER!

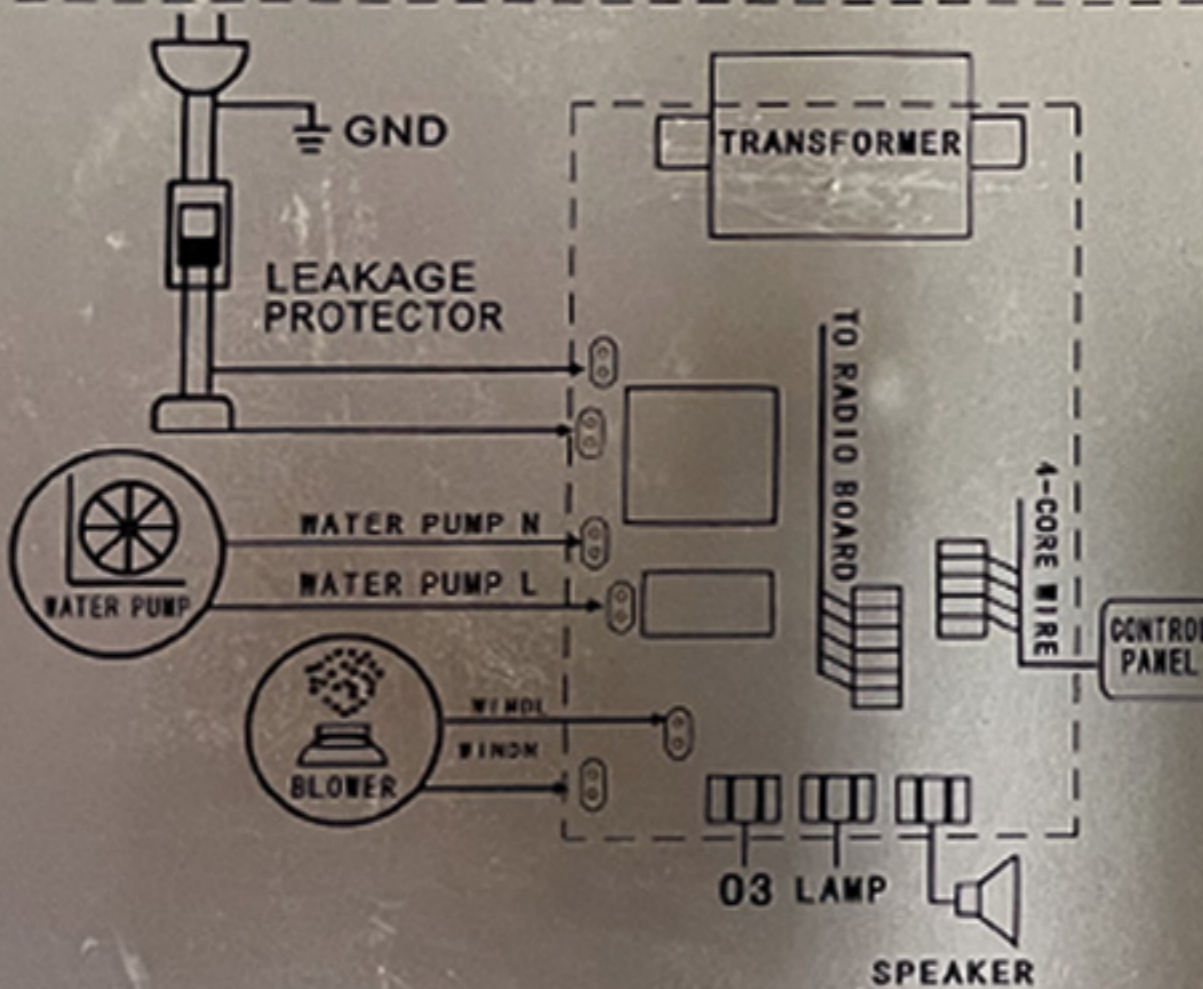
Connection Blueprint Of Massage Tub

MODEL : DXD-A003 DXD-A005 DXD-A006
 DXD-A007 DXD-A026 DXD-

POWER SUPPLY : AC220V / 50Hz AC110V / 60Hz

FUNCTION :

- LAMP (AC12V)
- WATER PUMP
- BLOWER
- OZONE GENERATOR
- FM RADIO
- AIR ADJUST
- BLOW OFF VALVE
- WATER SENSOR
- BLUE TOOTH
- _____
- _____



CE IPX5