

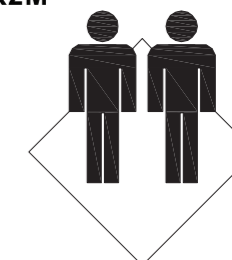
**USER'S MANUAL**  
**Lifting Coffee Table**  
**HW65716**

THIS INSTRUCTION BOOKLET CONTAINS **IMPORTANT** SAFETY INFORMATION. PLEASE READ AND KEEP FOR FUTURE REFERENCE.

**Please give us a chance to make it right and do better!**

Contact our friendly customer service department for help first.  
Replacements for missing or damaged parts will be shipped ASAP!

**FLOOR AREA**  
**2MX2M**



**ASSEMBLED BY 2 ADULTS**

**Follow Costway**  
Visit us: [www.costway.com](http://www.costway.com)



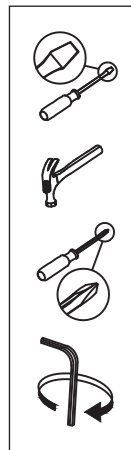
# Contact Us!

**Do NOT return this item.**

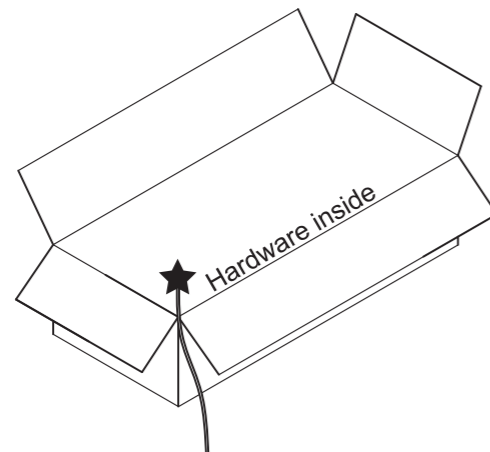
Contact our friendly customer service department for help first.



# Before You Start

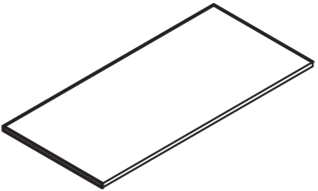
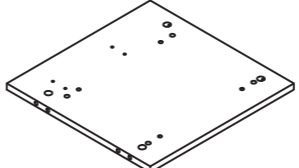
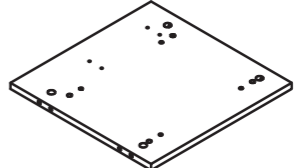
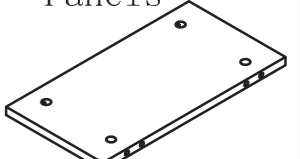
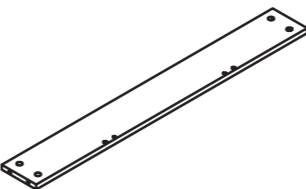
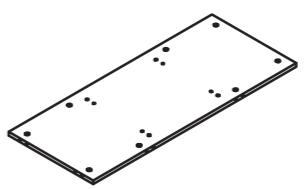
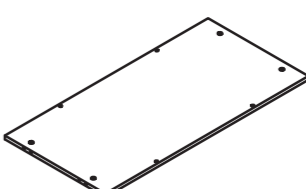
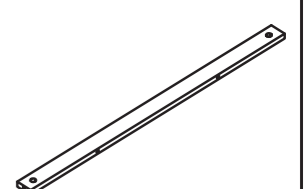
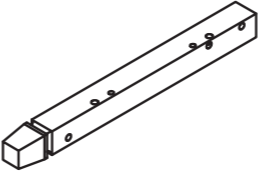
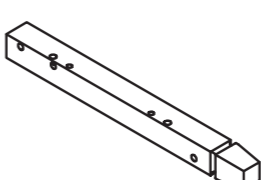
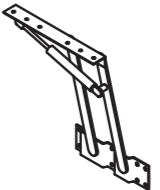
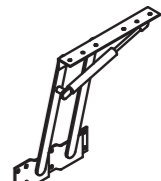
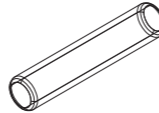
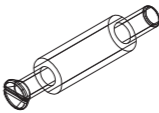
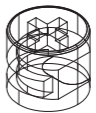

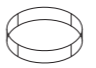

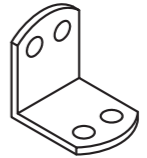


- Read each step carefully before starting. It is very important to ensure each step followed in correct order, otherwise assembly difficulties may occur.
- Most of board parts are labeled or stamped on the raw edges. Have a check to make sure all parts are included.
- Work in a spacious area, preferably on a carpet close to where the unit will be used.
- Keep the handtools close at hand. Do not use power tools to assemble your furniture. They may scratch or damage the parts.

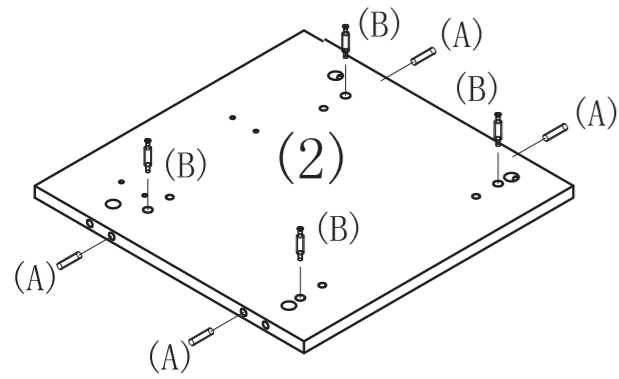


# Board Identification

Not actual size

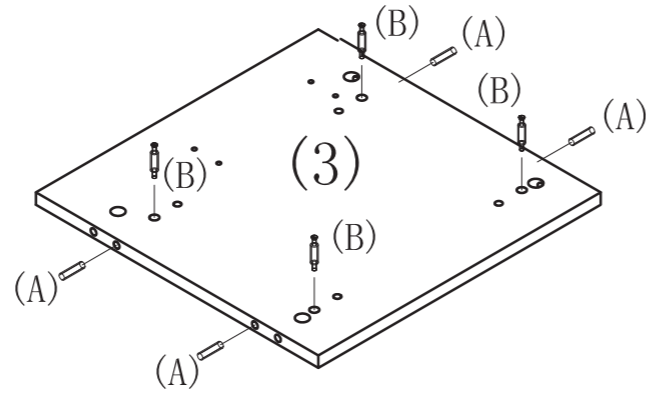
|  |   |   |  |
|--|---|---|--|
| (1) Top Panel<br><br>1044*492*18=1PC                                  | (2) End Panels<br><br>392*392*15=1PC                         | (3) End Panels<br><br>392*392*15=1PC                     | (4) Between Panels<br><br>207*415*15=2PCS                         |
| (5) Brace Panels<br><br>944*120*15=2PCS                               | (6) Solid Panel<br><br>944*417*15=1PC                        | (7) Solid Panel<br><br>944*466*15=1PC                    | (8) Solid Panels<br><br>944*50*18=2PCS                            |
| (9) Legs<br><br>460*40*40=2PCS                                      | (10) Legs<br><br>460*40*40=2PCS                            | (11) Levelers<br><br>1PC                               | (12) Levelers<br><br>1PC  |
| (A) Dowel<br><br>Dimension: $\phi 8*40$<br>32PCS                    | (B) Cam Pin<br><br>Dimension: $\phi 6.5*42$<br>40PCS       | (C) Cam Lock<br><br>Dimension: $\phi 15*12$<br>40PCS+1 | (P) Adhesive Cam Cover<br><br>Dimension: $\phi 21*0.5$<br>40PCS |
| (M1) Adhesive cushion for doors<br><br>Dimension: $\phi 10$<br>6PCS | (E4) Wood Screw<br><br>Dimension: $\phi 3.5*14$<br>44PCS+2 | (S1) Corner Bracket<br><br>Dimension: 25*25*20<br>4PCS |  |

### STEP 1



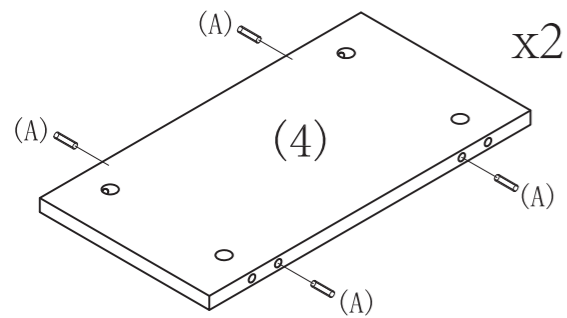
Install 4 pcs dowels (A) and 4 pcs cam pins (B) to End panel (2)  
Part A x 4      Part B x 4      Part 2 x 1

### STEP 2



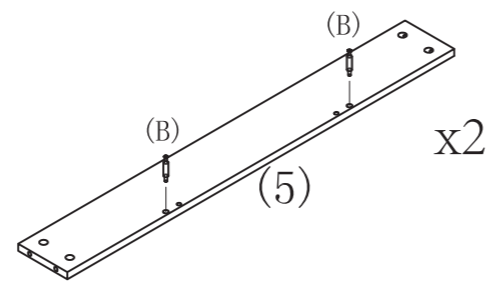
Install 4 pcs dowels (A) and 4 pcs cam pins (B) to End panel (3)  
Part A x 4      Part B x 4      Part 3 x 1

### STEP 3



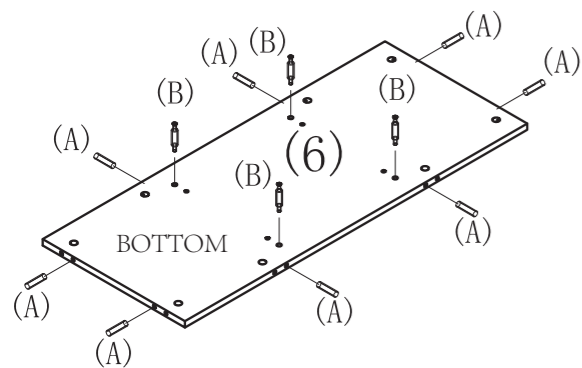
Install 8 pcs dowels (A) to Between panel (4)  
Part A x 8      Part 4 x 2

### STEP 4



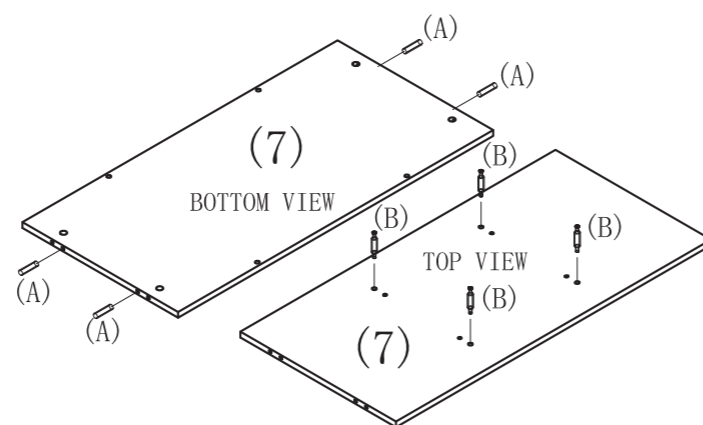
Install 4 pcs cam pins (B) to 2 Brace panels (5)  
Part B x 4      Part 5 x 2

### STEP 5



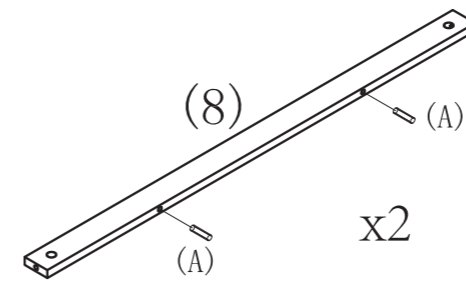
Install 8 pcs dowels (A) and 4 pcs cam pins (B) to Middle panel (6)  
Part A x 8      Part B x 4      Part 6 x 1

### STEP 6



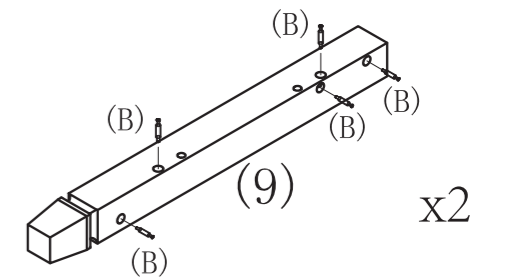
Install 4 pcs dowels (A) and 4 pcs cam pins (B) to Bottom panel (7)  
Part A x 4      Part B x 4      Part 7 x 1

### STEP 7



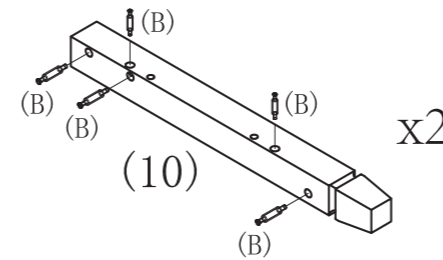
Install 4 pcs dowels (A) to 2 Solid Panels (8)  
Part A x 4      Part 8 x 2

### STEP 8



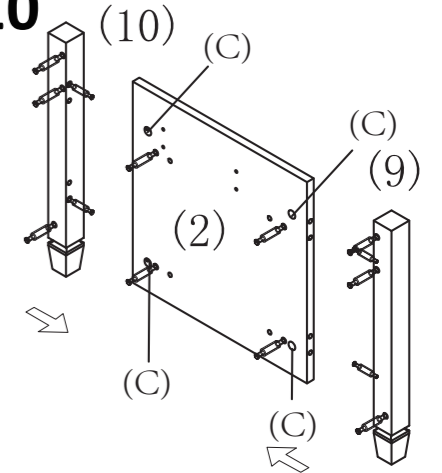
Install 10 pcs cam pins (B) to 2 Legs (9)  
Part B x 10      Part 9 x 2

### STEP 9



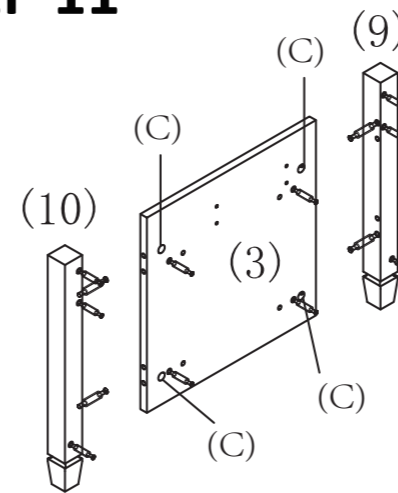
Install 8 pcs cam pins (B) to 2 Legs (10)  
Part B x 10      Part 10 x 2

### STEP 10



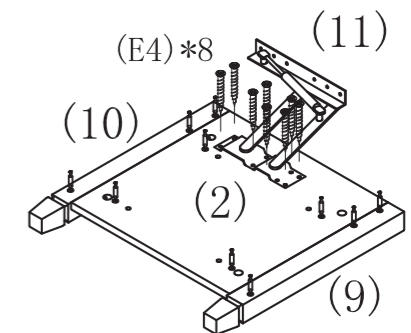
Install one Front Leg (9) and one Rear Leg (10) to End panel (2) and lock with 4 pcs Cam locks (C)  
Part C x 4

### STEP 11



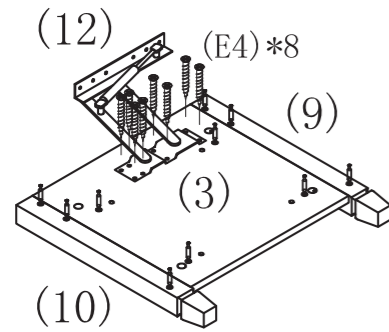
Install one Front Leg (9) and one Rear Leg (10) to End panel (3) and lock with 4 pcs Cam locks (C)  
Part C x 4

### STEP 12



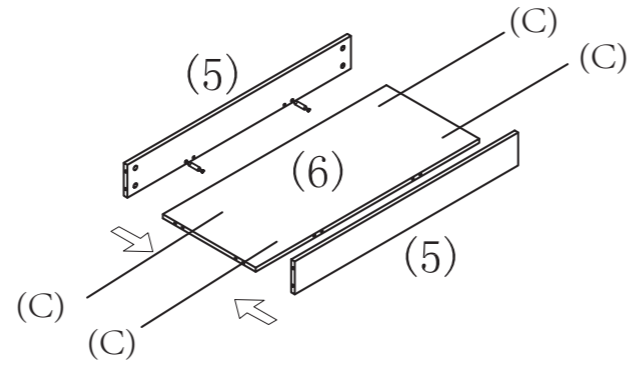
Install lever (11) to End panel (2) with 8 pcs Screws (E4)  
Part E4 x 8  
Part 11 x 1

### STEP 13



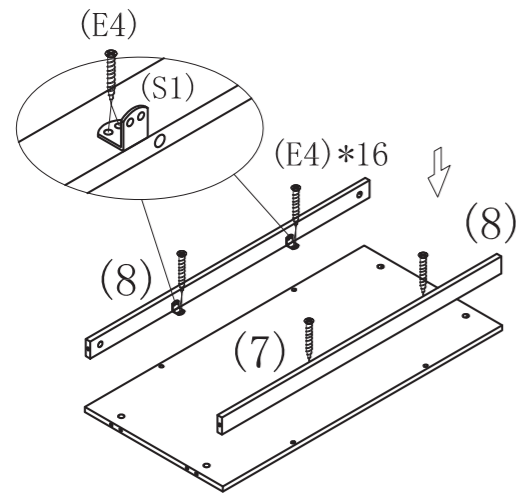
Install lever (12) to End panel (3) with 8 pcs Screws (E4)  
Part E4 x 8 Part 1 2 x 1

### STEP 14



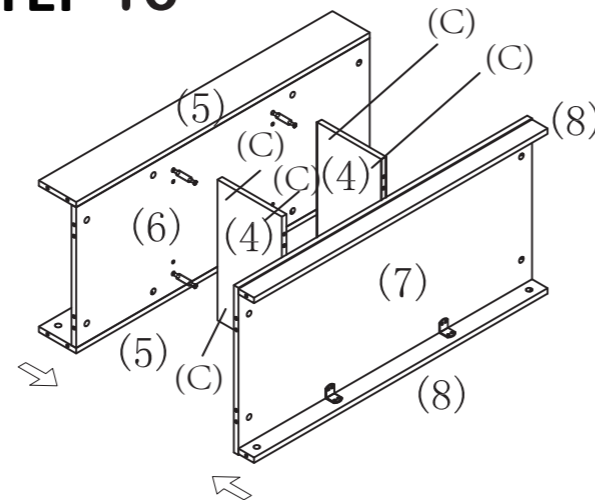
Attach 2 Brace panels (5) to Middle panel (6) and lock with  
4 pcs Cam locks (C)  
Part C x 4

### STEP 15



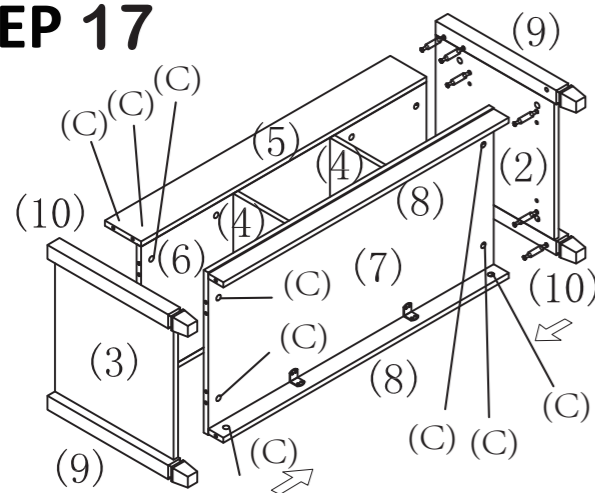
Install 2 Support panels (8) to Bottom panel (7) with 16 pcs Screws (E4)  
and reinforce with 4 sets of Corner brackets (S1) (S1 has equipped  
with self-tapping screws with no drilling holes)  
Part E4 x 16 Part S1 x 4

### STEP 16



Install 2 Between panels (4) to the middle of Solid panel (6)  
and Solid panel (7), then lock with 8 pcs Cam locks (C)  
Part C x 8

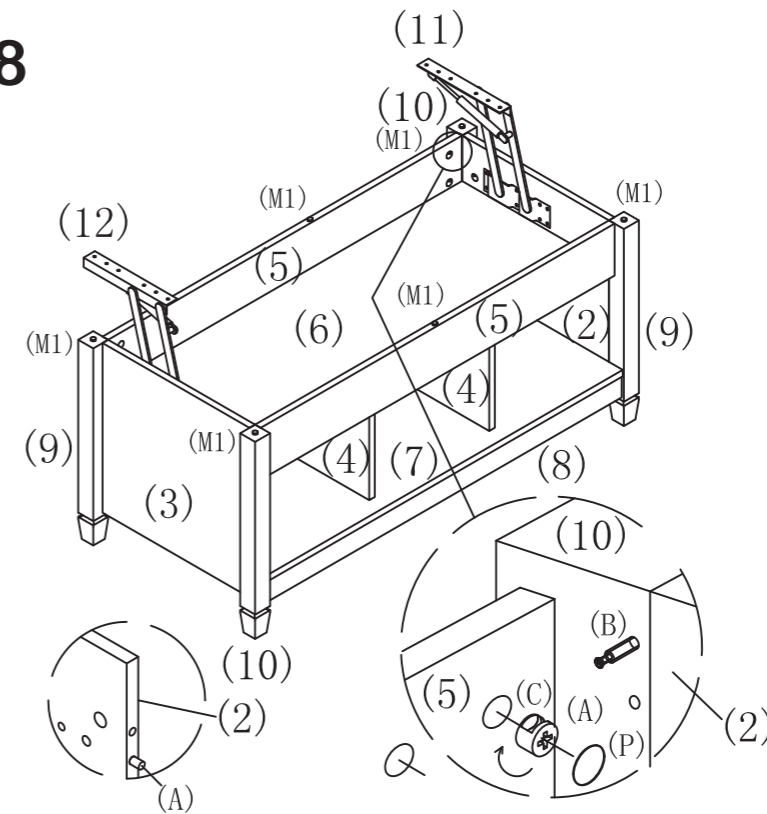
### STEP 17



Integrate End panel (2), (3) and the table legs with the main body,  
then secure with 20 pcs Cam locks (C)

Part C x 20

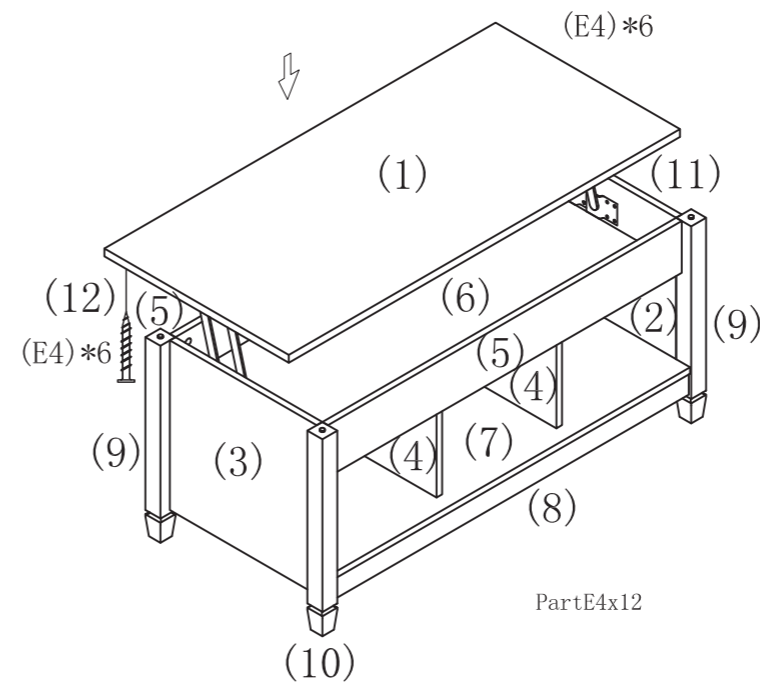
### STEP 18



Stick 40 pcs Cam covers (P) on  
Cam locks (C) and stick 6 pcs  
(M1) to the corresponding places  
shown in the figure.

Part M1 x 6  
Part P x 40

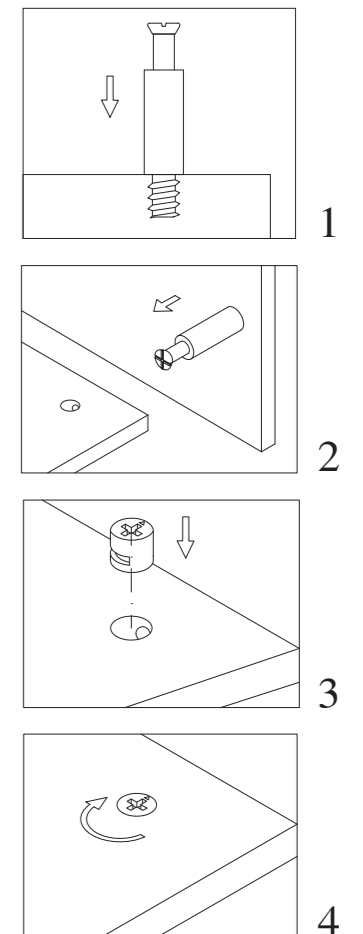
### STEP 19



Install the Top panel (1) to the lifters (11), (12) with 12 pcs  
Screws (E4)  
Part 1 x 1 Part E4 x 12

### TIPS

Installation of  
cam pin and  
cam lock



## Care and Maintenance

Use a soft, clean cloth that will not scratch the surface when dusting.

Use of furniture polish is not necessary.

Should you choose to use polish, test first in an inconspicuous area.

Using solvents of any kind on your furniture may damage the finish.

Never use water to clean your furniture as it may cause damage to the finish.

Liquid spills should be removed immediately. Using a soft clean cloth, blot the spill gently. Avoid rubbing.

Check bolts/screws periodically and tighten them if necessary.

## Further advice about wood furniture care

It is best to keep your furniture in a climate-controlled environment.

Extreme temperature and humidity changes can cause fading, warping, shrinking and splitting of wood.

It is advised to keep furniture away from direct sunlight as sun may damage the finish.

Proper care and cleaning at home will extend the life of your purchase.

Following these important and helpful tips will enhance your furniture as it ages.