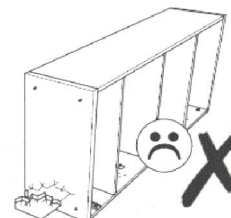
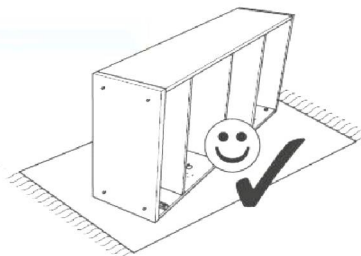
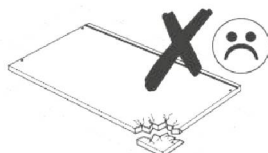
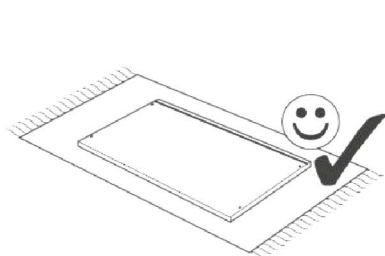
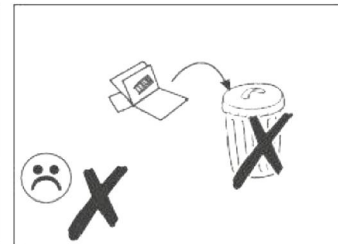
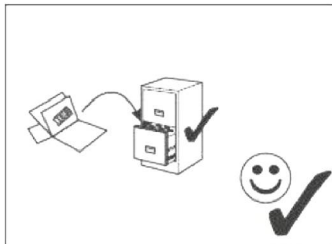
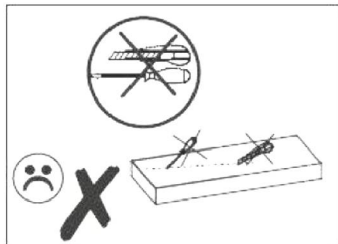
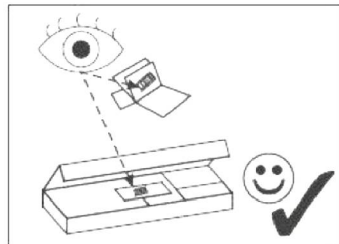
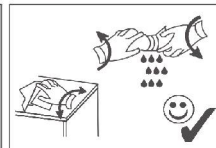
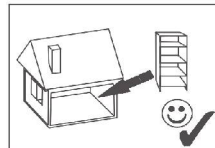
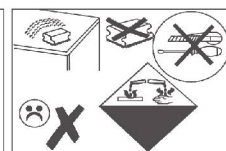
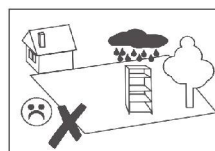
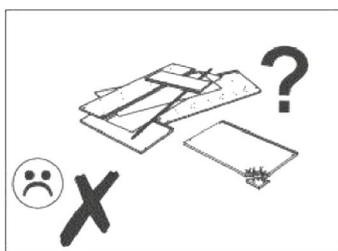
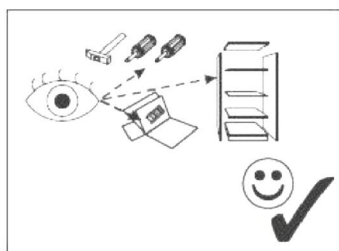
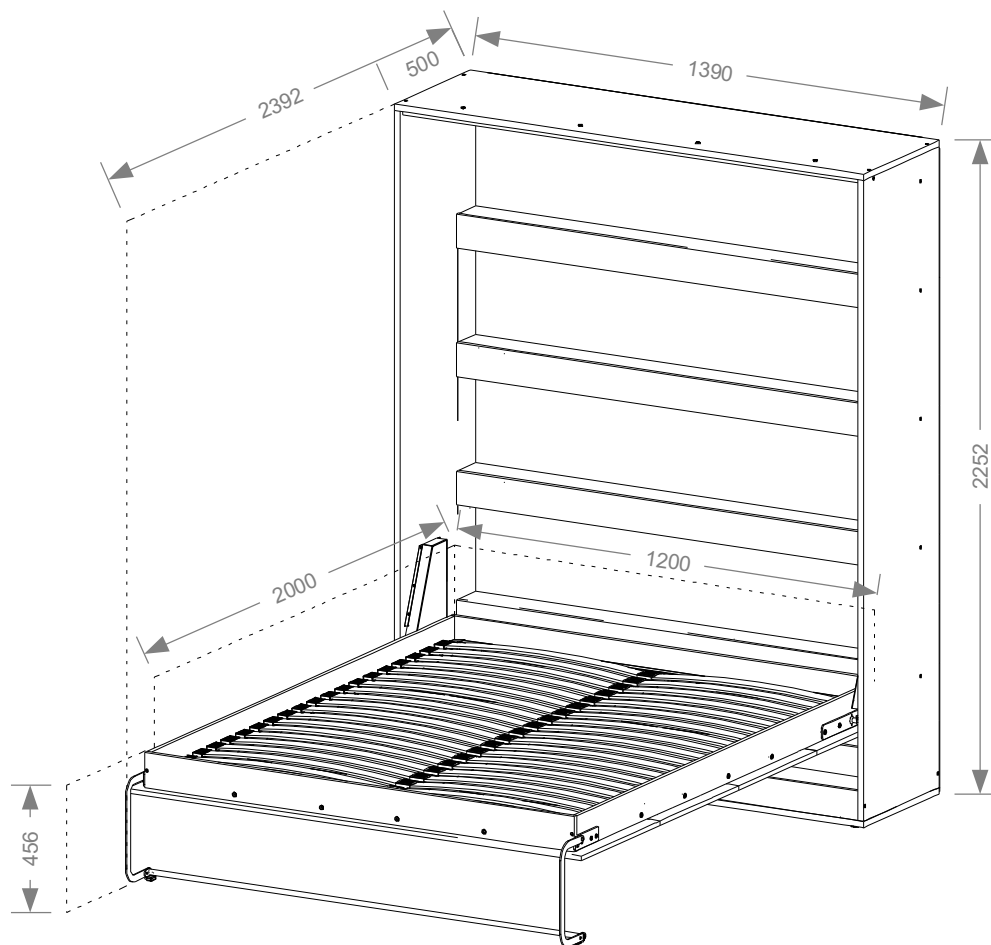
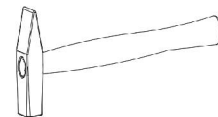
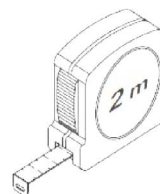
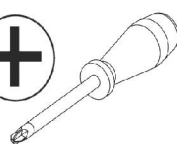
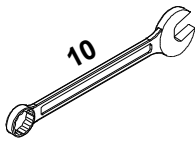
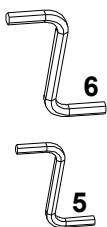
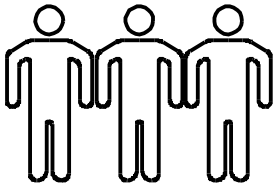
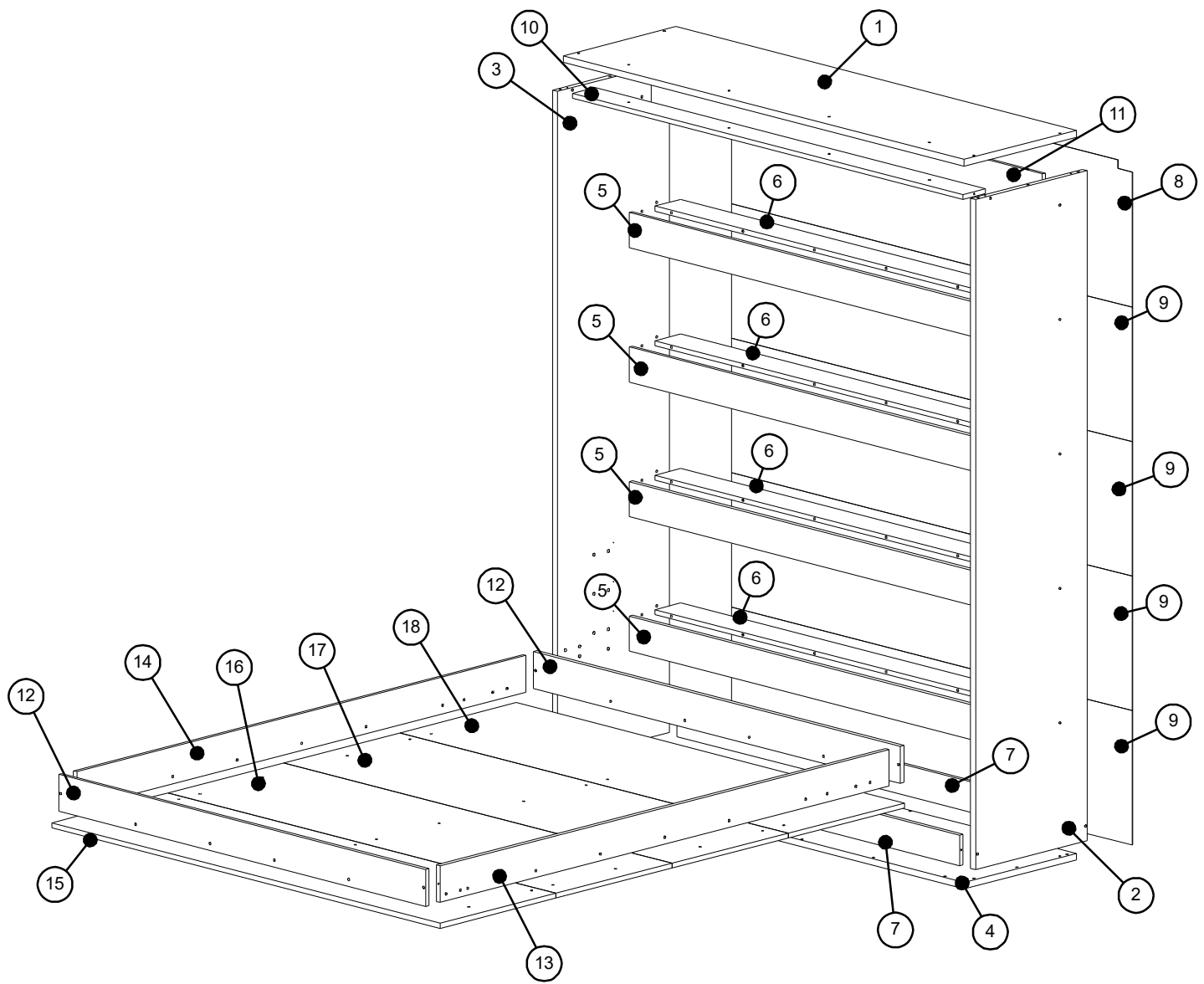
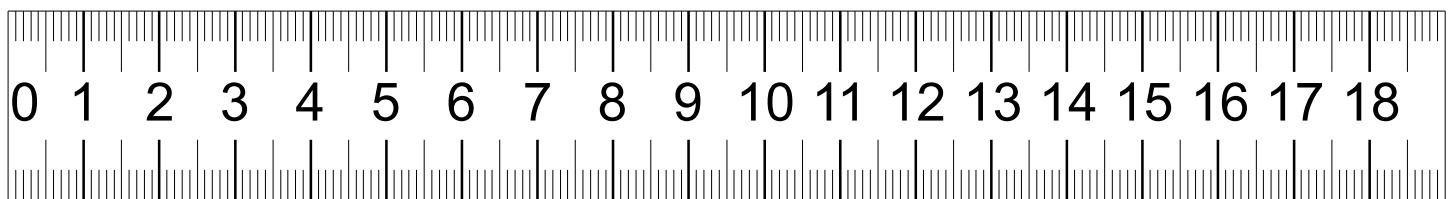
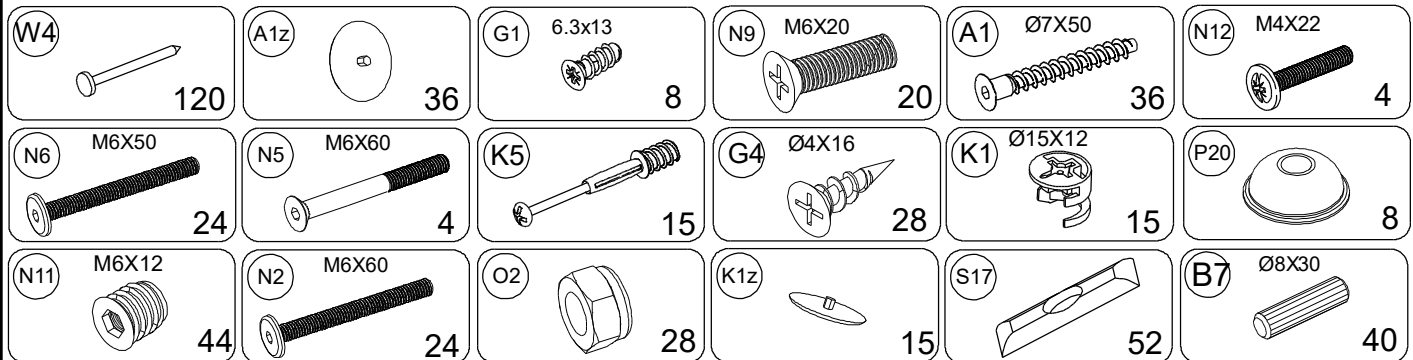


240 min

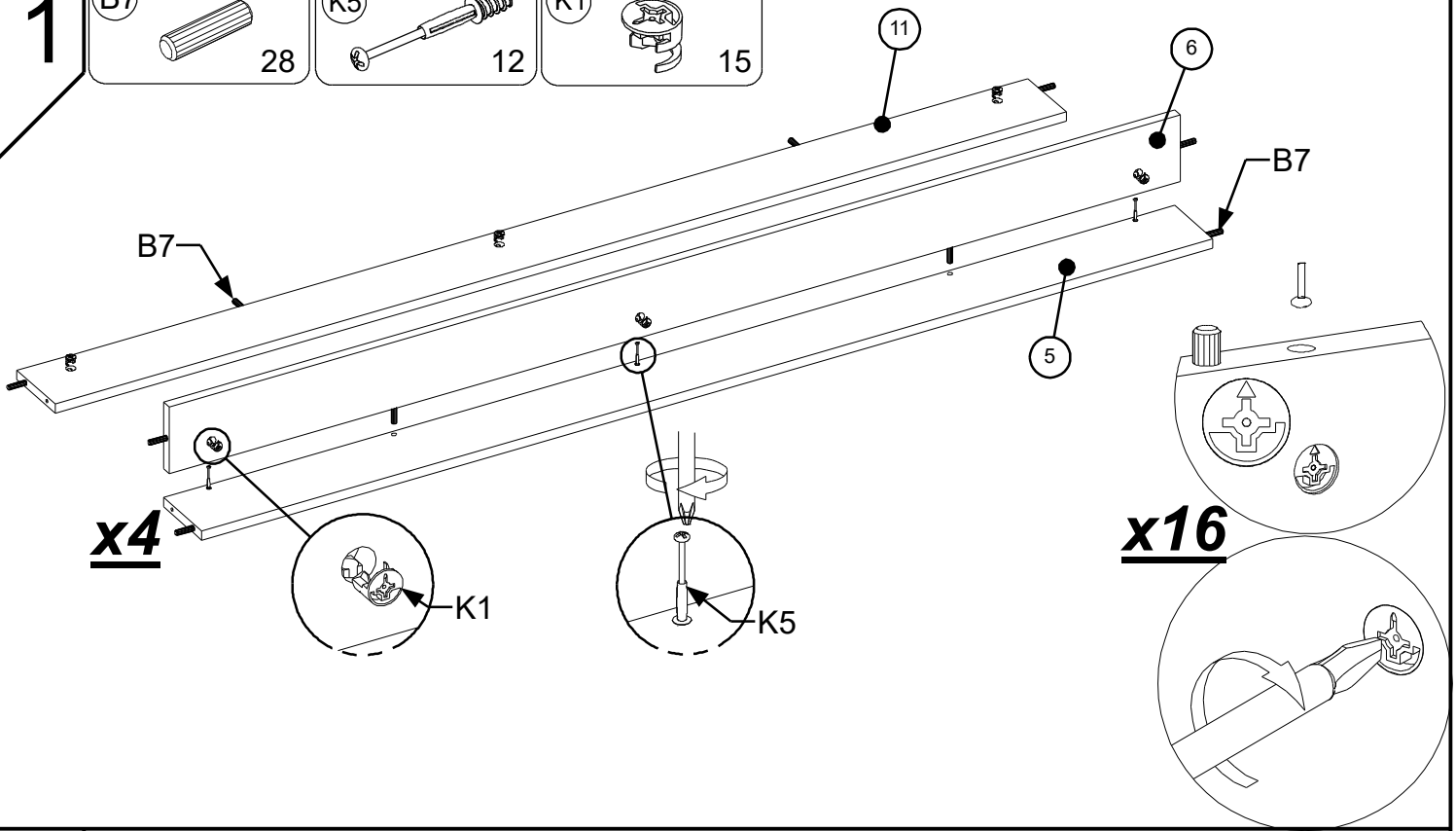
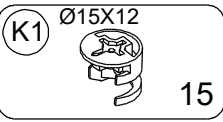
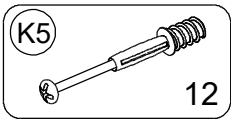
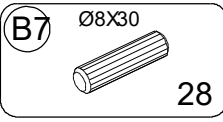




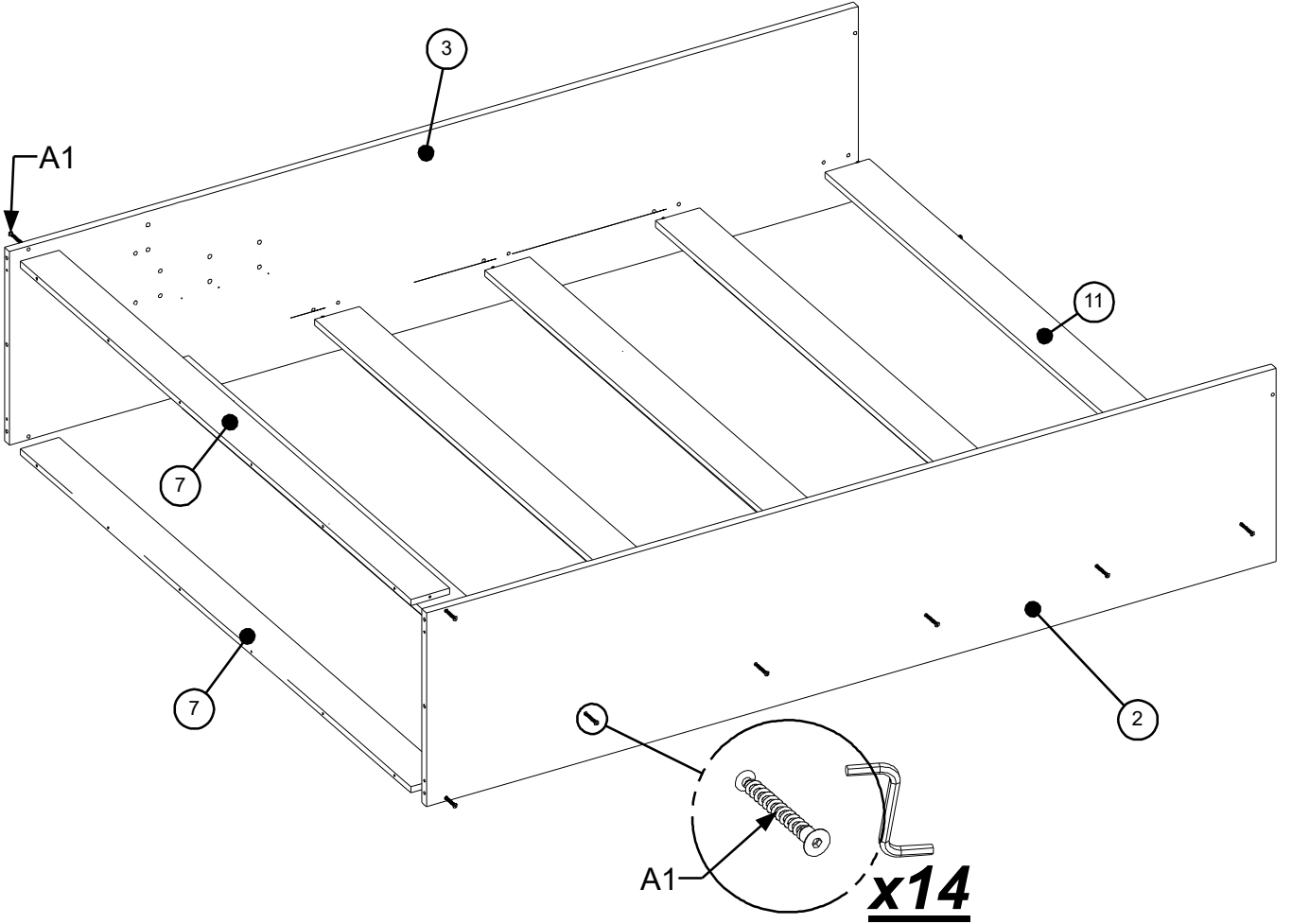
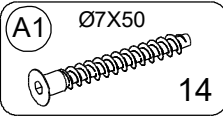
1/5	2, 3, 12, 13, 14, assembly instructions
2/5	1, 2, 5, 6, 7, 8, 9, 11
3/5	16, 17, 18, 19
4/5	Steel frame, mechanism, fittings
5/5	Handle, LED lights



1



2



3

3

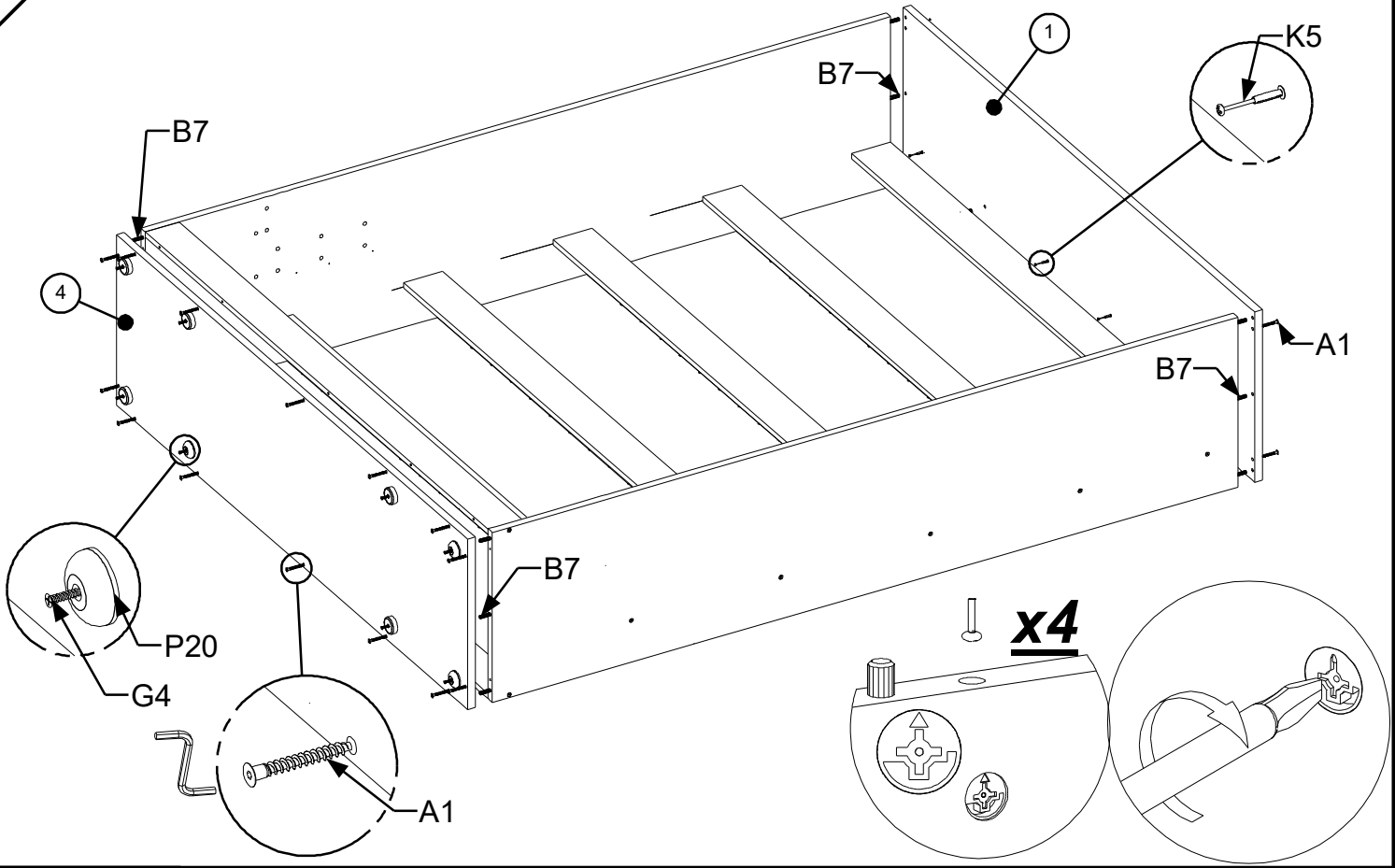
(B7) Ø8X30 12

(P20)

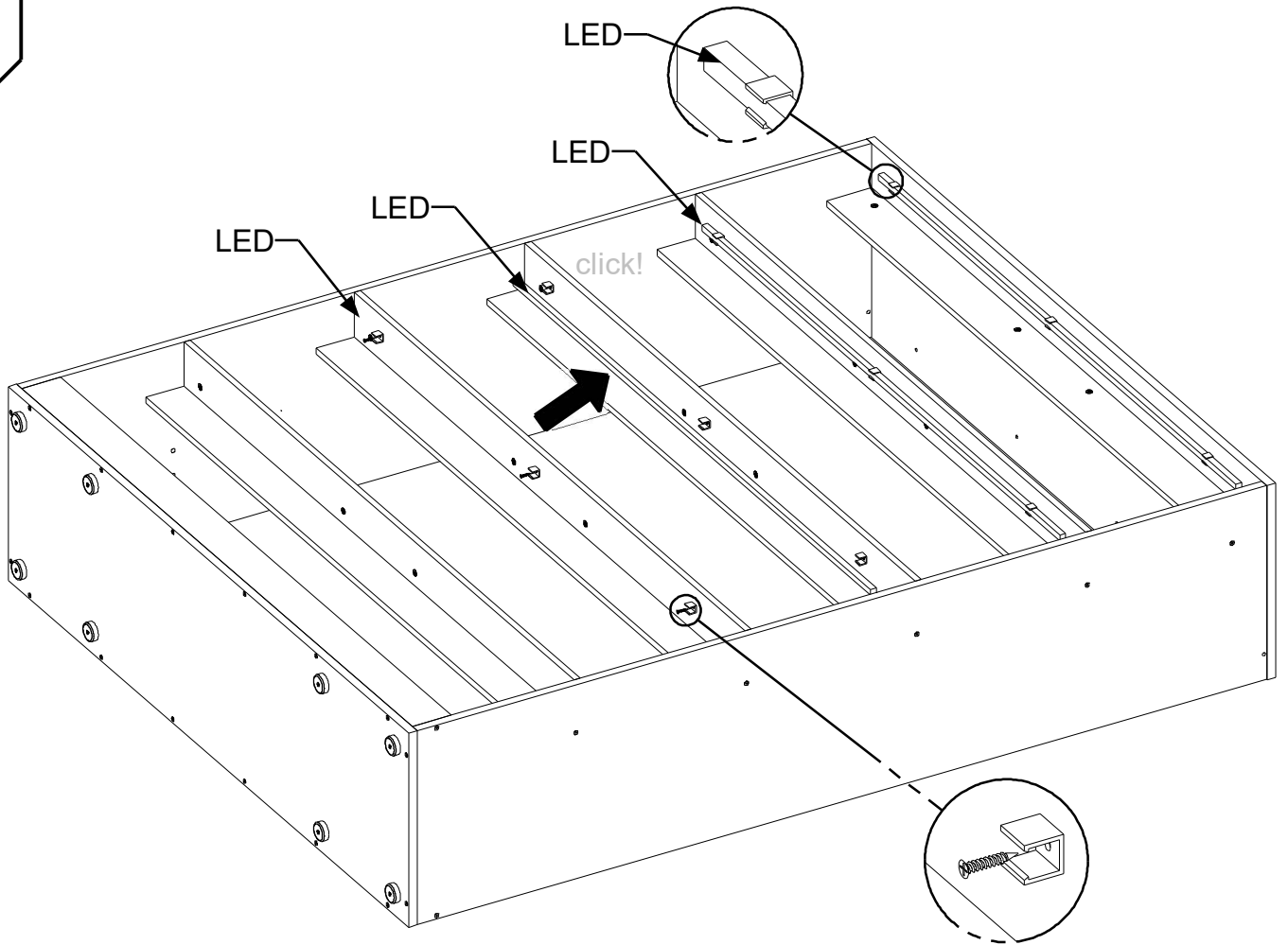
(G4) Ø4X16 8

(K5)

(A1) Ø7X50 18

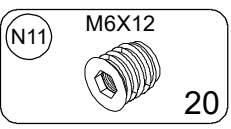
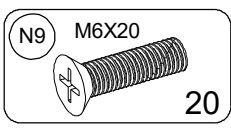
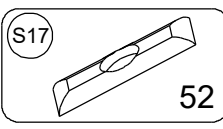
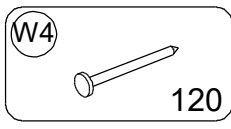


4

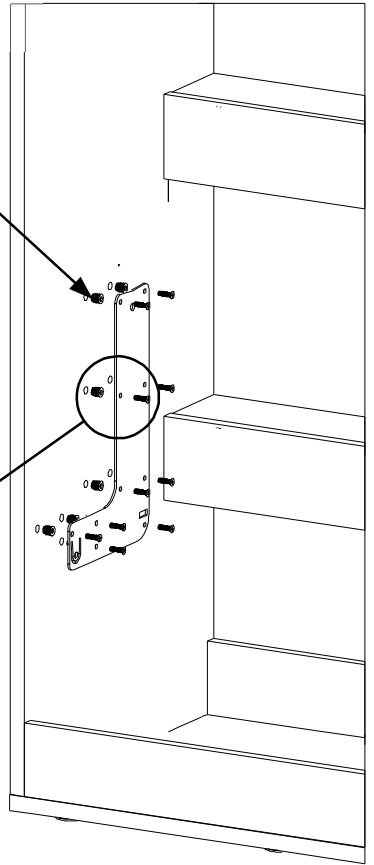
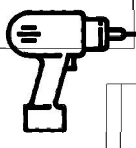
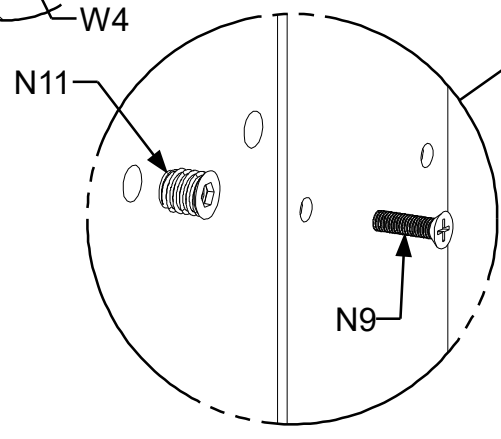
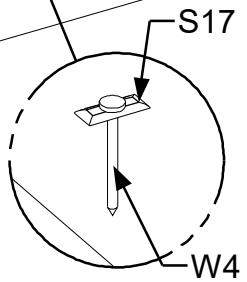
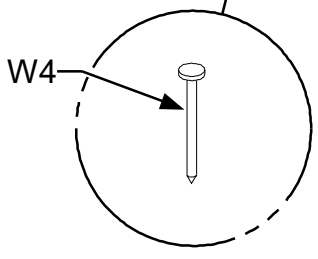
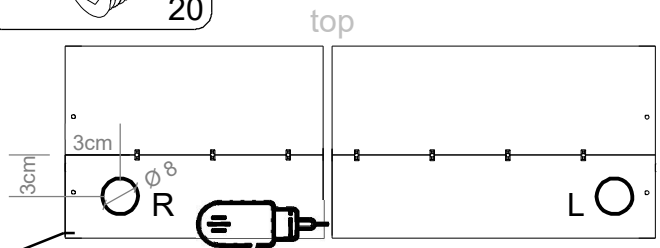
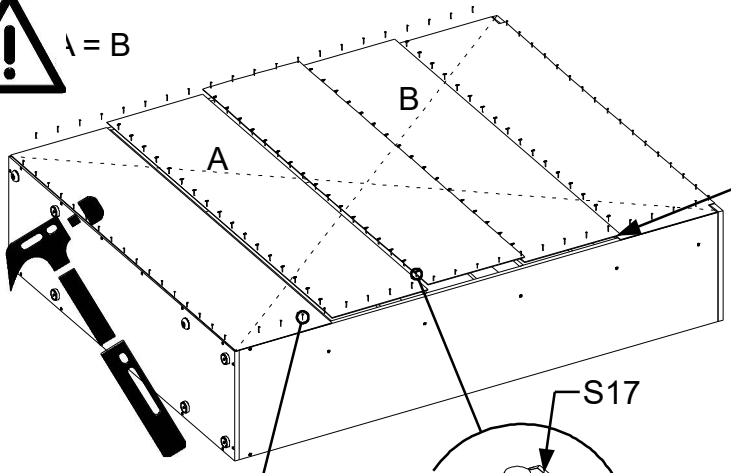


4

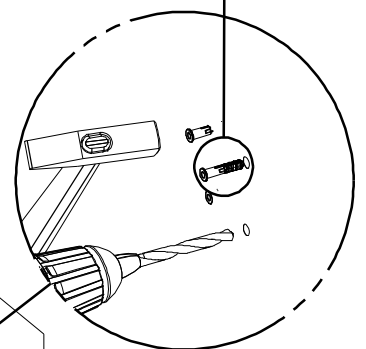
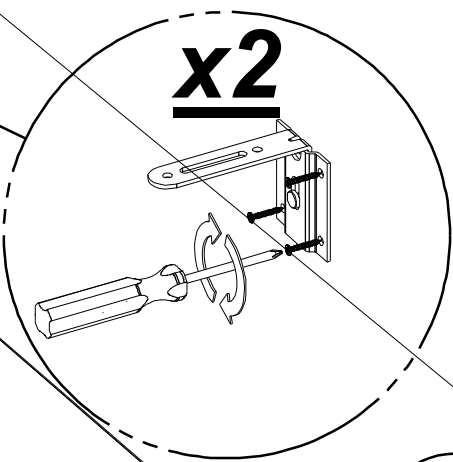
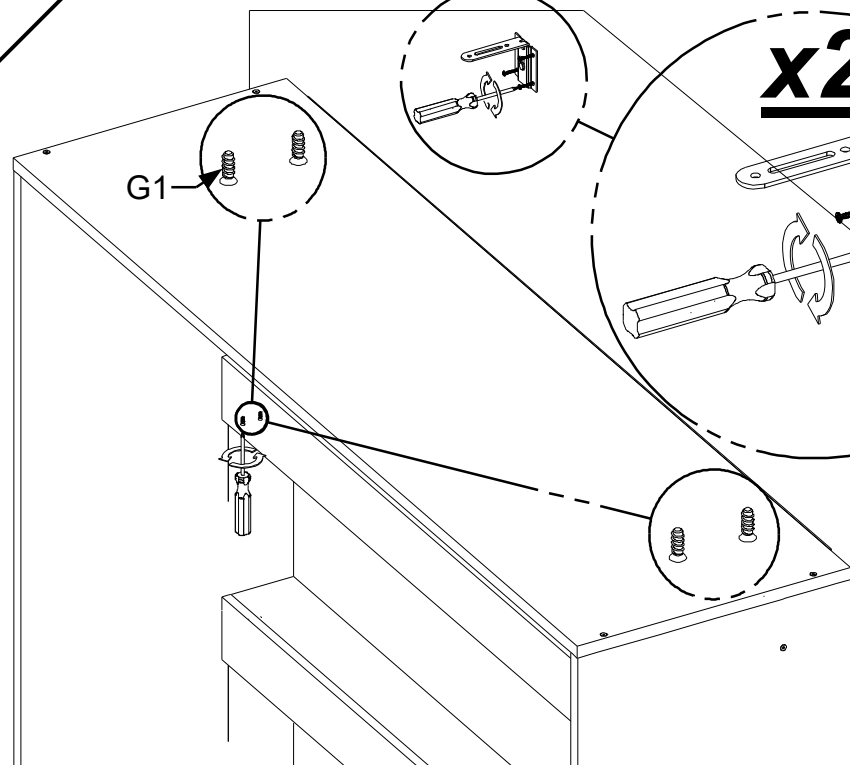
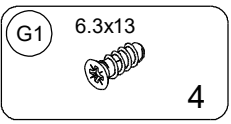
5



h = B

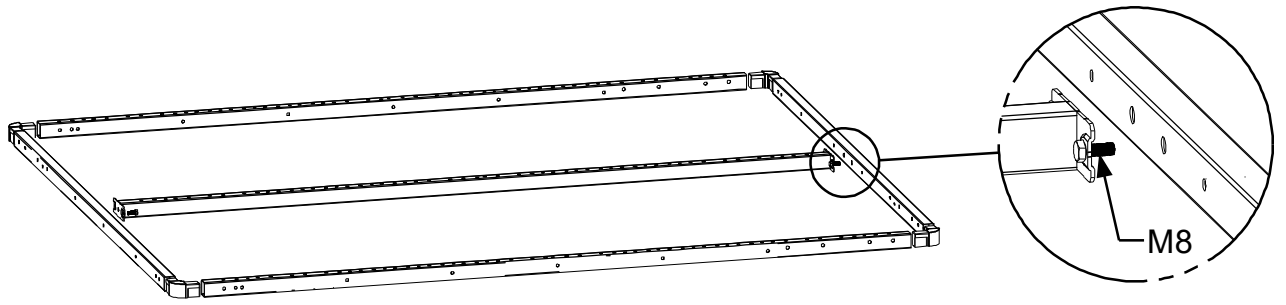


6

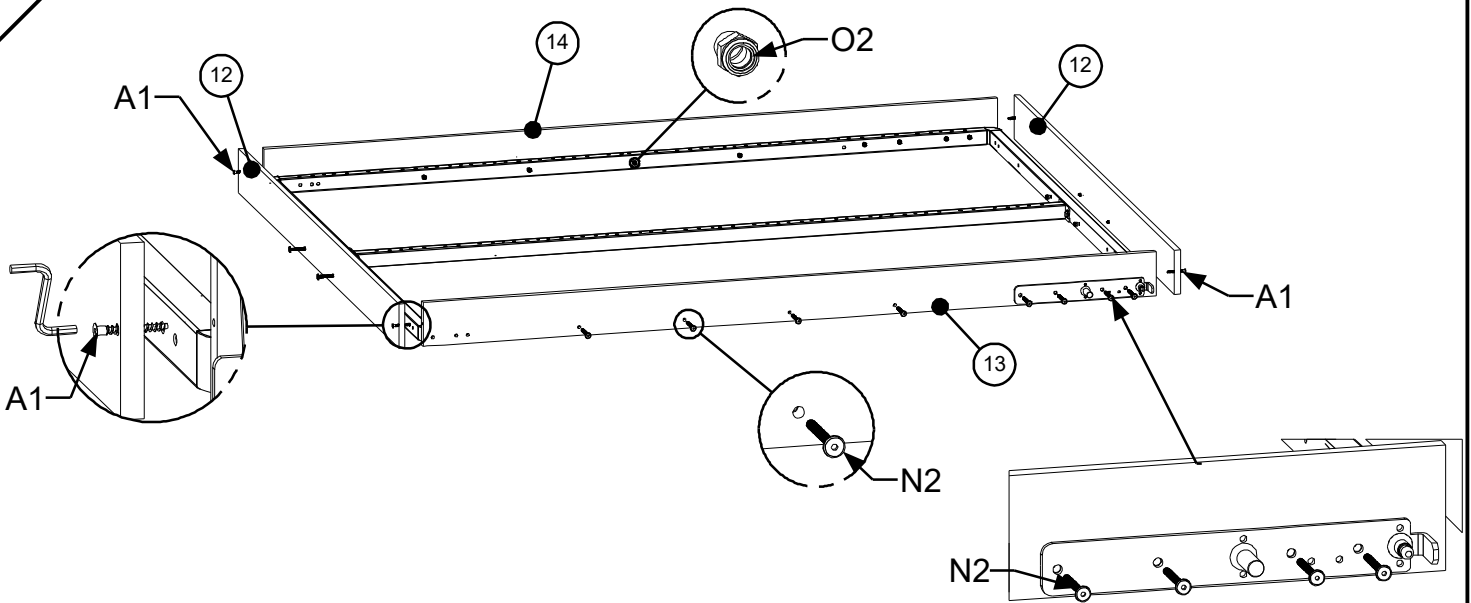
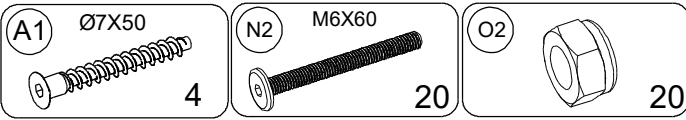


5

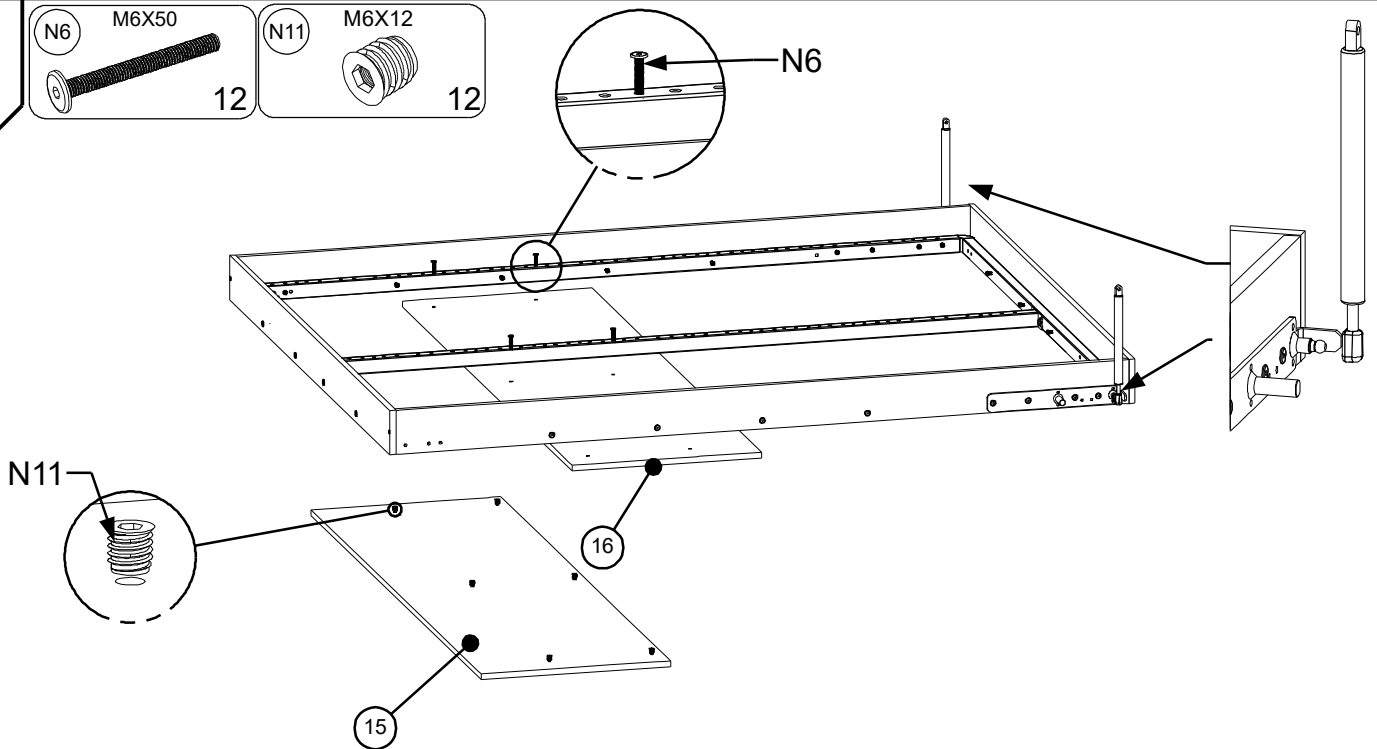
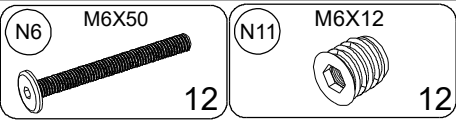
7



8



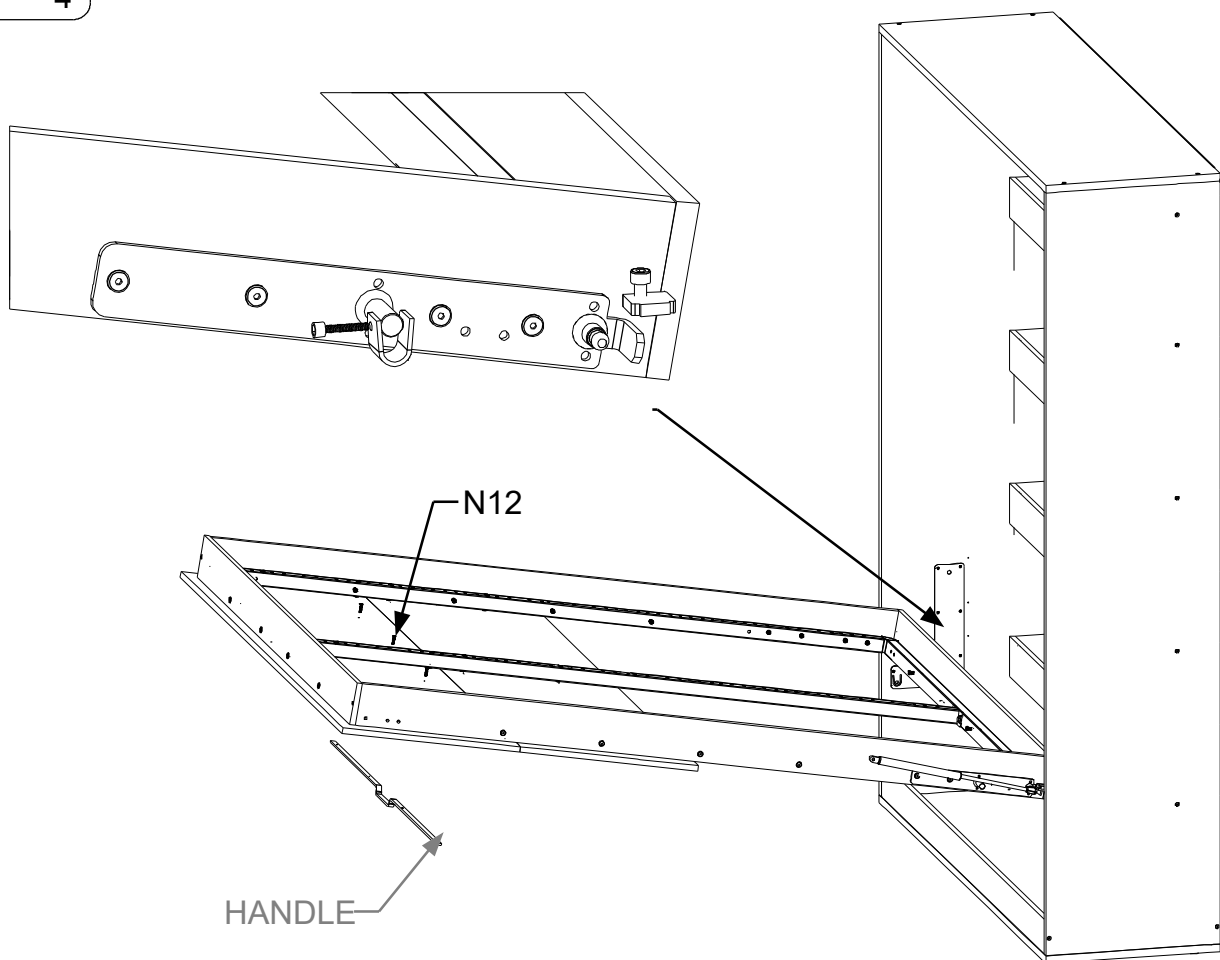

9



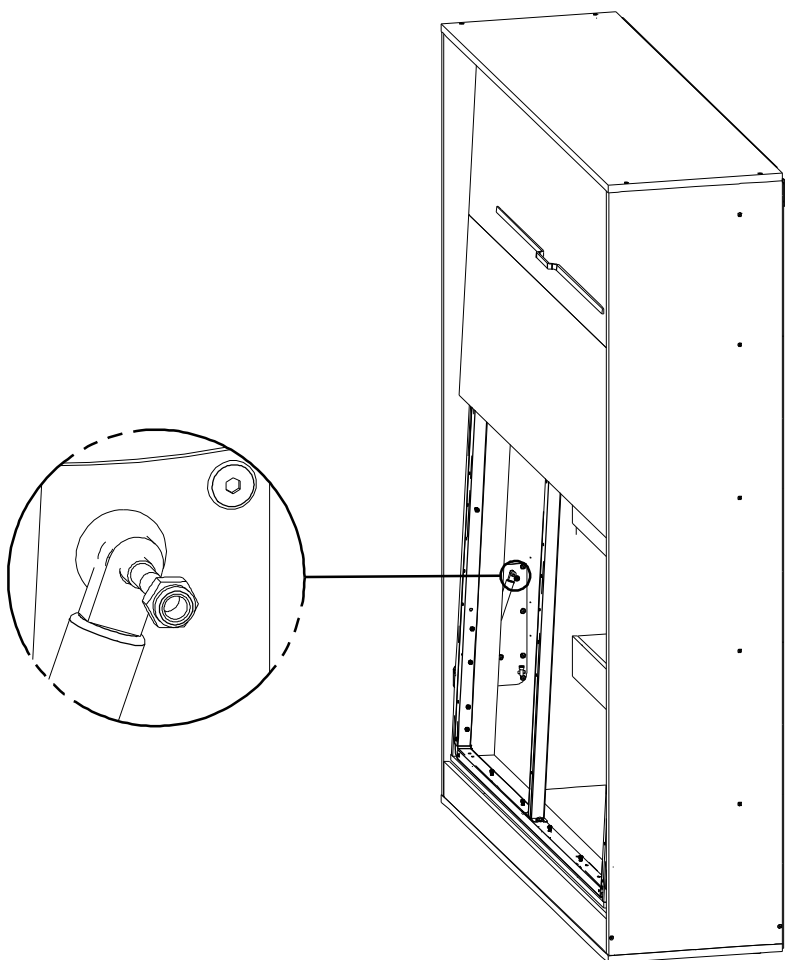
6

10

N12 M4X22 4

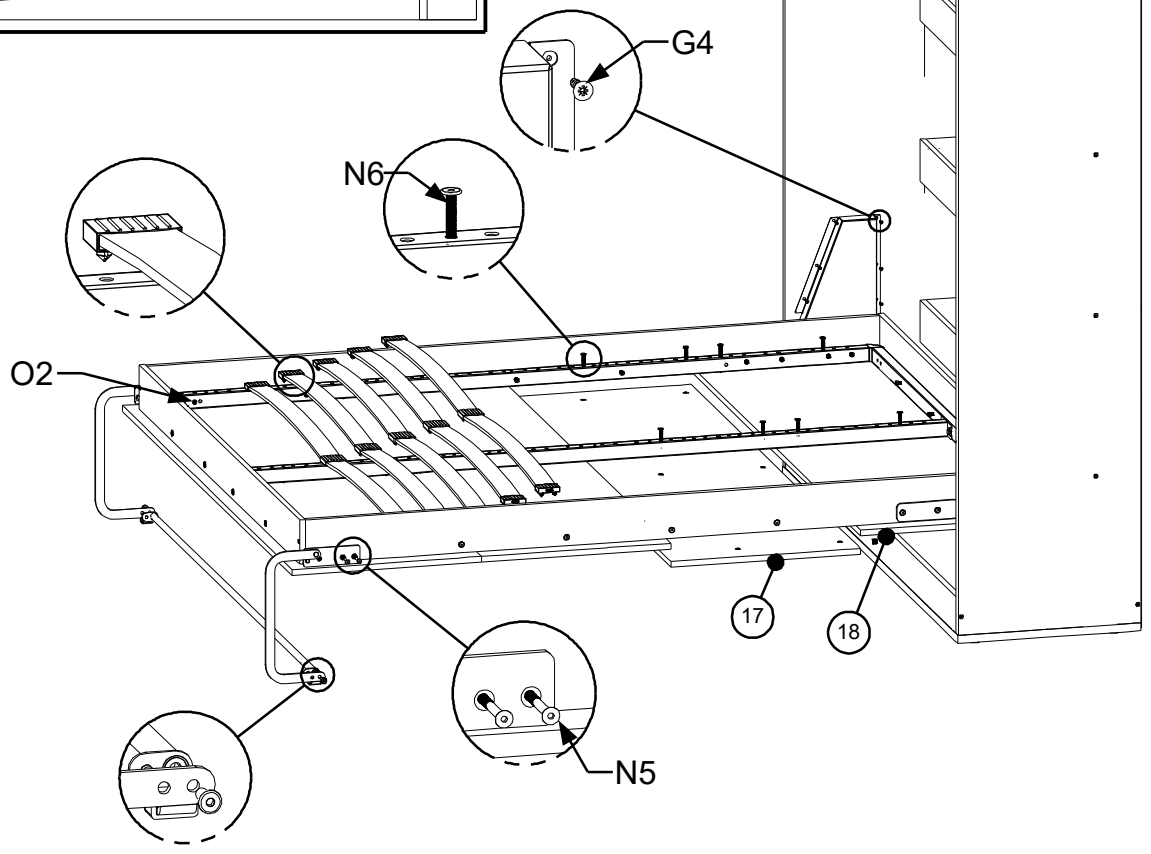
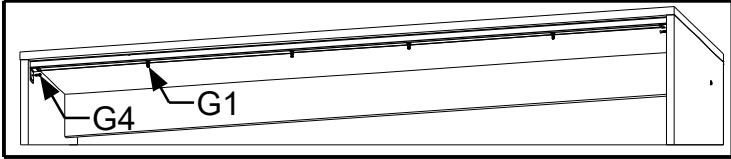


11



12

- G4 Ø4X16 14
- N6 M6X50 12
- G1 6.3x13 4
- N11 M6X12 12
- O2 4
- N5 M6X60 4



13

- G4 Ø4X16 6

