

# VELIS EVO WI-FI

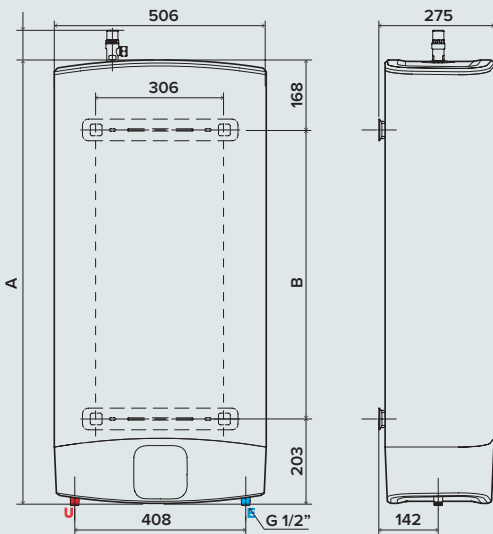


Velis Evo Wi-Fi is the perfect blend of comfort and design. Revolutionary in electric storage water heating, the Velis Evo Wi-Fi is always connected and shower ready in less than 30 minutes.

- / Twin tank design providing 16% more hot water
- / Ultra slim - 27cm depth
- / "Eco Evo" and "Programming" functions for up to 25% energy savings
- / Wi-Fi compatible for smartphone control
- / Best in class ErP rating
- / Anti-legionella and ABS safety system
- / Shower ready alerts in-app
- / Fast re-heat times, shower ready in less than 30 minutes
- / Premium Italian design
- / Available in 45 and 80 litre models
- / Must be installed with supplied unvented kit

ENERGY RATING





**VELIS EVO WI-FI 45**

**A** = 776mm    **B** = 405mm

**VELIS EVO WI-FI 80**

**A** = 1251mm    **B** = 880mm

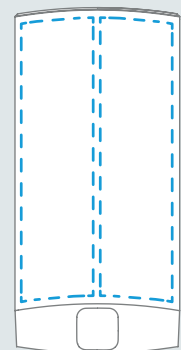
LEGEND

**E** Cold water inlet G 1/2"    **U** Hot water outlet G 1/2"

TECHNICAL DATA		VELIS EVO WI-FI	
Model		45	80
Installation		Vertical	Vertical
Thermostat		Electronic	Electronic
Power	kW	3/3	3/3
Body Colour		Brushed Metal	Brushed Metal
Tank Material		Enameled	Enameled
Aqua Ariston Net Compatibility		Yes	Yes
Warranty	years	5	5
Voltage	V	230-240	230-240
Max Working Temperature	°C	65	65
Heat-Up Time (ΔT 45°C)	mins	29	56
Standing Losses At 65°C	kWh/24h	0.96	1.32
V40	l	77	115
IP Protection		IPX4	IPX4
ErP Class		B	B
ErP Tapping Profile		M	M
Weight When Empty	kg	21	32
Weight When Full	kg	66	112
Qeiec	kWh	6,79	7,125
Qeiec, Week, Smart	kWh	25,467	27,141
Qeiec, Week	kWh	28,758	32,041
L <sub>wa</sub>	dB	15	15
η <sub>wh</sub>		39.1%	39.0%
Maximum Inlet Pressure (Rated Pressure)	bar	12	12
Maximum Design Pressure	bar	6	6
Set Operating Pressure Expansion Valve	bar	6	6
Pre-charge Pressure Of The Expansion Vessel	bar	3.5	3.5
Frequency (Hz)		50/60	50/60
Set Opening T&P Relief Valve	bar	7	7
Capacity	l	45	80
<b>Product Codes (including unvented kits)</b>		3626307	3626308

**TWIN TANK TECHNOLOGY**

Get up to **16% more hot water** with all models in the Velis Evo range, which boasts an innovative, high quality **titanium enamelled twin tank structure** for added durability. **Reduced stratification** with the unique twin tank technology, providing **extra hot water** and a **hot shower in less than 30 minutes**.



**AQUA ARISTON NET**

Velis Evo Wi-Fi is compatible with the Aqua Ariston Net app, allowing **full control and monitoring** from the palm of your hand. **Shuffle through modes** and turn the unit on remotely for a hot shower at the perfect time. With Aqua Ariston Net you can monitor energy consumption and achieve **savings of up to 25%** using daily and weekly programming.

