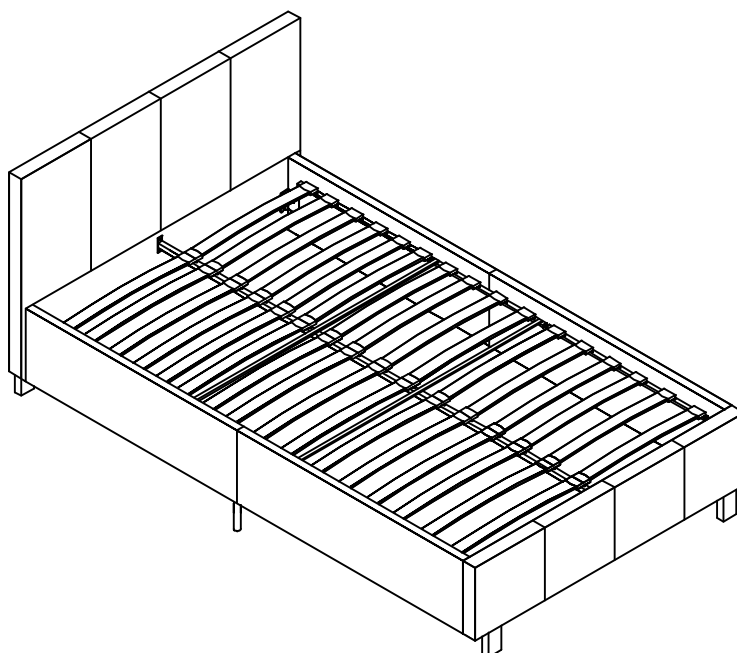


BED IN A BOX ASSEMBLY INSTRUCTIONS

Thank you for purchasing the BED IN A BOX. Please read the instructions carefully to ensure safe operation of the product.



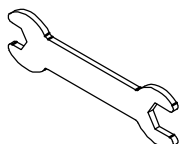
SIZE: 4FT, 4FT6 / FAUX LEATHER / Colour: Brown, Black, White, Grey

PLEASE READ this sheet prior to assembly to familiarise yourself with the various stages of construction.

Carefully open the pack supplied and check the contents against the parts and fittings check list. Do not destroy any of the packaging until you are certain that you have all the necessary parts for the assembly.

CAUTION: There are small components used in the construction of this unit. These loose items should be kept away from young children whilst assembling your unit to avoid the danger of choking hazards.

Tools Required



BED IN A BOX ASSEMBLY INSTRUCTIONS

**IMPORTANT - READ CAREFULLY - RETAIN THESE INSTRUCTIONS
FOR FUTURE REFERENCE.**

INFORMATION

- This product is intended for a maximum person's weight of 100kg per side. Do not exceed this weight.
- Due to the size of this product we recommend that it is assembled in the room intended for use.
- When you are ready to start, make sure that you have the right tools, plenty of space and a clean, dry area for assembly.
- Unwrap all packaging materials and place the components on top of the carton box or on a clean floor to prevent it from scratching.
- Check the pack and make sure you have all the parts listed.
- Ensure that this product is fully assembled and secured as illustrated before use.
- Check all screws or bolts are tightened and inspect regularly.
- This product should only be used on firm, level ground.
- Please dismantle for transportation.
- Tools are included.

WARNINGS

- Keep small parts out of reach of children.
- Make sure the legs remain in contact with the ground.
- Do not use power tools to construct this product.
- Do not tighten screws until fully assembled.
- Do not over tighten screws or bolts.
- Do not use this product if parts are missing, damaged or worn.
- Do not stand on the product.

CARE INFORMATION

- Never use scourers, abrasives or chemical cleaners.
- To clean wipe with a sponge and warm soapy water. Do not use solvent based cleaners or detergents as they can bleach or damage the product.

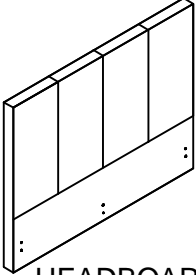
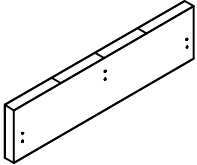
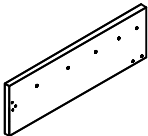
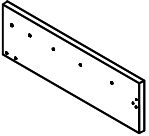
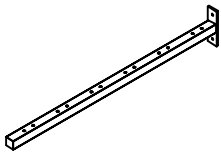
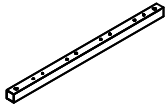
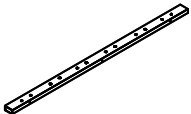
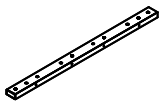
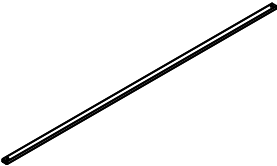



BED IN A BOX ASSEMBLY INSTRUCTIONS

Parts and Fittings Checklist

Please check the pack contents before assembling this product. If any components are missing, please contact your retailer.

The fittings pack contains small items that should be kept away from small children.

Parts

1  HEADBOARD 1 PC	2  FOOTBOARD 1 PC	3  SIDE PANEL A 2 PCS
4  SIDE PANEL B 2 PCS	5  CENTRE RAIL A 2 PCS	6  CENTRE RAIL B 1 PC
7  LONG SIDE RAIL 4 PCS	8  SHORT SIDE RAIL 2 PCS	9  CROSS RAIL 2 PCS
10  CENTRE SUPPORT LEG 2 PCS	11  BRACKET L 2 PCS	12  BRACKET R 2 PCS

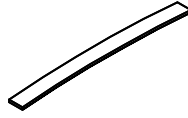
BED IN A BOX ASSEMBLY INSTRUCTIONS

13



**SIDE SUPPORT LEG
2 PCS**

14



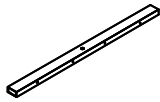
**WOODEN SLAT
32 PCS**

15



**LEG
4 PCS**










16



**SIDE RAIL BOTTOM BAR
2 PCS**

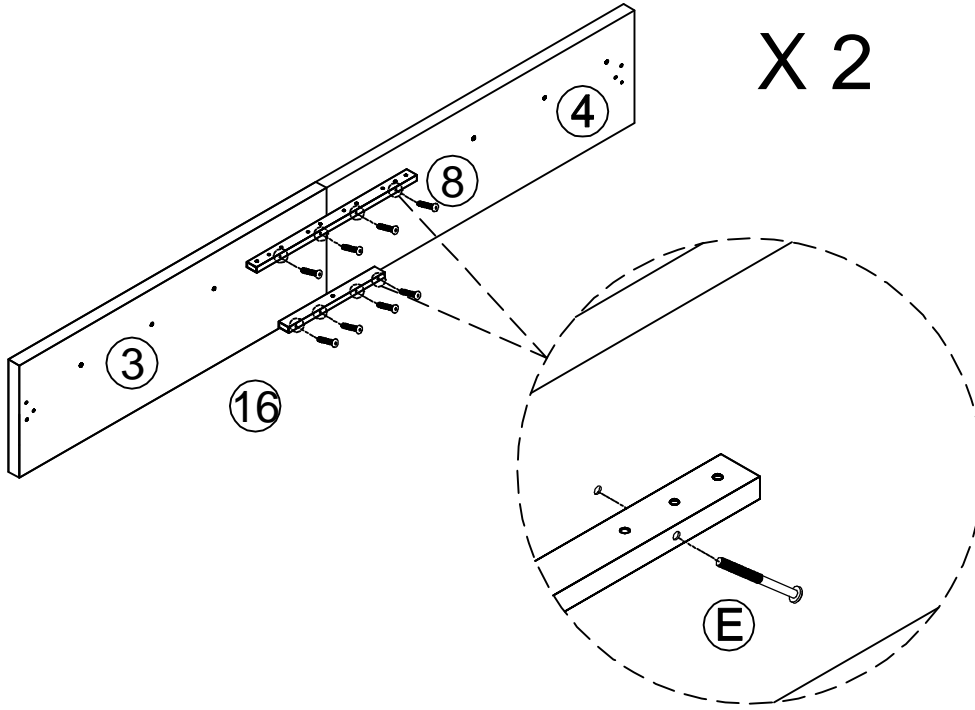
BED IN A BOX ASSEMBLY INSTRUCTIONS

Fittings

Code	Item		Quantity
A	PLASTIC END CAP		32 PCS
B	PLASTIC CENTRE CAP		16 PCS
C	M6 X 20MM BOLT		28 PCS
D	M6 X 30MM BOLT		2 PCS
E	M6 X 45MM BOLT		34 PCS
F	M6 NUT		6 PCS
G	M8 X 47MM BOLT		4 PCS
H	4MM ALLEN KEY		1 PC
I	SPANNER		1 PC

BED IN A BOX ASSEMBLY INSTRUCTIONS

STEP 1



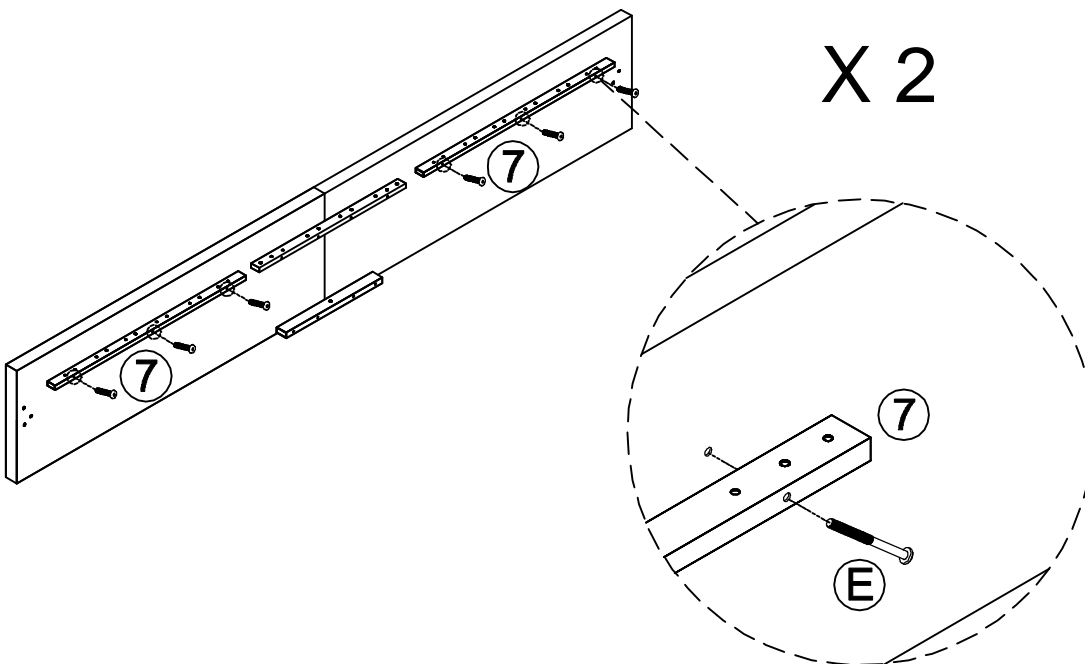
X 2

PARTS REQUIRED

3.SIDE PANEL A x 2
4.SIDE PANEL B x 2
8.SHORT SIDE RAIL x 2
16.SIDE RAIL BOTTOM BAR x 2

E x 16
H x 1

STEP 2



X 2

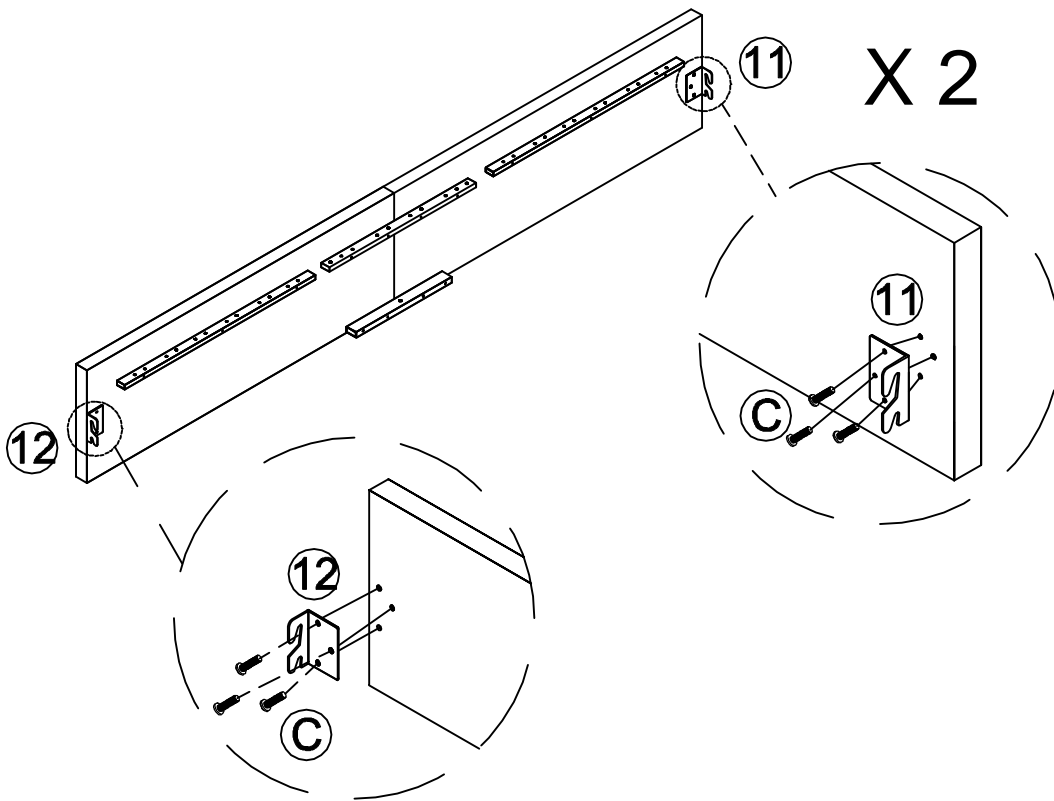
PARTS REQUIRED

7.LONG SIDE RAIL x 4

E x 12
H x 1

BED IN A BOX ASSEMBLY INSTRUCTIONS

STEP 3

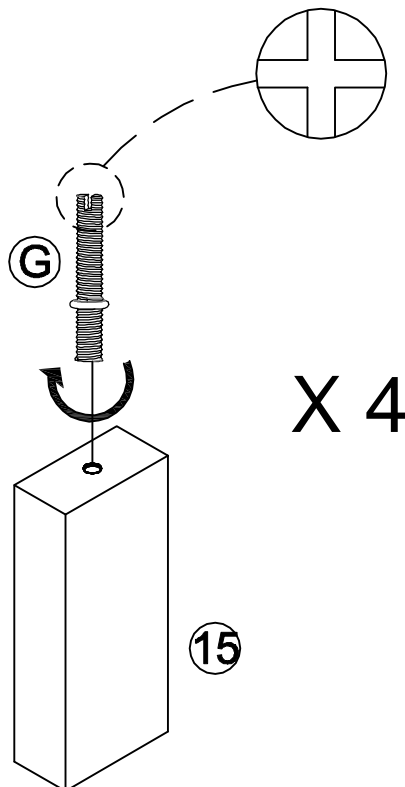


PARTS REQUIRED

11.BRACKET L x 2
12.BRACKET R x 2

C x 12
H x 1

STEP 4



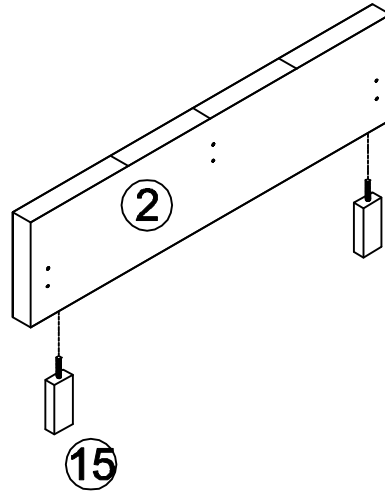
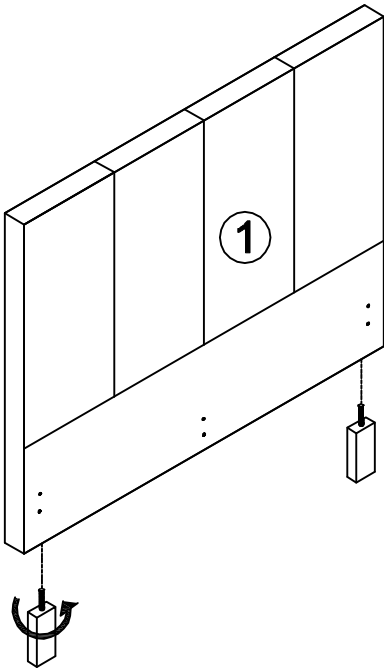
PARTS REQUIRED

15.LEG x 4

G x 4

BED IN A BOX ASSEMBLY INSTRUCTIONS

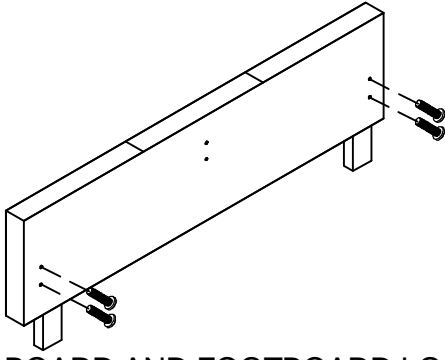
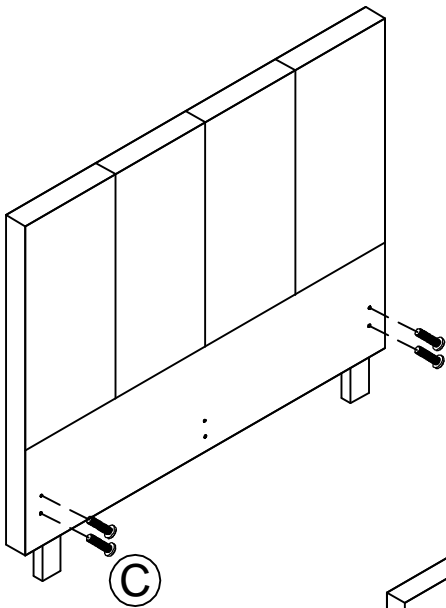
STEP 5



PARTS REQUIRED

- 1. HEADBOARD x 1
- 2. FOOTBOARD x 1

STEP 6



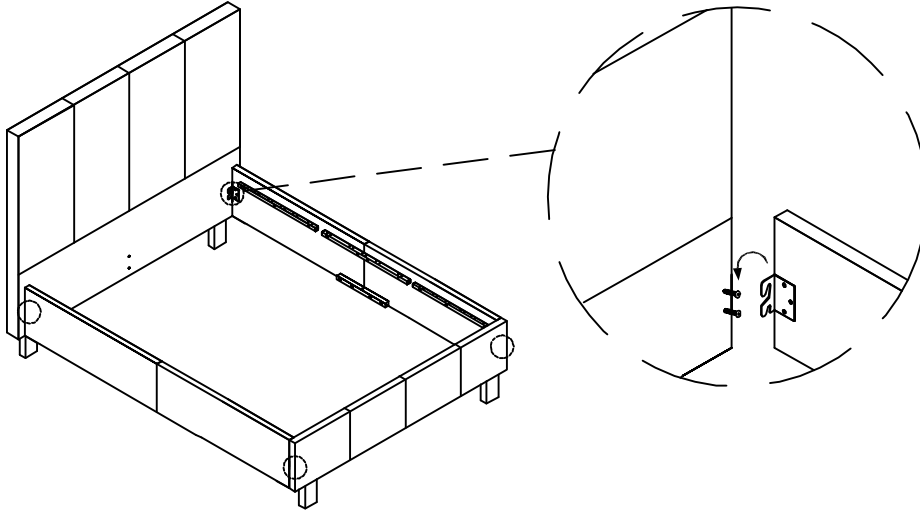
PARTS REQUIRED

- C x 8
- H x 1

ATTACH THE 8 BOLTS (C) TO HEADBOARD AND FOOTBOARD LOOSELY.

BED IN A BOX ASSEMBLY INSTRUCTIONS

STEP 7



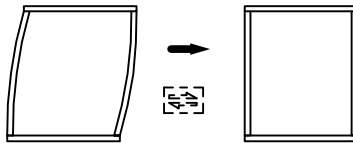
PARTS REQUIRED

H x 1

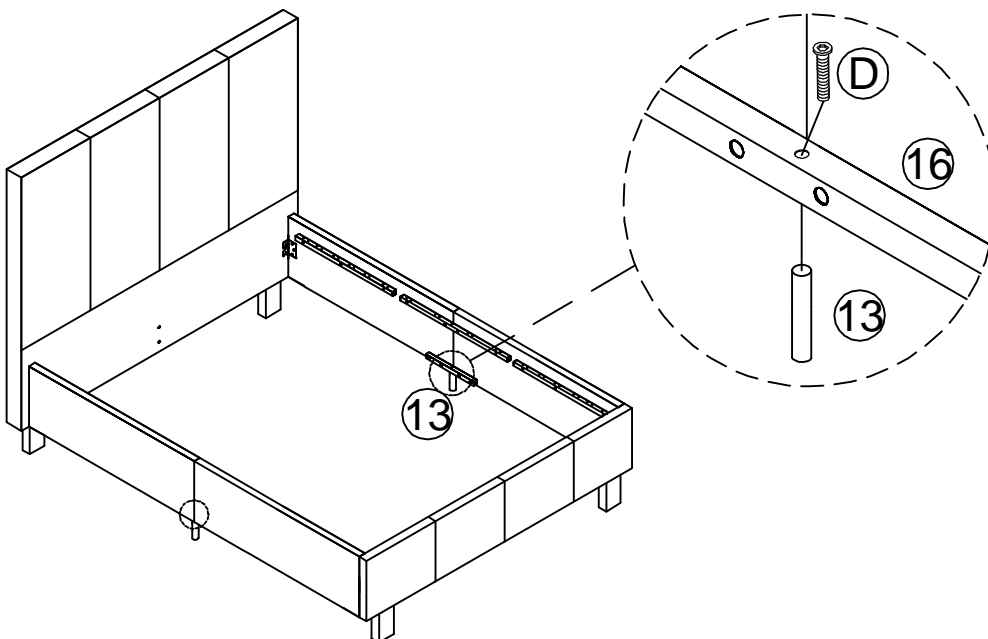
SLIDE THE SIDE RAILS ONTO THE BOLTS (C) AND THEN TIGHTEN SO THE SIDE RAILS ARE SECURELY ATTACHED TO THE HEADBOARD AND FOOTBOARD.

MAKE CERTAIN THE BED IS SQUARE AS SHOWN.

Note: THEN tighten all bolts 100% using allen key



STEP 8



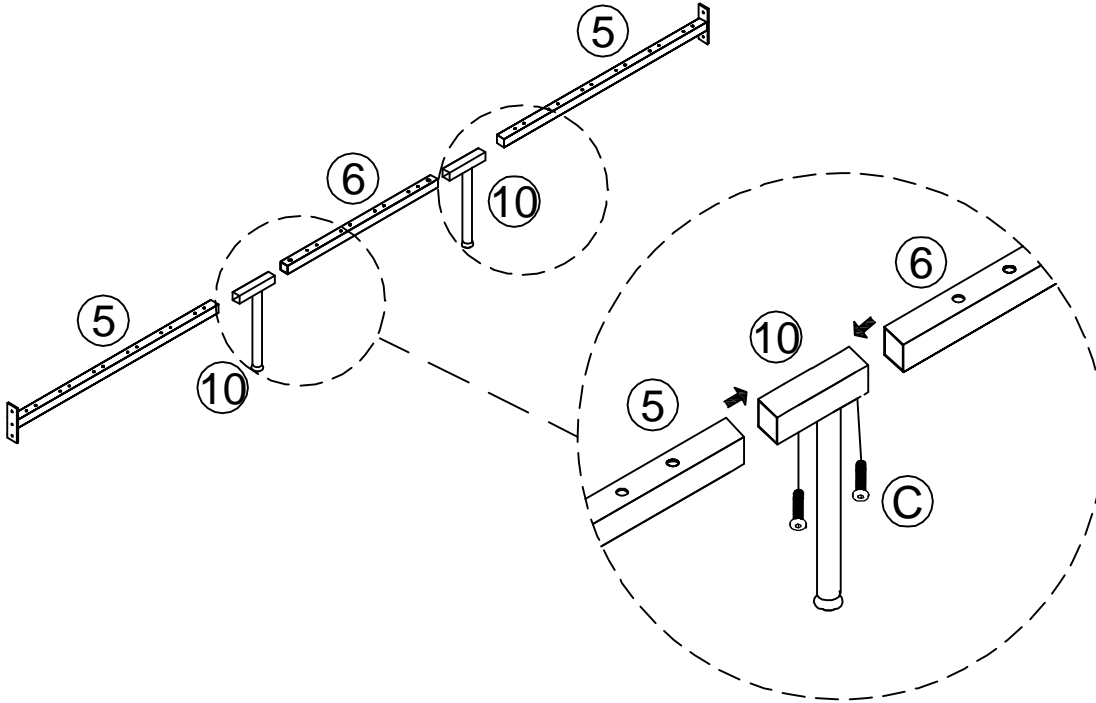
PARTS REQUIRED

13.SIDE SUPPORT
LEG x 2

D x 2
H x 1

BED IN A BOX ASSEMBLY INSTRUCTIONS

STEP 9

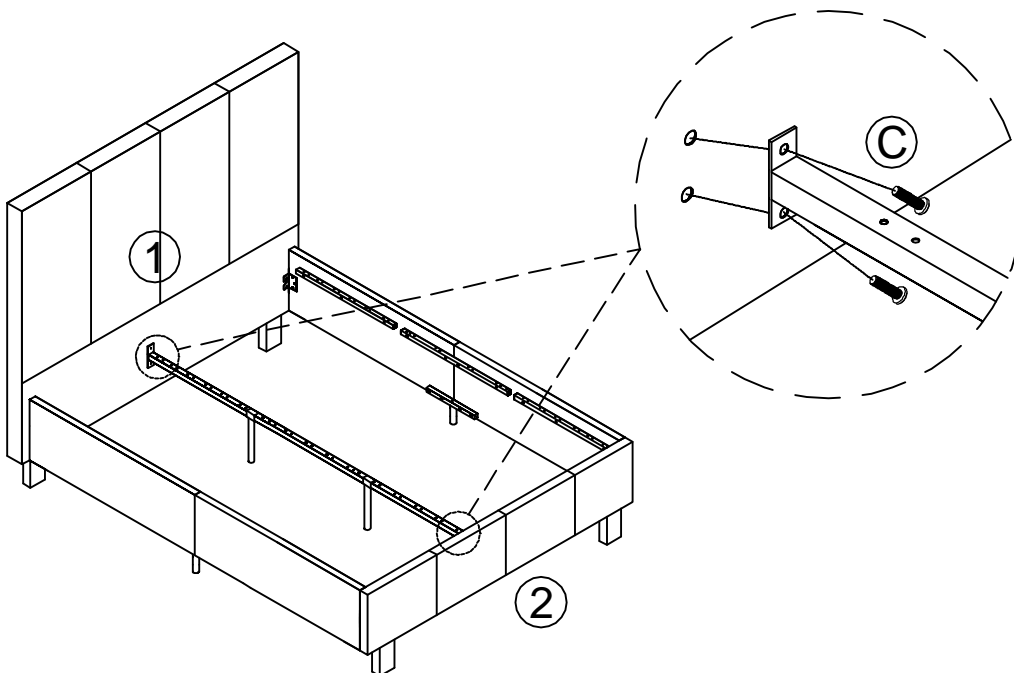


PARTS REQUIRED

5.CENTRE RAIL A x 2
6.CENTRE RAIL B x 1
10.CENTRE SUPPORT
LEG x 2

C x 4
H x 1

STEP 10

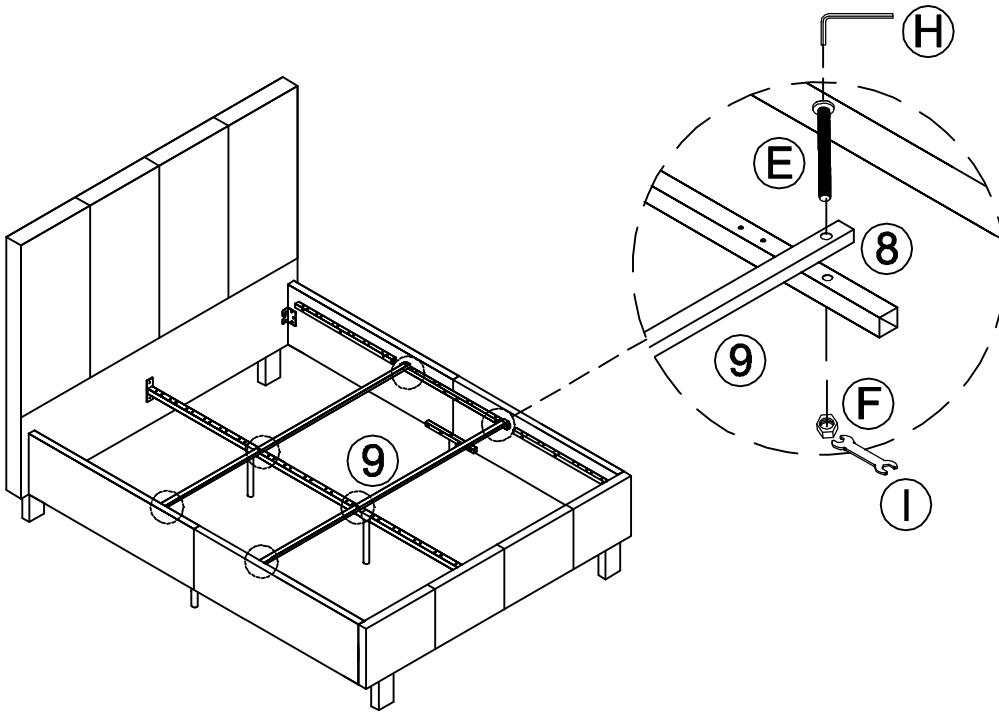


PARTS REQUIRED

C x 4
H x 1

BED IN A BOX ASSEMBLY INSTRUCTIONS

STEP 11

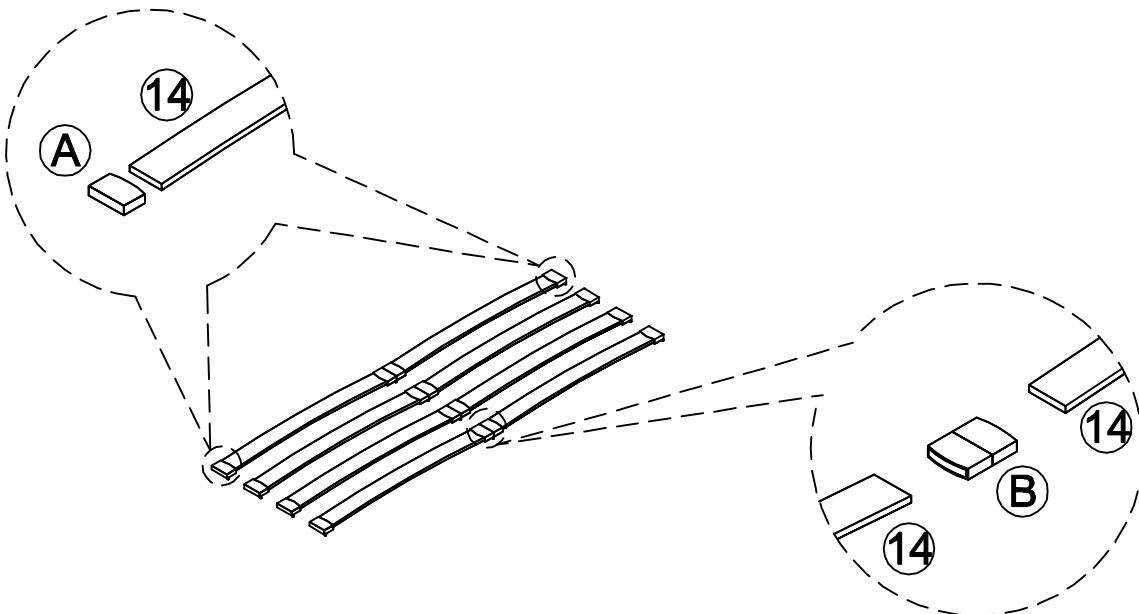


PARTS REQUIRED

9.CROSS RAIL x 2

E x 6
F x 6
H x 1
I x 1

STEP 12



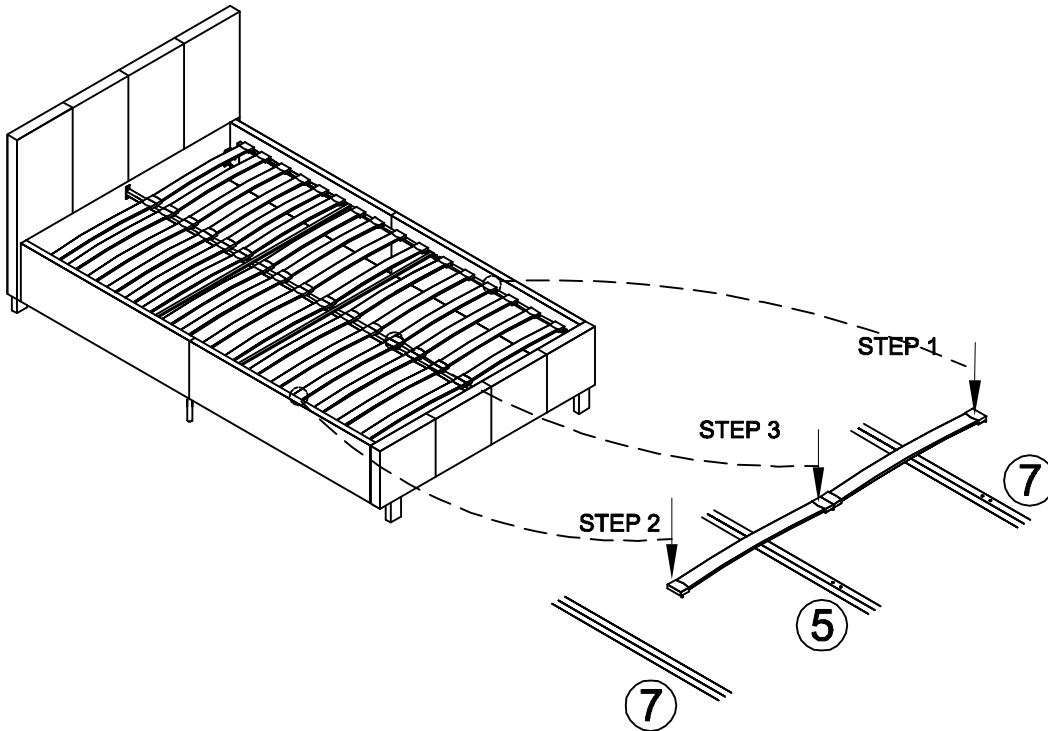
PARTS REQUIRED

14.WOODEN SLAT x 32

A x 32
B x 16

BED IN A BOX ASSEMBLY INSTRUCTIONS

STEP 13



COMPLETE

