

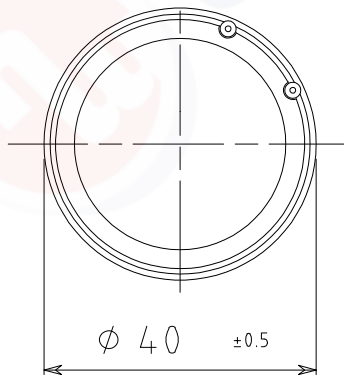
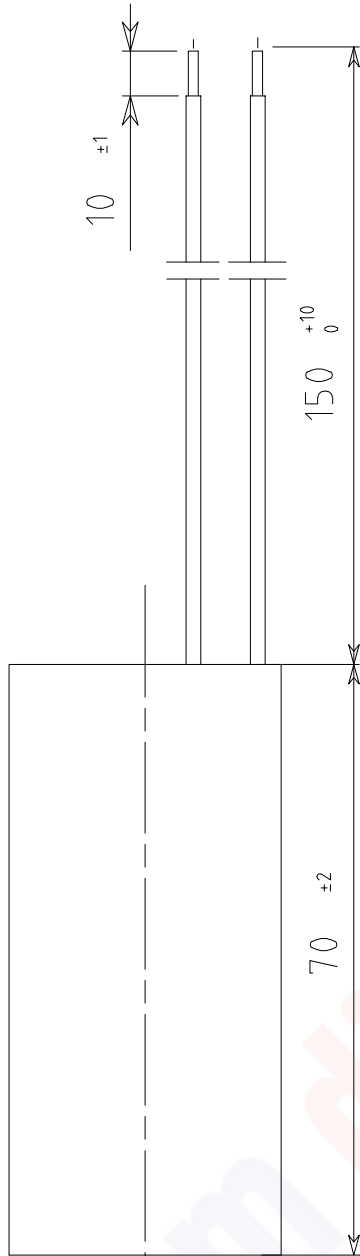
CERTIFICATION
OF THE QUALITY
SYSTEM OF THE
COMPANIES



Member of



The reproduction and/or divulgation of this drawing or its included informations is strictly prohibited unless authorized by the owning company DUCATI S.p.A.
E' vietata la riproduzione e/o la divulgazione di questo disegno unitamente alle informazioni in esso contenute senza l'autorizzazione della DUCATI S.p.A.



Characteristics:

Self healing metallized polypropylene film,
dry sealed with polyurethane resin.
Case and sealing cover
in self-extinguishing plastic material
(class V2 according UL94 test).

Leads:

Solid rigid annealed tinned copper wire
insulated with PVC, H05 V2-U type.
Nominal cross section 0.5mmq.
Temperature resistance 90°C.

Capacitance / Tolerance: 20µF±5%

DUCATI part number: 416102506

Climatic category: -25/85/21

Operation classes and approvals: see marking

Reference standards: EN60252-1/A1

Marking:



DUCATI
energia

416.10.25..

20 µF ±5%

425V ~ 10000h/cl.B

475V ~ 3000h/cl.C

-25/85/21 50-60Hz S0



EN 60252-1/A1

A General update		Descrizione/Description		12-09-19	Ciccola		
Ed. Data/Date Firma/Sign.							
MODIFICHE/REVISIONS							
DUCATI energia s.p.a.		TOLL. QUOTE LIBERE (TOLERANCE RATE) UNI-ISO 2768-m	TOLL. QUOTE LIBERE ANG. (ANG. TOLERANCE RATE)	SCALA/SCALE	DATA/DATE	FIRMA/DRAWN	VISTO/CHECKED
					14/10/2009	Mollica	
OGGETTO/PART NAME				CODICE/PART NR.			
Dimensions for metallized polypropylene film capacitor for A.C. use				416102506			
EDIZ./EDIT.				A			