

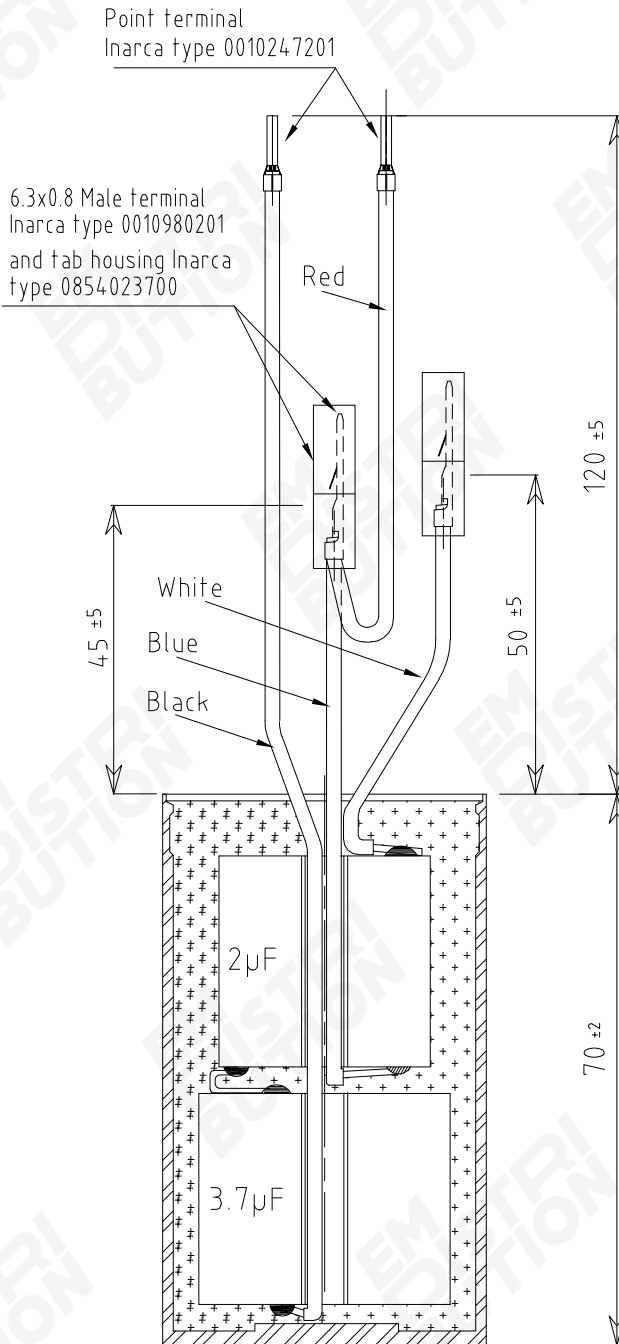
CERTIFICATION OF THE QUALITY SYSTEM OF THE COMPANIES



Member of



The reproduction and/or divulgation of this drawing or its included informations is strictly prohibited unless authorized by the owning company DUCATI S.p.A. E' vietata la riproduzione e/o la divulgazione di questo disegno unitamente alle informazioni in esso contenute senza l'autorizzazione della DUCATI S.p.A.



Characteristics: Self healing metallized polypropylene film, dry sealed with resin. Case in self-extinguishing plastic material.

Leads: Flexible annealed tinned copper wire, nominal cross section 0,5mmq insulated with PVC, temperature resistance 90°C, style H05 V2-K.

DUCATI part number: 416214225

Capacitance: 2 µF + 3.7µF

Tolerance: ±5%

Climatic category: -25/85/21

Protection degree: IP55

Operation classes and approvals: see marking

Reference standards: EN 60252-1/A1

Marking:



DUCATI energia

416.21.4.225

2 + 3,7 µF ±5%

425V ~ 3000h/cl.A

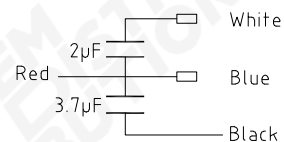
475V ~ 1000h/cl.B

500V ~ 3000h/cl.C

-25/85/21 S0

50-60Hz

EN60252-1/A1



Ed.	Descrizione/Description	Data/Date	Firma/Sign.
MODIFICHE/REVISIONS			
DUCATI energia s.p.a.	TOLL. QUOTE LIBERE (TOLERANCE RATE) UNI-ISO 2768-m	TOLL. QUOTE LIBERE ANG (ANG. TOLERANCE RATE)	SCALA/SCALE
	OGGETTO/PART NAME	DATA/DATE	FIRMA/DRAWN
Dimensions for metallized polypropylene film capacitor for A.C. use.		24/3/2016	Benfenati
		VISTO/CHECKED	
		CODICE/PART NR.	
		416214225 - A	
		EDIZ./EDIT.	