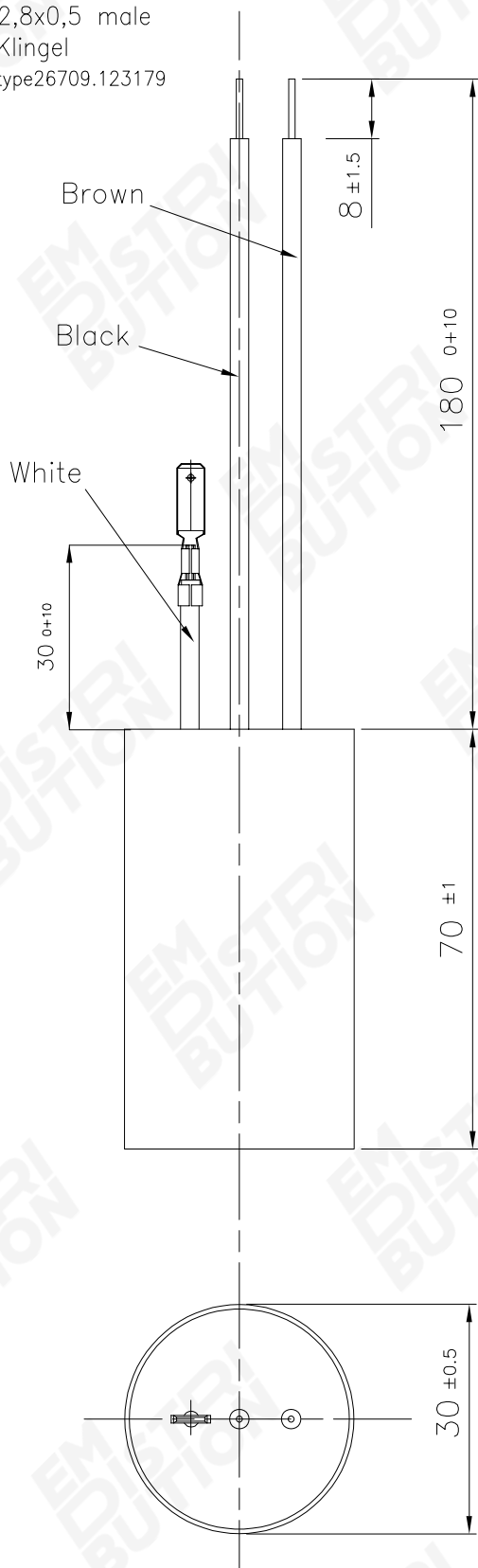




Member of



2,8x0,5 male
Klingel
type26709.123179



Characteristics: Self healing metallized polypropylene film, dry sealed with resin.
Case in self-extinguishing plastic material.

Leads: Flexible annealed tinned copper wire, nominal cross section 0,5mmq insulated with PVC, temperature resistance 90°C, style H05 V2-K.

DUCATI part number: 416216004

Capacitance: 2 μ F + 3,8 μ F

Tolerance: \pm 3%

Climatic category: -25/85/21

Protection degree: IP55

Operation classes and approvals: see marking

Reference standards: EN 60252-1

Marking:



DUCATI energia

416.21.6004

2 μ F \pm 3%

400V ~ 30000h/cl.A

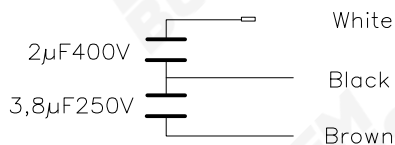
3,8 μ F \pm 3%

250V ~ 10000h/cl.B

50-60 Hz

-25/85/21 PO

EN60252-1



The reproduction and/or divulgation of this drawing or its included informations is strictly prohibited unless authorized by the owning company DUCATI S.p.A.
E' vietata la riproduzione e/o la divulgazione di questo disegno unitamente alle informazioni in esso contenute senza l'autorizzazione della DUCATI S.p.A.

TOLL. QUOTE LIBERE
(TOLERANCE RATE)

SCALA (SCALE)

DATA (DATE)

2/7/2007

FIRMA (DRAWN)

Mollica

VISTO (CHECKED)

SOST. IL (REPLACES)

SOST. DA (REPLACES BY)

DUCATI
energia s.p.a

OGGETTO
(PART NAME) Dimensions for metallized
polypropylene film capacitor for A.C. use.

CODICE
(PART NUMBER) 416216004

EDIZ.
(EDIT)