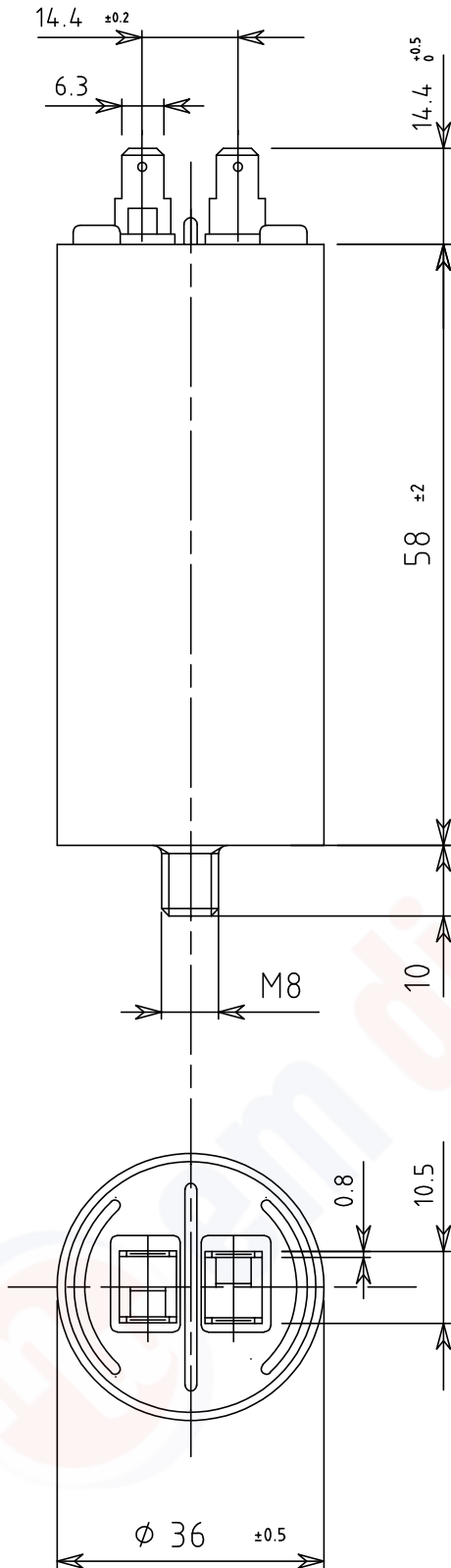


The reproduction and/or divulgation of this drawing or its included informations is strictly prohibited unless authorized by the owning company DUCATI S.p.A.
E' vietata la riproduzione e/o la divulgazione di questo disegno unitamente alle informazioni in esso contenute senza l'autorizzazione della DUCATI S.p.A.



Characteristics:

Self healing metallized polypropylene film,
dry sealed with polyurethane resin.

Case and sealing cover in self-extinguishing
plastic material (V2 class according UL-94 test).

Cover material properties:

Ball pressure test (IEC 60695-10-2): 125°C

Glow wire test (IEC 60695-2-11): 850°C

Tracking resistance (IEC 60112): >= 250V

DUCATI code: 416108164

Capacitance / Tolerance: 8µF ±5%

Test voltage (routine test):

Between terminals: 950Vac 2sec

Climatic category: -25/85/21

Protection degree: IP 00

Operation classes and approvals: see marking

Reference standards: EN60252-1/A1

Marking



416.10.81..

8 µF ±5%

425V ~ 10000h/cl.B

475V ~ 3000h/cl.C

-25/85/21 S0

50-60 Hz



EN 60252-1/A1

Ed.	Descrizione/Description						Data/Date	Firma/Sign.
MODIFICHE/REVISIONS								
DUCATI energia s.p.a.		TOLL. QUOTE LIBERE (TOLERANCE RATE) UNI-ISO 2768-m	TOLL. QUOTE LIBERE ANG. (ANG. TOLERANCE RATE)	SCALA/SCALE	DATA/DATE 29/09/2022	FIRMA/DRAWN E. Parmeggiani	VISTO/CHECKED	
	OGGETTO/PART NAME Dimensions for metallized polypropylene film capacitor for A.C. use.						CODICE/PART NR. 416108164	
EDIZ./EDIT.								