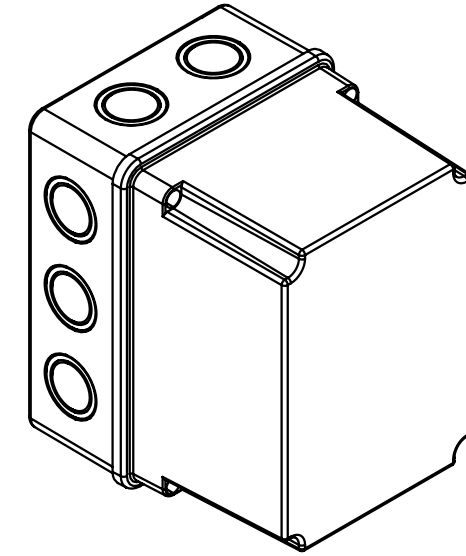
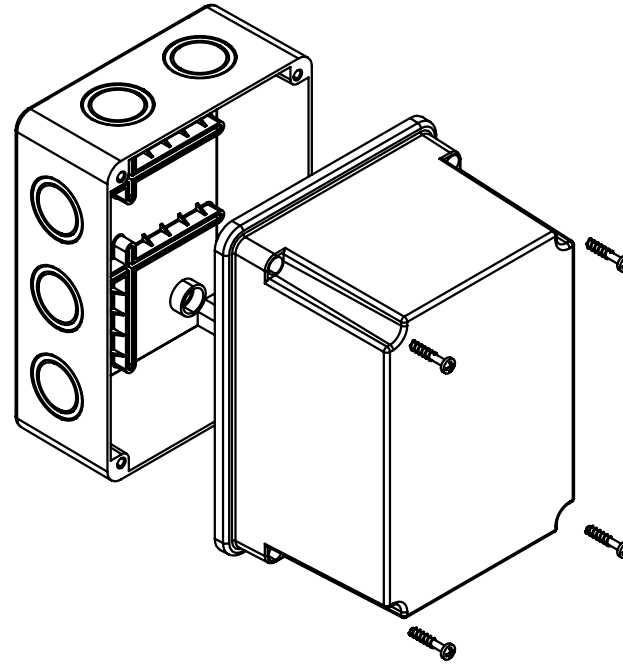


A-A



GENEL TOLERANSLAR DIN 7168	ÖLÇÜ TOLERANS	>0-6 ±0.1	>6-30 ±0.2	>30-120 ±0.3	>120-315 ±0.5	>315-1000 ±0.8	>1000-2000 ±1.2
-------------------------------	------------------	--------------	---------------	-----------------	------------------	-------------------	--------------------

The contents of this document are property of EM Distribution and should not be copied, reproduced or disclosed to a third party without written consent of the proprietor.

MALZEME / Material	KALINLIK / Thickness	AĞIRLIK / Weight	YÜZEY ALANI / Surface Area	FİNAL / Finish
ABS	mm	0.2308 Kg	244104.7399 m <sup>2</sup>	-
ÇİZEN / Designed by	İSİM / Name	TARİH / Date	İMZA / Signature	
KONTROL / Checked by				
ONAY / Approval				
ÖLÇEK / Scale	RESİM NO / DRAWING NUMBER	TANIM / DESCRIPTION		
1:3	CP 1261	SURFACE MOUNTED JUNCTION BOX WITH OPAQUE COVER 150X110X140		A3