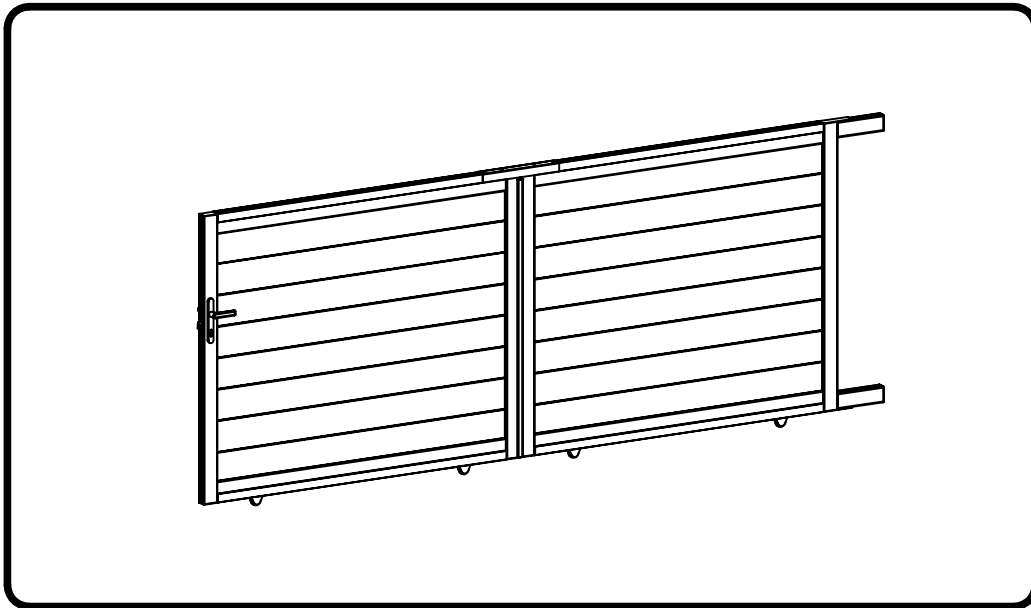


CASANOVO

EIGER 350C140



7-8H



x2

COM-000080

[x1]

COM-000081

[x1]

COM-000082

[x1]

FR

EN

ES

DE

IT

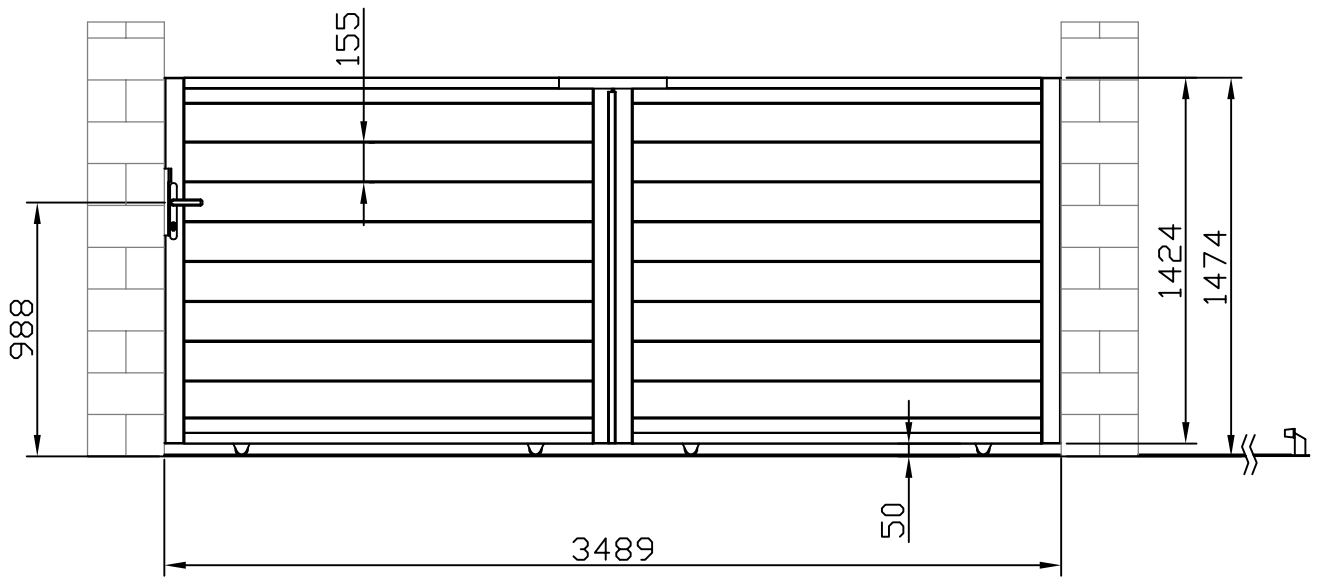
NL

PL

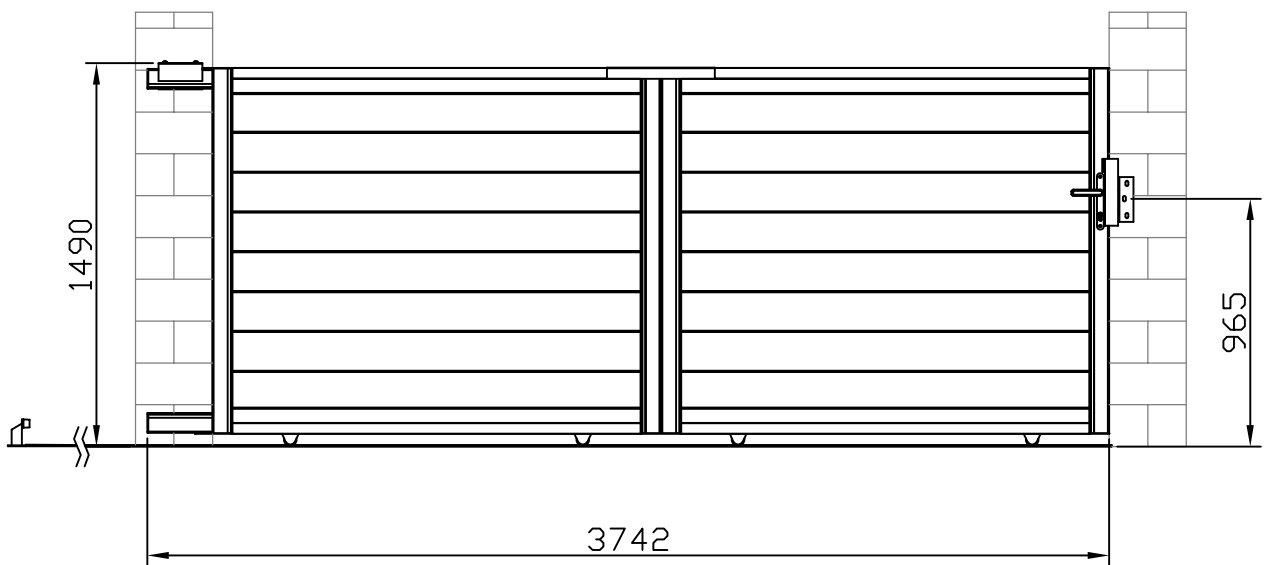
PT

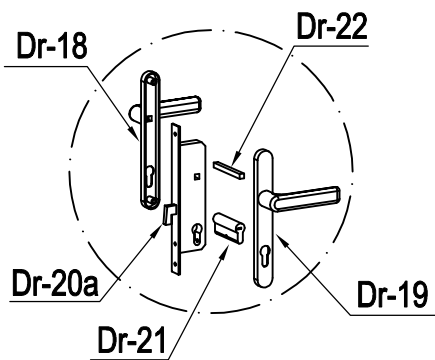
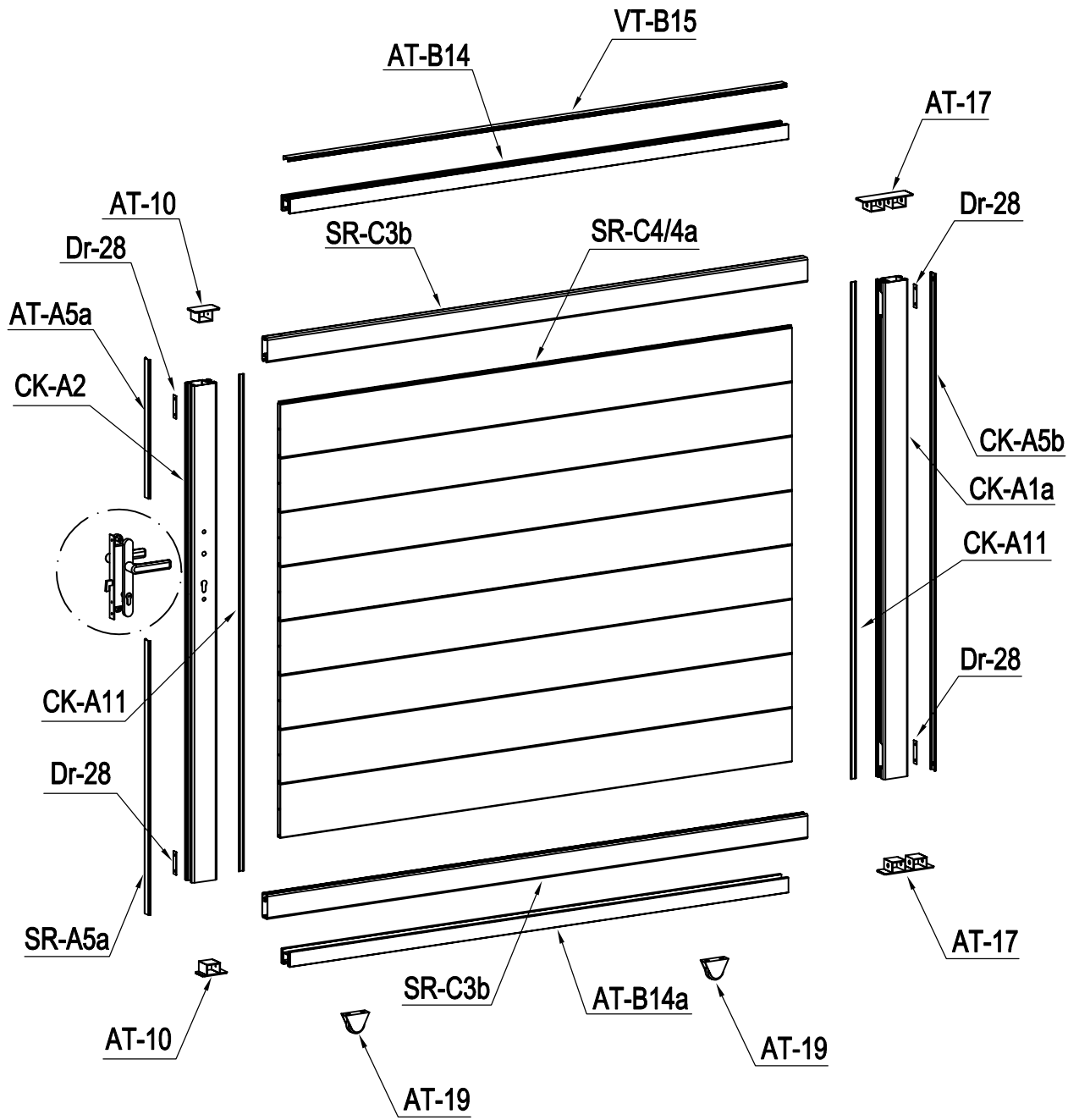


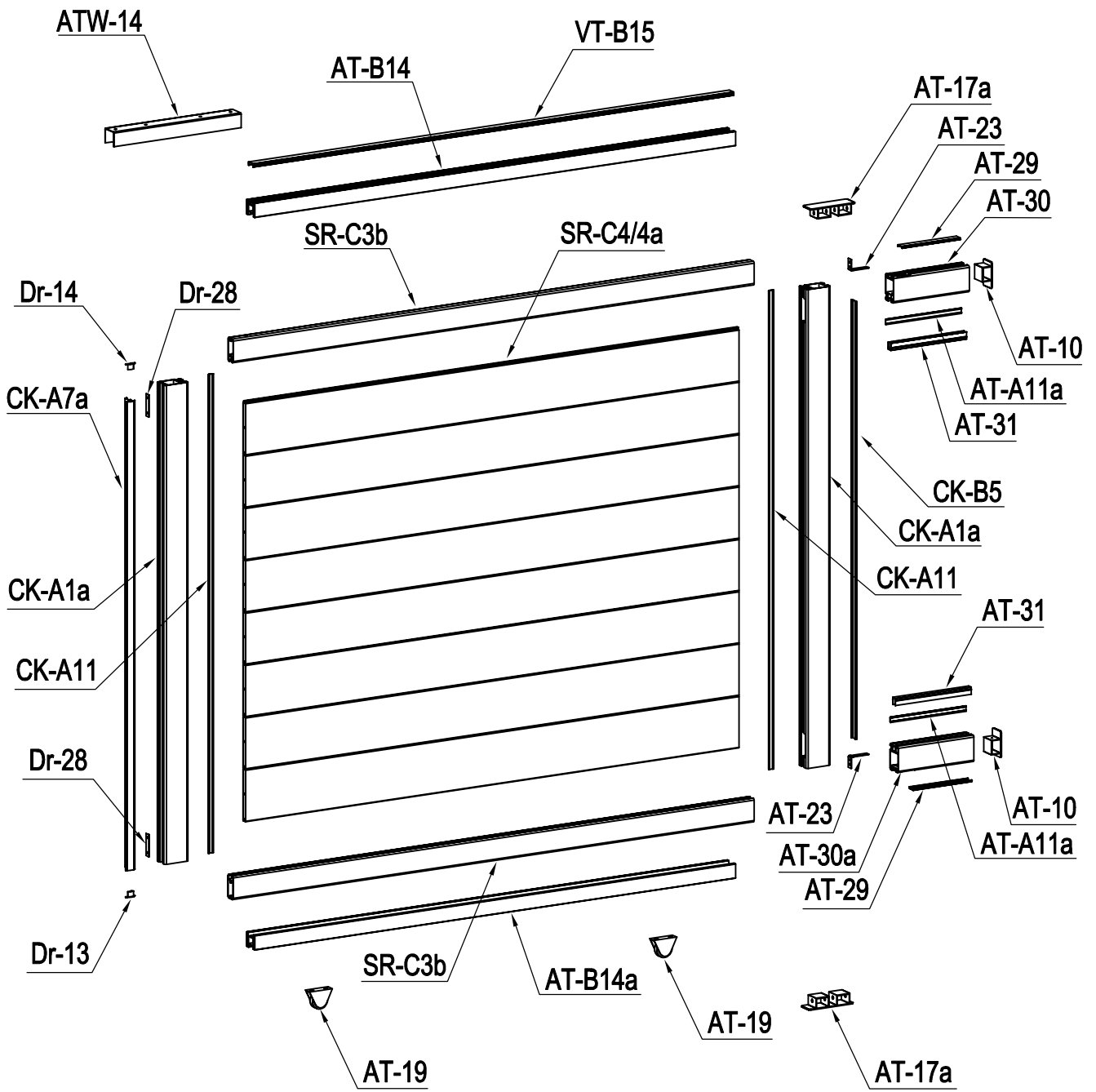
Ext.

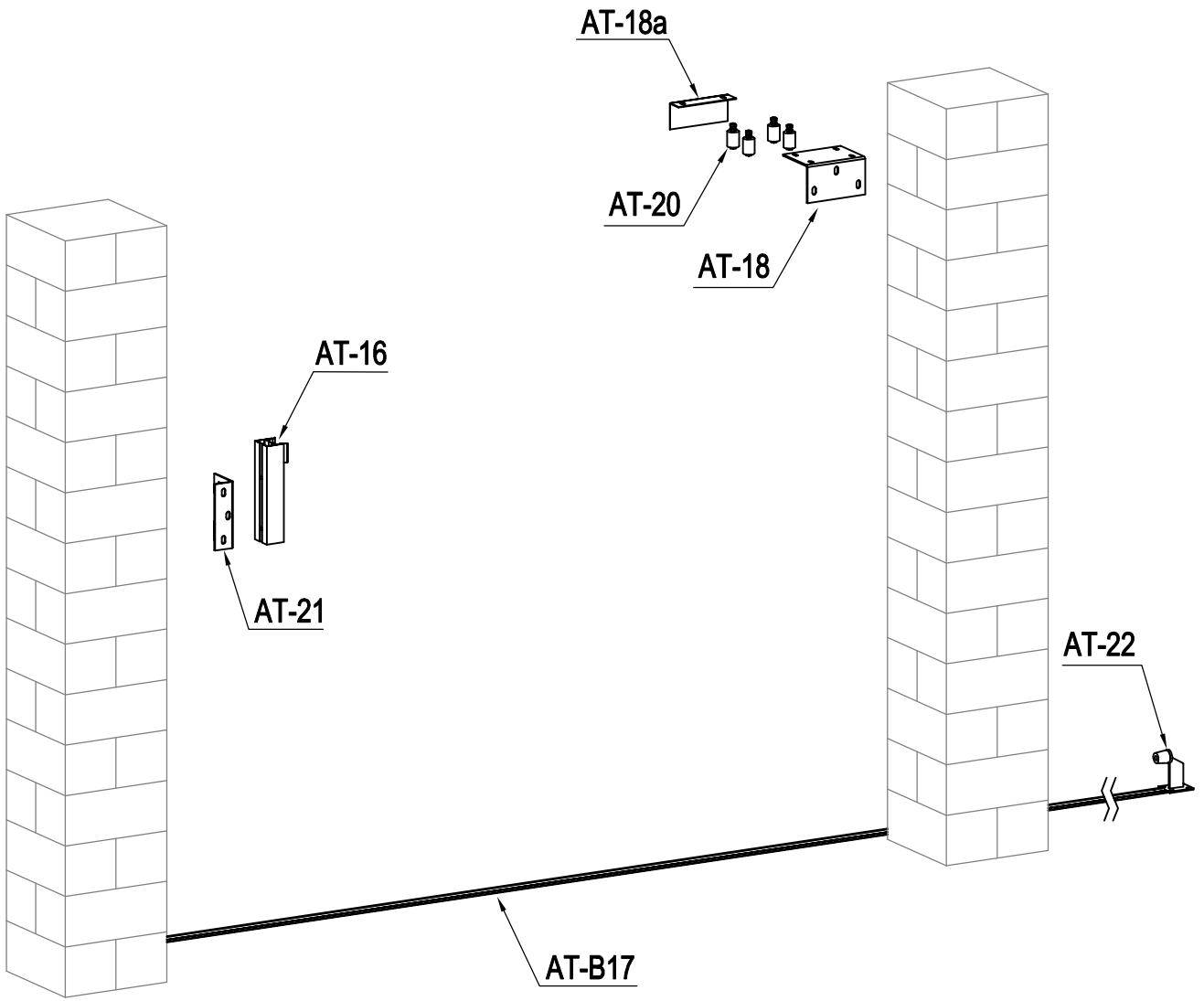


Int.

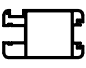




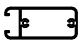

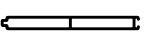

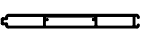

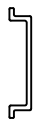















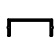













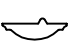




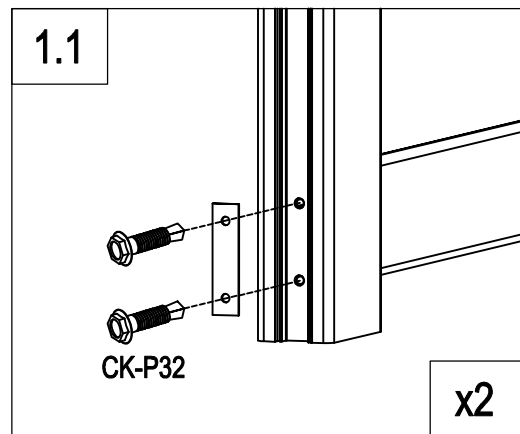
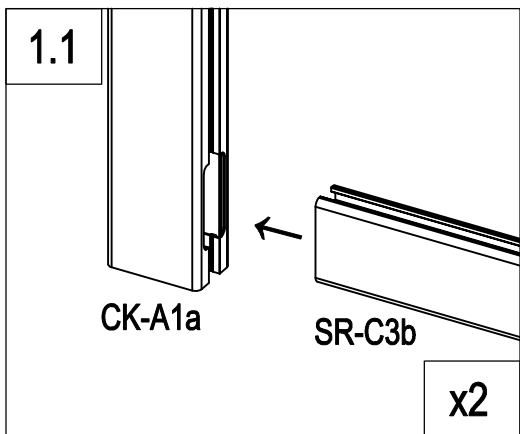
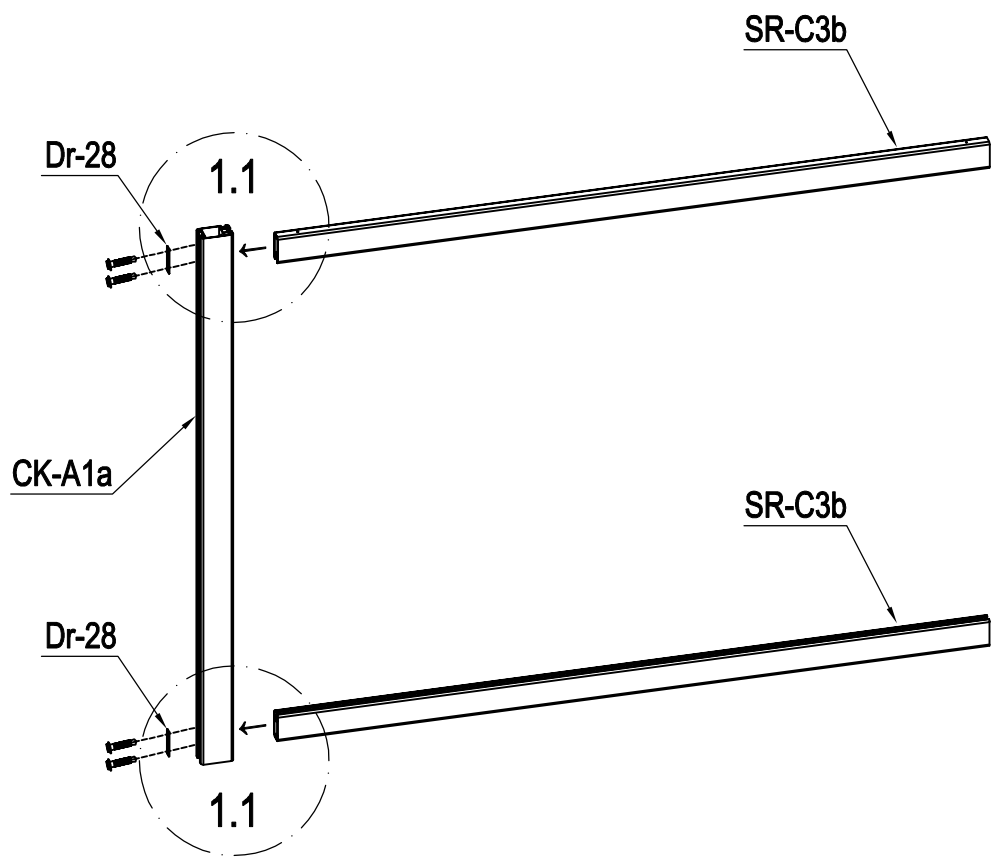


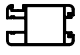
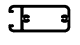




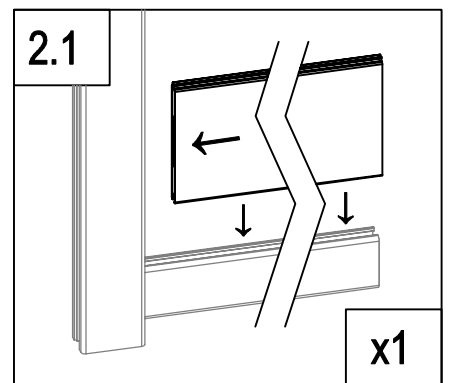
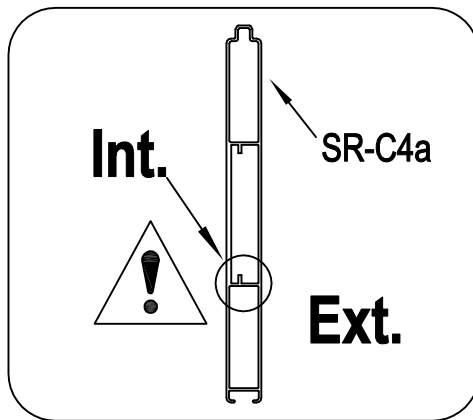
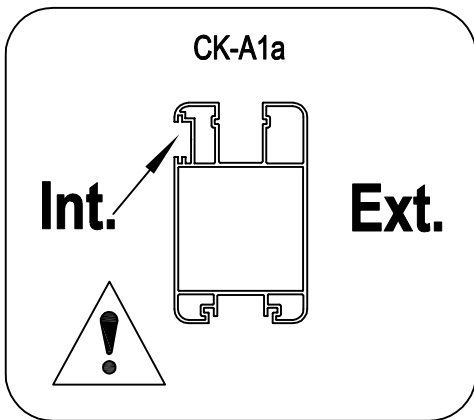
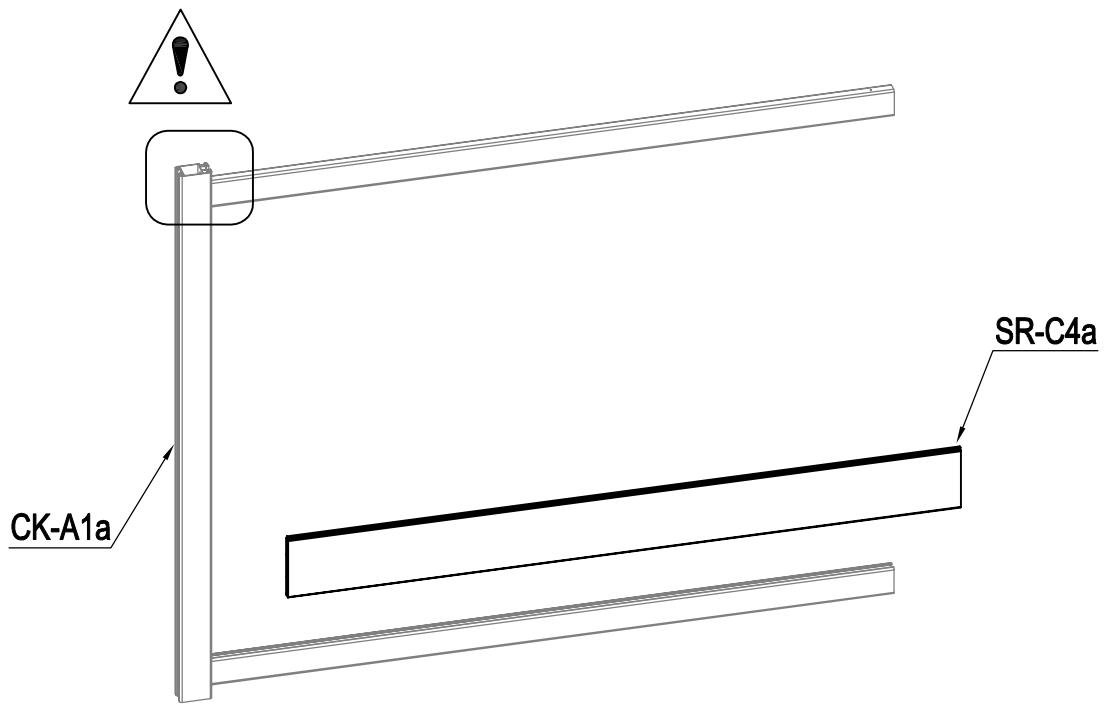


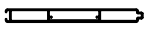
PART LIST

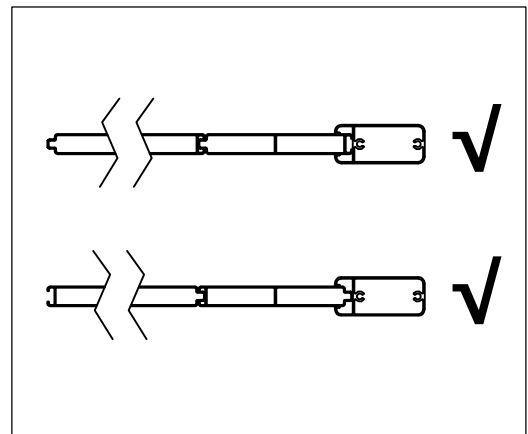
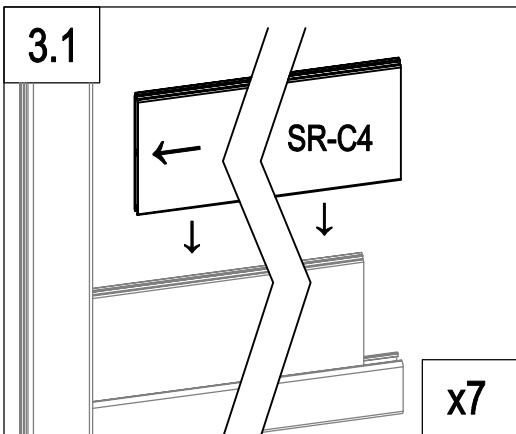
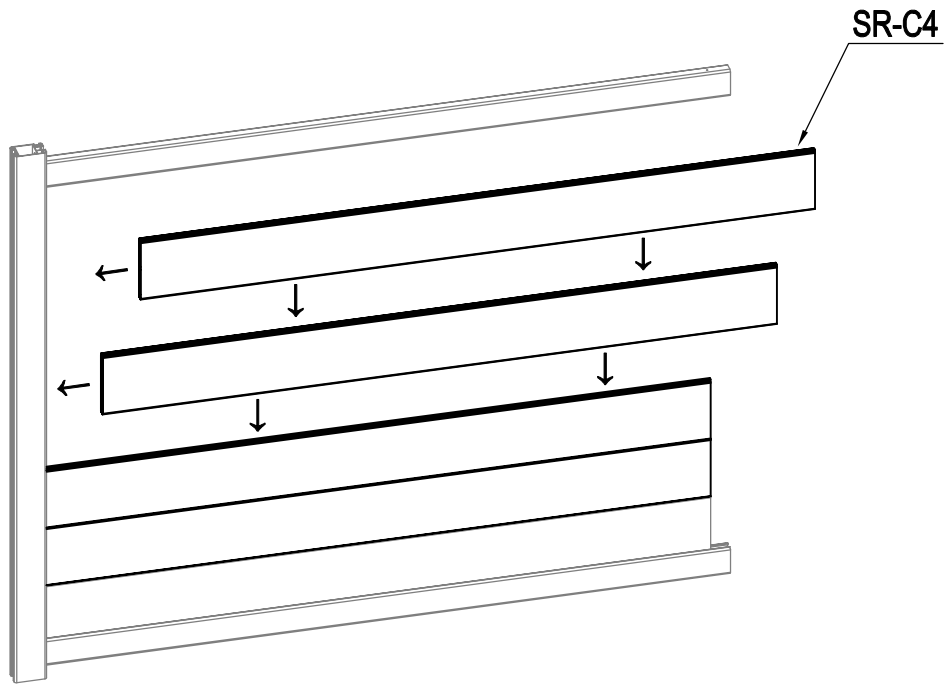
IMAGE	NO.	L.(mm)	QTY	IMAGE	NO.	L.(mm)	QTY
	CK-A1a	1418	3		AT-18a		1
	CK-A2	1418	1		AT-19		4
	AT-30	250	1		AT-20		4
	AT-30a	250	1		AT-21		1
	SR-C3b	1721	4		AT-22		1
	SR-C4	1630	14		AT-23		2
	SR-C4a	1630	2		Dr-18		1
	CK-B5	1293	1		Dr-19		1
	AT-A5a	395.5	1		Dr-20a		1
	SR-A5a	782	1		Dr-21		1
	CK-A5b	1418	1		Dr-22		1
	AT-29	193	2		Dr-25		1
	CK-A11	1418	4		Dr-25a		2
	AT-A11a	250	2		Dr-27		2
	AT-31	250	2		CK-P30		4
	CK-A7a	1365	1		CK-P31		10
	AT-B14	1588	2		CK-P32		32
	AT-B14a	1588	2		CK-P33		4
	VT-B15	1587	2		CK-P34		68
	AT-16	260	1		CK-P35		6
	AT-B17	1412	5		CK-P36		2
	AT-17		2		CK-P37		8
	AT-17a		2		CK-P38		50
	AT-10		4		Dr-28		6
	Dr-13		1		AT-22J		7
	Dr-14		1		ATW-14		1
	AT-18		1				

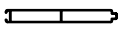


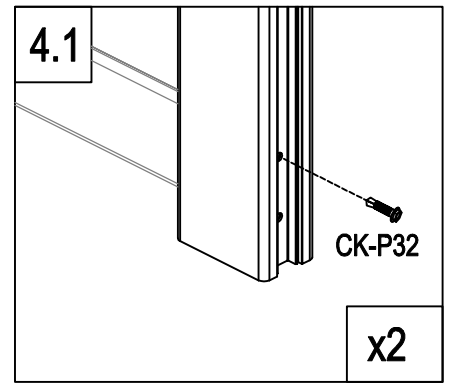
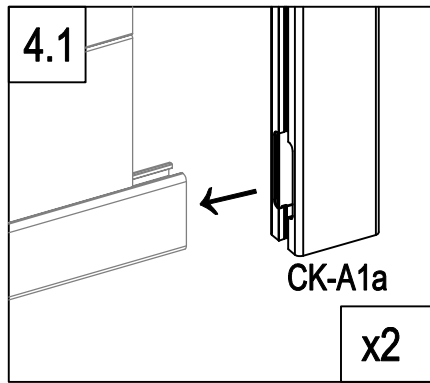
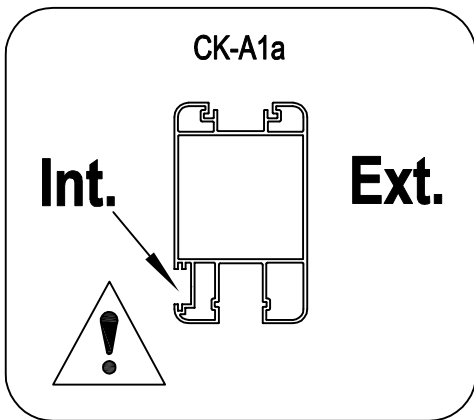
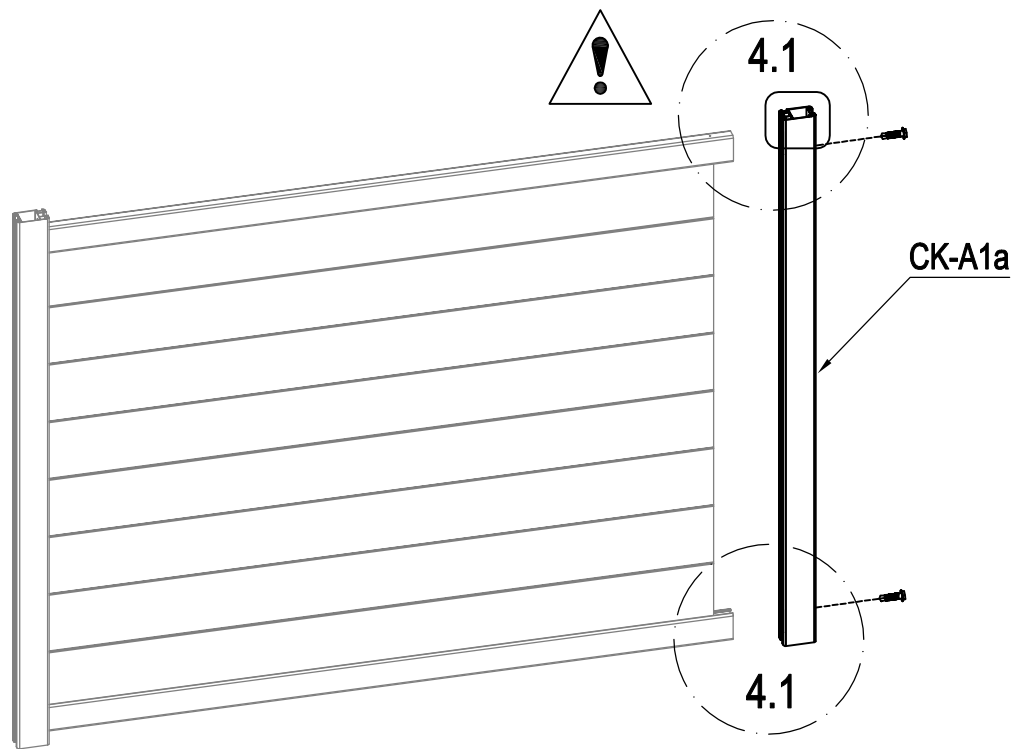
	CK-A1a	1
	SR-C3b	2
	Dr-28	2
	CK-P32	4

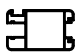



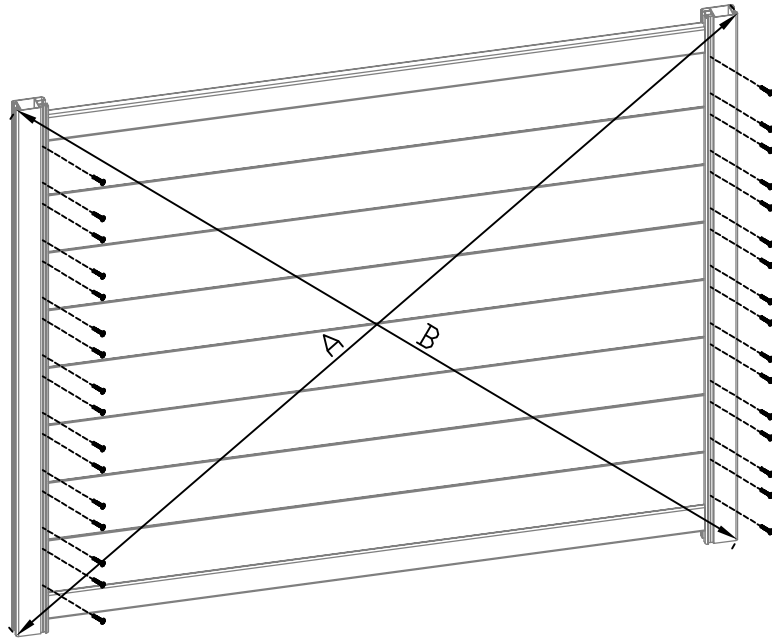
	SR-C4a	1
---	--------	---



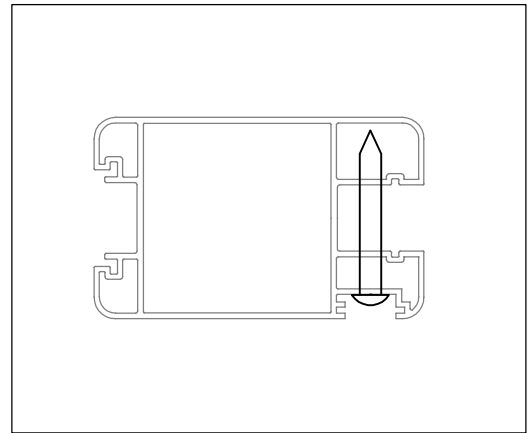
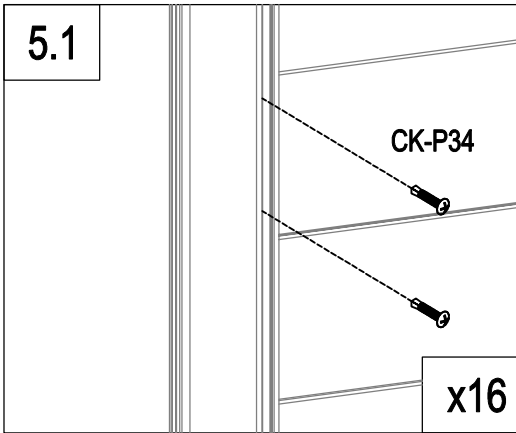
	SR-C4	7
---	-------	---




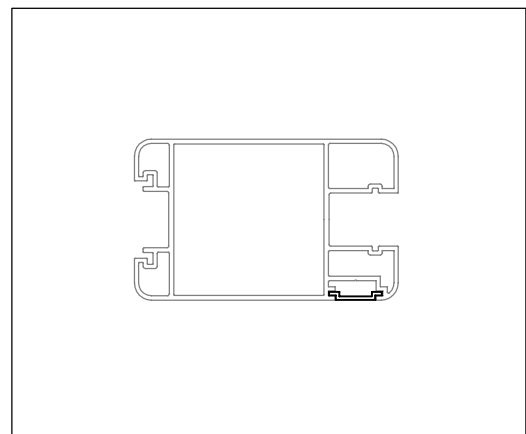
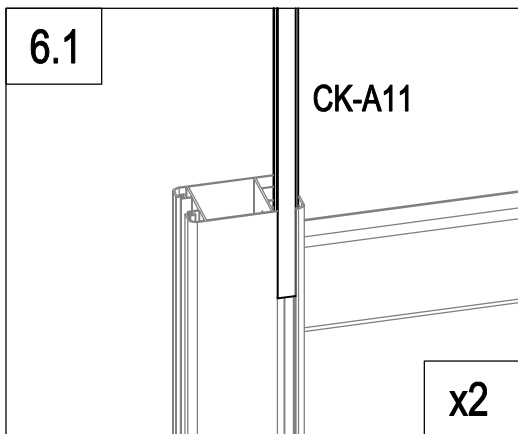
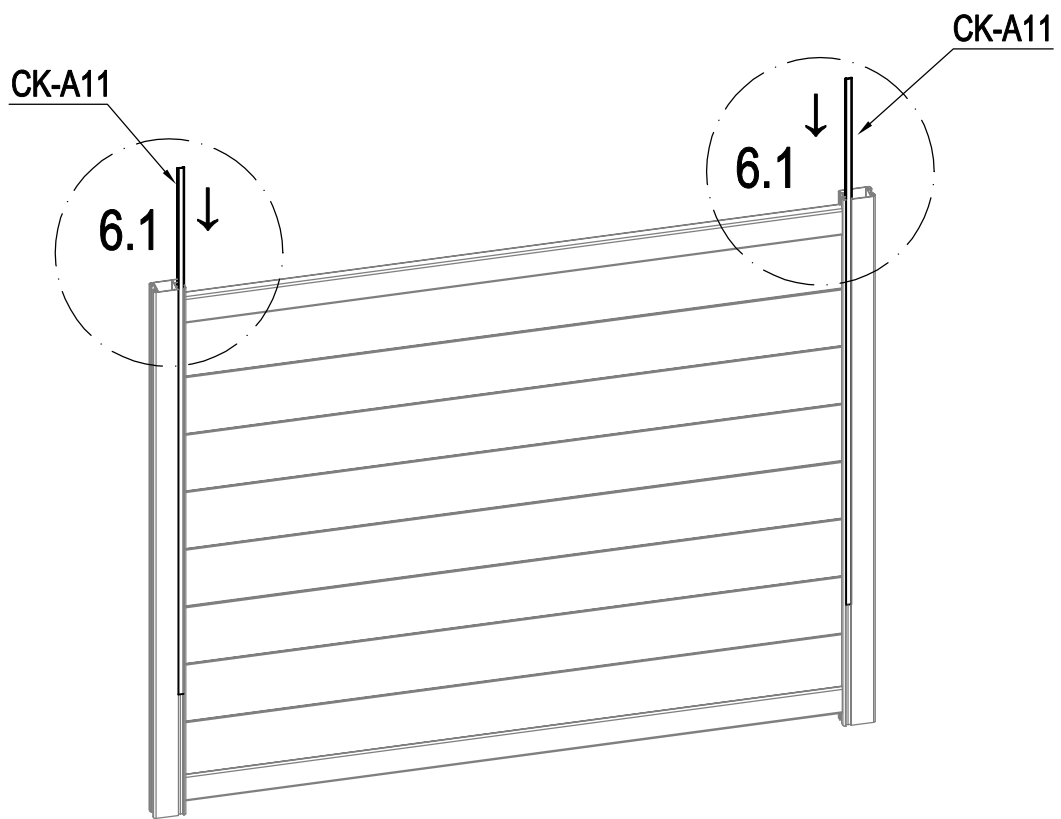
	CK-A1a	1
	CK-P32	2

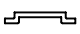


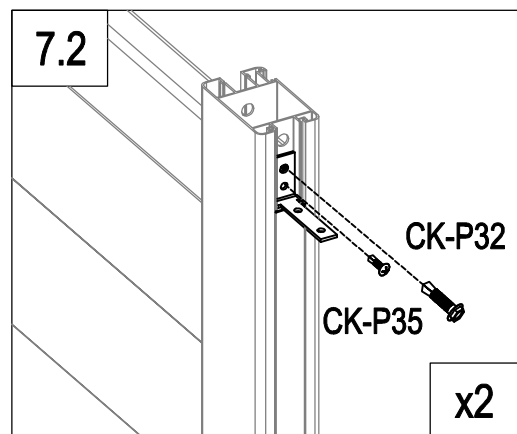
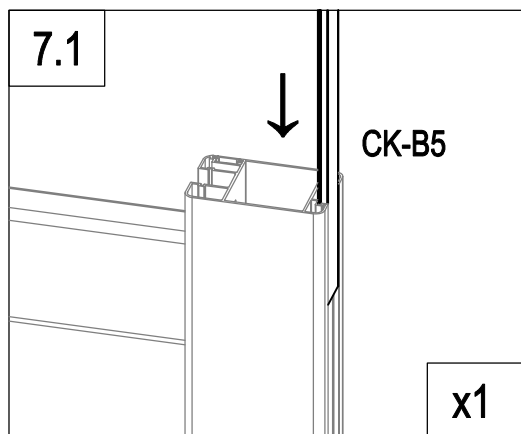
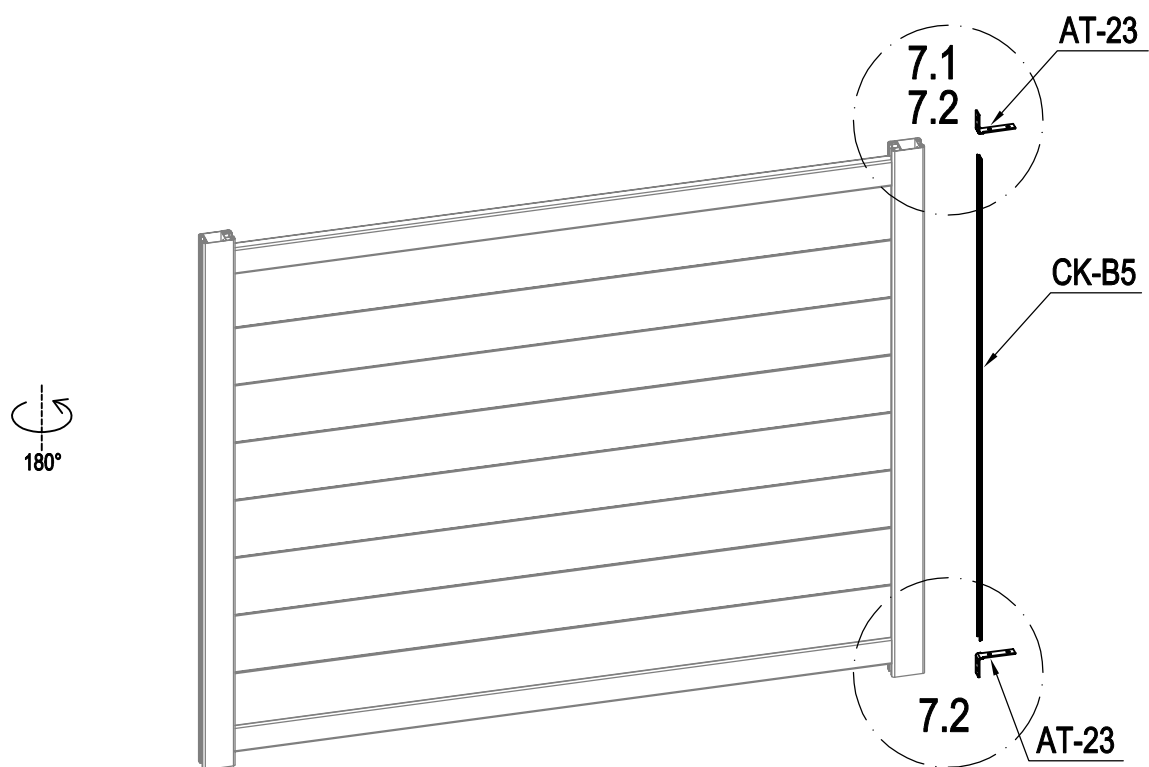
A=B



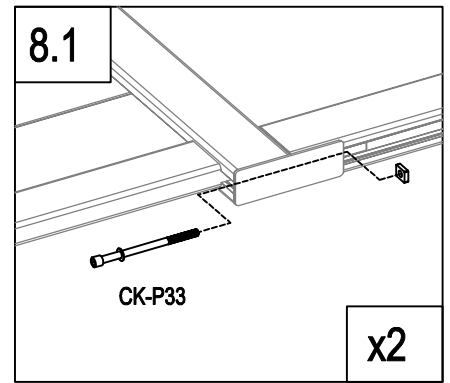
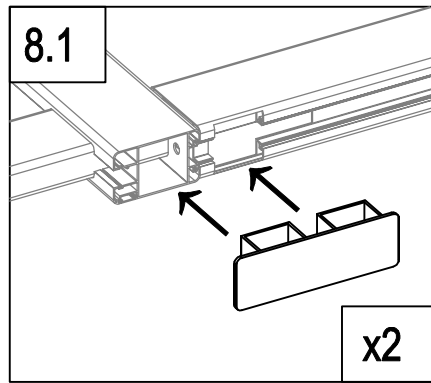
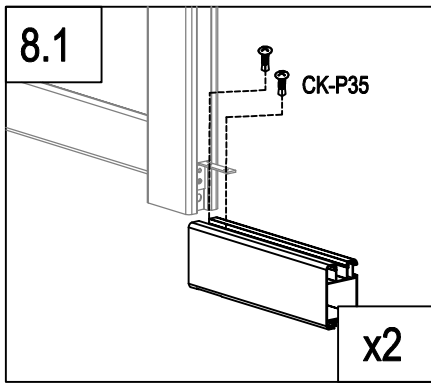
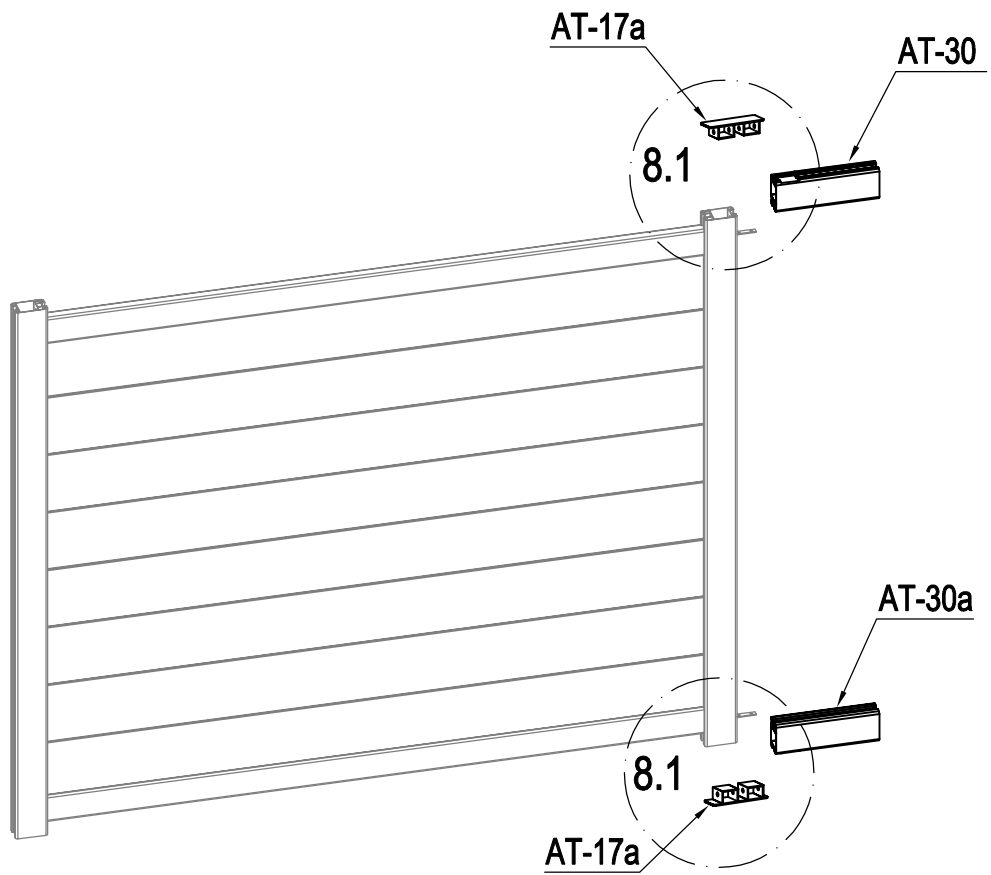
	CK-P34	32
---	--------	----



	CK-A11	2
---	--------	---

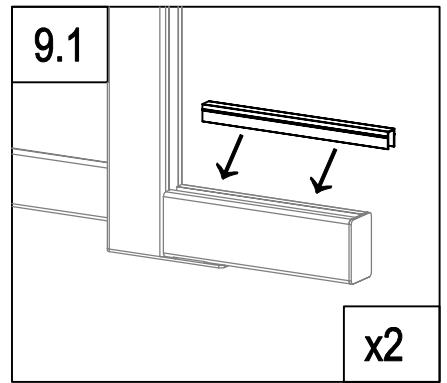
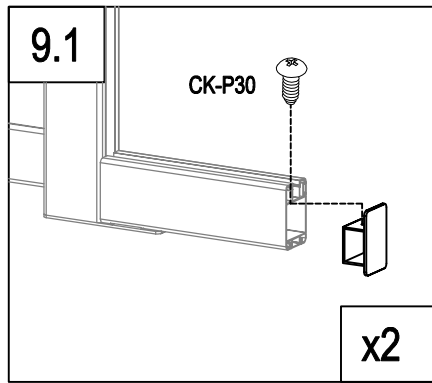
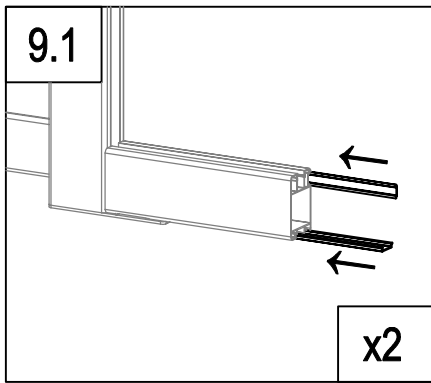
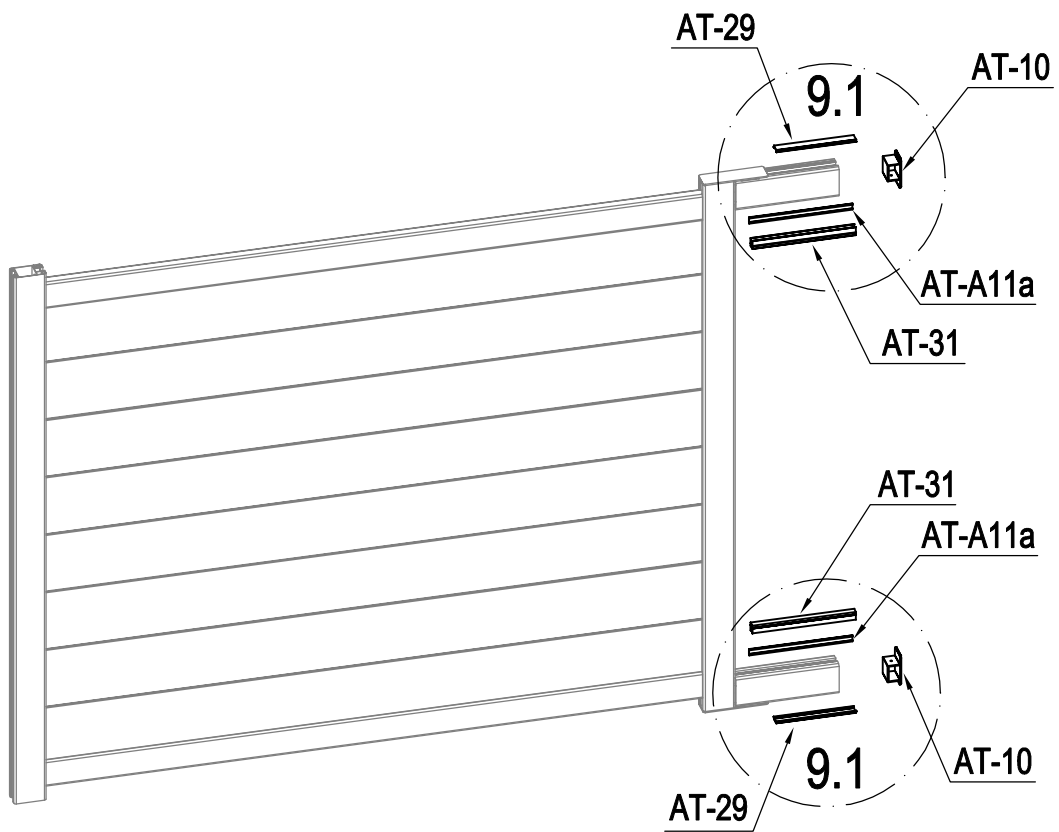


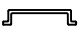
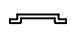

	CK-B5	1
	AT-23	2
	CK-P32	2
	CK-P35	2





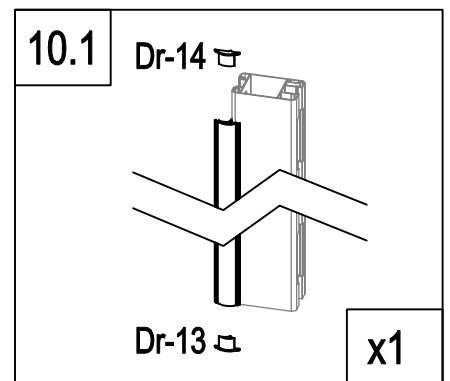
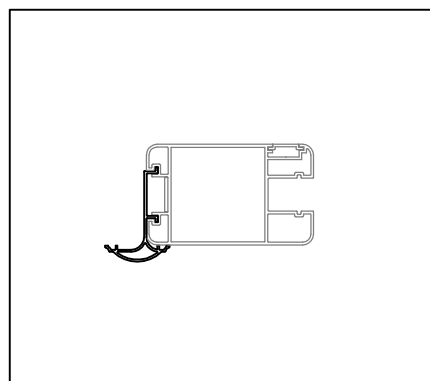
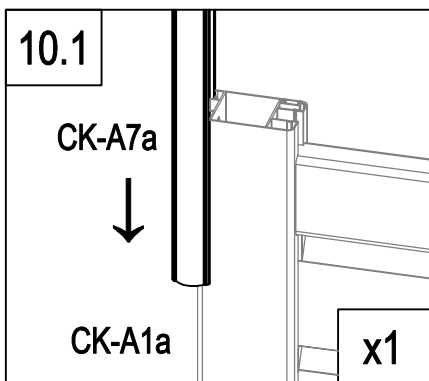
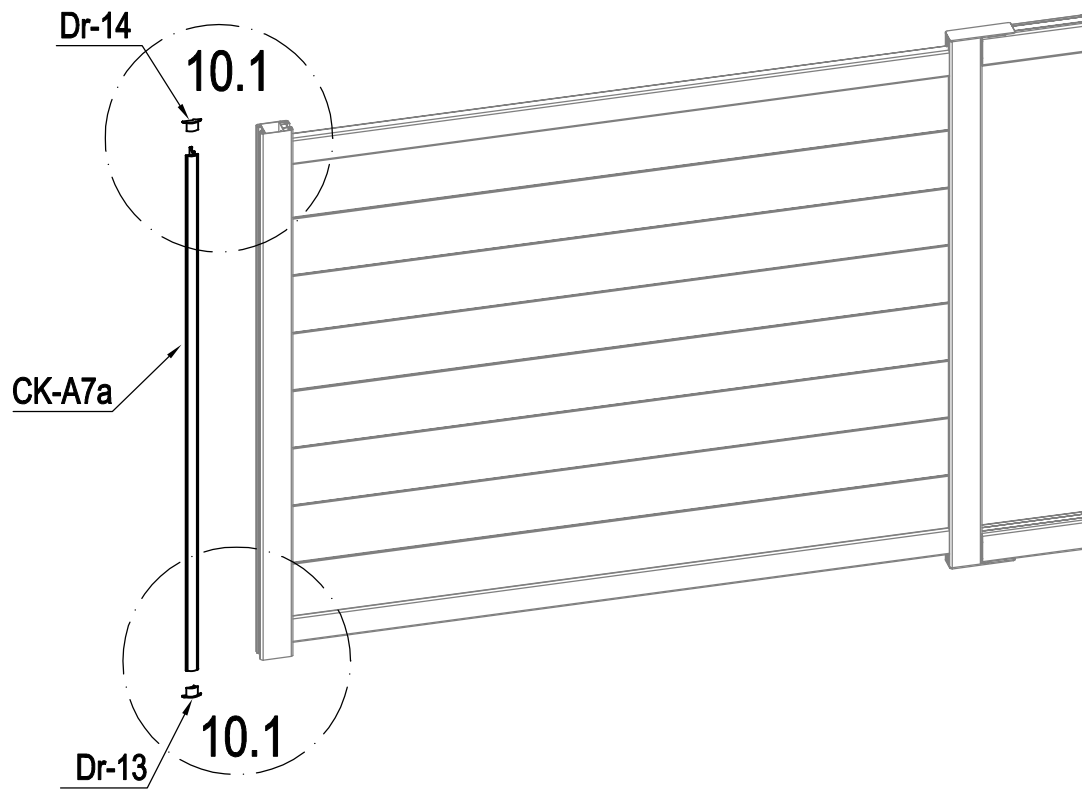
	AT-30	1
	AT-30a	1
	AT-17a	2

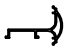


	CK-P33	2
	CK-P35	4

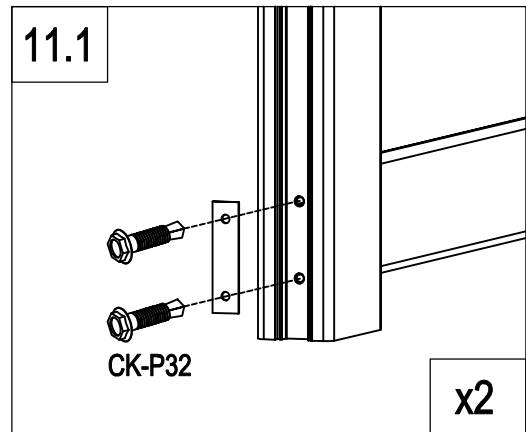
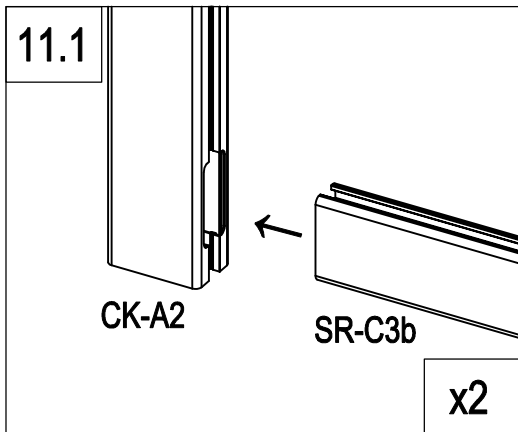
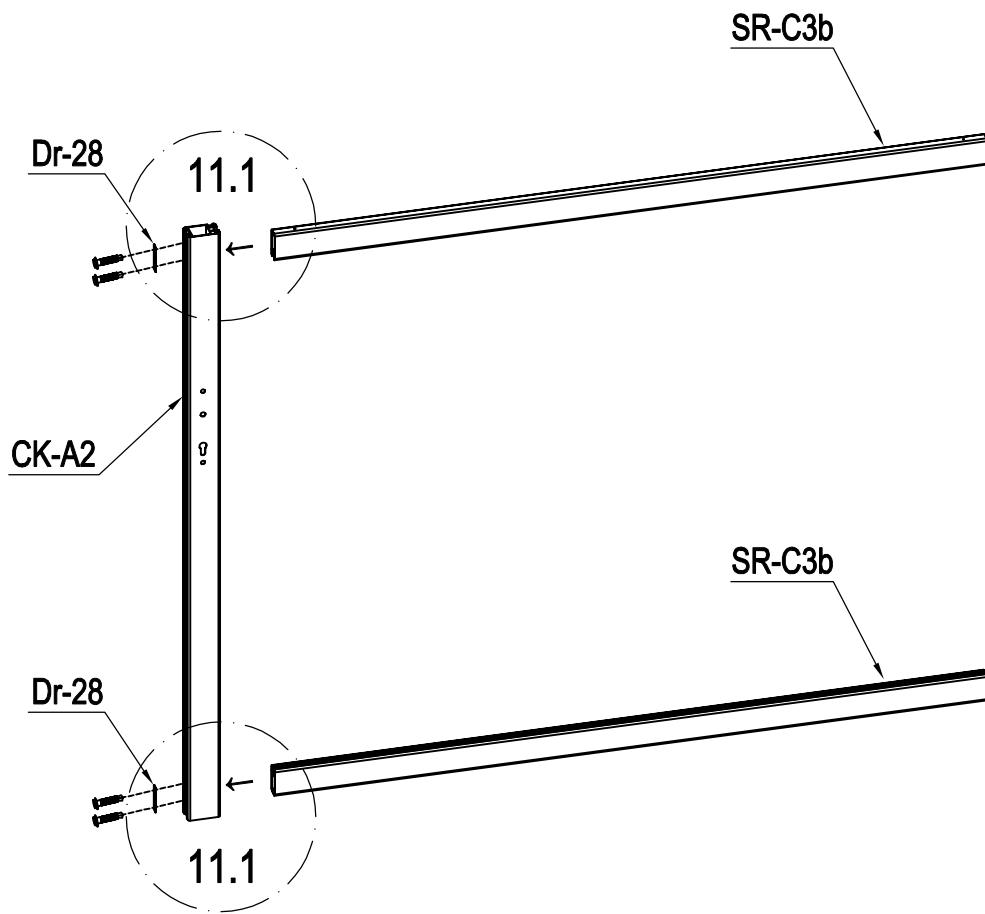


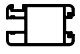
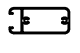


	AT-29	2
	AT-A11a	2
	AT-31	2

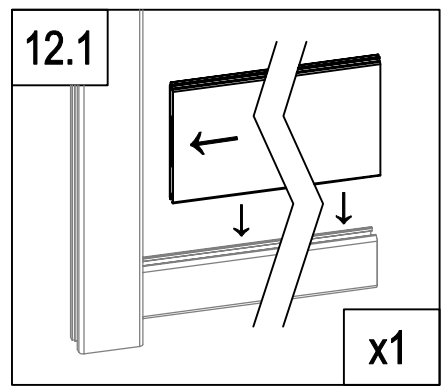
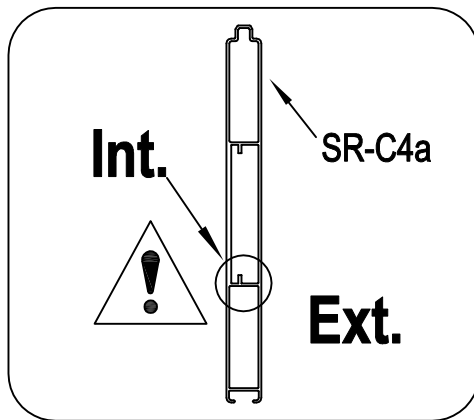
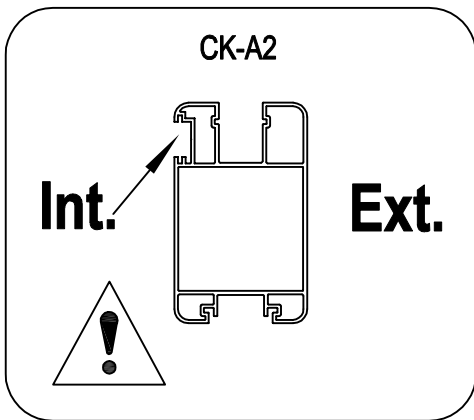
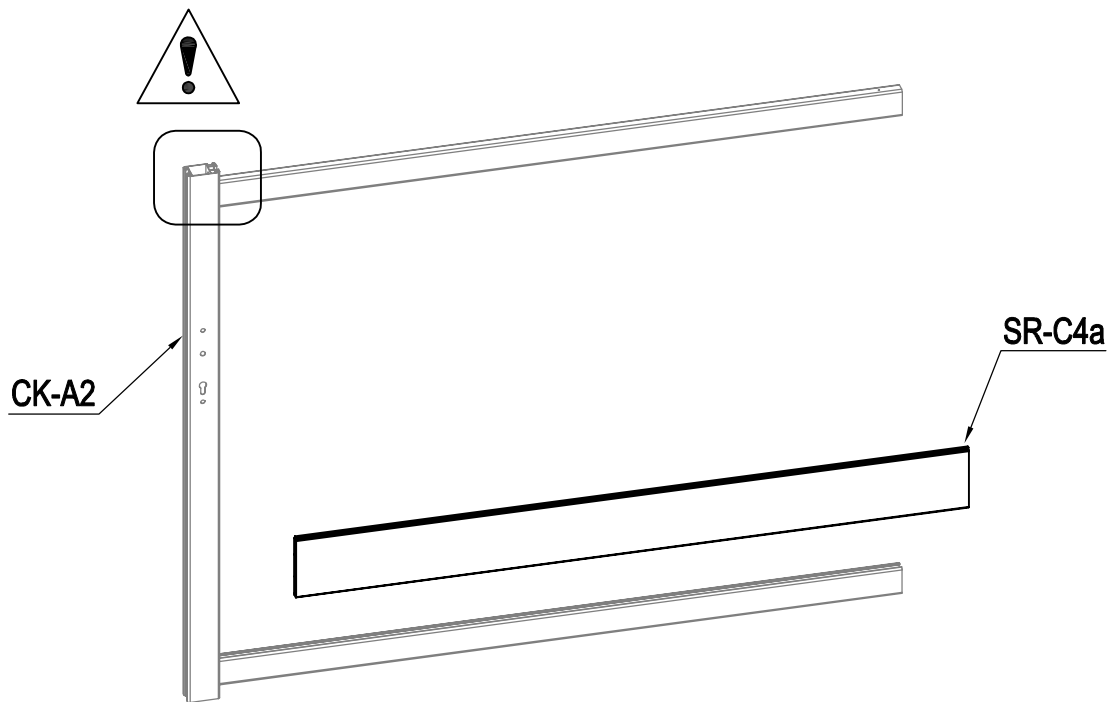
	AT-10	2
	CK-P30	2

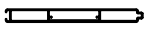


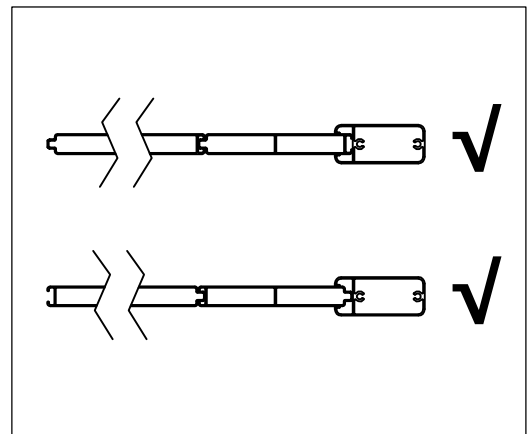
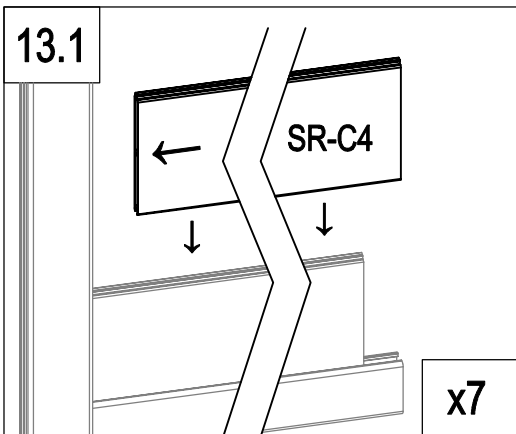
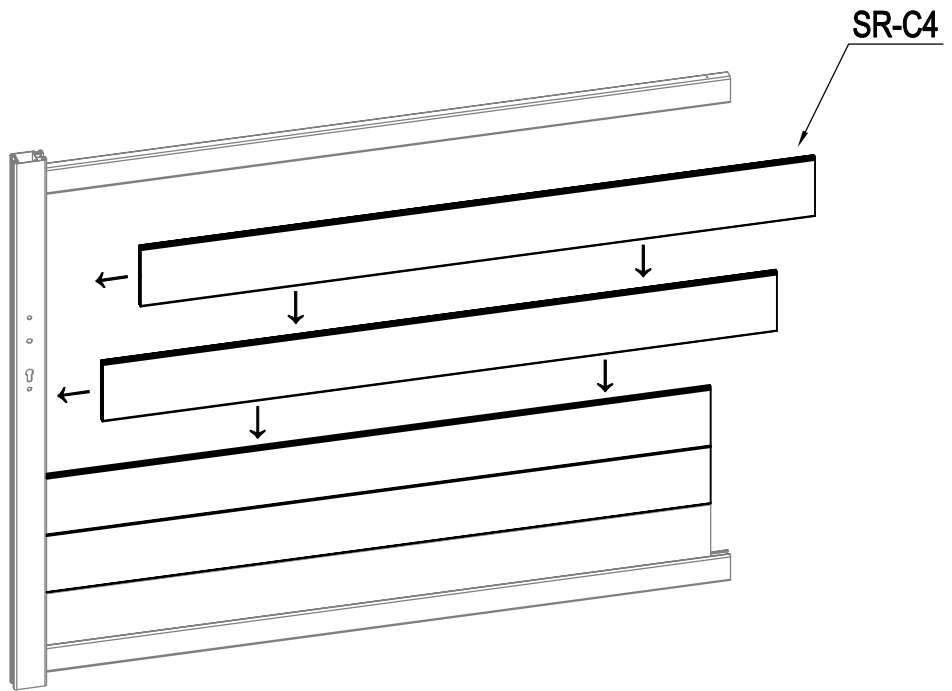
	CK-A7a	1
	Dr-13	1
	Dr-14	1

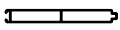


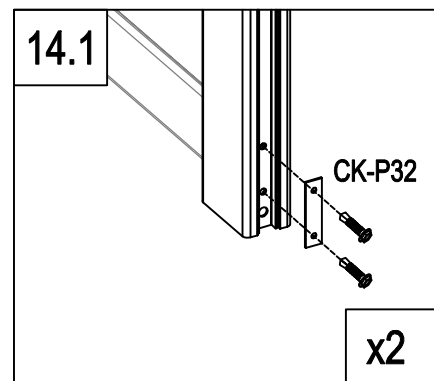
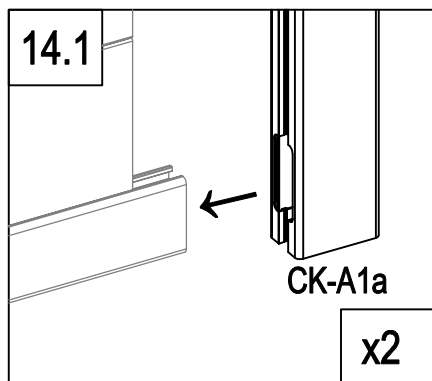
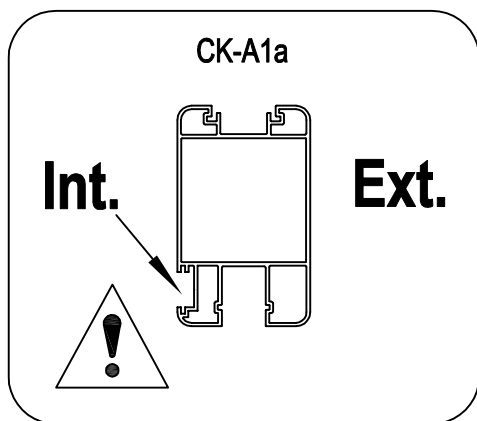
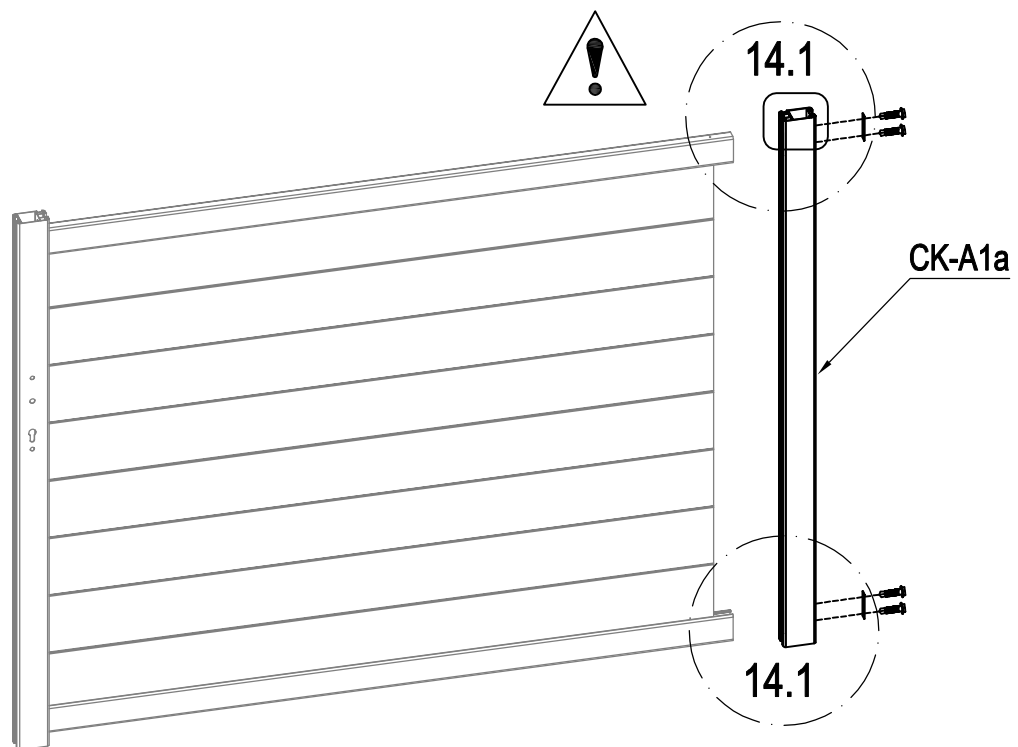
	CK-A2	1
	SR-C3b	2
	Dr-28	2
	CK-P32	4

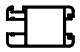




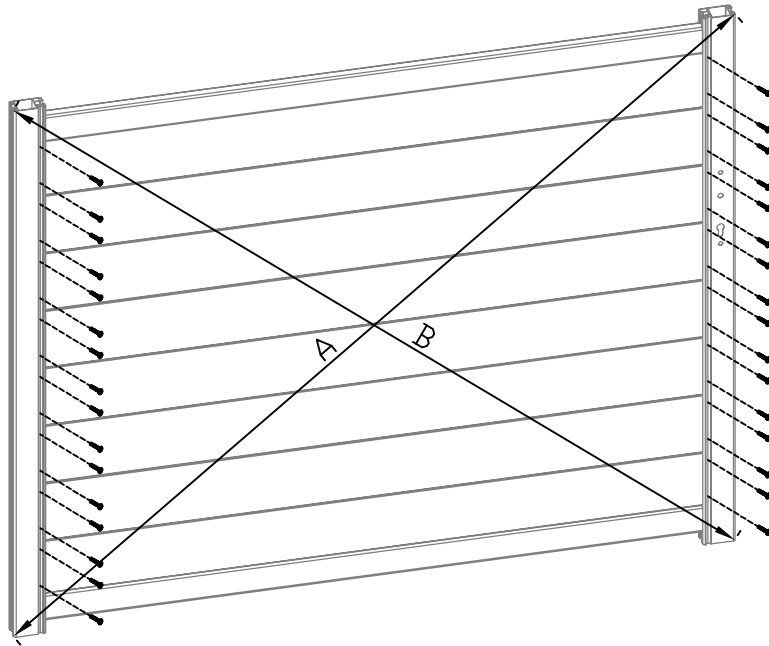
	SR-C4a	1
---	--------	---



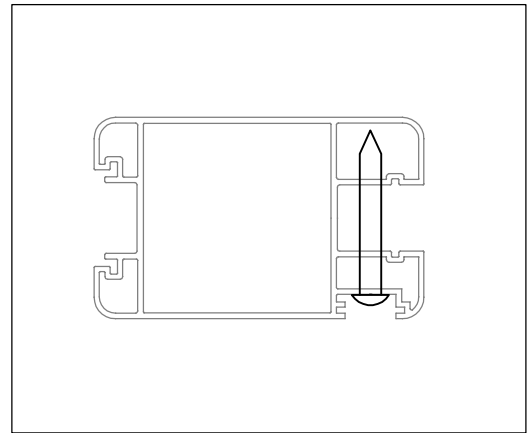
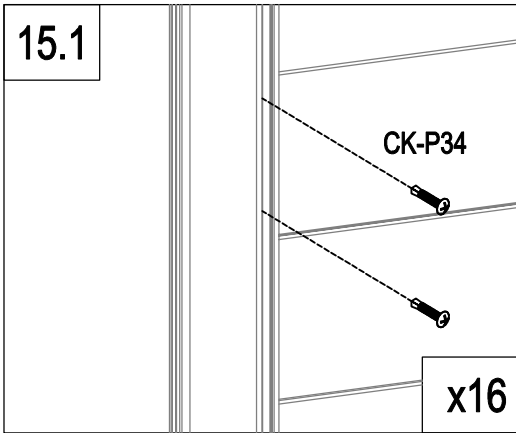
	SR-C4	7
---	-------	---




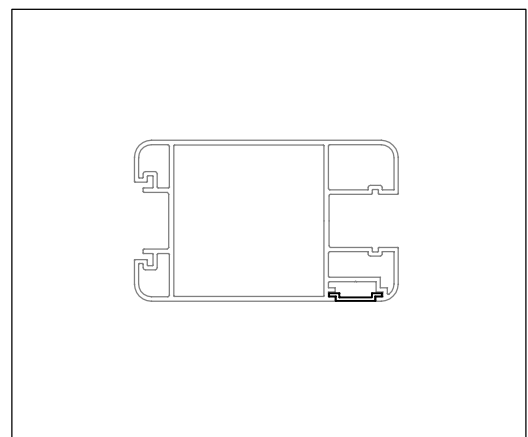
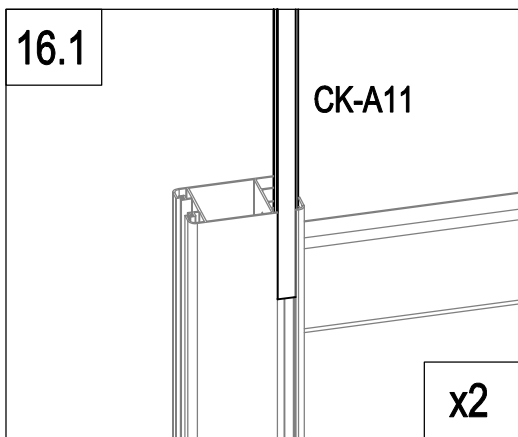
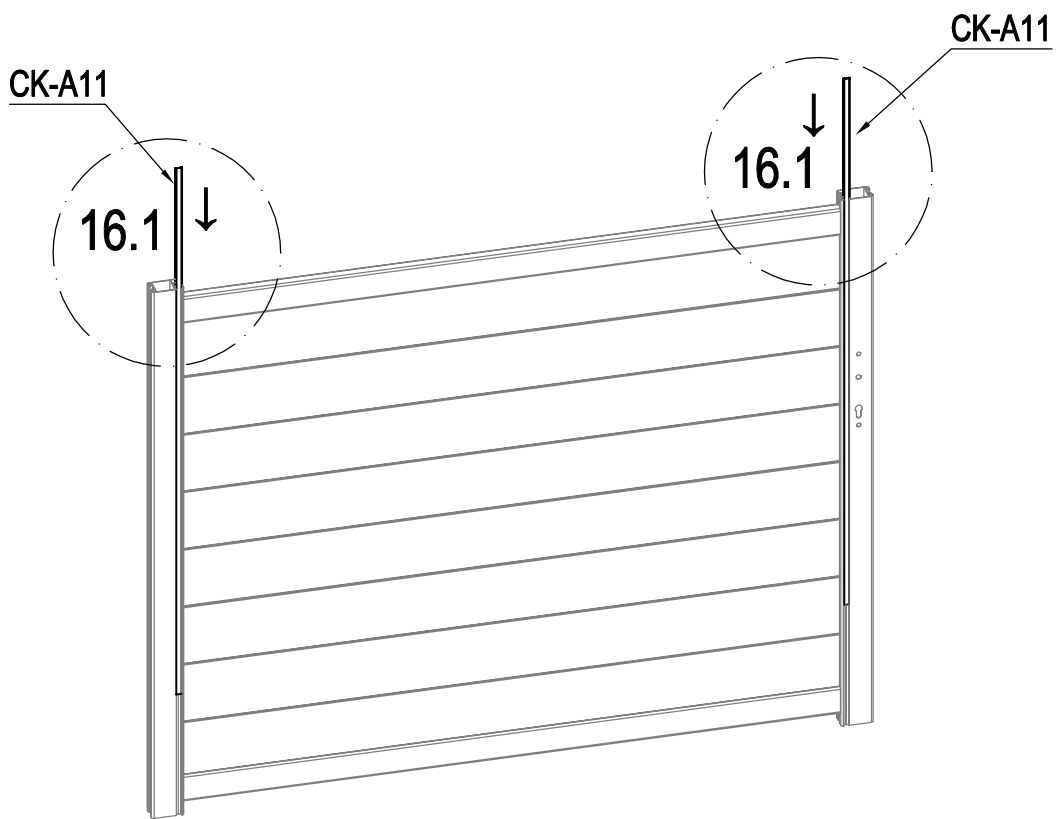
	CK-A1a	1
	Dr-28	2
	CK-P32	4

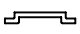


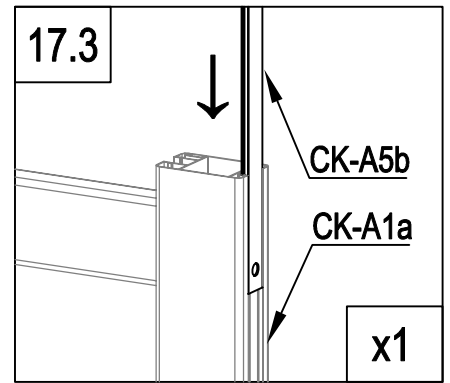
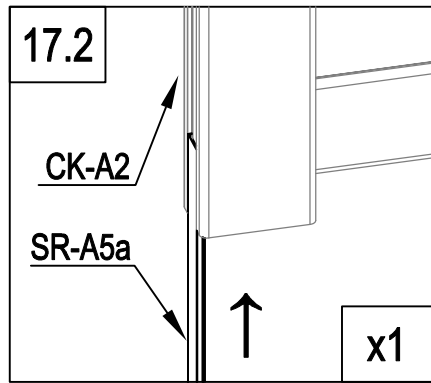
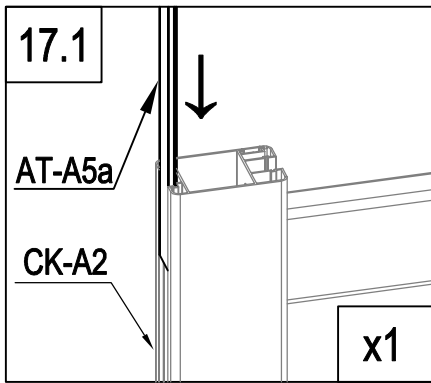
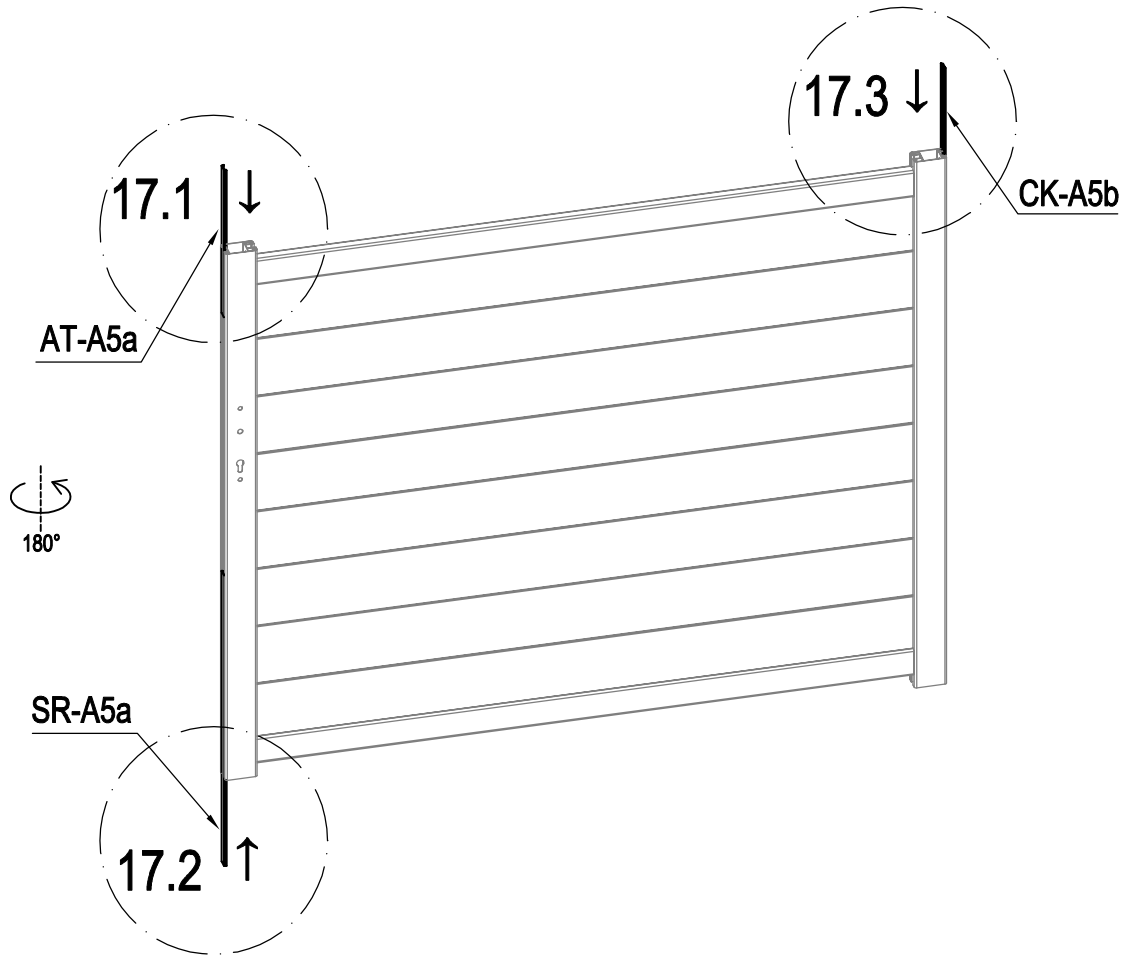
A=B



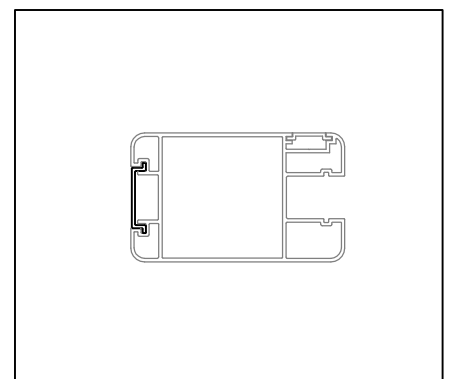
	CK-P34	32
---	--------	----

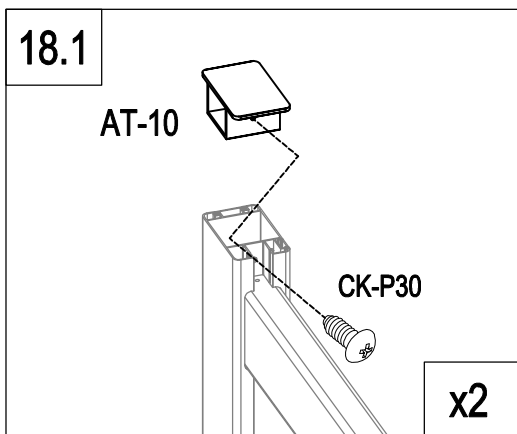
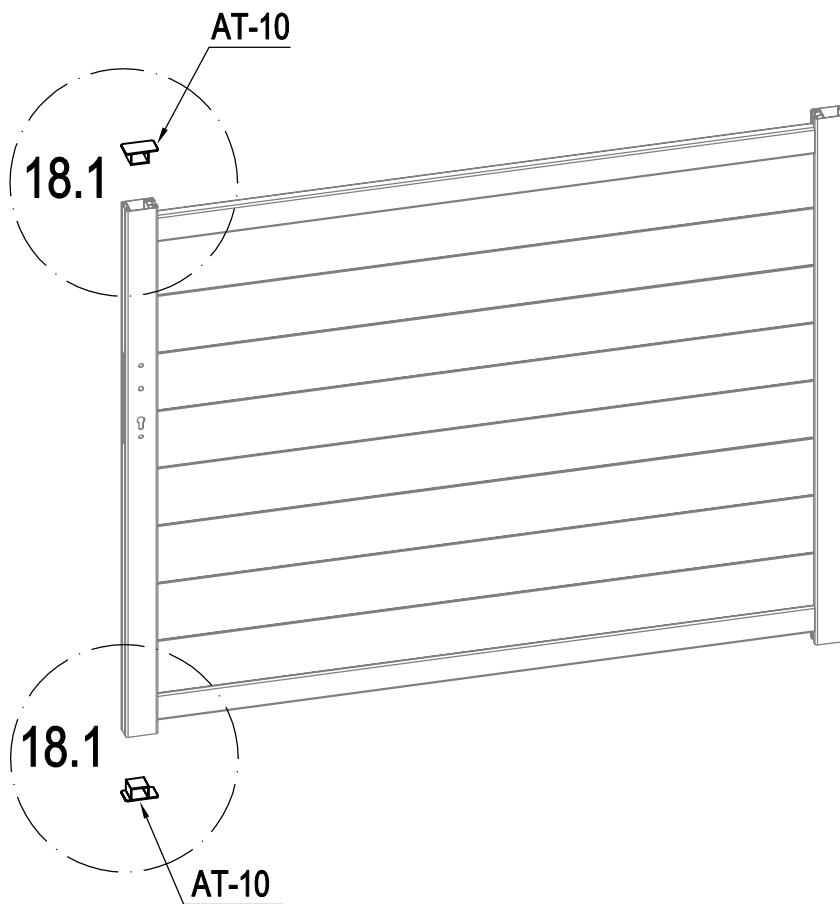




	CK-A11	2
---	--------	---

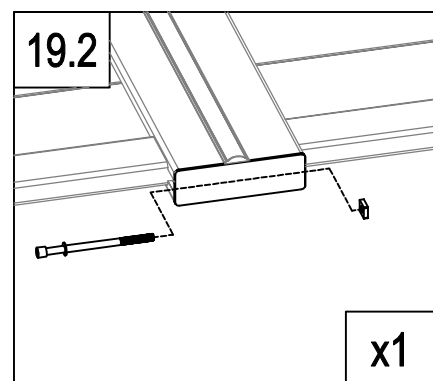
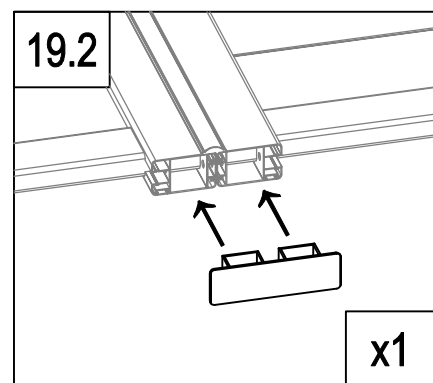
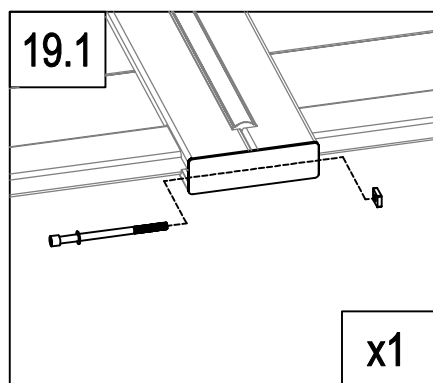
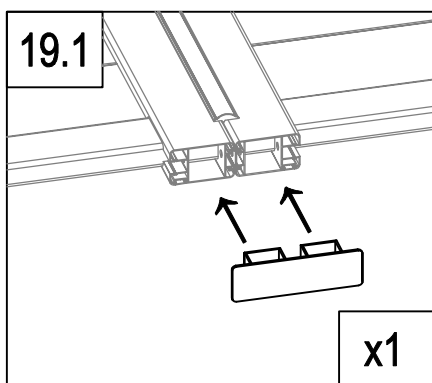
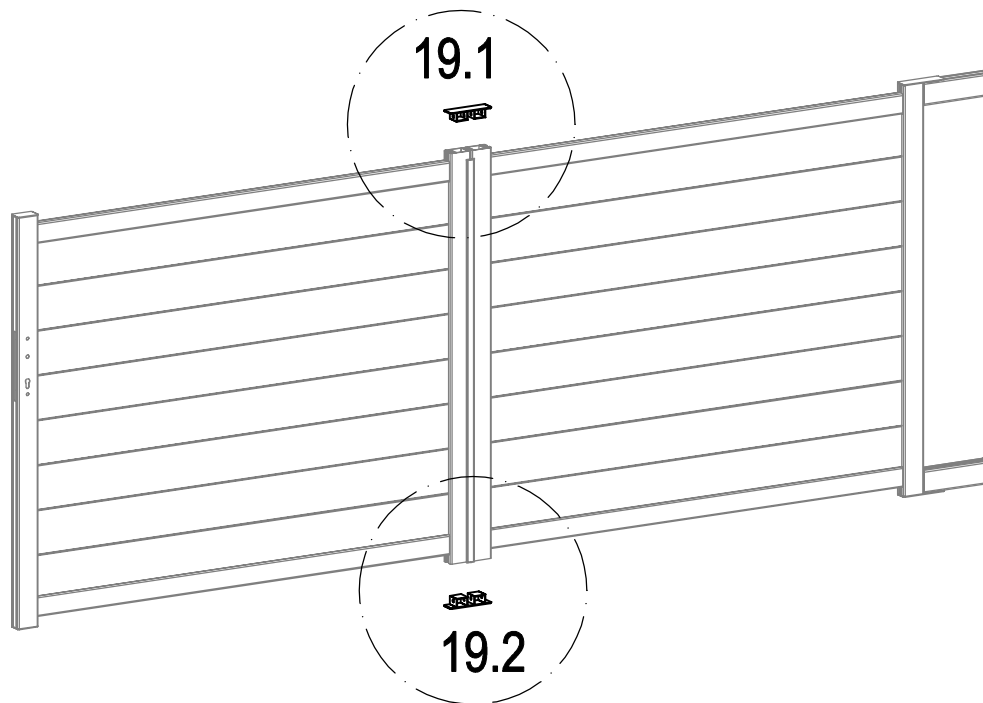




	CK-A5b	1
	AT-A5a	1
	SR-A5a	1

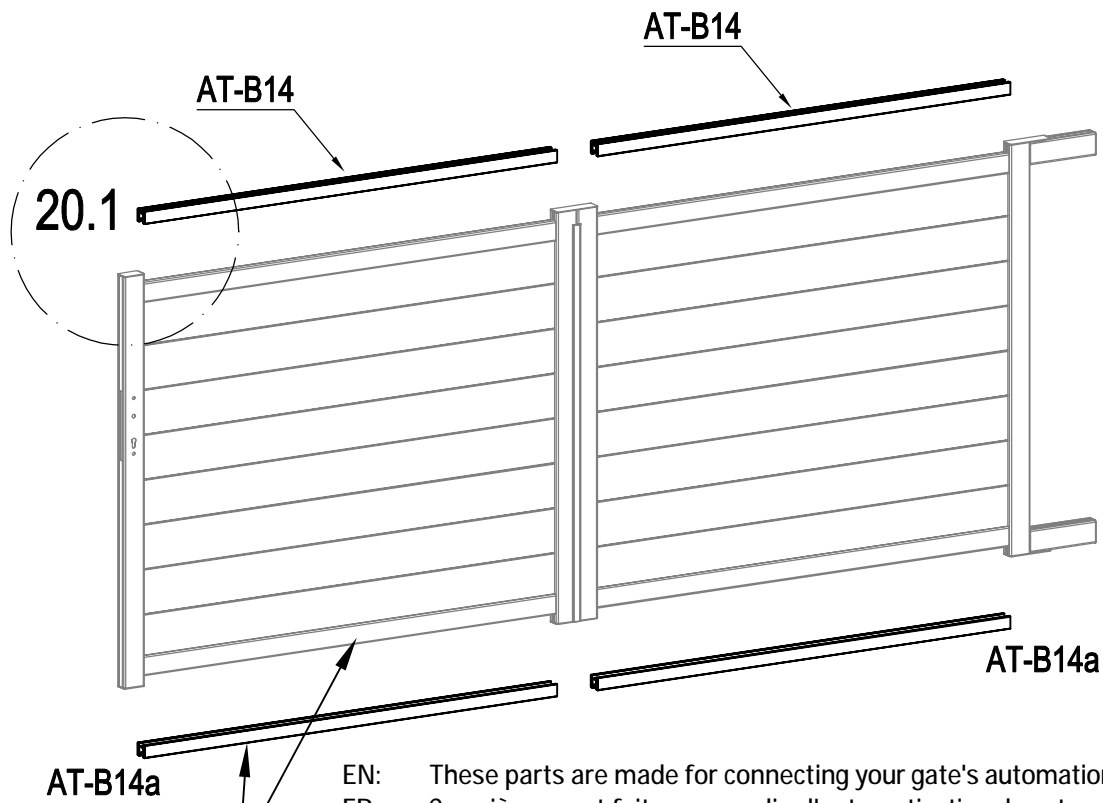




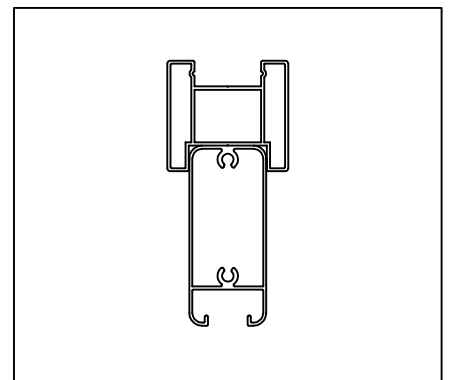
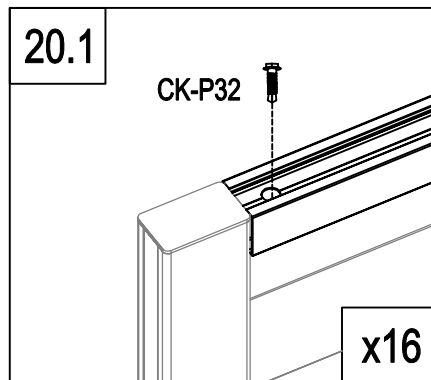
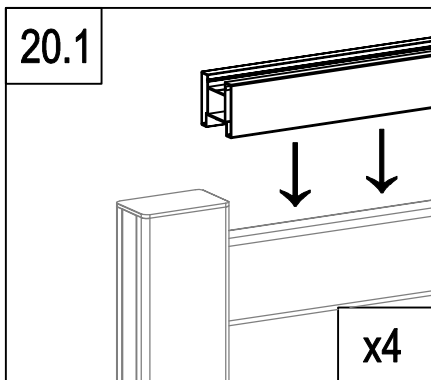
	AT-10	2
	CK-P30	2





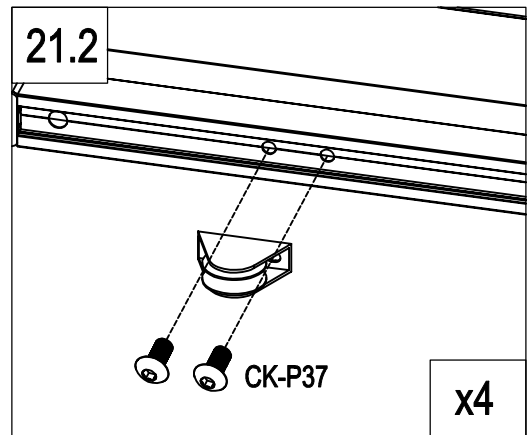
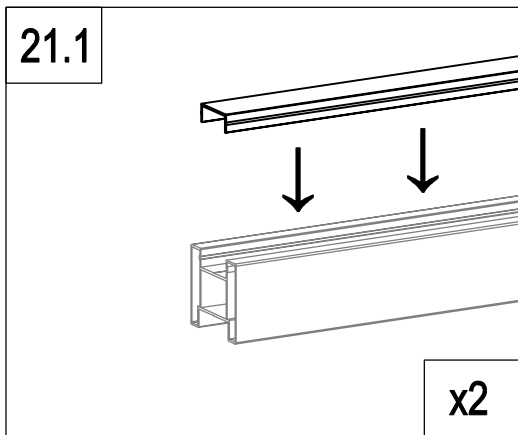
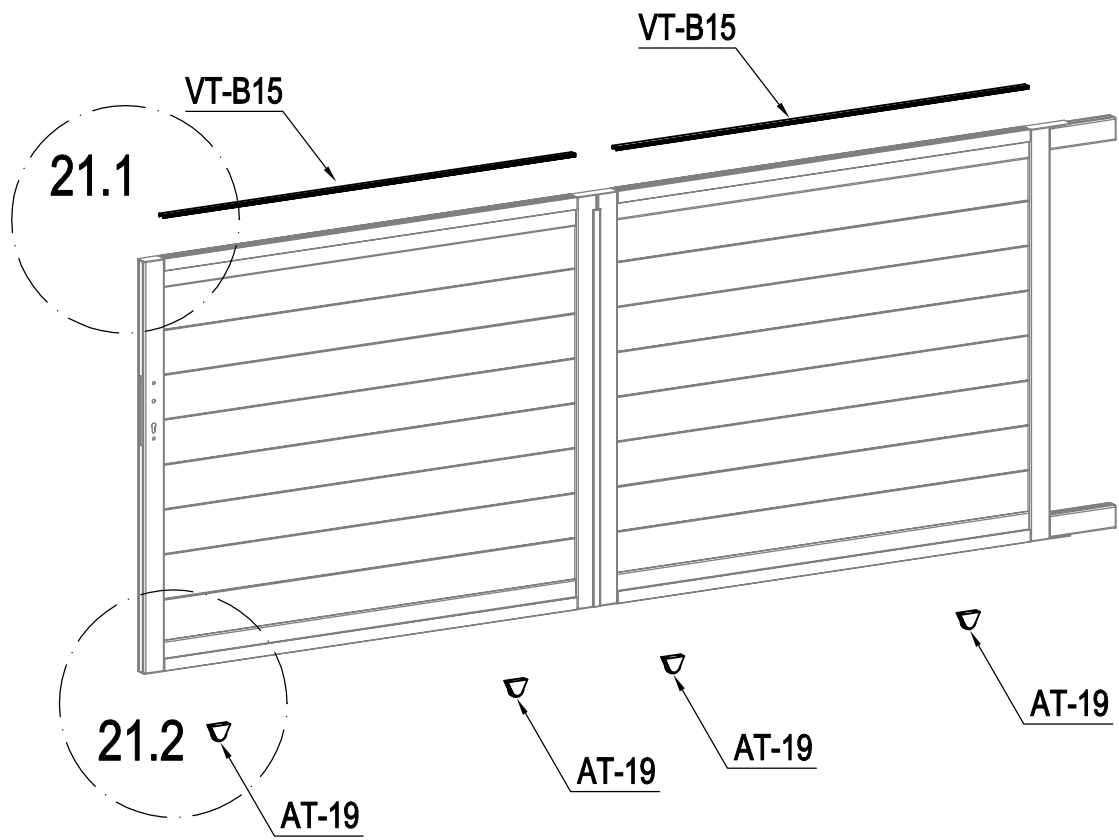
	AT-17	2
	CK-P33	2

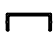




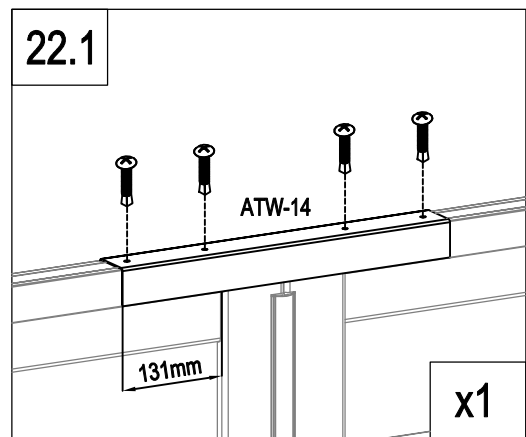
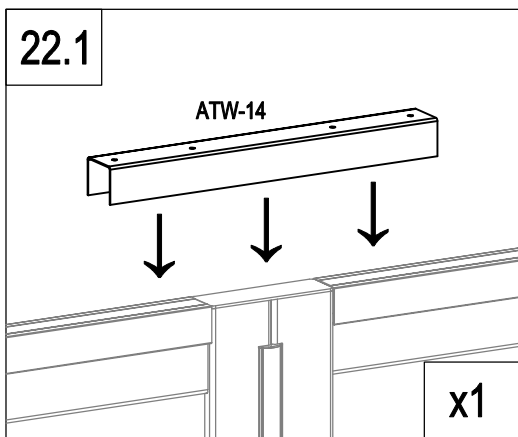
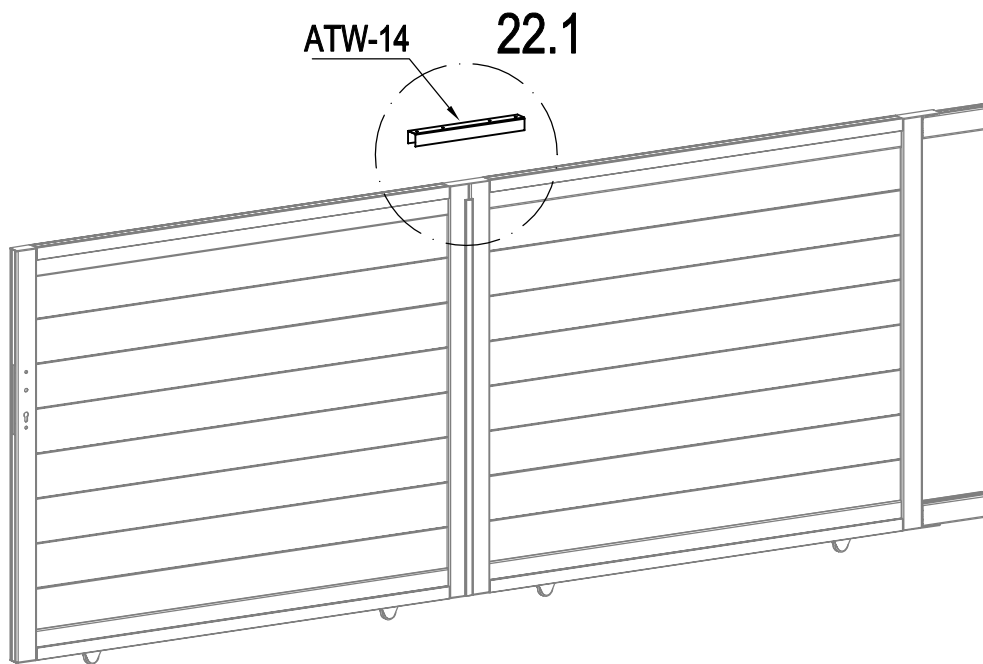
EN: These parts are made for connecting your gate's automation
 FR: Ces pièces sont faites pour relier l'automatisation de votre portail
 DE: Diese Teile sind für den Anschluss der Automatisierung Ihres Tores vorgesehen
 ES: Estas piezas están hechas para conectar la automatización de su puerta
 PT: Estas peças são feitas para ligar a automatização do seu portão
 IT: Queste parti sono realizzate per collegare l'automazione del vostro cancello
 NL: Deze onderdelen zijn gemaakt voor het aansluiten van de automatisering van uw poort.
 PL: Te części są wykonane do podłączenia automatyki bramy.





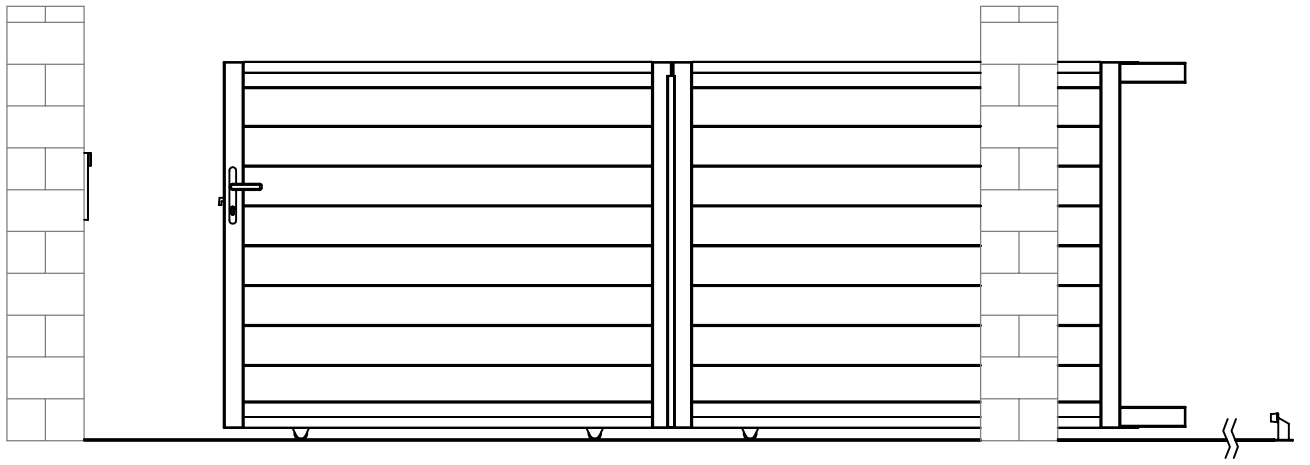
	AT-B14	2
	AT-B14a	2
	CK-P32	16



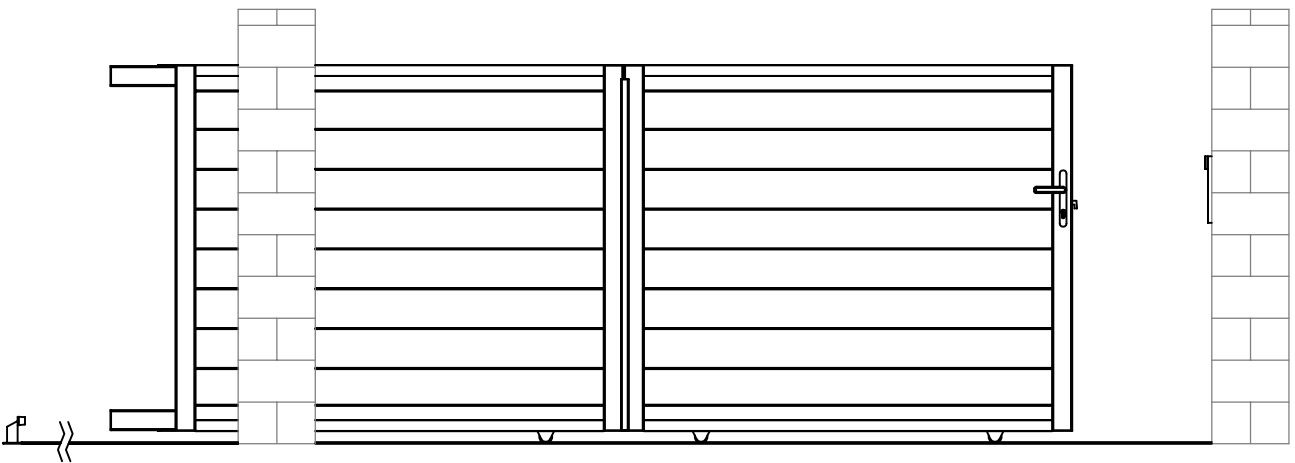
	VT-B15	2
	AT-19	4
	CK-P37	8



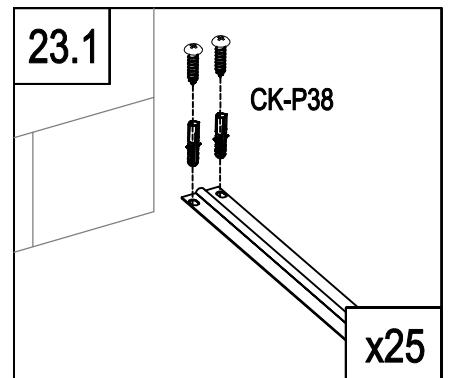
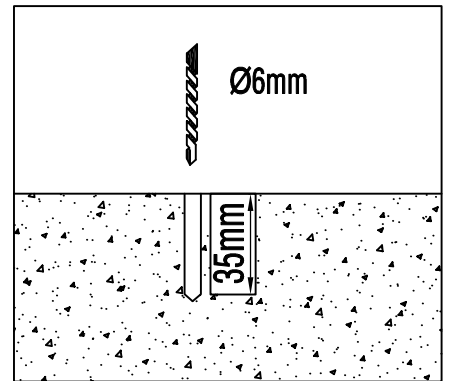
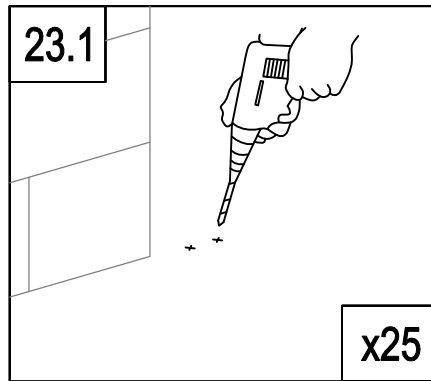
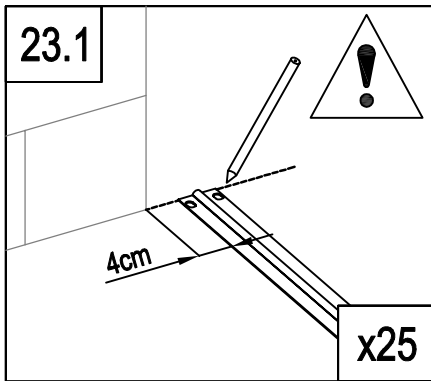
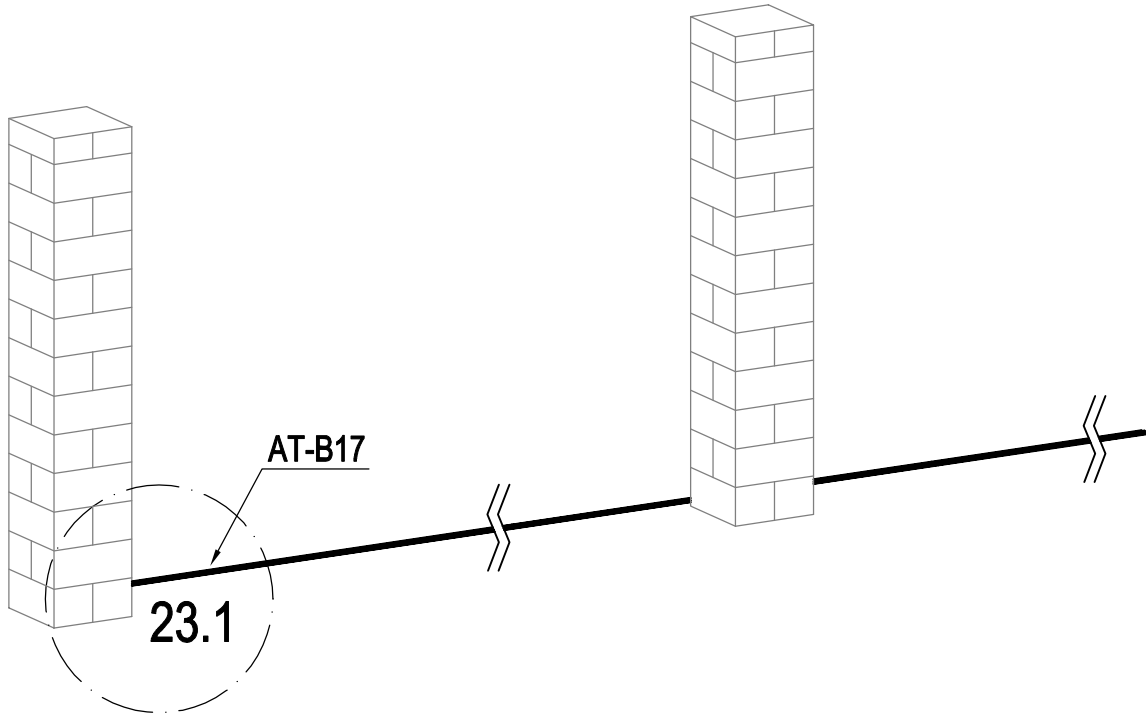
	ATW-14	1
	CK-P34	4





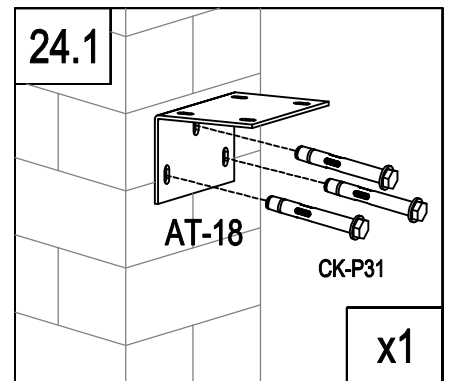
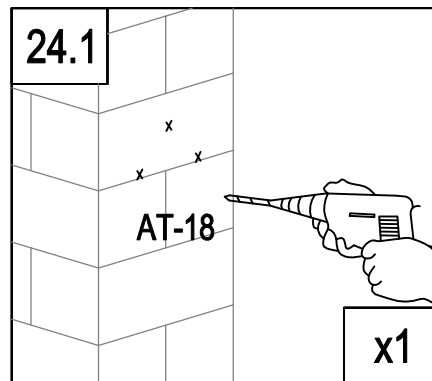
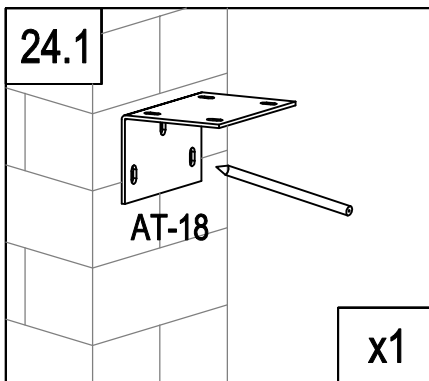
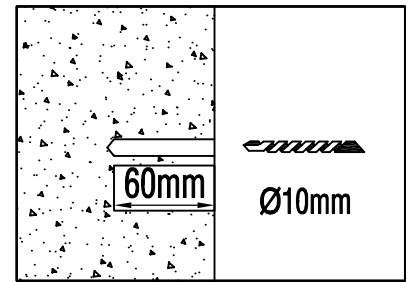
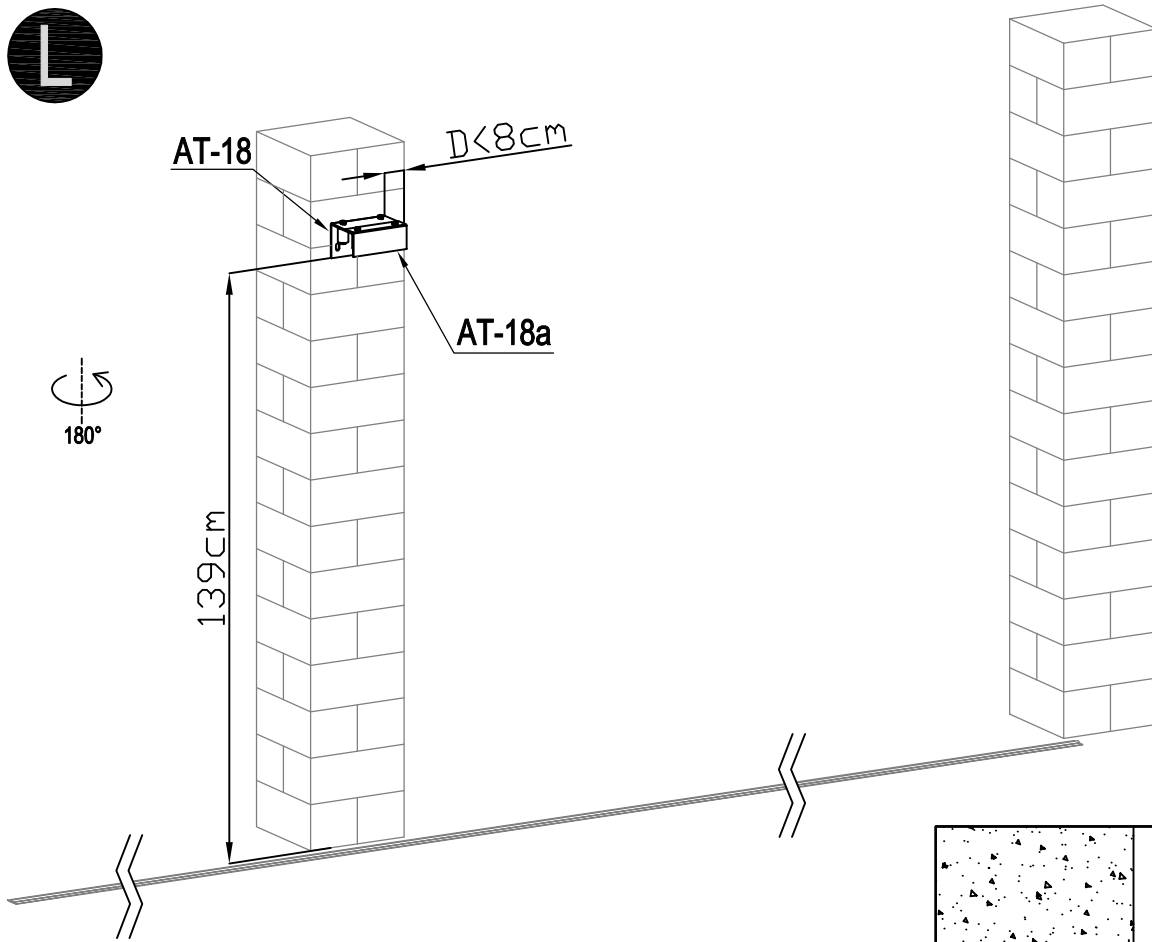
L : P23~28



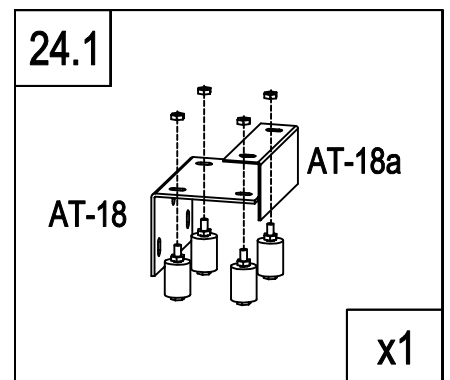
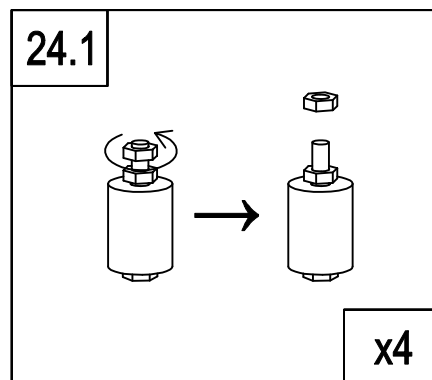
R : P29~34



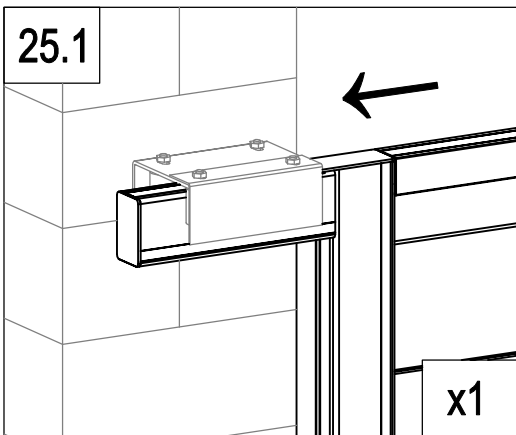
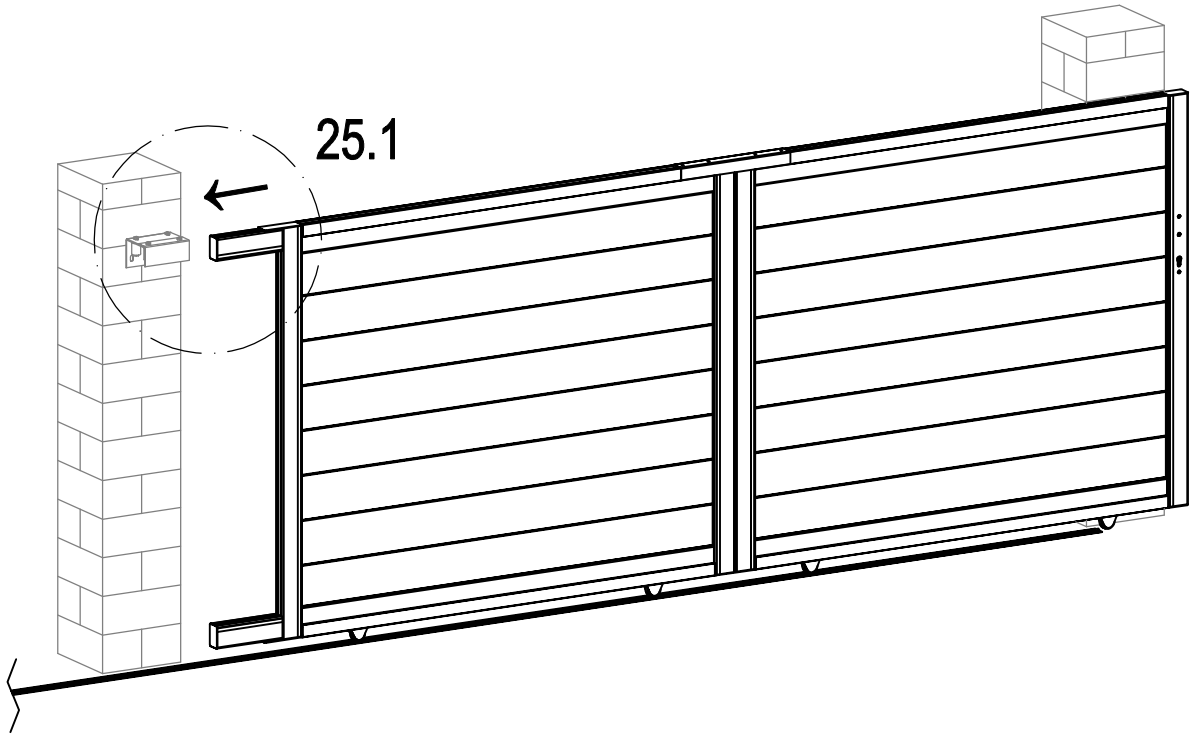
	AT-B17	5
	CK-P38	50



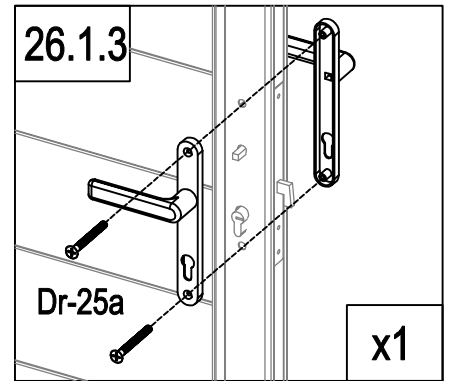
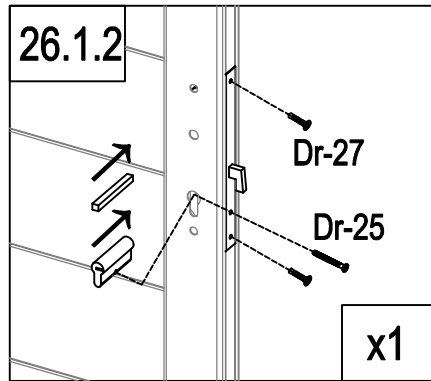
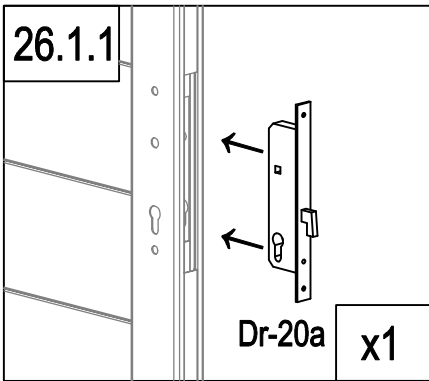
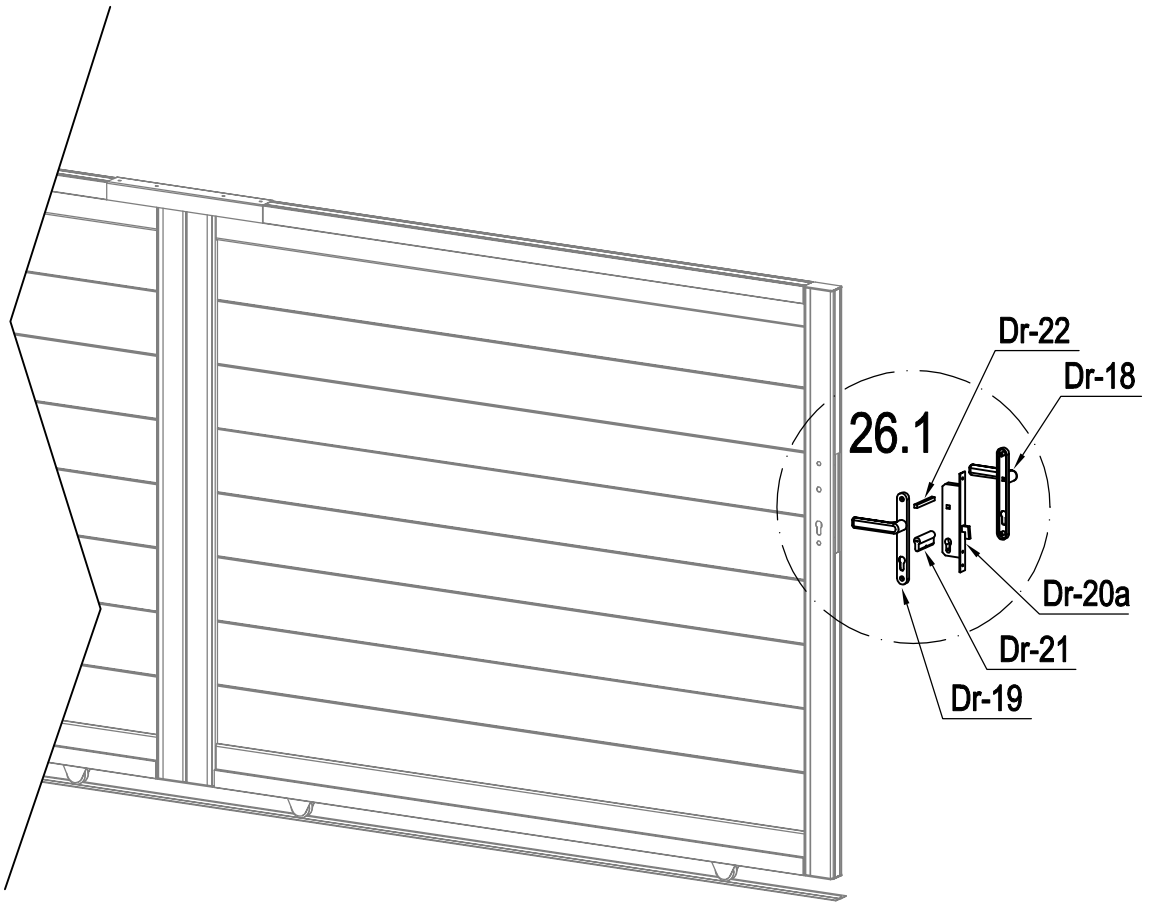
	AT-18	1
	AT-18a	1
	AT-20	4
	CK-P31	3



L

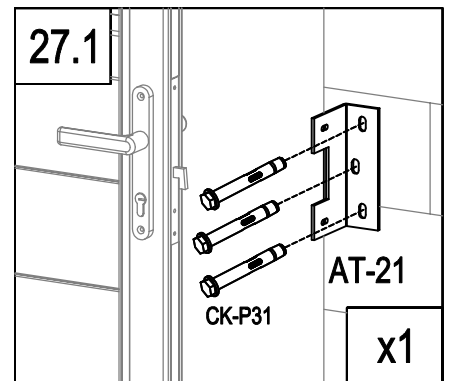
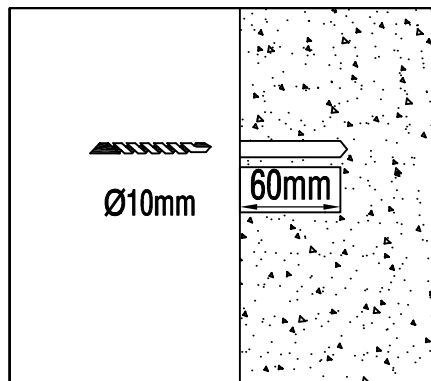
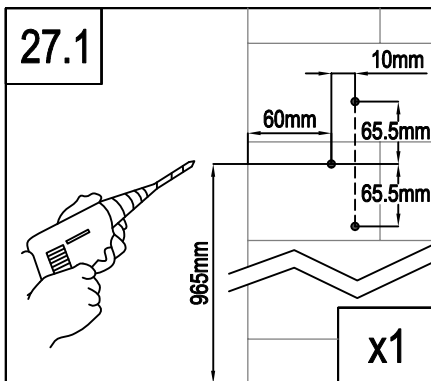
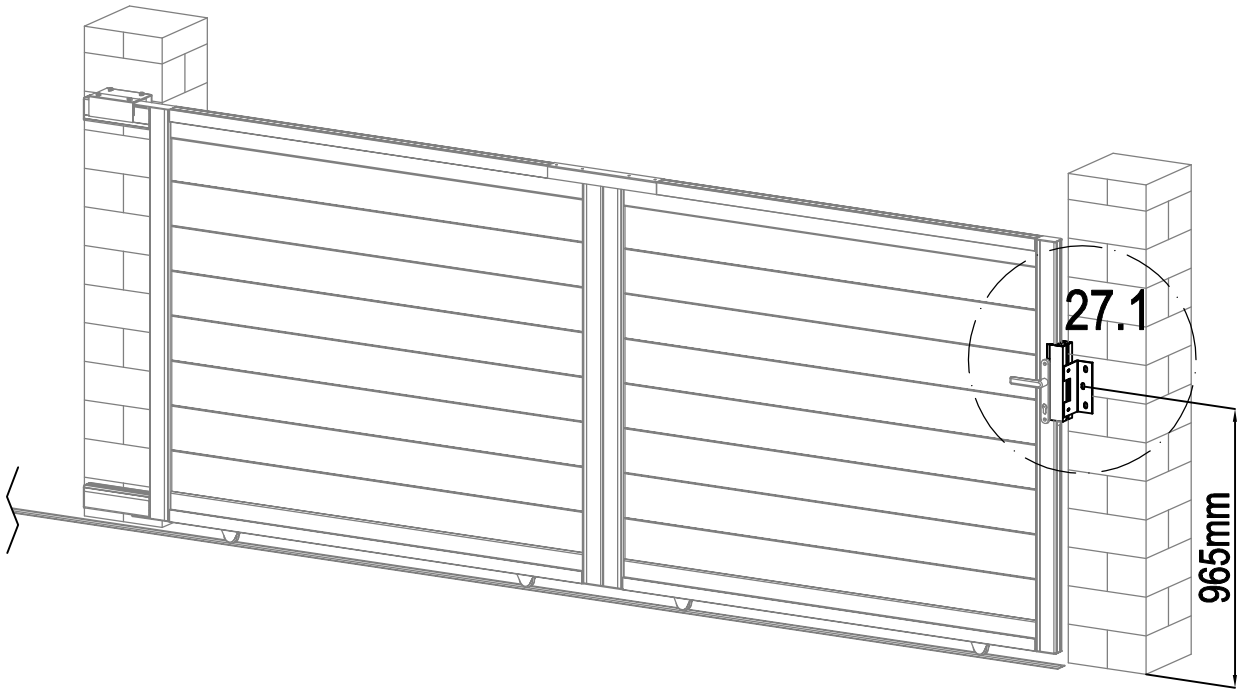


L

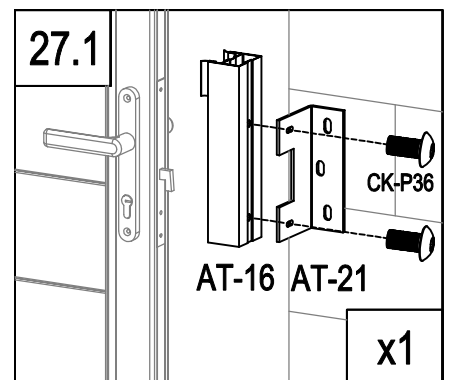
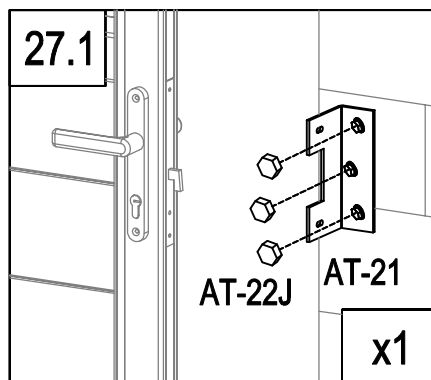


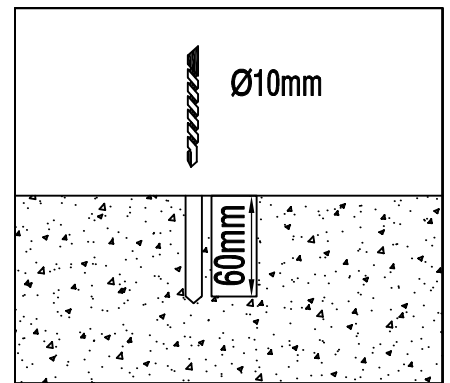
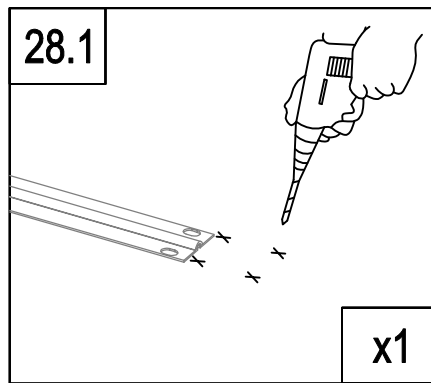
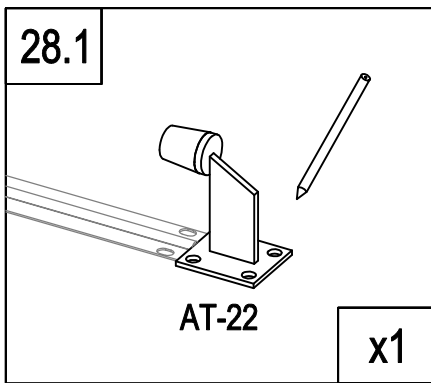
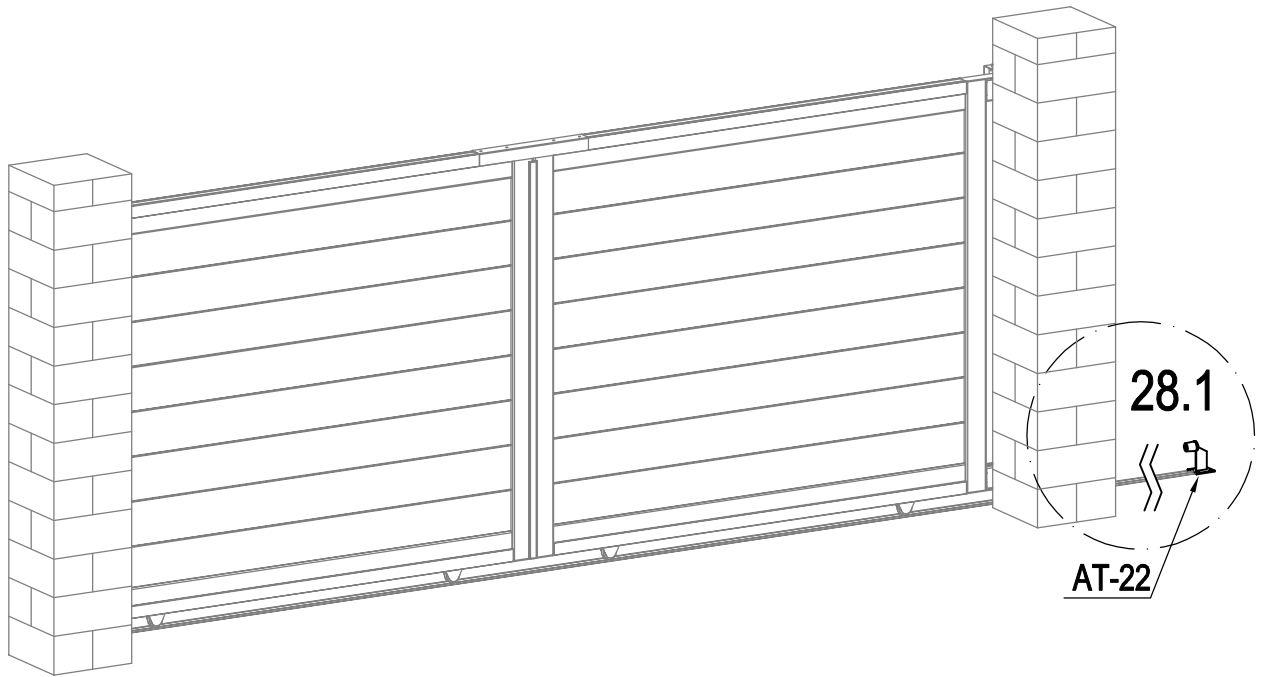
	Dr-20a	1
	Dr-21	1
	Dr-22	1
	Dr-25	1

	Dr-18	1
	Dr-19	1
	Dr-25a	2
	Dr-27	2

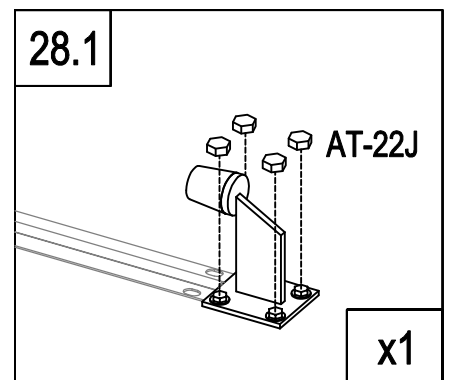
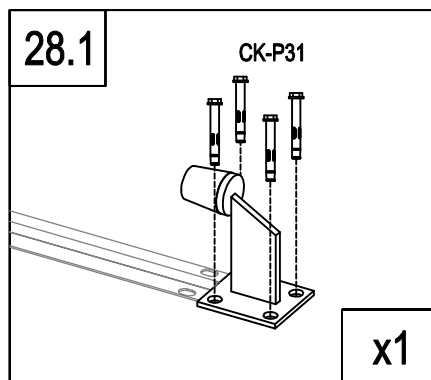


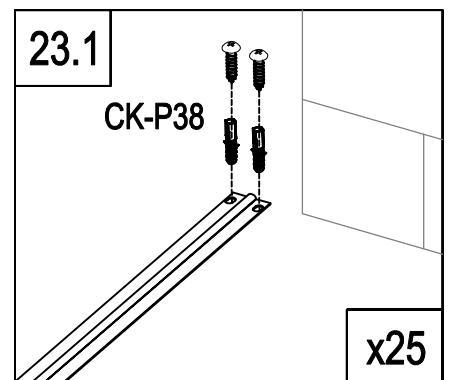
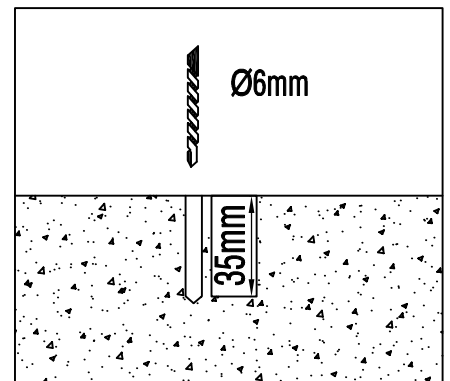
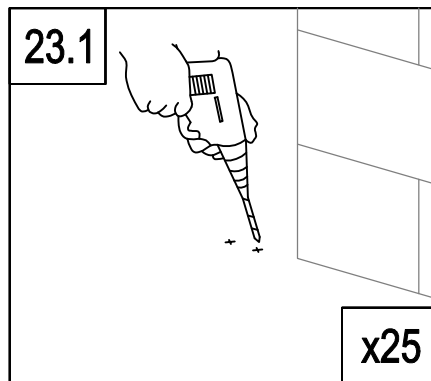
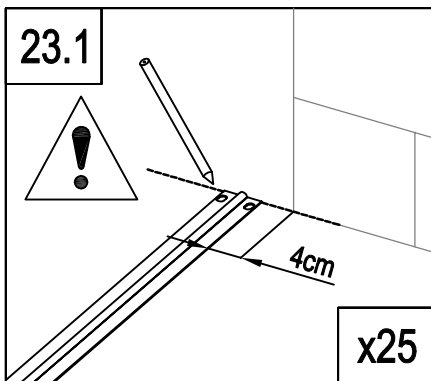
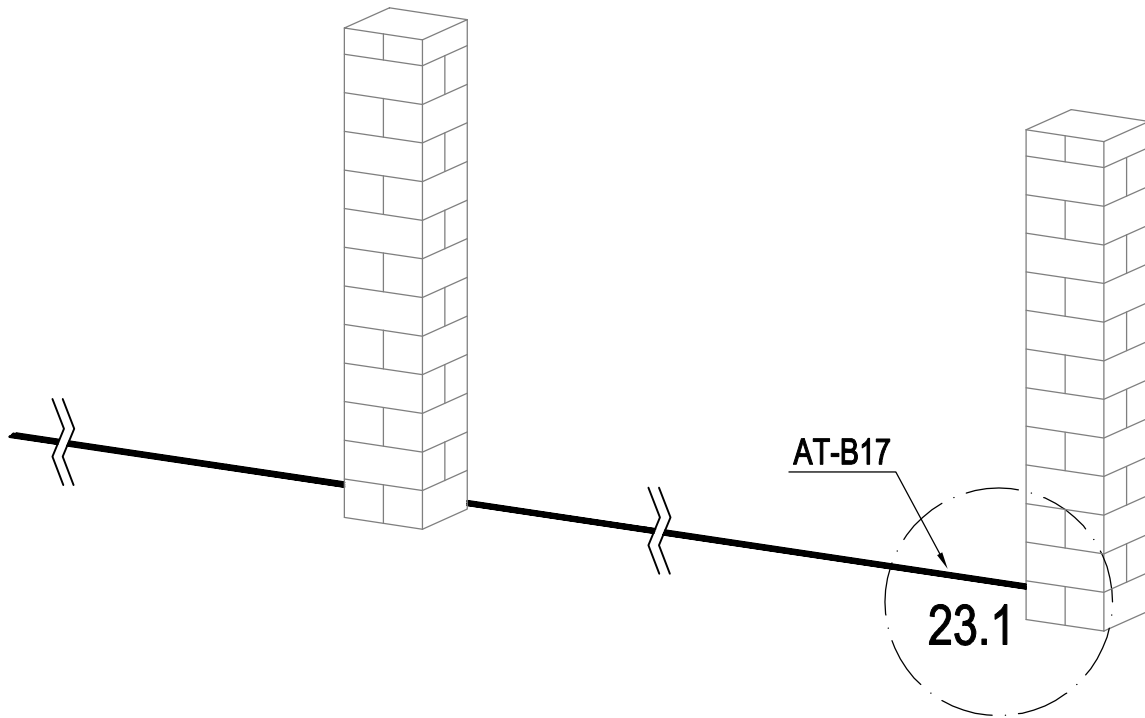
	AT-16	1
	AT-21	1
	CK-P36	2
	CK-P31	3
	AT-22J	3







	AT-22	1
	CK-P31	4
	AT-22J	4

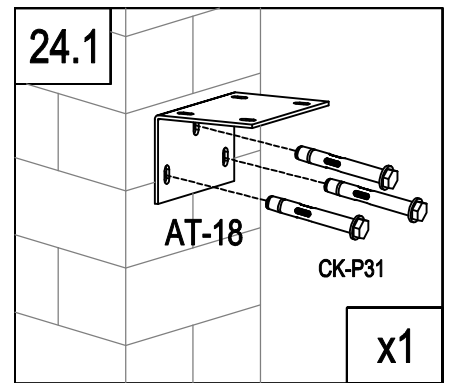
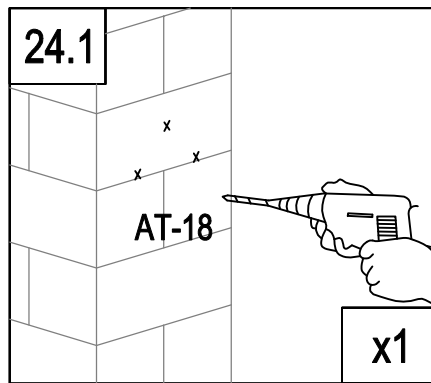
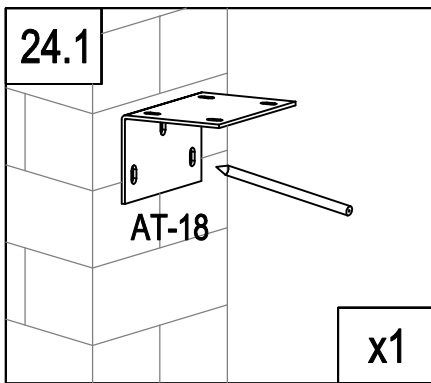
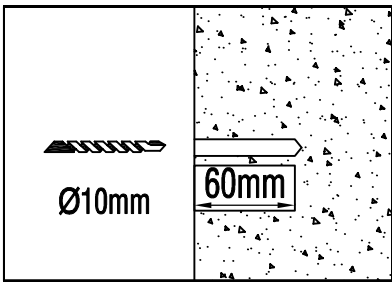
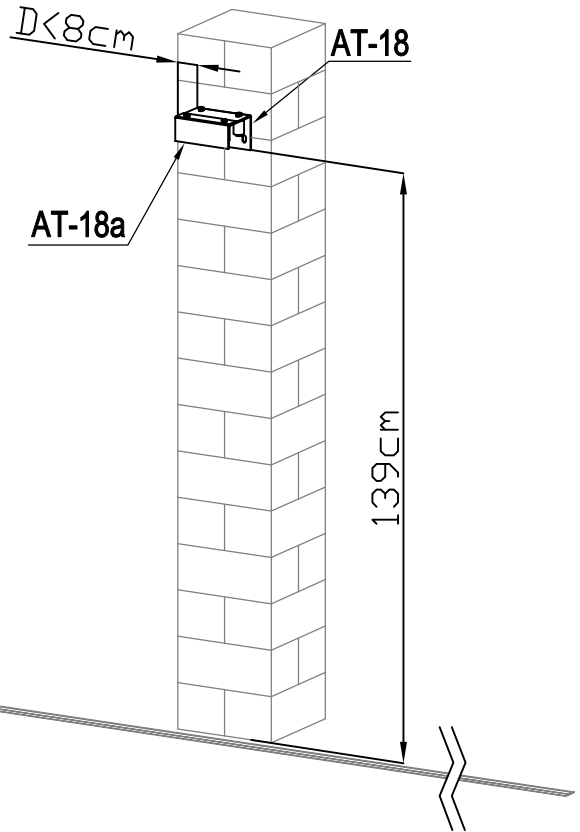
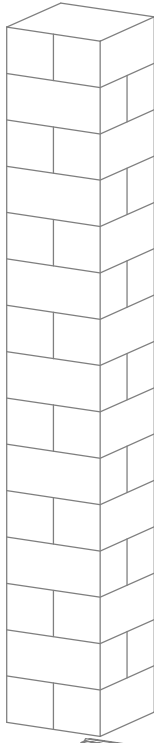




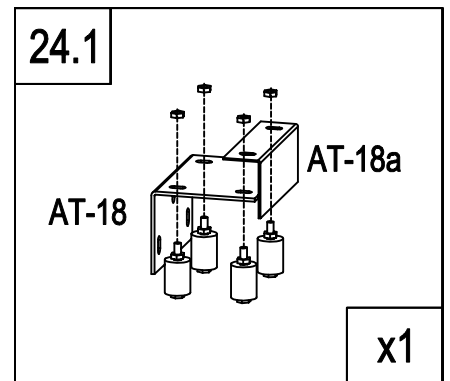
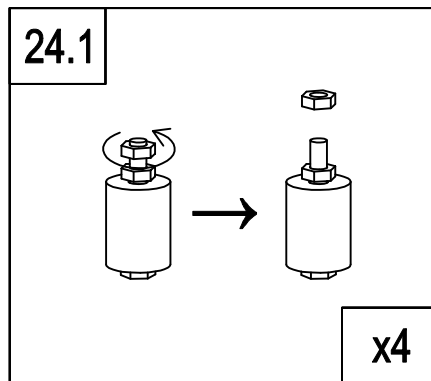
	AT-B17	5
	CK-P38	50

R

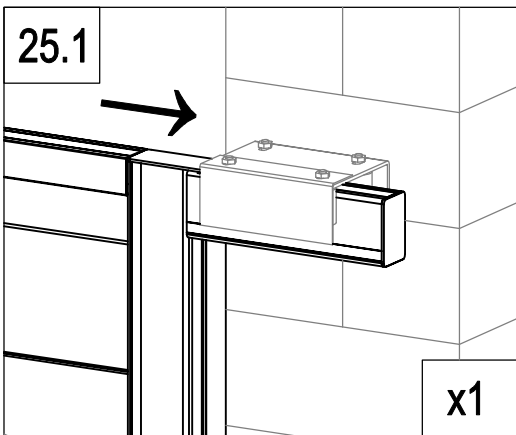
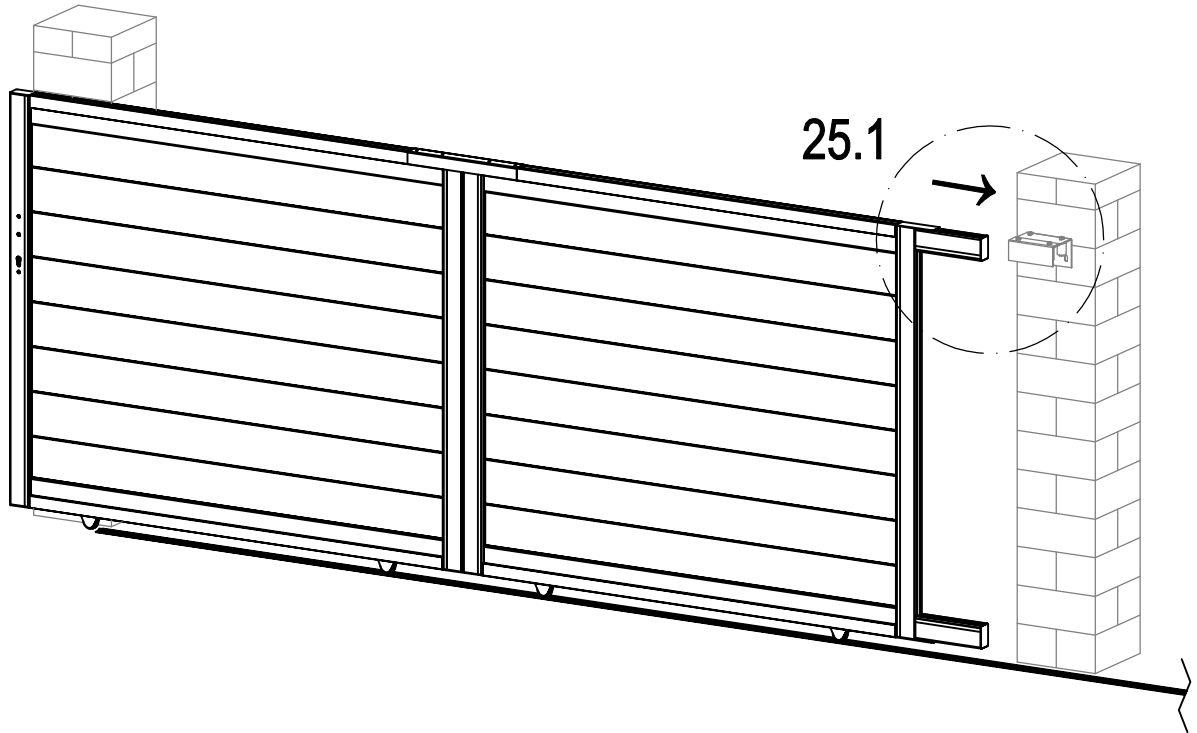
180°

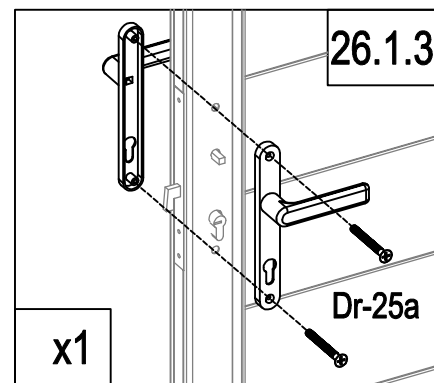
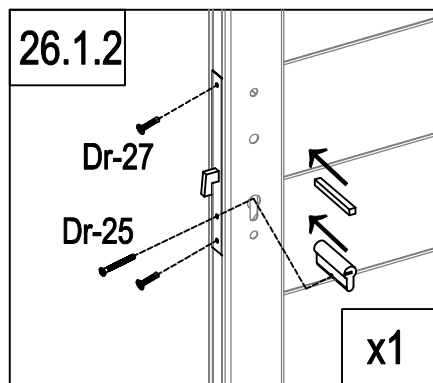
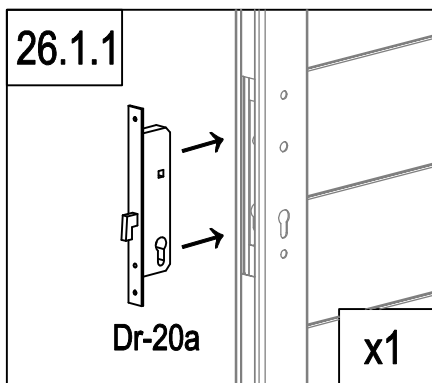
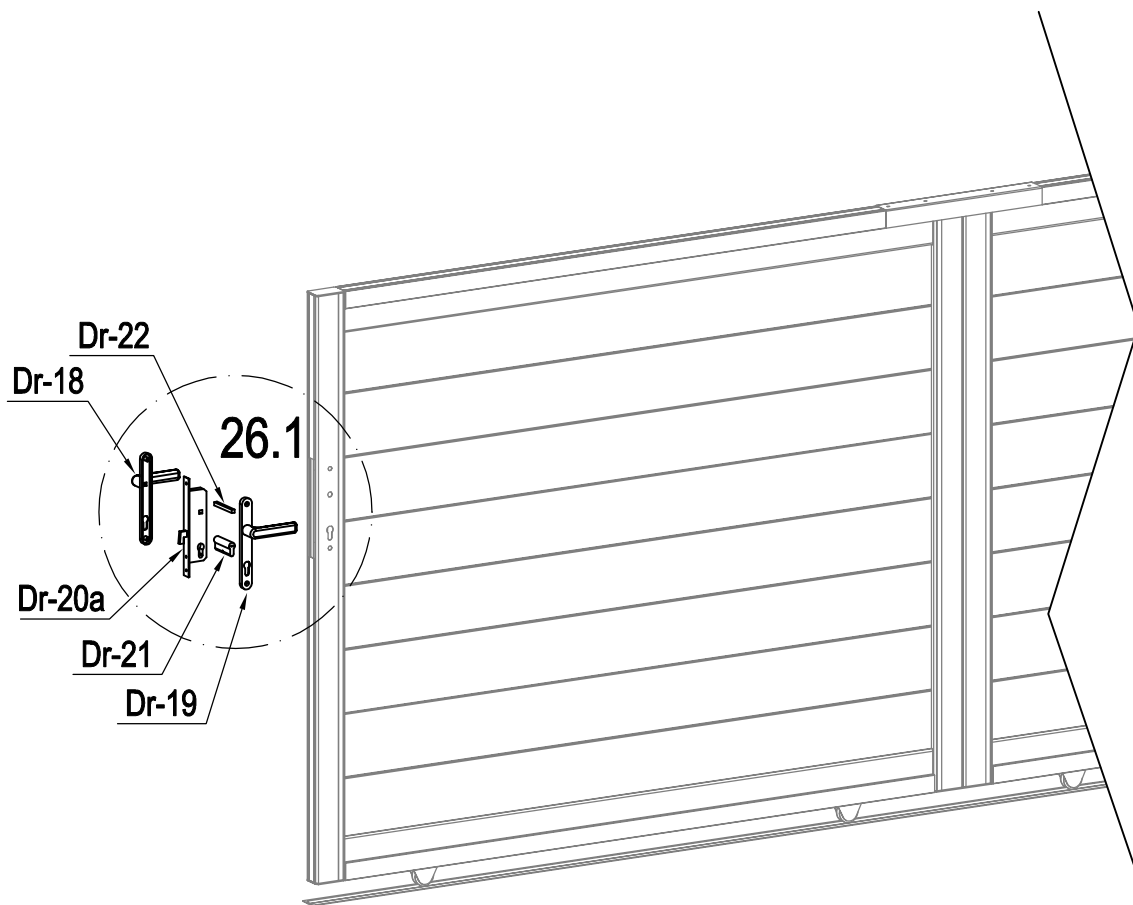


	AT-18	1
	AT-18a	1
	AT-20	4
	CK-P31	3



R

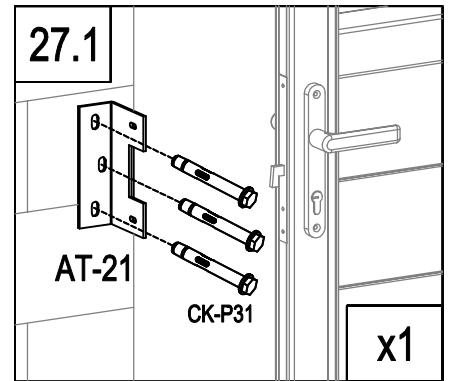
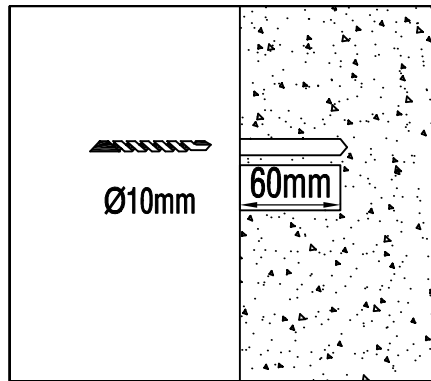
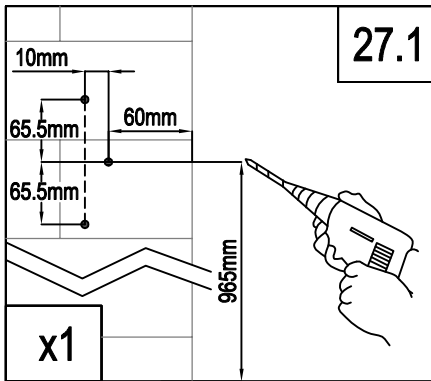
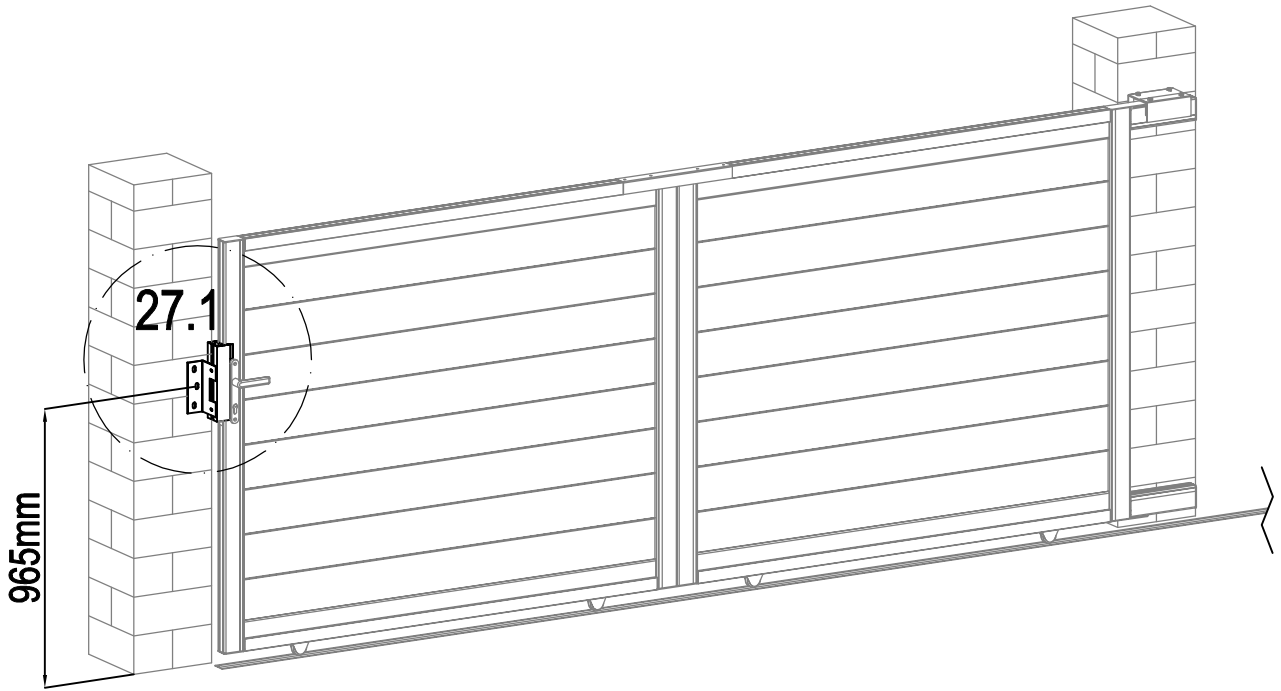




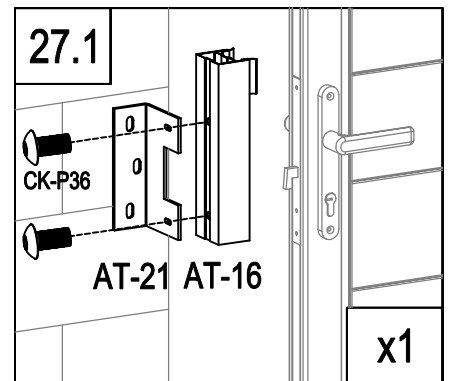
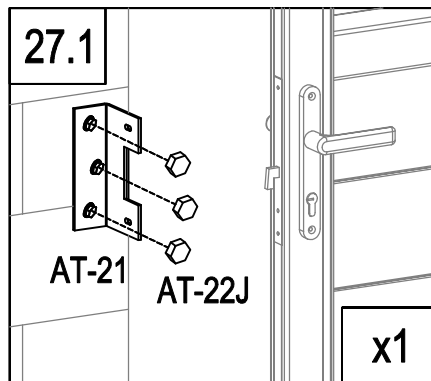
	Dr-20a	1
	Dr-21	1
	Dr-22	1
	Dr-25	1

	Dr-18	1
	Dr-19	1
	Dr-25a	2
	Dr-27	2

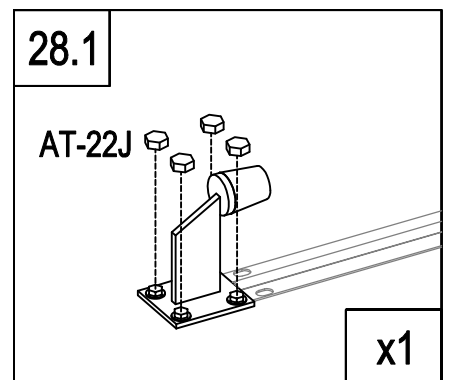
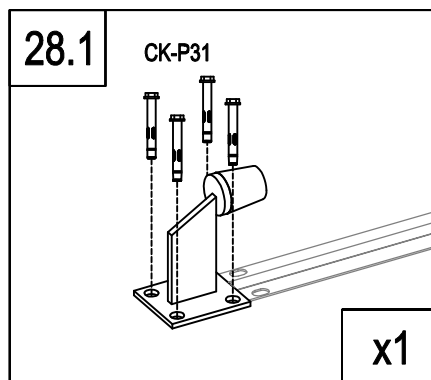
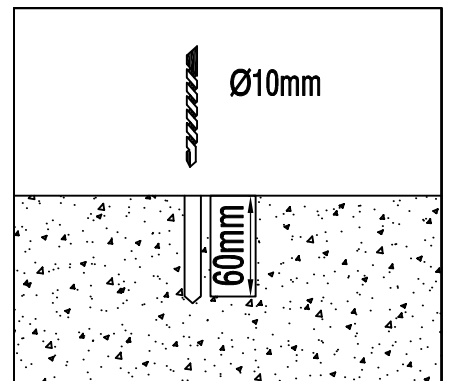
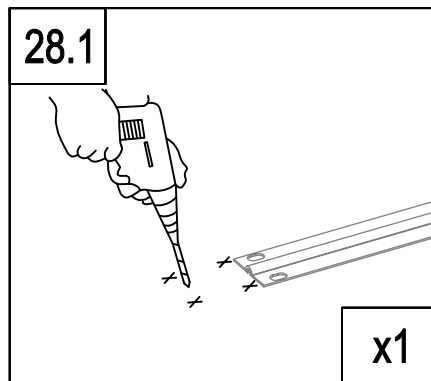
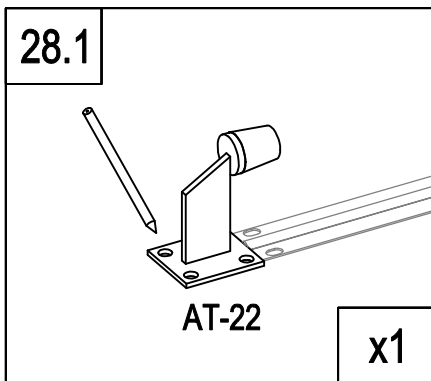
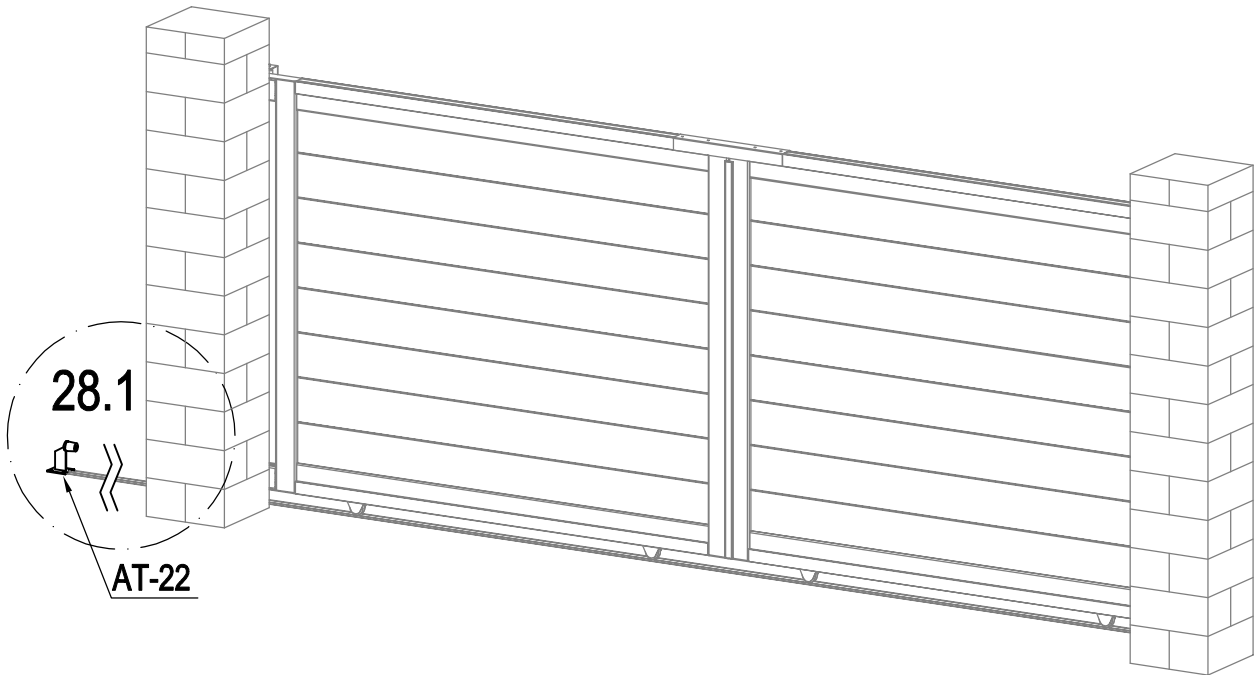
R






	AT-16	1
	AT-21	1
	CK-P36	2
	CK-P31	3
	AT-22J	3



R



	AT-22	1
	CK-P31	4
	AT-22J	4