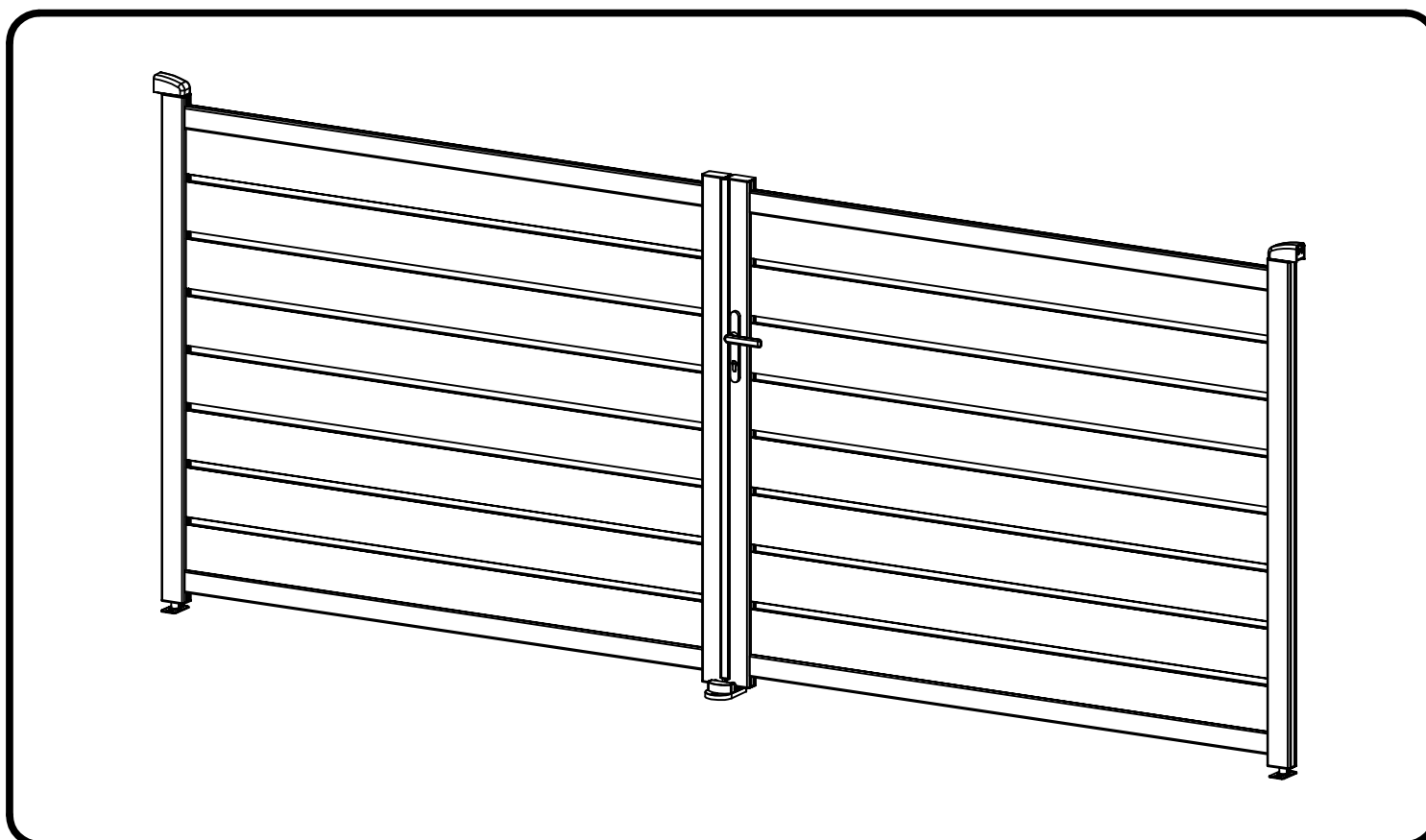


CASANOVO

VOGEL 400B160



7-8H



x2

COM-000013

[x1]

COM-000014

[x1]

COM-000015

[x1]

FR

EN

ES

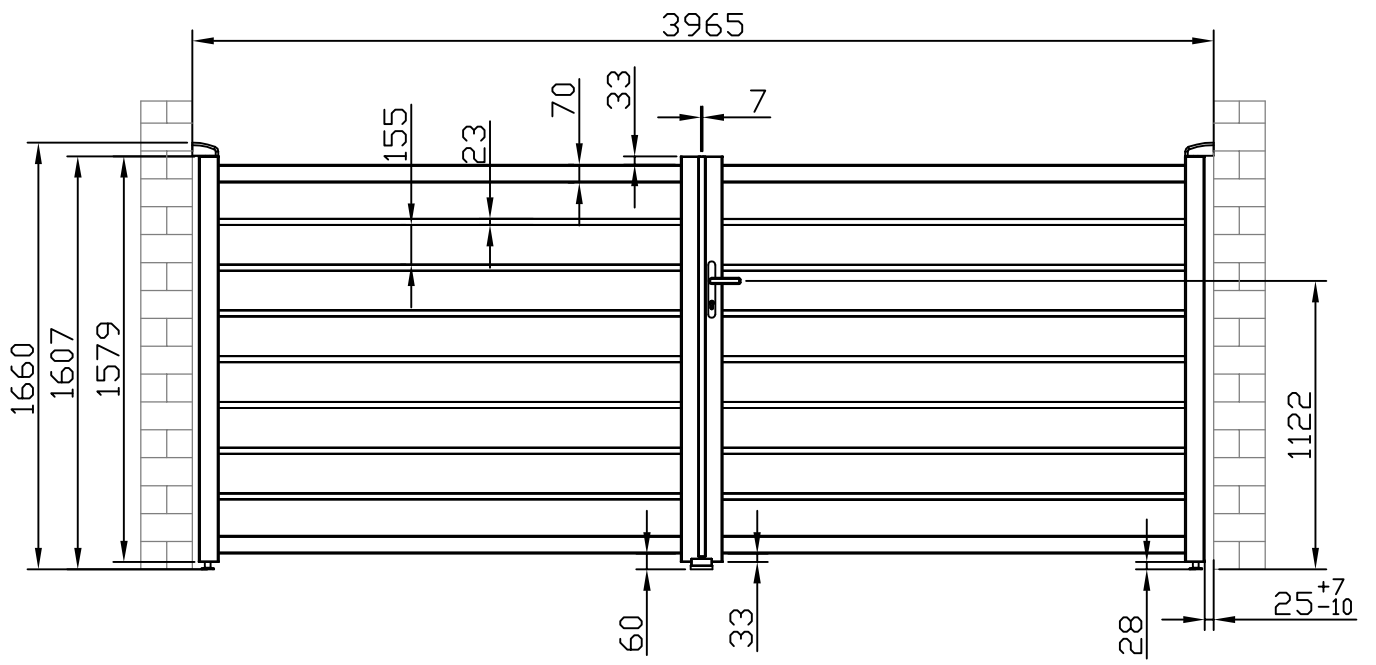
DE

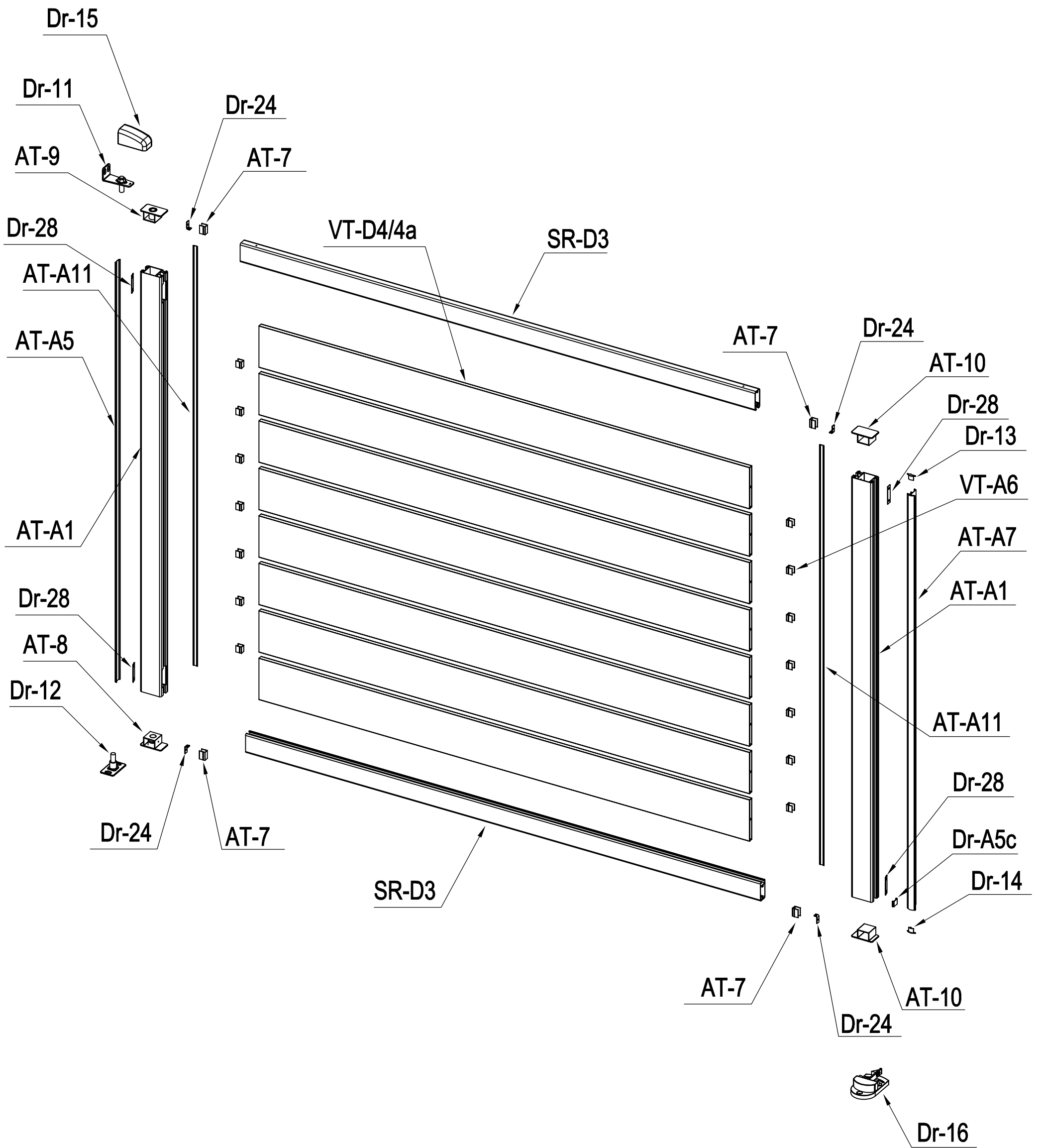
IT

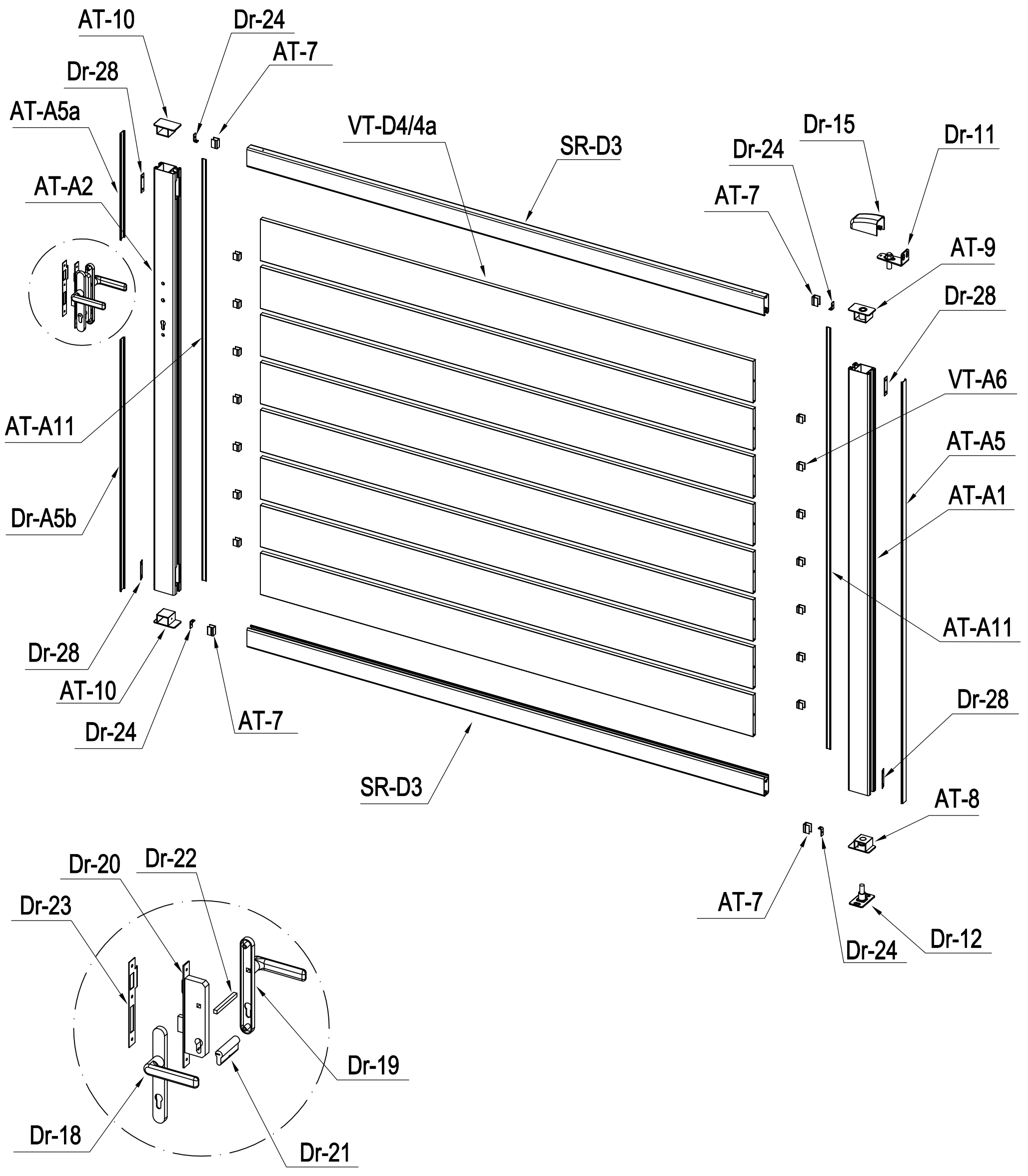
NL

PL

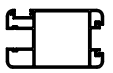
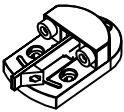

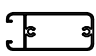

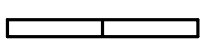
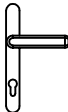
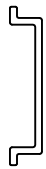
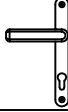



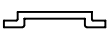
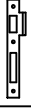

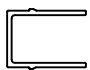




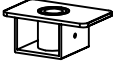

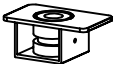

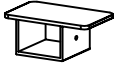

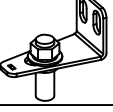


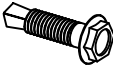


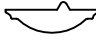






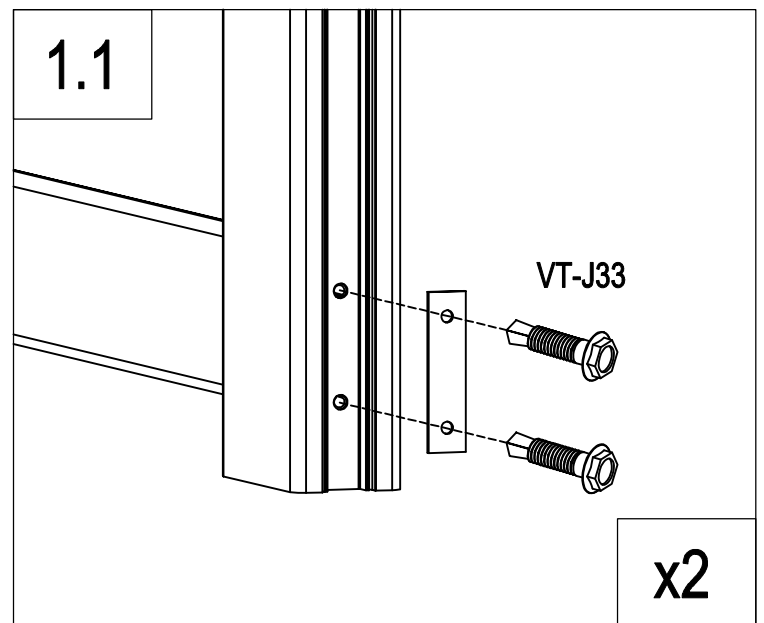
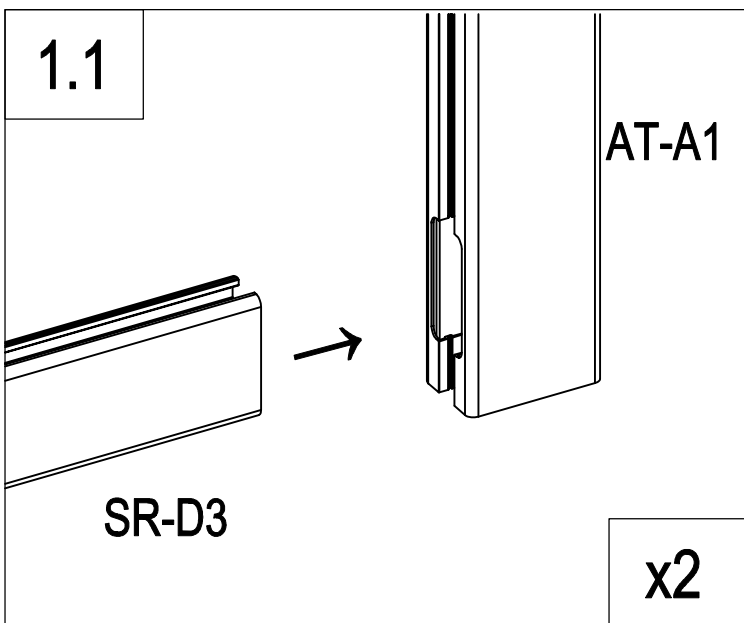
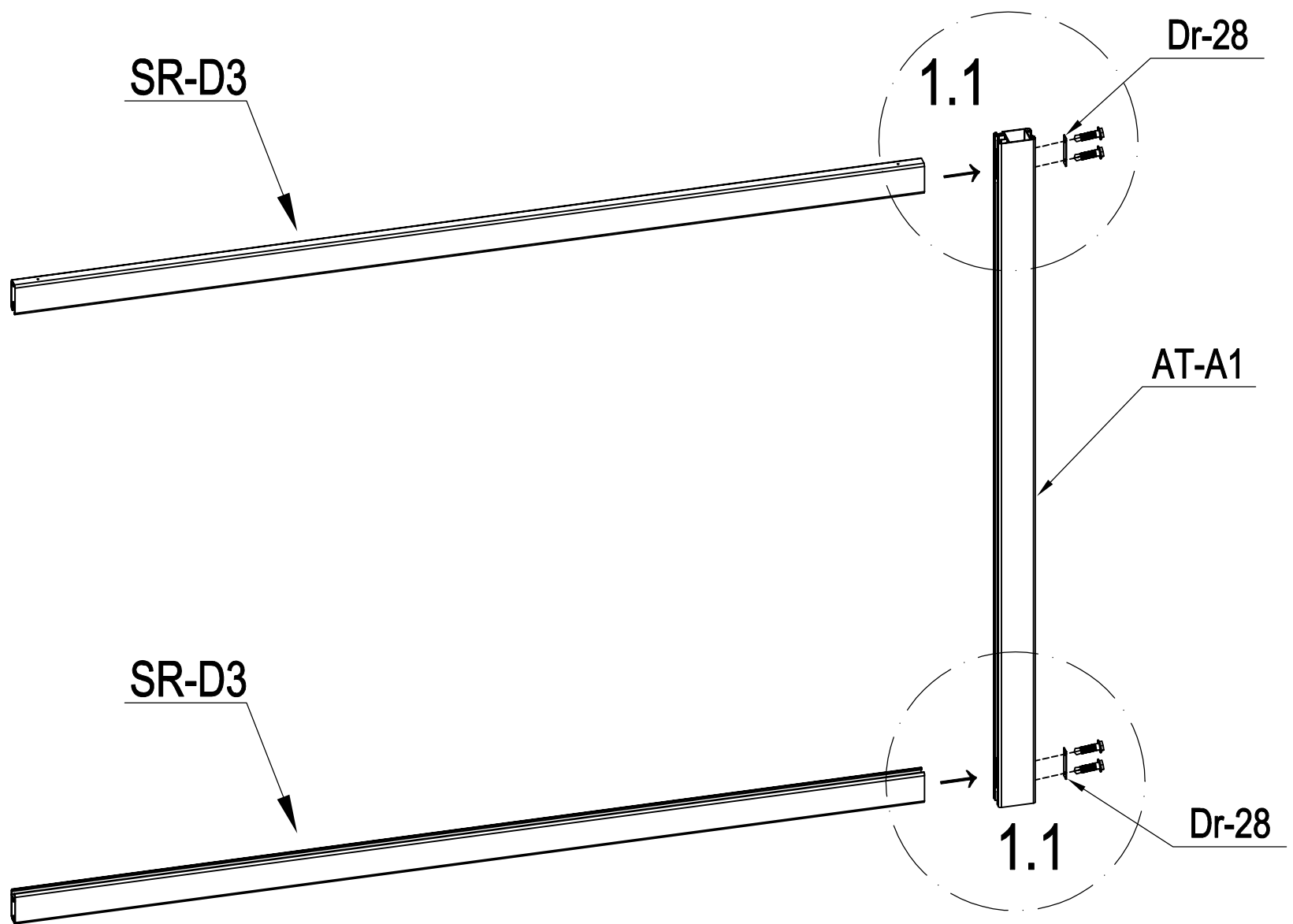


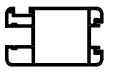
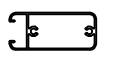

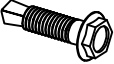


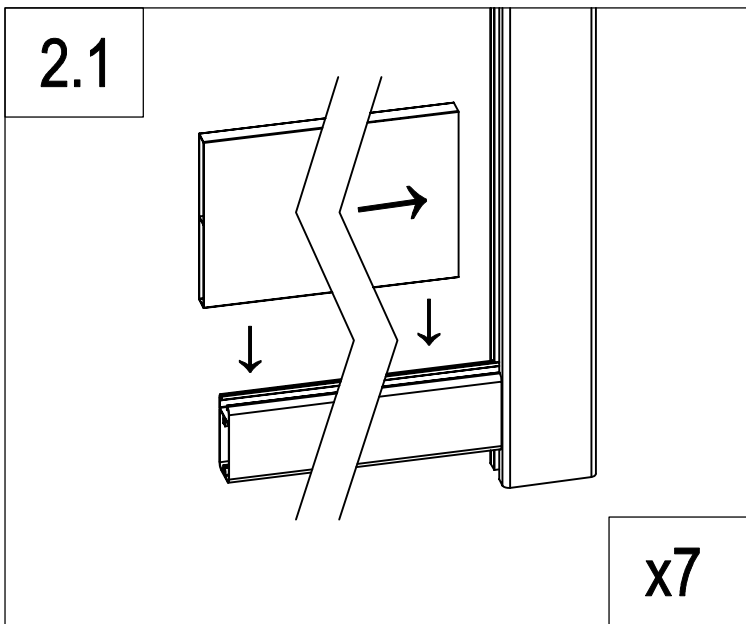
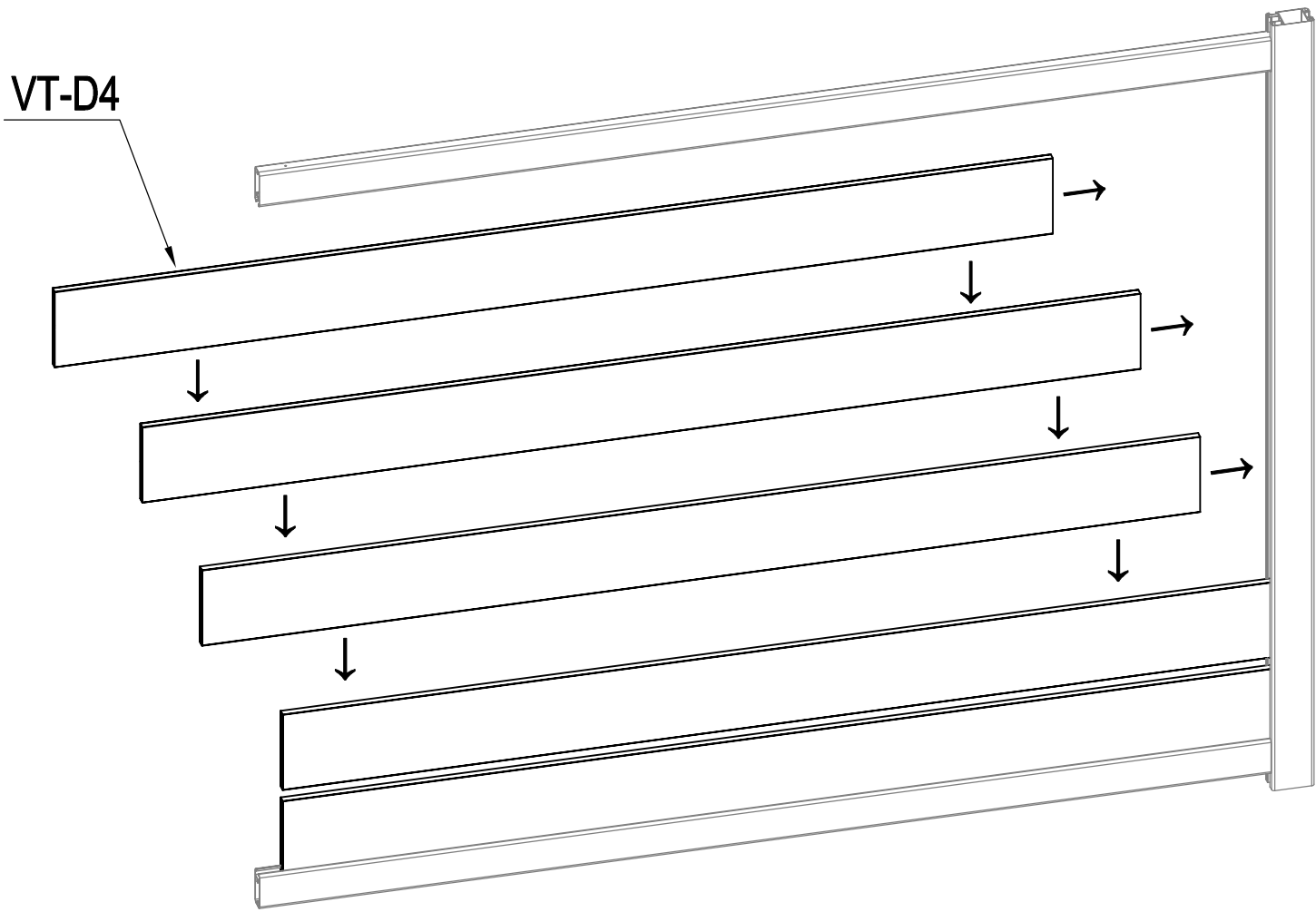


PART LIST

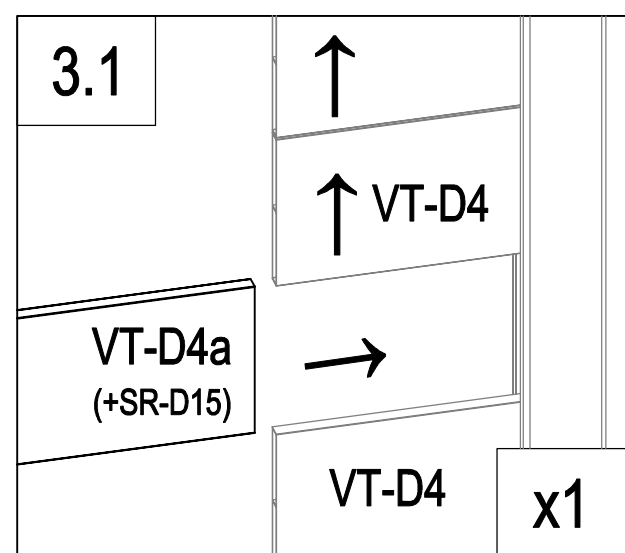
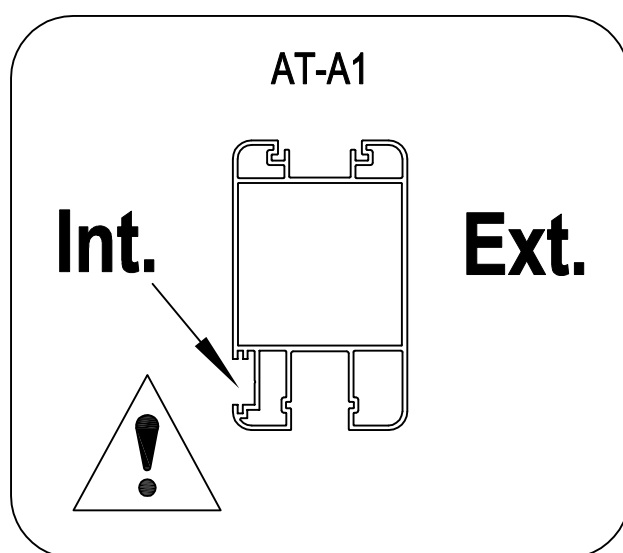
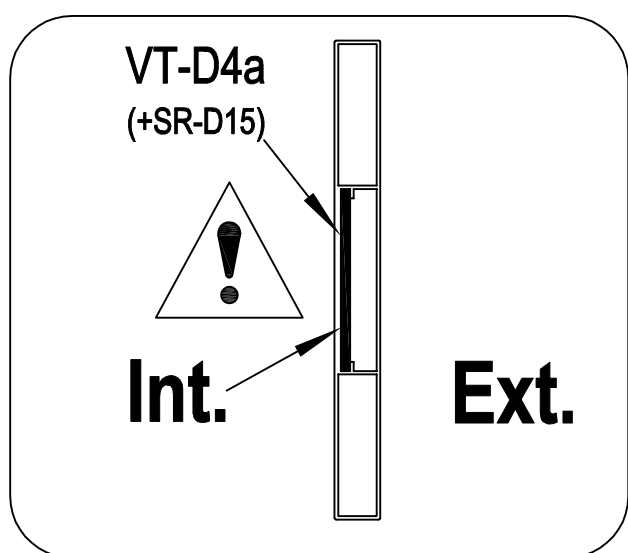
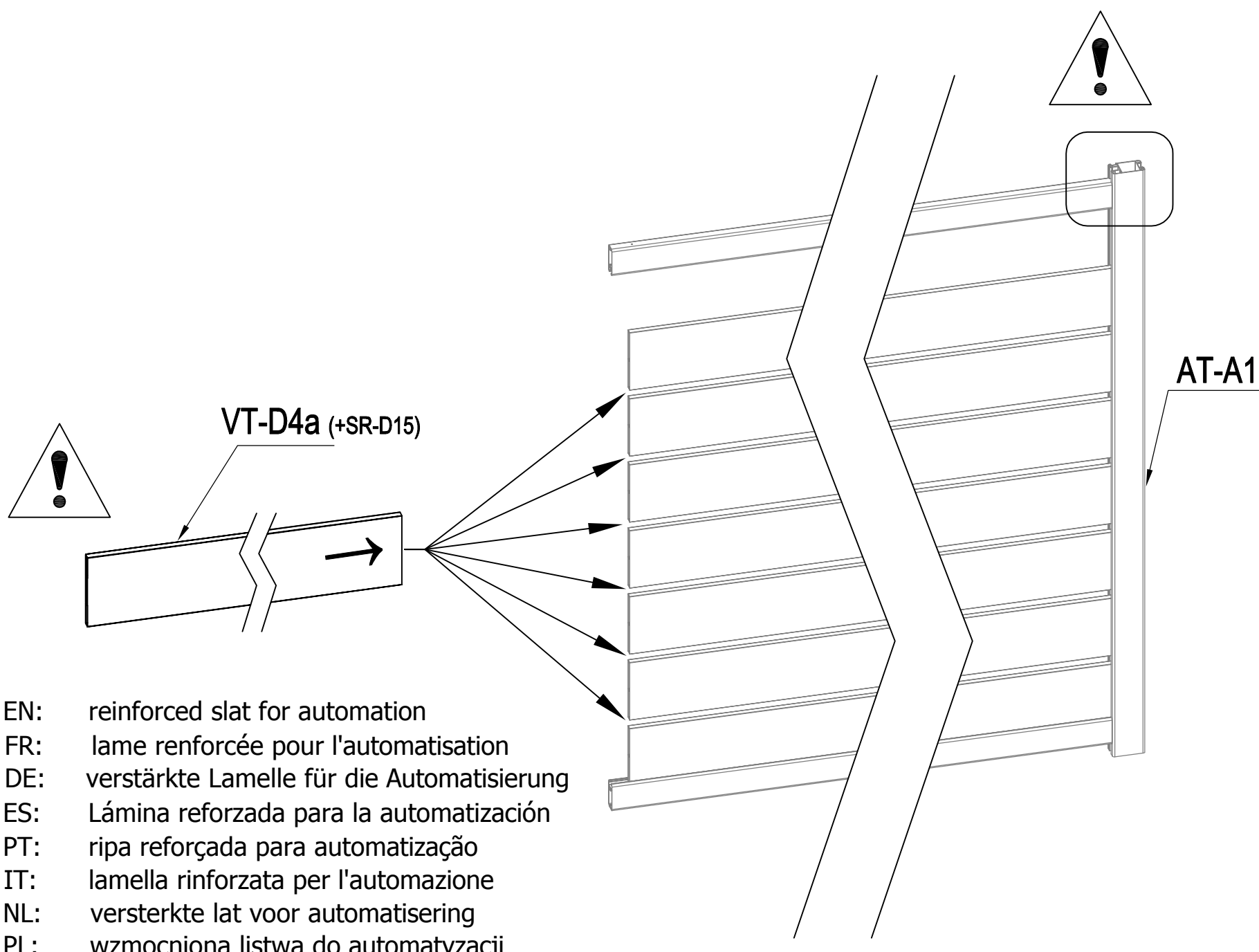
IMAGE	NO.	L.(mm)	QTY	IMAGE	NO.	L.(mm)	QTY
	AT-A1	1573	3		Dr-16		1
	AT-A2	1573	1			Dr-17	
	SR-D3	1931	4			Dr-31	
	VT-D4	1840	14		Dr-18		1
	VT-D4a (+SR-D15)	1840	2		Dr-19		1
	AT-A5	1573	2		Dr-20		1
	AT-A5a	395.5	1		Dr-21		1
	Dr-A5b	937	1		Dr-22		1
	Dr-A5c	19.5	1		Dr-23		1
	AT-A11	1573	4		Dr-24		8
	AT-A6	23	28		Dr-25		1
	AT-7	29.5	8		Dr-25a		2
	AT-A7	1553	1		Dr-26		3
	AT-8		2		Dr-27		2
	AT-9		2		VT-J30		8
	AT-10		4		VT-J31		8
	Dr-11		2		VT-J32		12
	Dr-12		2		VT-J33		16
	Dr-13		1		VT-J34		3
	Dr-14		1		VT-J35		3
	Dr-15		2		VT-J36		64
					Dr-28		8




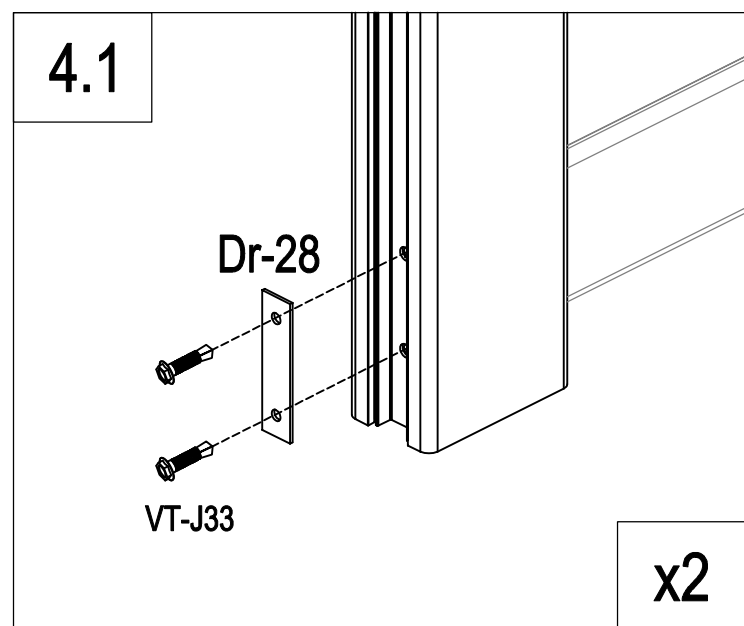
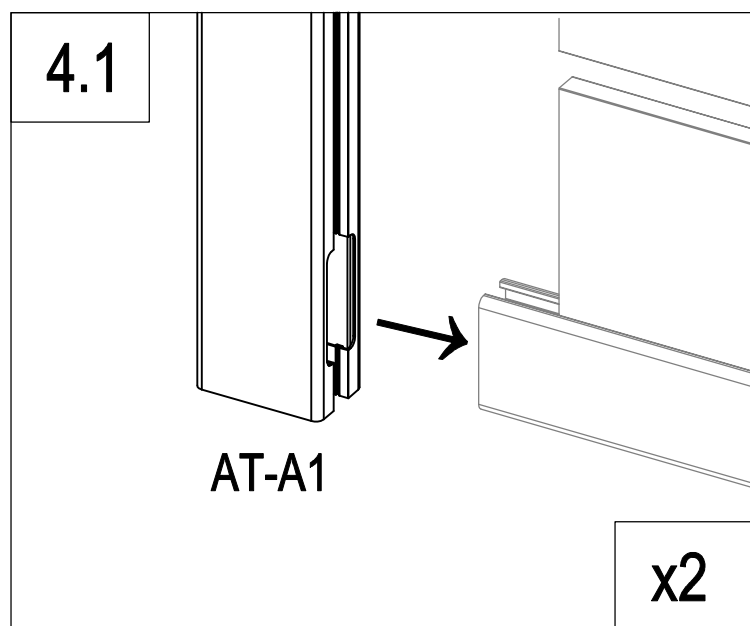
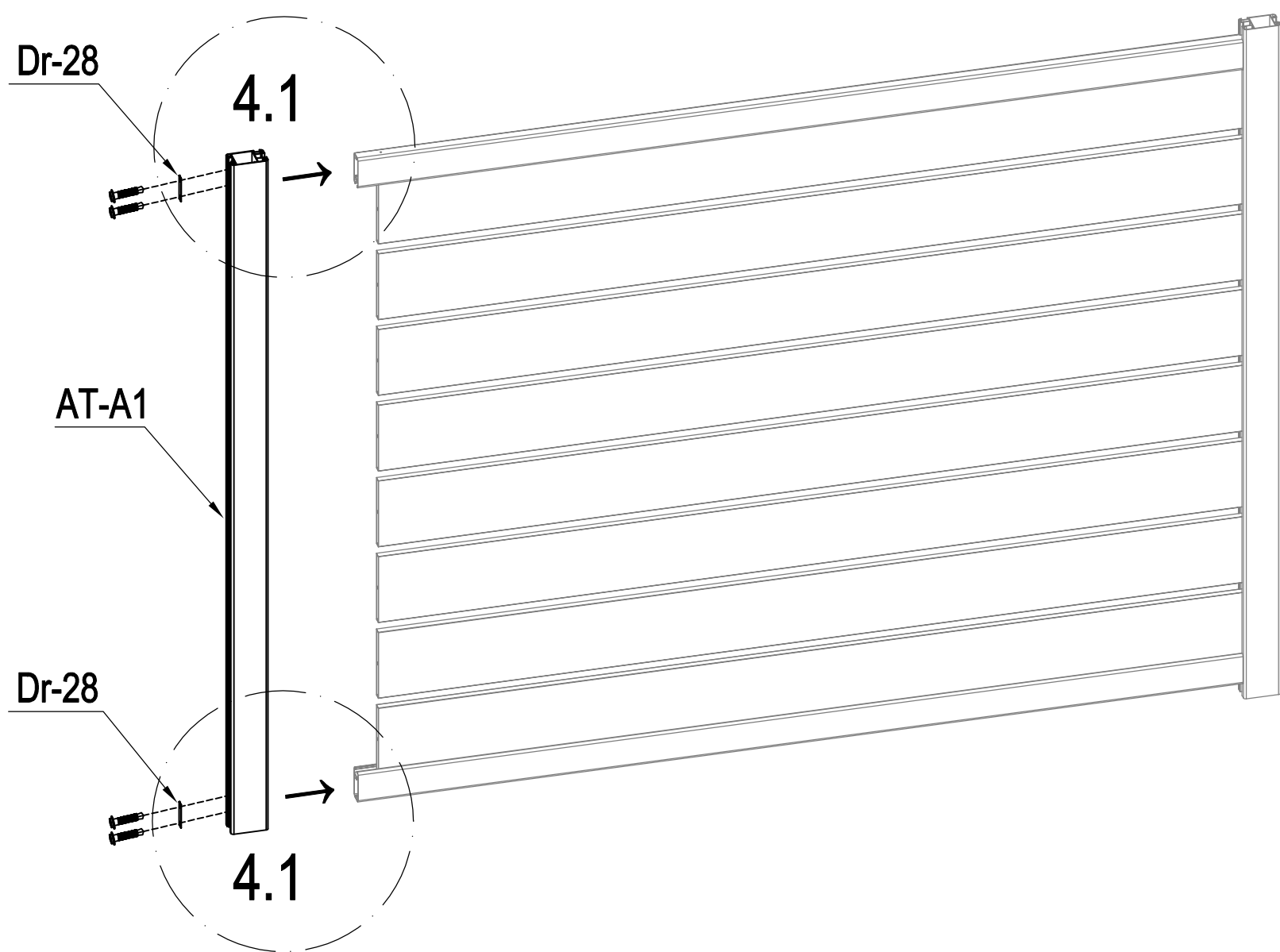
	AT-A1	1
	SR-D3	2
	Dr-28	2
	VT-J33	4

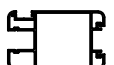




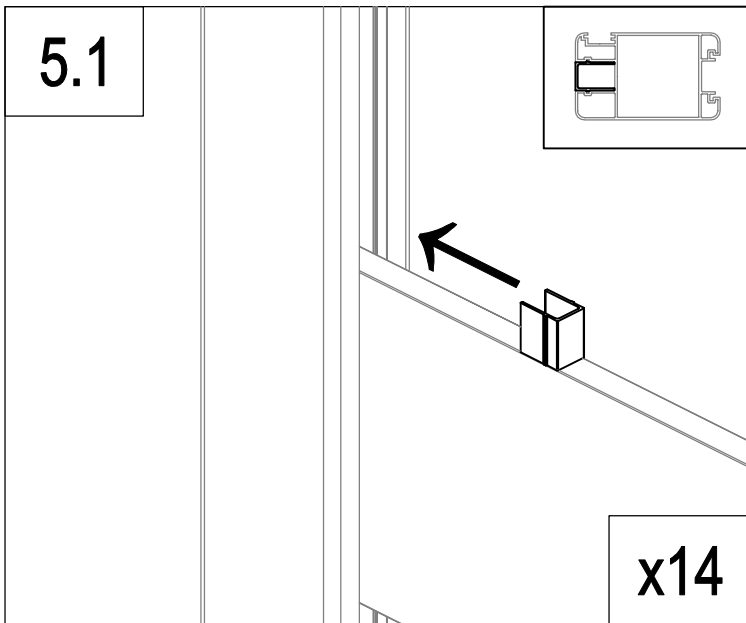
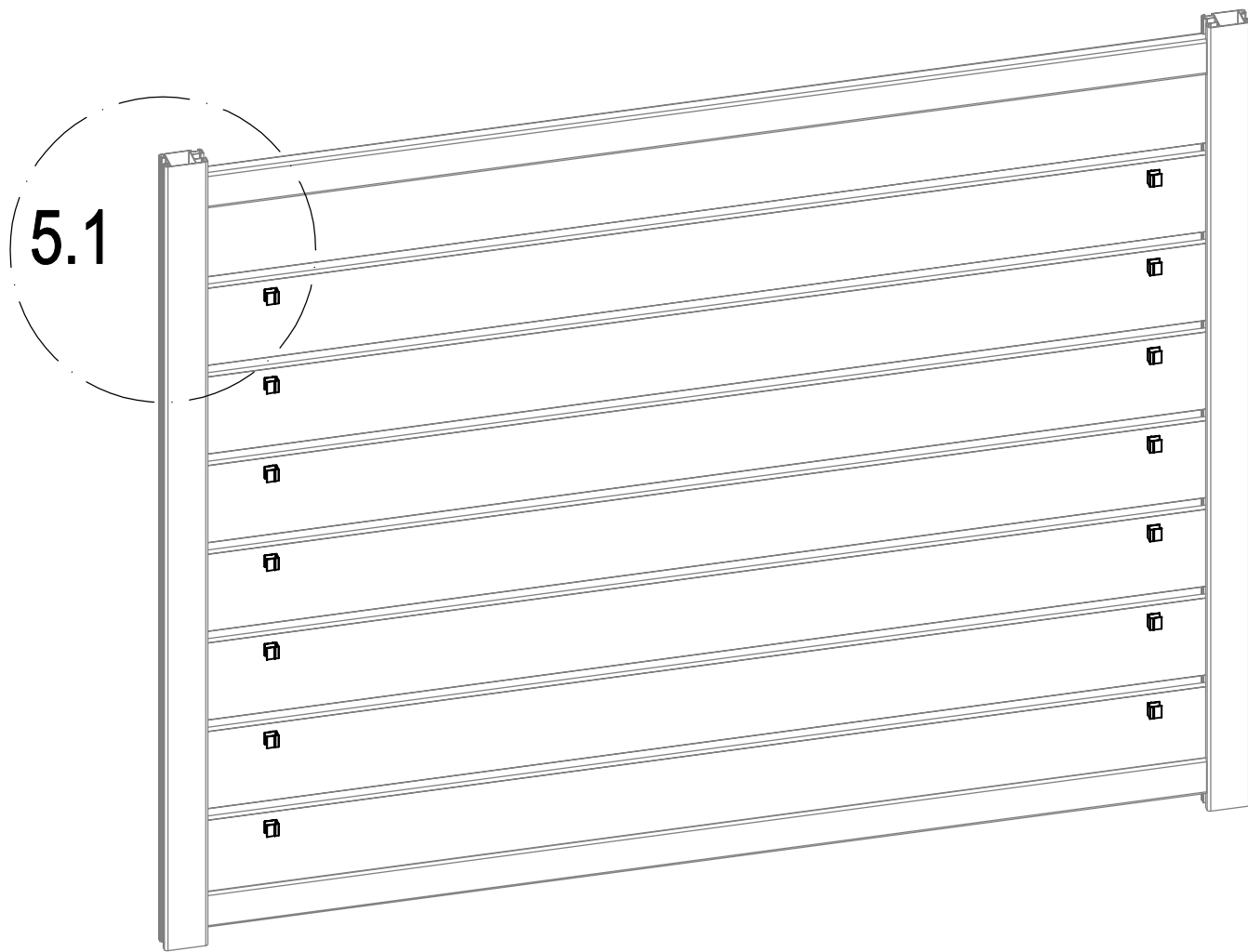
	VT-D4	7
---	-------	---



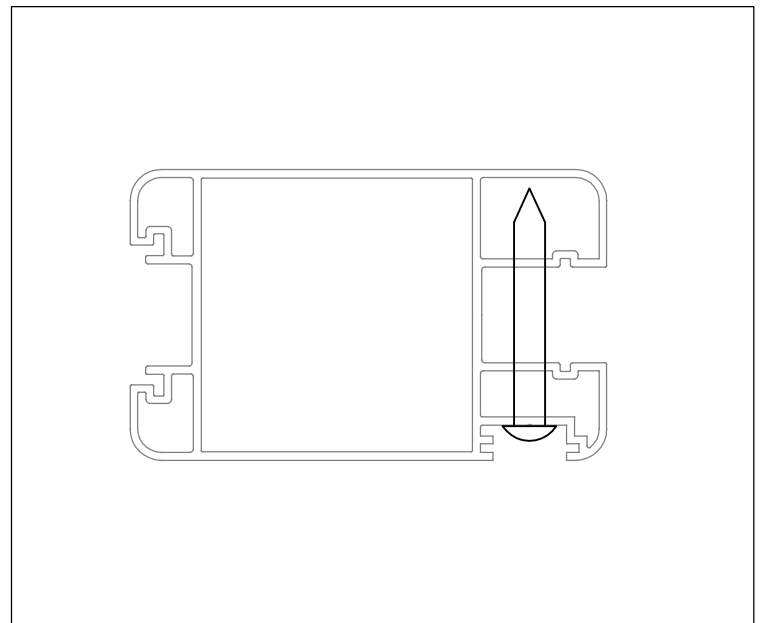
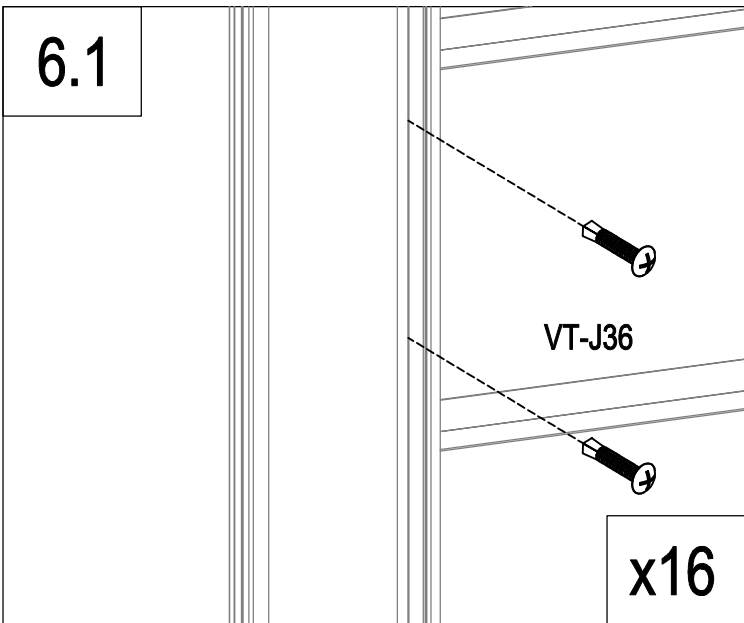
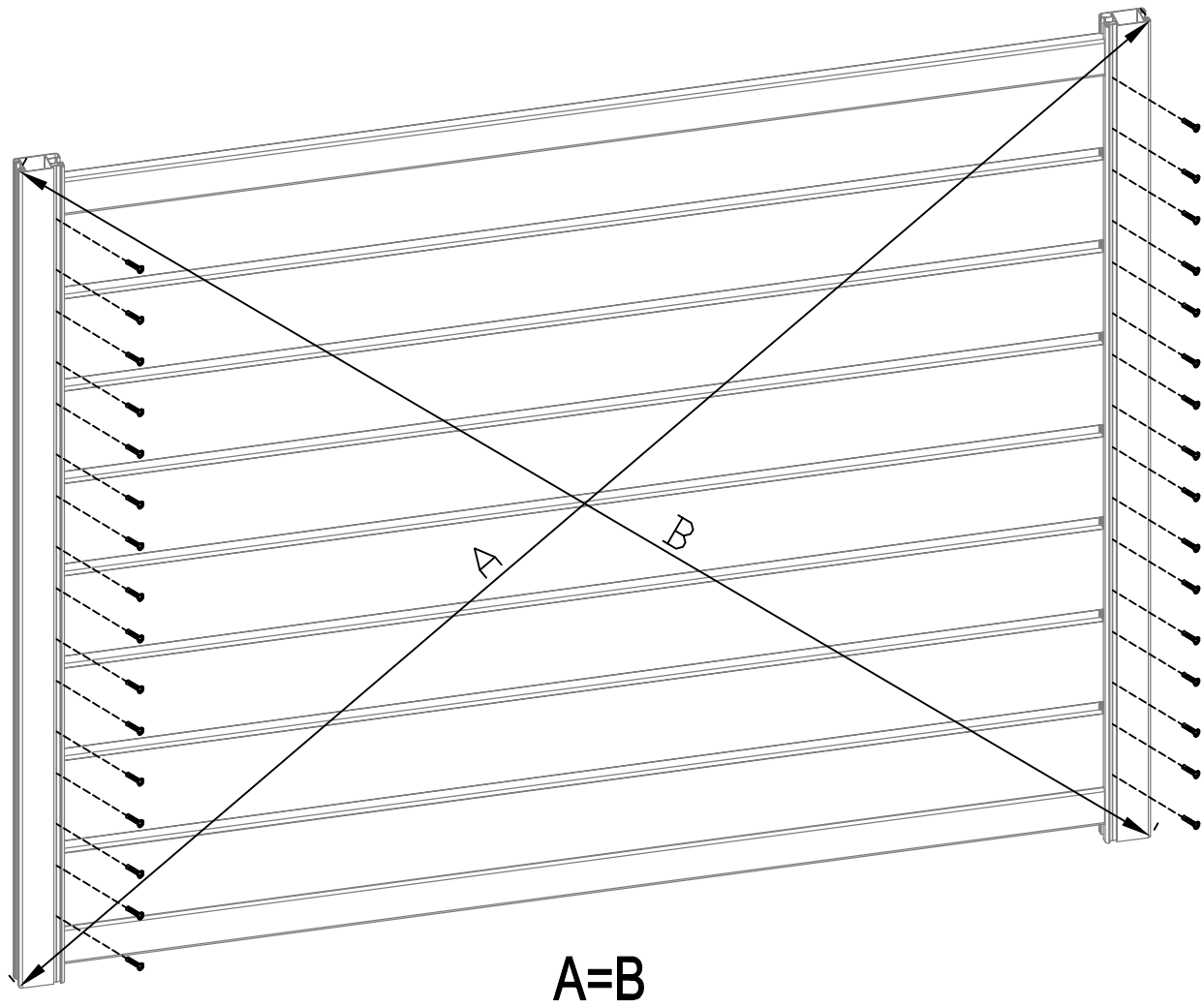
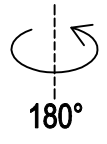
	VT-D4a (+SR-D15)	1
---	------------------	---




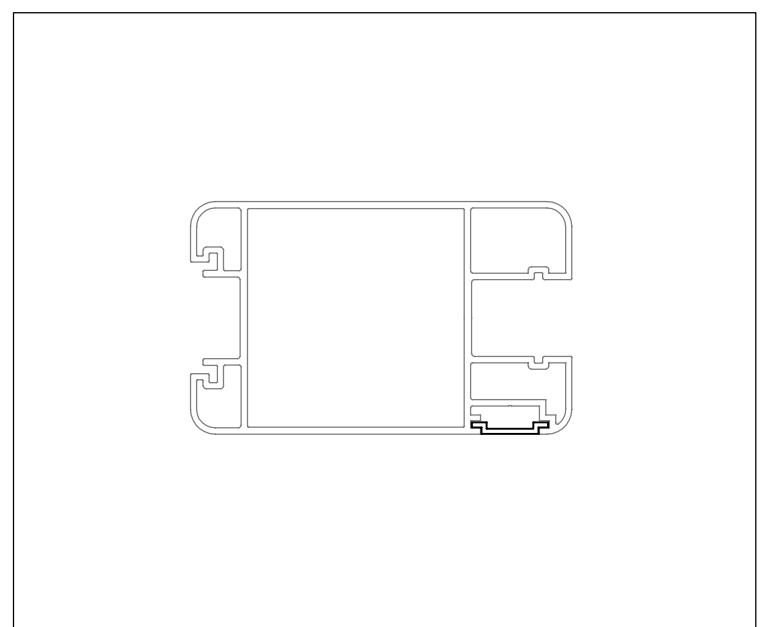
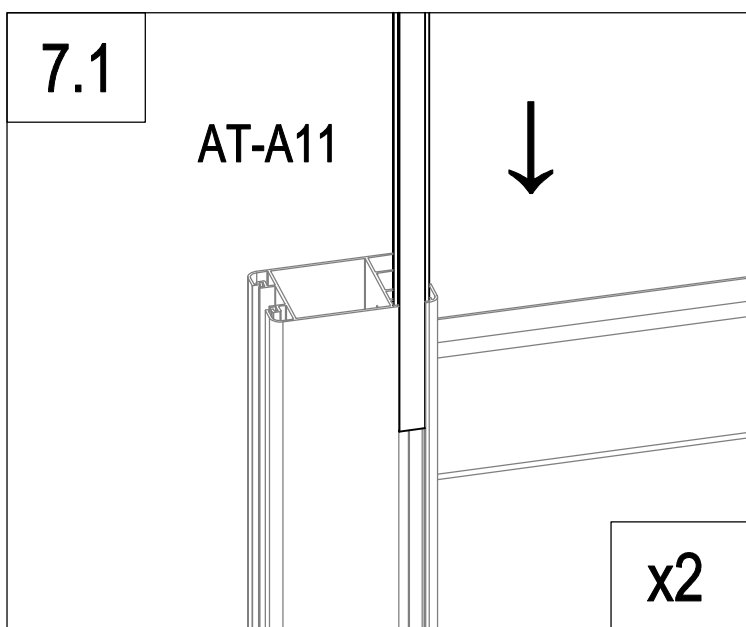
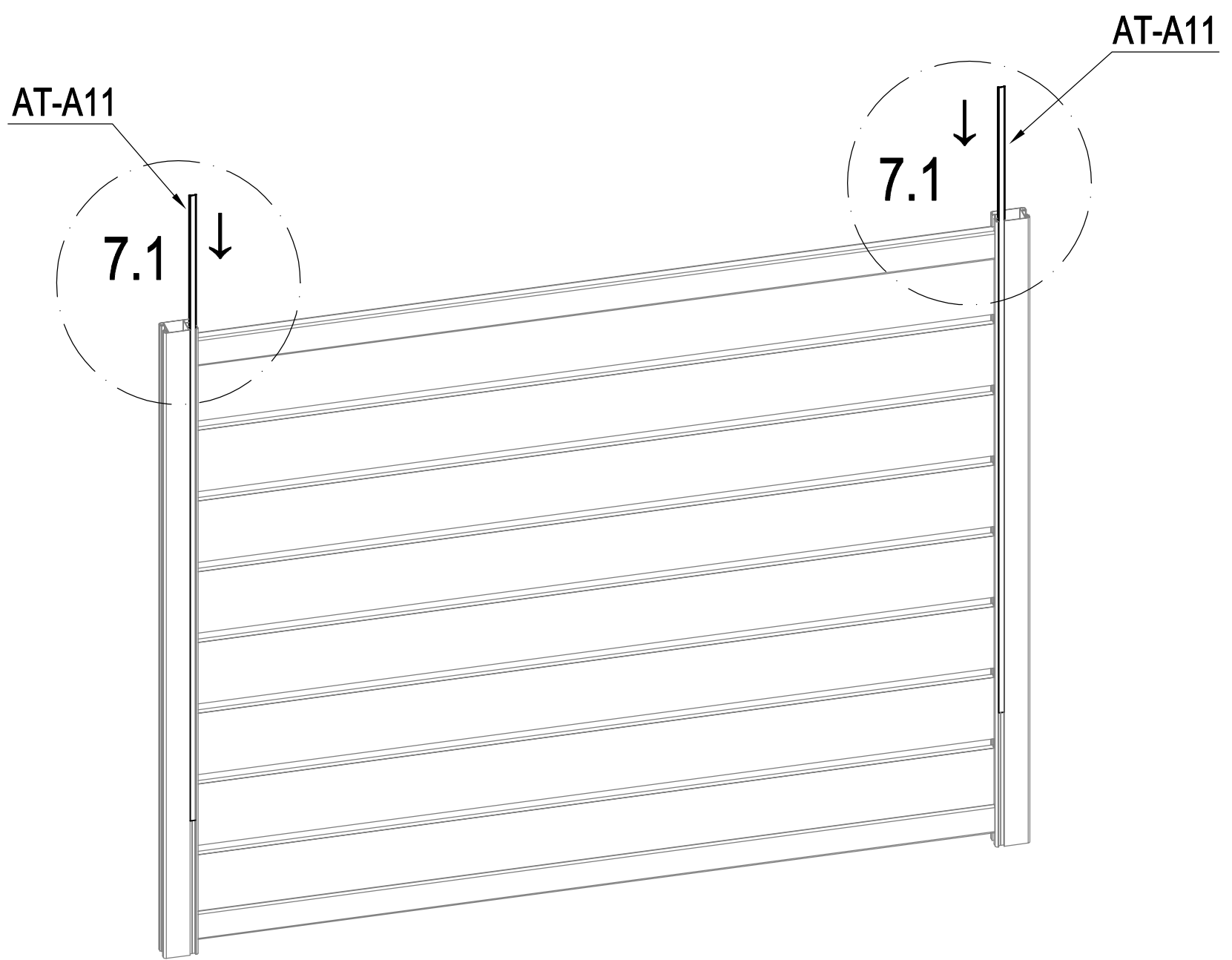
	AT-A1	1
	Dr-28	2
	VT-J33	4

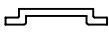


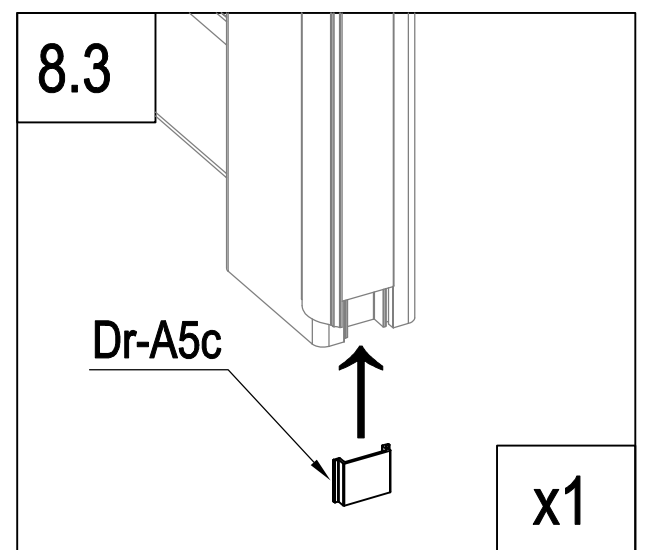
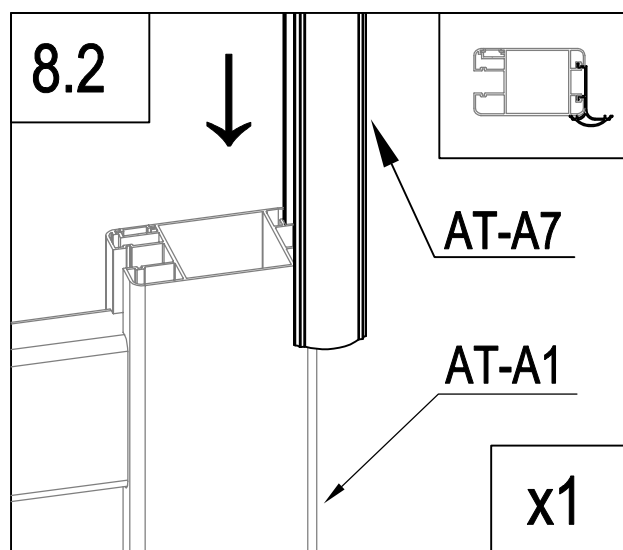
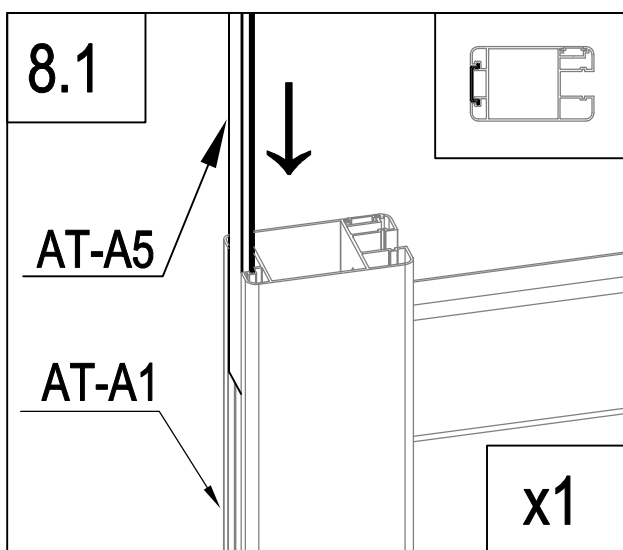
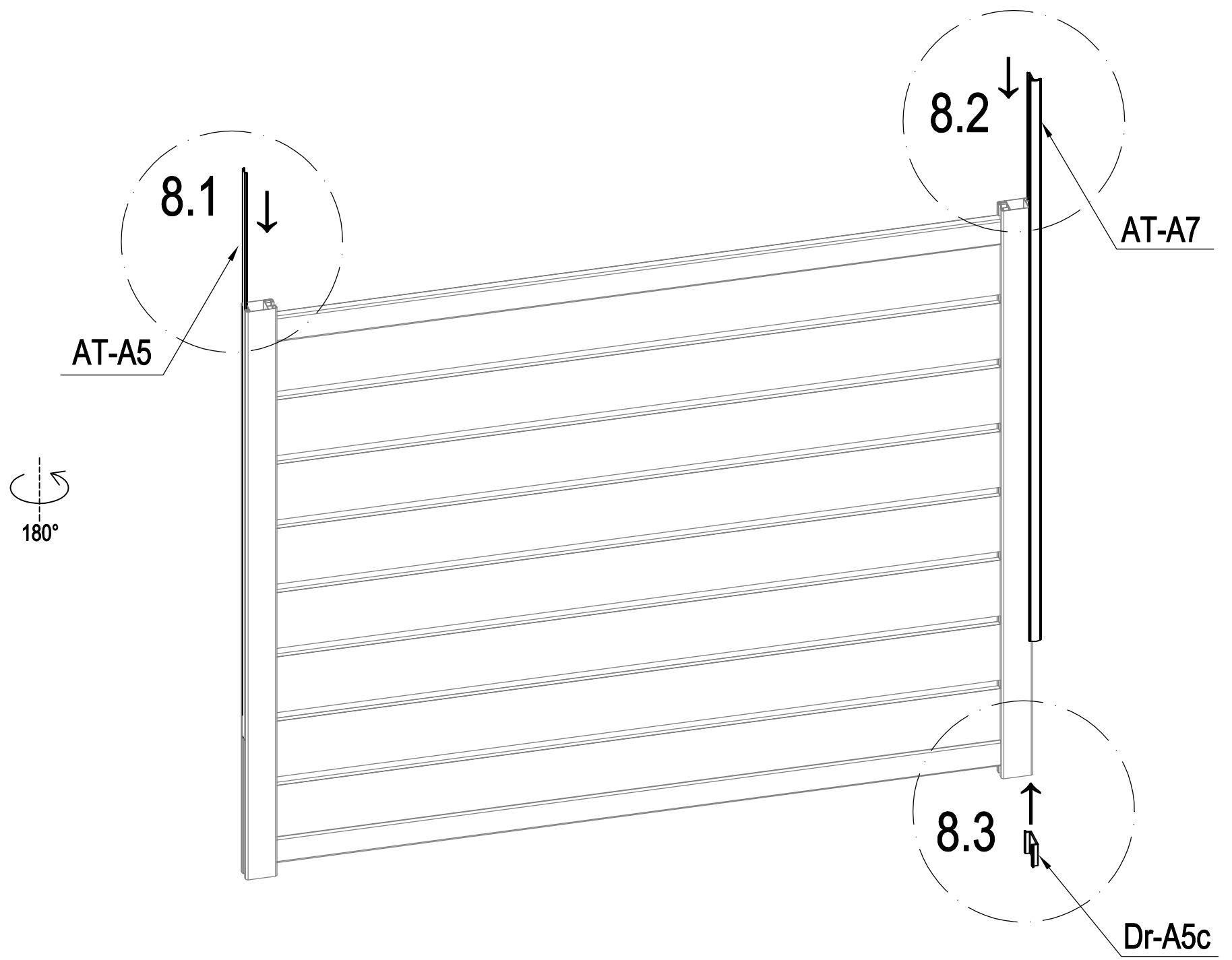
	VT-A6	14
---	-------	----


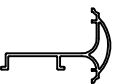


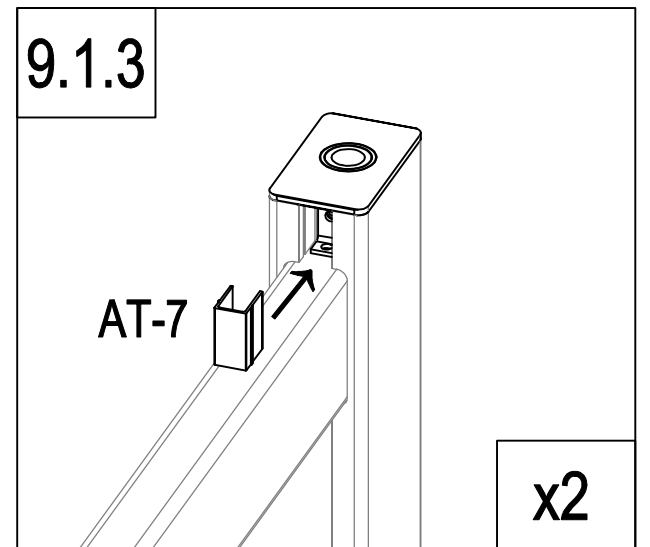
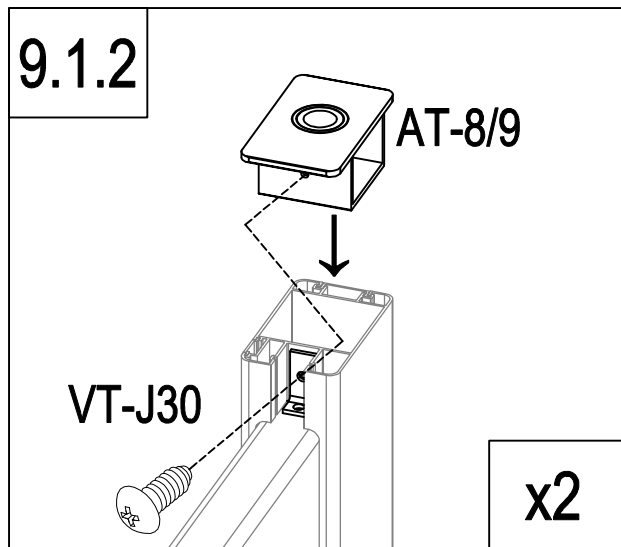
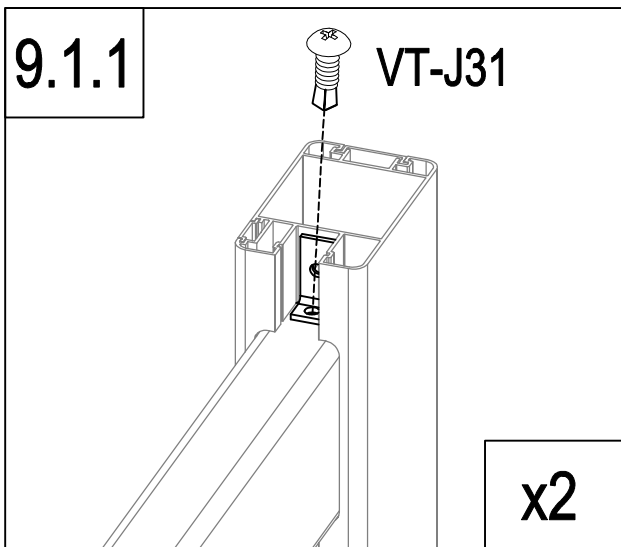
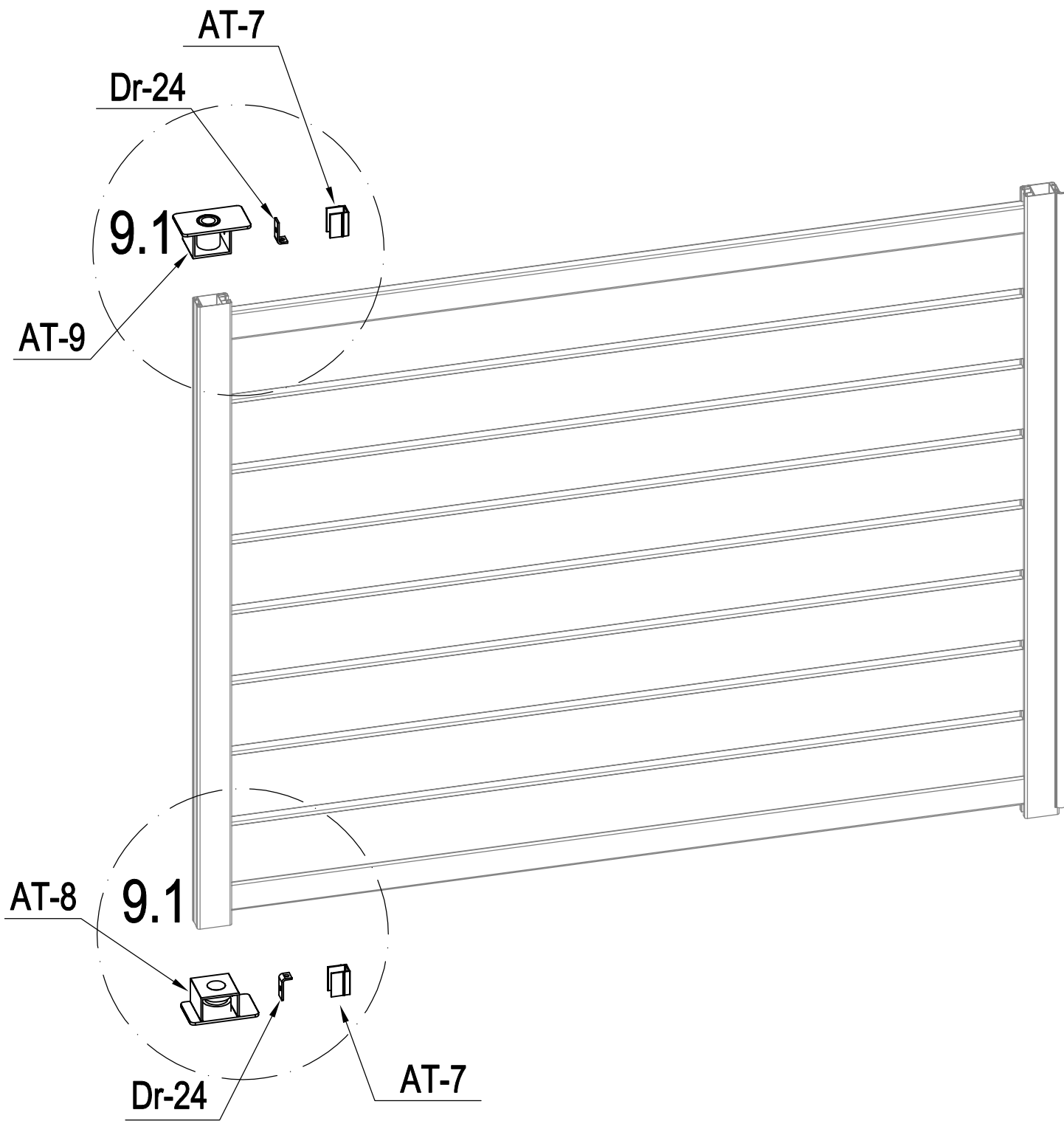
	VT-J36	32
---	--------	----

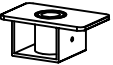






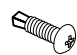
	AT-A11	2
---	--------	---

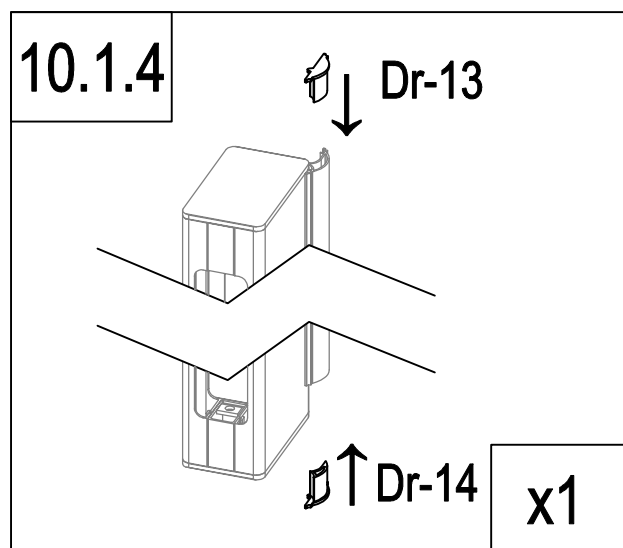
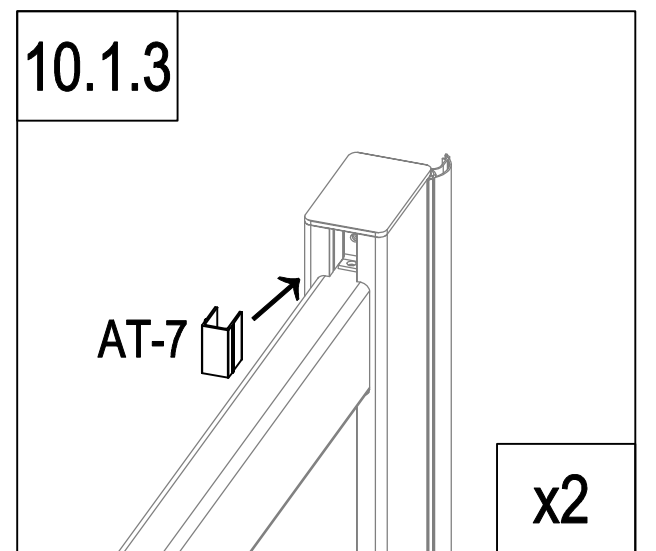
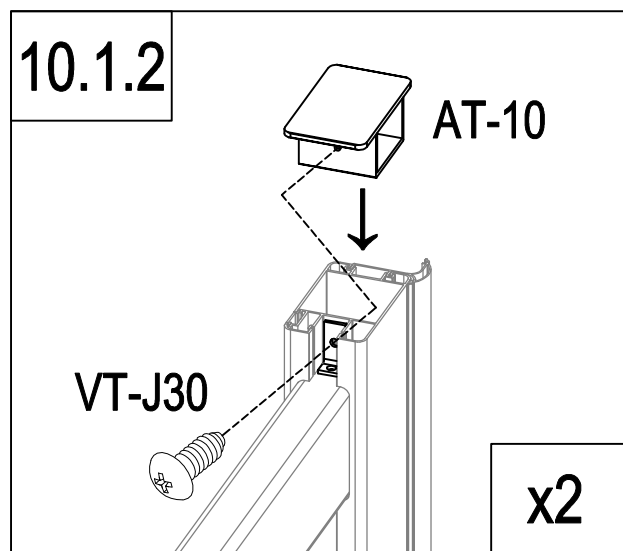
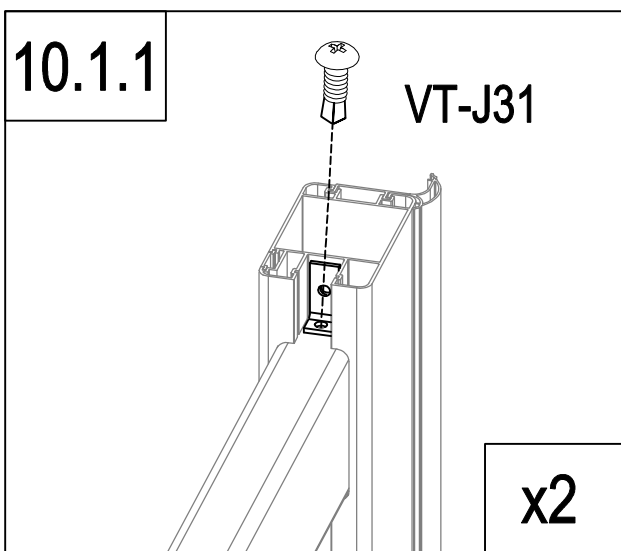
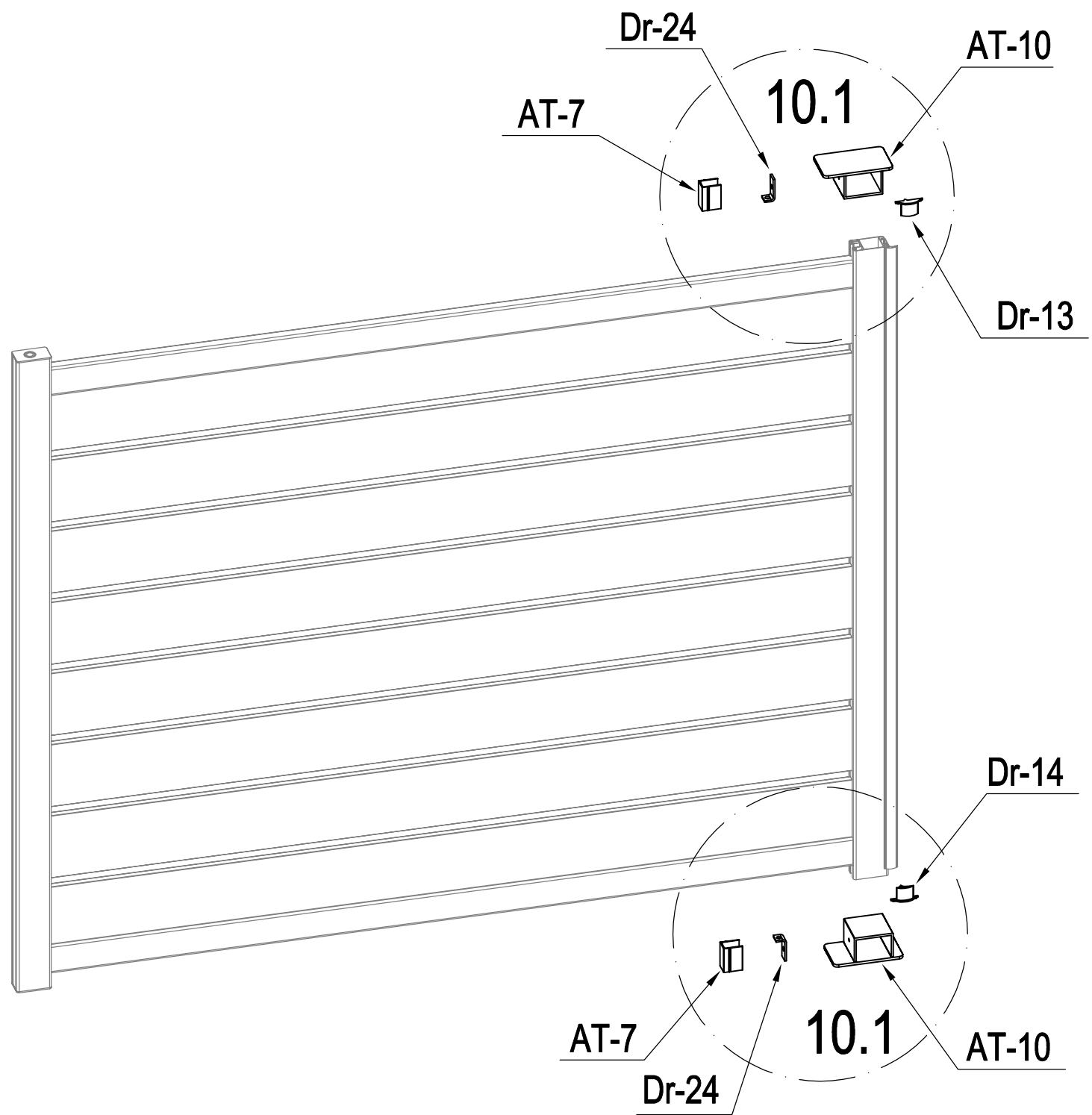


	AT-A5	1
	Dr-A5c	1
	AT-A7	1



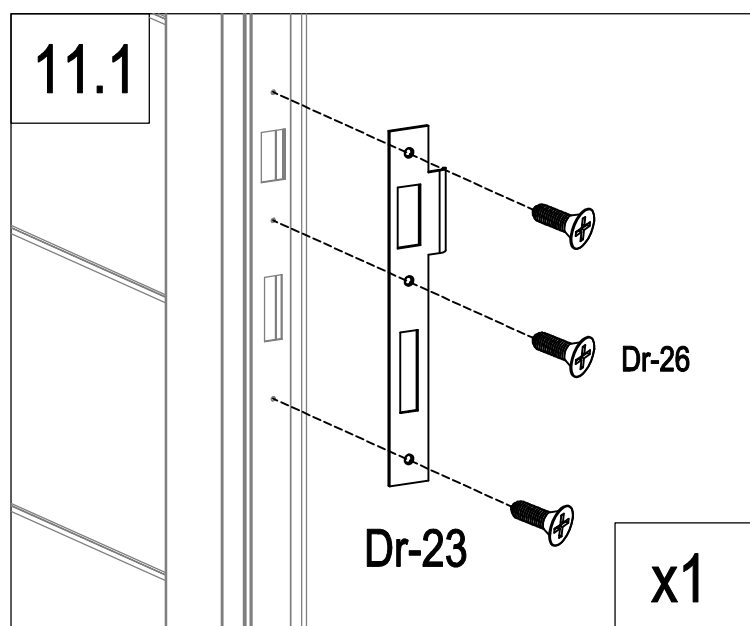
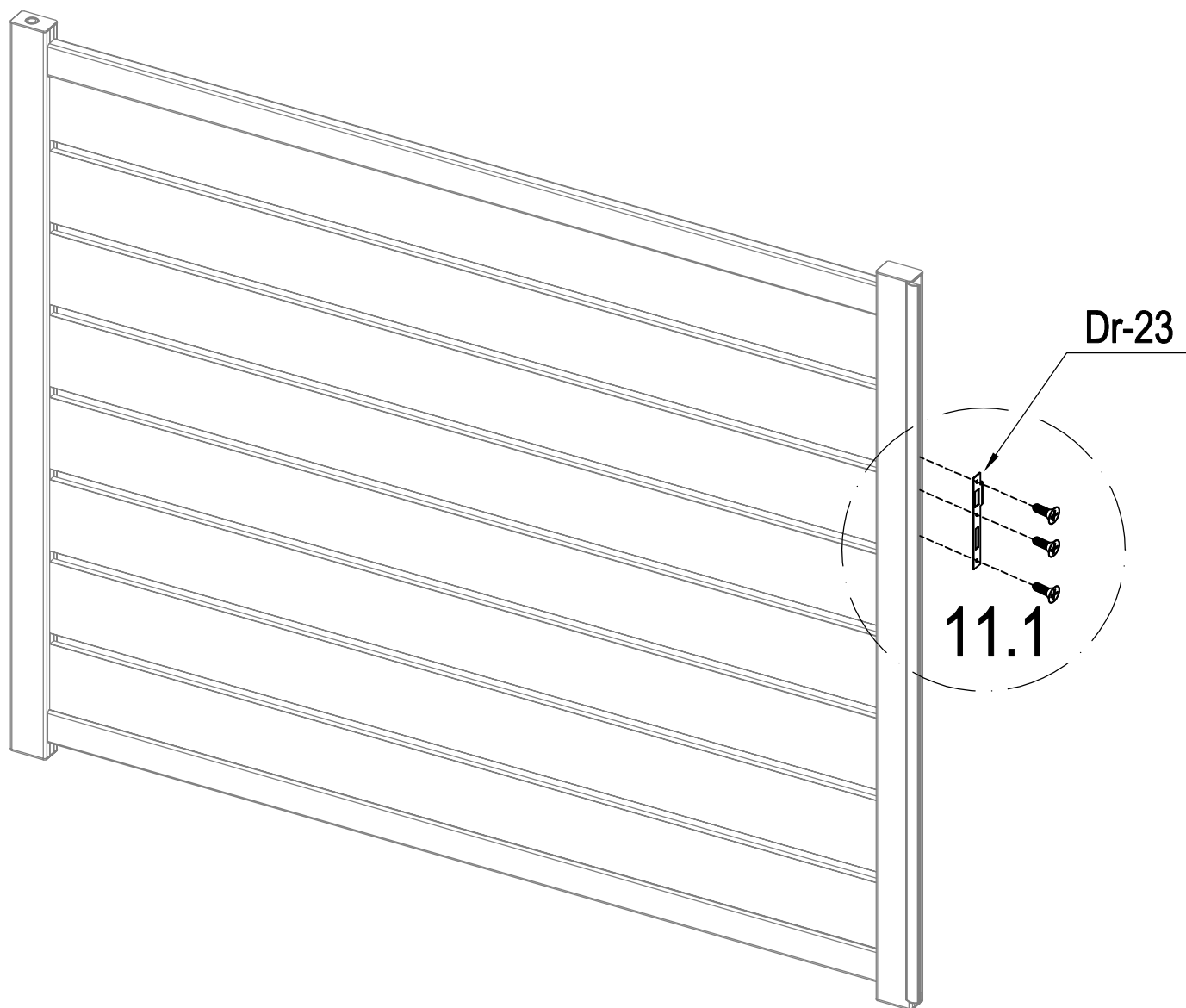
	AT-8	1
	AT-9	1
	Dr-24	2



	AT-7	2
	VT-J30	2
	VT-J31	2

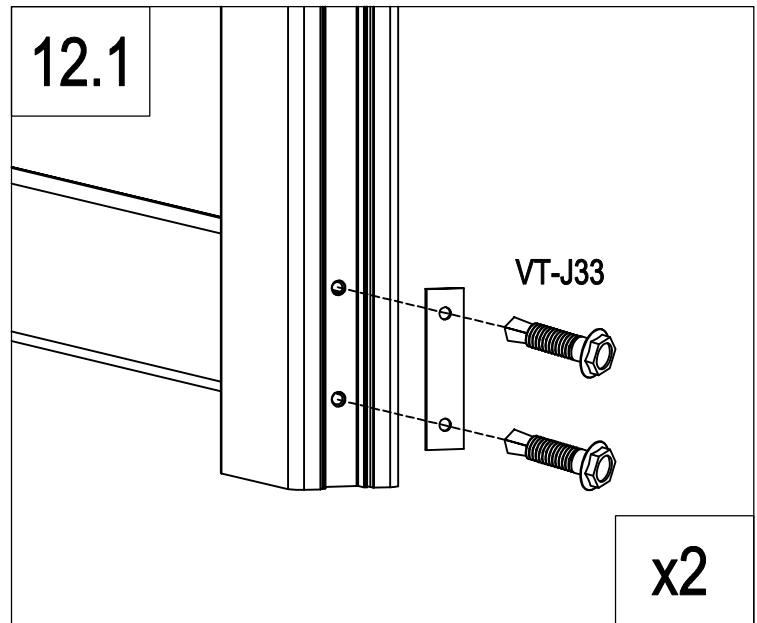
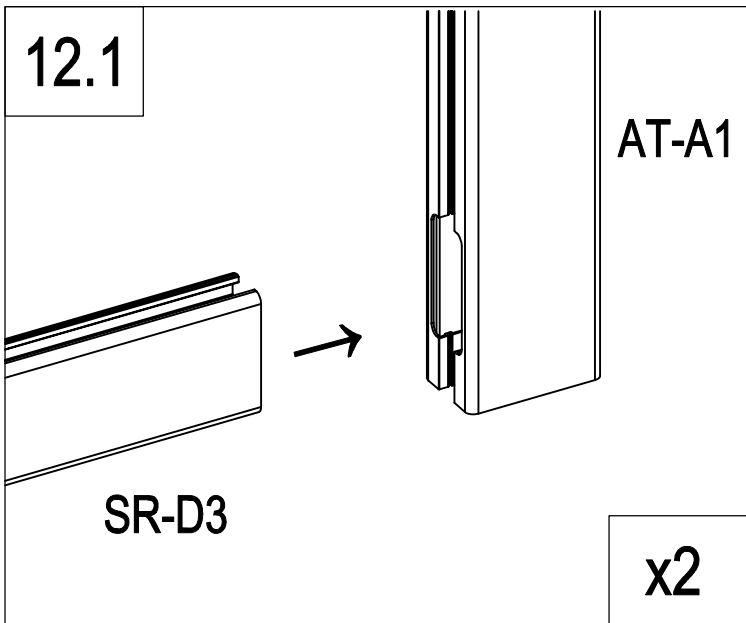
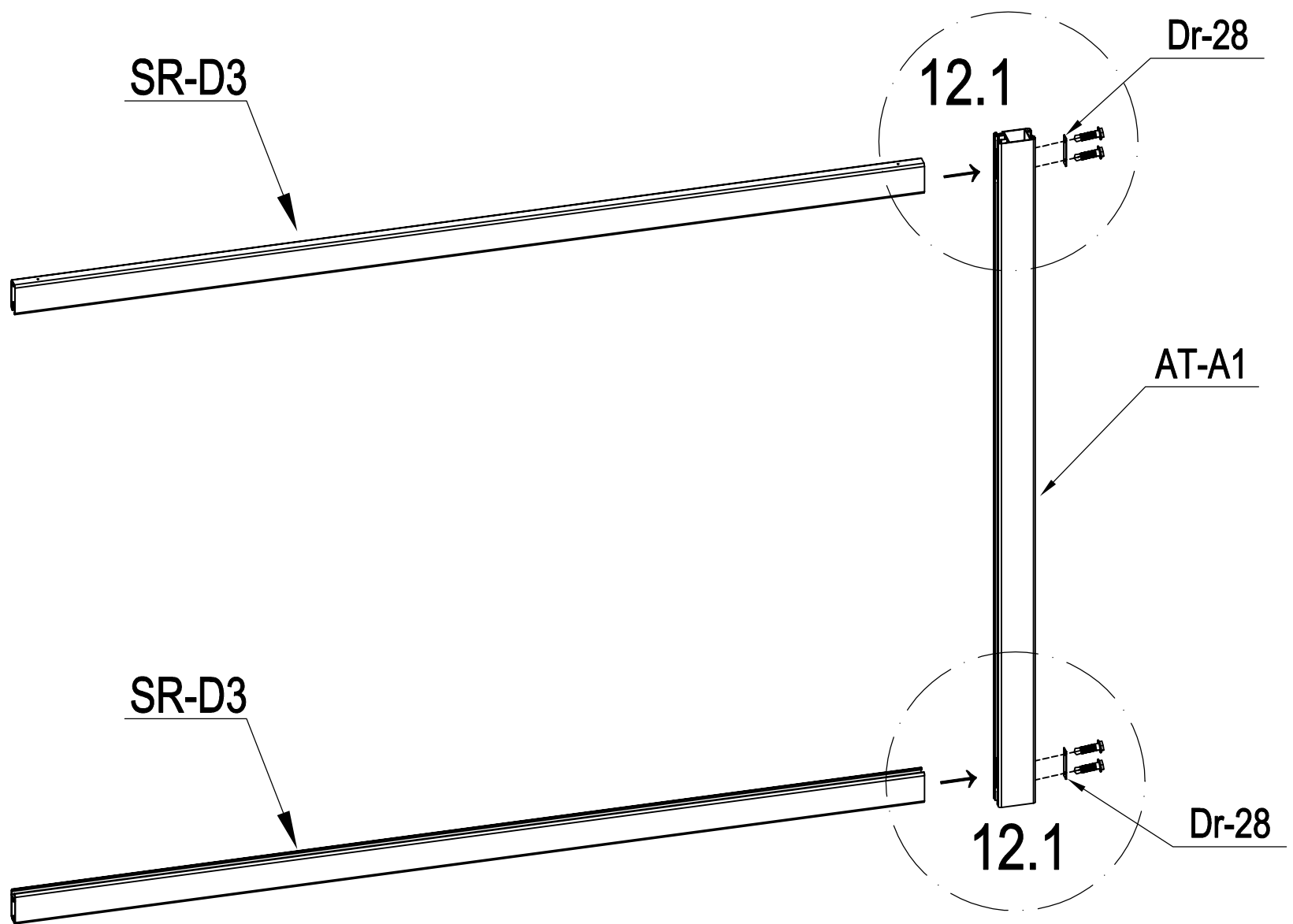


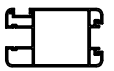
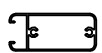


	AT-10	2
	Dr-24	2
	AT-7	2
	Dr-13	1

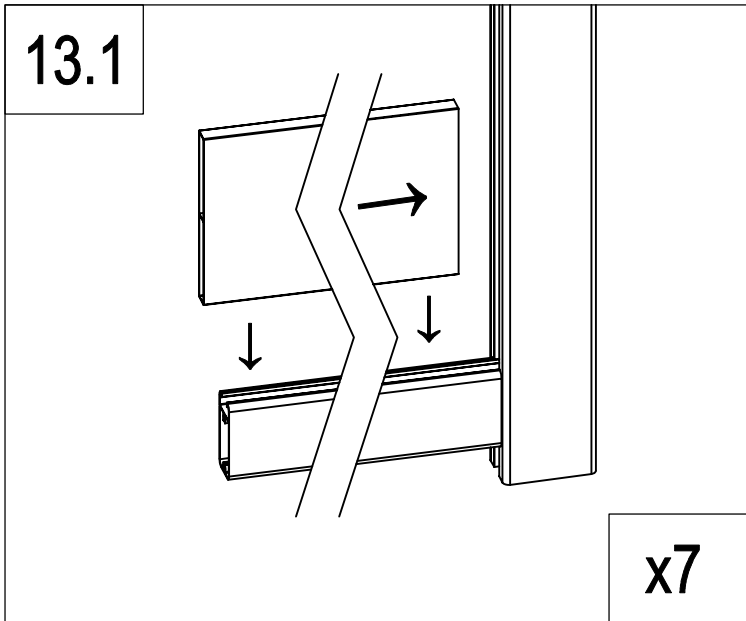
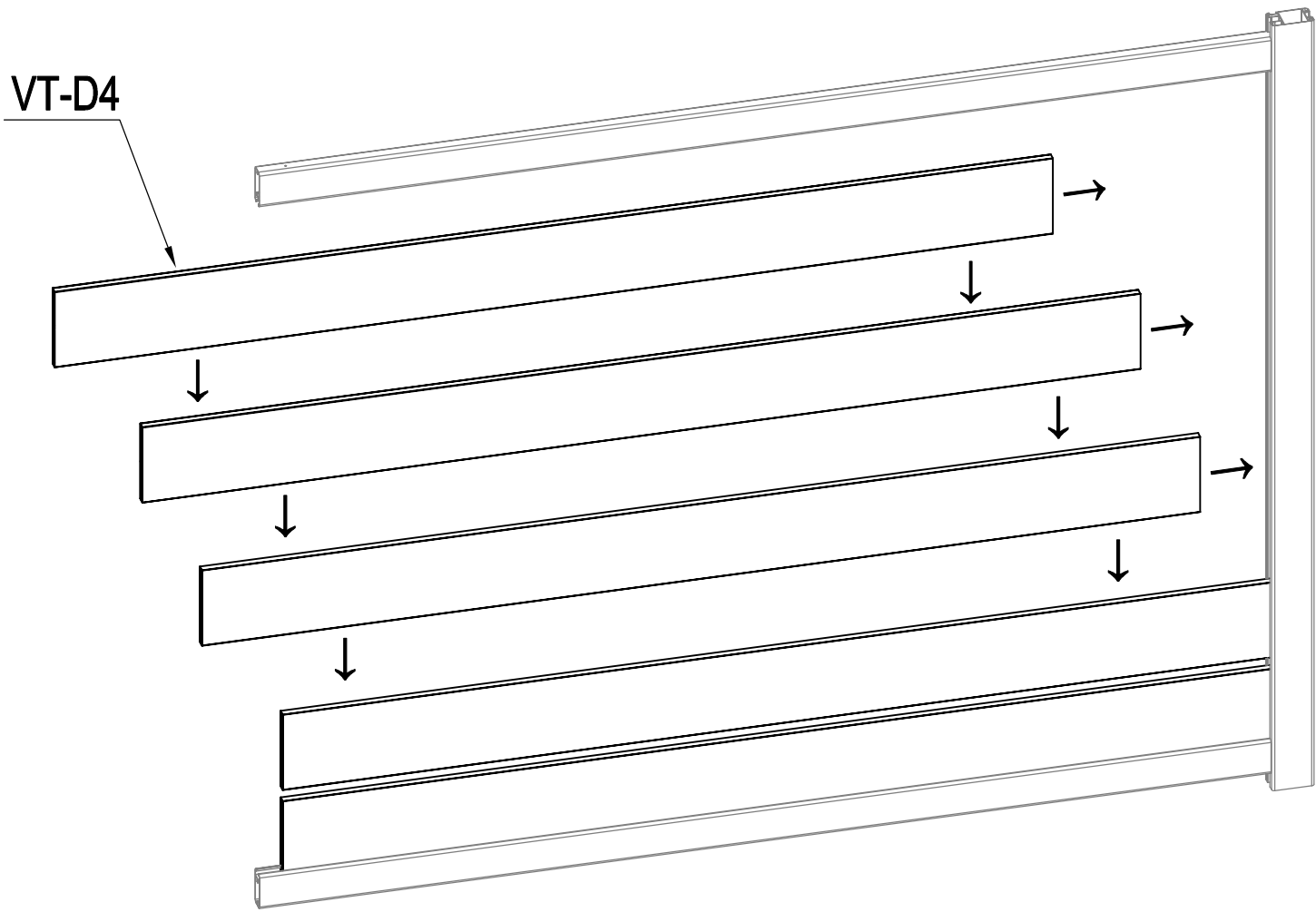
	Dr-14	1
	VT-J30	2
	VT-J31	2



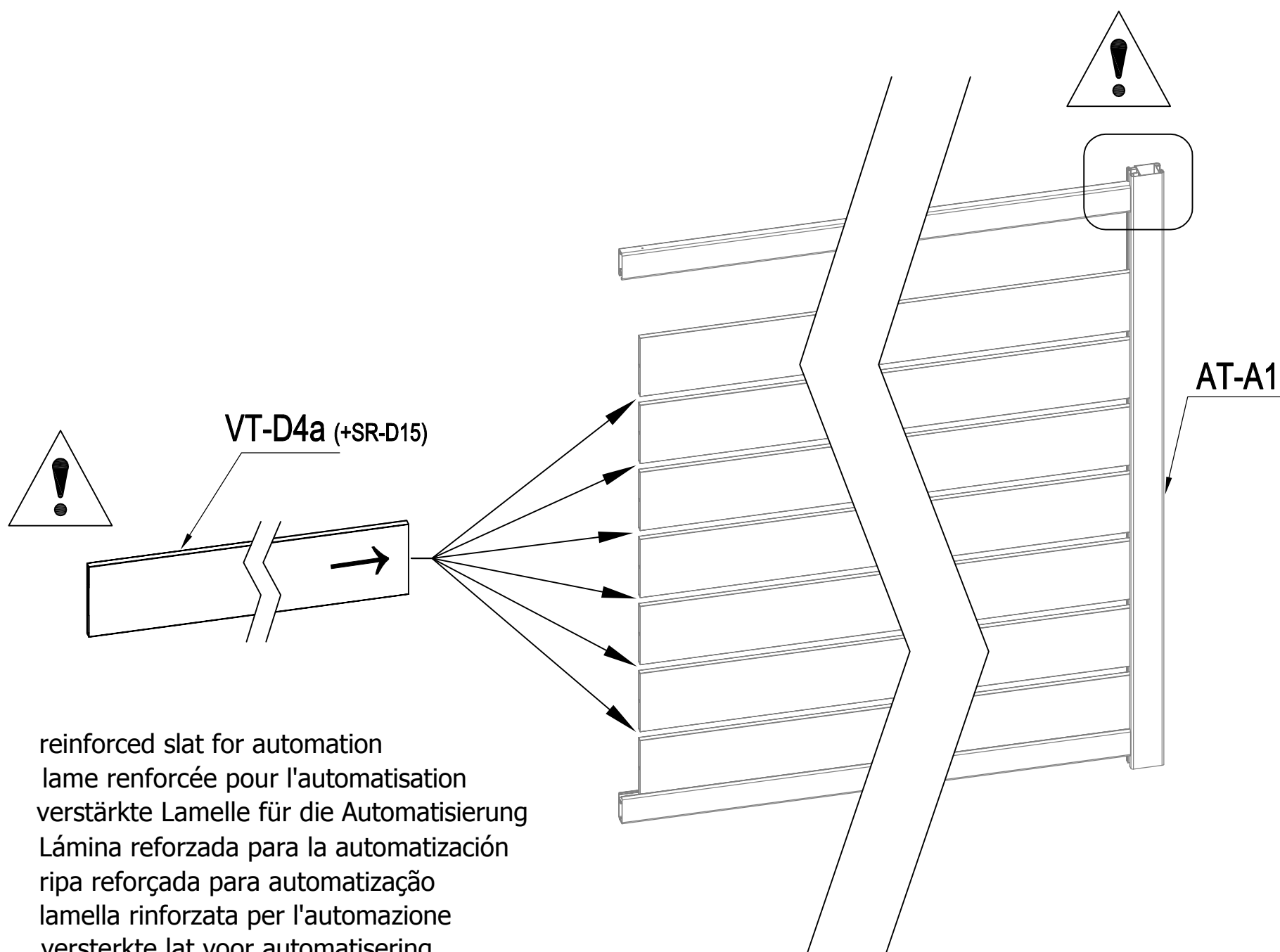
	Dr-23	1
	Dr-26	3



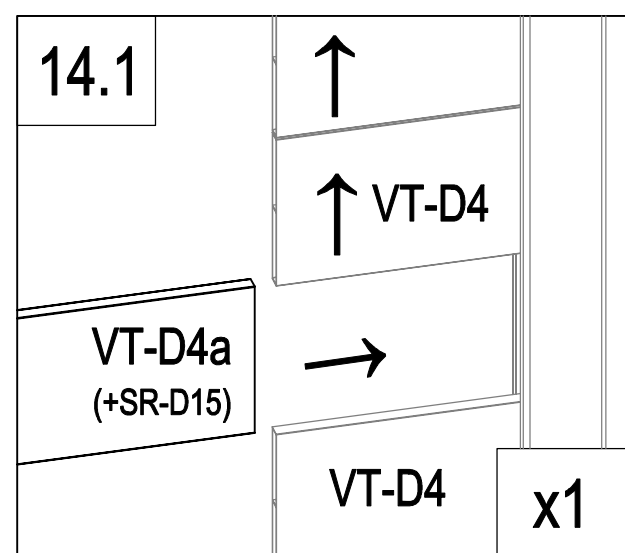
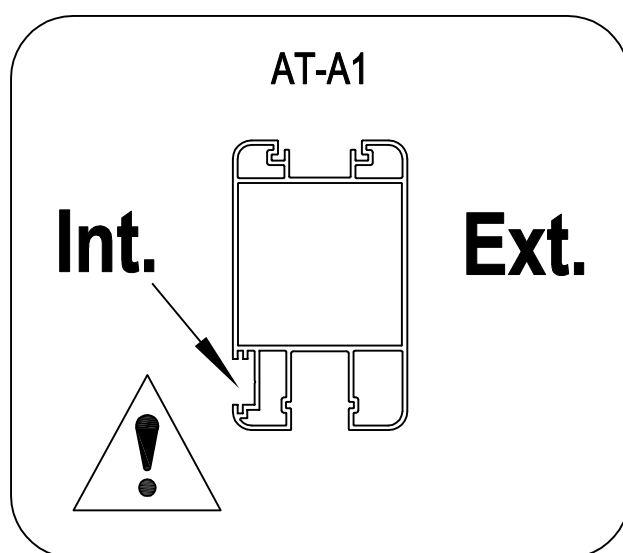
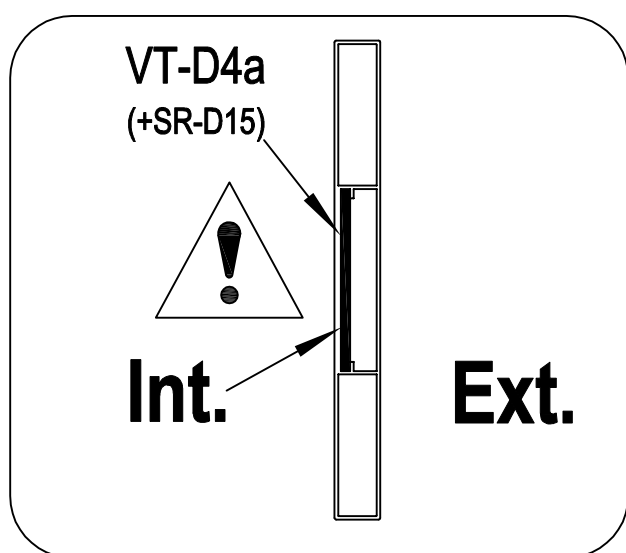
	AT-A1	1
	SR-D3	2
	Dr-28	2
	VT-J33	4




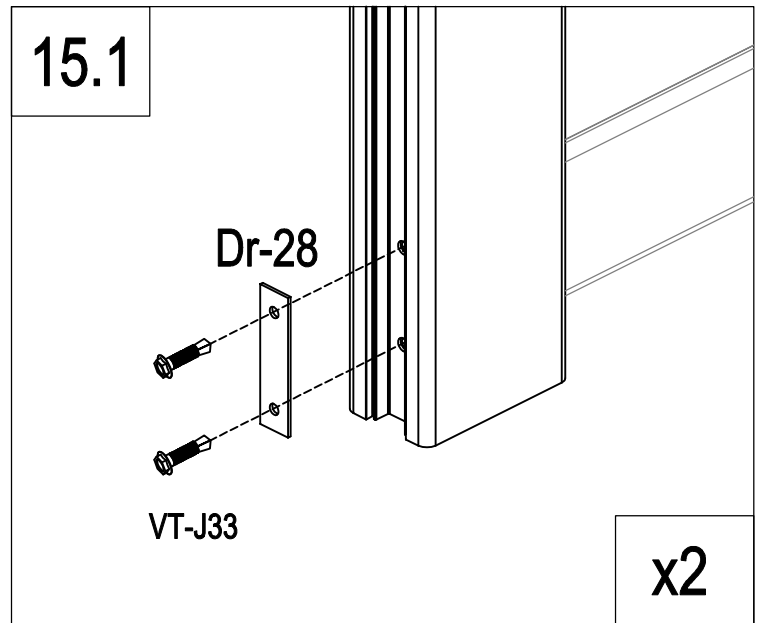
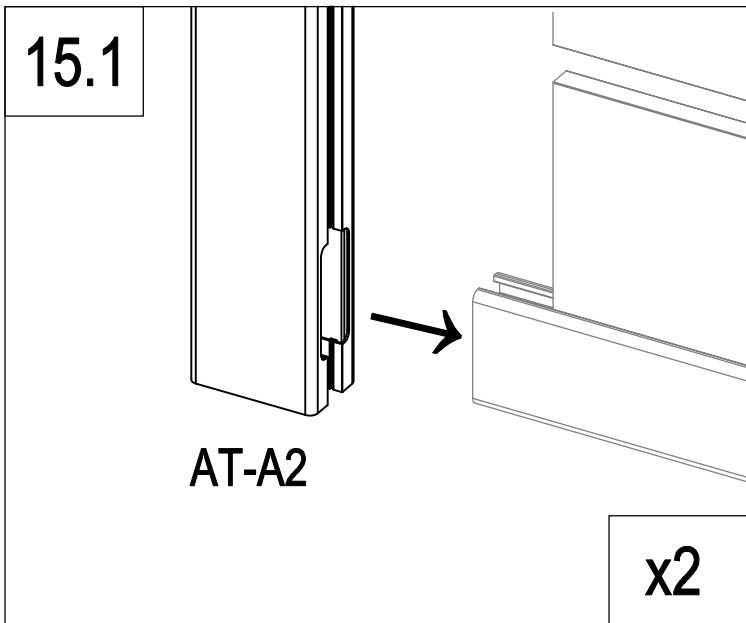
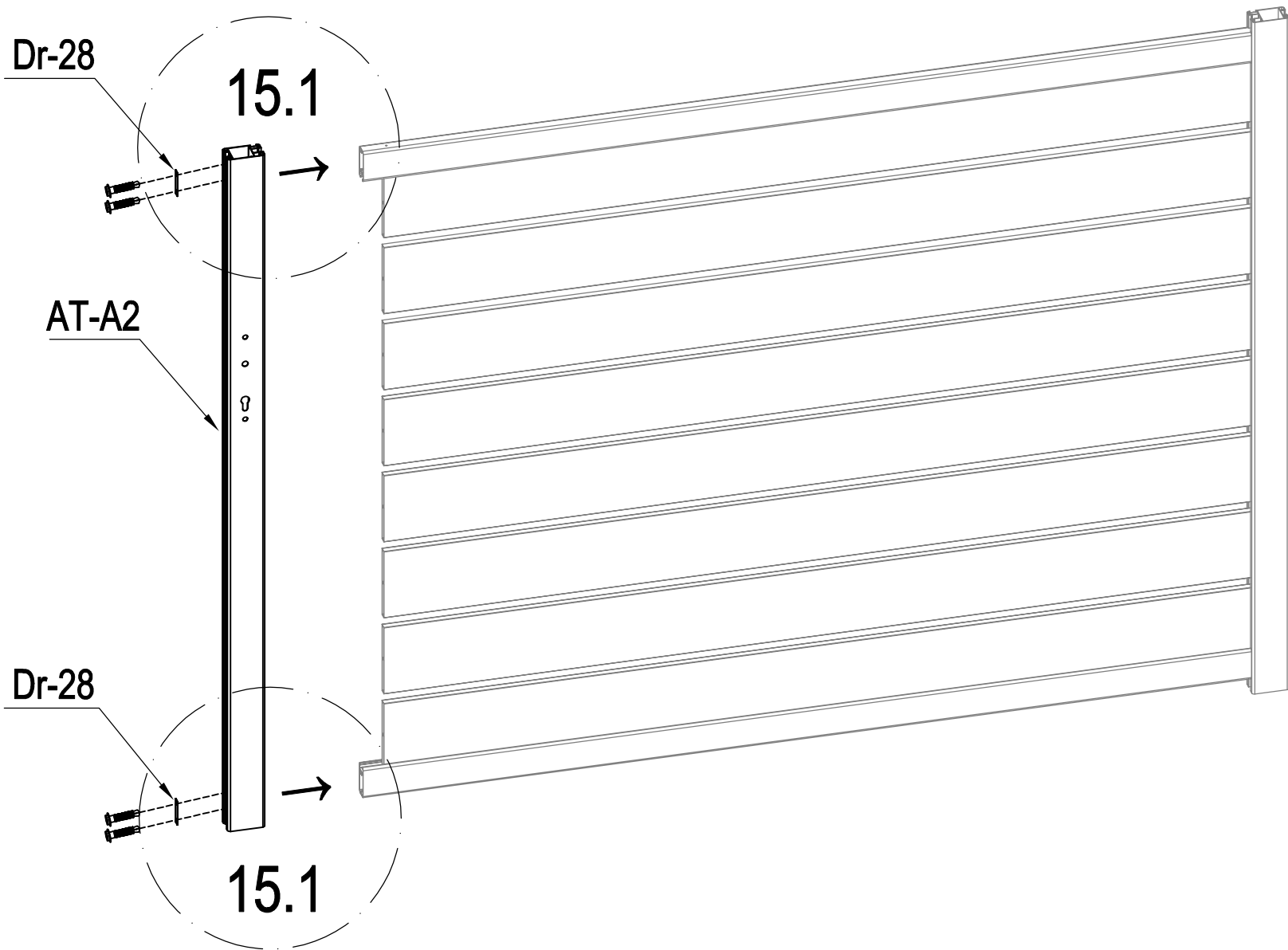
	VT-D4	7
---	-------	---

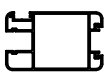

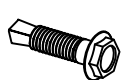


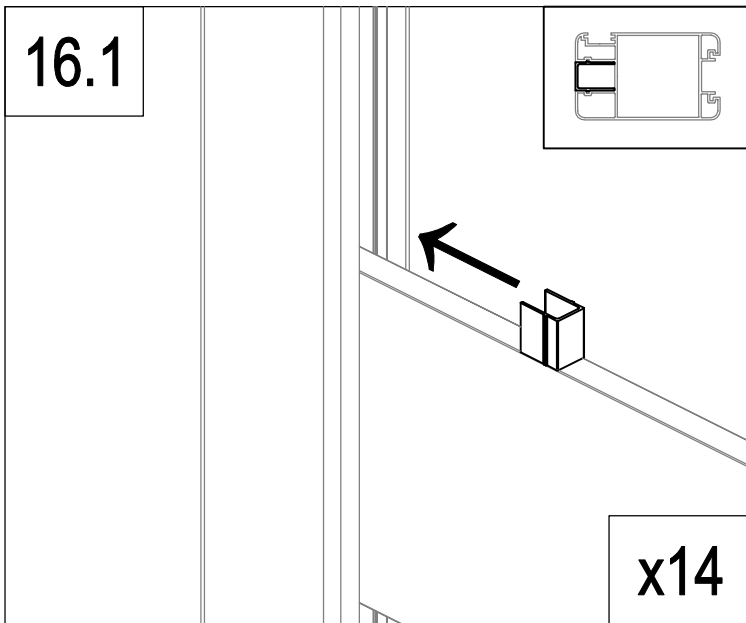
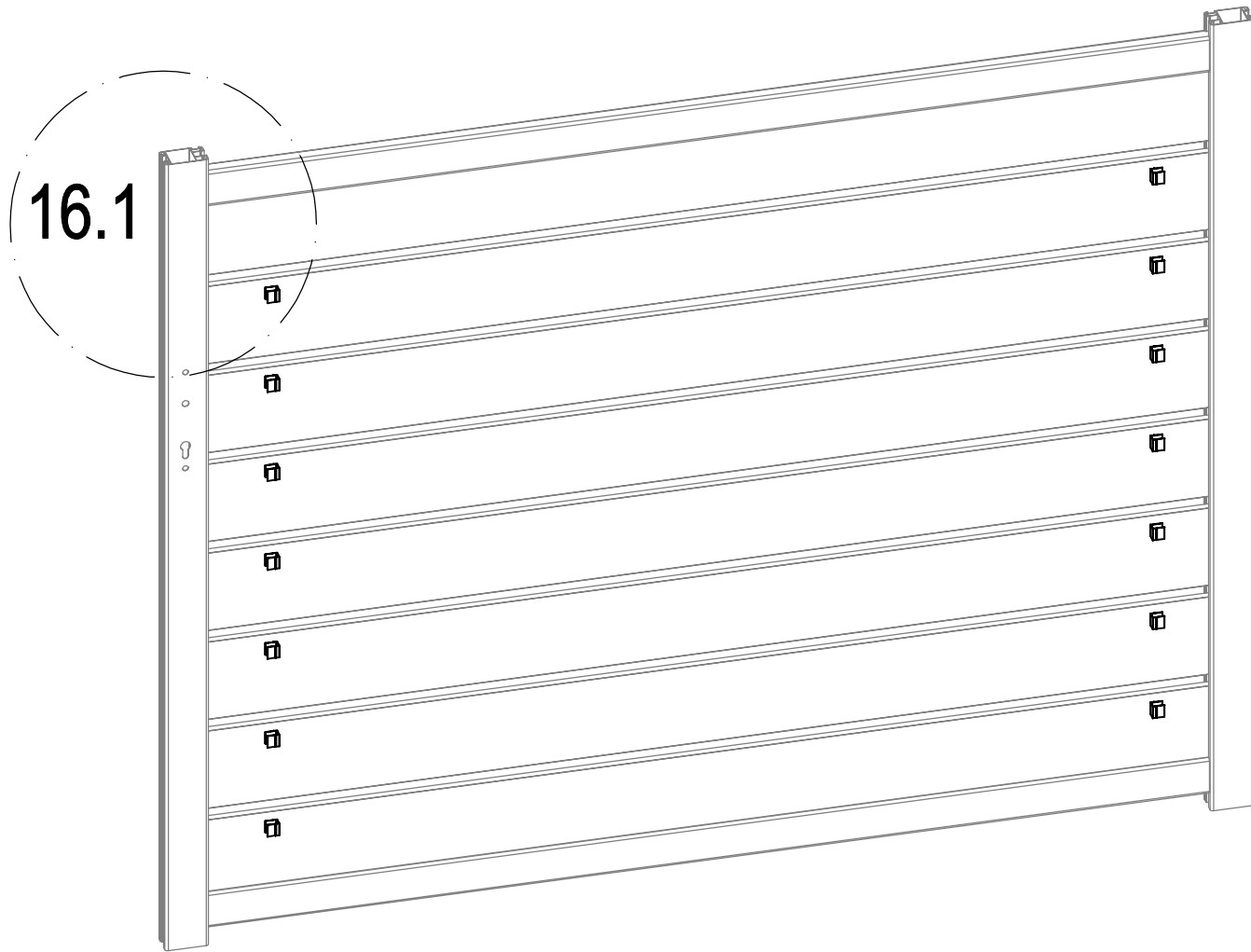
- EN: reinforced slat for automation
- FR: lame renforcée pour l'automatisation
- DE: verstärkte Lamelle für die Automatisierung
- ES: Lámina reforzada para la automatización
- PT: ripa reforçada para automatização
- IT: lamella rinforzata per l'automazione
- NL: versterkte lat voor automatisering
- PL: wzmocniona listwa do automatyzacji

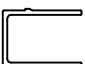


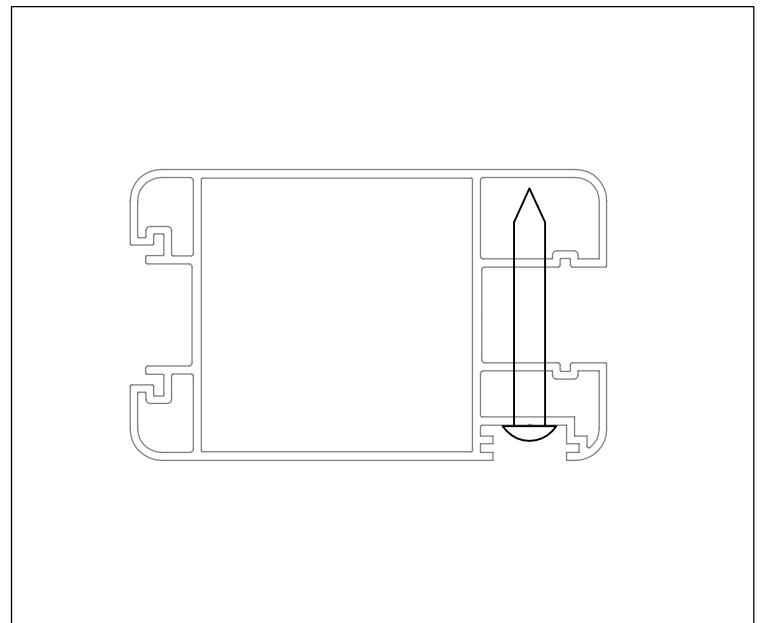
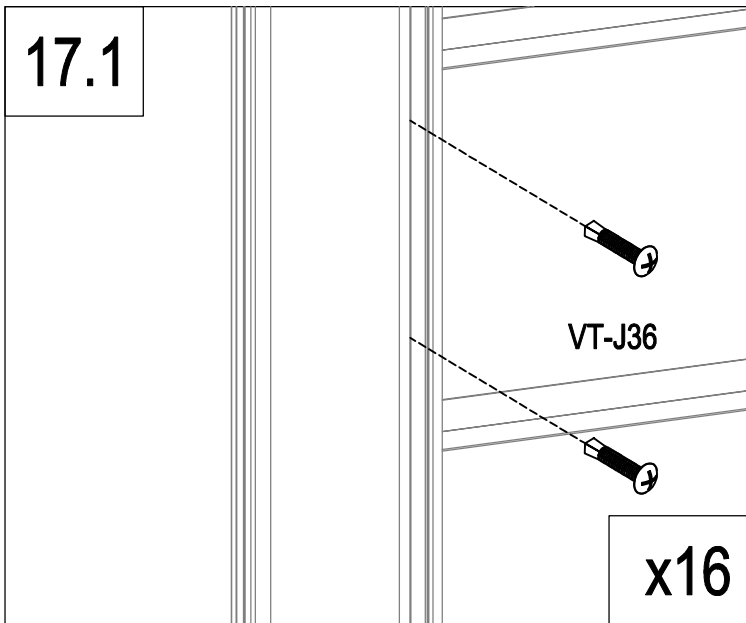
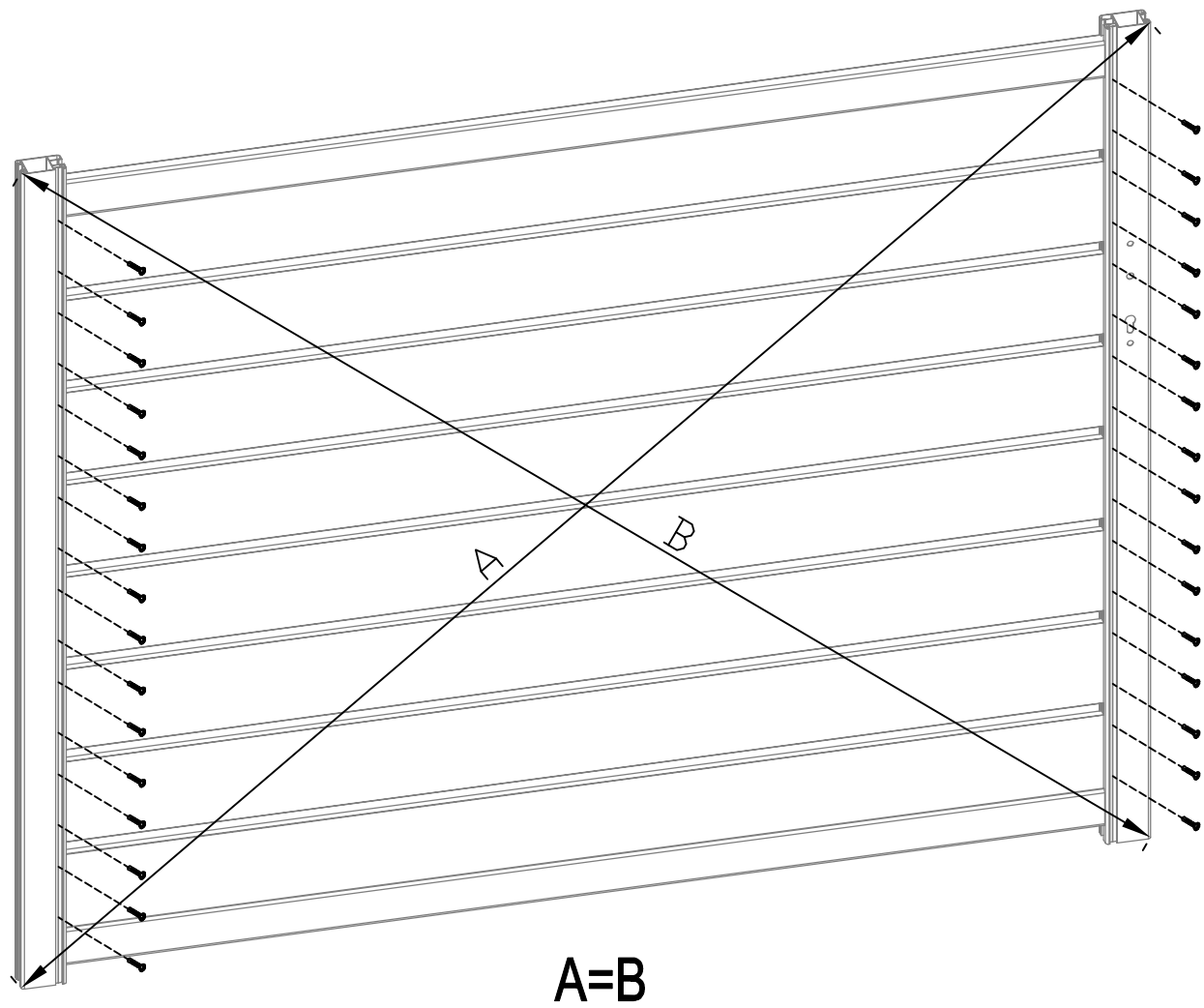
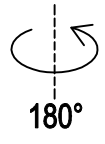
	VT-D4a (+SR-D15)	1
---	------------------	---




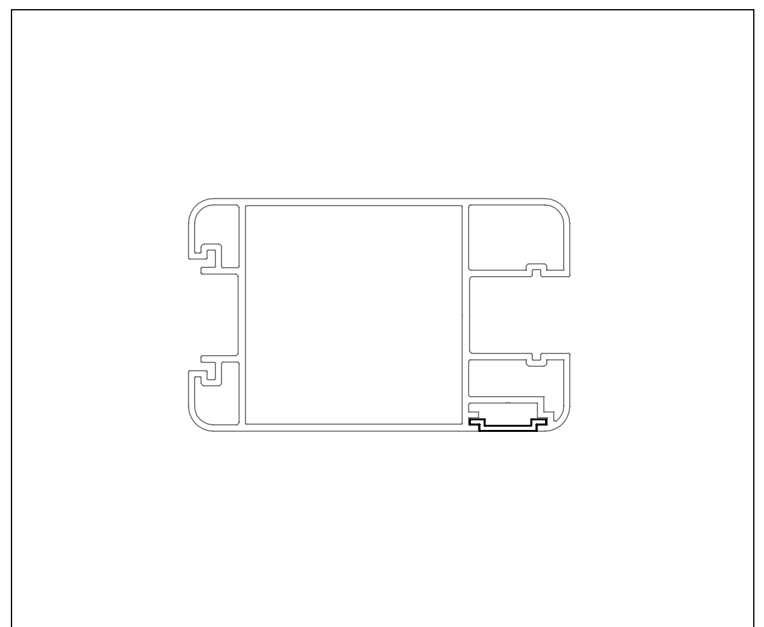
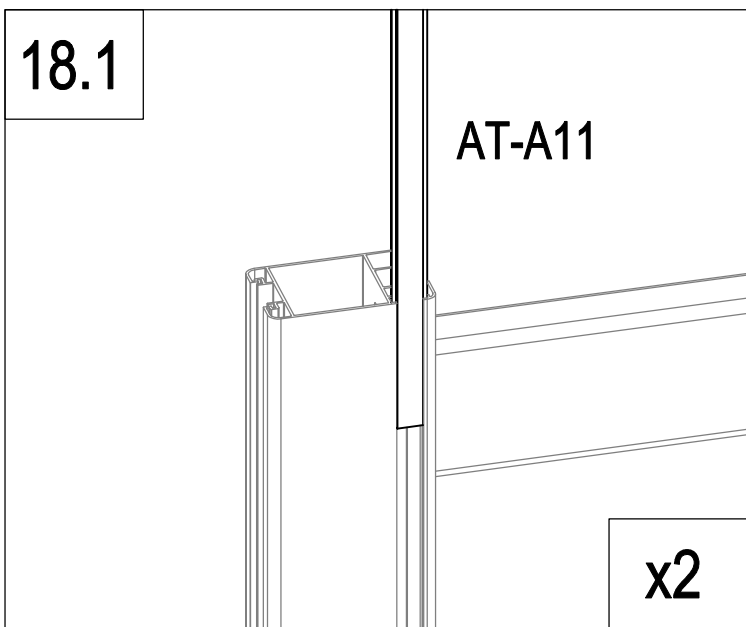
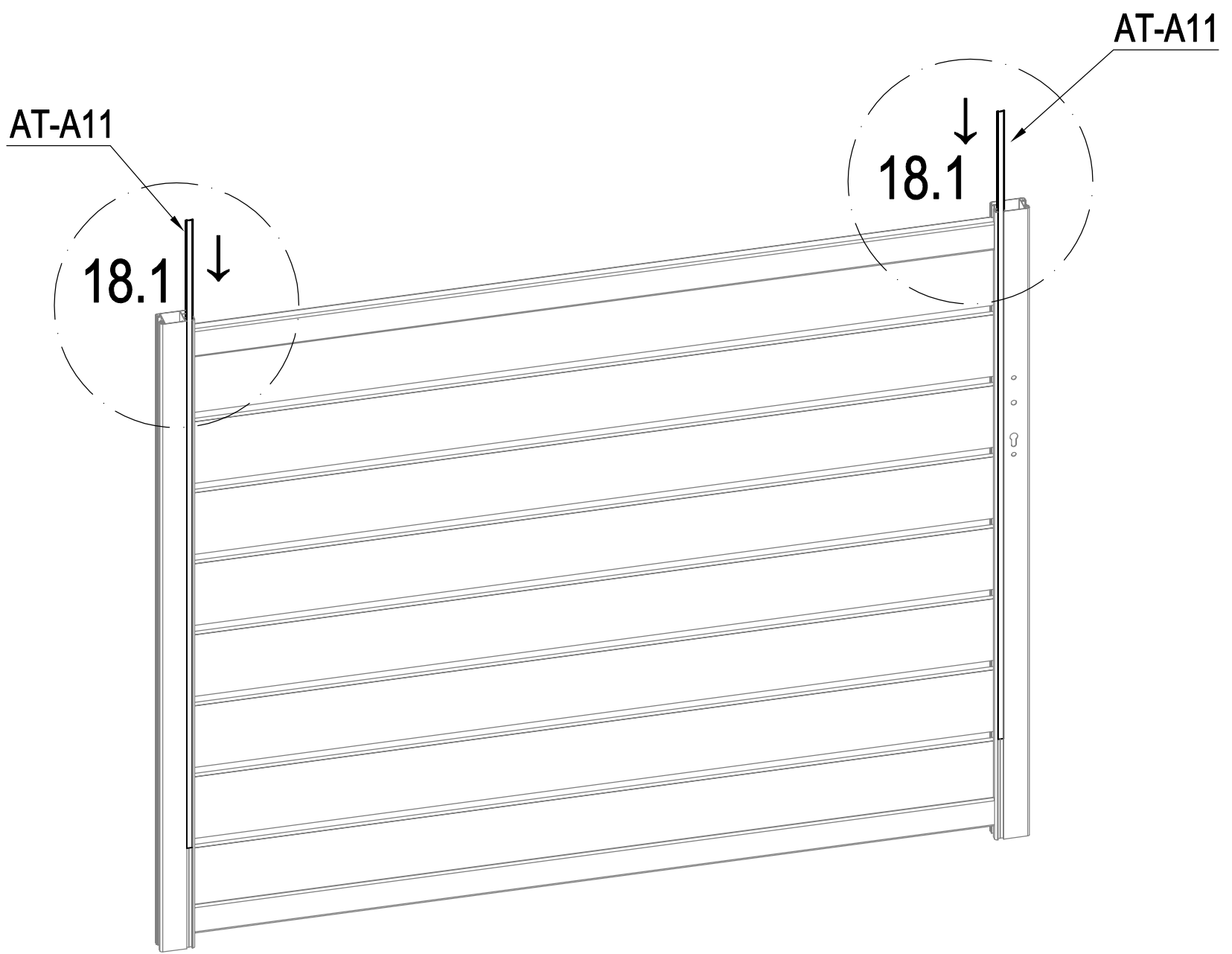
	AT-A2	1
	Dr-28	2
	VT-J33	4

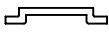


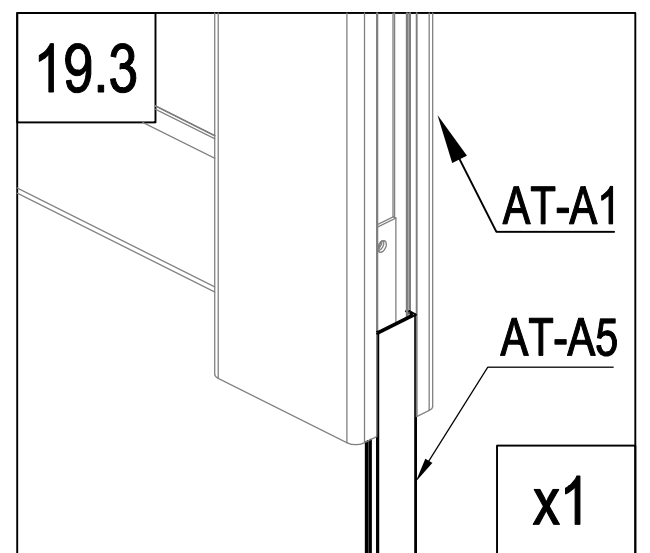
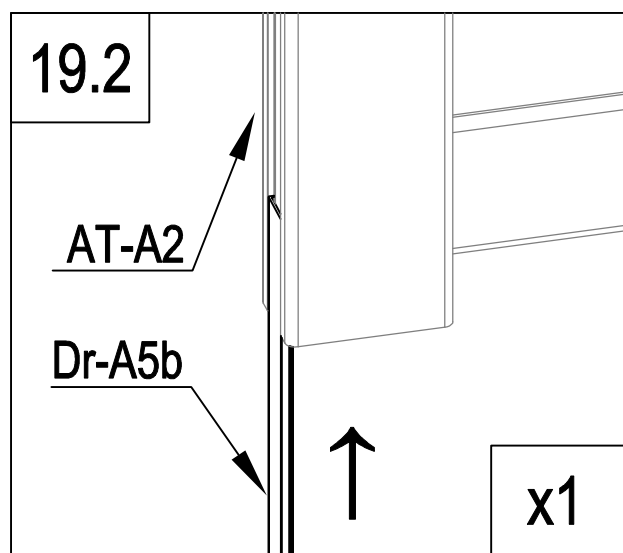
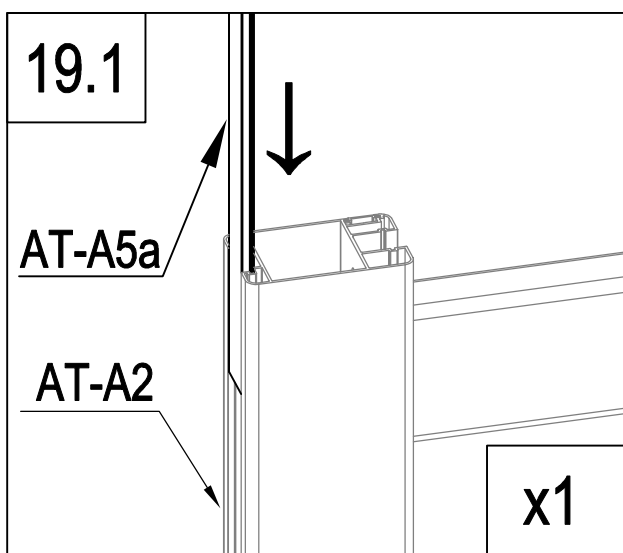
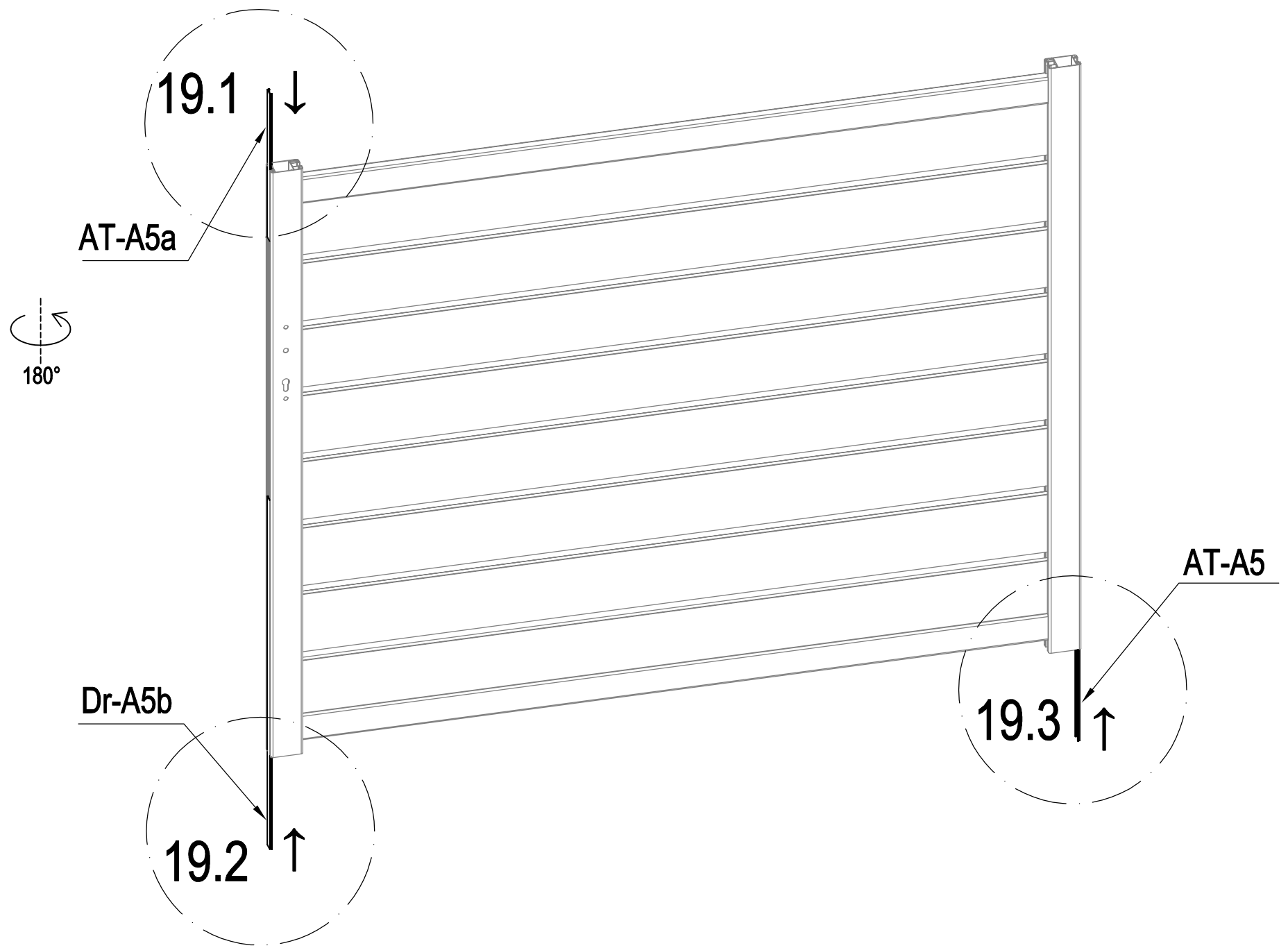
	VT-A6	14
---	-------	----



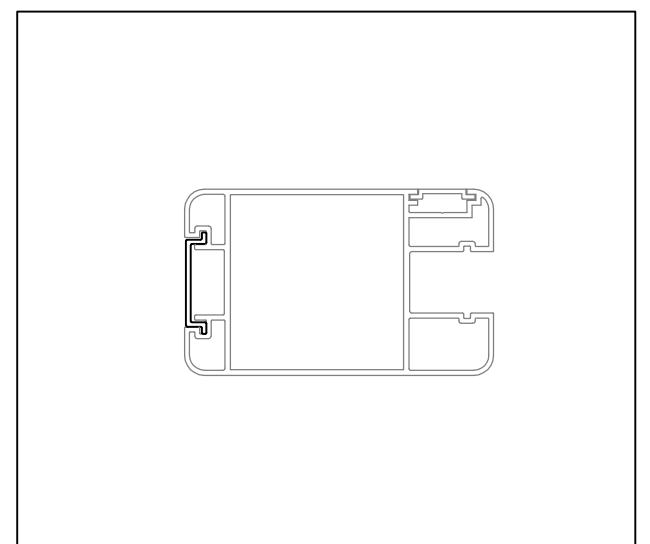
	VT-J36	32
---	--------	----

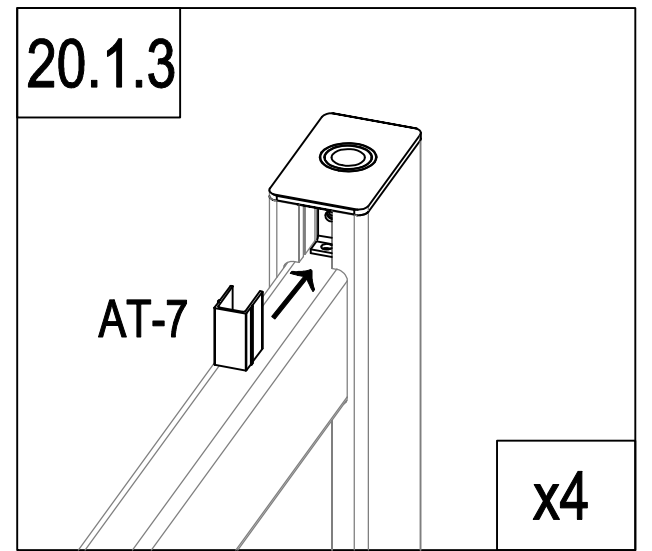
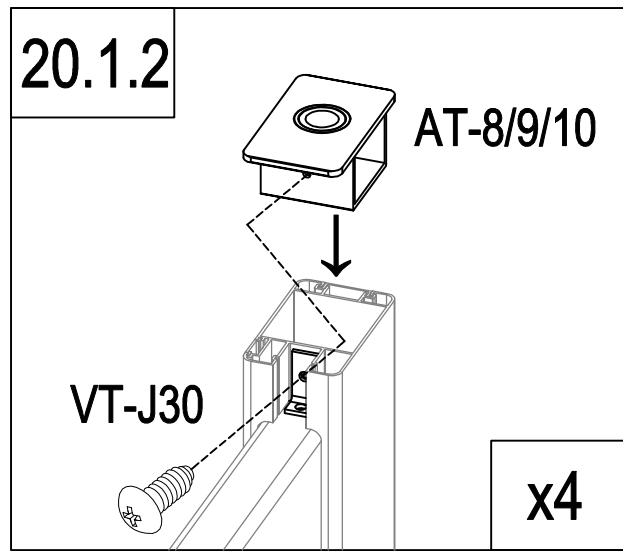
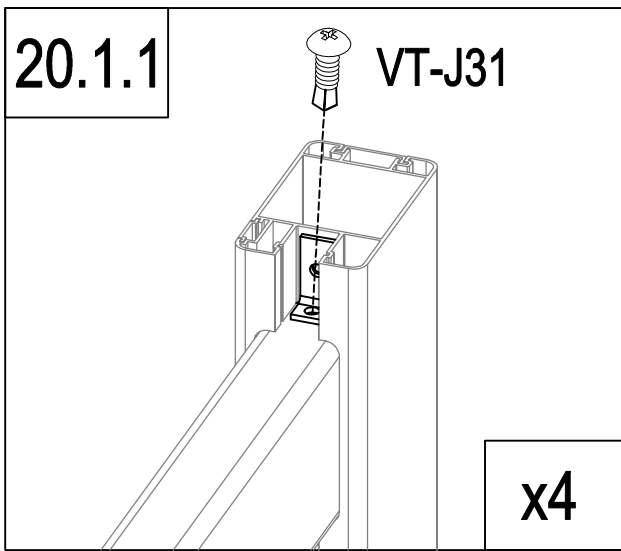
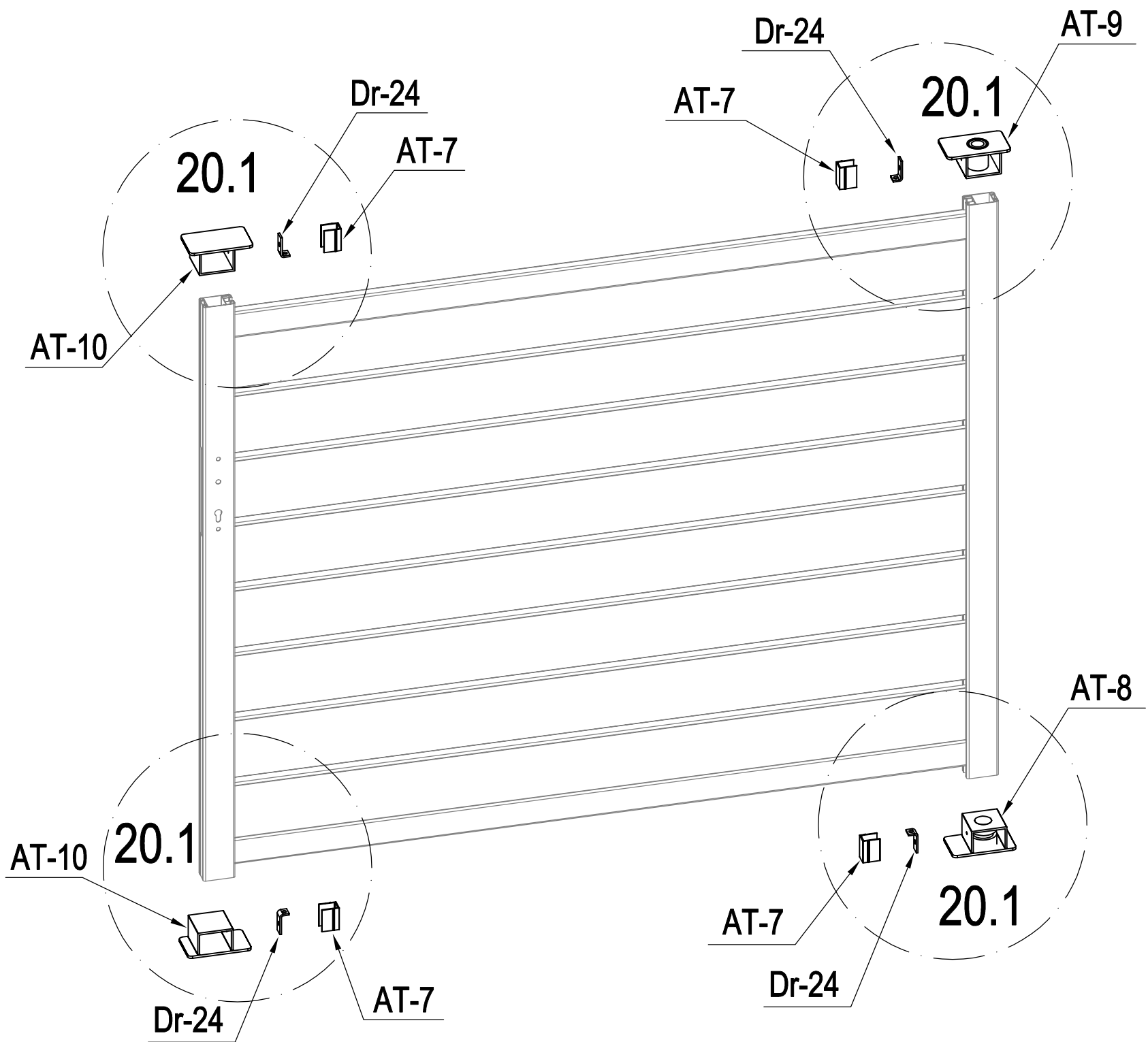


	AT-A11	2
---	---------------	----------



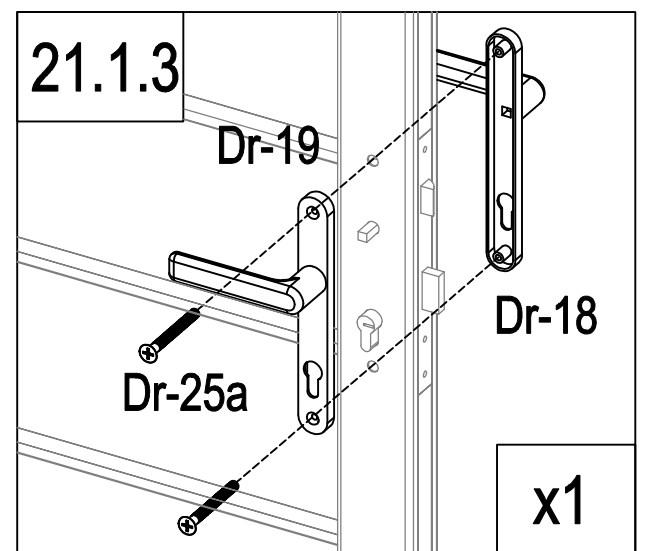
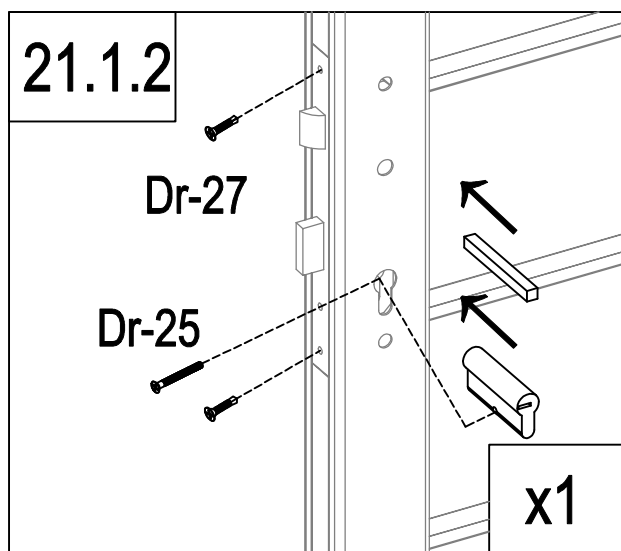
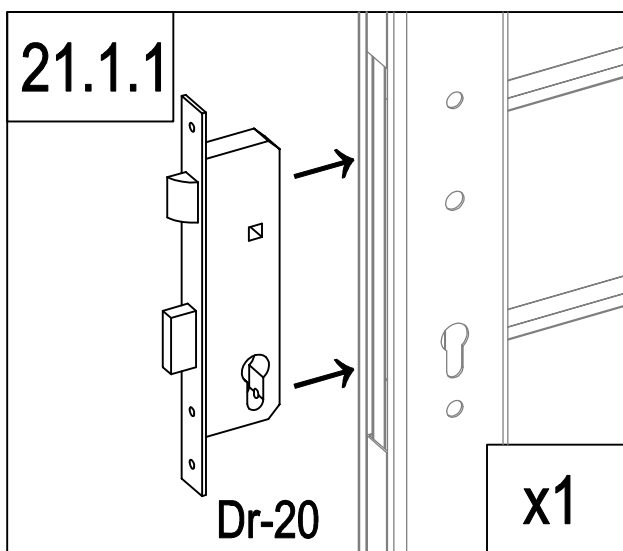
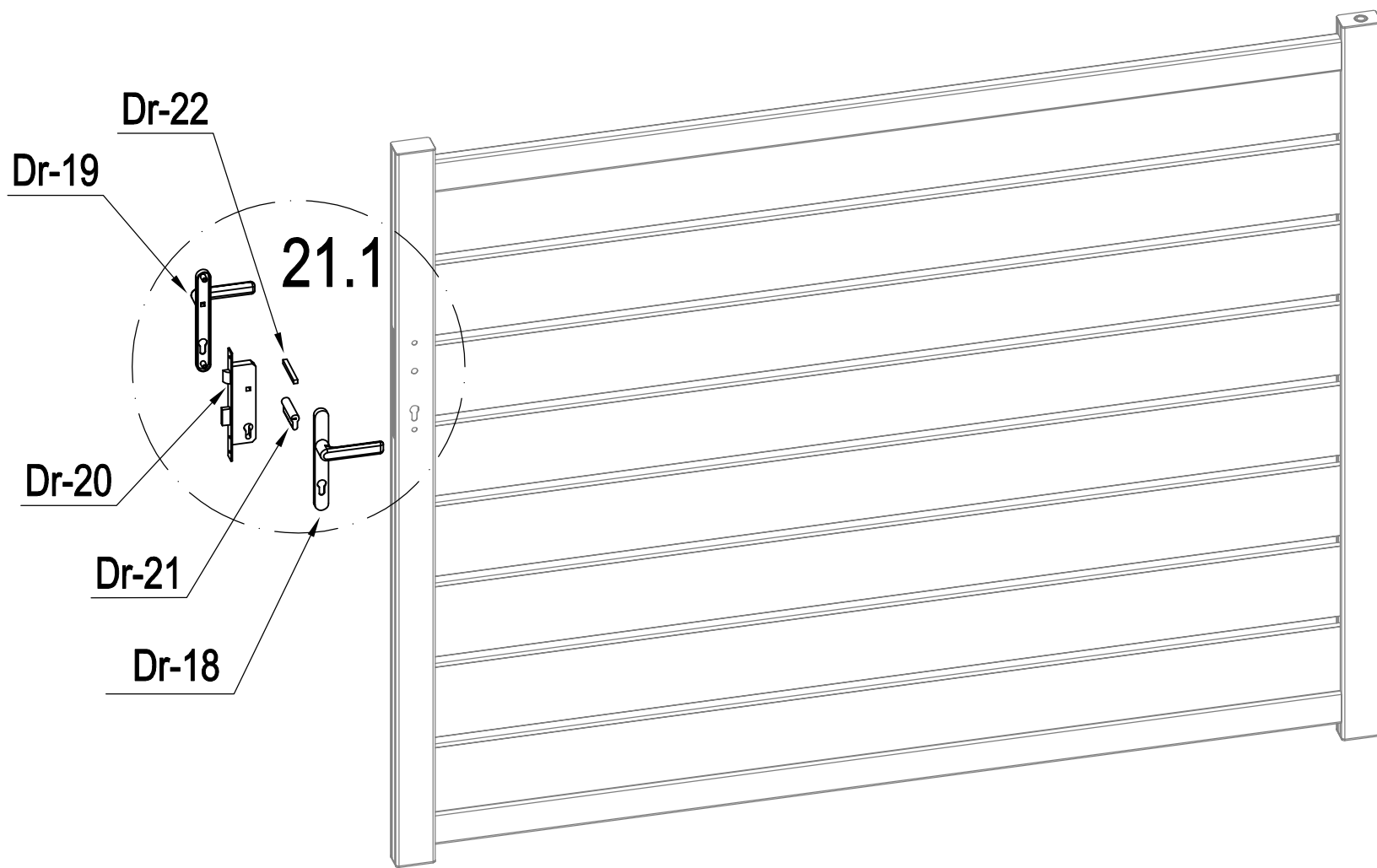
	AT-A5	1
	AT-A5a	1
	Dr-A5b	1





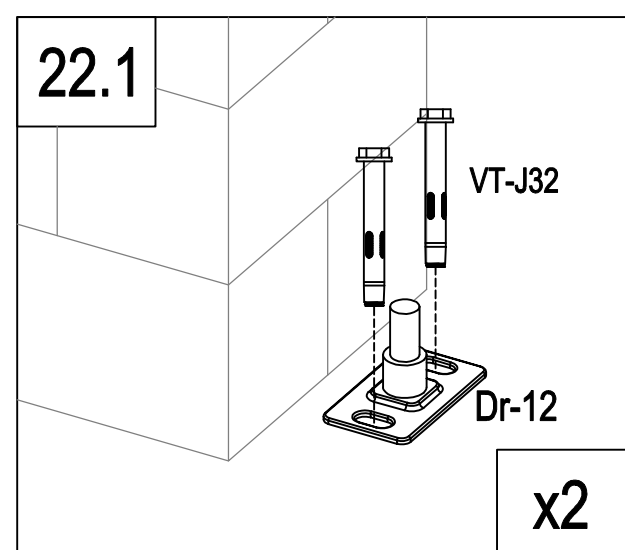
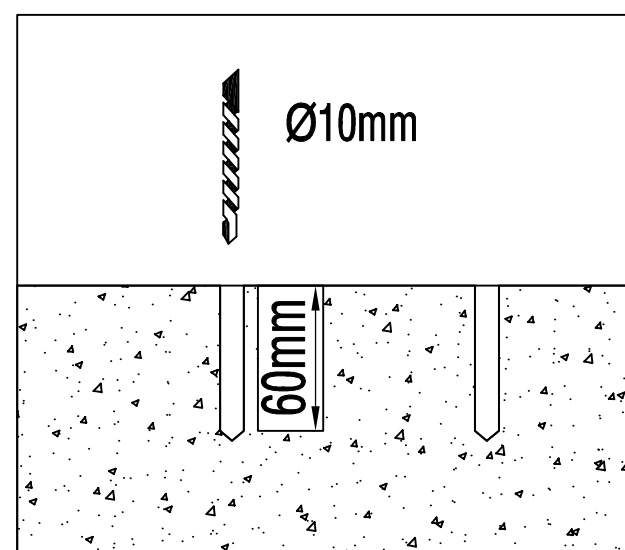
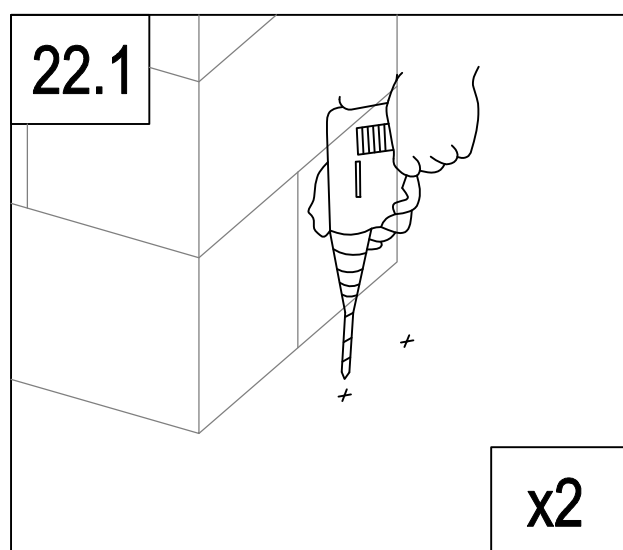
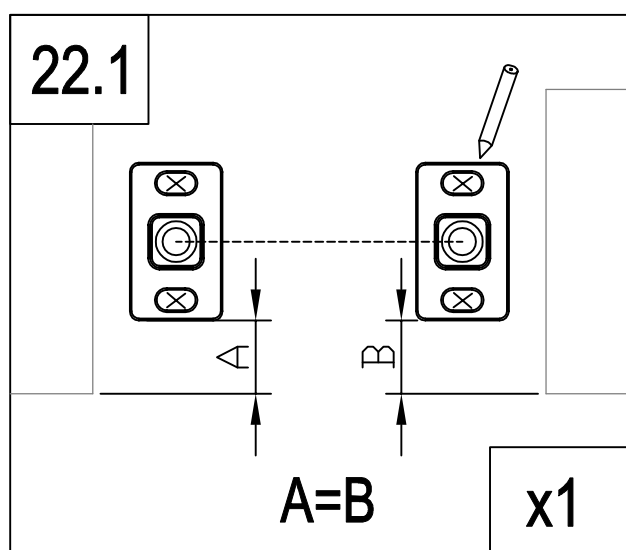
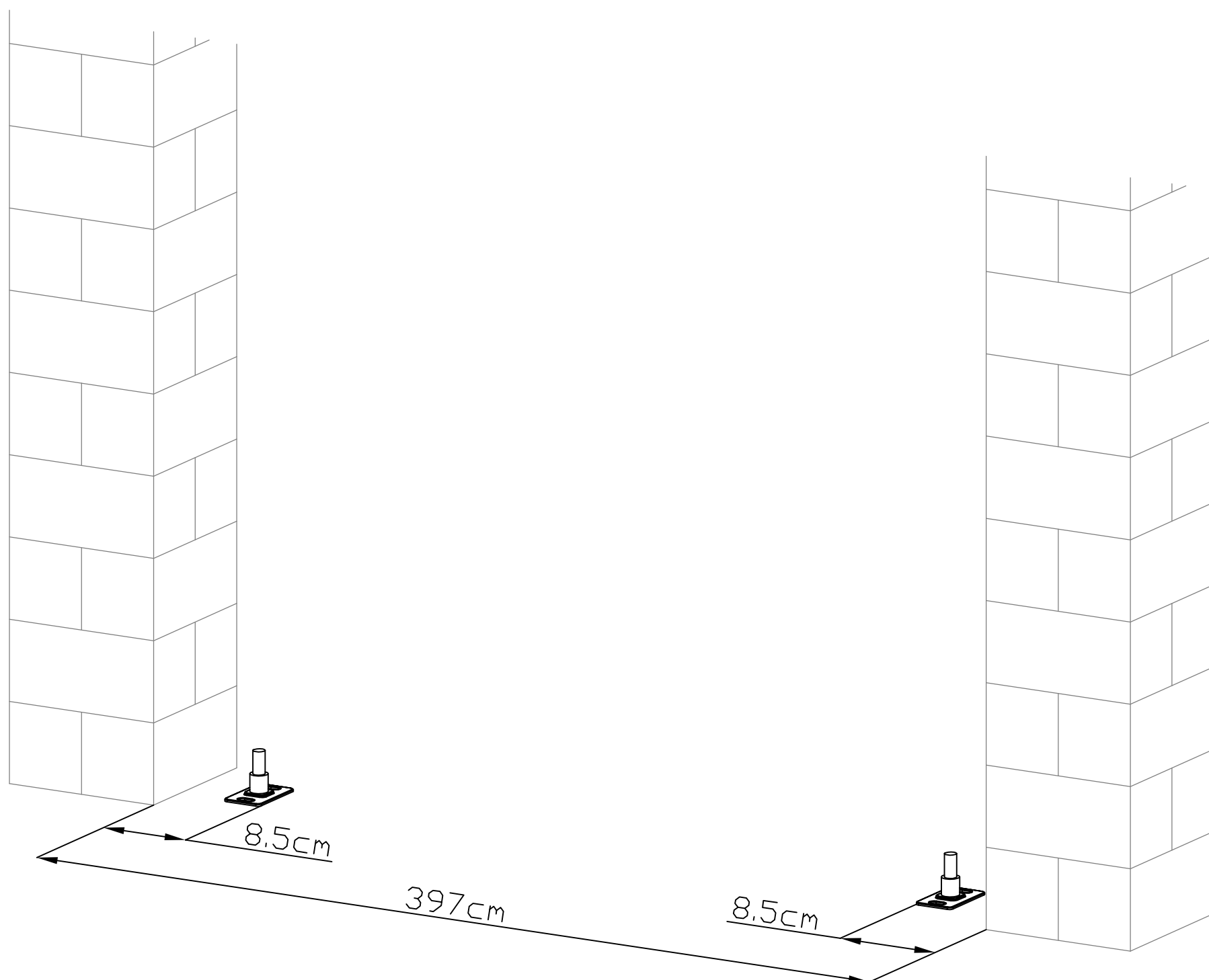
	AT-8	1
	AT-9	1
	AT-10	2
	Dr-24	4

	AT-7	4
	VT-J30	4
	VT-J31	4

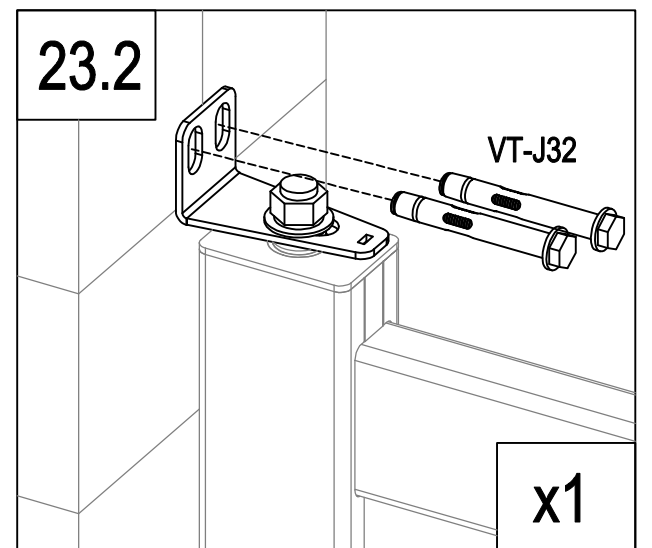
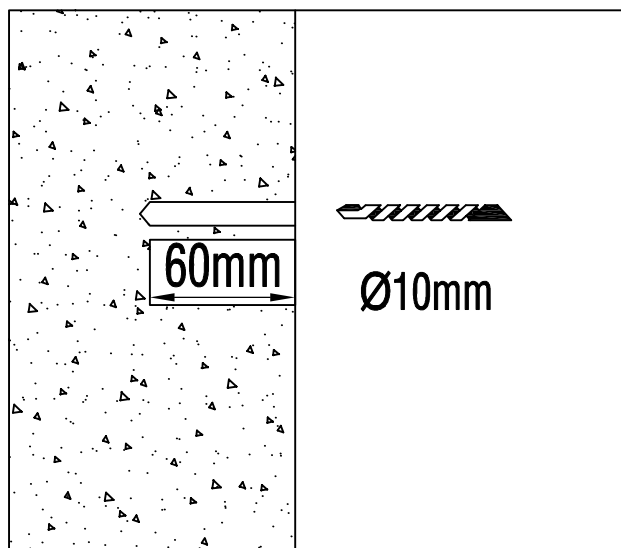
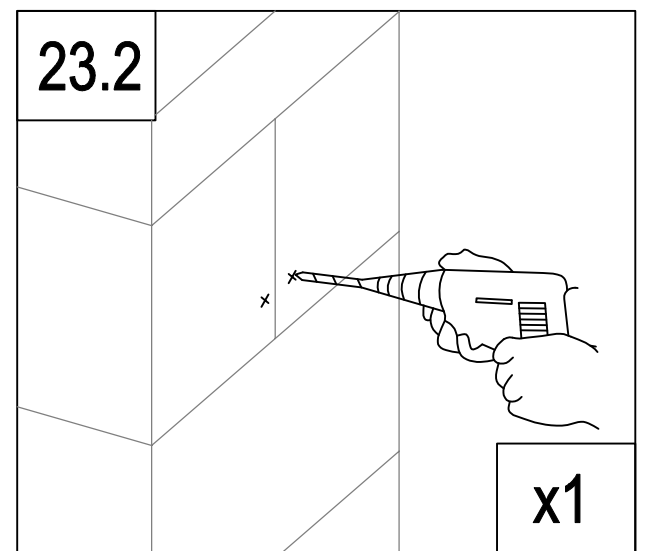
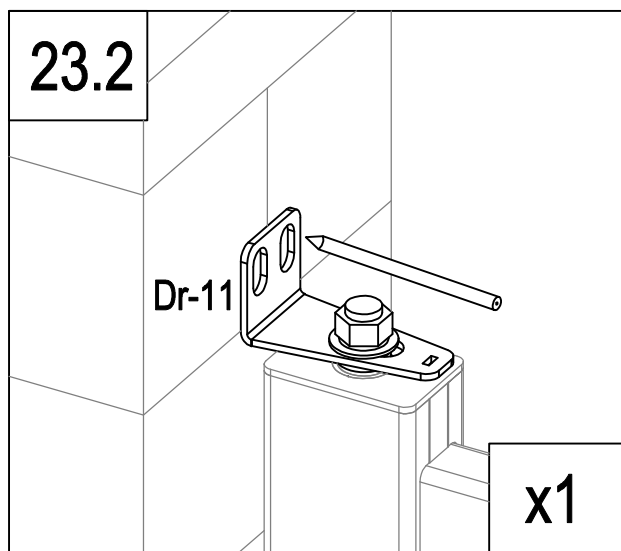
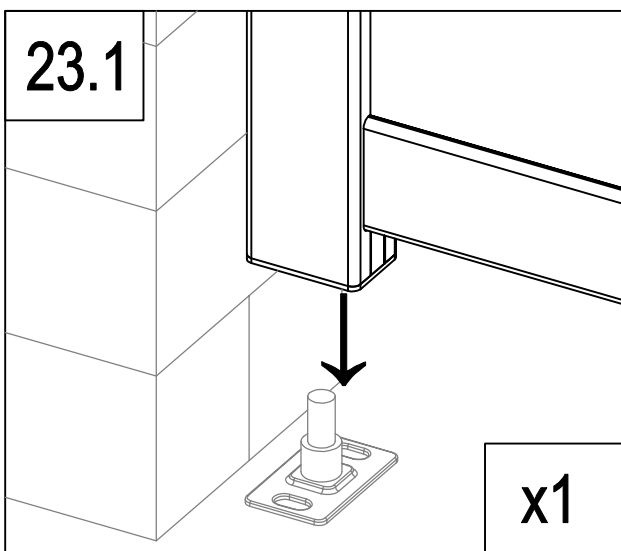
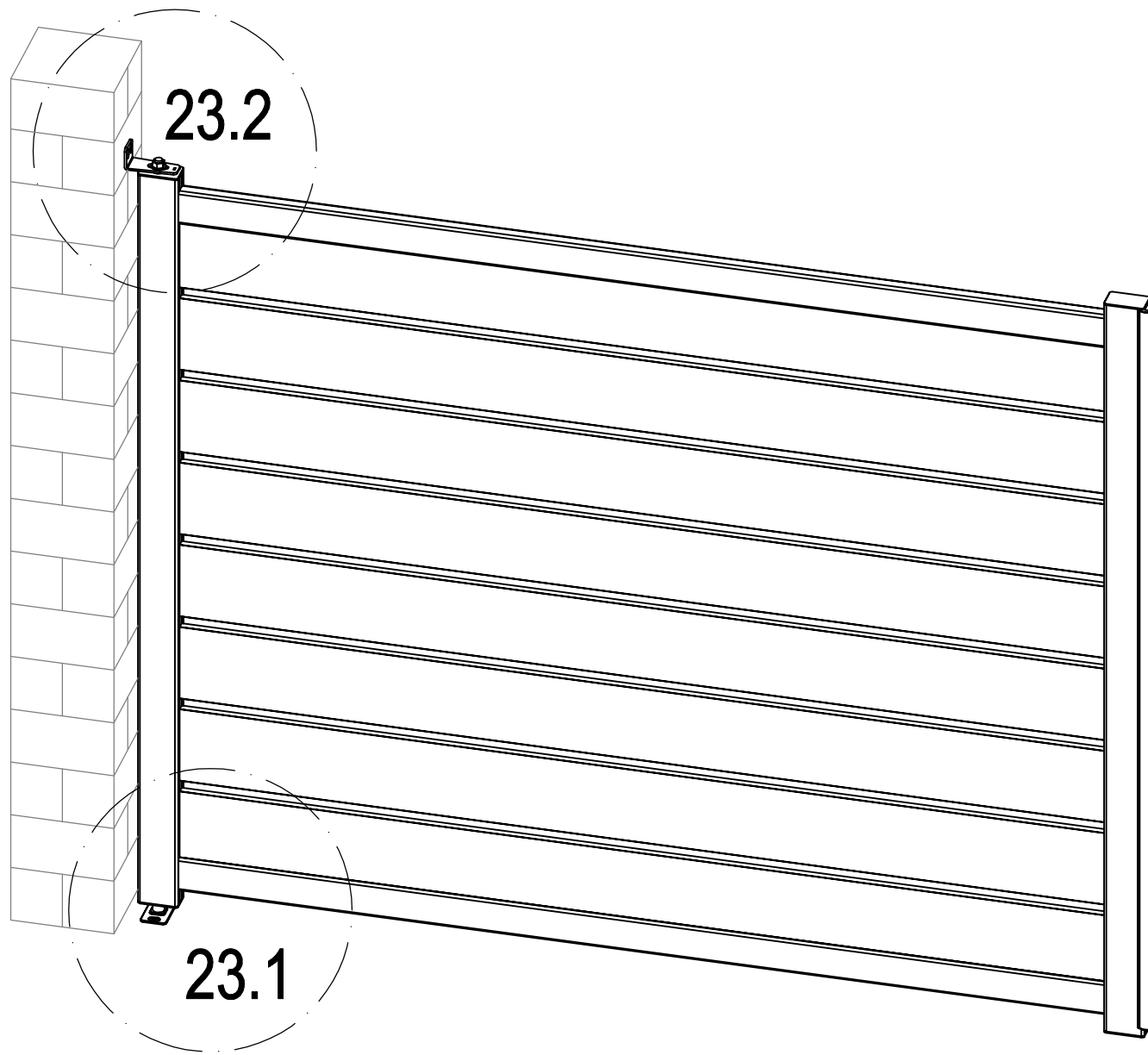


	Dr-20	1
	Dr-21	1
	Dr-22	1
	Dr-25	1

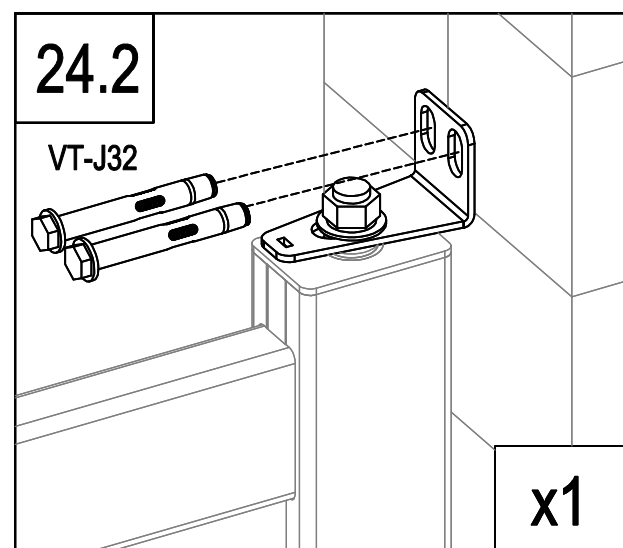
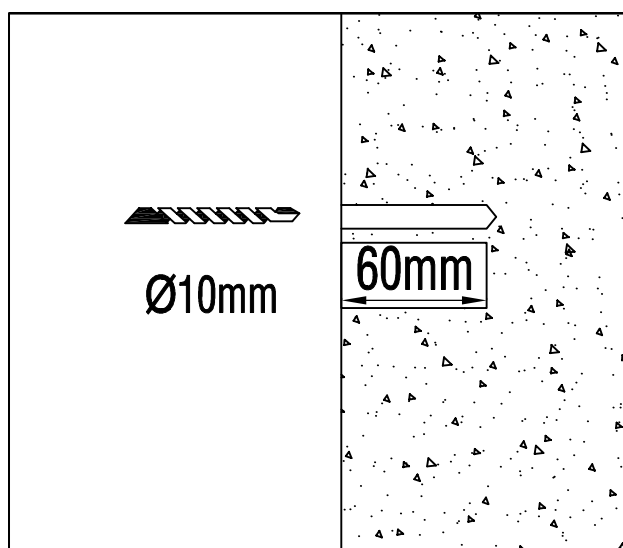
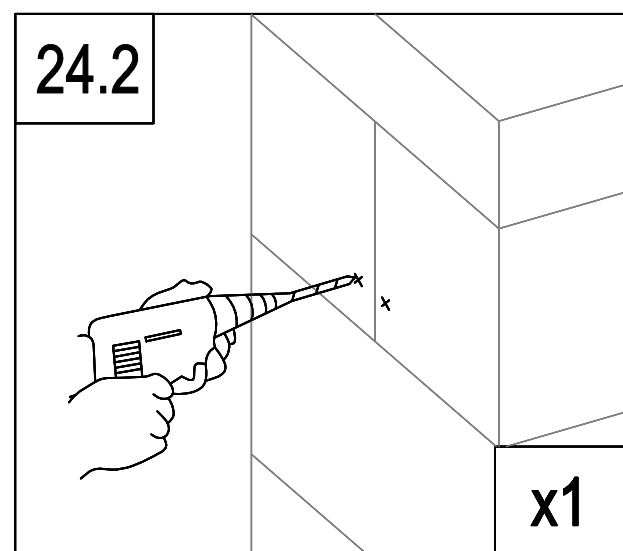
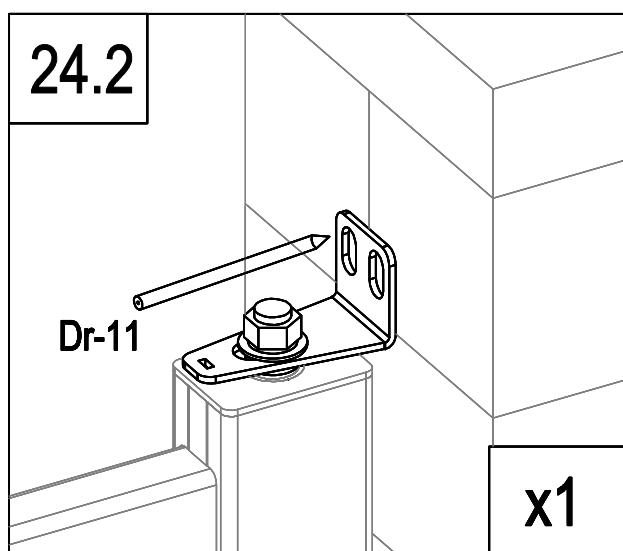
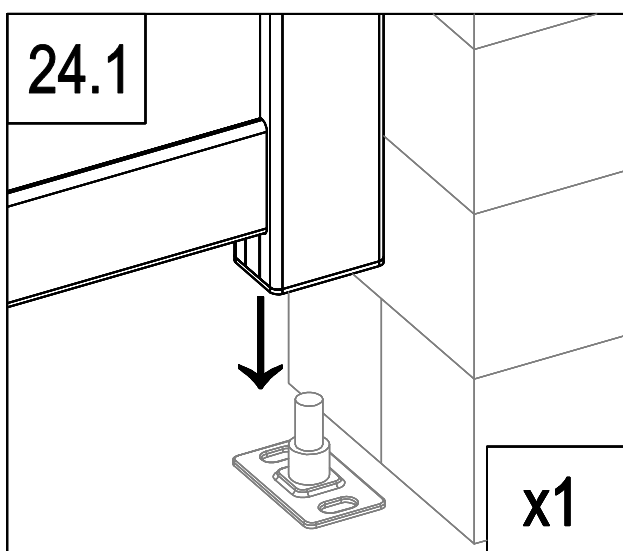
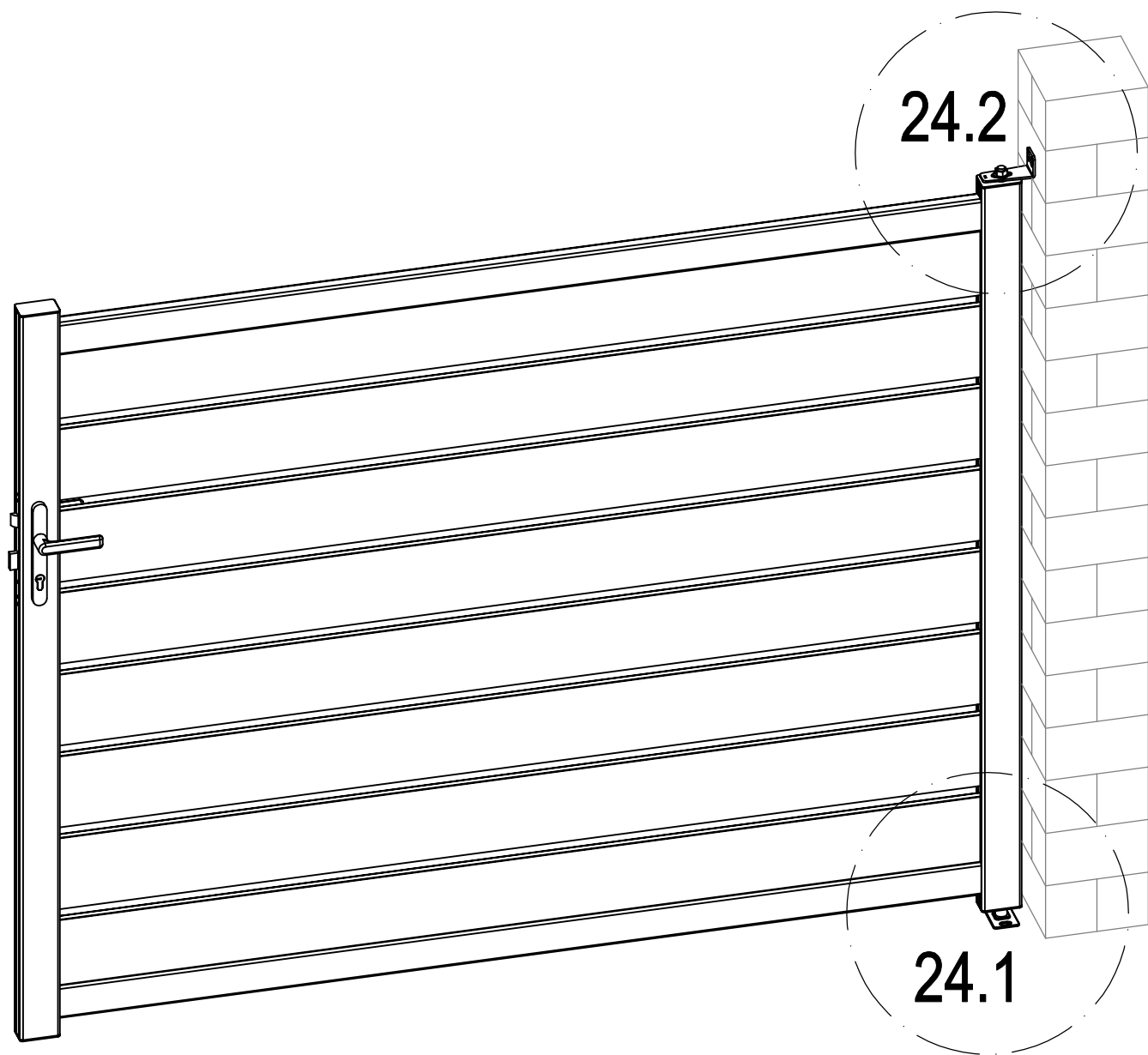
	Dr-18	1
	Dr-19	1
	Dr-25a	2
	Dr-27	2

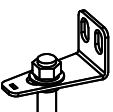



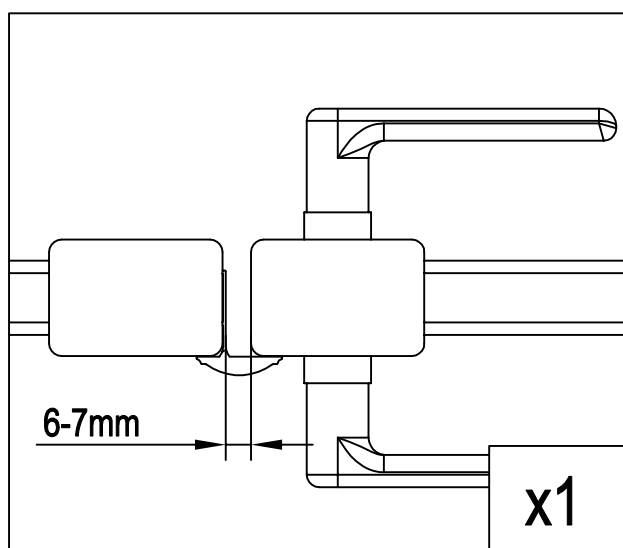
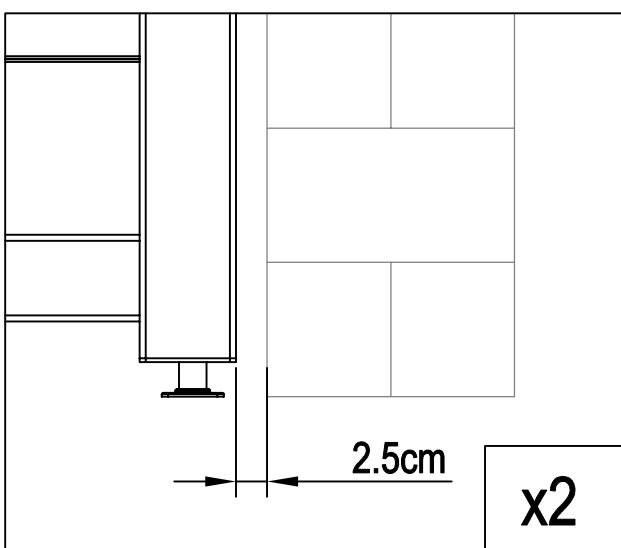
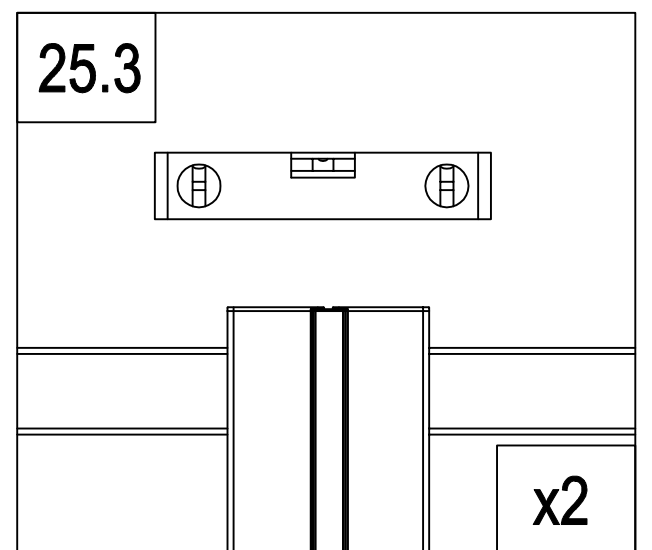
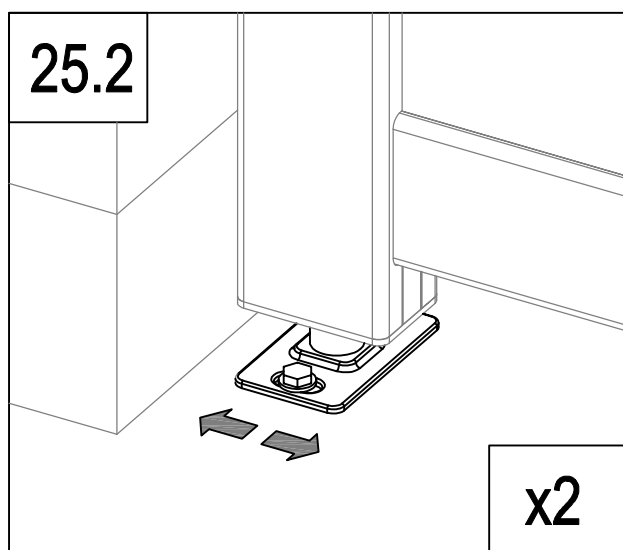
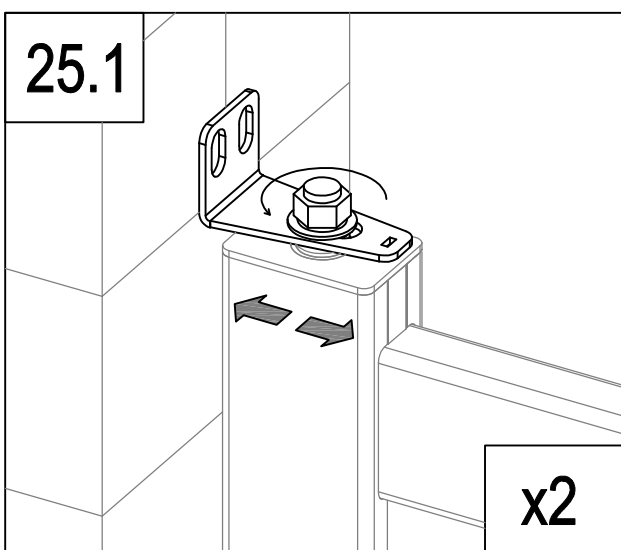
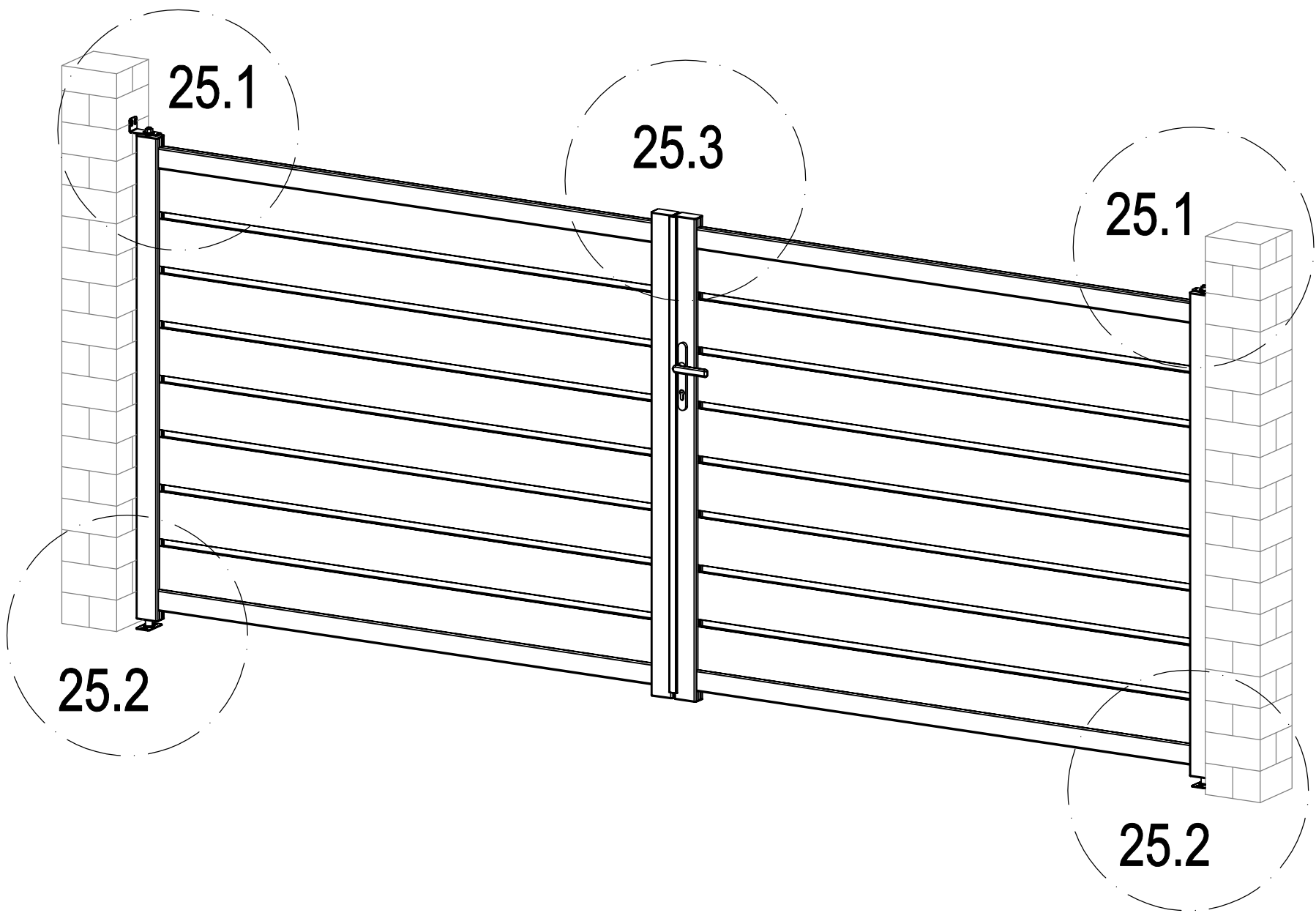
	Dr-12	2
	VT-J32	4

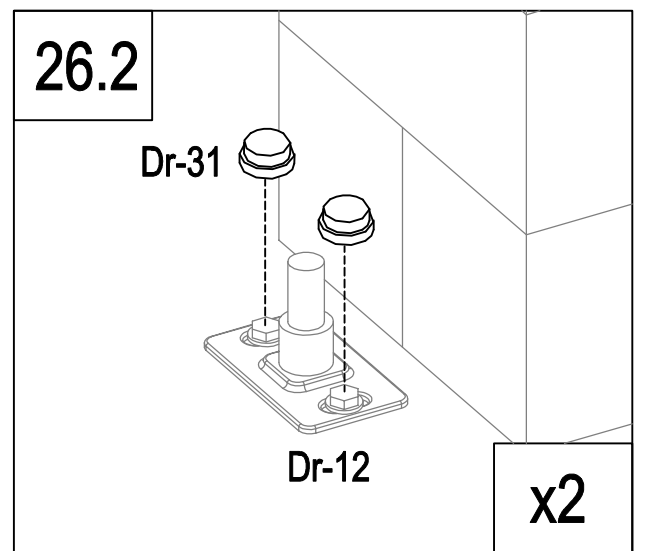
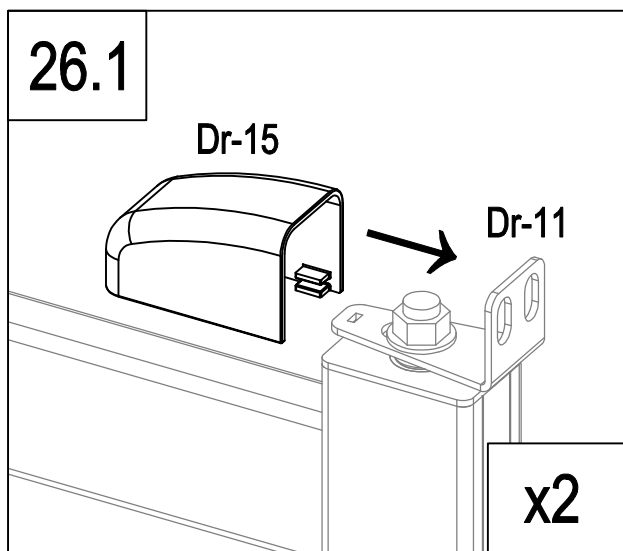
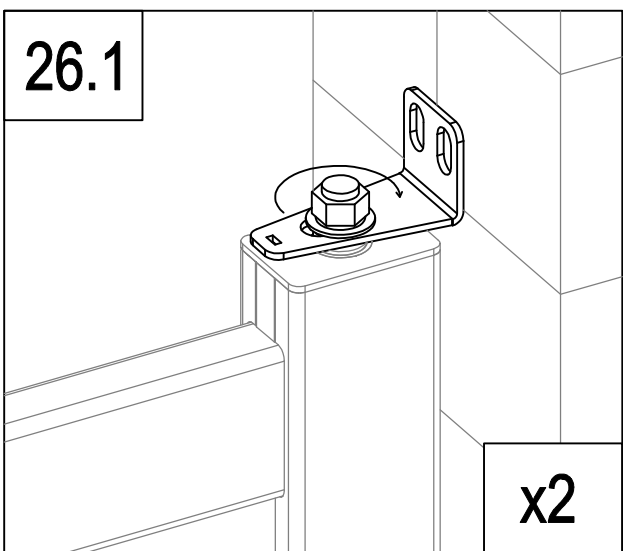
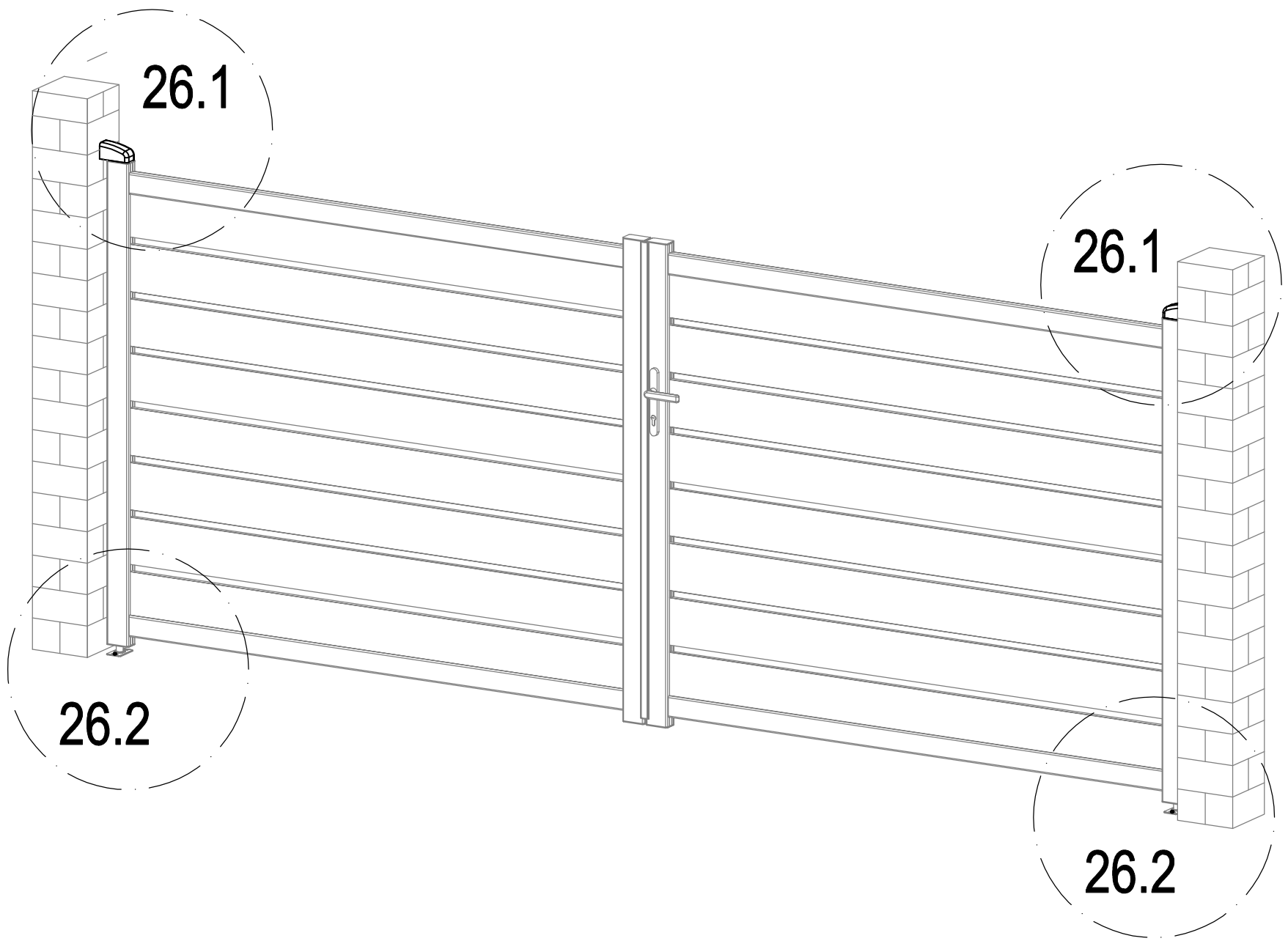


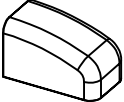

	Dr-11	1
	VT-J32	2

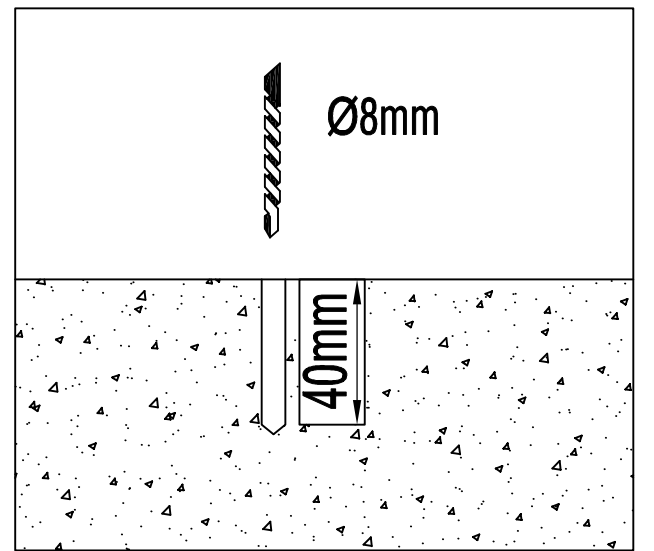
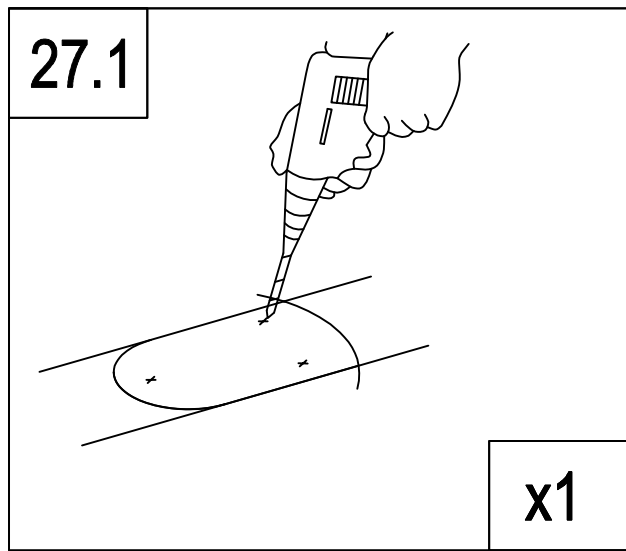
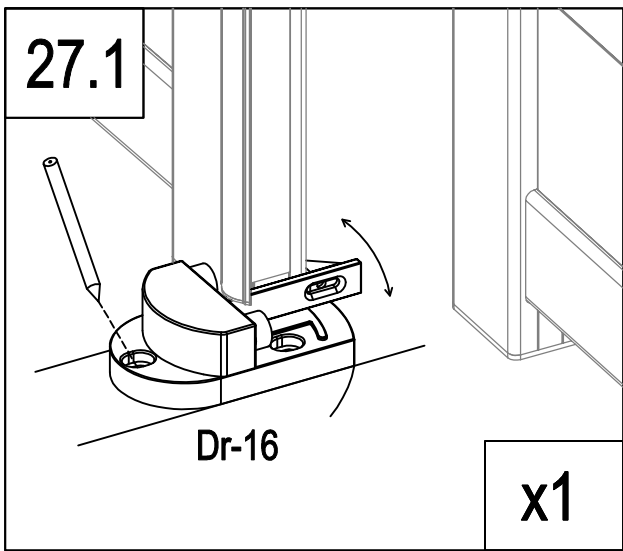
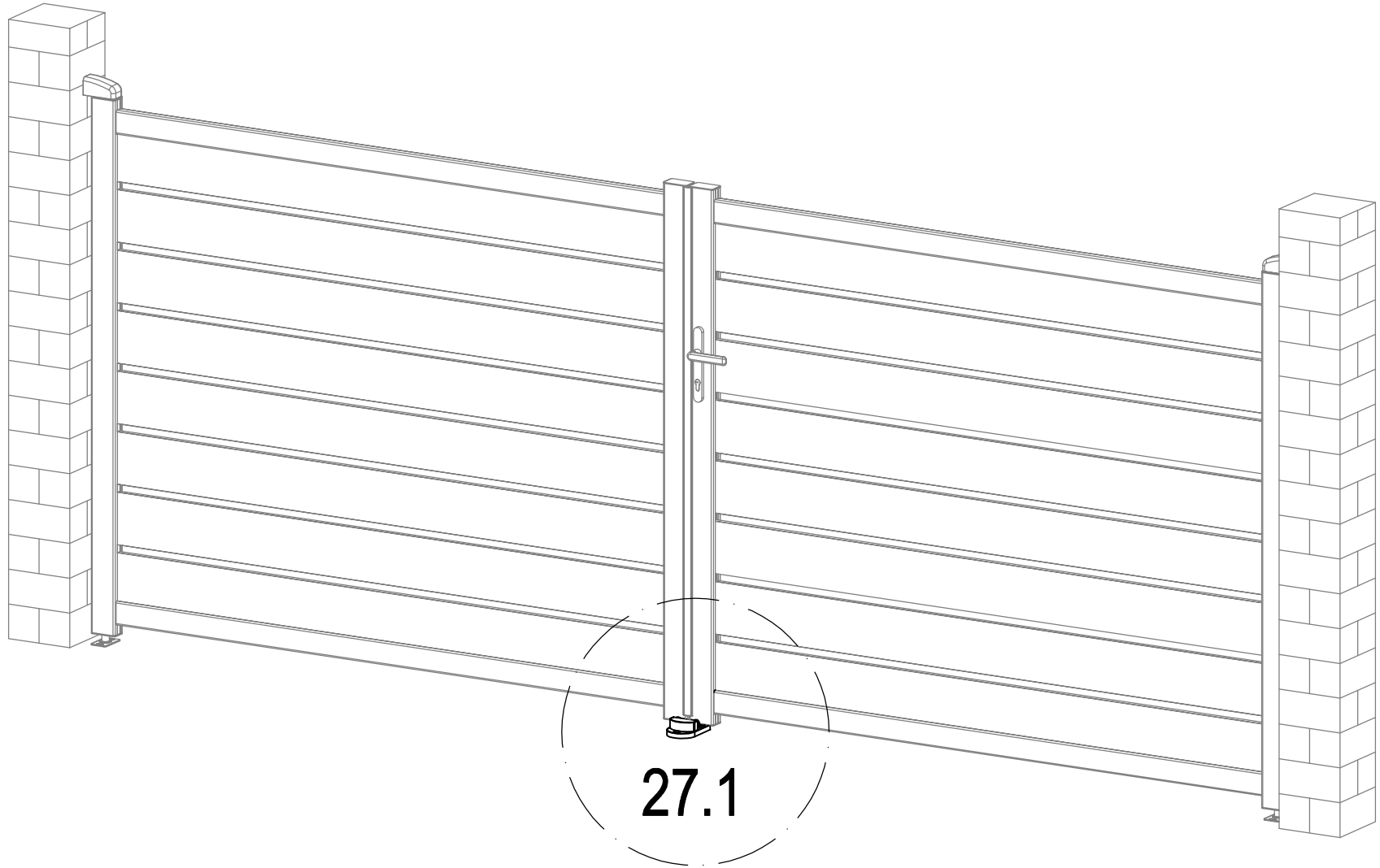


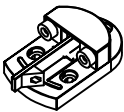


	Dr-11	1
	VT-J32	2

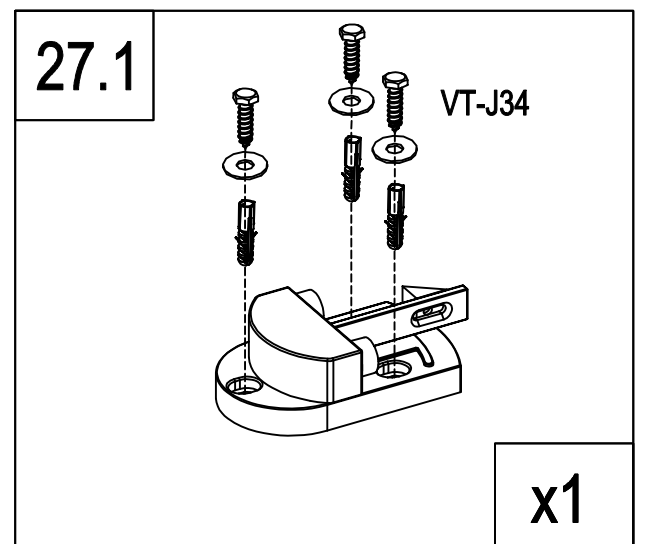


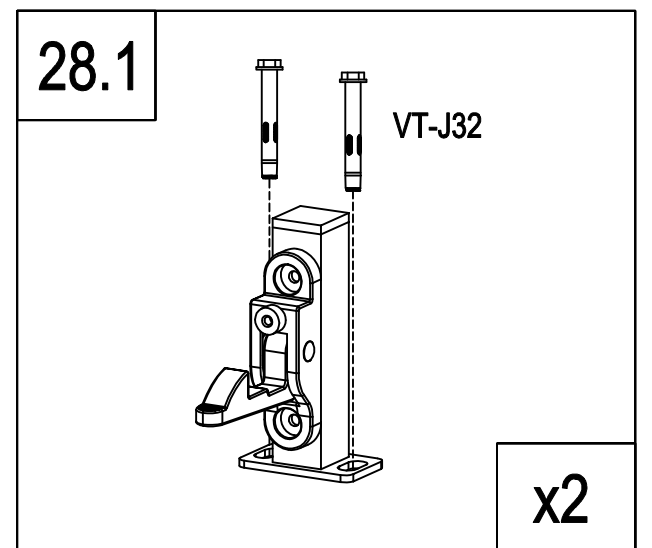
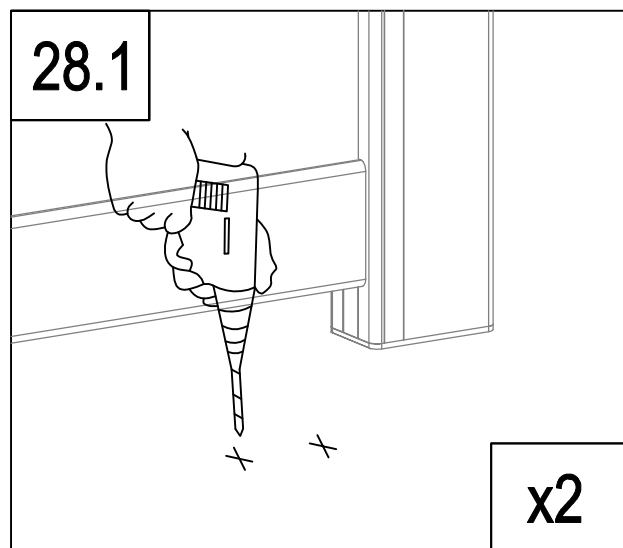
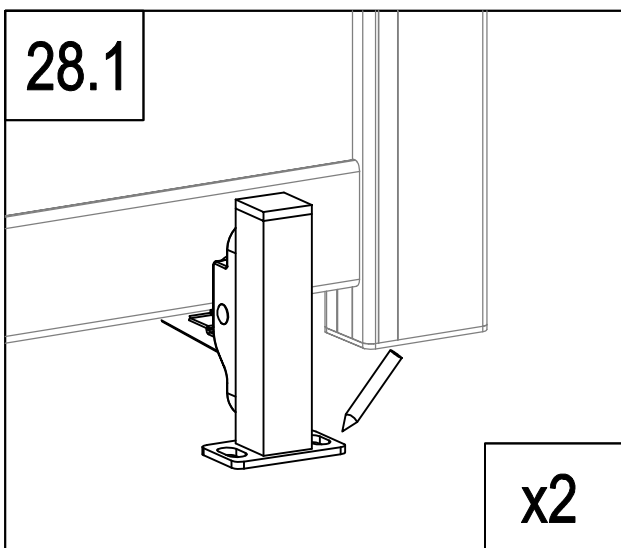
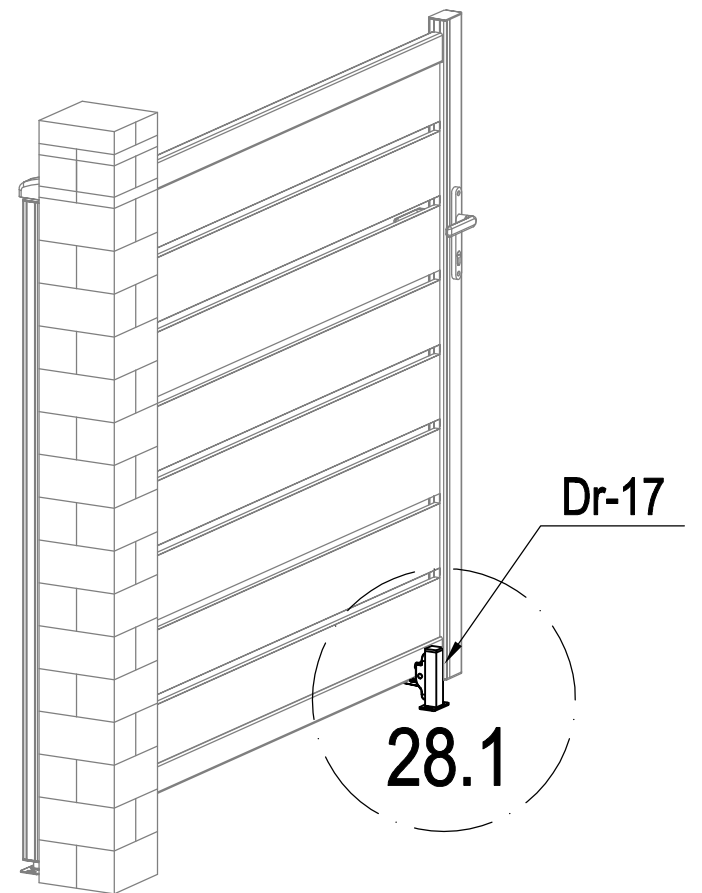
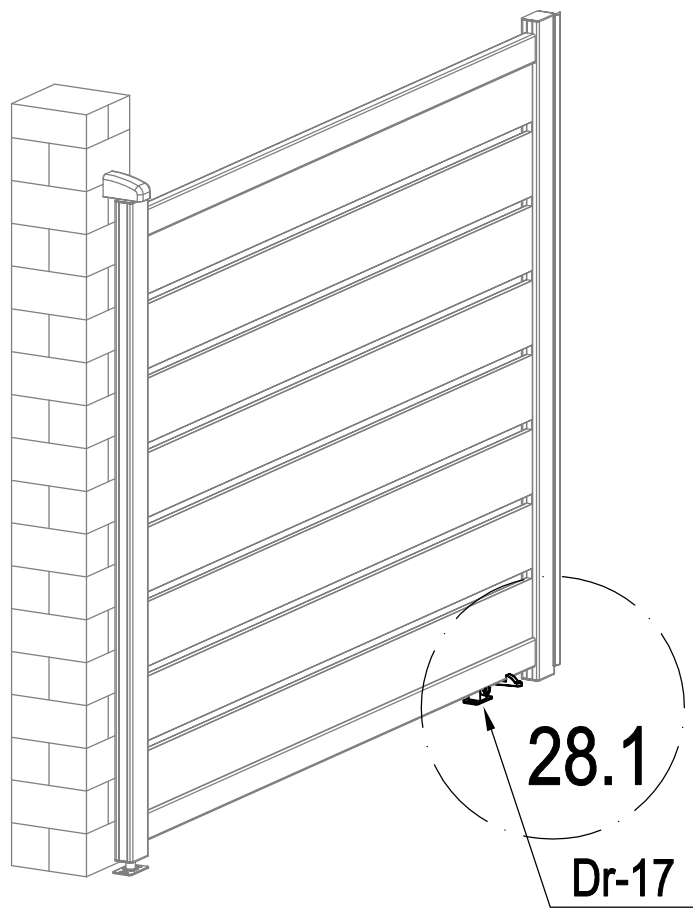




	Dr-15	2
	Dr-31	4



	Dr-16	1
	VT-J34	3
	VT-J35	3





	VT-J32	4
	Dr-17	2